



TS5226
MANURE SPREADER
PARTS BOOK

Part #73356 HSMFG013023 Rev. #09 Starting Ser. #322TS26014

STRONG HERITAGE - STRONG PEOPLE - STRONGER FUTURE



TABLE OF CONTENTS

FIGURE #	CONTENTS	PAGE #
*	INSTRUCTIONS FOR ORDERING PARTS	1
1	AUGER/LINER/SLIDES/HITCH	2-5
2	AUGER DRIVE	6-9
3	EXPELLER/DISCHARGE GATE/BEARINGS	10-11
4	EXPELLER/DISCHARGE GATE/DOOR	12-15
5	EXPELLER/DISCHARGE GATE/PAN	16-19
6	INPUT SHAFT/EXPELLER DRIVE	20-21
7	GUARDS/SHIELDS	22-23
8	SPLASH GUARDS/RAILS	24-25
9	HYDRAULICS	26-27
10	TANDEM AXLES	28-29
11	OILER KIT	30-31
12	FRONT GREASE LINES	32-33
13	LIGHTING	34-35
14	AUGER	36-37
15	AUGER FRONT/REAR HYDRAULIC CYLINDER 2" X 16"	38-39
16	EXPELLER DOOR HYDRAULIC CYLINDER	40-41
17	SCALE	42-43
18	OPTIONAL PTO (540 RPM)	44-45
19	OPTIONAL PTO (1000 RPM)	46-47
20	OPTIONAL TANDEM AXLES	48-49
21	OPTIONAL DISCHARGE DEFLECTOR HYDRAULIC	50-51
22	OPTIONAL ELEC VALVE FOR DISCHARGE DEFLECTOR	52-53
*	PARTS NOTES	54



INSTRUCTIONS FOR ORDERING PARTS

All service parts should be ordered through your authorized H&S dealer. Your Dealership will be able to give you faster service if you will provide them with the following:

1. All references to left or right apply to the machine as viewed from the rear.
2. Parts should not be ordered from illustration only. Please order complete part number.
3. If your dealer has to order parts - give shipping instructions:

VIA truck - large pieces (please specify local truck lines)

VIA United Parcel Service (include full address)

H&S MFG. CO. INC.	
MARSHFIELD, WIS.	
MOD. NO.	<input type="text"/>
SER. NO.	<input type="text"/>
DESCR.	<input type="text"/>

PLEASE RECORD NUMBERS FOR YOUR UNIT FOR QUICK REFERENCE

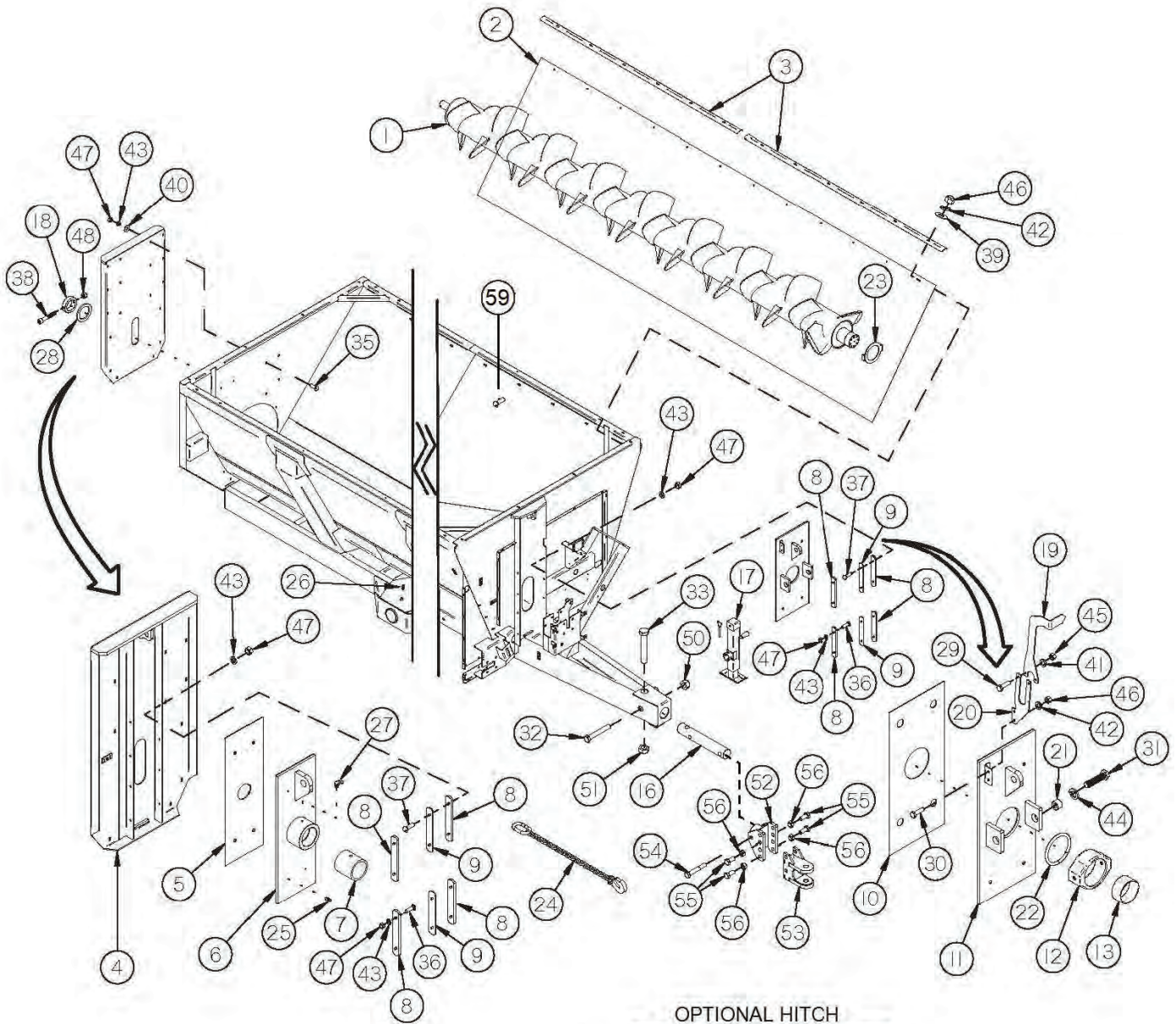
H&S IS CONTINUALLY STRIVING TO IMPROVE ITS PRODUCTS

We must, therefore, reserve the right to make improvements or changes whenever it becomes practical to do so, without incurring any obligation to make changes or additions to the equipment previously sold.





FIGURE 1
AUGER / LINER / SLIDES / HITCH



OPTIONAL HITCH

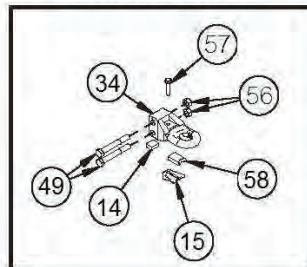




FIGURE 1

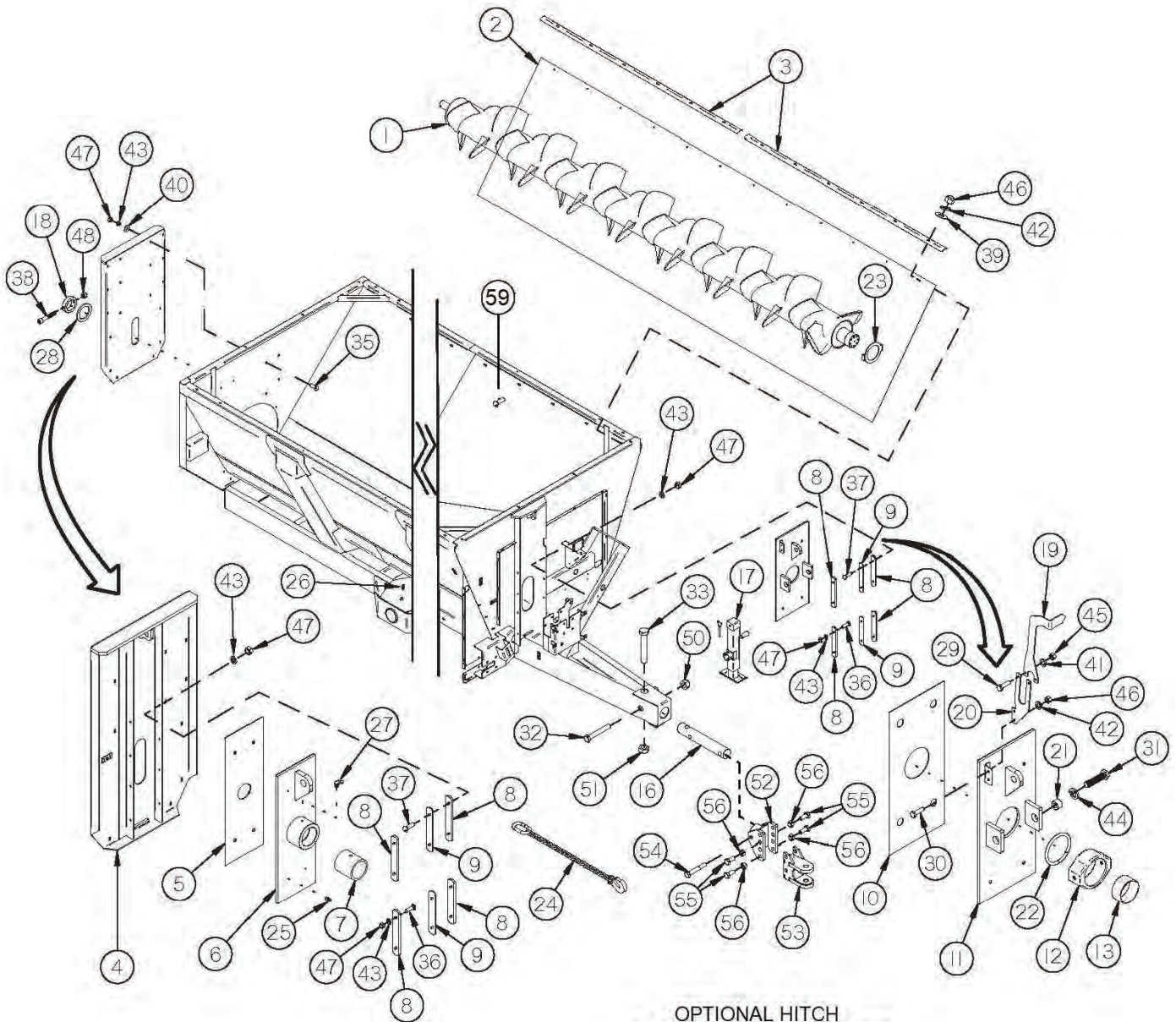
AUGER / LINER / SLIDES / HITCH

REF #	PART #	DESCRIPTION	QTY
1	TS1	AUGER ASSEMBLY	1
2	TS3	WHITE POLY	1
3	TS4	POLY HOLD DOWN, TOP	1
4	TS6	PANEL, REAR	1
5	TS7	SLIDER POLY, REAR	1
6	TS309	SLIDER, REAR	1
7	TS9	POLY BUSHING	1
8	TS10	SLIDER GUIDE	8
9	TS308	SLIDER GUIDE THIN	4
10	TS11	FRONT POLY SIDE	1
11	TS12	FRONT SLIDE PLATE	1
12	TS14	TRUNION HOUSING	1
13	TS15	FRONT AUGER BEARING	1
*	TS399	TRUNION WITH BEARING	1
14	58554	CUSHION	1
15	58559	TOP PLATE	1
16	GM73	HITCH SHAFT	1
17	TS306	JACK	1
18	TS19	AUGER BACK COLLAR	1
19	TS207	AUGER INDICATOR TOP	1
20	TS208	AUGER INDICATOR BOTTOM	1
21	TS330	TRUNION PIVOT BUSHING	2
22	TS33	AUGER SPROCKET RUBBER GASKET SET	1
23	TS102	TRUNION SPACER	1
24	SC40500	SAFETY CHAIN	1
25	G89	GREASE ZERK, 1/4	4
26	BFR28	GREASE ZERK, 1/8	2
27	RG51	GREASE ZERK, 1/4 90 DEGREE	1
28	TS227	SPACER	A/R
*	TS28	SPACER	A/R
29	YBHH08100	BOLT HEX, 1/4 X 3/4 G5	2
30	YBHH10105	BOLT HEX, 5/16 X 3/4 G5	2
31	YBHH20022	BOLT HEX, 5/8 X 1-3/4 G8	2
32	YBHH24083	BOLT HEX, 3/4 X 5 G8	1
33	YBHH32023	BOLT HEX, 1 X 5 G8	1
34	58557	HITCH	1
35	YBCR12010	BOLT CARRIAGE, 3/8 X 1 G5	18
36	YBCR12020	BOLT CARRIAGE, 3/8 X 1-1/4 G5	8
37	YBCR12015	BOLT CARRIAGE, 3/8 X 1-1/2 G5	8





FIGURE 1
AUGER / LINER / SLIDES / HITCH



OPTIONAL HITCH

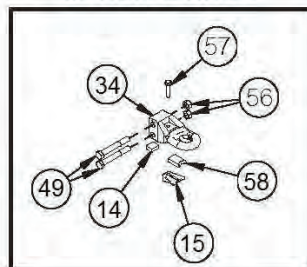




FIGURE 1

AUGER / LINER / SLIDES / HITCH

REF #	PART #	DESCRIPTION	QTY
38	YSHS12018	SCREW SOCKET HEAD, 3/8 X 4	1
39	YWFL10005	WASHER FLAT, 5/16	12
40	YWFL12005	WASHER FLAT, 3/8	18
41	YWLO08005	WASHER LOCK, 1/4	2
42	YWLO10005	WASHER LOCK, 5/16	14
43	YWLO12005	WASHER LOCK, 3/8	34
44	YWLO20005	WASHER LOCK, 5/8	2
45	YNHX08005	NUT HEX, 1/4	2
46	YNHX10005	NUT HEX, 5/16	14
47	YNHX12005	NUT HEX, 3/8	34
48	YNTL12005	NUT HEX, TOP LOCK, 3/8	1
49	YBHH32034	BOLT HEX, 1 X 7-1/2, G8	2
50	YNRL24005	NUT HEX, REVERSIBLE-SIDE LOCK, 3/4	1
51	YNRL32005	NUT HEX, REVERSIBLE-SIDE LOCK, 1	1
52	58532	PINTLE HITCH RECEIVER	1
53	58538	ADJUSTABLE CLEVIS	1
54	YBHH32028	BOLT HEX, 1 X 6-1/2 G8	1
55	YBHH32005	BOLT HEX, 1 X 2-1/2 G5	4
56	YNTL32005	NUT HEX, TOPLOCK, 1	6
57	YBHH24051	BOLT HEX, 3/4 X 3 G5	1
58	58558	V BLOCK	1
59	YBHH10045	BOLT HEX, 5/16 X 1-1/4 G5	12





FIGURE 2
AUGER DRIVE

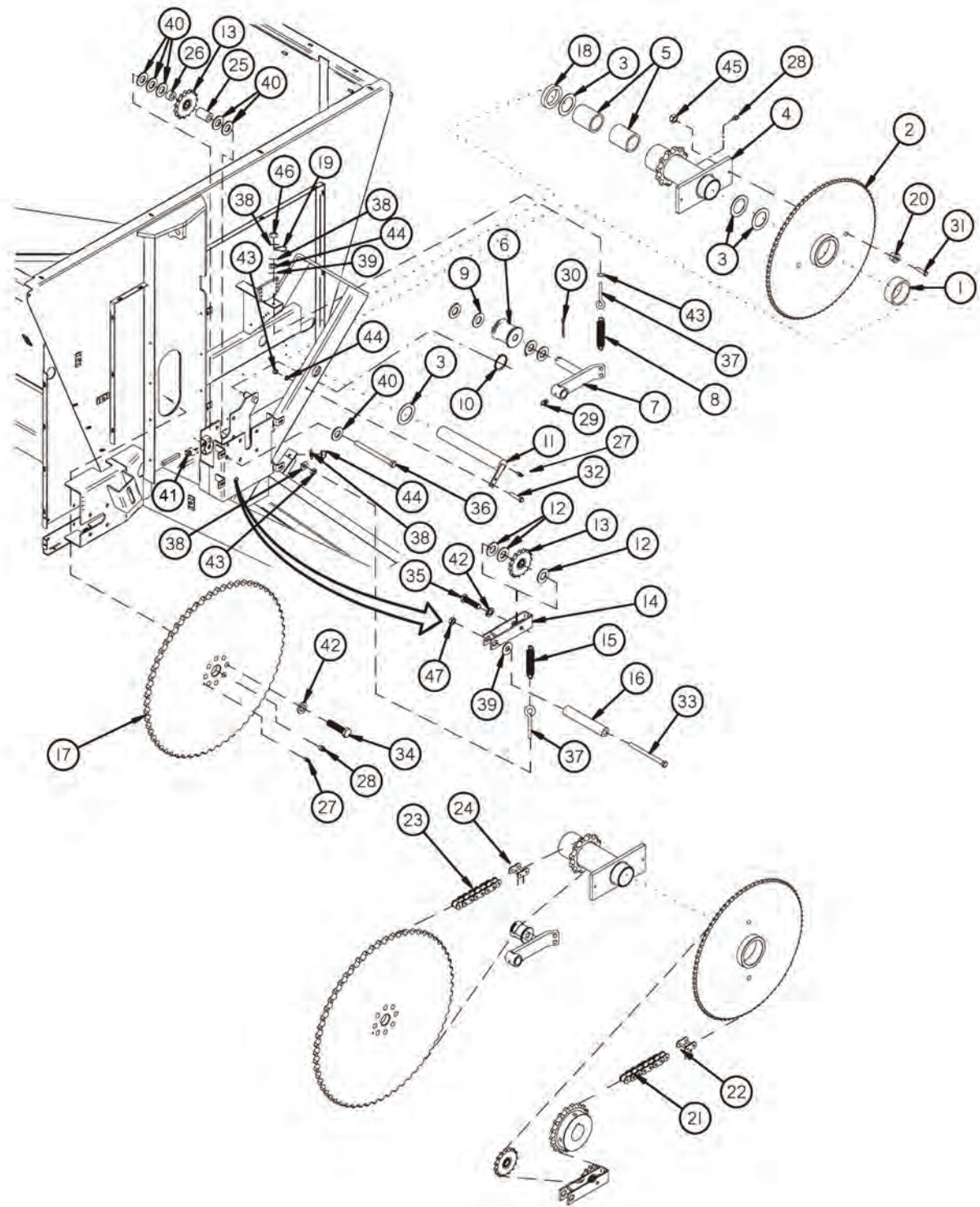




FIGURE 2

AUGER DRIVE

REF #	PART #	DESCRIPTION	QTY
1	TS20	BRONZE BUSHING	1
2	TS21	SPROCKET 80T (540 RPM)	1
*	TS312	SPROCKET 119T (1000 RPM)	1
3	TS22	SPACER	A/R
*	56N183	SPACER	A/R
4	TS23	COUNTER SHAFT	1
5	73572	BUSHING	2
6	TS25	ROLLER IDLER	1
7	TS26	AUGER CHAIN TENSIONER	1
8	BFR138	SPRING	1
9	YWFL32005	WASHER FLAT, SAE 1 ZINC	4
10	3G21	SNAP RING	1
11	73569	SHAFT	1
12	T73	SPACER	A/R
*	16SV49	SPACER	A/R
13	TS29	SPROCKET/IDLER ASSY	2
14	TS30	IDLER ASSY	1
15	ST36	SPRING/EXTENSION	1
*	GM410	SPRING (1000 RPM ONLY)	1
16	TS31	TENSIONER PIVOT TUBE	1
17	TS32	SPROCKET	1
18	TS328	REDUCTION LARGE SPACER	1
19	HGV72	SMALL TUBE HOLDER	1
20	TS34	HARDENED SHEAR BUSHING	2
21	TS39	ROLLER CHAIN 60HX138 540 RPM 18T&15T SPRCKT	1
*	TS360	ROLLER CHAIN 60HX136 540 RPM 13T SPRCKET	1
*	TS361	ROLLER CHAIN 60HX140 540 RPM 20T SPRCKET	1
*	TS313	ROLLER CHAIN 60HX166 1000 RPM 15T SPRCKET	1
*	TS362	ROLLER CHAIN 60HX165 1000 RPM 13T SPRCKET	1
*	TS363	ROLLER CHAIN 60HX167 1000 RPM 16T SPRCKET	1
22	TS40	CONNECTOR LINK #60H	1
23	TS41	ROLLER CHAIN #100HE X 75	1
24	TS42	CONNECTOR LINK #100H	1
25	TS396	IDLER FRONT SPACER	1
26	TS397	IDLER REAR SPACER	1
27	G89	SRAIGHT ZERK, 1/4 90 DEGREE	2
28	BFR28	GREASE ZERK, 1/8	2
29	RG51	GREASE ZERK, 1/4 90 DEGREE	1
30	YPCT06005	COTTER PIN, 3/16 X 1-1/2	1





FIGURE 2
AUGER DRIVE

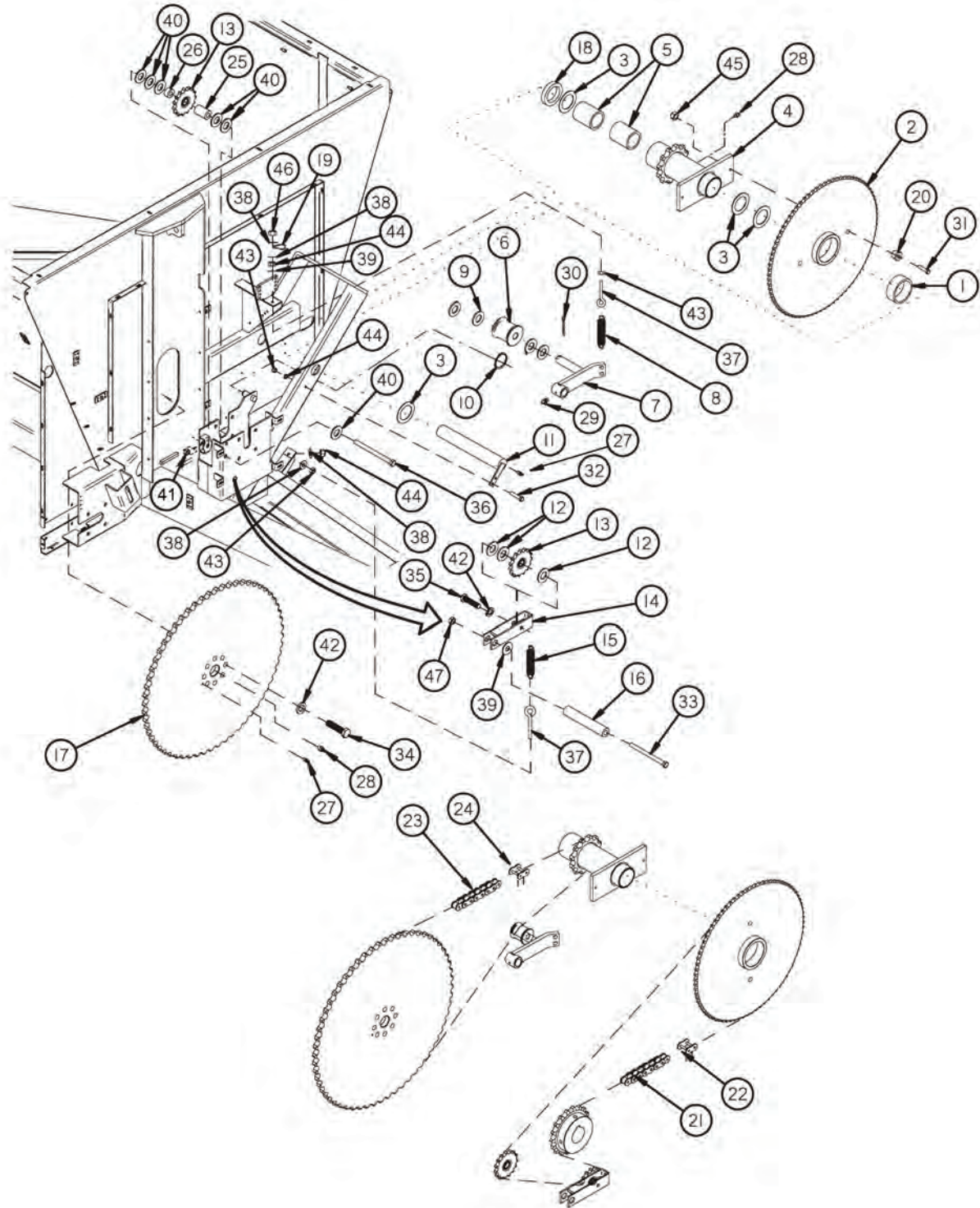




FIGURE 2
AUGER DRIVE

REF #	PART #	DESCRIPTION	QTY
31	YBHH10036	BOLT HEX, 5/16 X 1-1/2 G8	6
32	YBHH12100	BOLT HEX, 3/8 X 2-1/4 G5	1
33	YBHH16175	BOLT HEX, 1/2 X 6-1/2 G5	1
34	YBHH20036	BOLT HEX, 5/8 X 2-1/2 G8	8
35	YBHH20025	BOLT HEX, 5/8 X 2 G5	1
36	YBHH20100	BOLT HEX, 5/8 X 6 G5	1
37	YBTE12025	BOLT TURNED EYE, 3/8 X 3	2
38	YWFL12005	WASHER FLAT, 3/8	4
39	YWFL16005	WASHER FLAT, 1/2	2
40	YWFL20005	WASHER FLAT, 5/8	A/R
41	YNTJ20005	NUT HEX, TOP LOCK, JAM, 5/8	1
42	YWLO20005	WASHER LOCK, 5/8	9
43	YNHX12005	NUT HEX, 3/8	3
44	YNNY12005	NUT HEX, NYLON LOCKNUT, 3/8	2
45	YNTL10005	NUT HEX, TOP LOCK, 5/16	6
46	YNTL12005	NUT HEX, TOP LOCK, 3/8	1
47	YNTJ16005	NUT HEX, TOP LOCK, JAM, 1/2	1
			1



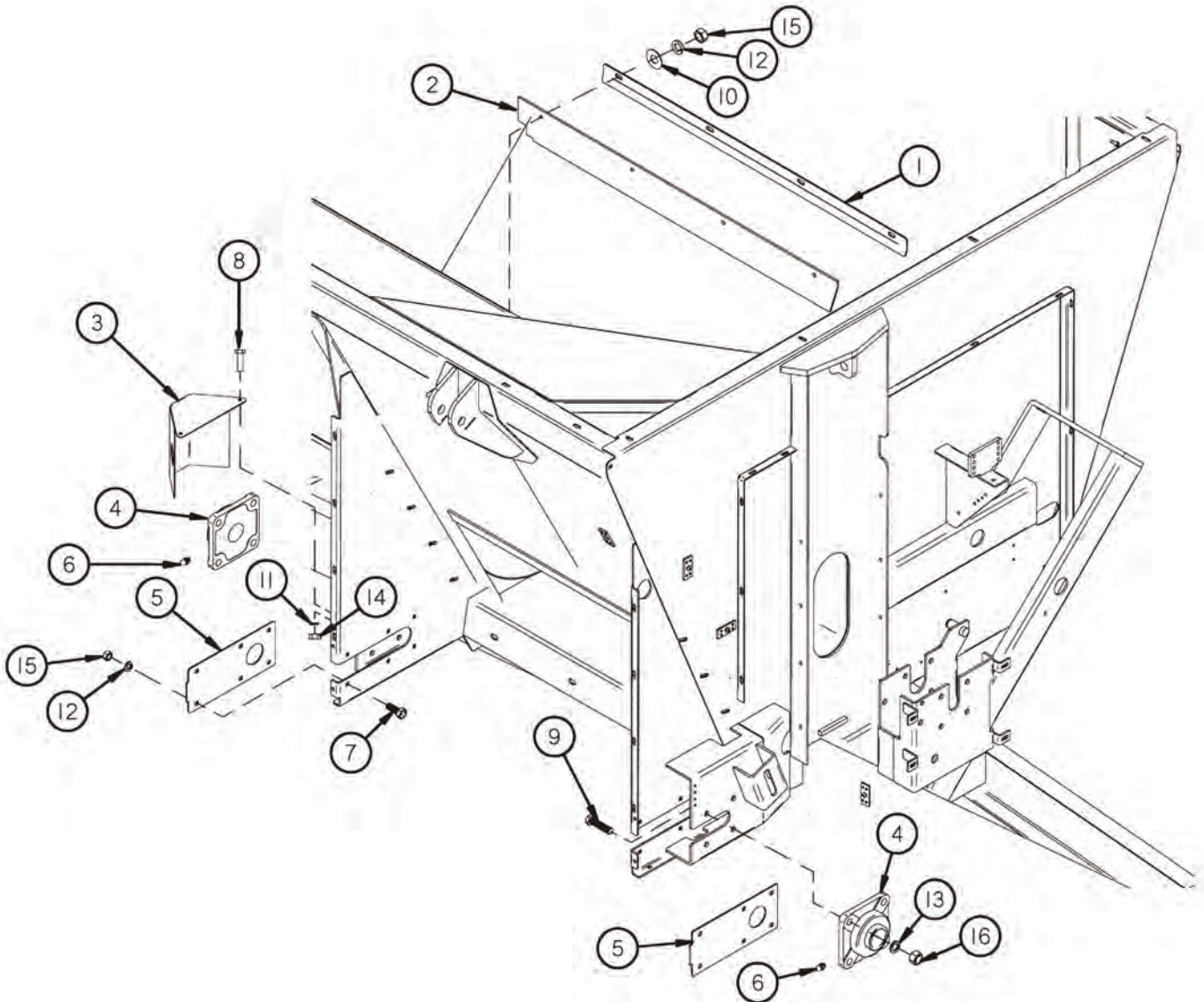




FIGURE 3

EXPELLER / DISCHARGE GATE / BEARINGS

REF #	PART #	DESCRIPTION	QTY
1	TS43	DOOR SEAL CLAMP	1
2	TS44	EXPELLER DOOR TOP SEAL	1
3	TS45	EXPELLER BEARING SHIELD	1
4	HGV41	EXPELLER BEARING	2
5	TS47	COVER PLATE	2
6	G89	GREASE ZERK, 1/4	2
7	YBCR12010	BOLT CARRIAGE, 3/8 X 1 G5	12
8	YBHH08100	BOLT HEX, 1/4 X 3/4 G5	2
9	YBHH18010	BOLT HEX, 9/16 X 1-3/4 G5	8
10	YWFL12005	WASHER FLAT, 3/8	4
11	YWLO08005	WASHER LOCK, 1/4	2
12	YWLO12005	WASHER LOCK, 3/8	16
13	YWLO18005	WASHER LOCK, 9/16	8
14	YNHX08005	NUT HEX, 1/4	2
15	YNHX12005	NUT HEX, 3/8	16
16	YNHX18005	NUT HEX, 9/16	8





FIGURE 4
EXPELLER / DISCHARGE GATE / DOOR

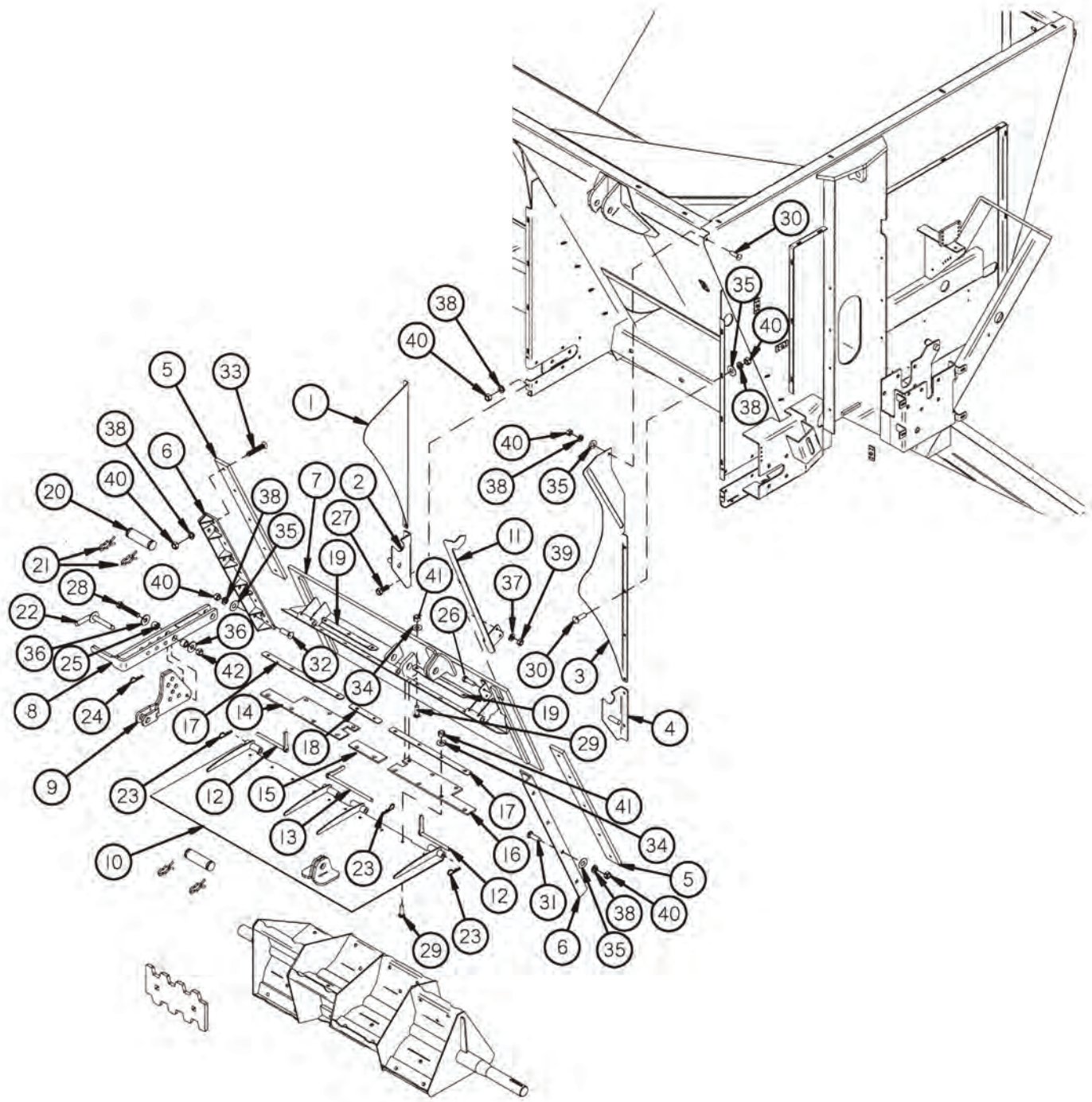




FIGURE 4

EXPELLER / DISCHARGE GATE / DOOR

REF #	PART #	DESCRIPTION	QTY
1	TS48	EXPELLER PANEL EXTENSION LH	1
2	TS49	PAN HINGE BRACKET RH	1
3	TS50	EXPELLER PANEL EXTENSION RH	1
4	TS51	PAN HINGE BRACKET RH	1
5	TS52	DOOR SLIDER POLY	2
6	TS53	EXPELLER DOOR GUIDE	2
7	84592	EXPELLER DOOR	1
8	TS55	DEFLECTOR ADJUSTMENT HANDLE	1
9	84598	DEFLECTOR ADJUSTMENT LINK	1
10	84594	ADJUSTABLE FLAT DEFLECTOR	1
11	TS58	DOOR INDICATOR	1
12	TS59	DEFLECTOR SIDE PIN	2
13	TS60	DEFLECTOR MID PIN	1
14	TS61	DEFLECTOR SEAL LH	1
15	TS62	MID DEFLECTOR SEAL	1
16	TS63	DEFLECTOR SEAL RH	1
17	TS64	SEAL STRAP LONG	2
18	TS65	SEAL STRAP MID	1
19	TS66	SEAL STRAP SHORT	2
20	T143	CYLINDER PIN	2
21	T144	CLIP PIN	4
22	TS69	DEFLECTOR HANDLE PIN	1
23	YPHR02005	HAIR PIN	3
24	WM378	HAIR PIN W/ LANYARD	1
25	TS307	HANDLE PIVOT	2
26	YBHH10105	BOLT HEX, 5/16 X 3/4 G5	2
27	YBHH12010	BOLT HEX, 3/8 X 1 G5	4
28	YBHH16105	BOLT HEX, 1/2 X 3 G5	1
29	YBCR10010	BOLT CARRIAGE, 5/16 X 1 G5	16
30	YBCR12010	BOLT CARRIAGE, 3/8 X 1 G5	9
31	YBCR12020	BOLT CARRIAGE, 3/8 X 1-1/4 G5	7
32	YBCR12015	BOLT CARRIAGE, 3/8 X 1-1/2 G5	1
33	YSFS12005	SCREW SOCKET HEAD, 3/8 X 1-1/4	10
34	YWFL10005	WASHER FLAT, 5/16	16
35	YWFL12005	WASHER FLAT, 3/8	17
36	YWFL16005	WASHER FLAT, 1/2	2
37	YWLO10005	WASHER LOCK, 5/16	2
38	YWLO12005	WASHER LOCK, 3/8	31
39	YNHX10005	NUT HEX, 5/16	2





FIGURE 4
EXPELLER / DISCHARGE GATE / DOOR

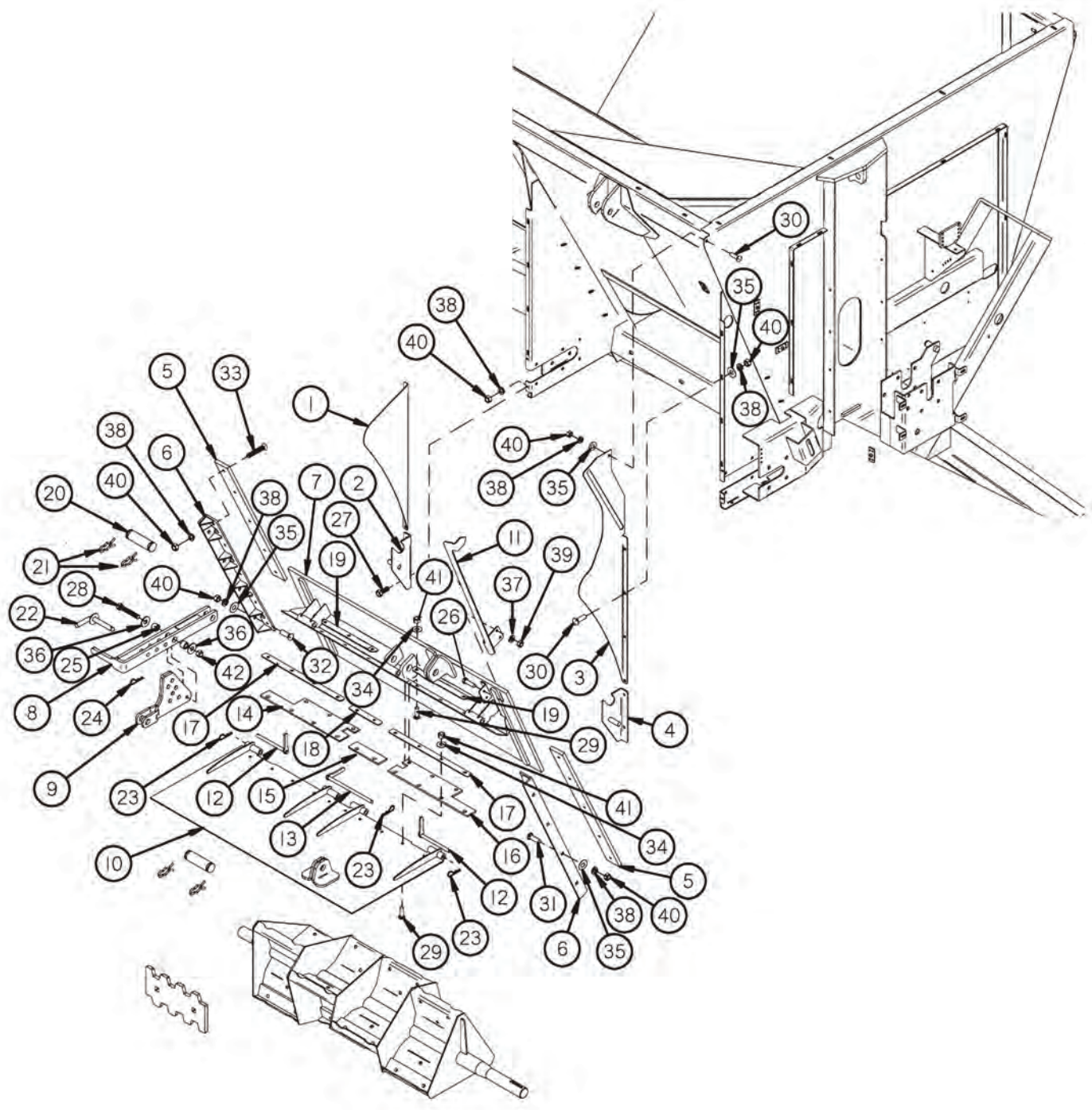




FIGURE 4
EXPELLER / DISCHARGE GATE / DOOR

REF #	PART #	DESCRIPTION	QTY
40	YNHX12005	NUT HEX, 3/8	31
41	YNTL10005	NUT HEX, TOP LOCK, 5/16	16
42	YNTL16005	NUT HEX, TOP LOCK, 1/2	1





FIGURE 5
EXPELLER / DISCHARGE GATE / PAN

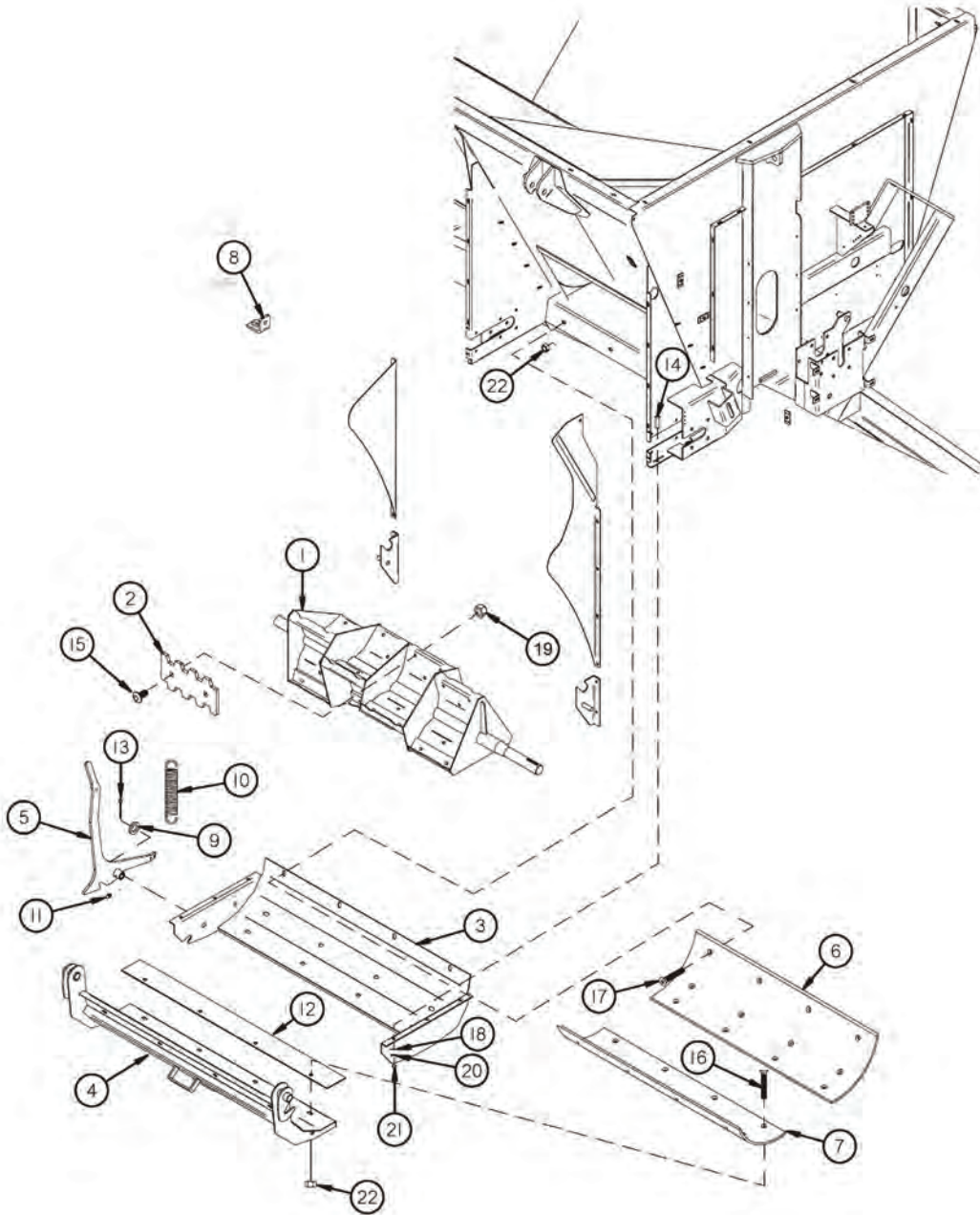




FIGURE 5
EXPELLER / DISCHARGE GATE / PAN

REF #	PART #	DESCRIPTION	QTY
1	69616	EXPELLER	1
2	TS68	EXPELLER PADDLE	12
3	TS72	SWING AWAY PAN FRAME	1
4	TS73	SWING AWAY PAN	1
5	TS74	PAN LATCH HANDLE	1
6	TS75	EXPELLER BACK POLY	1
7	TS76	EXPELLER PAN POLY	1
8	56N146	SHIELD ANGLE	1
9	T73	SPACER	3
10	K103	SPRING	1
11	G89	GREASE ZERK	1
12	TS18	PAN RUBBER SEAL	1
13	YPCT06010	COTTER PIN, 3/16 X 1-1/4	1
14	YBCR10010	BOLT CARRIAGE, 5/16 X 1 G5	6
15	YBCR16019	BOLT CARRIAGE, 1/2 X 1-3/4 G8	24
16	YSFS16010	BOLT, FLAT SOK, 1/2 X 1-1/2	20
17	YSFS16020	BOLT, FLAT SOK, 1/2 X 1-3/4	4
18	YWFL10005	WASHER FLAT, 5/16	6
19	YNL16006	NUT HEX, TOP LOCK 1/2 G9	24
20	YWLO10005	WASHER LOCK, 5/16	6
21	YNHX10005	NUT HEX, 5/16	6
22	YNFG16003	NUT FLANGE, 1/2 GF	24





FIGURE 6
INPUT SHAFT / EXPELLER DRIVE

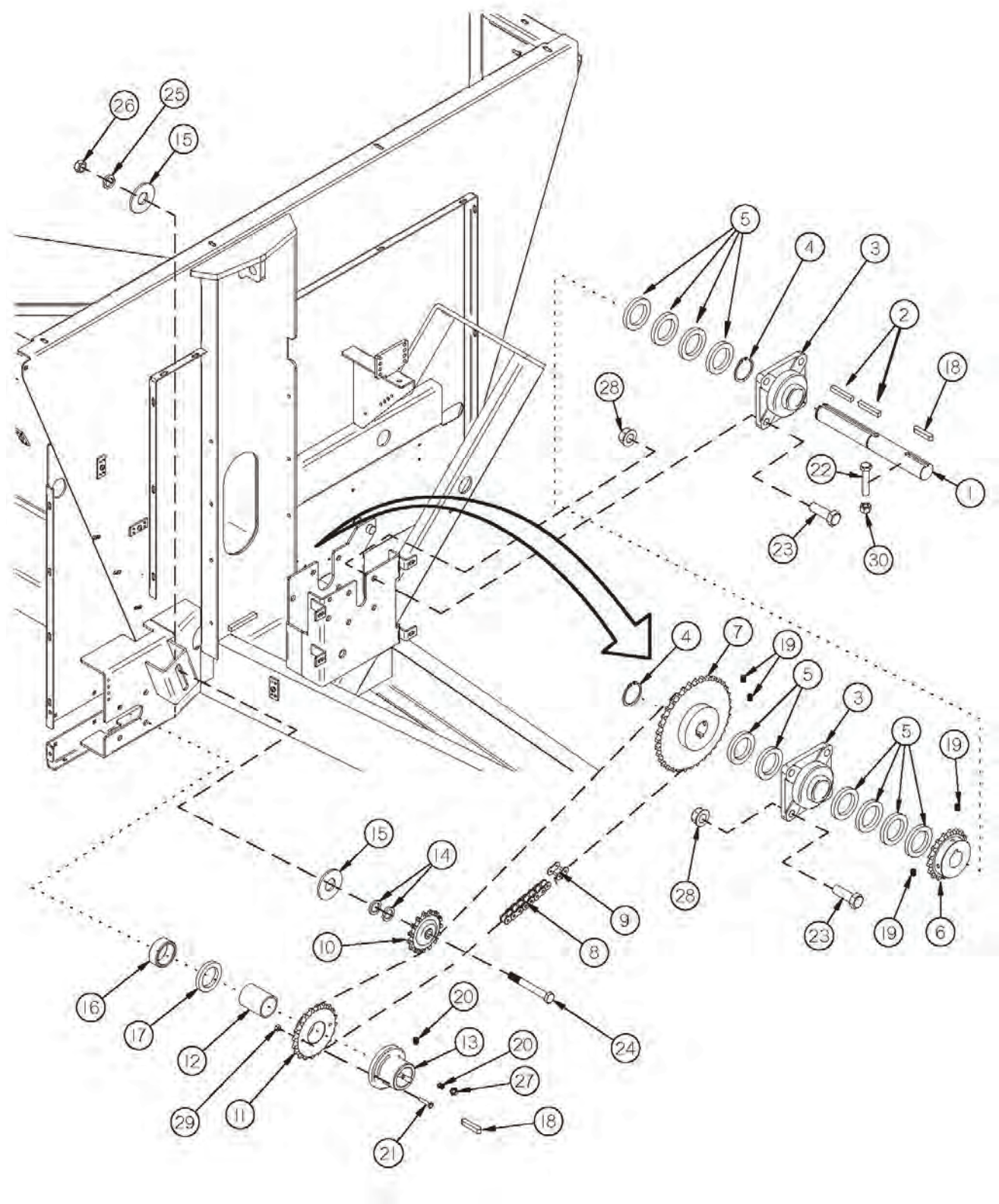




FIGURE 6

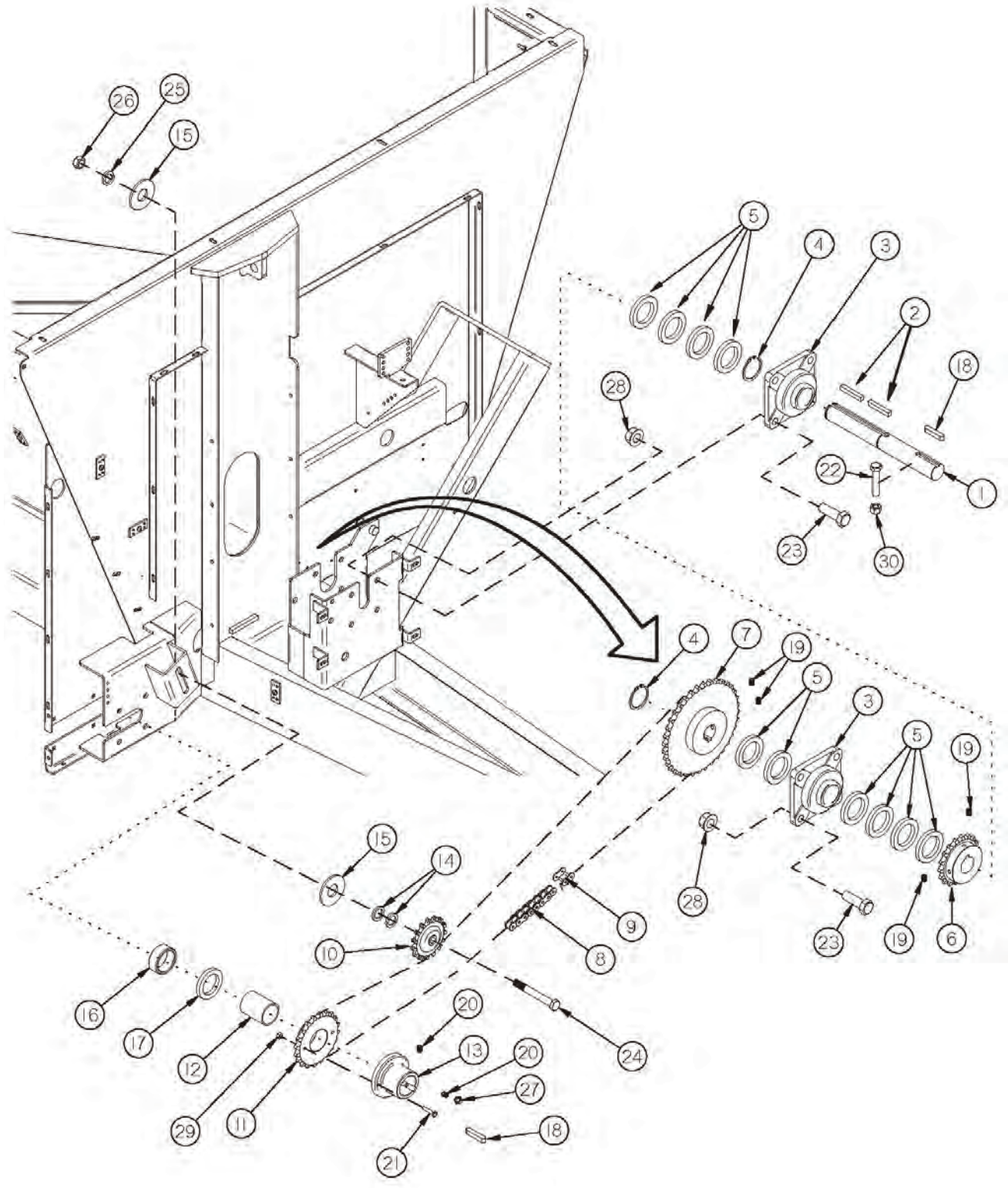
INPUT SHAFT / EXPELLER DRIVE

REF #	PART #	DESCRIPTION	QTY
1	93258	INPUT SHAFT	1
2	68856	SQUARE KEY	2
3	12V99	BEARING	2
4	12V62	SNAP RING	2
5	16SV374	SPACER	A/R
*	16SV375	SPACER	A/R
*	16SV439	SPACER	A/R
*	33SV29	SPACER	1
6	TS35	SPROCKET/60B18 STANDARD - 540 RPM	1
*	TS36	SPROCKET/ASSY 13T OPT. - 540 RPM & 1000 RPM	1
*	TS37	SPROCKET/60B15T OPT. - 540 RPM STD. 1000 RPM	1
*	TS38	SPROCKET/60B20 OPTIONAL - 540 RPM	1
*	TS364	SPROCKET/60B16 OPTIONAL - 1000 RPM	1
7	TS79	SPROCKET/60B36 STANDARD - 540 RPM	1
*	TS80	SPROCKET/EXP DRIVE ASSY 30T OPT. - 540 RPM	1
*	TS81	SPROCKET/60X27T OPTIONAL - 540 RPM	1
*	TS38	SPROCKET/60B20 OPTIONAL - 1000 RPM	1
*	TS318	SPROCKET/ASSY 16T OPTIONAL - 1000 RPM	1
*	TS365	SPROCKET/ASSY 15T OPTIONAL - 1000 RPM	1
*	TS366	SPROCKET/ASSY 13T OPTIONAL - 1000 RPM	1
8	TS82	ROLLER CHAIN #60H X 100 540 RPM - 36T SPRCKET	1
*	TS367	ROLLER CHAIN #60H X 97 540 RPM - 30T SPRCKET	1
*	TS368	ROLLER CHAIN #60H X 96 540 RPM - 27T SPRCKET	1
*	TS316	ROLLER CHAIN #60H X 92 1000 RPM - 20T SPRCKET	1
*	TS369	ROLLER CHAIN #60H X 90 1000 RPM - 16T SPRCKET	1
*	TS370	ROLLER CHAIN #60H X 89 1000 RPM - 15T SPRCKET	1
*	TS371	ROLLER CHAIN #60H X 88 1000 RPM - 13T SPRCKET	1
9	TS40	CONNECTOR LINK #60H	1
10	TS29	IDLER SPROCKET	1
11	TS84	SPROCKET (20T)	1
12	TS85	BRONZE BUSHING	1
13	TS86	EXPELLER SOLID SHEAR HUB	1
14	T73	SPACER	A/R
15	F129	TIGHTENER WASHER	2
16	TS329	EXPELLER DRIVE SPACER	1
17	S36	SHIM	A/R
*	S409	SHIM	A/R
18	S138	SQUARE KEY, 3/8 X 2-3/8	2
19	YSKP10010	SCREW SOCKET HEAD, 5/16 X 3/8	4





FIGURE 6
INPUT SHAFT / EXPELLER DRIVE



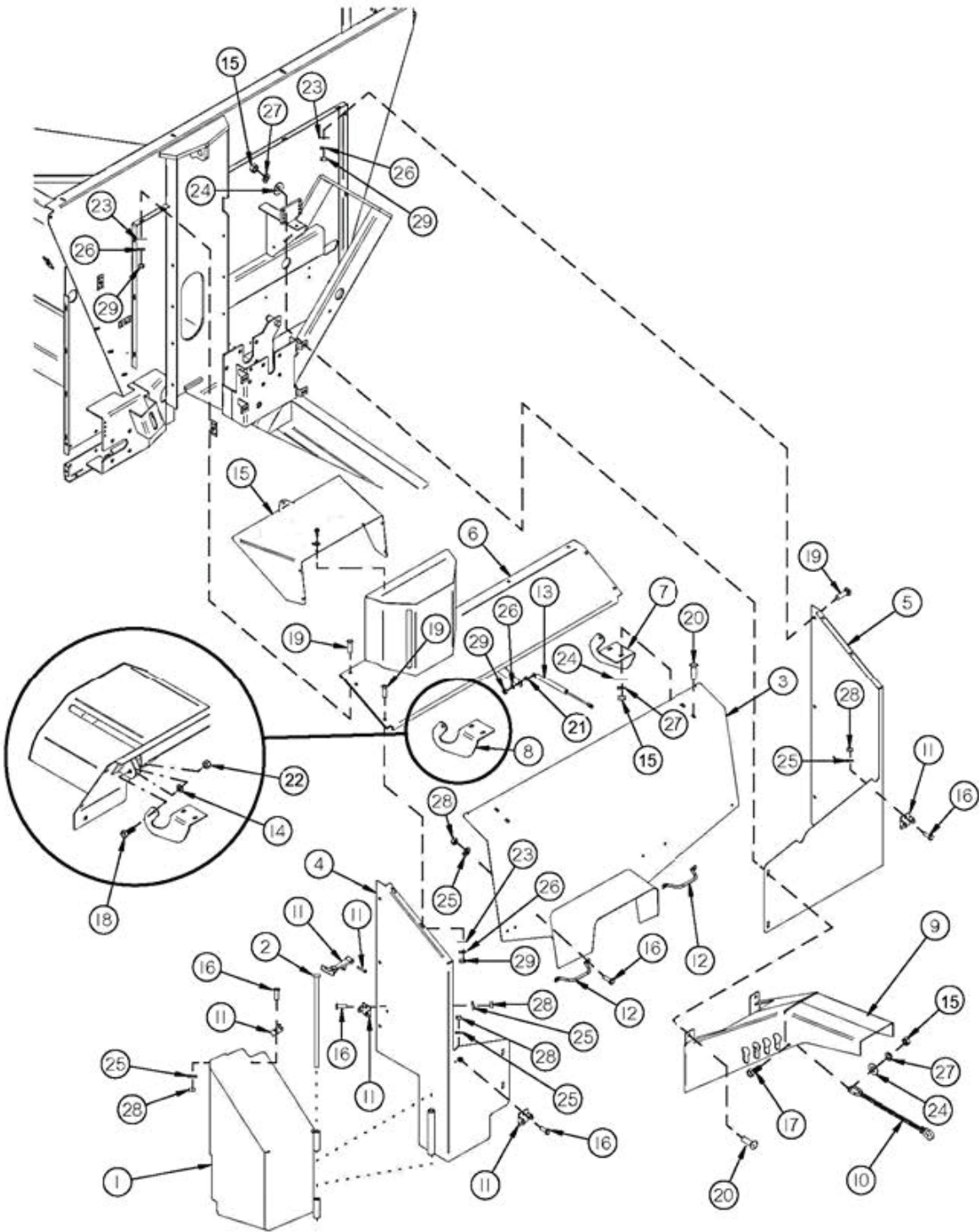




FIGURE 7

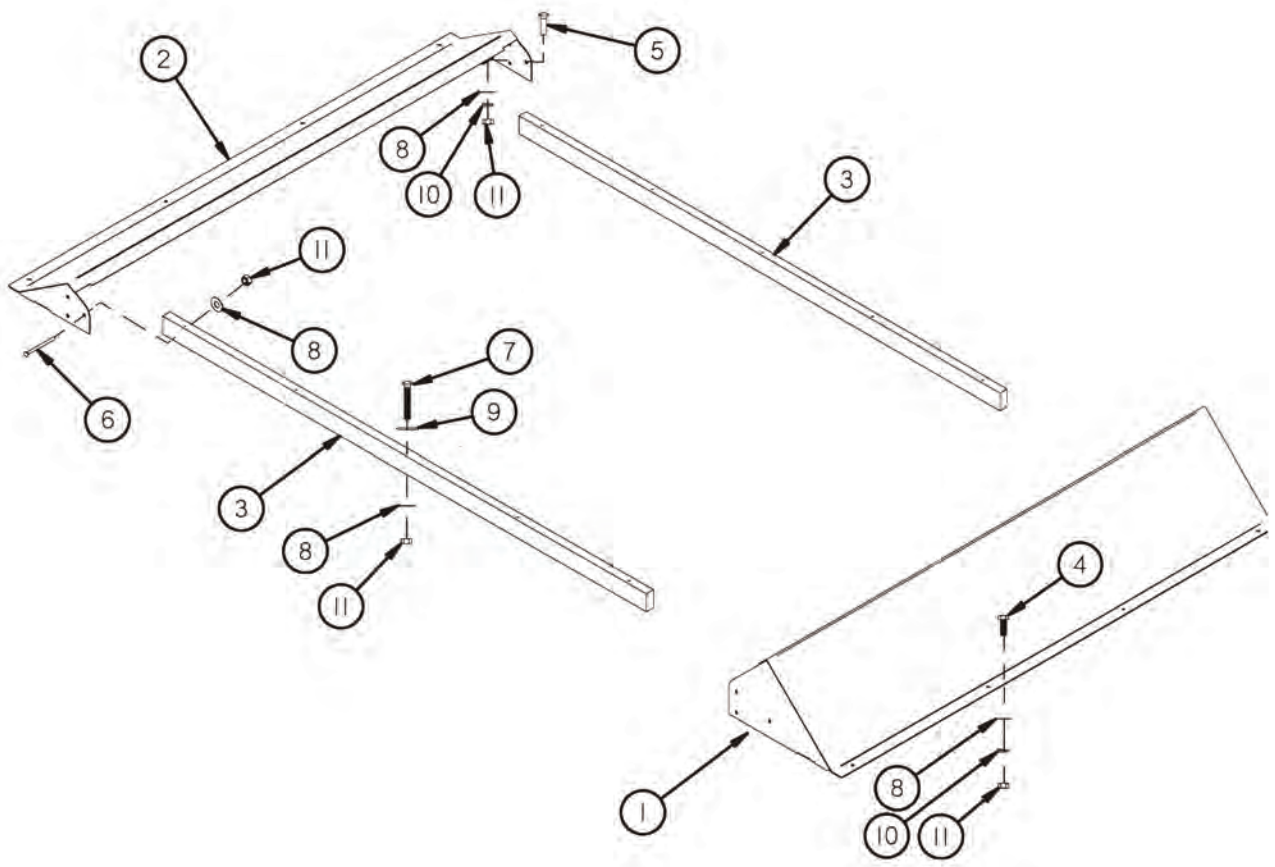
GUARDS / SHIELDS

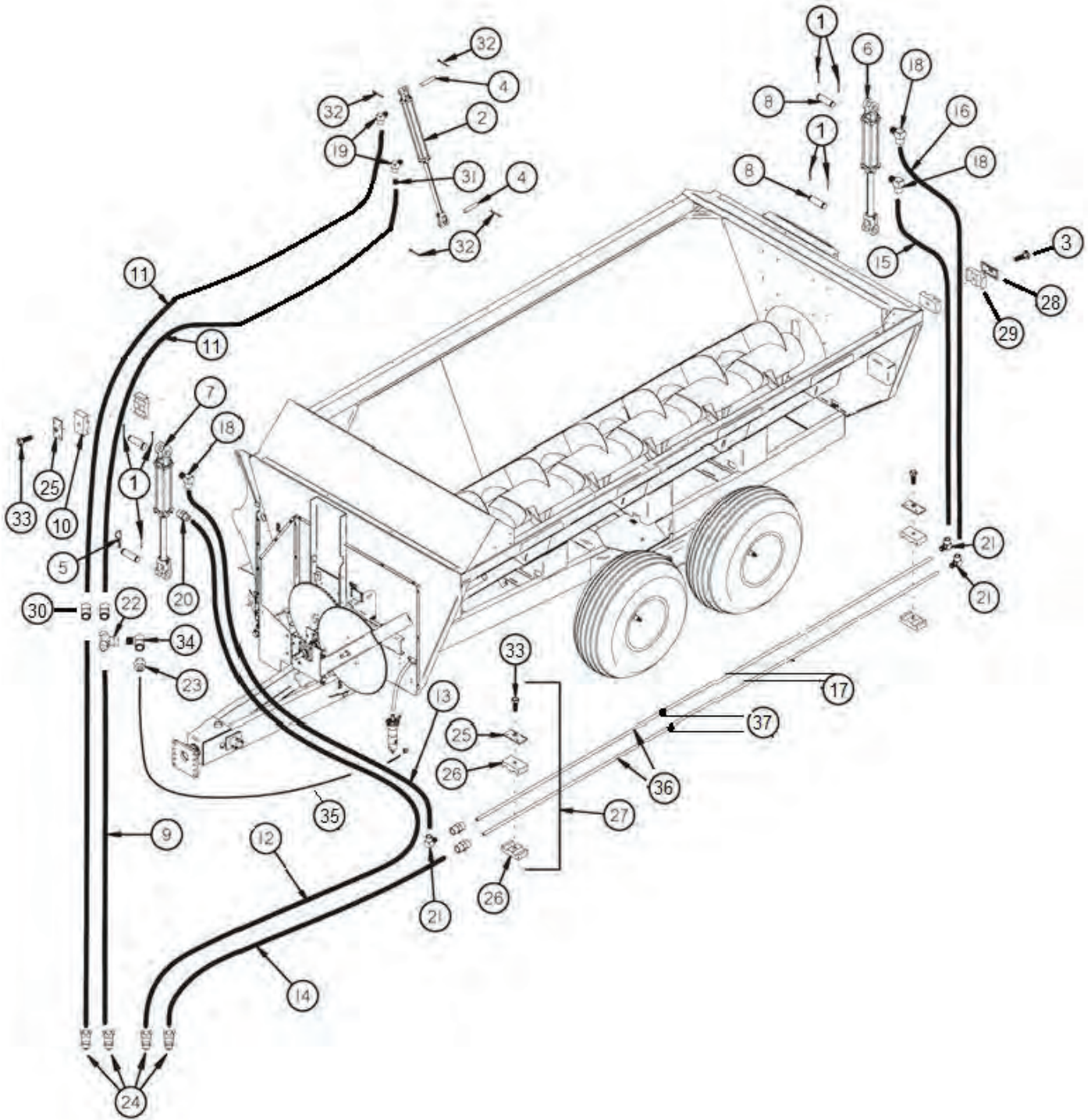
REF #	PART #	DESCRIPTION	QTY
1	TS87	EXPELLER DRIVE SHIELD	1
2	TS88	EXPELLER SHIELD HINGE	1
3	TS89	FRONT SHIELD DOOR	1
4	TS90	FRONT SHIELD RH	1
5	TS91	FRONT SHIELD LH	1
6	TS92	TOP FRONT SHIELD	1
7	TS93	FRONT SHIELD HINGE RH	1
8	TS94	FRONT SHIELD HINGE LH	1
9	TS95	HOSE HOLDER	1
10	TS130	PTO HOLDER CHAIN	1
11	8736	COMPLETE LATCH	12
12	TS96	SHIELD HANDLE	2
13	TS97	GAS SPRING	1
14	TS331	SPACER	4
15	YNHX12005	NUT HEX, 3/8	9
16	YBHH08015	BOLT HEX, 1/4 X 1/2 G5	8
17	YBHH12010	BOLT HEX, 3/8 X 1 G5	1
18	YBHH12035	BOLT HEX, 3/8 X 1-1/4 G5	2
19	YBCR10030	BOLT CARRIAGE, 5/16 X 3/4 G5	13
20	YBCR12010	BOLT CARRIAGE, 3/8 X 1 G5	8
21	YNJM10005	NUT HEX, JAM, 5/16	2
22	YNTL12005	NUT HEX, TOP LOCK, 3/8	2
23	YWFL10005	WASHER FLAT, 5/16	13
24	YWFL12005	WASHER FLAT, 3/8	9
25	YWLO08005	WASHER LOCK, 1/4	8
26	YWLO10005	WASHER LOCK, 5/16	13
27	YWLO12005	WASHER LOCK, 3/8	9
28	YNHX08005	NUT HEX, 1/4	8
29	YNHX10005	NUT HEX, 5/16	13





FIGURE 8
SPLASH GUARDS / RAILS







REF #	PART #	DESCRIPTION	QTY
1	YPCT06005	COTTER PIN, 3/16 X 1-1/2	7
2	56015	CYLINDER	1
3	56569	BOLT CLAMP, 5/16 X 1-3/4 G5	7
4	LW55	CYLINDER PIN	2
5	YPHR02010	HAIR PIN	1
6	TS105	CYLINDER	1
7	TS104	CYLINDER	1
8	T143	CYLINDER PIN	4
9	85664	HYD HOSE, 6, 94	2
10	CHM278	CLAMP HALF 3/8 HOSE (SET OF 2)	7
11	85430	HYDRAULIC HOSE, 6, 125	2
12	TS111	HYDRAULIC HOSE 1/2 X 162	1
13	TS112	HYDRAULIC HOSE 1/2 X 56	1
14	TS113	HYDRAULIC HOSE 1/2 X 120	1
15	TS70	HYDRAULIC HOSE 1/2 X 42	1
16	TS71	HYDRAULIC HOSE 1/2 X 52	1
17	89070	HYDRAULIC TUBE, 1/2 X 120	2
18	TS135	STRAIGHT THREAD ELBOW FITTING	2
19	CHM164	FITTING, 90, 6JIC X 3/8NPT	2
20	TS137	-8 MALE O-RING TO -8 MALE JIC	1
21	TFM83	90 DEGREE ELBOW	3
22	CHM242	FITTING, TEE, 6JIC X 6JIC X 6JIC	1
23	73993	FITTING, ST,6JIC, 6NPTF, STL	1
24	DWM205	COUPLER MALE	4
25	56563	CLAMP TOP PLATE	12
26	TS118	LINE CLAMP BLOCK	6
27	TFM91	DOUBLE STEEL LINE CLAMP	3
28	56564	LINE CLAMP CAP	5
29	56596	CLAMP CUSHION (SET OF 2)	5
30	CHM258	UNION (6 HTX-S)	2
31	58142	IN-LINE CONNECTOR, ORIFICE, 6-XHX7-S .031	1
32	YPCT05010	COTTER PIN, 5/32 X 1-1/2	4
33	56568	BOLT HEX, 5/16 X 1-3/8 G5	12
34	58127	FITTING 6 C6X-S	1
35	86383	HYDRAULIC HOSE, 4, 78IN	1
36	89076	HYDRAULIC TUBE, 1/2 X 77	3
37	GM17	ADAPTER (8 HTX)	3





FIGURE 10

TANDEM AXLES

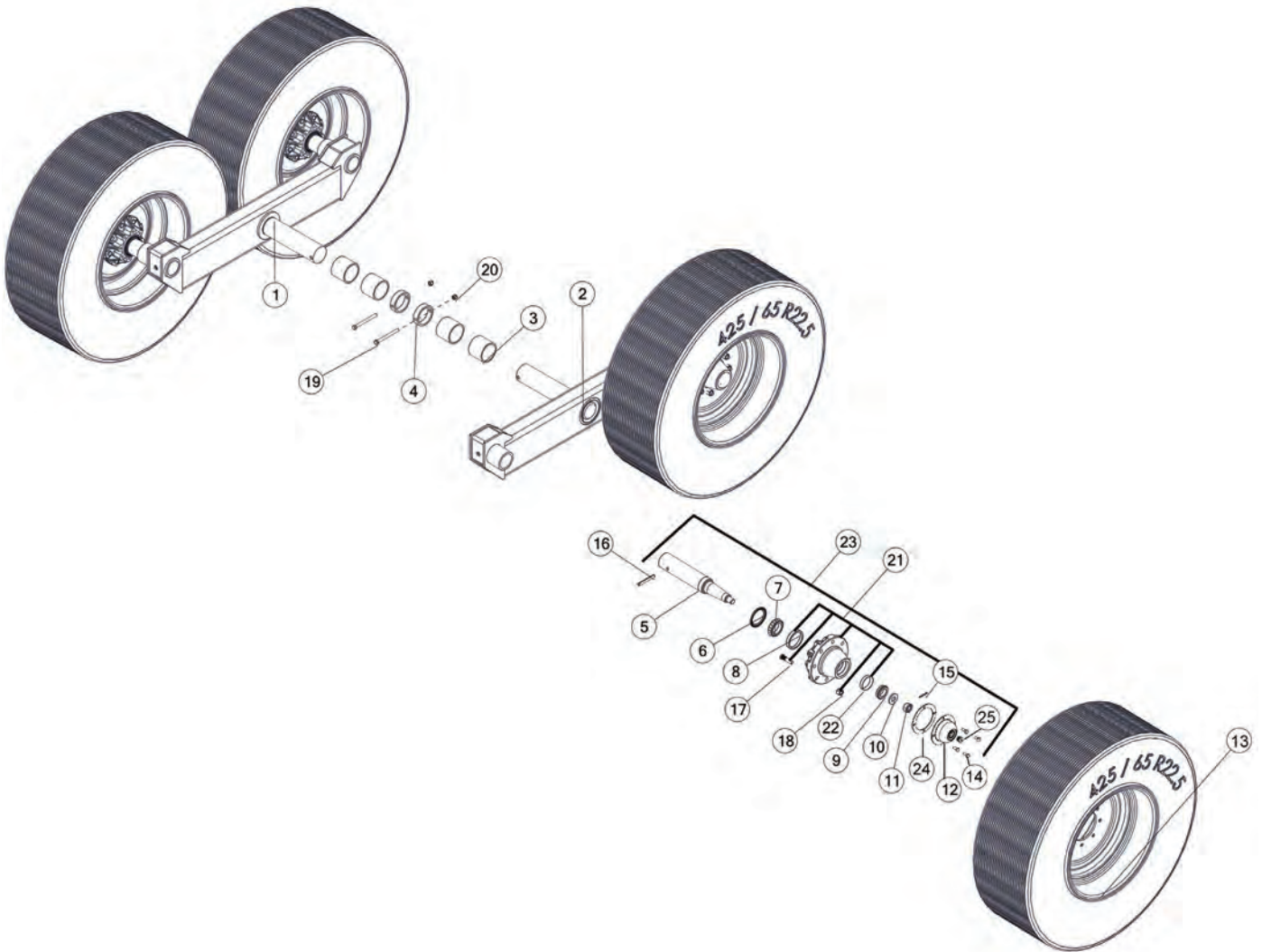




FIGURE 10

TANDEM AXLES

REF #	PART #	DESCRIPTION	QTY
1	33SV37	TANDEM AXLE RH	1
2	33SV36	TANDEM AXLE LH	1
3	70157	POLY BUSHING	4
4	16SV214	COLLAR FOR AXLE	2
5	93106	SPINDLE	4
6	93107	GREASE SEAL	4
7	54597	BEARING CONE	4
8	54593	INNER RACE	4
9	17G150	TAPERED ROLLER BEARING, 1.625 BORE	4
10	33SV95	SPINDLE WASHER	4
11	YNSL32005	NUT SLOT, 1-14 NA G2 NF	4
12	93110	HUB CAP	4
13	12V36SR	WHEEL 14 X 16.1	4
*	90186	WHEEL 16 X 16.1	4
*	90185	WHEEL 13.5 X 22.5	4
14	YBHH08063	BOLT HEX, 1/4 X 5/8 G5	4
15	YPCT07175	COTTER PIN, 7/32 X 1-3/4	4
16	YPEX16020	EXPANSION PIN, 1/2 X 4	4
17	YBSD20010	BOLT STUD, 5/8 X 2-1/2 G8	32
18	YNWL20005	NUT WHEEL, 5/8-18 NA G5 ZC	32
19	YBHH16165	BOLT HEX, 1/2-13 X 6 G5	2
20	YNTL16005	NUT HEX, TOP LOCK, 1/2	2
21	93103	HUB	4
22	17G149	RACE	4
23	93112	HUB AND SPINDLE ASSEMBLY	4
24	93109	GASKET	1
25	93111	OIL PLUG	1





FIGURE 11

OILER KIT

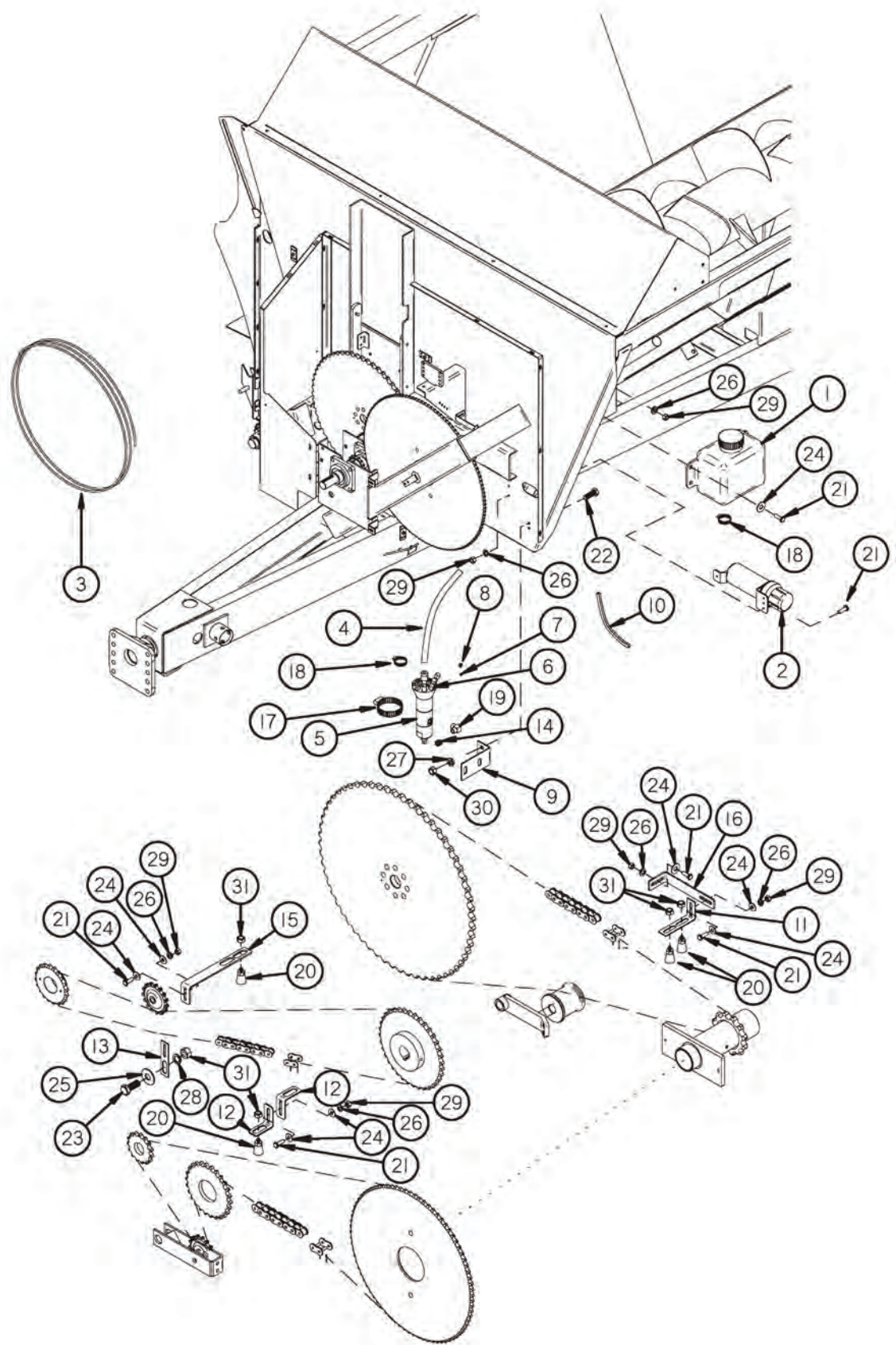




FIGURE 11

OILER KIT

REF #	PART #	DESCRIPTION	QTY
1	HGV63	RESERVOIR	1
2	S522	MANUAL HOLDER	1
3	HGV71	OIL TUBE	1
4	HGV66	FILLER HOSE	1
5	HGV82	PUMP	1
6	YNHX16005	NUT HEX, 1/2	5
7	YNHX12005	NUT HEX, 3/8	2
8	HGV84	MANIFOLD	4
9	HGV68	PUMP MOUNT BRACKET	1
10	HGV77	EDGING	1
11	HGV69	BRUSH BRACKET LONG OILER	2
12	TS98	BRUSH BRACKET SINGLE	2
13	HGV70	BRACKET MOUNT	1
14	TS198	ORIFICE .015	1
15	TS322	BRACKET	1
16	TS196	OILER HANGER	1
*	HGV62	COMPLETE OILER KIT	1
17	HGV74	HOSE CLAMP	1
18	HGV75	HOSE CLAMP	2
19	HGV65	ELBOW	1
20	HGV67	BRUSH	4
21	YBHH08100	BOLT HEX, 1/4 X 3/4 G5	11
22	YBHH12135	BOLT HEX, 3/8 X 3/4 G5	2
23	YBHH16045	BOLT HEX, 1/2 X 1-1/4 G5	1
24	YWFL08005	WASHER FLAT, 1/4	11
25	YWFL16005	WASHER FLAT, 1/2	1
26	YWLO08005	WASHER LOCK, 1/4	11
27	YWLO12005	WASHER LOCK, 3/8	2
28	YWLO16005	WASHER LOCK, 1/2	1
29	YNHX08005	NUT HEX, 1/4	11
30	YNHX12005	HEX NUT, 3/8"-16	2
31	YNHX16005	HEX NUT, 1/2"	5





FIGURE 12
FRONT GREASE LINES

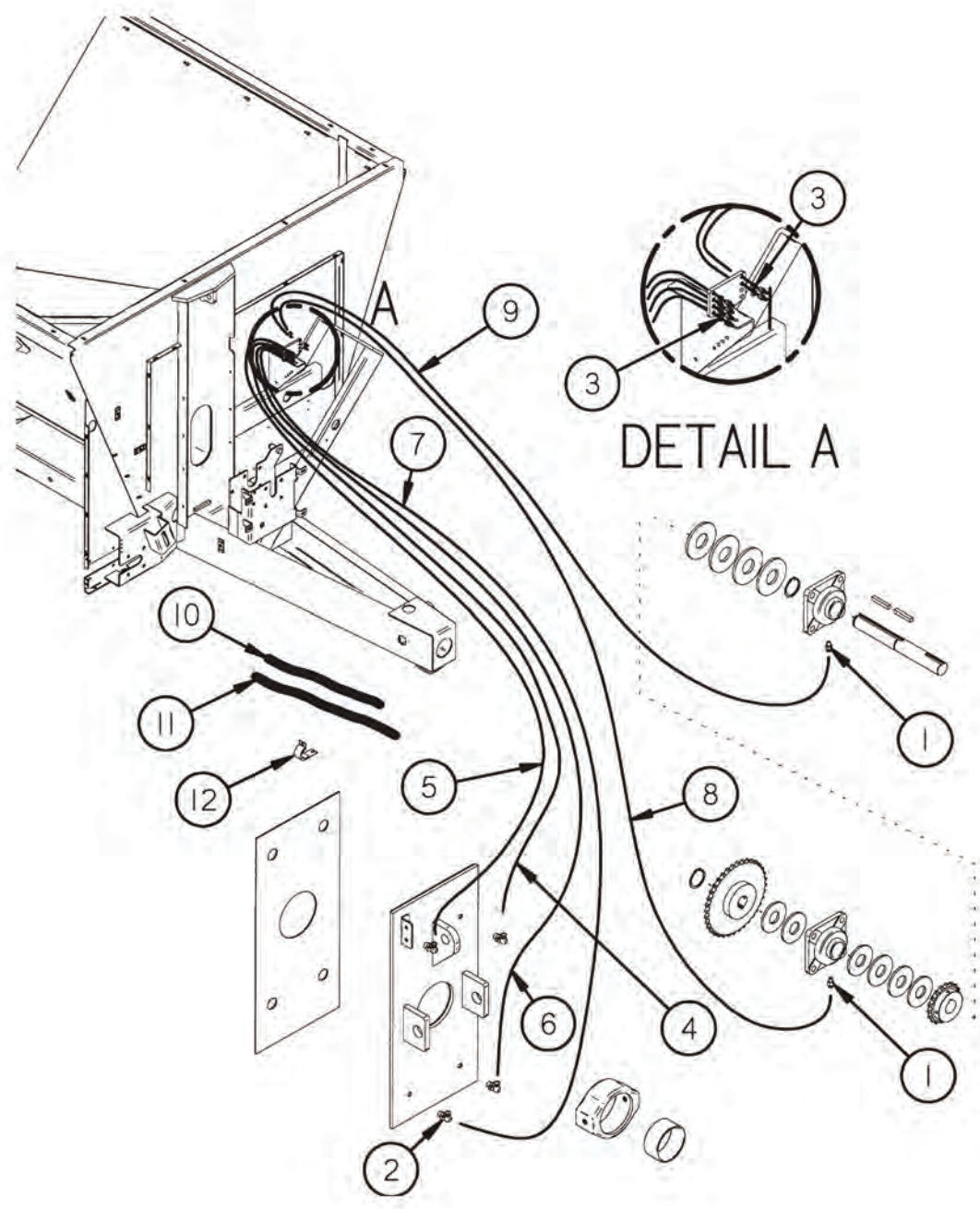




FIGURE 12

FRONT GREASE LINES

REF #	PART #	DESCRIPTION	QTY
1	TS323	PIPE ADAPTER	2
2	GM30	GREASE LINE ADAPTER	4
3	YNJM04005	NUT JAM, 1/8 A	6
4	TS119	GREASE LINE, 23	1
5	TS120	GREASE LINE, 29.5	1
6	TS121	GREASE LINE, 38.5	1
7	TS122	GREASE LINE, 45.5	1
8	TS123	GREASE LINE, 60	1
9	TS124	GREASE LINE, 63.75	1
10	TS246	SPLIT LOOM, 3/4 X 18	1
11	TS305	SPLIT LOOM, 3/4 X 24	1
12	HGV162	RUBBER WIRE HOLDER	1



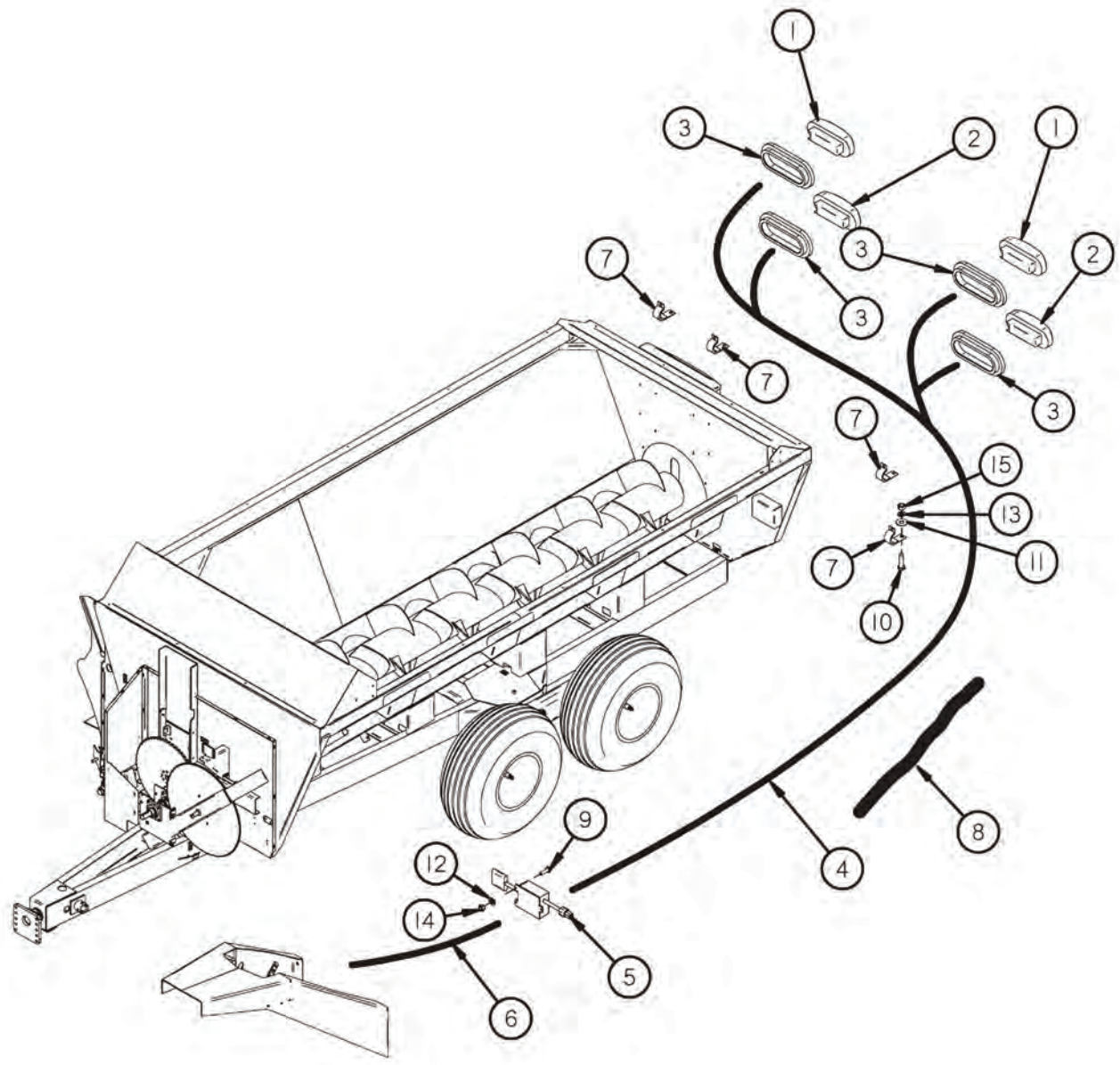




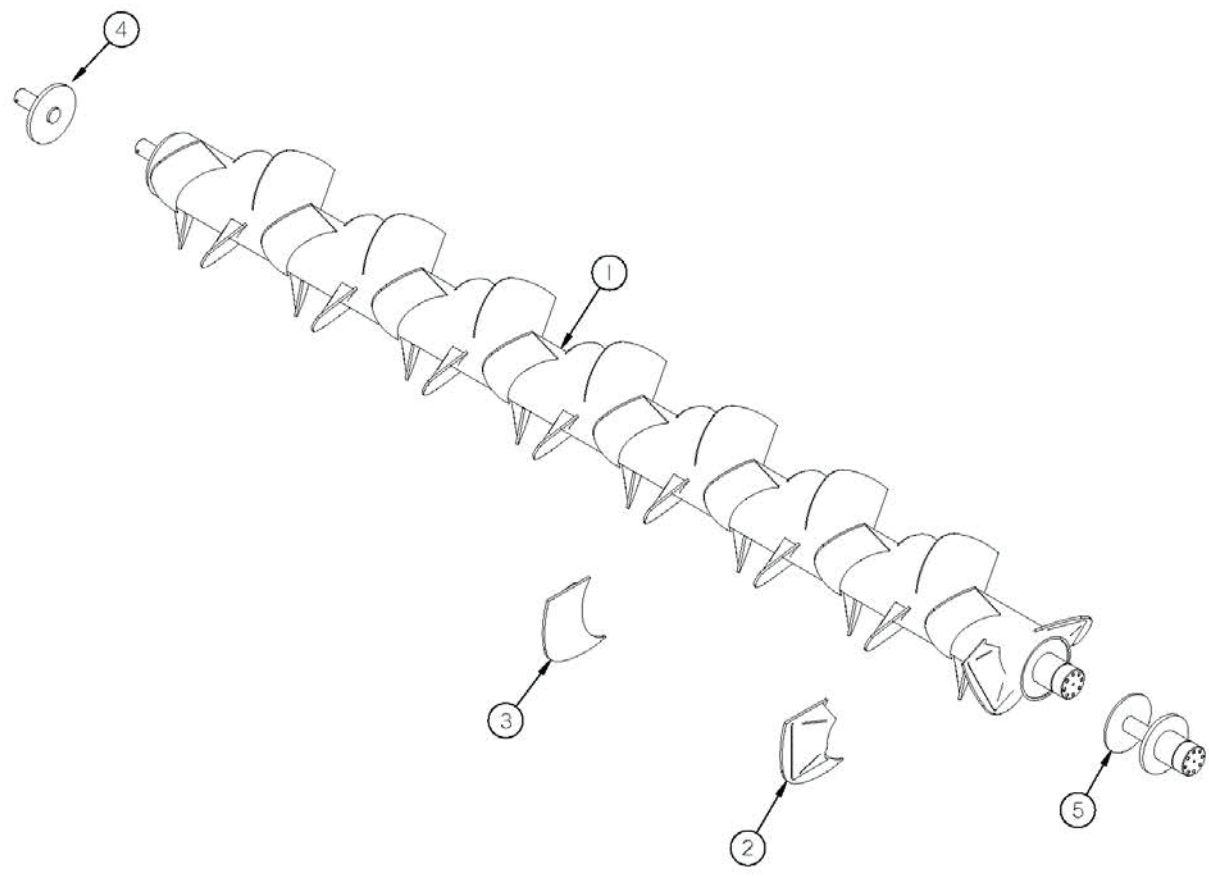
FIGURE 13
LIGHTING

REF #	PART #	DESCRIPTION	QTY
1	S309	OVAL AMBER HAZARD TAILLIGHT	2
2	S310	OVAL RED STOP/TURN TAILLIGHT	2
3	S308	OVAL LIGHT GROMMET	4
4	56N155	HARNESS - TAILLIGHT	1
5	69908	MODULE CONTROL BLINKER	1
6	TS317	HARNESS MODULE TO TRACTOR	1
7	HGV162	CUSHION WIRE CLAMP, 1/2	4
8	TS129	SPIRAL WRAP, 30	1
9	YSP64010	PAN HEAD PHILLIPS, MACHINE SCREW, #10 X 1	3
10	YBHH10105	BOLT HEX, 5/16 X 3/4 G5	4
11	YWFL10005	WASHER FLAT, 5/16	4
12	YWLO08005	WASHER LOCK, 1/4	3
13	YWLO10005	WASHER LOCK, 5/16	4
14	YNHX64005	NUT HEX, #10-32	3
15	YNHX10005	NUT HEX, 5/16	4





FIGURE 14
AUGER





REF #	PART #	DESCRIPTION	QTY
1	TS1	AUGER	1
2	TS125	FRONT AUGER PADDLE	2
3	TS126	BACK AUGER PADDLE	37
4	TS127	AUGER REAR	1
5	TS128	AUGER INPUT	1



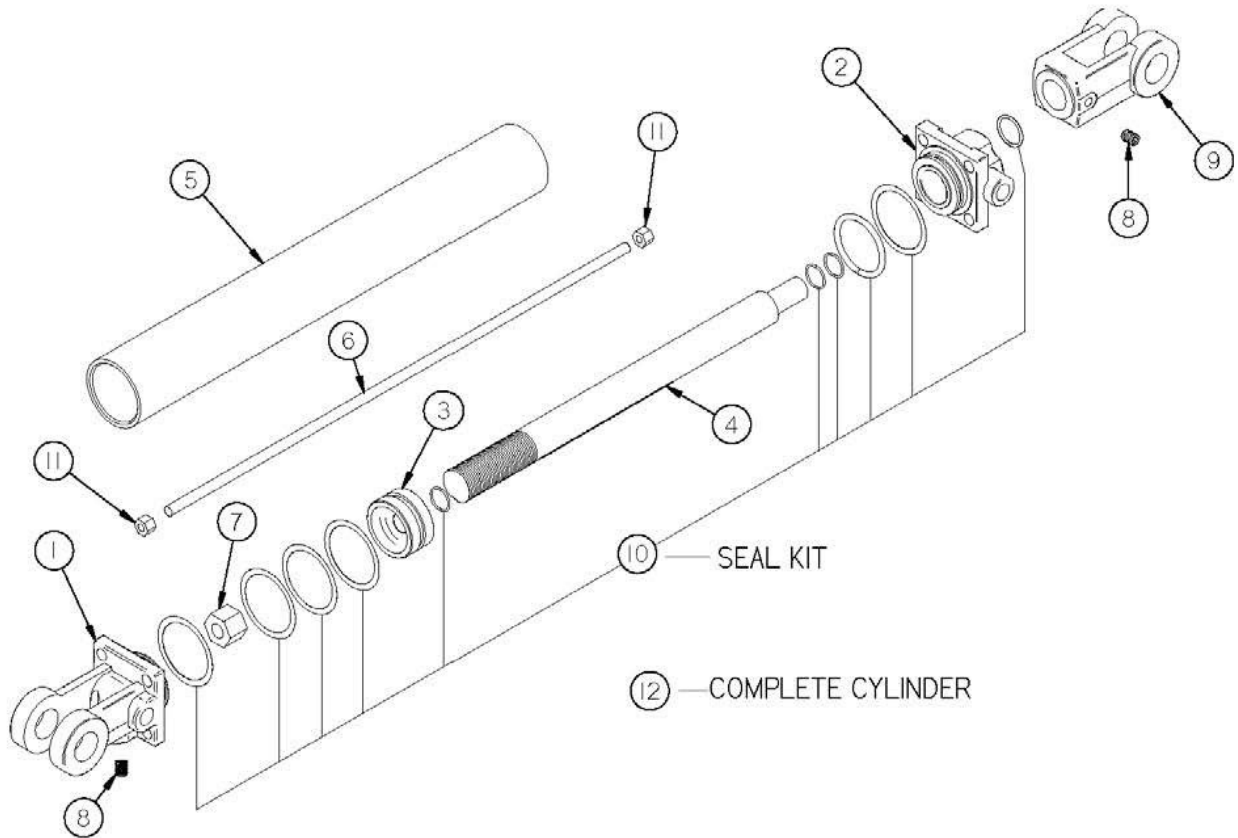




FIGURE 15
AUGER FRONT/REAR HYDRAULIC CYLINDER

REF #	PART# 3" BORE	PART# 3-14" BORE	DESCRIPTION	QTY
1	TS160	TS176	BASE	1
2	TS158	TS174	HEAD	1
3	TS159	TS175	PISTON NUT	1
4	TS156	TS172	ROD	1
5	TS157	TS173	TUBE	1
6	TS153	TS171	TIE ROD	4
7	TS145	TS166	PISTON NUT	1
8	TS152	"	PLUG	1
9	TS155	"	CLEVIS ASSEMBLY	1
10	TS163	TS177	SEAL KIT	1
11	TS144	TS165	TIE ROD NUT	8
12	TS104	---	CYLINDER	1
*	---	TS105	CYLINDER	1





FIGURE 16

EXPELLER DOOR HYDRAULIC CYLINDER

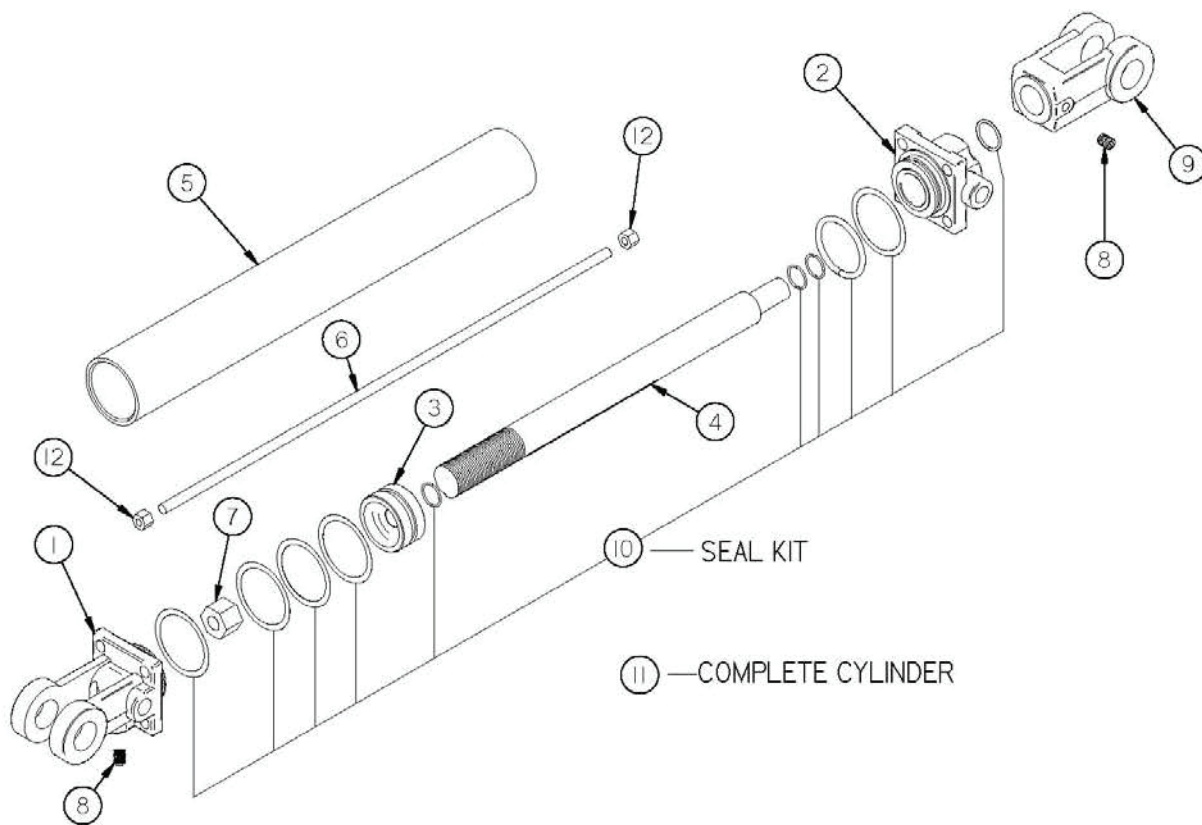




FIGURE 16

EXPELLER DOOR HYDRAULIC CYLINDER

REF #	PART #	DESCRIPTION	QTY
1	23N142A	CLEVIS CAP	1
2	23N143	ROD CAP	1
*	56174	ROD CAP	1
3	23N144	PISTON	1
*	56180	PISTON FOR 2 CYLINDER	1
4	23N145A	ROD	1
5	23N146	CYLINDER TUBE	1
6	23N147	SHAFT, RND, 0.33 X 20.19	4
7	23N148	PISTON NUT	1
8	23N149	PLUG	2
9	23N150A	ROD CLEVIS	1
10	23N151	SEAL KIT	1
*	56187	SEAL KIT FOR 2 CYLINDER	1
11	23N111A	HYDRAULIC CYLINDER 2 X 16	1
*	56015	HYDRAULIC CYLINDER 2 X 16	1
12	YNHX12005	NUT HEX, 3/8	8





FIGURE 17

SCALE

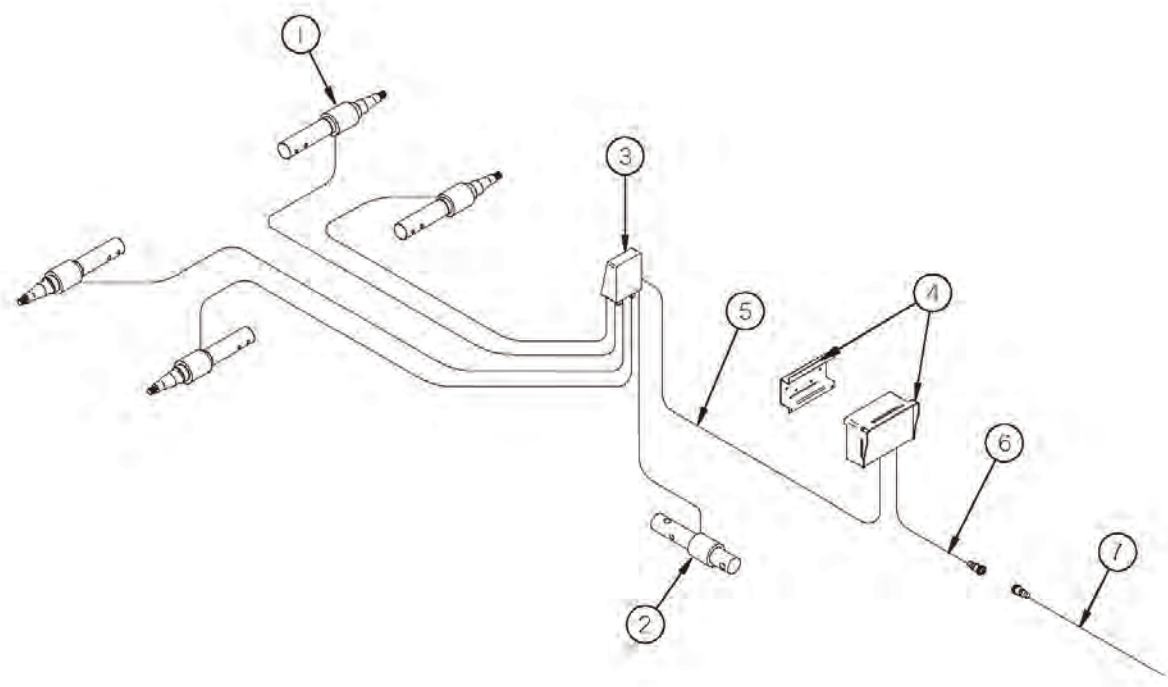




FIGURE 17

SCALE

REF #	PART #	DESCRIPTION	QTY
1	TS333	SPINDLE LOAD CELL	4
2	GM403	HITCH LOAD CELL	1
3	TS83	JUNCTION BOX	1
4	GM408	SCALE HANGER BRACKET	1
*	TS337	SCALE DISPLAY W/GPS	1
5	TS338	JUNCTION BOX CORD	1
6	TS385	CABLE POWER 10FT, 4 WIRE	1
7	16SV269	TRACTOR CONTROL CORD	1



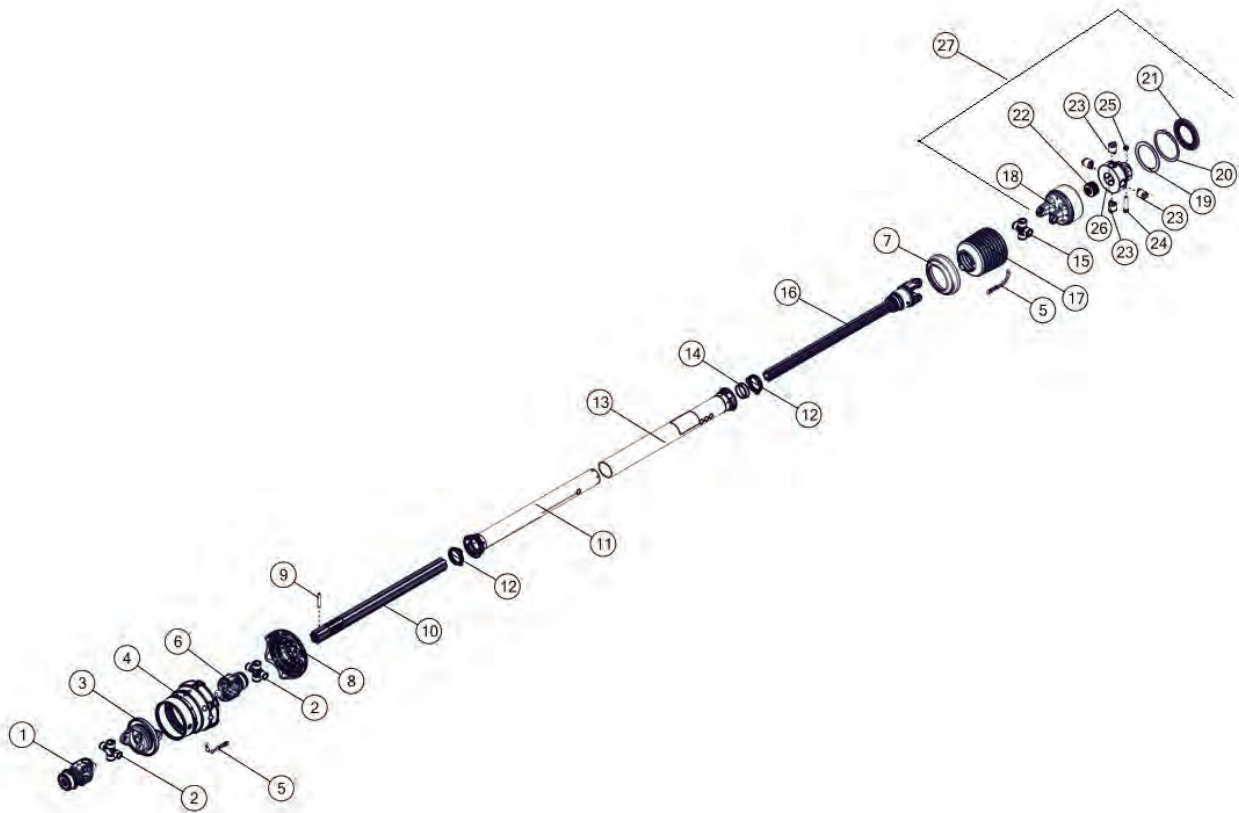




FIGURE 18

540 RPM PTO - OPTIONAL

REF #	PART #	DESCRIPTION	QTY
1	93244	YOKE ASSEMBLY	1
2	93245	U JOINT	2
3	93246	DOUBLE YOKE	1
4	92436	CV GUARD	1
5	87916	RESTRAINT CHAIN	2
6	93248	YOKE	1
7	92446	REINFORCING COLLAR	1
8	89776	NET GUARD	1
9	89773	SPRING PIN	1
10	93247	OUTER SHAFT	1
11	93249	INNER TUBE	1
12	87919	BEARING RING	2
13	93251	OUTER TUBE	1
14	92444	BEARING, SUPPORT	1
15	92630	U JOINT	1
16	93250	INNER SHAFT W/ OVERRUNNING CLUTCH	1
17	93252	GUARD CONE	1
18	93253	HOUSING	1
19	93234	WASHER	1
20	93235	RETAINING RING	1
21	93236	SEAL	1
22	93255	SPRING PACK	1
23	93233	CAM	4
24	YBHH16101	BOLT, 1/2 X 2-3/4 GR 8	1
25	YNTL16005	NUT, HEX, 1/2-13, LKTL, C, ZC	1
26	93254	HUB	1
27	93256	CUT-OUT CLUTCH	1
*	93220	COMPLETE PTO, 1-3/8 540 RPM	1
*	S402	ADMA SAFETY MANUAL	1





FIGURE 19
1000 RPM PTO - OPTIONAL

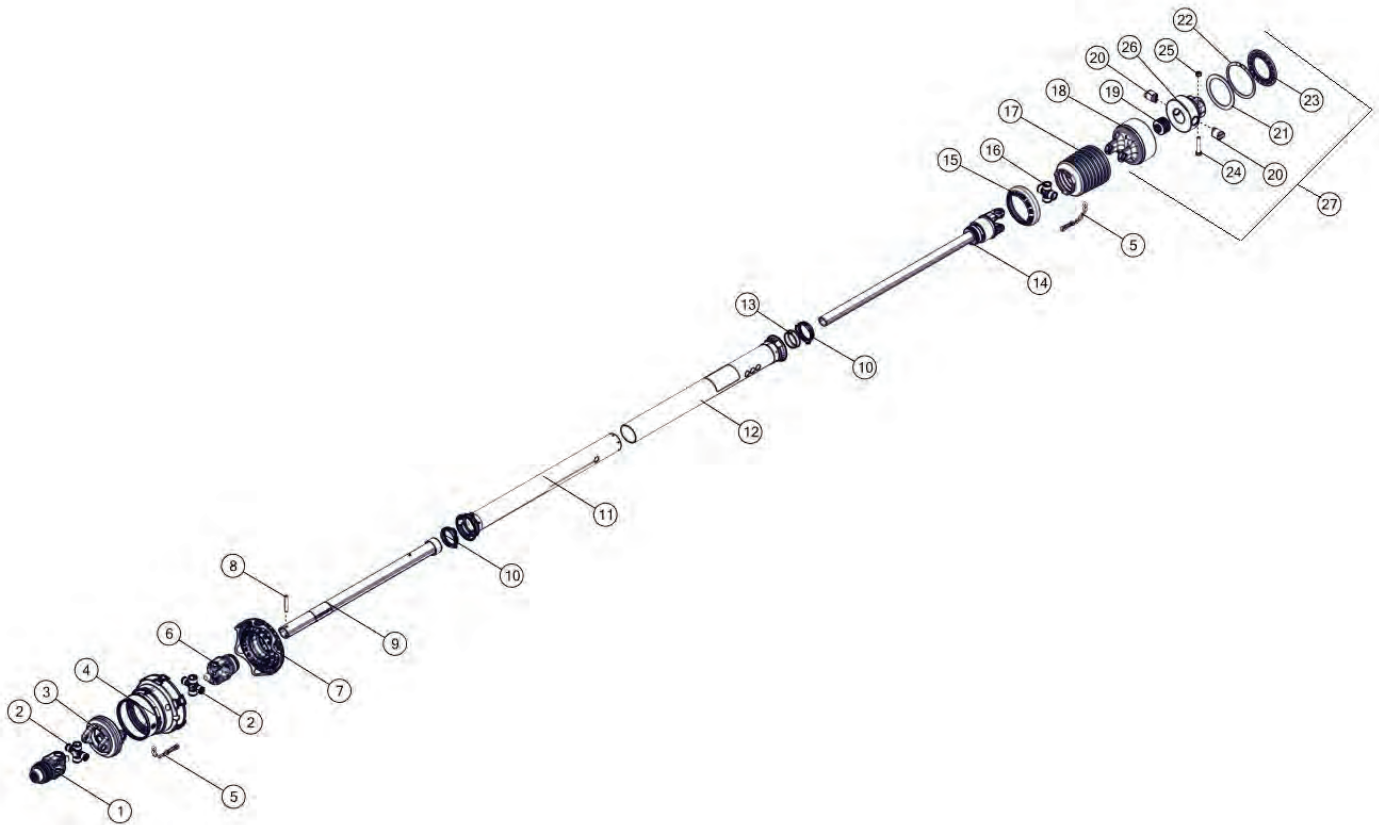




FIGURE 19

1000 RPM PTO - OPTIONAL

REF #	PART #	DESCRIPTION	QTY
1	89767	YOKE ASSEMBLY	1
2	89768	CROSS AND BEARING KIT	2
3	89769	DOUBLE YOKE	1
4	89784	CV GUARD	1
5	87916	RESTRAINT CHAIN	2
6	93221	YOKE ASSEMBLY	1
7	89776	NET GUARD	1
8	89773	SPRING PIN	1
9	93238	OUTER SHAFT	1
10	87919	BEARING RING	2
11	93239	INNER TUBE	1
12	93241	OUTER TUBE	1
13	89793	SUPPORT BEARING	1
14	93240	INNER SHAFT W/ OVERRUNNING CLUTCH	1
15	89792	REINFORCING COLLAR	1
16	89786	CROSS AND BEARING KIT	1
17	93225	GUARD CONE	1
18	93230	HOUSING	1
19	93232	SPRING PACK	1
20	93233	CAM	2
21	93234	WASHER	1
22	93235	RETAINING RING	1
23	93236	SEAL	1
24	YBHH16101	BOLT, 1/2 X 2-3/4 GR 8	1
25	YNTL16005	NUT, HEX, 1/2-13, LKTL, C, ZC	1
26	93242	HUB	1
27	93243	CUT-OUT CLUTCH	1
*	93219	COMPLETE PTO, 1-3/8 1000 RPM	1
*	S402	ADMA SAFETY MANUAL	1





FIGURE 20

TANDEM AXLES - OPTIONAL

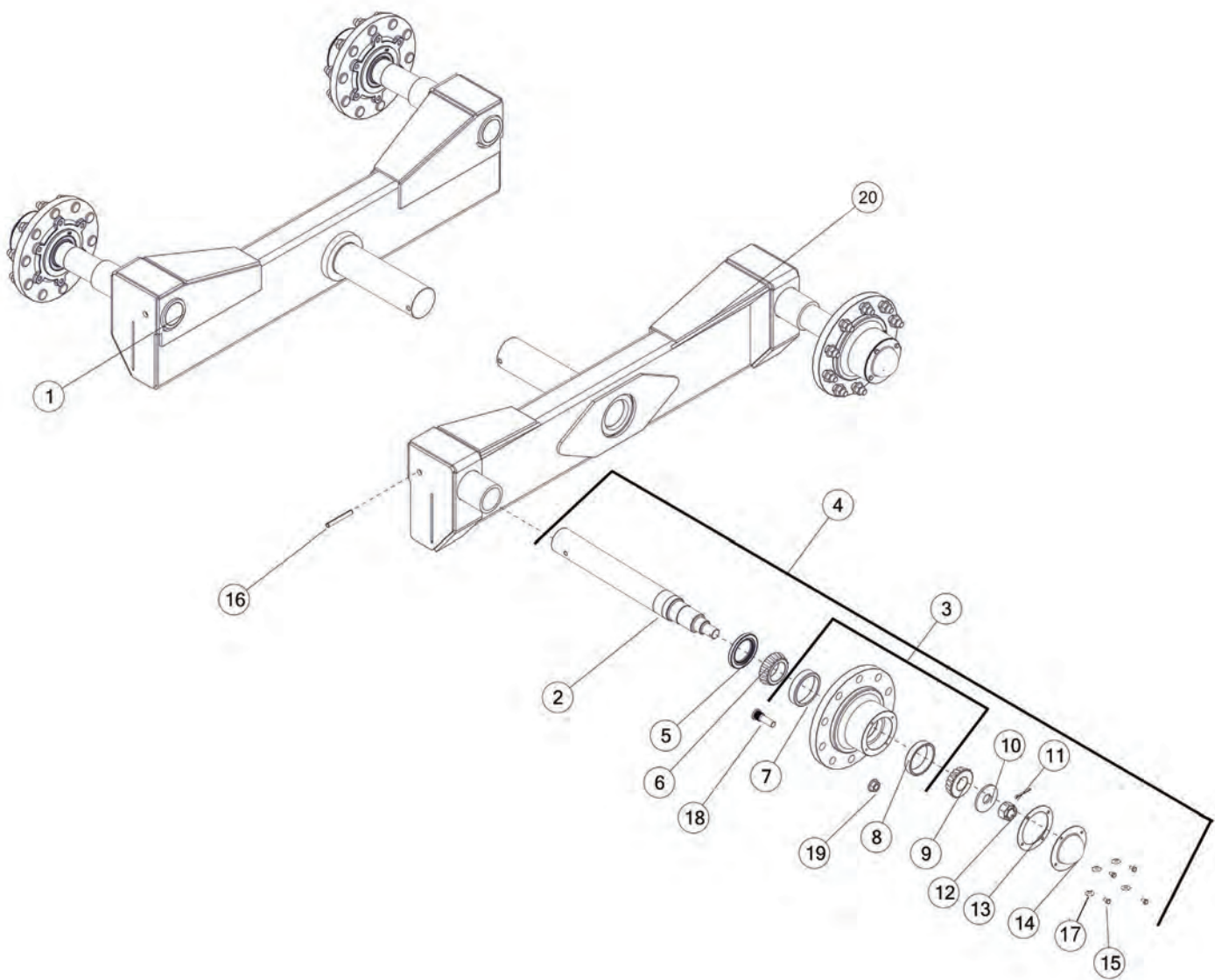




FIGURE 20

TANDEM AXLES - OPTIONAL

REF #	PART #	DESCRIPTION	QTY
1	75451	TANDEM AXLE, RH	1
2	94511	SPINDLE, 3-3/8 X 22-39/64	4
3	93123	HUB	4
4	93136	HUB AND SPINDLE ASSEMBLY	4
5	93128	SEAL	4
6	93125	BEARING CONE	4
7	54504	INNER RACE	4
8	54503	OUTER RACE	4
9	93126	BEARING CONE	4
10	93129	WASHER	4
11	YPCT08007	COTTER PIN, 1/4 X 2	4
12	YNSL36010	NUT SLOT, 1-1/4-12 NA G5	4
13	93130	GASKET	4
14	93131	HUB CAP	4
15	YBHH10105	BOLT HEX, 3/4 X 1/2 G5	16
16	YPEX16020	EXPANSION PIN, 1/2 X 4	4
17	YWLO10005	WASHER LOCK, 5/16	16
18	YBSD24010	BOLT STUD, 3/4 X 2-3/4	40
19	60N14	NUT HEX, FLANGE, 3/4 UNF-28 G8	40
20	75458	TANDEM AXLE, LH	1

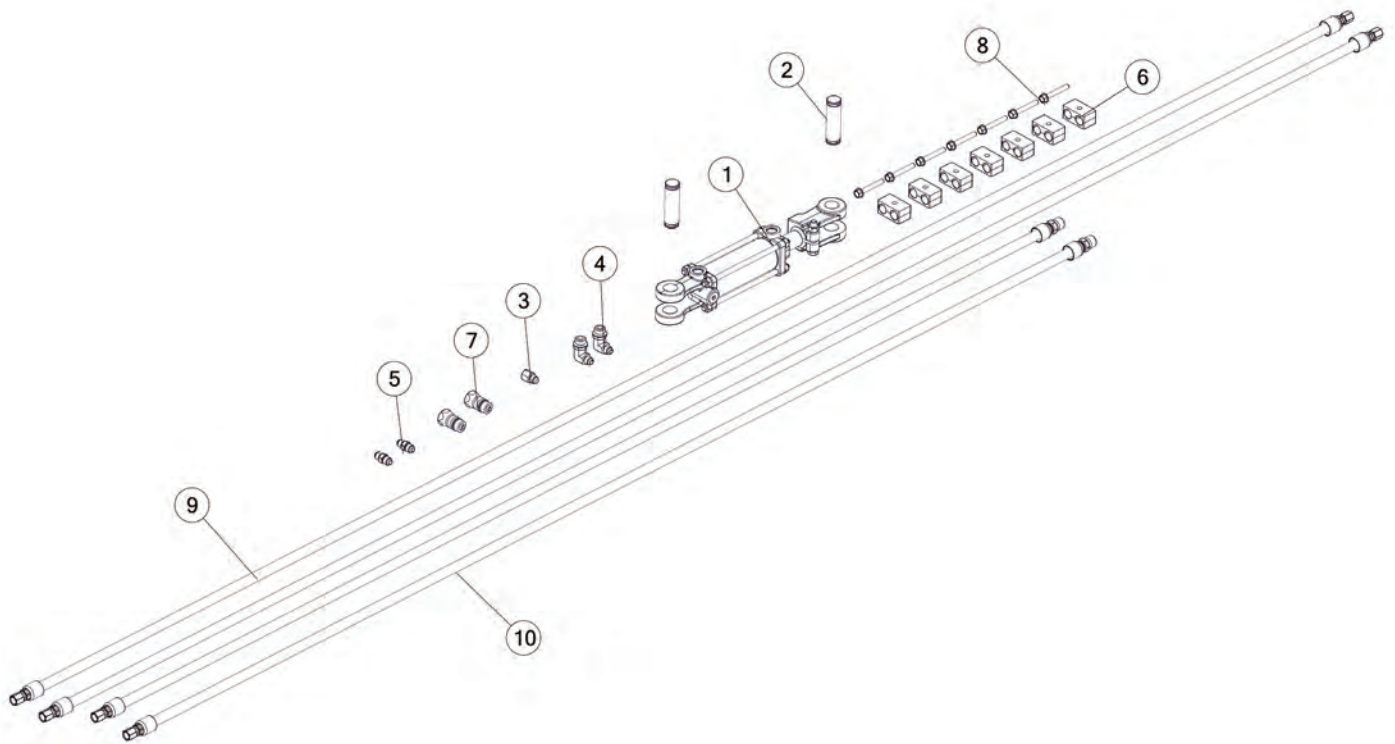




FIGURE 21

DISCHARGE DEFLECTOR HYDRAULIC

OPTIONAL





**FIGURE 21
DISCHARGE DEFLECTOR HYDRAULIC
OPTIONAL**

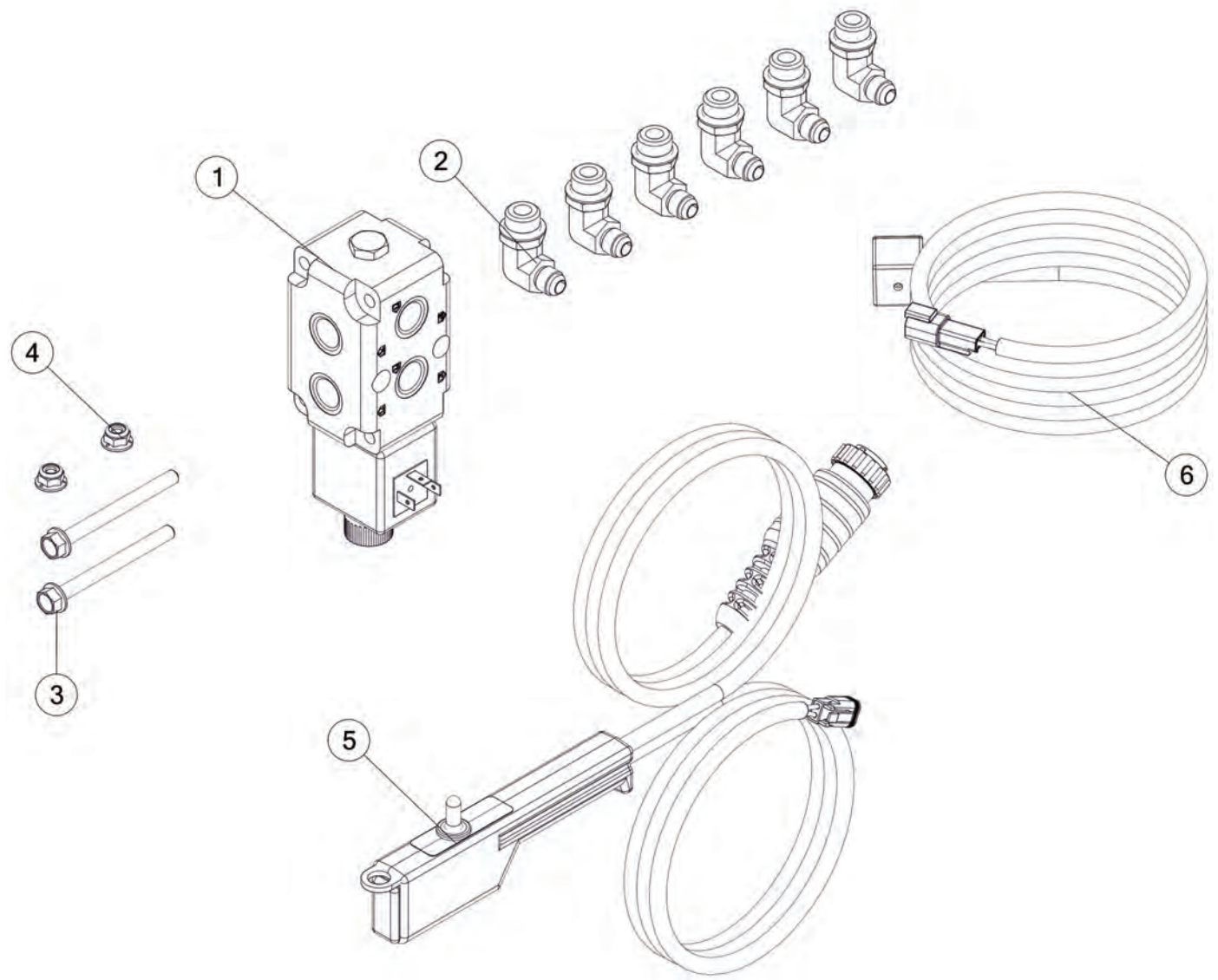
REF #	PART #	DESCRIPTION	QTY
1	70797	CYLINDER, HYDRAULIC, 10.2 X 14.2	1
*	72161	SEAL KIT	1
2	72160	2 CYL TIE ROD	2
3	58142	IN-LINE CONNECTOR, ORIFICE, 6-XHX7-S .031	1
4	CHM206	06 90 DEG TO 3/4-16 ORB FITTING	2
5	CHM258	FITTING ST, 6 JIC, 6 JIC	2
6	CHM278	3/8 TWO LINE CLAMP BLOCK	7
7	DWM205	VMI - MALE QUICK COUPLER S71-4P HYD TIP	2
8	YBFB10225	BOLT FLANGE, 5/16 X 2-1/4 G5	7
9	85446	HYDRAULIC HOSE, 6, 127 IN	2
10	85664	HYDRAULIC HOSE, 6, 94 IN	2





FIGURE 22

ELEC VALVE FOR DISCHARGE DEFLECTOR
HYD CYL - OPTIONAL





H&S MFG. CO.
products approved
for the
FEMA
SEAL OF QUALITY



Manufactured by:
H&S MANUFACTURING CO., INC.
2608 S. HUME AVE. MARSHFIELD, WI 54449
(715) 387-3414 | hsmfgco.com

