



TS5226
MANURE SPREADER
PARTS BOOK

Part #73356 HSMFG073123 Rev. #10 Starting Ser. #422TS26001

STRONG HERITAGE - STRONG PEOPLE - STRONGER FUTURE



INSTRUCTIONS FOR ORDERING PARTS

All service parts should be ordered through your authorized H&S dealer. Your Dealership will be able to give you faster service if you will provide them with the following:

1. All references to left or right apply to the machine as viewed from the rear.
2. Parts should not be ordered from illustration only. Please order complete part number.
3. If your dealer has to order parts - give shipping instructions:

VIA truck - large pieces (please specify local truck lines)

VIA United Parcel Service (include full address)

H&S MFG. CO. INC.	
MARSHFIELD, WIS.	
MOD. NO.	<input type="text"/>
SER. NO.	<input type="text"/>
DESCR.	<input type="text"/>

PLEASE RECORD NUMBERS FOR YOUR UNIT FOR QUICK REFERENCE

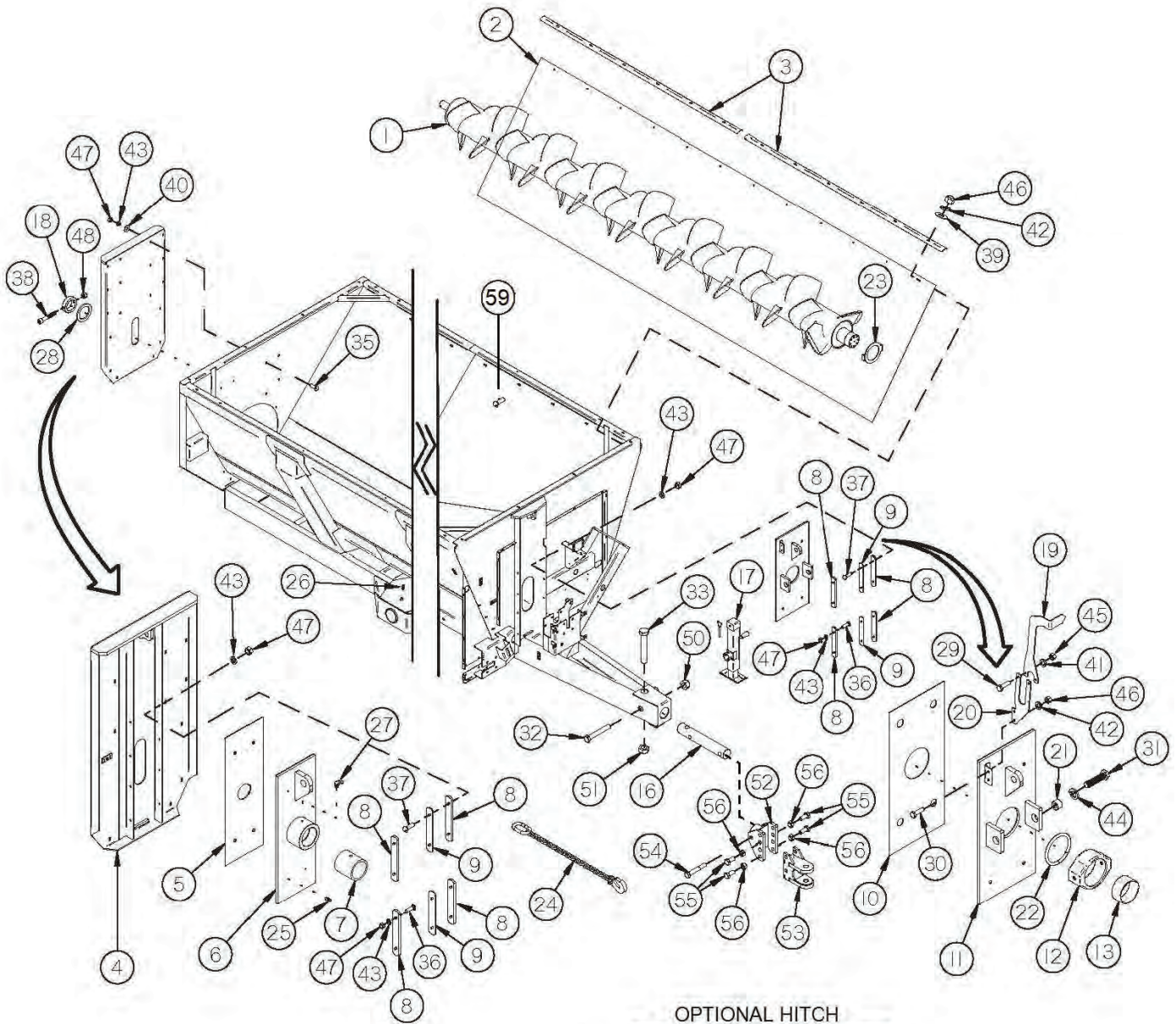
H&S IS CONTINUALLY STRIVING TO IMPROVE ITS PRODUCTS

We must, therefore, reserve the right to make improvements or changes whenever it becomes practical to do so, without incurring any obligation to make changes or additions to the equipment previously sold.





FIGURE 1 AUGER / LINER / SLIDES / HITCH



OPTIONAL HITCH

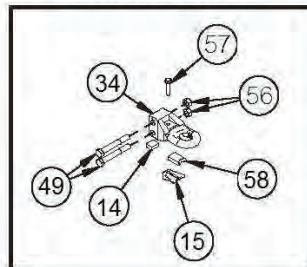




FIGURE 1

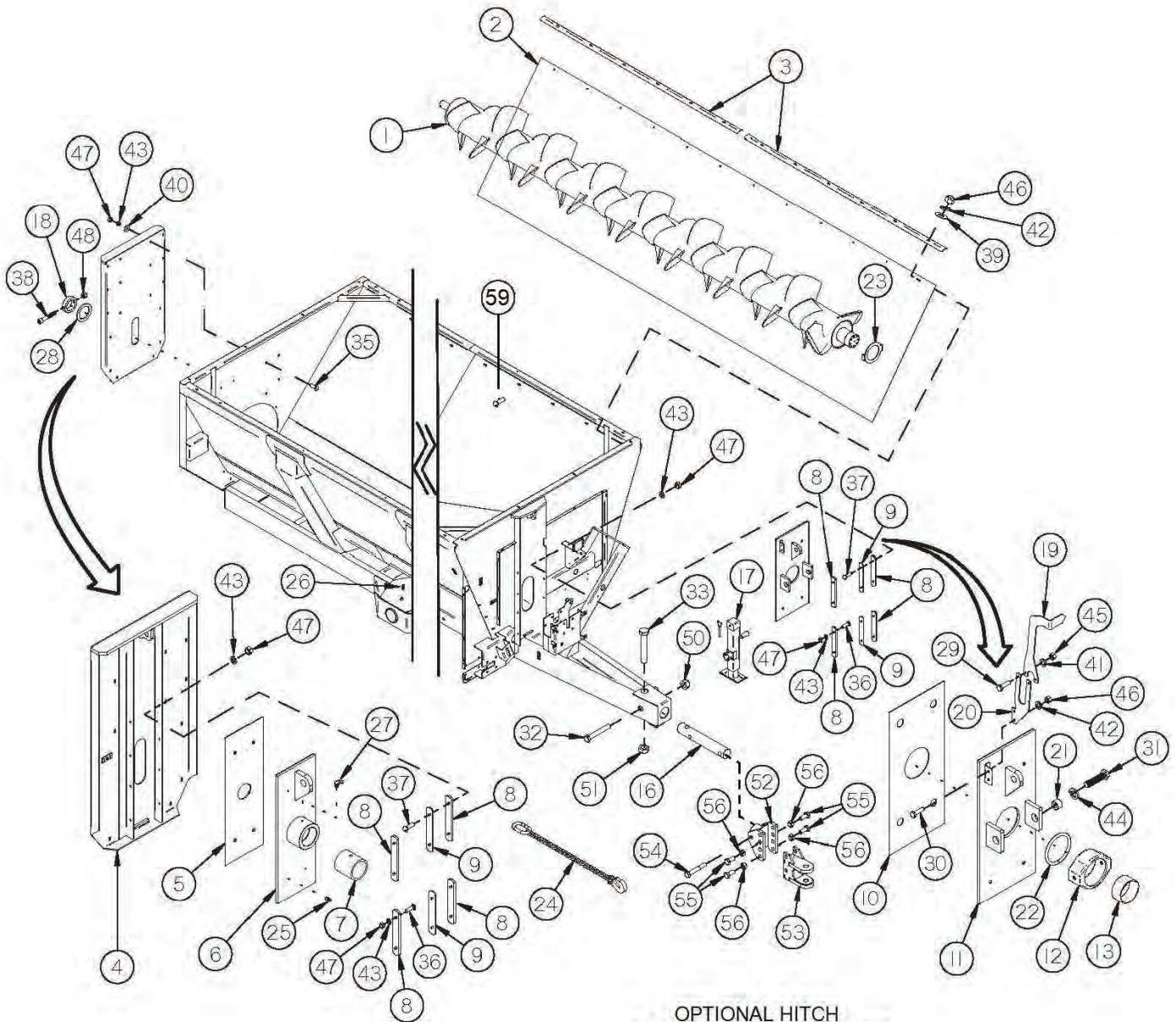
AUGER / LINER / SLIDES / HITCH

REF #	PART #	DESCRIPTION	QTY
1	TS1	AUGER ASSEMBLY	1
2	TS3	WHITE POLY	1
3	TS4	POLY HOLD DOWN, TOP	1
4	TS6	PANEL, REAR	1
5	TS7	SLIDER POLY, REAR	1
6	TS309	SLIDER, REAR	1
7	TS9	POLY BUSHING	1
8	TS10	SLIDER GUIDE	8
9	TS308	SLIDER GUIDE THIN	4
10	TS11	FRONT POLY SIDE	1
11	TS12	FRONT SLIDE PLATE	1
12	TS14	TRUNION HOUSING	1
13	TS15	FRONT AUGER BEARING	1
*	TS399	TRUNION WITH BEARING	1
14	58554	CUSHION	1
15	58559	TOP PLATE	1
16	GM73	HITCH SHAFT	1
17	TS306	JACK	1
18	TS19	AUGER BACK COLLAR	1
19	TS207	AUGER INDICATOR TOP	1
20	TS208	AUGER INDICATOR BOTTOM	1
21	TS330	TRUNION PIVOT BUSHING	2
22	TS33	AUGER SPROCKET RUBBER GASKET SET	1
23	TS102	TRUNION SPACER	1
24	SC40500	SAFETY CHAIN	1
25	G89	GREASE ZERK, 1/4	4
26	BFR28	GREASE ZERK, 1/8	2
27	RG51	GREASE ZERK, 1/4 90 DEGREE	1
28	TS227	SPACER	A/R
*	TS28	SPACER	A/R
29	YBHH08100	BOLT HEX, 1/4 X 3/4 G5	2
30	YBHH10105	BOLT HEX, 5/16 X 3/4 G5	2
31	YBHH20022	BOLT HEX, 5/8 X 1-3/4 G8	2
32	YBHH24083	BOLT HEX, 3/4 X 5 G8	1
33	YBHH32023	BOLT HEX, 1 X 5 G8	1
34	58557	HITCH	1
35	YBCR12010	BOLT CARRIAGE, 3/8 X 1 G5	18
36	YBCR12020	BOLT CARRIAGE, 3/8 X 1-1/4 G5	8
37	YBCR12015	BOLT CARRIAGE, 3/8 X 1-1/2 G5	8





FIGURE 1
AUGER / LINER / SLIDES / HITCH



OPTIONAL HITCH

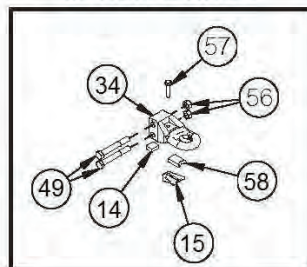




FIGURE 2
AUGER DRIVE

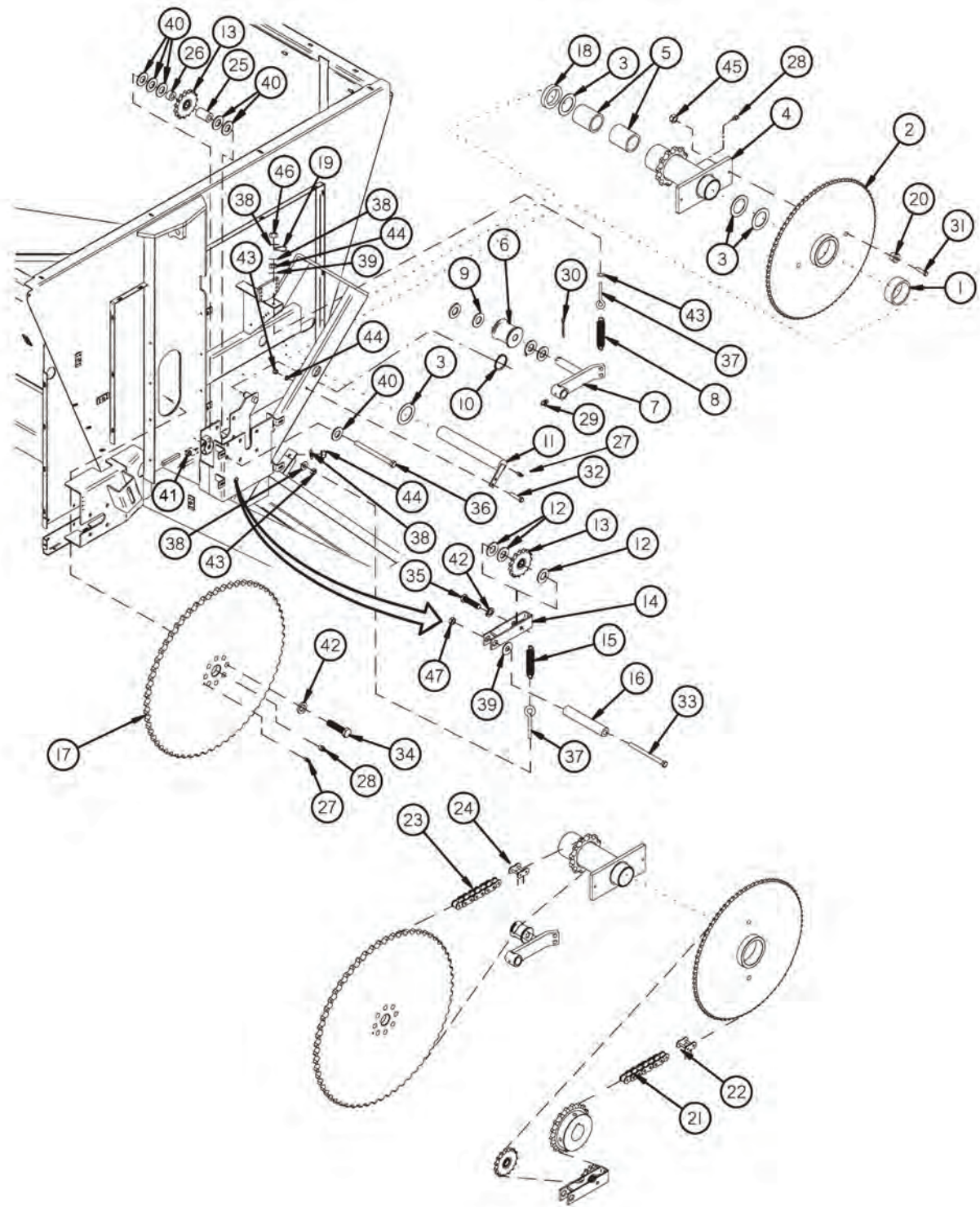




FIGURE 2

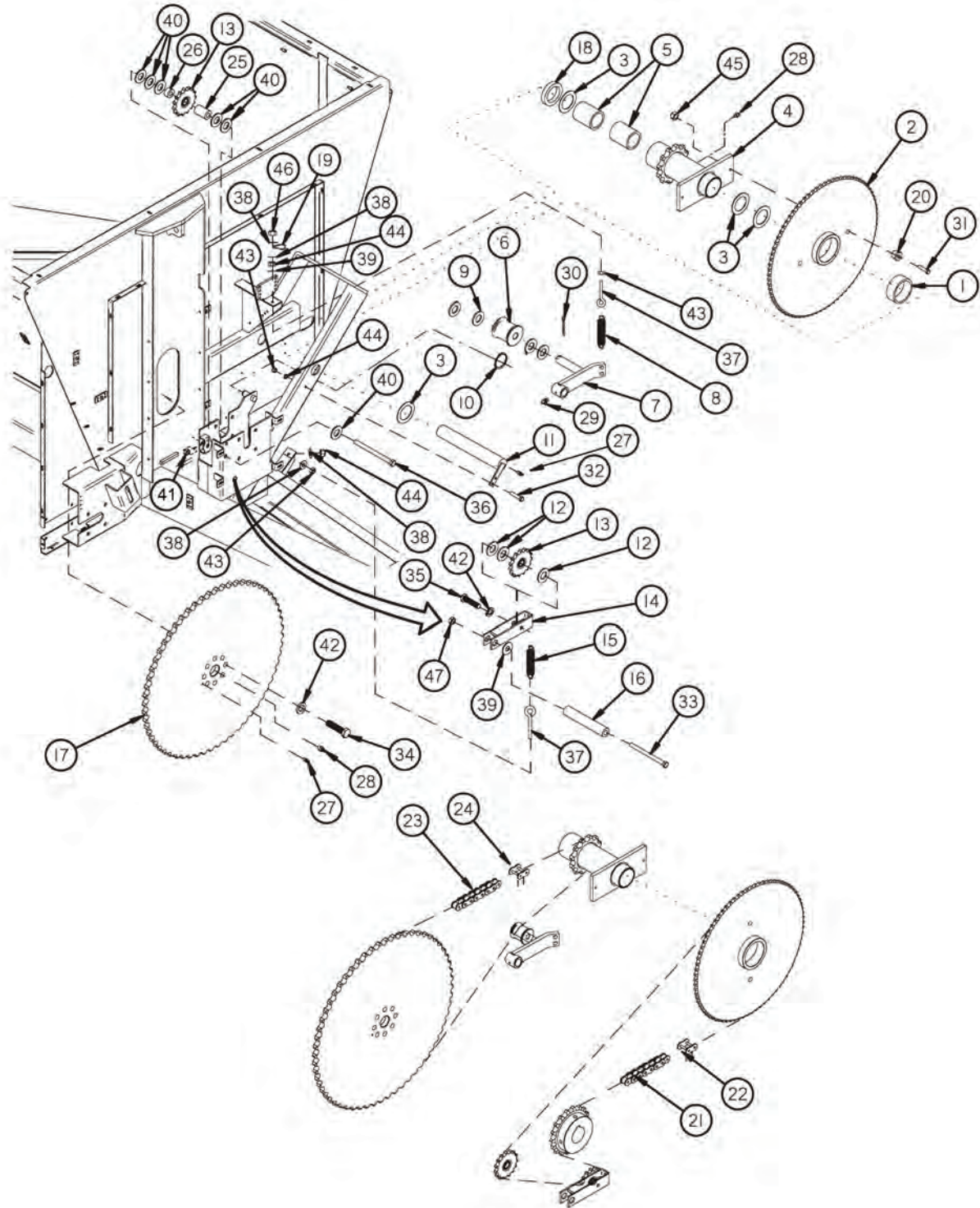
AUGER DRIVE

REF #	PART #	DESCRIPTION	QTY
1	TS20	BRONZE BUSHING	1
2	TS21	SPROCKET 80T (540 RPM)	1
*	TS312	SPROCKET 119T (1000 RPM)	1
3	TS22	SPACER	A/R
*	56N183	SPACER	A/R
4	TS23	COUNTER SHAFT	1
5	73572	BUSHING	2
6	TS25	ROLLER IDLER	1
7	TS26	AUGER CHAIN TENSIONER	1
8	BFR138	SPRING	1
9	YWFL32005	WASHER FLAT, SAE 1 ZINC	4
10	3G21	SNAP RING	1
11	73569	SHAFT	1
12	T73	SPACER	A/R
*	16SV49	SPACER	A/R
13	TS29	SPROCKET/IDLER ASSY	2
14	TS30	IDLER ASSY	1
15	ST36	SPRING/EXTENSION	1
*	GM410	SPRING (1000 RPM ONLY)	1
16	TS31	TENSIONER PIVOT TUBE	1
17	TS32	SPROCKET	1
18	TS328	REDUCTION LARGE SPACER	1
19	HGV72	SMALL TUBE HOLDER	1
20	TS34	HARDENED SHEAR BUSHING	2
21	TS39	ROLLER CHAIN 60HX138 540 RPM 18T&15T SPRCKT	1
*	TS360	ROLLER CHAIN 60HX136 540 RPM 13T SPRCKET	1
*	TS361	ROLLER CHAIN 60HX140 540 RPM 20T SPRCKET	1
*	TS313	ROLLER CHAIN 60HX166 1000 RPM 15T SPRCKET	1
*	TS362	ROLLER CHAIN 60HX165 1000 RPM 13T SPRCKET	1
*	TS363	ROLLER CHAIN 60HX167 1000 RPM 16T SPRCKET	1
22	TS40	CONNECTOR LINK #60H	1
23	TS41	ROLLER CHAIN #100HE X 75	1
24	TS42	CONNECTOR LINK #100H	1
25	TS396	IDLER FRONT SPACER	1
26	TS397	IDLER REAR SPACER	1
27	G89	SRAIGHT ZERK, 1/4 90 DEGREE	2
28	BFR28	GREASE ZERK, 1/8	2
29	RG51	GREASE ZERK, 1/4 90 DEGREE	1
30	YPCT06005	COTTER PIN, 3/16 X 1-1/2	1





FIGURE 2
AUGER DRIVE



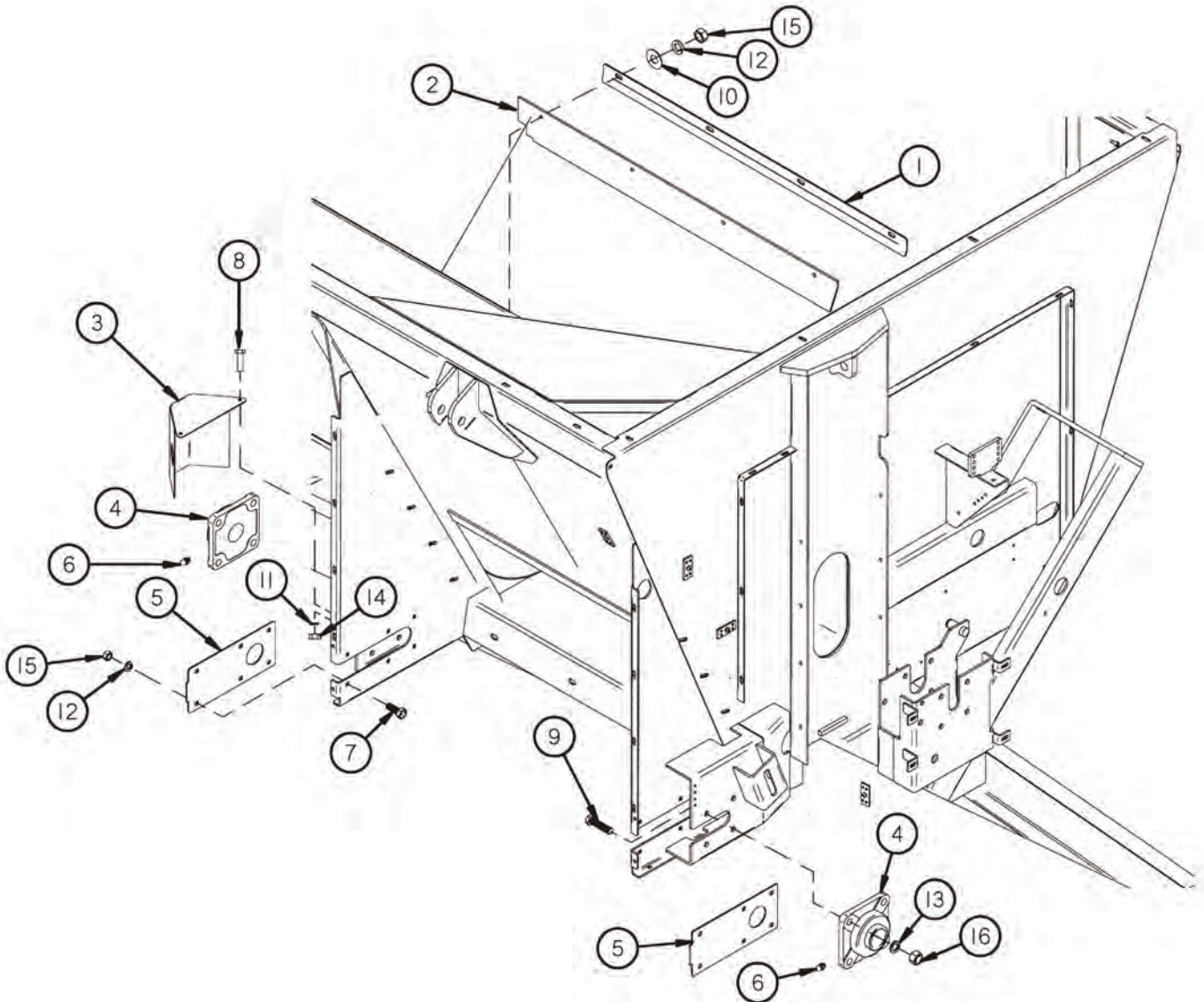




FIGURE 4
EXPELLER / DISCHARGE GATE / DOOR

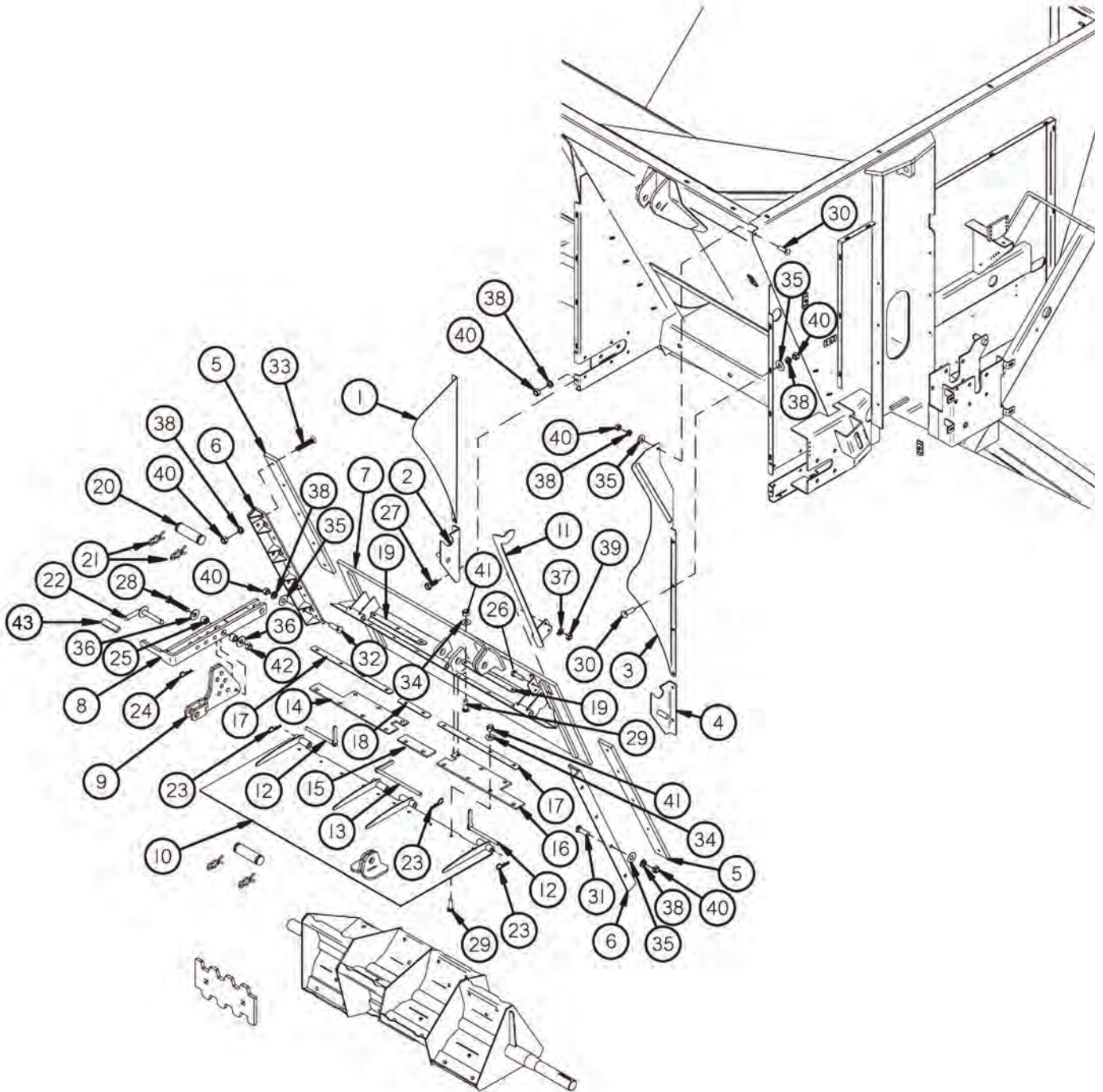




FIGURE 4

EXPELLER / DISCHARGE GATE / DOOR

REF #	PART #	DESCRIPTION	QTY
1	TS48	EXPELLER PANEL EXTENSION LH	1
2	TS49	PAN HINGE BRACKET RH	1
3	TS50	EXPELLER PANEL EXTENSION RH	1
4	TS51	PAN HINGE BRACKET RH	1
5	TS52	DOOR SLIDER POLY	2
6	TS53	EXPELLER DOOR GUIDE	2
7	84592	EXPELLER DOOR	1
8	TS55	DEFLECTOR ADJUSTMENT HANDLE	1
9	84598	DEFLECTOR ADJUSTMENT LINK	1
10	84594	ADJUSTABLE FLAT DEFLECTOR	1
11	TS58	DOOR INDICATOR	1
12	TS59	DEFLECTOR SIDE PIN	2
13	TS60	DEFLECTOR MID PIN	1
14	TS61	DEFLECTOR SEAL LH	1
15	TS62	MID DEFLECTOR SEAL	1
16	TS63	DEFLECTOR SEAL RH	1
17	TS64	SEAL STRAP LONG	2
18	TS65	SEAL STRAP MID	1
19	TS66	SEAL STRAP SHORT	2
20	T143	CYLINDER PIN	2
21	T144	CLIP PIN	4
22	TS69	DEFLECTOR HANDLE PIN	1
23	YPHR02005	HAIR PIN	3
24	WM378	HAIR PIN W/ LANYARD	1
25	TS307	HANDLE PIVOT	2
26	YBHH10105	BOLT HEX, 5/16 X 3/4 G5	2
27	YBHH12010	BOLT HEX, 3/8 X 1 G5	4
28	YBHH16105	BOLT HEX, 1/2 X 3 G5	1
29	YBCR10010	BOLT CARRIAGE, 5/16 X 1 G5	16
30	YBCR12010	BOLT CARRIAGE, 3/8 X 1 G5	9
31	YBCR12020	BOLT CARRIAGE, 3/8 X 1-1/4 G5	7
32	YBCR12015	BOLT CARRIAGE, 3/8 X 1-1/2 G5	1
33	YSFS12005	SCREW SOCKET HEAD, 3/8 X 1-1/4	10
34	YWFL10005	WASHER FLAT, 5/16	16
35	YWFL12005	WASHER FLAT, 3/8	17
36	YWFL16005	WASHER FLAT, 1/2	2
37	YWLO10005	WASHER LOCK, 5/16	2
38	YWLO12005	WASHER LOCK, 3/8	31
39	YNHX10005	NUT HEX, 5/16	2





FIGURE 4
EXPELLER / DISCHARGE GATE / DOOR

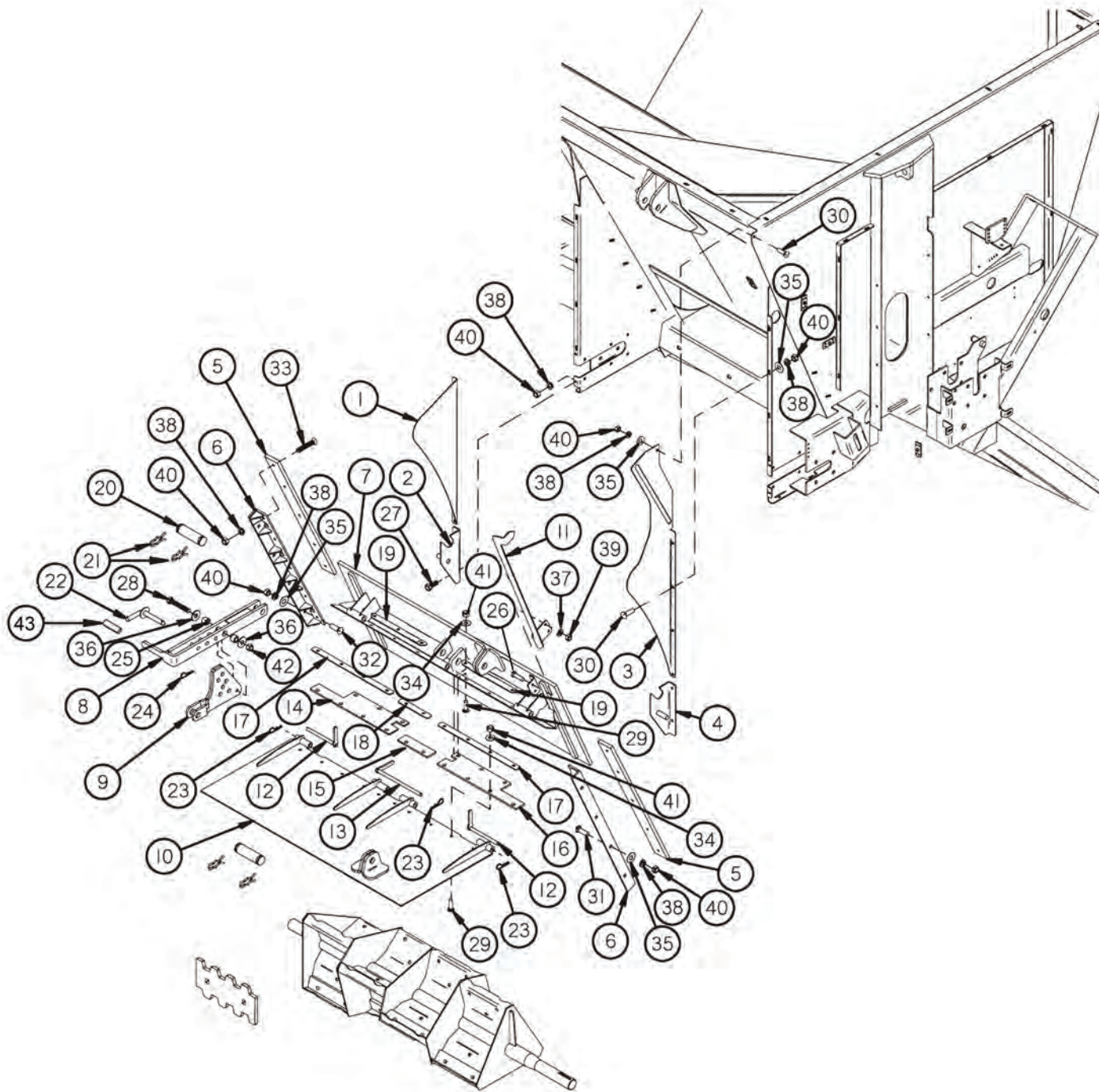




FIGURE 5
EXPELLER / DISCHARGE GATE / PAN

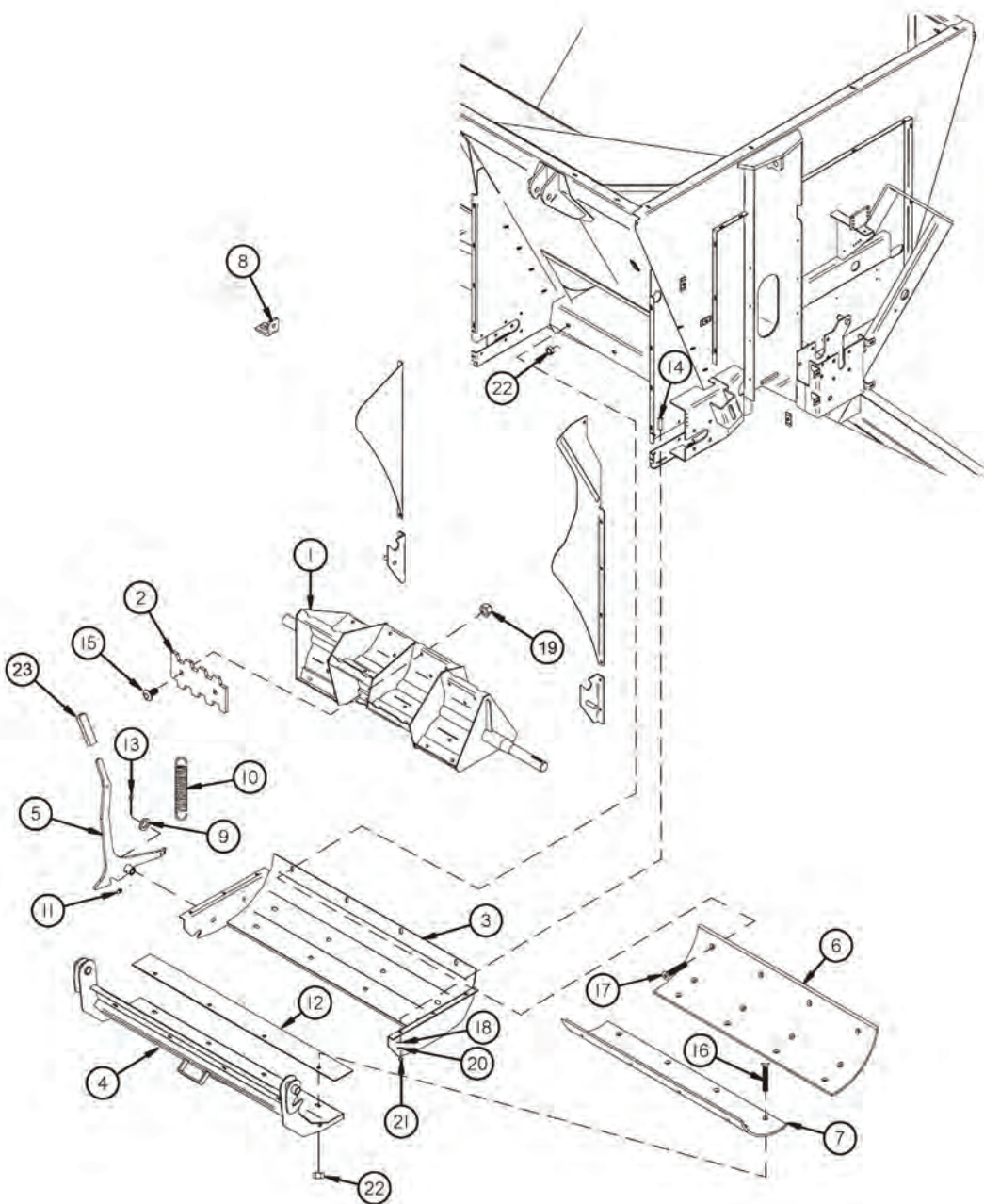




FIGURE 6
INPUT SHAFT / EXPELLER DRIVE

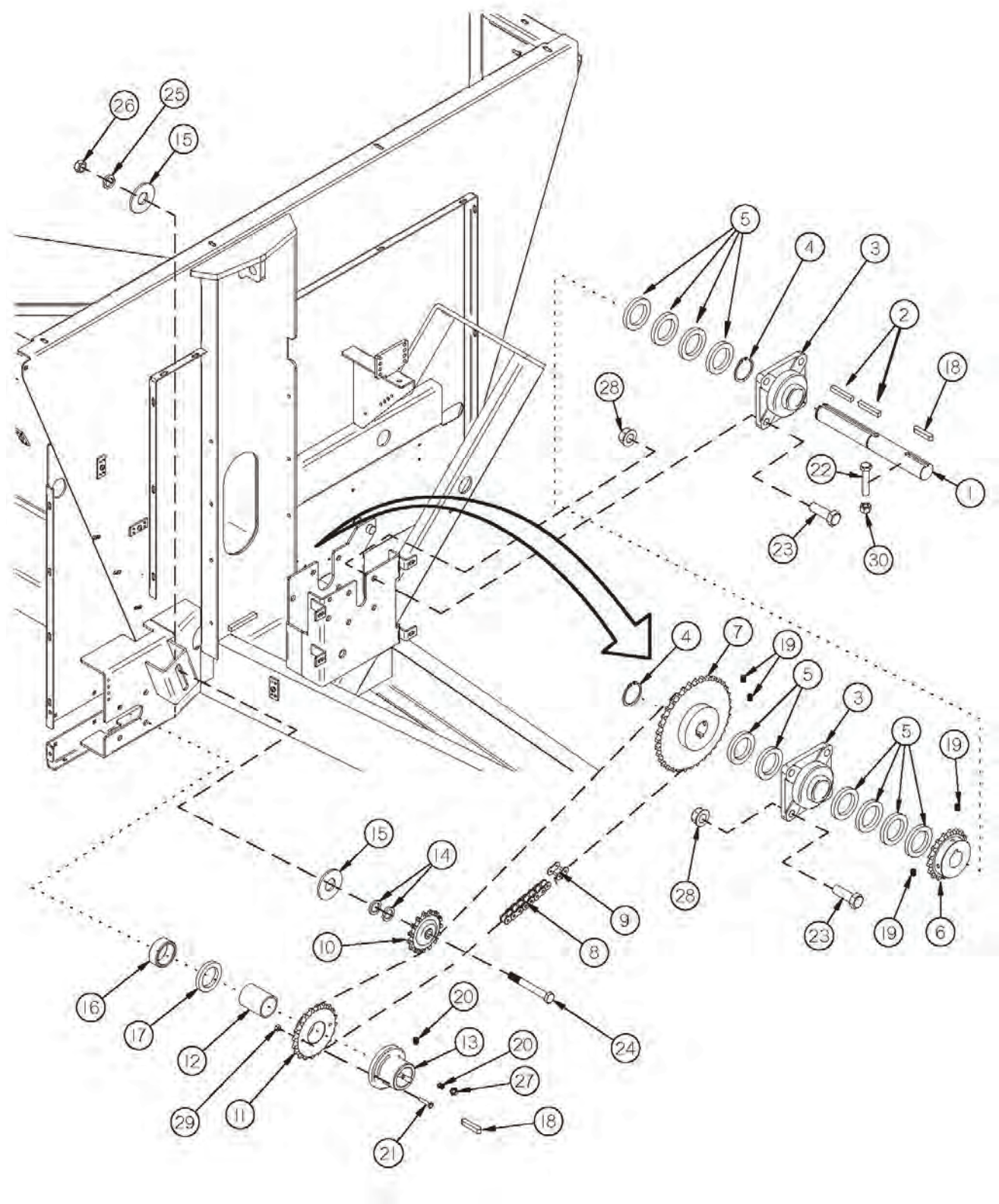




FIGURE 6

INPUT SHAFT / EXPELLER DRIVE

REF #	PART #	DESCRIPTION	QTY
1	93258	INPUT SHAFT	1
2	68856	SQUARE KEY	2
3	12V99	BEARING	2
4	12V62	SNAP RING	2
5	16SV374	SPACER	A/R
*	16SV375	SPACER	A/R
*	16SV439	SPACER	A/R
*	33SV29	SPACER	1
6	TS35	SPROCKET/60B18 STANDARD - 540 RPM	1
*	TS36	SPROCKET/ASSY 13T OPT. - 540 RPM & 1000 RPM	1
*	TS37	SPROCKET/60B15T OPT. - 540 RPM STD. 1000 RPM	1
*	TS38	SPROCKET/60B20 OPTIONAL - 540 RPM	1
*	TS364	SPROCKET/60B16 OPTIONAL - 1000 RPM	1
7	TS79	SPROCKET/60B36 STANDARD - 540 RPM	1
*	TS80	SPROCKET/EXP DRIVE ASSY 30T OPT. - 540 RPM	1
*	TS81	SPROCKET/60X27T OPTIONAL - 540 RPM	1
*	TS38	SPROCKET/60B20 OPTIONAL - 1000 RPM	1
*	TS318	SPROCKET/ASSY 16T OPTIONAL - 1000 RPM	1
*	TS365	SPROCKET/ASSY 15T OPTIONAL - 1000 RPM	1
*	TS366	SPROCKET/ASSY 13T OPTIONAL - 1000 RPM	1
8	TS82	ROLLER CHAIN #60H X 100 540 RPM - 36T SPRCKET	1
*	TS367	ROLLER CHAIN #60H X 97 540 RPM - 30T SPRCKET	1
*	TS368	ROLLER CHAIN #60H X 96 540 RPM - 27T SPRCKET	1
*	TS316	ROLLER CHAIN #60H X 92 1000 RPM - 20T SPRCKET	1
*	TS369	ROLLER CHAIN #60H X 90 1000 RPM - 16T SPRCKET	1
*	TS370	ROLLER CHAIN #60H X 89 1000 RPM - 15T SPRCKET	1
*	TS371	ROLLER CHAIN #60H X 88 1000 RPM - 13T SPRCKET	1
9	TS40	CONNECTOR LINK #60H	1
10	TS29	IDLER SPROCKET	1
11	TS84	SPROCKET (20T)	1
12	TS85	BRONZE BUSHING	1
13	TS86	EXPELLER SOLID SHEAR HUB	1
14	T73	SPACER	A/R
15	F129	TIGHTENER WASHER	2
16	TS329	EXPELLER DRIVE SPACER	1
17	S36	SHIM	A/R
*	S409	SHIM	A/R
18	S138	SQUARE KEY, 3/8 X 2-3/8	2
19	YSKP10010	SCREW SOCKET HEAD, 5/16 X 3/8	4





FIGURE 6
INPUT SHAFT / EXPELLER DRIVE

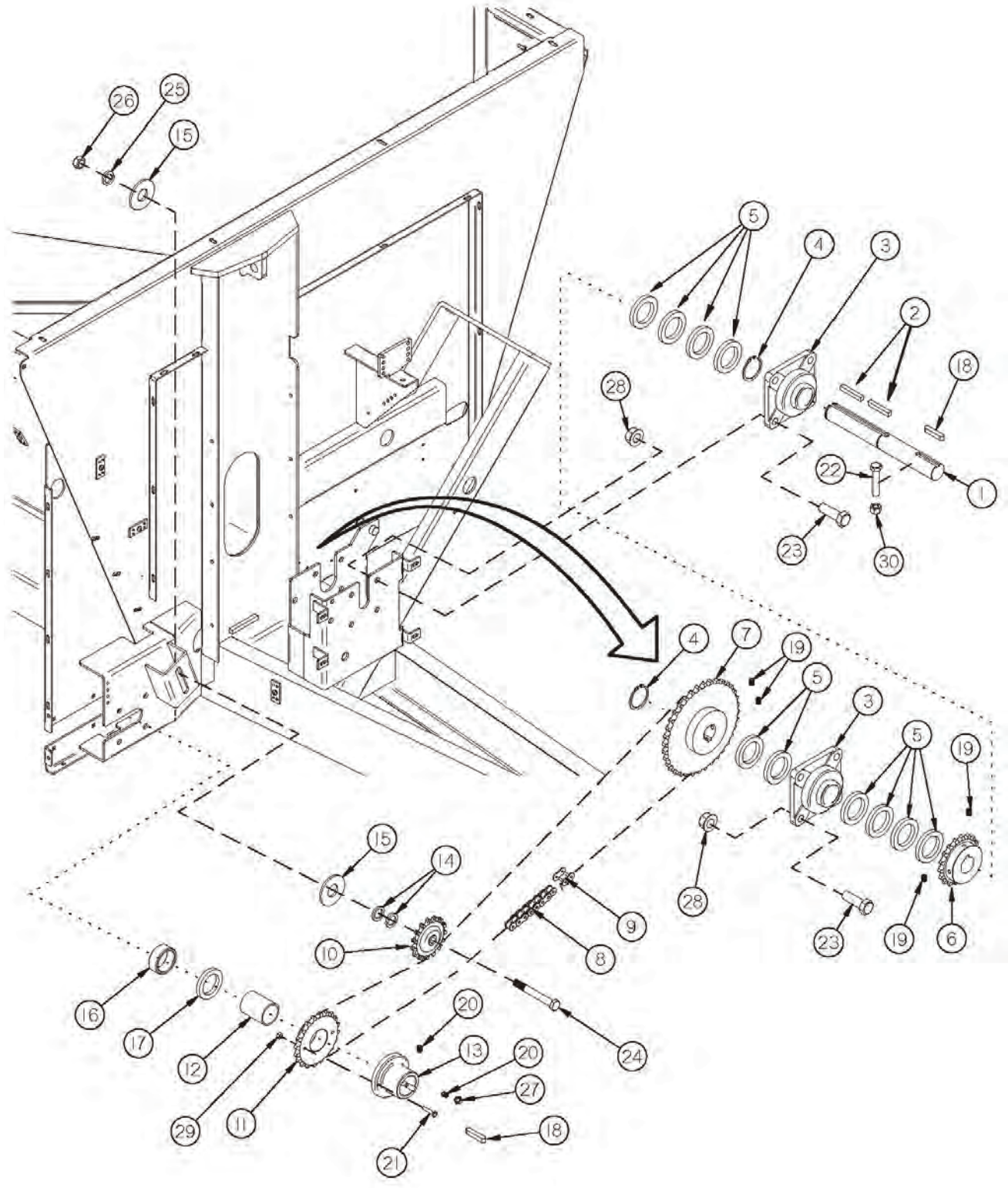




FIGURE 7 GUARDS / SHIELDS

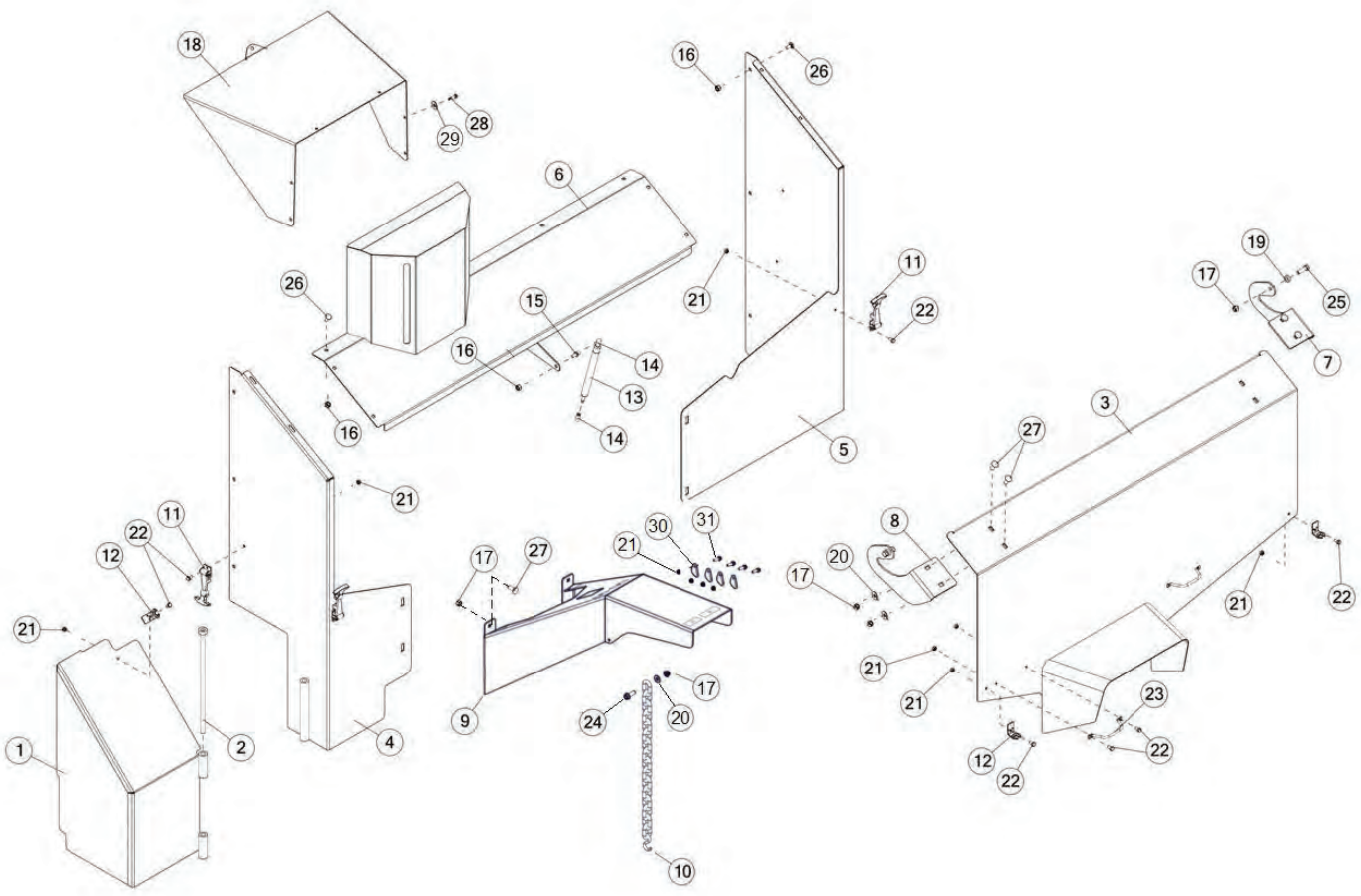




FIGURE 7

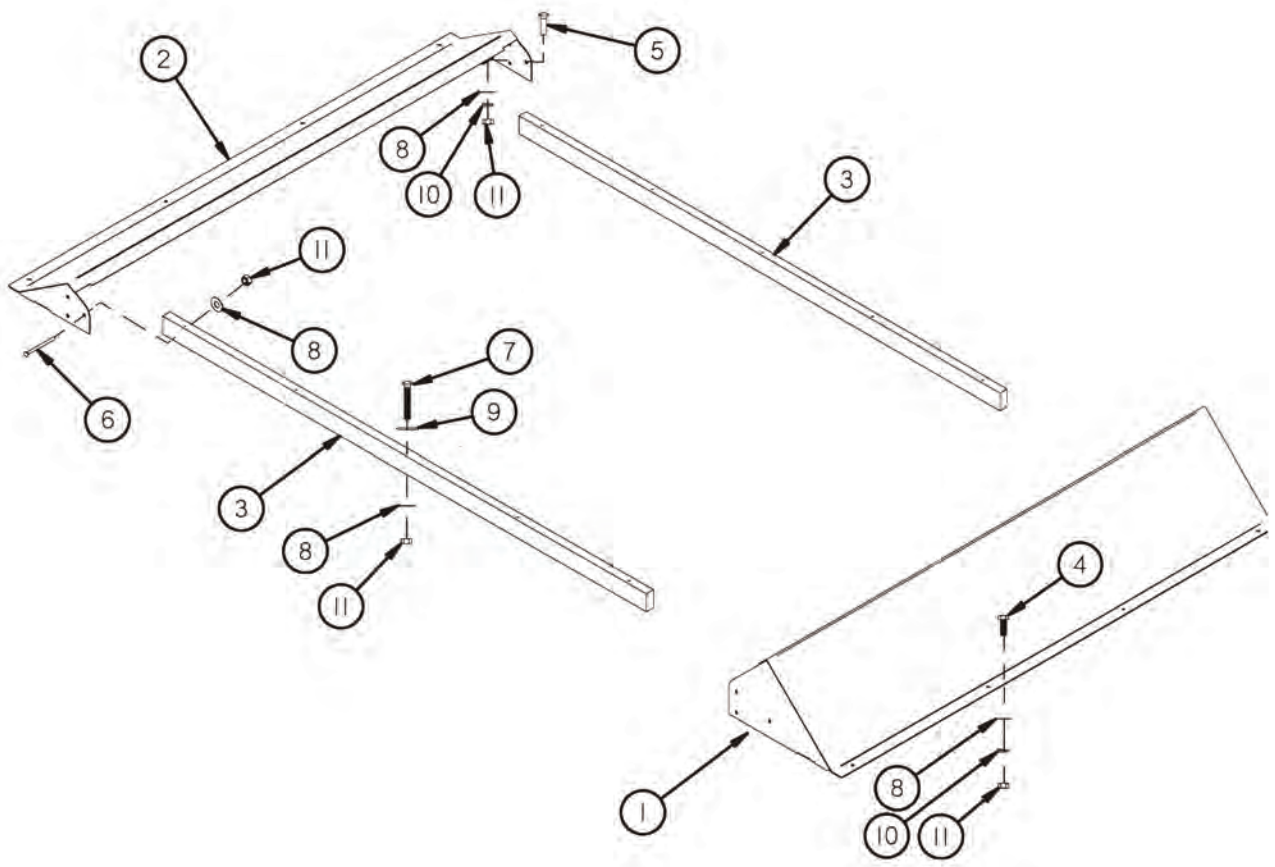
GUARDS / SHIELDS

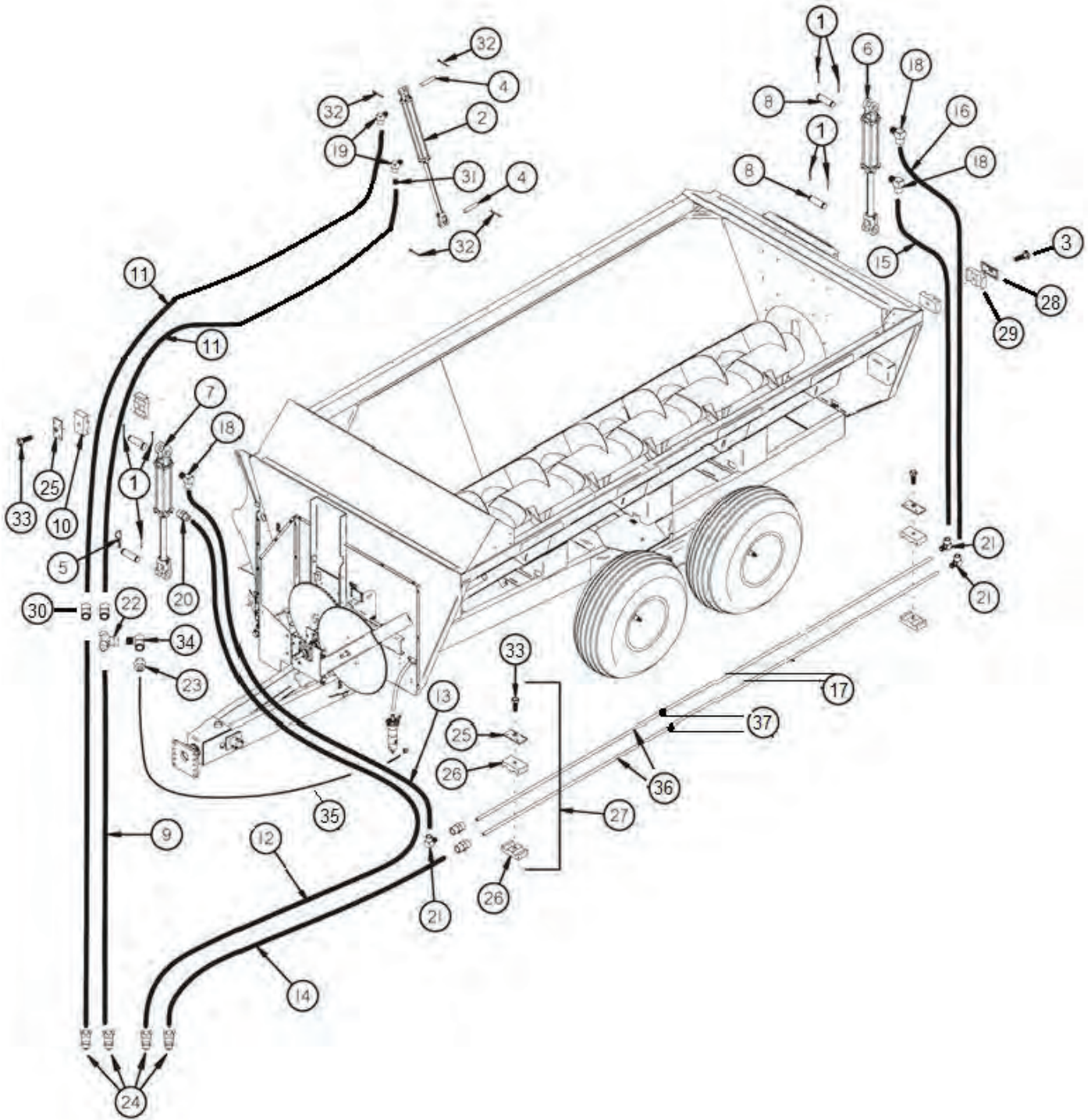
REF #	PART #	DESCRIPTION	QTY
1	TS87B	DRIVE SHIELD W/DECALS	1
2	TS88	SHIELD HINGE	1
3	TS89B	FRONT SHIELD DOOR W/DECALS	1
4	TS90	FRONT SHIELD RH	1
5	TS91	FRONT SHIELD LH	1
6	TS92B	FRONT SHIELD TOP W/DECALS	1
7	TS93	FRONT SHIELD HINGE RH	1
8	TS94	FRONT SHIELD HINGE LH	1
9	98259B	HOSE HOLDER W/DECALS	1
10	TS130	CHAIN PTO HOLDER	1
11	X233	COMPLETE LATCH	3
12	X193	LATCH CATCH	3
13	TS97	GAS SPRING	1
14	TS381	STEEL BALL SOCKET	2
15	TS382	BALL MOUNT	1
16	YNFG10005	NUT FLANGE, 5/16 GF	13
17	YNFG12006	NUT FLANGE, 3/8 GF	6
18	57325	FILLER SHIELD	1
19	TS331	SHIELD HINGE SPACER	2
20	YWFL12005	WASHER FLAT, 3/8	2
21	YNFG08010	NUT FLANGE , 1/4 GF	13
22	YBHH08100	BOLT HEX, 1/4 X 3/4 G5	9
23	TS96	HANDLE	2
24	YBFB12125	BOLT FLANGE, 3/8 X 1-1/4 G5	2
25	YBFB12150	BOLT FLANGE, 3/8 X 1-1/2 G5	2
26	YBCR10030	BOLT CARRIAGE, 5/16 X 3/4 G5	9
27	YBCR12010	BOLT CARRIAGE, 3/8 X 1 G5	6
28	YSDR08005	SCREW SELF DRILLING , 1/4 X 1	7
29	YWFL10005	WASHER FLAT, 5/16	6
30	77200	PLATE, 1.75 X 1.50 X 0.19	4
31	YBFB08075	BOLT FLANGE, 1/4 X 3/4 G5	4





FIGURE 8
SPLASH GUARDS / RAILS







REF #	PART #	DESCRIPTION	QTY
1	YPCT06005	COTTER PIN, 3/16 X 1-1/2	7
2	56015	CYLINDER	1
3	56569	BOLT CLAMP, 5/16 X 1-3/4 G5	7
4	LW55	CYLINDER PIN	2
5	YPHR02010	HAIR PIN	1
6	TS105	CYLINDER	1
7	TS104	CYLINDER	1
8	T143	CYLINDER PIN	4
9	85664	HYD HOSE, 6, 94	2
10	CHM278	CLAMP HALF 3/8 HOSE (SET OF 2)	7
11	85430	HYDRAULIC HOSE, 6, 125	2
12	TS111	HYDRAULIC HOSE 1/2 X 162	1
13	TS112	HYDRAULIC HOSE 1/2 X 56	1
14	TS113	HYDRAULIC HOSE 1/2 X 120	1
15	TS70	HYDRAULIC HOSE 1/2 X 42	1
16	TS71	HYDRAULIC HOSE 1/2 X 52	1
17	89070	HYDRAULIC TUBE, 1/2 X 120	2
18	TS135	STRAIGHT THREAD ELBOW FITTING	2
19	CHM164	FITTING, 90, 6JIC X 3/8NPT	2
20	TS137	-8 MALE O-RING TO -8 MALE JIC	1
21	TFM83	90 DEGREE ELBOW	3
22	CHM242	FITTING, TEE, 6JIC X 6JIC X 6JIC	1
23	73993	FITTING, ST,6JIC, 6NPTF, STL	1
24	DWM205	COUPLER MALE	4
25	56563	CLAMP TOP PLATE	12
26	TS118	LINE CLAMP BLOCK	6
27	TFM91	DOUBLE STEEL LINE CLAMP	3
28	56564	LINE CLAMP CAP	5
29	56596	CLAMP CUSHION (SET OF 2)	5
30	CHM258	UNION (6 HTX-S)	2
31	58142	IN-LINE CONNECTOR, ORIFICE, 6-XHX7-S .031	1
32	YPCT05010	COTTER PIN, 5/32 X 1-1/2	4
33	56568	BOLT HEX, 5/16 X 1-3/8 G5	12
34	58127	FITTING 6 C6X-S	1
35	86383	HYDRAULIC HOSE, 4, 78IN	1
36	89076	HYDRAULIC TUBE, 1/2 X 77	3
37	GM17	ADAPTER (8 HTX)	3





FIGURE 10

TANDEM AXLES

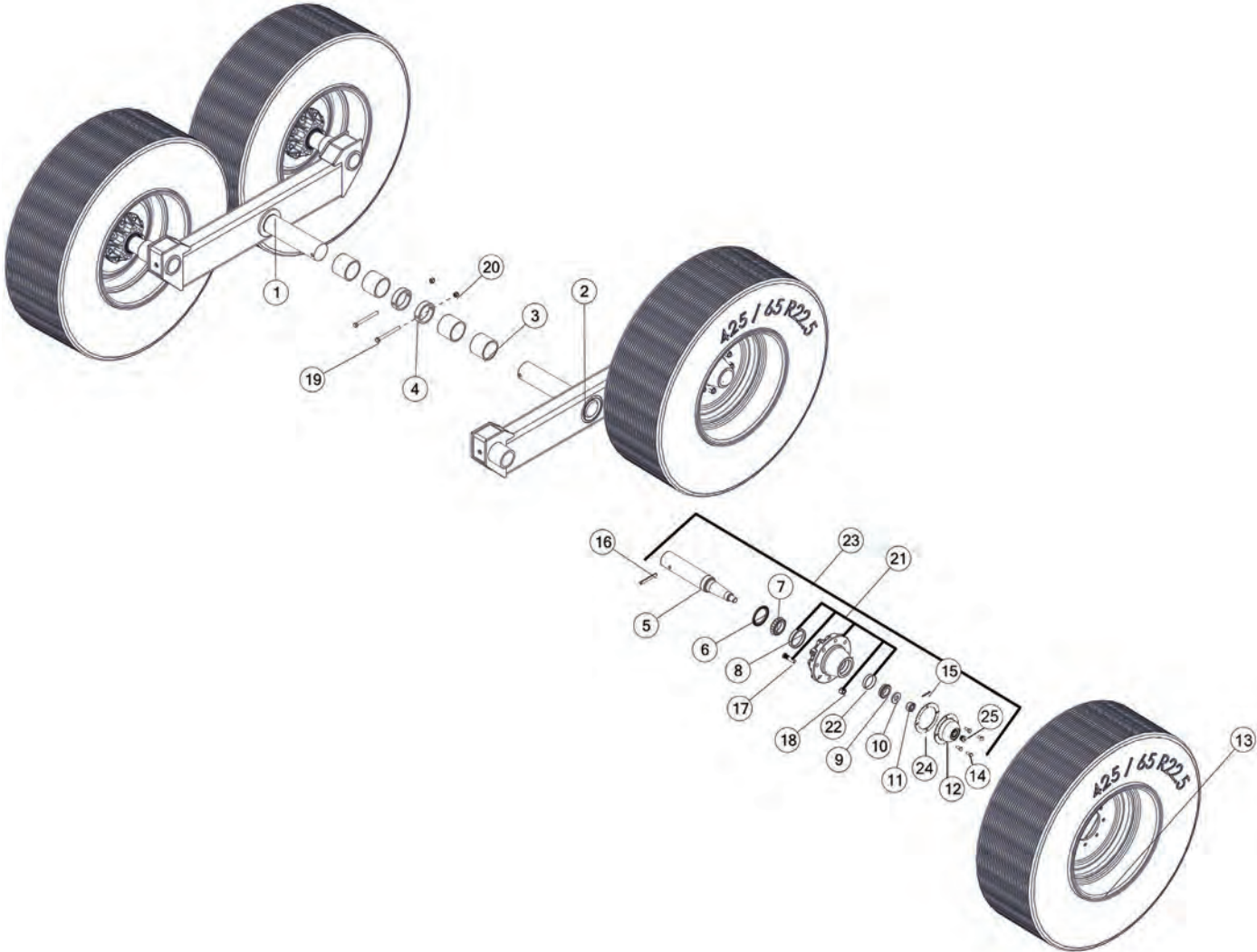
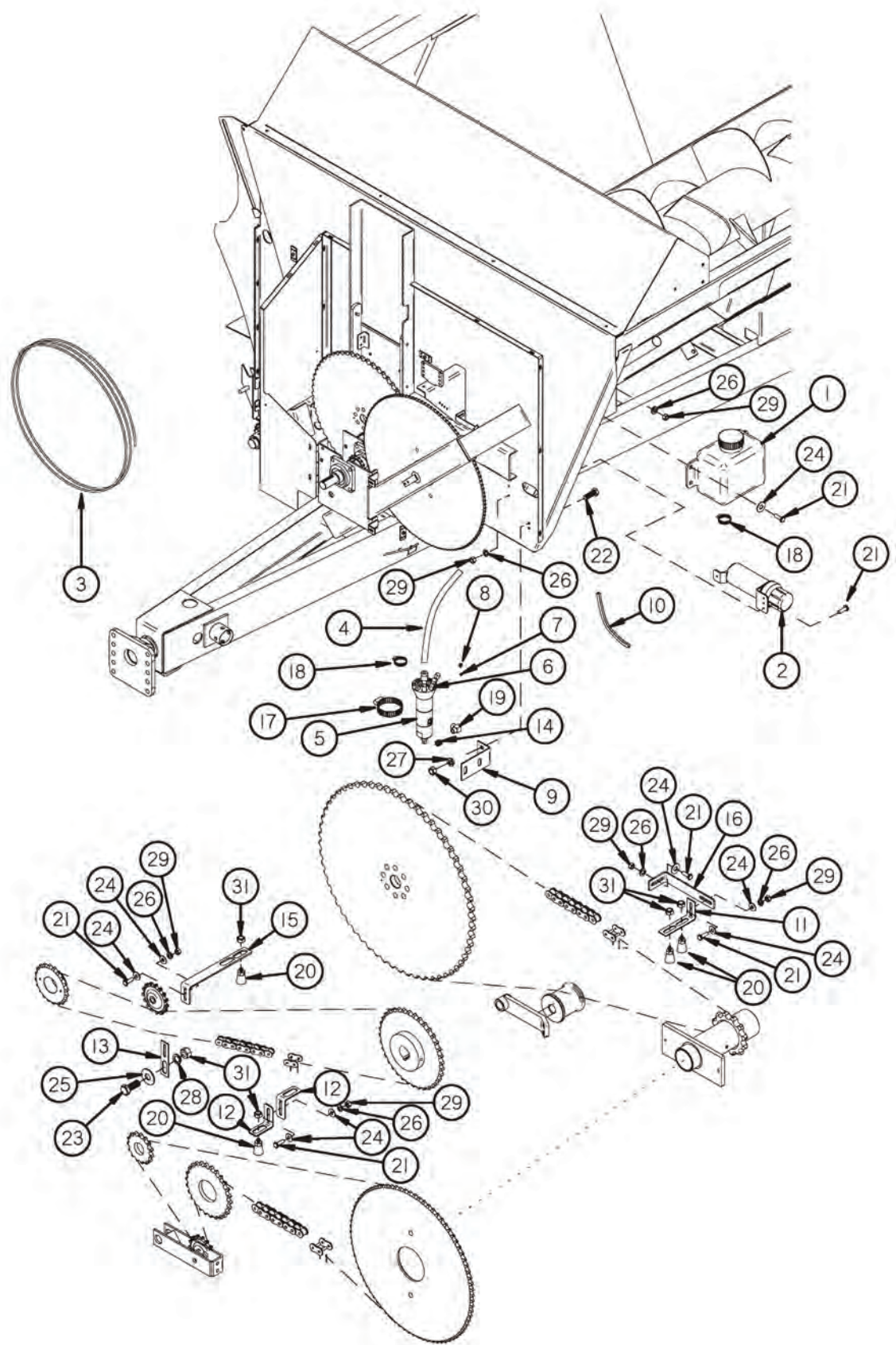




FIGURE 11

OILER KIT



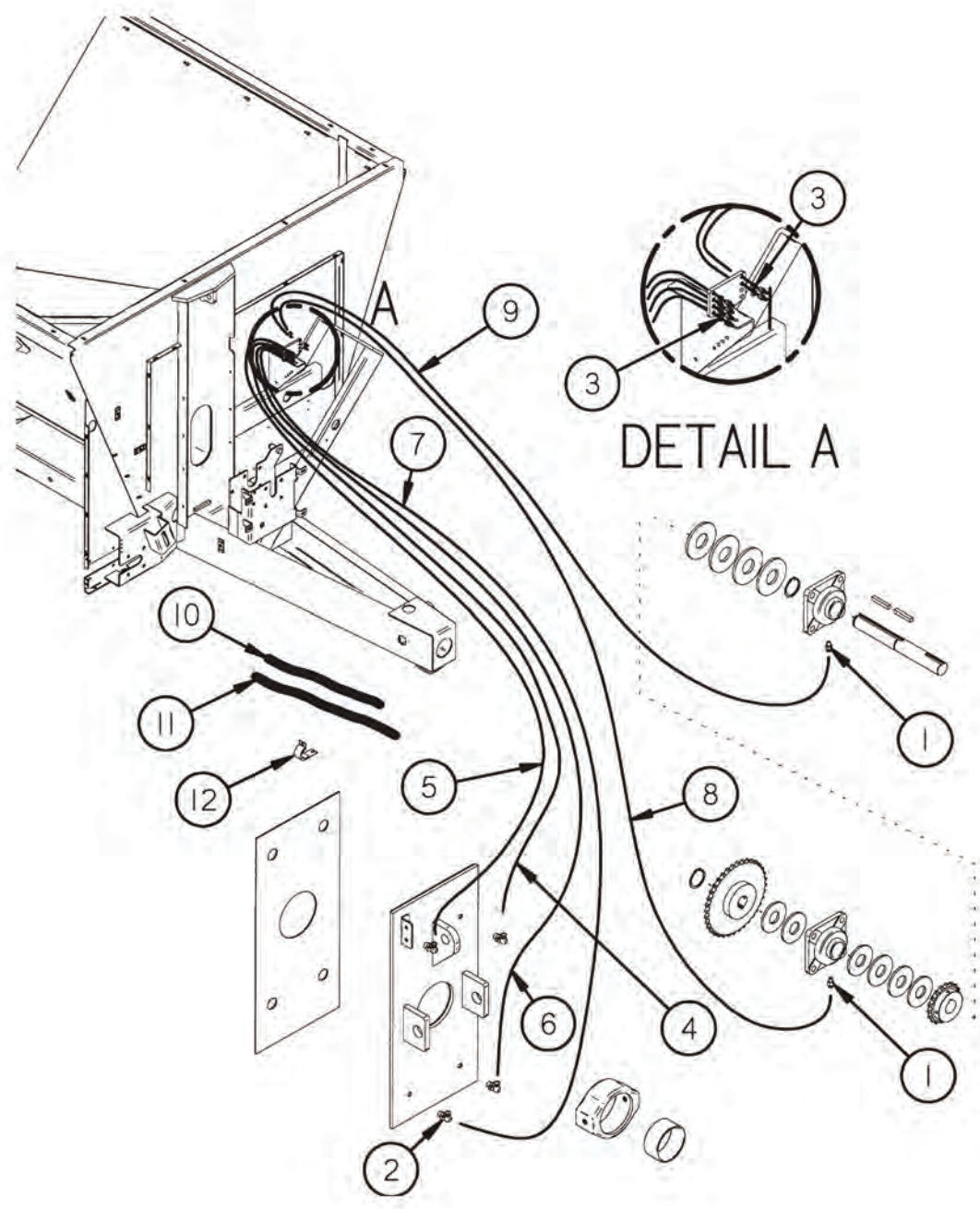


REF #	PART #	DESCRIPTION	QTY
1	HGV63	RESERVOIR	1
2	S522	MANUAL HOLDER	1
3	HGV71	OIL TUBE	1
4	HGV66	FILLER HOSE	1
5	HGV82	PUMP	1
6	YNHX16005	NUT HEX, 1/2	5
7	YNHX12005	NUT HEX, 3/8	2
8	HGV84	MANIFOLD	4
9	HGV68	PUMP MOUNT BRACKET	1
10	HGV77	EDGING	1
11	HGV69	BRUSH BRACKET LONG OILER	2
12	TS98	BRUSH BRACKET SINGLE	2
13	HGV70	BRACKET MOUNT	1
14	TS198	ORIFICE .015	1
15	TS322	BRACKET	1
16	TS196	OILER HANGER	1
*	HGV62	COMPLETE OILER KIT	1
17	HGV74	HOSE CLAMP	1
18	HGV75	HOSE CLAMP	2
19	HGV65	ELBOW	1
20	HGV67	BRUSH	4
21	YBHH08100	BOLT HEX, 1/4 X 3/4 G5	11
22	YBHH12135	BOLT HEX, 3/8 X 3/4 G5	2
23	YBHH16045	BOLT HEX, 1/2 X 1-1/4 G5	1
24	YWFL08005	WASHER FLAT, 1/4	11
25	YWFL16005	WASHER FLAT, 1/2	1
26	YWLO08005	WASHER LOCK, 1/4	11
27	YWLO12005	WASHER LOCK, 3/8	2
28	YWLO16005	WASHER LOCK, 1/2	1
29	YNHX08005	NUT HEX, 1/4	11
30	YNHX12005	HEX NUT, 3/8"-16	2
31	YNHX16005	HEX NUT, 1/2"	5





FIGURE 12
FRONT GREASE LINES



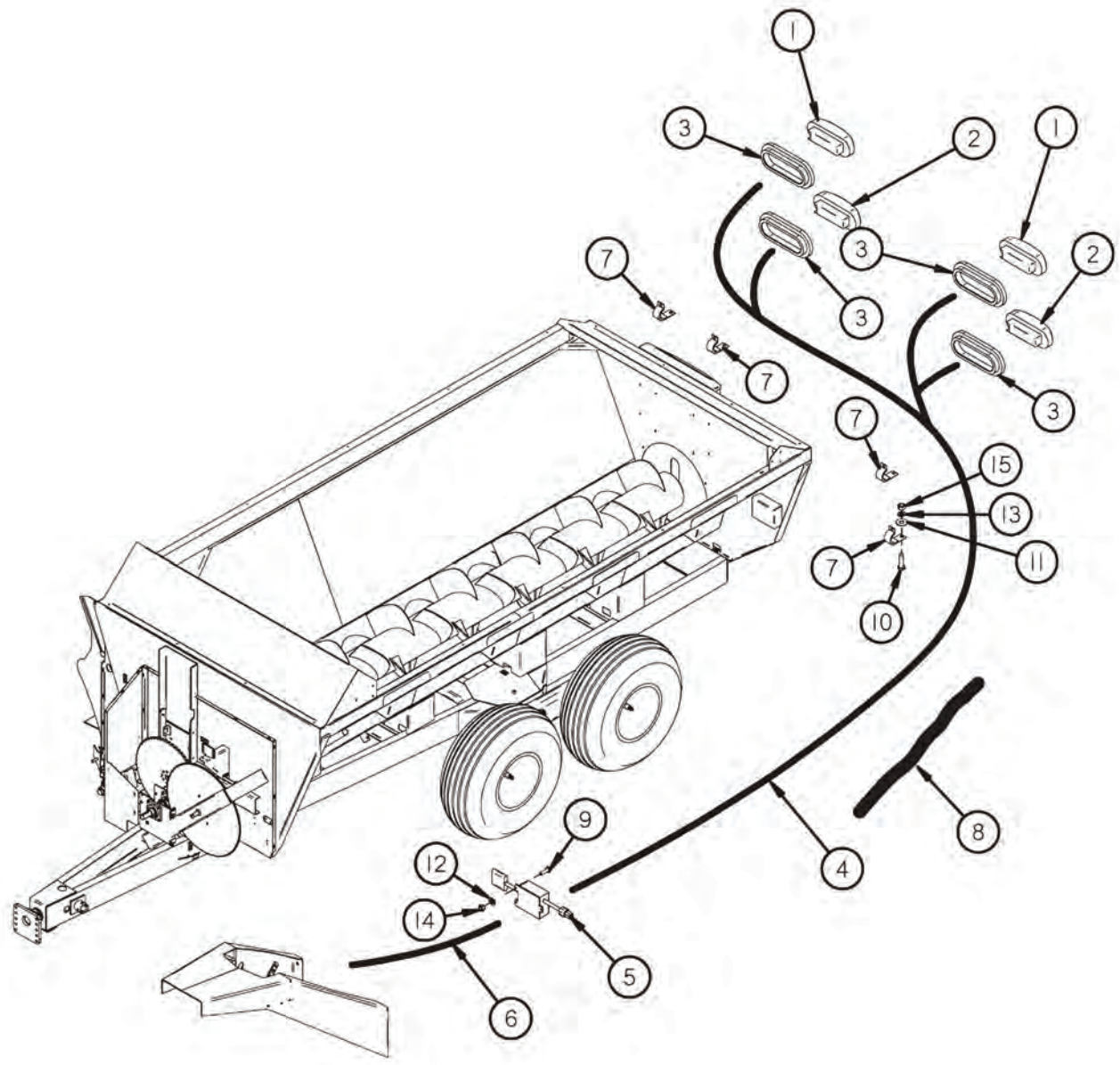
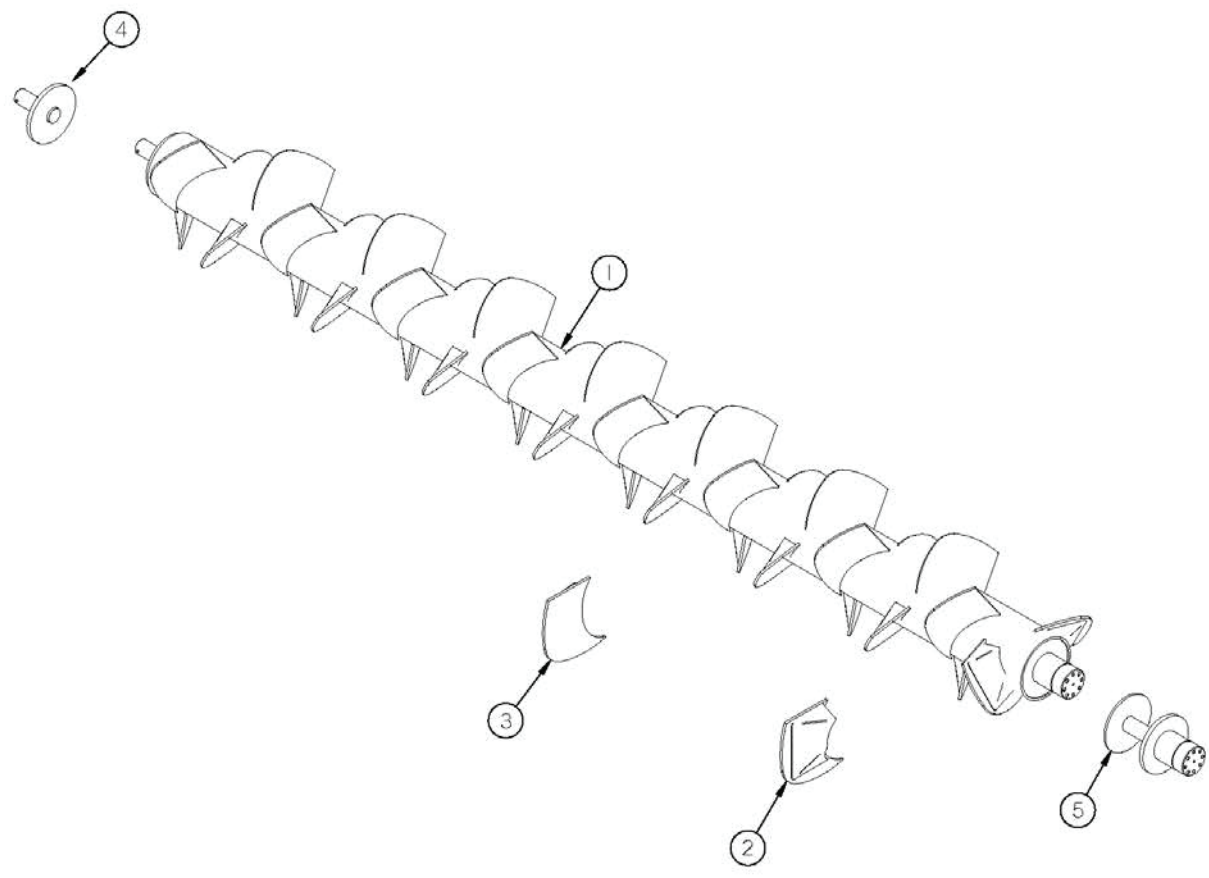




FIGURE 14
AUGER



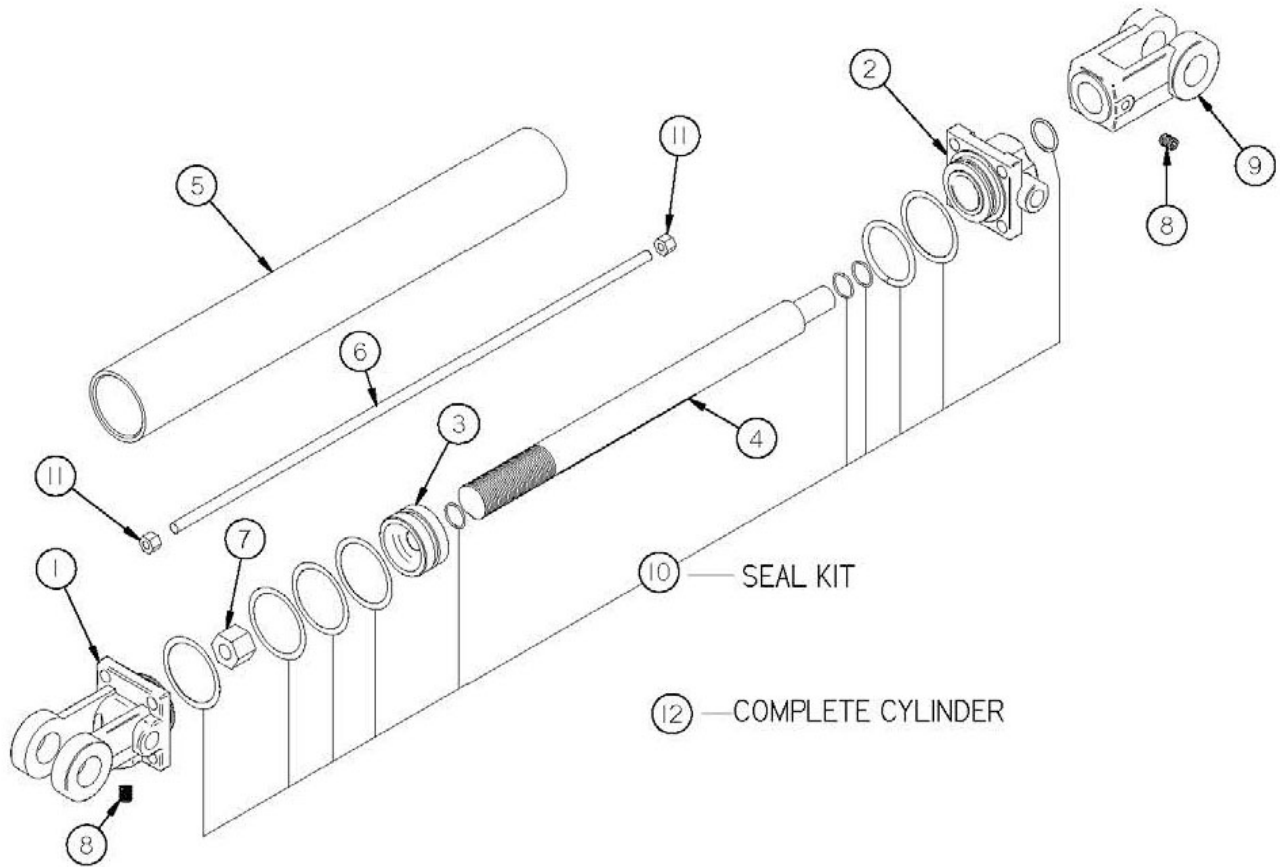




FIGURE 16

EXPELLER DOOR HYDRAULIC CYLINDER

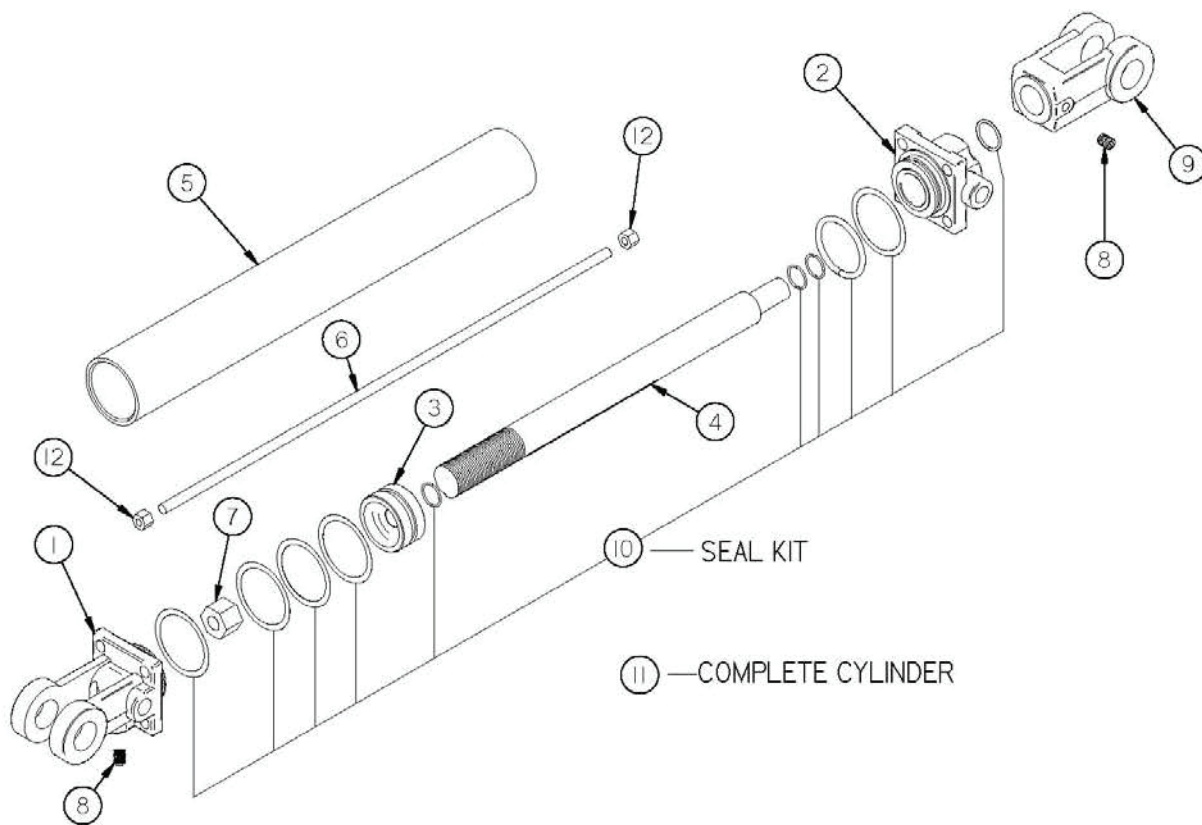
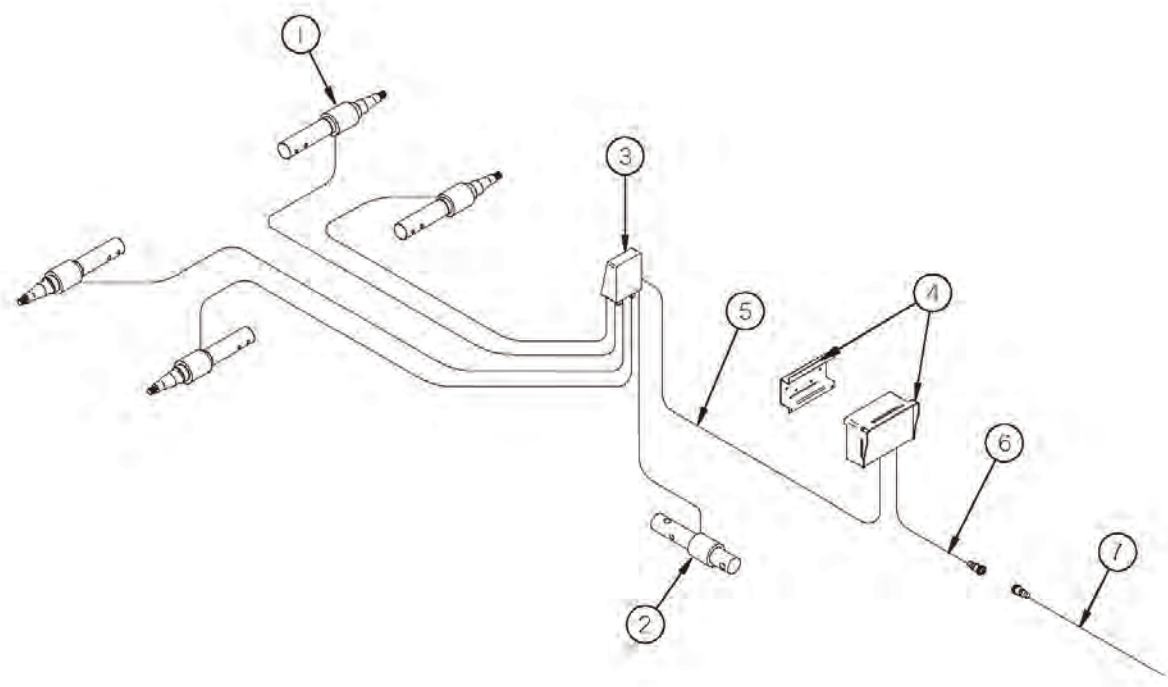




FIGURE 17

SCALE



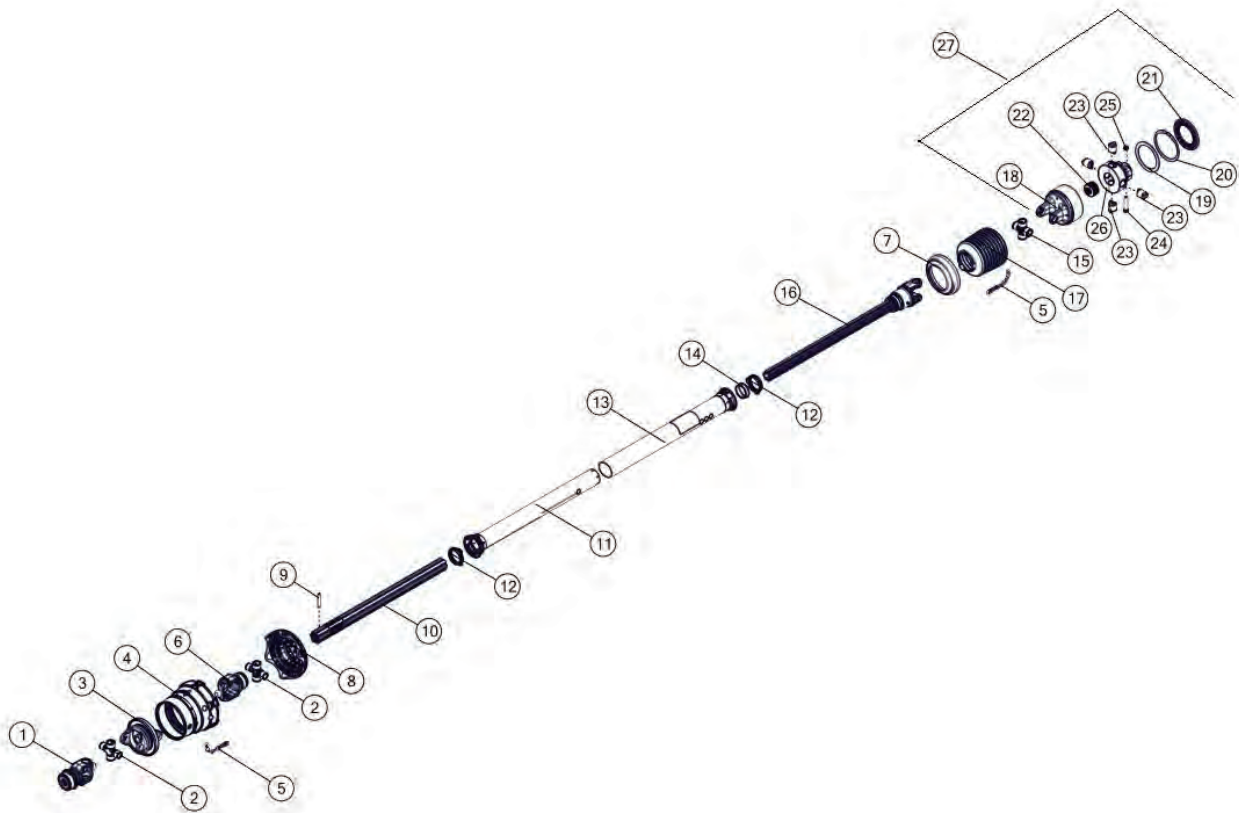




FIGURE 19
1000 RPM PTO - OPTIONAL

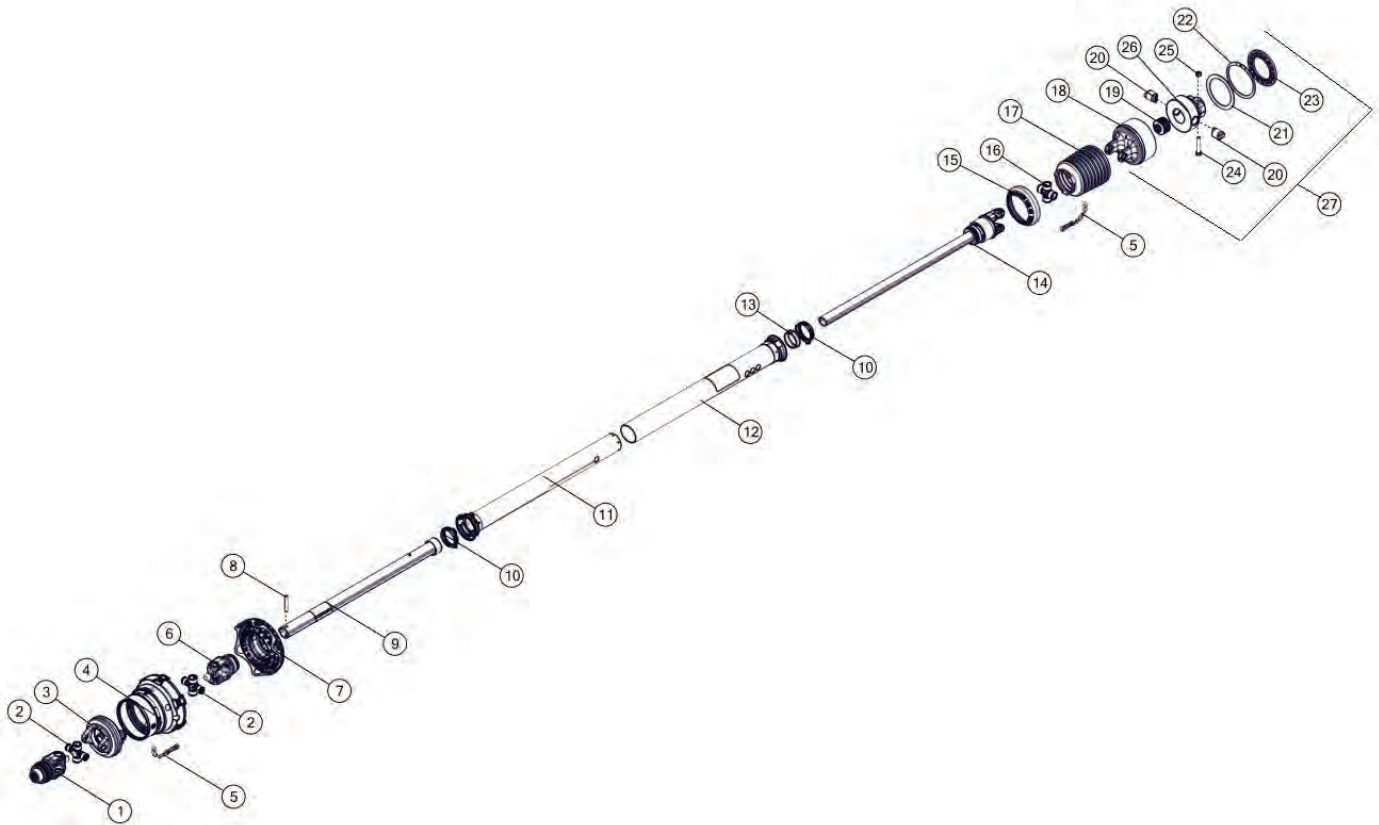




FIGURE 19

1000 RPM PTO - OPTIONAL

REF #	PART #	DESCRIPTION	QTY
1	89767	YOKE ASSEMBLY	1
2	89768	CROSS AND BEARING KIT	2
3	89769	DOUBLE YOKE	1
4	89784	CV GUARD	1
5	87916	RESTRAINT CHAIN	2
6	93221	YOKE ASSEMBLY	1
7	89776	NET GUARD	1
8	89773	SPRING PIN	1
9	93238	OUTER SHAFT	1
10	87919	BEARING RING	2
11	93239	INNER TUBE	1
12	93241	OUTER TUBE	1
13	89793	SUPPORT BEARING	1
14	93240	INNER SHAFT W/ OVERRUNNING CLUTCH	1
15	89792	REINFORCING COLLAR	1
16	89786	CROSS AND BEARING KIT	1
17	93225	GUARD CONE	1
18	93230	HOUSING	1
19	93232	SPRING PACK	1
20	93233	CAM	2
21	93234	WASHER	1
22	93235	RETAINING RING	1
23	93236	SEAL	1
24	YBHH16101	BOLT, 1/2 X 2-3/4 GR 8	1
25	YNTL16005	NUT, HEX, 1/2-13, LKTL, C, ZC	1
26	93242	HUB	1
27	93243	CUT-OUT CLUTCH	1
*	93219	COMPLETE PTO, 1-3/8 1000 RPM	1
*	S402	ADMA SAFETY MANUAL	1





FIGURE 20

TANDEM AXLES - OPTIONAL

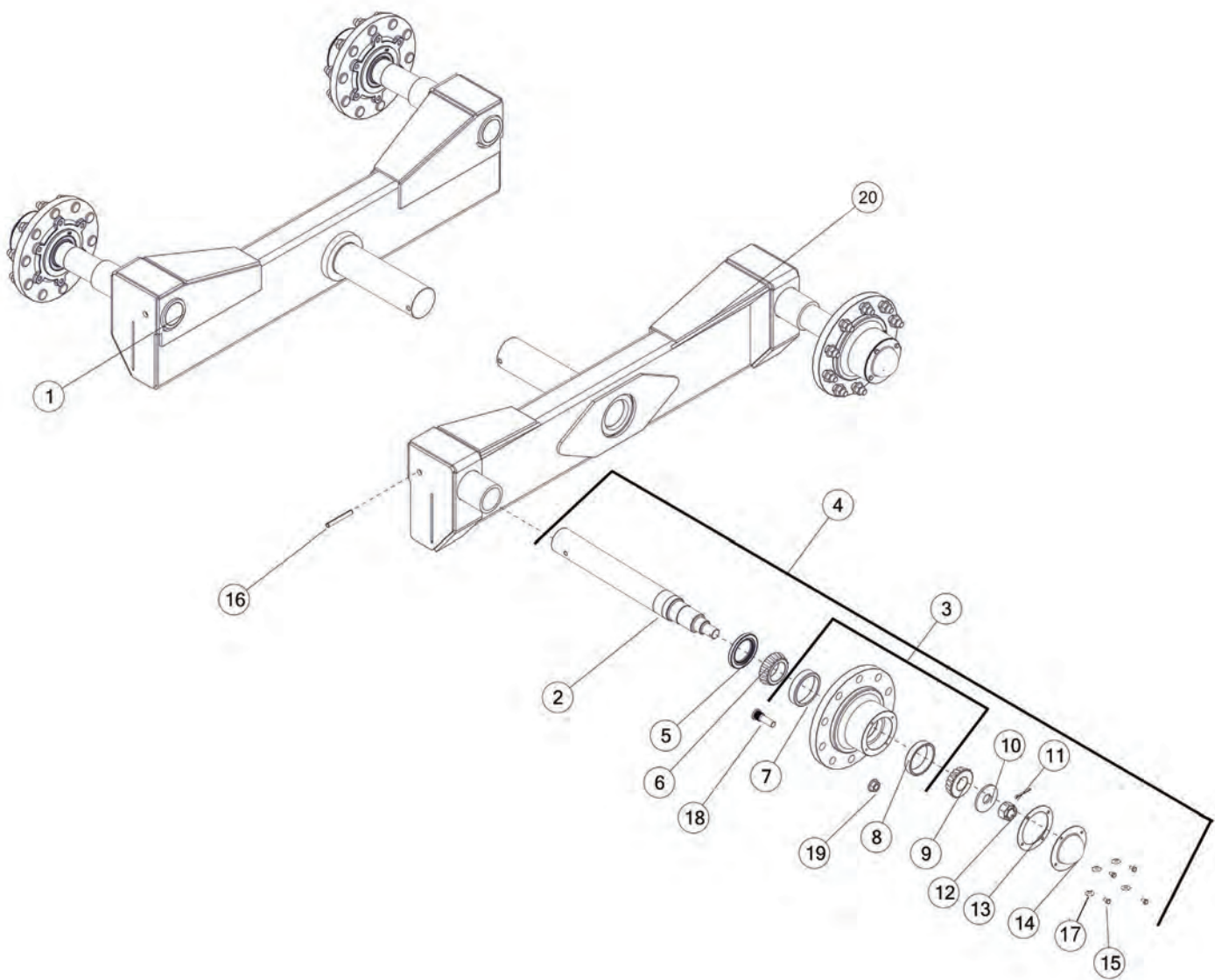




FIGURE 21
DISCHARGE DEFLECTOR HYDRAULIC
OPTIONAL

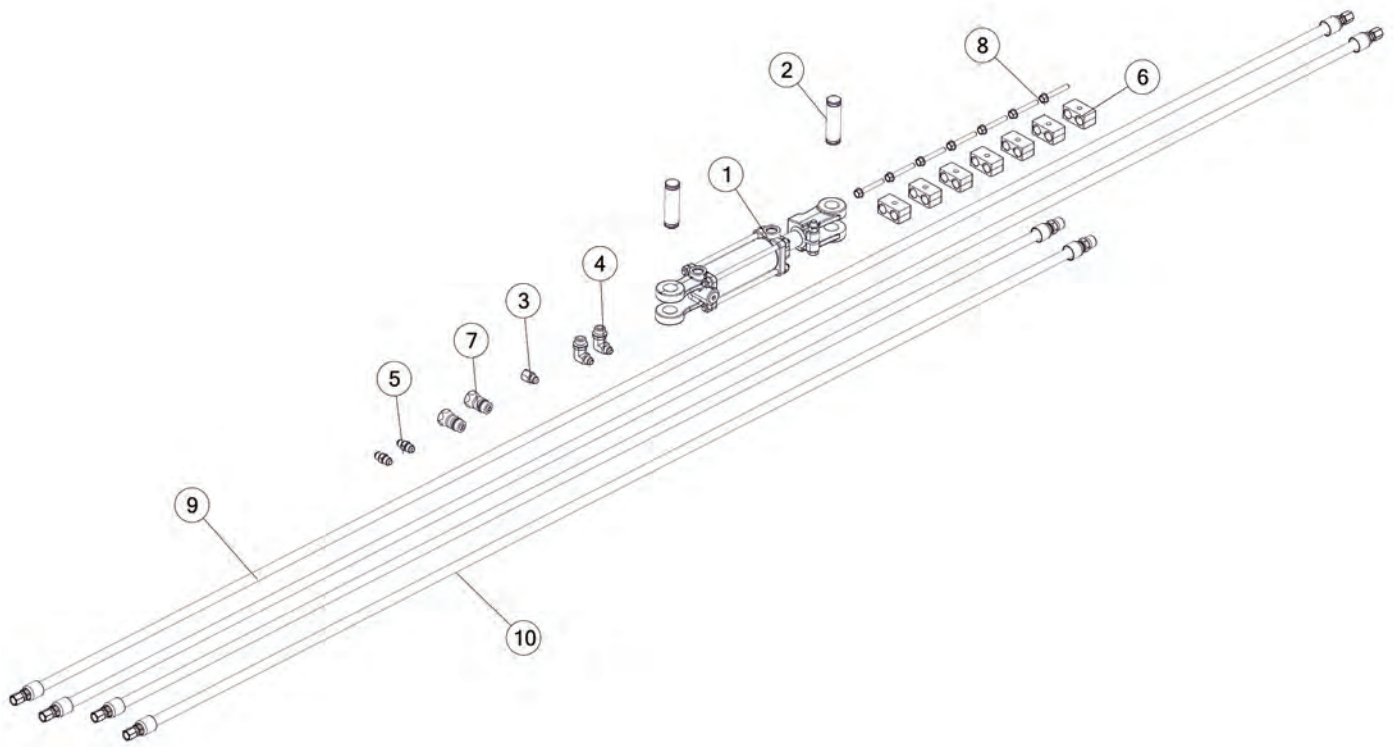
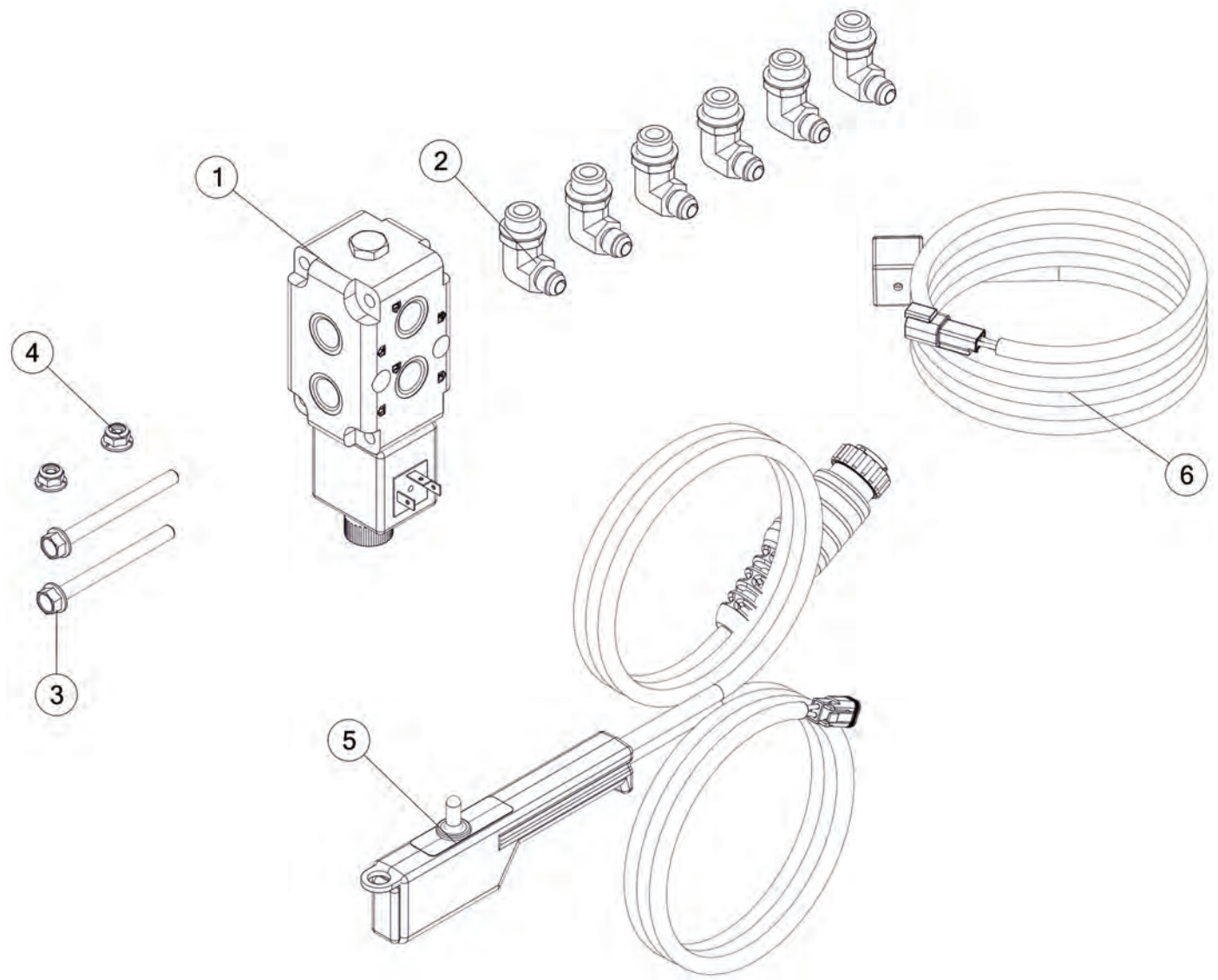




FIGURE 22

ELEC VALVE FOR DISCHARGE DEFLECTOR
HYD CYL - OPTIONAL





H&S MFG. CO.
products approved
for the
FEMA
SEAL OF QUALITY



Manufactured by:
H&S MANUFACTURING CO., INC.
2608 S. HUME AVE. MARSHFIELD, WI 54449
(715) 387-3414 | hsmfgco.com

