



TS5234

MANURE SPREADER

PARTS BOOK

Part # 72827

HSMFG013023

Rev. #08

Starting Ser. #322TS34009

STRONG HERITAGE - STRONG PEOPLE - STRONGER FUTURE



TABLE OF CONTENTS

| FIGURE # | CONTENTS | PAGE # |
|----------|--|--------|
| * | INSTRUCTIONS FOR ORDERING PARTS | 1 |
| 1 | AUGER / LINER SLIDES /HITCH | 2-5 |
| 2 | AUGER / EXPELLER DRIVE | 6-9 |
| 3 | EXPELLER / DISCHARGE GATE / BEARINGS | 10-11 |
| 4 | EXPELLER / DISCHARGE GATE / DOOR | 12-15 |
| 5 | EXPELLER / DISCHARGE GATE / PAN | 16-17 |
| 6 | GUARDS / SHIELDS | 18-19 |
| 7 | SPLASH GUARDS / RAILS | 20-21 |
| 8 | HYDRAULICS | 22-25 |
| 9 | TANDEM AXLES | 26-27 |
| 10 | OPTIONAL TANDEM AXLES - TSOTA | 28-29 |
| 11 | OILER KIT | 30-31 |
| 12 | FRONT GREASE LINES | 32-33 |
| 13 | LIGHTING | 34-35 |
| 14 | AUGER | 36-37 |
| 15 | GEAR BOX | 38-39 |
| 16 | AUGER FRONT & REAR HYDRAULIC CYLINDER | 40-41 |
| 17 | EXPELLER DOOR HYDRAULIC CYLINDER | 42-43 |
| 18 | PTO - 1000 RPM 1-3/8 | 44-45 |
| 19 | PTO - 1000 RPM 1-3/4 | 46-47 |
| 20 | SCALE | 48-49 |
| 21 | COVER COMPONENTS | 50-51 |
| 22 | COVER HYDRAULICS | 52-53 |
| 23 | COVER SEAL | 54-55 |
| 24 | OPTIONAL TIRE & WHEEL | 56-57 |
| 25 | OPTIONAL TIRE & WHEEL HEAVY AXLES | 58-59 |
| 26 | DISCHARGE DEFLECTOR HYDRAULIC | 60-61 |
| 27 | ELEC. VALVE FOR DISCHARGE DEFLECTOR HYD CYLINDER | 62-63 |
| * | PARTS NOTES | 64 |



INSTRUCTIONS FOR ORDERING PARTS

All service parts should be ordered through your authorized H&S dealer. Your Dealership will be able to give you faster service if you will provide them with the following:

1. All references to left or right apply to the machine as viewed from the rear.
2. Parts should not be ordered from illustration only. Please order complete part number.
3. If your dealer has to order parts - give shipping instructions:

VIA truck - large pieces (please specify local truck lines)

VIA United Parcel Service (include full address)

| | |
|-------------------|----------------------|
| H&S MFG. CO. INC. | |
| MARSHFIELD, WIS. | |
| MOD. NO. | <input type="text"/> |
| SER. NO. | <input type="text"/> |
| DESCR. | <input type="text"/> |

PLEASE RECORD NUMBERS FOR YOUR UNIT FOR QUICK REFERENCE

H&S IS CONTINUALLY STRIVING TO IMPROVE ITS PRODUCTS

We must, therefore, reserve the right to make improvements or changes whenever it becomes practical to do so, without incurring any obligation to make changes or additions to the equipment previously sold.





FIGURE 1

AUGER / LINER / SLIDES / HITCH

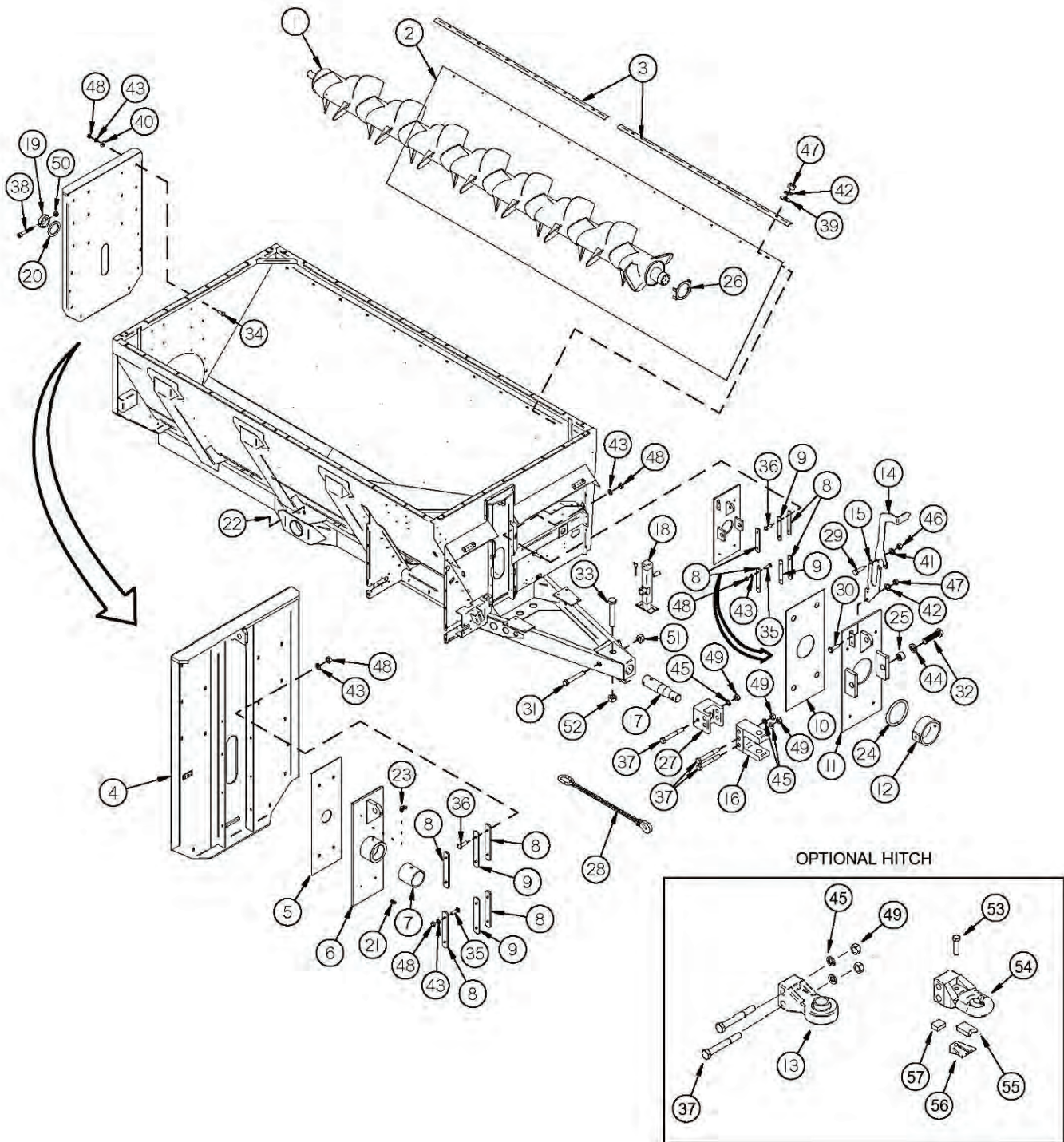




FIGURE 1

AUGER / LINER / SLIDES / HITCH

| REF # | PART # | DESCRIPTION | QTY |
|-------|-----------|--|-----|
| 1 | TS200 | AUGER | 1 |
| 2 | TS201 | TUB SIDE POLY | 1 |
| 3 | TS4 | POLY TOP HOLD DOWN | 1 |
| 4 | TS202 | PANEL BACK | 1 |
| 5 | TS7 | SLIDER POLY BACK | 1 |
| 6 | TS309 | SLIDER BACK | 1 |
| 7 | TS9 | AUGER BUSHING REAR | 1 |
| 8 | TS10 | SLIDER GUIDE | 8 |
| 9 | TS308 | SLIDER GUIDE THIN | 6 |
| 10 | TS203 | POLY SLIDE FRONT | 1 |
| 11 | TS204 | SLIDE PLATE FRONT | 1 |
| 12 | TS400 | TRUNNION HOUSING W/BEARING | 1 |
| 13 | 58290 | ARTICULATING HITCH | 1 |
| 14 | TS207 | AUGER INDICATOR TOP | 1 |
| 15 | TS208 | AUGER INDICATOR BOTTOM | 1 |
| 16 | 56310 | HEAVY CLEVIS | 1 |
| 17 | TS210 | HITCH BAR STRAIGHT | 1 |
| 18 | TS306 | JACK, SIDE WIND, 7000LBS | 1 |
| 19 | TS19 | AUGER BACK COLLAR | 1 |
| 20 | TS227 | SPACER 2-17/32 (THICK) | A/R |
| * | TS28 | SPACER 2-17/32 (THIN) | A/R |
| 21 | G89 | STRAIGHT ZERK, 1/4 X 90 | 1 |
| 22 | DWM133 | GREASE ZERK 45 DEGREE, 1/8 | 1 |
| * | 16SV440 | GREASE ZERK, 1/8 | 1 |
| 23 | RG51 | GREASE ZERK 90 DEGREE | 1 |
| 24 | TS229 | RUBBER RING, 6 | 1 |
| 25 | TS230 | BUSHING, 3/4 X 7/8 | 3 |
| 26 | TS320 | WEAR PLATE, 6 INCH | 1 |
| 27 | APX3HF41 | HITCH ADAPTER | 1 |
| 28 | SC60000 | SAFETY CHAIN 60000# (OPTIONAL) | 1 |
| 29 | YBHH08100 | BOLT HEX, 1/4 X 3/4 G5 | 1 |
| 30 | YBHH10105 | BOLT HEX, 5/16 X 3/4 G5 | 1 |
| 31 | YBHH20101 | BOLT HEX, 5/8 X 6 G8 | 1 |
| 32 | YBHH24018 | BOLT HEX, YELLOW ZINC FINISH, 3/4 X 2 G8 | 1 |
| 33 | YBHH32026 | BOLT HEX, 1 X 6 G8 | 2 |
| 34 | YBCR12010 | BOLT CARRIAGE, 3/8 X 1 G5 | 20 |
| 35 | YBCR12020 | BOLT CARRIAGE, 3/8 X 1-1/4 G5 | 8 |
| 36 | YBCR12015 | BOLT CARRIAGE, 3/8 X 1-1/2 G5 | 8 |
| 37 | YBHH32034 | BOLT HEX, 1 X 7-1/2 G8 | 5 |





FIGURE 1
AUGER / LINER / SLIDES / HITCH

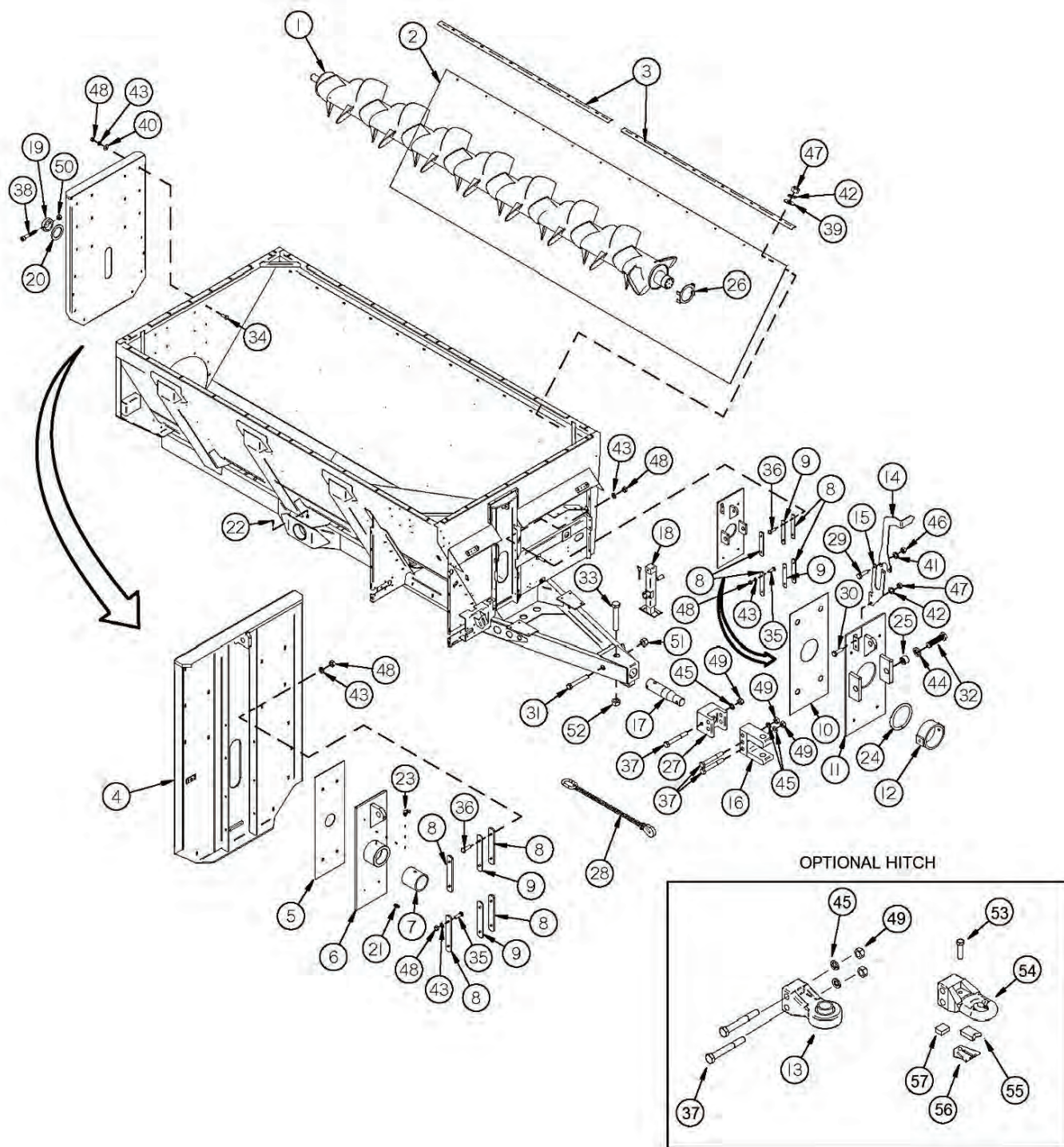




FIGURE 1

AUGER / LINER / SLIDES / HITCH

| REF # | PART # | DESCRIPTION | QTY |
|-------|-----------|------------------------------------|-----|
| 38 | YSHS12018 | SCREW SOCKET HEAD CAP, 3/8 X 4 | 1 |
| 39 | YWFL10005 | WASHER FLAT, 5/16 | 12 |
| 40 | YWFL12005 | WASHER FLAT, 3/8 | 20 |
| 41 | YWLO08005 | WASHER LOCK, 1/4 | 2 |
| 42 | YWLO10005 | WASHER LOCK, 5/16 | 14 |
| 43 | YWLO12005 | WASHER LOCK, 3/8 | 36 |
| 44 | YWLO24005 | WASHER LOCK, 3/4 | 2 |
| 45 | YWLO32005 | WASHER LOCK, 1 | 5 |
| 46 | YNHX08005 | NUT HEX, 1/4 | 2 |
| 47 | YNHX10005 | NUT HEX, 5/16 | 14 |
| 48 | YNHX12005 | NUT HEX, 3/8 | 36 |
| 49 | YNHX32015 | NUT HEX, 1 G8 | 5 |
| 50 | YNL12005 | NUT HEX, TOP LOCK, 3/8 | 1 |
| 51 | YNRL20005 | NUT HEX, REVERSIBLE-SIDE LOCK, 5/8 | 1 |
| 52 | YNRL32005 | NUT HEX, REVERSIBLE-SIDE LOCK, 1 | 1 |
| 53 | YBHH24051 | BOLT HEX, 3/4 X 3 G5 | 1 |
| 54 | 58557 | BASE, PERFECT HITCH | 1 |
| 55 | 58558 | V BLOCK | 1 |
| 56 | 58559 | PLATE, TOP | 1 |
| 57 | 58554 | CUSHION | 1 |
| | | | |
| | | | |
| | | | |
| | | | |
| | | | |
| | | | |
| | | | |
| | | | |
| | | | |
| | | | |
| | | | |
| | | | |
| | | | |
| | | | |
| | | | |
| | | | |
| | | | |
| | | | |
| | | | |
| | | | |





FIGURE 2
AUGER / EXPELLER DRIVE

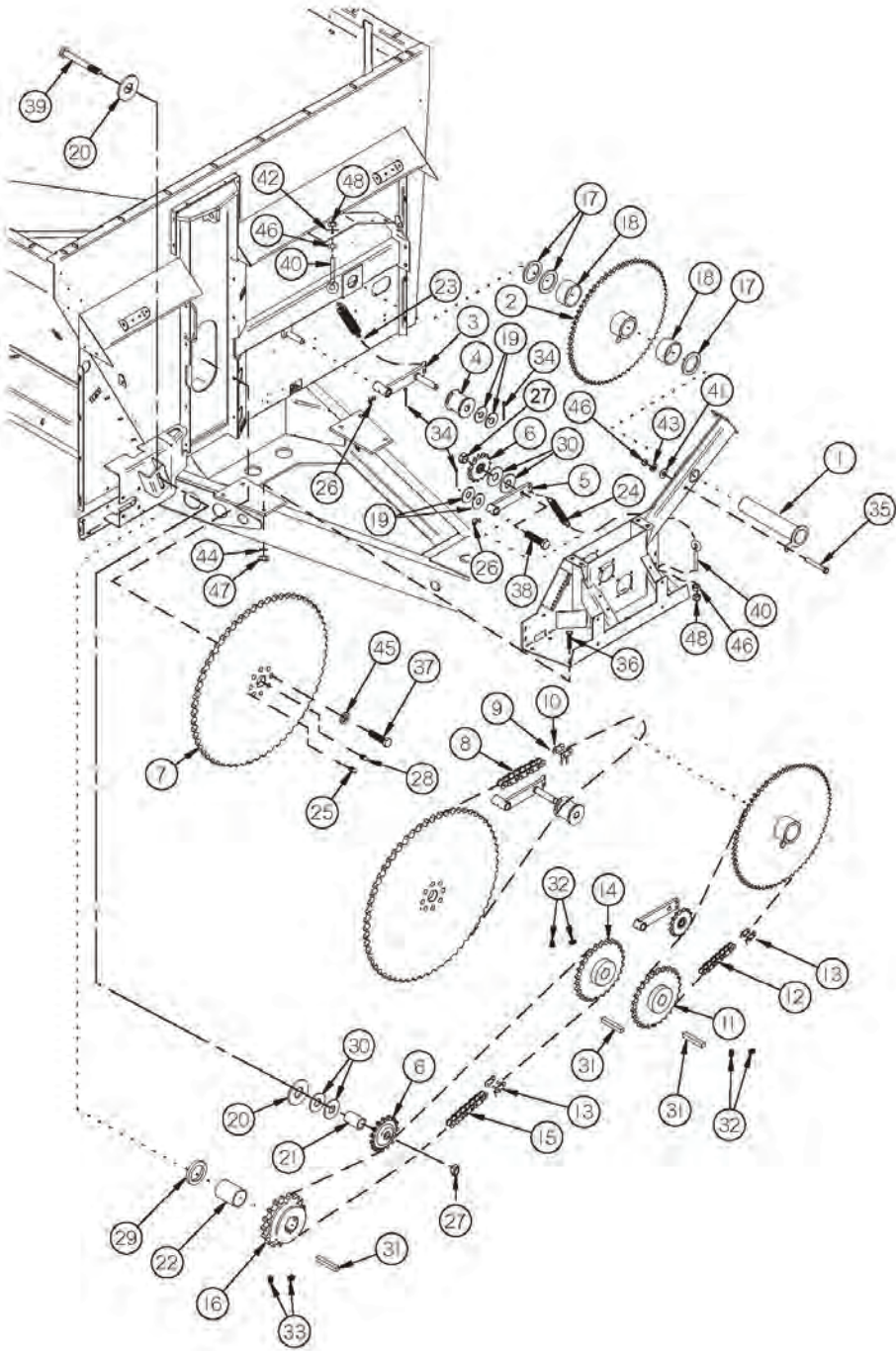




FIGURE 2

AUGER / EXPELLER DRIVE

| REF # | PART # | DESCRIPTION | QTY |
|-------|-----------|--|-----|
| 1 | TS211 | COUNTER SHAFT | 1 |
| 2 | TS212 | COUNTER SHAFT REDUCTION | 1 |
| 3 | TS213 | AUGER CHAIN TENSIONER | 1 |
| 4 | TS25 | ROLLER IDLER | 1 |
| 5 | TS214 | CHAIN TENSIONER | 1 |
| 6 | 16SV328 | SPROCKET W/SNAP RING AND BEARING | 2 |
| 7 | TS217 | SPROCKET | 1 |
| 8 | TS218 | ROLLER CHAIN (#140HE) | 1 |
| 9 | TS219 | OFFSET LINK (#140HE) | 1 |
| 10 | TS220 | CONNECTOR LINK (#140HE) | 1 |
| 11 | TS221 | DRIVE SPROCKET, #80X14T STD, FACTORY | 1 |
| * | TS372 | DRIVE SPROCKET, #80X12T OPTIONAL, FIELD | 1 |
| * | TS373 | DRIVE SPROCKET, #80X15T OPTIONAL, FIELD | 1 |
| * | TS224 | DRIVE SPROCKET, #80X16T OPTIONAL, FIELD | 1 |
| 12 | TS222 | ROLLER CHAIN, #80HEX98 14T&15T SPRCKT, FACT | 1 |
| * | TS375 | ROLLER CHAIN, #80HEX97 12T SPROCKET, FIELD | 1 |
| * | TS376 | ROLLER CHAIN, #80HEX99 16T SPROCKET, FIELD | 1 |
| 13 | TS223 | CONNECTOR LINK, (#80HE) | 2 |
| 14 | TS224 | SPROCKET, #80X16T STANDARD, FACTORY | 1 |
| * | TS372 | SPROCKET, #80X12T OPTIONAL, FIELD | 1 |
| * | TS221 | SPROCKET, #80X14T OPTIONAL, FIELD | 1 |
| 15 | TS225 | ROLLER CHAIN, #80HE X 84 16T SPRCKT, FACTORY | 1 |
| * | TS379 | ROLLER CHAIN, #80HE X 82 12T SPRCKT, FLD) | 1 |
| * | TS380 | ROLLER CHAIN, #80HE X 83 14T SPROCKET, FIELD | 1 |
| 16 | TS226 | SPROCKET, 80B17 | 1 |
| 17 | TS227 | SPACER, 2-17/32 (THICK) | A/R |
| * | TS28 | SPACER, 2-17/32 (THIN) | A/R |
| 18 | 73576 | BRONZE BUSHING, 2-1/2 X 3 X 3 | 2 |
| 19 | YWFL32005 | WASHER FLAT, SAE 1 ZINC | 4 |
| 20 | 16SV376 | SPACER | 2 |
| 21 | TS230 | TRUNION PIVOT BUSHING, 3/4 X 7/8 X 1-1/4 | 3 |
| 22 | TS231 | SPACER | 1 |
| 23 | BFR138 | SPRING | 1 |
| 24 | 10R14 | SPRING | 1 |
| 25 | G89 | STRAIGHT ZERK, 1/4 X 90 | 3 |
| 26 | RG51 | GREASE ZERK, 1/4 - 28 90 DEGREE | 2 |
| 27 | YNRL24005 | NUT HEX, REVERSIBLE-SIDE LOCK, 3/4 | 2 |
| 28 | BFR28 | GREASE ZERK, 1/8 | 1 |





FIGURE 2
AUGER / EXPELLER DRIVE

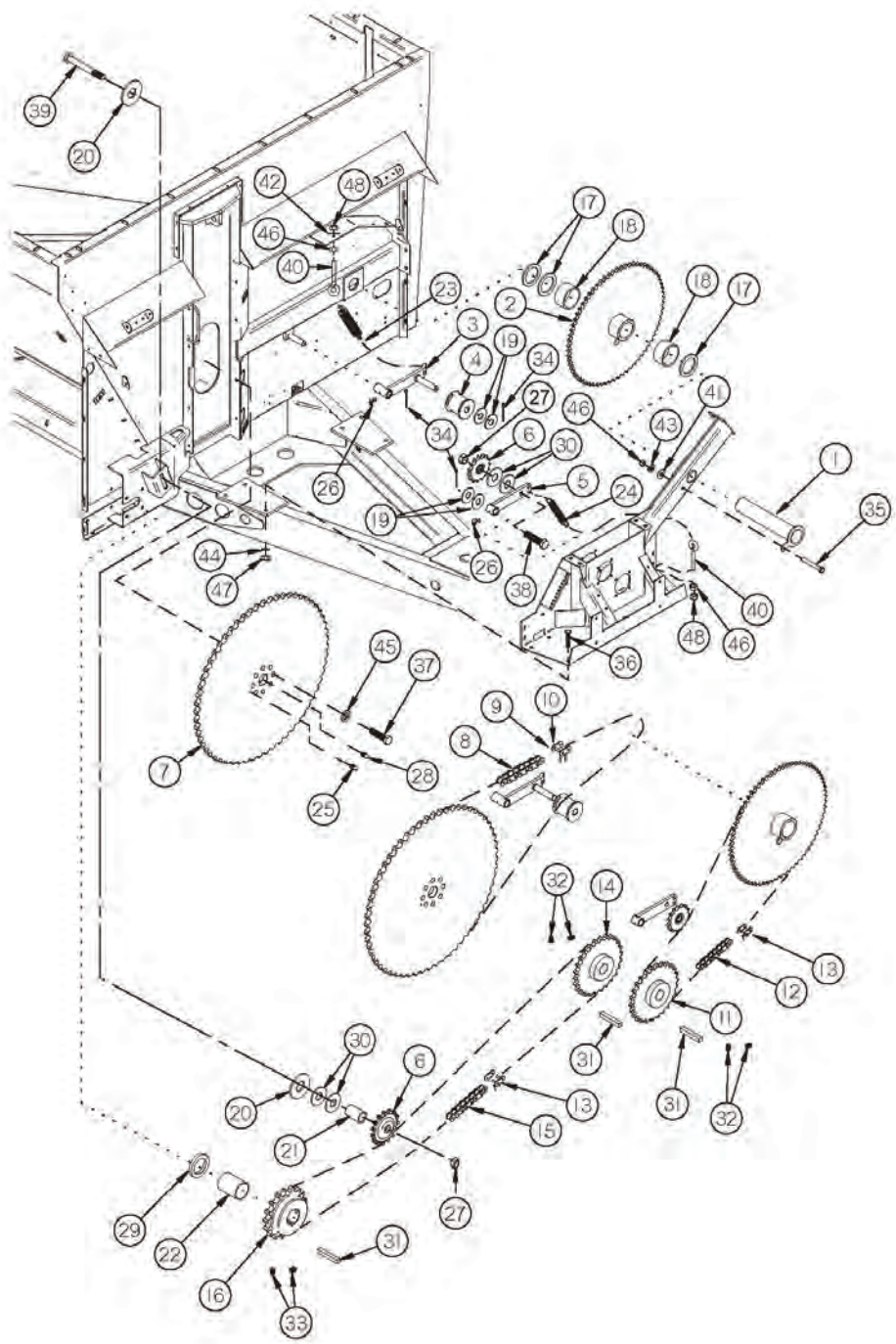




FIGURE 2 AUGER / EXPELLER DRIVE

| REF # | PART # | DESCRIPTION | QTY |
|-------|-----------|---|-----|
| 29 | S36 | SHIM, 3/16 | A/R |
| * | S409 | SHIM, 1/8 | A/R |
| 30 | T73 | WASHER | 4 |
| 31 | G139 | SQUARE KEY, 3/8 X 1-1/2 | 3 |
| 32 | YSKP12025 | SCREW SET SOCKET, KNURLED CUP PT, 3/8 X 3/8 | 4 |
| 33 | YSKP12010 | SCREW SET SOCKET, KNURLED CUP PT, 3/8 X 1/2 | 2 |
| 34 | YPCT05010 | COTTER PIN, 5/32 X 1-1/2 | 3 |
| 35 | YBHH12110 | BOLT HEX, 3/8 X 2-3/4 G5 | 1 |
| 36 | YBHH20010 | BOLT HEX, 5/8 X 1-1/2 G5 | 6 |
| 37 | YBHH24041 | BOLT HEX, 3/4 X 2-3/4 G8 | 8 |
| 38 | YBHH24050 | BOLT HEX, 3/4 X 3 G5 | 1 |
| 39 | YBHH24055 | BOLT HEX, 3/4 X 3-1/2 G5 | 1 |
| 40 | YBTE12025 | BOLT TURNED EYE, 3/8 X 3 | 2 |
| 41 | YWFL10005 | WASHER, FLAT, 5/16 | 1 |
| 42 | YWFL12005 | WASHER, FLAT, 3/8 | 1 |
| 43 | YWLO12005 | WASHER, LOCK, 3/8 | 1 |
| 44 | YWLO20005 | WASHER, LOCK, 5/8 | 6 |
| 45 | YWLO24005 | WASHER, LOCK, 3/4 | 8 |
| 46 | YNHX12005 | NUT HEX, 3/8 | 3 |
| 47 | YNHX20005 | NUT HEX, 5/8 | 6 |
| 48 | YNNY12005 | NUT HEX, NYLON LOCKNUT, 3/8 G2 | 2 |
| | | | |
| | | | |
| | | | |
| | | | |
| | | | |
| | | | |
| | | | |
| | | | |
| | | | |
| | | | |
| | | | |
| | | | |
| | | | |
| | | | |
| | | | |
| | | | |
| | | | |
| | | | |
| | | | |



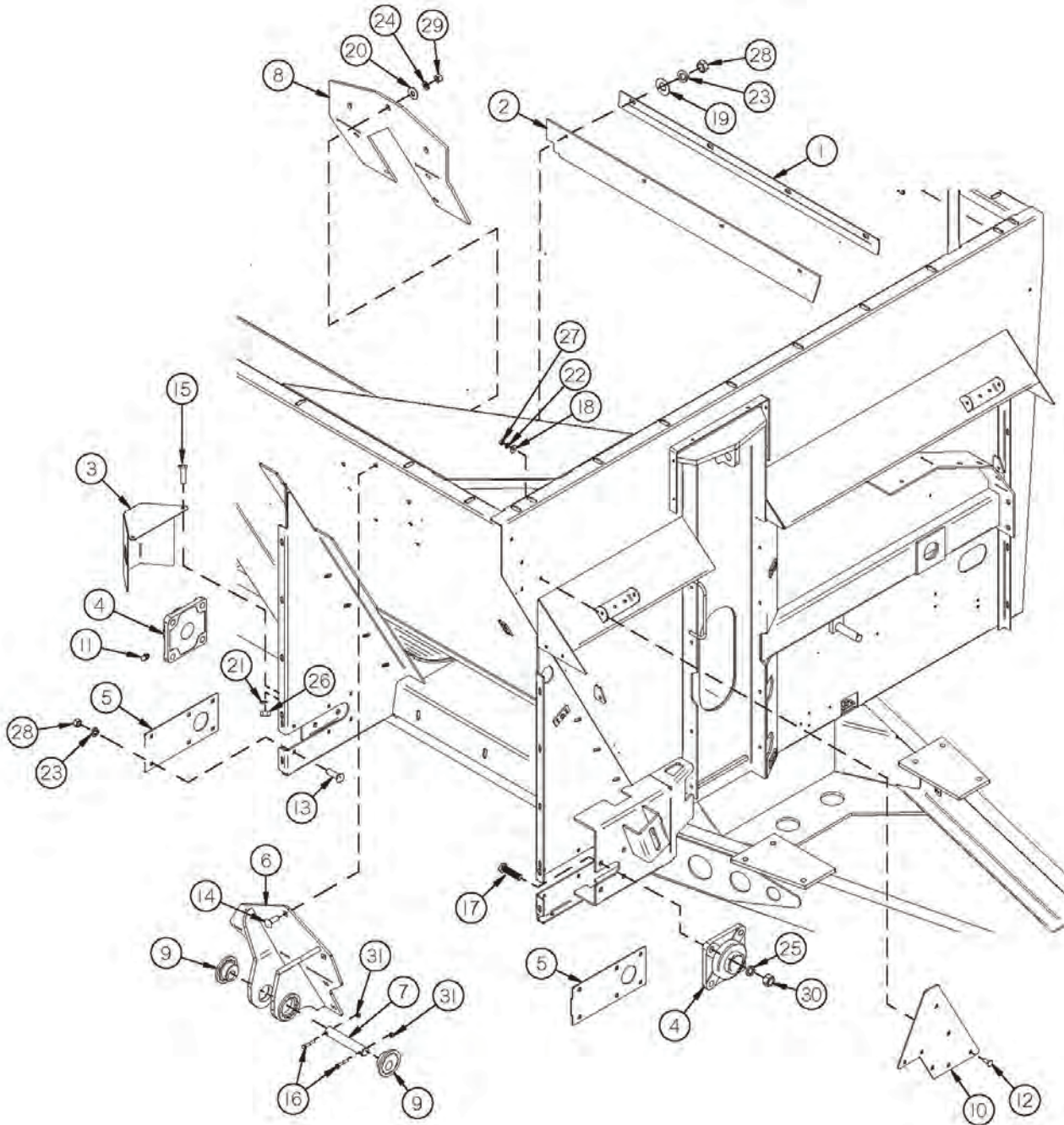




FIGURE 3

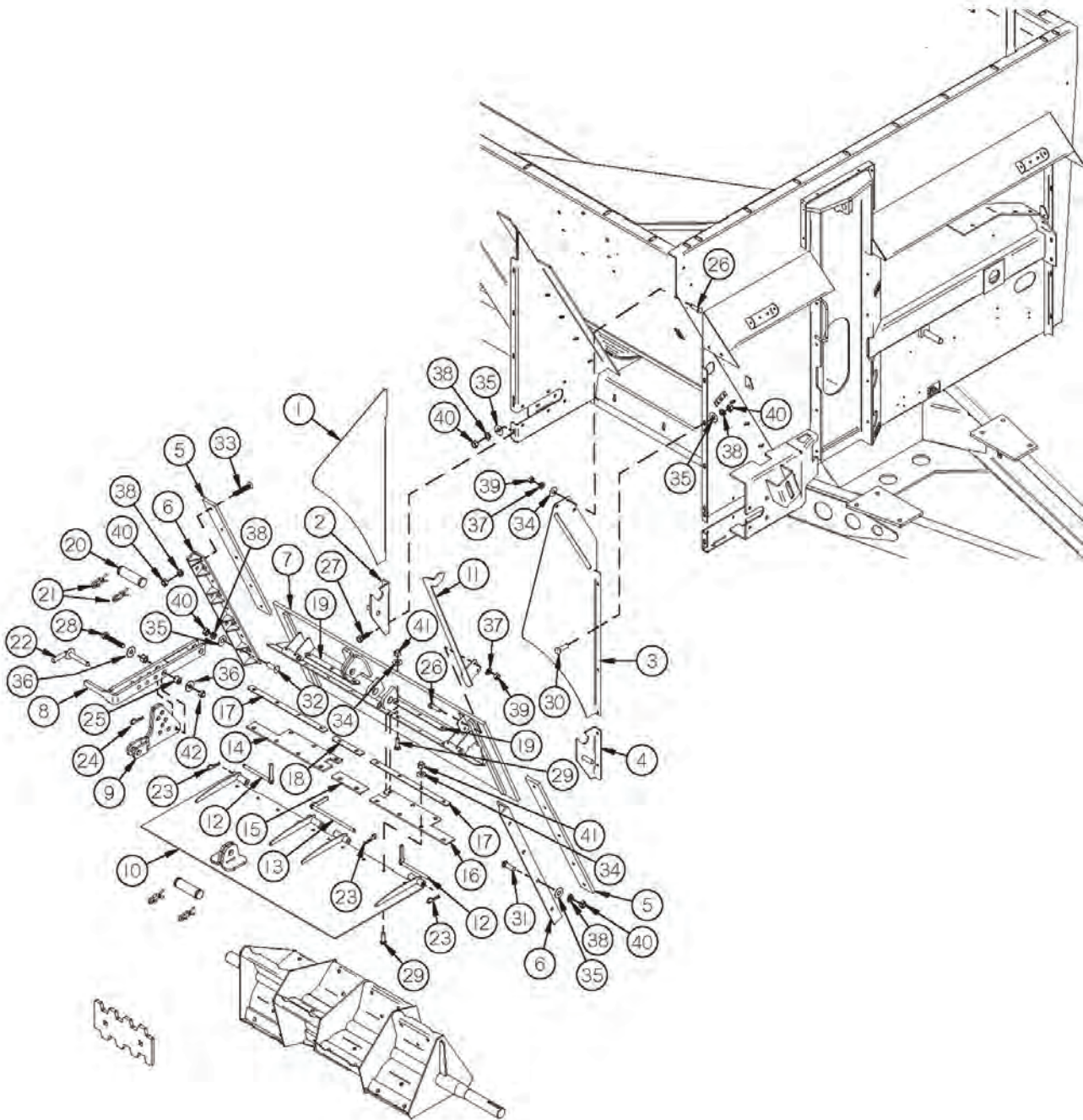
EXPELLER / DISCHARGE GATE / BEARINGS

| REF # | PART # | DESCRIPTION | QTY |
|-------|-----------|--------------------------------|-----|
| 1 | TS43 | DOOR SEAL CLAMP | 1 |
| 2 | TS44 | EXPELLER DOOR SEAL TOP | 1 |
| 3 | TS45 | EXPELLER BEARING SHIELD | 1 |
| 4 | HGV41 | EXPELLER BEARING | 2 |
| 5 | TS47 | COVER PLATE | 2 |
| 6 | APX3WE69 | CYLINDER MOUNT | 1 |
| 7 | APX3SH15 | DOOR CYLINDER PIN TOP | 1 |
| 8 | APX33G52 | DOOR CYLINDER REINFORCEMENT | 1 |
| 9 | DWM314 | HEX PLUG | 2 |
| 10 | APX310G66 | BOLT ON INDICATOR MOUNT | 1 |
| 11 | G89 | STRAIGHT GREASE ZERK, 1/4 X 90 | 1 |
| 12 | YBCR10010 | BOLT CARRIAGE, 5/16 X 1 G5 | 4 |
| 13 | YBCR12010 | BOLT CARRIAGE, 3/8 X 1 G5 | 12 |
| 14 | YBCR16010 | BOLT CARRIAGE, 1/2 X 1-1/2 G5 | 7 |
| 15 | YBHH08100 | BOLT HEX, 1/4 X 3/4 G5 | 2 |
| 16 | YBHH08025 | BOLT HEX, 1/4 X 1-1/2 G5 | 2 |
| 17 | YBHH18010 | BOLT HEX, 9/16 X 1-3/4 G5 | 8 |
| 18 | YWFL06010 | WASHER FLAT, 3/16 | 4 |
| 19 | YWFL12005 | WASHER FLAT, 3/8 | 4 |
| 20 | YWFL16005 | WASHER FLAT, 1/2 | 7 |
| 21 | YWLO08005 | WASHER LOCK, 1/4 | 2 |
| 22 | YWLO10005 | WASHER LOCK, 5/16 | 4 |
| 23 | YWLO12005 | WASHER LOCK, 3/8 | 16 |
| 24 | YWLO16005 | WASHER LOCK, 1/2 | 7 |
| 25 | YWLO18005 | WASHER LOCK, 9/16 | 8 |
| 26 | YNHX08005 | NUT HEX, 1/4 | 2 |
| 27 | YNHX10005 | NUT HEX, 5/16 | 4 |
| 28 | YNHX12005 | NUT HEX, 3/8 | 16 |
| 29 | YNHX16005 | NUT HEX, 1/2 | 7 |
| 30 | YNHX18005 | NUT HEX, 9/16 | 8 |
| 31 | YNTL08005 | NUT HEX, TOP LOCK, 1/4 | 2 |
| | | | |
| | | | |
| | | | |
| | | | |





FIGURE 4
EXPELLER / DISCHARGE GATE / DOOR



| REF # | PART # | DESCRIPTION | QTY |
|-------|-----------|---|-----|
| 1 | TS232 | EXPELLER SPOUT LH | 1 |
| 2 | TS49 | PAN HINGE BRACKET LH | 1 |
| 3 | TS233 | EXPELLER SPOUT RH | 1 |
| 4 | TS51 | PAN HINGE BRACKET RH | 1 |
| 5 | TS52 | DOOR SLIDER POLY | 2 |
| 6 | TS53 | EXPELLER DOOR GUIDE | 2 |
| 7 | 84592 | EXPELLER DOOR | 1 |
| 8 | TS55 | DEFLECTOR ADJUSTMENT HANDLE | 1 |
| 9 | TS56 | DEFLECTOR ADJUSTMENT LINK | 1 |
| 10 | 84594 | ADJUSTABLE FLAT DEFLECTOR | 1 |
| 11 | TS58 | DOOR INDICATOR | 1 |
| 12 | TS59 | DEFLECTOR SIDE PIN | 2 |
| 13 | TS60 | DEFLECTOR MID PIN | 1 |
| 14 | TS61 | DEFLECTOR SEAL LH | 1 |
| 15 | TS62 | MID DEFLECTOR SEAL | 1 |
| 16 | TS63 | DEFLECTOR SEAL RH | 1 |
| 17 | TS64 | SEAL STRAP LONG | 2 |
| 18 | TS65 | MID SEAL STRAP | 1 |
| 19 | TS66 | SEAL STRAP SHORT | 2 |
| 20 | T143 | CYLINDER PIN | 2 |
| 21 | T144 | CLIP PIN | 4 |
| 22 | TS69 | CASTER LOCKING PIN | 1 |
| 23 | X97 | HAIR PIN | 3 |
| 24 | WM378 | HAIR PIN W/LANYARD | 1 |
| 25 | TS307 | HANDLE PIVOT | 2 |
| 26 | YBHH10105 | BOLT HEX, 5/16 X 3/4 G5 | 5 |
| 27 | YBHH12010 | BOLT HEX, 3/8 X 1 G5 | 4 |
| 28 | YBHH16105 | BOLT HEX, 1/2 X 3 G5 | 1 |
| 29 | YBCR10010 | BOLT CARRIAGE, 5/16 X 1 G5 | 16 |
| 30 | YBCR12010 | BOLT CARRIAGE, 3/8 X 1 G5 | 8 |
| 31 | YBCR12020 | BOLT CARRIAGE, 3/8 X 1-1/4 G5 | 7 |
| 32 | YBCR12015 | BOLT CARRIAGE, 3/8 X 1-1/2 G5 | 1 |
| 33 | YSFS12005 | SCREW FLAT HEAD SOCKET CAP, 3/8 X 1-1/4 | 10 |
| 34 | YWFL10005 | WASHER FLAT, 5/16 | 19 |
| 35 | YWFL12005 | WASHER FLAT, 3/8 | 20 |
| 36 | YWFL16005 | WASHER FLAT, 1/2 | 2 |
| 37 | YWLO10005 | WASHER LOCK, 5/16 | 5 |
| 38 | YWLO12005 | WASHER LOCK, 3/8 | 30 |
| 39 | YNHX10005 | NUT HEX, 5/16 | 5 |





FIGURE 4
EXPELLER / DISCHARGE GATE / DOOR

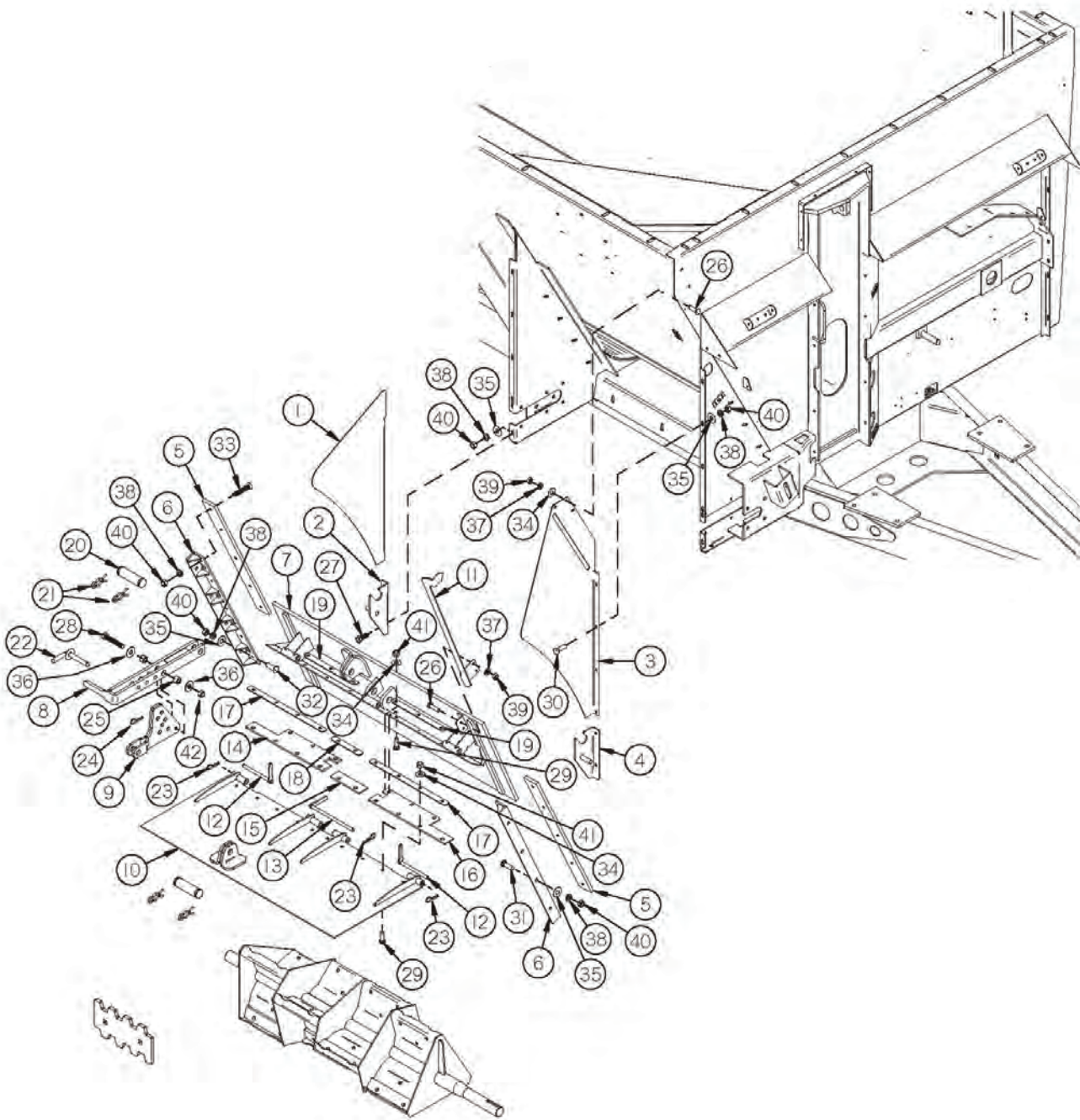




FIGURE 5
EXPELLER / DISCHARGE GATE / PAN

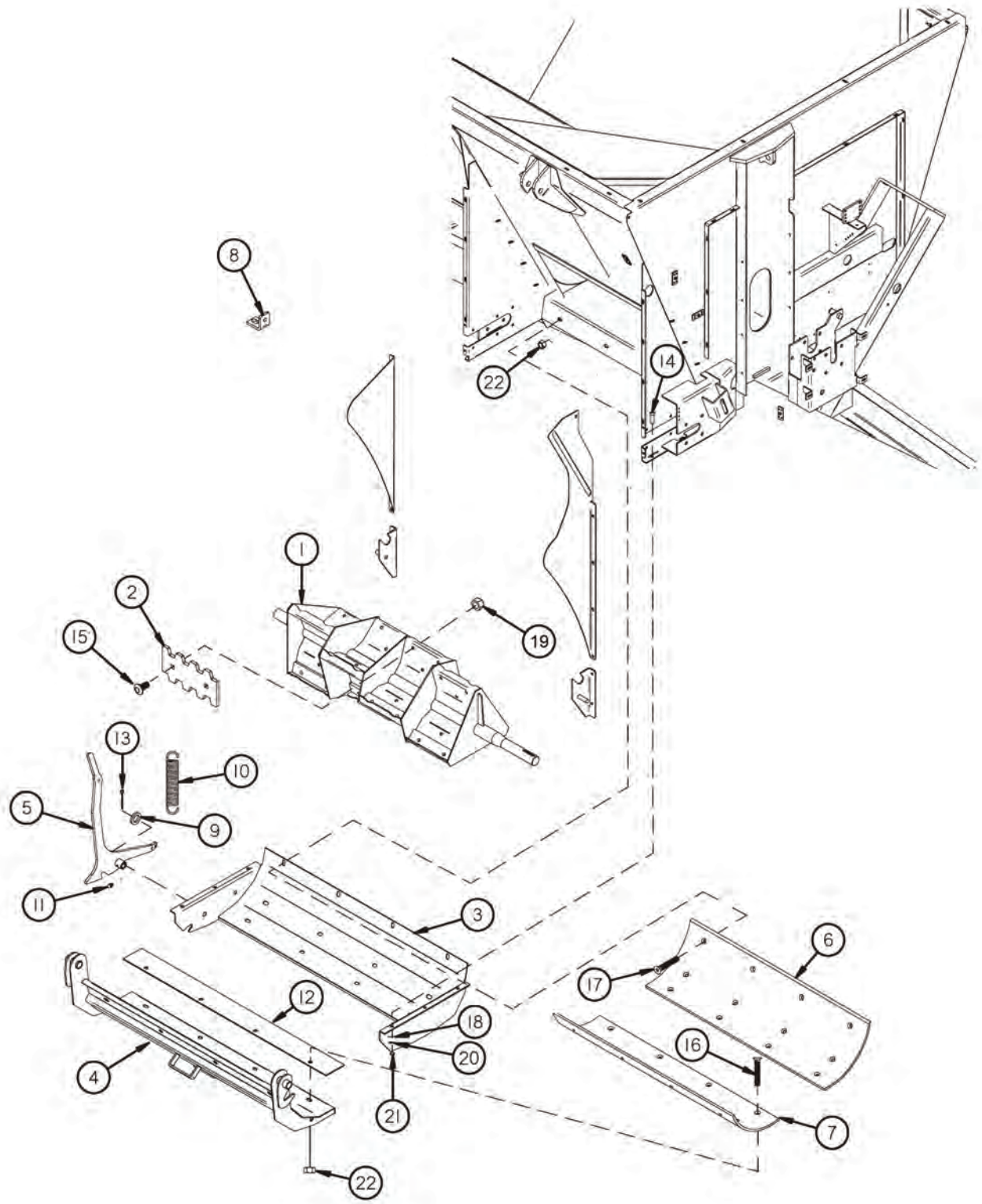
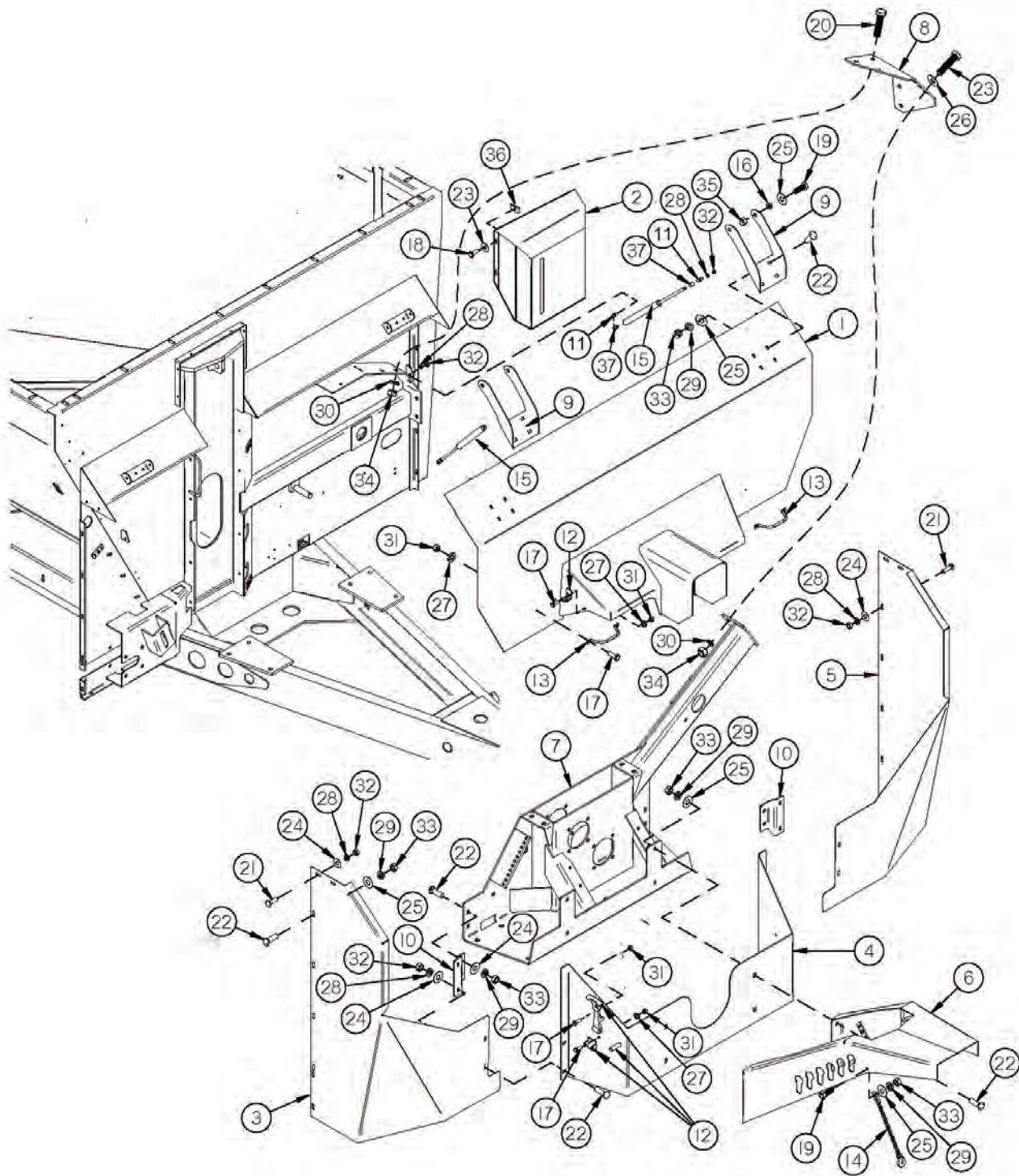




FIGURE 6
GUARDS / SHIELDS



| REF # | PART # | DESCRIPTION | QTY |
|-------|-----------|------------------------------|-----|
| 1 | TS234 | SHIELD FRONT | 1 |
| 2 | TS235 | CYLINDER COVER FRONT | 1 |
| 3 | TS236 | SHIELD FRONT RH | 1 |
| 4 | TS237 | GEARBOX SHIELD | 1 |
| 5 | TS238 | SHIELD FRONT LH | 1 |
| 6 | TS239 | HOSE HOLDER | 1 |
| 7 | TS240 | GEARBOX | 1 |
| 8 | TS241 | JACKSHAFT BRACE | 1 |
| 9 | TS242 | SHIELD HINGE | 2 |
| 10 | TS243 | SHIELD MOUNT FRONT | 2 |
| 11 | TS382 | BALL MOUNT, 10MM | 4 |
| 12 | X233 | LATCH | 2 |
| 13 | TS96 | SHIELD HANDLE | 2 |
| 14 | TS130 | CHAIN PTO HOLDER | 1 |
| 15 | TS244 | GAS STRUT | 2 |
| 16 | GM180 | SPACER | 4 |
| 17 | YBHH08015 | BOLT HEX, 1/4 X 1/2 G5 | 11 |
| 18 | YBHH08100 | BOLT HEX, 1/4 X 3/4 G5 | 4 |
| 19 | YBHH12010 | BOLT HEX, 3/8 X 1 G5 | 5 |
| 20 | YBHH20010 | BOLT HEX, 5/8 X 1-1/2 G5 | 8 |
| 21 | YBCR10030 | BOLT CARRIAGE, 5/16 X 3/4 G5 | 8 |
| 22 | YBCR12010 | BOLT CARRIAGE, 3/8 X 1 G5 | 24 |
| 23 | YWFL08005 | WASHER FLAT, 1/4 | 4 |
| 24 | YWFL10005 | WASHER FLAT, 5/16 | 8 |
| 25 | YWFL12005 | WASHER FLAT, 3/8 | 29 |
| 26 | YWFL20005 | WASHER FLAT, 5/8 | 3 |
| 27 | YWLO08005 | WASHER LOCK, 1/4 | 8 |
| 28 | YWLO10005 | WASHER LOCK, 5/16 | 14 |
| 29 | YWLO12005 | WASHER LOCK, 3/8 | 25 |
| 30 | YWLO20005 | WASHER LOCK, 5/8 | 8 |
| 31 | YNHX08005 | NUT HEX, 1/4 | 11 |
| 32 | YNHX10005 | NUT HEX, 5/16 | 14 |
| 33 | YNHX12005 | NUT HEX, 3/8 | 25 |
| 34 | YNHX20005 | NUT HEX, 5/8 | 8 |
| 35 | YNTL12005 | NUT HEX, TOP LOCK, 3/8 | 4 |
| 36 | YNUN08005 | NUT U, EXTRUDED, 1/4 | 4 |
| 37 | TS383 | BALL 10MM | 4 |





FIGURE 7
SPLASH GUARDS / RAILS

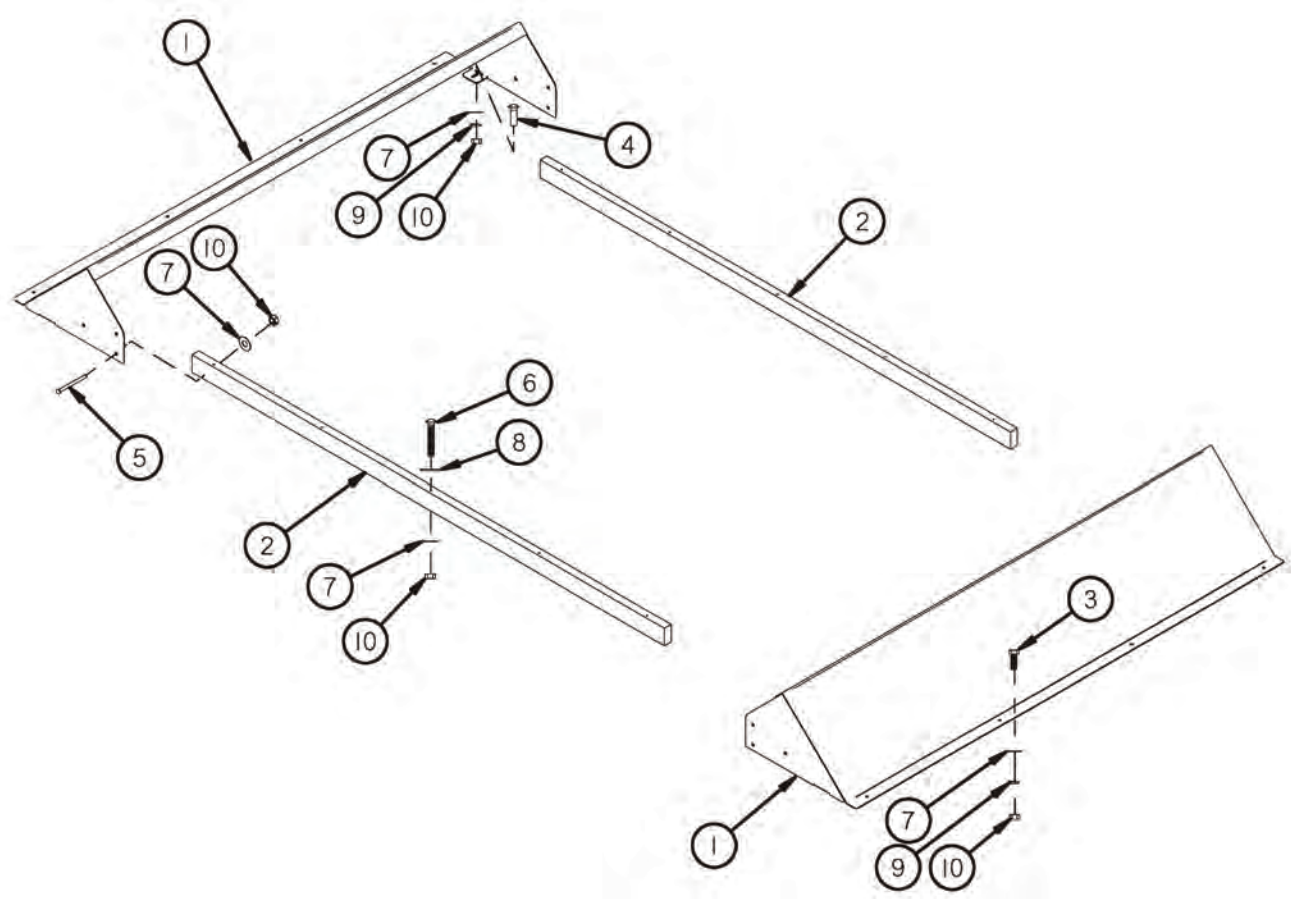
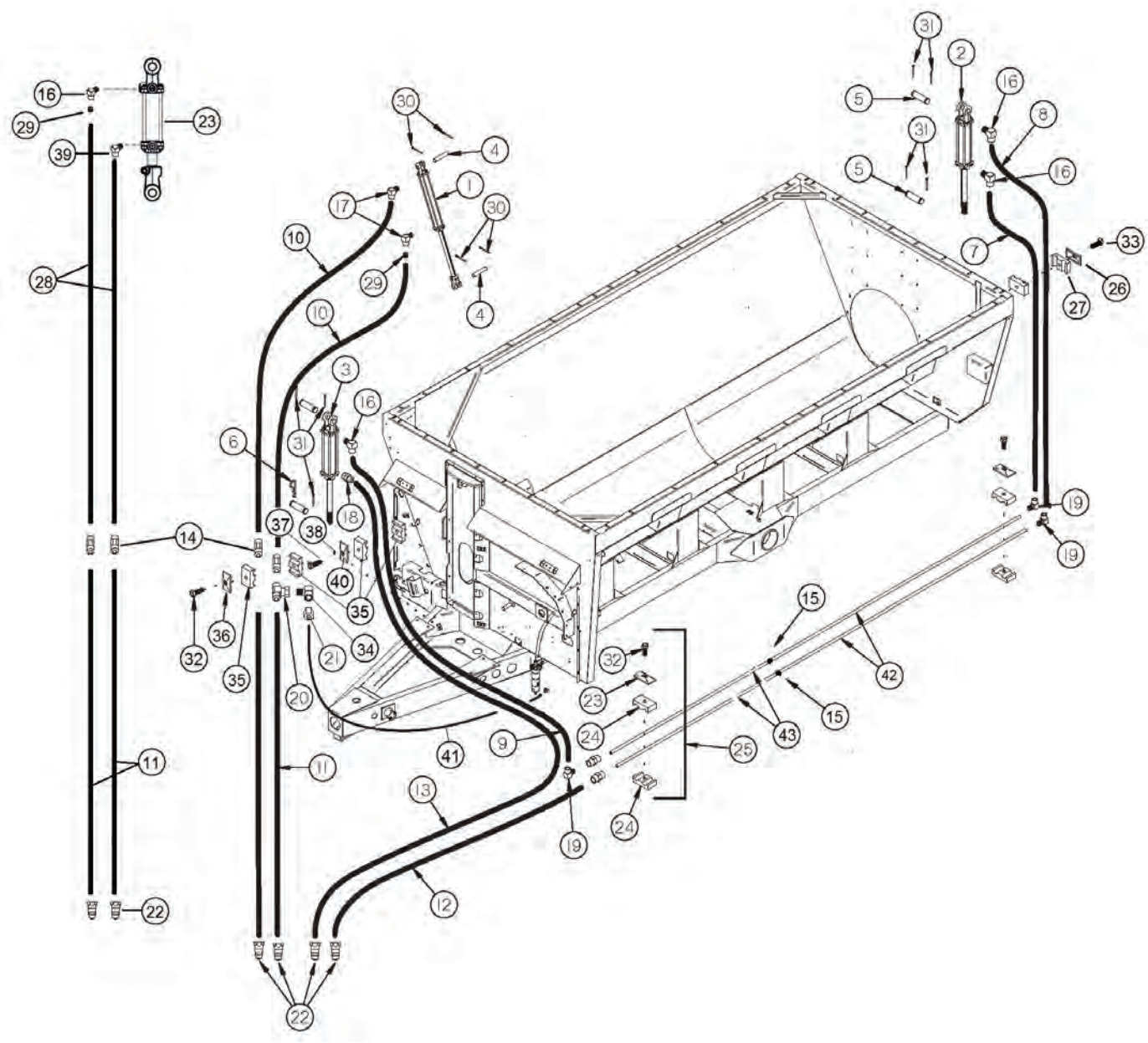




FIGURE 8 HYDRAULICS





| REF # | PART # | DESCRIPTION | QTY |
|-------|-----------|---|-----|
| 1 | 23N111A | CYLINDER, 2 X 16 | 1 |
| 2 | TS105 | CYLINDER, 3-1/4 X 8 | 1 |
| 3 | TS104 | CYLINDER, 3 X 8 | 1 |
| 4 | LW55 | CYLINDER PIN | 2 |
| 5 | T143 | CYLINDER PIN | 4 |
| 6 | YPHR02010 | HAIR PIN, #21-07 | 1 |
| 7 | TS115 | HYDRAULIC HOSE, 1/2 X 49 | 1 |
| 8 | TS247 | HYDRAULIC HOSE, 1/2 X 60 | 1 |
| 9 | TS248 | HYDRAULIC HOSE, 1/2 X 66 | 1 |
| 10 | 85430 | HYDRAULIC HOSE, 6 X 125 | 2 |
| 11 | 85664 | HYDRAULIC HOSE, 6 X 94 | 4 |
| 12 | TS251 | HYDRAULIC HOSE, 1/2 X 132 | 1 |
| 13 | TS252 | HYDRAULIC HOSE, 1/2 X 184 | 1 |
| 14 | CHM258 | UNION (6 HTX-S) | 4 |
| 15 | GM17 | ADAPTER (8 HTX) | 2 |
| 16 | TS135 | 8 MALE O-RING TO -8 MALE JIC 90° | 3 |
| 17 | CHM164 | FITTING, 90, 6JIC X 3/8NPT | 4 |
| 18 | TS137 | 8 MALE O-RING TO -8 MALE JIC | 1 |
| 19 | TFM83 | 8 FEMALE JIC SWIVEL TO -8 MALE JIC 90 | 3 |
| 20 | CHM242 | FITTING, TEE, 6JIC X 6JIC X 6JIC | 1 |
| 21 | 73993 | FITTING, ST,6JIC, 6NPTF, STL | 1 |
| 22 | DWM205 | MALE QUICK COUPLER W/HYD TIP | 6 |
| 23 | 70797 | CYLINDER, HYDRAULIC, 10.2 X 14.2 | 3 |
| 24 | TS118 | LINE CLAMP BLOCK | 6 |
| 25 | TFM91 | DOUBLE STEEL LINE CLAMP | 3 |
| 26 | 56564 | CLAMP TOP PLATE | 6 |
| 27 | 56596 | CLAMP CUSHION (SET OF 2) | 6 |
| 28 | 85446 | HYDRAULIC HOSE, 6 X127 | 2 |
| 29 | 58142 | IN-LINE CONNECTOR, ORIFICE, 6-XHX7-S .031 | 2 |
| 30 | YPCT05010 | COTTER PIN, 5/32 X 1-1/2 | 4 |
| 31 | YPCT06005 | COTTER PIN, 3/16 X 1-1/2 | 7 |
| 32 | 56568 | BOLT HEX 5/16 X 1-3/8 G5 | 10 |
| 33 | 56569 | BOLT 5/16 X 1-3/4 G5 | 6 |
| 34 | 58127 | FITTING 6 C6X-S | 1 |
| 35 | CHM278 | CLAMP HALF 3/8" HOSE (SET OF 2) | 10 |
| 36 | 56563 | CLAMP TOP PLATE | 11 |
| 37 | 56573 | CLAMP STACKING BOLT | 5 |
| * | YBFB10300 | BOLT FLANGE, 5/16 X 3 G5 | 1 |
| 38 | YNFG10005 | NUT FLANGE, 5/16-18, GF | 1 |





FIGURE 8 HYDRAULICS

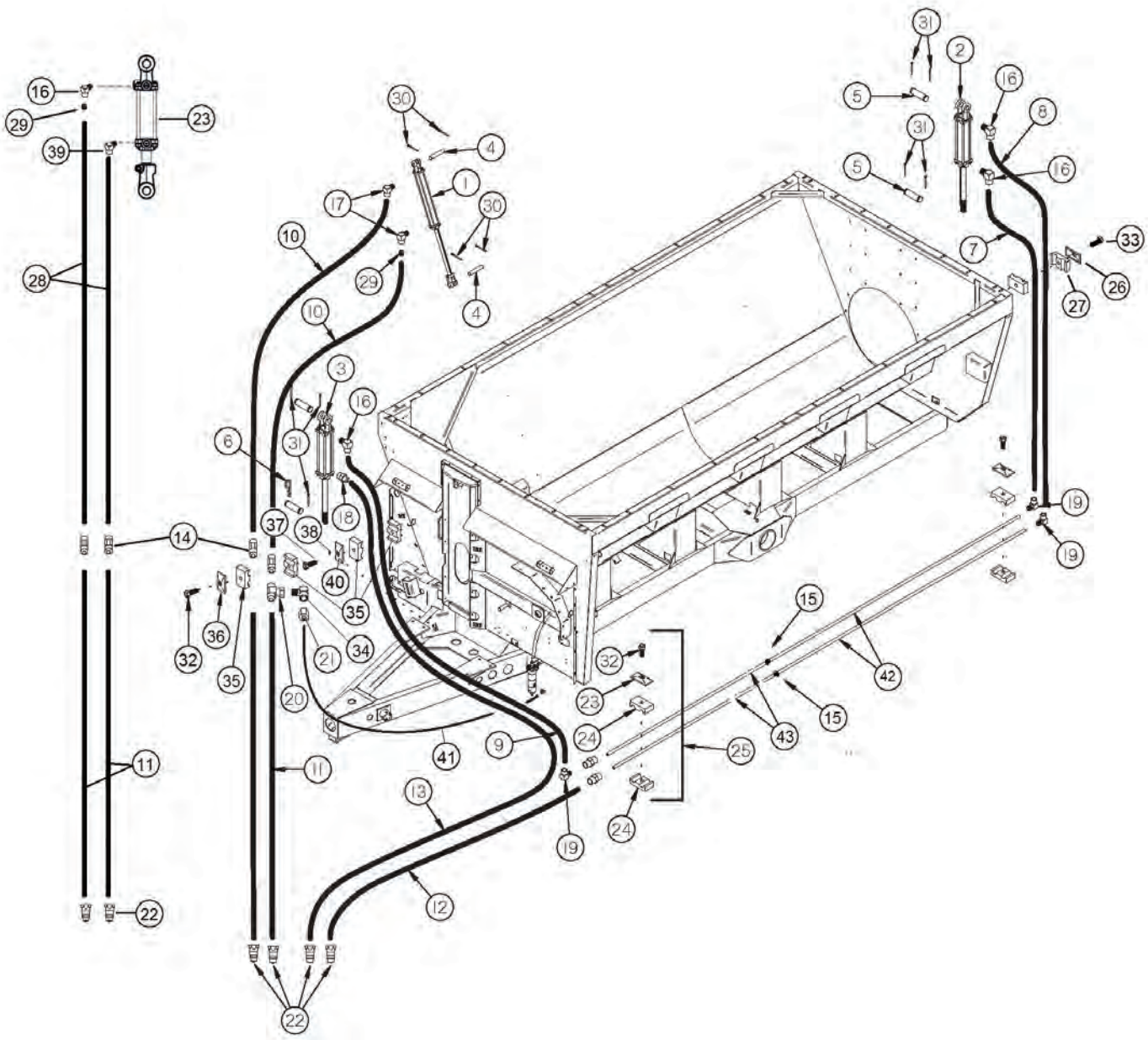




FIGURE 8 HYDRAULICS

| REF # | PART # | DESCRIPTION | QTY |
|-------|--------|---------------------------|-----|
| 39 | CHM206 | ELBOW (6-8 C50X-S) | 2 |
| 40 | 56581 | CLAMP TOP PLATE | 5 |
| 41 | 86383 | HYDRAULIC HOSE, 4, 78IN | 1 |
| 42 | 89070 | HYDRAULIC TUBE, 1/2 X 120 | 2 |
| 43 | 89076 | HYDRAULIC TUBE, 1/2 X 77 | 2 |
| | | | |
| | | | |
| | | | |
| | | | |
| | | | |
| | | | |
| | | | |
| | | | |
| | | | |
| | | | |
| | | | |
| | | | |
| | | | |
| | | | |
| | | | |
| | | | |
| | | | |
| | | | |
| | | | |
| | | | |
| | | | |





FIGURE 9
TANDEM AXLES

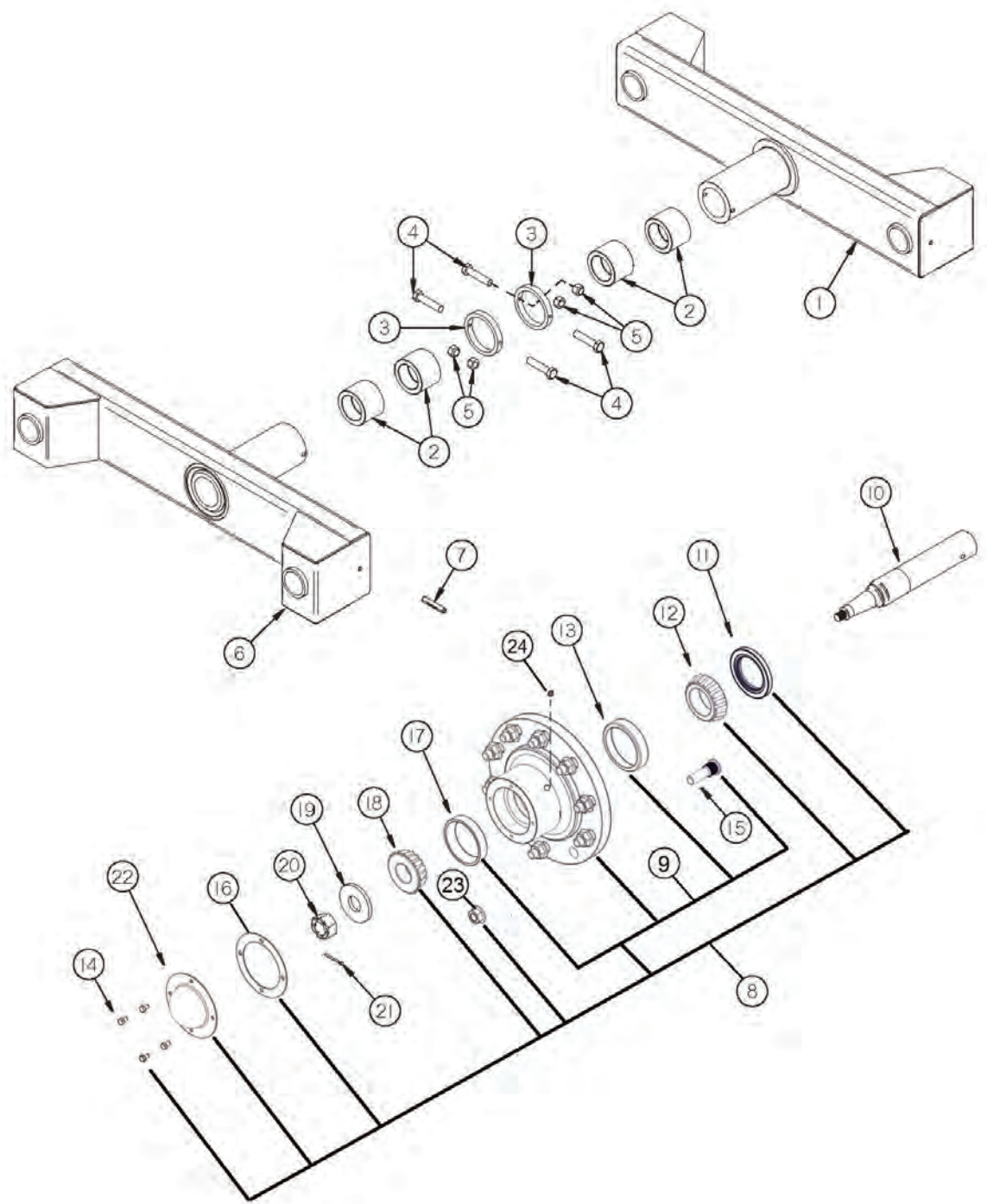




FIGURE 9

TANDEM AXLES

| REF # | PART # | DESCRIPTION | QTY |
|-------|-----------|---------------------------------------|-----|
| 1 | 75458 | TANDEM AXLE 12000 LH | 1 |
| 2 | 70145 | NYLATRON BUSHING, 6-1/2 OD X 6 ID X 3 | 4 |
| 3 | TS257 | AXLE COLLAR | 2 |
| 4 | YBHH16095 | BOLT HEX, 1/2 X 2-1/4 G5 | 4 |
| 5 | YNL16005 | NUT HEX, 1/2 | 4 |
| 6 | 75451 | TANDEM AXLE 12000# RH | 1 |
| 7 | YPEX16020 | EXPANSION PIN, 1/2 X 4 | 4 |
| 8 | 54508 | HUB COMPLETE W/KOYO BEARINGS | 4 |
| 9 | 54507 | HUB W/KOYO RACES | 4 |
| 10 | TS46 | TANDEM SPINDLE | 4 |
| 11 | 60N5 | GREASE SEAL | 4 |
| 12 | 54505 | INNER BEARING KOYO | 4 |
| 13 | 54504 | INNER RACE KOYO | 4 |
| 14 | YBHH10020 | BOLT HEX, 5/16 X 1/2 G5 ZC | 16 |
| 15 | YBSD24010 | BOLT STUD, 3/4 X 2-3/4 X 3/4 G8 | 40 |
| 16 | 56234 | HUB CAP GASKET | 4 |
| 17 | 54503 | OUTER RACE KOYO | 4 |
| 18 | 54506 | OUTER BEARING KOYO | 4 |
| 19 | 60N2 | SPINDLE WASHER | 4 |
| 20 | YNCA36005 | NUT CASTLE, 1-1/4 | 4 |
| 21 | YPCT07005 | COTTER PIN, 7/32 X 2 | 4 |
| 22 | 60N11 | HUB CAP | 4 |
| 23 | YNWL24005 | NUT WHEEL, FLANGE, 3/4 G8 | 40 |
| 24 | BFR28 | GREASE ZERK, 1/8 | 4 |
| | | | |
| | | | |
| | | | |
| | | | |
| | | | |
| | | | |
| | | | |
| | | | |
| | | | |
| | | | |
| | | | |
| | | | |
| | | | |
| | | | |
| | | | |
| | | | |
| | | | |





FIGURE 10

OPTIONAL TANDEM AXLES

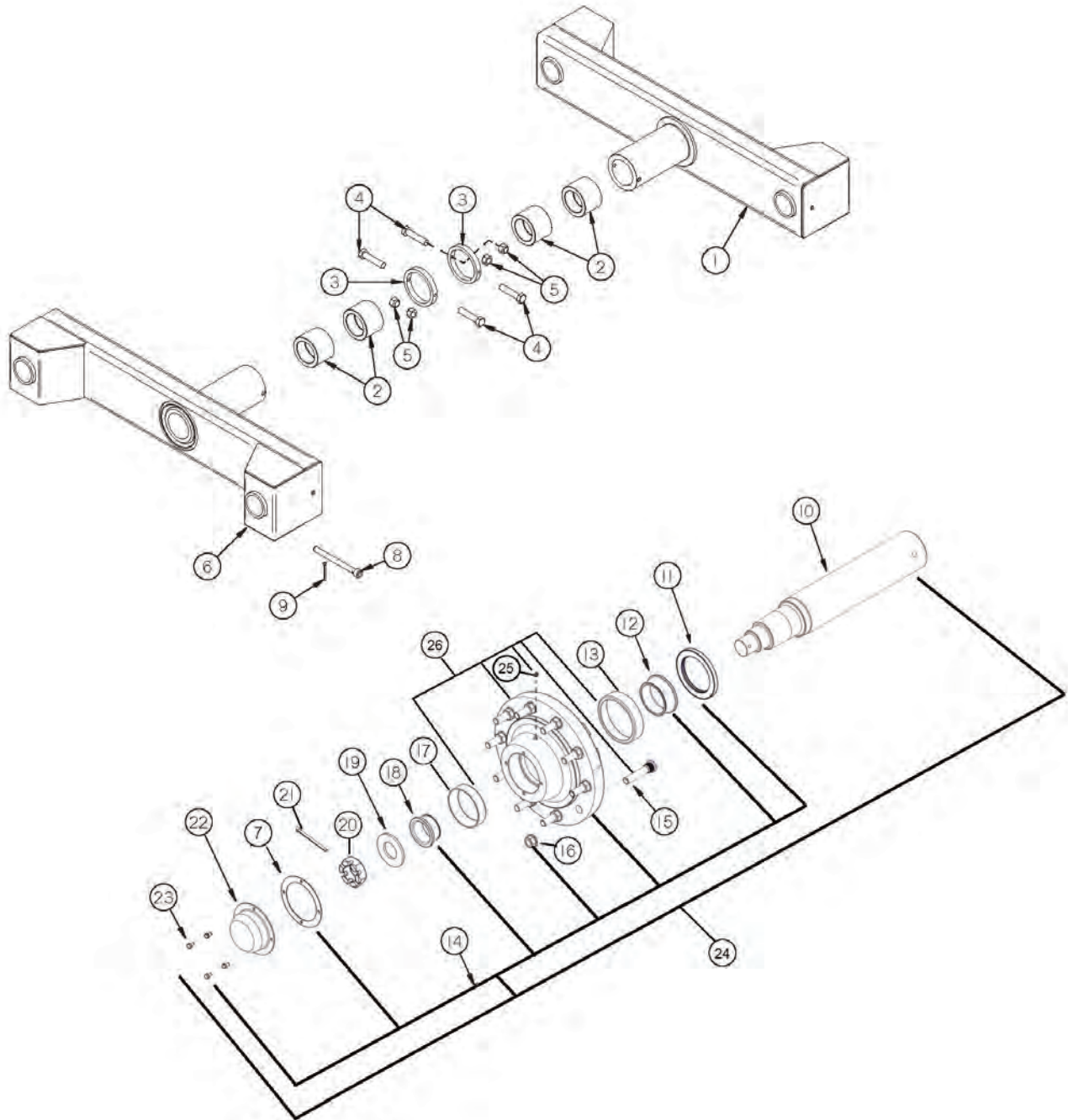




FIGURE 10
OPTIONAL TANDEM AXLES

| REF # | PART # | DESCRIPTION | QTY |
|-------|------------|----------------------------------|-----|
| 1 | TS255 | TANDEM AXLE 15000# LH | 1 |
| 2 | 70145 | NYLATRON BUSHING, 6-1/2 X 6 X 3 | 4 |
| 3 | TS257 | AXLE COLLAR | 2 |
| 4 | YBHH16095 | BOLT HEX, 1/2 X 2-1/4 G5 | 4 |
| 5 | YNLTL16005 | NUT HEX, 1/2 | 4 |
| 6 | TS259 | TANDEM AXLE 15000# RH | 1 |
| 7 | 56531 | HUB CAP GASKET | 4 |
| 8 | TS260 | SPINDLE PIN | 4 |
| 9 | YPCT06020 | COTTER PIN, 3/16 X 2 | 4 |
| 10 | TS394 | TANDEM SPINDLE | 4 |
| 11 | 90298 | OIL BATH SEAL | 4 |
| 12 | TS388 | INNER BEARING | 4 |
| 13 | TS389 | INNER RACE | 4 |
| 14 | 56535 | HUB COMPLETE | 4 |
| 15 | YBSD24015 | BOLT STUD, 3/4 X 3-7/8 X 9/16 G8 | 40 |
| 16 | BFR618 | NUT FLANGE, 3/4 | 40 |
| 17 | TS390 | OUTER RACE | 4 |
| 18 | TS391 | OUTER BEARING | 4 |
| 19 | 90290 | WASHER | 4 |
| 20 | YNSL44005 | NUT SLOT, 2 - 12 G2 | 4 |
| 21 | YPEX12350 | EXPANSION PIN, 3/8 X 3-1/2 | 4 |
| 22 | 90291 | OIL BATH CAP | 4 |
| 23 | YBHH10105 | BOLT HEX, 5/16 X 3/4 G5 | 16 |
| 24 | 90394 | HUB, OIL BATH ASSY | 4 |
| 25 | BFR28 | GREASE ZERK, 1/8 | 4 |
| 26 | 90288 | HUB SUB ASSEMBLY | 4 |
| | | | |
| | | | |
| | | | |
| | | | |
| | | | |
| | | | |
| | | | |
| | | | |
| | | | |
| | | | |
| | | | |



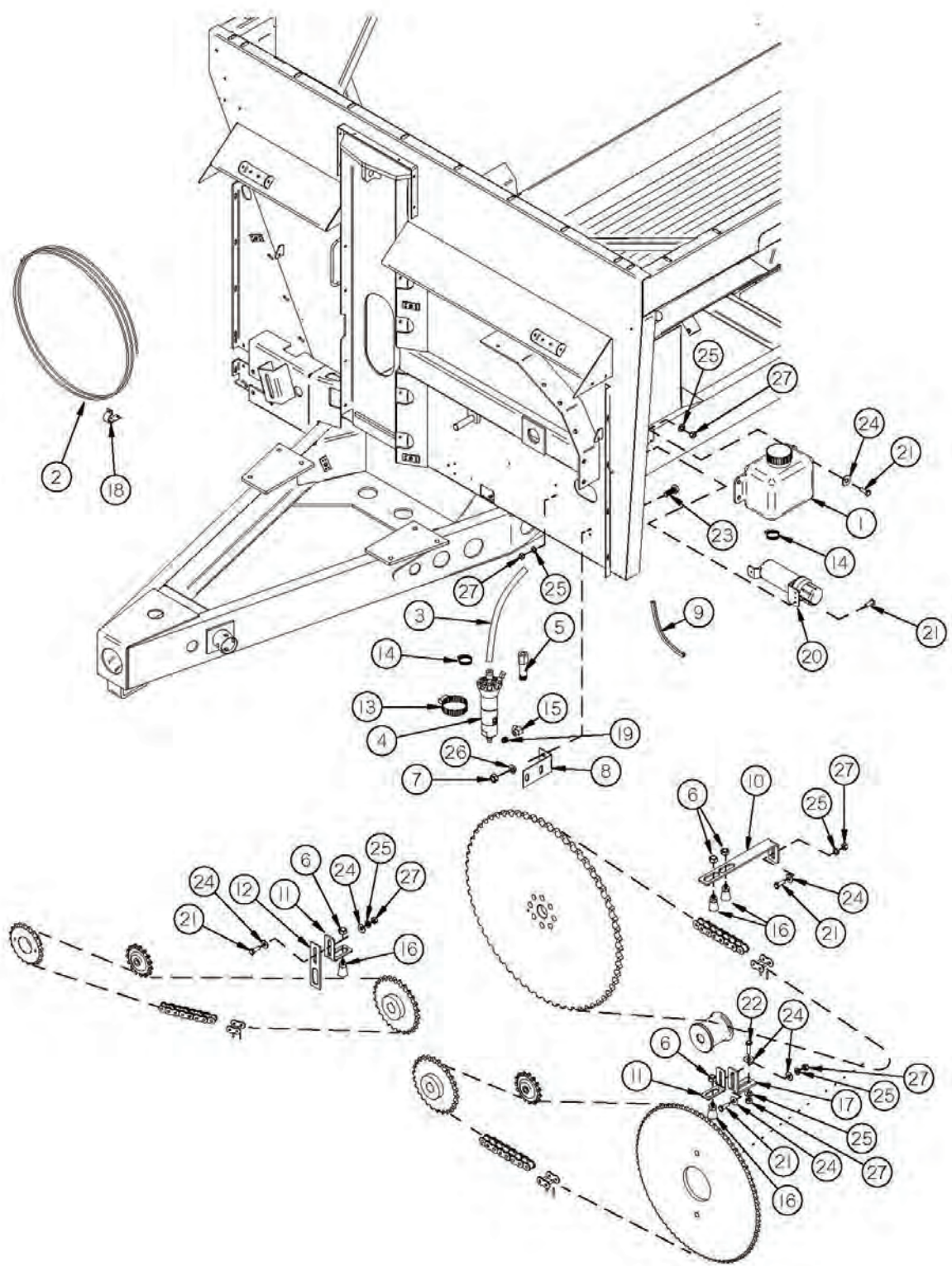


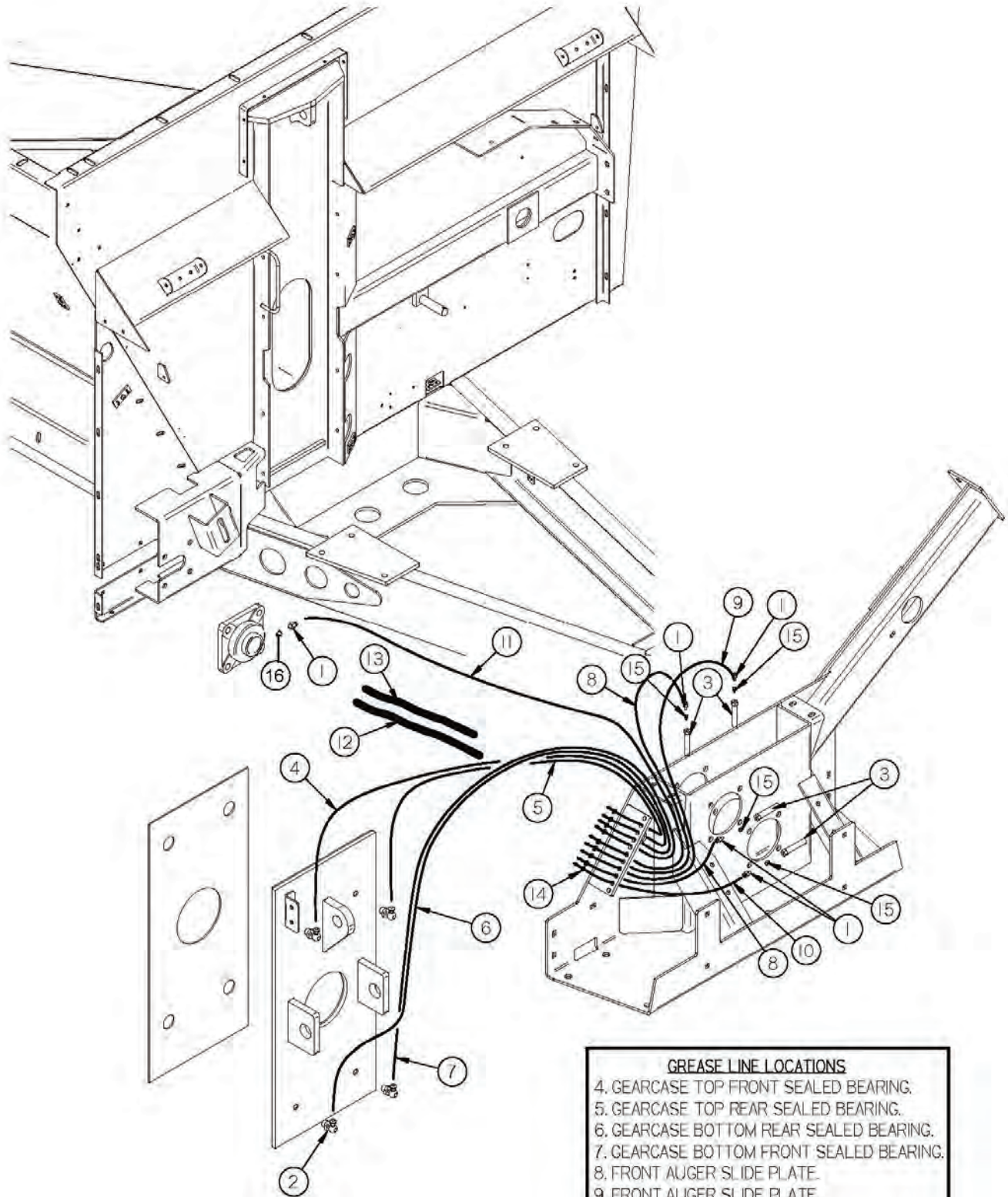


FIGURE 11

OILER KIT

| REF # | PART # | DESCRIPTION | QTY |
|-------|-----------|--------------------------------------|-----|
| 1 | HGV63 | RESERVOIR | 1 |
| 2 | HGV71 | OIL TUBE | 1 |
| 3 | HGV66 | FILLER HOSE | 1 |
| 4 | HGV82 | PUMP COMPLETE | 1 |
| 5 | HGV84 | MANIFOLD | 4 |
| 6 | YNHX16005 | HEX NUT, 1/2 | 4 |
| 7 | YNHX12005 | HEX NUT, 3/8 | 4 |
| 8 | HGV68 | PUMP MOUNT BRACKET | 1 |
| 9 | HGV77 | EDGING | 1 |
| 10 | TS322 | BRUSH BRACKET, EXTRA LONG | 1 |
| 11 | TS98 | OILER BRUSH BRACKET, SINGLE | 2 |
| 12 | HGV70 | BRACKET MOUNT | 1 |
| 13 | HGV74 | HOSE CLAMP, 2 | 1 |
| 14 | HGV75 | HOSE CLAMP, 1 | 2 |
| 15 | HGV65 | O-RING/JIC ELBOW | 1 |
| 16 | HGV67 | BRUSH | 4 |
| 17 | TS321 | OILER HANGER 1 | 1 |
| 18 | HGV162 | RUBBER WIRE HOLDER, 1/2 | 2 |
| * | TS269 | RUBBER WIRE HOLDER, 1/4 | 2 |
| * | YSHW08005 | WASHER HEX, SCREW ROLLING, 1/4 X 3/8 | 2 |
| 19 | TS198 | ORIFICE, .015 | 1 |
| 20 | S522 | MANUAL HOLDER | 1 |
| 21 | YBHH08100 | BOLT HEX, 1/4 X 3/4 G5 | 10 |
| 22 | YBHH08010 | BOLT HEX, 1/4 X 1 G5 | 1 |
| 23 | YBHH12135 | BOLT HEX, 3/8 X 3/4 G5 | 2 |
| 24 | YWFL08005 | WASHER FLAT, 1/4 | 10 |
| 25 | YWLO08005 | WASHER LOCK, 1/4 | 11 |
| 26 | YWLO12005 | WASHER LOCK, 3/8 | 2 |
| 27 | YNHX08005 | NUT HEX, 1/4 | 11 |
| | | | |
| | | | |
| | | | |
| | | | |
| | | | |
| | | | |





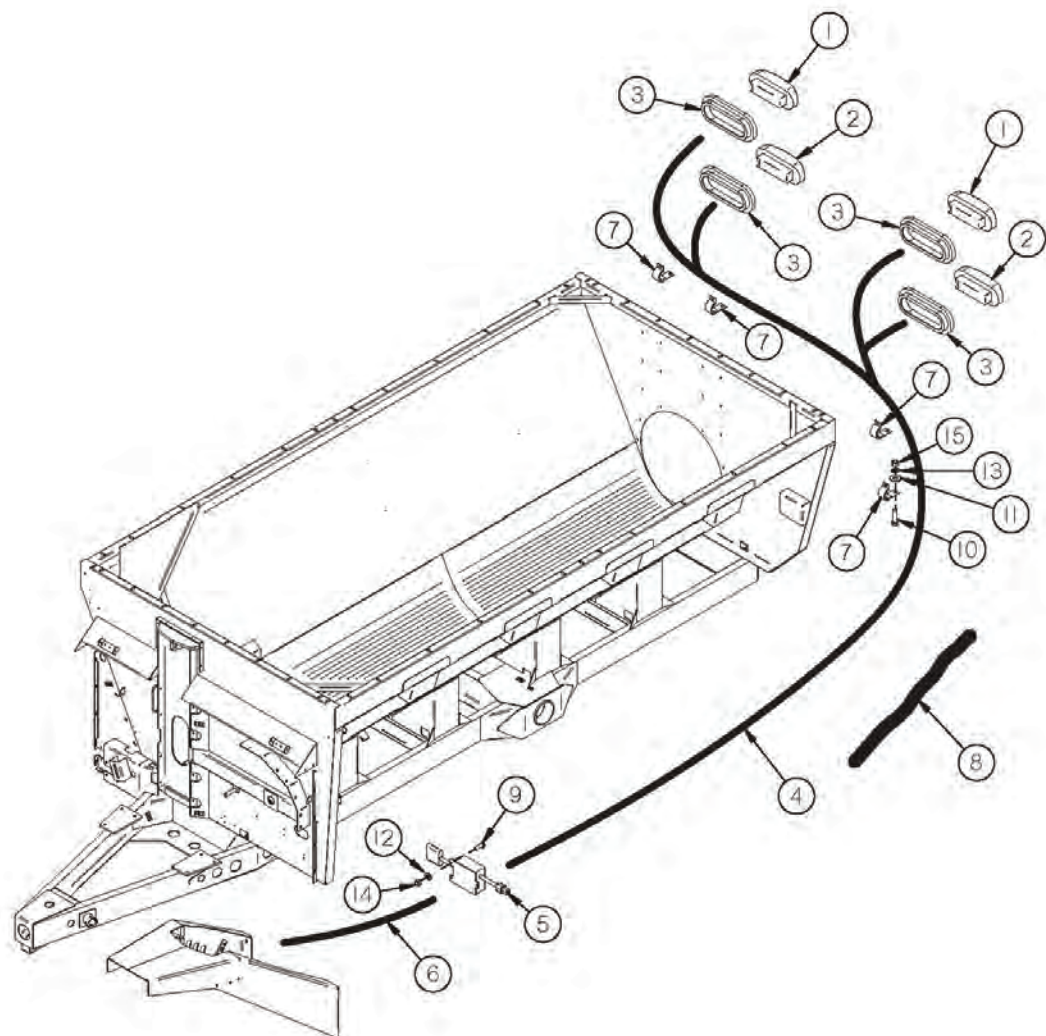
GREASE LINE LOCATIONS

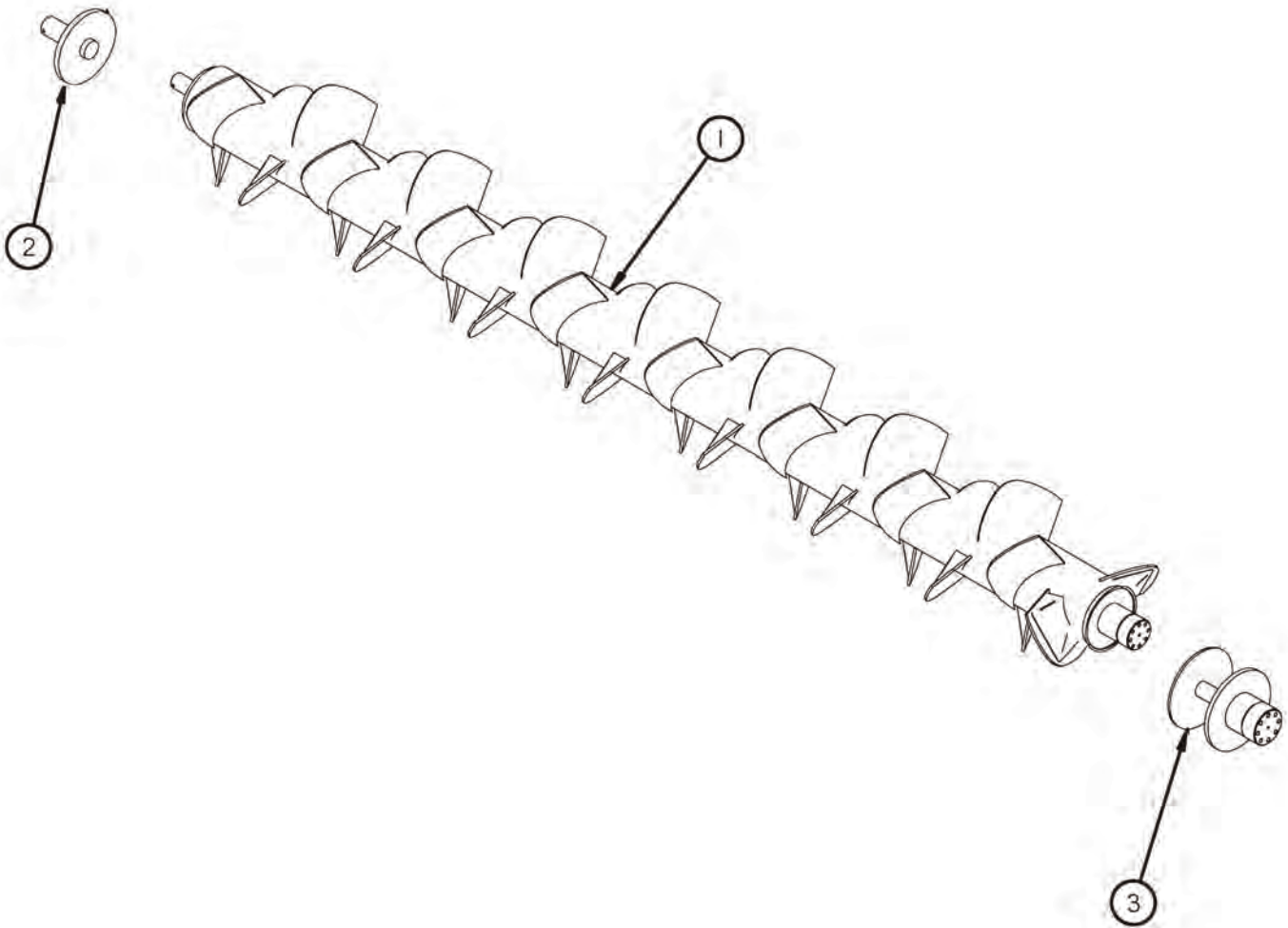
- 4. GEARCASE TOP FRONT SEALED BEARING.
- 5. GEARCASE TOP REAR SEALED BEARING.
- 6. GEARCASE BOTTOM REAR SEALED BEARING.
- 7. GEARCASE BOTTOM FRONT SEALED BEARING.
- 8. FRONT AUGER SLIDE PLATE.
- 9. FRONT AUGER SLIDE PLATE.
- 10. EXPELLER FRONT SEALED BEARING.
- 11. FRONT AUGER SLIDE PLATE.



FIGURE 13

LIGHTING





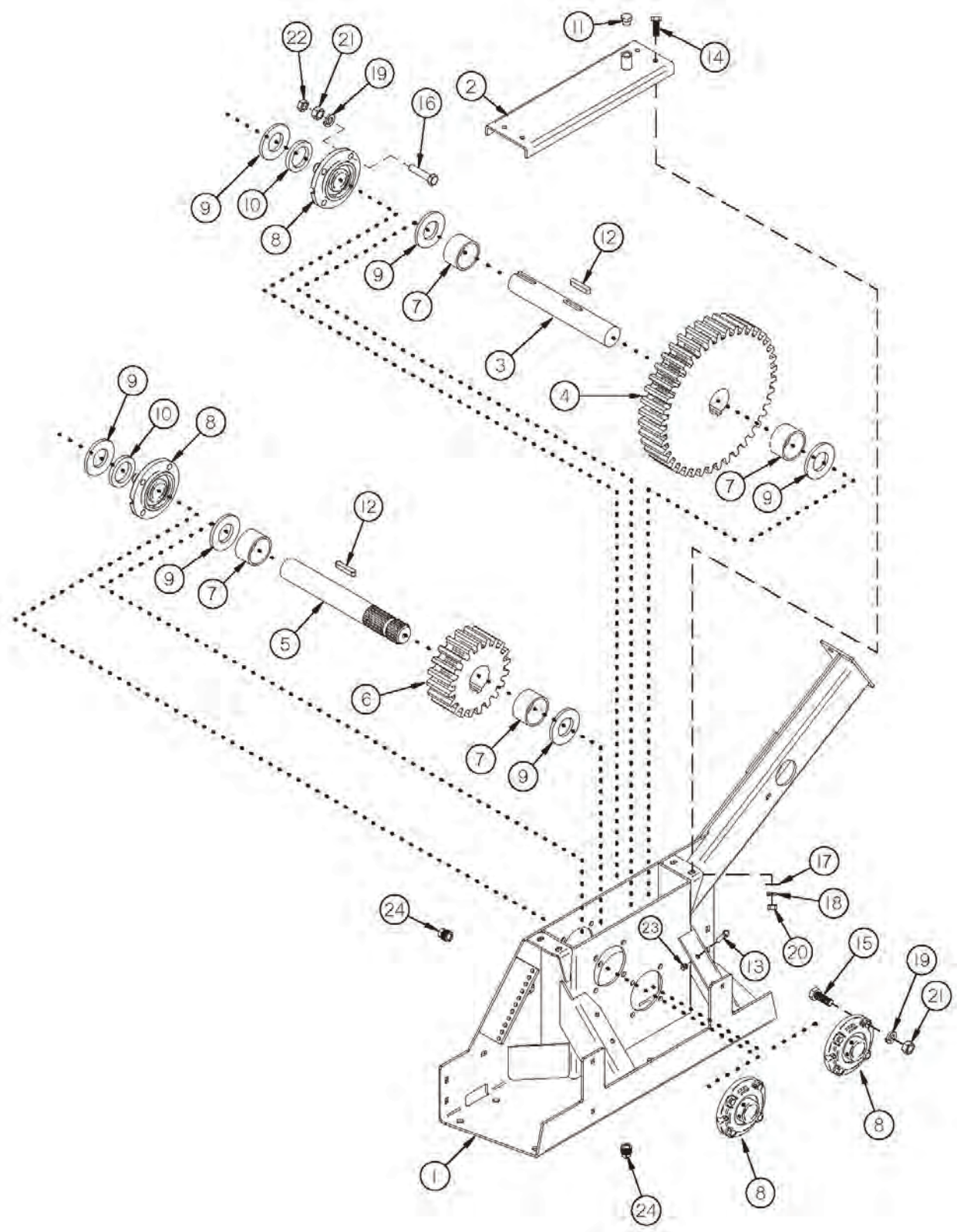
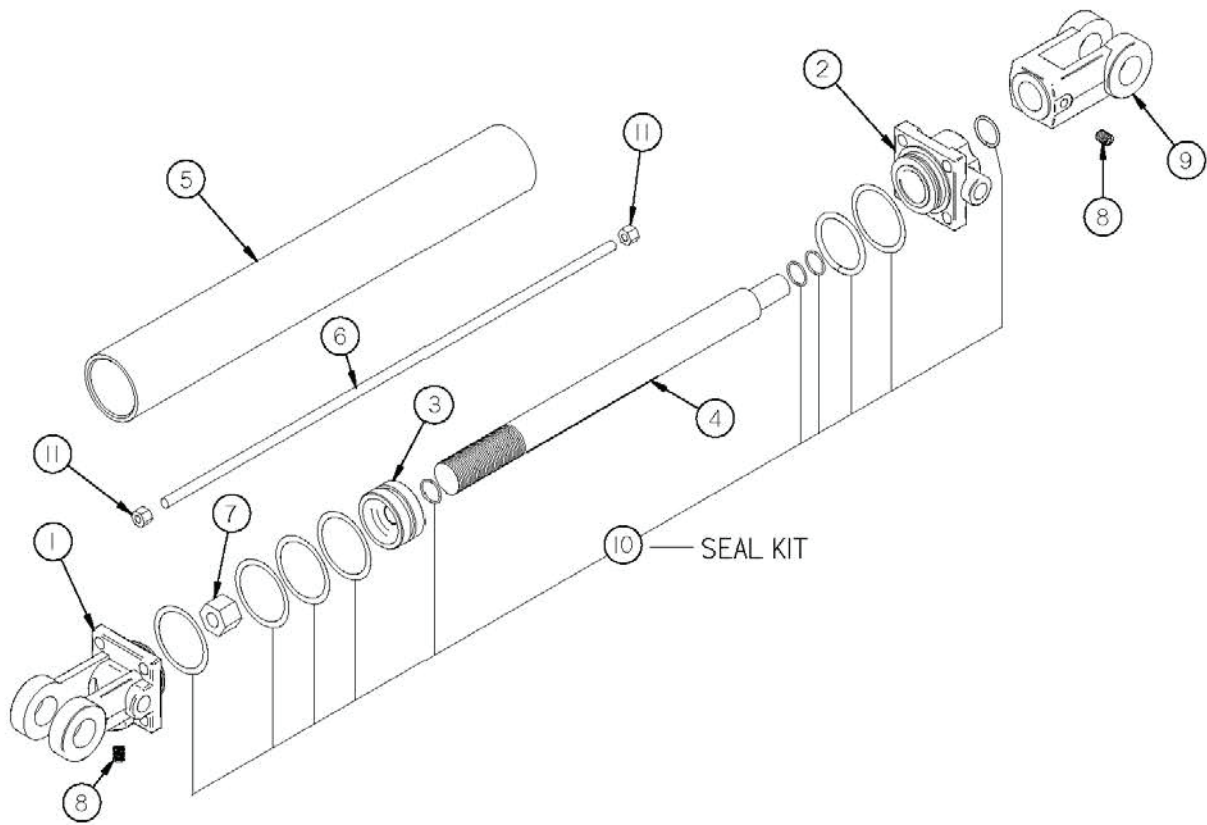




FIGURE 16
AUGER FRONT/REAR HYDRAULIC CYLINDER



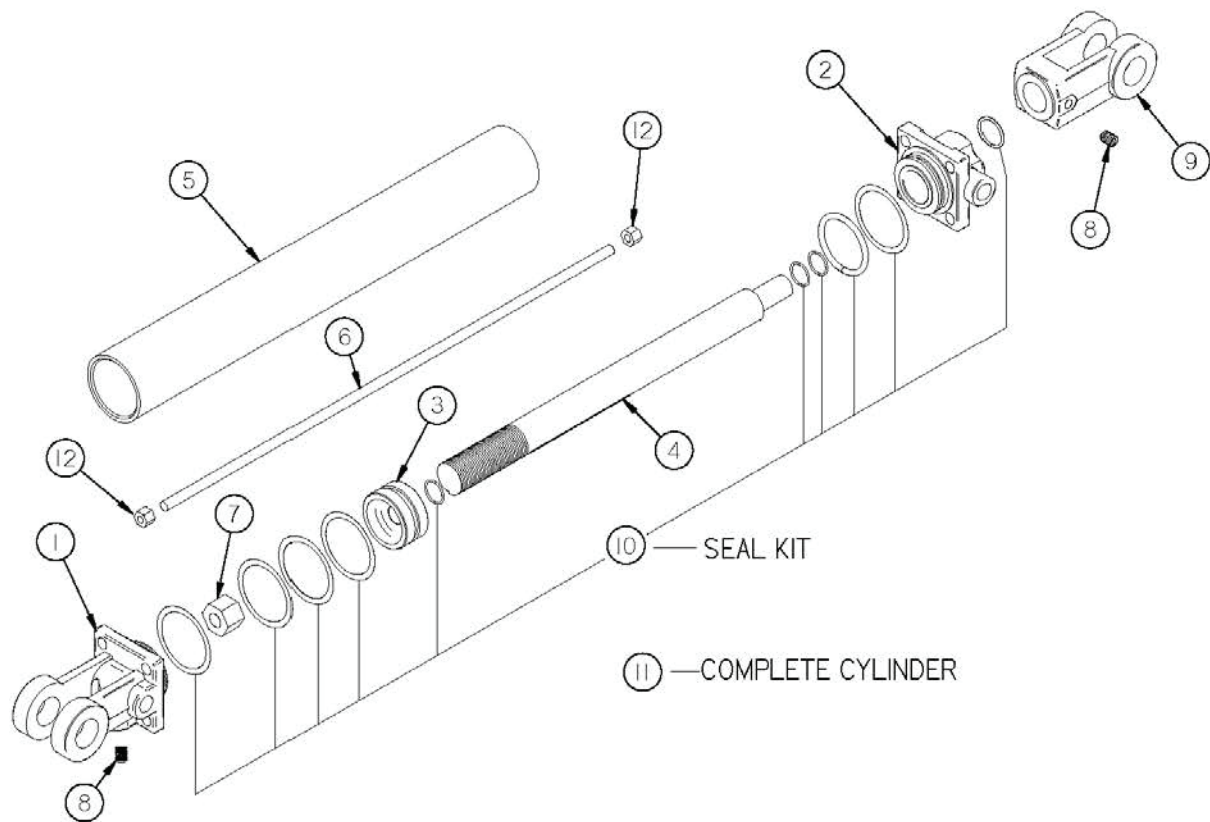
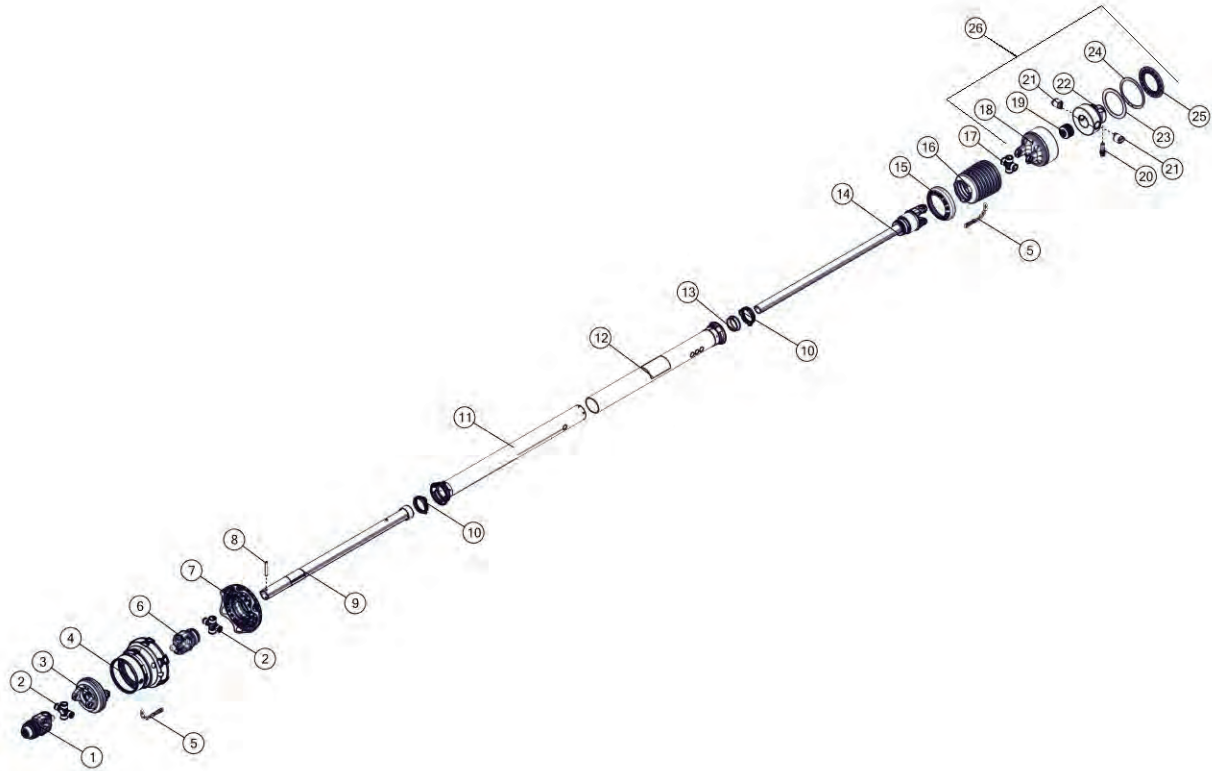




FIGURE 18

PTO - 1000RPM 1-3/8



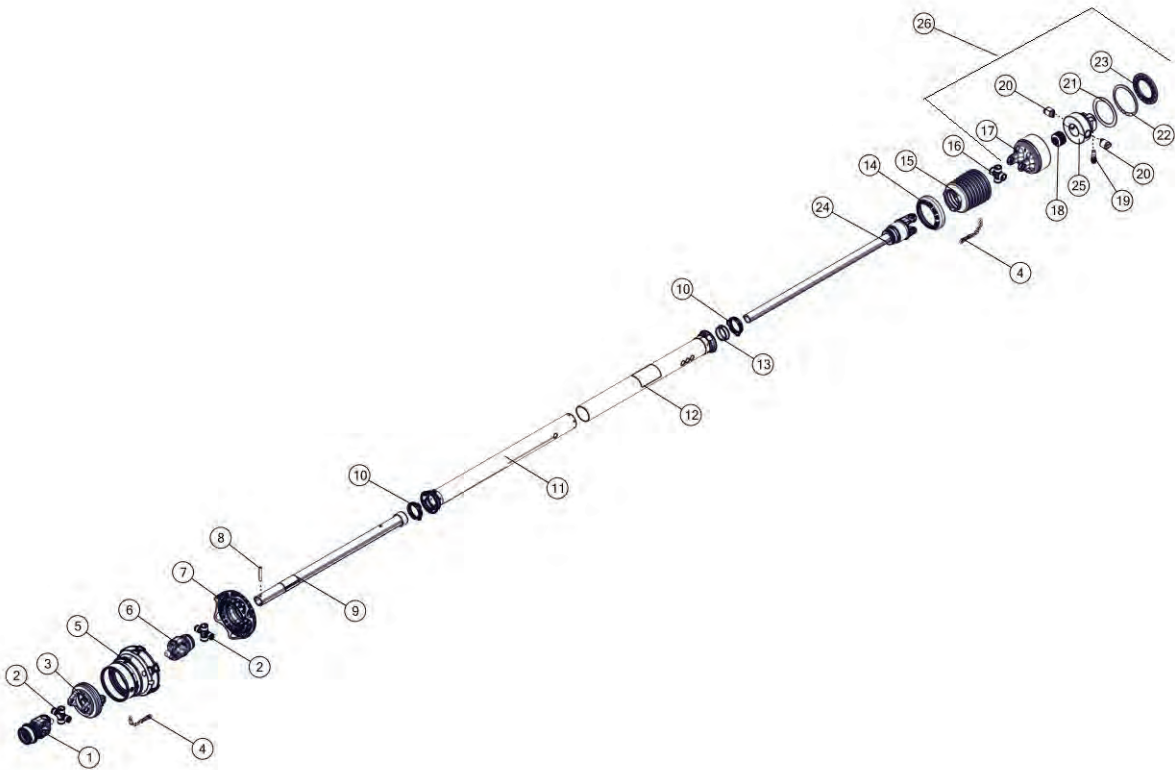
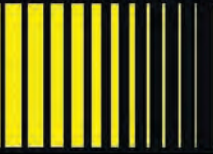




FIGURE 20
SCALE

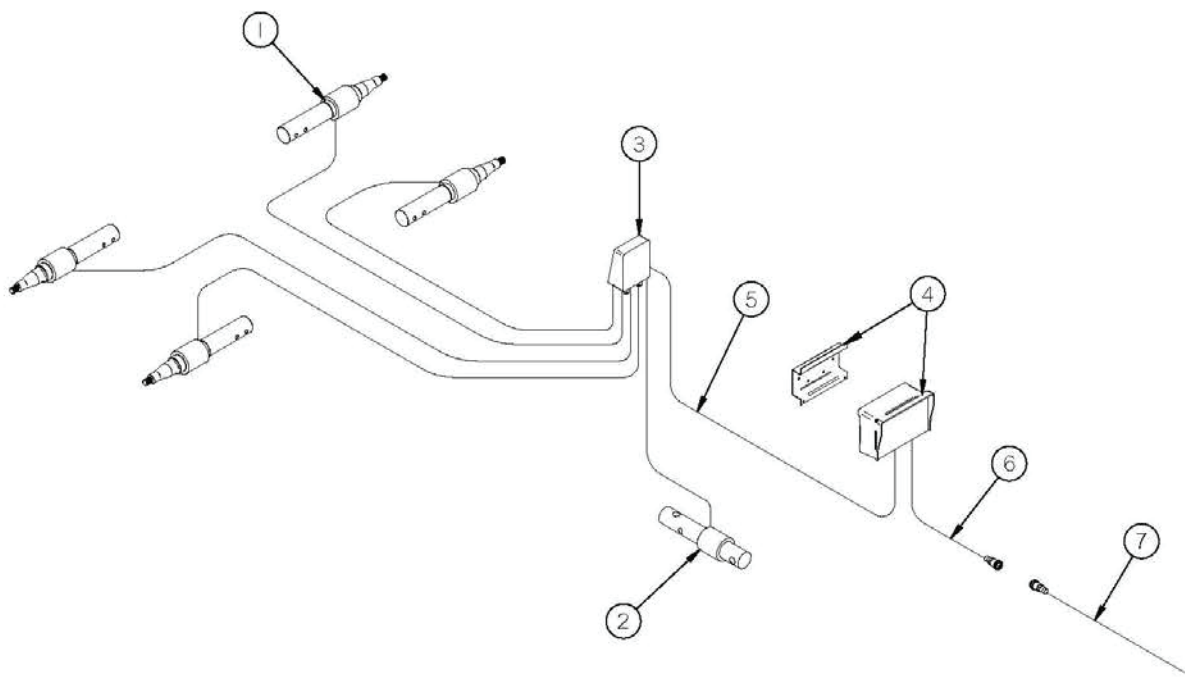




FIGURE 21 COVER COMPONENTS

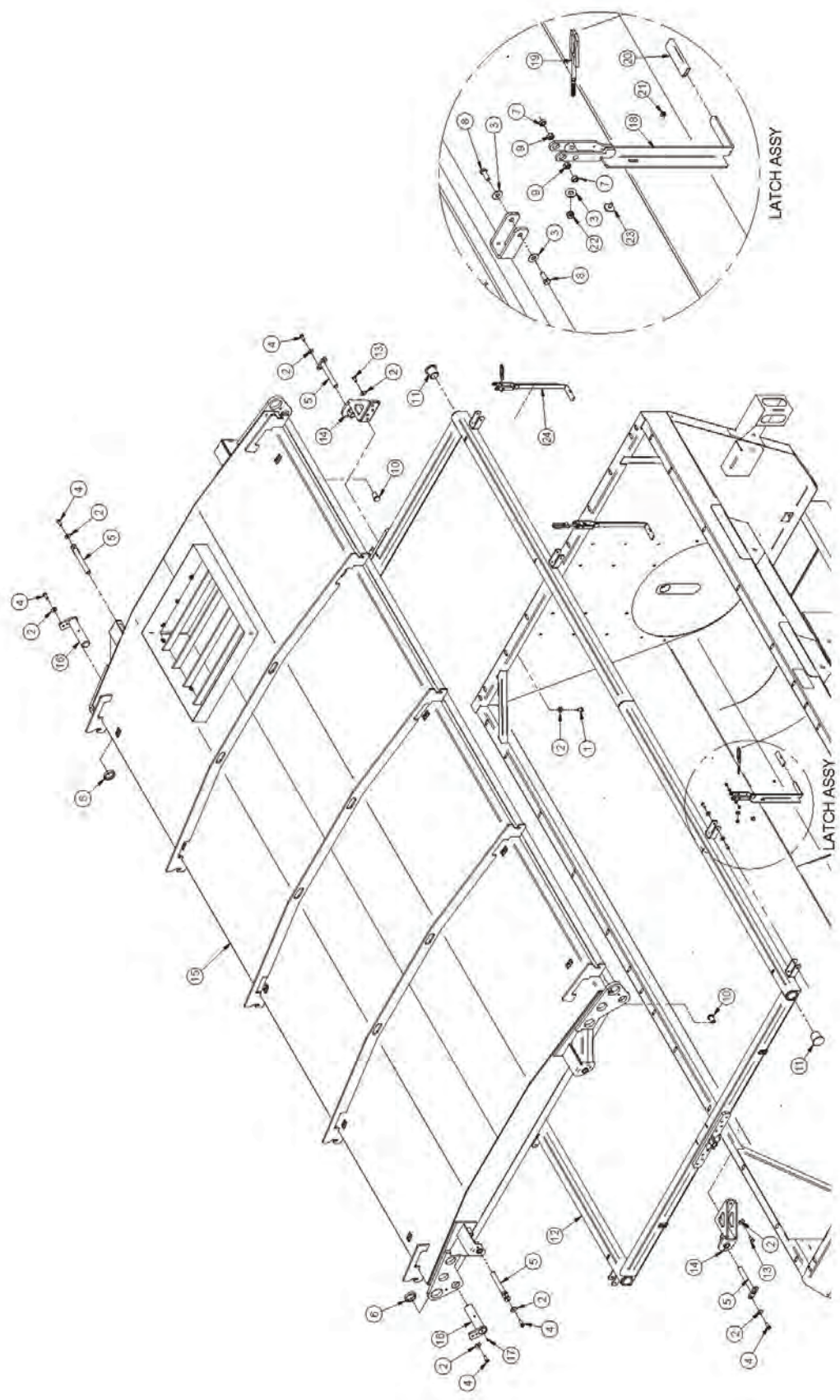




FIGURE 21 COVER COMPONENTS

| REF # | PART # | DESCRIPTION | QTY |
|-------|-----------|------------------------------------|-----|
| 1 | YBHH16010 | BOLT HEX, 1/2 X 1 | 46 |
| 2 | YWFL16005 | WASHER FLAT, 1/2 | 56 |
| 3 | YWFL12005 | WASHER FLAT, 3/8 G5 | 12 |
| 4 | YBHH16045 | BOLT HEX, 1/2 X 1-1/4 G5 | 2 |
| 5 | 0229WE05 | HANDLE, CYLINDER PIN | 4 |
| 6 | 0229TU05 | HINGE SPACER | 2 |
| 7 | GM180 | DOOR PIVOT | 8 |
| 8 | YBHH12010 | BOLT HEX, 3/8 x 1 G5 | 8 |
| 9 | YNRL12005 | NUT HEX, REVERSIBLE-SIDE LOCK, 3/8 | 8 |
| 10 | 0229MS06 | PIPE PLASTIC END PLUG | 2 |
| 11 | 0229MS04 | PIPE PLASTIC END PLUG | 2 |
| 12 | 0229WE13 | SUBFRAME WELDMENT | 1 |
| 13 | YBHH16012 | BOLT HEX, 1/2 X 1 G8 | 8 |
| 14 | 0229WE12 | CYLINDER BASE MOUNT WELDMENT | 2 |
| 15 | 0229WE01 | FRAME WELDMENT | 1 |
| 16 | 0229WE03 | HINGE PIN | 2 |
| 17 | BFR28 | STRAIGHT GREASE ZERK, 1/8 | 2 |
| 18 | 0229WE07 | LID LATCH RH | 2 |
| * | 0229WE20 | LID LATCH LH | 2 |
| 19 | 0229WE08 | DOOR HOOK | 4 |
| 20 | GM370 | HANDLE GRIP, 1-1/2 X 4 | 4 |
| 21 | YNNY08005 | NUT HEX, NYLON LOCKNUT, 1/4 | 4 |
| 22 | YNNY12005 | NUT NYLOCK, 3/8 G5 | 4 |
| 23 | 1022 | RUBBER BUMPER | 4 |
| 24 | 0229AS03 | LATCH LH | 2 |
| * | 0229AS08 | LATCH RH | 2 |
| | | | |
| | | | |
| | | | |
| | | | |
| | | | |
| | | | |
| | | | |
| | | | |
| | | | |
| | | | |





FIGURE 22 COVER HYDRAULICS

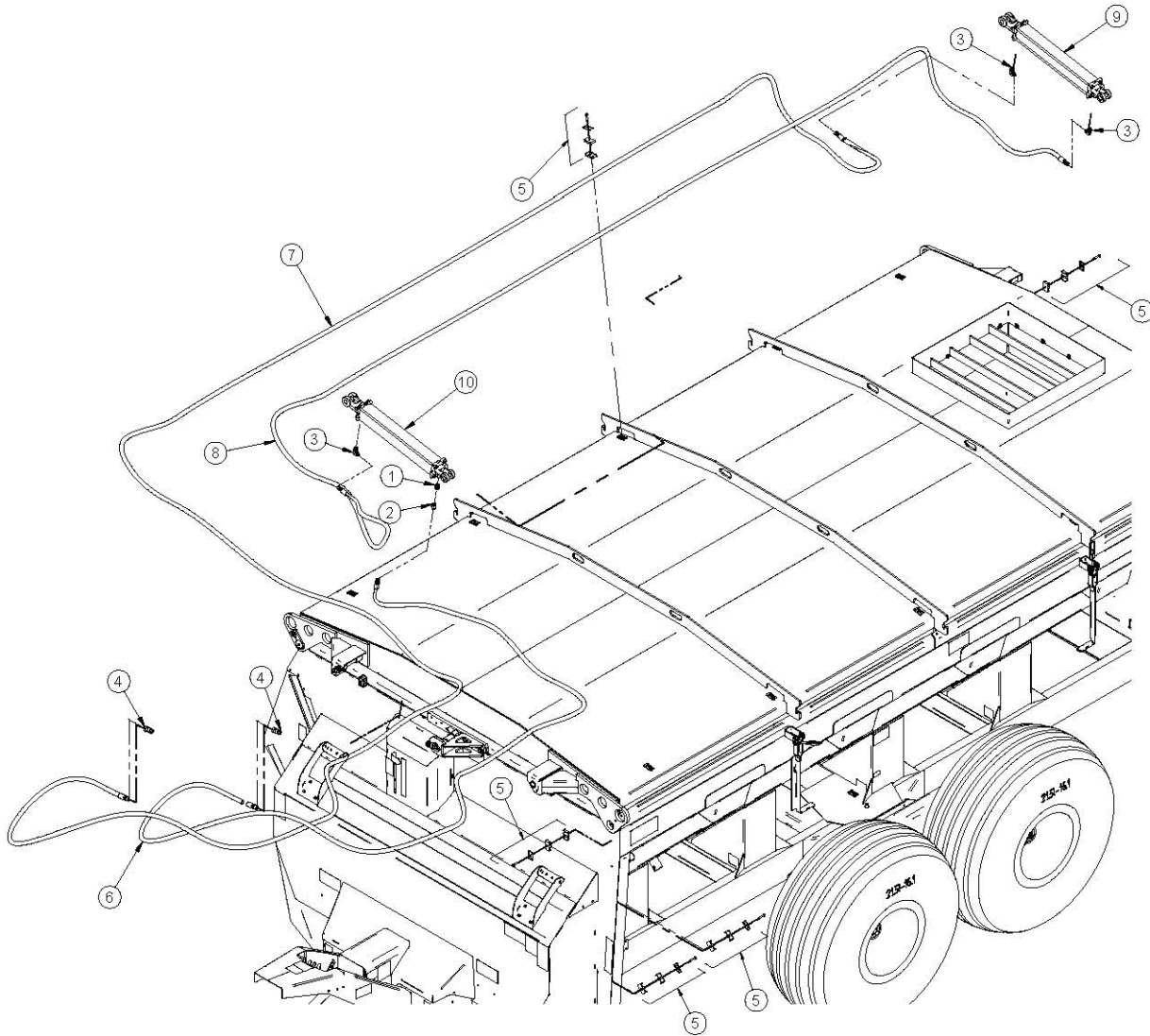




FIGURE 23
COVER SEAL

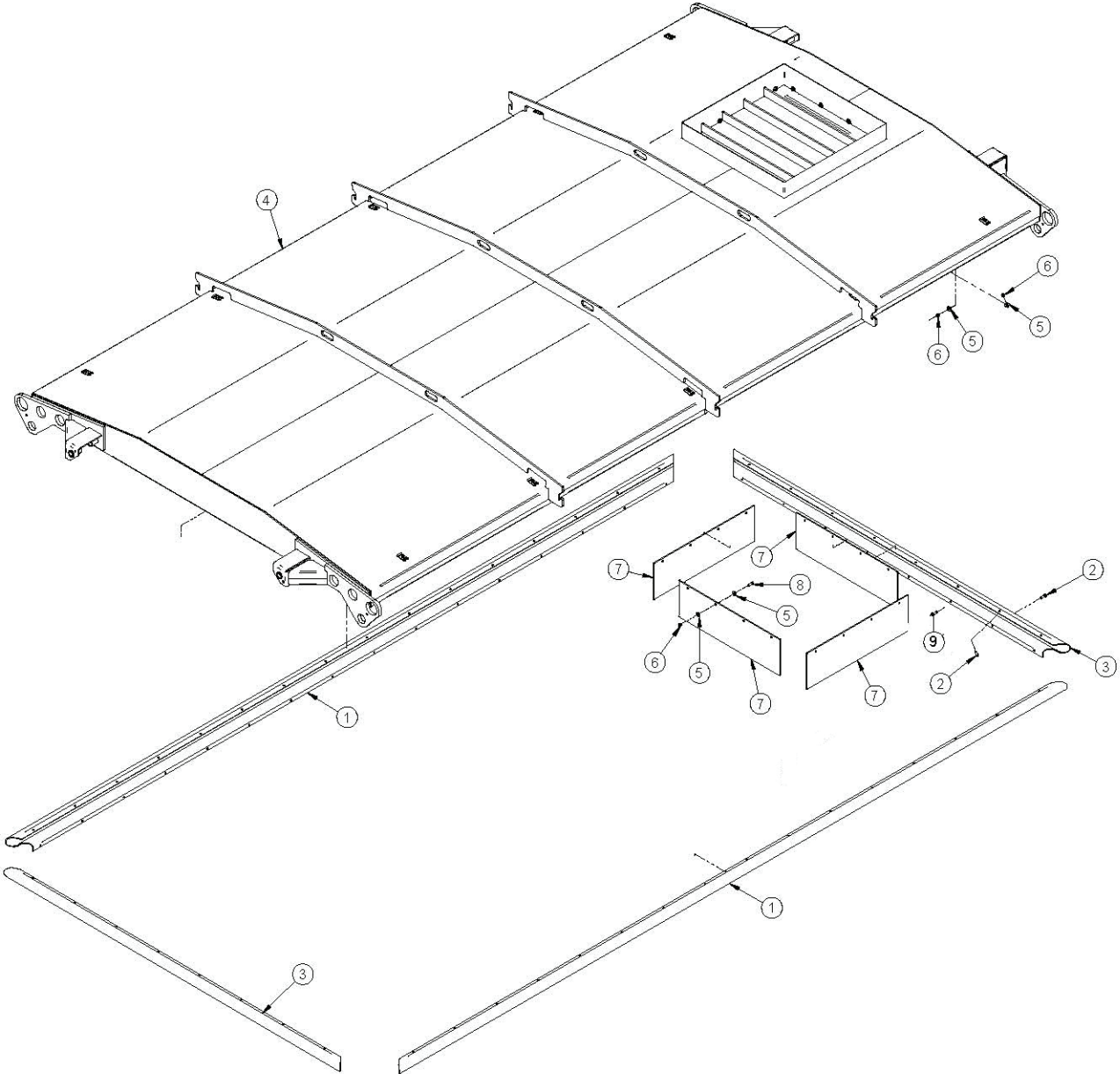




FIGURE 23 COVER SEAL

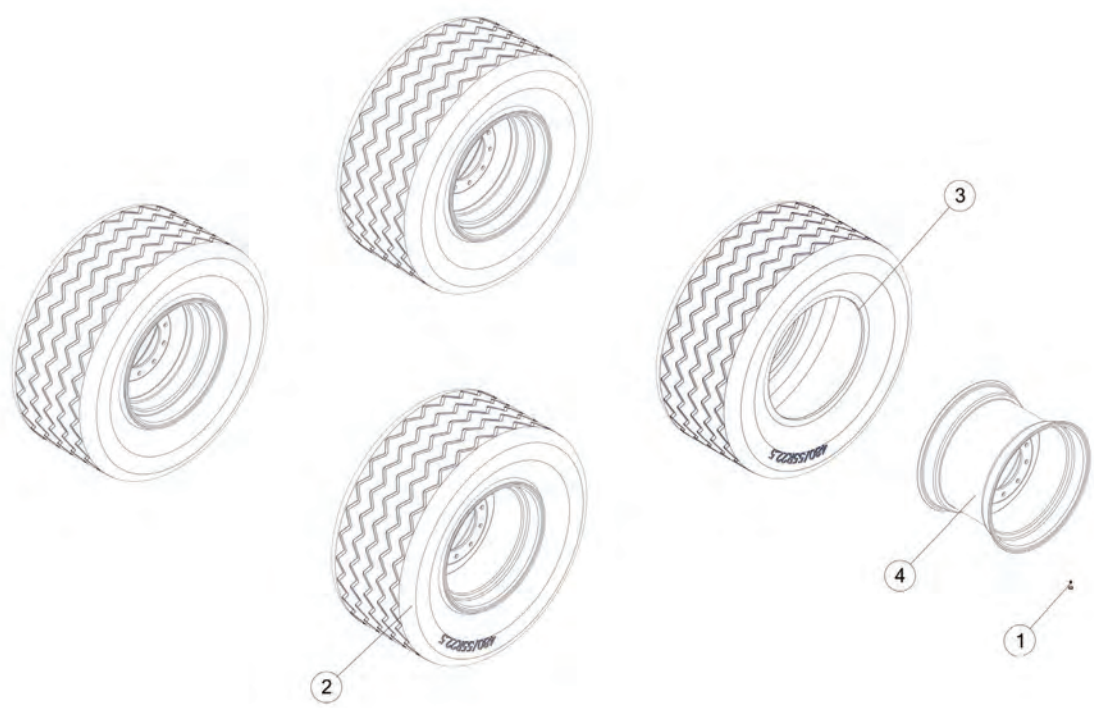
| REF # | PART # | DESCRIPTION | QTY |
|-------|-----------|-------------------------------|-----|
| 1 | 0229MS03 | SEAL BELT, LONG | 2 |
| 2 | YBCR12006 | BOLT CARRIAGE, 3/8 X 1 G2 | 48 |
| 3 | 0229MS02 | SEAL BELT, SHORT | 2 |
| 4 | 0229WE01 | FRAME | 1 |
| 5 | YWFL12005 | WASHER FLAT, 3/8 G5 | 128 |
| 6 | YNNY12005 | NUT HEX, NYLON LOCKNUT, 3/8 | 112 |
| 7 | 0229MS05 | BELTING, CHUTE | 4 |
| 8 | YBHH12010 | BOLT HEX, 3/8 X 1 G5 | 16 |
| 9 | YBCR12020 | BOLT CARRIAGE, 3/8 X 1-1/4 G5 | 48 |
| | | | |
| | | | |
| | | | |
| | | | |
| | | | |
| | | | |
| | | | |
| | | | |
| | | | |
| | | | |
| | | | |
| | | | |
| | | | |
| | | | |
| | | | |
| | | | |
| | | | |
| | | | |
| | | | |
| | | | |
| | | | |
| | | | |





FIGURE 24

OPTIONAL TIRE & WHEEL





| REF # | PART # | DESCRIPTION | QTY |
|-------|--------|--|-----|
| 1 | 72436 | VALVE STEM RUBBER, 1-1/2 | 4 |
| 2 | 77559 | 480/55 TIRE, 22.5 X AG16 10 BLT WHL | 4 |
| 3 | 77558 | TIRE, 480/55R22.5 | 4 |
| 4 | 77546 | WHEEL, 22.5 X AG16 10 HOLE (OFF-WHITE) | 4 |
| | | | |
| | | | |
| | | | |
| | | | |
| | | | |
| | | | |
| | | | |
| | | | |
| | | | |
| | | | |
| | | | |
| | | | |
| | | | |
| | | | |
| | | | |
| | | | |
| | | | |
| | | | |
| | | | |
| | | | |
| | | | |





FIGURE 25

OPTIONAL TIRE & WHEEL - HEAVY AXLE

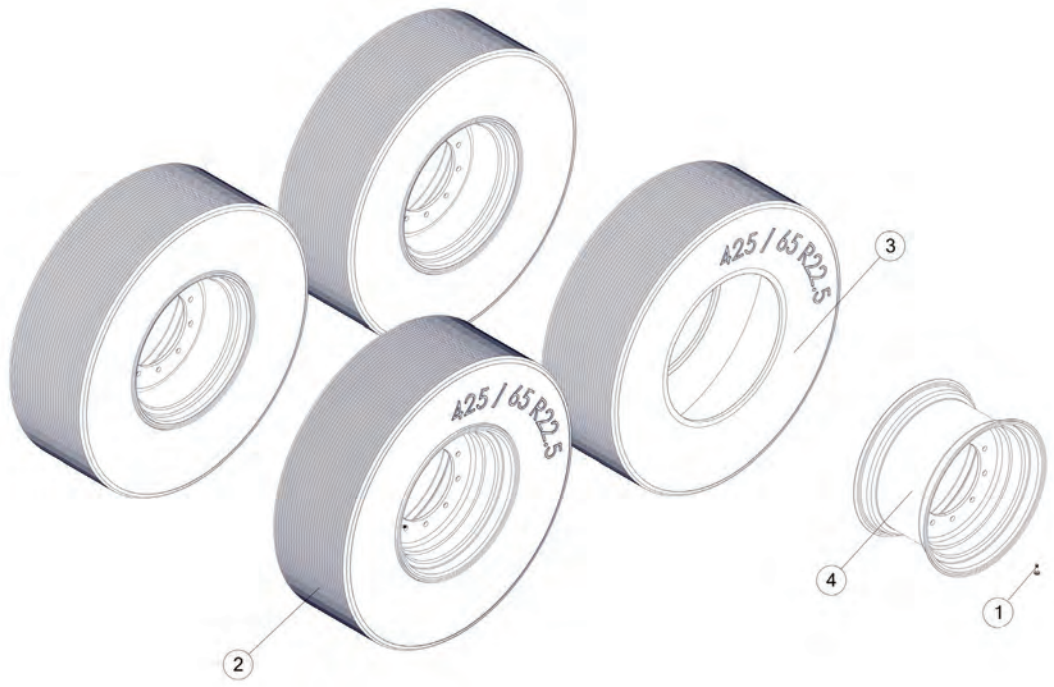




FIGURE 25

OPTIONAL TIRE & WHEEL - HEAVY AXLE

| REF # | PART # | DESCRIPTION | QTY |
|-------|--------|--|-----|
| 1 | 72436 | VALVE STEM RUBBER, 1-1/2 | 4 |
| 2 | 77168 | TIRE 425 X 22.5 ON WHEEL 22.5 X 13 - 10 BOLT | 4 |
| 3 | 16SV88 | TIRE, 425 X 22.5 | 4 |
| 4 | 77167 | WHEEL, 22.5 X 13 10 BOLT | 4 |
| | | | |
| | | | |
| | | | |
| | | | |
| | | | |
| | | | |
| | | | |
| | | | |
| | | | |
| | | | |
| | | | |
| | | | |
| | | | |
| | | | |
| | | | |
| | | | |
| | | | |
| | | | |
| | | | |
| | | | |
| | | | |
| | | | |
| | | | |
| | | | |
| | | | |
| | | | |





FIGURE 26 DISCHARGE DEFLECTOR HYDRAULIC

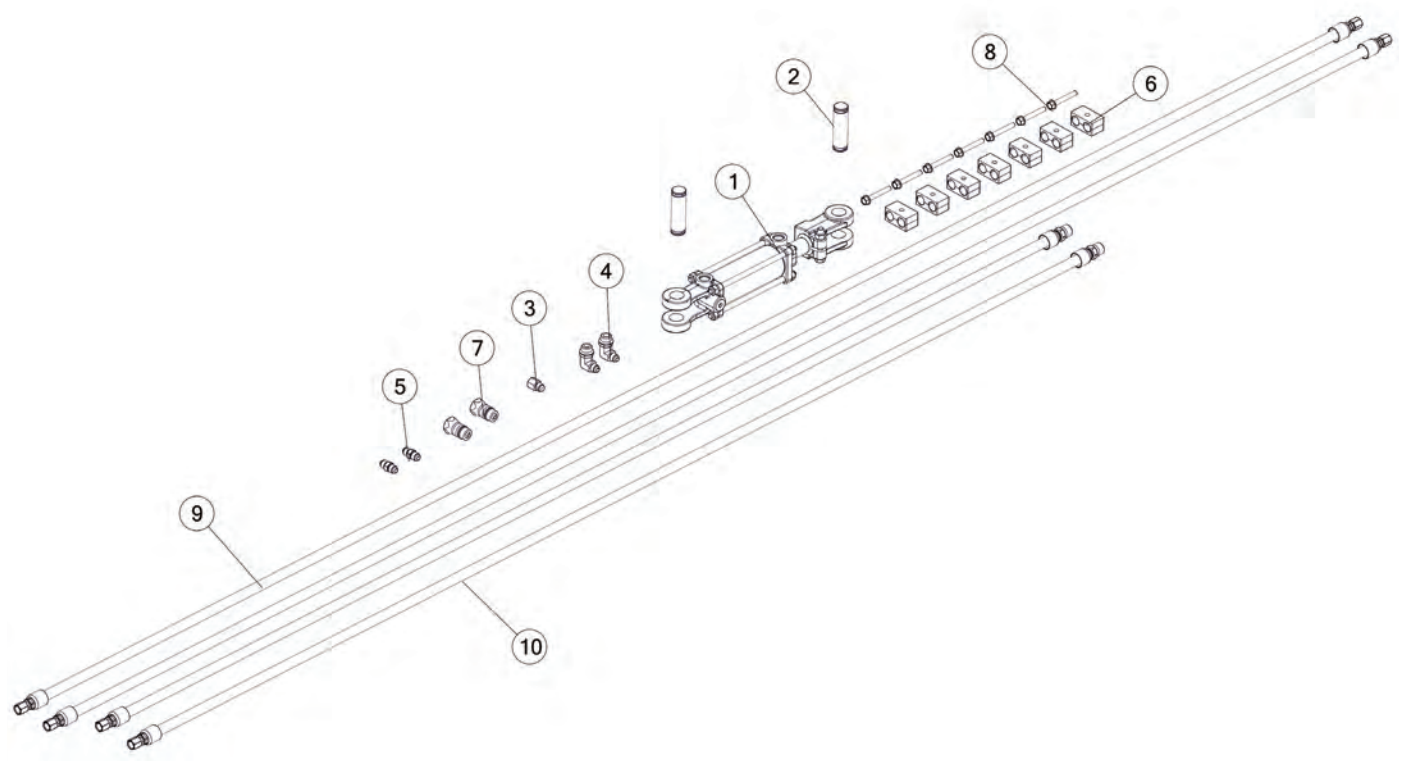




FIGURE 27

ELEC VALVE FOR DISCHARGE DEFLECTOR HYDRAULIC CYLINDER

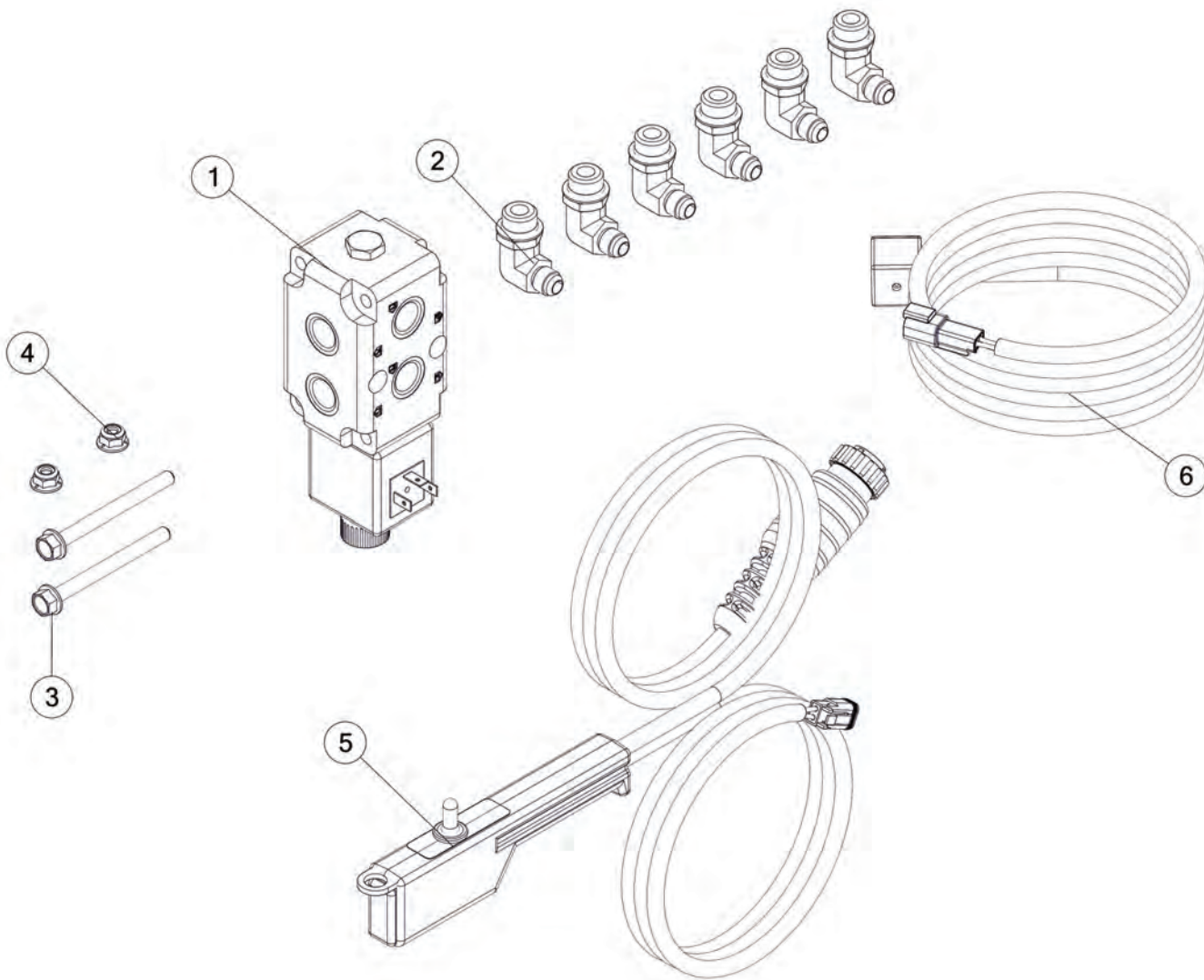




FIGURE 27
ELEC VALVE FOR DISCHARGE DEFLECTOR
HYDRAULIC CYLINDER

| REF # | PART # | DESCRIPTION | QTY |
|-------|-----------|--------------------------------------|-----|
| 1 | FR81 | SOLENOID SELECTOR VALVE | 1 |
| 2 | CHM206 | 06 90 DEG TO 3/4-16 ORB FITTING | 6 |
| 3 | YBFB10350 | BOLT FLANGE, 5/16 X 3-1/2 G8 | 2 |
| 4 | YNFG10005 | NUT FLANGE, 5/16 GF | 2 |
| 5 | 85397 | HAND CONTROLLER, (ON)-OFF | 1 |
| 6 | 56138 | 10' DIN TO 2 PIN FEMALE DEUTSCH CORD | 1 |
| | | | |
| | | | |
| | | | |
| | | | |
| | | | |
| | | | |
| | | | |
| | | | |
| | | | |
| | | | |
| | | | |
| | | | |
| | | | |
| | | | |
| | | | |
| | | | |
| | | | |
| | | | |
| | | | |
| | | | |
| | | | |
| | | | |
| | | | |
| | | | |
| | | | |
| | | | |
| | | | |
| | | | |





H&S MFG. CO.
products approved
for the
FEMA
SEAL OF QUALITY



Manufactured by:
H&S MANUFACTURING CO., INC.
2608 S. HUME AVE. MARSHFIELD, WI 54449
(715) 387-3414 | hsmfgco.com

