



PARTS BOOK

TS5234

MANURE SPREADER

Part #72827

Rev. #09

HSMFG121523

Starting Ser. #422TS34007



TABLE OF CONTENTS

FIGURE #	CONTENTS	PAGE #
*	INSTRUCTIONS FOR ORDERING PARTS	1
1	AUGER / LINER SLIDES /HITCH	2-5
2	AUGER / EXPELLER DRIVE	6-9
3	EXPELLER / DISCHARGE GATE / BEARINGS	10-11
4	EXPELLER / DISCHARGE GATE / DOOR	12-15
5	EXPELLER / DISCHARGE GATE / PAN	16-17
6	GUARDS / SHIELDS	18-21
7	SPLASH GUARDS / RAILS	22-23
8	HYDRAULICS	24-27
9	TANDEM AXLES	28-29
10	OPTIONAL TANDEM AXLES - TSOTA	30-31
11	OILER KIT	32-33
12	FRONT GREASE LINES	34-35
13	LIGHTING	36-37
14	AUGER	38-39
15	GEAR BOX	40-41
16	AUGER FRONT & REAR HYDRAULIC CYLINDER	42-43
17	EXPELLER DOOR HYDRAULIC CYLINDER	44-45
18	PTO - 1000 RPM 1-3/8	46-47
19	PTO - 1000 RPM 1-3/4	48-49
20	SCALE	50-51
21	COVER COMPONENTS	52-53
22	COVER HYDRAULICS	54-55
23	COVER SEAL	56-57
24	OPTIONAL TIRE & WHEEL	58-58
25	OPTIONAL TIRE & WHEEL HEAVY AXLES	60-61
26	DISCHARGE DEFLECTOR HYDRAULIC	62-63
27	ELEC. VALVE FOR DISCHARGE DEFLECTOR HYD CYLINDER	64-65
*	PARTS NOTES	66



INSTRUCTIONS FOR ORDERING PARTS

All service parts should be ordered through your authorized H&S dealer. Your Dealership will be able to give you faster service if you will provide them with the following:

1. All references to left or right apply to the machine as viewed from the rear.
2. Parts should not be ordered from illustration only. Please order complete part number.
3. If your dealer has to order parts - give shipping instructions:

VIA truck - large pieces (please specify local truck lines)

VIA United Parcel Service (include full address)

H&S MFG. CO. INC.	
MARSHFIELD, WIS.	
MOD. NO.	<input type="text"/>
SER. NO.	<input type="text"/>
DESCR.	<input type="text"/>

PLEASE RECORD NUMBERS FOR YOUR UNIT FOR QUICK REFERENCE

H&S IS CONTINUALLY STRIVING TO IMPROVE ITS PRODUCTS

We must, therefore, reserve the right to make improvements or changes whenever it becomes practical to do so, without incurring any obligation to make changes or additions to the equipment previously sold.



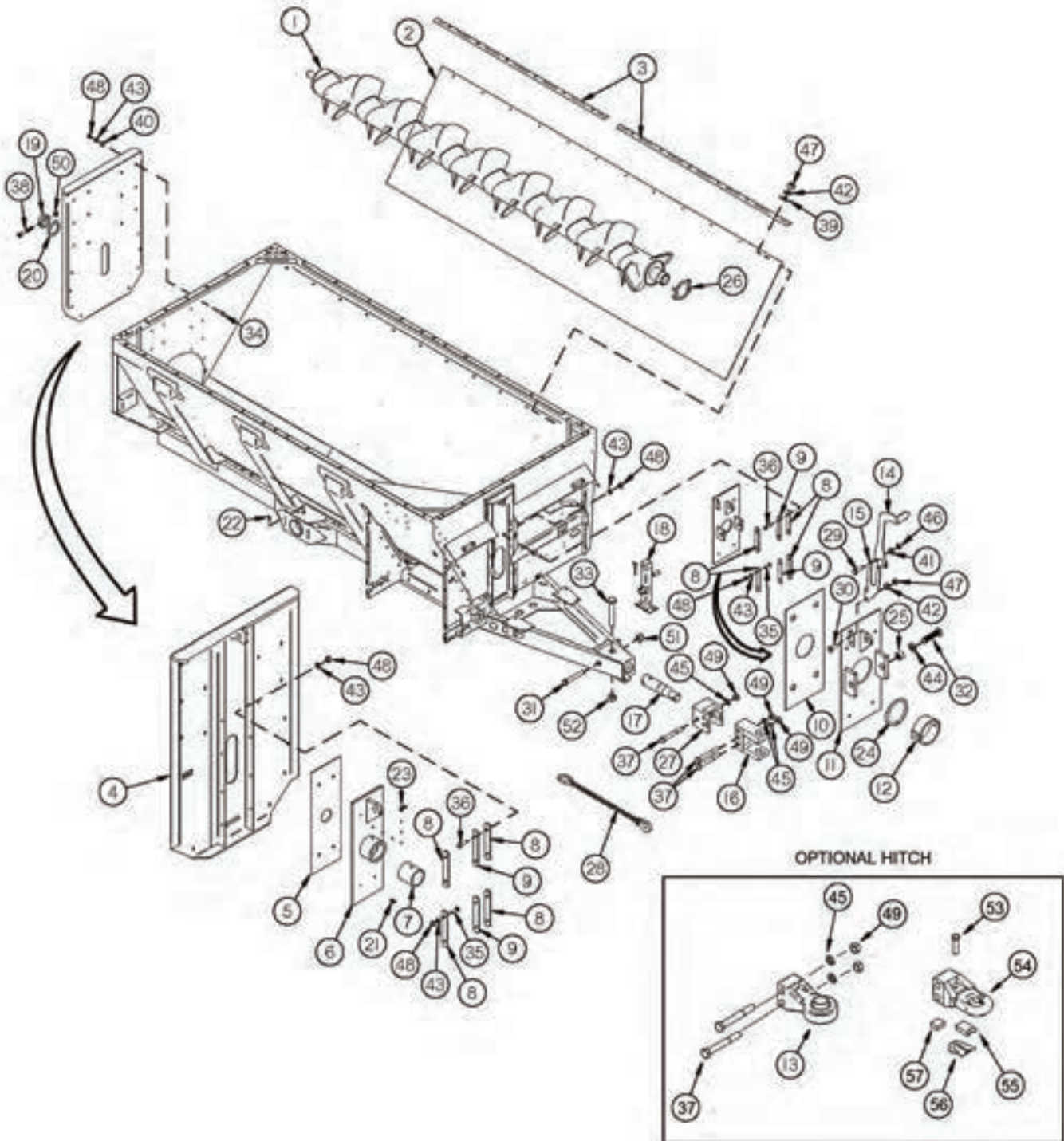




FIGURE 1

AUGER / LINER / SLIDES / HITCH

REF #	PART #	DESCRIPTION	QTY
1	TS200	AUGER	1
2	TS201	TUB SIDE POLY	1
3	TS4	POLY TOP HOLD DOWN	1
4	TS202	PANEL BACK	1
5	TS7	SLIDER POLY BACK	1
6	TS309	SLIDER BACK	1
7	TS9	AUGER BUSHING REAR	1
8	TS10	SLIDER GUIDE	8
9	TS308	SLIDER GUIDE THIN	6
10	TS203	POLY SLIDE FRONT	1
11	TS204	SLIDE PLATE FRONT	1
12	TS400	TRUNNION HOUSING W/BEARING	1
13	58290	ARTICULATING HITCH	1
14	TS207	AUGER INDICATOR TOP	1
15	TS208	AUGER INDICATOR BOTTOM	1
16	56310	HEAVY CLEVIS	1
17	TS210	HITCH BAR STRAIGHT	1
18	TS306	JACK, SIDE WIND, 7000LBS	1
19	TS19	AUGER BACK COLLAR	1
20	TS227	SPACER 2-17/32 (THICK)	A/R
*	TS28	SPACER 2-17/32 (THIN)	A/R
21	G89	STRAIGHT ZERK, 1/4 X 90	1
22	DWM133	GREASE ZERK 45 DEGREE, 1/8	1
*	16SV440	GREASE ZERK, 1/8	1
23	RG51	GREASE ZERK 90 DEGREE	1
24	TS229	RUBBER RING, 6	1
25	TS230	BUSHING, 3/4 X 7/8	3
26	TS320	WEAR PLATE, 6 INCH	1
27	APX3HF41	HITCH ADAPTER	1
28	SC60000	SAFETY CHAIN 60000# (OPTIONAL)	1
29	YBHH08100	BOLT HEX, 1/4 X 3/4 G5	1
30	YBHH10105	BOLT HEX, 5/16 X 3/4 G5	1
31	YBHH20101	BOLT HEX, 5/8 X 6 G8	1
32	YBHH24018	BOLT HEX, YELLOW ZINC FINISH, 3/4 X 2 G8	1
33	YBHH32026	BOLT HEX, 1 X 6 G8	2
34	YBCR12010	BOLT CARRIAGE, 3/8 X 1 G5	20
35	YBCR12020	BOLT CARRIAGE, 3/8 X 1-1/4 G5	8
36	YBCR12015	BOLT CARRIAGE, 3/8 X 1-1/2 G5	8
37	YBHH32034	BOLT HEX, 1 X 7-1/2 G8	5



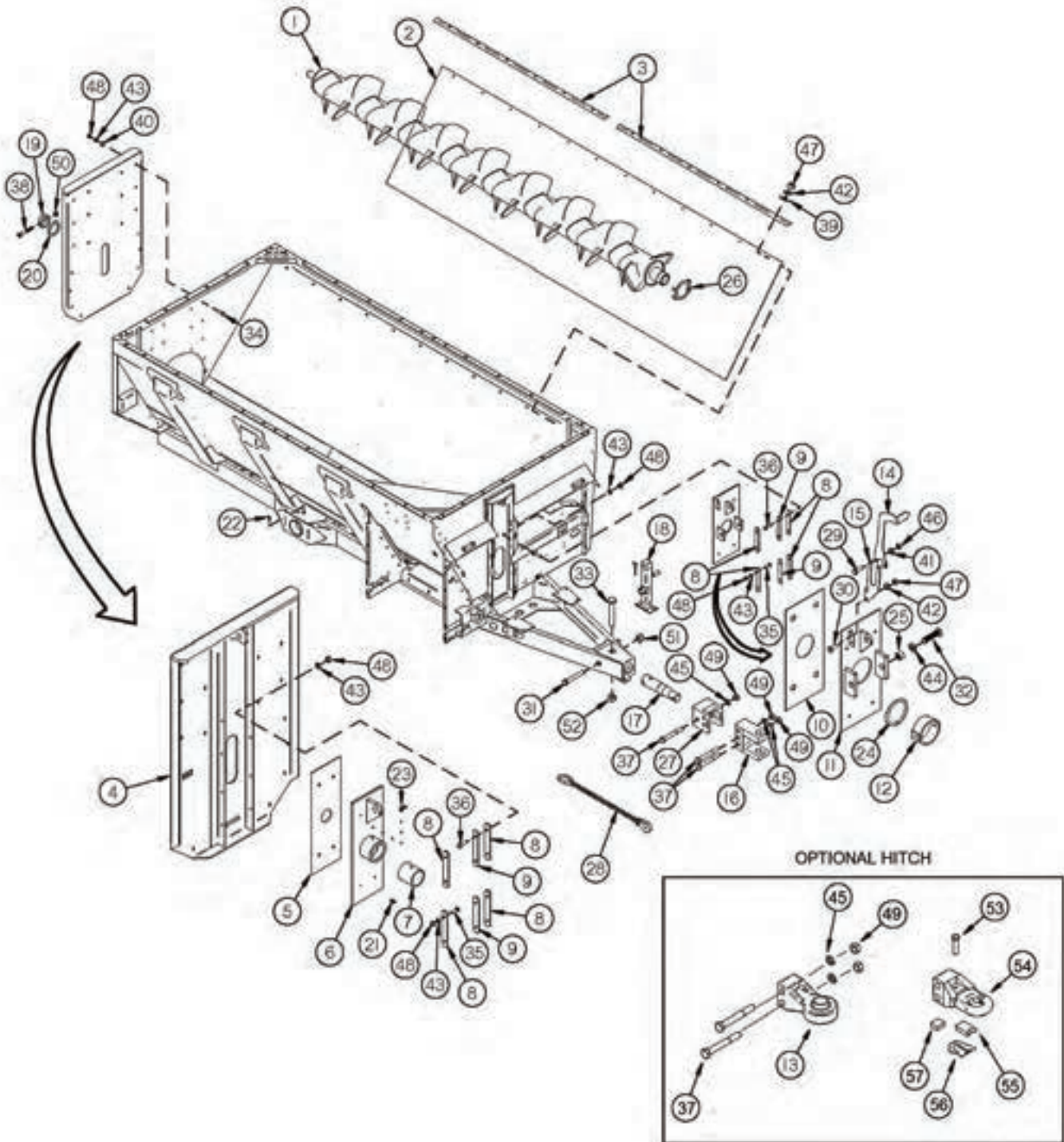




FIGURE 2
AUGER / EXPELLER DRIVE

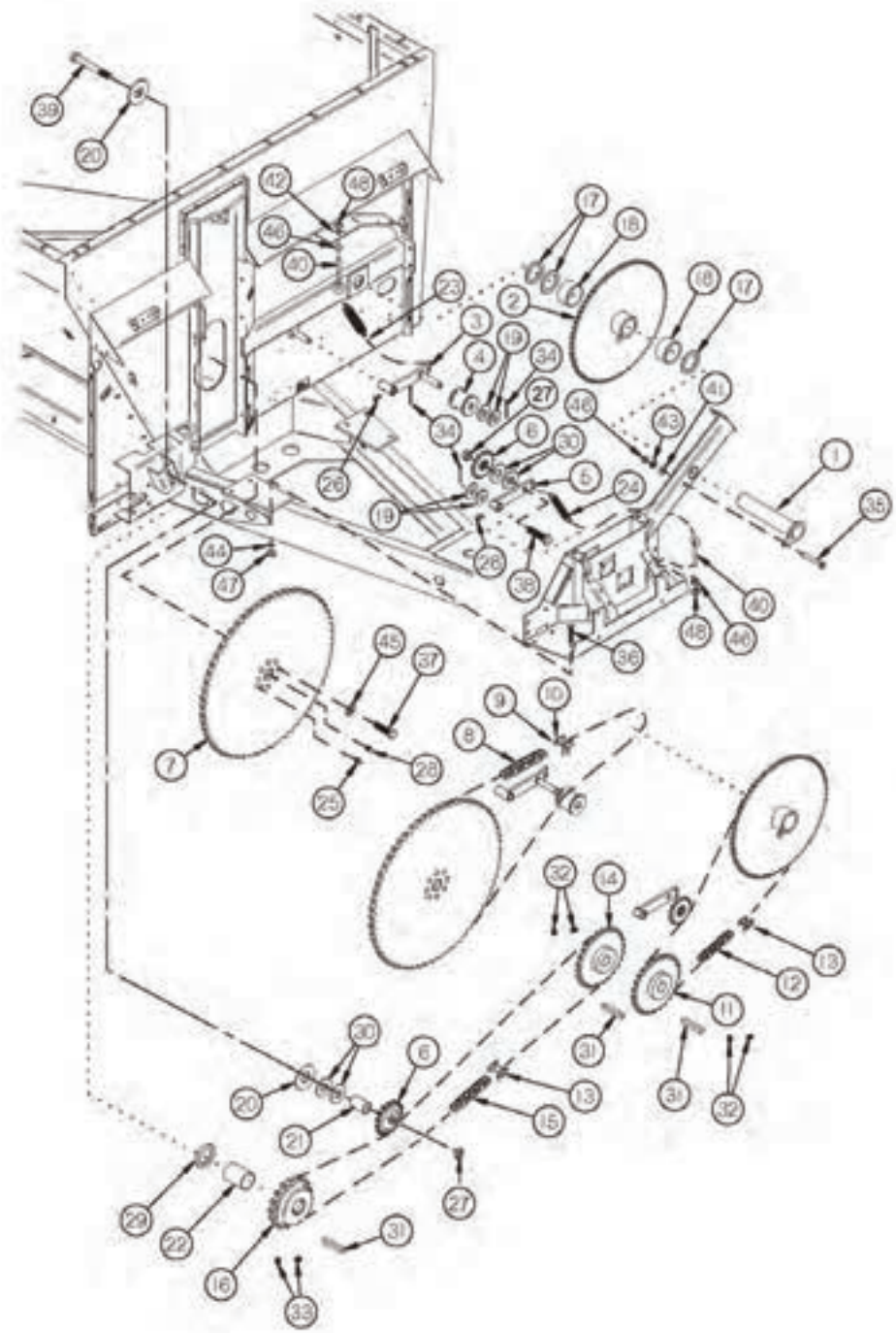




FIGURE 2

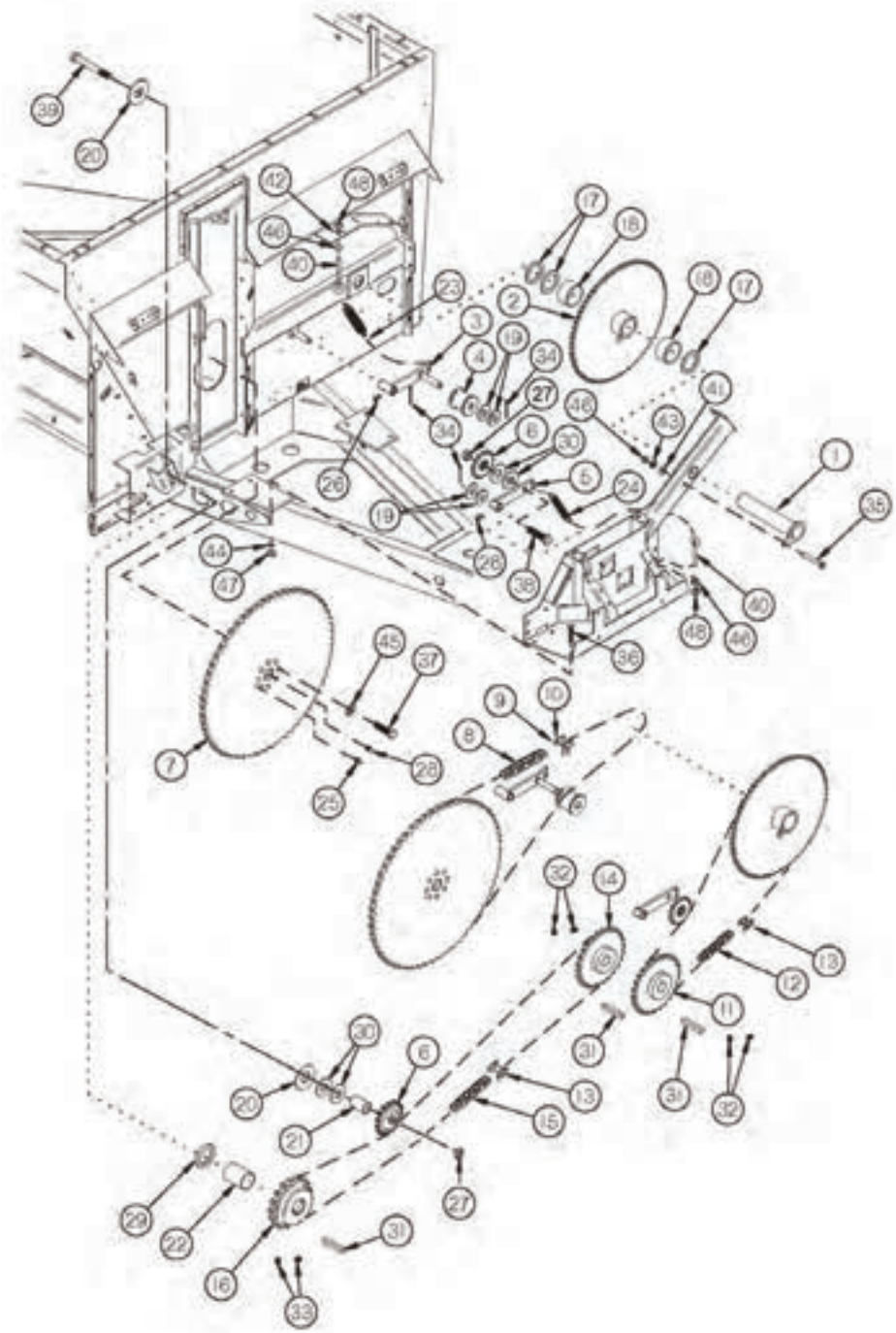
AUGER / EXPELLER DRIVE

REF #	PART #	DESCRIPTION	QTY
1	TS211	COUNTER SHAFT	1
2	TS212	COUNTER SHAFT REDUCTION	1
3	TS213	AUGER CHAIN TENSIONER	1
4	TS25	ROLLER IDLER	1
5	TS214	CHAIN TENSIONER	1
6	16SV328	SPROCKET W/SNAP RING AND BEARING	2
7	TS217	SPROCKET	1
8	TS218	ROLLER CHAIN (#140HE)	1
9	TS219	OFFSET LINK (#140HE)	1
10	TS220	CONNECTOR LINK (#140HE)	1
11	TS221	DRIVE SPROCKET, #80X14T STD, FACTORY	1
*	TS372	DRIVE SPROCKET, #80X12T OPTIONAL, FIELD	1
*	TS373	DRIVE SPROCKET, #80X15T OPTIONAL, FIELD	1
*	TS224	DRIVE SPROCKET, #80X16T OPTIONAL, FIELD	1
12	TS222	ROLLER CHAIN, #80HEX98 14T&15T SPRCKT, FACT	1
*	TS375	ROLLER CHAIN, #80HEX97 12T SPROCKET, FIELD	1
*	TS376	ROLLER CHAIN, #80HEX99 16T SPROCKET, FIELD	1
13	TS223	CONNECTOR LINK, (#80HE)	2
14	TS224	SPROCKET, #80X16T STANDARD, FACTORY	1
*	TS372	SPROCKET, #80X12T OPTIONAL, FIELD	1
*	TS221	SPROCKET, #80X14T OPTIONAL, FIELD	1
15	TS225	ROLLER CHAIN, #80HE X 84 16T SPRCKT, FACTORY	1
*	TS379	ROLLER CHAIN, #80HE X 82 12T SPRCKT, FLD)	1
*	TS380	ROLLER CHAIN, #80HE X 83 14T SPROCKET, FIELD	1
16	TS226	SPROCKET, 80B17	1
17	TS227	SPACER, 2-17/32 (THICK)	A/R
*	TS28	SPACER, 2-17/32 (THIN)	A/R
18	73576	BRONZE BUSHING, 2-1/2 X 3 X 3	2
19	YWFL32005	WASHER FLAT, SAE 1 ZINC	4
20	16SV376	SPACER	2
21	TS230	TRUNION PIVOT BUSHING, 3/4 X 7/8 X 1-1/4	3
22	TS231	SPACER	1
23	BFR138	SPRING	1
24	10R14	SPRING	1
25	G89	STRAIGHT ZERK, 1/4 X 90	3
26	RG51	GREASE ZERK, 1/4 - 28 90 DEGREE	2
27	YNRL24005	NUT HEX, REVERSIBLE-SIDE LOCK, 3/4	2
28	BFR28	GREASE ZERK, 1/8	1





FIGURE 2
AUGER / EXPELLER DRIVE



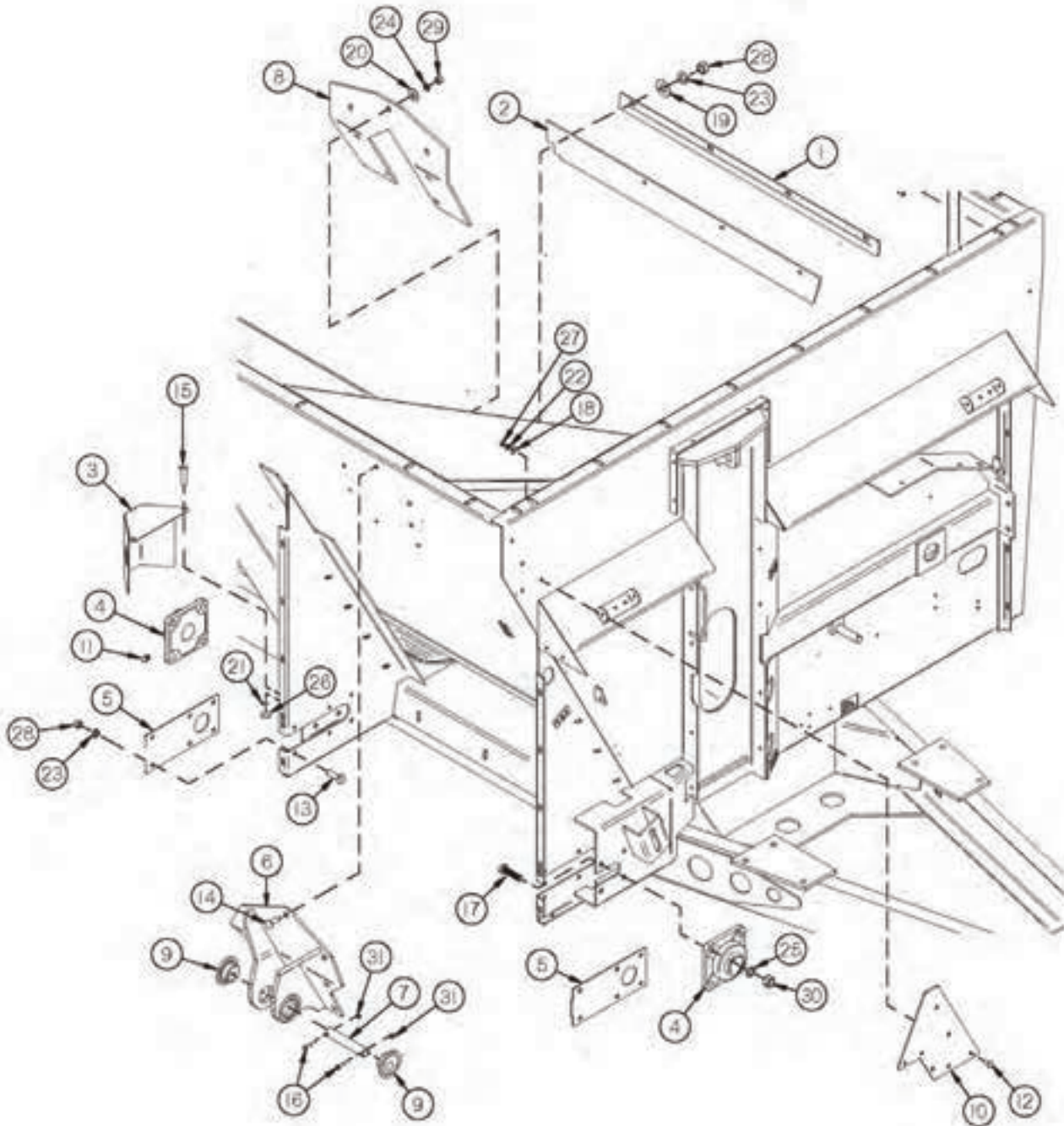




FIGURE 3

EXPELLER / DISCHARGE GATE / BEARINGS

REF #	PART #	DESCRIPTION	QTY
1	TS43	DOOR SEAL CLAMP	1
2	TS44	EXPELLER DOOR SEAL TOP	1
3	TS45	EXPELLER BEARING SHIELD	1
4	HGV41	EXPELLER BEARING	2
5	TS47	COVER PLATE	2
6	APX3WE69	CYLINDER MOUNT	1
7	APX3SH15	DOOR CYLINDER PIN TOP	1
8	APX33G52	DOOR CYLINDER REINFORCEMENT	1
9	DWM314	HEX PLUG	2
10	APX310G66	BOLT ON INDICATOR MOUNT	1
11	G89	STRAIGHT GREASE ZERK, 1/4 X 90	1
12	YBCR10010	BOLT CARRIAGE, 5/16 X 1 G5	4
13	YBCR12010	BOLT CARRIAGE, 3/8 X 1 G5	12
14	YBCR16010	BOLT CARRIAGE, 1/2 X 1-1/2 G5	7
15	YBHH08100	BOLT HEX, 1/4 X 3/4 G5	2
16	YBHH08025	BOLT HEX, 1/4 X 1-1/2 G5	2
17	YBHH18010	BOLT HEX, 9/16 X 1-3/4 G5	8
18	YWFL06010	WASHER FLAT, 3/16	4
19	YWFL12005	WASHER FLAT, 3/8	4
20	YWFL16005	WASHER FLAT, 1/2	7
21	YWLO08005	WASHER LOCK, 1/4	2
22	YWLO10005	WASHER LOCK, 5/16	4
23	YWLO12005	WASHER LOCK, 3/8	16
24	YWLO16005	WASHER LOCK, 1/2	7
25	YWLO18005	WASHER LOCK, 9/16	8
26	YNHX08005	NUT HEX, 1/4	2
27	YNHX10005	NUT HEX, 5/16	4
28	YNHX12005	NUT HEX, 3/8	16
29	YNHX16005	NUT HEX, 1/2	7
30	YNHX18005	NUT HEX, 9/16	8
31	YNTL08005	NUT HEX, TOP LOCK, 1/4	2





FIGURE 4
EXPELLER / DISCHARGE GATE / DOOR

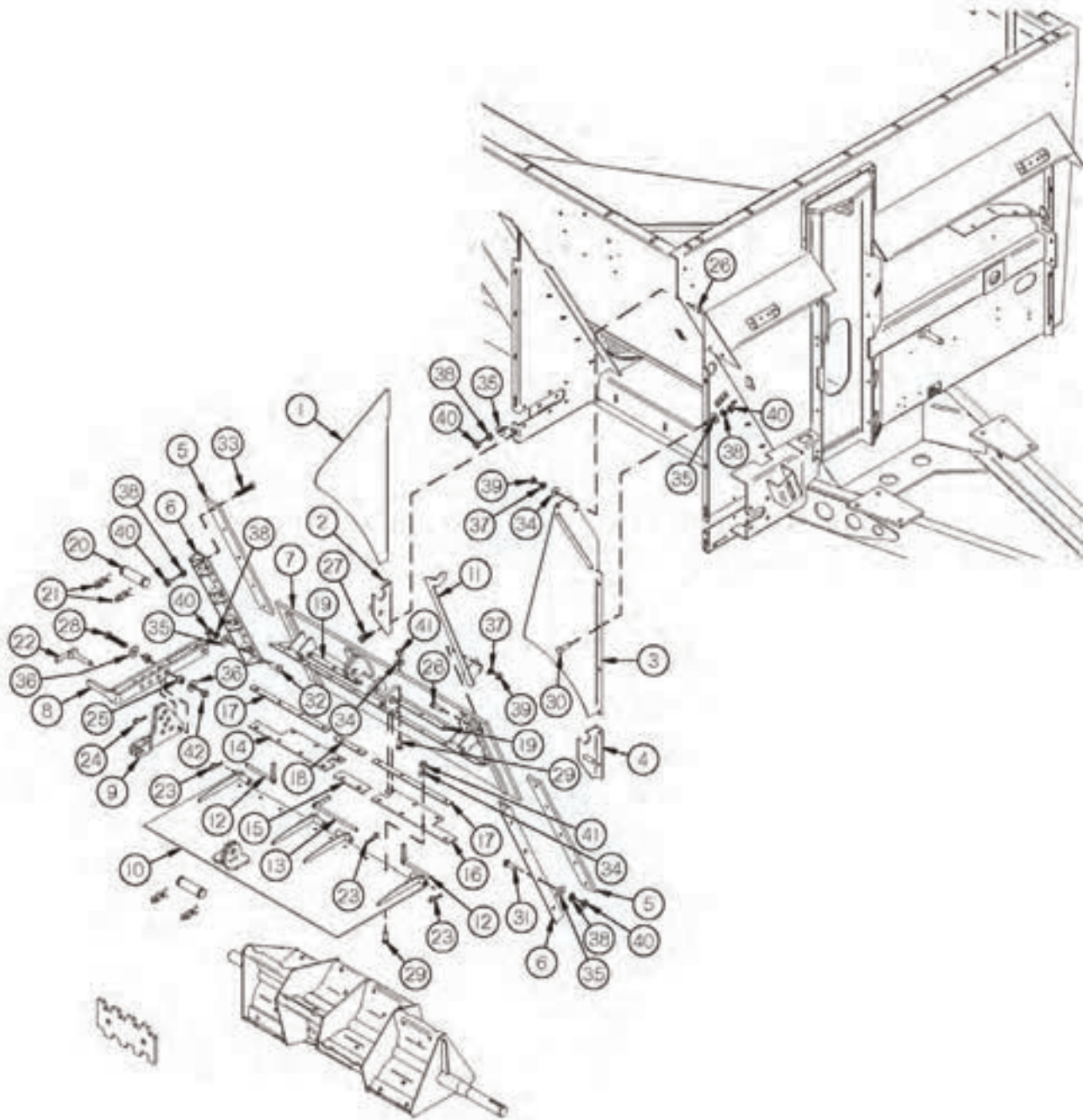




FIGURE 4

EXPELLER / DISCHARGE GATE / DOOR

REF #	PART #	DESCRIPTION	QTY
1	TS232	EXPELLER SPOUT LH	1
2	TS49	PAN HINGE BRACKET LH	1
3	TS233	EXPELLER SPOUT RH	1
4	TS51	PAN HINGE BRACKET RH	1
5	TS52	DOOR SLIDER POLY	2
6	TS53	EXPELLER DOOR GUIDE	2
7	84592	EXPELLER DOOR	1
8	TS55	DEFLECTOR ADJUSTMENT HANDLE	1
9	TS56	DEFLECTOR ADJUSTMENT LINK	1
10	84594	ADJUSTABLE FLAT DEFLECTOR	1
11	TS58	DOOR INDICATOR	1
12	TS59	DEFLECTOR SIDE PIN	2
13	TS60	DEFLECTOR MID PIN	1
14	TS61	DEFLECTOR SEAL LH	1
15	TS62	MID DEFLECTOR SEAL	1
16	TS63	DEFLECTOR SEAL RH	1
17	TS64	SEAL STRAP LONG	2
18	TS65	MID SEAL STRAP	1
19	TS66	SEAL STRAP SHORT	2
20	T143	CYLINDER PIN	2
21	T144	CLIP PIN	4
22	TS69	CASTER LOCKING PIN	1
23	X97	HAIR PIN	3
24	WM378	HAIR PIN W/LANYARD	1
25	TS307	HANDLE PIVOT	2
26	YBHH10105	BOLT HEX, 5/16 X 3/4 G5	5
27	YBHH12010	BOLT HEX, 3/8 X 1 G5	4
28	YBHH16105	BOLT HEX, 1/2 X 3 G5	1
29	YBCR10010	BOLT CARRIAGE, 5/16 X 1 G5	16
30	YBCR12010	BOLT CARRIAGE, 3/8 X 1 G5	8
31	YBCR12020	BOLT CARRIAGE, 3/8 X 1-1/4 G5	7
32	YBCR12015	BOLT CARRIAGE, 3/8 X 1-1/2 G5	1
33	YSFS12005	SCREW FLAT HEAD SOCKET CAP, 3/8 X 1-1/4	10
34	YWFL10005	WASHER FLAT, 5/16	19
35	YWFL12005	WASHER FLAT, 3/8	20
36	YWFL16005	WASHER FLAT, 1/2	2
37	YWLO10005	WASHER LOCK, 5/16	5
38	YWLO12005	WASHER LOCK, 3/8	30
39	YNHX10005	NUT HEX, 5/16	5





FIGURE 4
EXPELLER / DISCHARGE GATE / DOOR

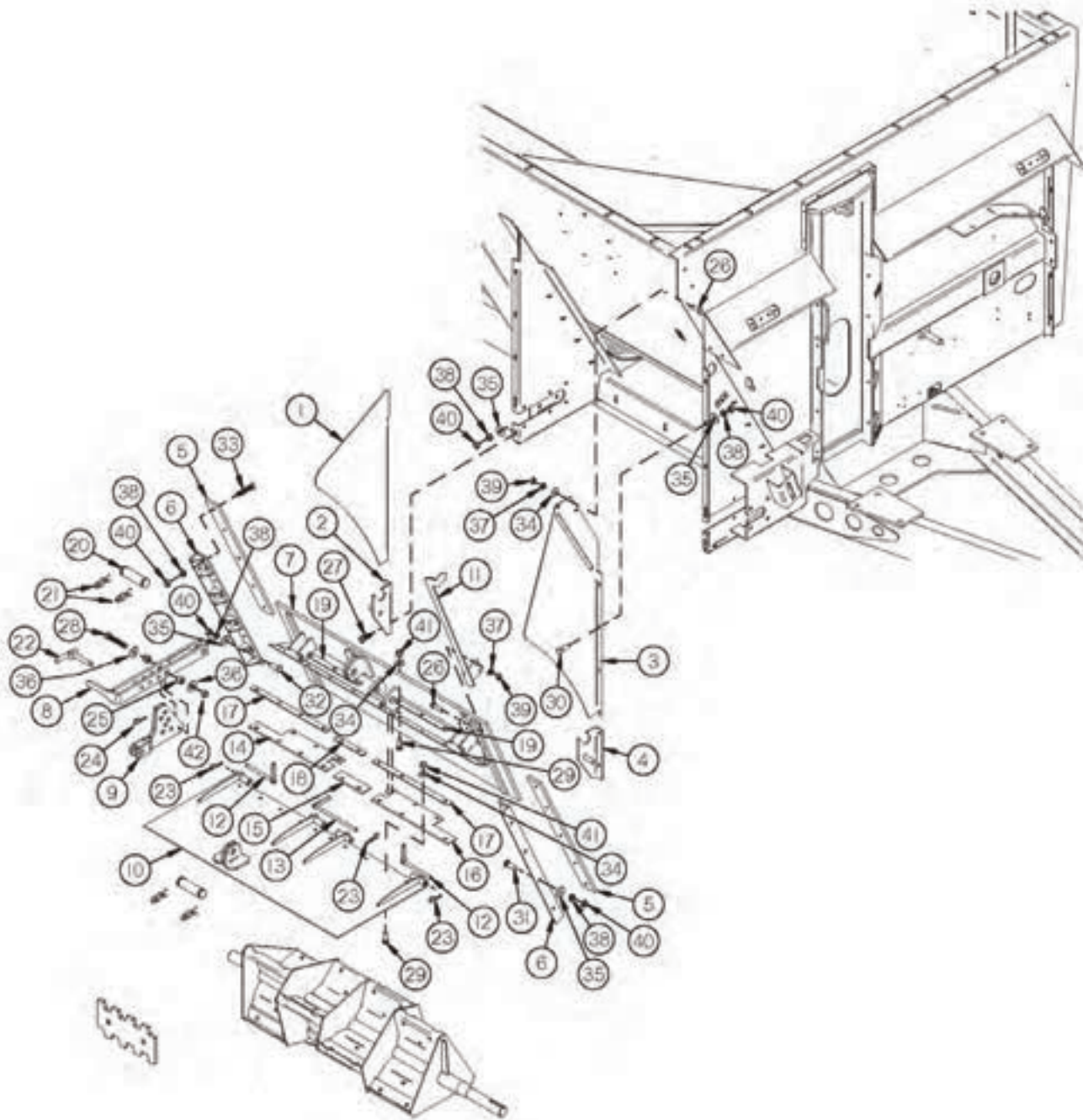




FIGURE 5
EXPELLER / DISCHARGE GATE / PAN

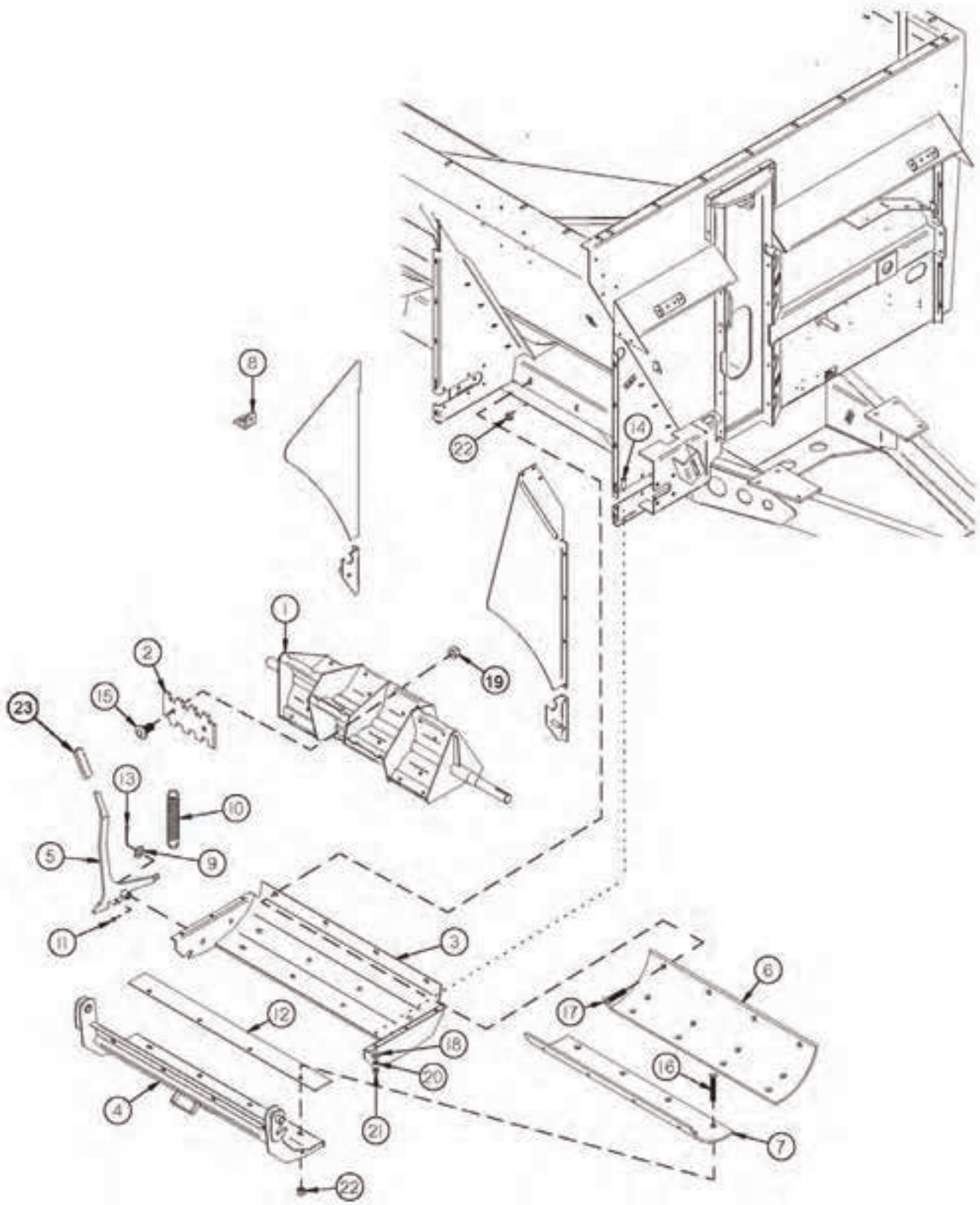




FIGURE 6

GUARDS / SHIELDS

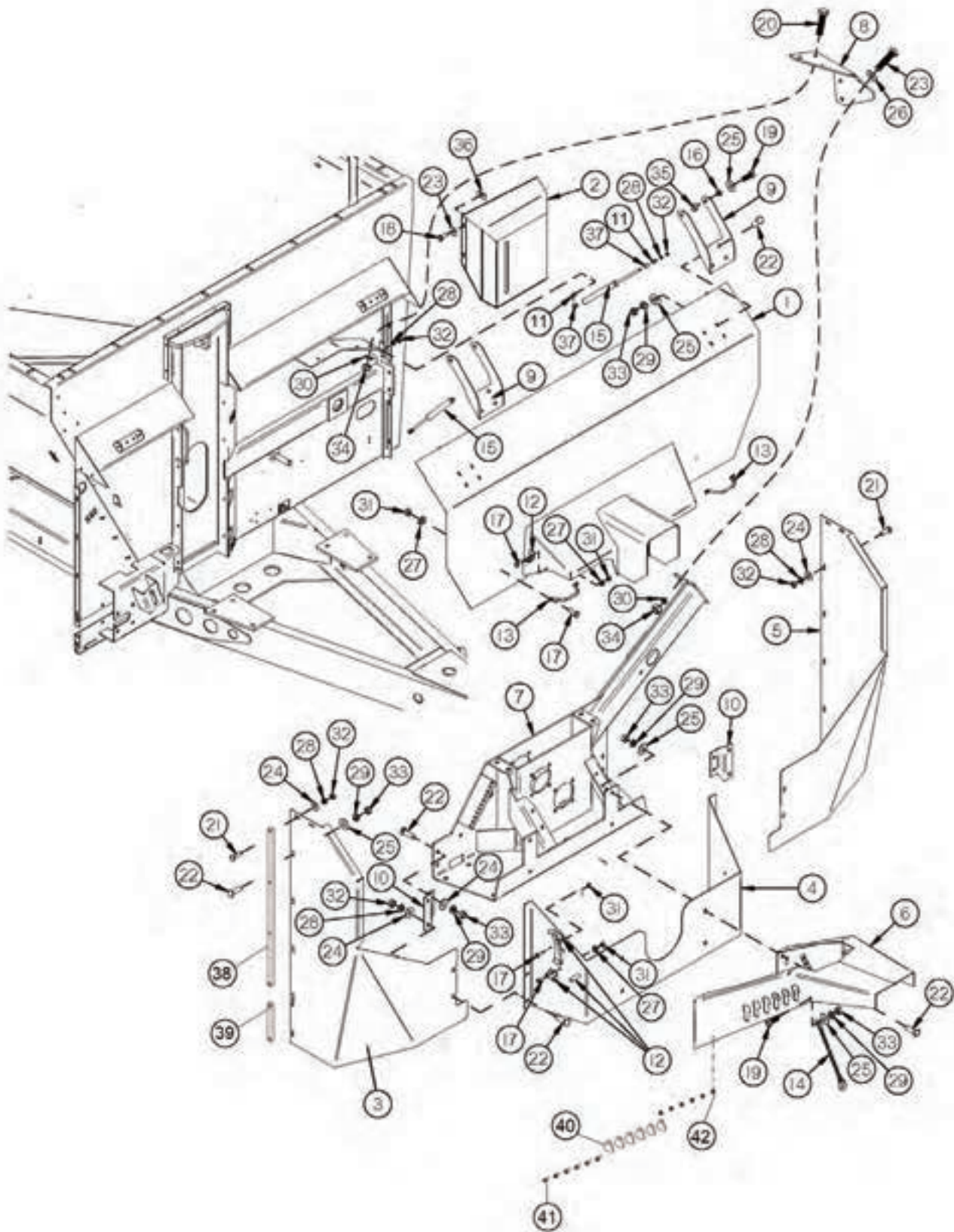




FIGURE 6

GUARDS / SHIELDS

REF #	PART #	DESCRIPTION	QTY
1	TS234	SHIELD FRONT	1
2	TS235	CYLINDER COVER FRONT	1
3	TS236	SHIELD FRONT RH	1
4	TS237	GEARBOX SHIELD	1
5	TS238	SHIELD FRONT LH	1
6	TS239	HOSE HOLDER	1
7	TS240	GEARBOX	1
8	TS241	JACKSHAFT BRACE	1
9	TS242	SHIELD HINGE	2
10	TS243	SHIELD MOUNT FRONT	2
11	TS382	BALL MOUNT, 10MM	4
12	X233	LATCH	2
13	TS96	SHIELD HANDLE	2
14	TS130	CHAIN PTO HOLDER	1
15	TS244	GAS STRUT	2
16	GM180	SPACER	4
17	YBHH08015	BOLT HEX, 1/4 X 1/2 G5	11
18	YBHH08100	BOLT HEX, 1/4 X 3/4 G5	4
19	YBHH12010	BOLT HEX, 3/8 X 1 G5	5
20	YBHH20010	BOLT HEX, 5/8 X 1-1/2 G5	8
21	YBCR10030	BOLT CARRIAGE, 5/16 X 3/4 G5	8
22	YBCR12010	BOLT CARRIAGE, 3/8 X 1 G5	24
23	YWFL08005	WASHER FLAT, 1/4	4
24	YWFL10005	WASHER FLAT, 5/16	8
25	YWFL12005	WASHER FLAT, 3/8	29
26	YWFL20005	WASHER FLAT, 5/8	3
27	YWLO08005	WASHER LOCK, 1/4	8
28	YWLO10005	WASHER LOCK, 5/16	14
29	YWLO12005	WASHER LOCK, 3/8	25
30	YWLO20005	WASHER LOCK, 5/8	8
31	YNHX08005	NUT HEX, 1/4	11
32	YNHX10005	NUT HEX, 5/16	14
33	YNHX12005	NUT HEX, 3/8	25
34	YNHX20005	NUT HEX, 5/8	8
35	YNTL12005	NUT HEX, TOP LOCK, 3/8	4
36	YNUN08005	NUT U, EXTRUDED, 1/4	4
37	TS383	BALL 10MM	4





FIGURE 6
GUARDS / SHIELDS

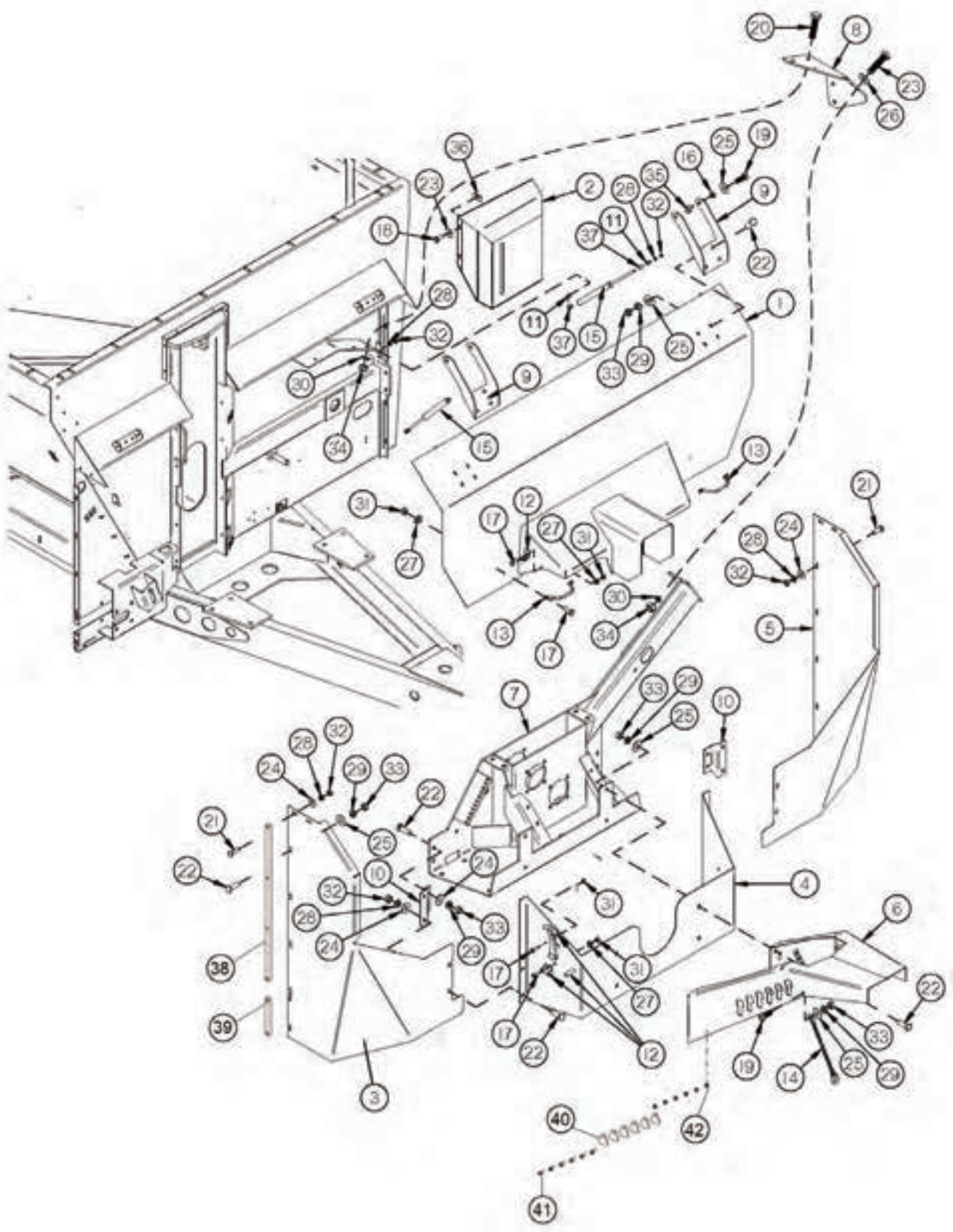




FIGURE 7
SPLASH GUARDS / RAILS

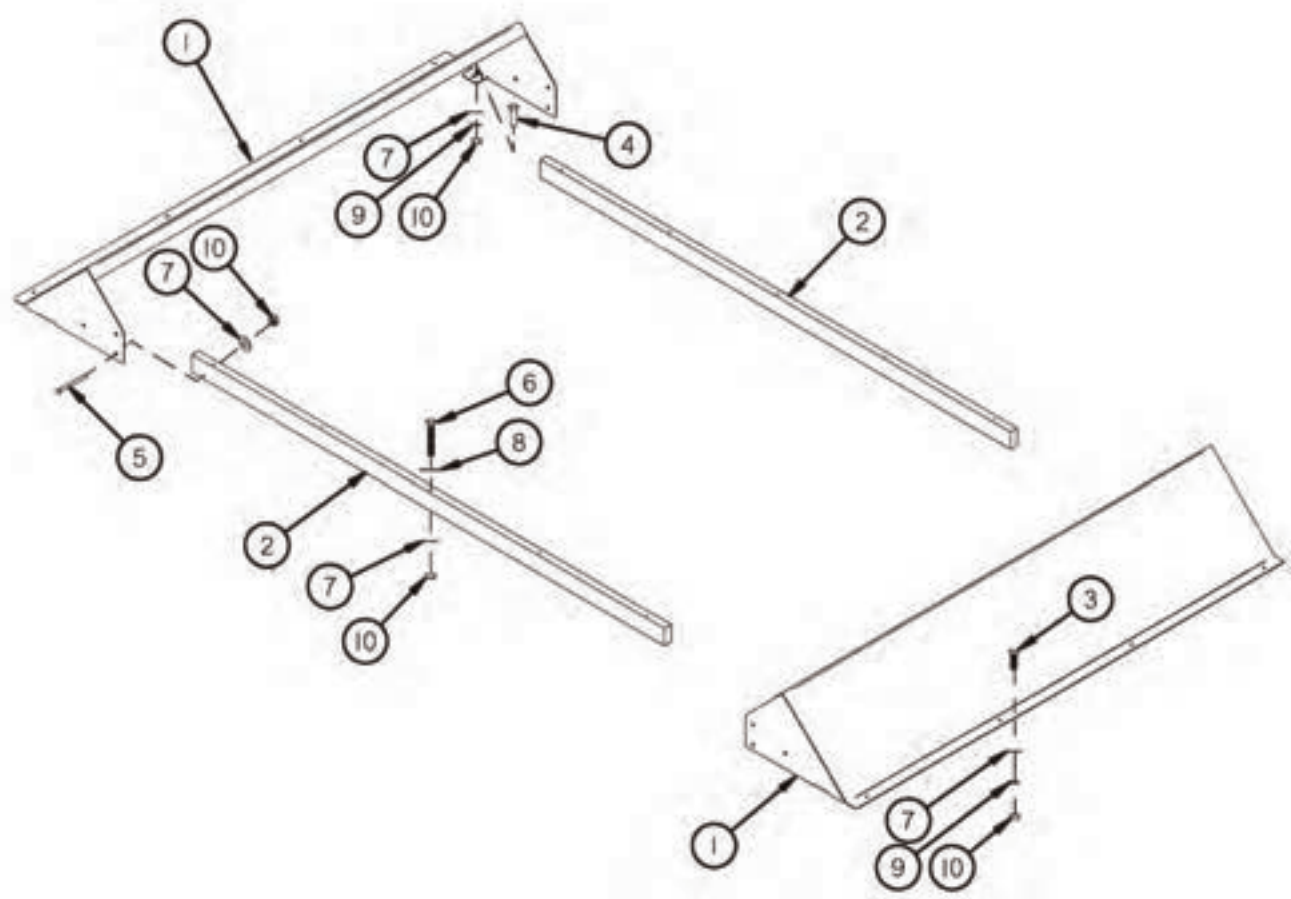




FIGURE 8
HYDRAULICS

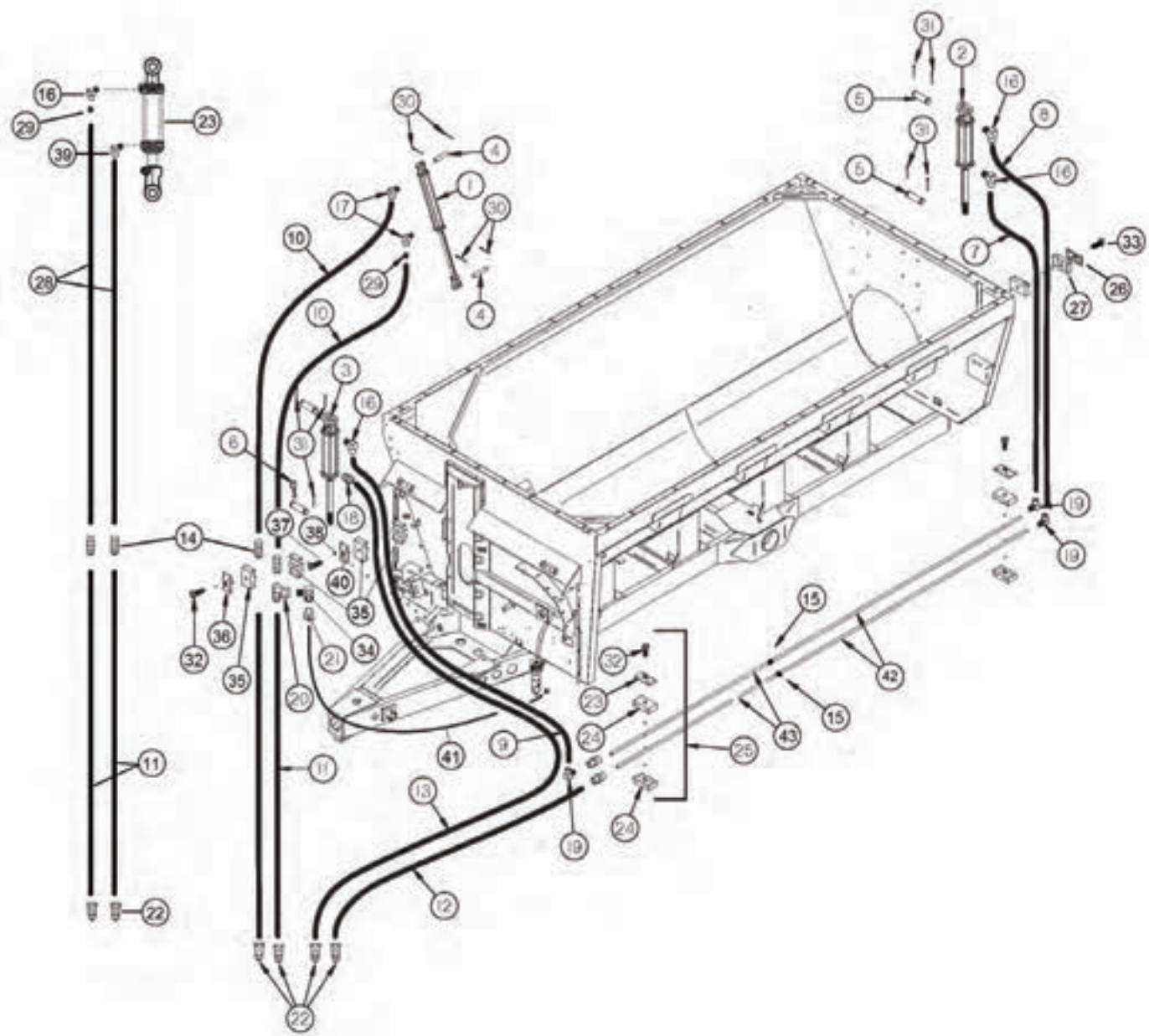


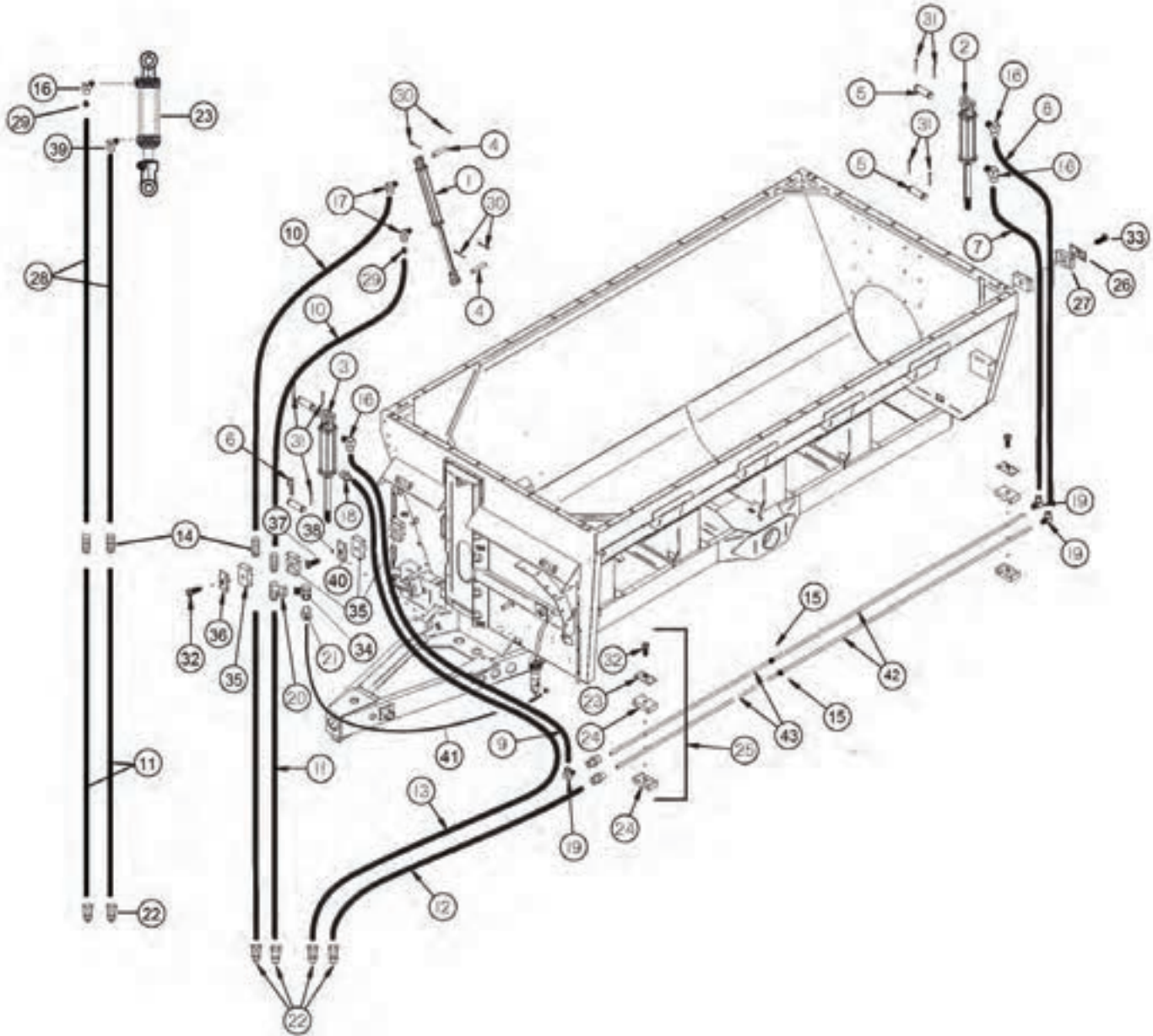


FIGURE 8

HYDRAULICS

REF #	PART #	DESCRIPTION	QTY
1	23N111A	CYLINDER, 2 X 16	1
2	TS105	CYLINDER, 3-1/4 X 8	1
3	TS104	CYLINDER, 3 X 8	1
4	LW55	CYLINDER PIN	2
5	T143	CYLINDER PIN	4
6	YPHR02010	HAIR PIN, #21-07	1
7	TS115	HYDRAULIC HOSE, 1/2 X 49	1
8	TS247	HYDRAULIC HOSE, 1/2 X 60	1
9	TS248	HYDRAULIC HOSE, 1/2 X 66	1
10	85430	HYDRAULIC HOSE, 6 X 125	2
11	85664	HYDRAULIC HOSE, 6 X 94	4
12	TS251	HYDRAULIC HOSE, 1/2 X 132	1
13	TS252	HYDRAULIC HOSE, 1/2 X 184	1
14	CHM258	UNION (6 HTX-S)	4
15	GM17	ADAPTER (8 HTX)	2
16	TS135	8 MALE O-RING TO -8 MALE JIC 90°	3
17	CHM164	FITTING, 90, 6JIC X 3/8NPT	4
18	TS137	8 MALE O-RING TO -8 MALE JIC	1
19	TFM83	8 FEMALE JIC SWIVEL TO -8 MALE JIC 90	3
20	CHM242	FITTING, TEE, 6JIC X 6JIC X 6JIC	1
21	73993	FITTING, ST,6JIC, 6NPTF, STL	1
22	DWM205	MALE QUICK COUPLER W/HYD TIP	6
23	70797	CYLINDER, HYDRAULIC, 10.2 X 14.2	3
24	TS118	LINE CLAMP BLOCK	6
25	TFM91	DOUBLE STEEL LINE CLAMP	3
26	56564	CLAMP TOP PLATE	6
27	56596	CLAMP CUSHION (SET OF 2)	6
28	85446	HYDRAULIC HOSE, 6 X127	2
29	58142	IN-LINE CONNECTOR, ORIFICE, 6-XHX7-S .031	2
30	YPCT05010	COTTER PIN, 5/32 X 1-1/2	4
31	YPCT06005	COTTER PIN, 3/16 X 1-1/2	7
32	56568	BOLT HEX 5/16 X 1-3/8 G5	10
33	56569	BOLT 5/16 X 1-3/4 G5	6
34	58127	FITTING 6 C6X-S	1
35	CHM278	CLAMP HALF 3/8" HOSE (SET OF 2)	10
36	56563	CLAMP TOP PLATE	11
37	56573	CLAMP STACKING BOLT	5
*	YBFB10300	BOLT FLANGE, 5/16 X 3 G5	1
38	YNFG10005	NUT FLANGE, 5/16-18, GF	1





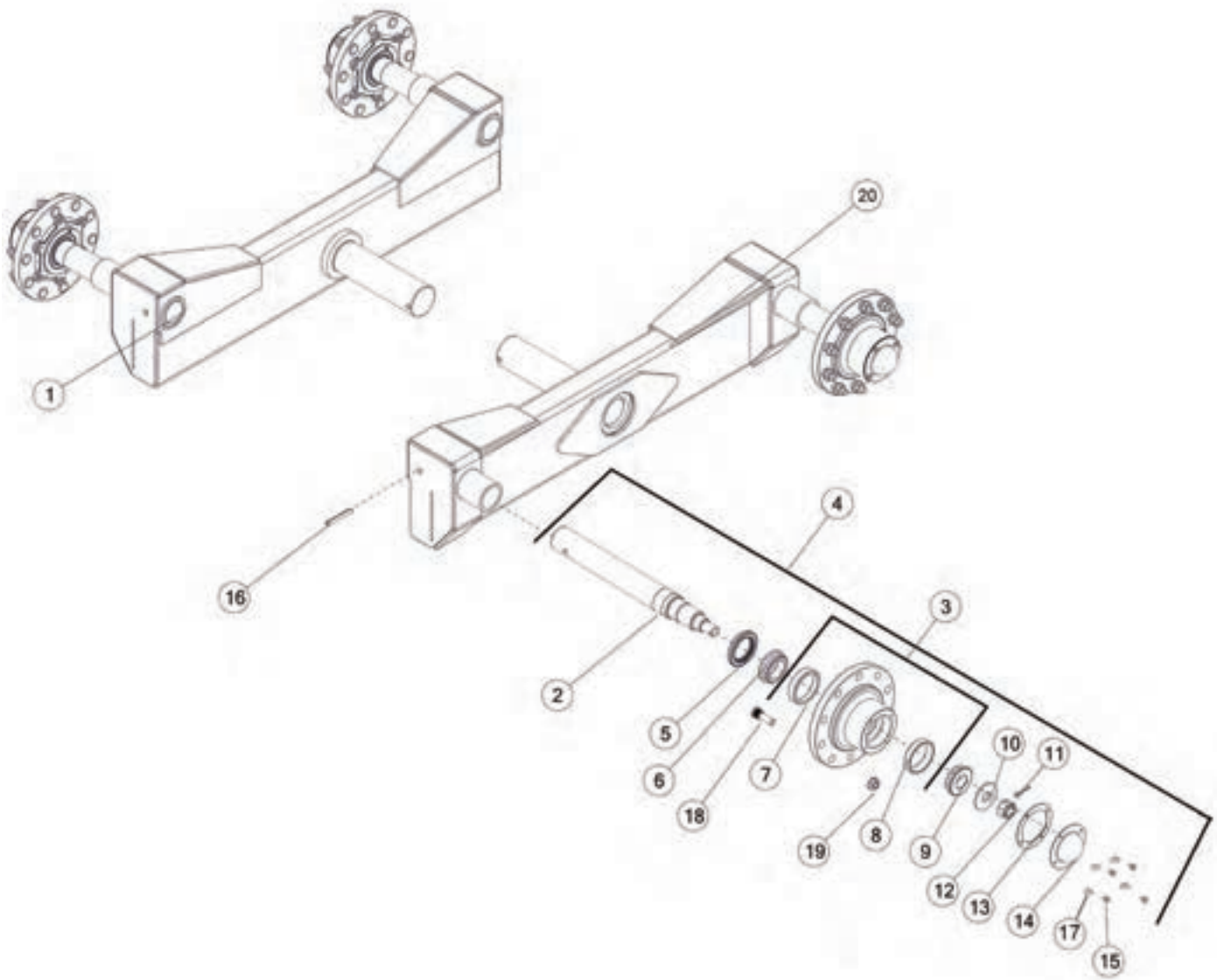




FIGURE 10
OPTIONAL TANDEM AXLES

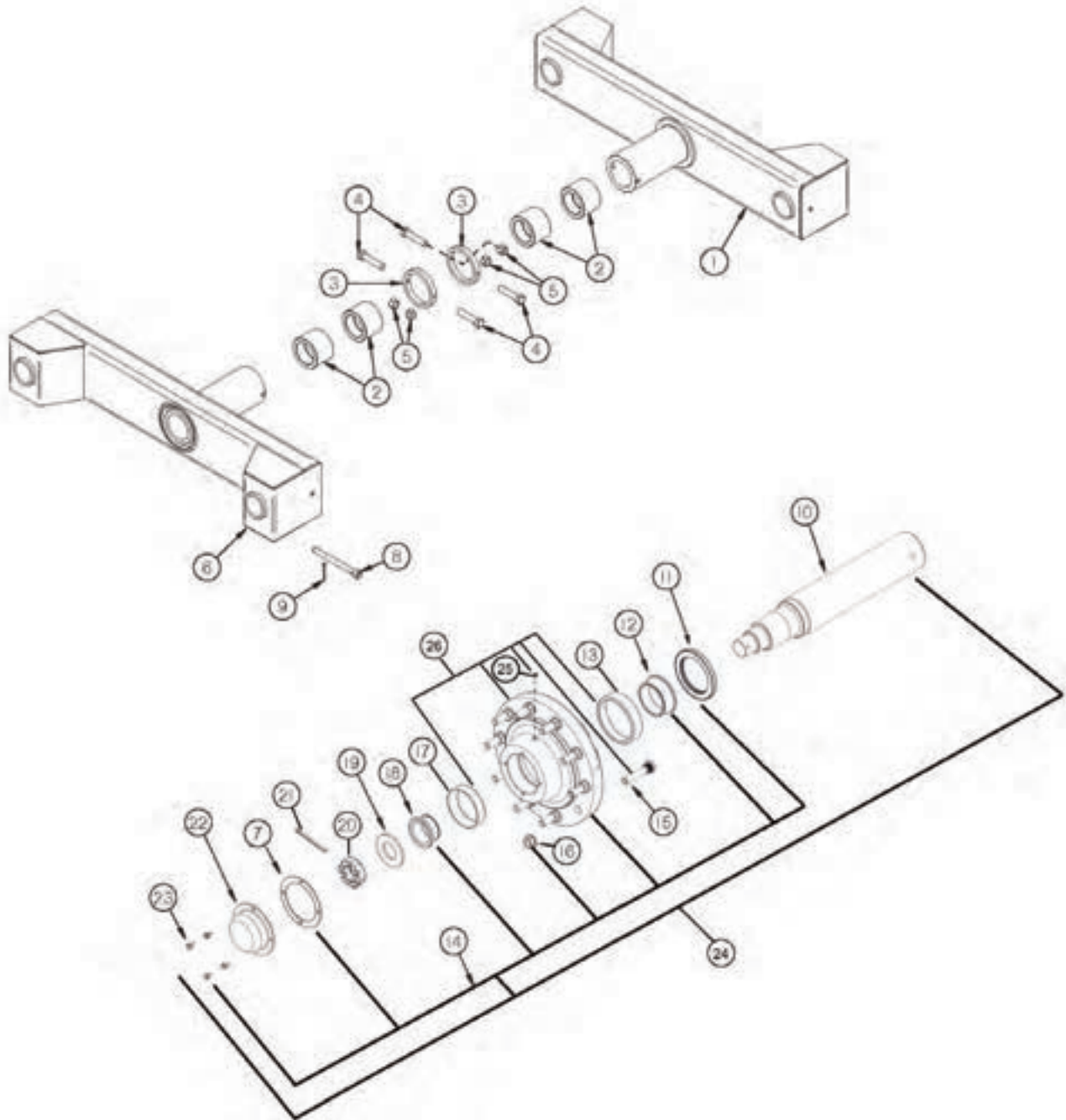




FIGURE 11
OILER KIT

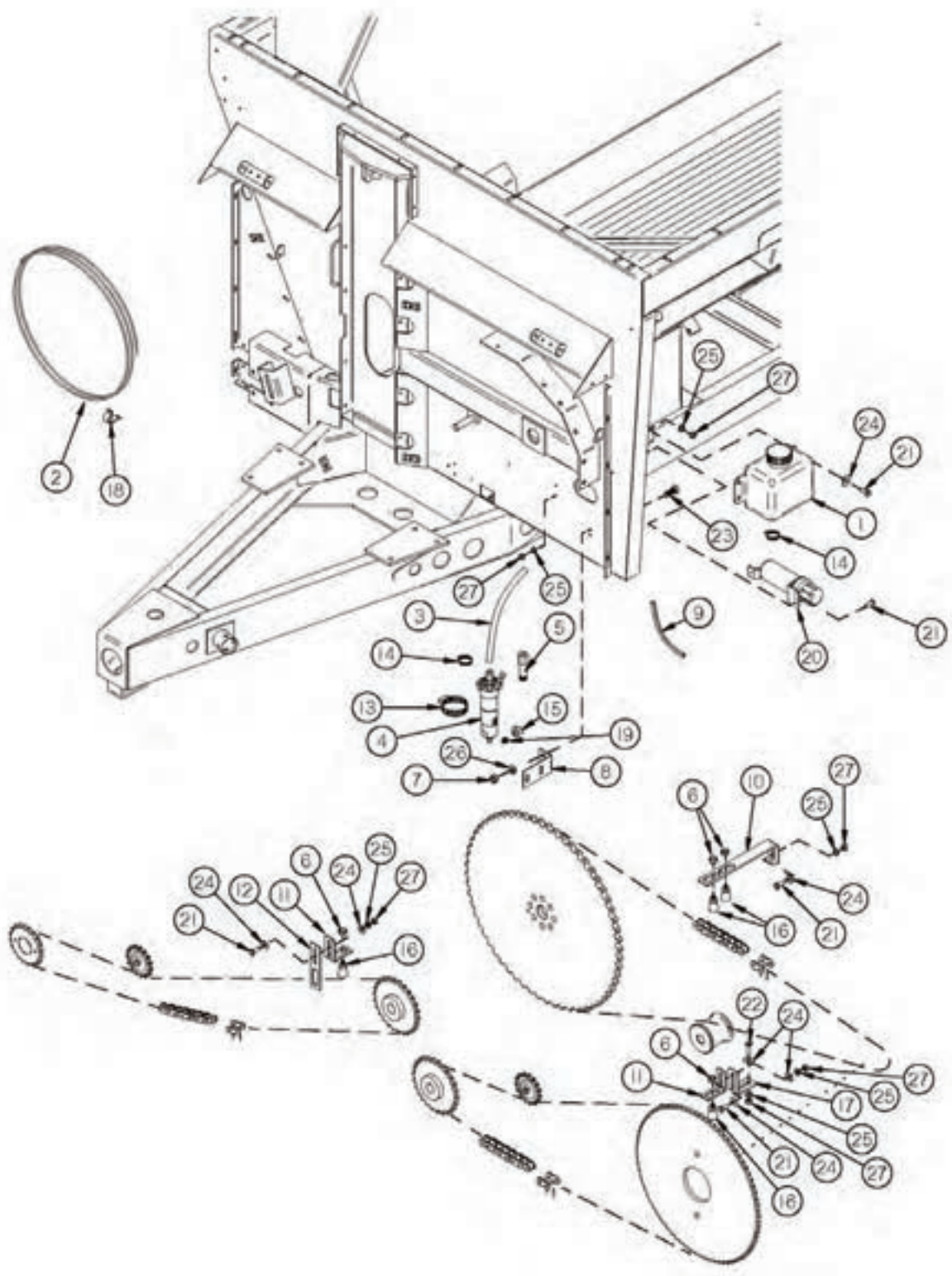


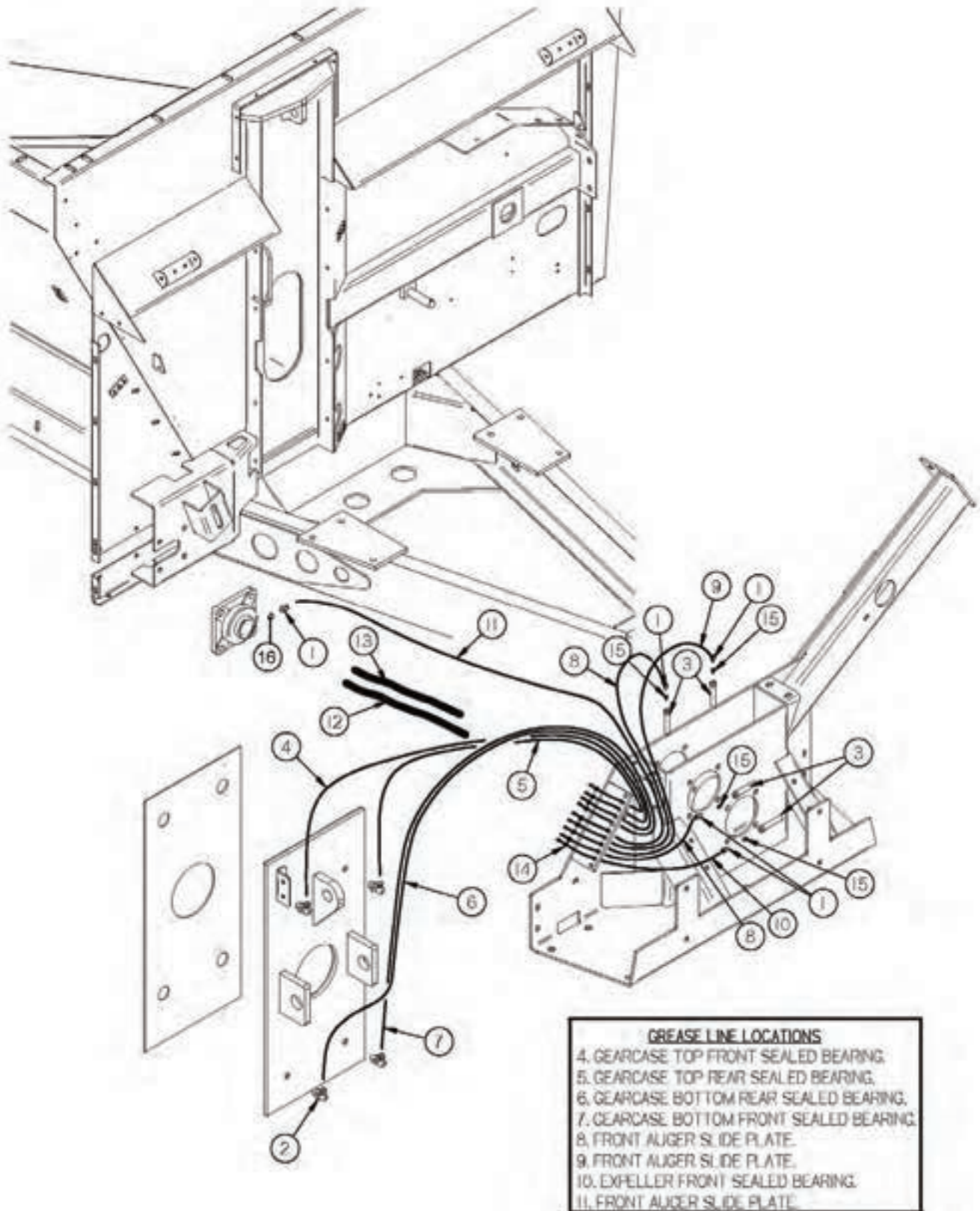


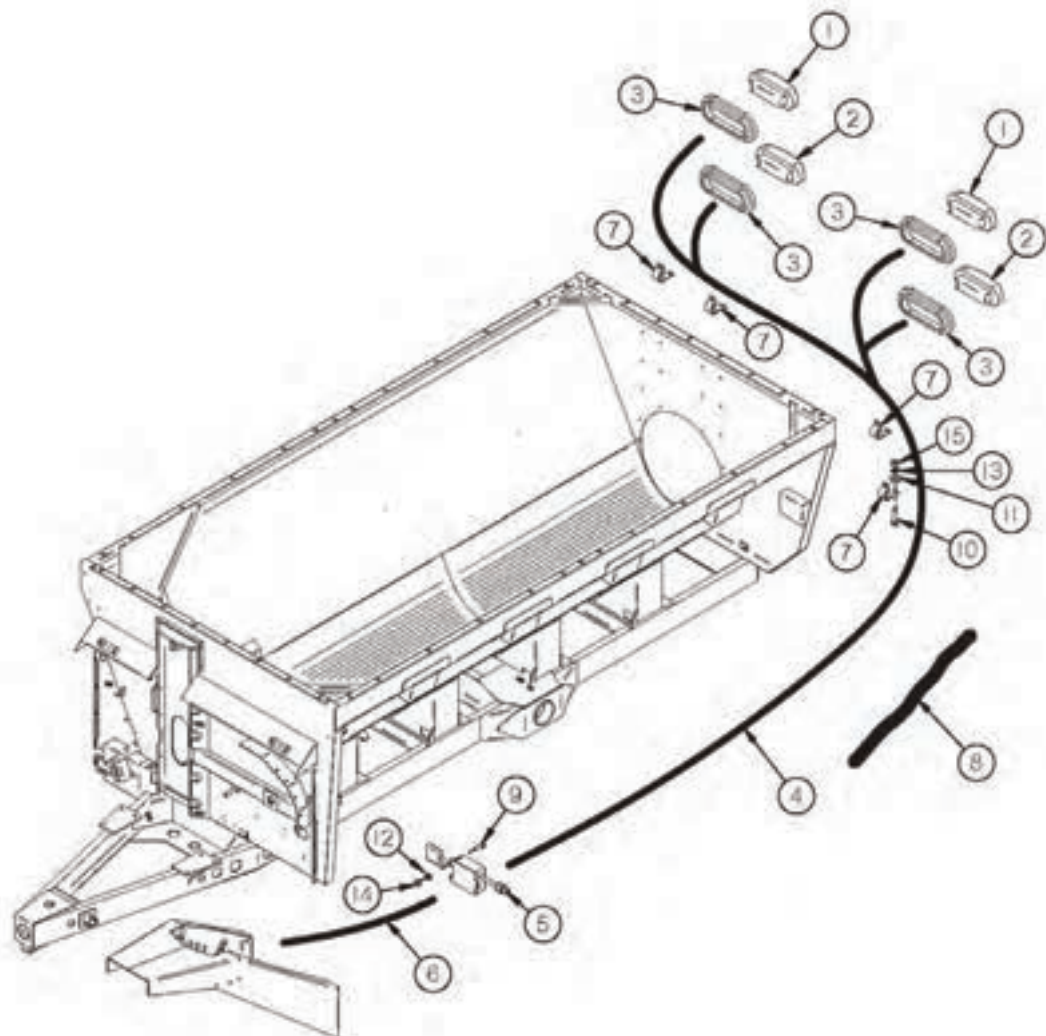
FIGURE 11

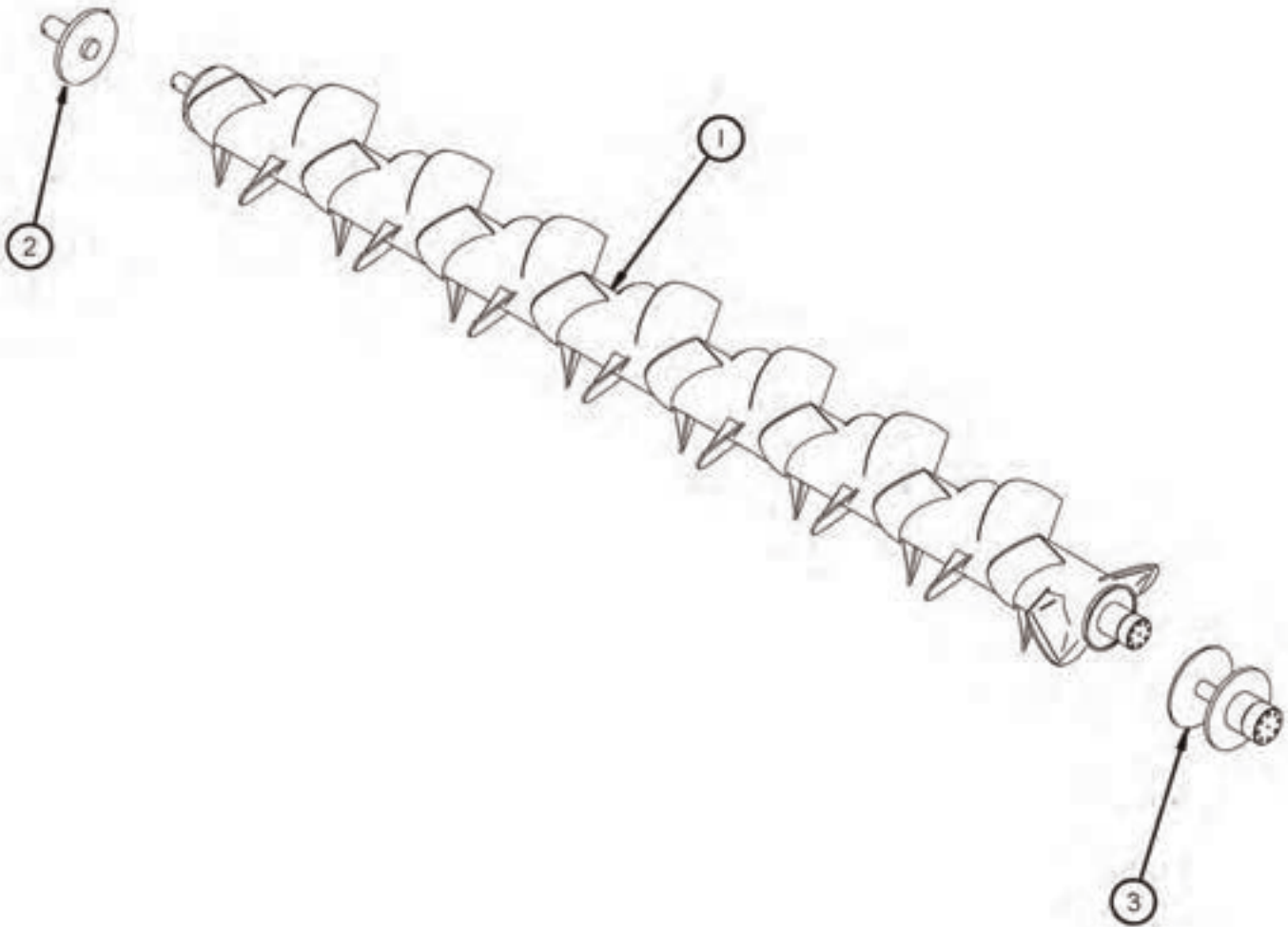
OILER KIT

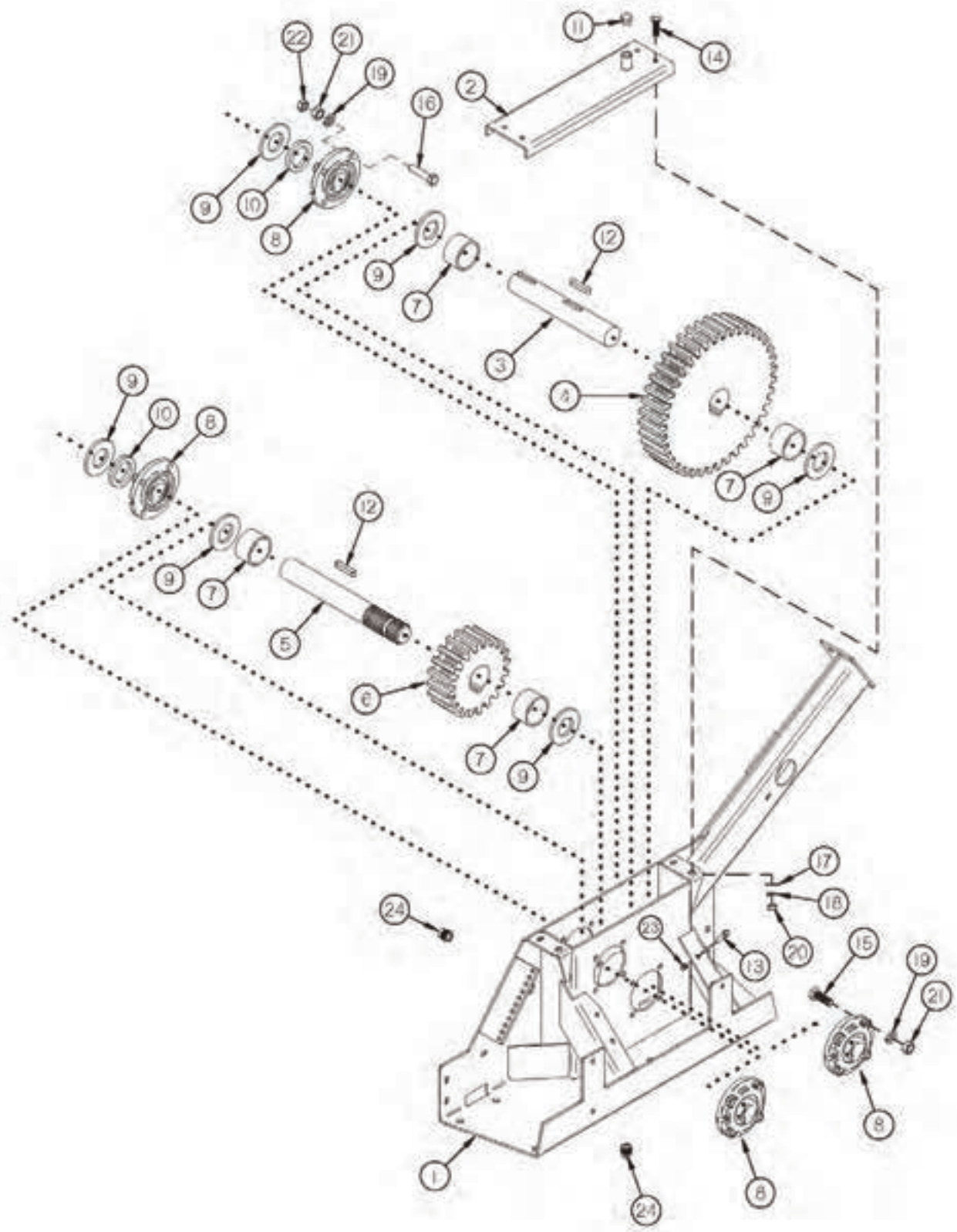
REF #	PART #	DESCRIPTION	QTY
1	HGV63	RESERVOIR	1
2	HGV71	OIL TUBE	1
3	HGV66	FILLER HOSE	1
4	HGV82	PUMP COMPLETE	1
5	HGV84	MANIFOLD	4
6	YNHX16005	HEX NUT, 1/2	4
7	YNHX12005	HEX NUT, 3/8	4
8	HGV68	PUMP MOUNT BRACKET	1
9	HGV77	EDGING	1
10	TS322	BRUSH BRACKET, EXTRA LONG	1
11	TS98	OILER BRUSH BRACKET, SINGLE	2
12	HGV70	BRACKET MOUNT	1
13	HGV74	HOSE CLAMP, 2	1
14	HGV75	HOSE CLAMP, 1	2
15	HGV65	O-RING/JIC ELBOW	1
16	HGV67	BRUSH	4
17	TS321	OILER HANGER 1	1
18	HGV162	RUBBER WIRE HOLDER, 1/2	2
*	TS269	RUBBER WIRE HOLDER, 1/4	2
*	YSHW08005	WASHER HEX, SCREW ROLLING, 1/4 X 3/8	2
19	TS198	ORIFICE, .015	1
20	S522	MANUAL HOLDER	1
21	YBHH08100	BOLT HEX, 1/4 X 3/4 G5	10
22	YBHH08010	BOLT HEX, 1/4 X 1 G5	1
23	YBHH12135	BOLT HEX, 3/8 X 3/4 G5	2
24	YWFL08005	WASHER FLAT, 1/4	10
25	YWLO08005	WASHER LOCK, 1/4	11
26	YWLO12005	WASHER LOCK, 3/8	2
27	YNHX08005	NUT HEX, 1/4	11

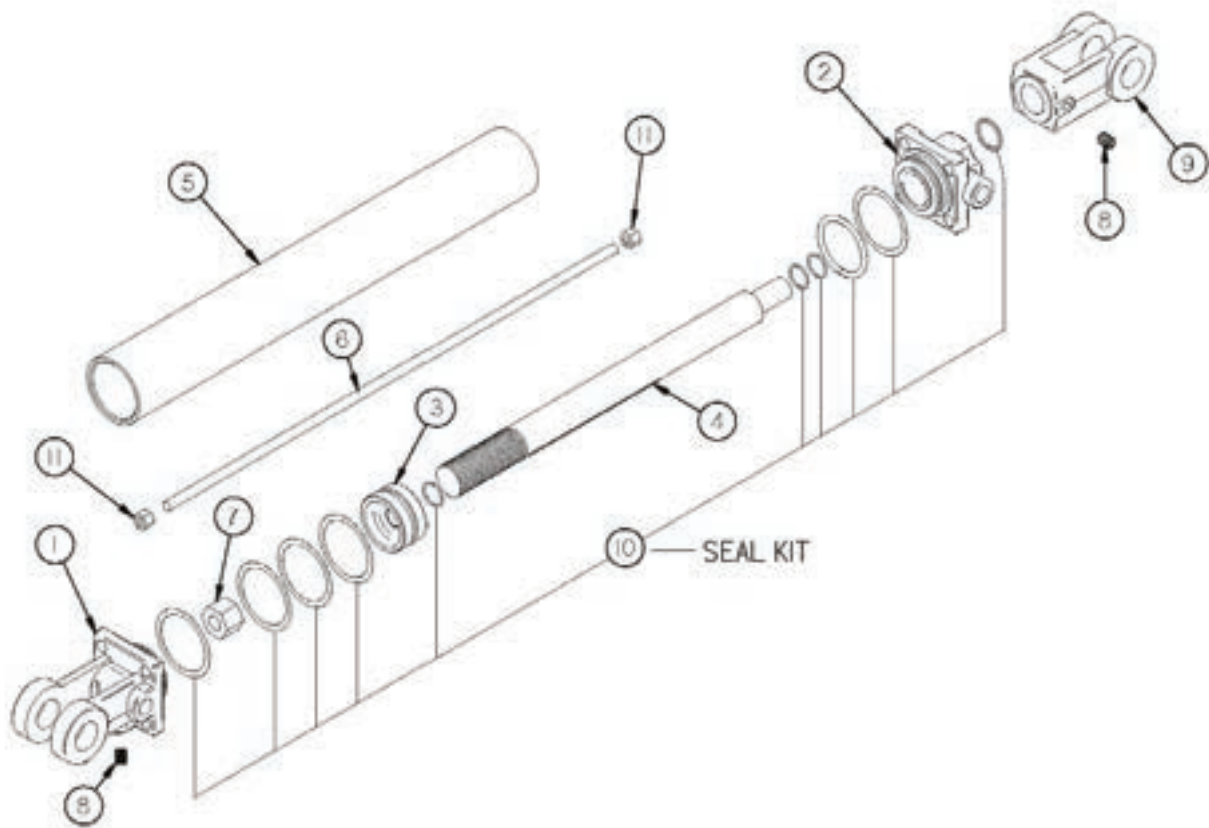


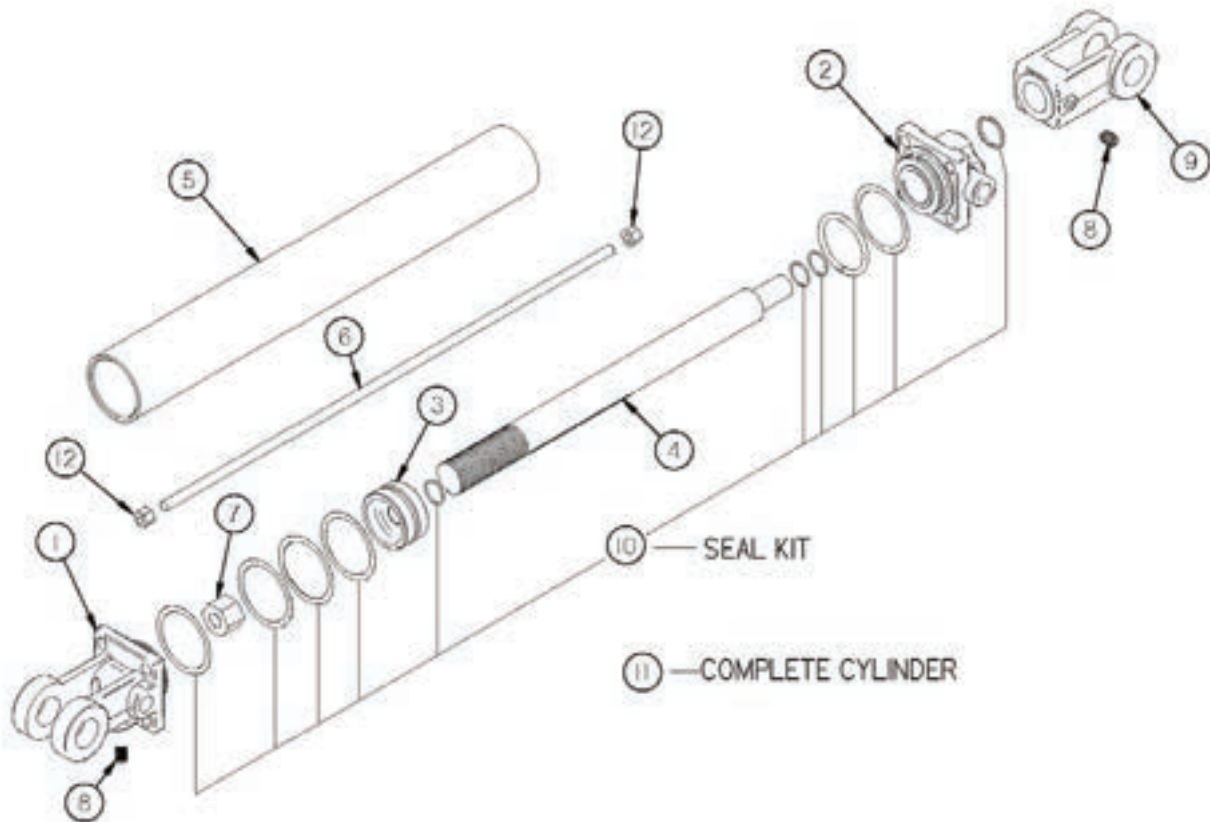


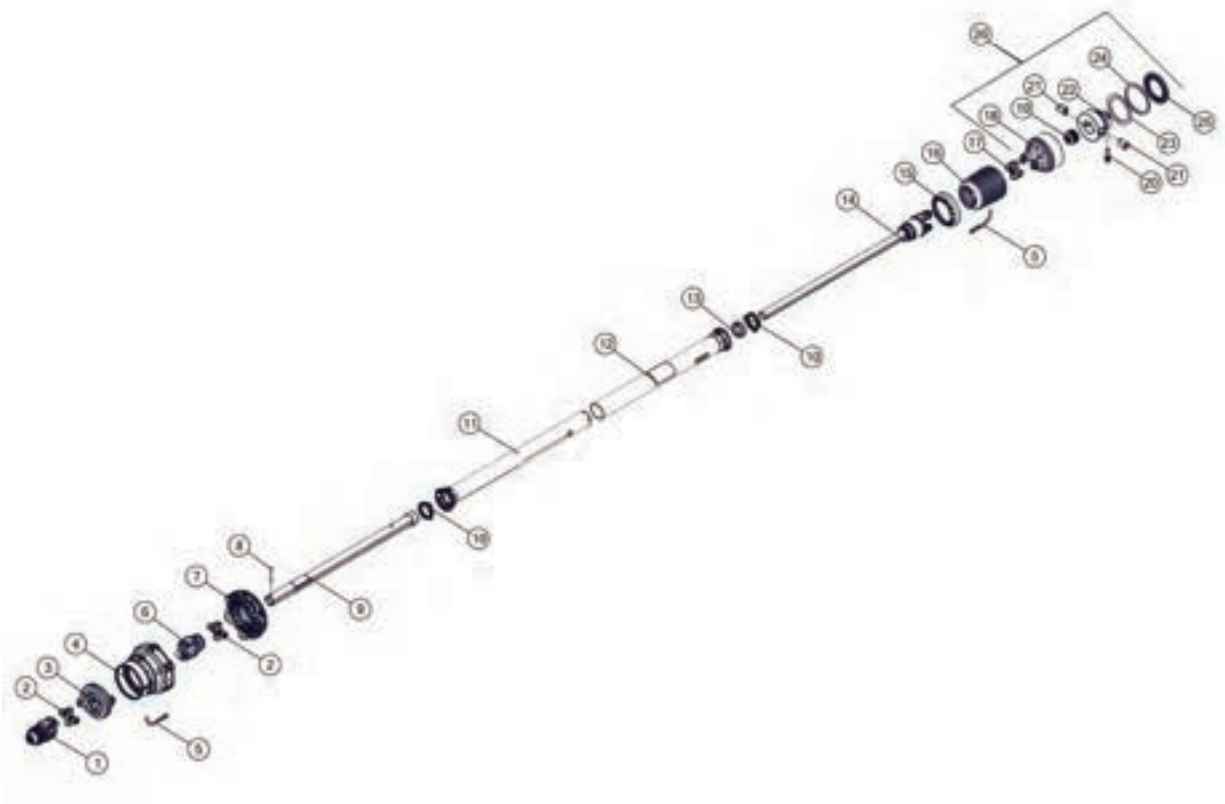












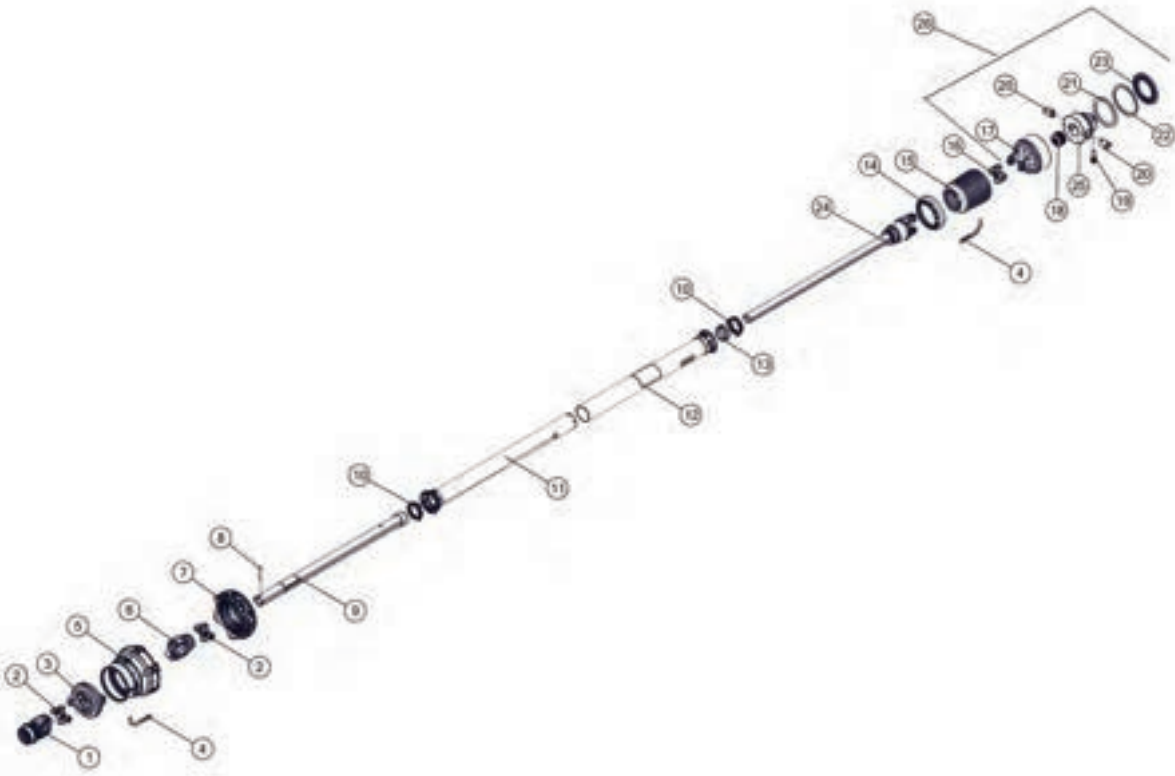




FIGURE 20
SCALE

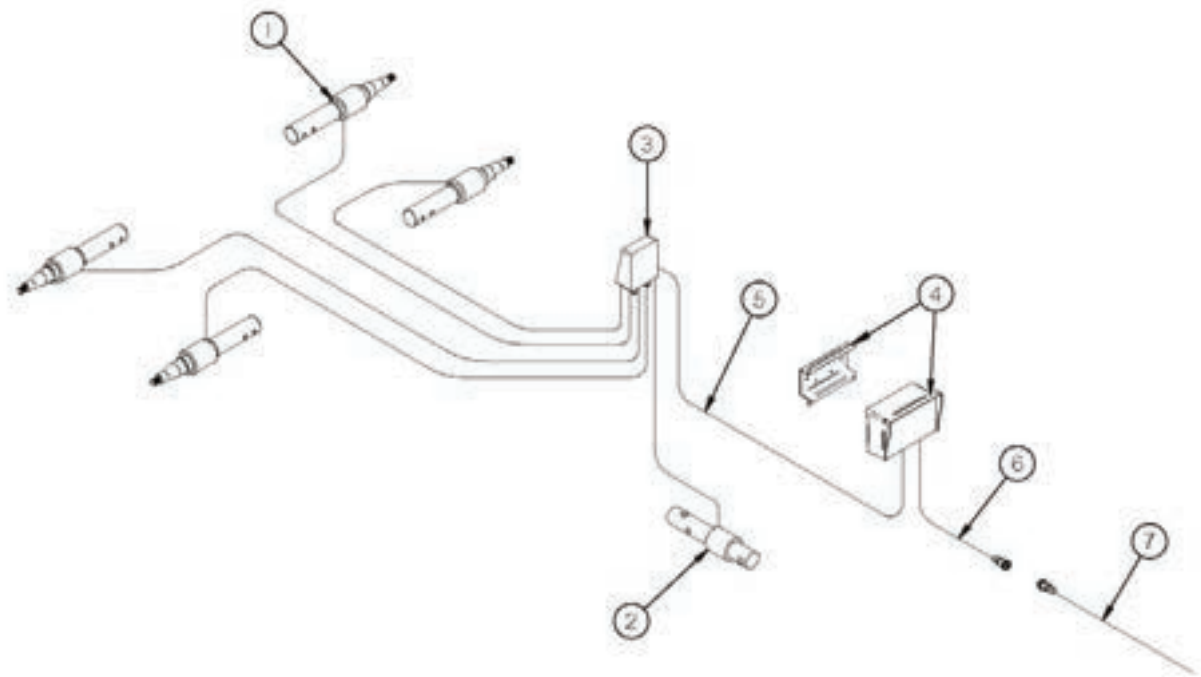




FIGURE 21 COVER COMPONENTS

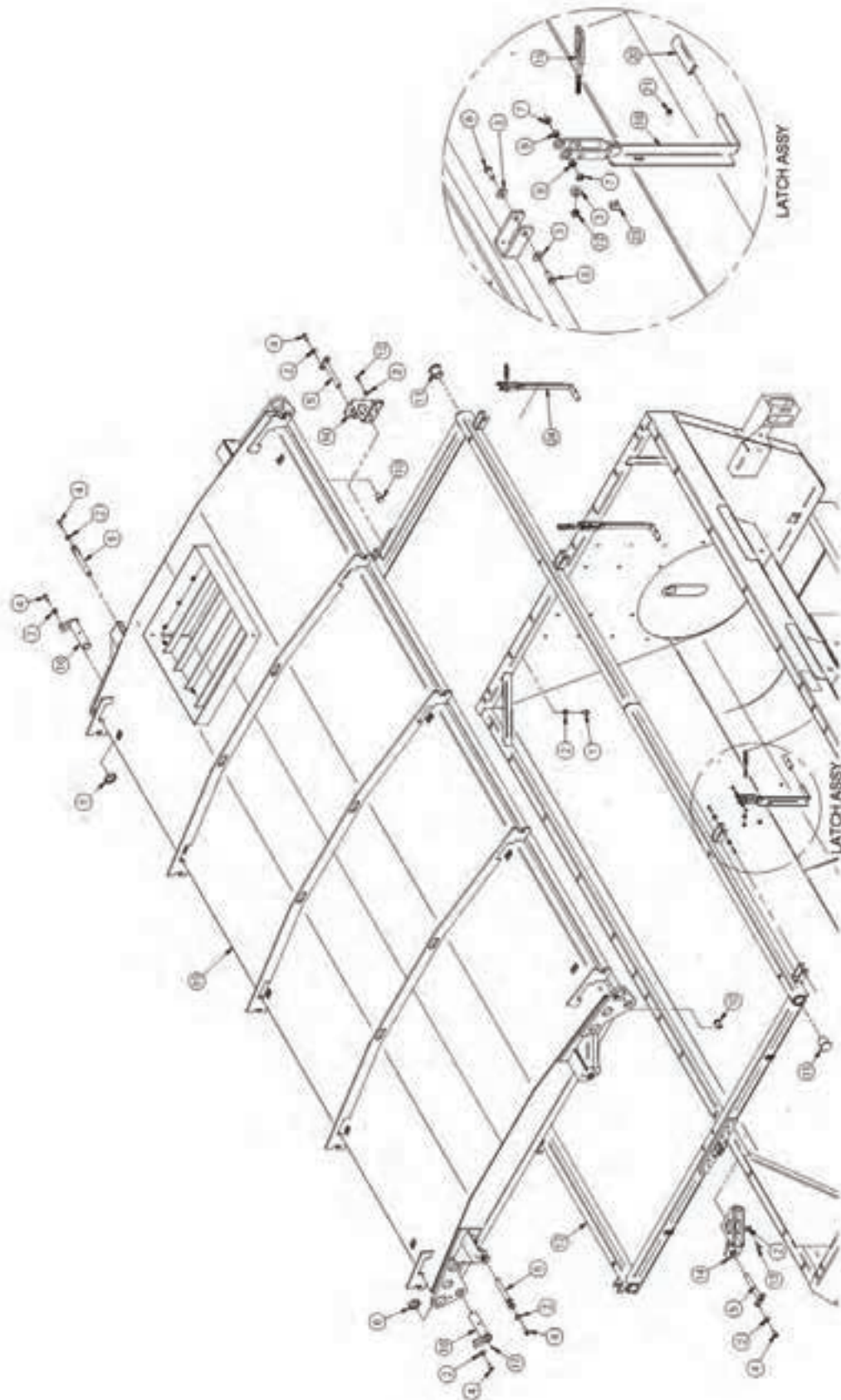




FIGURE 22

COVER HYDRAULICS

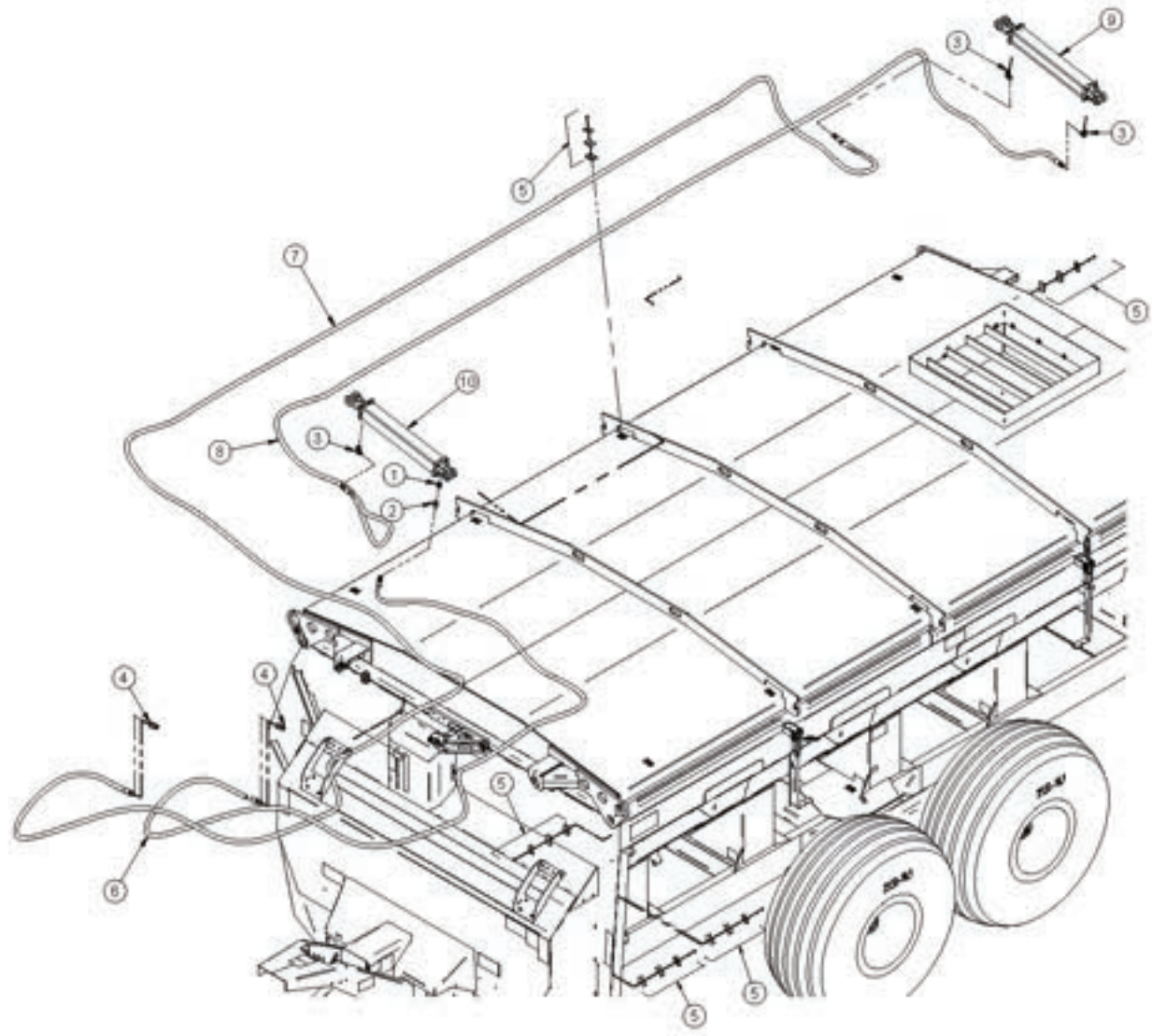




FIGURE 23
COVER SEAL

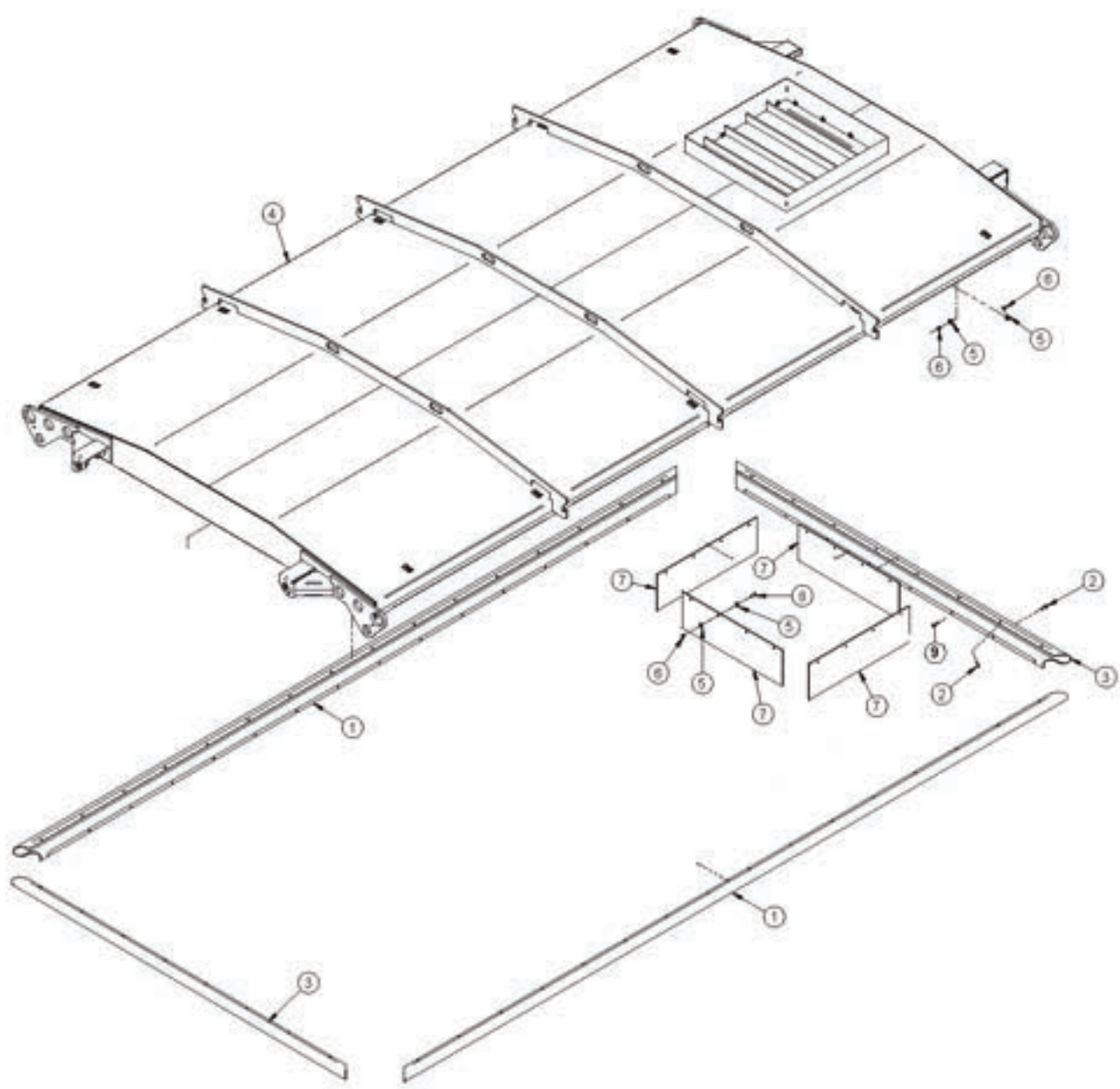




FIGURE 24

OPTIONAL TIRE & WHEEL





FIGURE 25

OPTIONAL TIRE & WHEEL - HEAVY AXLE





FIGURE 26 DISCHARGE DEFLECTOR HYDRAULIC

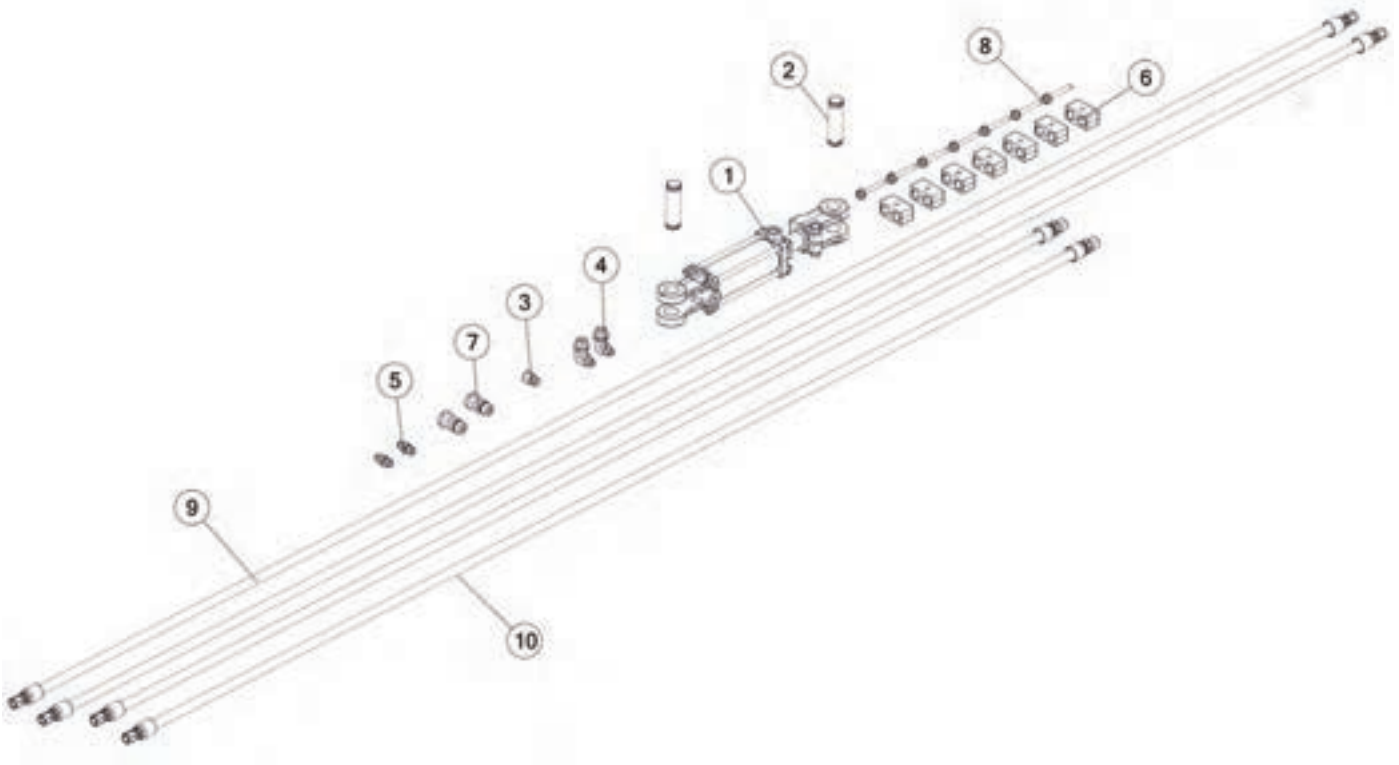
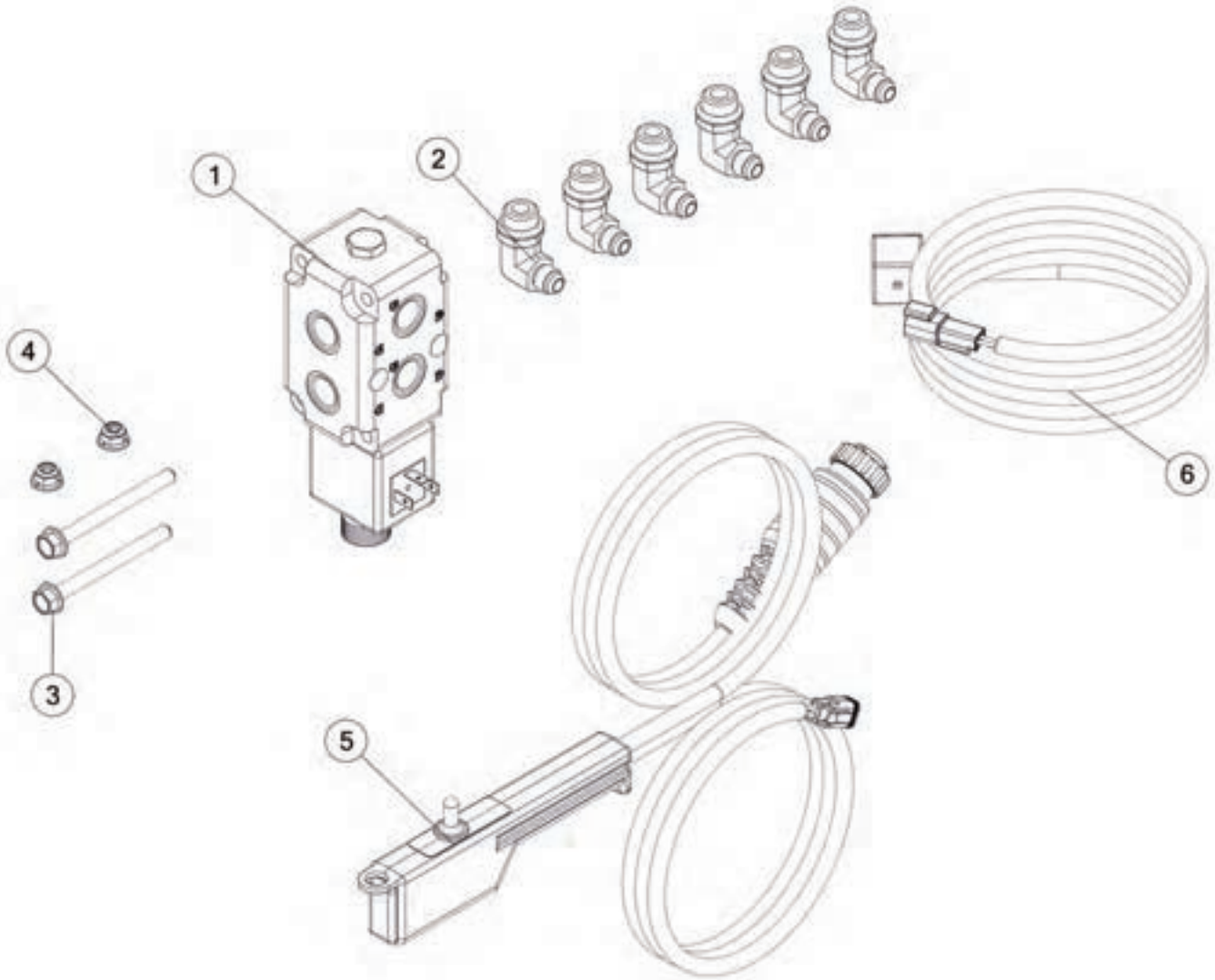




FIGURE 27

ELEC VALVE FOR DISCHARGE DEFLECTOR HYDRAULIC CYLINDER







Manufactured By:

H&S MANUFACTURING CO., INC.

2608 S. HUME AVE. MARSHFIELD, WI 54449
(715) 387-3414 | hsmfgco.com

