



# TS5242

## MANURE SPREADER

### PARTS BOOK

Part # 72857    HSMFG012623    Rev. #05    Starting Ser. #322TS42001

**STRONG HERITAGE - STRONG PEOPLE - STRONGER FUTURE**





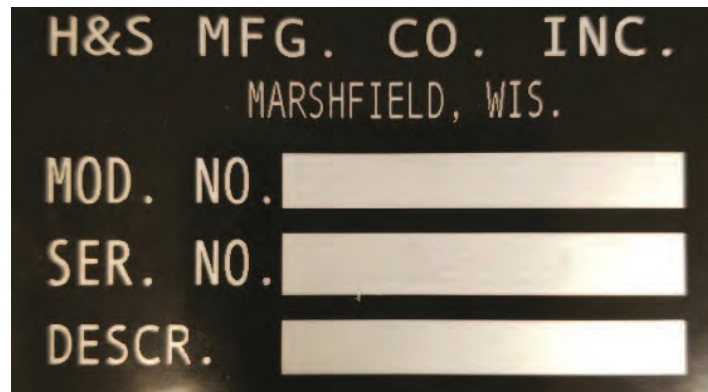
# INSTRUCTIONS FOR ORDERING PARTS

All service parts should be ordered through your authorized H&S dealer. Your Dealership will be able to give you faster service if you will provide them with the following:

1. All references to left or right apply to the machine as viewed from the rear.
2. Parts should not be ordered from illustration only. Please order complete part number.
3. If your dealer has to order parts - give shipping instructions:

VIA truck - large pieces (please specify local truck lines)

VIA United Parcel Service (include full address)



PLEASE RECORD NUMBERS FOR YOUR UNIT FOR QUICK REFERENCE

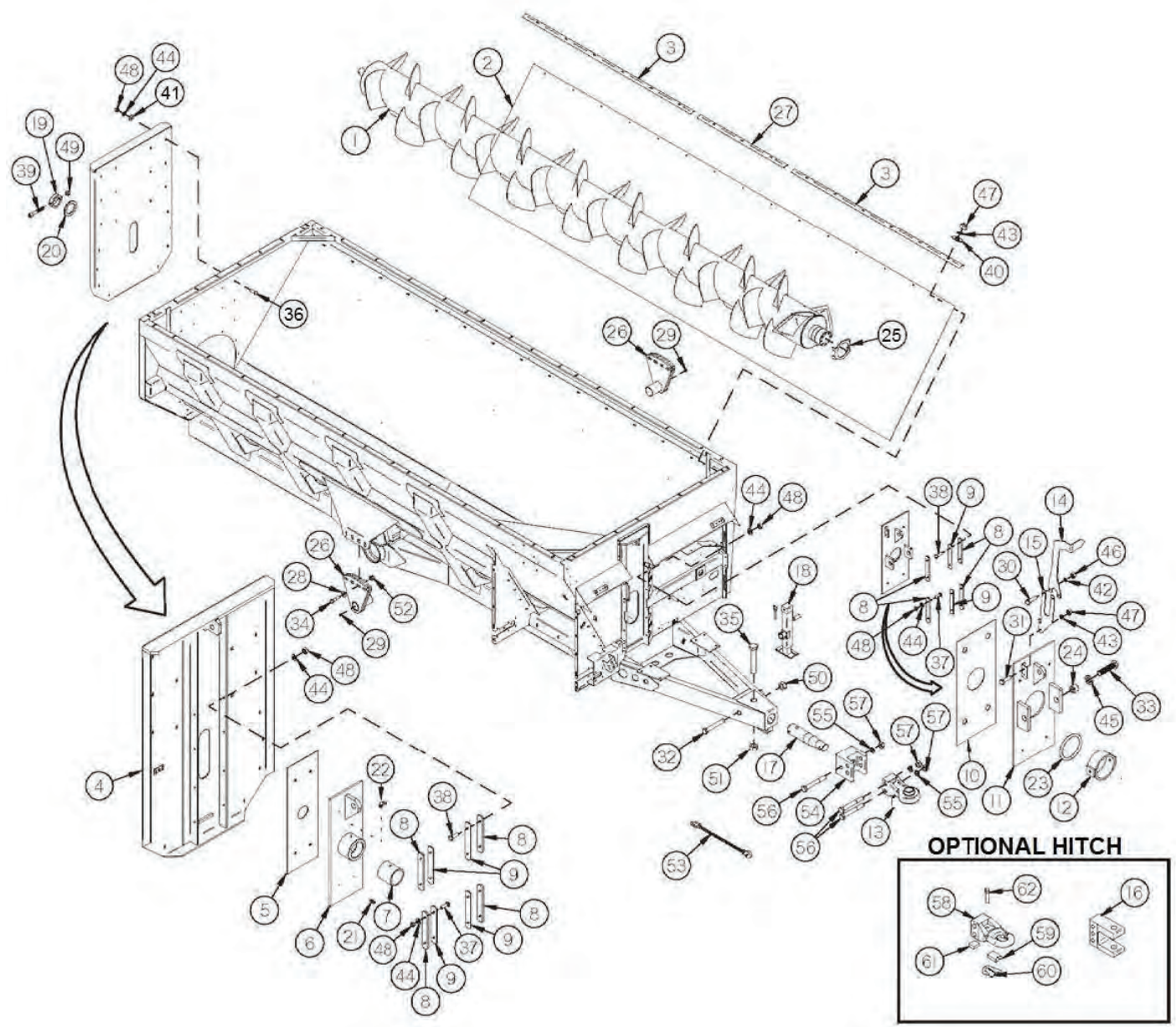
H&S IS CONTINUALLY STRIVING TO IMPROVE ITS PRODUCTS

We must, therefore, reserve the right to make improvements or changes whenever it becomes practical to do so, without incurring any obligation to make changes or additions to the equipment previously sold.





**FIGURE 1**  
**AUGER/LINER/SLIDES/HITCH**





# FIGURE 1

## AUGER/LINER/SLIDES/HITCH

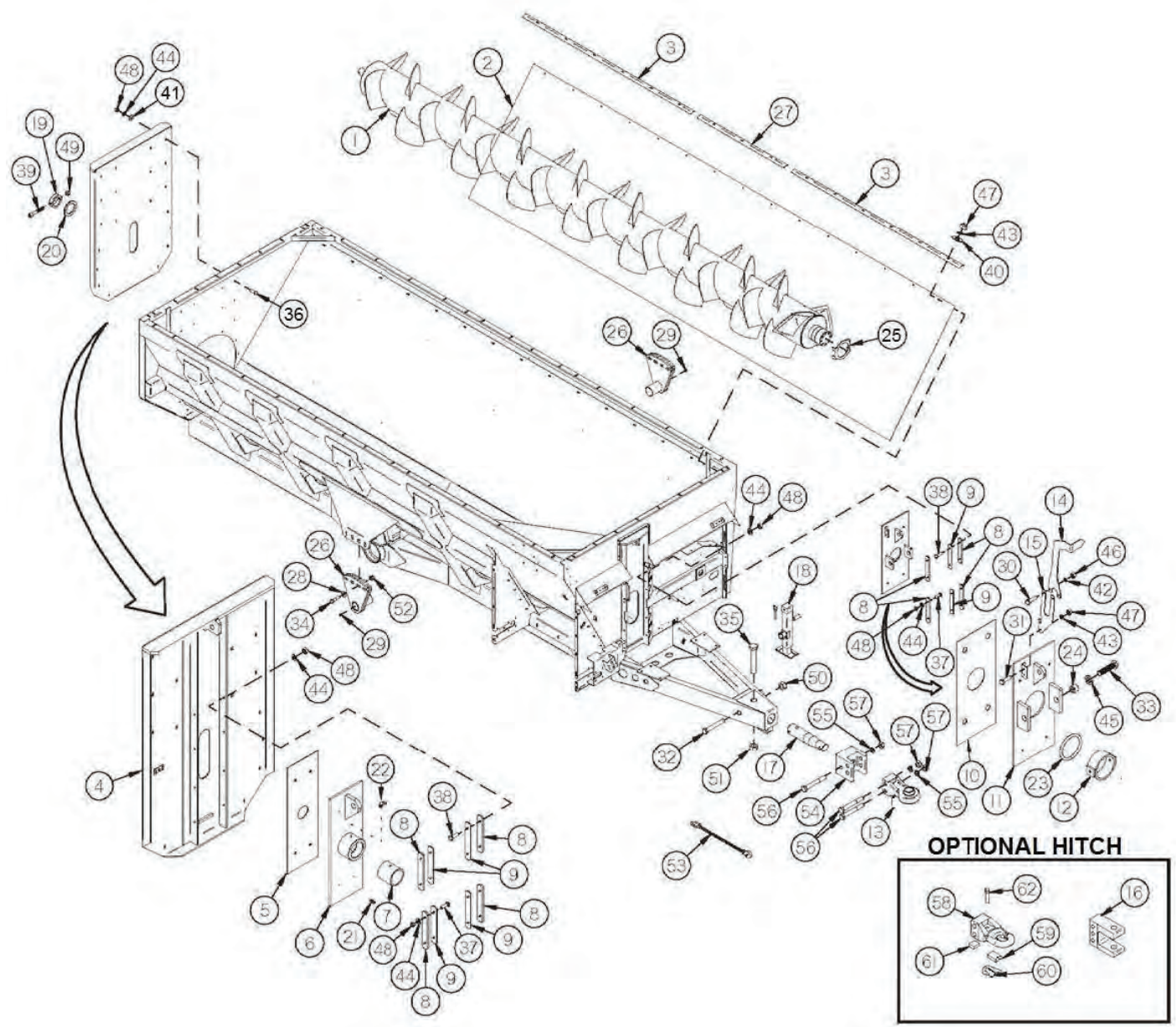
REF #	PART #	DESCRIPTION	QTY
1	APX4WE01	AUGER	1
2	APX4PL01	TUB SIDE POLY	1
3	TS4	POLY TOP HOLD DOWN	1
4	TS202	BACK PANEL	1
5	TS7	BACK SLIDER POLY	1
6	TS309	BACK SLIDER	1
7	TS9	REAR AUGER BUSHING	1
8	TS10	SLIDER GUIDE	8
9	TS308	SLIDER GUIDE THIN	6
10	TS203	FRONT POLY SLIDE	1
11	TS204	FRONT SLIDE PLATE	1
12	TS400	TRUNNION HOUSING W/BEARING	1
13	58290	ARTICULATING HITCH	1
14	TS207	AUGER INDICATOR TOP	1
15	TS208	AUGER INDICATOR BOTTOM	1
16	56310	TOP SHOT HEAVY CLEVIS	1
17	TS210	HITCH BAR STRAIGHT	1
18	TS306	JACK, SIDE WIND, 7000 LBS.	1
19	TS19	AUGER BACK COLLAR	1
20	TS227	SPACER 2-17/32 (THICK)	A/R
*	TS28	SPACER 2-17/32 (THIN)	A/R
21	G89	GREASE ZERK 1/4	4
22	RG51	GREASE ZERK 90 DEGREE	1
23	TS229	RUBBER RING, 6	1
24	TS230	BUSHING, 3/4 X 7/8	3
25	TS320	WEAR PLATE 6 INCH	1
26	APX4WE02	AXLE SUPPORT OUTER	2
27	APX410G03	POLY TOP HOLD DOWN	1
28	YWFL32005	WASHER FLAT, 1 SAE	8
29	BFR28	GREASE ZERK, 1/8	2
30	YBHH08100	BOLT HEX, 1/4 X 3/4 G5	2
31	YBHH10105	BOLT HEX, 5/16 X 3/4 G5	2
32	YBHH20101	BOLT HEX, 5/8 X 6 G8	1
33	YBHH24018	BOLT HEX, 3/4-10 X 2 G8	2
34	YBHH32018	BOLT HEX, 1-8 X 4 G8	8
35	YBHH32026	BOLT HEX, 1 X 6 G8	1
36	YBCR12010	BOLT CARRIAGE, 3/8 X 1 G5	20
37	YBCR12020	BOLT CARRIAGE, 3/8 X 1-1/4 G5	8
38	YBCR12015	BOLT CARRIAGE, 3/8 X 1-1/2 G5	8



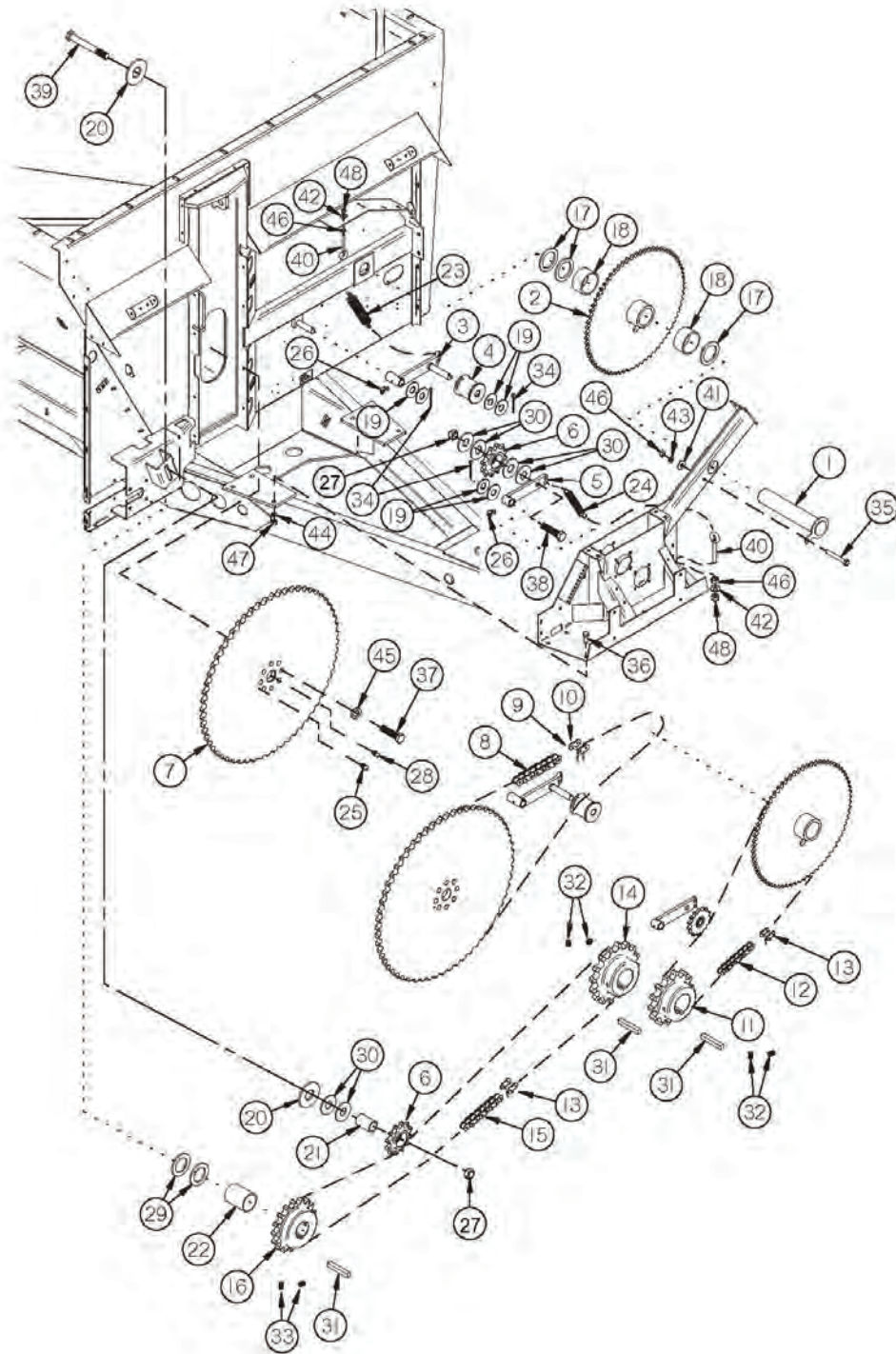




**FIGURE 1**  
**AUGER/LINER/SLIDES/HITCH**











# FIGURE 2

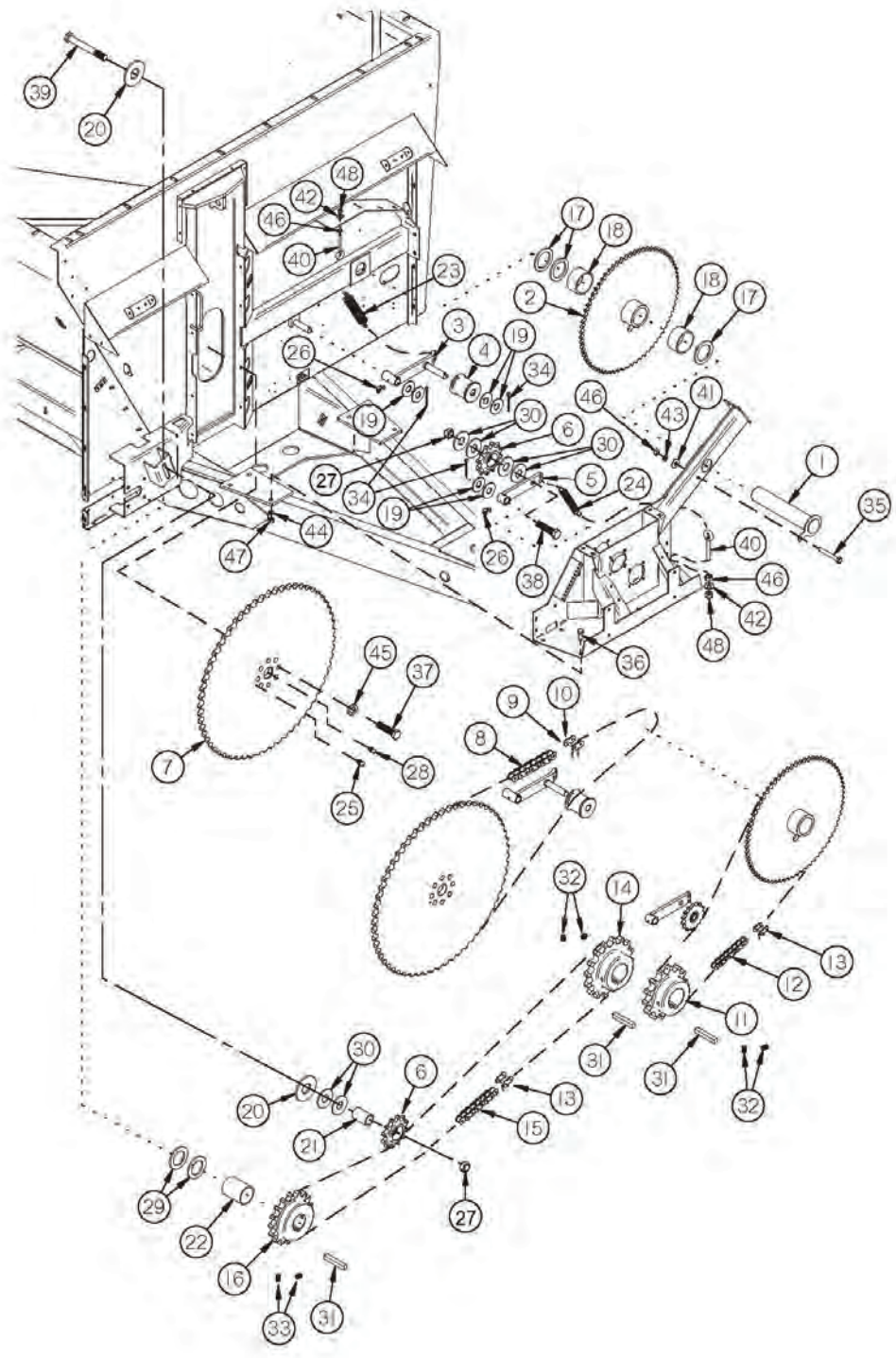
## AUGER/EXPELLER DRIVE

REF #	PART #	DESCRIPTION	QTY
1	TS211	COUNTER SHAFT	1
2	TS212	COUNTER SHAFT REDUCTION	1
3	TS213	AUGER CHAIN TENSIONER	1
4	TS25	ROLLER IDLER	1
5	TS214	CHAIN TENSIONER	1
6	16SV328	SPROCKET W/SNAP RING AND BEARING	2
7	TS217	SPROCKET	1
8	TS218	ROLLER CHAIN, #140HE	1
9	TS219	OFFSET LINK, #140HE	1
10	TS220	CONNECTOR LINK, #140HE	1
11	TS221	DRIVE SPROCKET, #80X14T	1
*	TS372	DRIVE SPROCKET, #80X12T	1
*	TS373	DRIVE SPROCKET, #80X15T	1
*	TS224	DRIVE SPROCKET, #80X16T	1
12	TS222	ROLLER CHAIN, #80HE X 98 14T & 15T SPROCKET	1
*	TS375	ROLLER CHAIN, #80HE X 97 2T SPROCKET	1
*	TS376	ROLLER CHAIN, #80HE X 99 6T SPROCKET	1
13	TS223	CONNECTOR LINK, #80HE	2
14	TS224	SPROCKET, #80X16T	1
*	TS372	SPROCKET, #80X12T	1
*	TS221	SPROCKET, #80X14T	1
15	TS225	ROLLER CHAIN, #80HE X 84 16T SPROCKET	1
*	TS379	ROLLER CHAIN, #80HE X 82 12T SPROCKET	1
*	TS380	ROLLER CHAIN, #80HE X 83 14T SPROCKET	1
16	TS226	SPROCKET, 80B17	1
17	TS227	SPACER, 2-17/32 THICK	A/R
*	TS28	SPACER, 2-17/32 THIN	A/R
18	73576	WASHER FLAT, SAE 1 ZC	2
19	YWFL32005	SPACER, 1	A/R
20	16SV376	SPACER	2
21	TS230	TRUNION PIVOT BUSHING, 3/4 X 7/8 X 1-1/4	3
22	TS231	SPACER	1
23	BFR138	SPRING	1
24	K103	SPRING/EXTENSION	1
25	G89	STRAIGHT ZERK, 1/4 X 90	1
26	RG51	GREASE ZERK, 1/4 - 28 90 DEGREE	2
27	YNRL24005	NUT HEX, REVERSIBLE-SIDE LOCK, 3/4	2
28	BFR28	GREASE ZERK, 1/8	1

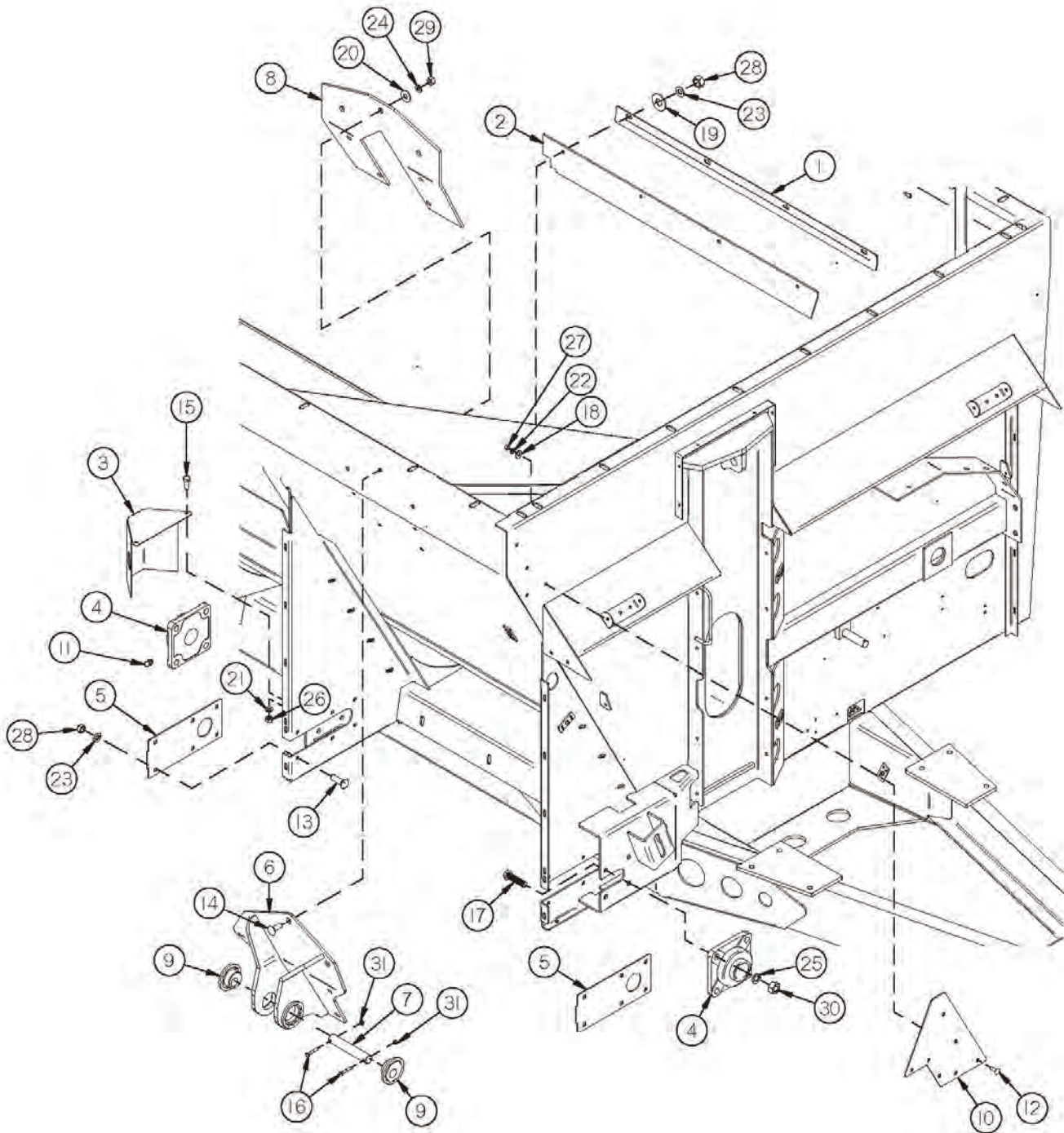




**FIGURE 2**  
**AUGER/EXPELLER DRIVE**









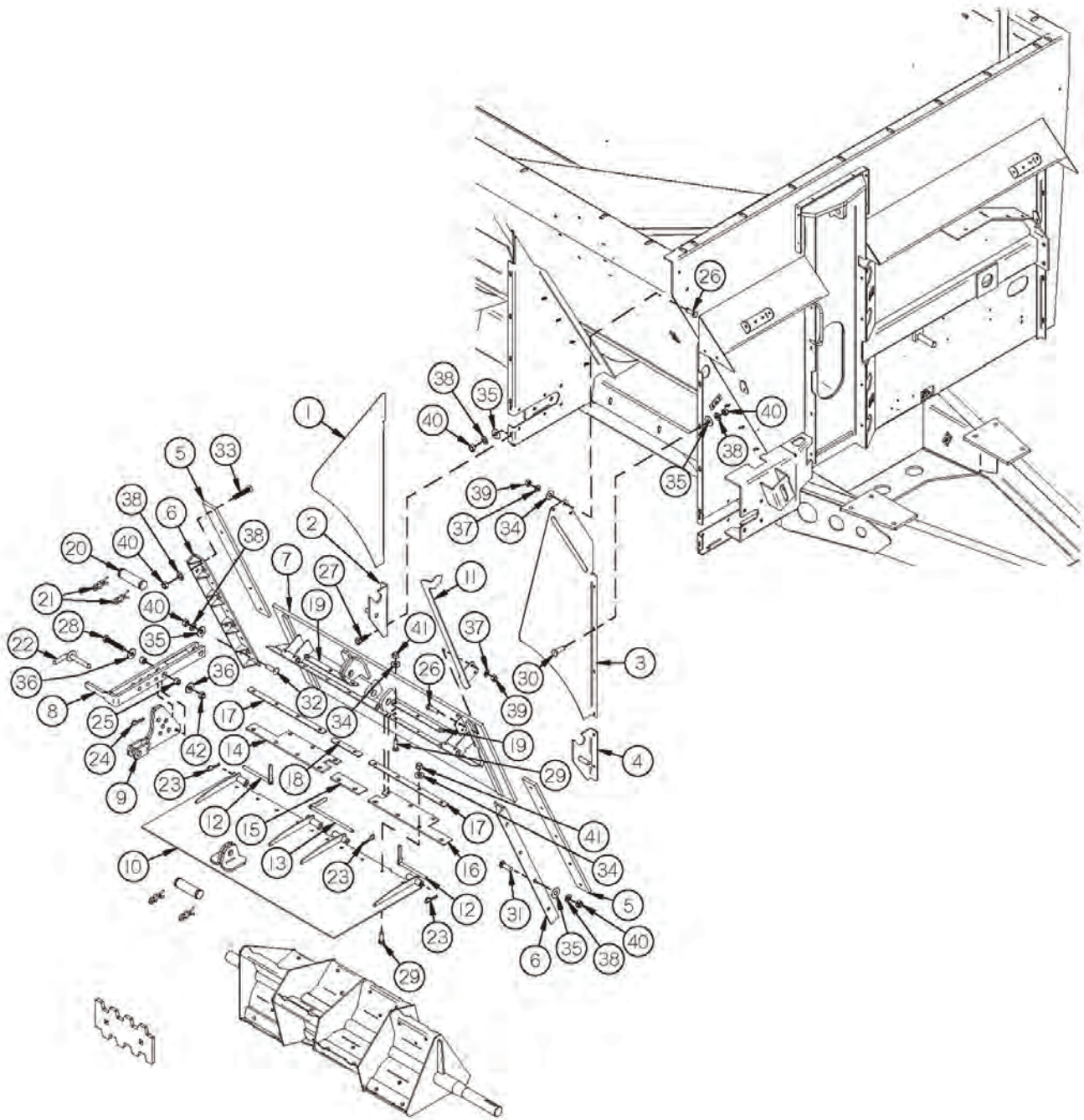


# FIGURE 3

## EXPELLER/DISCHARGE GATE/BEARINGS

REF #	PART #	DESCRIPTION	QTY
1	TS43	DOOR SEAL CLAMP	1
2	TS44	EXPELLER DOOR TOP SEAL	1
3	TS45	EXPELLER BEARING SHIELD	1
4	HGV41	EXPELLER BEARING	2
5	TS47	COVER PLATE	2
6	APX3WE69	CYL MOUNT SUB WELD	1
7	APX3SH15	DOOR CYL TOP PIN	1
8	APX33G52	DOOR CYL REINFORCEMENT	1
9	DWM314	HEX PLUG	2
10	APX310G66	BOLT ON INDICATOR MOUNT	1
11	G89	STRAIGHT GREASE ZERK, 1/4 X 90	1
12	YBCR10010	BOLT CARRIAGE, 5/16 X 1 G5	4
13	YBCR12010	BOLT CARRIAGE, 3/8 X 1 G5	12
14	YBCR16010	BOLT CARRIAGE, 1/2 X 1-1/2 G5	7
15	YBHH08100	BOLT HEX, 1/4 X 3/4 G5	2
16	YBHH08025	BOLT HEX, 1/4 X 1-1/2 G5	2
17	YBHH18010	BOLT HEX, 9/16 X 1-3/4 G5	8
18	YWFL06010	WASHER FLAT, 3/16	4
19	YWFL12005	WASHER FLAT, 3/8	4
20	YWFL16005	WASHER FLAT, 1/2	7
21	YWLO08005	WASHER LOCK, 1/4	2
22	YWLO10005	WASHER LOCK, 5/16	4
23	YWLO12005	WASHER LOCK, 3/8	16
24	YWLO16005	WASHER LOCK, 1/2	7
25	YWLO18005	WASHER LOCK, 9/16	8
26	YNHX08005	NUT HEX, 1/4	2
27	YNHX10005	NUT HEX, 5/16	4
28	YNHX12005	NUT HEX, 3/8	16
29	YNHX16005	NUT HEX, 1/2	7
30	YNHX18005	NUT HEX, 9/16	8
31	YNTL08005	NUT HEX, TOP LOCK, 1/4	2



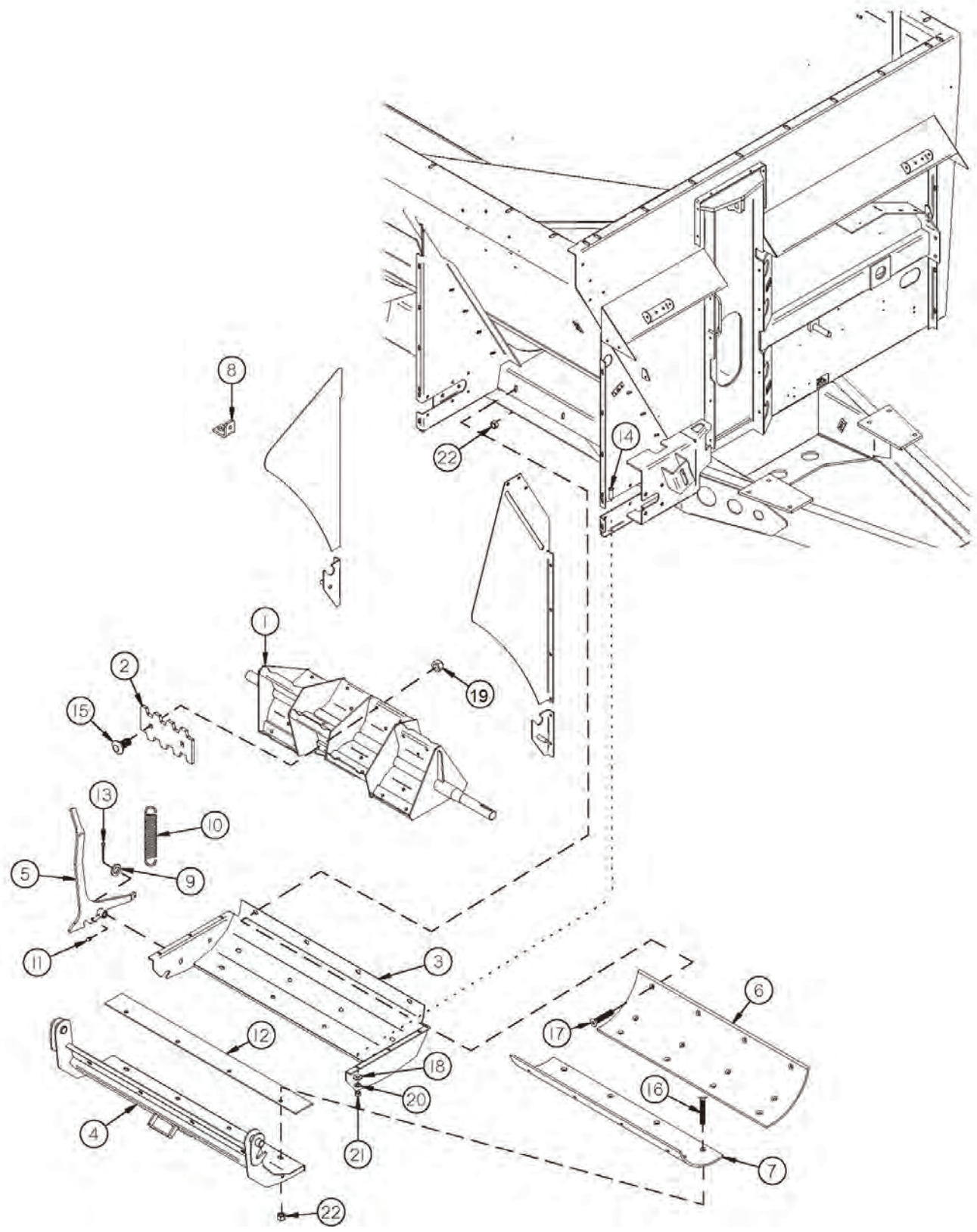


REF #	PART #	DESCRIPTION	QTY
1	TS232	EXPELLER SPOUT LH	1
2	TS49	PAN HINGE BRACKET LH	1
3	TS233	EXPELLER SPOUT RH	1
4	TS51	PAN HINGE BRACKET RH	1
5	TS52	DOOR SLIDER POLY	2
6	TS53	EXPELLER DOOR GUIDE	2
7	84592	EXPELLER DOOR	1
8	TS55	DEFLECTOR ADJUSTMENT HANDLE	1
9	TS56	DEFLECTOR ADJUSTMENT LINK	1
10	84594	ADJUSTABLE FLAT DEFLECTOR	1
11	TS58	DOOR INDICATOR	1
12	TS59	DEFLECTOR SIDE PIN	2
13	TS60	DEFLECTOR MID PIN	1
14	TS61	DEFLECTOR SEAL LH	1
15	TS62	MID DEFLECTOR SEAL	1
16	TS63	DEFLECTOR SEAL RH	1
17	TS64	SEAL STRAP LONG	2
18	TS65	SEAL STRAP MID	1
19	TS66	SEAL STRAP SHORT	2
20	T143	CYLINDER PIN	2
21	YPHR02020	HAIR PIN	4
22	TS69	CASTER LOCKING PIN	1
23	X97	HAIR PIN	3
24	WM378	HAIR PIN W/LANYARD	1
25	TS307	HANDLE PIVOT	2
26	YBHH10105	BOLT HEX, 5/16 X 3/4 G5	5
27	YBHH12010	BOLT HEX, 3/8 X 1 G5	4
28	YBHH16105	BOLT HEX, 1/2 X 3 G5	1
29	YBCR10010	BOLT CARRIAGE, 5/16 X 1 G5	16
30	YBCR12010	BOLT CARRIAGE, 3/8 X 1 G5	8
31	YBCR12020	BOLT CARRIAGE, 3/8 X 1-1/4 G5	7
32	YBCR12015	BOLT CARRIAGE, 3/8 X 1-1/2 G5	1
33	YSFS12005	SCREW FLAT HEAD SOCKET CAP, 3/8 X 1-1/4	10
34	YWFL10005	WASHER FLAT, 5/16	19
35	YWFL12005	WASHER FLAT, 3/8	20
36	YWFL16005	WASHER FLAT, 1/2	2
37	YWLO10005	WASHER LOCK, 5/16	5
38	YWLO12005	WASHER LOCK, 3/8	30
39	YNHX10005	NUT HEX, 5/16	5
40	YNHX12005	NUT HEX, 3/8	30
41	YNTL10005	NUT HEX, TOP LOCK, 5/16	16
42	YNTL16005	NUT HEX, TOP LOCK, 1/2	1





**FIGURE 5**  
**EXPELLER/DISCHARGE GATE/PAN**



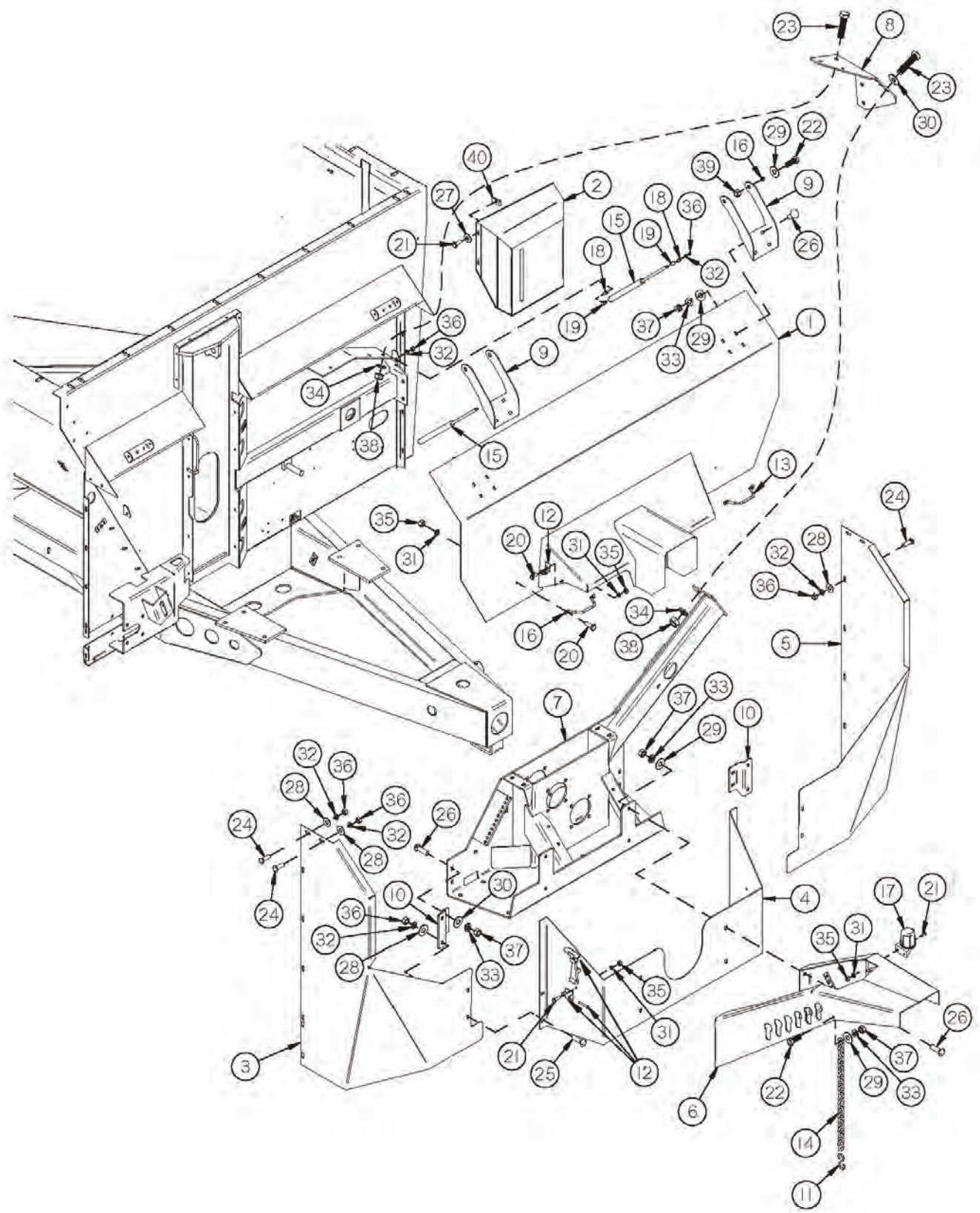


REF #	PART #	DESCRIPTION	QTY
1	69616	EXPELLER	1
2	TS68	EXPELLER PADDLE	12
3	TS72	SWING AWAY PAN FRAME	1
4	TS73	SWING AWAY PAN	1
5	TS74	PAN LATCH HANDLE	1
6	TS75	EXPELLER BACK POLY	1
7	TS76	EXPELLER PAN POLY	1
8	56N146	SHIELD ANGLE	1
9	T73	SPACER	3
10	K103	SPRING	1
11	G89	GREASE ZERK	1
12	TS18	PAN RUBBER SEAL	1
13	YPCT06010	COTTER PIN, 3/16 X 1-1/4	1
14	YBCR10010	BOLT CARRIAGE, 5/16 X 1 G5	6
15	YBCR16019	BOLT CARRIAGE, 1/2 X 1-3/4 G8	24
16	YSFS16010	BOLT FLAT SOK, 1/2 X 1-1/2	20
17	YSFS16020	BOLT FLAT SOK, 1/2 X 1-3/4	4
18	YWFL10005	WASHER FLAT, 5/16	6
19	YNTL16006	NUT HEX, TOP LOCK 1/2 G9	24
20	YWLO10005	WASHER LOCK, 5/16	6
21	YNHX10005	NUT HEX, 5/16	6
22	YNFG16003	NUT FLANGE, 1/2 GF	24





# FIGURE 6 GUARDS/SHIELDS





# FIGURE 6

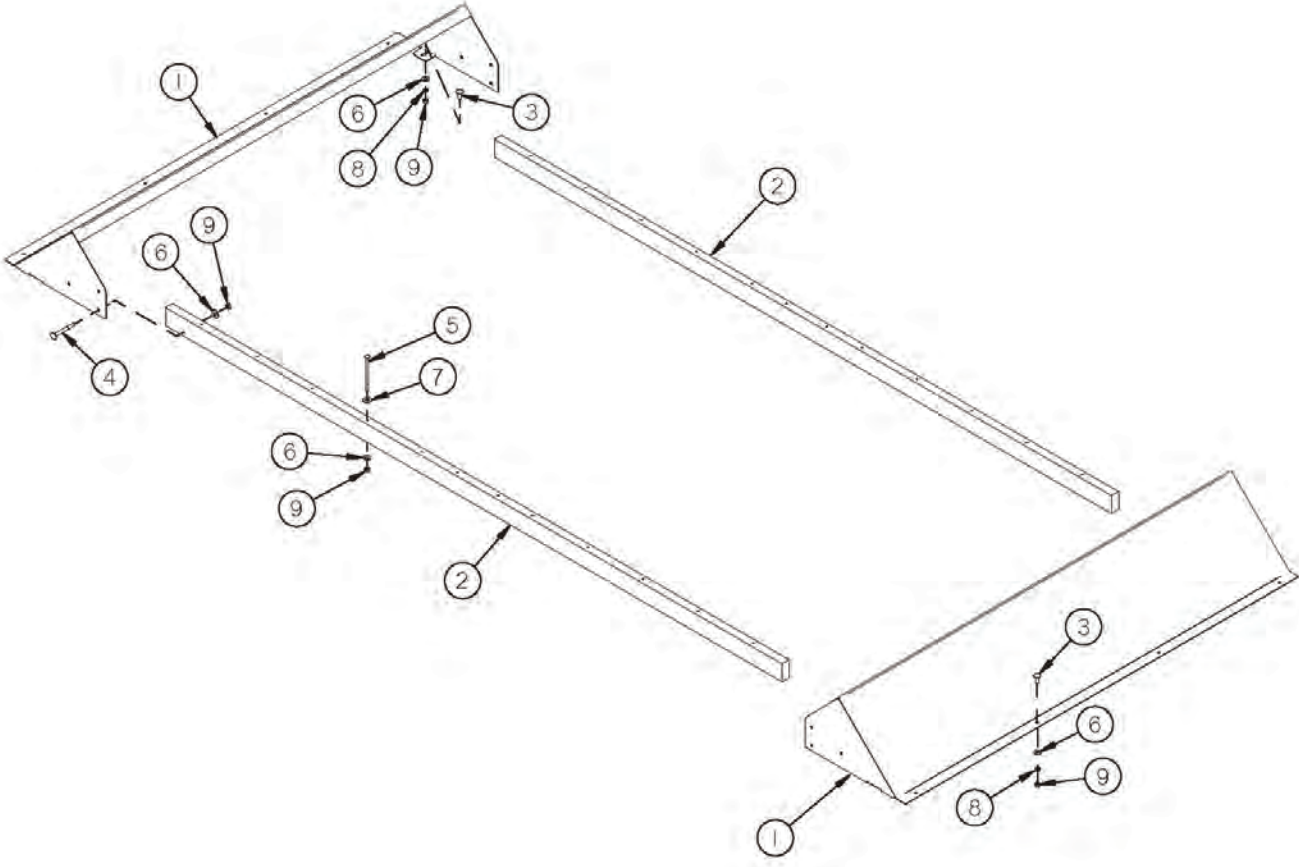
## GUARDS/SHIELDS

REF #	PART #	DESCRIPTION	QTY
1	TS234	SHIELD FRONT	1
2	TS235	CYLINDER COVER FRONT	1
3	TS236	RH SHIELD FRONT	1
4	TS237	GEARBOX SHIELD	1
5	TS238	LH SHIELD FRONT	1
6	TS239	HOSE HOLDER	1
7	TS240	GEARBOX	1
8	TS241	JACKSHAFT BRACE	1
9	TS242	SHIELD HINGE	8
10	TS243	FRONT SHIELD MOUNT	8
11	F87	S HOOK	1
12	X233	COMPLETE LATCH	2
13	TS96	SHIELD HANDLE	2
14	TS130	CHAIN PTO HOLDER	1
15	TS244	GAS STRUT	2
16	GM180	SPACER	4
17	CHM38	PLUG COVER	1
18	TS382	BALL MOUNT 10MM	2
19	TS383	BALL 10MM	2
20	YBHH08015	BOLT HEX, 1/4 X 1/2 G5	6
21	YBHH08100	BOLT HEX, 1/4 X 3/4 G5	8
22	YBHH12010	BOLT HEX, 3/8 X 1 G5	5
23	YBHH20010	BOLT HEX, 5/8 X 1-1/2 G5	8
24	YBCR10030	BOLT CARRIAGE, 5/16 X 3/4 G5	8
25	YBCR10010	BOLT CARRIAGE, 5/16 X 1 G5	4
26	YBCR12010	BOLT CARRIAGE, 3/8 X 1 G5	16
27	YWFL08005	WASHER FLAT, 1/4	4
28	YWFL10005	WASHER FLAT, 5/16	12
29	YWFL12005	WASHER FLAT, 3/8	21
30	YWFL20005	WASHER FLAT, 5/8	3
31	YWLO08005	WASHER LOCK, 1/4	10
32	YWLO10005	WASHER LOCK, 5/16	16
33	YWLO12005	WASHER LOCK, 3/8	17
34	YWLO20005	WASHER LOCK, 5/8	8
35	YNHX08005	NUT HEX, 1/4	10
36	YNHX10005	NUT HEX, 5/16	16
37	YNHX12005	NUT HEX, 3/8	17
38	YNHX20005	NUT HEX, 5/8	8
39	YNL12005	NUT HEX, TOP LOCK, 3/8	4
40	YNUN08005	NUT U, EXTRUDED, 1/4	4





**FIGURE 7**  
**SPLASH GUARD/RAILS**

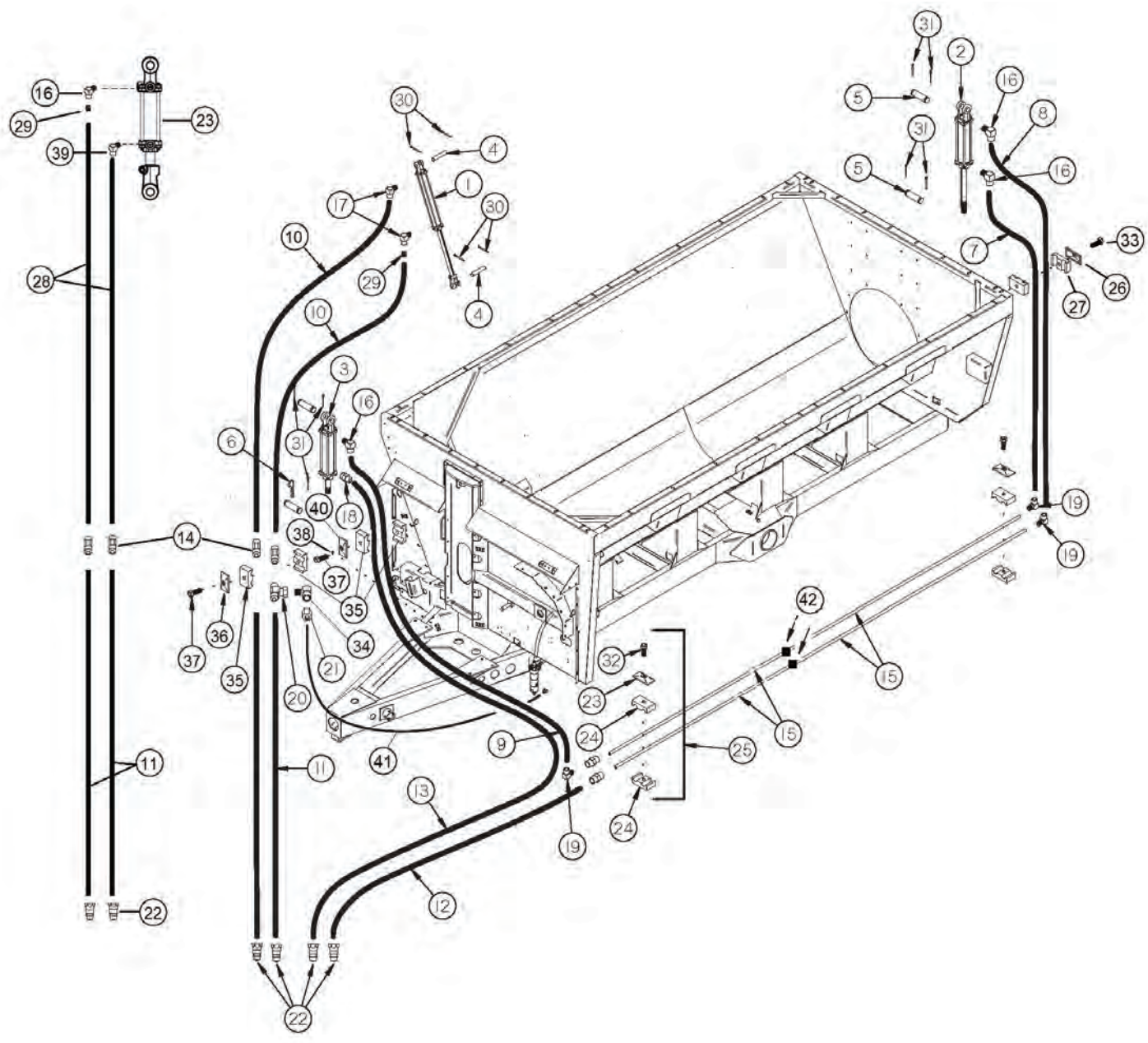








**FIGURE 8**  
**HYDRAULICS**



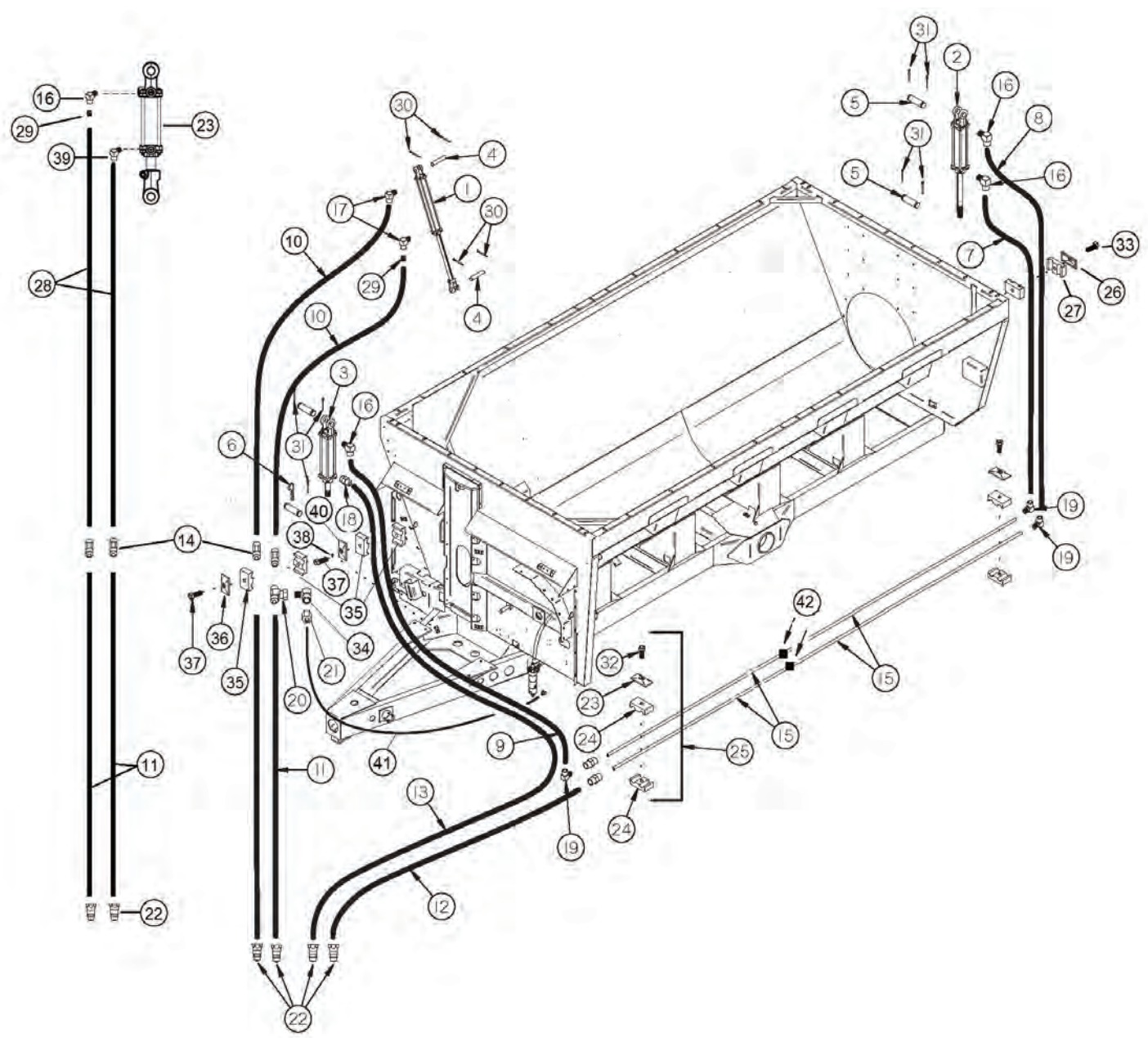


REF #	PART #	DESCRIPTION	QTY
1	23N111A	CYLINDER, 2 X 16	1
2	TS105	CYLINDER, 3-1/4 X 8	1
3	TS104	CYLINDER, 3 X 8	1
4	LW55	CYLINDER PIN	2
5	T143	CYLINDER PIN	4
6	YPHR02010	HAIR PIN, #21-07	1
7	TS115	HYDRAULIC HOSE, 1/2 X 49	1
8	TS247	HYDRAULIC HOSE, 1/2 X 60	1
9	TS248	HYDRAULIC HOSE, 1/2 X 66	1
10	85430	HYDRAULIC HOSE, 6 X 125	2
11	85664	HYDRAULIC HOSE, 6 X 94	4
12	TS251	HYDRAULIC HOSE, 1/2 X 132	1
13	TS252	HYDRAULIC HOSE, 1/2 X 184	1
14	CHM258	UNION (6 HTX-S)	4
15	89070	HYDRAULIC TUBE, 1/2 X 120	4
16	TS135	8 MALE O-RING TO -8 MALE JIC 90°	5
17	CHM232	FITTING, 90, 6JIC X 1/2NPT	2
18	TS137	8 MALE O-RING TO -8 MALE JIC	1
19	TFM83	8 FEMALE JIC SWIVEL TO -8 MALE JIC 90	3
20	CHM242	FITTING, TEE, 6JIC X 6JIC X 6JIC	1
21	73993	FITTING, ST,6JIC, 6NPTF, STL	1
22	DWM205	MALE QUICK COUPLER W/HYD TIP	6
23	70797	CYLINDER, HYDRAULIC, 10.2 X 14.2	3
24	TS118	LINE CLAMP BLOCK	6
25	TFM91	DOUBLE STEEL LINE CLAMP	3
26	56564	CLAMP TOP PLATE	6
27	56596	CLAMP CUSHION (SET OF 2)	6
28	85446	HYDRAULIC HOSE, 6 X127	2
29	58142	IN-LINE CONNECTOR, ORIFICE, 6-XHX7-S .031	2
30	YPCT05010	COTTER PIN, 5/32 X 1-1/2	4
31	YPCT06005	COTTER PIN, 3/16 X 1-1/2	7
32	56568	BOLT HEX 5/16 X 1-3/8 G5	10
33	56569	BOLT 5/16 X 1-3/4 G5	6
34	58127	FITTING 6 C6X-S	1
35	CHM278	CLAMP HALF 3/8" HOSE (SET OF 2)	10
36	56563	CLAMP TOP PLATE	11
37	56573	CLAMP STACKING BOLT	5
*	YBFB10300	BOLT FLANGE, 5/16 X 3 G5	1
38	YNFG10005	NUT FLANGE, 5/16-18, GF	1



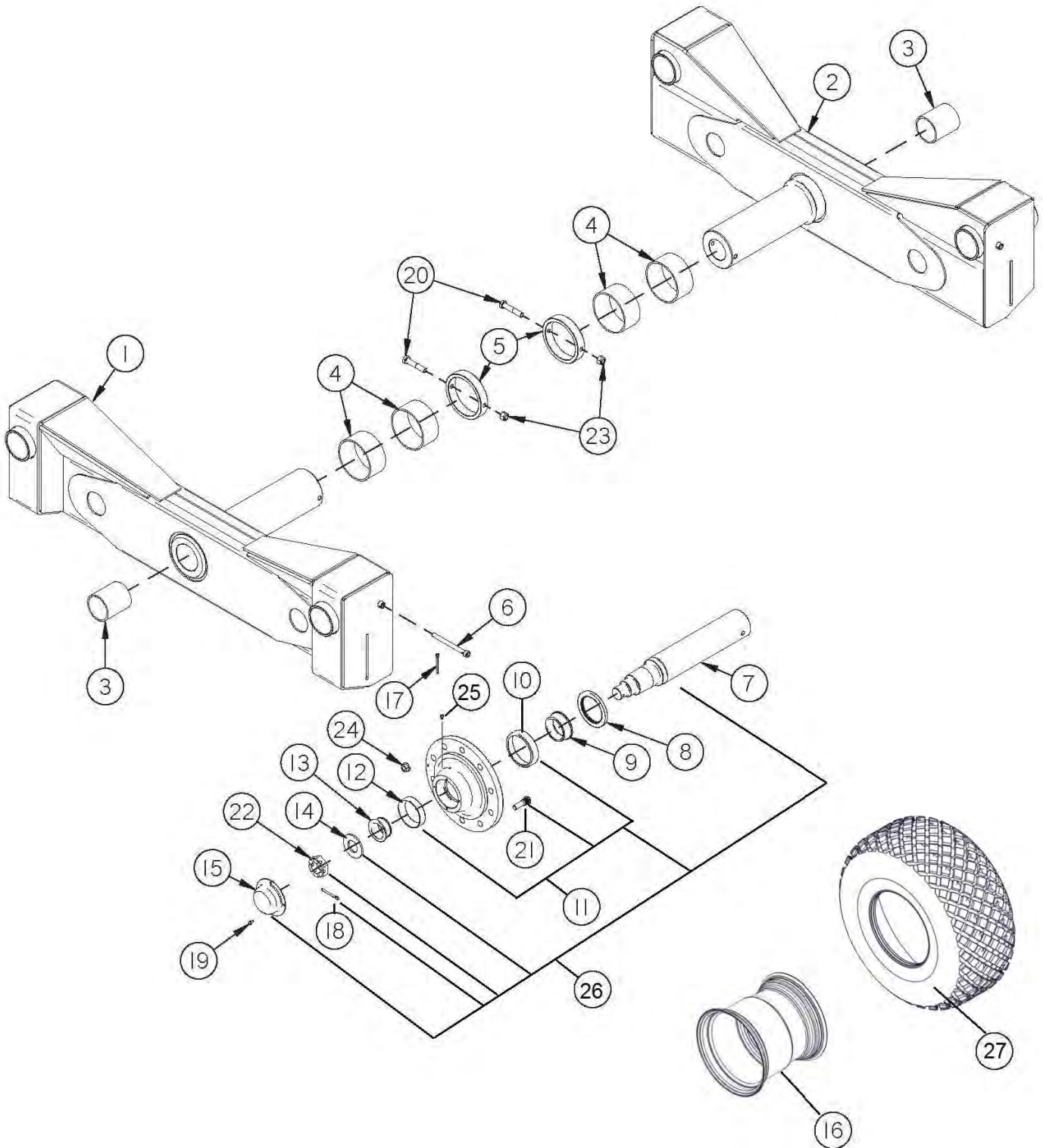


**FIGURE 8**  
**HYDRAULICS**











# FIGURE 9 TANDEM AXLES

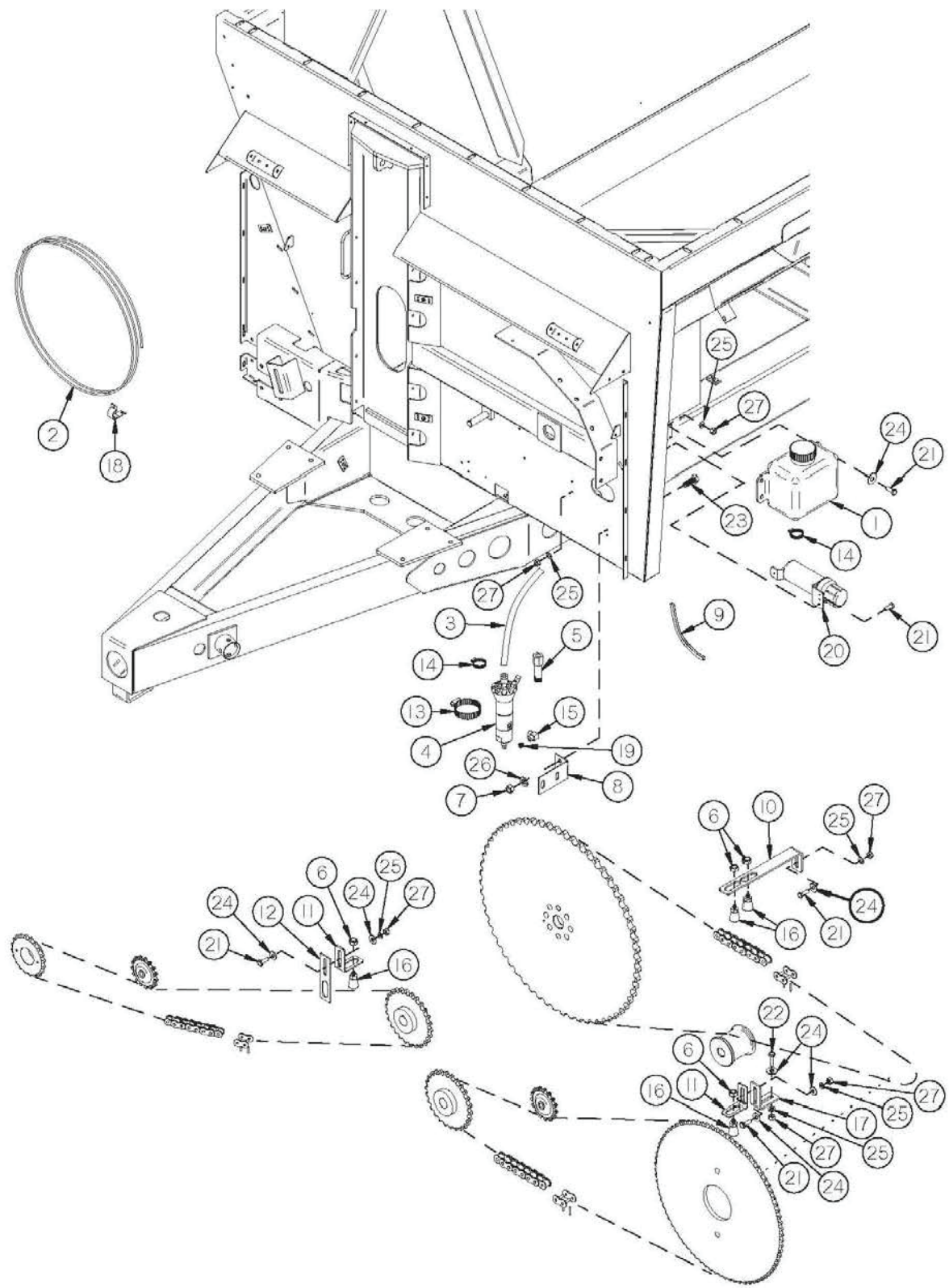
REF #	PART #	DESCRIPTION	QTY
1	57388	DROP TANDEM BEAM RH	1
2	57394	DROP TANDEM BEAM LH	1
3	60543	BEARING, NYLATRON, 4 ID	2
4	58805	BEARING, NYLATRON, 6.5 ID	4
5	APX4TU08	TANDEM COLLAR	2
6	TS260	SPINDLE PIN	4
7	TS394	TANDEM SPINDLE, 15000 LB HUB	4
8	90298	OIL BATH SEAL	4
9	TS388	INNER BEARING	4
10	TS389	INNER RACE	4
11	90288	HUB SUB ASSEMBLY	4
12	TS390	OUTER RACE	4
13	TS391	OUTER BEARING	4
14	90290	WASHER	4
15	90291	OIL BATH CAP	4
16	8571	WHEEL	4
17	YPCT06020	COTTER PIN, 3/16 X 2	4
18	YPEX12350	EXPANSION PIN, 3/8 X 3-1/2	4
19	YBHH10105	BOLT HEX, 5/16 X 3/4 G5	16
20	YBHH20060	BOLT HEX, 5/8 X 3-1/4 G5 ZC	4
21	YBSD24015	BOLT STUD, 3/4-16UNF X 3-7/8 3/4	40
22	YNSL44005	NUT HEX, SLOTTED, 2-12	4
23	YNTL20005	NUT HEX, TOP LOCK, 5/8-11	4
24	BFR618	NUT FLANGE, 3/4-16	40
25	BFR28	GREASE ZERK, 1/8	4
26	90394	HUB, OIL BATH ASSY	4
27	8570	28L-26-R3 TR-90 TIRE	4
*	72404	TIRE, 28L - 26, BIAS, ATG	4
*	72405	TIRE, 28L R26, RAD, ATG	4





# FIGURE 10

## OILER KIT





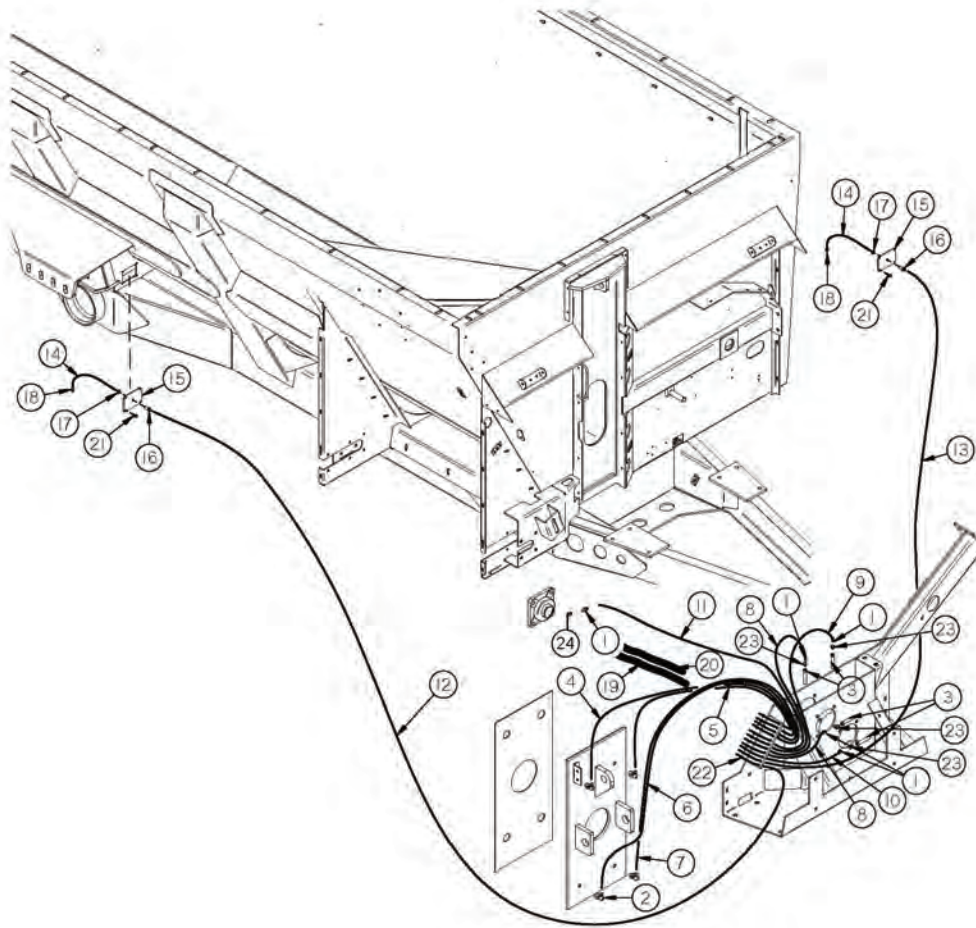


# FIGURE 10

## OILER KIT

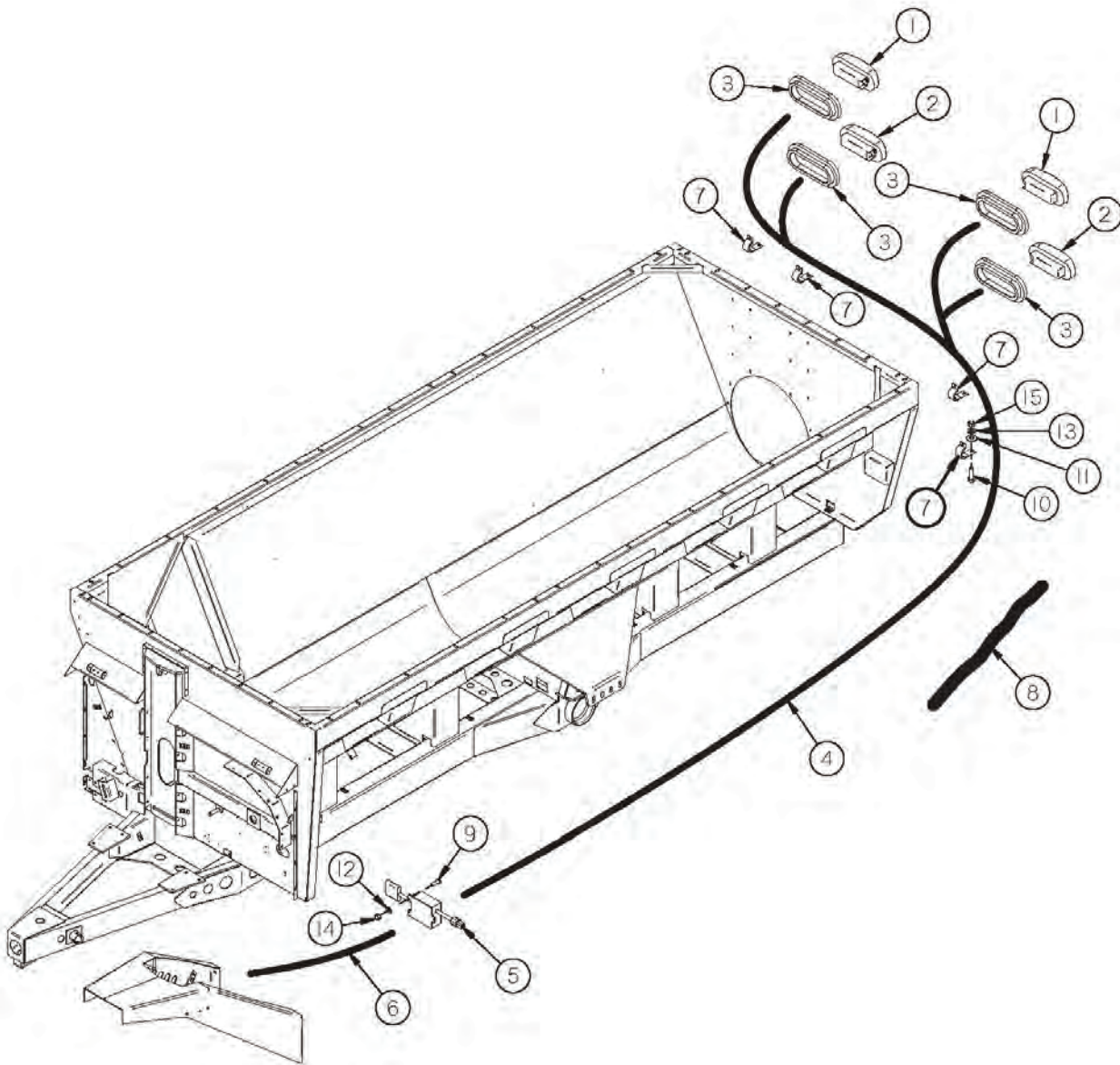
REF #	PART #	DESCRIPTION	QTY
1	HGV63	RESERVOIR	1
2	HGV71	OIL TUBE	1
3	HGV66	FILLER HOSE	1
4	HGV82	PUMP (COMPLETE)	1
5	HGV84	170-4515 MANIFOLD ASSEMBLY	4
6	YNHX16005	NUT HEX, 1/2	4
7	YNHX12005	NUT HEX, 3/8-16	2
8	HGV68	PUMP MOUNT BRACKET	1
9	HGV77	EDGING	1
10	TS322	EXTRA LONG BRUSH BRACKET	1
11	TS98	OILER BRUSH BRACKET SINGLE	2
12	HGV70	BRACKET MOUNT	1
13	HGV74	HOSE CLAMP, 2	1
14	HGV75	HOSE CLAMP, 1	2
15	HGV65	O-RING/JIC ELBOW	1
16	HGV67	BRUSH	4
17	TS321	OILER HANGER	1
18	HGV162	RUBBER WIRE HOLDER, 1/2	2
*	TS269	RUBBER WIRE HOLDER, 1/4	2
*	YSHW08005	SCREW HEX, WASHER, 1/4-20 X 3/8	2
19	TS198	ORIFICE .015 (4XHX7-S)	1
20	S522	MANUAL HOLDER	1
21	YBHH08100	BOLT HEX, 1/4 X 3/4 G5	10
22	YBHH08010	BOLT HEX, 1/4 X 1 G5	1
23	YBHH12135	BOLT HEX, 3/8 X 3/4 G5	2
24	YWFL08005	WASHER FLAT, 1/4	10
25	YWLO08005	WASHER LOCK, 1/4	11
26	YWLO12005	WASHER LOCK, 3/8	2
27	YNHX08005	NUT HEX, 1/4-20	11
*	HGV62	COMPLETE OILER KIT	1





Refer to Operator Manual for order of zerk/line destination



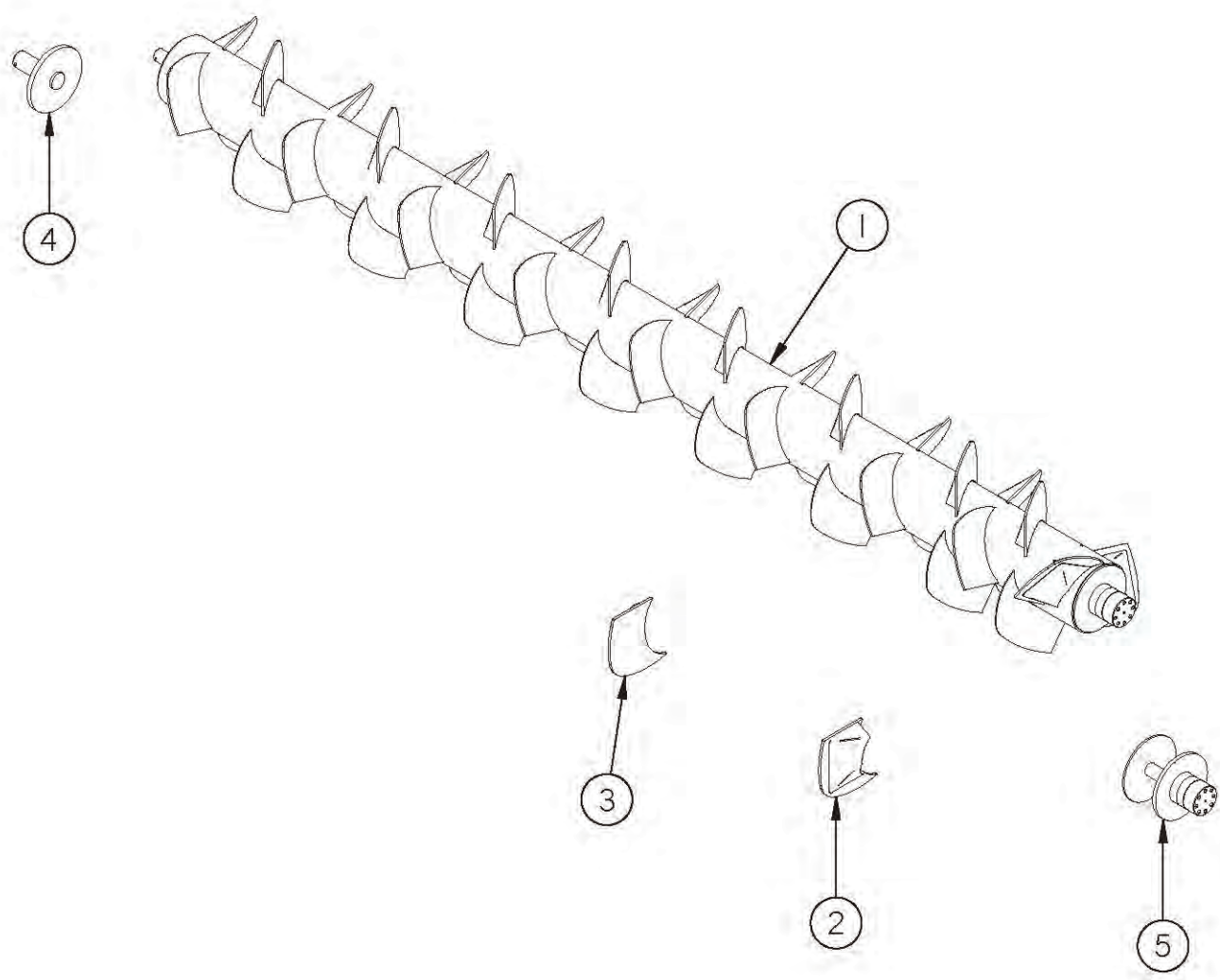




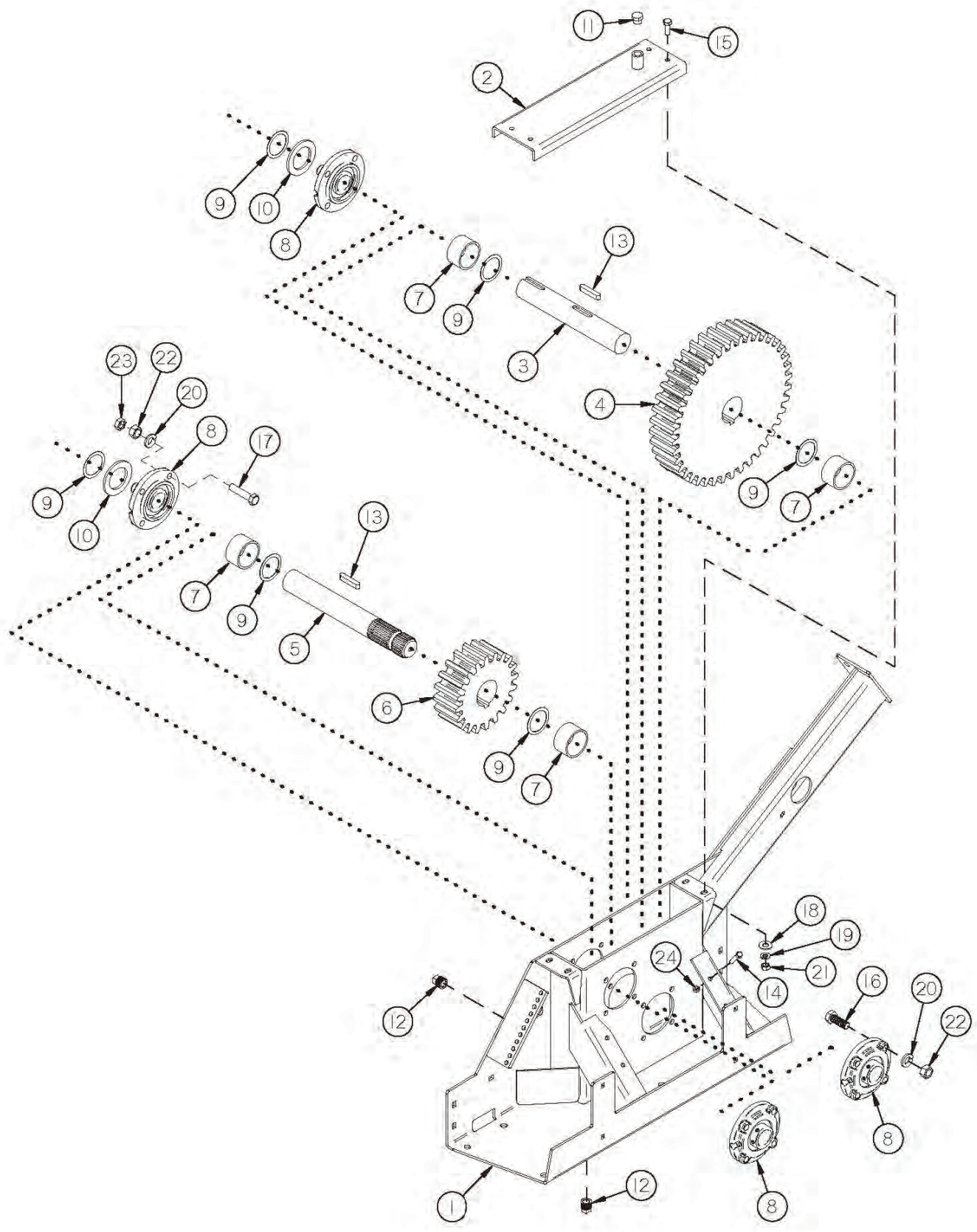




**FIGURE 13**  
**AUGER**











# FIGURE 14

## GEARBOX

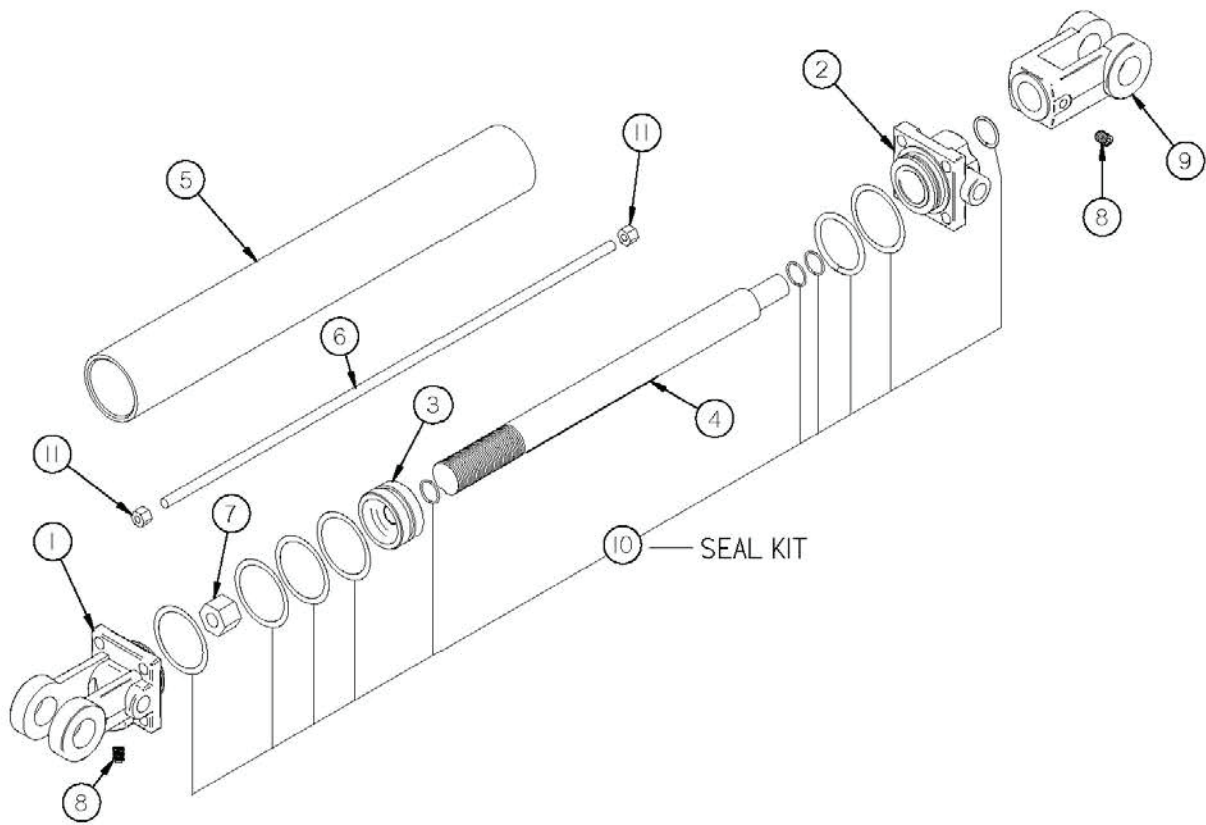
REF #	PART #	DESCRIPTION	QTY
1	TS240	GEARBOX	1
2	TS279	GEARBOX COVER	1
3	TS280	SECONDARY SHAFT	1
4	TS281	SPUR GEAR, (40T)	1
5	TS282	SPLINED INPUT SHAFT	1
6	TS283	SPUR GEAR, (20T)	1
7	TS284	BUSHING	4
8	TS285	BEARING	4
9	TS286	SHIM, 1/32 THICK	A/R
10	S36	SHIM, 3/16 THICK	A/R
*	S409	SHIM, 1/8 THICK	A/R
11	SD134	VENT PLUG	1
12	DWM159	PIPE PLUG, 3/4	2
13	56N174	3/8" X 2" SQUARE KEY, ROUND ENDS HARDENED	2
14	YBHH10075	BOLT HEX, 5/16 X 2 G8	4
15	YBHH12010	BOLT HEX, 3/8 X 1 G5	4
16	YBHH16065	BOLT HEX, 1/2 X 2 G5	15
17	YBHH16080	BOLT HEX, 1/2 X 2-1/2 G5	1
18	YWFL12005	WASHER FLAT, 3/8	4
19	YWLO12005	WASHER LOCK, 3/8	4
20	YWLO16005	WASHER LOCK, 1/2	16
21	YNHX12005	NUT HEX, 3/8	4
22	YNHX16005	NUT HEX, 1/2	16
23	YNJM16005	NUT HEX JAM, 1/2	1
24	YNTL10005	NUT HEX, TOP LOCK, 5/16	4
*	APX3AS07	GEARBOX	1





# FIGURE 15

## AUGER FRONT/REAR HYDRAULIC CYLINDER



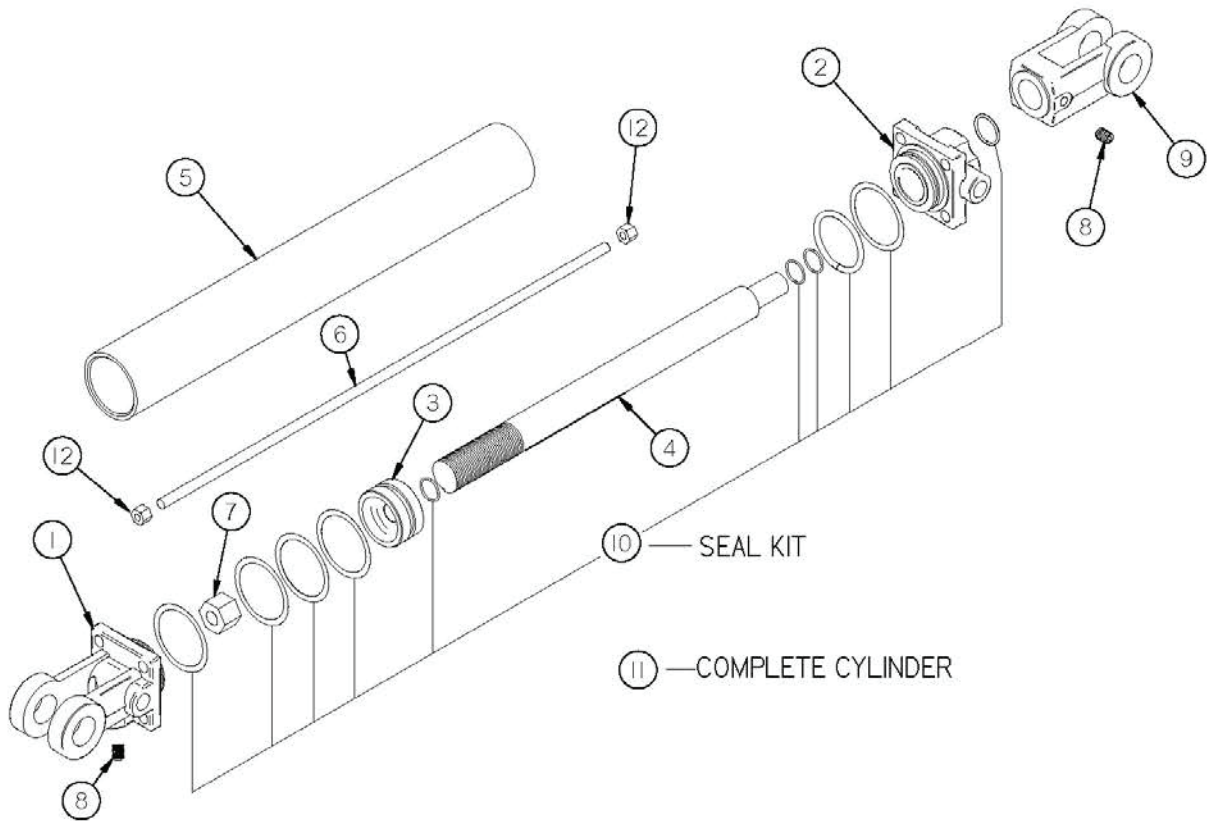


# FIGURE 15

## AUGER FRONT/REAR HYDRAULIC CYLINDER

REF #	PART #	DESCRIPTION	QTY
3" BORE			
1	TS160	BASE (3/4 - 16 SAE PORT)	1
2	TS158	HEAD (3/4 - 16 SAE PORT)	1
3	TS159	PISTON NUT	1
4	TS156	ROD	1
5	TS157	TUBE	1
6	TS153	TIE ROD	4
7	TS145	PISTON NUT	1
8	TS152	PLUG (3/4-16 SAE)	1
9	TS155	CLEVIS ASSEMBLY	1
10	TS163	SEAL KIT	1
11	TS144	TIE ROD NUT	8
3-1/4" BORE			
1	TS176	BASE (3/4 - 16 SAE PORT)	1
2	TS174	HEAD (3/4 - 16 SAE PORT)	1
3	TS175	PISTON NUT	1
4	TS172	ROD	1
5	TS173	TUBE	1
6	TS171	TIE ROD	4
7	TS166	PISTON NUT	1
8	TS152	PLUG (3/4-16 SAE)	1
9	TS155	CLEVIS ASSEMBLY	1
10	TS177	SEAL KIT	1
11	TS165	TIE ROD NUT	8



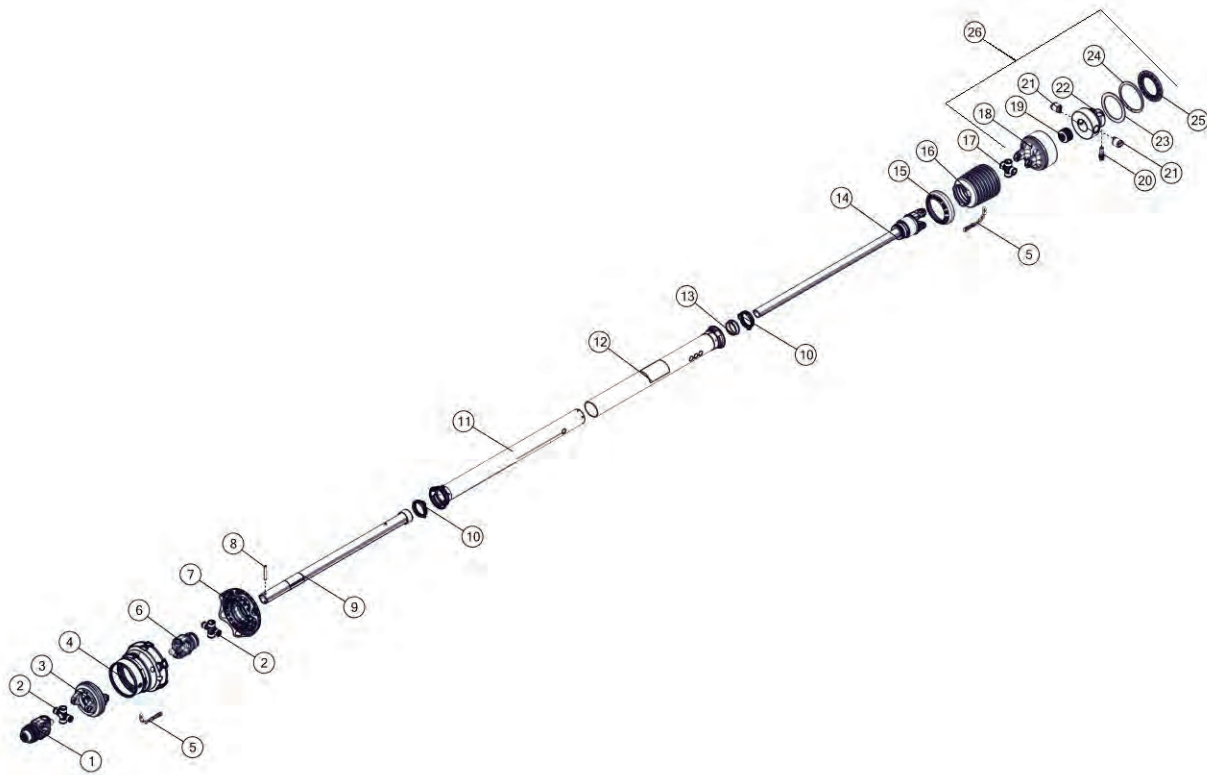








**FIGURE 17**  
PTO (1000RPM 1-3/8)

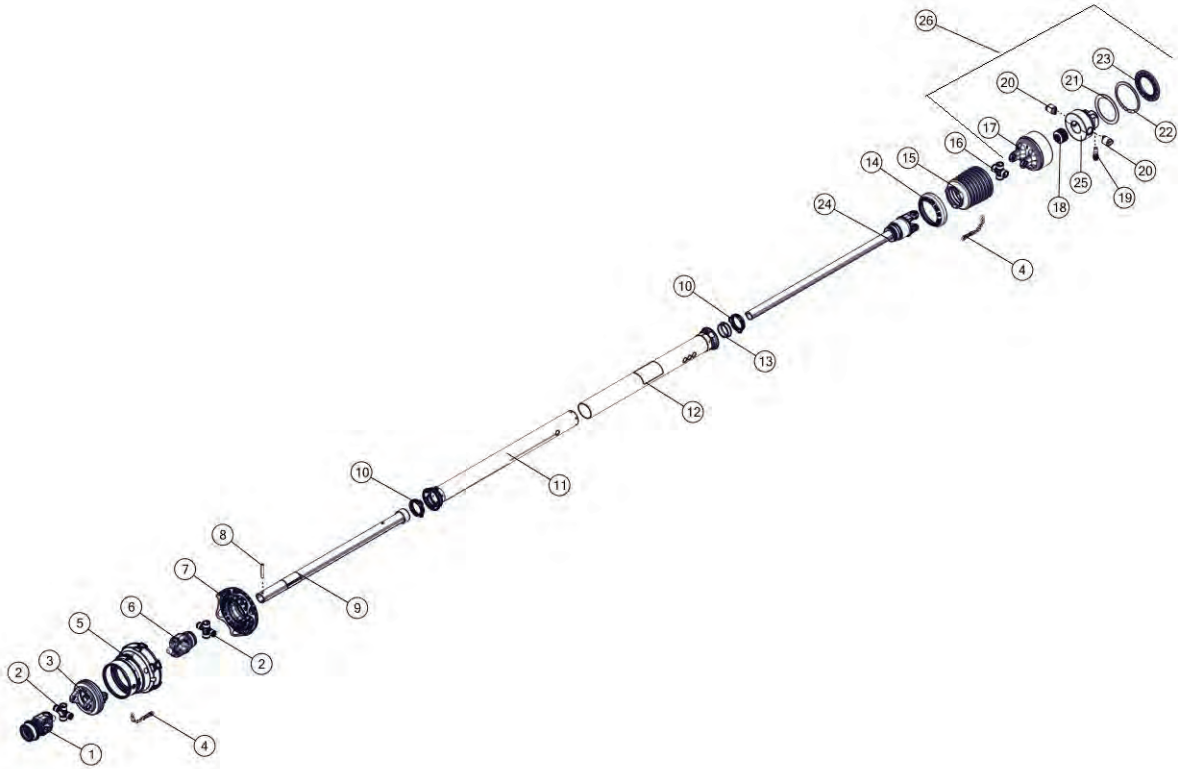






# FIGURE 18

PTO (1000RPM 1-3/4)







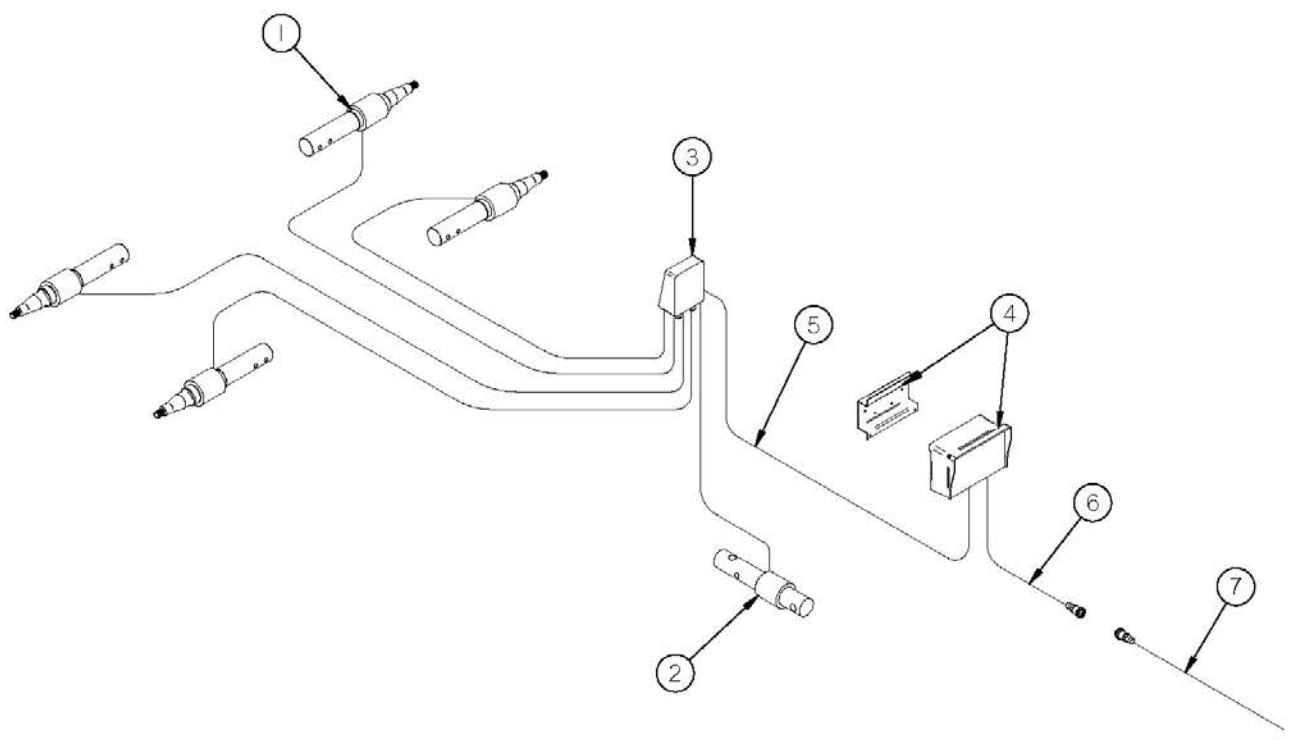
**FIGURE 18**  
**PTO (1000RPM 1-3/4)**

REF #	PART #	DESCRIPTION	QTY
1	89799	YOKE	1
2	89768	CROSS AND BEARING KIT	2
3	89769	DOUBLE YOKE	1
4	87916	RESTRAINT CHAIN	2
5	89784	CV GUARD	1
6	93221	YOKE ASSEMBLY	1
7	89776	NET GUARD	1
8	89773	SPRING PIN	1
9	93222	OUTER SHAFT	1
10	87919	BEARING RING	2
11	93223	INNER TUBE	1
12	93226	OUTER TUBE	1
13	89793	SUPPORT BEARING	1
14	89792	REINFORCING COLLAR	1
15	93225	GUARD CONE	1
16	89786	CROSS AND BEARING KIT	1
17	93230	HOUSING	1
18	93232	SPRING PACK	1
19	93237	LOCK ASSEMBLY	1
20	93233	CAM	2
21	93234	WASHER	1
22	93235	RETAINING RING	1
23	93236	SEAL	1
24	93224	INNER SHAFT W/ OVERRUNNING CLUTCH	1
25	93231	HUB	1
26	93229	CUT-OUT CLUTCH	1
*	93218	COMPLETE PTO, 1-3/4 1000 RPM	1
*	S402	ADMA SAFETY MANUAL	1





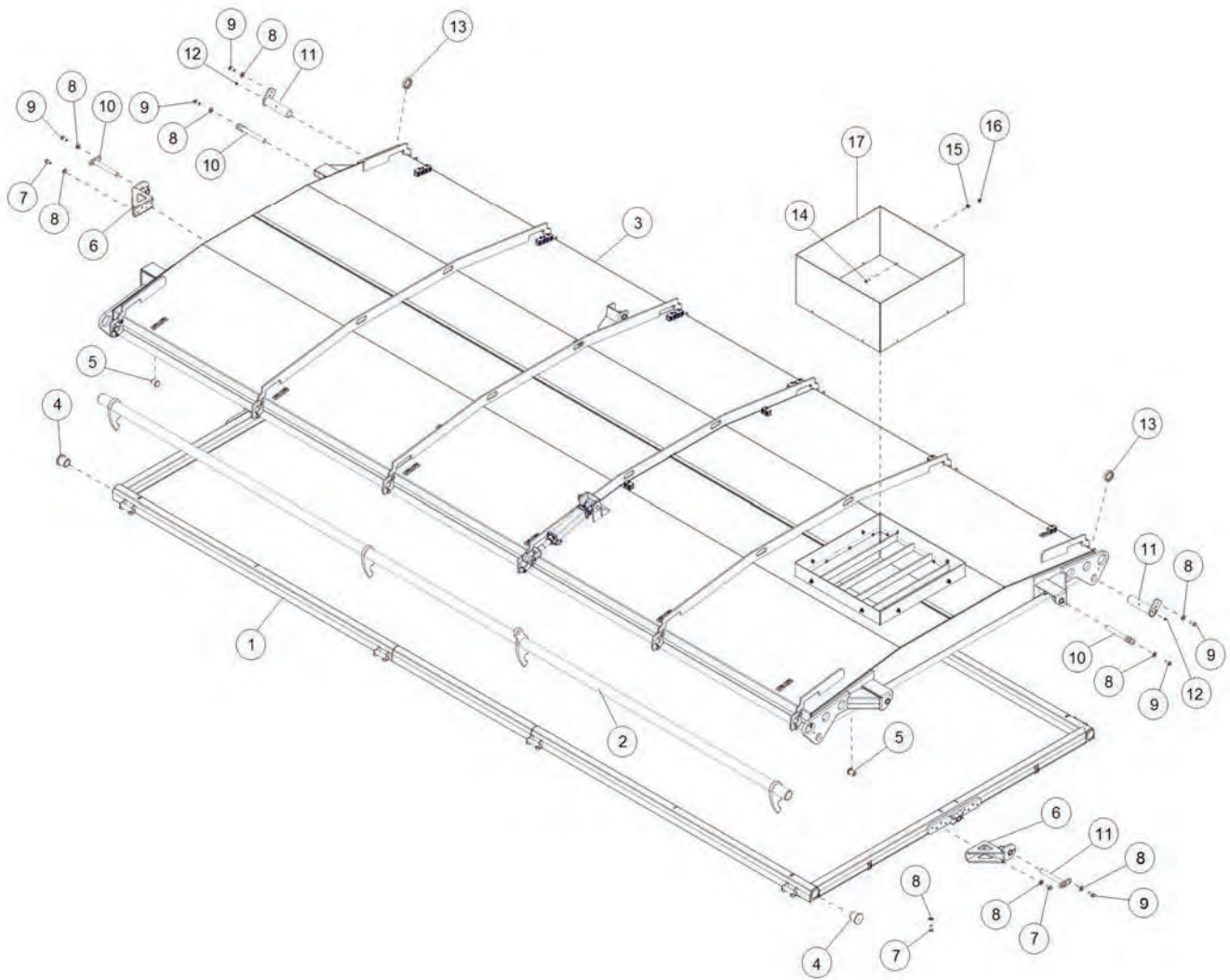
**FIGURE 19**  
**SCALE**







# FIGURE 20 COVER COMPONENTS

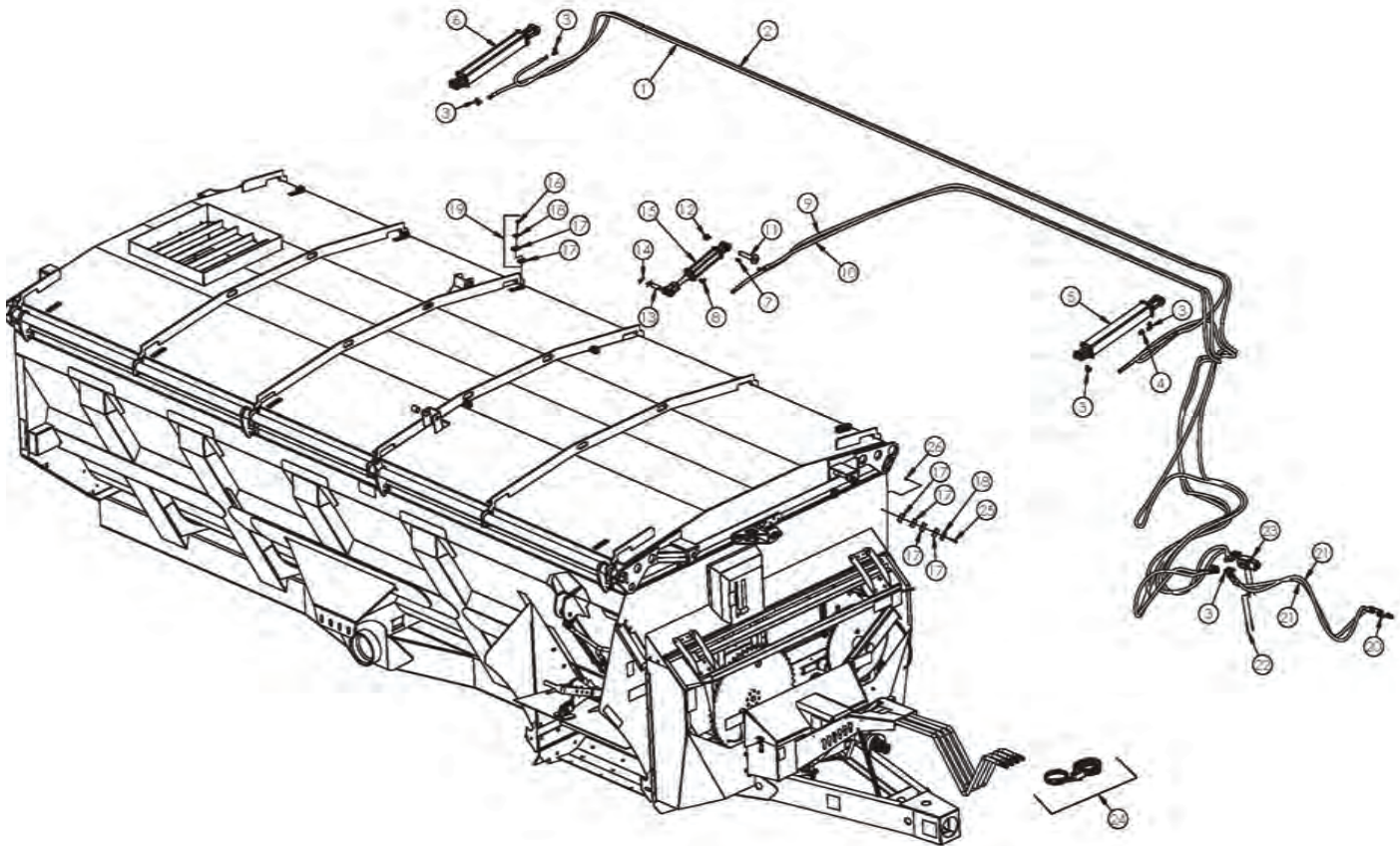








# FIGURE 21 COVER HYDRAULICS





# FIGURE 21

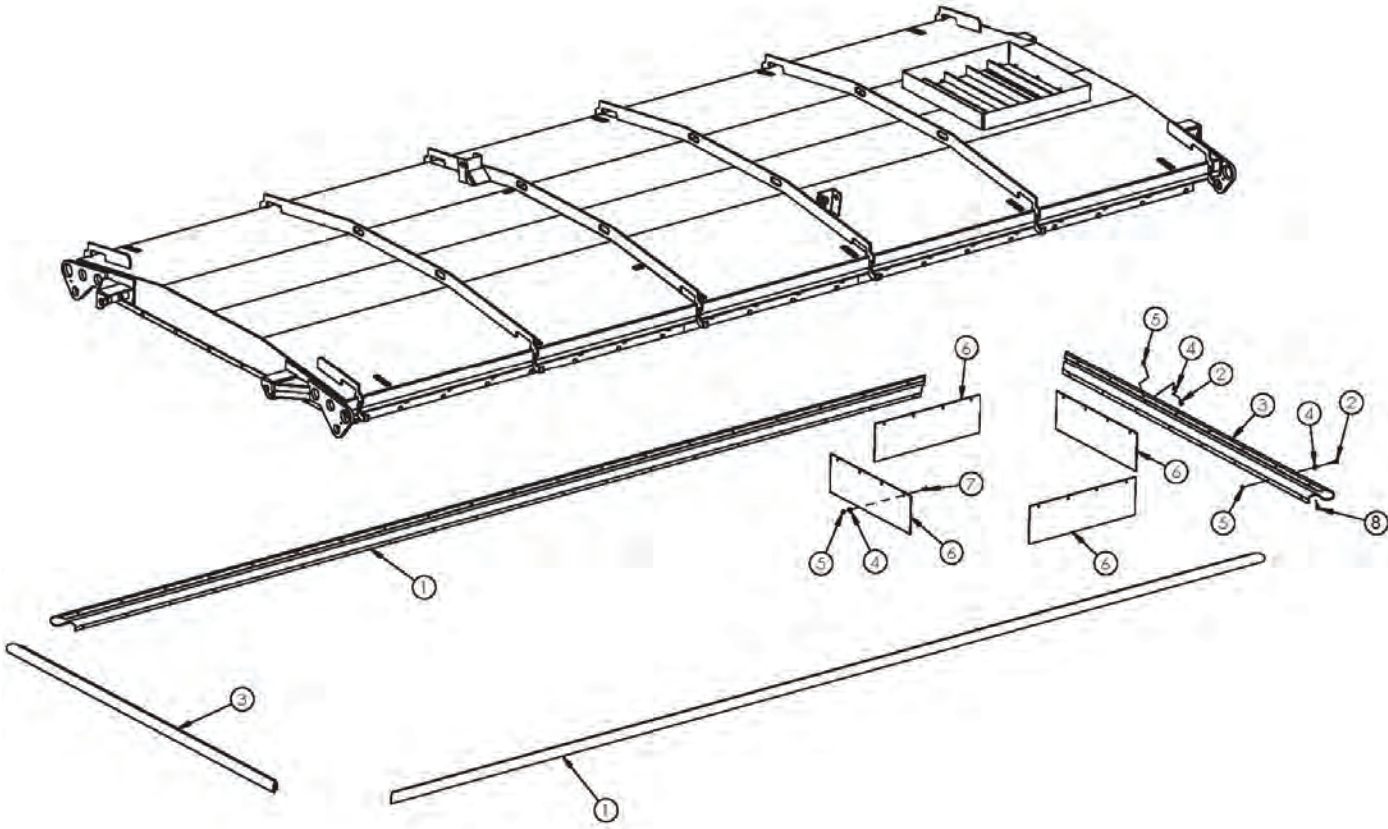
## COVER HYDRAULICS

REF #	PART #	DESCRIPTION	QTY
1	56070	HOSE, FCR TO RCB 351	1
2	56069	HOSE, VBR TO RCR 455	1
3	CHM206	06 90 DEG TO 3/4-16 ORB FITTING	10
4	1023	06-06 M/F ORIFICE, 0.047	1
5	1019	3.25 IN X 20 IN STROKE MASTER CYLINDER	1
*	8267	MASTER CYLINDER SEAL KIT	1
6	1020	STROKE SLAVE CYLINDER, 3 X 20	1
*	8266	SLAVE CYLINDER SEAL KIT	1
7	CHM202	3/8 MALE NPT TO -6 MALE JIC	1
8	CHM164	MALE ELBOW CTX 6-6 CTX	1
9	56067	HOSE, LOCK CYL ROD END 398"	1
10	56066	HOSE, LOCK CYL BASE END 387"	1
11	56N163	ENDGATE HINGE PIN	1
12	YPLY12010	LYNCH PIN, 3/8 X 1-3/4	1
13	T143	CYLINDER PIN	1
14	53371	CYLINDER PIN	2
15	BFR69A	HYD. CYLINDER, COMPLETE, 2 X 8	1
16	56568	CLAMP BOLT	13
17	CHM278	3/8 TWO LINE CLAMP BLOCK (SET OF 2)	15
*	56569	CLAMP BOLT, 5/16 X 1-3/4"	1
18	56563	COVER PLATE	15
19	CHM270	3/8 TWO HOSE CLAMP, COMPLETE	13
20	DWM205	QUICK COUPLING MALE	2
21	56068	HOSE, TRACTOR TO VALVE 58	2
22	YSHS10021	SCREW SOCKET HEAD CAP, 5/16-18 X 2-1/2	2
23	FR81	SOLENOID SELECTOR VALVE	1
24	63362	TOP SHOT LID COMPLETE CONTROL BOX	1
25	YBHH10097	BOLT HEX, 5/16 X 3 G5	2
26	YNNY10005	NUT HEX, NYLON LOCKNUT, 5/16-18	3





**FIGURE 22**  
**COVER SEAL**



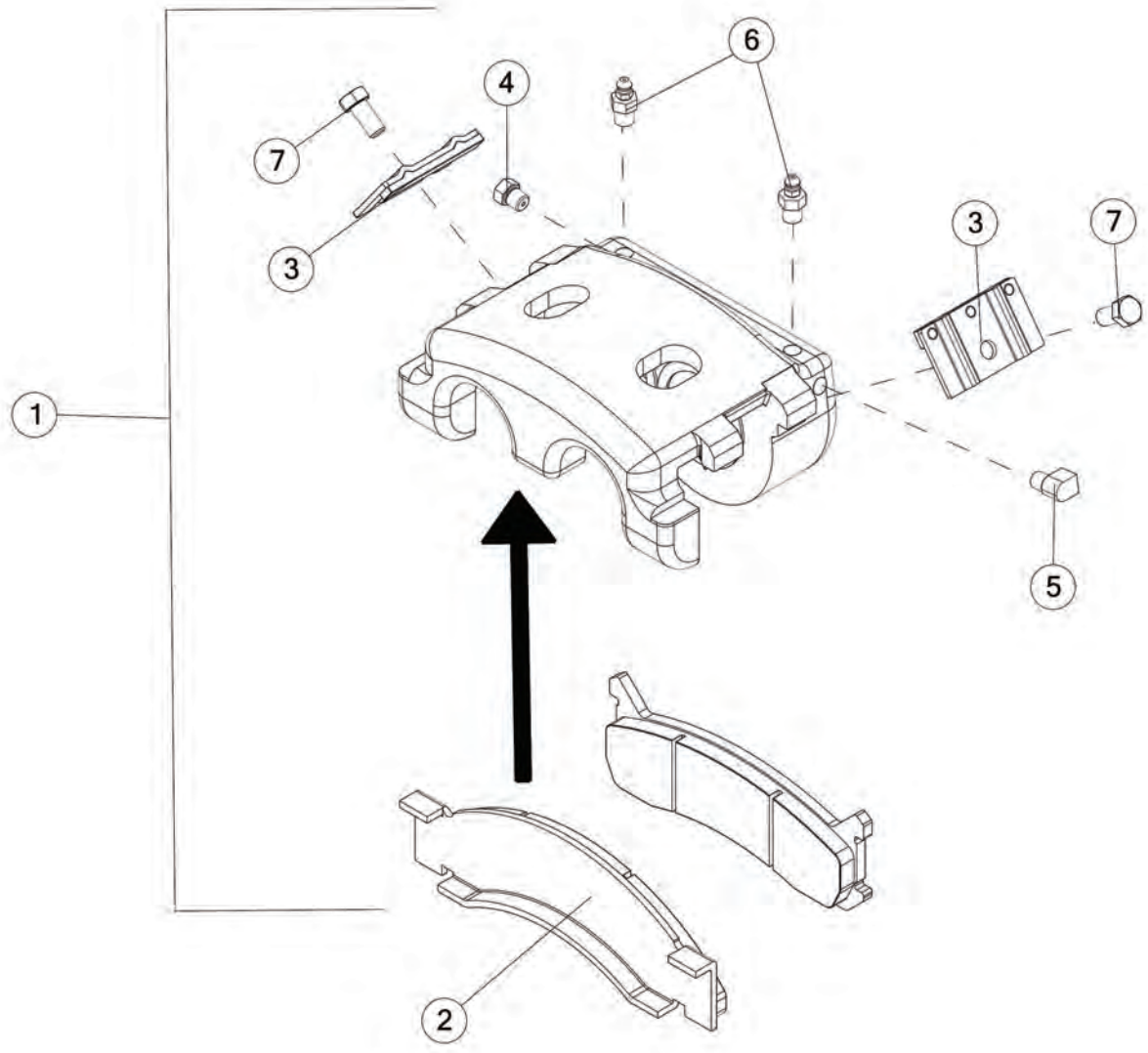


REF #	PART #	DESCRIPTION	QTY
1	52033	SEAL BELT, LONG	2
2	YBCR12010	BOLT CARRIAGE, 3/8 X 1 G5	56
3	0229MS02	SEAL BELT, SHORT	2
4	YWFL12005	WASHER FLAT, 3/8 G5	128
5	YNNY12005	NUT HEX, NYLON LOCKNUT, 3/8	128
6	0229MS05	BELTING, CHUTE	4
7	YBHH12010	BOLT HEX, 3/8 X 1 G5	16
8	YBCR12020	BOLT CARRIAGE, 3/8 X 1-1/4 G5	56





**FIGURE 23**  
OPTIONAL BRAKES

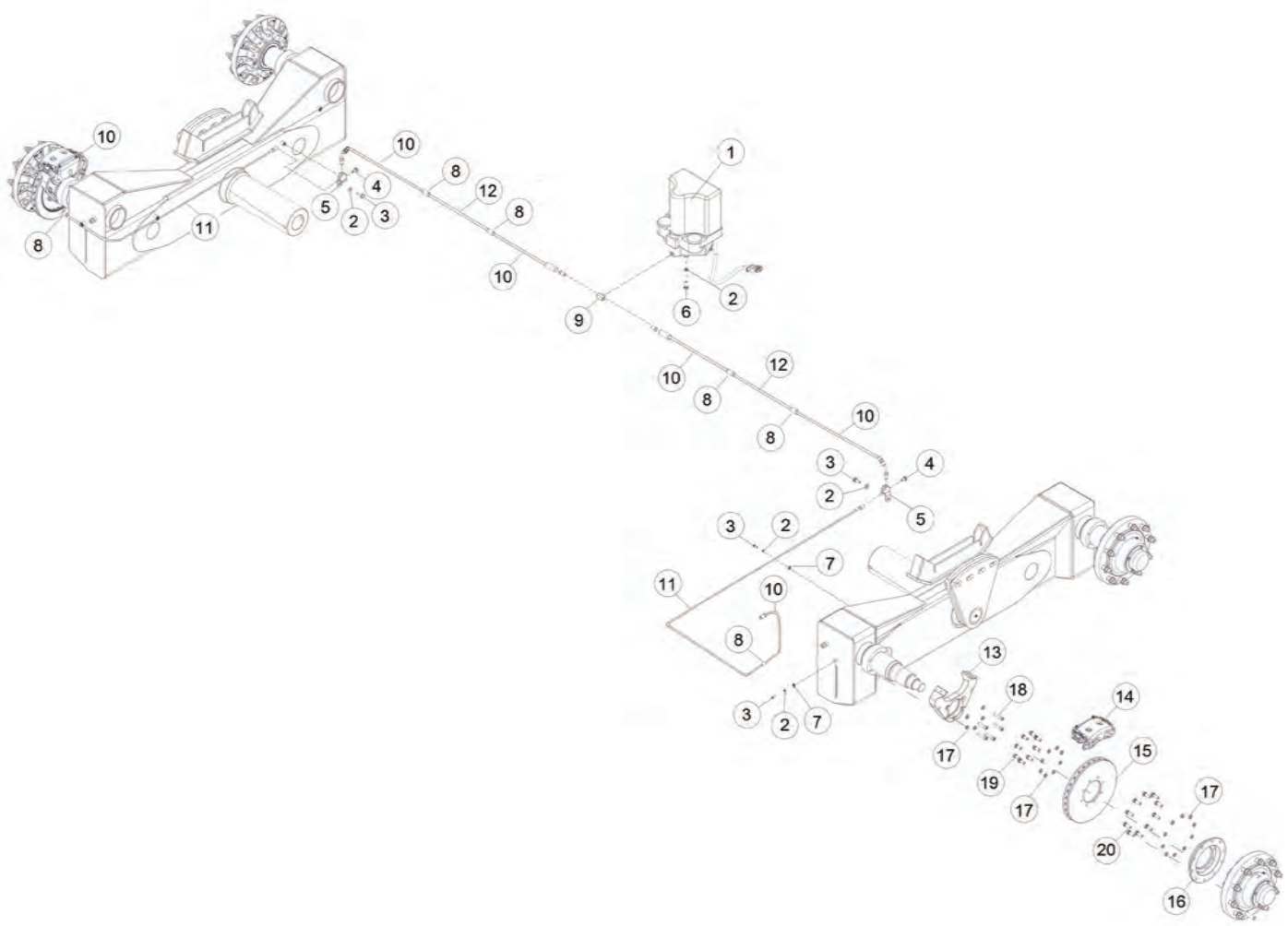


REF #	PART #	DESCRIPTION	QTY
1	56733	DUAL 2.50 PISTON CALIPER W/PADS & CLIPS	1
2	56961	BRAKE PAD SET	2
3	56963	CALIPER RETAINING CLIP	2
4	57178	BRASS 1/8 NPT PLUG	1
5	57180	ADAPTER PORT 90 DEG. 1/8 NPT TO 3/16 FIF	1
6	57179	BRASS BLEED PORT	2
7	YBHH12135	BOLT HEX, 3/8-16 X 3/4 G5	2





# FIGURE 23 OPTIONAL BRAKES









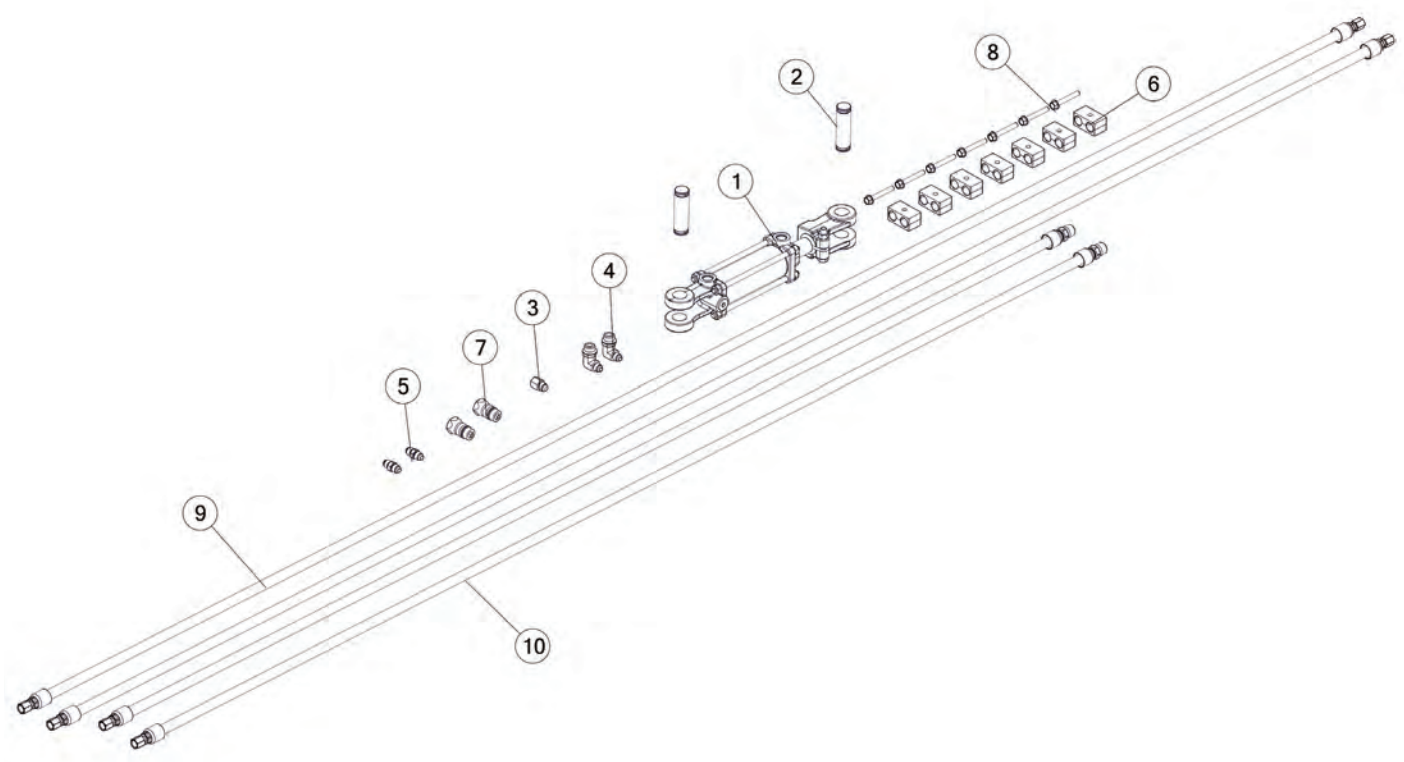
**FIGURE 23**  
OPTIONAL BRAKES







# FIGURE 24 DISCHARGE DEFLECTOR HYDRAULIC

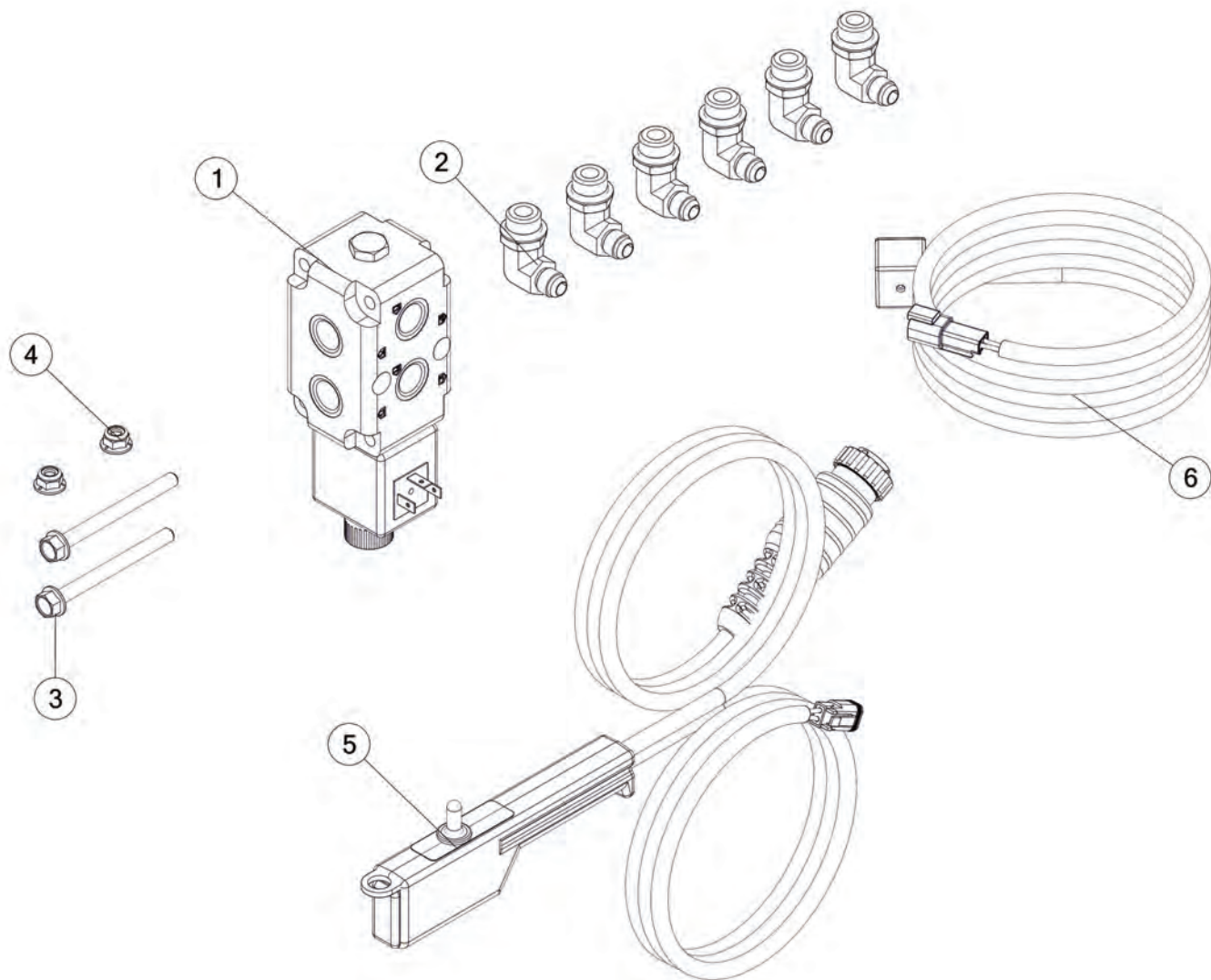








**FIGURE 25**  
**ELECTRIC VALVE FOR DISCHARGE**  
**DEFLECTOR HYDRAULIC CYLINDER**









# H&S MFG. CO.

products approved

for the

FEMA

## SEAL OF QUALITY



Manufactured by:

**H&S MANUFACTURING CO., INC.**

2608 S. HUME AVE. MARSHFIELD, WI 54449

(715) 387-3414 | [hsmfgco.com](http://hsmfgco.com)

