



6116

FLEX-FRAME RAKE

PARTS BOOK

Part # 71355 HSMFG060822 Rev. #08 Starting Ser. #221FF16011

STRONG HERITAGE - STRONG PEOPLE - STRONGER FUTURE

CONTENTS

Instructions for Ordering Parts - About Improvements	1
Figure 1 - Main Frame Front	2-3
Figure 2 - Main Frame Middle	4-5
Figure 3 - Main Frame Rear	6-7
Figure 4 - Rear Frame & Axle Assembly	8-9
Figure 5 - Right Caster	10-11
Figure 6 - Left Caster	12-13
Figure 7 - Right & Left Front Rake Beams	14-15
Figure 8 - Right & Left Back Rake Beams	16-17
Figure 9 - U-Joint Assembly	18-19
Figure 10 - Rake Wheel Assembly	20-21
Figure 11 - Hydraulics	22-23
Figure 12 - Lift Cylinder	24-25
Figure 13 - Optional Hydraulic Rear Opening Cylinder	26-27
Figure 14 - Optional Tandem Axle	28-29
Figure 15 - Wind Guard	30-31
Figure 16 - Optional Lighting	32-33
Figure 17 - Optional Kicker Wheel.	34-39
Figure 18 - Optional Bumper Kit.	40-41
Figure 19 - Optional 2 Point Hitch.	42-43
Parts Notes	44

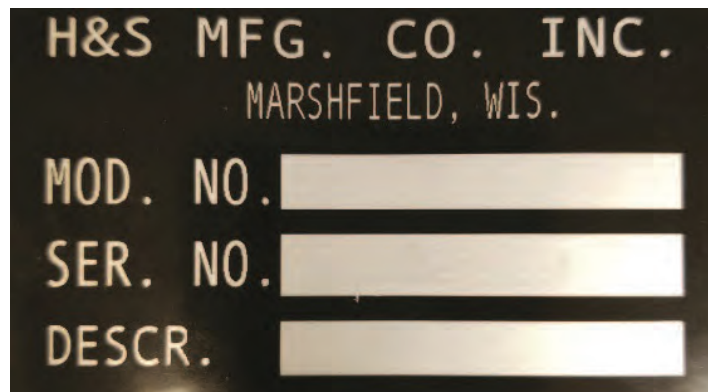
INSTRUCTIONS FOR ORDERING PARTS

All service parts should be ordered through your authorized H&S dealer. He will be able to give you faster service if you will provide them with the following:

1. Model & Serial Number - Both can be located on the side of the center bearing post above jack mount.
2. All references to left or right apply to the machine as viewed from the rear.
3. Parts should not be ordered from illustration only. Please order complete part number.
4. If your dealer has to order parts - give shipping instructions:

VIA truck - large pieces (please specify local truck lines)

VIA United Parcel Service (include full address)



PLEASE RECORD NUMBERS FOR YOUR UNIT FOR QUICK REFERENCE

ABOUT IMPROVEMENTS

H&S IS CONTINUALLY STRIVING TO IMPROVE IT'S PRODUCTS

We must therefore, reserve the right to make improvements or changes whenever it becomes practical to do so, without incurring any obligation to make changes or additions to the equipment previously sold.

FIGURE 1 MAIN FRAME FRONT

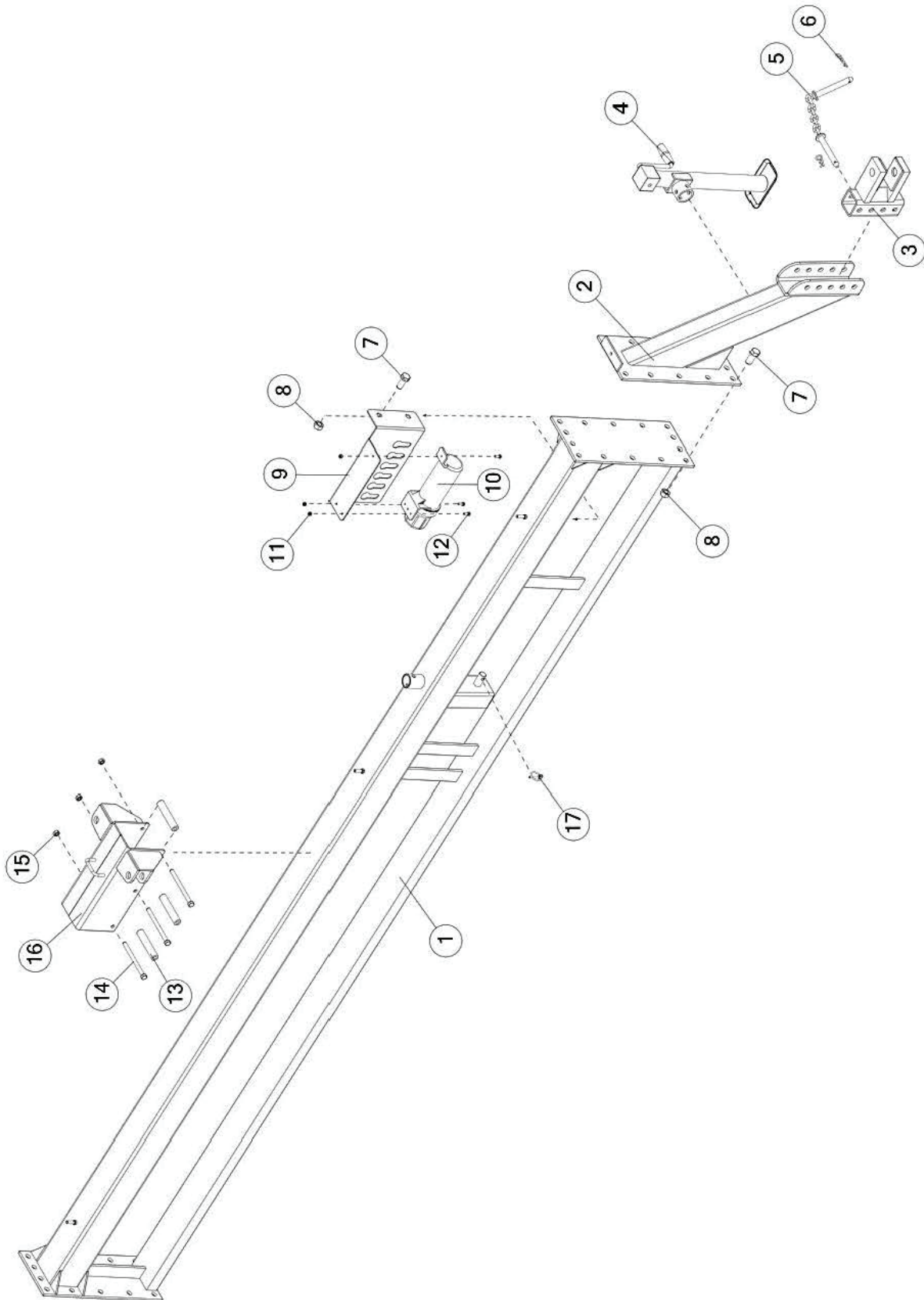


FIGURE 1

MAIN FRAME FRONT

<u>ITEM</u>	<u>QTY</u>	<u>PART#</u>	<u>DESCRIPTION</u>
1	1	67198	POLE FRONT
2	1	68972	HITCH RECEIVER
*	1	SC10100	SAFETY CHAIN 10,100 LB
3	1	HD83	HITCH CLEVIS
4	1	BFR753A	SIDEWIND JACK
5	1	87599	HITCH PIN
6	2	YPHR02010	HAIR PIN
7	14	YBHH24014	BOLT HEX, 3/4 X 1-3/4 G5
8	14	YNL24005	NUT HEX, TOP LOCK, 3/4
9	1	60269	HOSE HOLDER
10	1	S522	MANUAL HOLDER
11	3	YNNY08005	NUT HEX, NYLON LOCKNUT, 1/4
12	3	YBHH08100	BOLT HEX, 1/4 X 3/4 G5
13	3	68831	SLIDER ROLLER BACK
14	3	YBHH16175	BOLT HEX, 1/2 X 6-1/2 G5
15	3	YNL16005	NUT HEX, TOP LOCK, 1/2
16	1	67253	LINKAGE FRONT
17	1	YPLY12010	SLIDER LYNCH PIN, 3/8 X 1-3/4
*	1	78464	HITCH EXTENSION

*MEANS NOT SHOWN

FIGURE 2 MAIN FRAME MIDDLE

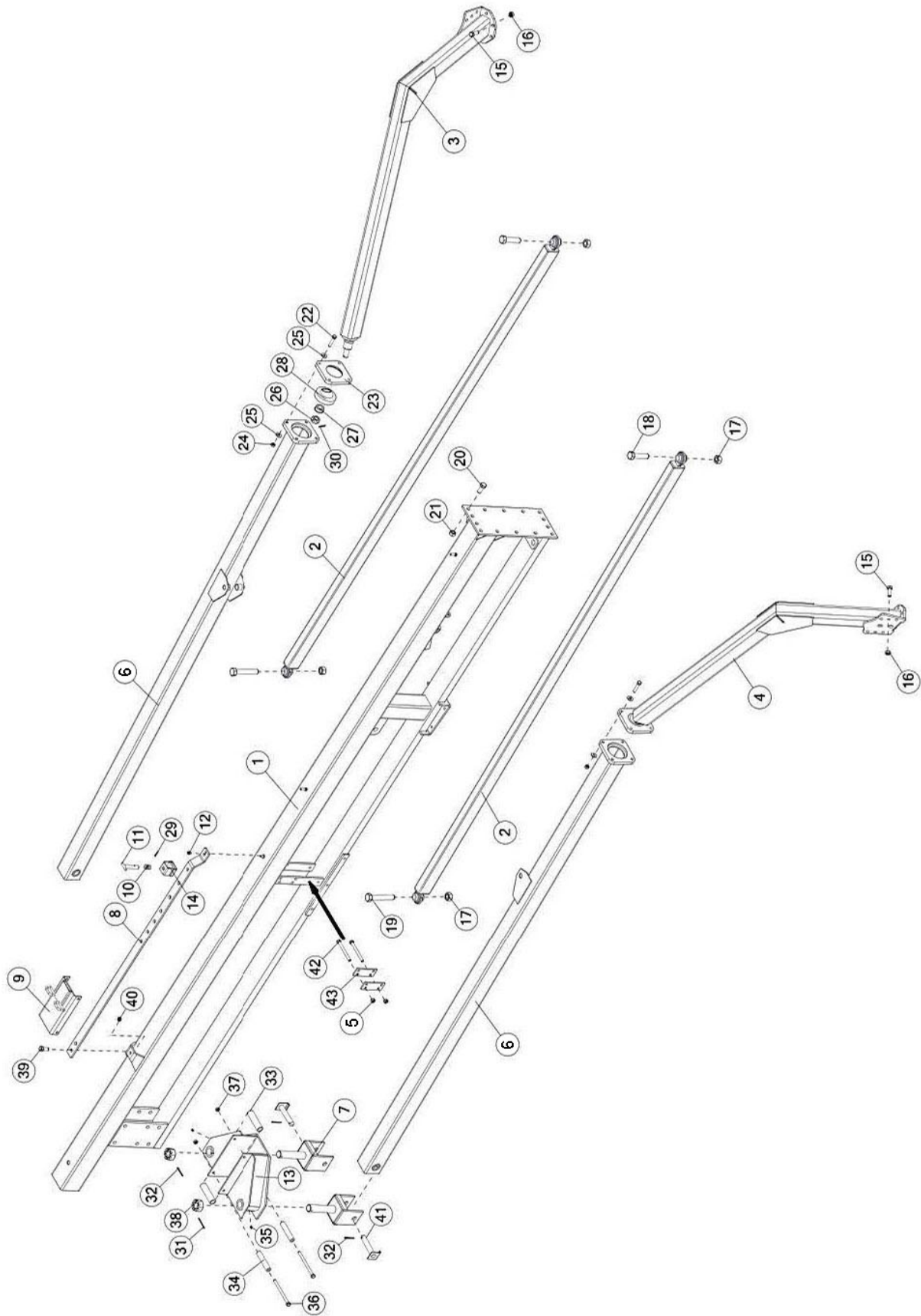


FIGURE 2

MAIN FRAME MIDDLE

<u>ITEM</u>	<u>QTY</u>	<u>PART#</u>	<u>DESCRIPTION</u>
1	1	67167	POLE BACK
2	2	BFR458	LINKAGE FRONT
3	1	58352	ARM LH
4	1	58353	ARM RH
5	2	YNRL16005	NUT HEX, REVERSIBLE-SIDE LOCK, 1/2
6	2	69122	LINKAGE YOKE BACK LH W/DECALS
7	2	BFR476	LINKAGE YOKE BACK RH
8	1	67416	WIDTH ADJUSTMENT BAR
9	1	68832	WIDTH ADJUSTMENT STOP
10	1	BFR240	SPRING
11	1	BFR241	ADJUSTMENT HANDLE
12	1	YBFL10002	BOLT FLANGE, 3/4 X 4 G8
13	1	68834	LINKAGE SLIDER REAR
14	1	BFR239	SLEEVE LOCK ADJUSTMENT
15	10	YBHH20020	BOLT HEX, 5/8 X 1-3/4 G5
16	10	YNL20005	NUT HEX, TOP LOCK, 5/8
17	4	YNL32005	NUT HEX, TOP LOCK, 1
18	2	YBHH32015	BOLT HEX, 1 X 4 G5
19	2	YBHH32025	BOLT HEX, 1 X 6 G5
20	14	YBHH24014	BOLT HEX, 3/4 X 1-3/4 G5
21	14	YNL24005	NUT HEX, TOP LOCK, 3/4
22	8	YBHH16080	BOLT HEX, 1/2 X 2-1/2 G5
23	2	58287	BEARING SUPPORT
24	8	YNL16006	NUT HEX, TOP LOCK, 1/2
25	16	YWFL16005	WASHER FLAT, 1/2
26	2	YNL28005	NUT HEX, SLOTTED, 7/8 G2
27	2	58301	BALL SPACER
28	2	58409	PITCH ROD BALL PIN
29	1	YPCT05005	COTTER PIN, 5/32 X 1
30	2	YPCT05020	COTTER PIN, 5/32 X 1-3/4
31	1	YPCT05035	COTTER PIN, 5/32 X 2-1/2
32	3	YPCT06020	COTTER PIN, 3/16 X 2
33	2	68829	SLIDER ROLLER REAR
34	2	68831	TUBE
35	2	G89	STRAIGHT ZERK, 1/4 X 90
36	2	YBHH16180	BOLT HEX, 1/2 X 7 G5
37	2	YNL16005	NUT HEX, TOP LOCK, 1/2
38	2	YNL40005	NUT HEX, SLOTTED, 1-1/2
39	1	YBHH20010	BOLT HEX, 5/8 X 1-1/2 G5
40	1	YNL16006	NUT HEX, TOP LOCK, 1/2
41	2	BFR479	PINE, PIVOT YOKE SHAFT
42	2	YBHH16160	BOLT HEX, 1/2 X 5-1/2 G5
43	2	58692	CYL SPACER

FIGURE 3
MAIN FRAME REAR

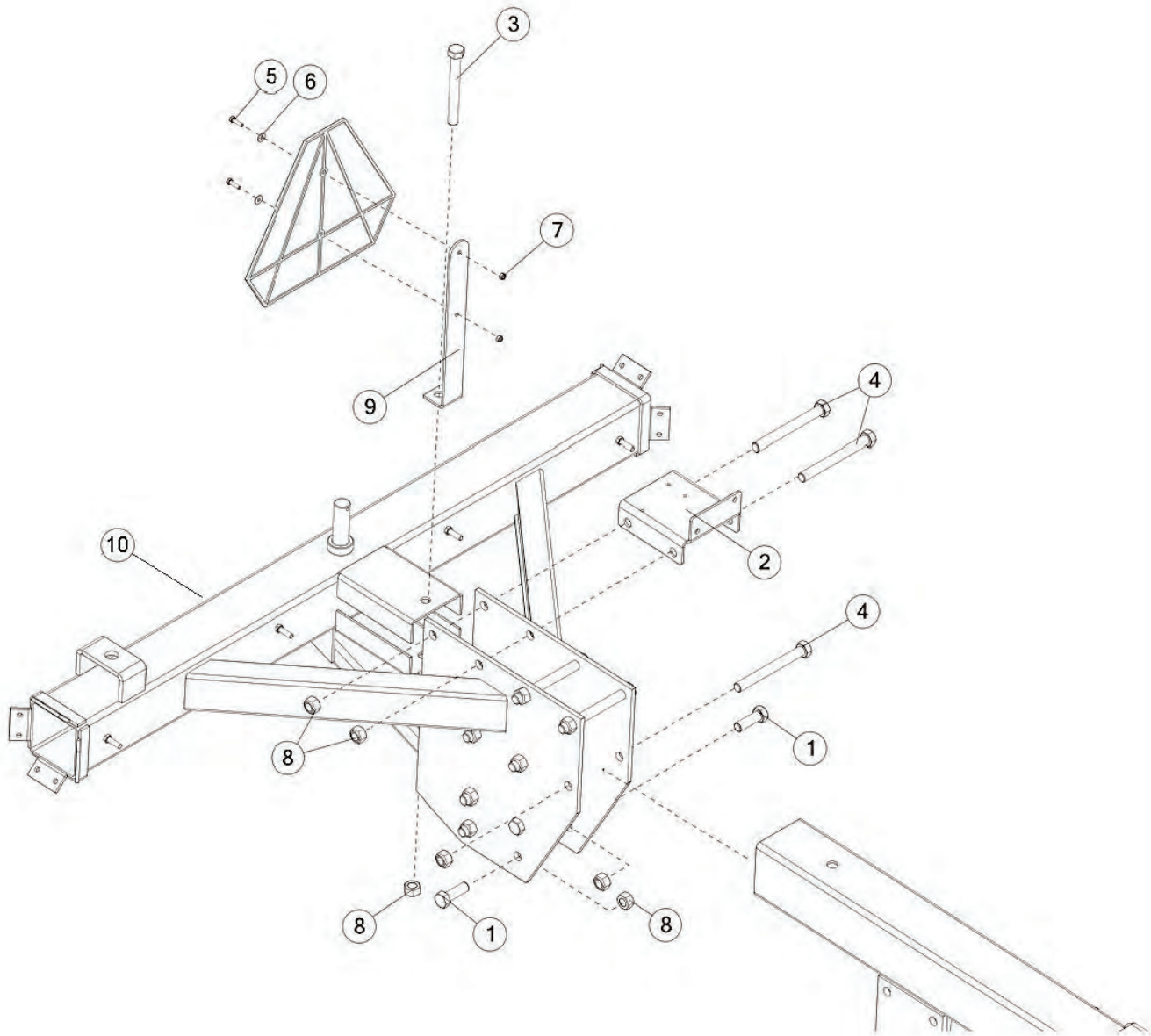


FIGURE 3
MAIN FRAME REAR

<u>ITEM</u>	<u>QTY</u>	<u>PART#</u>	<u>DESCRIPTION</u>
1	4	YBHH24035	BOLT HEX, 3/4 X 2-1/4 G5
2	1	67205	PLATE
3	1	YBHH24095	BOLT HEX, 3/4 X 6-1/2 G5
4	10	YBHH24100	BOLT HEX, 3/4 X 7 G5
5	2	YBHH08010	BOLT HEX, 1/4 X 1 G5
6	2	YWFL08005	WASHER FLAT, 1/4
7	2	YNNY08005	NUT HEX, NYLON LOCKNUT, 1/4
8	14	YNTL24005	NUT HEX, TOP LOCK, 3/4
9	1	63408	SMV BRACKET
10	1	67152	REAR FRAME ASSEMBLY

FIGURE 4 REAR FRAME & AXLE ASSEMBLY

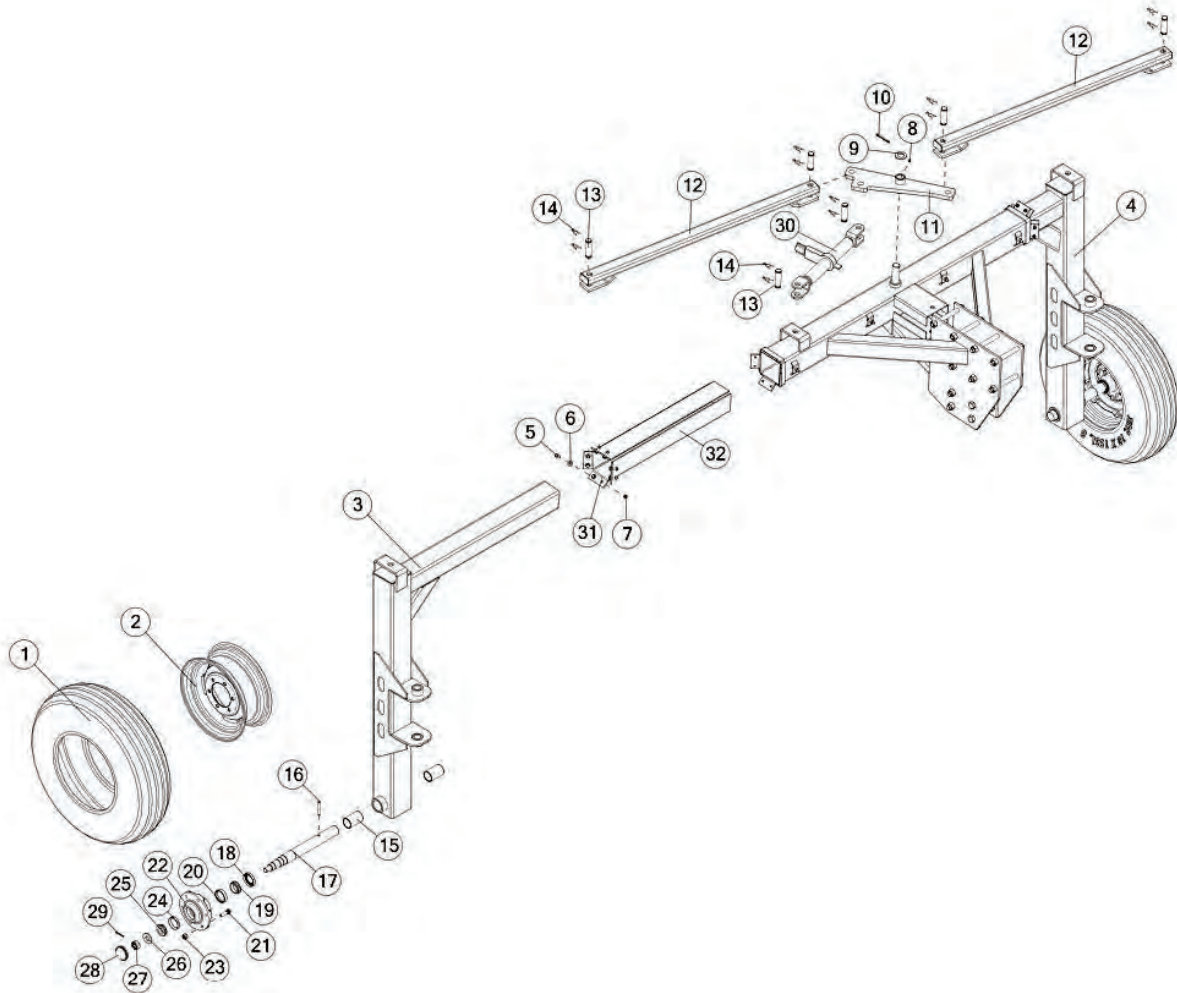


FIGURE 4

REAR FRAME & AXLE ASSEMBLY

<u>ITEM</u>	<u>QTY</u>	<u>PART#</u>	<u>DESCRIPTION</u>
1	2	UR1	9.5L X 15 8 PLY TIRE & TUBE
2	2	RG127	WHEEL, 15 X 6, 6 BOLT
3	1	67169	UPRIGHT RH
4	1	67166	UPRIGHT LH
5	8	YBHH10010	BOLT HEX, 5/16 X 1
6	8	YWFL10005	WASHER FLAT, 5/16
7	8	YNL10005	NUT HEX, TOP LOCK, 5/16
8	1	G89	STRAIGHT ZERK 1/4 X 90
9	1	BFR229	WASHER, SHIM
10	1	YPCT08010	COTTER PIN, 1/4 X 2-1/2
11	1	HD8	CAM ARM
12	2	FR9	CYLINDER LINK
13	6	T143	HYD CYLINDER PIN
14	12	53371	CYLINDER PIN
15	2	58275	BUSHING BRONZE
16	2	YPEX12025	EXPANSION PIN, 3/8 X 2-3/4
17	2	FR55	BACK SPINDLE 1-3/4 X 17-1/2
18	2	12N17	GREASE SEAL
19	2	12N18	TAPER BEARING
20	2	12N19	INNER RACE
21	12	YBSD16005	BOLT STUD, 1/2 X 1-7/8 (3/8 SHOULDER)
22	2	58401	HUB
23	12	YNWL16005	NUT WHEEL, 1/2 G5
24	2	17G146	OUTER RACE
25	2	17G145	TAPERED BEARING
26	2	HD200	ROAD WHEEL SPINDLE WASHER
27	2	YNL28005	NUT HEX, SLOTTED, 7/8
28	2	17G144	HUB CAP
29	2	YPCT05010	COTTER PIN 5/32 X 1-1/2
30	1	T138	RATCHET JACK W/ HANDLE
31	4	68966	PLATE
32	4	68967	PLATE

FIGURE 5
RIGHT CASTER

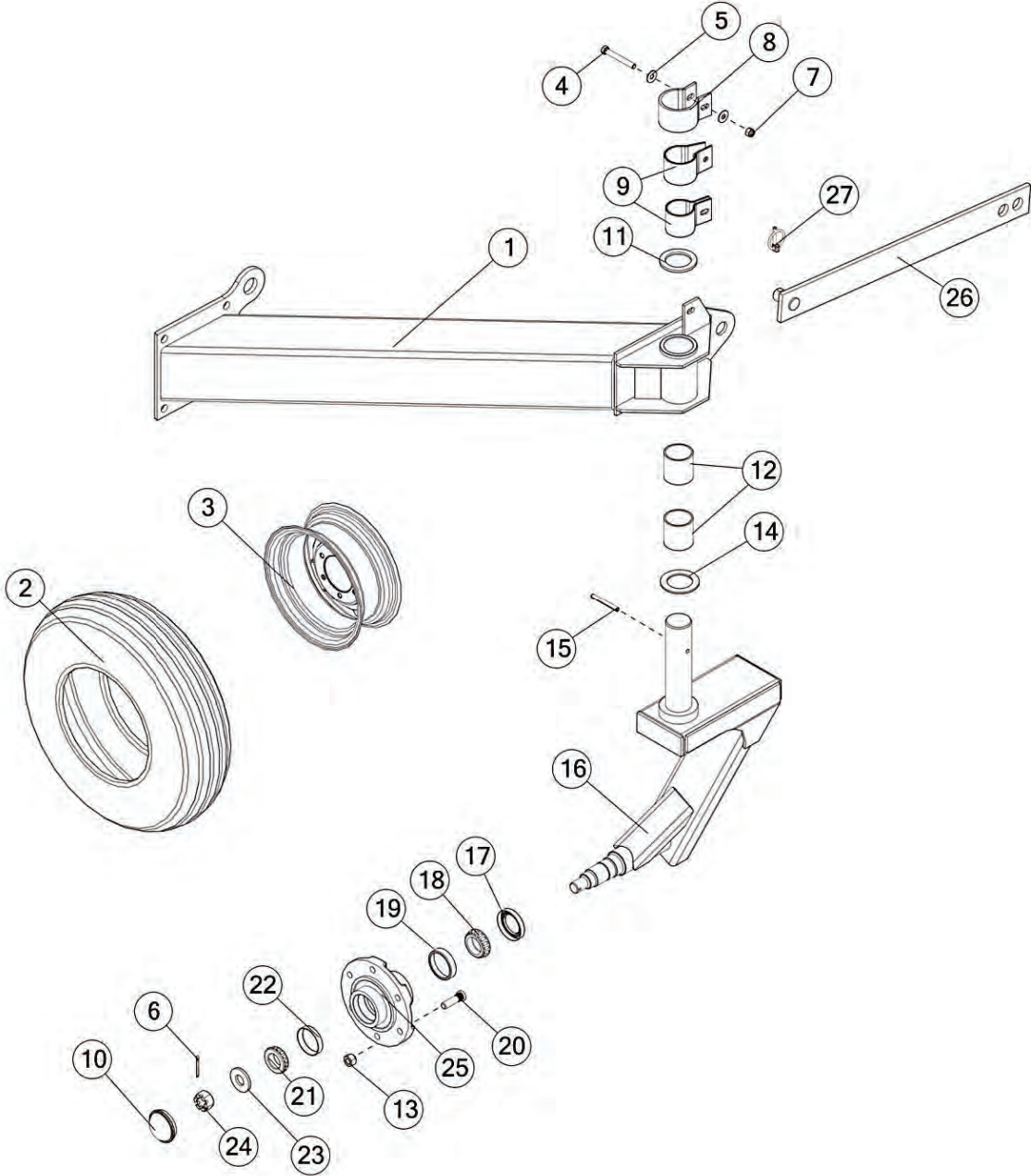


FIGURE 5 RIGHT CASTER

<u>ITEM</u>	<u>QTY</u>	<u>PART#</u>	<u>DESCRIPTION</u>
1	1	67189	STANDOFF RH
2	2	UR1	9.5L X 15 8 PLY TIRE & TUBE
3	2	RG127	WHEEL 15 X 6, 6 BOLT
*	2	53854	WHEEL & TIRE ASSEMBLY
4	2	YBHH12125	BOLT HEX, FT, 3/8 X 3 G5
5	4	YWFL12005	WASHER FLAT, 3/8
6	2	YPCT05010	COTTER PIN, 5/32 X 1-1/2
7	2	YNNY12005	NUT HEX, 3/8 G5
8	2	BFR311	BRAKE COLLAR
9	4	BFR310	BRAKE PAD
10	2	17G144	HUB CAP
11	2	BFR309	GAUGE WHEEL WASHER
12	4	RG26	STEEL BUSHING
13	12	YNWL16005	NUT WHEEL, 1/2 G5
14	2	RG24	WASHER, THRUST, BRONZE
15	2	YPEX10025	EXPANSION PIN, 5/16 X 2-3/4
16	2	81647	CASTER RH
17	2	12N17	SEAL
18	2	12N18	TAPRE BEARING, KOYO
19	2	12N19	INNER RACE
20	12	YBSD16005	BOLT, STUD, 1/2 X 1-7/8 X 3/8 G5
21	2	17G145	TAPERED BEARING, KOYO
22	2	17G146	OUTER RACE
23	2	HD200	ROAD WHEEL SPINDLE WASHER
24	2	YNSL28005	NUT SLOT, 7/8 G2
25	2	RG101	HUB W/RACES AND STUDS, KOYO
26	1	58362	TRANSPORT LOCK BAR
27	1	YPLY12010	LYNCH PIN, 3/8 X 1-3/4

*MEANS NOT SHOWN

FIGURE 6 **LEFT CASTER**

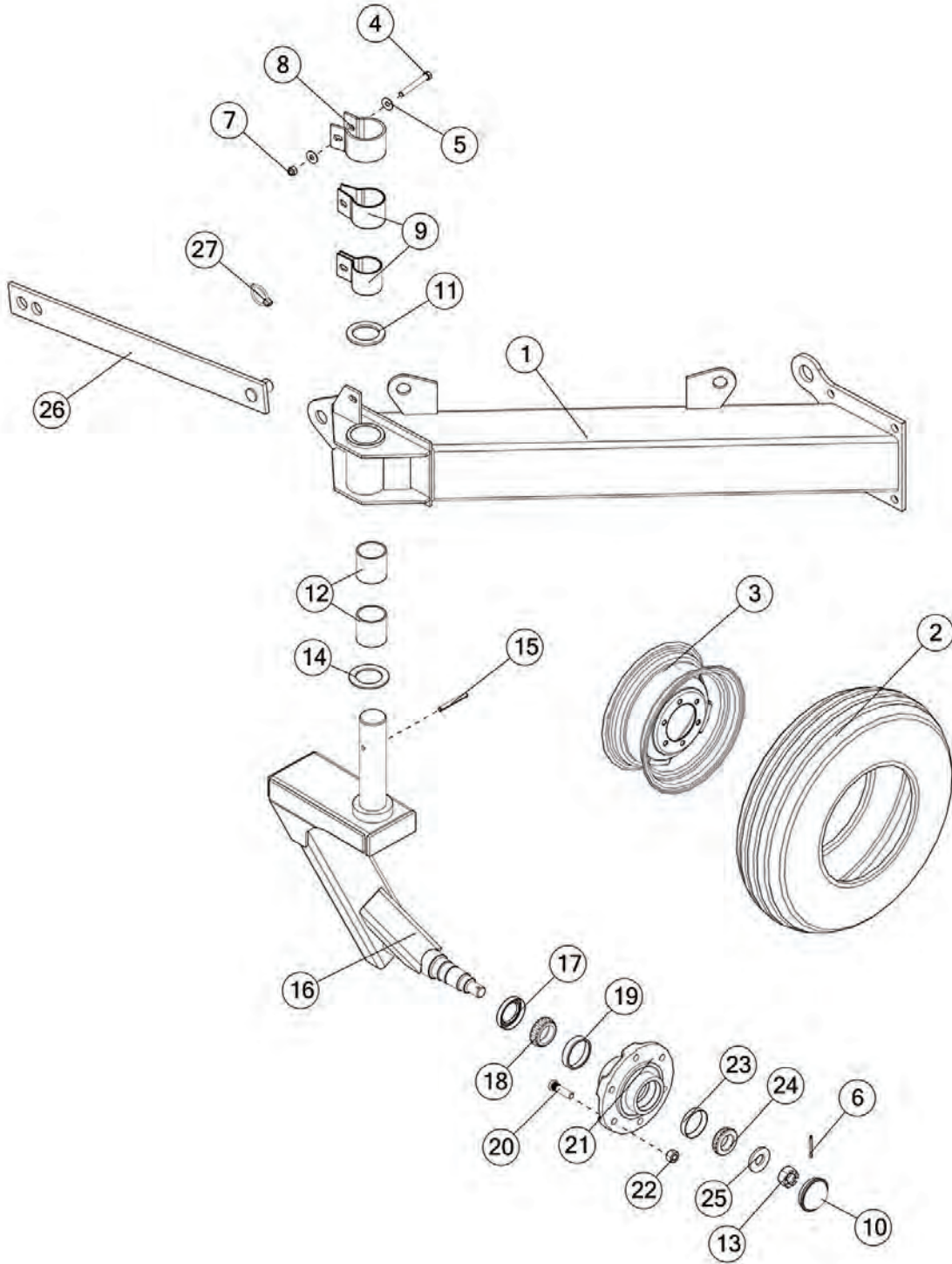


FIGURE 6 LEFT CASTER

<u>ITEM</u>	<u>QTY</u>	<u>PART#</u>	<u>DESCRIPTION</u>
1	1	68878	STANDOFF LH
2	2	UR1	9.5L X 15 8 PLY TIRE & TUBE
3	2	RG127	WHEEL 15 X 6, 6 BOLT
*	2	53854	WHEEL & TIRE ASSEMBLY
4	2	YBHH12125	BOLT HEX, 3/8 X 3 G5
5	4	YWFL12005	WASHER FLAT, 3/8
6	2	YPCT05010	COTTER PIN, 5/32 X 1-1/2
7	2	YNNY12005	NUT HEX, NYLON LOCKNUT, 3/8
8	2	BFR311	BRAKE COLLAR
9	4	BFR310	BRAKE PAD
10	2	17G144	HUB CAP
11	2	BFR309	GAUGE WHEEL WASHER
12	4	RG26	STEEL BUSHING
13	2	YNSL28005	NUT SLOT, 7/8 G2
14	2	RG24	BRONZE WASHER THRUST
15	2	YPEX10025	EXPANSION PIN, 5/16 X 2-3/4
16	2	81646	CASTER LH
17	2	12N17	SEAL
18	2	12N18	INNER BEARING
19	2	12N19	INNER RACE
20	12	YBSD16005	STUD BOLT, 1/2 X 1-7/8
21	2	RG101	HUB W/RACES & STUDS
22	12	YNWL16005	WHEEL NUT, 1/2
23	2	12N25	OUTER BEARING
24	2	12N21	OUTER RACE
25	2	HD200	ROAD WHEEL SPINDLE WASHER
26	1	58362	TRANSPORT LOCK BAR
27	1	YPLY12010	LYNCH PIN, 3/8 X 1-3/4

*MEANS NOT SHOWN

FIGURE 7 **RIGHT & LEFT FRONT RAKE BEAMS**

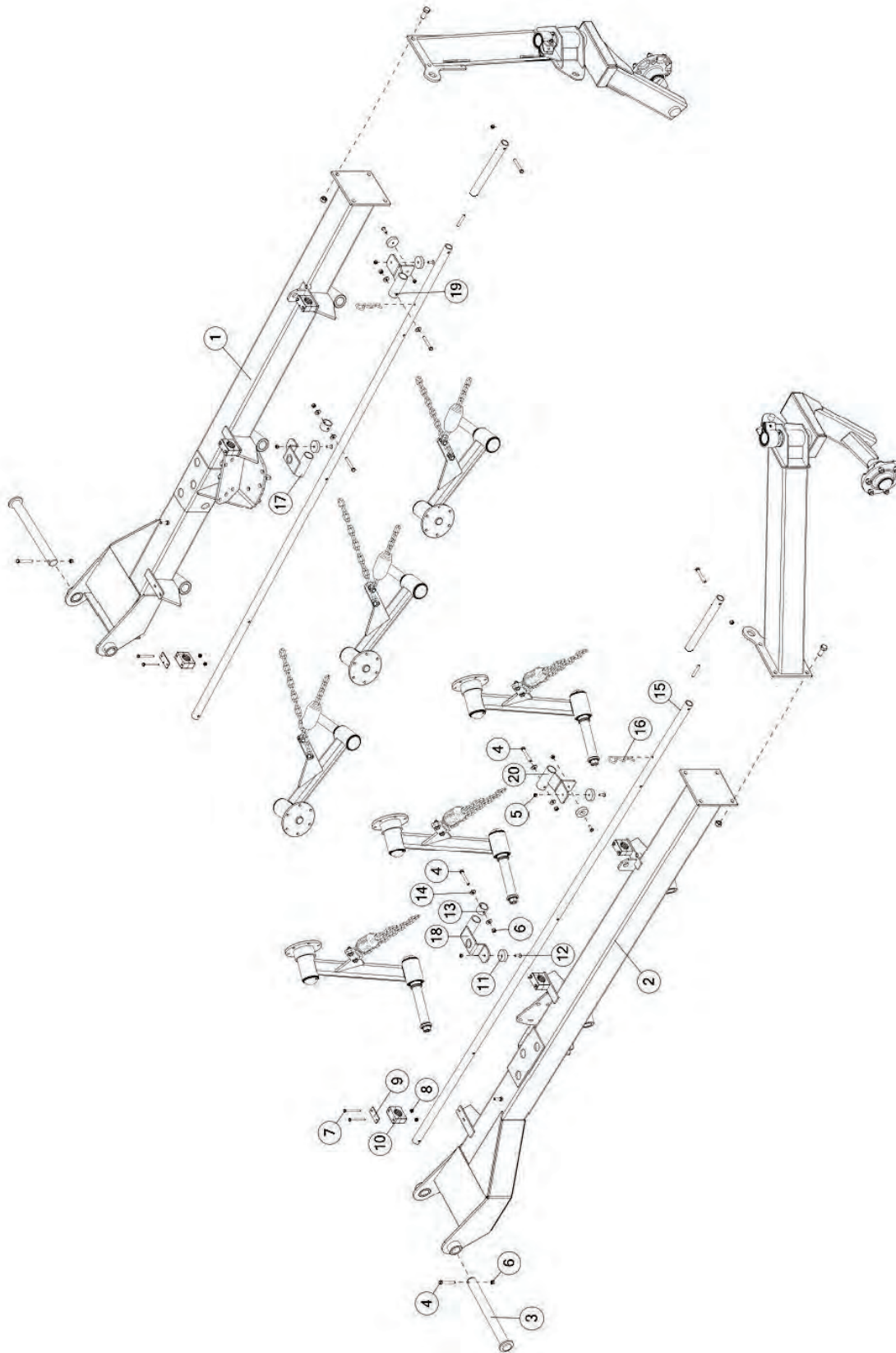


FIGURE 7

RIGHT & LEFT FRONT RAKE BEAMS

<u>ITEM</u>	<u>QTY</u>	<u>PART#</u>	<u>DESCRIPTION</u>
1	1	67176	RAKE BEAM FRONT LH
2	1	67188	RAKE BEAM FRONT RH
3	2	67234	PIVOT PIN
4	6	YBHH12110	BOLT HEX, 3/8 X 2-3/4 G5
5	8	YNTL10005	NUT HEX, TOP LOCK, 5/16
6	4	YNTL12005	NUT HEX TOP LOCK, 3/8
7	12	YBHH08085	BOLT HEX, 1/4 X 3 G5
8	12	YNFG08005	HEX NUT, FLANGED, TOP LOCK, 1/4
9	6	56566	CLAMP TOP PLATE
10	6	69113	HOSE CLAMP CUSHION TUBE 1-1/2
11	6	FR51	SLIDER PAD
12	6	YSFS10005	SCREW, FLAT HEAD, SOCKET CAP, 5/16 X 1
13	2	FR50	SLIDE STOP
14	8	YWFL12005	WASHER FLAT, 3/8
15	2	71234	LIFT PIPE FRONT
16	2	YPHR08040	HAIR PIN, 1/4 X 5
17	1	FR31	PIPE LIFTER LH
18	1	FR32	PIPE LIFTER RH
19	1	FR39	PIPE STABILIZER LH
20	1	FR40	PIPE STABILIZER RH

FIGURE 8
RIGHT & LEFT BACK RAKE BEAMS

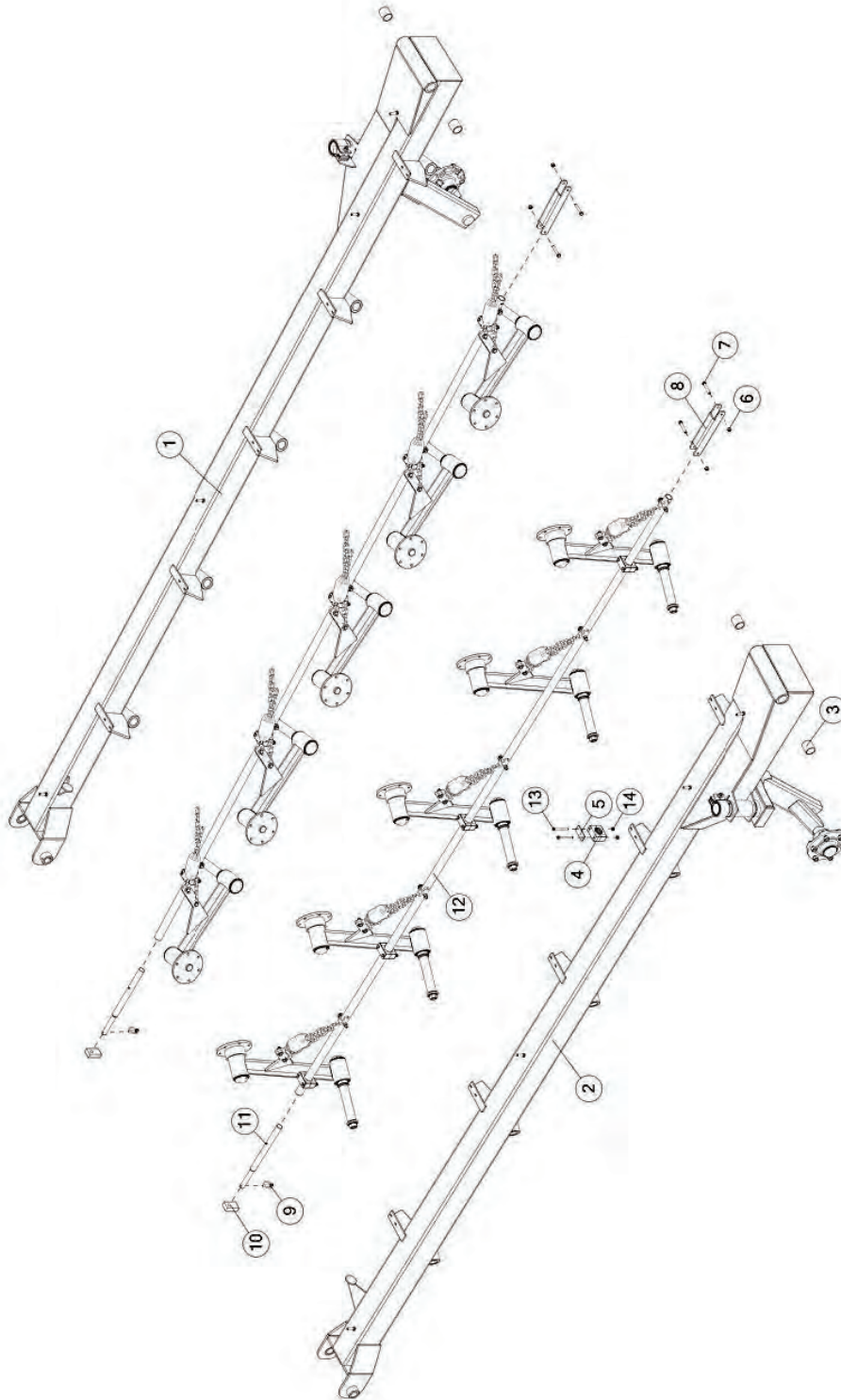


FIGURE 8
RIGHT & LEFT BACK RAKE BEAMS

<u>ITEM</u>	<u>QTY</u>	<u>PART#</u>	<u>DESCRIPTION</u>
1	1	72448	BEAM REAR LH
2	1	72463	BEAR REAR RH
3	4	FR83	IRON BUSHING
4	8	69113	HOSE CLAMP CUSHION TUBE 1-1/2
5	8	56566	CLAMP TOP PLATE
6	4	YNL12005	NUT HEX, TOP LOCK, 3/8
7	4	YBHH12105	BOLT HEX, 3/8 X 2-1/4 G5
8	2	58392	PIPE LINKAGE
9	2	YPLY08011	LYNCH PIN, 1/4 X 1-9/16
10	2	64103	RAKE PRESSURE HANDLE
11	2	BFR486	RAKE ARM LOCK-UP SHAFT
12	2	68848	PIPE
13	16	YBHH08085	BOLT HEX, 1/4 X 3 G5
14	16	YNFG08005	NUT HEX, FLANGED, TOP LOCK, 1/4

FIGURE 9
U-JOINT ASSEMBLY

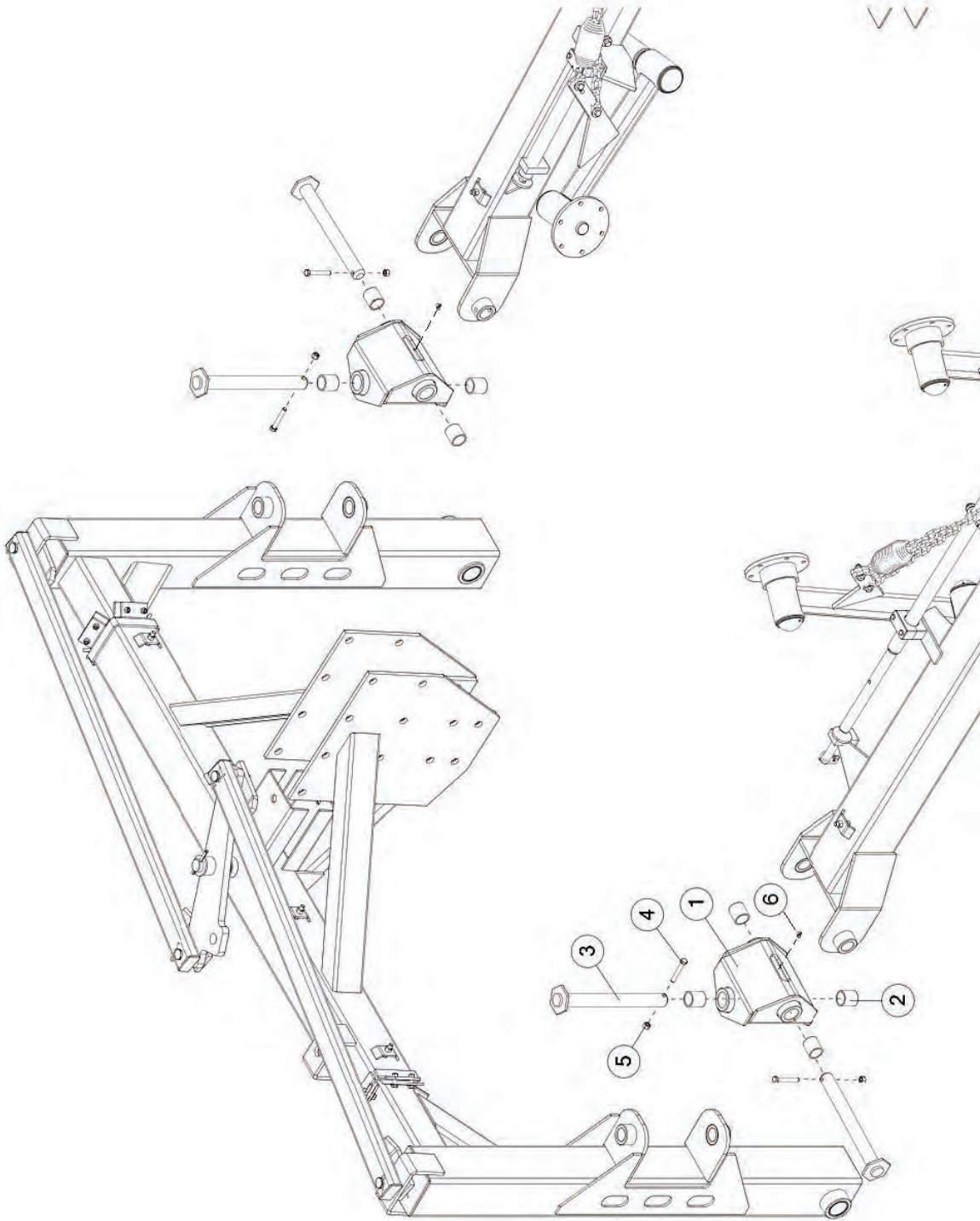


FIGURE 9
U-JOINT ASSEMBLY

<u>ITEM</u>	<u>QTY</u>	<u>PART#</u>	<u>DESCRIPTION</u>
1	2	72443	BEAM, U JOINT
2	8	RG132	BUSHING
3	4	67217	U JOINT PIN
4	4	YBHH12090	BOLT HEX, 3/8 X 2-1/2 G5
5	4	YNL12005	NUT HEX, TOP LOCK, 3/8
6	4	DWM133	1/8 PIPE - 45 DEGREE ZERK

FIGURE 10 RAKE WHEEL ASSEMBLY

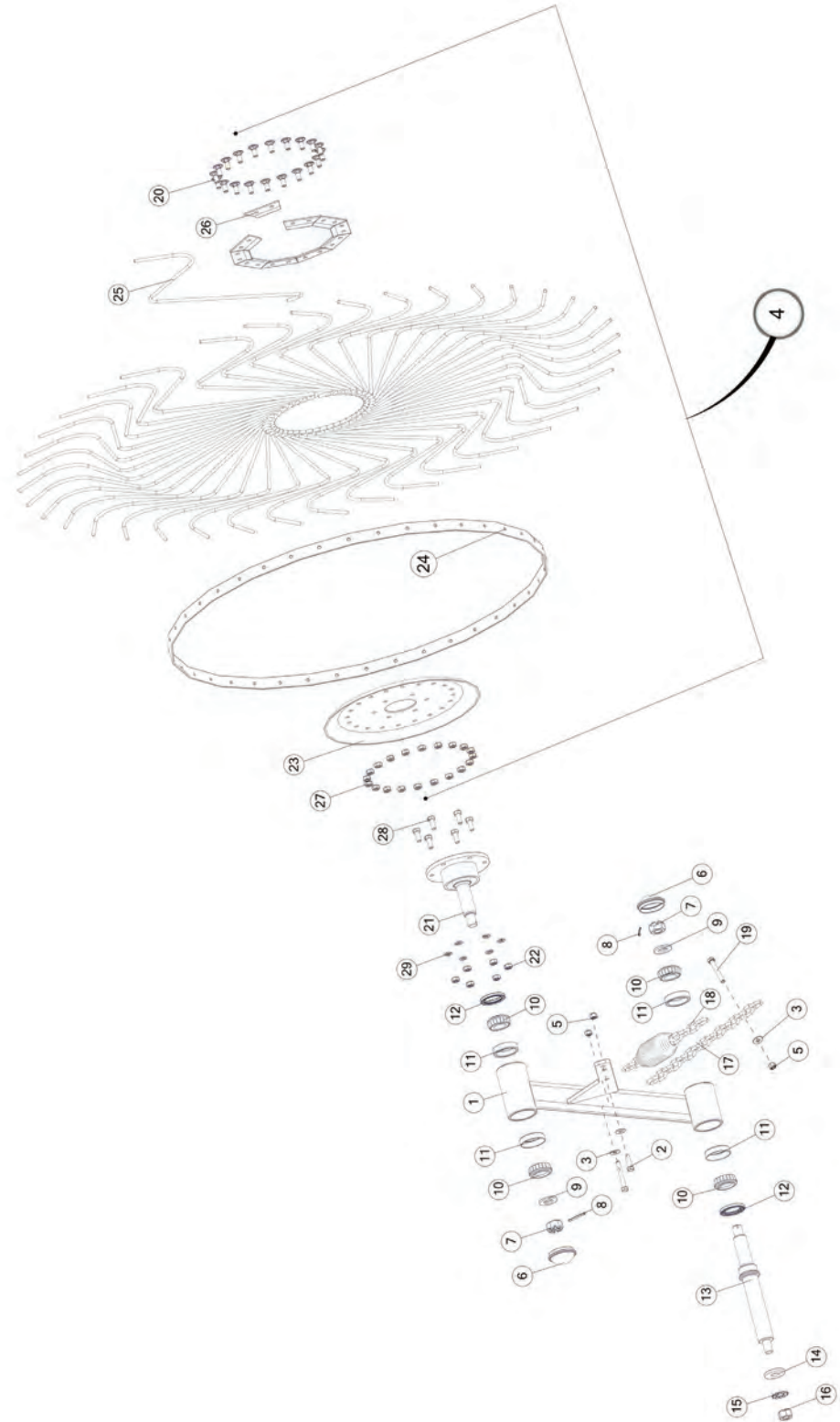


FIGURE 10

RAKE WHEEL ASSEMBLY

<u>ITEM</u>	<u>QTY</u>	<u>PART#</u>	<u>DESCRIPTION</u>
1	8	FR6	RAKE ARM RH
*	8	FR7	RAKE ARM LH
2	32	YBHH12035	BOLT HEX, 3/8 X 1-1/4 G5
3	48	YWFL12005	WASHER FLAT, 3/8
4	8	FR70	RAKE WHEEL RH, 60 IN
*	8	FR69	RAKE WHEEL LH, 60 IN
5	48	YNTL12005	NUT HEX, TOP LOCK, 3/8
6	32	17G144	HUB CAP
7	32	YNSL28005	NUT HEX, SLOTTED, 7/8
8	32	YPCT05010	COTTER PIN, 5/32 X 1-1/2
9	32	YWFL28010	WASHER FLAT, 7/8
10	64	HD122	TAPER BEARING
11	64	3G18	BEARING RACE
12	32	HD124	SEAL
13	16	FR54	PIVOT SPINDLE FRONT
14	16	HD157	PIVOT WASHER
15	16	YWSI24005	WASHER, 3/4
16	16	YNHX24004	NUT HEX, 3/4 G5
17	16	FR58	CHAIN (15 LINKS)
18	16	8771	RAKE WHEEL SPRING
19	16	YBHH12110	BOLT HEX, 3/8 X 2-3/4 G5
20	320	YBCR76005	BOLT CARRIAGE, 10MM X 25MM
21	16	FR24	RAKE WHEEL HUB
22	96	YNHX76015	NUT HEX, M10-1.5
23	16	FR71	RAKE WHEEL CENTER
24	16	FR72	RAKE WHEEL OUTER RING
25	640	FR73	RAKE WHEEL TOOTH
26	320	FR74	RAKE TOOTH CLIP
27	320	YNLC76005	NUT LOCK, 10 MM
28	96	YBHH76015	BOLT HEX, M10-1.5 X 25, 10.9
29	96	YWLO76015	WASHER LOCK, M10

*MEANS NOT SHOWN

FIGURE 11
HYDRAULICS

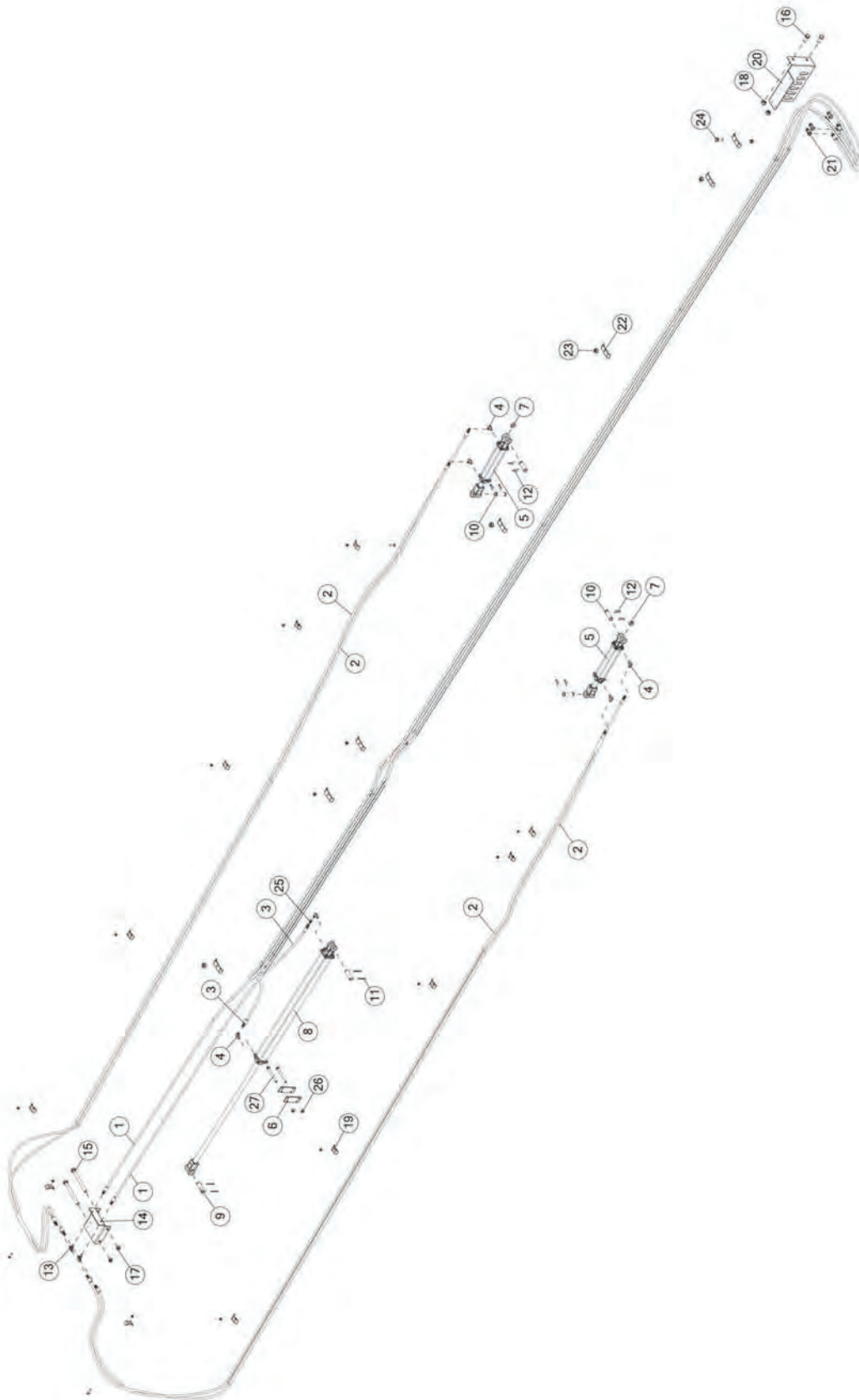


FIGURE 11 HYDRAULICS

<u>ITEM</u>	<u>QTY</u>	<u>PART#</u>	<u>DESCRIPTION</u>
1	2	71768	HYD HOSE, 6 X 451, 6 FEMALE JIC, 8 MALE ORB
2	4	71771	HYD HOSE, 6 X 336, 6 FEMALE JIC, 6 FEMALE
3	2	71769	JIC HYD HOSE, 6 X 396, 6 FEMALE JIC, 8 MALE
4	6	CHM268	ORB ELBOW (6 C50X-S)
5	2	66933	HYDRAULIC CYLINDER 2 X 10 W/ORB PORTS
6	2	58692	CYLINDER SPACER
7	2	58374	SPACER
8	1	71386	CYLINDER 2-1/2 X 40 W/ORB PORTS
*	1	58687	SEAL KIT
9	2	BFR634	CYLINDER PIN
10	4	T143	HYD CYLINDER PIN
11	4	YPCT06020	COTTER PIN, 3/16 X 2
12	8	53371	CYLINDER PIN
13	2	8005	BULKHEAD TEE FITTING
14	1	58411	HYD MOUNT
15	2	YBHH24115	BOLT HEX, 3/4 X 8-1/2 G5
16	2	YBHH24014	BOLT HEX, 3/4 X 1-3/4 G5
17	2	YNHX24004	NUT HEX, 3/4 G5
18	2	YNTL24005	NUT HEX, TOP LOCK, 3/4
19	12	23N67	HOSE BRACKET FRONT
20	1	60269	HOSE HOLDER
21	4	67148	QUICK COUPLER
22	6	58448	HOSE BRACKET
23	15	YNTL12005	NUT HEX, TOP LOCK, 3/8
24	1	YBHH20020	BOLT HEX, 3/8 X 1-1/2 G5
25	1	58143	06-06 M/F ORIFICE, 0.047
26	2	YNRL16005	NUT HEX, REVERSIBLE-SIDE LOCK, 1/2
27	2	YBHH16160	BOLT HEX, 1/2 X 5-1/2 G5

FIGURE 12
LIFT CYLINDER

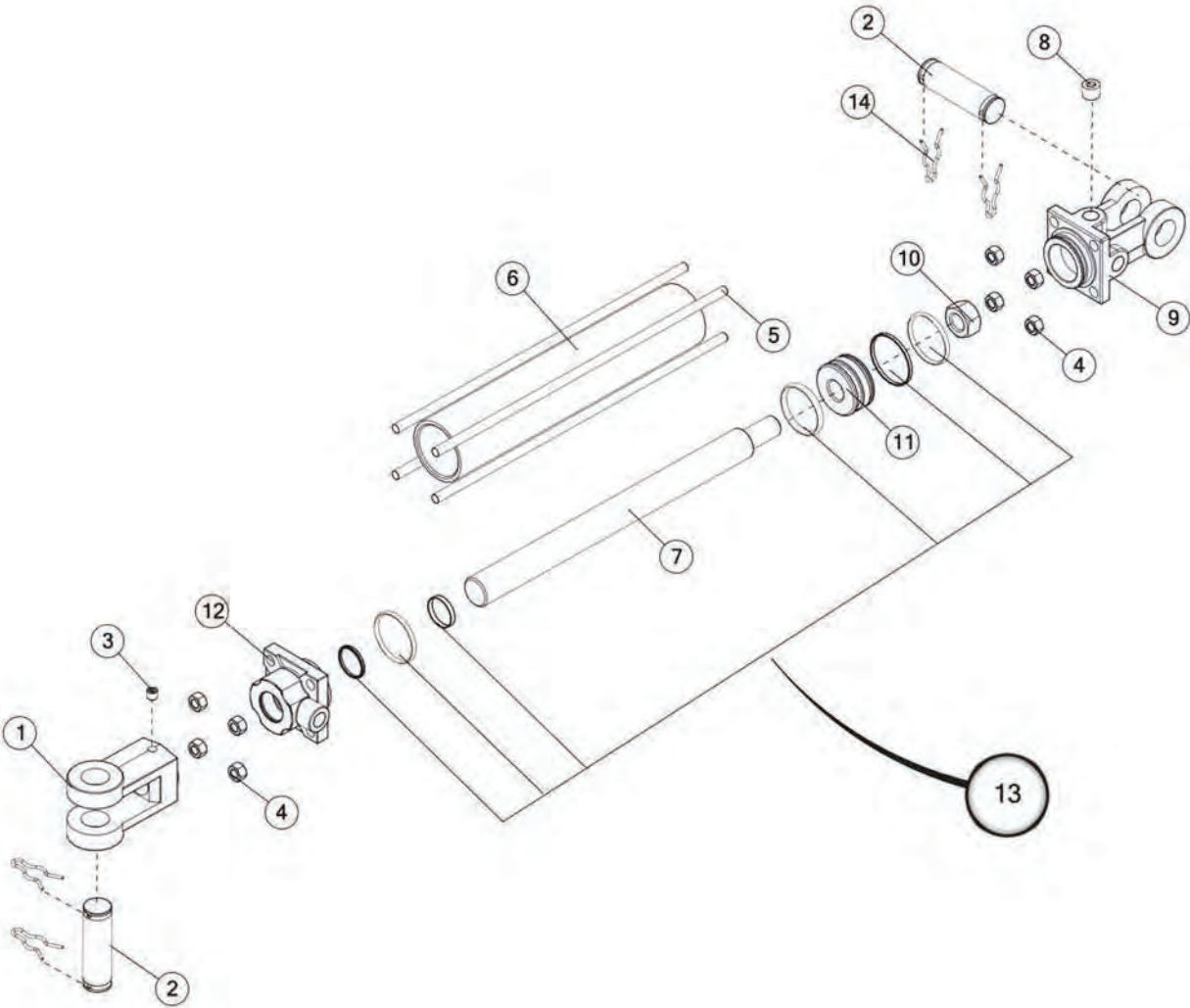


FIGURE 12 LIFT CYLINDER

<u>ITEM</u>	<u>QTY</u>	<u>PART#</u>	<u>DESCRIPTION</u>
1	1	23N150A	ROD CLEVIS
2	2	T143	HYD CYLINDER PIN
3	1	YSSO12015	SET SCREW, SOCKET, 3/8 X 3/8
4	8	YNHX12006	NUT HEX, 3/8-24
5	4	16SV170	TIE ROD
6	1	16SV169	CYLINDER TUBE
7	1	16SV168A	CYLINDER ROD FOR 2 X 10
8	1	SD270	HOLLOW HEX PLUG 6
9	1	23N142A	CLEVIS CAP
10	1	23N148	PISTON NUT
11	1	56180	PISTON
12	1	56174	ROD CAP
13	1	56187	SEAL KIT
14	1	53371	CYLINDER PIN
*	1	66933	HYD CYLINDER 2 X 10 W/ORB PORTS

***MEANS NOT SHOWN**

FIGURE 13 OPTIONAL HYDRAULIC REAR OPENING CYLINDER

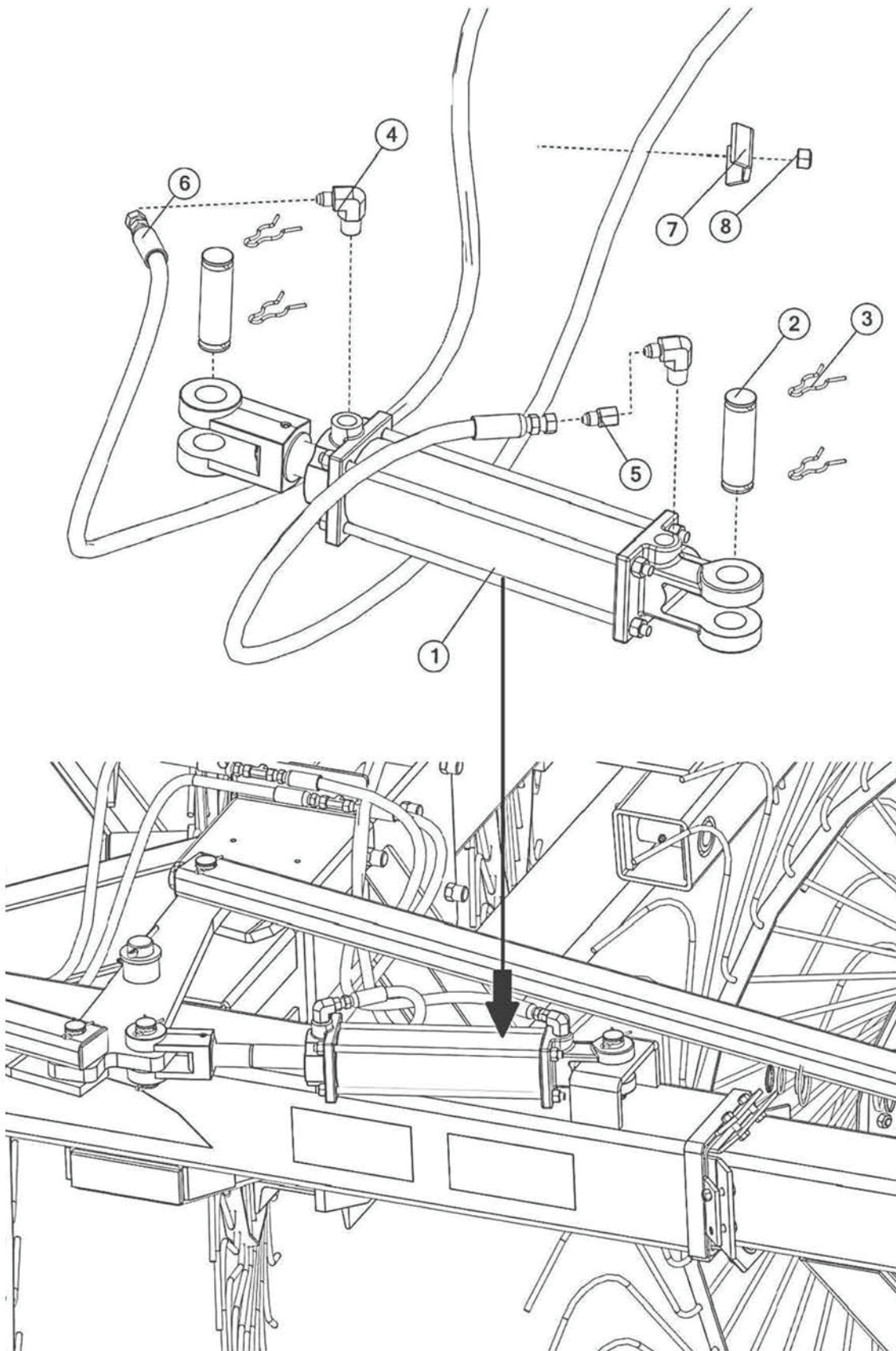


FIGURE 13
OPTIONAL HYDRAULIC REAR OPENING CYLINDER

<u>ITEM</u>	<u>QTY</u>	<u>PART#</u>	<u>DESCRIPTION</u>
1	1	71743	CYLINDER 2-1/2 X 8 W/ORB PORTS
2	2	T143	HYD CYLINDER PIN
3	4	YPHR02020	HAIR PIN, #23-10
4	2	CHM268	ELBOW (6 C50X-S)
5	1	58142	FITTING 6 XHX7-S .031 ORIFICE
6	2	71760	HYD HOSE, 6 X 505, 6 FEMALE JIC, 8 MALE ORB
7	1	23N67	HOSE BRACKET FRONT
8	1	YNL12005	NUT HEX, TOP LOCK, 3/8
*	1	56188	SEAL KIT
*	2	67148	QUICK COUPLER TIP

***MEANS NOT SHOWN**

FIGURE 14 OPTIONAL TANDEM AXLE

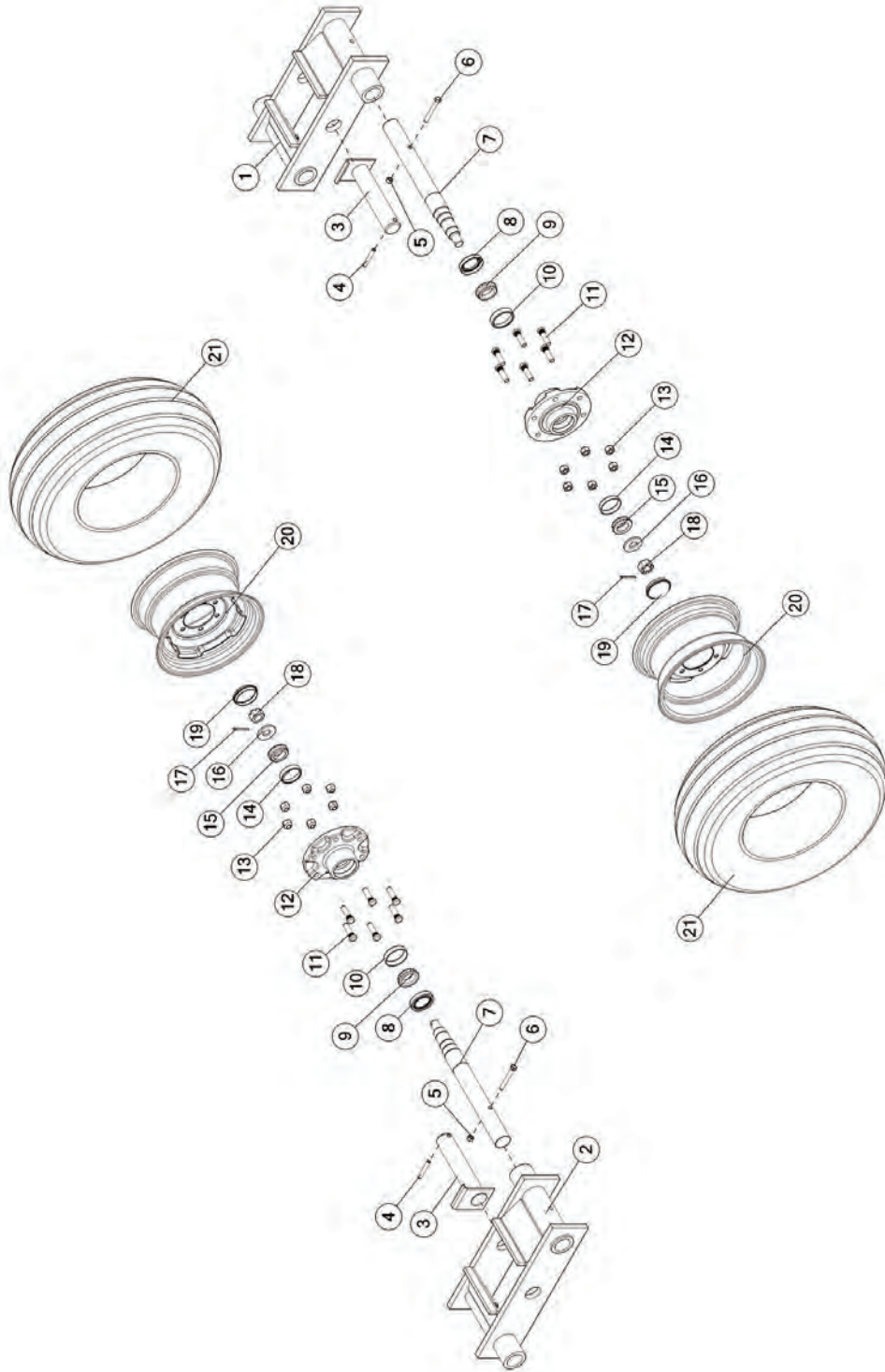


FIGURE 14

OPTIONAL TANDEM AXLE

<u>ITEM</u>	<u>QTY</u>	<u>PART#</u>	<u>DESCRIPTION</u>
1	1	71736	TANDEM RH
2	1	71739	TANDEM LH
3	2	58277	AXLE PIVOT PIN
4	2	YPEX12023	EXPANSION PIN, 3/8 X 2-1/2
5	4	YNTL12005	NUT HEX, TOP LOCK, 3/8
6	4	YBHH12120	BOLT HEX, 3/8 X 3 G5
7	2	FR55	BACK SPINDLE
8	2	12N17	SEAL
9	2	12N18	INNER BEARING
10	2	12N19	INNER RACE
11	12	YBSD16005	BOLT STUD, 1/2 X 1-7/8
12	2	RG101	HUB W/RACES AND STUDS
13	12	YNWL16005	NUT WHEEL, 1/2
14	2	17G146	OUTER RACE
15	2	17G145	OUTER BEARING
16	2	HD200	ROAD WHEEL SPINDLE WASHER
17	2	YPCT05010	COTTER PIN, 5/32 X 1-1/2
18	2	YNSL28005	NUT HEX, SLOTTED, 7/8
19	2	17G144	HUB CAP
20	2	RG127	WHEEL 15 X 6, 6 BOLT
21	2	UR1	9.5L X 15 8 PLY TIRE & TUBE
*	2	53854	9.5 L X 15 TIRE ON 15 X 6 WHEEL

*MEANS NOT SHOWN

FIGURE 15
WIND GUARD

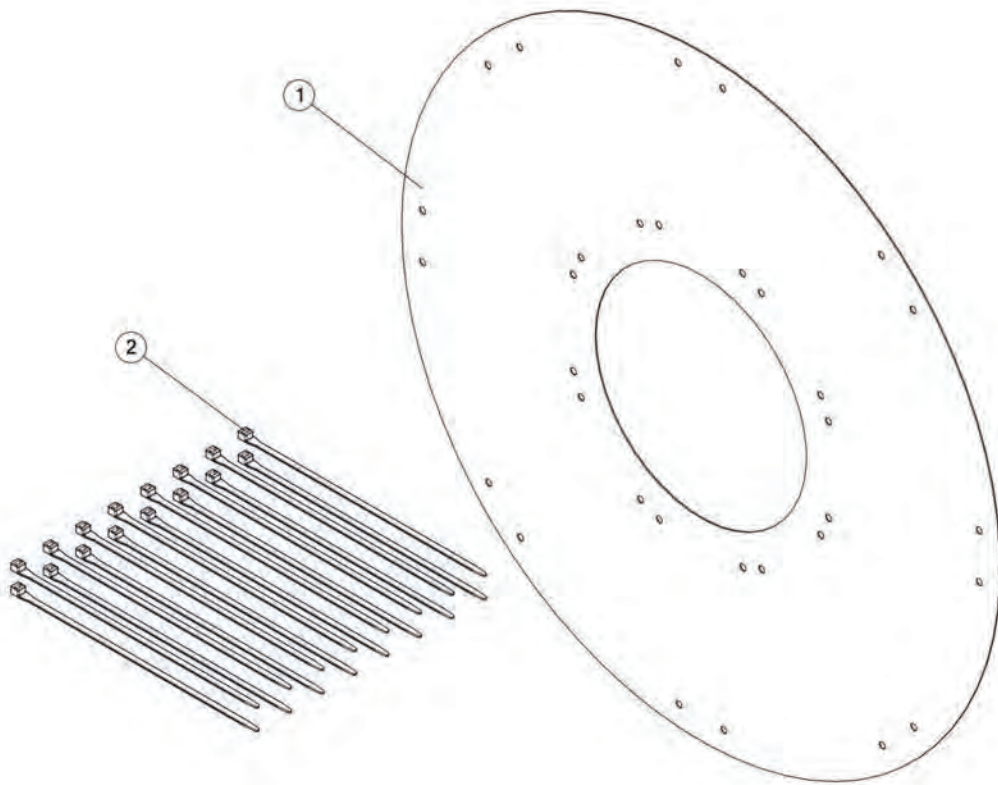


FIGURE 15
WIND GUARD

<u>ITEM</u>	<u>QTY</u>	<u>PART#</u>	<u>DESCRIPTION</u>
1	1	59039	POLY WIND GUARD, 60
2	16	CIZT105	ZIPTIE 15 IN

FIGURE 16
OPTIONAL LIGHTING

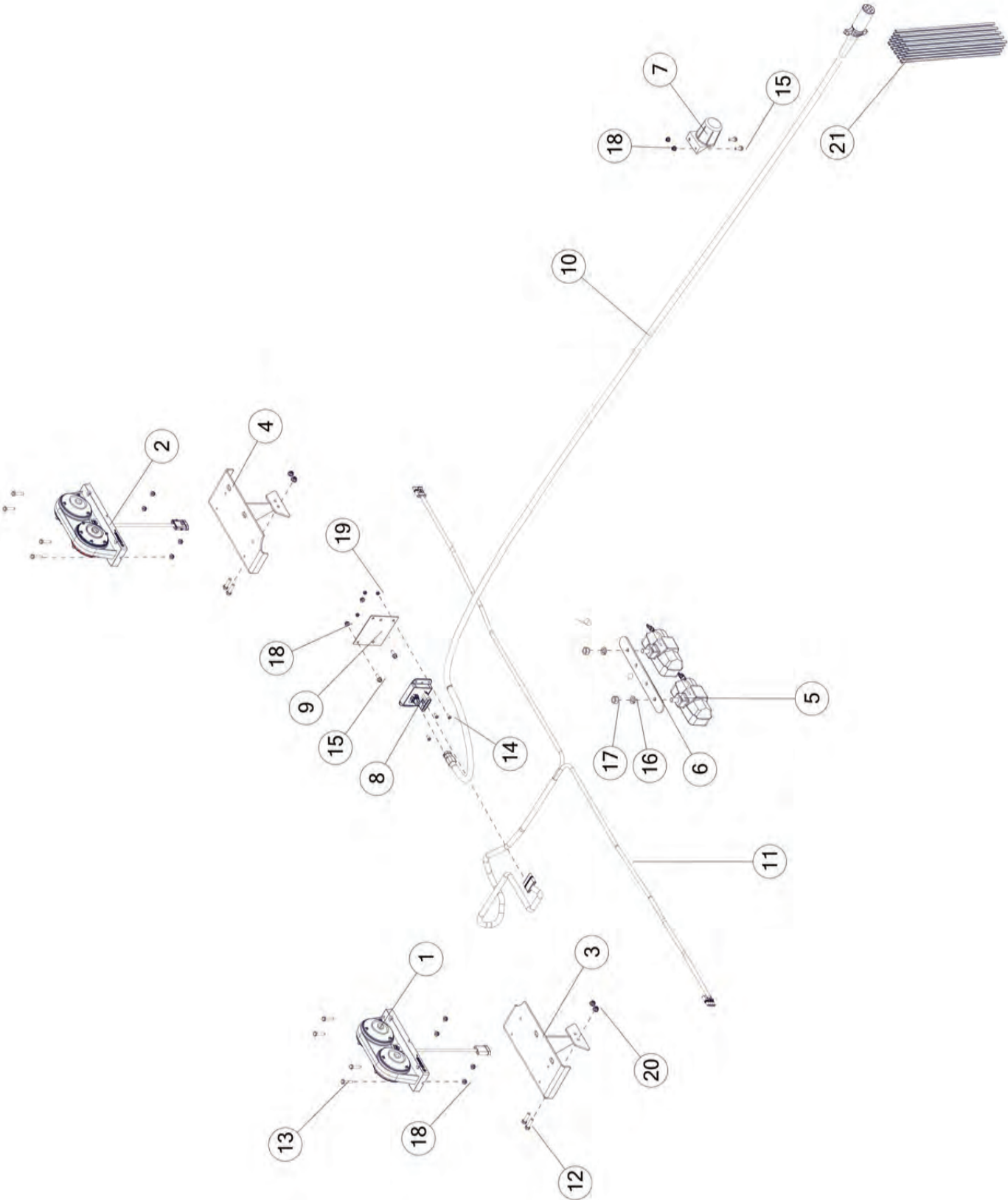


FIGURE 16

OPTIONAL LIGHTING

<u>ITEM</u>	<u>QTY</u>	<u>PART#</u>	<u>DESCRIPTION</u>
1	1	77924	TAIL LIGHT RH
2	1	77923	TAIL LIGHT LH
3	1	88291	LIGHT MOUNT, RH
4	1	88292	LIGHT MOUNT, LH
5	2	DWM130	FLOODLIGHT - WORKING LIGHT
6	1	91519	WORK LIGHT BRACKET
7	1	CHM38	PLUG STORAGE
8	1	69908	CONTROL BLINKER MODULE
9	1	91528	MODULE BRACKET
10	1	91496	HARNESS, MAIN
11	1	77847	LIGHT HARNESS, BACK
12	4	YBHH10045	BOLT HEX, 5/16 X 1-1/4 G5
13	8	YBHH08030	BOLT HEX, 1/4 X 1-1/4 G2
14	3	YSPP64005	SCREW PAN HEAD, #10-32 X 1/2
15	4	YBFB08075	BOLT FLANGE, 1/4 X 3/4 G5
16	2	YWLO16005	WASHER LOCK , 1/2
17	2	YNHX16005	NUT HEX, 1/2 G2
18	12	YNFG08010	NUT FLANGE , 1/4 GF
19	3	YNNY62005	NUT HEX, NYLON INSERT LOCKNUT, 8
20	4	YNFG10005	NUT FLANGE, 5/16 GF
21	25	CIZT105	ZIPTIE, 15

FIGURE 17 OPTIONAL KICKER WHEEL

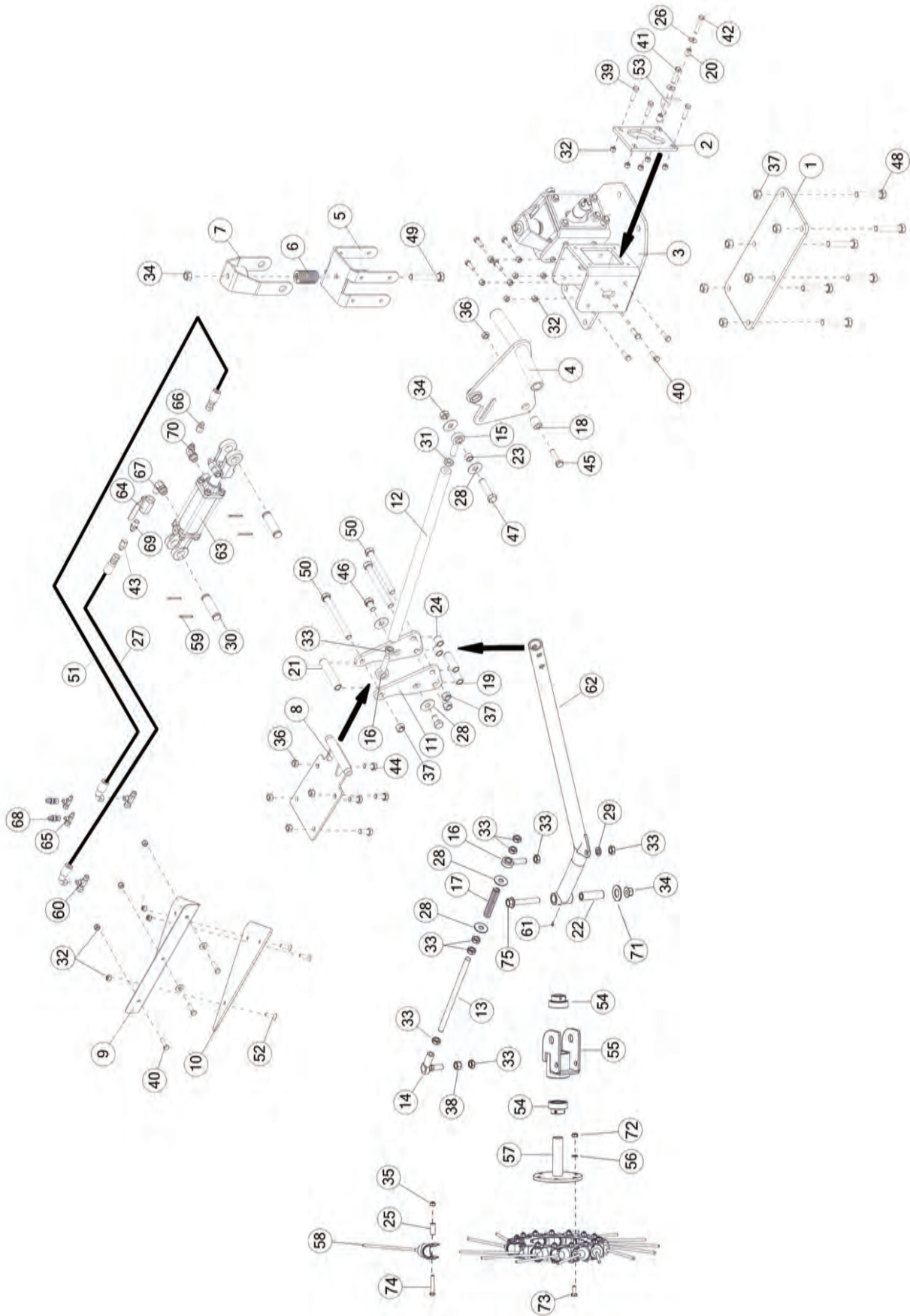


FIGURE 17

OPTIONAL KICKER WHEEL

<u>ITEM</u>	<u>QTY</u>	<u>PART#</u>	<u>DESCRIPTION</u>
1	1	71496	PLATE
2	2	71526	PLATE
3	1	71486	KICKER MAIN
4	1	71495	KICKER BELL
5	2	71500	SPRING BASE BRACKET
6	2	71574	DIE SPRING
7	2	71534	SPRING YOKE
8	1	71521	PIVOT
9	1	71185	KICKER DEFLECTOR BRACKET
10	1	71192	POLY DEFLECTOR PANEL, 1/4
11	2	71522	PLATE
12	1	71601	TUBE
13	1	71618	ALLTHREAD, 5/8 X 12.5
14	1	71599	BALL JOINT BEARING, 5/8
15	1	71593	ROD END BEARING, 5/8 LH
16	2	71594	ROD END BEARING RH
17	1	71296	SPRING
18	1	71487	BUSHING
19	2	71548	STEEL BUSHING
20	2	71568	TUBE
21	1	71577	STEEL BUSHING
22	1	93655	CYLINDER SPACER
23	1	71605	STEEL BUSHING
24	2	71536	STEEL BUSHING
25	15	70807	TUBE
26	2	YWFL12005	WASHER FLAT, 3/8
27	1	90544	HYDRAULIC HOSE, 6 X 162
28	6	YWFL20005	WASHER FLAT, 5/8
29	1	YWLO20005	WASHER LOCK, 5/8
30	1	T143	CYLINDER PIN
31	1	YNJM20011	NUT HEX, 5/8 G5
32	24	YNFG12006	NUT FLANGE, 3/8
33	8	YNJM20010	NUT HEX, JAM, 5/8
34	3	YNFG10005	NUT FLANGE, 5/16 GF
35	15	YNL12005	NUT HEX, TOP LOCK, 3/8
36	5	YNFG16003	NUT FLANGE, 1/2 GF
37	9	YNL20005	NUT HEX, TOP LOCK, 5/8
38	1	YNHX20008	NUT, HEX, 5/8-18, NA, A, ZC
39	6	YBFB12150	BOLT FLANGE, 3/8 X 1-1/2
40	11	YBFB12125	BOLT FLANGE, 3/8 X 1-1/4 G5
41	2	YBFB12175	BOLT FLANGE, 3/8 X 1-3/4 G5
42	2	YBFB12225	BOLT FLANGE, 3/8 X 2-1/4 G5
43	1	90534	IN-LINE CONNECTOR, ORIFICE, 4-XHX7-S .022
44	4	YBFB16150	BOLT FLANGE, 1/2 X 1-1/2 G5
45	1	YBFB16200	BOLT FLANGE, 1/2 X 2 G5
46	2	YBHH20005	BOLT HEX, 5/8 X 1 G5
47	1	YBHH20045	BOLT HEX, 5/8 X 2-3/4 G5
48	6	YBFB20350	BOLT FLANGE, 5/8 X 3-1/2 G5
49	2	YBHH20065	BOLT HEX, 5/8 X 4 G5

FIGURE 17 OPTIONAL KICKER WHEEL

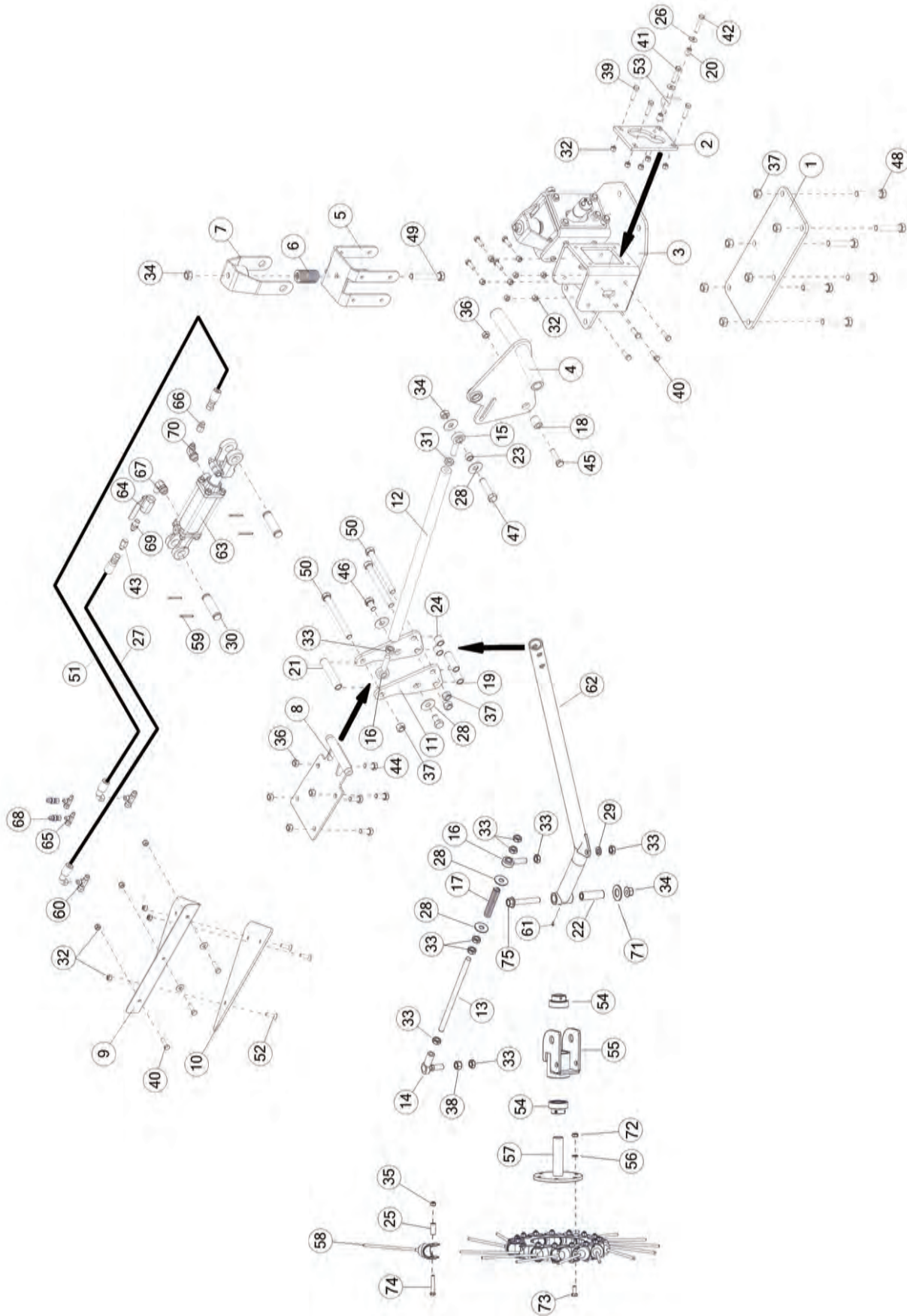


FIGURE 17

OPTIONAL KICKER WHEEL

<u>ITEM</u>	<u>QTY</u>	<u>PART#</u>	<u>DESCRIPTION</u>
50	3	YBHH20103	BOLT HEX, 5/8 X 6-1/2 G5
51	1	71780	HYDRAULIC HOSE, 6, 201IN
52	3	YSFS12005	SCREW FLAT, HEAD SOCKET CAP, 3/8 X 1-1/4
53	2	71570	TORSION SPRING
54	2	BFR525	BEARING W/LOCK COLLAR
55	1	93653	RAKE HUB PIVOT
56	6	YWLO76015	WASHER LOCK, M10
57	1	93650	RAKE WHEEL HUB
58	15	T82	RUBBER MOUNTED TOOTH
59	4	YPCT05010	COTTER PIN 5/32 X 1-1/2
60	2	CHM242	TEE SWIVEL RUN
61	1	MS26	SHORT SHANK ZERK (STRAIGHT)
62	1	71529	CENTER POLE
63	1	70797	HYD CYL, 10.2 X 14.2
*	1	72160	CYLINDER TIE ROD
*	1	72161	SEAL KIT
64	1	16SV338	BALL VALVE, 3/8
65	2	58101	FITTING 4 R6X-S
66	1	58142	FITTING, 6 XHX7-S .031 ORIFICE
67	1	70158	FITTING, 90, 3/4ORB, 3/8NPT, STL
68	2	71802	FITTING, ST, 6 MALE JIC, 4 FEMALE JIC, STL, EXPANDER
69	1	58124	FITTING STRAIGHT, 04JIC, 06NPT
70	1	CHM206	FITTING, 90, 6JIC X 8ORB
71	1	YWFL32005	WASHER, FLAT, SAE 1
72	6	YNHX76015	NUT HEX, M10-1.5
73	6	YBHH76015	BOLT HEX, M10-1.5 X 25
74	15	YBHH12100	BOLT HEX, 3/8 X 2-1/4 G5
75	1	YBFB20400	BOLT FLANGE, 5/8 X 4 G5

FIGURE 17 OPTIONAL KICKER WHEEL

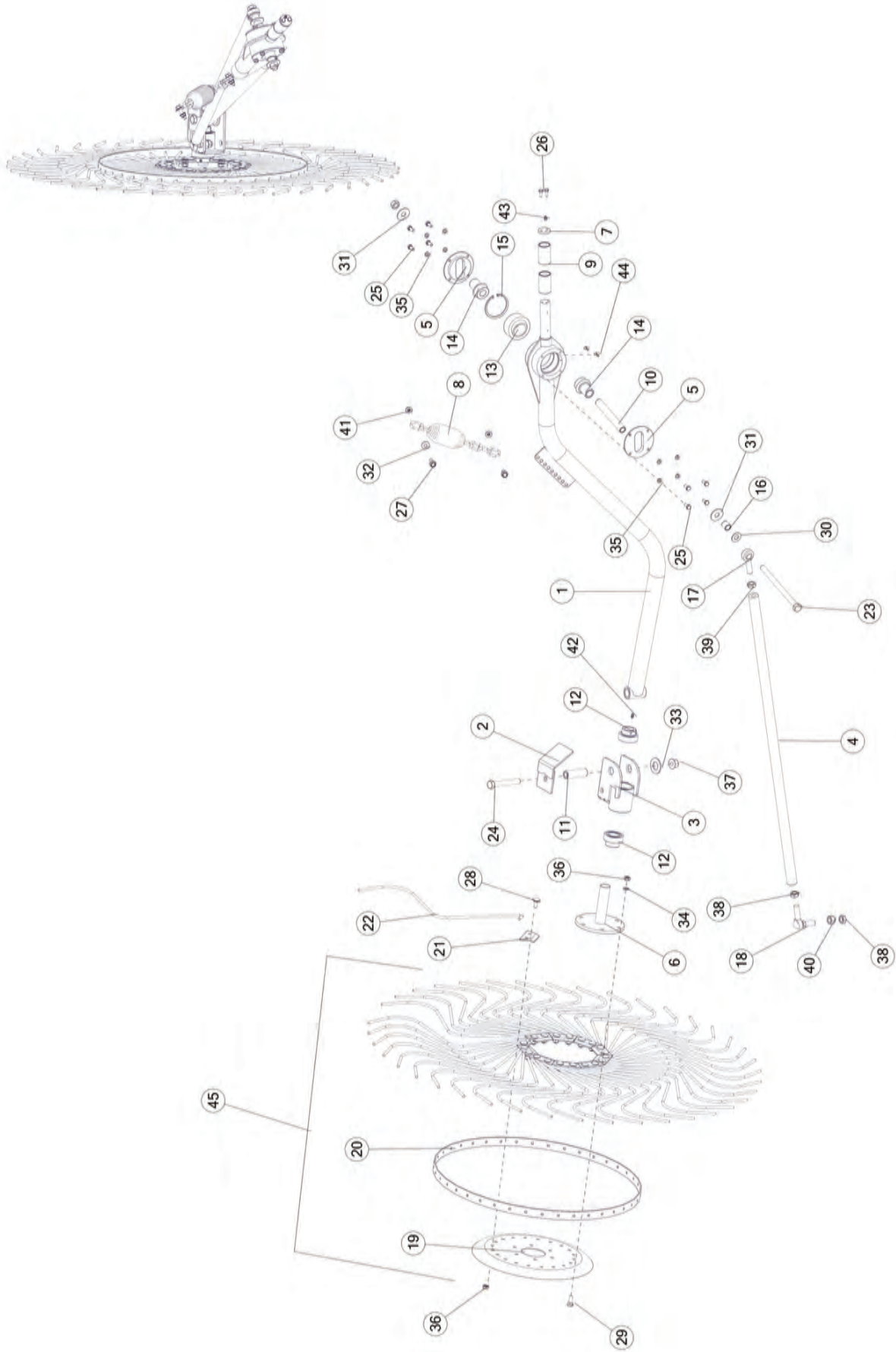


FIGURE 17

OPTIONAL KICKER WHEEL

<u>ITEM</u>	<u>QTY</u>	<u>PART#</u>	<u>DESCRIPTION</u>
1	1	71558	RIGHT POLE
*	1	71560	LEFT POLE
2	2	85319	RAMP BRACKET
3	2	93653	RAKE HUB PIVOT
4	2	71600	TIE ROD
5	4	71562	PLT 4.25 X 0.50, KICKER GUIDE
6	2	93650	RAKE WHEEL HUB
7	2	71993	PLT, 1.50 X 1.50 X 0.25, KEEPER
8	2	8771	RAKE WHEEL SPRING
9	4	71563	BSH, 1.50 X 1.25 X 2.47
10	2	71535	BSH, .875 X .635 X 6.374
11	2	93655	CYLINDER SPACER
12	4	BFR525	PEER FHR206-20 BEARING 1-1/4"
13	2	71553	BRG, 3.125 X 1.75 X 1.56
14	4	71550	BSH, 2.08 X 0.89 X 2.44, STL
15	2	71608	SNAP RING
16	2	71536	BSH, 0.88 X 0.66 X 0.88, STL
17	2	71593	BRG, 5/8 ROD END LH
18	2	71598	BRG, BALL JOINT 5/8-18 M
19	2	FR71	RAKE WHEEL CENTER 60 IN BLACK
20	2	T177A	OUTER RING FOR 48" RAKE WHEEL
21	20	FR74	RAKE TOOTH CLIP BLACK
22	80	10WR42	RAKE WHEEL TOOTH, 49", BLACK
23	2	YBHH20120	BOLT, 5/8-11 X 9" GR 5
24	2	YBHH20067	BOLT, 5/8-11 X 4-1/4 GR 5, ZINC
25	16	YBHH10105	BOLT, 5/16 X 3/4 GR 5
26	4	YBHH08102	BOLT, 1/4 X 3/4 GR 8, YELLOW ZINC
27	1	YBFB12150	BOLT FLG, 3/8 X 1-1/2 G5
28	40	YBCR76005	BOLT, CARR, M10-1.5 X 25MM, 8.8, NF
29	12	YBHH76015	BOLT, HEX, M10-1.5 X 25, 10.9, ZC
30	2	YWFL20010	WASHER, FLAT, 5/8" SAE GR 8 YELLOW ZINC
31	4	YWFL20005	WASHER, FLAT, 5/8 USS
32	2	YWFL12005	WASHER, FLAT, 3/8 USS
33	2	YWFL32005	WASHER, FLAT, SAE 1.00, ZINC
34	12	YWLO76015	WASHER, LOCK, M10
35	16	YWLO10005	WASHER, LOCK, 5/16
36	32	YNHX76015	NUT, HEX, M10-1.5, NA, CL10, ZC
37	2	YNFG20005	NUT, FLG, 5/8-11, LKTL, F, ZC
38	4	YNJM20010	NUT JAM, 5/8 A
39	2	YNJM20011	NUT JAM, 5/8 G5 LH
40	2	YNHX20008	NUT, HEX, 5/8-18, NA, A, ZC
41	8	YNFG12006	NUT FLG, 3/8 GF
42	2	MS26	1/4"-28 STRAIGHT ZERK
43	2	G89	1/4"-28 STRAIGHT ZERK
44	4	RG51	ZERK, 90 DEGREE 1/4"-28
45	2	10WR17	LH RAKE WHEEL, 49" DIAMETER, BLACK

FIGURE 18
OPTIONAL BUMPER KIT

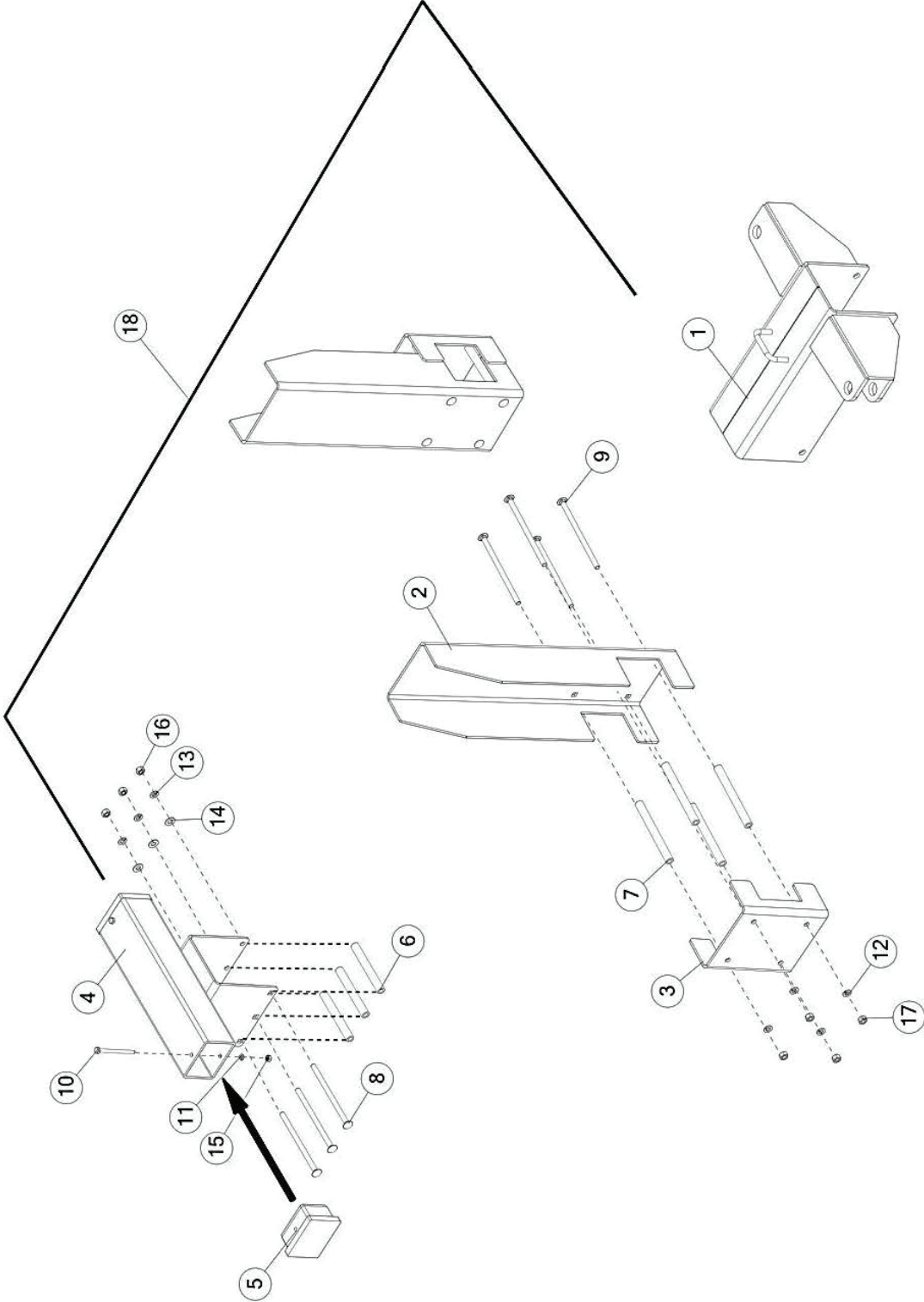


FIGURE 18

OPTIONAL BUMPER KIT

<u>ITEM</u>	<u>QTY</u>	<u>PART#</u>	<u>DESCRIPTION</u>
1	1	76197	LINKAGE SLIDER FRONT
2	2	75574	RAKE ARM BUMPER PLATE
3	2	75575	RAKE BUMPER PLATE BACK
4	1	76490	BUMPER
5	2	75763	BLACK PLUG, UHMW, 3 X 4 X 2
6	3	75580	SPACER TUBE
7	8	75576	SPACER TUBE
8	3	YBCR12123	BOLT CARRIAGE, 3/8 X 6-1/2, G5
9	8	YBCR12130	BOLT CARRIAGE, 3/8 X 7.00, G2
10	2	YBHH08092	BOLT HEX, 1/4 X 3-1/2, G5
11	2	YWLO08005	WASHER LOCK, 1/4
12	11	YWLO12005	WASHER LOCK, 3/8
13	3	YWFL12010	WASHER FLAT, 3/8 G8
14	2	YNHX08007	NUT HEX, 1/4 G5
15	11	YNHX12005	NUT HEX, 3/8
16	1	76464	BUMPER KIT

FIGURE 19

OPTIONAL 2-POINT HITCH

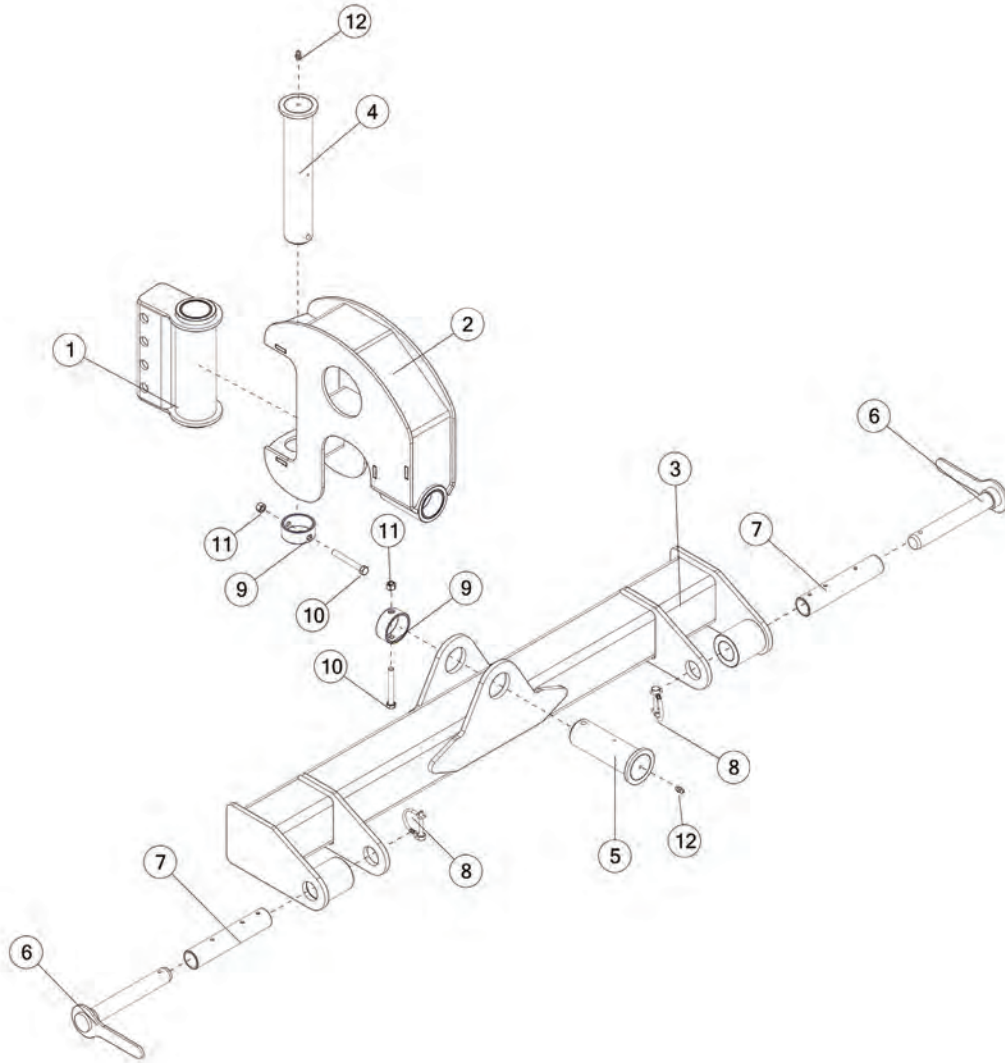


FIGURE 19
OPTIONAL 2-POINT HITCH

<u>ITEM</u>	<u>QTY</u>	<u>PART#</u>	<u>DESCRIPTION</u>
1	1	78515	HINGING HITCH MOUNT
2	1	78564	HITCH PIVOT
3	1	78531	TWO POINT HITCH
4	1	78556	HITCH PIVOT PIN
5	1	78560	HITCH PIVOT PIN
6	2	PTMWE65	HITCH PIN
7	2	PTMTU56	ADAPTER TUBE
8	2	DWM324	SNAPPER PIN
9	2	78558	PIN RETAINING COLLAR
10	2	YBHH12125	BOLT HEX, 3/8 X 3 G5
11	2	YNL12005	NUT HEX, 3/8
12	2	G89	STRAIGHT ZERK, 1/4 X 90

CHANGE NOTES

H&S MFG. CO.
products approved
for the
FEMA
SEAL OF QUALITY



Manufactured by:
H&S MANUFACTURING CO., INC.
2608 S. HUME AVE. MARSHFIELD, WI 54449
(715) 387-3414 | hsmfgco.com

