



FF6116 RAKE

PARTS BOOK

Part #71355 HSMFG 040623 Rev. #09 Starting Ser. #321FF16001

STRONG HERITAGE - STRONG PEOPLE - STRONGER FUTURE



TABLE OF CONTENTS

FIGURE #	CONTENTS	PAGE #
*	INSTRUCTIONS FOR ORDERING PARTS	1
1	MAIN FRAME FRONT	2-3
2	MAIN FRAME MIDDLE	4-5
3	MAIN FRAME REAR	6-7
4	REAR FRAME & AXLE ASSEMBLY	8-9
5	RIGHT CASTER	10-11
6	LEFT CASTER	12-13
7	RIGHT & LEFT FRONT RAKE BEAMS	14
8	RIGHT & LEFT BACK RAKE BEAMS	15
9	U-JOINT ASSEMBLY	16-17
10	RAKE WHEEL ASSEMBLY	18-19
11	HYDRAULICS	20-21
12	LIFT CYLINDER	22-23
13	OPTIONAL HYDRAULIC REAR OPENING CYLINDER	24-25
14	OPTIONAL TANDEM AXLE	26
15	WIND GUARD	27
16	OPTIONAL LIGHTING	28-29
17	OPTIONAL KICKER WHEEL	30-35
18	OPTIONAL BUMPER KIT	36
19	OPTIONAL 2 POINT HITCH	37
*	PARTS NOTES	38

INSTRUCTIONS FOR ORDERING PARTS

All service parts should be ordered through your authorized H&S dealer. He will be able to give you faster service if you will provide them with the following:

1. Model & Serial Number - Both can be located on the side of the center bearing post above jack mount.
2. All references to left or right apply to the machine as viewed from the rear.
3. Parts should not be ordered from illustration only. Please order complete part number.
4. If your dealer has to order parts - give shipping instructions:

VIA truck - large pieces (please specify local truck lines)

VIA United Parcel Service (include full address)



PLEASE RECORD NUMBERS FOR YOUR UNIT FOR QUICK REFERENCE

ABOUT IMPROVEMENTS

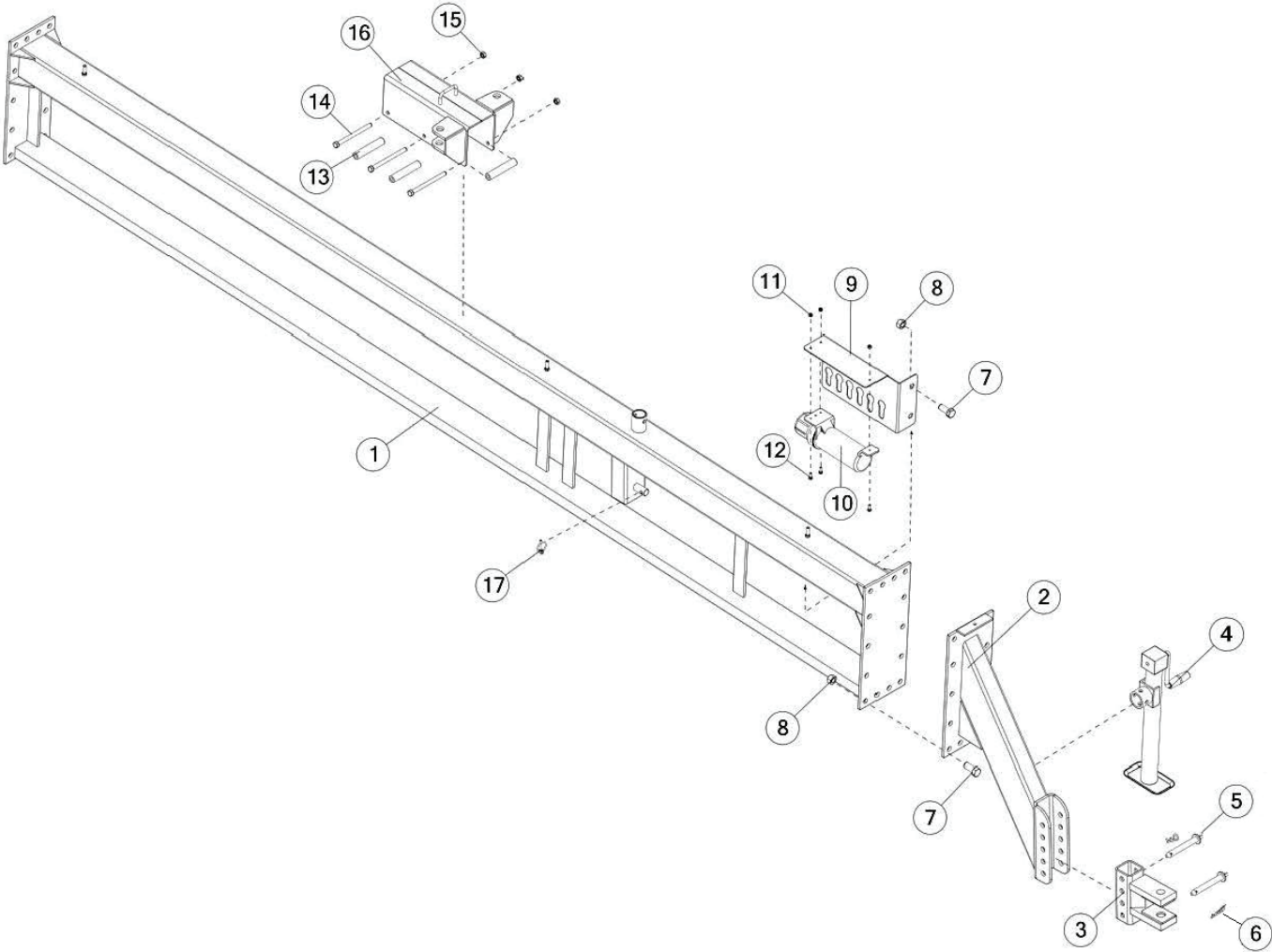
H&S IS CONTINUALLY STRIVING TO IMPROVE IT'S PRODUCTS

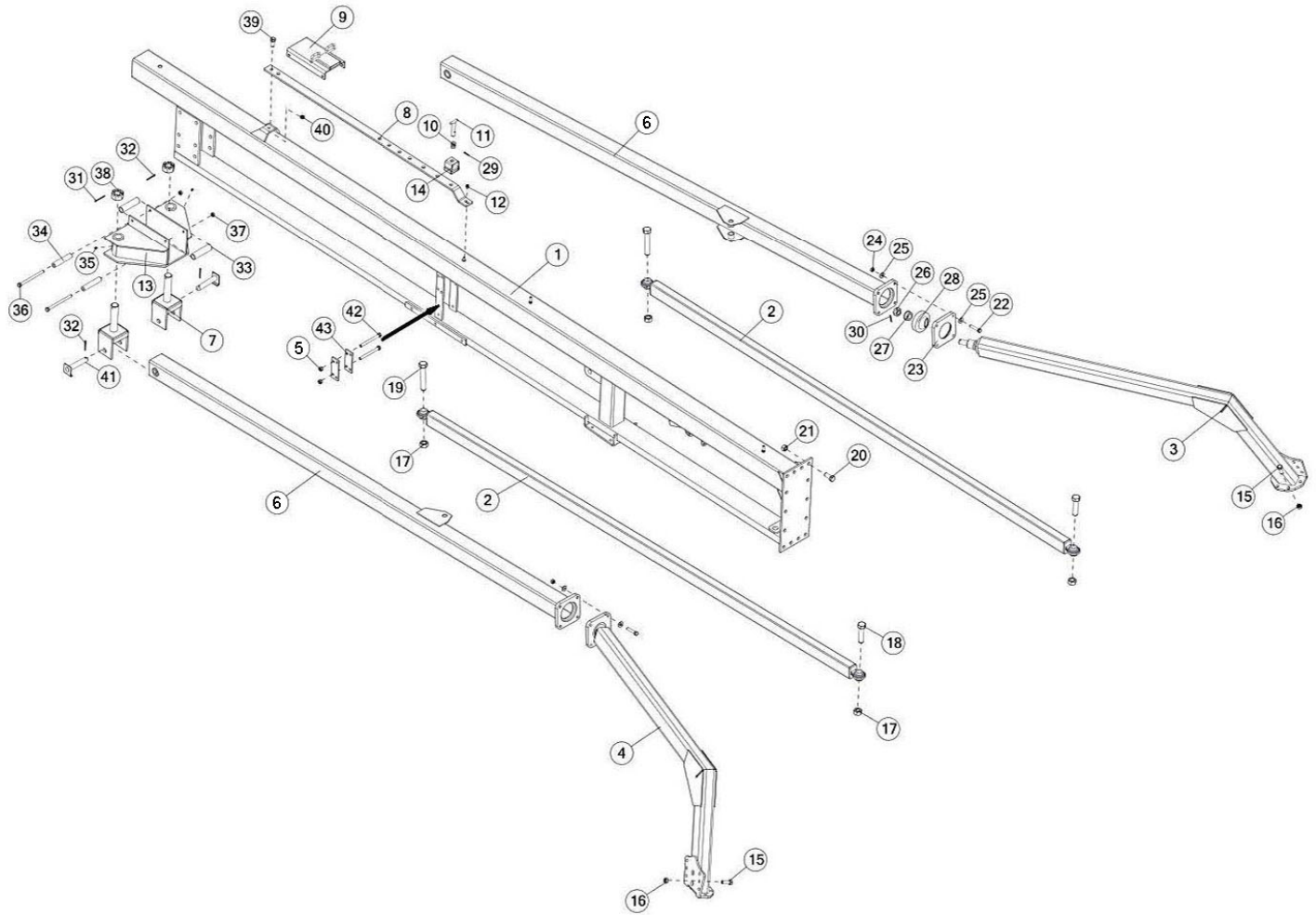
We must therefore, reserve the right to make improvements or changes whenever it becomes practical to do so, without incurring any obligation to make changes or additions to the equipment previously sold.





FIGURE 1
MAIN FRAME FRONT

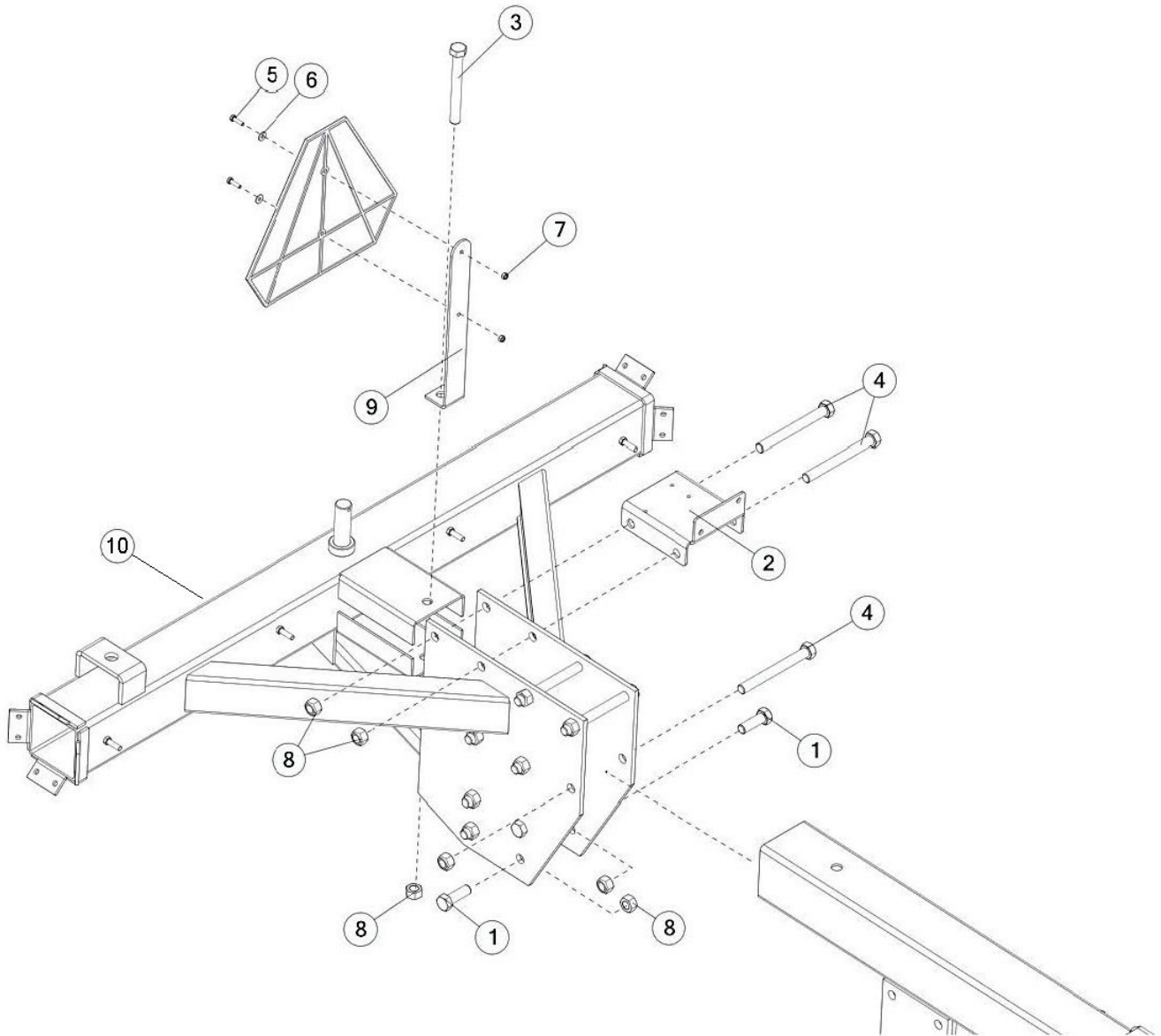


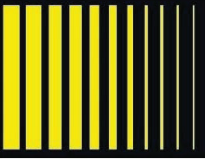


REF #	PART #	DESCRIPTION	QTY
1	67167	POLE BACK	1
2	BFR458	LINKAGE FRONT	2
3	58352	ARM LH	1
4	58353	ARM RH	1
5	YNRL16005	NUT HEX, REVERSIBLE-SIDE LOCK, 1/2	2
6	69122	LINKAGE YOKE BACK LH	2
7	BFR476	LINKAGE YOKE BACK RH	2
8	67416	WIDTH ADJUSTMENT BAR	1
9	68832	WIDTH ADJUSTMENT STOP	1
10	BFR240	SPRING	1
11	BFR241	ADJUSTMENT HANDLE	1
12	YBFL10002	BOLT FLANGE, 3/4 X 4 G8	1
13	68834	LINKAGE SLIDER REAR	1



FIGURE 3
MAIN FRAME REAR





REF #	PART #	DESCRIPTION	QTY
1	YBHH24035	BOLT HEX, 3/4 X 2-1/4 G5	4
2	67205	PLATE	1
3	YBHH24095	BOLT HEX, 3/4 X 6-1/2 G5	1
4	YBHH24100	BOLT HEX, 3/4 X 7 G5	10
5	YBHH08010	BOLT HEX, 1/4 X 1 G5	2
6	YWFL08005	WASHER FLAT, 1/4	2
7	YNNY08005	NUT HEX, NYLON LOCKNUT, 1/4	2
8	YNTL24005	NUT HEX, TOP LOCK, 3/4	14
9	63408	SMV BRACKET	1
10	67152	REAR FRAME ASSEMBLY	1





FIGURE 4

REAR FRAME & AXLE ASSEMBLY

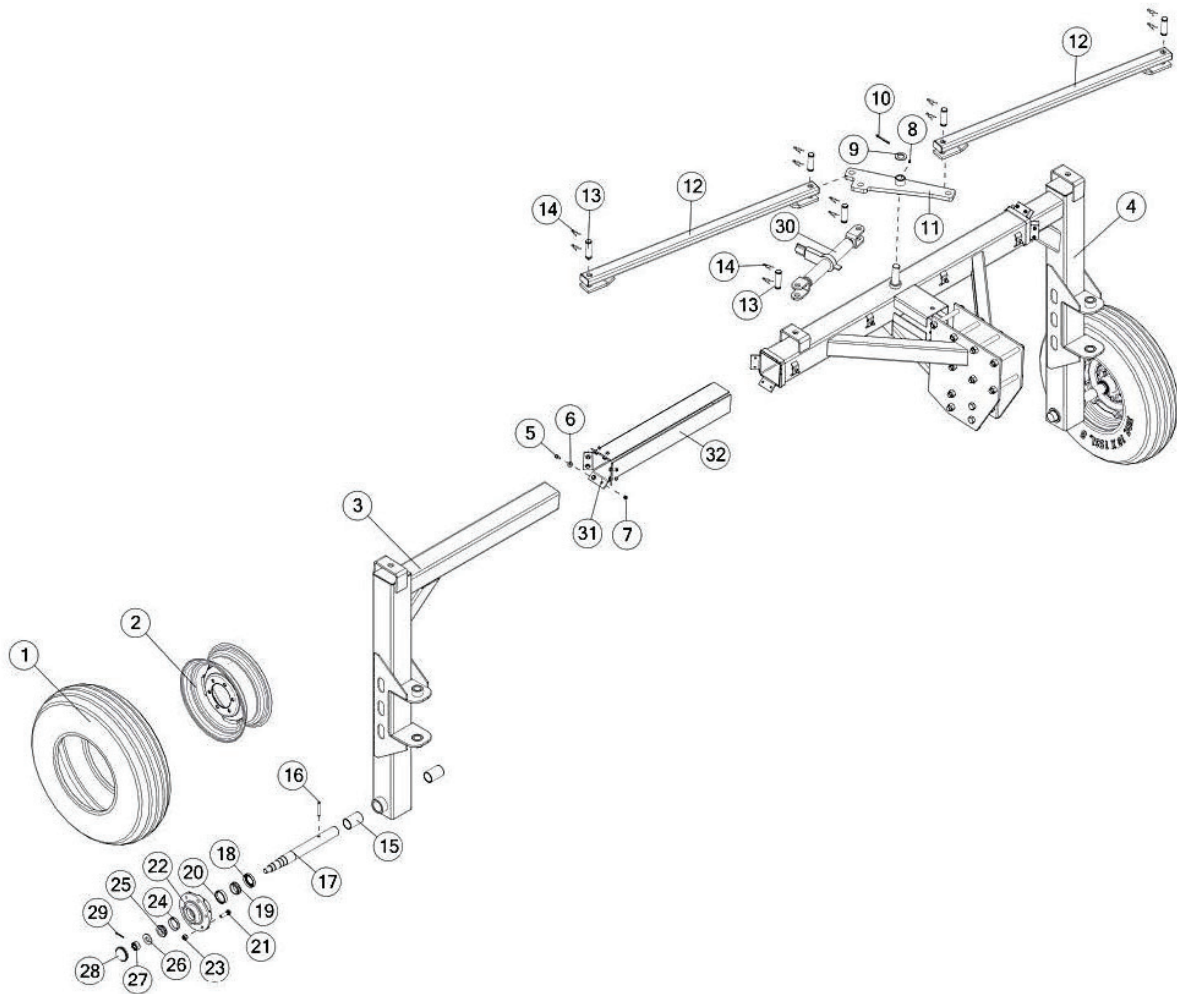
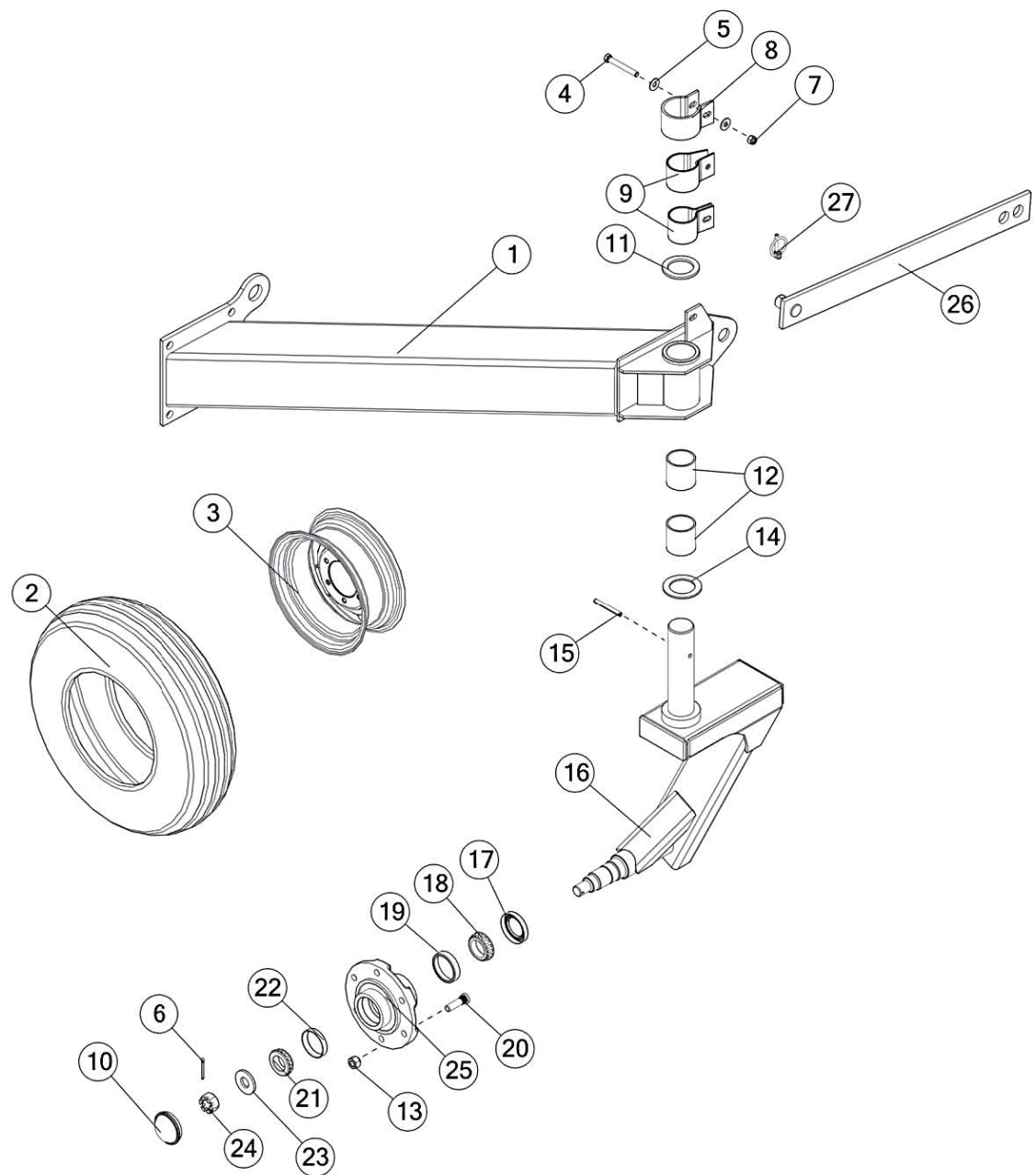




FIGURE 4
REAR FRAME & AXLE ASSEMBLY

REF #	PART #	DESCRIPTION	QTY
1	UR1	9.5L X 15 8 PLY TIRE & TUBE	2
2	RG127	WHEEL, 15 X 6, 6 BOLT	2
3	67169	UPRIGHT RH	1
4	67166	UPRIGHT LH	1
5	YBHH10010	BOLT HEX, 5/16 X 1	8
6	YWFL10005	WASHER FLAT, 5/16	8
7	YNL10005	NUT HEX, TOP LOCK, 5/16	8
8	G89	STRAIGHT ZERK 1/4 X 90	1
9	BFR229	WASHER, SHIM	1
10	YPCT08010	COTTER PIN, 1/4 X 2-1/2	1
11	HD8	CAM ARM	1
12	FR9	CYLINDER LINK	2
13	T143	HYD CYLINDER PIN	6
14	53371	CYLINDER PIN	12
15	58275	BUSHING BRONZE	2
16	YPEX12025	EXPANSION PIN, 3/8 X 2-3/4	2
17	FR55	BACK SPINDLE 1-3/4 X 17-1/2	2
18	12N17	GREASE SEAL	2
19	12N18	TAPER BEARING	2
20	12N19	INNER RACE	2
21	YBSD16005	BOLT STUD, 1/2 X 1-7/8 (3/8 SHOULDER)	12
22	58401	HUB	2
23	YNWL16005	NUT WHEEL, 1/2 G5	12
24	17G146	OUTER RACE	2
25	17G145	TAPERED BEARING	2
26	HD200	ROAD WHEEL SPINDLE WASHER	2
27	YNSL28005	NUT HEX, SLOTTED, 7/8	2
28	17G144	HUB CAP	2
29	YPCT05010	COTTER PIN 5/32 X 1-1/2	2
30	T138	RATCHET JACK W/ HANDLE	1
31	68966	PLATE	4
32	68967	PLATE	4





REF #	PART #	DESCRIPTION	QTY
1	67189	STANDOFF RH	1
2	UR1	9.5L X 15 8 PLY TIRE & TUBE	2
3	RG127	WHEEL 15 X 6, 6 BOLT	2
*	53854	WHEEL & TIRE ASSEMBLY	2
4	YBHH12125	BOLT HEX, FT, 3/8 X 3 G5	2
5	YWFL12005	WASHER FLAT, 3/8	4
6	YPCT05010	COTTER PIN, 5/32 X 1-1/2	2
7	YNNY12005	NUT HEX, 3/8 G5	2
8	BFR311	BRAKE COLLAR	2
9	BFR310	BRAKE PAD	4
10	17G144	HUB CAP	2
11	BFR309	GAUGE WHEEL WASHER	2
12	RG26	STEEL BUSHING	4
13	YNWL16005	NUT WHEEL, 1/2 G5	12
14	RG24	WASHER, THRUST, BRONZE	2
15	YPEX10025	EXPANSION PIN, 5/16 X 2-3/4	2
16	81647	CASTER RH	2
17	12N17	SEAL	2
18	12N18	TAPRE BEARING, KOYO	2
19	12N19	INNER RACE	2
20	YBSD16005	BOLT, STUD, 1/2 X 1-7/8 X 3/8 G5	12
21	17G145	TAPERED BEARING, KOYO	2
22	17G146	OUTER RACE	2
23	HD200	ROAD WHEEL SPINDLE WASHER	2
24	YNSL28005	NUT SLOT, 7/8 G2	2
25	RG101	HUB W/RACES AND STUDS, KOYO	2
26	58362	TRANSPORT LOCK BAR	1
27	YPLY12010	LYNCH PIN, 3/8 X 1-3/4	1



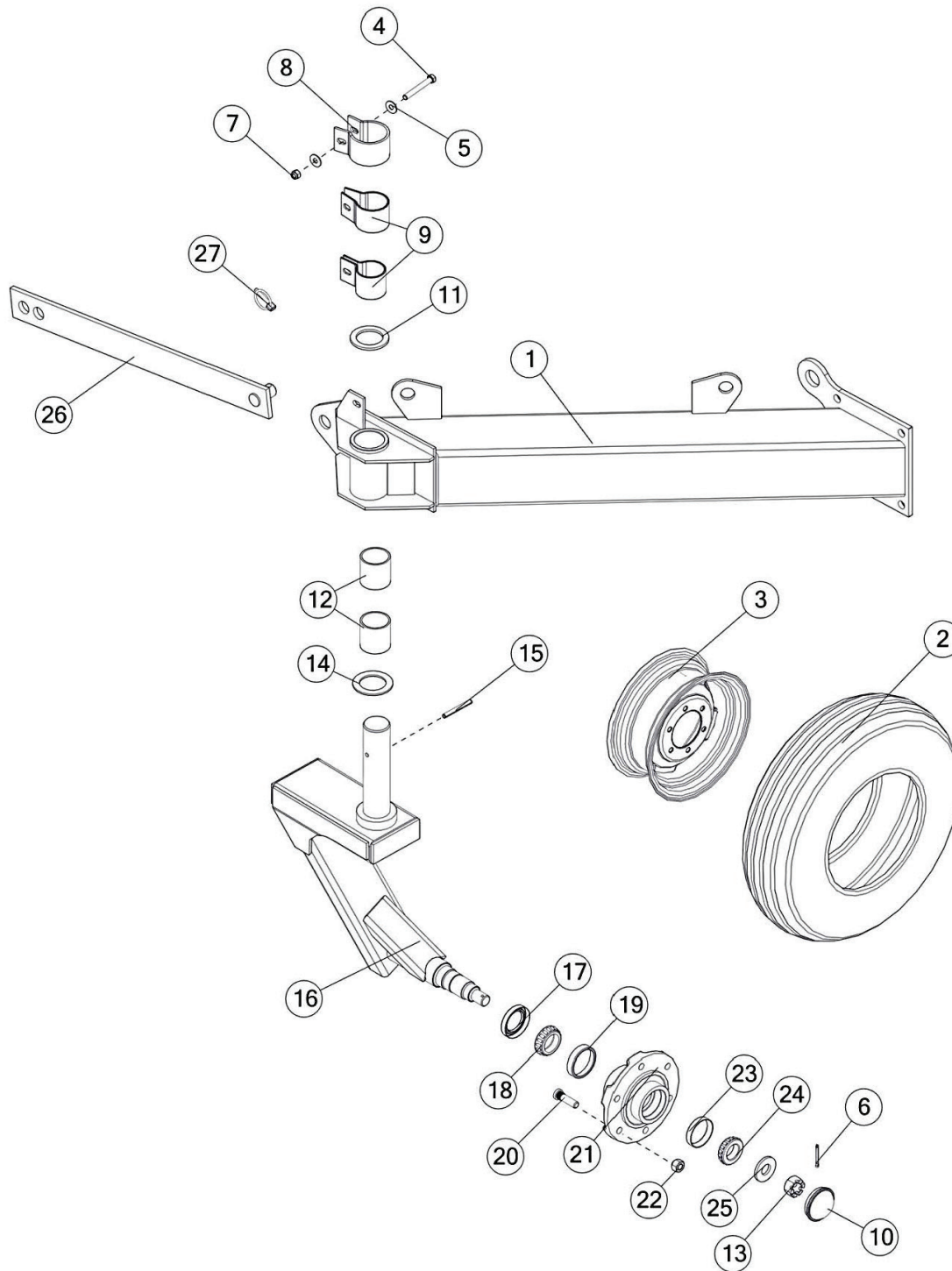


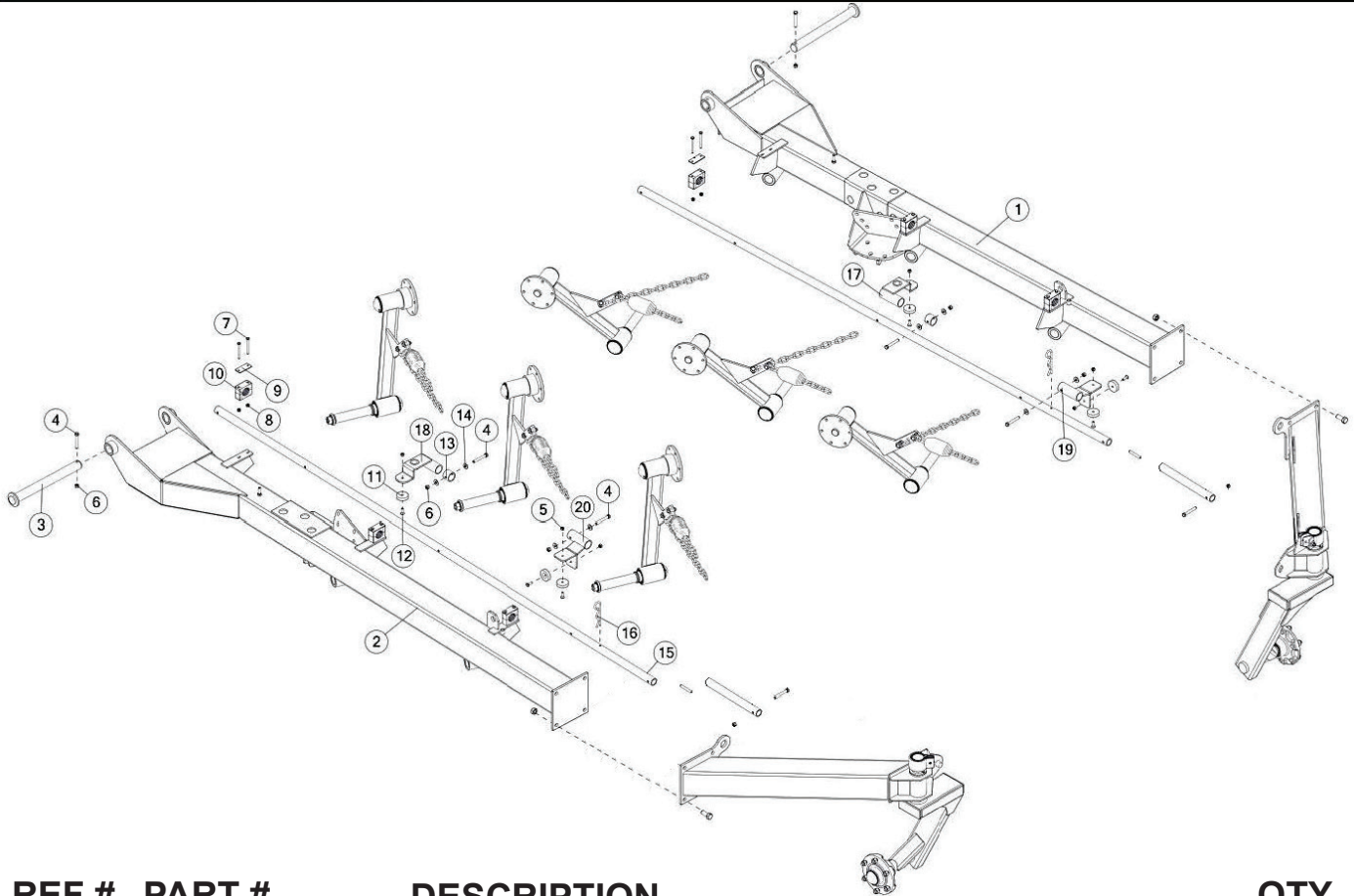


FIGURE 6

LEFT CASTER

REF #	PART #	DESCRIPTION	QTY
1	68878	STANDOFF LH	1
2	UR1	9.5L X 15 8 PLY TIRE & TUBE	2
3	RG127	WHEEL 15 X 6, 6 BOLT	2
*	53854	WHEEL & TIRE ASSEMBLY	2
4	YBHH12125	BOLT HEX, 3/8 X 3 G5	2
5	YWFL12005	WASHER FLAT, 3/8	4
6	YPCT05010	COTTER PIN, 5/32 X 1-1/2	2
7	YNNY12005	NUT HEX, NYLON LOCKNUT, 3/8	2
8	BFR311	BRAKE COLLAR	2
9	BFR310	BRAKE PAD	4
10	17G144	HUB CAP	2
11	BFR309	GAUGE WHEEL WASHER	2
12	RG26	STEEL BUSHING	4
13	YNSL28005	NUT SLOT, 7/8 G2	2
14	RG24	BRONZE WASHER THRUST	2
15	YPEX10025	EXPANSION PIN, 5/16 X 2-3/4	2
16	81646	CASTER LH	2
17	12N17	SEAL	2
18	12N18	INNER BEARING	2
19	12N19	INNER RACE	2
20	YBSD16005	STUD BOLT, 1/2 X 1-7/8	12
21	RG101	HUB W/RACES & STUDS	2
22	YNWL16005	WHEEL NUT, 1/2	12
23	12N25	OUTER BEARING	2
24	12N21	OUTER RACE	2
25	HD200	ROAD WHEEL SPINDLE WASHER	2
26	58362	TRANSPORT LOCK BAR	1
27	YPLY12010	LYNCH PIN, 3/8 X 1-3/4	1



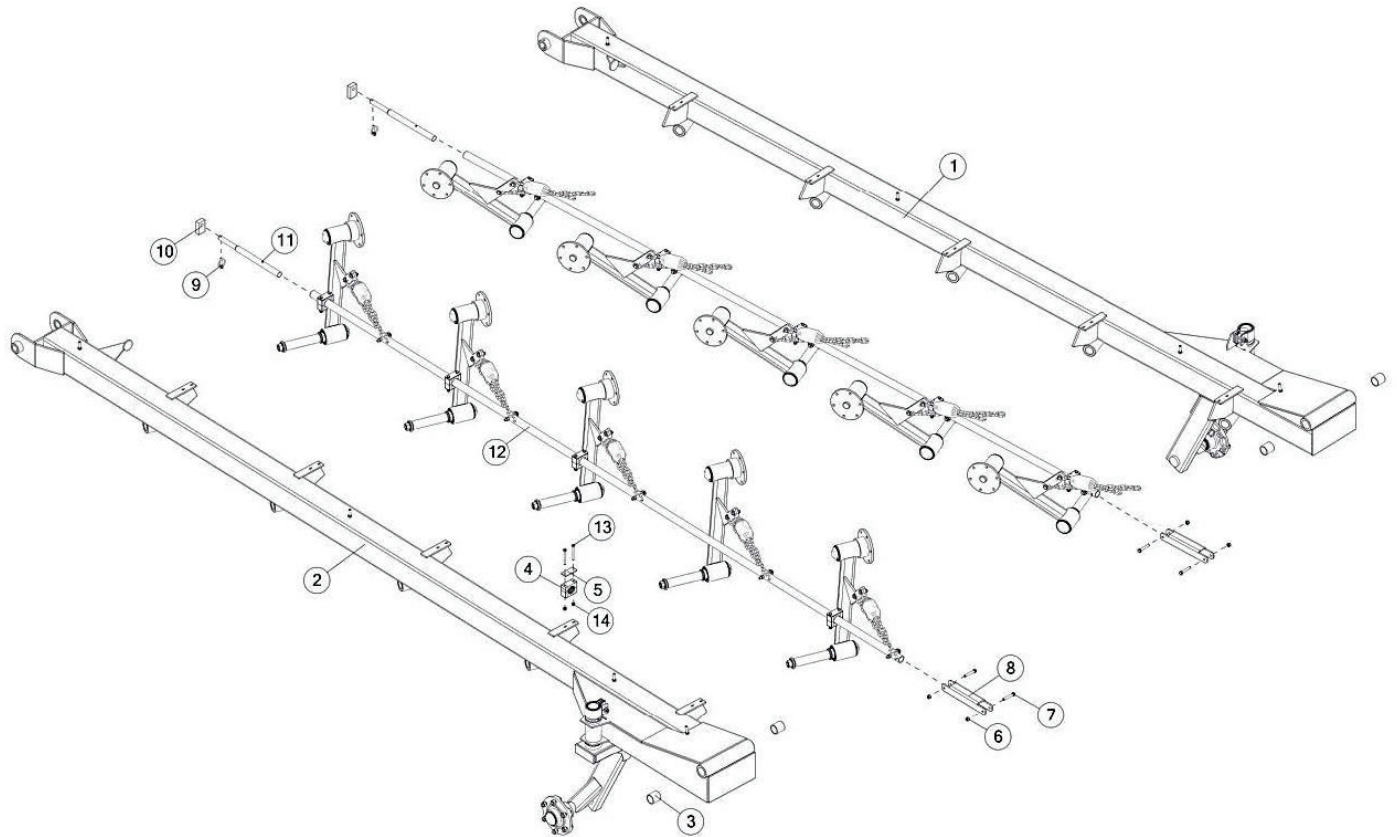


REF #	PART #	DESCRIPTION	QTY
1	67176	RAKE BEAM FRONT LH	1
2	67188	RAKE BEAM FRONT RH	1
3	67234	PIVOT PIN	2
4	YBHH12110	BOLT HEX, 3/8 X 2-3/4 G5	6
5	YNTL10005	NUT HEX, TOP LOCK, 5/16	8
6	YNTL12005	NUT HEX TOP LOCK, 3/8	4
7	YBHH08085	BOLT HEX, 1/4 X 3 G5	12
8	YNFG08005	HEX NUT, FLANGED, TOP LOCK, 1/4	12
9	56566	CLAMP TOP PLATE	6
10	69113	HOSE CLAMP CUSHION TUBE 1-1/2	6
11	FR51	SLIDER PAD	6
12	YSFS10005	SCREW, FLAT HEAD, SOCKET CAP, 5/16 X 1	6
13	FR50	SLIDE STOP	2
14	YWFL12005	WASHER FLAT, 3/8	8
15	71234	LIFT PIPE FRONT	2
16	YPHR08040	HAIR PIN, 1/4 X 5	2
17	FR31	PIPE LIFTER LH	1
18	FR32	PIPE LIFTER RH	1
19	FR39	PIPE STABILIZER LH	1
20	FR40	PIPE STABILIZER RH	1



FIGURE 8

RIGHT & LEFT BACK RAKE BEAMS



REF #	PART #	DESCRIPTION	QTY
1	72448	BEAM REAR LH	1
2	72463	BEAR REAR RH	1
3	FR83	IRON BUSHING	4
4	69113	HOSE CLAMP CUSHION TUBE 1-1/2	8
5	56566	CLAMP TOP PLATE	8
6	YNTL12005	NUT HEX, TOP LOCK, 3/8	4
7	YBHH12105	BOLT HEX, 3/8 X 2-1/4 G5	4
8	58392	PIPE LINKAGE	2
9	YPLY08011	LYNCH PIN, 1/4 X 1-9/16	2
10	64103	RAKE PRESSURE HANDLE	2
11	BFR486	RAKE ARM LOCK-UP SHAFT	2
12	68848	PIPE	2
13	YBHH08085	BOLT HEX, 1/4 X 3 G5	16
14	YNFG08005	NUT HEX, FLANGED, TOP LOCK, 1/4	16



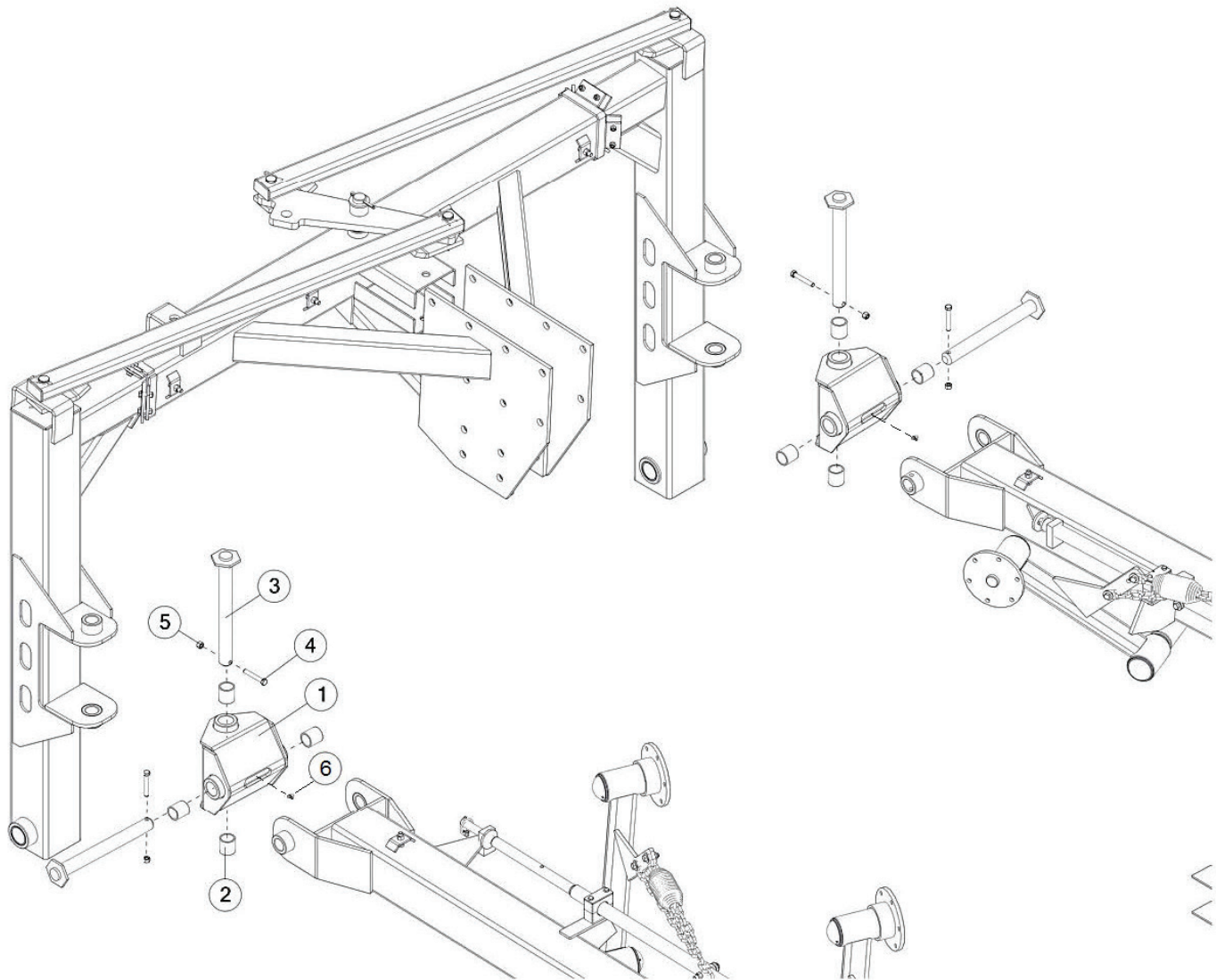




FIGURE 9 U-JOINT ASSEMBLY

REF #	PART #	DESCRIPTION	QTY
1	72443	BEAM, U JOINT	2
2	RG132	BUSHING	8
3	67217	U JOINT PIN	4
4	YBHH12090	BOLT HEX, 3/8 X 2-1/2 G5	4
5	YNTL12005	NUT HEX, TOP LOCK, 3/8	4
6	DWM133	1/8 PIPE - 45 DEGREE ZERK	4



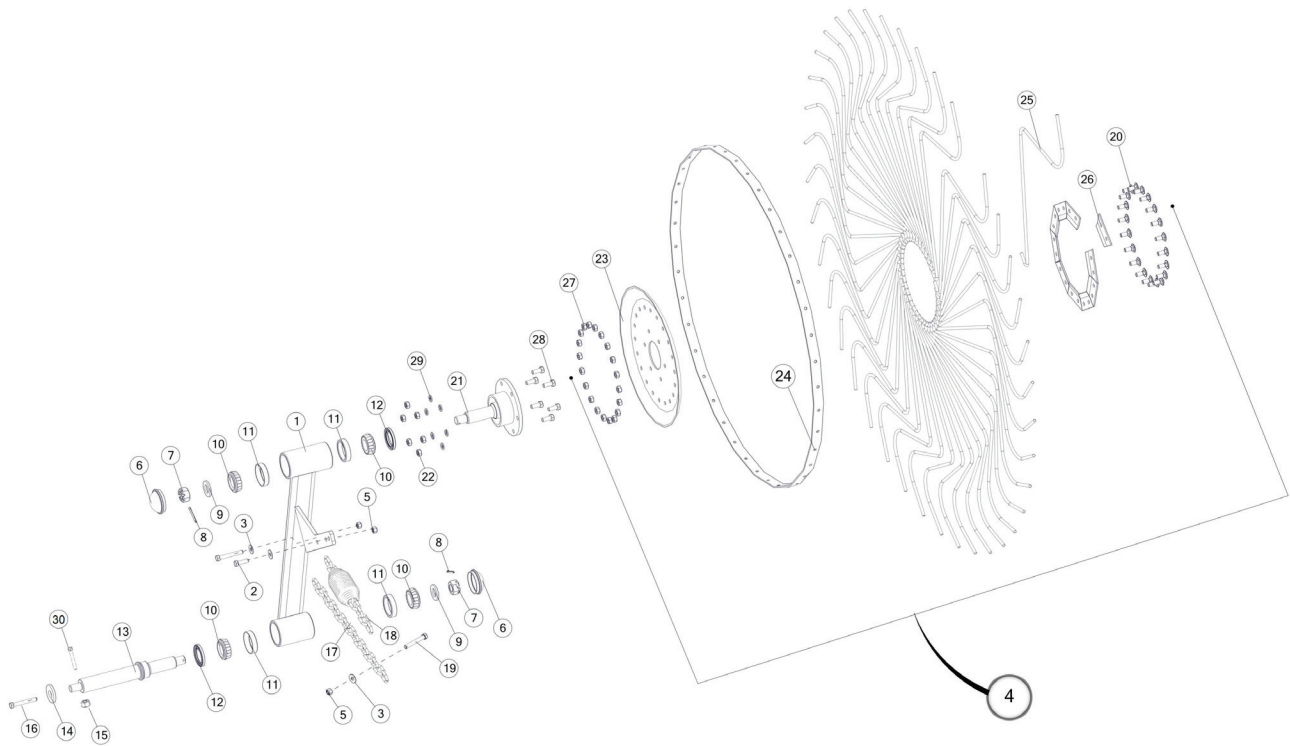




FIGURE 10

RAKE WHEEL ASSEMBLY

REF #	PART #	DESCRIPTION	QTY
1	FR6	RAKE ARM RH	8
*	FR7	RAKE ARM LH	8
2	YBHH12035	BOLT HEX, 3/8 X 1-1/4 G5	32
3	YWFL12005	WASHER FLAT, 3/8	48
4	FR70	RAKE WHEEL RH, 60 IN	8
*	FR69	RAKE WHEEL LH, 60 IN	8
5	YNL12005	NUT HEX, TOP LOCK, 3/8	48
6	17G144	HUB CAP	32
7	YNSL28005	NUT HEX, SLOTTED, 7/8	32
8	YPCT05010	COTTER PIN, 5/32 X 1-1/2	32
9	YWFL28010	WASHER FLAT, 7/8	32
10	HD122	TAPER BEARING	64
11	3G18	BEARING RACE	64
12	HD124	SEAL	32
13	96835	PIVOT SPINDLE	16
14	YWCU99005	WASHER, CUSTOM, FENDER 3/8 X 2"OD	16
15	YNFG12006	NUT FLANGE, 3/8 GF	16
16	YBFB12075	BOLT FLANGE, 3/8 X 3/4 G5	16
17	FR58	CHAIN (15 LINKS)	16
18	8771	RAKE WHEEL SPRING	16
19	YBHH12110	BOLT HEX, 3/8 X 2-3/4 G5	16
20	YBCR76005	BOLT CARRIAGE, 10MM X 25MM	320
21	FR24	RAKE WHEEL HUB	16
22	YNHX76015	NUT HEX, M10-1.5	96
23	FR71	RAKE WHEEL CENTER	16
24	FR72	RAKE WHEEL OUTER RING	16
25	FR73	RAKE WHEEL TOOTH	640
26	FR74	RAKE TOOTH CLIP	320
27	YNLC76005	NUT LOCK, 10 MM	320
28	YBHH76015	BOLT HEX, M10-1.5 X 25, 10.9	96
29	YWLO76015	WASHER LOCK, M10	96
30	YBFB12300	BOLT FLANGE, 3/8 X 3 G5	16





FIGURE 11

HYDRAULICS

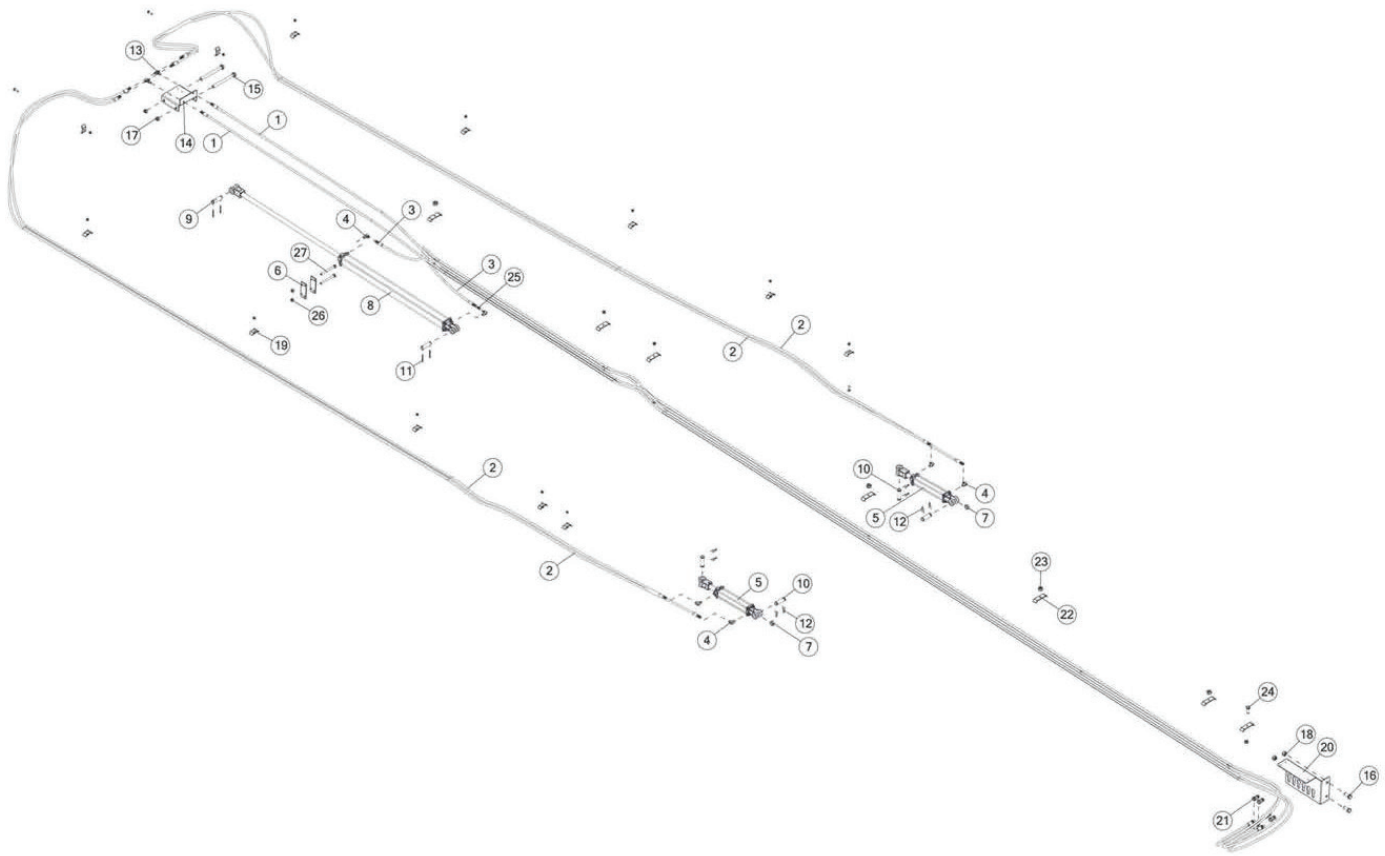




FIGURE 11 HYDRAULICS

REF #	PART #	DESCRIPTION	QTY
1	71768	HYDRAULIC HOSE, 6, 451IN	2
2	71771	HYDRAULIC HOSE, 6, 336IN	4
3	71769	HYDRAULIC HOSE, 6, 396IN	2
4	CHM268	FITTING, 90, 6JIC X 6ORB	6
5	66933	HYDRAULIC CYLINDER 2 X 10 W/ORB PORTS	2
6	58692	CYLINDER SPACER	2
7	58374	SPACER	2
8	71386	CYLINDER 2-1/2 X 40 W/ORB PORTS	1
*	58687	SEAL KIT	1
9	BFR634	CYLINDER PIN	2
10	T143	HYD CYLINDER PIN	4
11	YPCT06020	COTTER PIN, 3/16 X 2	4
12	53371	CYLINDER PIN	8
13	8005	BULKHEAD TEE FITTING	2
14	58411	HYD MOUNT	1
15	YBHH24115	BOLT HEX, 3/4 X 8-1/2 G5	2
16	YBHH24014	BOLT HEX, 3/4 X 1-3/4 G5	2
17	YNHX24004	NUT HEX, 3/4 G5	2
18	YNL24005	NUT HEX, TOP LOCK, 3/4	2
19	23N67	HOSE BRACKET FRONT	12
20	60269	HOSE HOLDER	1
21	67148	QUICK COUPLER	4
22	58448	HOSE BRACKET	6
23	YNL12005	NUT HEX, TOP LOCK, 3/8	15
24	YBHH20020	BOLT HEX, 3/8 X 1-1/2 G5	1
25	58143	FITTING, 06-06 M/F ORIFICE, 0.047	1
26	YNRL16005	NUT HEX, REVERSIBLE-SIDE LOCK, 1/2	2
27	YBHH16160	BOLT HEX, 1/2 X 5-1/2 G5	2



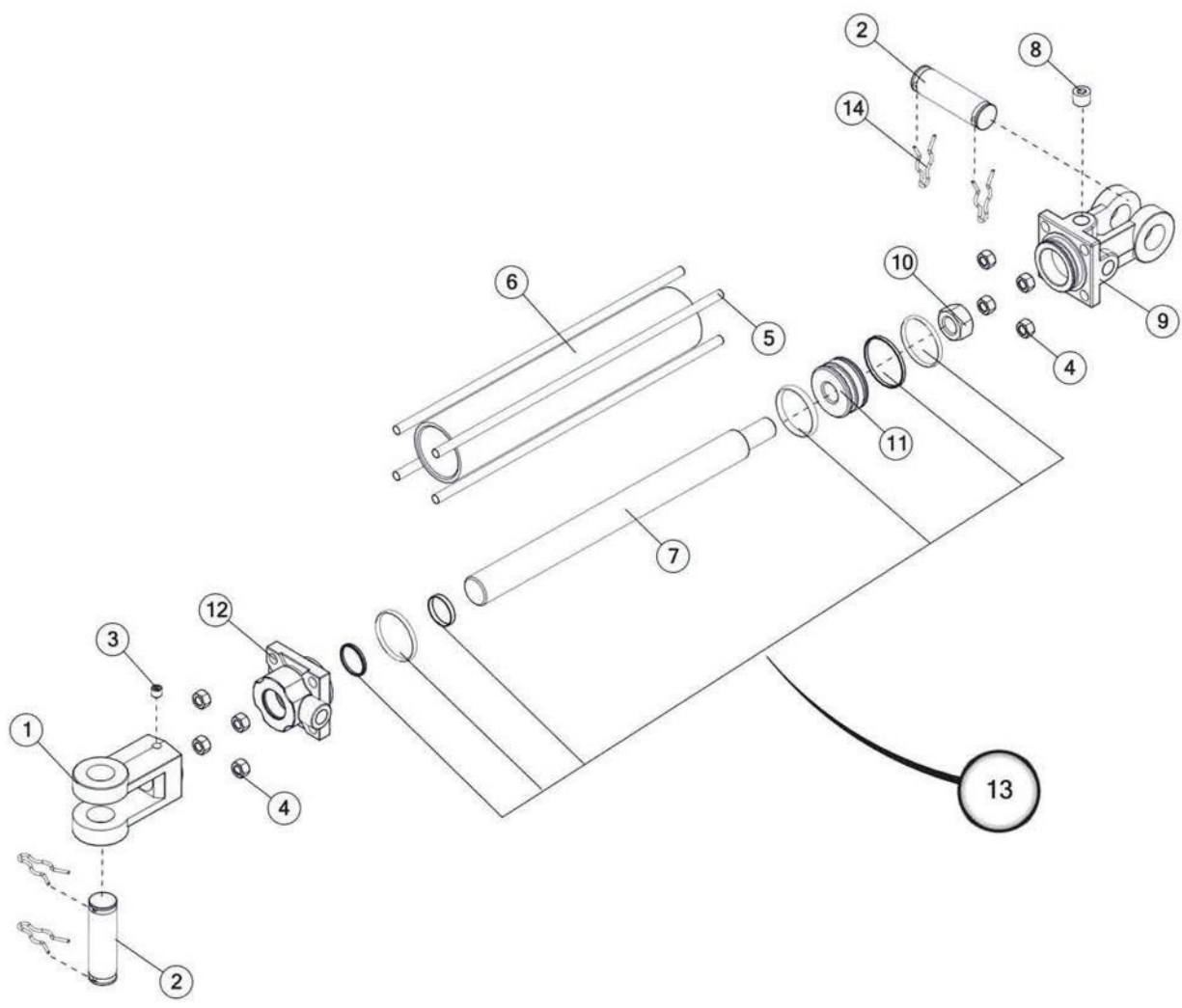




FIGURE 12

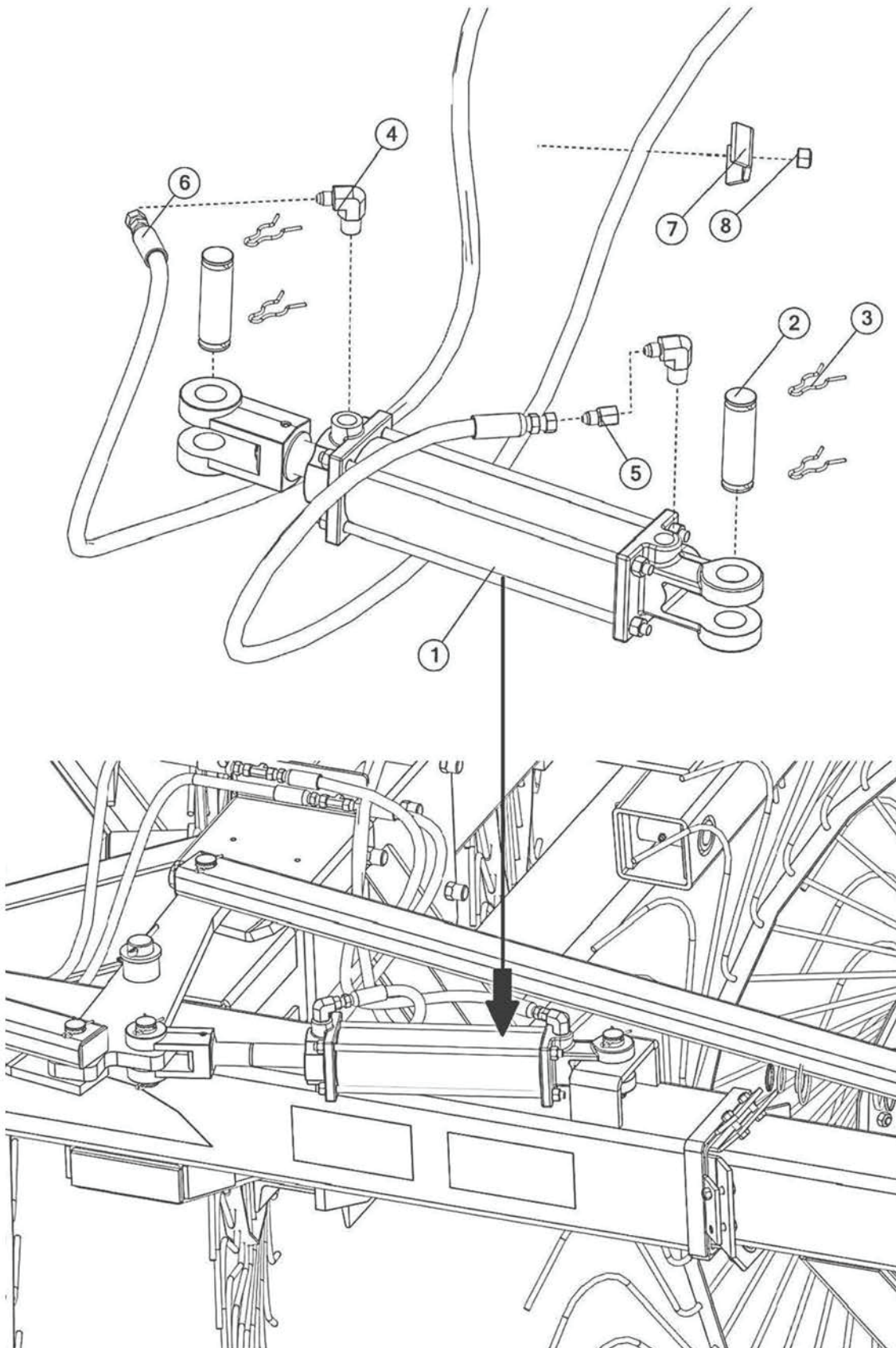
LIFT CYLINDER

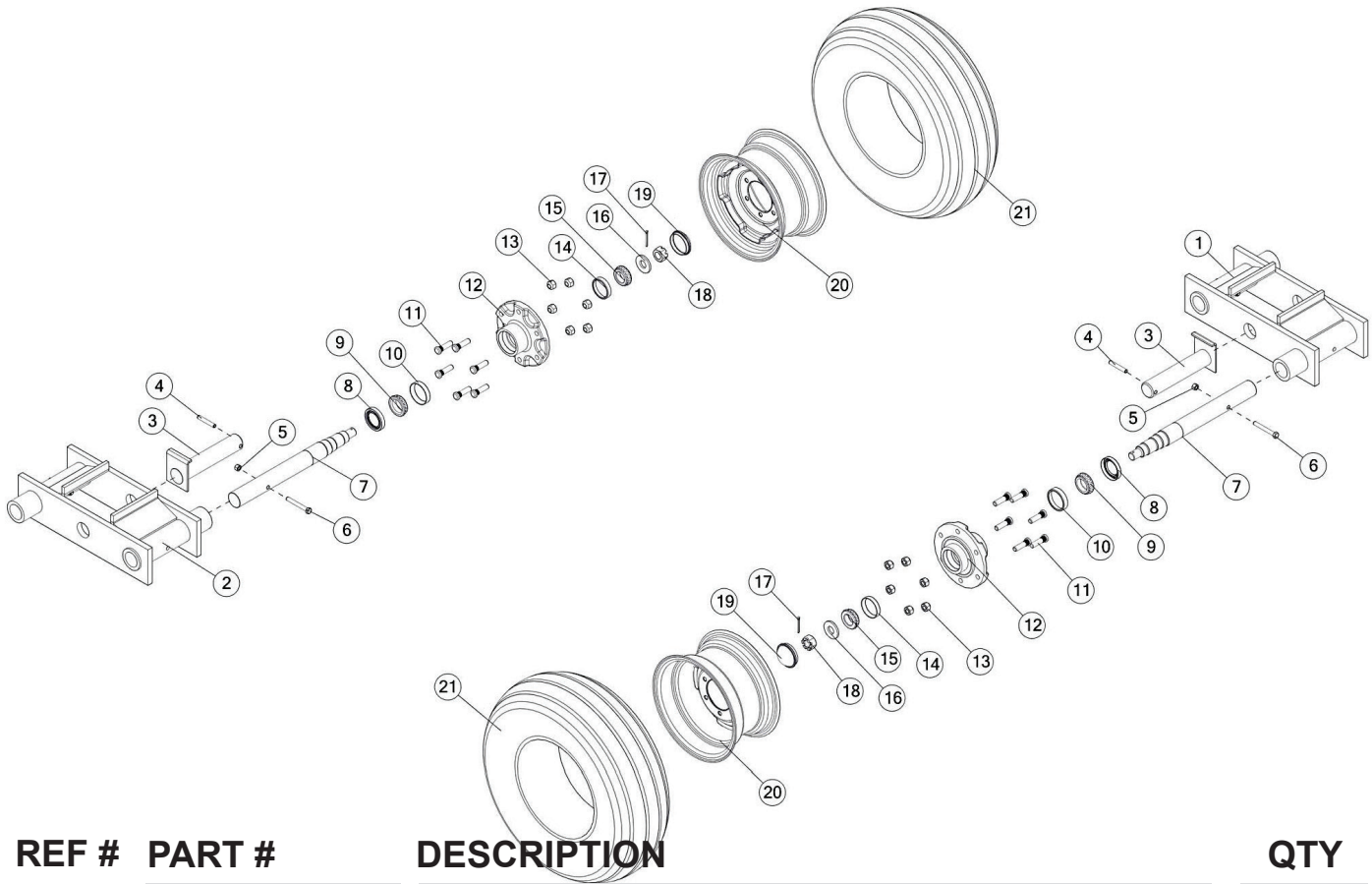
REF #	PART #	DESCRIPTION	QTY
1	23N150A	ROD CLEVIS	1
2	T143	HYD CYLINDER PIN	2
3	YSSO12015	SET SCREW, SOCKET, 3/8 X 3/8	1
4	YNHX12006	NUT HEX, 3/8-24	8
5	16SV170	TIE ROD	4
6	16SV169	CYLINDER TUBE	1
7	16SV168A	CYLINDER ROD FOR 2 X 10	1
8	SD270	HOLLOW HEX PLUG 6	1
9	23N142A	CLEVIS CAP	1
10	23N148	PISTON NUT	1
11	56180	PISTON	1
12	56174	ROD CAP	1
13	56187	SEAL KIT	1
14	53371	CYLINDER PIN	1
*	66933	HYD CYLINDER 2 X 10 W/ORB PORTS	1





FIGURE 13
OPTIONAL
HYDRAULIC REAR OPENING CYLINDER



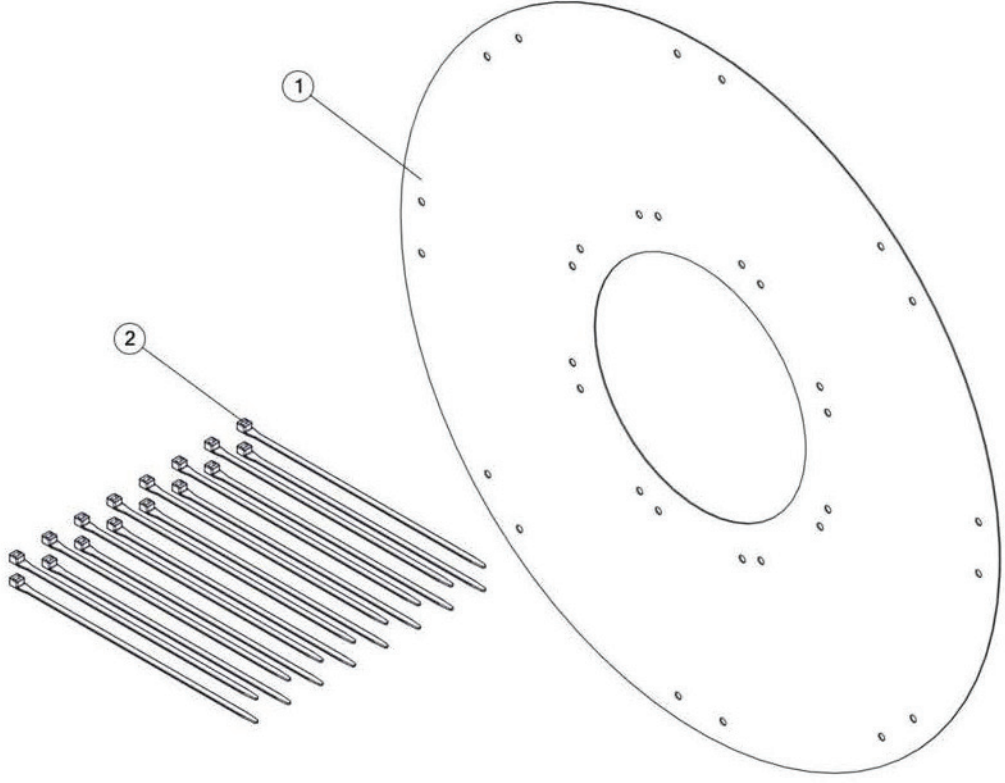


REF #	PART #	DESCRIPTION	QTY
1	71736	TANDEM RH	1
2	71739	TANDEM LH	1
3	58277	AXLE PIVOT PIN	2
4	YPEX12023	EXPANSION PIN, 3/8 X 2-1/2	2
5	YNTL12005	NUT HEX, TOP LOCK, 3/8	4
6	YBHH12120	BOLT HEX, 3/8 X 3 G5	4
7	FR55	BACK SPINDLE	2
8	12N17	SEAL	2
9	12N18	INNER BEARING	2
10	12N19	INNER RACE	2
11	YBSD16005	BOLT STUD, 1/2 X 1-7/8	12
12	RG101	HUB W/RACES AND STUDS	2
13	YNWL16005	NUT WHEEL, 1/2	12
14	17G146	OUTER RACE	2
15	17G145	OUTER BEARING	2
16	HD200	ROAD WHEEL SPINDLE WASHER	2
17	YPCT05010	COTTER PIN, 5/32 X 1-1/2	2
18	YNSL28005	NUT HEX, SLOTTED, 7/8	2
19	17G144	HUB CAP	2
20	RG127	WHEEL 15 X 6, 6 BOLT	2
21	UR1	9.5L X 15 8 PLY TIRE & TUBE	2
*	53854	9.5 L X 15 TIRE ON 15 X 6 WHEEL	2



FIGURE 15

**OPTIONAL
WIND GUARD**



REF #	PART #	DESCRIPTION	QTY
1	59039	POLY WIND GUARD, 60	1
2	CIZT105	ZIPTIE, 15 IN	16



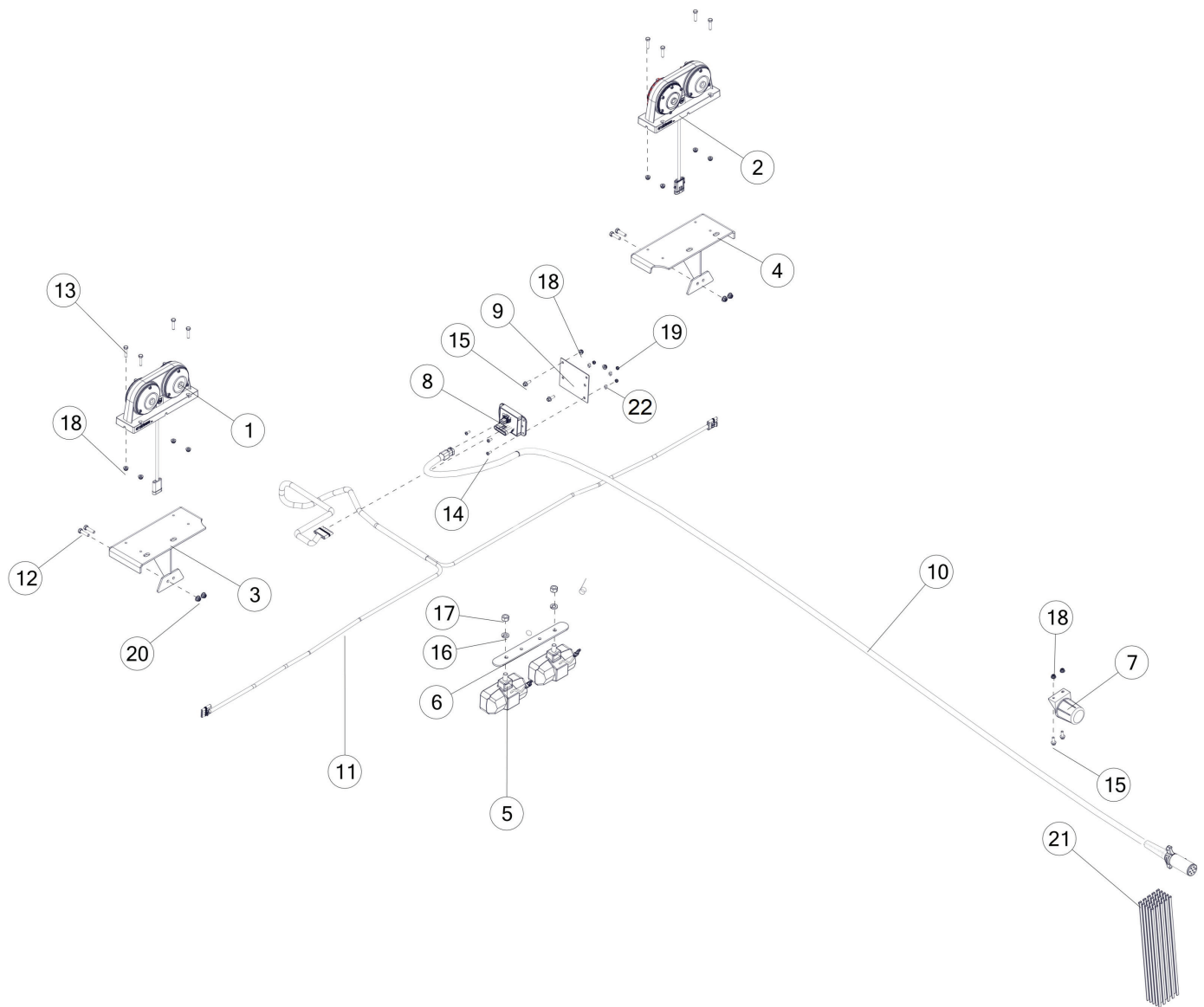




FIGURE 16

OPTIONAL LIGHTING

REF #	PART #	DESCRIPTION	QTY
1	77924	TAIL LIGHT RH	1
2	77923	TAIL LIGHT LH	1
3	88291	LIGHT MOUNT, RH	1
4	88292	LIGHT MOUNT, LH	1
5	DWM130	FLOODLIGHT - WORKING LIGHT	2
6	91519	WORK LIGHT BRACKET	1
7	CHM38	PLUG STORAGE	1
8	69908	CONTROL BLINKER MODULE	1
9	91528	MODULE BRACKET	1
10	91496	HARNESS, MAIN	1
11	77847	LIGHT HARNESS, BACK	1
12	YBHH10045	BOLT HEX, 5/16 X 1-1/4 G5	4
13	YBHH08030	BOLT HEX, 1/4 X 1-1/4 G2	8
14	YSPN64005	SCREW PAN HEAD, #10-24 X 5/8	3
15	YBFB08075	BOLT FLANGE, 1/4 X 3/4 G5	4
16	YWLO16005	WASHER LOCK , 1/2	2
17	YNHX16005	NUT HEX, 1/2 G2	2
18	YNFG08010	NUT FLANGE , 1/4 GF	12
19	YNNY64005	NUT HEX, NYLON INSERT LOCKNUT, #10	3
20	YNFG10005	NUT FLANGE, 5/16 GF	4
21	CIZT105	ZIPTIE, 15	25
22	YWFL06010	WASHER, FLAT, 3/16 USS	3



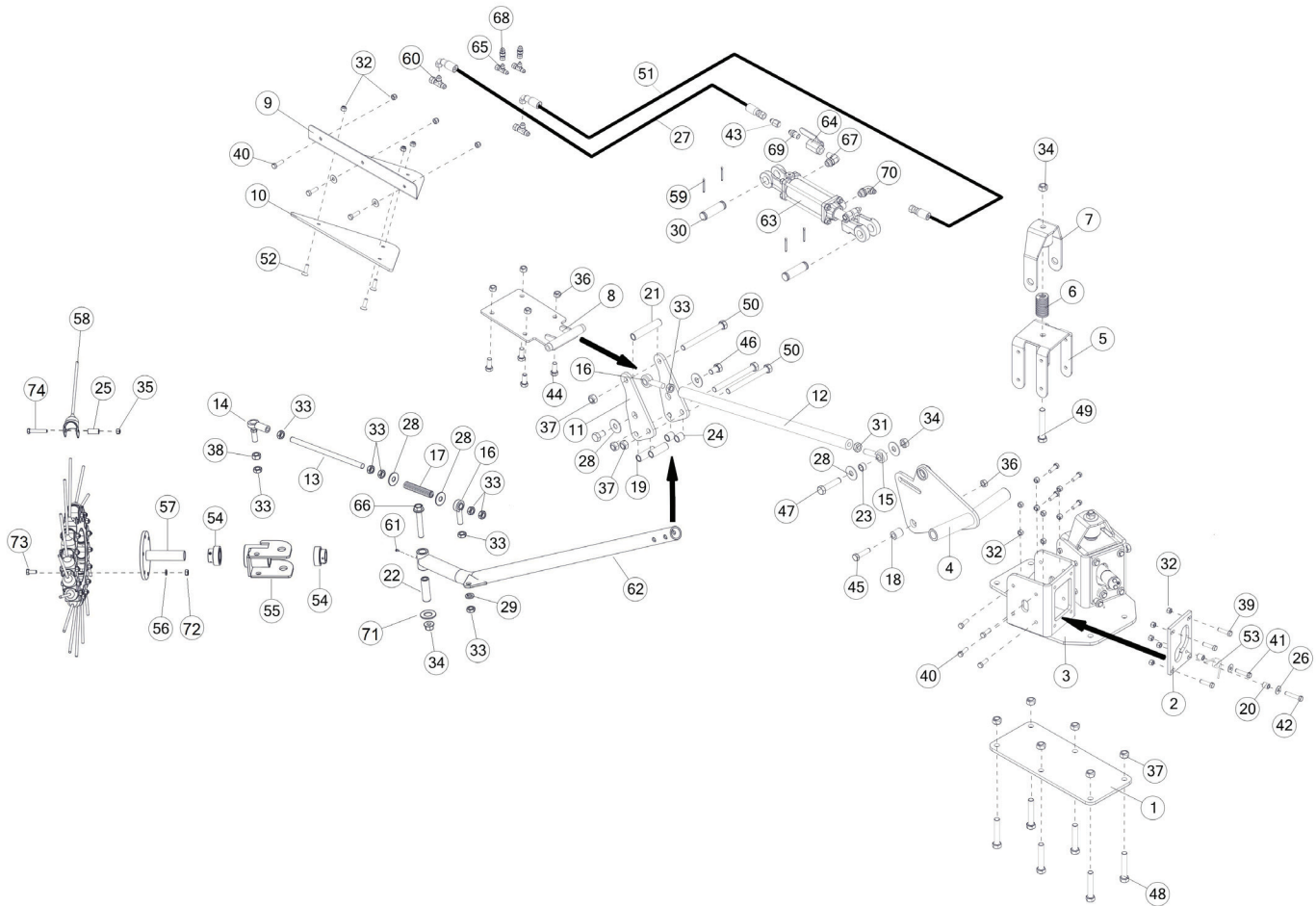
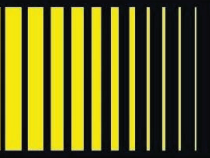




FIGURE 17

OPTIONAL KICKER WHEEL

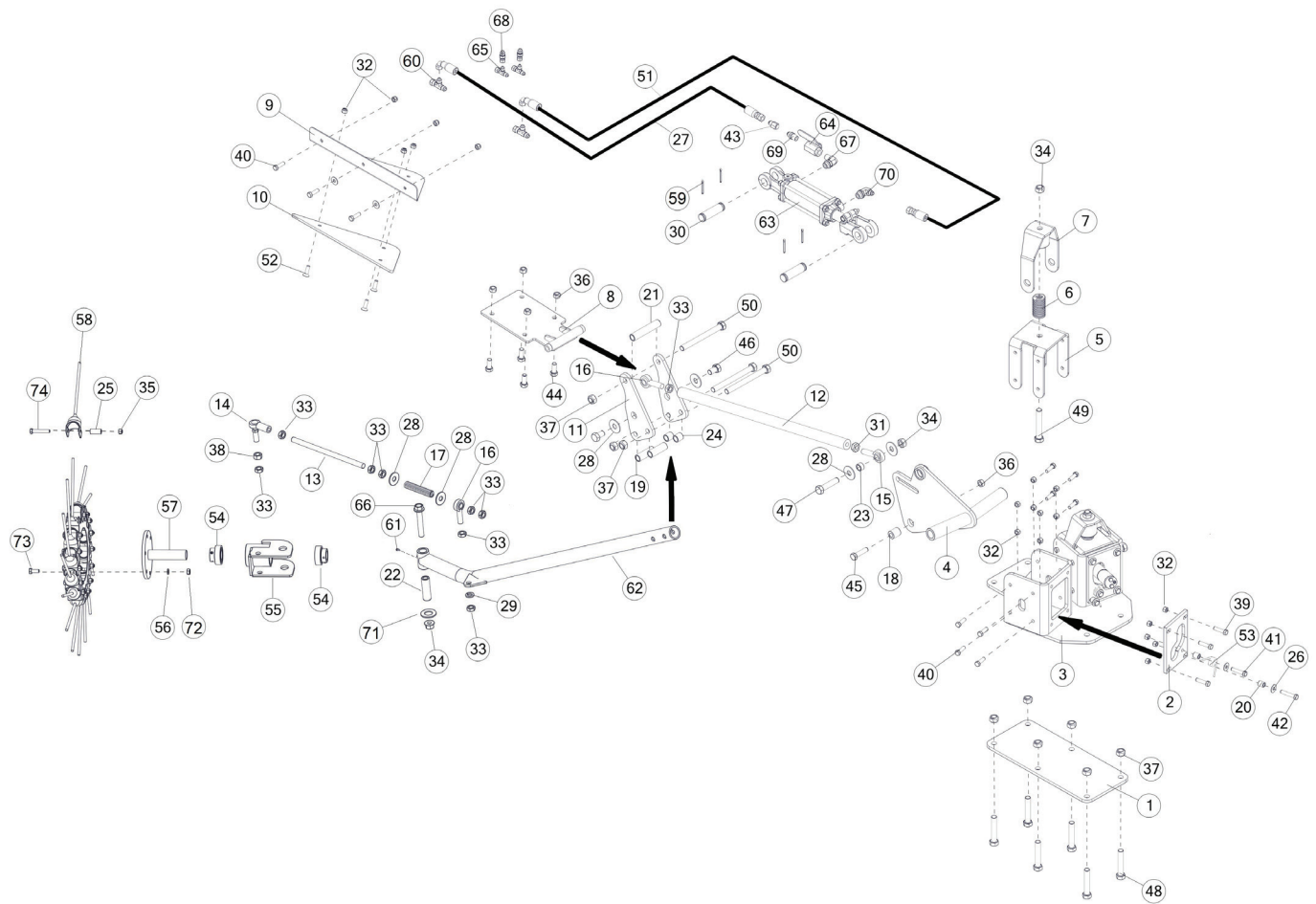
REF #	PART #	DESCRIPTION	QTY
1	71496	PLATE	1
2	71526	PLATE	2
3	71486	KICKER MAIN	1
4	71495	KICKER BELL	1
5	71500	SPRING BASE BRACKET	2
6	71574	DIE SPRING	2
7	71534	SPRING YOKE	2
8	71521	PIVOT	1
9	71185	KICKER DEFLECTOR BRACKET	1
10	71192	POLY DEFLECTOR PANEL, 1/4	1
11	71522	PLATE	2
12	71601	TUBE	1
13	71618	ALLTHREAD, 5/8 X 12.5	1
14	71599	BALL JOINT BEARING, 5/8	1
15	71593	ROD END BEARING, 5/8 LH	1
16	71594	ROD END BEARING RH	2
17	71296	SPRING	1
18	71487	BUSHING	1
19	71548	STEEL BUSHING	2
20	71568	TUBE	2
21	71577	STEEL BUSHING	1
22	93655	CYLINDER SPACER	1
23	71605	STEEL BUSHING	1
24	71536	STEEL BUSHING	2
25	70807	TUBE	15
26	YWFL12005	WASHER FLAT, 3/8	2
27	90544	HYDRAULIC HOSE, 6 X 162	1
28	YWFL20005	WASHER FLAT, 5/8	6
29	YWLO20005	WASHER LOCK, 5/8	1
30	T143	CYLINDER PIN	1
31	YNJM20011	NUT HEX, 5/8 G5	1
32	YNFG12006	NUT FLANGE, 3/8	24
33	YNJM20010	NUT HEX, JAM, 5/8	8
34	YNFG10005	NUT FLANGE, 5/16 GF	3
35	YNTL12005	NUT HEX, TOP LOCK, 3/8	15
36	YNFG16003	NUT FLANGE, 1/2 GF	5
37	YNTL20005	NUT HEX, TOP LOCK, 5/8	9
38	YNHX20008	NUT, HEX, 5/8-18, NA, A, ZC	1
39	YBFB12150	BOLT FLANGE, 3/8 X 1-1/2	6
40	YBFB12125	BOLT FLANGE, 3/8 X 1-1/4 G5	11
41	YBFB12175	BOLT FLANGE, 3/8 X 1-3/4 G5	2

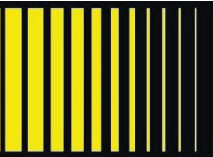




FIGURE 17

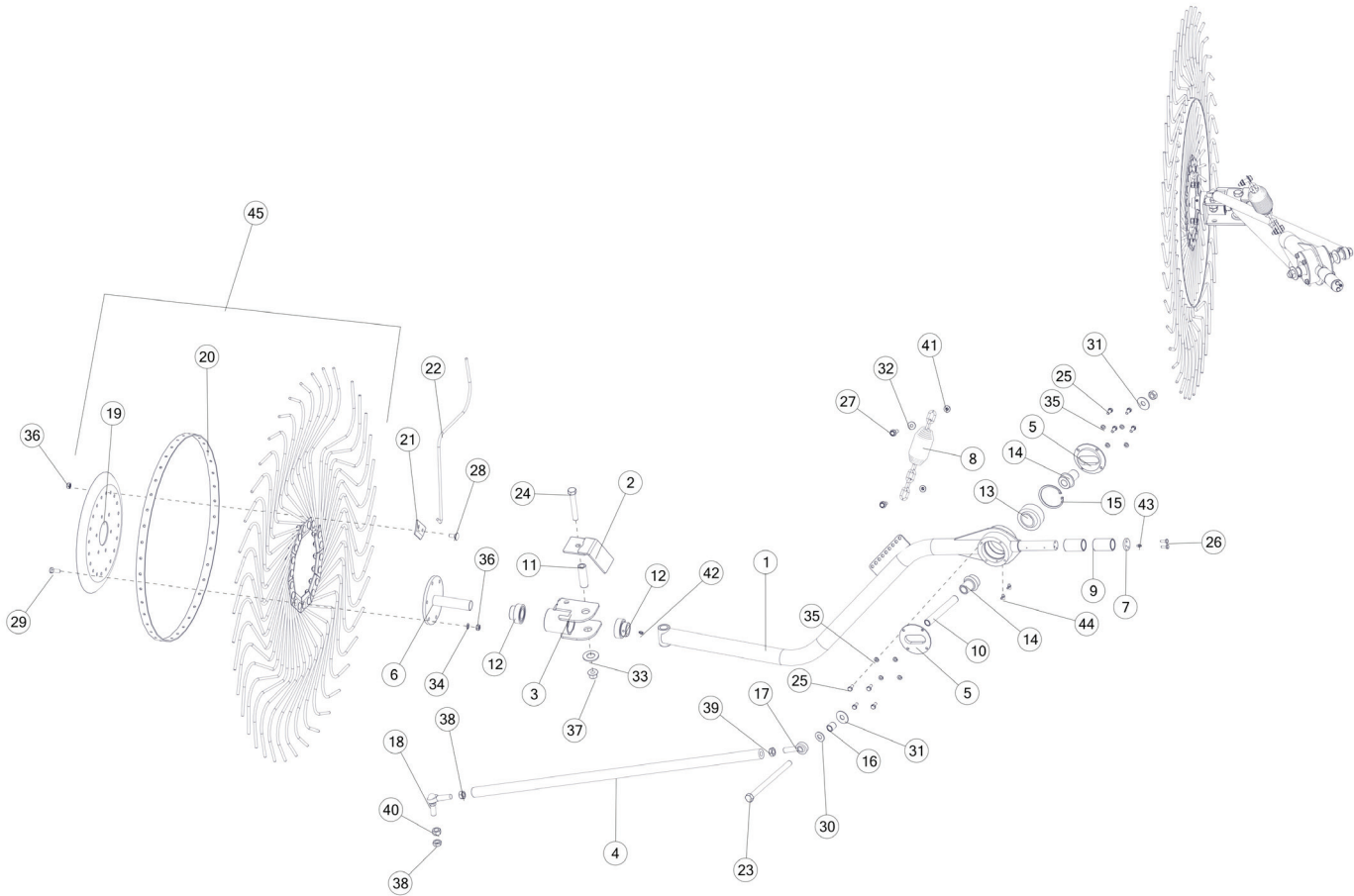
OPTIONAL KICKER WHEEL





REF #	PART #	DESCRIPTION	QTY
42	YBFB12225	BOLT FLANGE, 3/8 X 2-1/4 G5	2
43	90534	IN-LINE CONNECTOR, ORIFICE, 4-XHX7-S .022	1
44	YBFB16150	BOLT FLANGE, 1/2 X 1-1/2 G5	4
45	YBFB16200	BOLT FLANGE, 1/2 X 2 G5	1
46	YBHH20005	BOLT HEX, 5/8 X 1 G5	2
47	YBHH20045	BOLT HEX, 5/8 X 2-3/4 G5	1
48	YBFB20350	BOLT FLANGE, 5/8 X 3-1/2 G5	6
49	YBHH20065	BOLT HEX, 5/8 X 4 G5	2
50	YBHH20103	BOLT HEX, 5/8 X 6-1/2 G5	3
51	71780	HYDRAULIC HOSE, 6, 201IN	1
52	YSFS12005	SCREW FLAT, HEAD SOCKET CAP, 3/8 X 1-1/4	3
53	71570	TORSION SPRING	2
54	BFR525	BEARING W/LOCK COLLAR	2
55	93653	RAKE HUB PIVOT	1
56	YWLO76015	WASHER LOCK, M10	6
57	93650	RAKE WHEEL HUB	1
58	T82	RUBBER MOUNTED TOOTH	15
59	YPCT05010	COTTER PIN 5/32 X 1-1/2	4
60	CHM242	TEE SWIVEL RUN	2
61	MS26	SHORT SHANK ZERK (STRAIGHT)	1
62	71529	CENTER POLE	1
63	70797	HYD CYL, 10.2 X 14.2	1
*	72160	CYLINDER TIE ROD	1
*	72161	SEAL KIT	1
64	16SV338	BALL VALVE, 3/8	1
65	58101	FITTING 4 R6X-S	2
66	YBFB20400	BOLT FLANGE, 5/8 X 4 G5	1
67	70158	FITTING, 90, 3/4ORB, 3/8NPT, STL	1
68	71802	FITTING, ST, 6 MALE JIC, 4 FEMALE JIC, STL	2
69	58124	FITTING STRAIGHT, 04JIC, 06NPT	1
70	CHM206	FITTING, 90, 6JIC X 8ORB	1
71	YWFL32005	WASHER, FLAT, SAE 1	1
72	YNHX76015	NUT HEX, M10-1.5	6
73	YBHH76015	BOLT HEX, M10-1.5 X 25	6
74	YBHH12100	BOLT HEX, 3/8 X 2-1/4 G5	15





REF #	PART #	DESCRIPTION	QTY
1	71558	RIGHT POLE	1
*	71560	LEFT POLE	1
2	85319	RAMP BRACKET	2
3	93653	RAKE HUB PIVOT	2
4	71600	TIE ROD	2
5	71562	PLT 4.25 X 0.50, KICKER GUIDE	4
6	93650	RAKE WHEEL HUB	2
7	71993	PLT, 1.50 X 1.50 X 0.25, KEEPER	2
8	8771	RAKE WHEEL SPRING	2
9	71563	BSH, 1.50 X 1.25 X 2.47	4
10	71535	BSH, .875 X .635 X 6.374	2

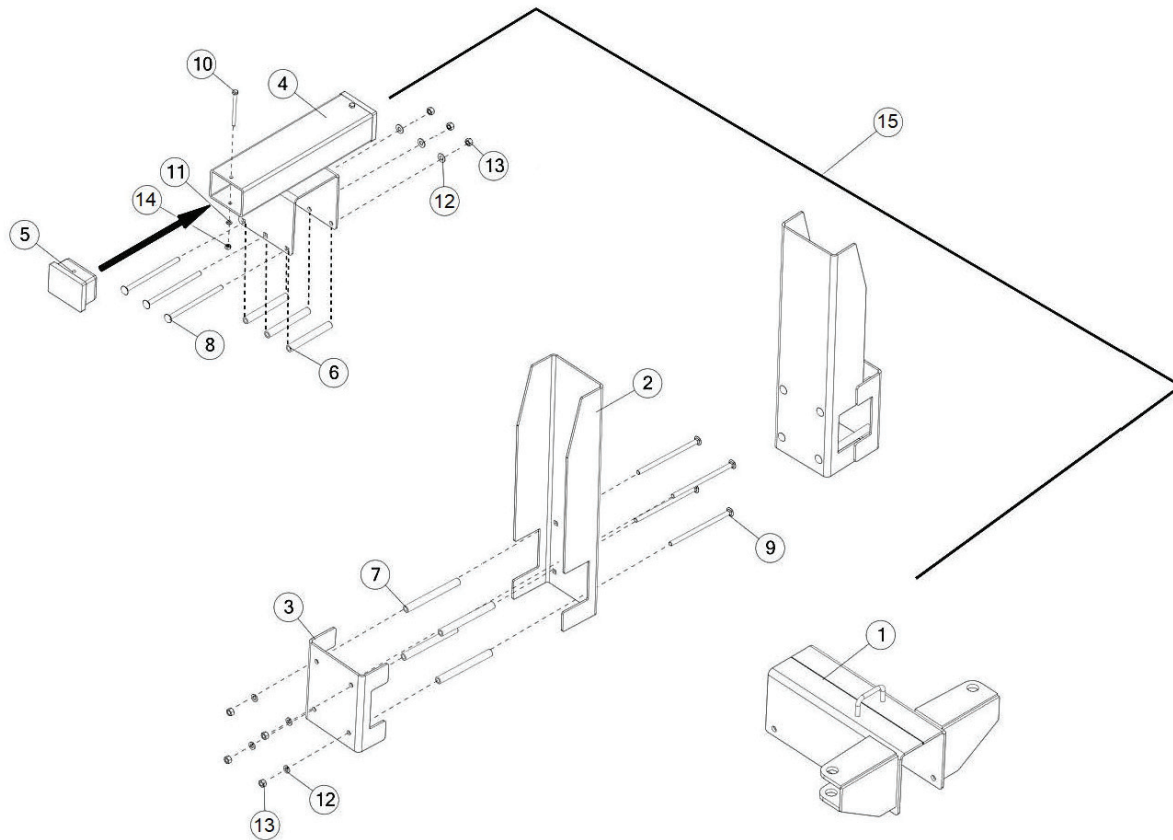


FIGURE 17

OPTIONAL KICKER WHEEL

REF #	PART #	DESCRIPTION	QTY
11	93655	CYLINDER SPACER	2
12	BFR525	PEER FHR206-20 BEARING 1-1/4"	4
13	71553	BRG, 3.125 X 1.75 X 1.56	2
14	71550	BSH, 2.08 X 0.89 X 2.44, STL	4
15	71608	SNAP RING	2
16	71536	BSH, 0.88 X 0.66 X 0.88, STL	2
17	71593	BRG, 5/8 ROD END LH	2
18	71598	BRG, BALL JOINT 5/8-18 M	2
19	FR71	RAKE WHEEL CENTER 60 IN BLACK	2
20	T177A	OUTER RING FOR 48" RAKE WHEEL	2
21	FR74	RAKE TOOTH CLIP BLACK	20
22	10WR42	RAKE WHEEL TOOTH, 49", BLACK	80
23	YBHH20120	BOLT, 5/8-11 X 9" GR 5	2
24	YBHH20067	BOLT, 5/8-11 X 4-1/4 GR 5, ZINC	2
25	YBHH10105	BOLT, 5/16 X 3/4 GR 5	16
26	YBHH08102	BOLT, 1/4 X 3/4 GR 8, YELLOW ZINC	4
27	YBFB12150	BOLT FLG, 3/8 X 1-1/2 G5	1
28	YBCR76005	BOLT, CARR, M10-1.5 X 25MM, 8.8, NF	40
29	YBHH76015	BOLT, HEX, M10-1.5 X 25, 10.9, ZC	12
30	YWFL20010	WASHER, FLAT, 5/8" SAE GR 8 YELLOW ZINC	2
31	YWFL20005	WASHER, FLAT, 5/8 USS	4
32	YWFL12005	WASHER, FLAT, 3/8 USS	2
33	YWFL32005	WASHER, FLAT, SAE 1.00, ZINC	2
34	YWLO76015	WASHER, LOCK, M10	12
35	YWLO10005	WASHER, LOCK, 5/16	16
36	YNHX76015	NUT, HEX, M10-1.5, NA, CL10, ZC	32
37	YNFG20005	NUT, FLG, 5/8-11, LKTL, F, ZC	2
38	YNJM20010	NUT JAM, 5/8 A	4
39	YNJM20011	NUT JAM, 5/8 G5 LH	2
40	YNHX20008	NUT, HEX, 5/8-18, NA, A, ZC	2
41	YNFG12006	NUT FLG, 3/8 GF	8
42	MS26	1/4"-28 STRAIGHT ZERK	2
43	G89	1/4"-28 STRAIGHT ZERK	2
44	RG51	ZERK, 90 DEGREE 1/4"-28	4
45	10WR17	LH RAKE WHEEL, 49" DIAMETER, BLACK	2



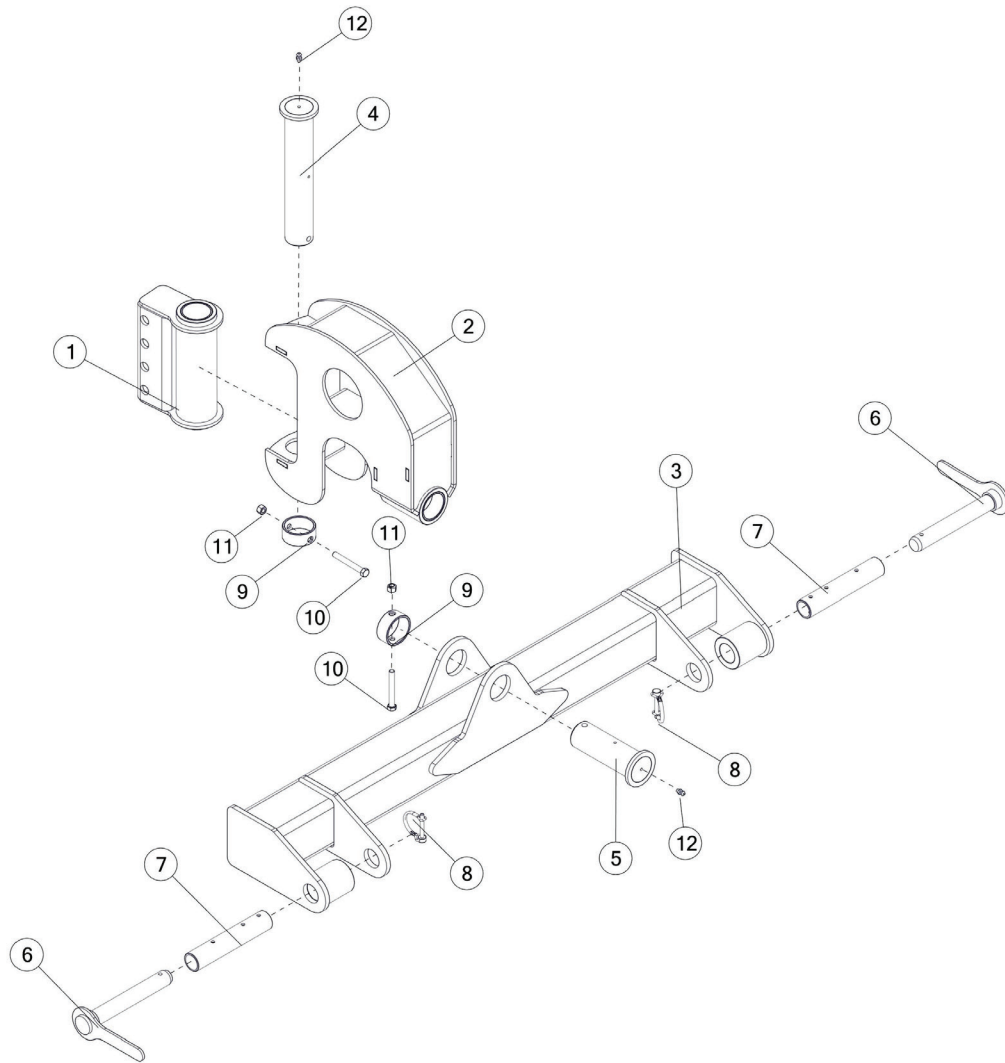


REF #	PART #	DESCRIPTION	QTY
1	76197	LINKAGE SLIDER FRONT	1
2	75574	RAKE ARM BUMPER PLATE	2
3	75575	RAKE BUMPER PLATE BACK	2
4	76490	BUMPER	1
5	75763	BLACK PLUG, UHMW, 3 X 4 X 2	2
6	75580	SPACER TUBE	3
7	75576	SPACER TUBE	8
8	YBCR12123	BOLT CARRIAGE, 3/8 X 6-1/2, G5	3
9	YBCR12130	BOLT CARRIAGE, 3/8 X 7.00, G2	8
10	YBHH08092	BOLT HEX, 1/4 X 3-1/2, G5	2
11	YWLO08005	WASHER LOCK, 1/4	2
12	YWLO12005	WASHER LOCK, 3/8	11
13	YNHX12005	NUT HEX, 3/8	11
14	YNHX08007	NUT HEX, 1/4 G5	2
16	76464	BUMPER KIT	1



FIGURE 19

OPTIONAL 2-POINT HITCH



REF #	PART #	DESCRIPTION	QTY
1	78515	HINGING HITCH MOUNT	1
2	78564	HITCH PIVOT	1
3	78531	TWO POINT HITCH	1
4	78556	HITCH PIVOT PIN	1
5	78560	HITCH PIVOT PIN	1
6	PTMWE65	HITCH PIN	2
7	PTMTU56	ADAPTER TUBE	2
8	DWM324	SNAPPER PIN	2
9	78558	PIN RETAINING COLLAR	2
10	YBHH12125	BOLT HEX, 3/8 X 3 G5	2
11	YNTL12005	NUT HEX, 3/8	2
12	G89	STRAIGHT ZERK, 1/4 X 90	2





H&S MFG. CO.

products approved

for the

FEMA

SEAL OF QUALITY



Manufactured by:

H&S MANUFACTURING CO., INC.

2608 S. HUME AVE. MARSHFIELD, WI 54449

(715) 387-3414 | hsmfgco.com

