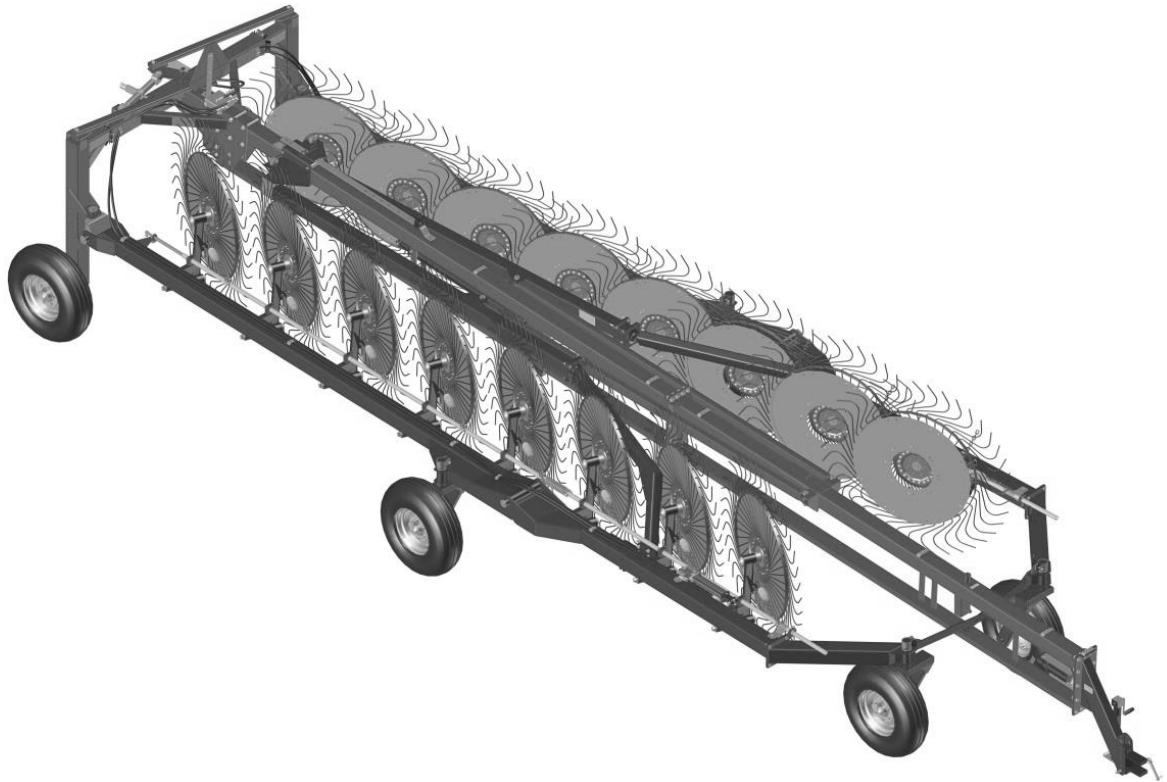


# **H&S PARTS BOOK**

## **FF6116**



Revision #04  
Starting Ser. #710047

Part #71355  
HSMFG0217

**P.O. BOX 768, MARSHFIELD, WI 54449**  
**(715) 387-3414 FAX (715) 384-5463**  
**[www.hsmfgco.com](http://www.hsmfgco.com)**

# CONTENTS

Instructions for Ordering Parts - About Improvements .....	1
Figure 1 - Main Frame Front .....	2-3
Figure 2 - Main Frame Middle .....	4-5
Figure 3 - Main Frame Rear .....	6-7
Figure 4 - Rear Frame & Axle Assembly .....	8-9
Figure 5 - Right Caster .....	10-11
Figure 6 - Left Caster .....	12-13
Figure 7 - Right & Left Front Rake Beams .....	14-15
Figure 8 - Right & Left Back Rake Beams .....	16-17
Figure 9 - U-Joint Assembly .....	18-19
Figure 10 - Rake Wheel Assembly .....	20-21
Figure 11 - Hydraulics .....	22-23
Figure 12 - Lift Cylinder .....	24-25
Figure 13 - Optional Hydraulic Rear Opening Cylinder .....	26-27
Figure 14 - Optional Tandem Axle .....	28-29
Figure 15 - Wind Guard .....	30
Figure 16 - Optional Lighting .....	31
Figure 17 - Optional Kicker Wheel. ....	32-39
Parts Notes .....	40

# **INSTRUCTIONS FOR ORDERING PARTS**

All service parts should be ordered through your authorized H&S dealer. They will be able to give you faster service if you will provide them with the following

1. Model & Serial number is located on the left, rear main frame of your unit.
2. All reference to left or right apply to the machine as viewed from the rear.
3. Parts should not be ordered from illustration only. Please order by complete part number.
4. If your dealer has to order parts - give shipping instructions:  
VIA truck - large pieces (please specify local truck lines)  
VIA United Parcel Service (include full address)

<b>H&amp;S MFG. CO. INC.</b>	
<b>MARSHFIELD, WIS.</b>	
MOD. NO.	<input type="text"/>
SER. NO.	<input type="text"/>
DESCR.	<input type="text"/>

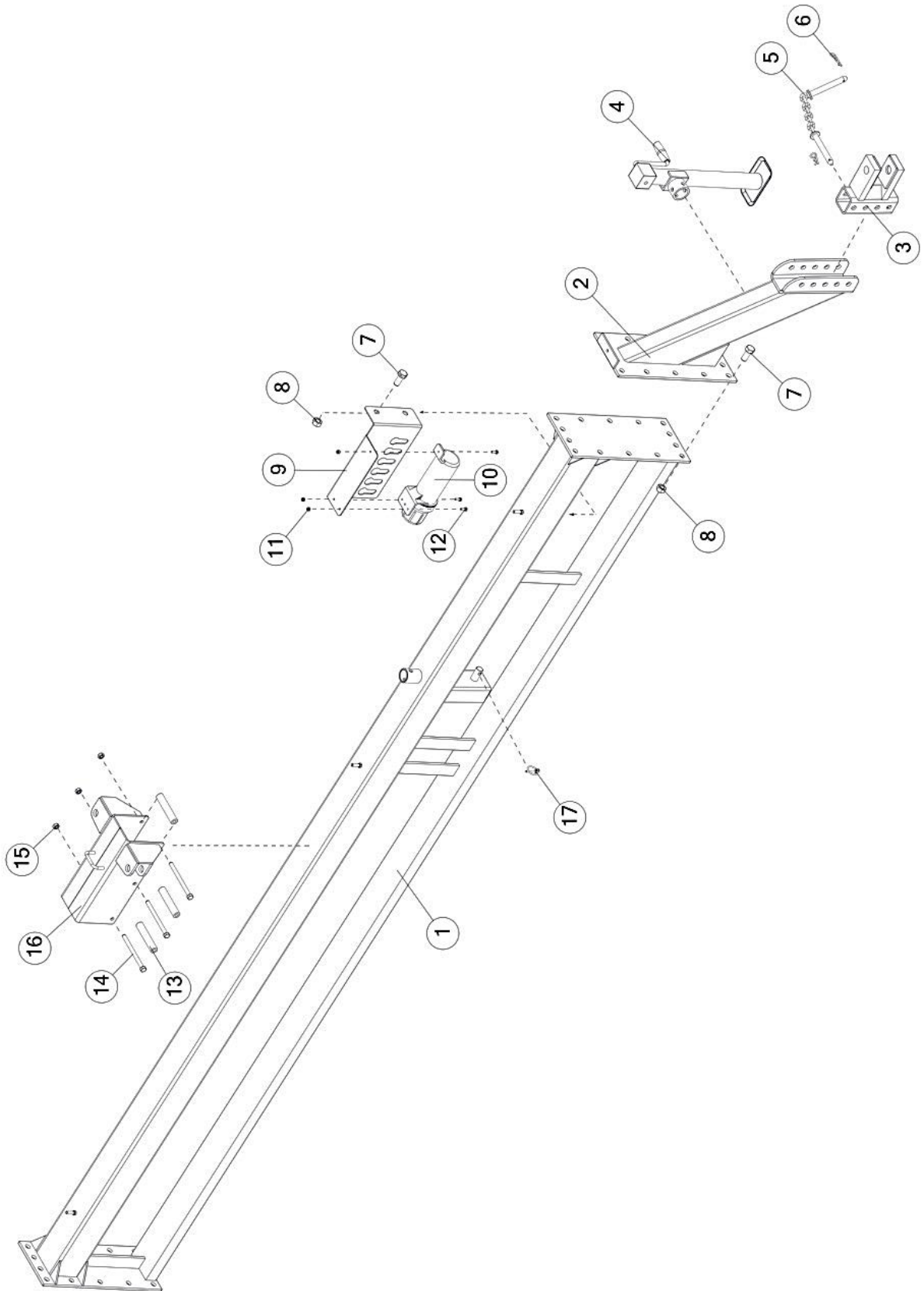
PLEASE RECORD NUMBERS FOR YOUR UNIT FOR QUICK REFERENCE

## **ABOUT IMPROVEMENTS**

H&S IS CONTINUALLY STRIVING TO IMPROVE IT'S PRODUCTS

We must therefore, reserve the right to make improvements or changes whenever it becomes practical to do so without incurring any obligation to make changes or additions to the equipment previously sold.

**FIGURE 1**  
**MAIN FRAME FRONT**



# FIGURE 1

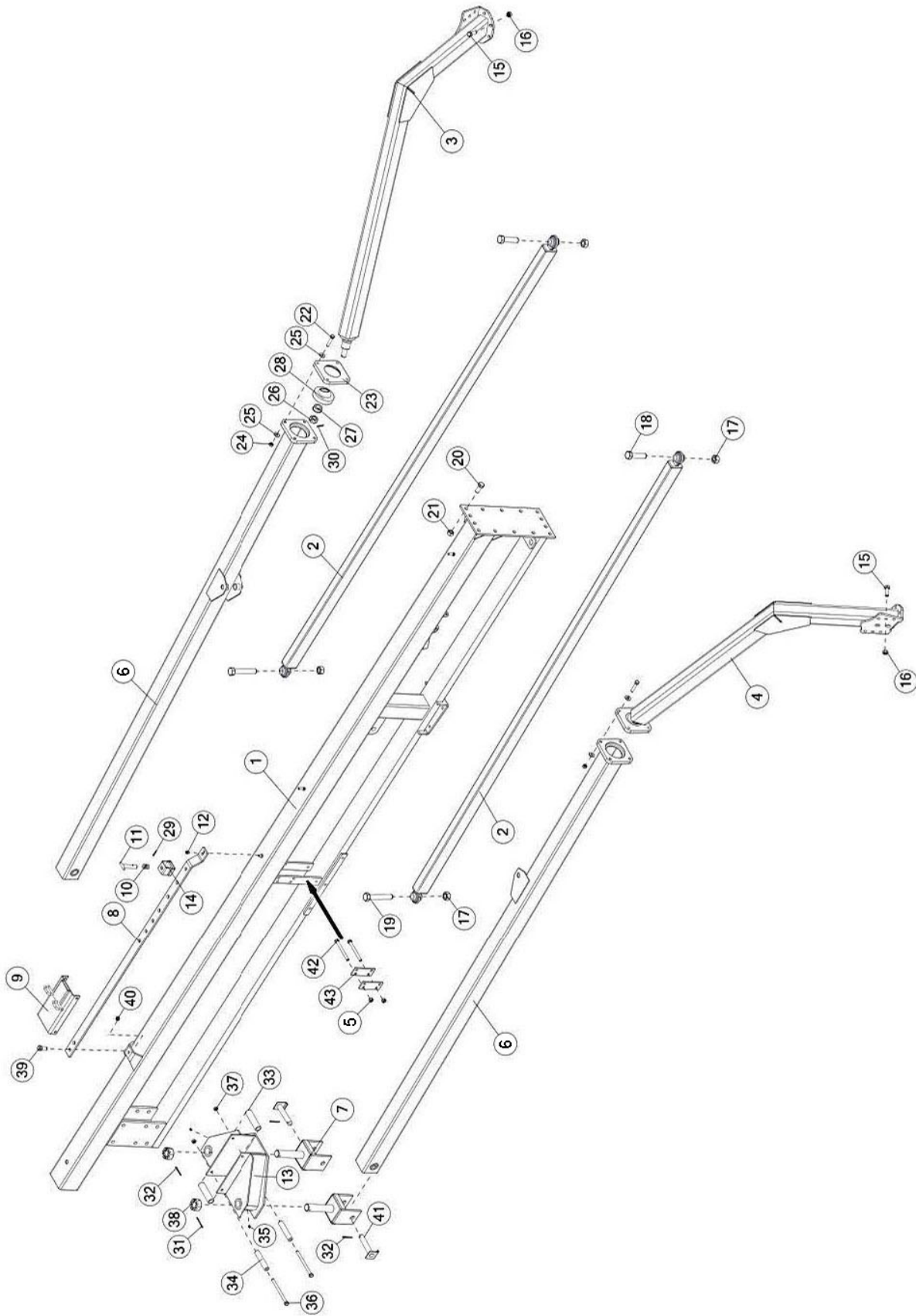
## MAIN FRAME FRONT

<u>ITEM</u>	<u>QTY</u>	<u>PART #</u>	<u>DESCRIPTION</u>
1	1	67198	POLE, FRONT
2	1	68972	WELDMENT, HITCH RECEIVER
*	1	SC10100	SAFETY CHAIN 10,100 LB. RATING
3	1	HD83	ASSY, HITCH CLEVIS
4	1	BFR753A	JACK, SIDEWIND,2000#
5	1	BFR450	ASSY, HITCH PIN
6	2	YPHR02010	HAIR PIN, #21-07
7	14	YBHH24014	BOLT, 3/4-10 X 1-3/4" GR. 5
8	14	YNTL24005	HEX NUT, TOP LOCK, 3/4-10
9	1	60269	HOSE HOLDER
10	1	S522	MANUAL HOLDER
11	3	YNNY08005	HEX NUT, NYLON LOCKNUT, 1/4-20
12	3	YBHH08100	BOLT, 1/4 X 3/4 GR 5
13	3	68831	TUBE, RND, STR, 1.00 X .23 X 5.09
14	3	YBHH16175	BOLT, 1/2 X 6-1/2 GR 5
15	3	YNTL16005	HEX NUT, TOP LOCK, 1/2-13
16	1	67253	WLDMT, FRAME, FRONT LINKAGE SLIDER
17	1	YPLY12010	LYNCH PIN, 3/8" X 1-3/4"

**NOTE: \* MEANS NOT SHOWN**

# FIGURE 2

## MAIN FRAME MIDDLE



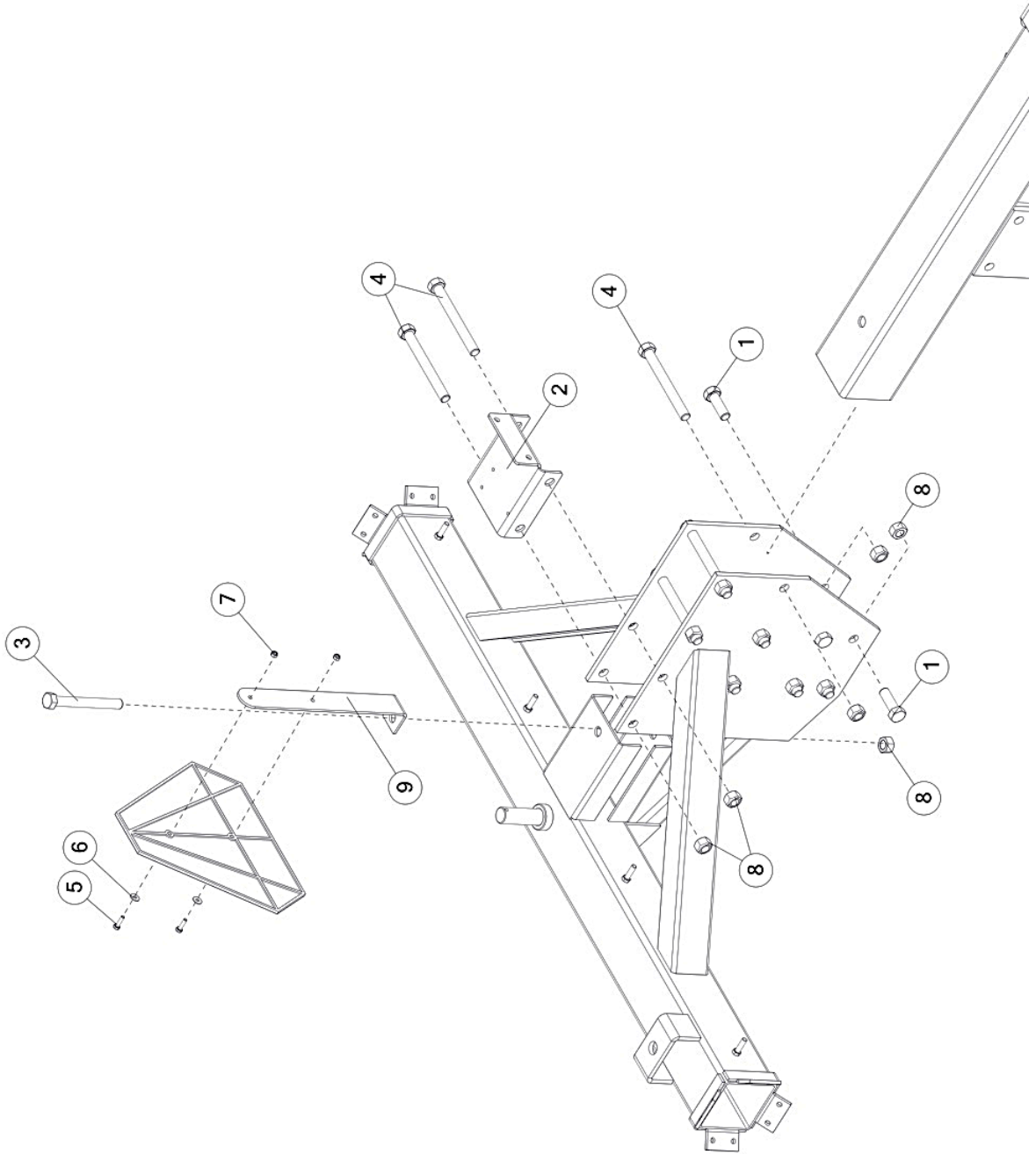
## FIGURE 2

### MAIN FRAME MIDDLE

<u>ITEM</u>	<u>QTY</u>	<u>PART #</u>	<u>DESCRIPTION</u>
1	1	67167	BACK POLE
2	2	BFR458	ASSY, FRONT LINKAGE
3	1	58352	ARM ASSEMBLY, LH
4	1	58353	ARM ASSEMBLY, RH
5	2	YNRL16005	HEX NUT, REVERSIBLE-SIDE LOCK, 1/2-13
6	2	69122	ASSY, BACK LINKAGE YOKE LH
7	2	BFR476	ASSY, BACK LINKAGE YOKE RH
8	1	67416	BRKT, ADJUSTMENT
9	1	68832	WIDTH ADJUSTMENT STOP
10	1	BFR240	SPRING #SP41
11	1	BFR241	ADJUSTMENT HANDLE
12	1	YBFL10002	SCR, FLG, 0.75-10 X 4.00, G8, PO
13	1	68834	BACK LINKAGE SLIDER
14	1	BFR239	ASSY, SLEEVE LOCK ADJUSTMENT
15	10	YBHH20020	BOLT, 5/8 X 1-3/4 GR 5
16	10	YNL20005	HEX NUT, TOP LOCK, 5/8-11
17	4	YNL32005	HEX NUT, TOP LOCK, 1"-8 GR. C, ZINC
18	2	YBHH32015	BOLT, 1"-8 X 4 GR 5
19	2	YBHH32025	BOLT, 1"-8 X 6 GR 5
20	14	YBHH24014	BOLT, 3/4-10 X 1-3/4" GR. 5
21	14	YNL24005	HEX NUT, TOP LOCK, 3/4-10
22	8	YBHH16080	BOLT, 1/2 X 2-1/2 GR 5
23	2	58287	BEARING SUPPORT
24	8	YNL16006	HEX NUT, TOP LOCK, 1/2"-13 GR. 9
25	16	YWFL16005	WASHER, FLAT, 1/2 USS
26	2	YNL32005	HEX NUT, SLOTTED, 1"-14, GR 2,
27	2	58301	PLAIN SPACER, BALL
28	2	58409	MACH. PITCH ROD BALL 1.75 DIA. PIN
29	1	YPCT05005	COTTER PIN, 5/32 X 1
30	2	YPCT05020	COTTER PIN, 5/32 X 1-3/4
31	1	YPCT05035	COTTER PIN, 5/32 X 2-1/2
32	3	YPCT06020	COTTER PIN, 3/16 X 2
33	2	68829	BACK SLIDER ROLLER
34	2	68831	TUBE, RND, STR, 1.00 X .23 X 5.09
35	2	G89	ZERK, 1/4"-28 STRAIGHT
36	2	YBHH16180	BOLT, 1/2 X 7 GR 5
37	2	YNL16005	HEX NUT, TOP LOCK, 1/2-13
38	2	YNL40005	HEX NUT, SLOTTED, 1-1/2"-12
39	1	YBHH20010	BOLT, 5/8 X 1-1/2 GR 5
40	1	YNL16006	HEX NUT, TOP LOCK, 1/2"-13 GR. 9
41	2	BFR479	ASSY, PIVOT YOKE SHAFT PIN
42	2	YBHH16160	BOLT, 1/2 X 5-1/2 GR 5
43	2	58692	SPACER, CYL

# FIGURE 3

## MAIN FRAME REAR





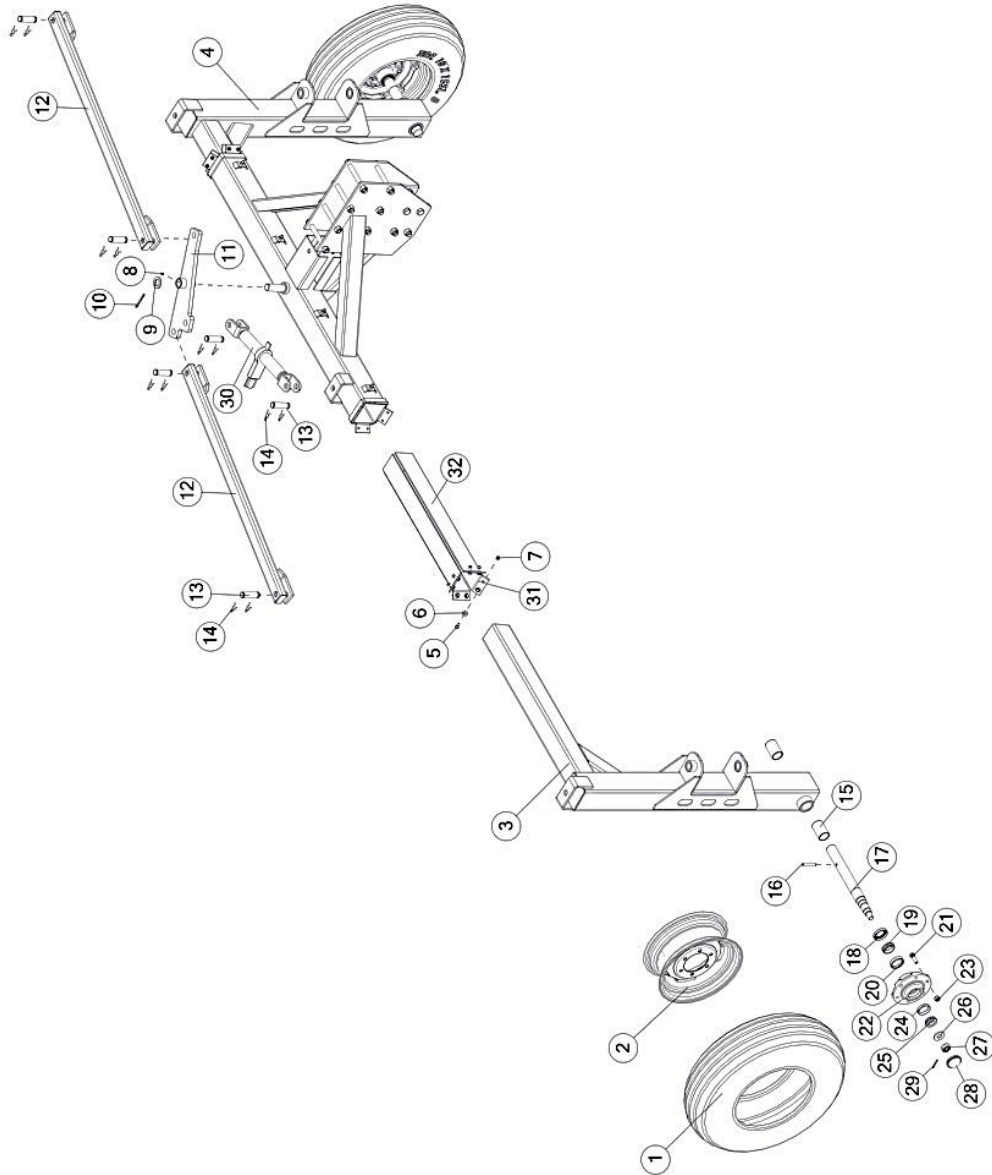
## FIGURE 3

### MAIN FRAME REAR

<u>ITEM</u>	<u>QTY</u>	<u>PART #</u>	<u>DESCRIPTION</u>
1	4	YBHH24035	BOLT, 3/4 X 2-1/4 GR 5
2	1	67205	PLT, 9.55 X 9.85 X 0.1875
3	1	YBHH24095	BOLT, 3/4-10 X 6-1/2 GR 5
4	10	YBHH24100	BOLT, 3/4-10 X 7 GR 5
5	2	YBHH08010	BOLT, 1/4-20" X 1" GR 5
6	2	YWFL08005	WASHER, FLAT, 1/4 USS
7	2	YNNY08005	HEX NUT, NYLON LOCKNUT, 1/4-20
8	14	YNL24005	HEX NUT, TOP LOCK, 3/4-10
9	1	63408	SMV BRACKET

# FIGURE 4

## REAR FRAME & AXLE ASSEMBLY



## FIGURE 4

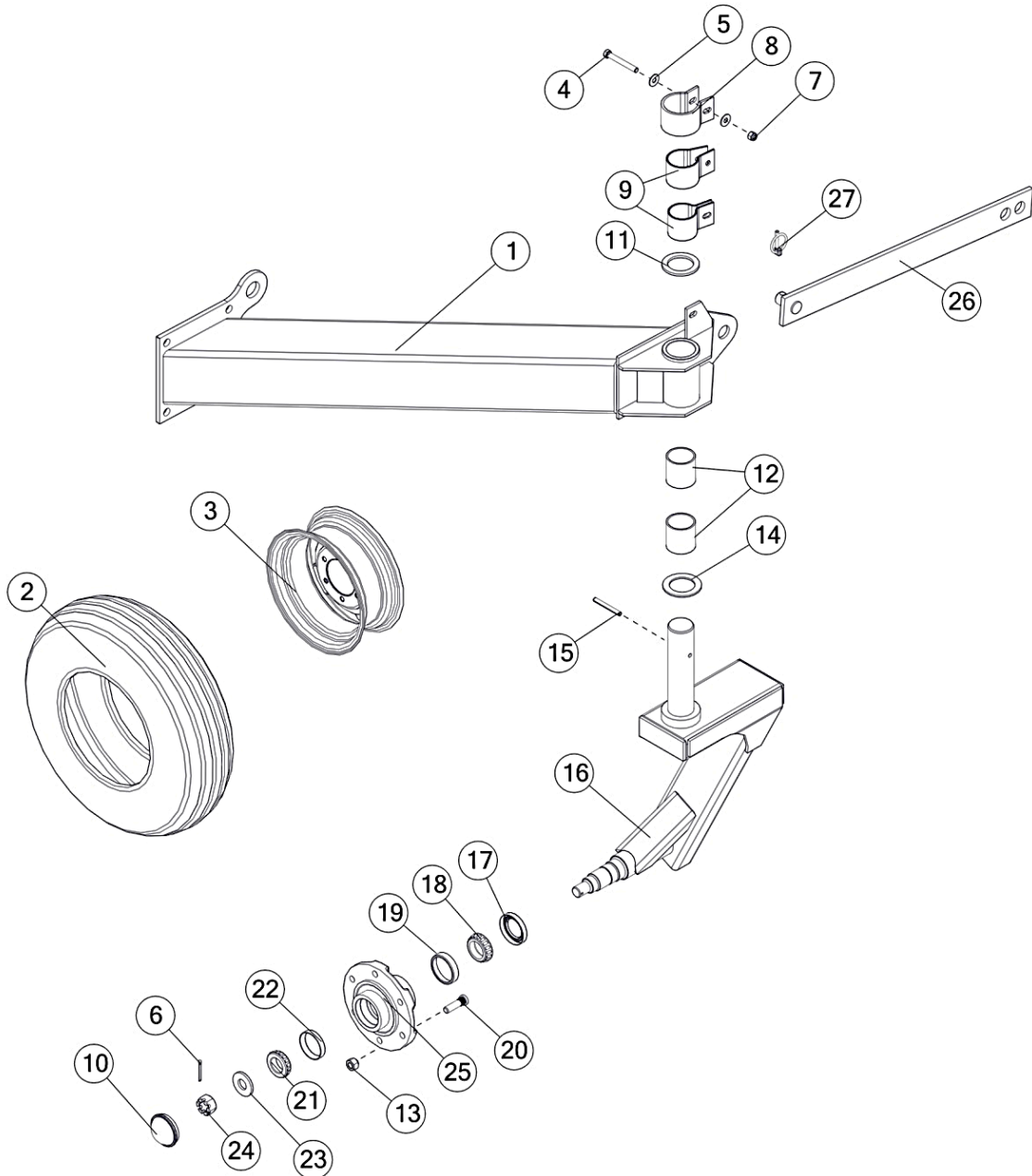
### REAR FRAME & AXLE ASSEMBLY

<u>ITEM</u>	<u>QTY</u>	<u>PART #</u>	<u>DESCRIPTION</u>
1	2	UR1	9.5L X 15 8 PLY TIRE & TUBE
2	2	RG127	WHEEL, 15 X 6, 6 BOLT, OFF-WHITE
3	1	67169	WLDMT, UPRIGHT, RIGHT
4	1	67166	ASSEMBLY, UPRIGHT, LEFT
5	8	YBHH10010	BOLT, 5/16-18 X 1 GR 5
6	8	YWFL10005	WASHER, FLAT, 5/16 USS
7	8	YNL10005	HEX NUT, TOP LOCK, 5/16-18
8	1	G89	STRAIGHT ZERK 1/4-28X90
9	1	BFR229	WASHER, SHIM .185x1.281 I.D.x2.00O.D.
10	1	YPCT08010	COTTER PIN, 1/4 X 2-1/2
11	1	HD8	CAM ARM
12	2	FR9	CYLINDER LINK
13	6	T143	HYDRAULIC CYLINDER PIN
14	12	53371	CYLINDER PIN
15	2	58275	BUSHING, BRONZE, 2.00 OD X 1.75 ID X 2.875 LONG
16	2	YPEX12025	EXPANSION PIN, 3/8" X 2-3/4"
17	2	FR55	1.75" X 17.500" BACK SPINDLE FOR 888 HUB
18	2	12N17	GREASE SEAL, 2.57OD X 1.61ID X 0.43
19	2	12N18	BRG, 2.28 X 1.50 X 0.67, TAPER
20	2	12N19	HUB 888, INNER RACE, 2.48OD
21	12	YBSD16005	STUD BOLT, 1/2-20 UNF X 1-7/8 (3/8" SHOULDER)
22	2	58401	CAST, HUB 888
23	12	YNWL16005	NUT,WHEEL, 1/2"-20, NA, G5, ZY
24	2	17G146	HUB 888, OUTER RACE, 2.33 OD
25	2	17G145	TAPERED ROLLER BEARING, 1.249 BORE
26	2	HD200	ROAD WHEEL SPINDLE WASHER
27	2	YNSL28005	HEX NUT, SLOTTED, 7/8-14
28	2	17G144	HUB CAP
29	2	YPCT05010	COTTER PIN 5/32" X 1-1/2"
30	1	T138	RATCHET JACK W/ HANDLE
31	4	68966	PLT, 31.00 X 3.75 X 0.25
32	4	68967	PLT, 31.00 X 3.75 X 0.19

**NOTE: \* MEANS NOT SHOWN**

# FIGURE 5

## RIGHT CASTER



## **FIGURE 5**

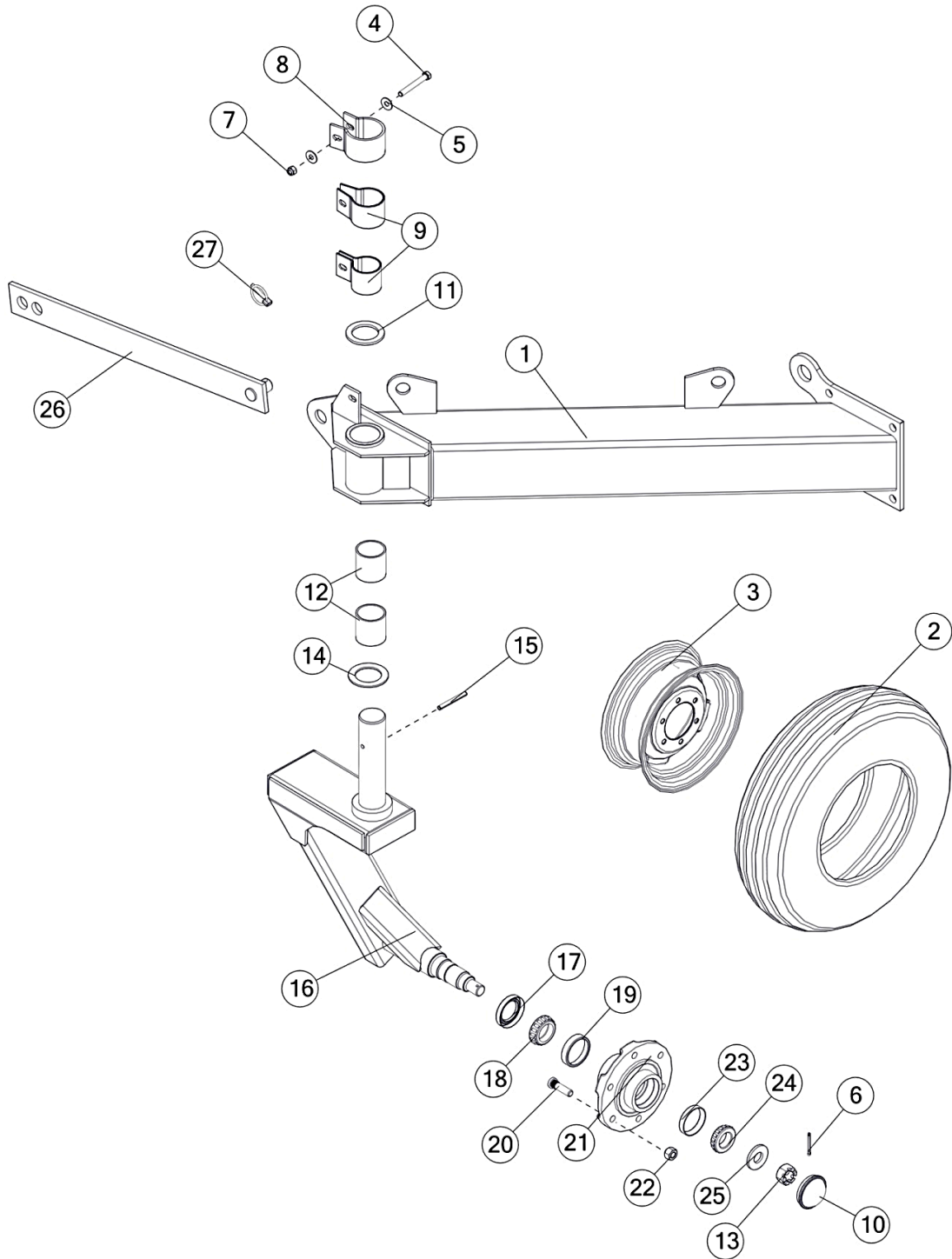
### **RIGHT CASTER**

<b><u>ITEM</u></b>	<b><u>QTY</u></b>	<b><u>PART #</u></b>	<b><u>DESCRIPTION</u></b>
1	1	67189	ASSM, STANDOFF, RH
2	2	UR1	9.5L X 15 8 PLY TIRE & TUBE
3	2	RG127	WHEEL, 15 X 6, 6 BOLT, OFF-WHITE
*	2	53854	COMPLETE WHEEL & TIRE ASSEMBLY
4	2	YBHH12125	BOLT, HEX, FT, 3/8-16 X 3, G5, ZC
5	4	YWFL12005	WASHER, FLAT, 3/8 USS
6	2	YPCT05010	COTTER PIN, 5/32 X 1-1/2
7	2	YNNY12005	NUT, HEX, 3/8-16, LKNY, G2, ZC
8	2	BFR311	BRAKE COLLAR
9	4	BFR310	BRAKE PAD
10	2	17G144	HUB CAP
11	2	BFR309	GAUGE WHEEL WASHER
12	4	RG26	BUSHING, STEEL, 2.015" ID X 2.25" OD X 2.00" LONG
13	12	YNWL16005	NUT, WHEEL, 1/2-20, NA, G5, ZC
14	2	RG24	WASHER, THRUST, BRONZE, 2.00" ID X 3.00 OD X .125" LONG
15	2	YPEX10025	EXPANSION PIN, 5/16" X 2-3/4"
16	2	FR23	ASSY, RH CASTER
17	2	12N17	SEAL
18	2	12N18	BRG, 2.28 X 1.50 X 0.67, TAPER, KOYO
19	2	12N19	INNER RACE KOYO
20	12	YBSD16005	BOLT, STUD, 1/2-20UNF X 1-7/8 X 3/8, G5, ZC
21	2	17G145	TAPERED ROLLER BEARING, 1.249 BORE, KOYO
22	2	17G146	OUTER RACE
23	2	HD200	ROAD WHEEL SPINDLE WASHER
24	2	YNSL28005	NUT, SLOT, 7/8-14, NA, G2, NF
25	2	RG101	ASSM, HUB, 888, WITH RACES AND STUDS, KOYO
26	1	58362	TRANSPORT LOCK BAR
27	1	YPLY12010	LYNCH PIN, 3/8" X 1-3/4"

**NOTE: \* MEANS NOT SHOWN**

# FIGURE 6

## LEFT CASTER



# FIGURE 6

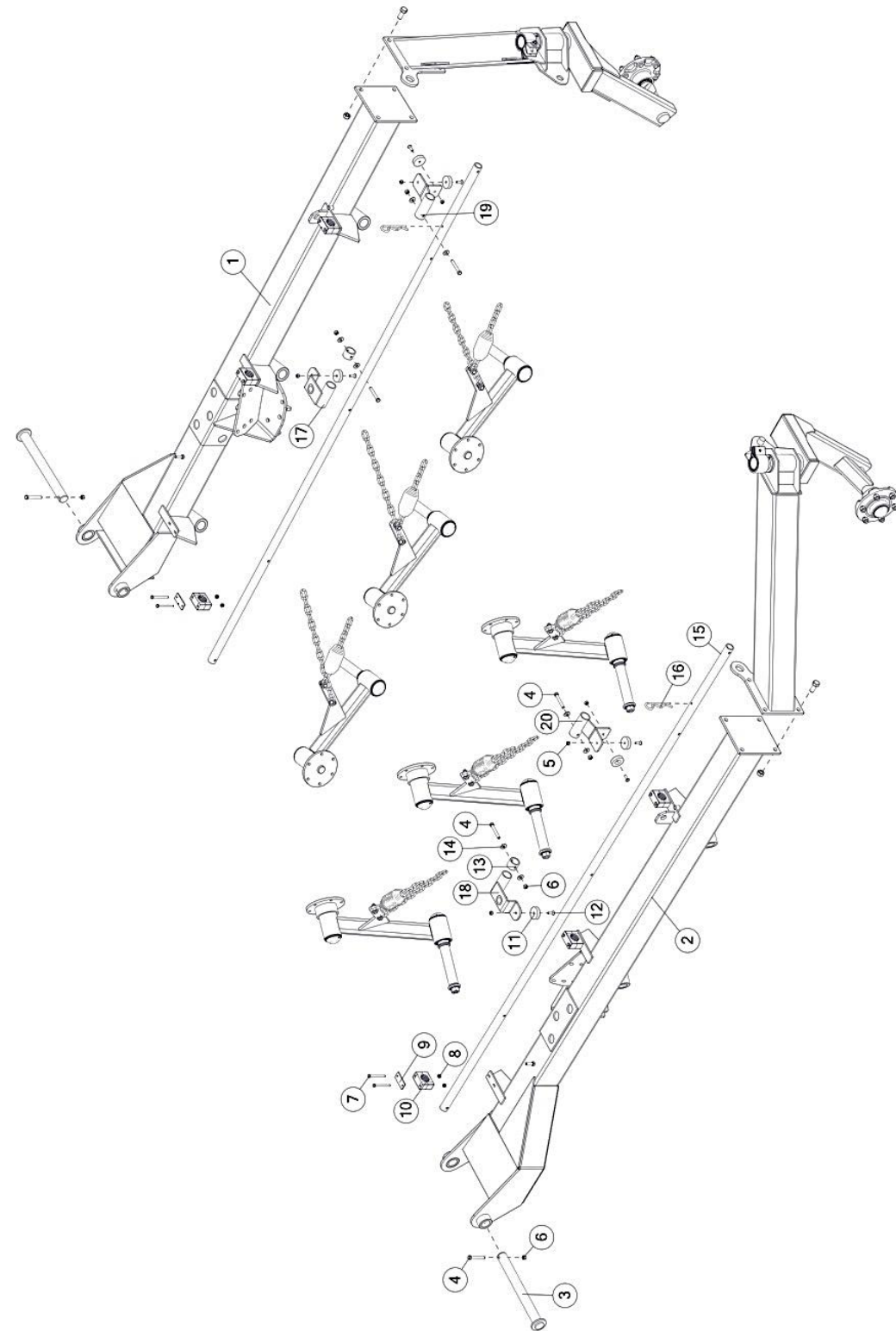
## LEFT CASTER

<u>ITEM</u>	<u>QTY</u>	<u>PART #</u>	<u>DESCRIPTION</u>
1	1	68878	STANDOFF ASSM, LH
2	2	UR1	9.5L X 15 8 PLY TIRE & TUBE
3	2	RG127	WHEEL 15 X 6, 6 BOLT
*	2	53854	COMPLETE WHEEL & TIRE ASSEMBLY
4	2	YBHH12125	BOLT, 3/8 X 3 GR 5 FULL THREAD
5	4	YWFL12005	WASHER, FLAT, 3/8 USS
6	2	YPCT05010	COTTER PIN, 5/32 X 1-1/2
7	2	YNNY12005	HEX NUT, NYLON LOCKNUT, 3/8
8	2	BFR311	BRAKE COLLAR
9	4	BFR310	BRAKE PAD
10	2	17G144	HUB CAP
11	2	BFR309	GAUGE WHEEL WASHER
12	4	RG26	BUSHING, 2.015" ID X 2.25" OD X 2.00" LONG
13	2	YNSL28005	NUT, SLOT, 7/8-14, NA, G2, NF
14	2	RG24	WASHER, THRUST, BRONZE
15	2	YPEX10025	EXPANSION PIN, 5/16" X 2-3/4"
16	2	FR22	ASSY, LH CASTER
17	2	12N17	SEAL
18	2	12N18	INNER BEARING
19	2	12N19	INNER RACE
20	12	YBSD16005	STUD BOLT, 1/2-20 UNF X 1-7/8
21	2	RG101	HUB W/RACES & STUDS
22	12	YNWL16005	WHEEL NUT, 1/2-20 UNF
23	2	12N25	OUTER BEARING
24	2	12N21	OUTER RACE
25	2	HD200	ROAD WHEEL SPINDLE WASHER
26	1	58362	TRANSPORT LOCK BAR
27	1	YPLY12010	LYNCH PIN, 3/8" X 1-3/4"

**NOTE: \* MEANS NOT SHOWN**

# FIGURE 7

## RIGHT & LEFT FRONT RAKE BEAMS



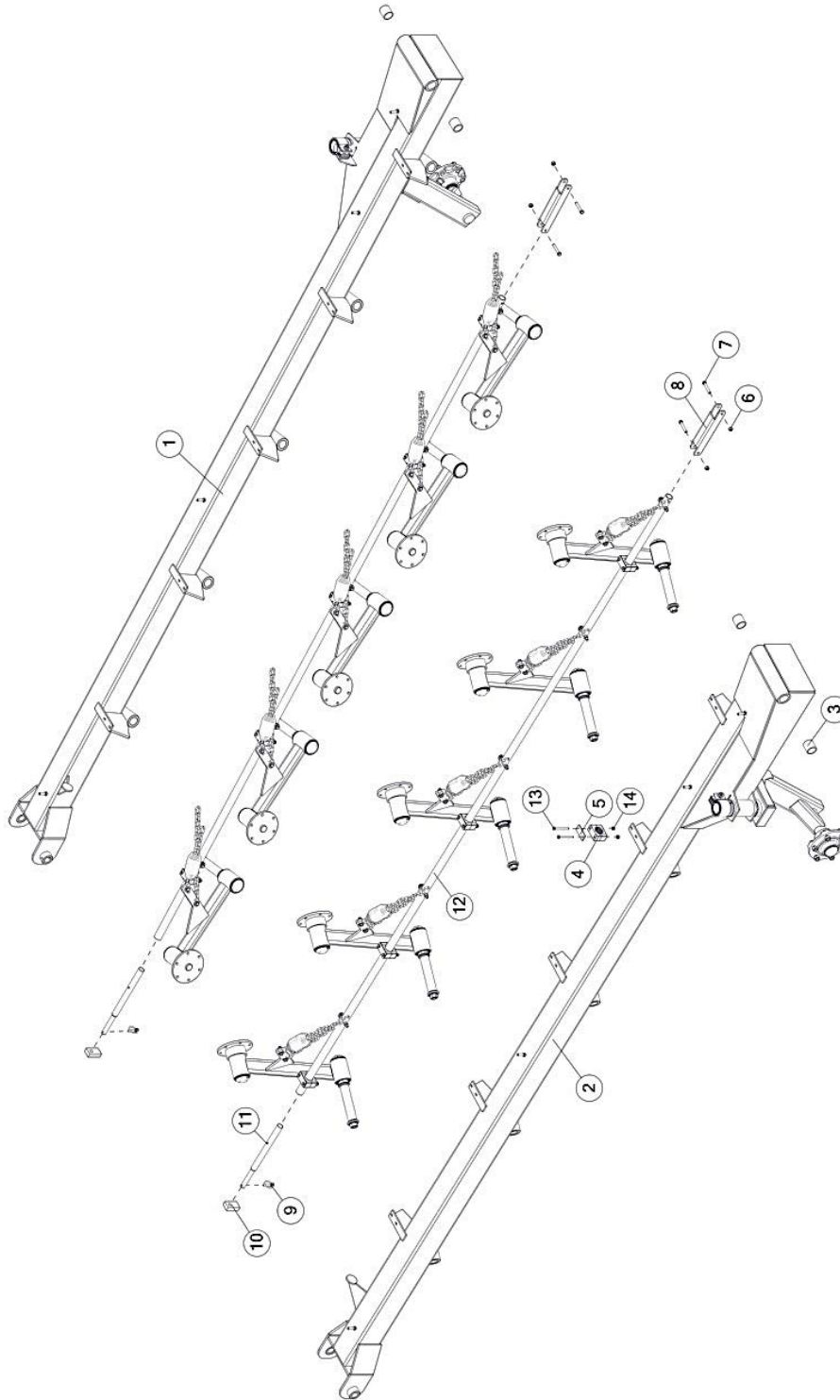


## FIGURE 7

### RIGHT & LEFT FRONT RAKE BEAMS

<u>ITEM</u>	<u>QTY</u>	<u>PART #</u>	<u>DESCRIPTION</u>
1	1	67176	FRONT RAKE BEAM, LH
2	1	67188	FRONT RAKE BEAM, RH
3	2	67234	PIVOT PIN
4	6	YBHH12110	BOLT, 3/8 X 2-3/4 GR 5
5	8	YNL10005	HEX NUT, TOP LOCK, 5/16-18
6	4	YNL12005	HEX NUT, TOP LOCK, 3/8-16
7	12	YBHH08085	BOLT, 1/4 X 3 GR 5
8	12	YNFG08005	HEX NUT, FLANGED, TOP LOCK, 1/4-20, GR F
9	6	56566	CLAMP TOP PLATE
10	6	69113	1-1/2" TUBE - HOSE CLAMP CUSHION
11	6	FR51	SLIDER PAD
12	6	YSFS10005	FLAT HEAD SOCKET CAP SCREW, 5/16 X 1
13	2	FR50	SLIDE STOP
14	8	YWFL12005	WASHER, FLAT, 3/8 USS
15	2	71234	FRONT LIFT PIPE
16	2	YPHR08040	HAIR PIN, 1/4" X 5"
17	1	FR31	PIPE LIFTER,LH
18	1	FR32	PIPE LIFTER,RH
19	1	FR39	PIPE STABILIZER,LH
20	1	FR40	PIPE STABILIZER,RH

**FIGURE 8**  
**RIGHT & LEFT BACK RAKE BEAMS**



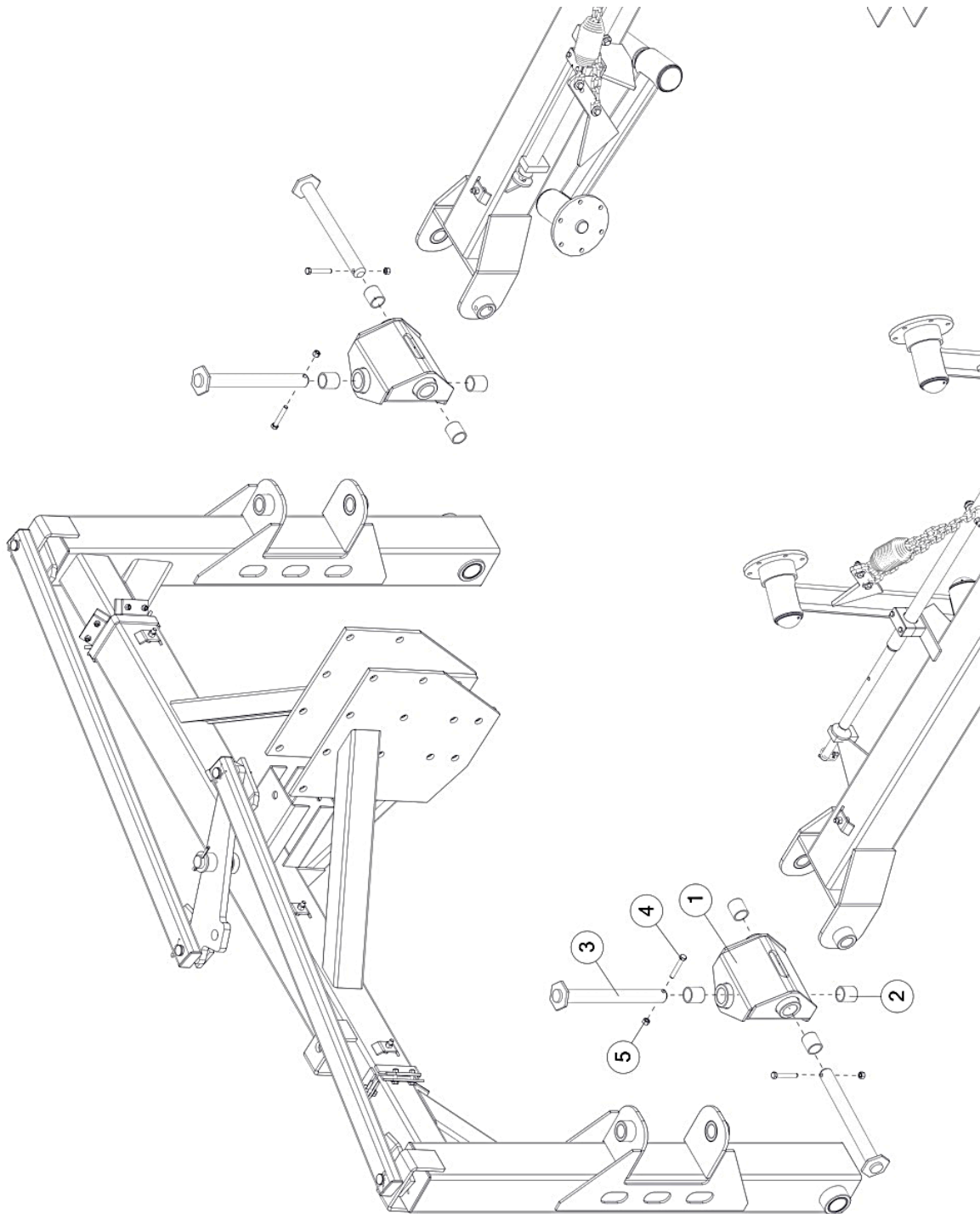
## FIGURE 8

### RIGHT & LEFT BACK RAKE BEAMS

<u>ITEM</u>	<u>QTY</u>	<u>PART #</u>	<u>DESCRIPTION</u>
1	1	72448	ASSY, BEAM, BACK LEFT
2	1	72463	ASSY, BEAM, BACK RIGHT
3	4	FR83	IRON BUSHING, 1.511"ID X 1-3/4"OD X 1-3/4"
4	8	69113	1-1/2" TUBE - HOSE CLAMP CUSHION
5	8	56566	CLAMP TOP PLATE
6	4	YNTL12005	HEX NUT, TOP LOCK, 3/8-16
7	4	YBHH12105	BOLT, 3/8 X 2-1/4 GR 5 FULL THREAD
8	2	58392	PIPE LINKAGE
9	2	YPLY08011	LYNCH PIN, 1/4 X 1-9/16
10	2	64103	RAKE PRESSURE HANDLE
11	2	BFR486	ASSY, RAKE ARM LOCK-UP SHAFT
12	2	68848	PIPE, RND, STR, 1.05 X 0.133 X 152.5, SCH 40
13	16	YBHH08085	BOLT, 1/4 X 3 GR 5
14	16	YNFG08005	HEX NUT, FLANGED, TOP LOCK, 1/4-20,

# FIGURE 9

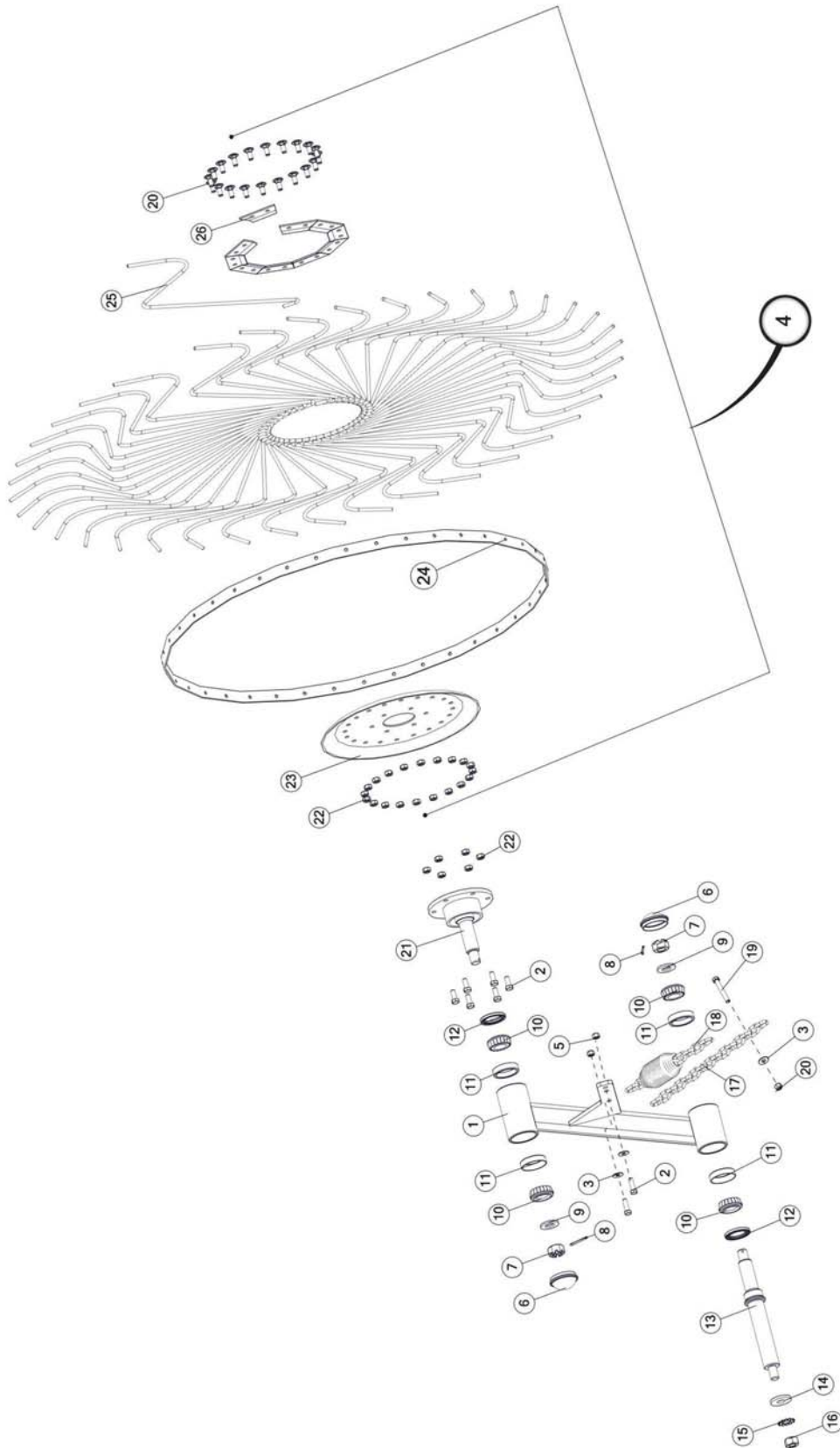
## U-JOINT ASSEMBLY



## FIGURE 9 U-JOINT ASSEMBLY

<u>ITEM</u>	<u>QTY</u>	<u>PART #</u>	<u>DESCRIPTION</u>
1	2	72443	WLDMT, BEAM, U JOINT
2	8	RG132	BUSHING 1-1/2"OD X 1.260"ID X 2"
3	4	67217	U JOINT PIN
4	4	YBHH12090	BOLT, 3/8 X 2-1/2 GR 5
5	4	YNL12005	HEX NUT, TOP LOCK, 3/8-16

**FIGURE 10**  
**RAKE WHEEL ASSEMBLY**



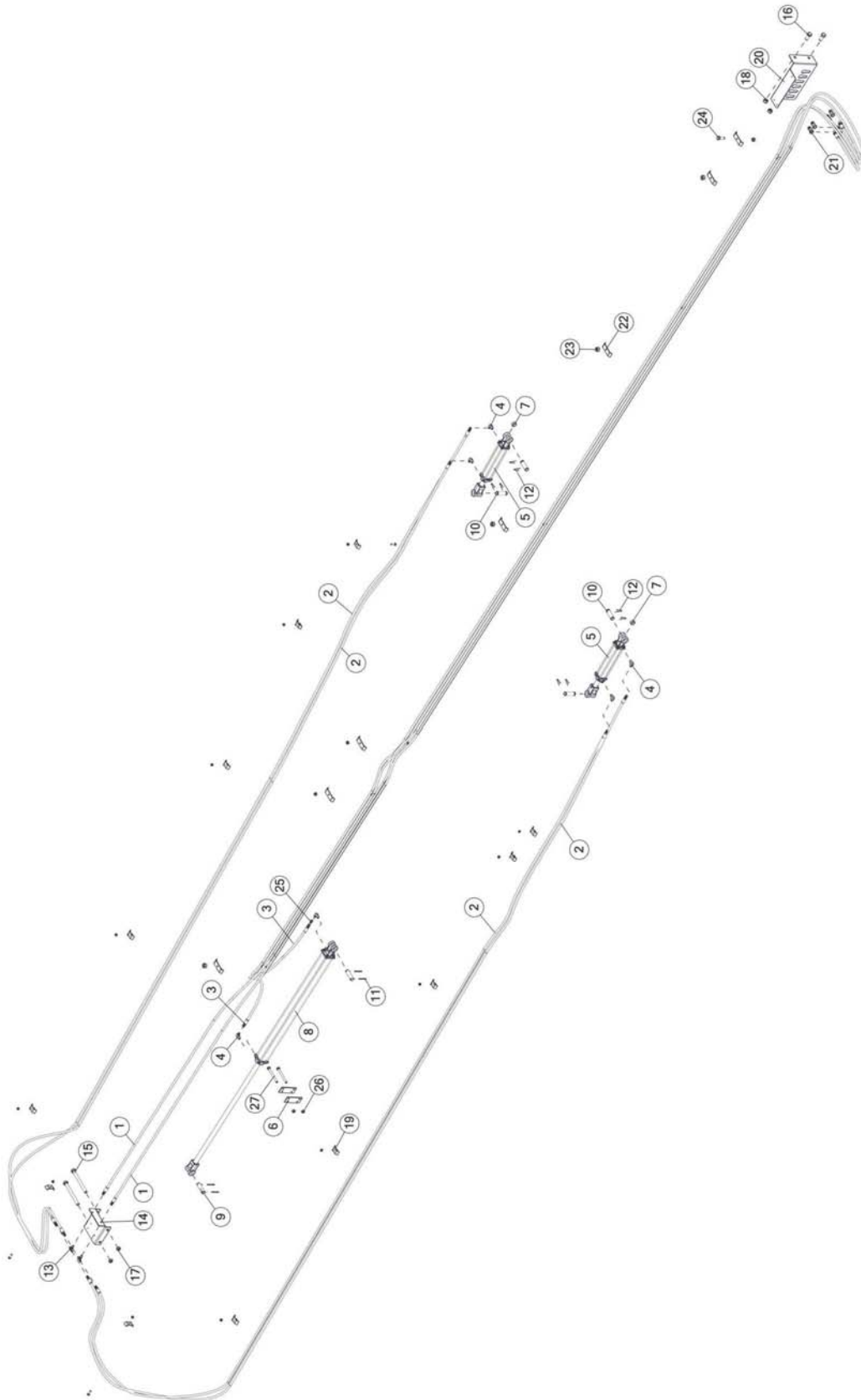
# FIGURE 10

## RAKE WHEEL ASSEMBLY

<u>ITEM</u>	<u>QTY</u>	<u>PART #</u>	<u>DESCRIPTION</u>
1	11	FR6	ASSY, RH RAKE ARM
*	11	FR7	ASSY, LH RAKE ARM
2	176	YBHH12035	BOLT, 3/8"-16 X 1-1/4" GR. 5
3	66	YWFL12005	WASHER, FLAT, 3/8 USS
4	11	FR70	60" RIGHT HAND RAKE WHEEL
*	11	FR69	60" LEFT HAND RAKE WHEEL
5	44	YNL12005	HEX NUT, TOP LOCK, 3/8" - 16
6	44	17G144	HUB CAP
7	44	YNSL28005	HEX NUT, SLOTTED, 7/8" - 16
8	44	YPCT05010	COTTER PIN, 5/32" X 1-1/2"
9	44	HD121	7/8"ID X 1-3/4"OD WASHER
10	88	HD122	15125 CONE PEER BEARING
11	88	58714	RACE
12	44	HD124	SEAL
13	22	FR54	FRONT PIVOT SPINDLE
14	22	HD157	PIVOT WASHER
15	22	YWSI24005	WASHER, LOCK, STAR, INTERNAL/EXTERNAL, 3/4"
16	22	YNHX24004	HEX NUT, 3/4" - 10 GR. 5
17	22	FR58	CHAIN - 15 LINKS
18	22	8771	RAKE WHEEL SPRING
19	22	YBHH12110	BOLT, 3/8" X 2-3/4" GR. 5
20	440	YBCR76005	CARR. BOLT, 10MM X 25MM
21	22	FR24	RAKE WHEEL HUB
22	594	YNHX76015	HEX NUT, M10-1.5
23	22	FR71	RAKE WHEEL CENTER
24	22	FR72	RAKE WHEEL OUTER RING
25	880	FR73	RAKE WHEEL TOOTH
26	440	FR74	RAKE TOOTH CLIP

**NOTE: \* MEANS NOT SHOWN**

**FIGURE 11**  
**HYDRAULICS**





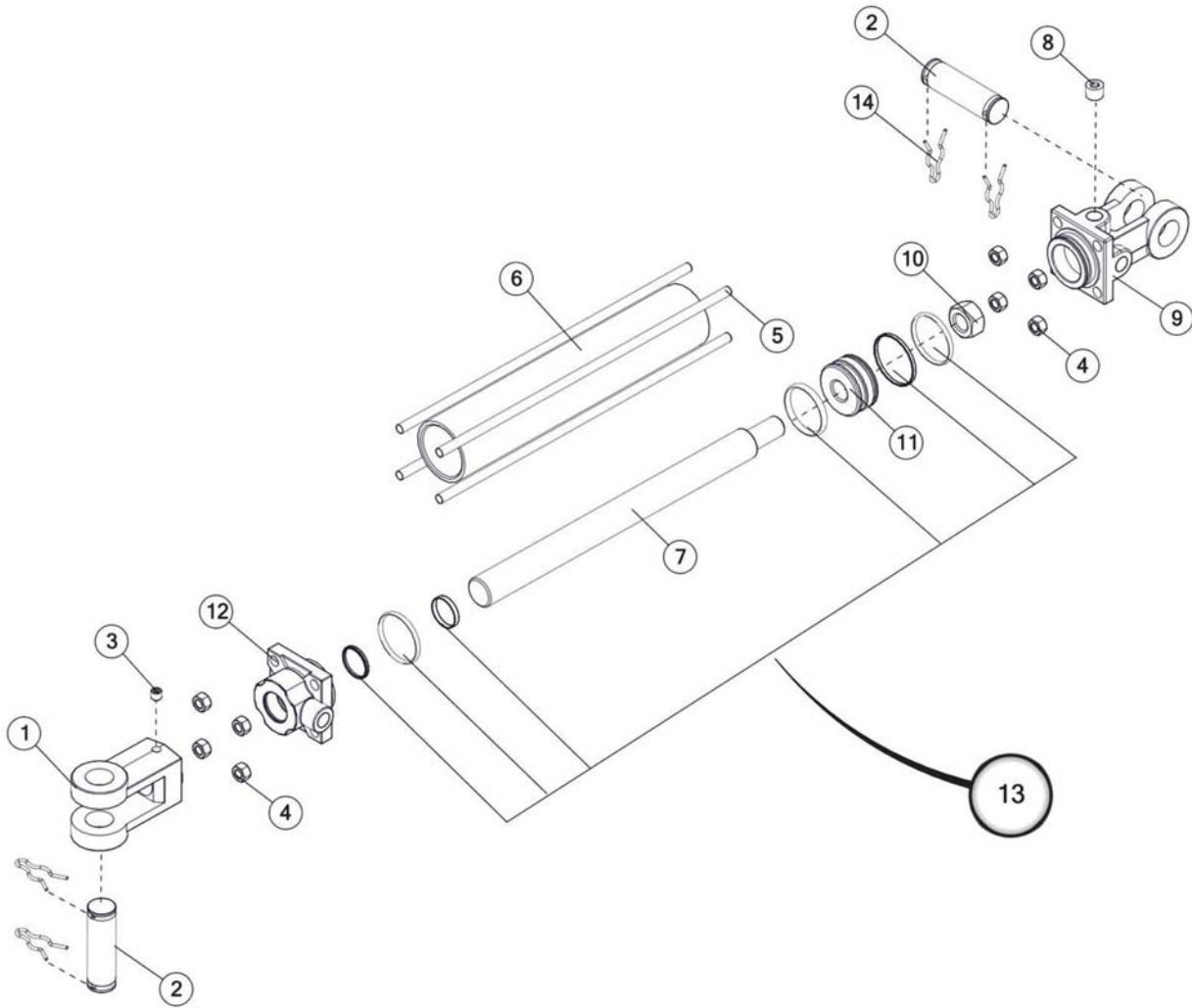
# FIGURE 11

## HYDRAULICS

<u>ITEM</u>	<u>QTY</u>	<u>PART #</u>	<u>DESCRIPTION</u>
1	2	71768	HYD HOSE ASSY, 6 X 451, 6 FEMALE JIC, 8 MALE ORB
2	4	71771	HYD HOSE ASSY, 6 X 336, 6 FEMALE JIC, 6 FEMALE JIC
3	2	71769	HYD HOSE ASSY, 6 X 396, 6 FEMALE JIC, 8 MALE ORB
4	6	CHM268	ELBOW (6 C50X-S)
5	2	66933	2.0" X 10" HYDRAULIC CYLINDER (3000 PSI), WITH ORB PORTS
6	2	58692	SPACER, CYL.
7	2	58374	SPACER
8	1	71386	2.5" X 40" CYLINDER (3000 PSI), WITH ORB PORTS
9	2	BFR634	CYLINDER PIN
10	4	T143	HYDRAULIC CYLINDER PIN
11	4	YPCT06020	COTTER PIN, 3/16" X 2"
12	8	53371	CYLINDER PIN
13	2	8005	06 BULKHEAD TEE FITTING
14	1	58411	HYDRAULIC MOUNT
15	2	YBHH24115	BOLT, 3/4" X 8-1/2" GR. 5
16	2	YBHH24014	BOLT, 3/4" - 10 X 1-3/4" GR. 5
17	2	YNHX24004	HEX NUT, 3/4" - 10 GR. 5
18	2	YNTL24005	HEX NUT, TOP LOCK, 3/4" - 10
19	12	23N67	WASHER, LOCK, 3/4"
20	1	60269	HOSE HOLDER
21	4	67148	FTG, ST, 8ORB, QUICK COUPLER TIP
22	6	58448	HOSE BRACKET
23	15	YNTL12005	HEX NUT, TOP LOCK, 3/8" - 16
24	1	YBHH20020	BOLT, 3/8" - 16 X 1-1/2" GR. 5
25	1	58143	FITTING 6 XHX7-S .047 ORIFICE
26	2	YNRL16005	HEX NUT, REVERSIBLE-SIDE LOCK, 1/2" - 13
27	2	YBHH16160	BOLT, 1/2" X 5-1/2" GR.5
*	1	58687	SEAL KIT

# FIGURE 12

## LIFT CYLINDER



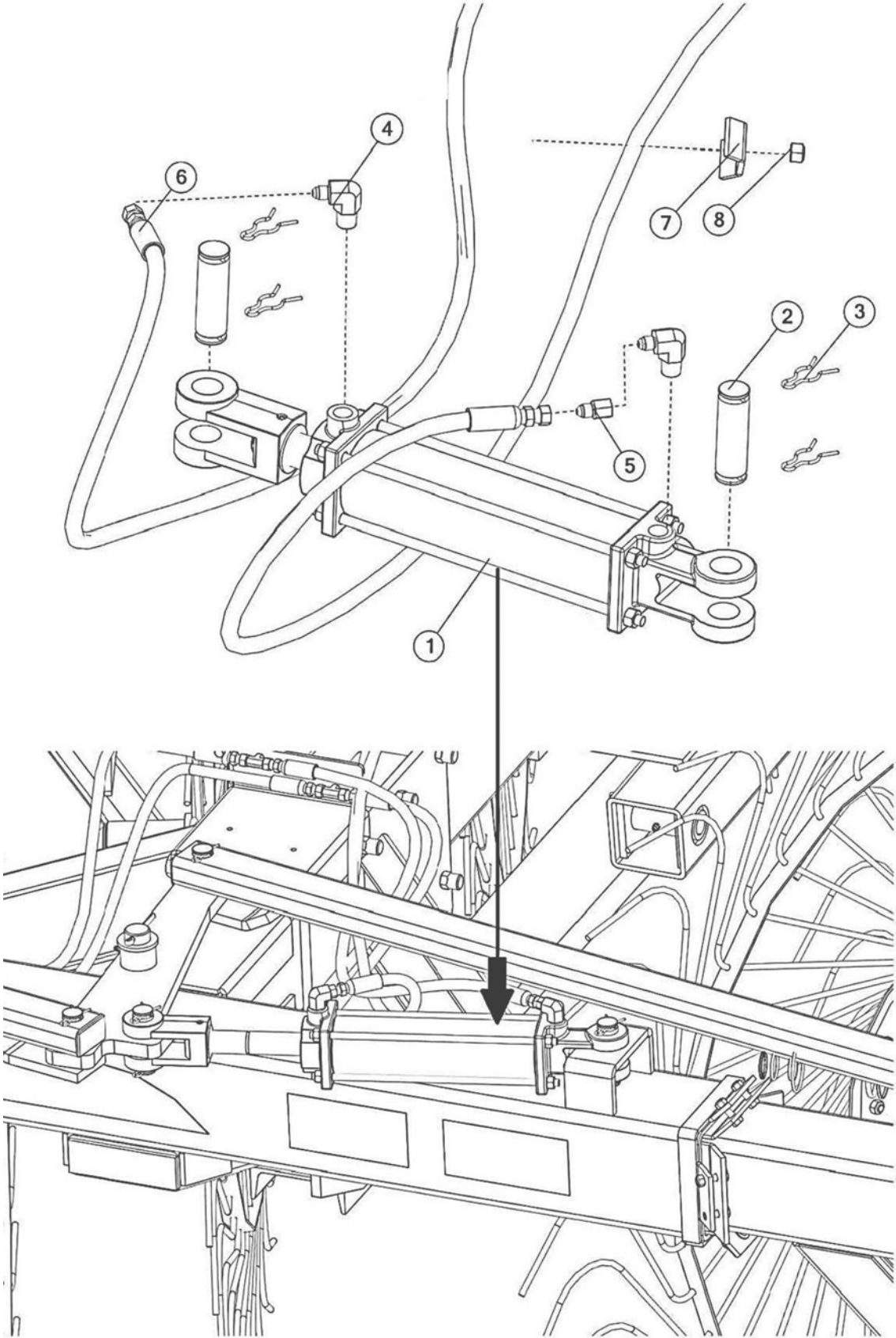
## FIGURE 12

### LIFT CYLINDER

<u>ITEM</u>	<u>QTY</u>	<u>PART #</u>	<u>DESCRIPTION</u>
1	1	23N150A	ROD CLEVIS
2	2	T143	HYDRAULIC CYLINDER PIN
3	1	YSSO12015	SET SCREW, SOCKET, 3/8-24 X 3/8
4	8	YNHX12006	HEX NUT, 3/8-24
5	4	16SV170	TIE ROD
6	1	16SV169	CYLINDER TUBE
7	1	16SV168A	CYLINDER ROD FOR 2" X 10" CYLINDER
8	1	SD270	HOLLOW HEX PLUG 6
9	1	23N142A	CLEVIS CAP FOR 2" CYLINDER
10	1	23N148	PISTON NUT
11	1	56180	PISTON FOR 2" CYLINDER
12	1	56174	ROD CAP FOR 2" CYLINDERS
13	1	56187	SEAL KIT FOR 2" CYLINDER
14	1	53371	CYLINDER PIN
*	1	66933	2.0" X 10" HYDRAULIC CYLINDER (3000 PSI), WITH ORB PORTS

**NOTE: \* MEANS NOT SHOWN**

**FIGURE 13**  
**OPTIONAL HYDRAULIC REAR OPENING CYLINDER**



## FIGURE 13

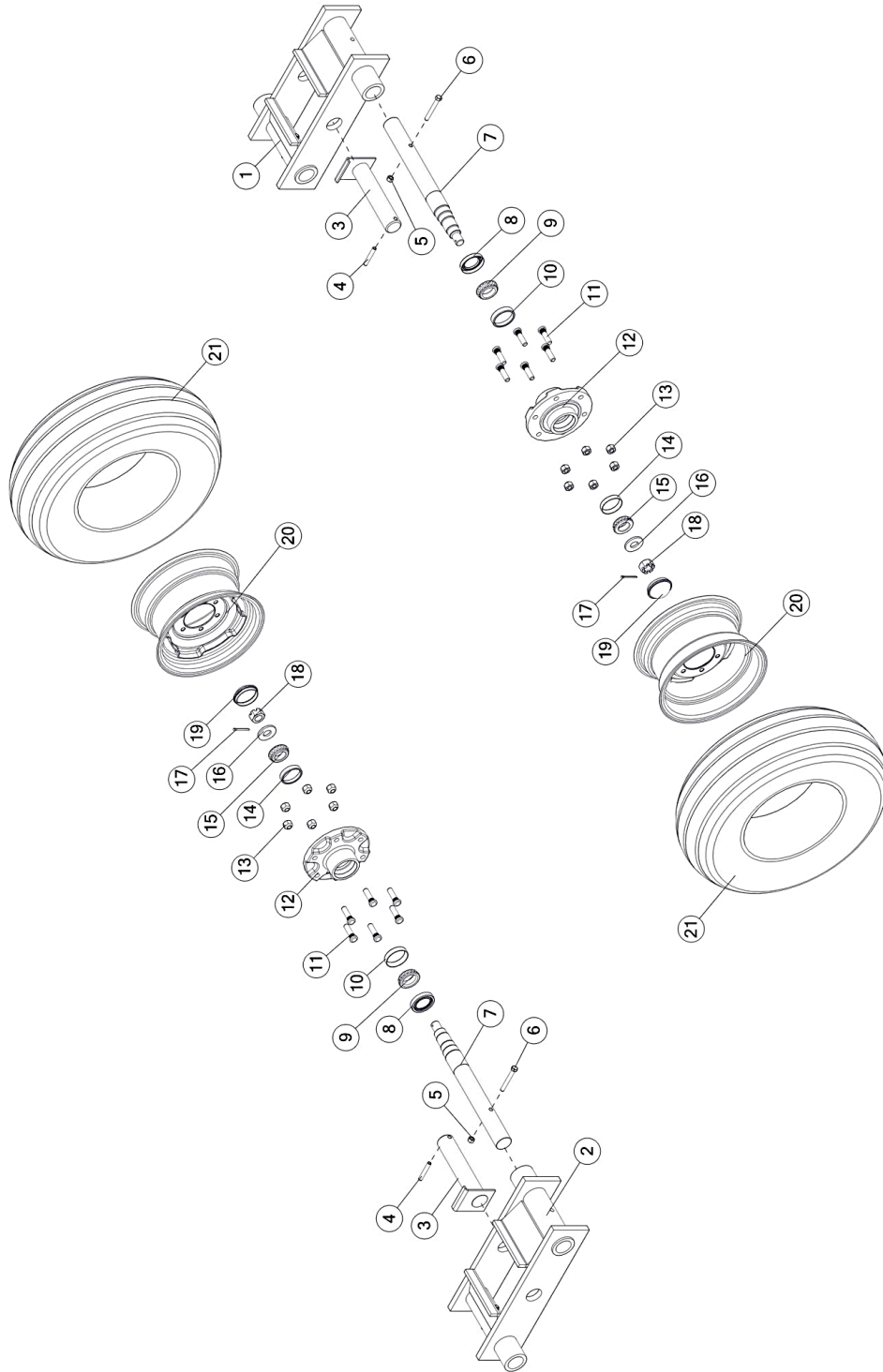
### OPTIONAL HYDRAULIC REAR OPENING CYLINDER

<u>ITEM</u>	<u>QTY</u>	<u>PART #</u>	<u>DESCRIPTION</u>
1	1	71743	2.5" X 8" CYLINDER (3000 PSI), WITH ORB PORTS
2	2	T143	HYDRAULIC CYLINDER PIN
3	4	YPHR02020	HAIR PIN, #23-10
4	2	CHM268	ELBOW (6 C50X-S)
5	1	58142	FITTING 6 XHX7-S .031 ORIFICE
6	2	71760	HYD HOSE ASSY, 6 X 505, 6 FEMALE JIC, 8 MALE ORB
7	1	23N67	FRONT HOSE BRACKET
8	1	YNTL12005	HEX NUT, TOP LOCK, 3/8" - 16 SEAL KIT FOR 2.5"
*	1	56188	CYLINDER
*	2	67148	FTG, ST, 8ORB, QUICK COUPLER TIP

**NOTE: \* MEANS NOT SHOWN**

# FIGURE 14

## OPTIONAL TANDEM AXLE



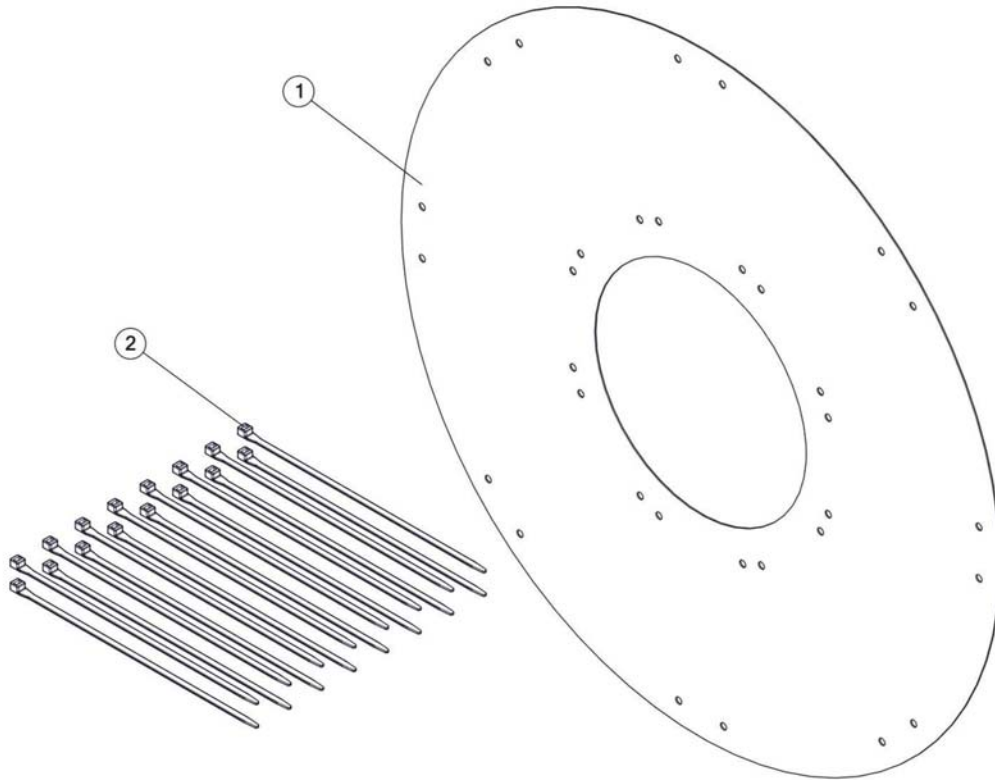
## FIGURE 14

### OPTIONAL TANDEM AXLE

<u>ITEM</u>	<u>QTY</u>	<u>PART #</u>	<u>DESCRIPTION</u>
1	1	71736	RIGHT TANDEM
2	1	71739	LEFT TANDEM
3	2	58277	AXLE PIVOT PIN
4	2	YPEX12022	EXPANSION PIN, 3/8" X 2-3/8"
5	4	YNTL12005	HEX NUT, TOP LOCK, 3/8" - 16
6	4	YBHH12120	BOLT, 3/8" X 3" GR. 5
7	2	FR55	BACK SPINDLE
8	2	12N17	SEAL
9	2	12N18	INNER BEARING
10	2	12N19	INNER RACE
11	12	YBSD16005	STUD BOLT, 1/2" - 20 UNF X 1-7/8"
12	2	RG101	888 HUB CASTING
13	12	YNWL16005	WHEEL NUT, 1/2" - 20 UNF
14	2	17G146	OUTER RACE
15	2	17G145	OUTER BEARING
16	2	HD200	ROAD WHEEL SPINDLE WASHER
17	2	YPCT05010	COTTER PIN, 5/32" X 1-1/2"
18	2	YNSL28005	HEX NUT, SLOTTED, 7/8" - 14
19	2	17G144	HUB CAP
20	2	RG127	WHEEL 15 X 6, 6 BOLT
21	2	UR1	9.5L X 15 8 PLY TIRE & TUBE
*	2	53854	COMPLETE WHEEL & TIRE ASSEMBLY

**NOTE: \* MEANS NOT SHOWN**

**FIGURE 15**  
**WIND GUARD**

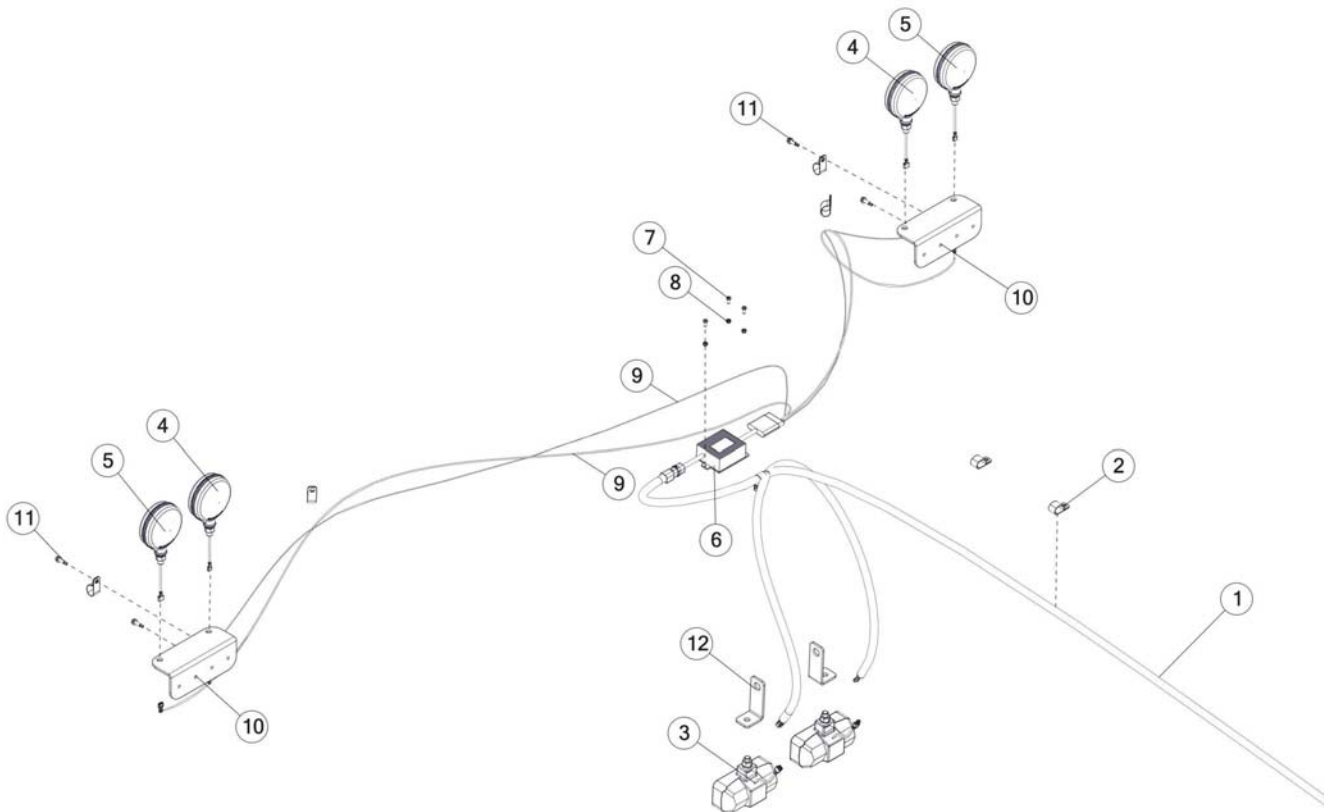


<b><u>ITEM</u></b>	<b><u>QTY</u></b>	<b><u>PART #</u></b>	<b><u>DESCRIPTION</u></b>
1	1	59039	POLY WIND GAURD, FOR 60" RAKE WHEEL
2	16	57626	15 INCH 120# BLACK CABLE TIE



## FIGURE 16

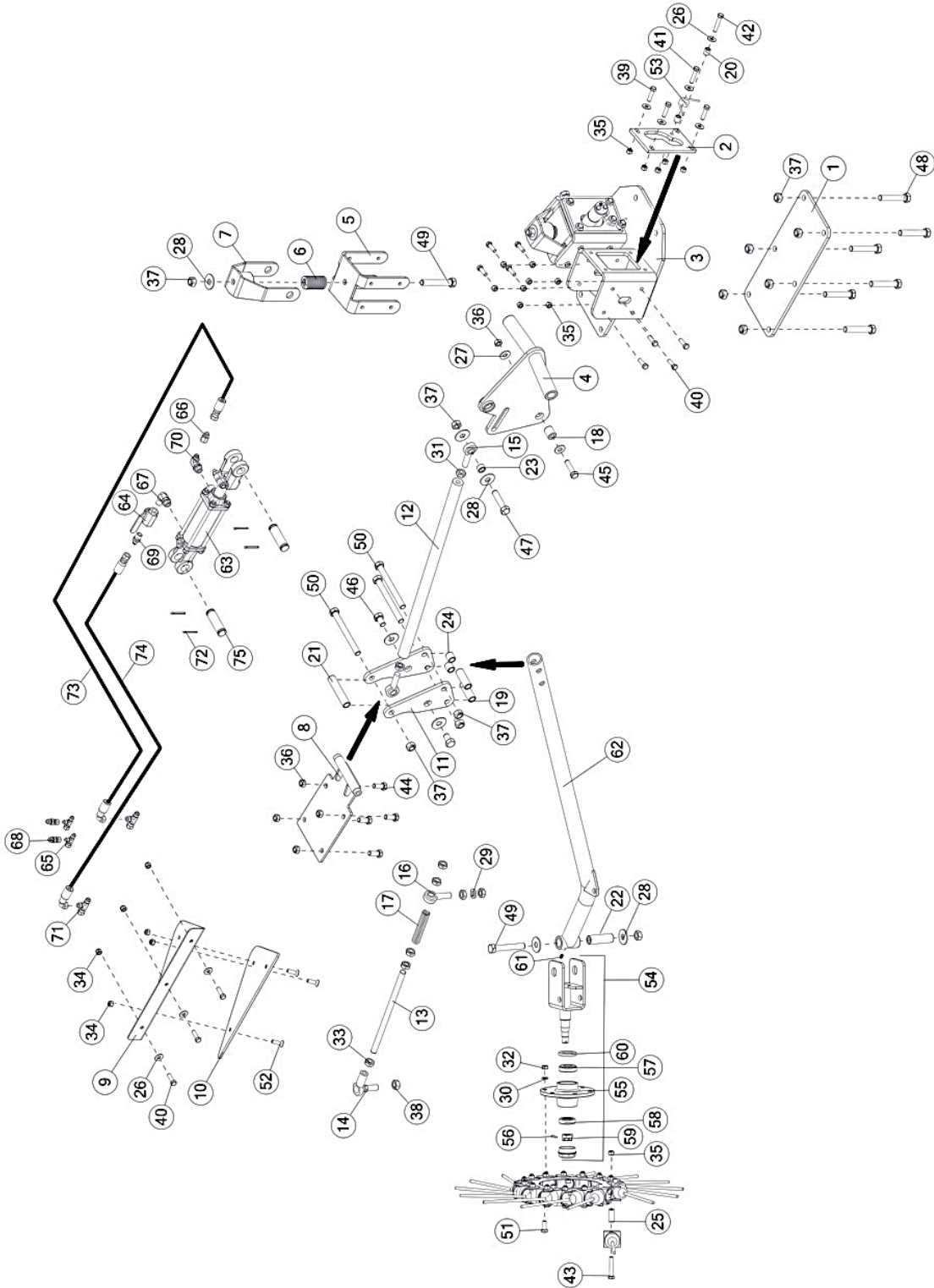
### OPTIONAL LIGHTING



<b>ITEM</b>	<b>QTY</b>	<b>PART #</b>	<b>DESCRIPTION</b>
1	1	60537	HARNES, MAIN
2	8	HGV72	CUSHION WIRE CLAMP
3	2	DWM130	FLOODLIGHT - WORKING LIGHT
4	2	BFR675	RED LIGHT
5	2	DWM129	YELLOW HAZARD THIN LIGHT 2-WAY
6	1	S441	LIGHT MODULE
7	3	YSP64005	MISC. PHILLIPS PAN HEAD TYPE, 10-32 X 1/2"
8	3	YNNY62005	8-32, HEX NYLON INSERT LOCKNUT
9	1	FR2	REAR RAKE HARNES
10	2	67811	REAR LIGHT BRACKET
11	4	YSDR08005	SELF DRILLING SCREW, HEX WASHER HEAD, 1/4" - 14 X 1" (ZINC)
12	2	BFR675	BRACKETS, LIGHTS

# FIGURE 17

## OPTIONAL KICKER WHEEL



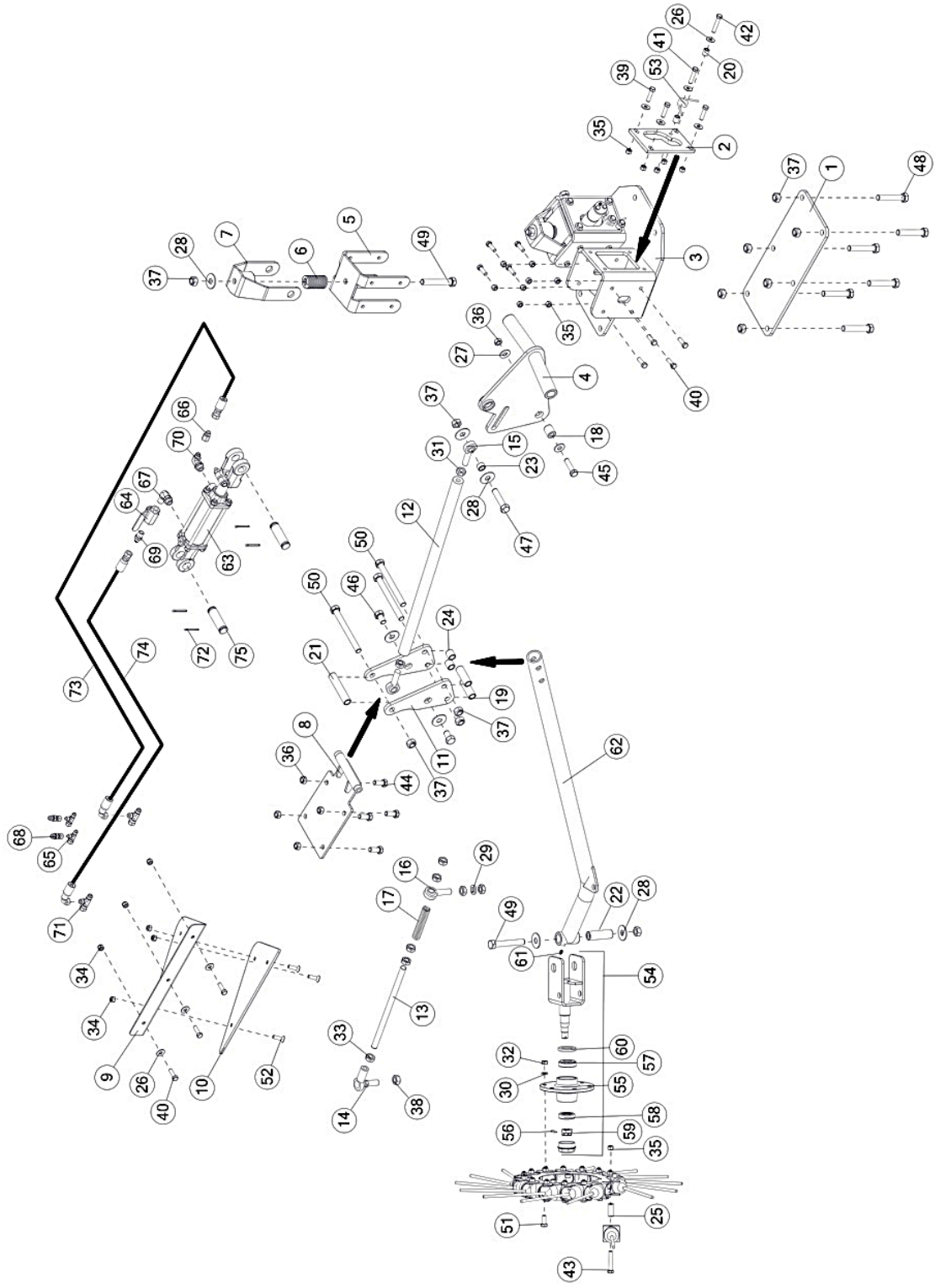
## FIGURE 17

### OPTIONAL KICKER WHEEL

<u>ITEM</u>	<u>QTY</u>	<u>PART #</u>	<u>DESCRIPTION</u>
1	1	71496	PLT, 17.3 X 7.35 X 0.38
2	2	71526	PLT, 6.60 X 4.50 X 0.38
3	1	71486	WLDMT, KICKER MAIN
4	1	71495	WLDMT, KICKER BELL
5	2	71500	BRKT, SPRING BASE
6	2	71574	SPRG, 3.00 X 1.80 X 1930, DIE
7	2	71534	WLDMT, SPRING YOKE
8	1	71521	WLDMT, PIVOT
9	1	71185	BRKT, KICKER DEFLECTOR
10	1	71192	PANEL, POLY 1/4, DEFLECTOR
11	2	71522	PLT, 8.38 X 4.25 X 0.38
12	1	71601	TUBE, 1.25 X 0.75 X 26.7
13	1	71618	ALLTHREAD, 5/8-18 X 12.5
14	1	71599	BRG, BALL JOINT, 5/8-18 F
15	1	71593	BRG, 5/8 ROD END LH
16	2	71594	BRG, ROD END RH
17	1	71296	SPRG, 6.00 X 2.80 X 16.0
18	1	71487	BSH, 1.00 X 0.52 X 1.15, ZC
19	2	71548	BSH, 0.88 X 0.66 X 2.53, STL
20	2	71568	TUBE, 0.63 X 0.12 X 0.70
21	1	71577	BSH, 0.88 X 0.66 X 4.38, STL
22	1	71584	BSH, 1.00 X 0.63 X 3.00
23	1	71605	BSH, 0.88 X 0.66 X 0.50, STL
24	2	71536	BSH, 0.88 X 0.66 X 0.88, STL
25	1	70807	TUBE, RND, STR, 0.63 X .12 X 1.39, DOM
26	8	YWFL12005	WASHER, FLAT, 3/8 USS
27	2	YWFL16005	WASHER, FLAT, 1/2 USS
28	4	YWFL20005	WASHER, FLAT, 5/8 USS
29	1	YWLO20005	WASHER, LOCK, 5/8
30	6	YWLO76015	WASHER, LOCK, M10
31	2	YNJM20011	NUT, HEX, 5/8-18, NA, G5, ZY, LH JAM
32	6	YNHX76015	HEX NUT, M10-1.5
33	8	YNJM20010	HEX NUT, JAM, 5/8-18
34	6	YNNY12005	HEX NUT, NYLON LOCKNUT, 3/8
35	24	YNTL12005	HEX NUT, TOP LOCK, 3/8-16
36	5	YNTL16005	HEX NUT, TOP LOCK, 1/2-13
37	12	YNTL20005	HEX NUT, TOP LOCK, 5/8-11
38	1	YNTL20006	HEX NUT, TOP LOCK, 5/8-18
39	6	YBHH12025	BOLT, 3/8-16 X 1-1/2 GR 5
40	11	YBHH12035	BOLT, 3/8"-16 X 1-1/4" GR. 5

# FIGURE 17

## OPTIONAL KICKER WHEEL



# FIGURE 17

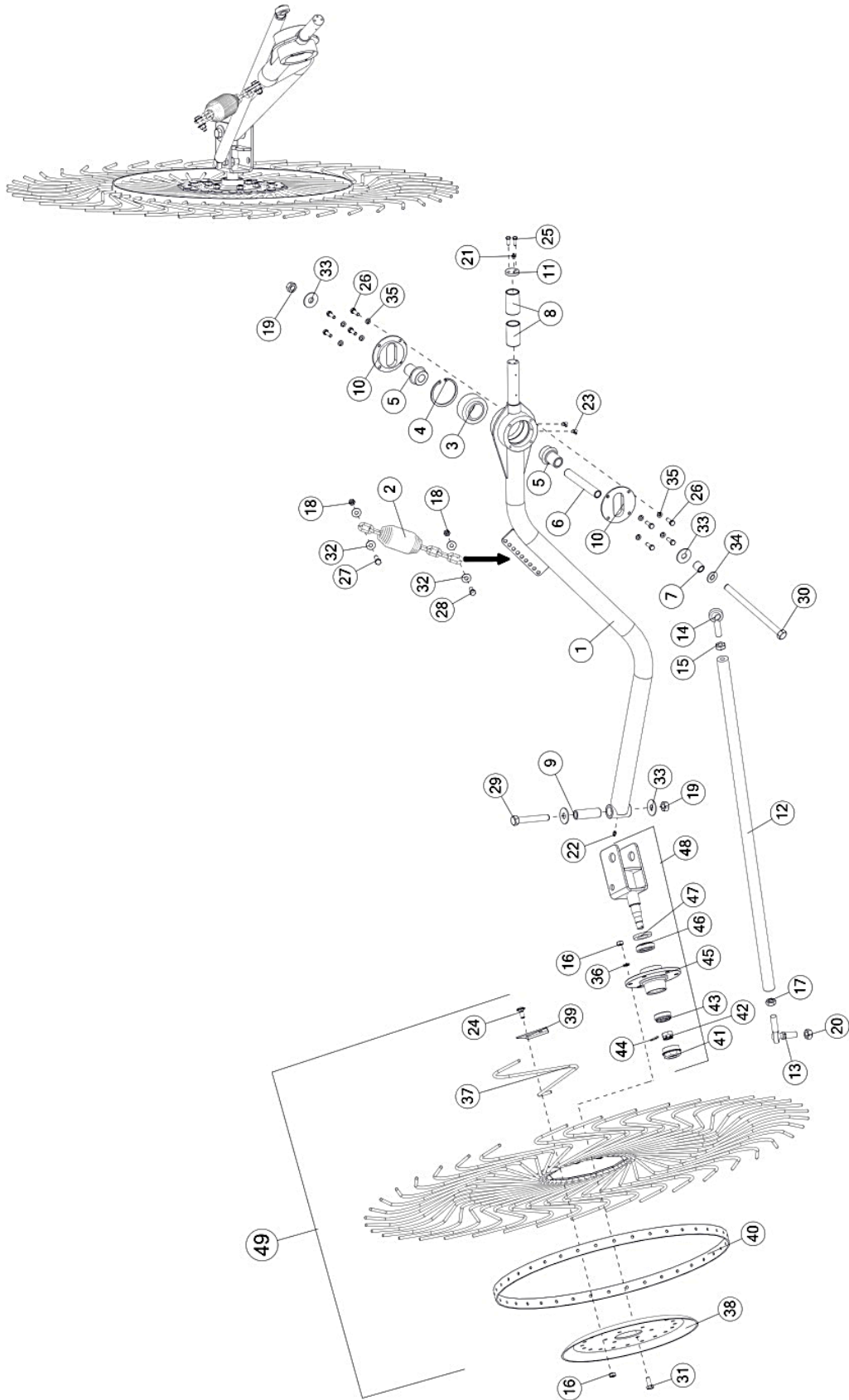
## OPTIONAL KICKER WHEEL

<u>ITEM</u>	<u>QTY</u>	<u>PART #</u>	<u>DESCRIPTION</u>
41	2	YBHH12060	BOLT, 3/8 X 1-3/4 GR 5
42	2	YBHH12075	BOLT, 3/8 X 2 GR 5
43	15	YBHH12100	BOLT, 3/8 X 2-1/4 GR 5
44	4	YBHH16045	BOLT, 1/2-13 X 1-1/4 GR 5
45	1	YBHH16065	BOLT, 1/2"-13 X 2" GR 5
46	2	YBHH20005	BOLT, 5/8-11 X 1 GR 5
47	1	YBHH20045	BOLT, 5/8-11 X 2-3/4 GR 5, ZINC
48	6	YBHH20055	BOLT, 5/8-11 X 3-1/2, GR 5, ZINC
49	2	YBHH20065	BOLT, 5/8-11 X 4 GR 5, ZINC
50	3	YBHH20103	BOLT, 5/8-11 X 6-1/2 GR 5
51	6	YBHH76015	SCR, HHC, M10, 1.5, 25MM, 10.9, ZC
52	3	YSFS12005	FLAT HEAD SOCKET CAP SCREW, 3/8 X 1-1/4
53	2	71570	SPRG, TORS, 90° X 180° X 40
54	1	71581	WLDMT, SPINDLE B
55	1	1086	HUB, RAKE WHEEL
56	1	1088	CLIP, RETAINING
57	1	600012	BRG, 2.05 X 0.75, TAPER, COMPLETE
58	1	600014	BRG, 1.85 X 0.75, TAPER, COMPLETE
59	1	T172	NUT, HEX, 18MM - 1.5, CASTLE, G2, NF
60	1	T163	SEAL, 2.05 X 1.25 X .25
61	1	MS26	1/4" - 28, STRAIGHT STANDARD SHORT GREASE FITTING
62	1	71529	WLDMT, CENTER POLE
63	1	70797	CYL, HYD, 10.2 X 14.2
*	1	72160	ASSEM, 2" CYL TIE ROD
*	1	72161	ASSEM, SEAL KIT
64	1	16SV338	VALVE, BALL, 3/8"
65	2	58101	FITTING 4 R6X-S
66	1	58142	FITTING 6 XHX7-S .031 ORIFICE
67	1	70158	FTG,90,3/4ORB,3/8NPT,STL
68	2	71802	FTG, ST, 6 MALE JIC, 4 FEMALE JIC, STL, EXPANDER
69	1	CHM202	3/8 MALE NPT TO -6 MALE JIC
70	1	CHM206	06 90 DEG TO 3/4-16 ORB FITTING
71	2	CHM242	SWIVEL RUN TEE 6-R6X-S FITTING
72	4	YPCT05010	COTTER PIN 5/32" X 1-1/2"
73	1	71780	HOSE ASSY, HYD, 6, 201, 6 JIC, 6 JIC
74	1	71778	HOSE ASSY, HYD, 6, 193, 6 JIC, 6 JIC
75	2	T143	HYDRAULIC CYLINDER PIN

**NOTE: \* MEANS NOT SHOWN**

# FIGURE 17

## OPTIONAL KICKER WHEEL



# FIGURE 17

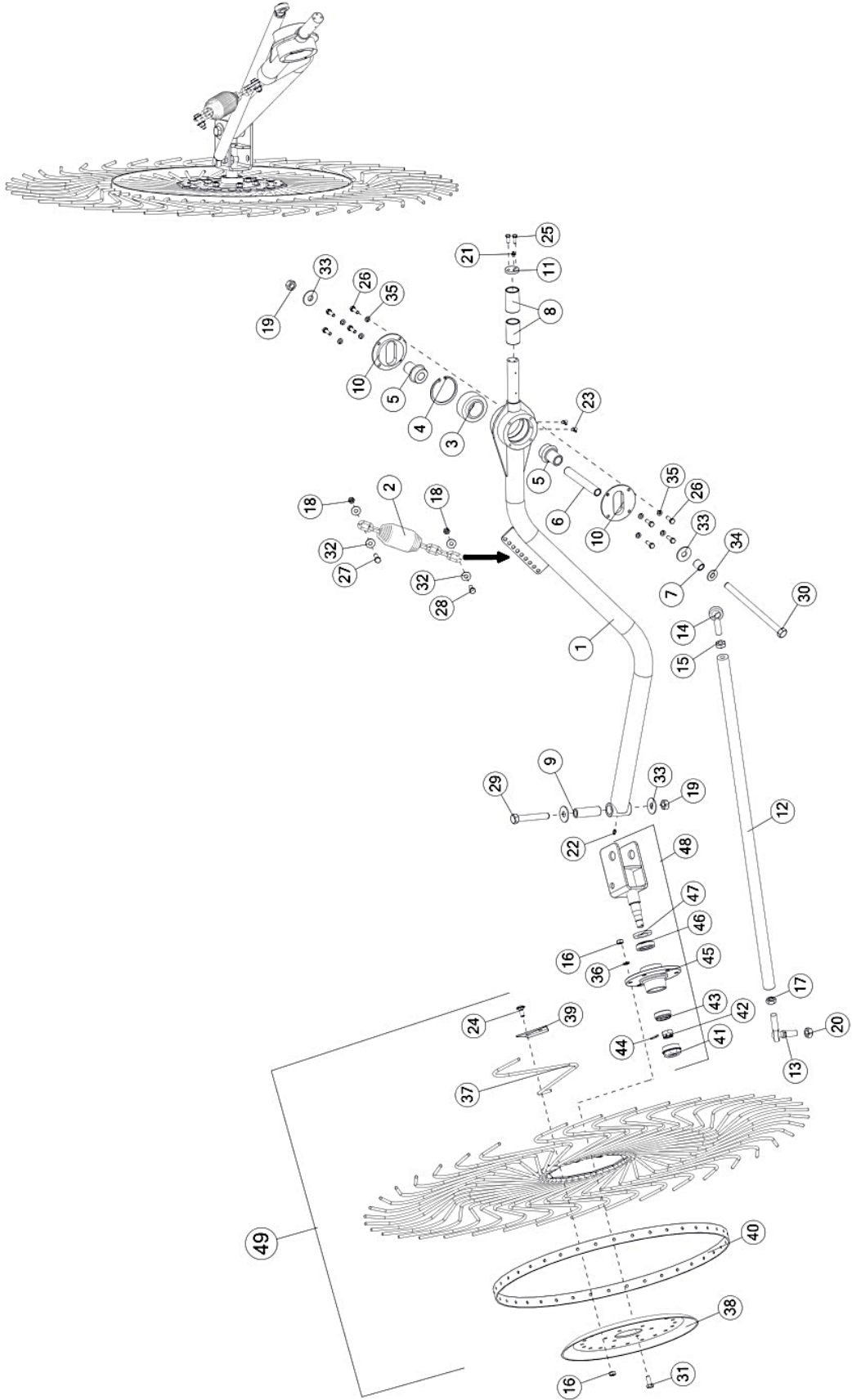
## OPTIONAL KICKER WHEEL

<u>ITEM</u>	<u>QTY</u>	<u>PART #</u>	<u>DESCRIPTION</u>
1	1	71558	WLDMT, RIGHT POLE.
*	1	71560	WLDMT, LEFT POLE
2	2	8771	RAKE WHEEL SPRING
3	2	71553	BRG, 3.125 X 1.75 X 1.56
4	2	71608	SNAP RING
5	2	71550	BSH, 2.08 X 0.89 X 2.44, STL
6	2	71535	BSH, .875 X .635 X 6.30
7	2	71536	BSH, 0.88 X 0.66 X 0.88, STL
8	4	71563	BSH, 1.50 X 1.25 X 2.47
9	2	71584	BSH, 1.00 X 0.63 X 3.00
10	4	71562	PLT 4.25 X 0.50
11	2	71993	PLT, 1.50 X 1.50 X 0.25, KEEPER
12	2	71600	SHAFT, 1.25 X 43.0, TIE ROD
13	2	71598	BRG, BALL JOINT 5/8 -18 M
14	2	71593	BRG, 5/8 ROD END LH
15	2	YNJM20011	NUT, HEX, 5/8-18, NA, G5, ZY, LH JAM
16	52	YNHX76015	HEX NUT, M10-1.5
17	2	YNJM20010	HEX NUT, JAM, 5/8-18
18	4	YNL12005	HEX NUT, TOP LOCK, 3/8-16 HEX
19	4	YNL20005	NUT, TOP LOCK, 5/8-11 HEX NUT,
20	2	YNL20006	TOP LOCK,5/8-18

**NOTE: \* MEANS NOT SHOWN**

# FIGURE 17

## OPTIONAL KICKER WHEEL





## FIGURE 17

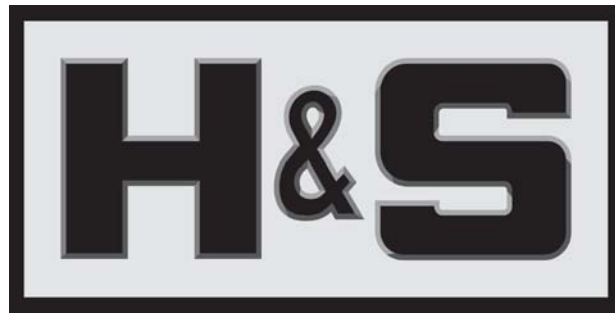
### OPTIONAL KICKER WHEEL

<u>ITEM</u>	<u>QTY</u>	<u>PART #</u>	<u>DESCRIPTION</u>
21	2	G89	ZERK, 1/4"-28 STRAIGHT
22	2	MS26	1/4" - 28, STRAIGHT STANDARD SHORT GREASE FITTING
23	4	RG51	ZERK, 90 DEGREE 1/4"-28 # B1911
24	20	YBCR76005	CARR. BOLT, 10MM X 25MM
25	4	YBHH08102	HBOLT 0.2500-28X0.750 GR8
26	16	YBHH10010	BOLT, 5/16-18 X 1 GR 5
27	2	YBHH12025	BOLT, 3/8-16 X 1-1/2 GR 5
28	2	YBHH12035	BOLT, 3/8"-16 X 1-1/4" GR. 5
29	2	YBHH20065	BOLT, 5/8-11 X 4 GR 5, ZINC
30	2	YBHH20120	BOLT, 5/8-11 X 9" GR 5
31	12	YBHH76015	BOLT, M10-1.5 (25MM)
32	4	YWFL12005	WASHER, FLAT, 3/8 USS
33	8	YWFL20005	WASHER, FLAT, 5/8 USS
34	2	YWFL20010	WASHER, FLAT, 5/8" SAE GR. 8 (YELLOW ZINC)
35	16	YWLO10005	WASHER, LOCK, 5/16
36	12	YWLO76015	WASHER, LOCK, M10
37	80	10WR42	RAKE WHEEL TOOTH, 49" , BLACK
38	2	FR71	RAKE WHEEL CENTER
39	10	FR74	RAKE TOOTH CLIP
40	2	T177A	RAKE WHEEL OUTER RING
41	2	T173	CAP, HUB, RAKE WHEEL
42	2	T172	NUT, HEX, 18MM - 1.5, CASTLE, G2, NF
43	2	600014	BRG, 1.85 X 0.75, TAPER, COMPLETE
44	2	1088	CLIP, RETAINING
45	2	1086	HUB, RAKE WHEEL
46	2	600012	BRG, 2.05 X 0.75, TAPER, COMPLETE
47	2	T163	SEAL, 2.05 X 1.25 X .25
48	2	71580	WLDMT, SPINDLE A
49	1	10WR17	LH RAKE WHEEL, 49" DIAMETER, BLACK
*	1	71622	49" RAKE WHEEL RH

**NOTE: \* MEANS NOT SHOWN**







**H&S Manufacturing products are approved for the  
FEMA SEAL OF QUALITY**

**P.O. BOX 768, MARSHFIELD, WI 54449  
(715) 387-3414 FAX (715) 384-5463  
[www.hsmfgco.com](http://www.hsmfgco.com)**