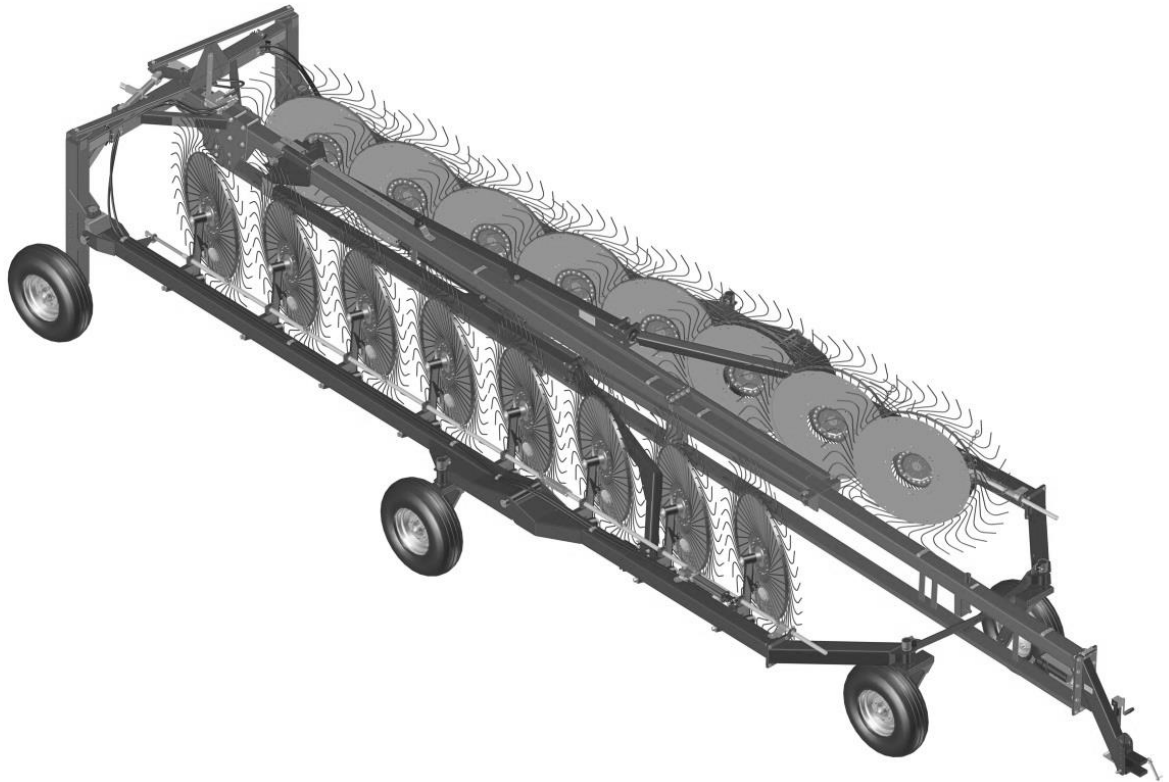


H&S

PARTS BOOK

FF6116



Revision #06
Starting Ser. #911FF16001

Part #71355
HSMFG0219

2608 S. HUME AVE. , MARSHFIELD, WI 54449
(715) 387-3414 FAX (715) 384-5463
www.hsmfgco.com

CONTENTS

| | |
|--|-------|
| Instructions for Ordering Parts - About Improvements | 1 |
| Figure 1 - Main Frame Front | 2-3 |
| Figure 2 - Main Frame Middle | 4-5 |
| Figure 3 - Main Frame Rear | 6-7 |
| Figure 4 - Rear Frame & Axle Assembly | 8-9 |
| Figure 5 - Right Caster | 10-11 |
| Figure 6 - Left Caster | 12-13 |
| Figure 7 - Right & Left Front Rake Beams | 14-15 |
| Figure 8 - Right & Left Back Rake Beams | 16-17 |
| Figure 9 - U-Joint Assembly | 18-19 |
| Figure 10 - Rake Wheel Assembly | 20-21 |
| Figure 11 - Hydraulics | 22-23 |
| Figure 12 - Lift Cylinder | 24-25 |
| Figure 13 - Optional Hydraulic Rear Opening Cylinder | 26-27 |
| Figure 14 - Optional Tandem Axle | 28-29 |
| Figure 15 - Wind Guard | 30 |
| Figure 16 - Optional Lighting | 31 |
| Figure 17 - Optional Kicker Wheel. | 32-39 |
| Figure 18 - Optional Bumper Kit. | 40-41 |
| Figure 19 - Optional 2 Point Hitch. | 42-43 |
| Parts Notes | 44 |

INSTRUCTIONS FOR ORDERING PARTS

All service parts should be ordered through your authorized H&S dealer. They will be able to give you faster service if you will provide them with the following

1. Model & Serial number is located on the left, rear main frame of your unit.
2. All reference to left or right apply to the machine as viewed from the rear.
3. Parts should not be ordered from illustration only. Please order by complete part number.
4. If your dealer has to order parts - give shipping instructions:
VIA truck - large pieces (please specify local truck lines)
VIA United Parcel Service (include full address)

| | |
|------------------------------|----------------------|
| H&S MFG. CO. INC. | |
| MARSHFIELD, WIS. | |
| MOD. NO. | <input type="text"/> |
| SER. NO. | <input type="text"/> |
| DESCR. | <input type="text"/> |

PLEASE RECORD NUMBERS FOR YOUR UNIT FOR QUICK REFERENCE

ABOUT IMPROVEMENTS

H&S IS CONTINUALLY STRIVING TO IMPROVE IT'S PRODUCTS

We must therefore, reserve the right to make improvements or changes whenever it becomes practical to do so without incurring any obligation to make changes or additions to the equipment previously sold.

FIGURE 1
MAIN FRAME FRONT

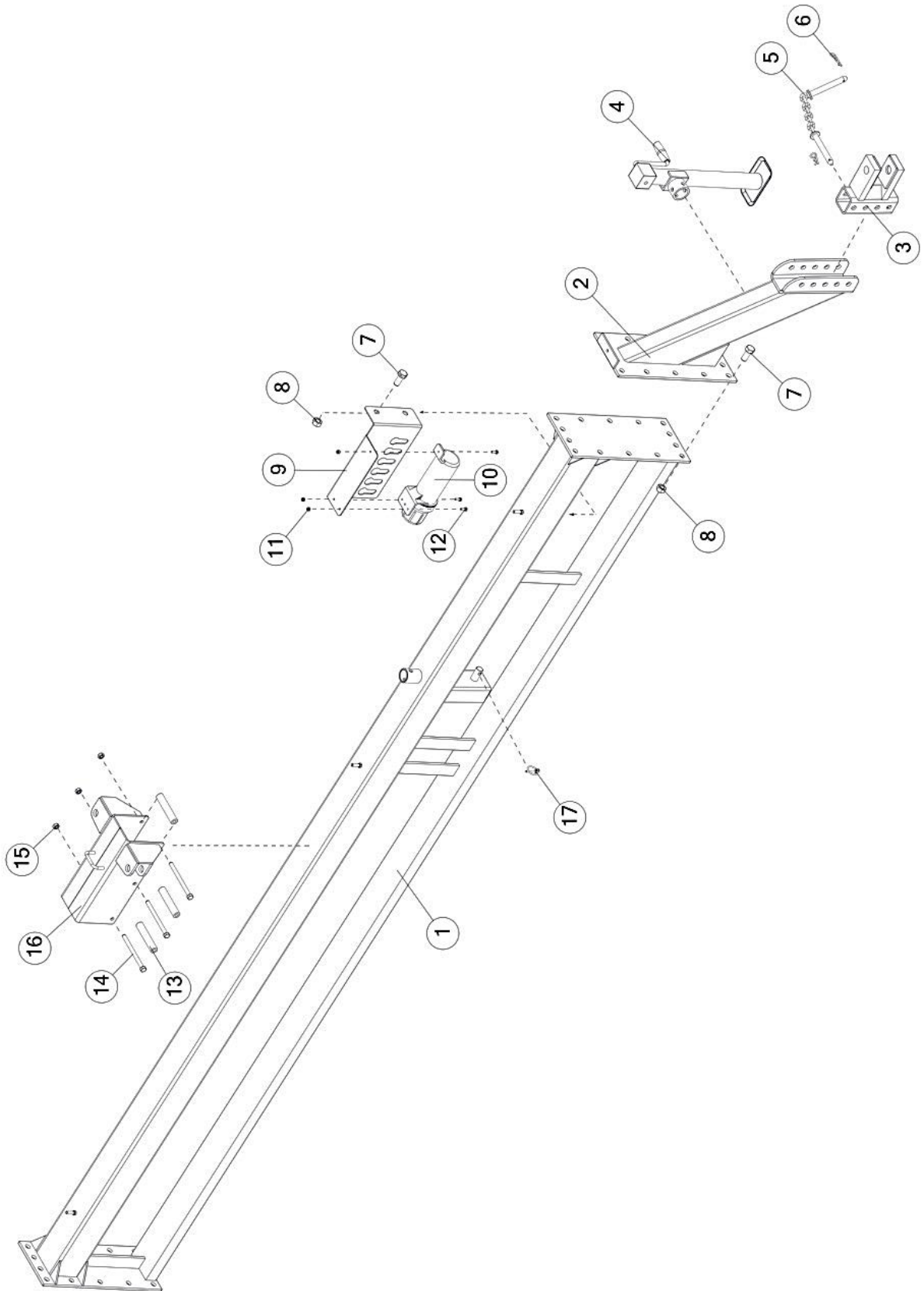


FIGURE 1

MAIN FRAME FRONT

| <u>ITEM</u> | <u>QTY</u> | <u>PART #</u> | <u>DESCRIPTION</u> |
|-------------|------------|---------------|-----------------------------------|
| 1 | 1 | 67198 | POLE, FRONT |
| 2 | 1 | 68972 | WELDMENT, HITCH RECEIVER |
| * | 1 | SC10100 | SAFETY CHAIN 10,100 LB. RATING |
| 3 | 1 | HD83 | ASSY, HITCH CLEVIS |
| 4 | 1 | BFR753A | JACK, SIDEWIND,2000# |
| 5 | 1 | BFR450 | ASSY, HITCH PIN |
| 6 | 2 | YPHR02010 | HAIR PIN, #21-07 |
| 7 | 14 | YBHH24014 | BOLT, 3/4-10 X 1-3/4" GR. 5 |
| 8 | 14 | YNTL24005 | HEX NUT, TOP LOCK, 3/4-10 |
| 9 | 1 | 60269 | HOSE HOLDER |
| 10 | 1 | S522 | MANUAL HOLDER |
| 11 | 3 | YNNY08005 | HEX NUT, NYLON LOCKNUT, 1/4-20 |
| 12 | 3 | YBHH08100 | BOLT, 1/4 X 3/4 GR 5 |
| 13 | 3 | 68831 | TUBE, RND, STR, 1.00 X .23 X 5.09 |
| 14 | 3 | YBHH16175 | BOLT, 1/2 X 6-1/2 GR 5 |
| 15 | 3 | YNTL16005 | HEX NUT, TOP LOCK, 1/2-13 |
| 16 | 1 | 67253 | WLDMT, FRAME, FRONT LINKAGE |
| 17 | 1 | YPLY12010 | SLIDER LYNCH PIN, 3/8" X 1-3/4" |
| * | 1 | 78464 | HITCH EXTENSION |

NOTE: * MEANS NOT SHOWN

FIGURE 2
MAIN FRAME MIDDLE

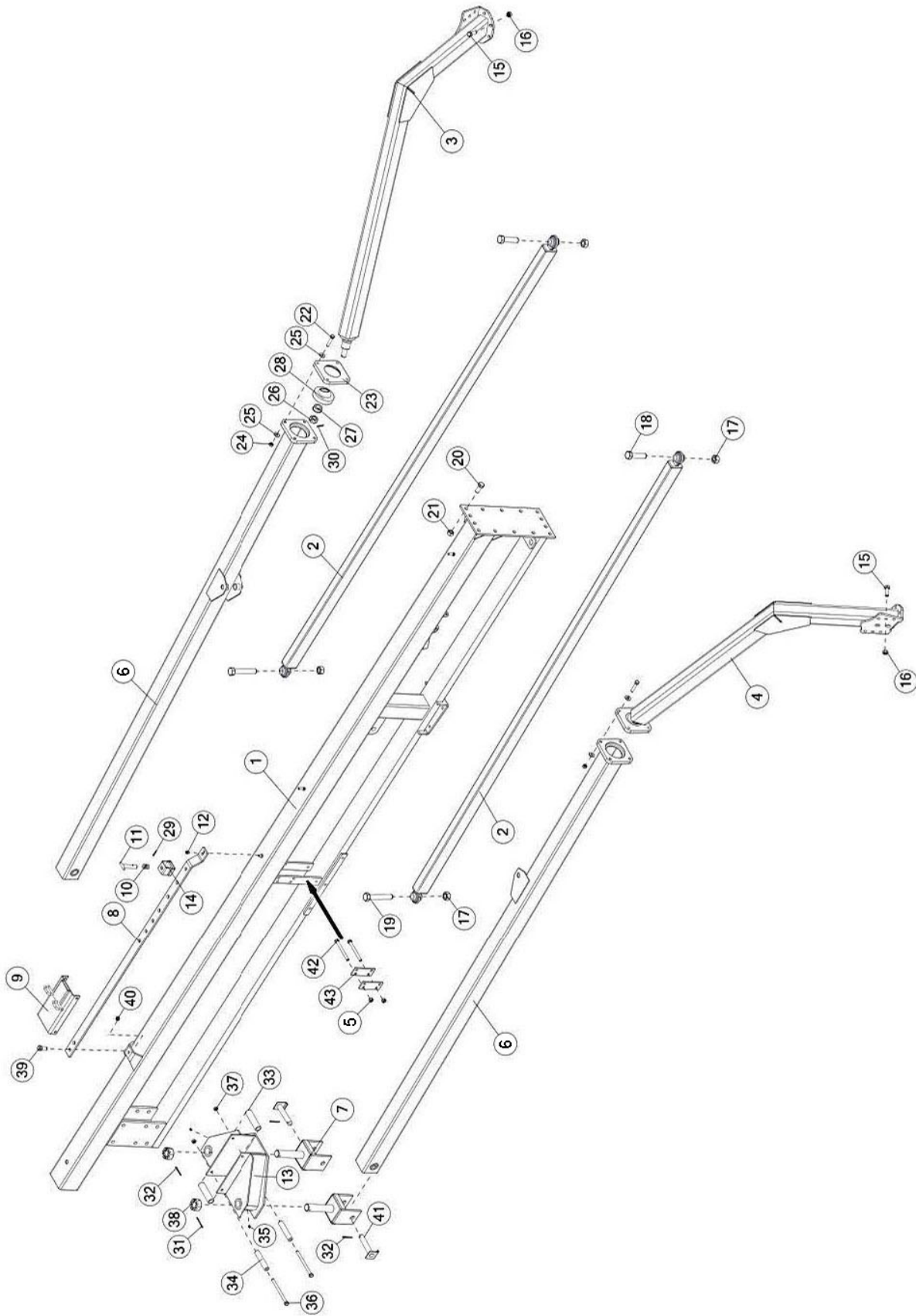


FIGURE 2

MAIN FRAME MIDDLE

| <u>ITEM</u> | <u>QTY</u> | <u>PART #</u> | <u>DESCRIPTION</u> |
|-------------|------------|---------------|---------------------------------------|
| 1 | 1 | 67167 | BACK POLE |
| 2 | 2 | BFR458 | ASSY, FRONT LINKAGE |
| 3 | 1 | 58352 | ARM ASSEMBLY, LH |
| 4 | 1 | 58353 | ARM ASSEMBLY, RH |
| 5 | 2 | YNRL16005 | HEX NUT, REVERSIBLE-SIDE LOCK, 1/2-13 |
| 6 | 2 | 69122 | ASSY, BACK LINKAGE YOKE LH |
| 7 | 2 | BFR476 | ASSY, BACK LINKAGE YOKE RH |
| 8 | 1 | 67416 | BRKT, ADJUSTMENT |
| 9 | 1 | 68832 | WIDTH ADJUSTMENT STOP |
| 10 | 1 | BFR240 | SPRING #SP41 |
| 11 | 1 | BFR241 | ADJUSTMENT HANDLE |
| 12 | 1 | YBFL10002 | SCR, FLG, 0.75-10 X 4.00, G8, PO |
| 13 | 1 | 68834 | BACK LINKAGE SLIDER |
| 14 | 1 | BFR239 | ASSY, SLEEVE LOCK ADJUSTMENT |
| 15 | 10 | YBHH20020 | BOLT, 5/8 X 1-3/4 GR 5 |
| 16 | 10 | YNL20005 | HEX NUT, TOP LOCK, 5/8-11 |
| 17 | 4 | YNL32005 | HEX NUT, TOP LOCK, 1"-8 GR. C, ZINC |
| 18 | 2 | YBHH32015 | BOLT, 1"-8 X 4 GR 5 |
| 19 | 2 | YBHH32025 | BOLT, 1"-8 X 6 GR 5 |
| 20 | 14 | YBHH24014 | BOLT, 3/4-10 X 1-3/4" GR. 5 |
| 21 | 14 | YNL24005 | HEX NUT, TOP LOCK, 3/4-10 |
| 22 | 8 | YBHH16080 | BOLT, 1/2 X 2-1/2 GR 5 |
| 23 | 2 | 58287 | BEARING SUPPORT |
| 24 | 8 | YNL16006 | HEX NUT, TOP LOCK, 1/2"-13 GR. 9 |
| 25 | 16 | YWFL16005 | WASHER, FLAT, 1/2 USS |
| 26 | 2 | YNSL32005 | HEX NUT, SLOTTED, 1"-14, GR 2, |
| 27 | 2 | 58301 | PLAIN SPACER, BALL |
| 28 | 2 | 58409 | MACH. PITCH ROD BALL 1.75 DIA. PIN |
| 29 | 1 | YPCT05005 | COTTER PIN, 5/32 X 1 |
| 30 | 2 | YPCT05020 | COTTER PIN, 5/32 X 1-3/4 |
| 31 | 1 | YPCT05035 | COTTER PIN, 5/32 X 2-1/2 |
| 32 | 3 | YPCT06020 | COTTER PIN, 3/16 X 2 |
| 33 | 2 | 68829 | BACK SLIDER ROLLER |
| 34 | 2 | 68831 | TUBE, RND, STR, 1.00 X .23 X 5.09 |
| 35 | 2 | G89 | ZERK, 1/4"-28 STRAIGHT |
| 36 | 2 | YBHH16180 | BOLT, 1/2 X 7 GR 5 |
| 37 | 2 | YNL16005 | HEX NUT, TOP LOCK, 1/2-13 |
| 38 | 2 | YNSL40005 | HEX NUT, SLOTTED, 1-1/2"-12 |
| 39 | 1 | YBHH20010 | BOLT, 5/8 X 1-1/2 GR 5 |
| 40 | 1 | YNL16006 | HEX NUT, TOP LOCK, 1/2"-13 GR. 9 |
| 41 | 2 | BFR479 | ASSY, PIVOT YOKE SHAFT PIN |
| 42 | 2 | YBHH16160 | BOLT, 1/2 X 5-1/2 GR 5 |
| 43 | 2 | 58692 | SPACER, CYL |

FIGURE 3

MAIN FRAME REAR

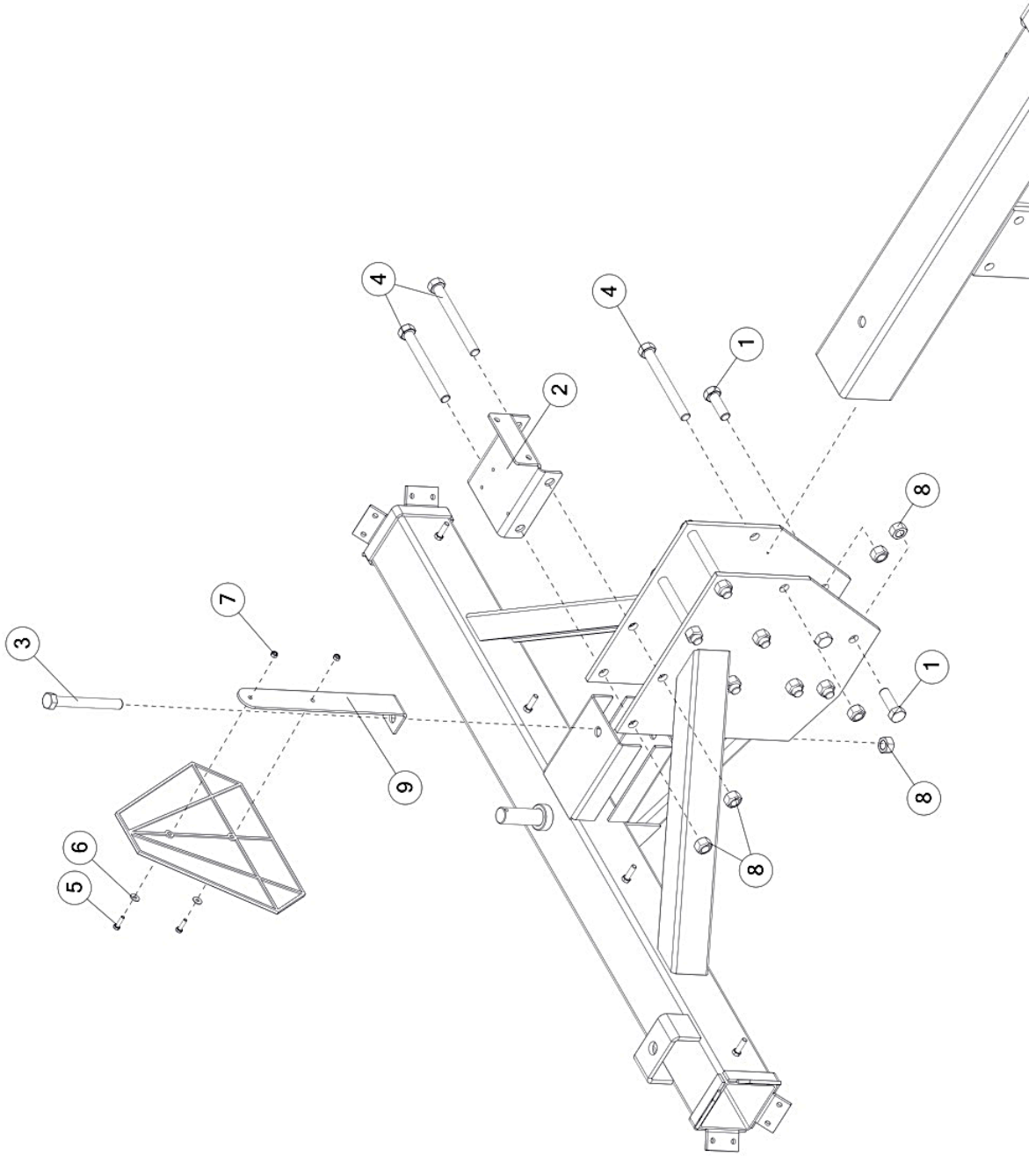


FIGURE 3

MAIN FRAME REAR

| <u>ITEM</u> | <u>QTY</u> | <u>PART #</u> | <u>DESCRIPTION</u> |
|-------------|------------|---------------|--------------------------------|
| 1 | 4 | YBHH24035 | BOLT, 3/4 X 2-1/4 GR 5 |
| 2 | 1 | 67205 | PLT, 9.55 X 9.85 X 0.1875 |
| 3 | 1 | YBHH24095 | BOLT, 3/4-10 X 6-1/2 GR 5 |
| 4 | 10 | YBHH24100 | BOLT, 3/4-10 X 7 GR 5 |
| 5 | 2 | YBHH08010 | BOLT, 1/4-20" X 1" GR 5 |
| 6 | 2 | YWFL08005 | WASHER, FLAT, 1/4 USS |
| 7 | 2 | YNNY08005 | HEX NUT, NYLON LOCKNUT, 1/4-20 |
| 8 | 14 | YNL24005 | HEX NUT, TOP LOCK, 3/4-10 |
| 9 | 1 | 63408 | SMV BRACKET |

FIGURE 4

REAR FRAME & AXLE ASSEMBLY

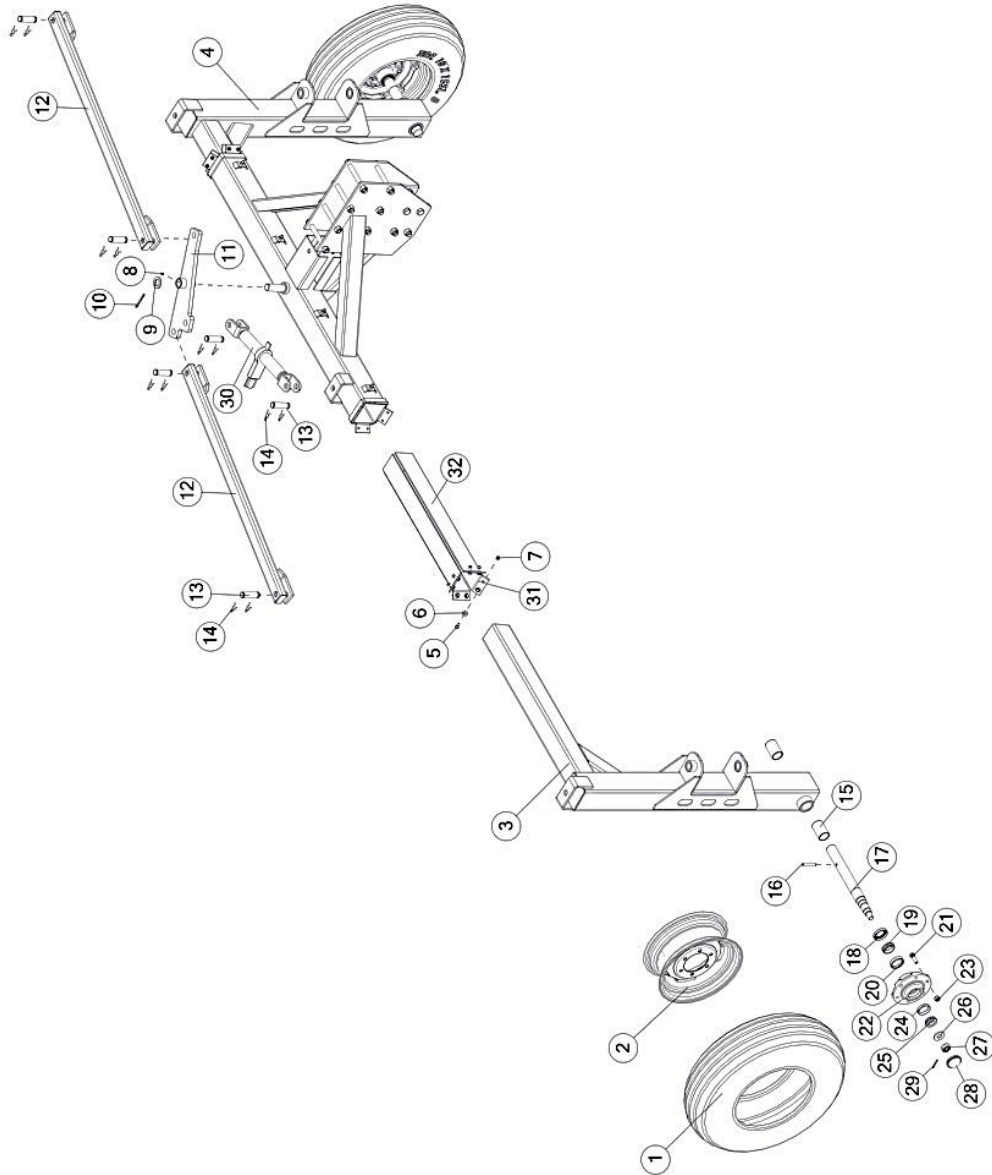


FIGURE 4

REAR FRAME & AXLE ASSEMBLY

| <u>ITEM</u> | <u>QTY</u> | <u>PART #</u> | <u>DESCRIPTION</u> |
|-------------|------------|---------------|---|
| 1 | 2 | UR1 | 9.5L X 15 8 PLY TIRE & TUBE |
| 2 | 2 | RG127 | WHEEL, 15 X 6, 6 BOLT, OFF-WHITE |
| 3 | 1 | 67169 | UPRIGHT RH |
| 4 | 1 | 67166 | UPRIGHT LH |
| 5 | 8 | YBHH10010 | BOLT, 5/16-18 X 1 GR 5 |
| 6 | 8 | YWFL10005 | WASHER, FLAT, 5/16 USS |
| 7 | 8 | YNL10005 | HEX NUT, TOP LOCK, 5/16-18 |
| 8 | 1 | G89 | STRAIGHT ZERK 1/4-28X90 |
| 9 | 1 | BFR229 | WASHER, SHIM .185x1.281 I.D.x2.00O.D. |
| 10 | 1 | YPCT08010 | COTTER PIN, 1/4 X 2-1/2 |
| 11 | 1 | HD8 | CAM ARM |
| 12 | 2 | FR9 | CYLINDER LINK |
| 13 | 6 | T143 | HYDRAULIC CYLINDER PIN |
| 14 | 12 | 53371 | CYLINDER PIN |
| 15 | 2 | 58275 | BUSHING, BRONZE, 2.00 OD X 1.75 ID X 2.875 LONG |
| 16 | 2 | YPEX12025 | EXPANSION PIN, 3/8" X 2-3/4" |
| 17 | 2 | FR55 | 1.75" X 17.500" BACK SPINDLE FOR 888 HUB |
| 18 | 2 | 12N17 | GREASE SEAL, 2.57OD X 1.61ID X 0.43 |
| 19 | 2 | 12N18 | BRG, 2.28 X 1.50 X 0.67, TAPER |
| 20 | 2 | 12N19 | HUB 888, INNER RACE, 2.48OD |
| 21 | 12 | YBSD16005 | STUD BOLT, 1/2-20 UNF X 1-7/8 (3/8" SHOULDER) |
| 22 | 2 | 58401 | CAST, HUB 888 |
| 23 | 12 | YNWL16005 | NUT,WHEEL, 1/2"-20, NA, G5, ZY |
| 24 | 2 | 17G146 | HUB 888, OUTER RACE, 2.33 OD |
| 25 | 2 | 17G145 | TAPERED ROLLER BEARING, 1.249 BORE |
| 26 | 2 | HD200 | ROAD WHEEL SPINDLE WASHER |
| 27 | 2 | YNSL28005 | HEX NUT, SLOTTED, 7/8-14 |
| 28 | 2 | 17G144 | HUB CAP |
| 29 | 2 | YPCT05010 | COTTER PIN 5/32" X 1-1/2" |
| 30 | 1 | T138 | RATCHET JACK W/ HANDLE |
| 31 | 4 | 68966 | PLT, 31.00 X 3.75 X 0.25 |
| 32 | 4 | 68967 | PLT, 31.00 X 3.75 X 0.19 |

NOTE: * MEANS NOT SHOWN

FIGURE 5

RIGHT CASTER

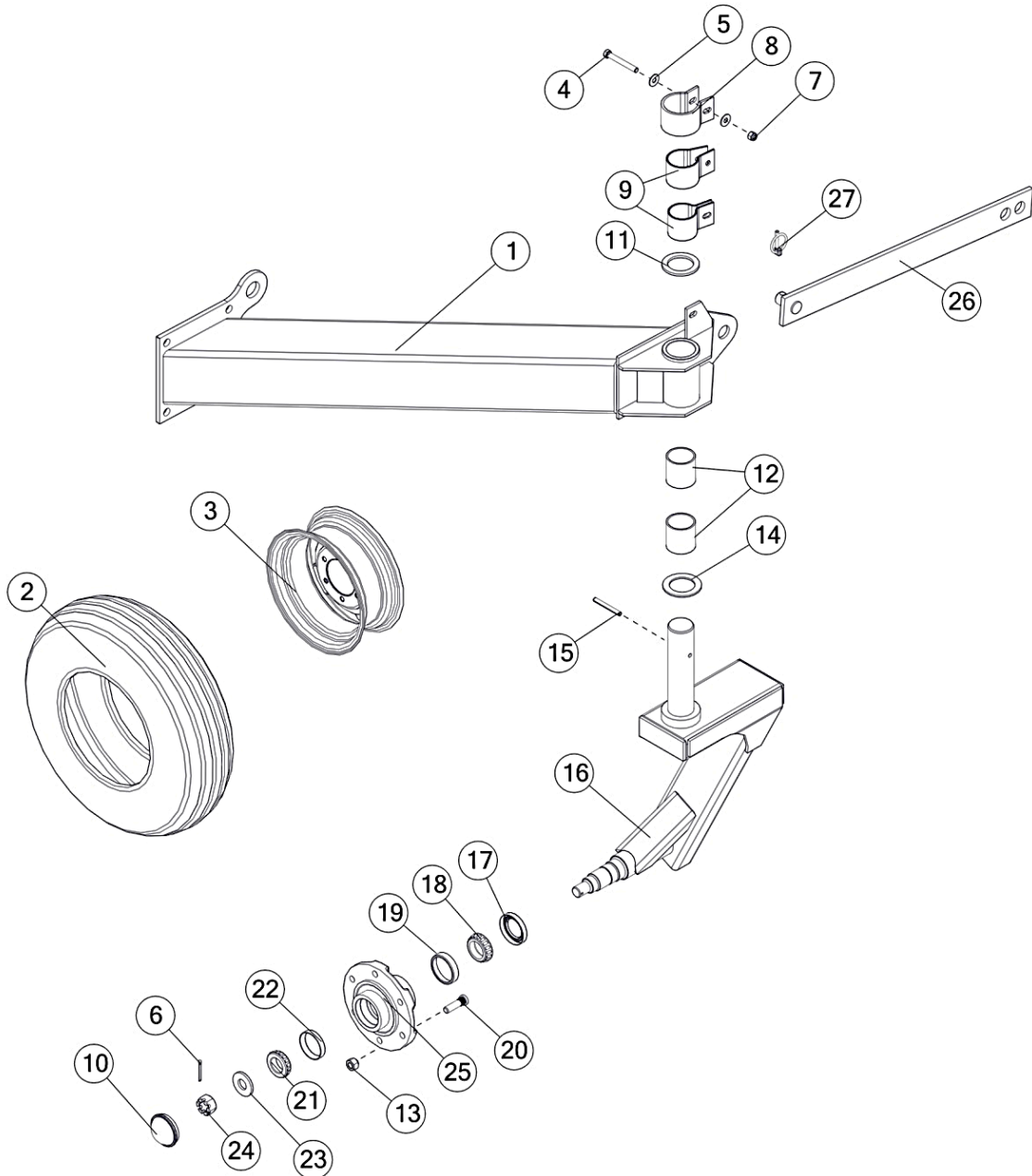


FIGURE 5

RIGHT CASTER

| <u>ITEM</u> | <u>QTY</u> | <u>PART #</u> | <u>DESCRIPTION</u> |
|--------------------|-------------------|----------------------|---|
| 1 | 1 | 67189 | ASSM, STANDOFF, RH |
| 2 | 2 | UR1 | 9.5L X 15 8 PLY TIRE & TUBE |
| 3 | 2 | RG127 | WHEEL, 15 X 6, 6 BOLT, OFF-WHITE |
| * | 2 | 53854 | COMPLETE WHEEL & TIRE ASSEMBLY |
| 4 | 2 | YBHH12125 | BOLT, HEX, FT, 3/8-16 X 3, G5, ZC |
| 5 | 4 | YWFL12005 | WASHER, FLAT, 3/8 USS |
| 6 | 2 | YPCT05010 | COTTER PIN, 5/32 X 1-1/2 |
| 7 | 2 | YNNY12005 | NUT, HEX, 3/8-16, LKNY, G2, ZC |
| 8 | 2 | BFR311 | BRAKE COLLAR |
| 9 | 4 | BFR310 | BRAKE PAD |
| 10 | 2 | 17G144 | HUB CAP |
| 11 | 2 | BFR309 | GAUGE WHEEL WASHER |
| 12 | 4 | RG26 | BUSHING, STEEL, 2.015" ID X 2.25" OD X 2.00" LONG |
| 13 | 12 | YNWL16005 | NUT, WHEEL, 1/2-20, NA, G5, ZC |
| 14 | 2 | RG24 | WASHER, THRUST, BRONZE, 2.00" ID X 3.00 OD X .125" LONG |
| 15 | 2 | YPEX10025 | EXPANSION PIN, 5/16" X 2-3/4" |
| 16 | 2 | 81647 | ASSY, RH CASTER |
| 17 | 2 | 12N17 | SEAL |
| 18 | 2 | 12N18 | BRG, 2.28 X 1.50 X 0.67, TAPER, KOYO |
| 19 | 2 | 12N19 | INNER RACE KOYO |
| 20 | 12 | YBSD16005 | BOLT, STUD, 1/2-20UNF X 1-7/8 X 3/8, G5, ZC |
| 21 | 2 | 17G145 | TAPERED ROLLER BEARING, 1.249 BORE, KOYO |
| 22 | 2 | 17G146 | OUTER RACE |
| 23 | 2 | HD200 | ROAD WHEEL SPINDLE WASHER |
| 24 | 2 | YNSL28005 | NUT, SLOT, 7/8-14, NA, G2, NF |
| 25 | 2 | RG101 | ASSM, HUB, 888, WITH RACES AND STUDS, KOYO |
| 26 | 1 | 58362 | TRANSPORT LOCK BAR |
| 27 | 1 | YPLY12010 | LYNCH PIN, 3/8" X 1-3/4" |

NOTE: * MEANS NOT SHOWN

FIGURE 6

LEFT CASTER

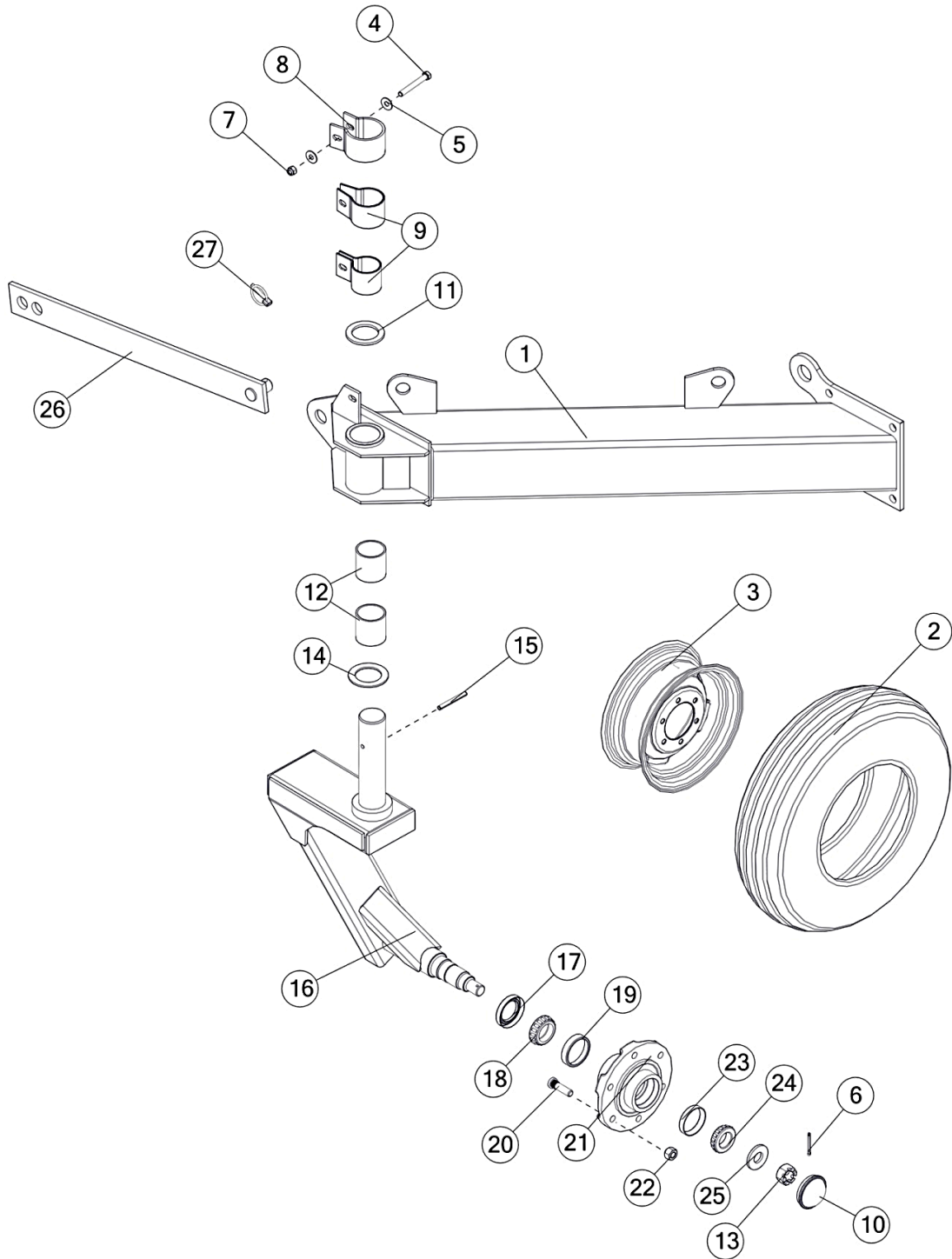


FIGURE 6

LEFT CASTER

| <u>ITEM</u> | <u>QTY</u> | <u>PART #</u> | <u>DESCRIPTION</u> |
|-------------|------------|---------------|--|
| 1 | 1 | 68878 | STANDOFF ASSM, LH |
| 2 | 2 | UR1 | 9.5L X 15 8 PLY TIRE & TUBE |
| 3 | 2 | RG127 | WHEEL 15 X 6, 6 BOLT |
| * | 2 | 53854 | COMPLETE WHEEL & TIRE ASSEMBLY |
| 4 | 2 | YBHH12125 | BOLT, 3/8 X 3 GR 5 FULL THREAD |
| 5 | 4 | YWFL12005 | WASHER, FLAT, 3/8 USS |
| 6 | 2 | YPCT05010 | COTTER PIN, 5/32 X 1-1/2 |
| 7 | 2 | YNNY12005 | HEX NUT, NYLON LOCKNUT, 3/8 |
| 8 | 2 | BFR311 | BRAKE COLLAR |
| 9 | 4 | BFR310 | BRAKE PAD |
| 10 | 2 | 17G144 | HUB CAP |
| 11 | 2 | BFR309 | GAUGE WHEEL WASHER |
| 12 | 4 | RG26 | BUSHING, 2.015" ID X 2.25" OD X 2.00" LONG |
| 13 | 2 | YNSL28005 | NUT, SLOT, 7/8-14, NA, G2, NF |
| 14 | 2 | RG24 | WASHER, THRUST, BRONZE |
| 15 | 2 | YPEX10025 | EXPANSION PIN, 5/16" X 2-3/4" |
| 16 | 2 | 81646 | ASSY, LH CASTER |
| 17 | 2 | 12N17 | SEAL |
| 18 | 2 | 12N18 | INNER BEARING |
| 19 | 2 | 12N19 | INNER RACE |
| 20 | 12 | YBSD16005 | STUD BOLT, 1/2-20 UNF X 1-7/8 |
| 21 | 2 | RG101 | HUB W/RACES & STUDS |
| 22 | 12 | YNWL16005 | WHEEL NUT, 1/2-20 UNF |
| 23 | 2 | 12N25 | OUTER BEARING |
| 24 | 2 | 12N21 | OUTER RACE |
| 25 | 2 | HD200 | ROAD WHEEL SPINDLE WASHER |
| 26 | 1 | 58362 | TRANSPORT LOCK BAR |
| 27 | 1 | YPLY12010 | LYNCH PIN, 3/8" X 1-3/4" |

NOTE: * MEANS NOT SHOWN

FIGURE 7
RIGHT & LEFT FRONT RAKE BEAMS

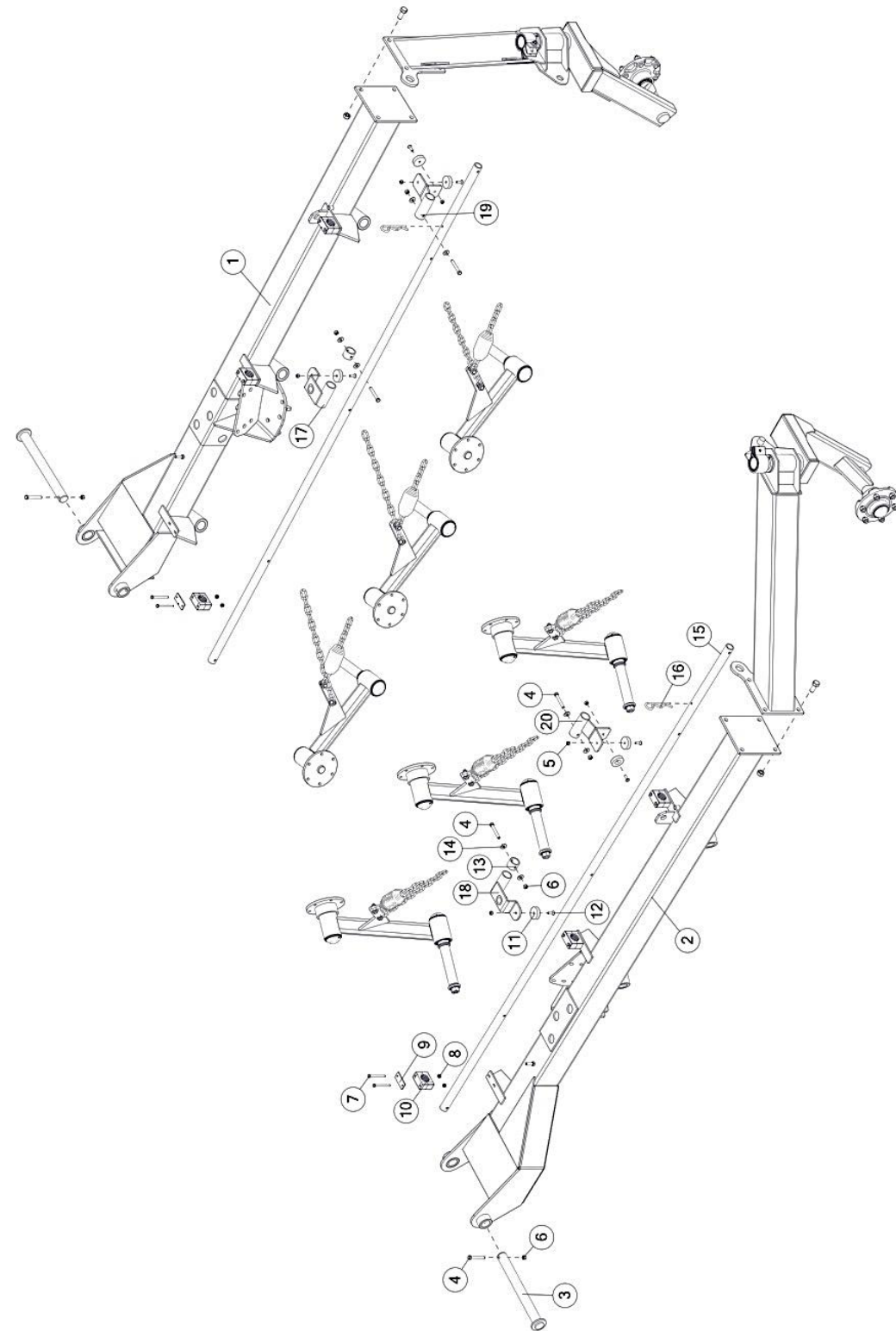


FIGURE 7

RIGHT & LEFT FRONT RAKE BEAMS

| <u>ITEM</u> | <u>QTY</u> | <u>PART #</u> | <u>DESCRIPTION</u> |
|-------------|------------|---------------|--|
| 1 | 1 | 67176 | FRONT RAKE BEAM, LH |
| 2 | 1 | 67188 | FRONT RAKE BEAM, RH |
| 3 | 2 | 67234 | PIVOT PIN |
| 4 | 6 | YBHH12110 | BOLT, 3/8 X 2-3/4 GR 5 |
| 5 | 8 | YNL10005 | HEX NUT, TOP LOCK, 5/16-18 |
| 6 | 4 | YNL12005 | HEX NUT, TOP LOCK, 3/8-16 |
| 7 | 12 | YBHH08085 | BOLT, 1/4 X 3 GR 5 |
| 8 | 12 | YNFG08005 | HEX NUT, FLANGED, TOP LOCK, 1/4-20, GR F |
| 9 | 6 | 56566 | CLAMP TOP PLATE |
| 10 | 6 | 69113 | 1-1/2" TUBE - HOSE CLAMP CUSHION |
| 11 | 6 | FR51 | SLIDER PAD |
| 12 | 6 | YSFS10005 | FLAT HEAD SOCKET CAP SCREW, 5/16 X 1 |
| 13 | 2 | FR50 | SLIDE STOP |
| 14 | 8 | YWFL12005 | WASHER, FLAT, 3/8 USS |
| 15 | 2 | 71234 | FRONT LIFT PIPE |
| 16 | 2 | YPHR08040 | HAIR PIN, 1/4" X 5" |
| 17 | 1 | FR31 | PIPE LIFTER,LH |
| 18 | 1 | FR32 | PIPE LIFTER,RH |
| 19 | 1 | FR39 | PIPE STABILIZER,LH |
| 20 | 1 | FR40 | PIPE STABILIZER,RH |

FIGURE 8
RIGHT & LEFT BACK RAKE BEAMS

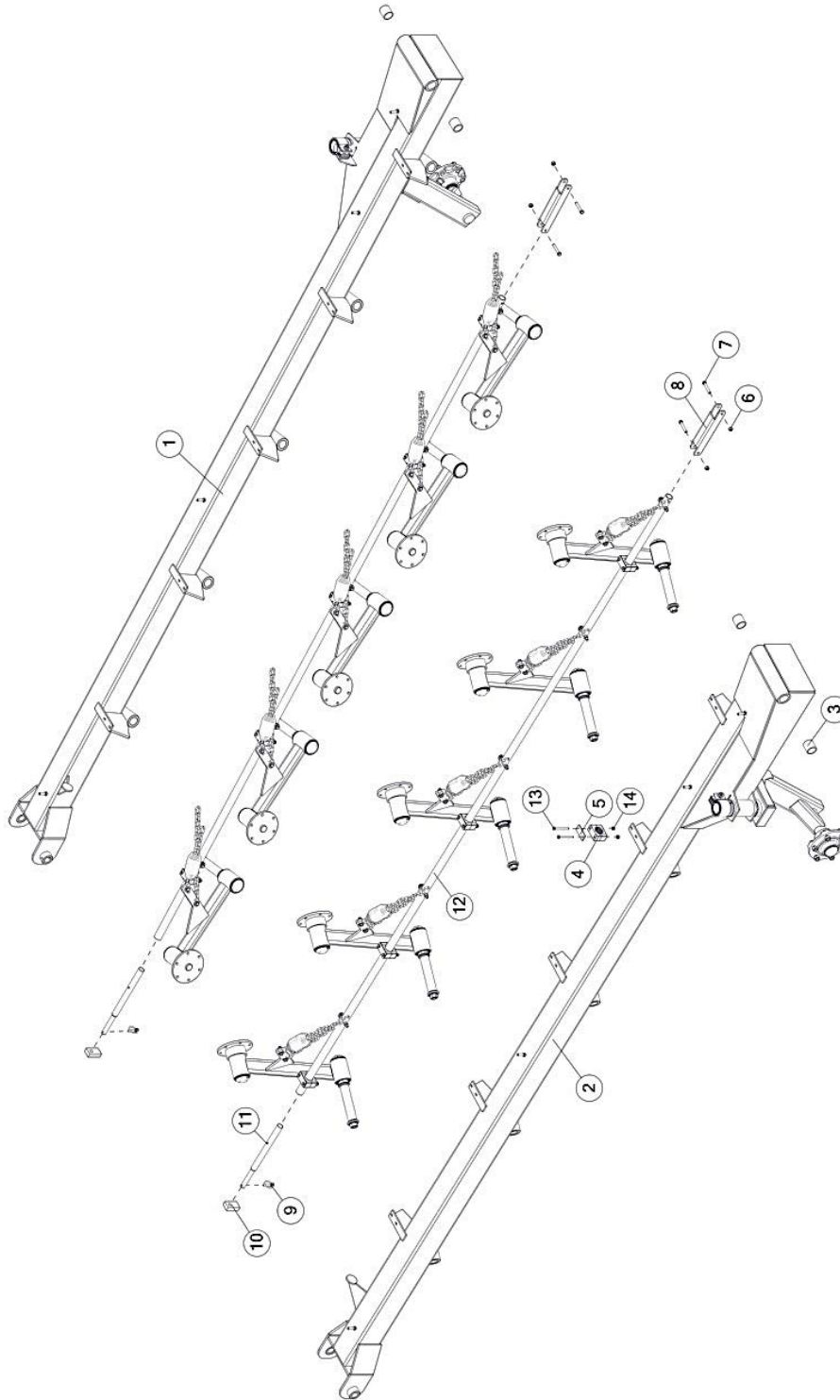


FIGURE 8

RIGHT & LEFT BACK RAKE BEAMS

| <u>ITEM</u> | <u>QTY</u> | <u>PART #</u> | <u>DESCRIPTION</u> |
|-------------|------------|---------------|--|
| 1 | 1 | 72448 | ASSY, BEAM, BACK LEFT |
| 2 | 1 | 72463 | ASSY, BEAM, BACK RIGHT |
| 3 | 4 | FR83 | IRON BUSHING, 1.511"ID X 1-3/4"OD X 1-3/4" |
| 4 | 8 | 69113 | 1-1/2" TUBE - HOSE CLAMP CUSHION |
| 5 | 8 | 56566 | CLAMP TOP PLATE |
| 6 | 4 | YNTL12005 | HEX NUT, TOP LOCK, 3/8-16 |
| 7 | 4 | YBHH12105 | BOLT, 3/8 X 2-1/4 GR 5 FULL THREAD |
| 8 | 2 | 58392 | PIPE LINKAGE |
| 9 | 2 | YPLY08011 | LYNCH PIN, 1/4 X 1-9/16 |
| 10 | 2 | 64103 | RAKE PRESSURE HANDLE |
| 11 | 2 | BFR486 | ASSY, RAKE ARM LOCK-UP SHAFT |
| 12 | 2 | 68848 | PIPE, RND, STR, 1.05 X 0.133 X 152.5, SCH 40 |
| 13 | 16 | YBHH08085 | BOLT, 1/4 X 3 GR 5 |
| 14 | 16 | YNFG08005 | HEX NUT, FLANGED, TOP LOCK, 1/4-20, |

FIGURE 9

U-JOINT ASSEMBLY

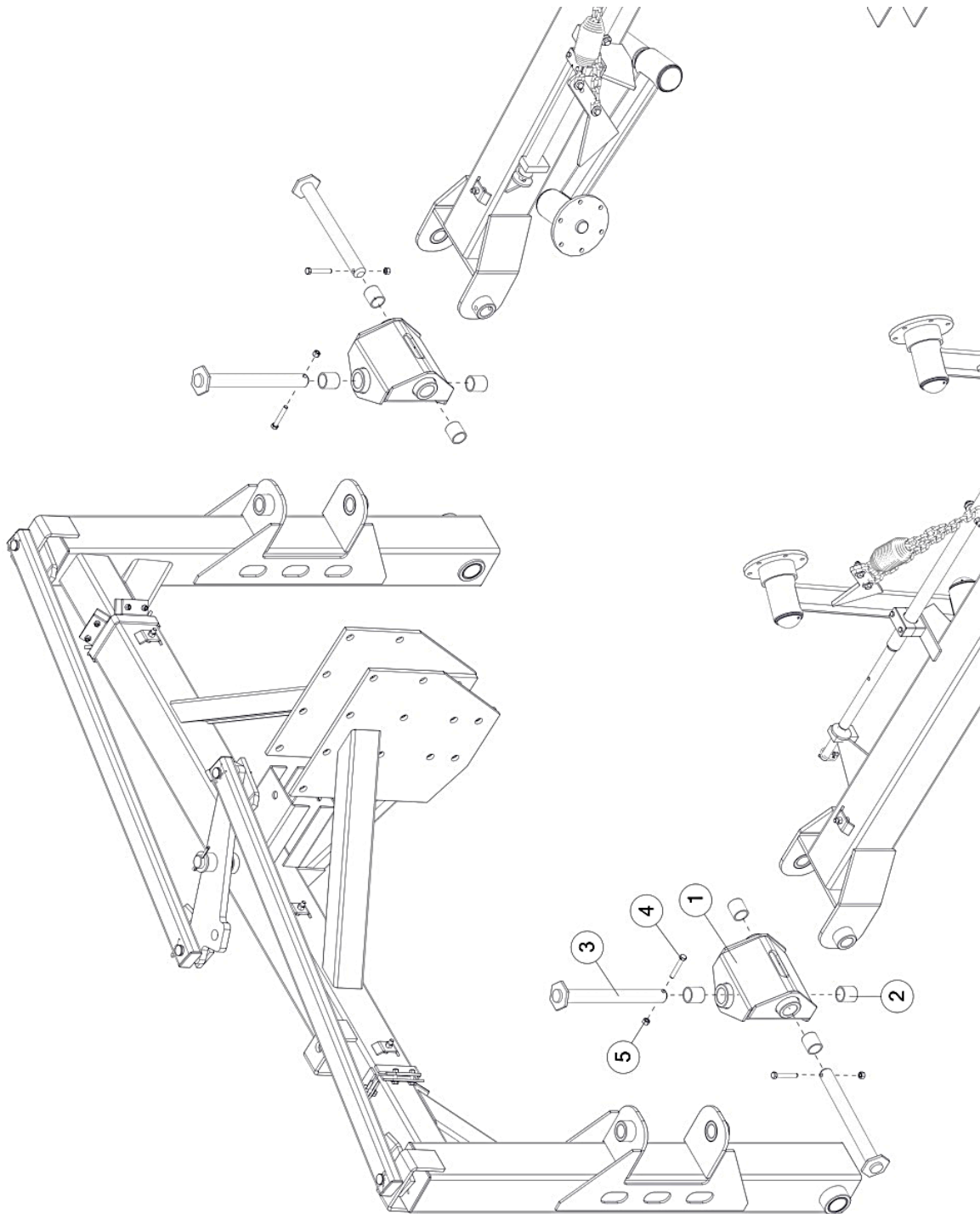


FIGURE 9 U-JOINT ASSEMBLY

| <u>ITEM</u> | <u>QTY</u> | <u>PART #</u> | <u>DESCRIPTION</u> |
|-------------|------------|---------------|----------------------------------|
| 1 | 2 | 72443 | WLDMT, BEAM, U JOINT |
| 2 | 8 | RG132 | BUSHING 1-1/2"OD X 1.260"ID X 2" |
| 3 | 4 | 67217 | U JOINT PIN |
| 4 | 4 | YBHH12090 | BOLT, 3/8 X 2-1/2 GR 5 |
| 5 | 4 | YNL12005 | HEX NUT, TOP LOCK, 3/8-16 |

FIGURE 10

RAKE WHEEL ASSEMBLY

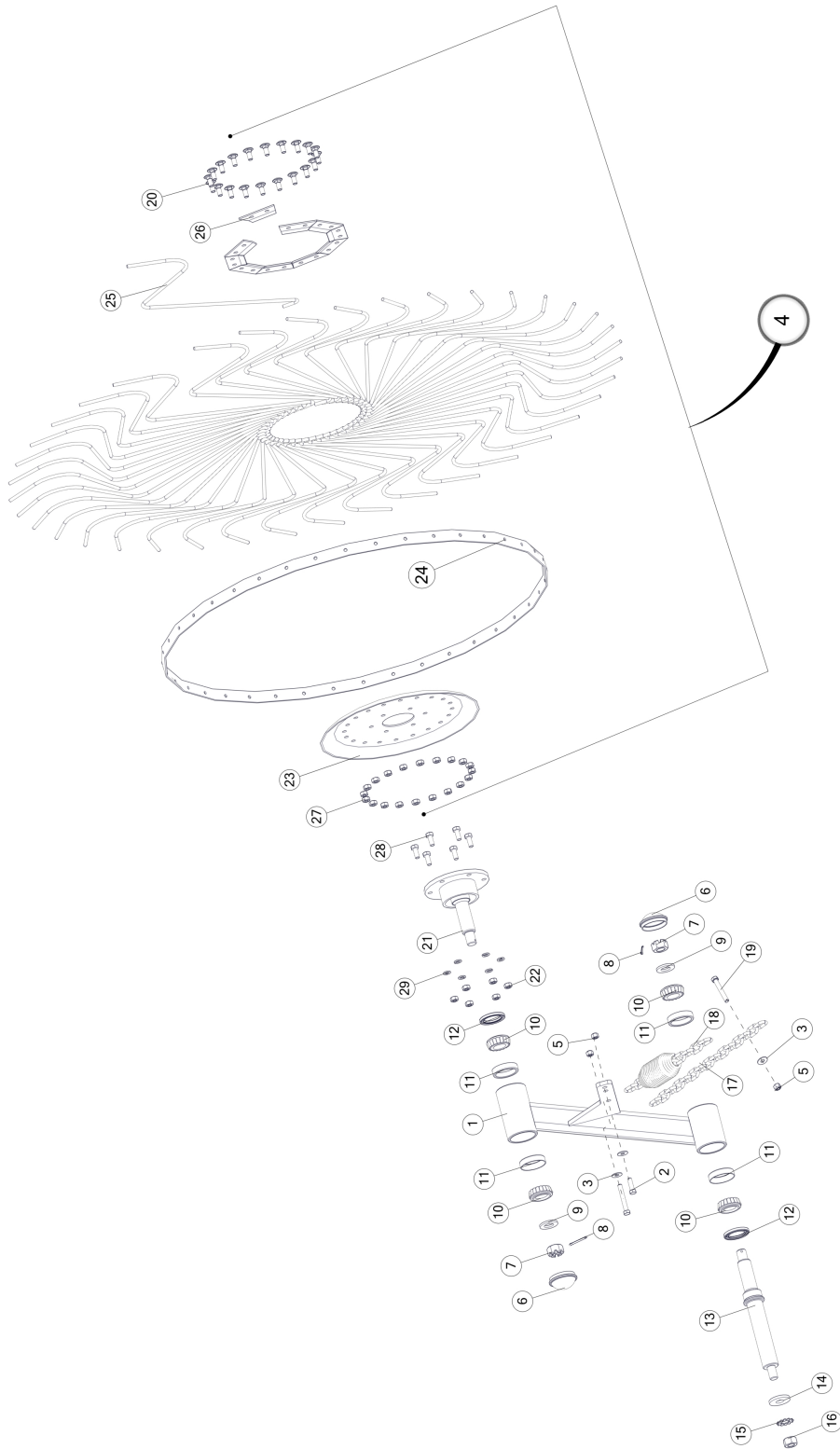


FIGURE 10

RAKE WHEEL ASSEMBLY

| <u>ITEM</u> | <u>QTY</u> | <u>PART #</u> | <u>DESCRIPTION</u> |
|-------------|------------|---------------|---|
| 1 | 8 | FR6 | ASSY, RH RAKE ARM |
| * | 8 | FR7 | ASSY, LH RAKE ARM |
| 2 | 32 | YBHH12035 | BOLT, 3/8"-16 X 1-1/4" GR. 5 |
| 3 | 48 | YWFL12005 | WASHER, FLAT, 3/8 USS |
| 4 | 8 | FR70 | 60" RIGHT HAND RAKE WHEEL |
| * | 8 | FR69 | 60" LEFT HAND RAKE WHEEL |
| 5 | 48 | YNTL12005 | HEX NUT, TOP LOCK, 3/8" - 16 |
| 6 | 32 | 17G144 | HUB CAP |
| 7 | 32 | YNSL28005 | HEX NUT, SLOTTED, 7/8" - 16 |
| 8 | 32 | YPCT05010 | COTTER PIN, 5/32" X 1-1/2" |
| 9 | 32 | HD121 | 7/8"ID X 1-3/4"OD WASHER |
| 10 | 64 | HD122 | 15125 CONE PEER BEARING |
| 11 | 64 | 58714 | RACE |
| 12 | 32 | HD124 | SEAL |
| 13 | 16 | FR54 | FRONT PIVOT SPINDLE |
| 14 | 16 | HD157 | PIVOT WASHER |
| 15 | 16 | YWSI24005 | WASHER, LOCK, STAR, INTERNAL/EXTERNAL, 3/4" |
| 16 | 16 | YNHX24004 | HEX NUT, 3/4" - 10 GR. 5 |
| 17 | 16 | FR58 | CHAIN - 15 LINKS |
| 18 | 16 | 8771 | RAKE WHEEL SPRING |
| 19 | 16 | YBHH12110 | BOLT, 3/8" X 2-3/4" GR. 5 |
| 20 | 320 | YBCR76005 | CARR. BOLT, 10MM X 25MM |
| 21 | 16 | FR24 | RAKE WHEEL HUB |
| 22 | 96 | YNHX76015 | HEX NUT, M10-1.5 |
| 23 | 16 | FR71 | RAKE WHEEL CENTER |
| 24 | 16 | FR72 | RAKE WHEEL OUTER RING |
| 25 | 640 | FR73 | RAKE WHEEL TOOTH |
| 26 | 320 | FR74 | RAKE TOOTH CLIP |
| 27 | 320 | YNLC76005 | NUT, LOCK, 10 MM |
| 28 | 96 | YBHH76015 | BOLT, HEX, M10-1.5 X 25, 10.9, ZC |
| 29 | 96 | YWLO76015 | WASHER, LOCK, M10 |

NOTE: * MEANS NOT SHOWN

FIGURE 11
HYDRAULICS

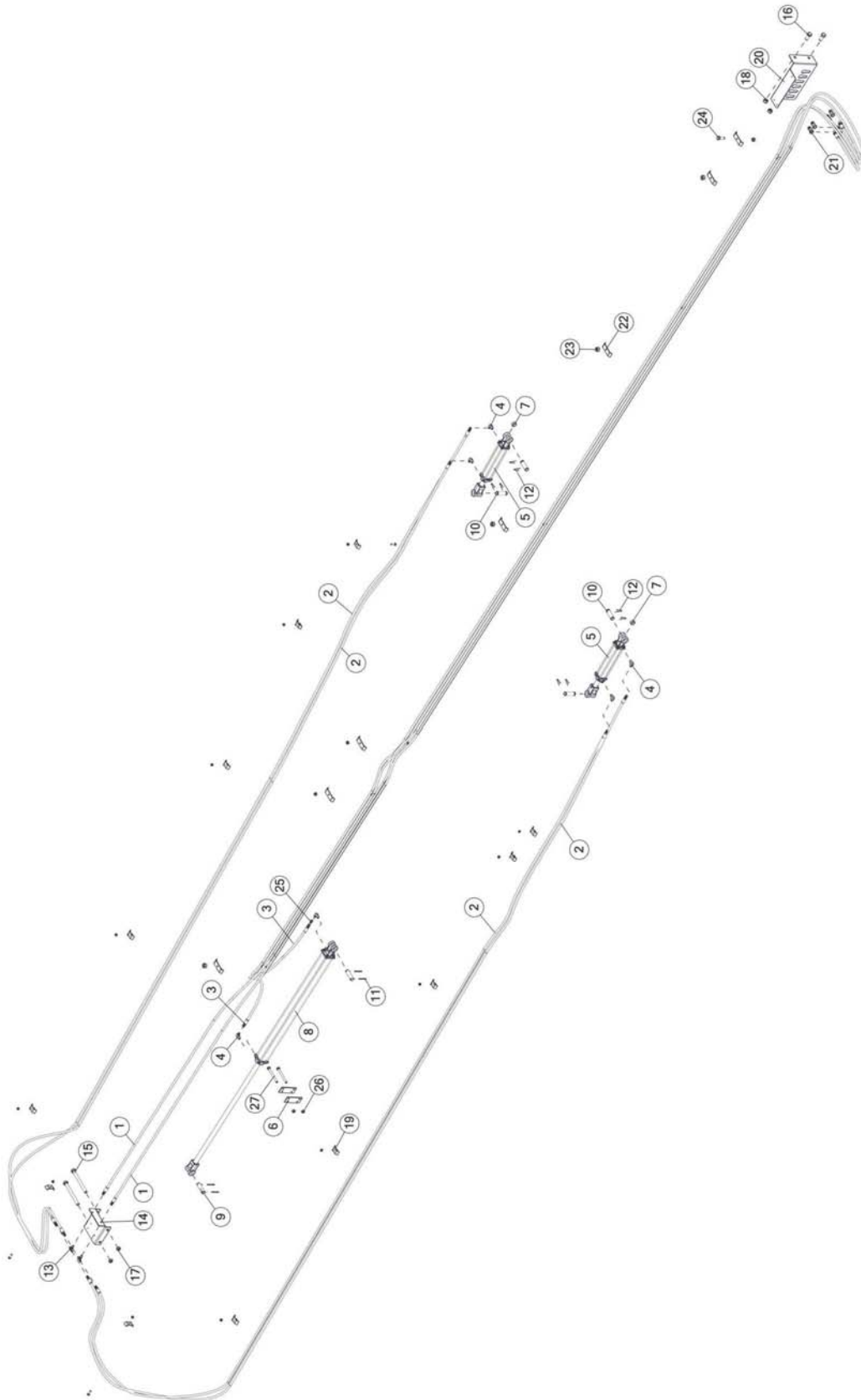


FIGURE 11

HYDRAULICS

| <u>ITEM</u> | <u>QTY</u> | <u>PART #</u> | <u>DESCRIPTION</u> |
|-------------|------------|---------------|--|
| 1 | 2 | 71768 | HYD HOSE ASSY, 6 X 451, 6 FEMALE JIC, 8 MALE ORB |
| 2 | 4 | 71771 | HYD HOSE ASSY, 6 X 336, 6 FEMALE JIC, 6 FEMALE JIC |
| 3 | 2 | 71769 | HYD HOSE ASSY, 6 X 396, 6 FEMALE JIC, 8 MALE ORB |
| 4 | 6 | CHM268 | ELBOW (6 C50X-S) |
| 5 | 2 | 66933 | 2.0" X 10" HYDRAULIC CYLINDER (3000 PSI), WITH ORB PORTS |
| 6 | 2 | 58692 | SPACER, CYL. |
| 7 | 2 | 58374 | SPACER |
| 8 | 1 | 71386 | 2.5" X 40" CYLINDER (3000 PSI), WITH ORB PORTS |
| 9 | 2 | BFR634 | CYLINDER PIN |
| 10 | 4 | T143 | HYDRAULIC CYLINDER PIN |
| 11 | 4 | YPCT06020 | COTTER PIN, 3/16" X 2" |
| 12 | 8 | 53371 | CYLINDER PIN |
| 13 | 2 | 8005 | 06 BULKHEAD TEE FITTING |
| 14 | 1 | 58411 | HYDRAULIC MOUNT |
| 15 | 2 | YBHH24115 | BOLT, 3/4" X 8-1/2" GR. 5 |
| 16 | 2 | YBHH24014 | BOLT, 3/4" - 10 X 1-3/4" GR. 5 |
| 17 | 2 | YNHX24004 | HEX NUT, 3/4" - 10 GR. 5 |
| 18 | 2 | YNL24005 | HEX NUT, TOP LOCK, 3/4" - 10 |
| 19 | 12 | 23N67 | FRONT HOSE BRACKET |
| 20 | 1 | 60269 | HOSE HOLDER |
| 21 | 4 | 67148 | FTG, ST, 8ORB, QUICK COUPLER TIP |
| 22 | 6 | 58448 | HOSE BRACKET |
| 23 | 15 | YNL12005 | HEX NUT, TOP LOCK, 3/8" - 16 |
| 24 | 1 | YBHH20020 | BOLT, 3/8" - 16 X 1-1/2" GR. 5 |
| 25 | 1 | 58143 | FITTING 6 XHX7-S .047 ORIFICE |
| 26 | 2 | YNRL16005 | HEX NUT, REVERSIBLE-SIDE LOCK, 1/2" - 13 |
| 27 | 2 | YBHH16160 | BOLT, 1/2" X 5-1/2" GR.5 |
| * | * | 58687 | SEAL KIT |

FIGURE 12

LIFT CYLINDER

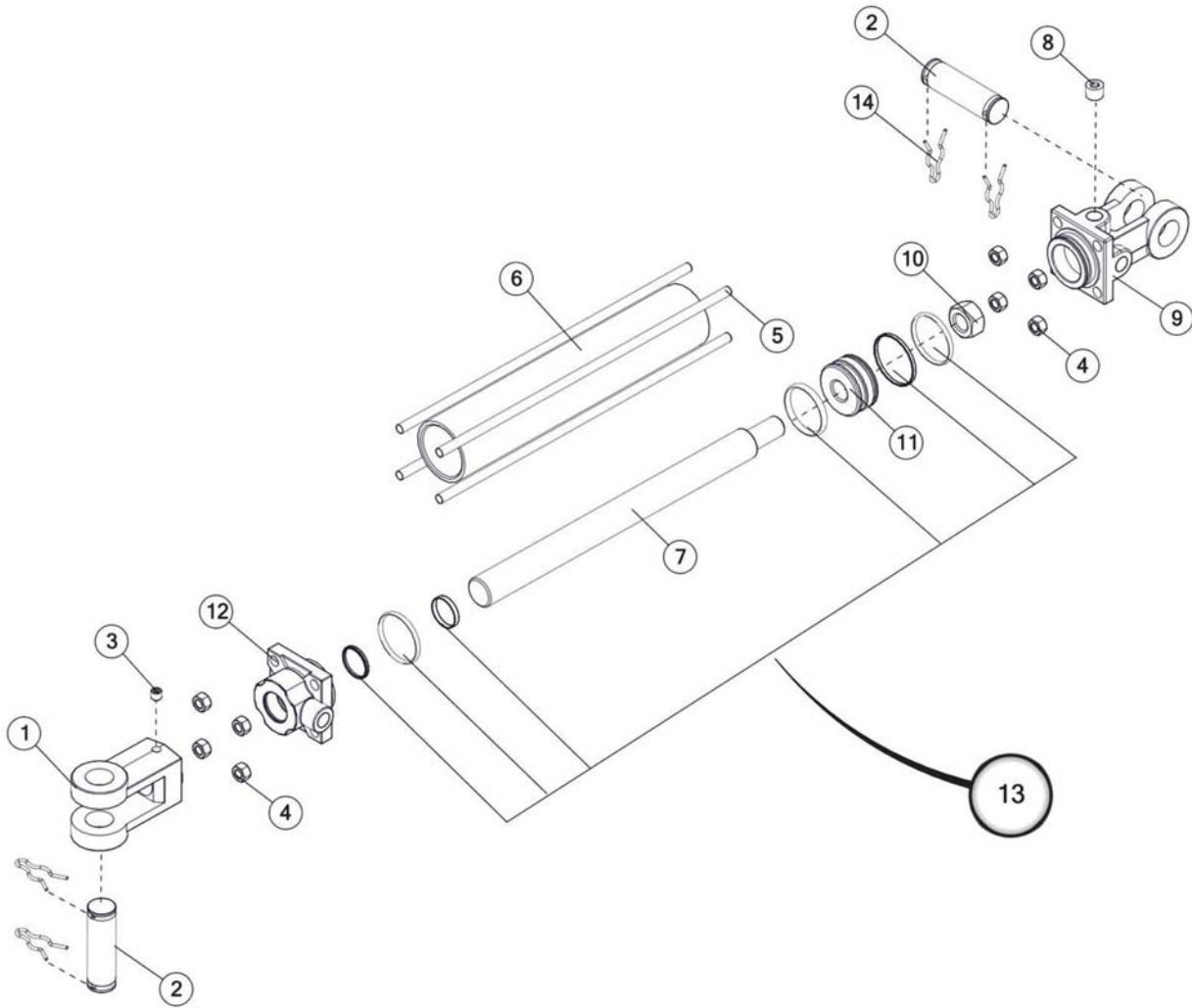


FIGURE 12

LIFT CYLINDER

| <u>ITEM</u> | <u>QTY</u> | <u>PART #</u> | <u>DESCRIPTION</u> |
|-------------|------------|---------------|--|
| 1 | 1 | 23N150A | ROD CLEVIS |
| 2 | 2 | T143 | HYDRAULIC CYLINDER PIN |
| 3 | 1 | YSSO12015 | SET SCREW, SOCKET, 3/8-24 X 3/8 |
| 4 | 8 | YNHX12006 | HEX NUT, 3/8-24 |
| 5 | 4 | 16SV170 | TIE ROD |
| 6 | 1 | 16SV169 | CYLINDER TUBE |
| 7 | 1 | 16SV168A | CYLINDER ROD FOR 2" X 10" CYLINDER |
| 8 | 1 | SD270 | HOLLOW HEX PLUG 6 |
| 9 | 1 | 23N142A | CLEVIS CAP FOR 2" CYLINDER |
| 10 | 1 | 23N148 | PISTON NUT |
| 11 | 1 | 56180 | PISTON FOR 2" CYLINDER |
| 12 | 1 | 56174 | ROD CAP FOR 2" CYLINDERS |
| 13 | 1 | 56187 | SEAL KIT FOR 2" CYLINDER |
| 14 | 1 | 53371 | CYLINDER PIN |
| * | 1 | 66933 | 2.0" X 10" HYDRAULIC CYLINDER (3000 PSI), WITH ORB PORTS |

NOTE: * MEANS NOT SHOWN

FIGURE 13
OPTIONAL HYDRAULIC REAR OPENING CYLINDER

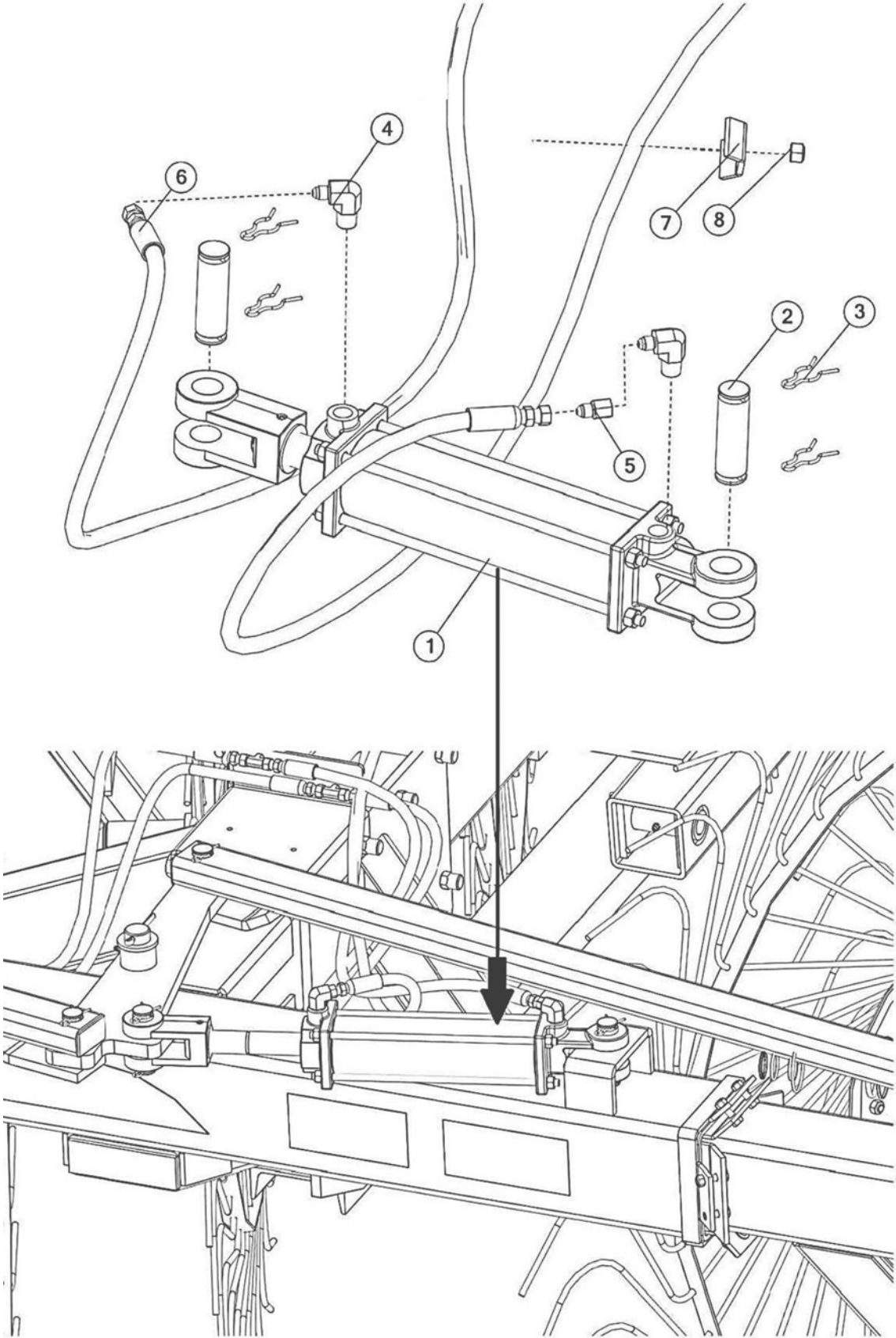


FIGURE 13

OPTIONAL HYDRAULIC REAR OPENING CYLINDER

| <u>ITEM</u> | <u>QTY</u> | <u>PART #</u> | <u>DESCRIPTION</u> |
|-------------|------------|---------------|--|
| 1 | 1 | 71743 | 2.5" X 8" CYLINDER (3000 PSI), WITH ORB PORTS |
| 2 | 2 | T143 | HYDRAULIC CYLINDER PIN |
| 3 | 4 | YPHR02020 | HAIR PIN, #23-10 |
| 4 | 2 | CHM268 | ELBOW (6 C50X-S) |
| 5 | 1 | 58142 | FITTING 6 XHX7-S .031 ORIFICE |
| 6 | 2 | 71760 | HYD HOSE ASSY, 6 X 505, 6 FEMALE JIC, 8 MALE ORB |
| 7 | 1 | 23N67 | FRONT HOSE BRACKET |
| 8 | 1 | YNTL12005 | HEX NUT, TOP LOCK, 3/8" - 16 |
| * | 1 | 56188 | SEAL KIT FOR 2.5" CYLINDER |
| * | 2 | 67148 | FTG, ST, 8ORB, QUICK COUPLER TIP |

NOTE: * MEANS NOT SHOWN

FIGURE 14

OPTIONAL TANDEM AXLE

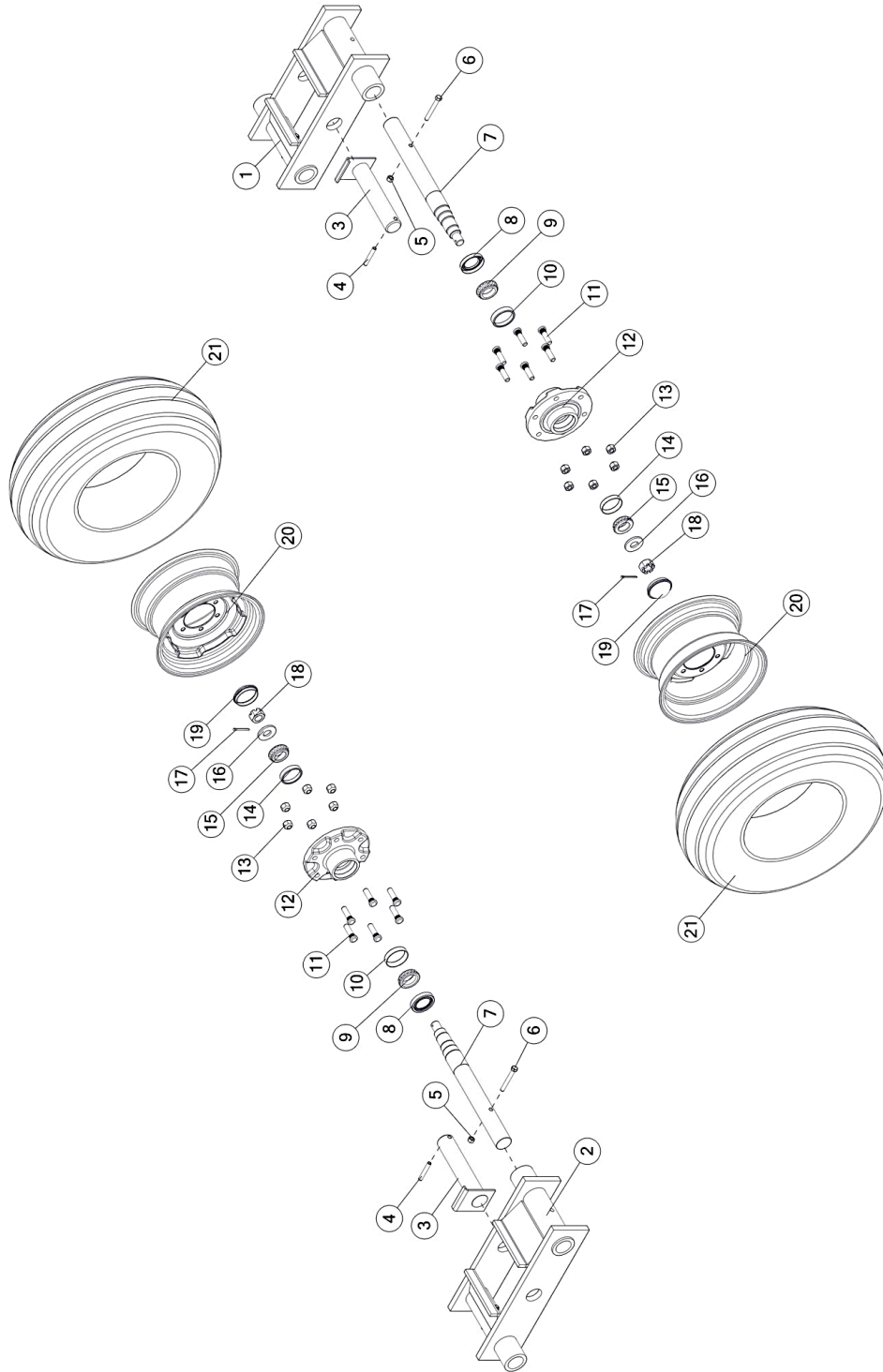


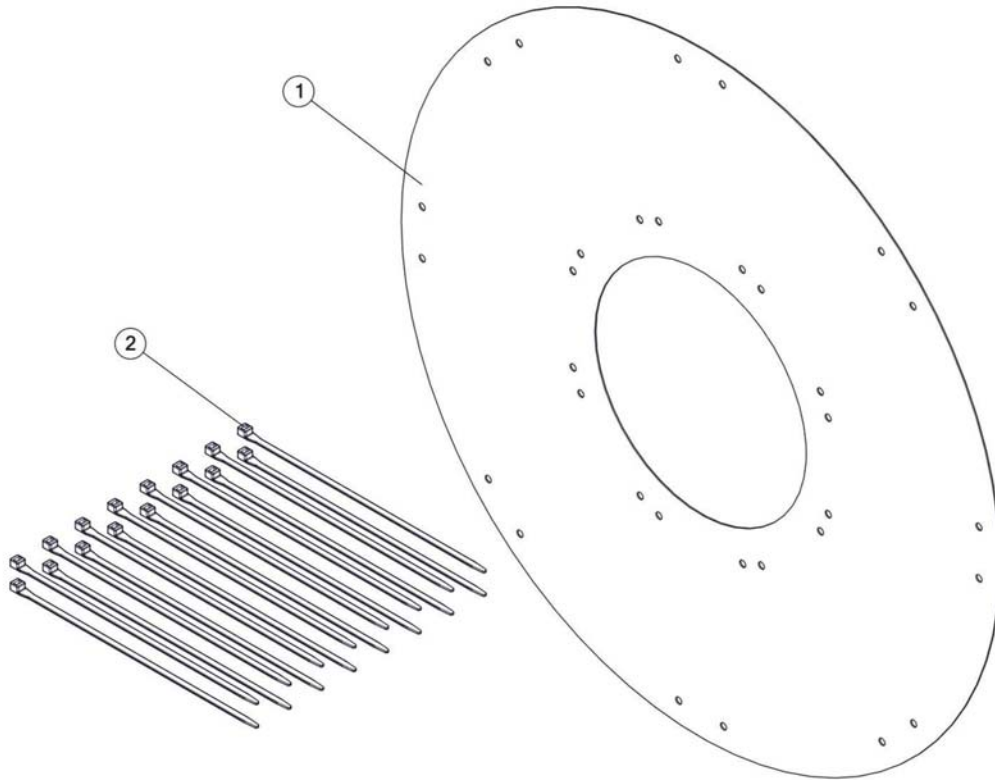
FIGURE 14

OPTIONAL TANDEM AXLE

| <u>ITEM</u> | <u>QTY</u> | <u>PART #</u> | <u>DESCRIPTION</u> |
|-------------|------------|---------------|-----------------------------------|
| 1 | 1 | 71736 | RIGHT TANDEM |
| 2 | 1 | 71739 | LEFT TANDEM |
| 3 | 2 | 58277 | AXLE PIVOT PIN |
| 4 | 2 | YPEX12022 | EXPANSION PIN, 3/8" X 2-3/8" |
| 5 | 4 | YNTL12005 | HEX NUT, TOP LOCK, 3/8" - 16 |
| 6 | 4 | YBHH12120 | BOLT, 3/8" X 3" GR. 5 |
| 7 | 2 | FR55 | BACK SPINDLE |
| 8 | 2 | 12N17 | SEAL |
| 9 | 2 | 12N18 | INNER BEARING |
| 10 | 2 | 12N19 | INNER RACE |
| 11 | 12 | YBSD16005 | STUD BOLT, 1/2" - 20 UNF X 1-7/8" |
| 12 | 2 | RG101 | 888 HUB CASTING |
| 13 | 12 | YNWL16005 | WHEEL NUT, 1/2" - 20 UNF |
| 14 | 2 | 17G146 | OUTER RACE |
| 15 | 2 | 17G145 | OUTER BEARING |
| 16 | 2 | HD200 | ROAD WHEEL SPINDLE WASHER |
| 17 | 2 | YPCT05010 | COTTER PIN, 5/32" X 1-1/2" |
| 18 | 2 | YNSL28005 | HEX NUT, SLOTTED, 7/8" - 14 |
| 19 | 2 | 17G144 | HUB CAP |
| 20 | 2 | RG127 | WHEEL 15 X 6, 6 BOLT |
| 21 | 2 | UR1 | 9.5L X 15 8 PLY TIRE & TUBE |
| * | 2 | 53854 | COMPLETE WHEEL & TIRE ASSEMBLY |

NOTE: * MEANS NOT SHOWN

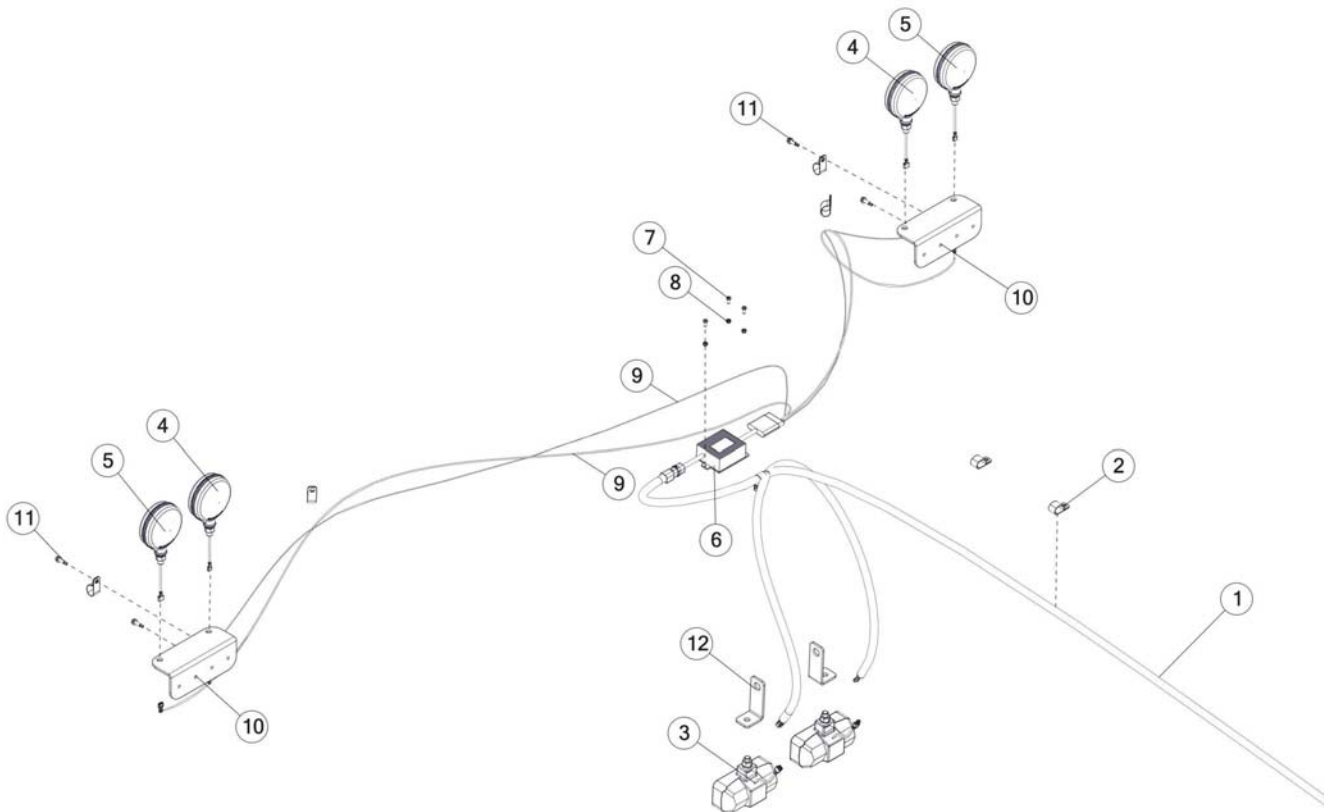
FIGURE 15
WIND GUARD



| <u>ITEM</u> | <u>QTY</u> | <u>PART #</u> | <u>DESCRIPTION</u> |
|--------------------|-------------------|----------------------|-------------------------------------|
| 1 | 1 | 59039 | POLY WIND GAURD, FOR 60" RAKE WHEEL |
| 2 | 16 | 57626 | 15 INCH 120# BLACK CABLE TIE |

FIGURE 16

OPTIONAL LIGHTING



| ITEM | QTY | PART # | DESCRIPTION |
|-------------|------------|---------------|---|
| 1 | 1 | 60537 | HARNES, MAIN |
| 2 | 8 | HGV72 | CUSHION WIRE CLAMP |
| 3 | 2 | DWM130 | FLOODLIGHT - WORKING LIGHT |
| 4 | 2 | BFR675 | RED LIGHT |
| 5 | 2 | DWM129 | YELLOW HAZARD THIN LIGHT 2-WAY |
| 6 | 1 | S441 | LIGHT MODULE |
| 7 | 3 | YSP64005 | MISC. PHILLIPS PAN HEAD TYPE, 10-32 X 1/2" |
| 8 | 3 | YNNY62005 | 8-32, HEX NYLON INSERT LOCKNUT |
| 9 | 1 | FR2 | REAR RAKE HARNES |
| 10 | 2 | 67811 | REAR LIGHT BRACKET |
| 11 | 4 | YSDR08005 | SELF DRILLING SCREW, HEX WASHER HEAD, 1/4" - 14 X 1" (ZINC) |
| 12 | 2 | BFR675 | BRACKETS, LIGHTS |

FIGURE 17

OPTIONAL KICKER WHEEL

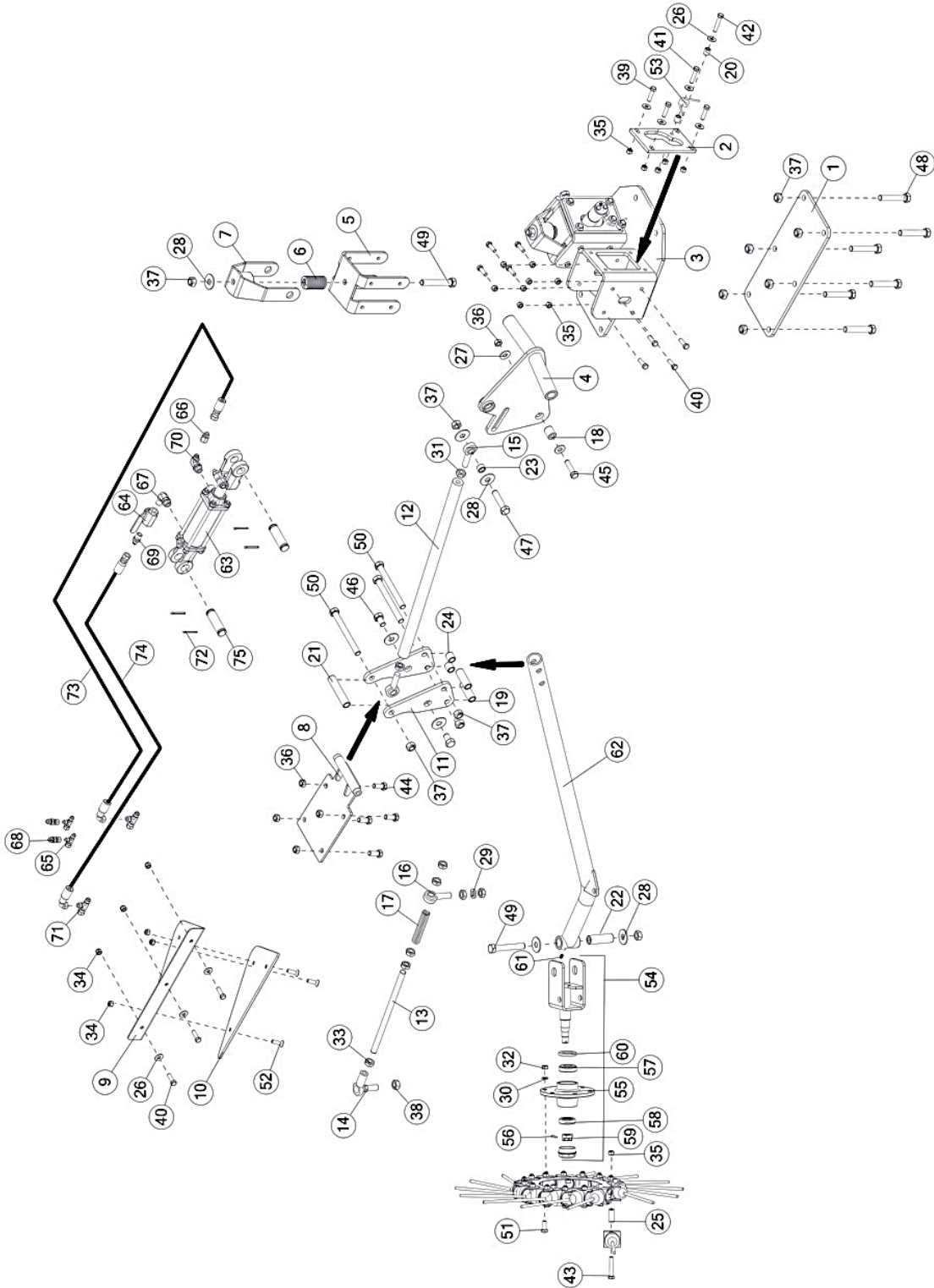


FIGURE 17

OPTIONAL KICKER WHEEL

| <u>ITEM</u> | <u>QTY</u> | <u>PART #</u> | <u>DESCRIPTION</u> |
|-------------|------------|---------------|--|
| 1 | 1 | 71496 | PLT, 17.3 X 7.35 X 0.38 |
| 2 | 2 | 71526 | PLT, 6.60 X 4.50 X 0.38 |
| 3 | 1 | 71486 | WLDMT, KICKER MAIN |
| 4 | 1 | 71495 | WLDMT, KICKER BELL |
| 5 | 2 | 71500 | BRKT, SPRING BASE |
| 6 | 2 | 71574 | SPRG, 3.00 X 1.80 X 1930, DIE |
| 7 | 2 | 71534 | WLDMT, SPRING YOKE |
| 8 | 1 | 71521 | WLDMT, PIVOT |
| 9 | 1 | 71185 | BRKT, KICKER DEFLECTOR |
| 10 | 1 | 71192 | PANEL, POLY 1/4, DEFLECTOR |
| 11 | 2 | 71522 | PLT, 8.38 X 4.25 X 0.38 |
| 12 | 1 | 71601 | TUBE, 1.25 X 0.75 X 26.7 |
| 13 | 1 | 71618 | ALLTHREAD, 5/8-18 X 12.5 |
| 14 | 1 | 71599 | BRG, BALL JOINT, 5/8-18 F |
| 15 | 1 | 71593 | BRG, 5/8 ROD END LH |
| 16 | 2 | 71594 | BRG, ROD END RH |
| 17 | 1 | 71296 | SPRG, 6.00 X 2.80 X 16.0 |
| 18 | 1 | 71487 | BSH, 1.00 X 0.52 X 1.15, ZC |
| 19 | 2 | 71548 | BSH, 0.88 X 0.66 X 2.53, STL |
| 20 | 2 | 71568 | TUBE, 0.63 X 0.12 X 0.70 |
| 21 | 1 | 71577 | BSH, 0.88 X 0.66 X 4.38, STL |
| 22 | 1 | 71584 | BSH, 1.00 X 0.63 X 3.00 |
| 23 | 1 | 71605 | BSH, 0.88 X 0.66 X 0.50, STL |
| 24 | 2 | 71536 | BSH, 0.88 X 0.66 X 0.88, STL |
| 25 | 1 | 70807 | TUBE, RND, STR, 0.63 X .12 X 1.39, DOM |
| 26 | 8 | YWFL12005 | WASHER, FLAT, 3/8 USS |
| 27 | 2 | YWFL16005 | WASHER, FLAT, 1/2 USS |
| 28 | 4 | YWFL20005 | WASHER, FLAT, 5/8 USS |
| 29 | 1 | YWLO20005 | WASHER, LOCK, 5/8 |
| 30 | 6 | YWLO76015 | WASHER, LOCK, M10 |
| 31 | 2 | YNJM20011 | NUT, HEX, 5/8-18, NA, G5, ZY, LH JAM |
| 32 | 6 | YNHX76015 | HEX NUT, M10-1.5 |
| 33 | 8 | YNJM20010 | HEX NUT, JAM, 5/8-18 |
| 34 | 6 | YNNY12005 | HEX NUT, NYLON LOCKNUT, 3/8 |
| 35 | 24 | YNTL12005 | HEX NUT, TOP LOCK, 3/8-16 |
| 36 | 5 | YNTL16005 | HEX NUT, TOP LOCK, 1/2-13 |
| 37 | 12 | YNTL20005 | HEX NUT, TOP LOCK, 5/8-11 |
| 38 | 1 | YNTL20006 | HEX NUT, TOP LOCK, 5/8-18 |
| 39 | 6 | YBHH12025 | BOLT, 3/8-16 X 1-1/2 GR 5 |
| 40 | 11 | YBHH12035 | BOLT, 3/8"-16 X 1-1/4" GR. 5 |

FIGURE 17

OPTIONAL KICKER WHEEL

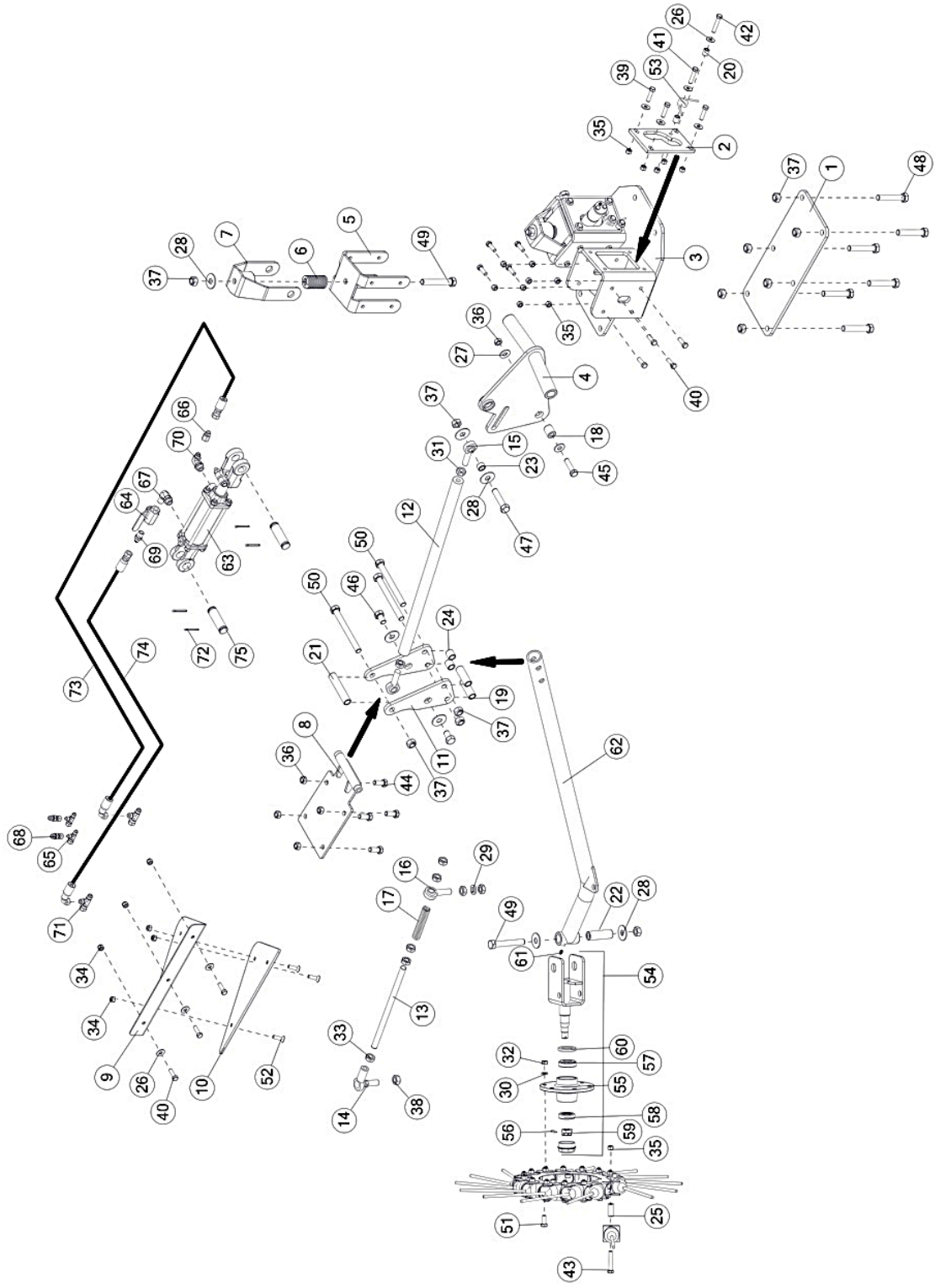


FIGURE 17

OPTIONAL KICKER WHEEL

| <u>ITEM</u> | <u>QTY</u> | <u>PART #</u> | <u>DESCRIPTION</u> |
|-------------|------------|---------------|---|
| 41 | 2 | YBHH12060 | BOLT, 3/8 X 1-3/4 GR 5 |
| 42 | 2 | YBHH12075 | BOLT, 3/8 X 2 GR 5 |
| 43 | 15 | YBHH12100 | BOLT, 3/8 X 2-1/4 GR 5 |
| 44 | 4 | YBHH16045 | BOLT, 1/2-13 X 1-1/4 GR 5 |
| 45 | 1 | YBHH16065 | BOLT, 1/2"-13 X 2" GR 5 |
| 46 | 2 | YBHH20005 | BOLT, 5/8-11 X 1 GR 5 |
| 47 | 1 | YBHH20045 | BOLT, 5/8-11 X 2-3/4 GR 5, ZINC |
| 48 | 6 | YBHH20055 | BOLT, 5/8-11 X 3-1/2, GR 5, ZINC |
| 49 | 2 | YBHH20065 | BOLT, 5/8-11 X 4 GR 5, ZINC |
| 50 | 3 | YBHH20103 | BOLT, 5/8-11 X 6-1/2 GR 5 |
| 51 | 6 | YBHH76015 | SCR, HHC, M10, 1.5, 25MM, 10.9, ZC |
| 52 | 3 | YSFS12005 | FLAT HEAD SOCKET CAP SCREW, 3/8 X 1-1/4 |
| 53 | 2 | 71570 | SPRG, TORS, 90° X 180° X 40 |
| 54 | 1 | 71581 | WLDMT, SPINDLE B |
| 55 | 1 | 1086 | HUB, RAKE WHEEL |
| 56 | 1 | 1088 | CLIP, RETAINING |
| 57 | 1 | 600012 | BRG, 2.05 X 0.75, TAPER, COMPLETE |
| 58 | 1 | 600014 | BRG, 1.85 X 0.75, TAPER, COMPLETE |
| 59 | 1 | T172 | NUT, HEX, 18MM - 1.5, CASTLE, G2, NF |
| 60 | 1 | T163 | SEAL, 2.05 X 1.25 X .25 |
| 61 | 1 | MS26 | 1/4" - 28, STRAIGHT STANDARD SHORT GREASE FITTING |
| 62 | 1 | 71529 | WLDMT, CENTER POLE |
| 63 | 1 | 70797 | CYL, HYD, 10.2 X 14.2 |
| * | 1 | 72160 | ASSEM, 2" CYL TIE ROD |
| * | 1 | 72161 | ASSEM, SEAL KIT |
| 64 | 1 | 16SV338 | VALVE, BALL, 3/8" |
| 65 | 2 | 58101 | FITTING 4 R6X-S |
| 66 | 1 | 58142 | FITTING 6 XHX7-S .031 ORIFICE |
| 67 | 1 | 70158 | FTG,90,3/4ORB,3/8NPT,STL |
| 68 | 2 | 71802 | FTG, ST, 6 MALE JIC, 4 FEMALE JIC, STL, EXPANDER |
| 69 | 1 | CHM202 | 3/8 MALE NPT TO -6 MALE JIC |
| 70 | 1 | CHM206 | 06 90 DEG TO 3/4-16 ORB FITTING |
| 71 | 2 | CHM242 | SWIVEL RUN TEE 6-R6X-S FITTING |
| 72 | 4 | YPCT05010 | COTTER PIN 5/32" X 1-1/2" |
| 73 | 1 | 71780 | HOSE ASSY, HYD, 6, 201, 6 JIC, 6 JIC |
| 74 | 1 | 71778 | HOSE ASSY, HYD, 6, 193, 6 JIC, 6 JIC |
| 75 | 2 | T143 | HYDRAULIC CYLINDER PIN |

NOTE: * MEANS NOT SHOWN

FIGURE 17

OPTIONAL KICKER WHEEL

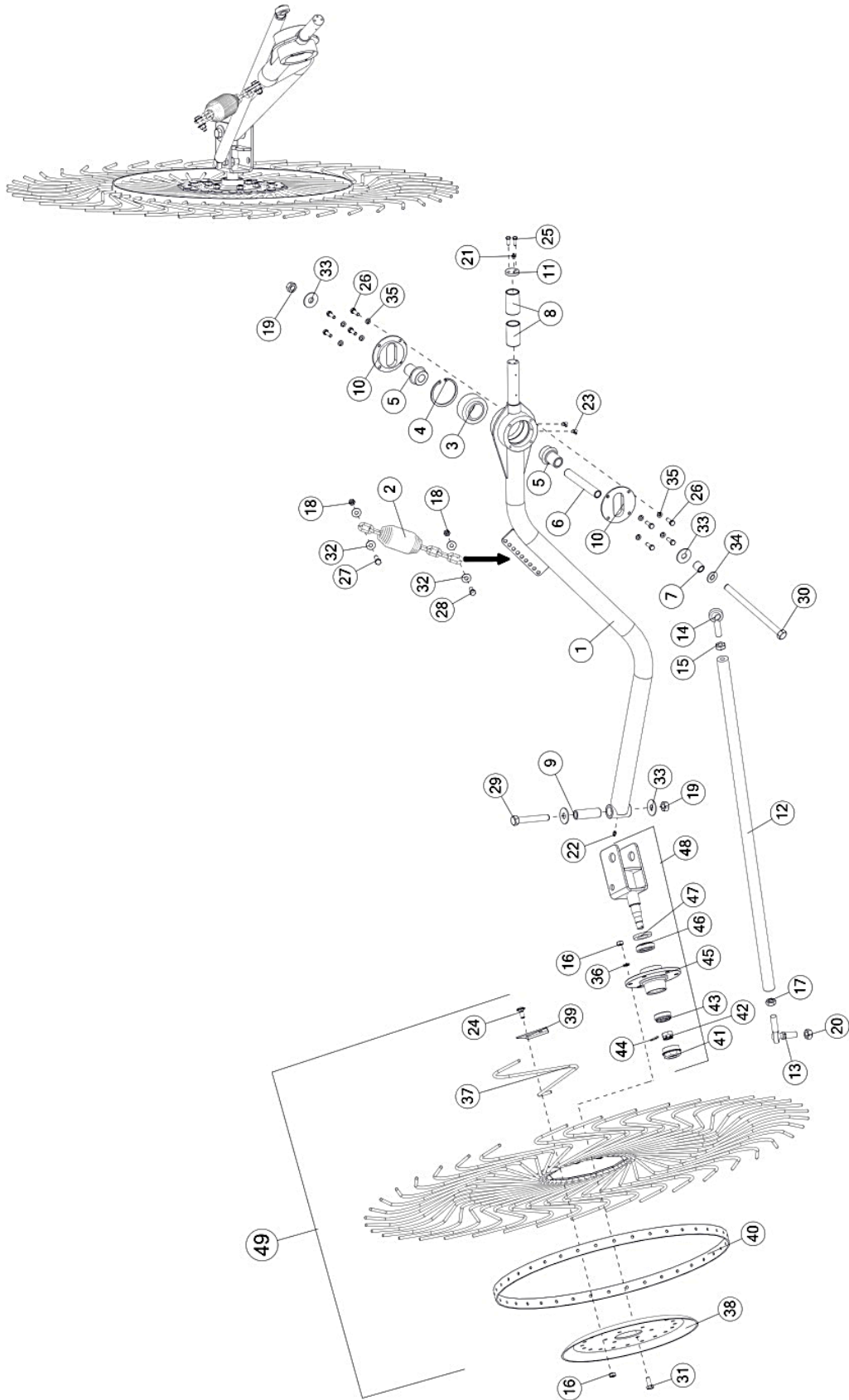


FIGURE 17

OPTIONAL KICKER WHEEL

| <u>ITEM</u> | <u>QTY</u> | <u>PART #</u> | <u>DESCRIPTION</u> |
|-------------|------------|---------------|--------------------------------------|
| 1 | 1 | 71558 | WLDMT, RIGHT POLE. |
| * | 1 | 71560 | WLDMT, LEFT POLE |
| 2 | 2 | 8771 | RAKE WHEEL SPRING |
| 3 | 2 | 71553 | BRG, 3.125 X 1.75 X 1.56 |
| 4 | 2 | 71608 | SNAP RING |
| 5 | 2 | 71550 | BSH, 2.08 X 0.89 X 2.44, STL |
| 6 | 2 | 71535 | BSH, .875 X .635 X 6.30 |
| 7 | 2 | 71536 | BSH, 0.88 X 0.66 X 0.88, STL |
| 8 | 4 | 71563 | BSH, 1.50 X 1.25 X 2.47 |
| 9 | 2 | 71584 | BSH, 1.00 X 0.63 X 3.00 |
| 10 | 4 | 71562 | PLT 4.25 X 0.50 |
| 11 | 2 | 71993 | PLT, 1.50 X 1.50 X 0.25, KEEPER |
| 12 | 2 | 71600 | SHAFT, 1.25 X 43.0, TIE ROD |
| 13 | 2 | 71598 | BRG, BALL JOINT 5/8 -18 M |
| 14 | 2 | 71593 | BRG, 5/8 ROD END LH |
| 15 | 2 | YNJM20011 | NUT, HEX, 5/8-18, NA, G5, ZY, LH JAM |
| 16 | 52 | YNHX76015 | HEX NUT, M10-1.5 |
| 17 | 2 | YNJM20010 | HEX NUT, JAM, 5/8-18 |
| 18 | 4 | YNTL12005 | HEX NUT, TOP LOCK, 3/8-16 HEX |
| 19 | 4 | YNTL20005 | NUT, TOP LOCK, 5/8-11 HEX NUT, |
| 20 | 2 | YNTL20006 | TOP LOCK,5/8-18 |

NOTE: * MEANS NOT SHOWN

FIGURE 17

OPTIONAL KICKER WHEEL

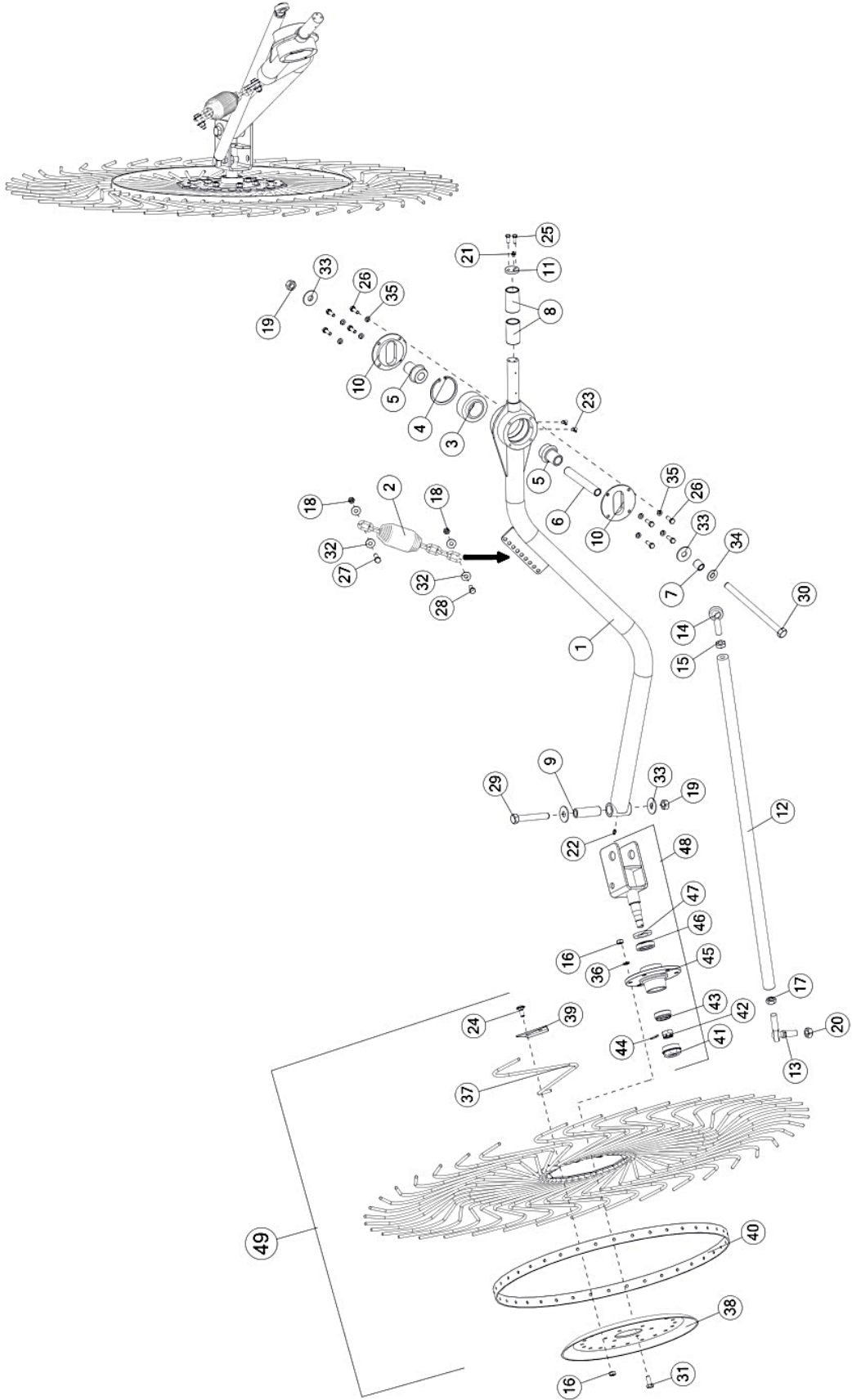


FIGURE 17

OPTIONAL KICKER WHEEL

| <u>ITEM</u> | <u>QTY</u> | <u>PART #</u> | <u>DESCRIPTION</u> |
|-------------|------------|---------------|---|
| 21 | 2 | G89 | ZERK, 1/4"-28 STRAIGHT |
| 22 | 2 | MS26 | 1/4" - 28, STRAIGHT STANDARD SHORT GREASE FITTING |
| 23 | 4 | RG51 | ZERK, 90 DEGREE 1/4"-28 # B1911 |
| 24 | 20 | YBCR76005 | CARR. BOLT, 10MM X 25MM |
| 25 | 4 | YBHH08102 | HBOLT 0.2500-28X0.750 GR8 |
| 26 | 16 | YBHH10010 | BOLT, 5/16-18 X 1 GR 5 |
| 27 | 2 | YBHH12025 | BOLT, 3/8-16 X 1-1/2 GR 5 |
| 28 | 2 | YBHH12035 | BOLT, 3/8"-16 X 1-1/4" GR. 5 |
| 29 | 2 | YBHH20065 | BOLT, 5/8-11 X 4 GR 5, ZINC |
| 30 | 2 | YBHH20120 | BOLT, 5/8-11 X 9" GR 5 |
| 31 | 12 | YBHH76015 | BOLT, M10-1.5 (25MM) |
| 32 | 4 | YWFL12005 | WASHER, FLAT, 3/8 USS |
| 33 | 8 | YWFL20005 | WASHER, FLAT, 5/8 USS |
| 34 | 2 | YWFL20010 | WASHER, FLAT, 5/8" SAE GR. 8 (YELLOW ZINC) |
| 35 | 16 | YWLO10005 | WASHER, LOCK, 5/16 |
| 36 | 12 | YWLO76015 | WASHER, LOCK, M10 |
| 37 | 80 | 10WR42 | RAKE WHEEL TOOTH, 49" , BLACK |
| 38 | 2 | FR71 | RAKE WHEEL CENTER |
| 39 | 10 | FR74 | RAKE TOOTH CLIP |
| 40 | 2 | T177A | RAKE WHEEL OUTER RING |
| 41 | 2 | T173 | CAP, HUB, RAKE WHEEL |
| 42 | 2 | T172 | NUT, HEX, 18MM - 1.5, CASTLE, G2, NF |
| 43 | 2 | 600014 | BRG, 1.85 X 0.75, TAPER, COMPLETE |
| 44 | 2 | 1088 | CLIP, RETAINING |
| 45 | 2 | 1086 | HUB, RAKE WHEEL |
| 46 | 2 | 600012 | BRG, 2.05 X 0.75, TAPER, COMPLETE |
| 47 | 2 | T163 | SEAL, 2.05 X 1.25 X .25 |
| 48 | 2 | 71580 | WLDMT, SPINDLE A |
| 49 | 1 | 10WR17 | LH RAKE WHEEL, 49" DIAMETER, BLACK |
| * | 1 | 71622 | 49" RAKE WHEEL RH |

NOTE: * MEANS NOT SHOWN

FIGURE 18 OPTIONAL BUMPER KIT

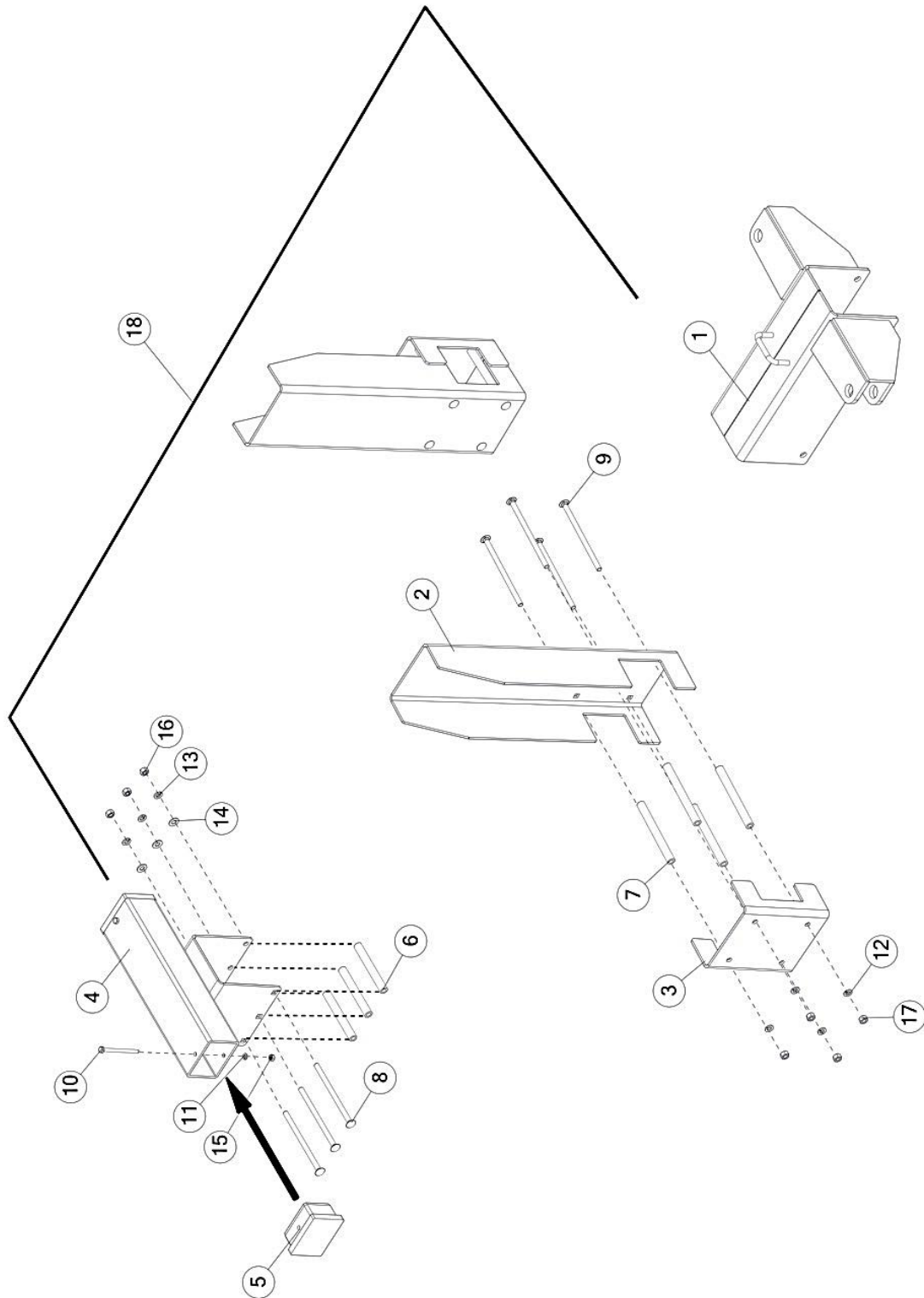


FIGURE 18

OPTIONAL BUMPER KIT

| <u>ITEM</u> | <u>QTY</u> | <u>PART #</u> | <u>DESCRIPTION</u> |
|-------------|------------|---------------|--|
| 1 | 1 | 76197 | WLDMT, FRAME, FRONT LINKAGE SLIDER |
| 2 | 2 | 75574 | PLT, 0.19X24X14, RAKE ARM BUMPER |
| 3 | 2 | 75575 | PLT, .19X12.4X8.1, RAKE BUMPER BACK |
| 4 | 1 | 76490 | WLDMT, BUMPER |
| 5 | 2 | 75763 | PLUG, UHMW, 3 X 4 X 2, BLACK |
| 6 | 3 | 75580 | TUBE, .63X.38, SPACER |
| 7 | 8 | 75576 | TUBE, .63X.38X6.1, SPACER |
| 8 | 3 | YBCR12123 | BOLT, CARR, 3/8-16 X 6-1/2, G5, ZC |
| 9 | 8 | YBCR12130 | BOLT, CARR, 3/8-16 X 7.00, G2, ZC |
| 10 | 2 | YBHH08092 | BOLT, HEX, 1/4-20 X 3-1/2, G5, ZC |
| 11 | 2 | YWLO08005 | WASHER, LOCK, 1/4, ZINC |
| 12 | 11 | YWLO12005 | WASHER, LOCK, 3/8 |
| 13 | 3 | YWFL12010 | WASHER, FLAT, 3/8 SAE, GR 8, YELLOW ZINC |
| 14 | 2 | YNHX08007 | NUT, HEX, 1/4-20, NA, G5, ZC |
| 15 | 11 | YNHX12005 | NUT, HEX, 3/8-16, NA, A, ZC |
| 16 | 1 | 76464 | BUMPER KIT ASSEMBLY |

FIGURE 19
OPTIONAL 2-POINT HITCH

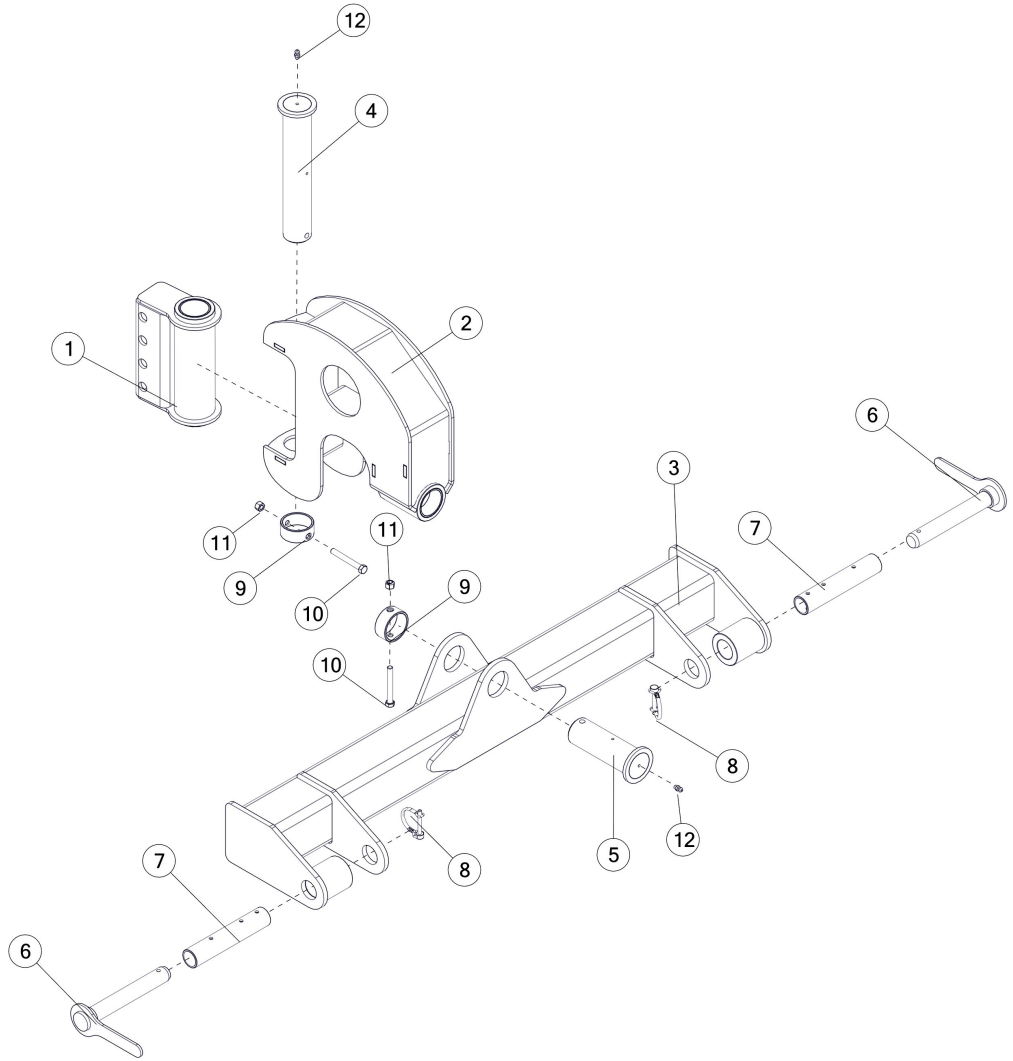
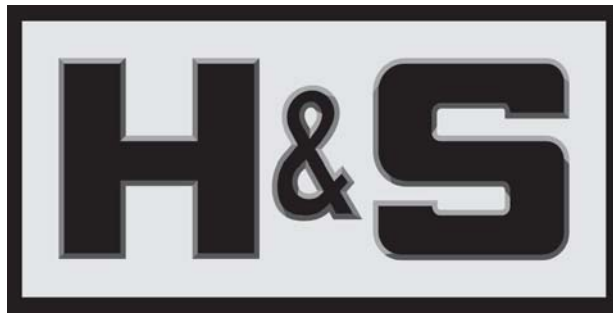


FIGURE 19
OPTIONAL 2-POINT HITCH

| <u>ITEM</u> | <u>QTY</u> | <u>PART #</u> | <u>DESCRIPTION</u> |
|--------------------|-------------------|----------------------|-----------------------------------|
| 1 | 1 | 78515 | HINGING HITCH MOUNT |
| 2 | 1 | 78564 | PIVOT ASSY, HITCH |
| 3 | 1 | 78531 | TWO POINT HITCH |
| 4 | 1 | 78556 | PIVOT PIN, HITCH |
| 5 | 1 | 78560 | PIVOT PIN, HITCH |
| 6 | 2 | PTMWE65 | HITCH PIN |
| 7 | 2 | PTMTU56 | CAT 3 ADAPTER TUBE |
| 8 | 2 | DWM324 | SNAPPER PIN |
| 9 | 2 | 78558 | PIN RETAINING COLLAR |
| 10 | 2 | YBHH12125 | BOLT, 3/8-16 X 3 GR 5 FULL THREAD |
| 11 | 2 | YNTL12005 | NUT, HEX, 3/8-16, LKTL, C, ZC |
| 12 | 2 | G89 | STRAIGHT ZERK 1/4-28X90 |



**H&S Manufacturing products are approved for the
FEMA SEAL OF QUALITY**

**P.O. BOX 768, MARSHFIELD, WI 54449
(715) 387-3414 FAX (715) 384-5463
www.hsmfgco.com**