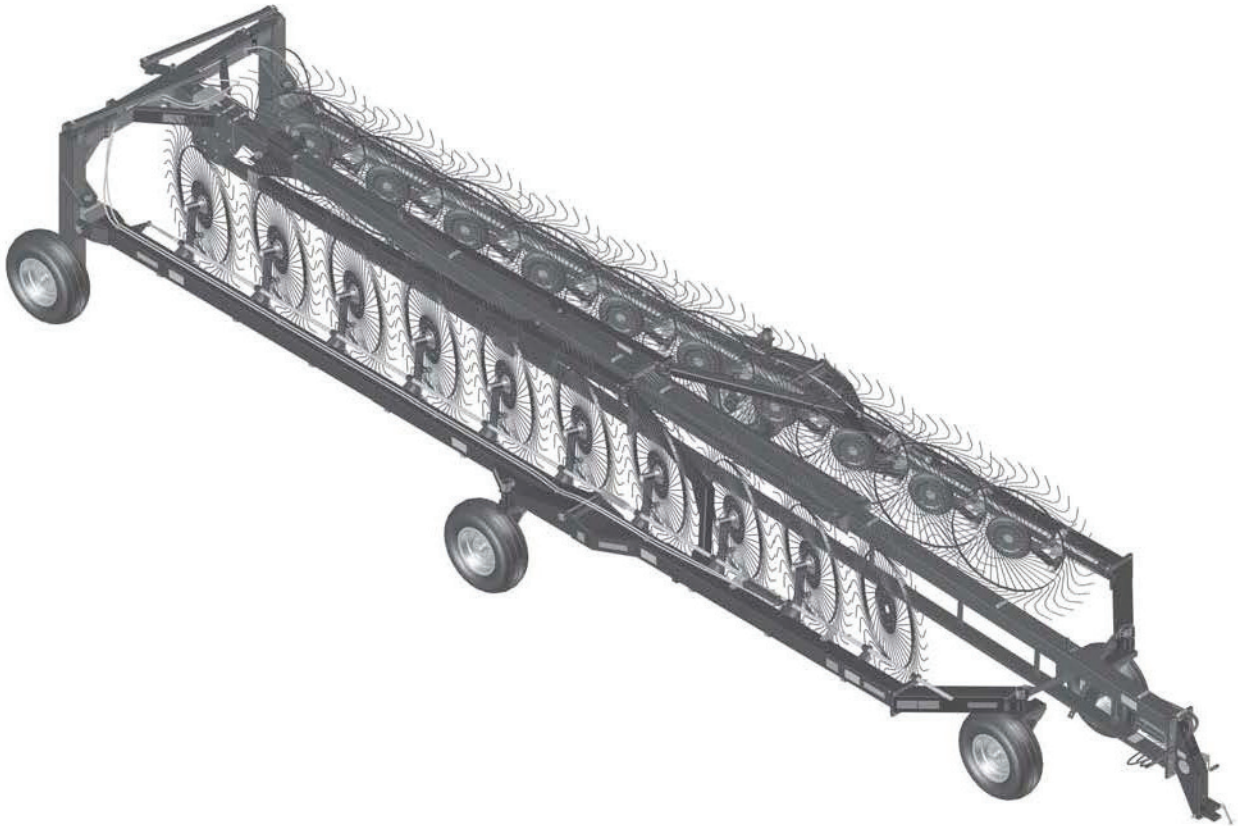


# H&S

## PARTS BOOK

# 6120 FLEX-FRAME RAKE



Revision #06

Starting Ser. #021FF20001

HSMFG0120

PART #60313

Manufactured By  
**H&S MANUFACTURING CO., INC.**  
2608 S. HUME AVE. MARSHFIELD, WI 54449  
(715) 387-3414 FAX (715) 384-8736

# CONTENTS

|  |       |
|--|-------|
| Instructions for Ordering Parts - About Improvements . . . . . | 1     |
| Figure 1 - Main Frame Front . . . . .                          | 2-3   |
| Figure 2 - Main Frame Middle . . . . .                         | 4-5   |
| Figure 3 - Main Frame Rear . . . . .                           | 6-7   |
| Figure 4 - Rear Frame & Axle Assembly . . . . .                | 8-9   |
| Figure 5 - Right Caster . . . . .                              | 10-11 |
| Figure 6 - Left Caster . . . . .                               | 12-13 |
| Figure 7 - Right & Left Front Rake Beams . . . . .             | 14-15 |
| Figure 8 - Right & Left Back Rake Beams . . . . .              | 16-17 |
| Figure 9 - U-Joint Assembly . . . . .                          | 18-19 |
| Figure 10 - Rake Wheel Assembly . . . . .                      | 20-21 |
| Figure 11 - Hydraulics . . . . .                               | 22-23 |
| Figure 12 - Lift Cylinder . . . . .                            | 24-25 |
| Figure 13 - Optional Hydraulic Rear Opening Cylinder . . . . . | 26-27 |
| Figure 14 - Optional Tandem Axle . . . . .                     | 28-29 |
| Figure 15 - Optional 2 Wheel Extension . . . . .               | 30-31 |
| Figure 16 - Wind Guard . . . . .                               | 32-33 |
| Figure 17 - Optional Lighting . . . . .                        | 34-35 |
| Figure 18 - Optional Kicker Wheel. . . . .                     | 36-43 |
| Figure 19 - Optional Bumper Kit. . . . .                       | 44-45 |
| Figure 20 - Optional 2 Point Hitch. . . . .                    | 46-47 |
| Parts Notes. . . . .   | 48    |

# **INSTRUCTIONS FOR ORDERING PARTS**

All service parts should be ordered through your authorized H&S dealer. He will be able to give you faster service if you will provide them with the following:

1. Model & Serial Number - Both can be located on the left, rear main frame of your unit
2. All references to left or right apply to the machine as viewed from the rear.
3. Parts should not be ordered from illustration only. Please order complete part number.
4. If your dealer has to order parts - give shipping instructions:

VIA truck - large pieces (please specify local truck lines)

VIA United Parcel Service (include full address)

H&S MFG. CO. INC.  
MARSHFIELD, WIS.  
MOD. NO.   
SER. NO.   
DESCR.

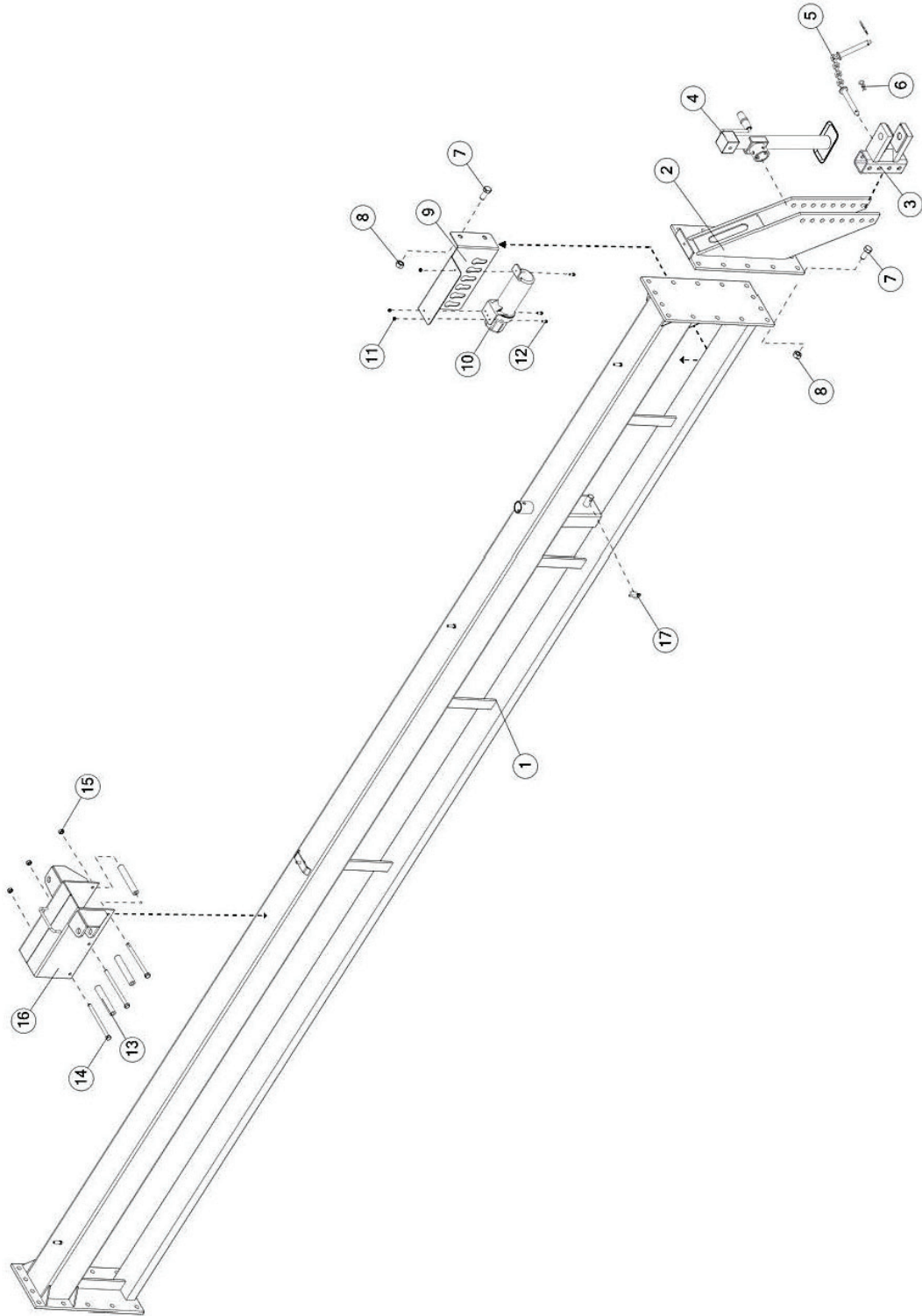
PLEASE RECORD NUMBERS FOR YOUR UNIT FOR QUICK REFERENCE

## **ABOUT IMPROVEMENTS**

H&S IS CONTINUALLY STRIVING TO IMPROVE IT'S PRODUCTS

We must therefore, reserve the right to make improvements or changes whenever it becomes practical to do so, without incurring any obligation to make changes or additions to the equipment previously sold.

# FIGURE 1 MAIN FRAME FRONT



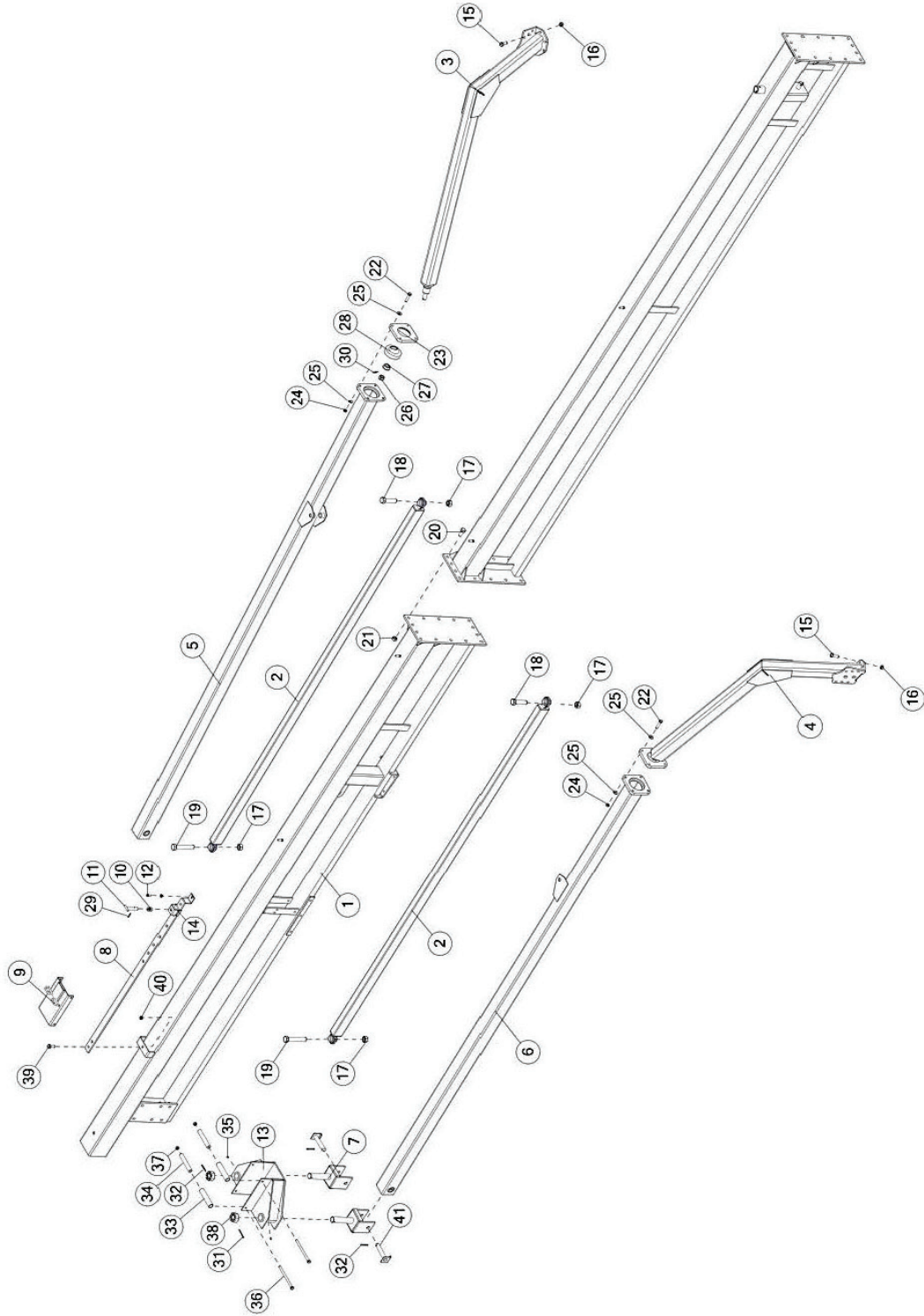
# FIGURE 1

## MAIN FRAME FRONT

| <u>ITEM</u> | <u>QTY</u> | <u>PART#</u> | <u>DESCRIPTION</u>          |
|-------------|------------|--------------|-----------------------------|
| 1           | 1          | 60065        | POLE FRONT                  |
| 2           | 1          | FR25         | HITCH RECEIVER              |
| *           | 1          | SC10100      | SAFETY CHAIN 10,100 LB      |
| 3           | 1          | HD83         | HITCH CLEVIS                |
| 4           | 1          | BFR753A      | SIDEWIND JACK               |
| 5           | 1          | BFR450       | HITCH PIN                   |
| 6           | 2          | YPHR02010    | HAIR PIN                    |
| 7           | 14         | YBHH24014    | BOLT HEX, 3/4 X 1-3/4 G5    |
| 8           | 14         | YNTL24005    | NUT HEX, TOP LOCK, 3/4      |
| 9           | 1          | 60269        | HOSE HOLDER                 |
| 10          | 1          | S522         | MANUAL HOLDER               |
| 11          | 3          | YNNY08005    | NUT HEX, NYLON LOCKNUT, 1/4 |
| 12          | 3          | YBHH08100    | BOLT HEX, 1/4 X 3/4 G5      |
| 13          | 3          | 58298        | SLIDER SPACER               |
| 14          | 3          | YBHH16180    | BOLT HEX, 1/2 X 7 G5        |
| 15          | 3          | YNTL16005    | NUT HEX, TOP LOCK, 1/2      |
| 16          | 1          | 58303        | LINKAGE SLIDER FRONT        |
| 17          | 1          | YPLY12010    | LYNCH PIN, 3/8 X 1-3/4      |
| *           | 1          | 78464        | HITCH EXTENSION             |

\*MEANS NOT SHOWN

# FIGURE 2 MAIN FRAME MIDDLE



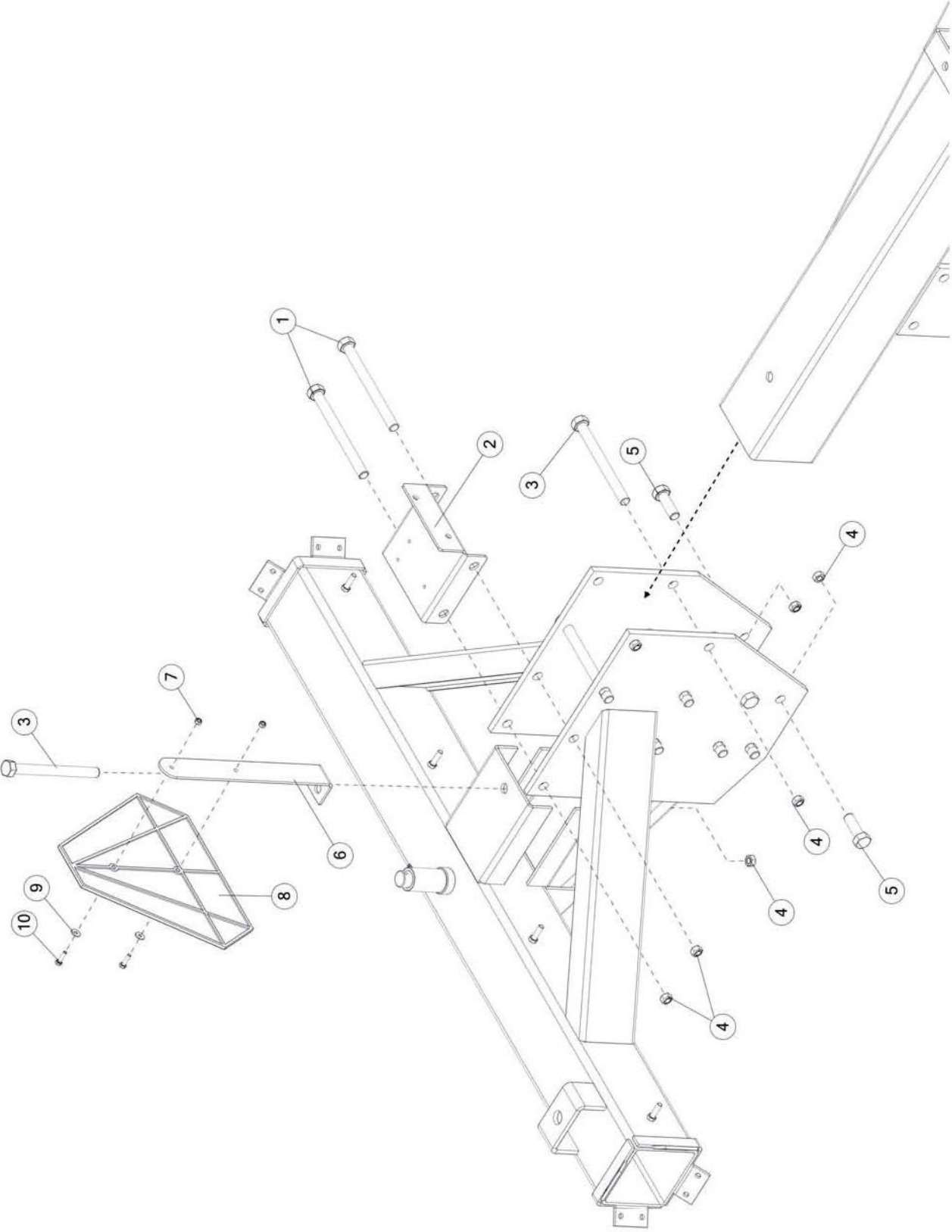
## FIGURE 2

### MAIN FRAME MIDDLE

| <u>ITEM</u> | <u>QTY</u> | <u>PART#</u> | <u>DESCRIPTION</u>           |
|-------------|------------|--------------|------------------------------|
| 1           | 1          | 58293        | POLE BACK                    |
| 2           | 2          | BFR458       | LINKAGE FRONT                |
| 3           | 1          | 58352        | ARM LH                       |
| 4           | 1          | 58353        | ARM RH                       |
| 5           | 1          | 63371        | LINKAGE ARM LH               |
| 6           | 1          | 63372        | LINKAGE ARM RH               |
| 7           | 2          | BFR476       | LINKAGE YOKE BACK RH         |
| 8           | 1          | 67416        | WIDTH ADJUSTMENT BAR         |
| 9           | 1          | 58380        | WIDTH ADJUSTMENT STOP        |
| 10          | 1          | BFR240       | SPRING                       |
| 11          | 1          | BFR241       | ADJUSTMENT HANDLE            |
| 12          | 1          | YBFB10002    | BOLT FLG, 5/16 X 1/2 G5      |
| 13          | 1          | 58251        | LINKAGE SLIDER BACK          |
| 14          | 1          | 55748        | WIDTH ADJUSTMENT LOCK        |
| 15          | 20         | YBHH20020    | BOLT HEX, 5/8 X 1-3/4 G5     |
| 16          | 20         | YNTL20005    | NUT HEX, TOP LOCK, 5/8       |
| 17          | 4          | YNTL32005    | NUT HEX, TOP LOCK, 1         |
| 18          | 2          | YBHH32015    | BOLT HEX, 1 X 4 G5           |
| 19          | 2          | YBHH32025    | BOLT HEX, 1 X 6 G5           |
| 20          | 14         | YBHH24014    | BOLT HEX, 3/4 X 1-3/4 G5     |
| 21          | 14         | YNTL24005    | NUT HEX, TOP LOCK, 3/4       |
| 22          | 8          | YBHH16080    | BOLT HEX, 1/2 X 2-1/2 G5     |
| 23          | 4          | 58287        | BEARING SUPPORT              |
| 24          | 8          | YNTL16006    | NUT HEX, TOP LOCK, 1/2       |
| 25          | 16         | YWFL16005    | WASHER FLAT, 1/2             |
| 26          | 2          | YNL28005     | NUT HEX, SLOTTED, 7/8        |
| 27          | 2          | 58301        | BALL SPACER                  |
| 28          | 2          | 58409        | PITCH ROD BALL PIN           |
| 29          | 1          | YPCT05005    | COTTER PIN, 5/32 X 1         |
| 30          | 2          | YPCT05020    | COTTER PIN, 5/32 X 1-3/4     |
| 31          | 1          | YPCT05035    | COTTER PIN, 5/32 X 2-1/2     |
| 32          | 3          | YPCT06020    | COTTER PIN, 3/16 X 2         |
| 33          | 2          | 58297        | SLIDER ROLLER BACK           |
| 34          | 2          | 58298        | SLIDER SPACER                |
| 35          | 2          | G89          | STRAIGHT ZERK, 1/4 - 28 X 90 |
| 36          | 2          | YBHH16182    | BOLT HEX, 1/2 X 8 G5         |
| 37          | 2          | YNL16005     | NUT HEX, TOP LOCK, 1/2       |
| 38          | 2          | YNL40005     | NUT HEX, SLOTTED, 1-1/2      |
| 39          | 1          | YBHH20010    | BOLT HEX, 5/8 X 1-1/2 G5     |
| 40          | 1          | YNL16006     | NUT HEX, TOP LOCK, 1/2       |
| 41          | 2          | BFR479       | PIVOT YOKE SHAFT PIN RH      |



**FIGURE 3**  
**MAIN FRAME REAR**

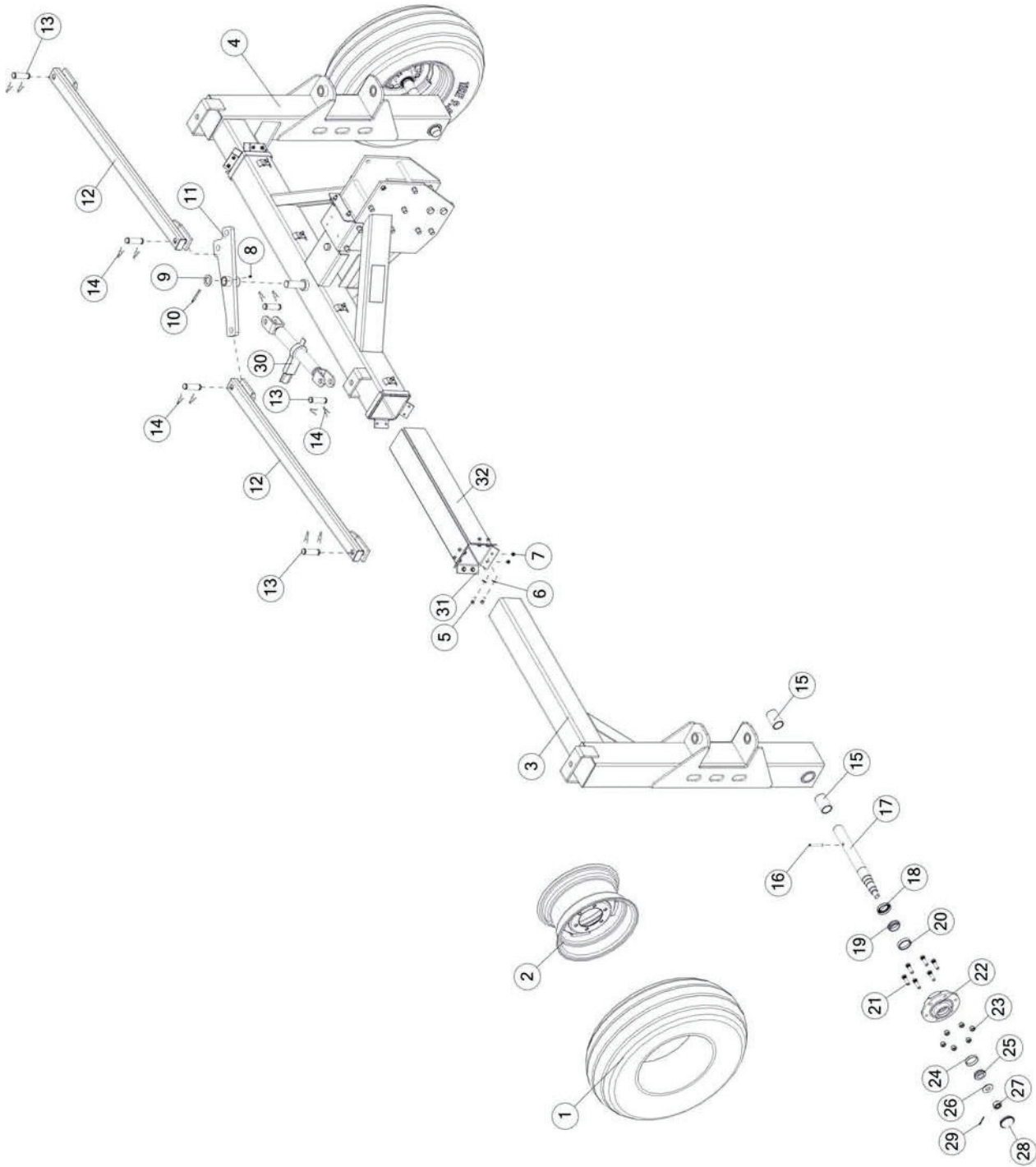




**FIGURE 3**  
**MAIN FRAME REAR**

| <b><u>ITEM</u></b> | <b><u>QTY</u></b> | <b><u>PART#</u></b> | <b><u>DESCRIPTION</u></b>   |
|--------------------|-------------------|---------------------|-----------------------------|
| 1                  | 2                 | YBHH24115           | BOLT HEX , 3/4 X 8-1/2 G5   |
| 2                  | 1                 | 58411               | HYD MOUNT                   |
| 3                  | 9                 | YBHH24110           | BOLT HEX, 3/4 X 8 G5        |
| 4                  | 15                | YNTL16006           | NUT HEX, TOP LOCK, 1/2      |
| 5                  | 4                 | YBHH24035           | BOLT HEX, 3/4 X 2-1/4 G5    |
| 6                  | 1                 | 63408               | SMV BRACKET                 |
| 7                  | 2                 | YNNY08005           | NUT HEX, NYLON LOCKNUT, 1/4 |
| 8                  | 1                 | BFR723              | SMV SIGN                    |
| 9                  | 2                 | YWFL08005           | WASHER FLAT, 1/4            |
| 10                 | 2                 | YBHH08010           | BOLT HEX, 1/4 X 1 G5        |

# **FIGURE 4** **REAR FRAME & AXLE ASSEMBLY**



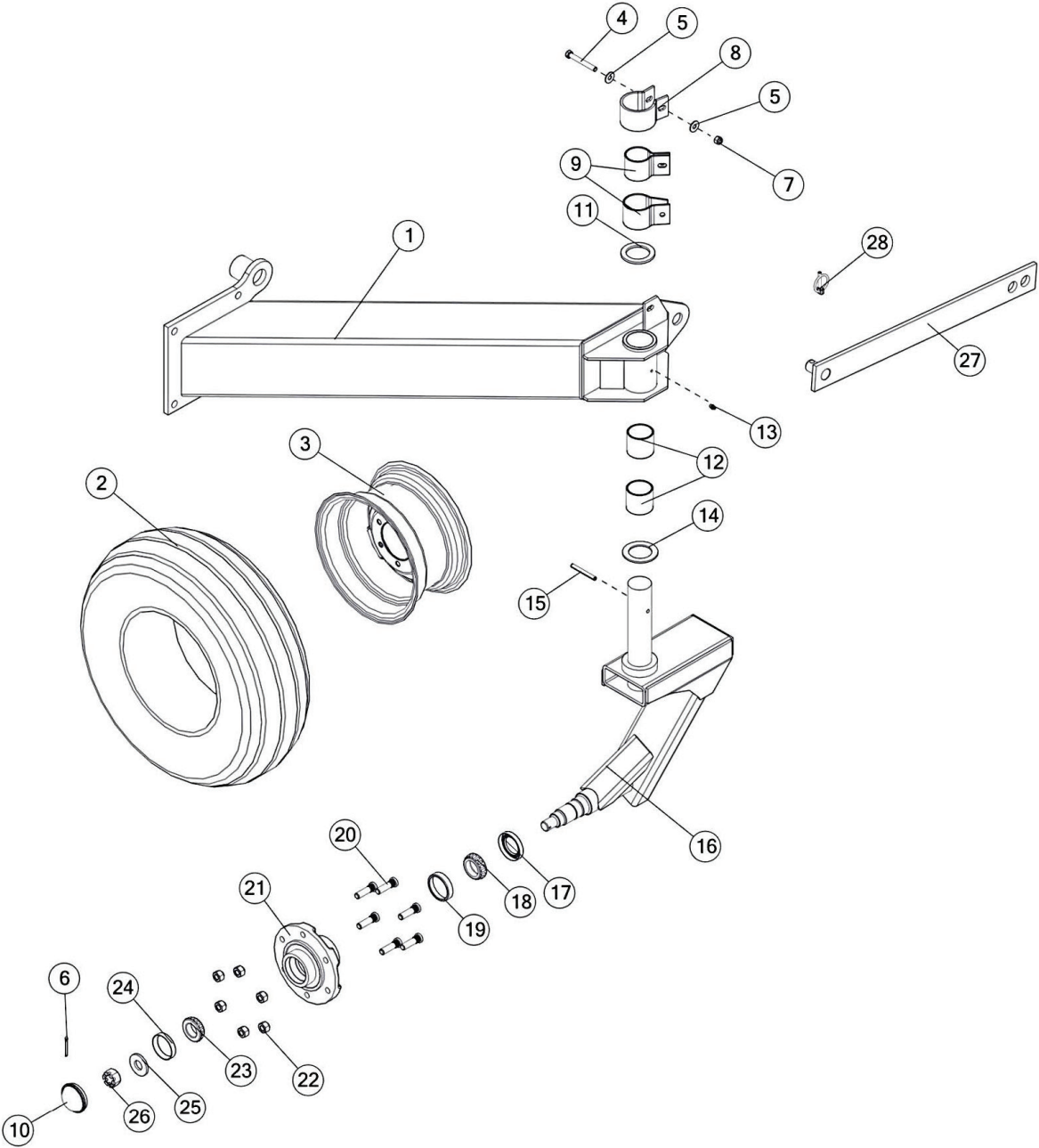
## FIGURE 4

### REAR FRAME & AXLE ASSEMBLY

| <u>ITEM</u> | <u>QTY</u> | <u>PART#</u> | <u>DESCRIPTION</u>             |
|-------------|------------|--------------|--------------------------------|
| 1           | 2          | UR2          | TIRE AND TUBE 11L X 15         |
| 2           | 2          | 12N24        | WHEEL 15 X 8, 6 BOLT           |
| *           | 2          | 33417        | WHEEL W/11LX15 8 PLY IMPL TIRE |
| 3           | 1          | 60200        | UPRIGHT RH                     |
| 4           | 1          | 60199        | UPRIGHT LH                     |
| 5           | 16         | YBHH10010    | BOLT HEX, 5/16 X 1 G5          |
| 6           | 16         | YWFL10005    | WASHER FLAT, 5/16              |
| 7           | 16         | YNL10005     | NUT HEX, TOP LOCK, 5/16        |
| 8           | 1          | G89          | STRAIGHT ZERK, 1/4 - 28 X 90   |
| 9           | 1          | BFR229       | WASHER                         |
| 10          | 1          | YPCT08010    | COTTER PIN, 1/4 X 2-1/2        |
| 11          | 1          | HD8          | CAM ARM                        |
| 12          | 2          | FR9          | CYLINDER LINK                  |
| 13          | 6          | T143         | HYD CYLINDER PIN               |
| 14          | 8          | 53371        | HYD CYLINDER PIN               |
| 15          | 4          | 58275        | BUSHING                        |
| 16          | 2          | YPEX12025    | EXPANSION PIN, 3/8 X 2-3/4     |
| 17          | 2          | FR55         | BACK SPINDLE                   |
| 18          | 2          | 12N17        | SEAL                           |
| 19          | 2          | 12N18        | INNER BEARING                  |
| 20          | 2          | 12N19        | INNER RACE                     |
| 21          | 12         | YBSD16005    | BOLT STUD, 1/2 X 1-7/8         |
| 22          | 2          | RG101        | HUB W/RACES & STUDS            |
| 23          | 12         | YNWL16005    | NUT WHEEL, 1/2                 |
| 24          | 2          | 17G146       | OUTER RACE                     |
| 25          | 2          | 17G145       | OUTER BEARING                  |
| 26          | 2          | HD200        | ROAD WHEEL SPINDLE WASHER      |
| 27          | 2          | YNSL28005    | NUT HEX, SLOTTED, 7/8          |
| 28          | 2          | 17G144       | HUB CAP                        |
| 29          | 2          | YPCT05010    | COTTER PIN, 5/32 X 1-1/2       |
| 30          | 1          | T138         | RATCHET JACK W/HANDLE          |
| 31          | 4          | FR52         | THICK POLY SLIDES              |
| 32          | 4          | FR53         | THIN POLY SLIDES               |

\*MEANS NOT SHOWN

**FIGURE 5**  
**RIGHT CASTER**

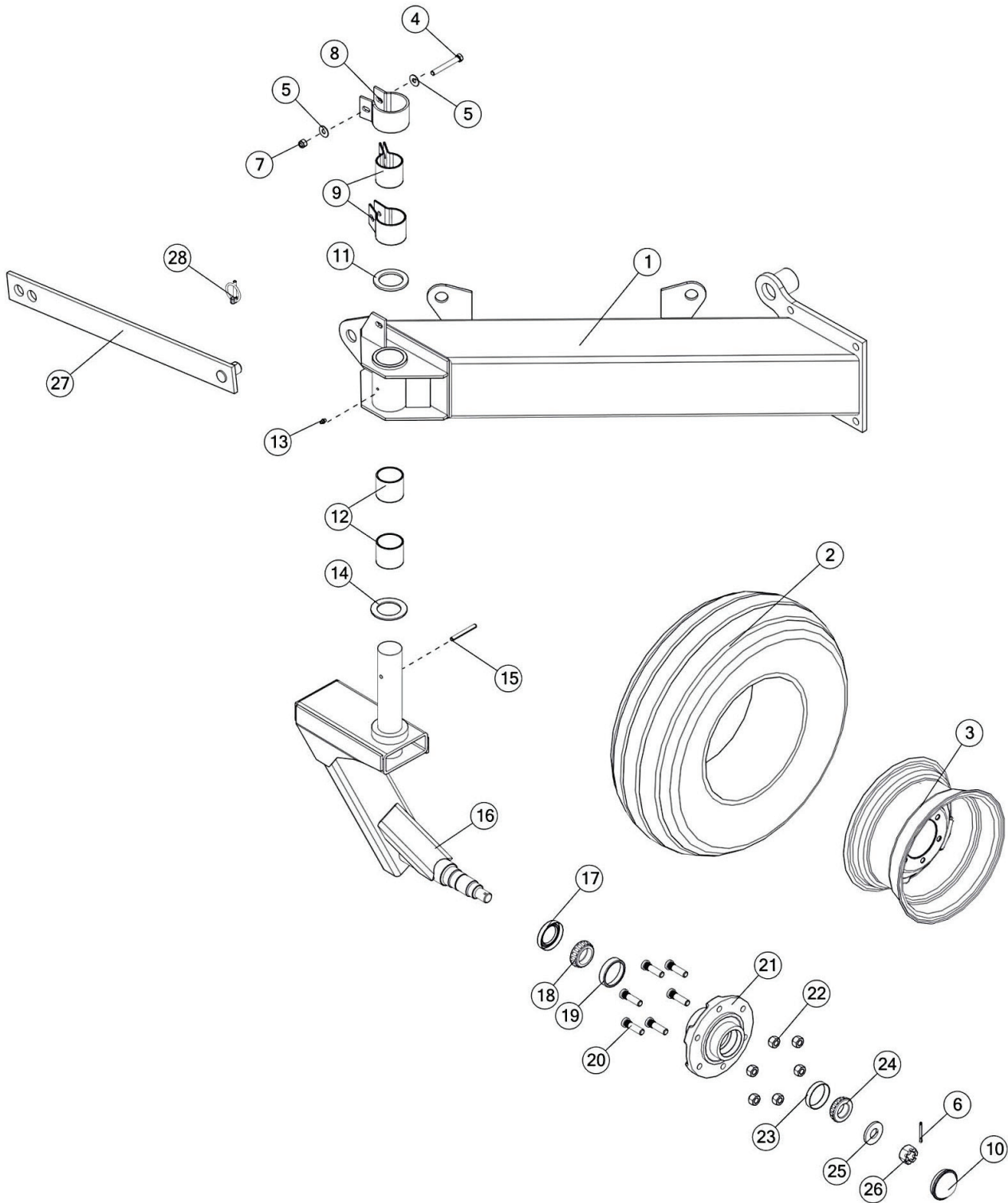


## FIGURE 5 RIGHT CASTER

| <u>ITEM</u> | <u>QTY</u> | <u>PART#</u> | <u>DESCRIPTION</u>             |
|-------------|------------|--------------|--------------------------------|
| 1           | 1          | 60236        | STANDOFF RH                    |
| 2           | 2          | UR2          | TIRE AND TUBE 11L X 15         |
| 3           | 2          | 12N24        | WHEEL 15 X 8, 6 BOLT           |
| *           | 2          | 33417        | WHEEL W/11LX15 8 PLY IMPL TIRE |
| 4           | 2          | YBHH12125    | BOLT HEX, 3/8 X 3 G5           |
| 5           | 4          | YWFL12005    | WASHER FLAT, 3/8               |
| 6           | 2          | YPCT05010    | COTTER PIN, 5/32 X 1-1/2       |
| 7           | 2          | YNNY12005    | NUT HEX, NYLON LOCKNUT, 3/8    |
| 8           | 2          | BFR311       | BRAKE COLLAR                   |
| 9           | 4          | BFR310       | BRAKE PAD                      |
| 10          | 2          | 17G144       | HUB CAP                        |
| 11          | 2          | BFR309       | GAUGE WHEEL WASHER             |
| 12          | 4          | RG26         | STEEL BUSHING                  |
| 13          | 2          | G89          | STRAIGHT ZERK, 1/4 - 28 X 90   |
| 14          | 2          | RG24         | BRONZE WASHER THRUST           |
| 15          | 2          | YPEX10025    | EXPANSION PIN, 5/16 X 2-3/4    |
| 16          | 2          | 81647        | CASTER RH                      |
| 17          | 2          | 12N17        | SEAL                           |
| 18          | 2          | 12N18        | INNER BEARING                  |
| 19          | 2          | 12N19        | INNER RACE                     |
| 20          | 12         | YBSD16005    | BOLT STUD, 1/2 X 1-7/8         |
| 21          | 2          | RG101        | HUB W/RACES & STUDS            |
| 22          | 12         | YNWL16005    | WHEEL NUT, 1/2                 |
| 23          | 2          | 17G145       | OUTER BEARING                  |
| 24          | 2          | 17G146       | OUTER RACE                     |
| 25          | 2          | HD200        | ROAD WHEEL SPINDLE WASHER      |
| 26          | 2          | YNSL28005    | NUT HEX, SLOTTED, 7/8          |
| 27          | 1          | 58362        | TRANSPORT LOCK BAR             |
| 28          | 1          | YPLY12010    | LYNCH PIN, 3/8 X 1-3/4         |

**\*MEANS NOT SHOWN**

# **FIGURE 6** **LEFT CASTER**



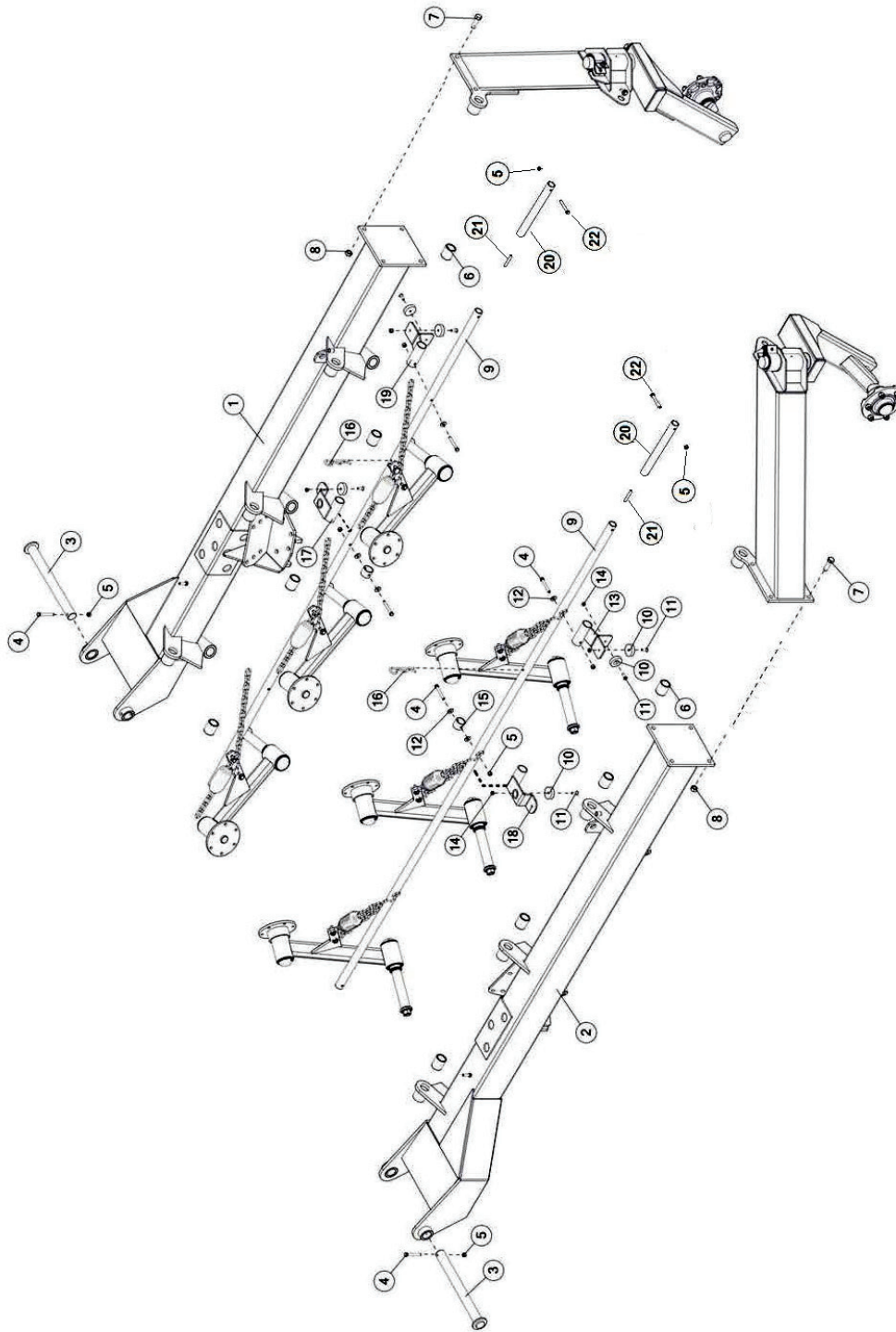
## FIGURE 6 LEFT CASTER

| <u>ITEM</u> | <u>QTY</u> | <u>PART#</u> | <u>DESCRIPTION</u>           |
|-------------|------------|--------------|------------------------------|
| 1           | 1          | 60235        | STANDOFF LH                  |
| 2           | 2          | UR2          | TIRE AND TUBE 11L X 15       |
| 3           | 2          | 12N24        | WHEEL 15 X 8, 6 BOLT         |
| *           | 2          | 33417        | WHEEL W/11LX15 8 PLY IMPL    |
| 4           | 2          | YBHH12125    | BOLT HEX, 3/8 X 3 G5         |
| 5           | 4          | YWFL12005    | WASHER FLAT, 3/8             |
| 6           | 2          | YPCT05010    | COTTER PIN, 5/32 X 1-1/2     |
| 7           | 2          | YNNY12005    | NUT HEX, NYLON LOCKNUT, 3/8  |
| 8           | 2          | BFR311       | BRAKE COLLAR                 |
| 9           | 4          | BFR310       | BRAKE PAD                    |
| 10          | 2          | 17G144       | HUB CAP                      |
| 11          | 2          | BFR309       | GAUGE WHEEL WASHER           |
| 12          | 4          | RG26         | STEEL BUSHING                |
| 13          | 2          | G89          | STRAIGHT ZERK, 1/4 - 28 X 90 |
| 14          | 2          | RG24         | BRONZE WASHER                |
| 15          | 2          | YPEX10025    | EXPANSION PIN, 5/16 X 2-3/4  |
| 16          | 2          | 81646        | CASTER LH                    |
| 17          | 2          | 12N17        | SEAL                         |
| 18          | 2          | 12N18        | INNER BEARING                |
| 19          | 2          | 12N19        | INNER RACE                   |
| 20          | 12         | YBSD16005    | BOLT STUD, 1/2 X 1-7/8       |
| 21          | 2          | RG101        | HUB W/RACES & STUDS          |
| 22          | 12         | YNWL16005    | WHEEL NUT, 1/2               |
| 23          | 2          | 17G145       | OUTER BEARING                |
| 24          | 2          | 17G146       | OUTER RACE                   |
| 25          | 2          | HD200        | ROAD WHEEL SPINDLE WASHER    |
| 26          | 2          | YNSL28005    | NUT HEX, SLOTTED, 7/8        |
| 27          | 1          | 58362        | TRANSPORT LOCK BAR           |
| 28          | 1          | YPLY12010    | LYNCH PIN, 3/8 X 1-3/4       |

\*MEANS NOT SHOWN



# **FIGURE 7** **RIGHT & LEFT FRONT RAKE BEAMS**



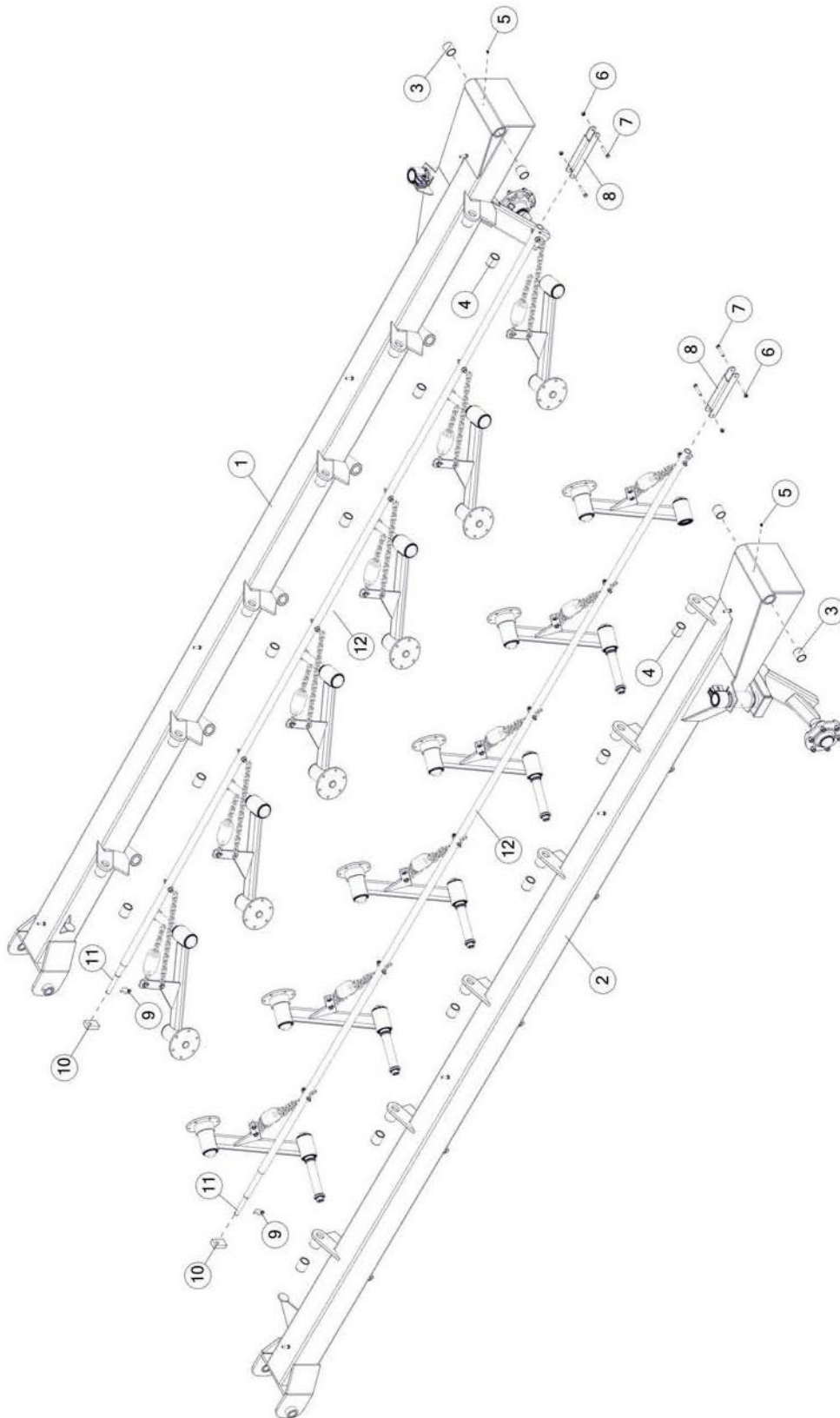
## FIGURE 7

### RIGHT & LEFT FRONT RAKE BEAMS

| <u>ITEM</u> | <u>QTY</u> | <u>PART#</u> | <u>DESCRIPTION</u>                    |
|-------------|------------|--------------|---------------------------------------|
| 1           | 1          | 60000        | RAKE BEAM FRONT LH                    |
| 2           | 1          | 60350        | RAKE BEAM FRONT RH                    |
| 3           | 2          | FR8          | PIVOT PIN                             |
| 4           | 6          | YBHH12110    | BOLT HEX, 3/8 X 2-3/4 G5              |
| 5           | 6          | YNTL12005    | NUT HEX, TOP LOCK, 3/8                |
| 6           | 12         | HD128        | BUSHING                               |
| 7           | 8          | YBHH20025    | BOLT HEX, 5/8 X 2 G5                  |
| 8           | 8          | YNHX20005    | NUT HEX, 5/8                          |
| 9           | 2          | 83227        | LIFT PIPE FRONT                       |
| 10          | 6          | FR51         | SLIDER PAD                            |
| 11          | 6          | YSFS10005    | SCREW, FLAT HEAD SOCKET CAP, 5/16 X 1 |
| 12          | 4          | YWFL12005    | WASHER FLAT, 3/8                      |
| 13          | 1          | FR39         | PIPE STABILIZER RH                    |
| 14          | 8          | YNTL10005    | NUT HEX, TOP LOCK, 5/16               |
| 15          | 2          | FR50         | SLIDE STOP                            |
| 16          | 2          | YPHR08040    | HAIR PIN, 1/4 X 5                     |
| 17          | 1          | FR31         | PIPE LIFTER LH                        |
| 18          | 1          | FR32         | PIPE LIFTER RH                        |
| 19          | 1          | FR40         | PIPE STABILIZER LH                    |
| 20          | 2          | 83170        | LIFT PIPE EXTENSION                   |
| 21          | 2          | FR63         | CONNECTOR                             |
| 22          | 2          | YBHH12060    | HEX BOLT, 3/8 x 1-3/4                 |

**\*MEANS NOT SHOWN**

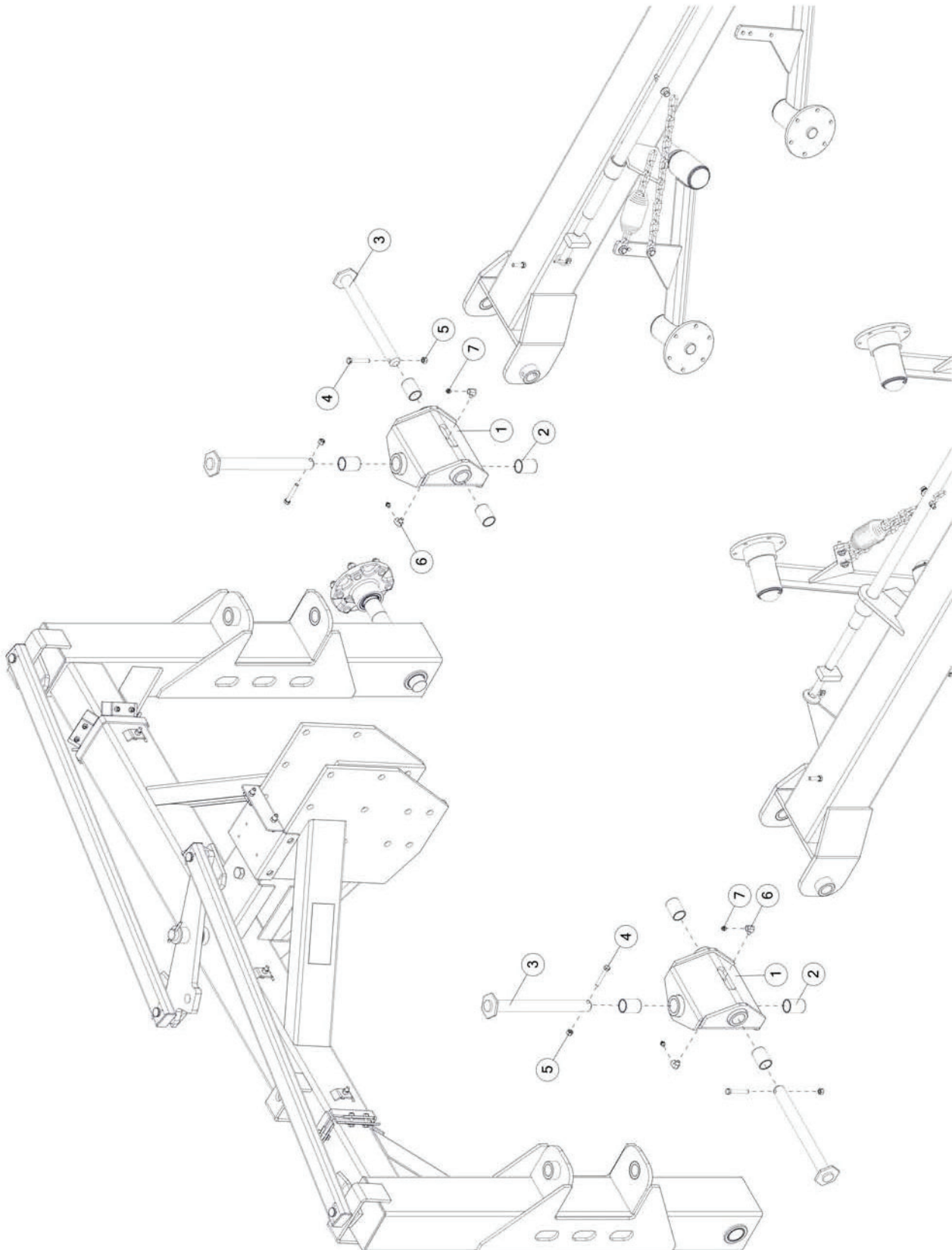
# **FIGURE 8** **RIGHT & LEFT BACK RAKE BEAMS**



**FIGURE 8**  
**RIGHT & LEFT BACK RAKE BEAMS**

| <b><u>ITEM</u></b> | <b><u>QTY</u></b> | <b><u>PART#</u></b> | <b><u>DESCRIPTION</u></b>    |
|--------------------|-------------------|---------------------|------------------------------|
| 1                  | 1                 | FR13                | RAKE BEAM REAR LH            |
| 2                  | 1                 | FR14                | RAKE BEAM REAR RH            |
| 3                  | 4                 | FR83                | IRON BUSHING                 |
| 4                  | 12                | HD128               | BUSHING                      |
| 5                  | 2                 | G89                 | STRAIGHT ZERK, 1/4 - 28 X 90 |
| 6                  | 4                 | YNL12005            | NUT HEX, TOP LOCK, 3/8       |
| 7                  | 4                 | YBHH12105           | BOLT HEX, 3/8 X 2-1/4 G5     |
| 8                  | 2                 | 58392               | PIPE LINKAGE                 |
| 9                  | 2                 | YPLY08011           | LYNCH PIN, 1/4 X 1-9/16      |
| 10                 | 2                 | 64103               | RAKE PRESSURE HANDLE         |
| 11                 | 2                 | BFR486              | RAKE ARM LOCK-UP SHAFT       |
| 12                 | 2                 | FR57                | LIFT PIPE REAR               |

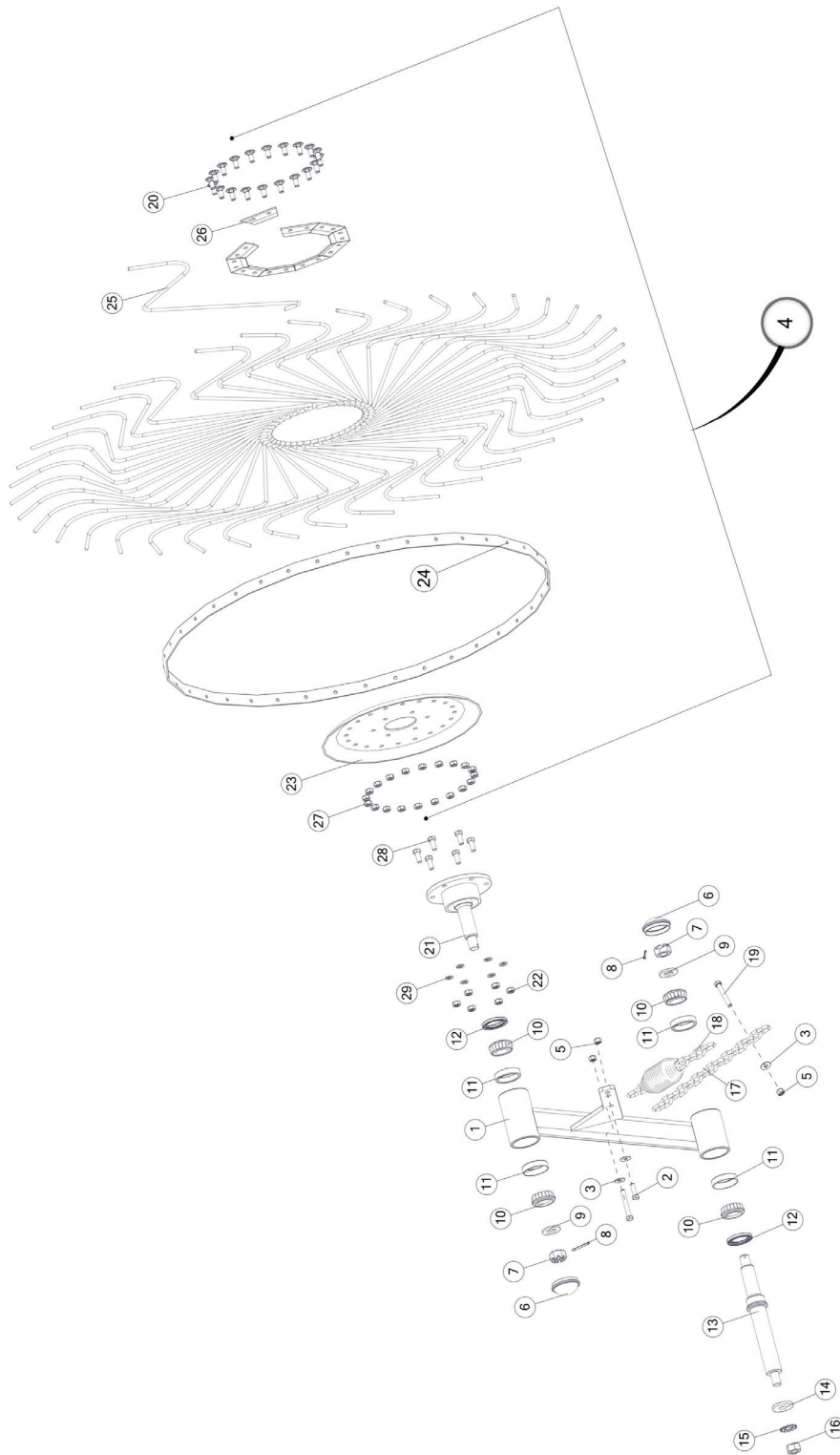
# **FIGURE 9** **U-JOINT ASSEMBLY**



**FIGURE 9**  
**U-JOINT ASSEMBLY**

| <b><u>ITEM</u></b> | <b><u>QTY</u></b> | <b><u>PART#</u></b> | <b><u>DESCRIPTION</u></b> |
|--------------------|-------------------|---------------------|---------------------------|
| 1                  | 2                 | FR5                 | U-JOINT                   |
| 2                  | 8                 | RG132               | BUSHING                   |
| 3                  | 4                 | FR10                | U-JOINT PIN               |
| 4                  | 4                 | YBHH12090           | BOLT HEX, 3/8 X 2-1/2 G5  |
| 5                  | 4                 | YNL12005            | NUT HEX, TOP LOCK, 3/8    |
| 6                  | 4                 | 58453               | ELBOW 1/8                 |
| 7                  | 4                 | BFR28               | GREASE ZERK, 1/8 NPT      |

# **FIGURE 10** **RAKE WHEEL ASSEMBLY**





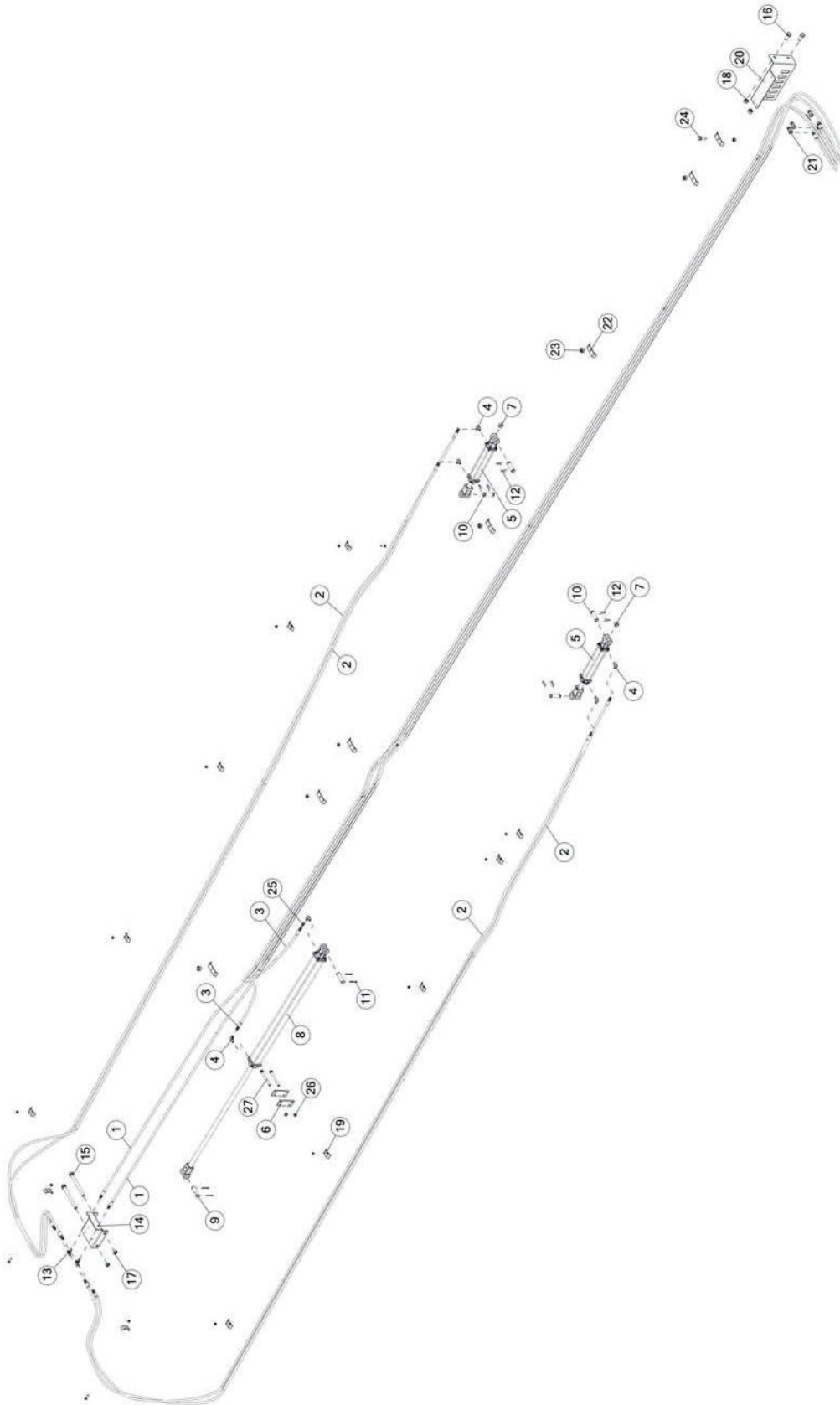
## FIGURE 10

### RAKE WHEEL ASSEMBLY

| <u>ITEM</u> | <u>QTY</u> | <u>PART#</u> | <u>DESCRIPTION</u>                        |
|-------------|------------|--------------|---|
| 1           | 10         | FR6          | RAKE ARM RH                               |
| *           | 10         | FR7          | RAKE ARM LH                               |
| 2           | 40         | YBHH12035    | BOLT HEX, 3/8 X 1-1/4 G5                  |
| 3           | 60         | YWFL12005    | WASHER FLAT, 3/8                          |
| 4           | 10         | FR70         | RAKE WHEEL 60 IN RH                       |
| *           | 10         | FR69         | RAKE WHEEL 60 IN LH                       |
| 5           | 60         | YNTL12005    | NUT HEX, TOP LOCK, 3/8                    |
| 6           | 40         | 17G144       | HUB CAP                                   |
| 7           | 40         | YNSL28005    | NUT HEX, SLOTTED, 7/8                     |
| 8           | 40         | YPCT05010    | COTTER PIN, 5/32 X 1-1/2                  |
| 9           | 40         | YWFL28010    | WASHER, FLAT 7/8                          |
| 10          | 80         | HD122        | TAPERED BEARING                           |
| 11          | 80         | 3G18         | BEARING RACE                              |
| 12          | 40         | HD124        | SEAL                                      |
| 13          | 20         | FR54         | PIVOT SPINDLE FRONT                       |
| 14          | 20         | HD157        | PIVOT WASHER                              |
| 15          | 20         | YWSI24005    | WASHER LOCK, STAR, INTERNAL/EXTERNAL, 3/4 |
| 16          | 20         | YNHX24004    | NUT HEX, 3/4 G5                           |
| 17          | 20         | FR58         | CHAIN (15 LINKS)                          |
| 18          | 20         | 8771         | SPRING                                    |
| 19          | 20         | YBHH12110    | BOLT HEX, 3/8 X 2-3/4 G5                  |
| 20          | 400        | YBCR76005    | BOLT CARRIAGE, 10MM X 25MM                |
| 21          | 20         | FR24         | HUB                                       |
| 22          | 120        | YNHX76015    | NUT HEX, M10-1.5                          |
| 23          | 20         | FR71         | RAKE WHEEL CENTER                         |
| 24          | 20         | FR72         | RAKE WHEEL OUTER RING                     |
| 25          | 800        | FR73         | RAKE WHEEL TOOTH                          |
| 26          | 400        | FR74         | RAKE TOOTH CLIP                           |
| 27          | 400        | YNLC76005    | NUT LOCK, 10 MM                           |
| 28          | 120        | YBHH76015    | BOLT HEX, M10-1.5 X 25, 10.9              |
| 29          | 120        | YWLO76015    | WASHER LOCK, M10                          |

\*MEANS NOT SHOWN

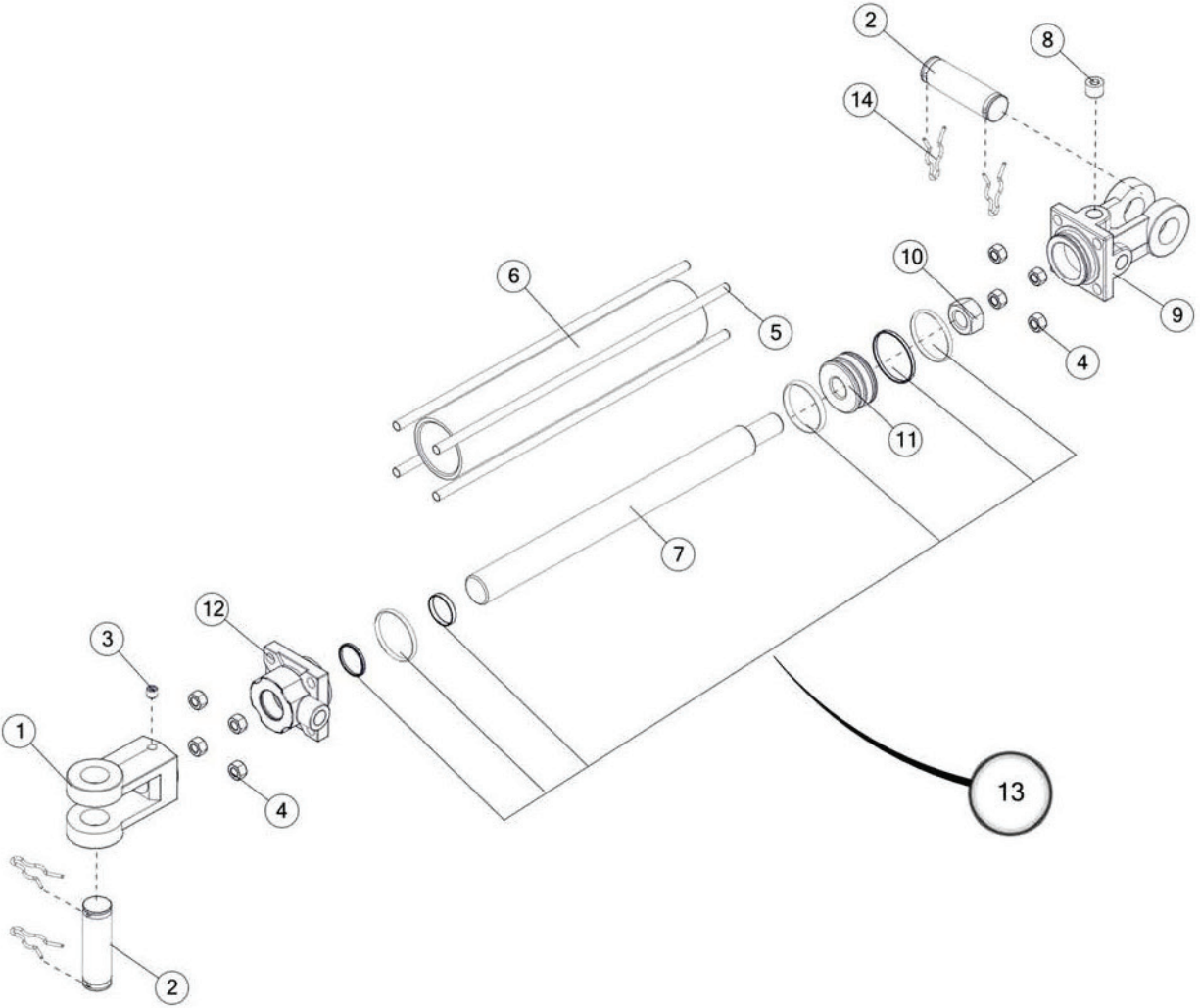
**FIGURE 11**  
**HYDRAULICS**



## FIGURE 11 HYDRAULICS

| <u>ITEM</u> | <u>QTY</u> | <u>PART#</u> | <u>DESCRIPTION</u>                        |
|-------------|------------|--------------|---|
| 1           | 2          | 60296        | HYD HOSE, MAIN                            |
| 2           | 4          | 58403        | HYD HOSE, LIFT CYL                        |
| 3           | 2          | 60299        | HYD HOSE, OPEN CYL                        |
| 4           | 6          | 58444        | MALE ELBOW 37 DEG, 3/8                    |
| 5           | 2          | 56000        | HYD CYLINDER, 2 X 10                      |
| 6           | 2          | 58692        | CYLINDER SPACER                           |
| 7           | 2          | 58374        | SPACER                                    |
| 8           | 1          | 60374        | CYLINDER, 2-1/2 X 40                      |
| 9           | 2          | BFR634       | CYLINDER PIN                              |
| 10          | 4          | T143         | HYD CYLINDER PIN                          |
| 11          | 4          | YPCT06020    | COTTER PIN, 3/16 X 2                      |
| 12          | 8          | 53371        | CYLINDER PIN                              |
| 13          | 2          | 58414        | BULKHEAD TEE, #4                          |
| 14          | 1          | 58411        | HYDRAULIC MOUNT                           |
| 15          | 2          | YBHH24115    | BOLT HEX, 3/4 X 8-1/2 G5                  |
| 16          | 2          | YBHH24014    | BOLT HEX, 3/4 X 1-3/4 G5                  |
| 17          | 2          | YNHX24004    | NUT HEX, 3/4 G5                           |
| 18          | 2          | YNTL24005    | NUT HEX, TOP LOCK, 3/4                    |
| 19          | 12         | 23N67        | HOSE BRACKET, FRONT                       |
| 20          | 1          | 60269        | HOSE HOLDER                               |
| 21          | 4          | DWM205       | MALE QUICK COUPLER                        |
| 22          | 6          | 58448        | HOSE BRACKET                              |
| 23          | 15         | YNTL12005    | NUT HEX, TOP LOCK, 3/8                    |
| 24          | 1          | YBHH20020    | BOLT HEX, 3/8 X 1-1/2 G5                  |
| 25          | 1          | 58109        | IN-LINE CONNECTOR, ORIFICE, 4-XHX7-S .047 |
| 26          | 2          | YNRL16005    | NUT HEX, REVERSIBLE-SIDE LOCK, 1/2        |
| 27          | 2          | YBHH16160    | BOLT HEX, 1/2 X 5-1/2 G5                  |

**FIGURE 12**  
**LIFT CYLINDER**

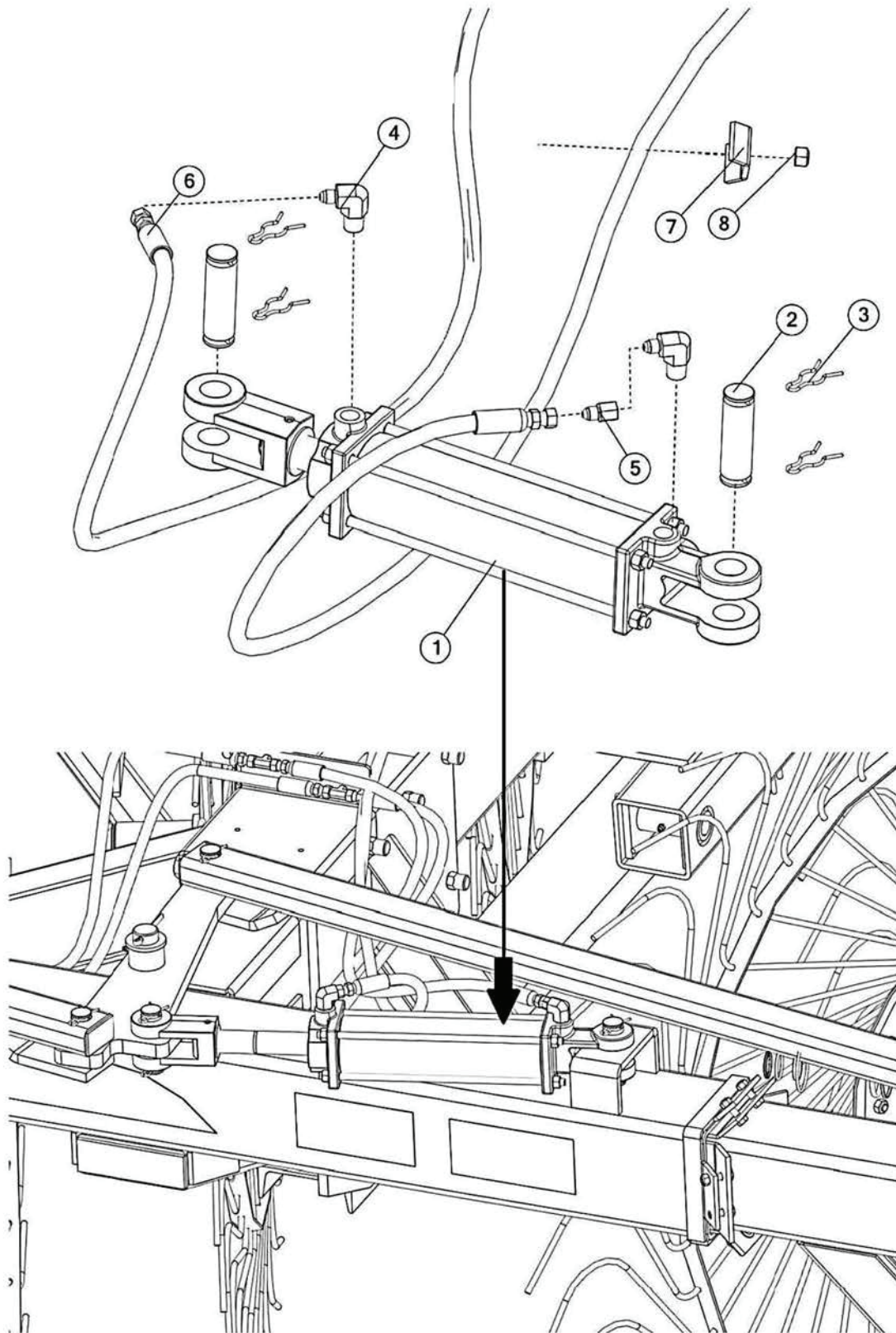


## FIGURE 12 LIFT CYLINDER

| <u>ITEM</u> | <u>QTY</u> | <u>PART#</u> | <u>DESCRIPTION</u>           |
|-------------|------------|--------------|------------------------------|
| 1           | 1          | 23N150A      | ROD CLEVIS                   |
| 2           | 2          | T143         | HYD CYLINDER PIN             |
| 3           | 1          | YSSO12015    | SCREW SET, SOCKET, 3/8 X 3/8 |
| 4           | 8          | YNHX12006    | NUT HEX, 3/8                 |
| 5           | 4          | 16SV170      | TIE ROD                      |
| 6           | 1          | 16SV169      | CYLINDER TUBE                |
| 7           | 1          | 16SV168A     | CYLINDER ROD                 |
| 8           | 1          | 23N149       | PLUG                         |
| 9           | 1          | 23N142A      | CLEVIS CAP                   |
| 10          | 1          | 23N148       | PISTON NUT                   |
| 11          | 1          | 56180        | PISTON                       |
| 12          | 1          | 56174        | ROD CAP                      |
| 13          | 1          | 56187        | SEAL KIT                     |
| 14          | 1          | 53371        | CYLINDER PIN                 |
| *           | 1          | 56000        | HYD CYLINDER, 2 X 10         |

**\*MEANS NOT SHOWN**

# FIGURE 13 OPTIONAL HYDRAULIC REAR OPENING CYLINDER



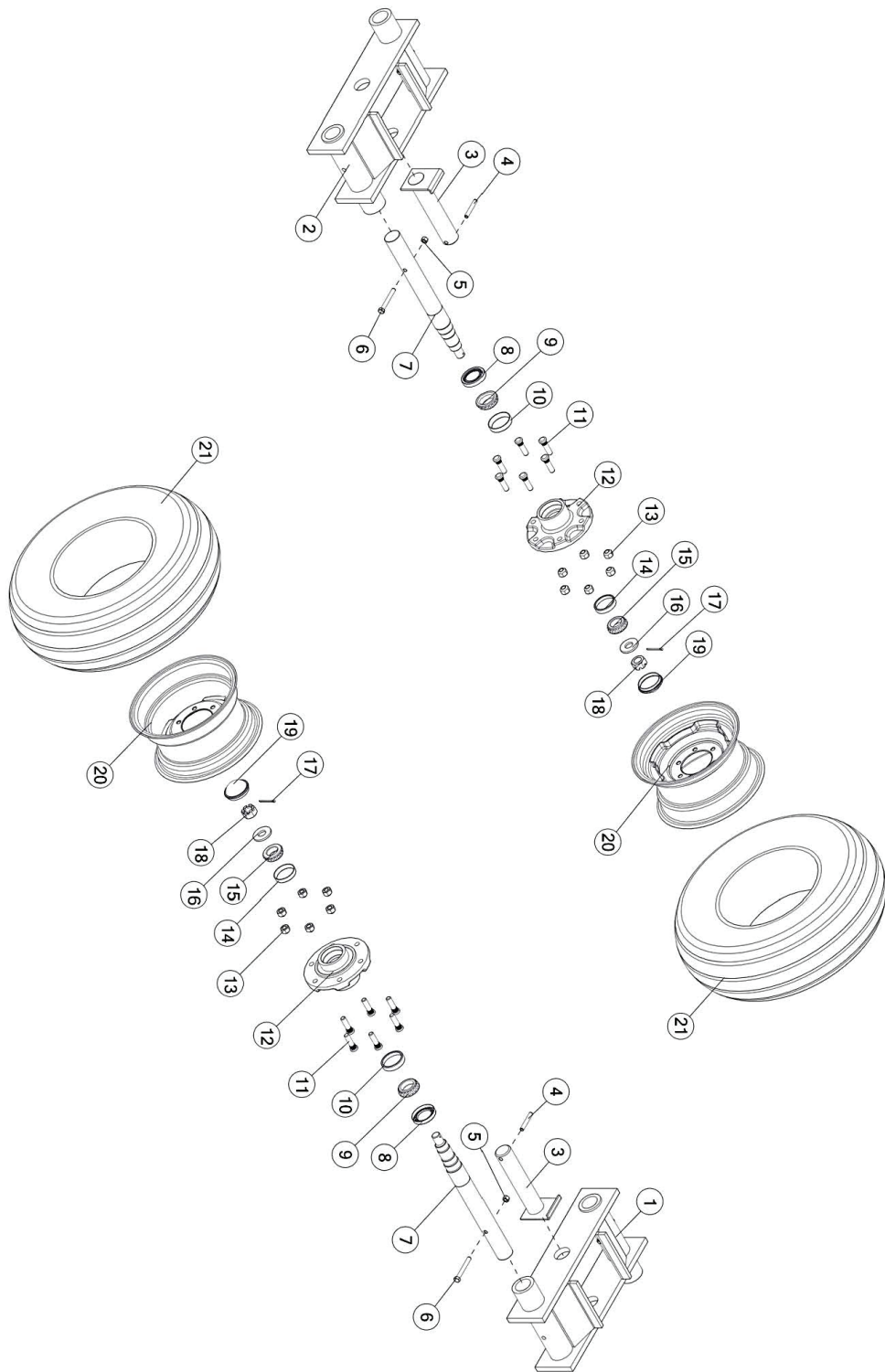
**FIGURE 13**  
**OPTIONAL HYDRAULIC REAR OPENING CYLINDER**

| <u>ITEM</u> | <u>QTY</u> | <u>PART#</u> | <u>DESCRIPTION</u>      |
|-------------|------------|--------------|-------------------------|
| 1           | 1          | 56006        | HYD CYLINDER, 2-1/2 X 8 |
| 2           | 2          | T143         | HYD CYLINDER PIN        |
| 3           | 4          | 53371        | CYLINDER PIN            |
| 4           | 2          | 58444        | MALE ELBOW 37 DEG, 3/8  |
| 5           | 1          | 58108        | 4 XHX7-S .031 ORIFICE   |
| 6           | 2          | 60290        | HOSE, HYD OPEN          |
| 7           | 1          | 23N67        | HOSE BRACKET, FRONT     |
| 8           | 1          | YNL12005     | NUT HEX, TOP LOCK, 3/8  |
| *           | 1          | 56188        | SEAL KIT                |

**\*MEANS NOT SHOWN**



# FIGURE 14 OPTIONAL TANDEM AXLE



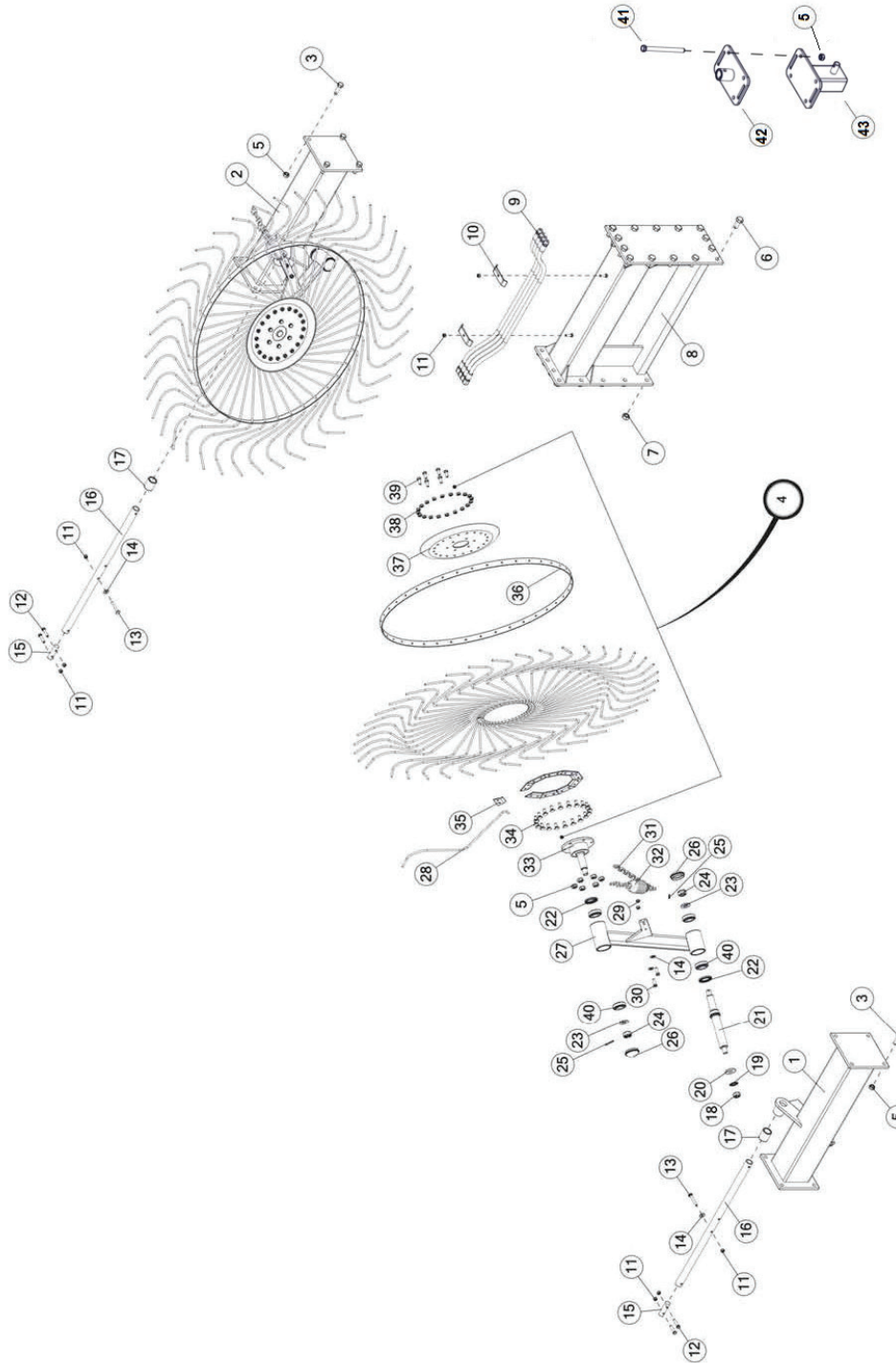
## FIGURE 14

### OPTIONAL TANDEM AXLE

| <u>ITEM</u> | <u>QTY</u> | <u>PART#</u> | <u>DESCRIPTION</u>             |
|-------------|------------|--------------|--------------------------------|
| 1           | 1          | 58299        | TANDEM RH                      |
| 2           | 1          | 58300        | TANDEM LH                      |
| 3           | 2          | 58277        | AXLE PIVOT PIN                 |
| 4           | 2          | YPEX12023    | EXPANSION PIN, 3/8 X 2-1/2     |
| 5           | 4          | YNTL12005    | NUT HEX, TOP LOCK, 3/8         |
| 6           | 4          | YBHH12120    | BOLT HEX, 3/8 X 3 G5           |
| 7           | 2          | FR55         | BACK SPINDLE                   |
| 8           | 2          | 12N17        | SEAL                           |
| 9           | 2          | 12N18        | INNER BEARING                  |
| 10          | 2          | 12N19        | INNER RACE                     |
| 11          | 12         | YBSD16005    | BOLT STUD, 1/2 X 1-7/8         |
| 12          | 2          | RG101        | HUB W/RACES AND STUDS          |
| 13          | 12         | YNWL16005    | NUT WHEEL, 1/2                 |
| 14          | 2          | 17G146       | OUTER RACE                     |
| 15          | 2          | 17G145       | OUTER BEARING                  |
| 16          | 2          | HD200        | ROAD WHEEL SPINDLE WASHER      |
| 17          | 2          | YPCT05010    | COTTER PIN, 5/32 X 1-1/2       |
| 18          | 2          | YNSL28005    | NUT HEX, SLOTTED, 7/8          |
| 19          | 2          | 17G144       | HUB CAP                        |
| 20          | 2          | 12N24        | WHEEL 15 X 8, 6 BOLT           |
| 21          | 2          | UR2          | TIRE AND TUBE 11L X 15         |
| *           | 2          | 33417        | WHEEL W/11LX15 8 PLY IMPL TIRE |

\*MEANS NOT SHOWN

# FIGURE 15 OPTIONAL 2 WHEEL EXTENSION



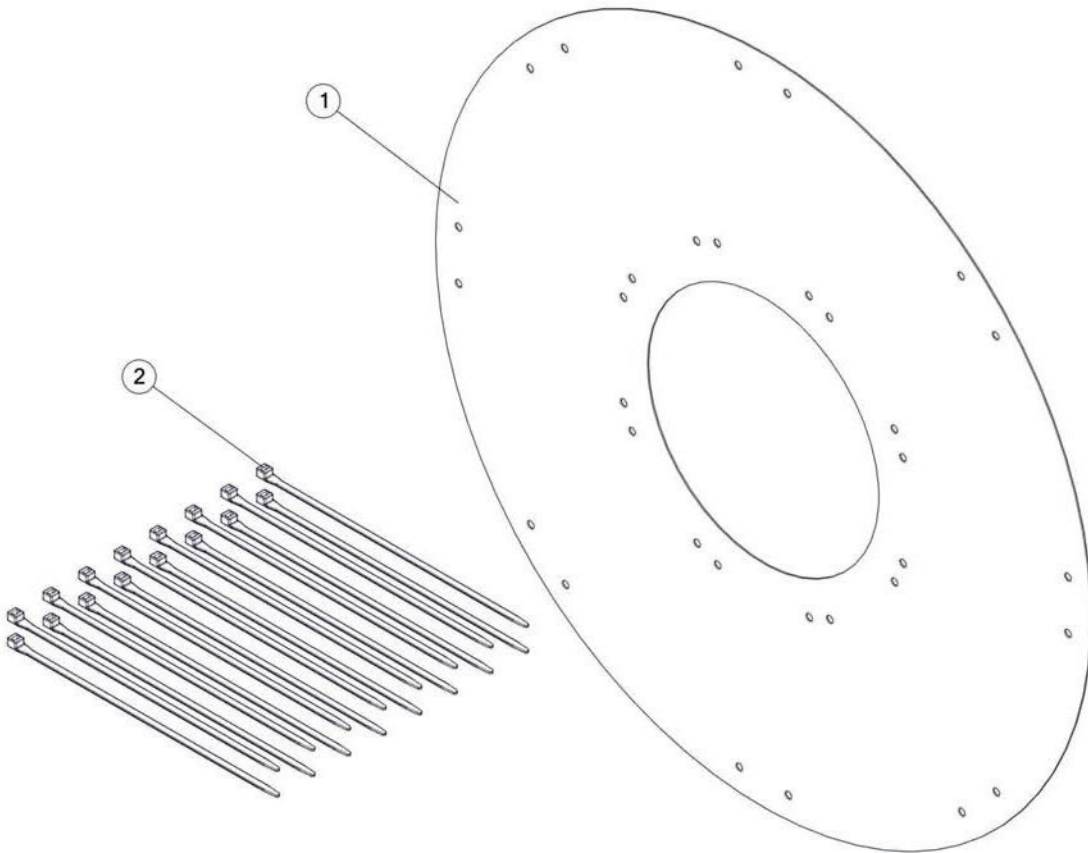
## FIGURE 15

### OPTIONAL 2 WHEEL EXTENSION

| <u>ITEM</u> | <u>QTY</u> | <u>PART#</u> | <u>DESCRIPTION</u>                         |
|-------------|------------|--------------|--|
| 1           | 1          | FR61         | BEAM FRONT RH                              |
| 2           | 1          | FR62         | BEAM FRONT LH                              |
| 3           | 8          | YBHH20025    | BOLT HEX, 5/8 X 2 G5                       |
| 4           | 1          | FR70         | RAKE WHEEL, 60 IN RH                       |
| *           | 1          | FR69         | RAKE WHEEL 60 IN LH                        |
| 5           | 24         | YNTL20005    | NUT HEX, TOP LOCK, 5/8                     |
| 6           | 14         | YBHH24014    | BOLT HEX, 3/4 X 1-3/4 G5                   |
| 7           | 14         | YNTL24005    | NUT HEX, TOP LOCK, 3/4                     |
| 8           | 1          | 60513        | EXTENSION POLE                             |
| 9           | 4          | BFR635       | HOSE, 3/8 X 33 1/2 FP & 1/2 MP             |
| 10          | 2          | 58448        | HOSE BRACKET                               |
| 11          | 10         | YNTL12005    | NUT HEX, TOP LOCK, 3/8                     |
| 12          | 2          | YBHH12060    | BOLT HEX, 3/8 X 1-3/4 G5                   |
| 13          | 2          | YBHH12110    | BOLT CARRIAGE, 3/8 X 2-3/4 G5              |
| 14          | 4          | YWFL12005    | WASHER FLAT, 3/8                           |
| 15          | 2          | FR63         | LIFT PIPE CONNECTOR                        |
| 16          | 2          | 83169        | LIFT PIPE                                  |
| 17          | 2          | HD128        | BUSHING                                    |
| 18          | 2          | YNHX24004    | NUT HEX, 3/4 G5                            |
| 19          | 2          | YWSI24005    | WASHER, LOCK, STAR, INTERNAL/EXTERNAL, 3/4 |
| 20          | 2          | HD157        | PIVOT WASHER                               |
| 21          | 2          | FR54         | PIVOT SPINDLE FRONT                        |
| 22          | 4          | HD124        | SEAL                                       |
| 23          | 4          | HD121        | WASHER                                     |
| 24          | 4          | YNSL28005    | NUT HEX SLOTTED, 7/8                       |
| 25          | 4          | YPCT05010    | COTTER PIN, 5/32 X 1-1/2                   |
| 26          | 4          | 17G144       | HUB CAP                                    |
| 27          | 1          | FR6          | RAKE ARM RH                                |
| *           | 1          | FR7          | RAKE ARM LH                                |
| 28          | 40         | FR73         | RAKE WHEEL TOOTH                           |
| 29          | 4          | FR29         | TRANSPORT POST                             |
| 30          | 4          | YBHH12035    | BOLT HEX, 3/8 X 1-1/4 G5                   |
| 31          | 2          | FR58         | CHAIN (15 LINKS)                           |
| 32          | 2          | 8771         | RAKE WHEEL SPRING                          |
| 33          | 2          | FR24         | RAKE WHEEL HUB                             |
| 34          | 40         | YBCR76005    | BOLT CARRIAGE, 10MM X 25MM                 |
| 35          | 20         | FR74         | RAKE TOOTH CLIP                            |
| 36          | 2          | FR72         | RAKE WHEEL OUTER RING                      |
| 37          | 2          | FR71         | RAKE WHEEL CENTER                          |
| 38          | 40         | YNHX76015    | NUT HEX, M10-1.5                           |
| 39          | 12         | YBHH12035    | BOLT HEX, 3/8 X 1-1/4 G5                   |
| 40          | 8          | 58714        | RACE                                       |
| 41          | 4          | YBHH20110    | BOLT, 5/8 X 8                              |
| 42          | 1          | FR66         | JACK STORAGE HOLDER                        |
| 43          | 1          | FR29         | TRANSPORT POST                             |

\*MEANS NOT SHOWN

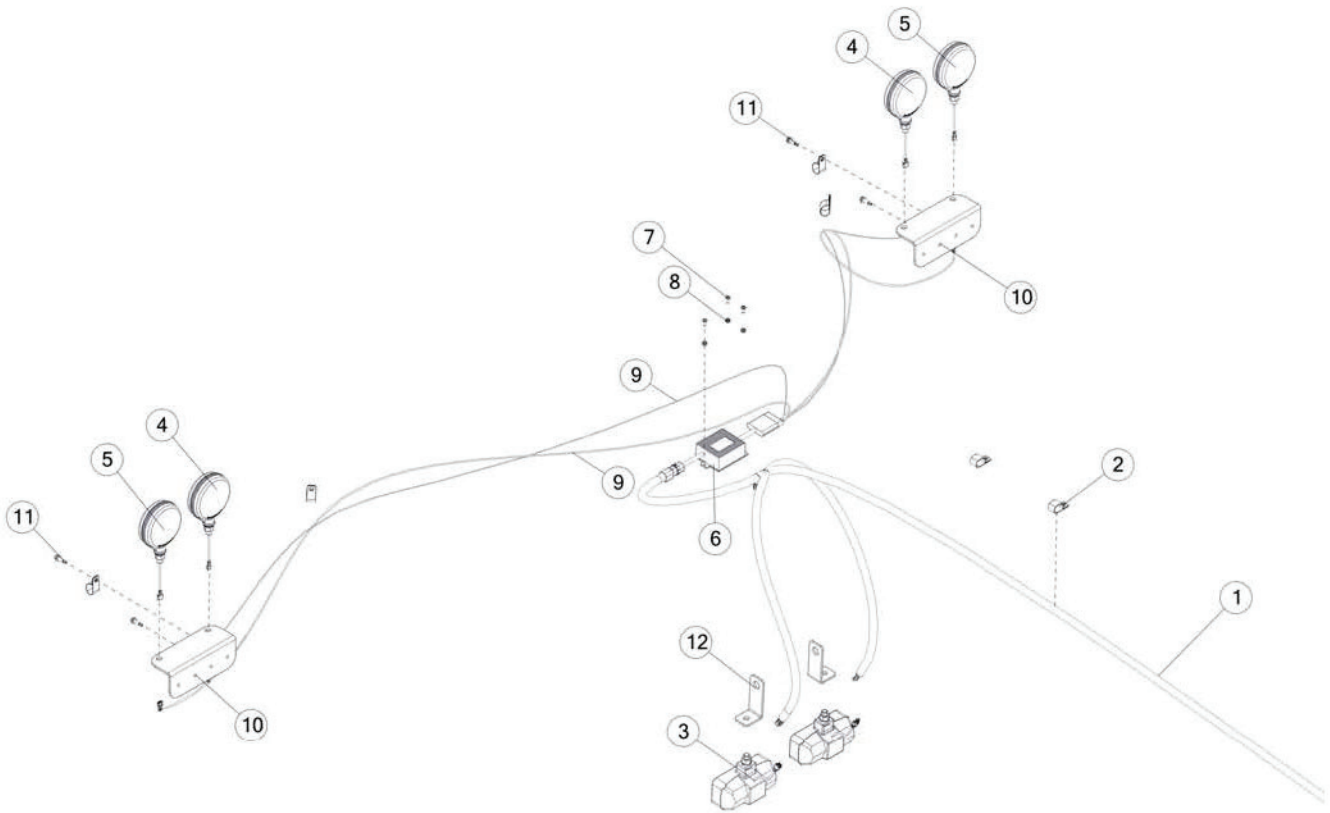
**FIGURE 16**  
**WIND GUARD**



**FIGURE 16**  
**WIND GUARD**

| <b><u>ITEM</u></b> | <b><u>QTY</u></b> | <b><u>PART#</u></b> | <b><u>DESCRIPTION</u></b>          |
|--------------------|-------------------|---------------------|------------------------------------|
| 1                  | 1                 | 59039               | POLY WIND GUARD, FOR 60 RAKE WHEEL |
| 2                  | 16                | CIZT105             | ZIPTIE                             |

# FIGURE 17 OPTIONAL LIGHTING

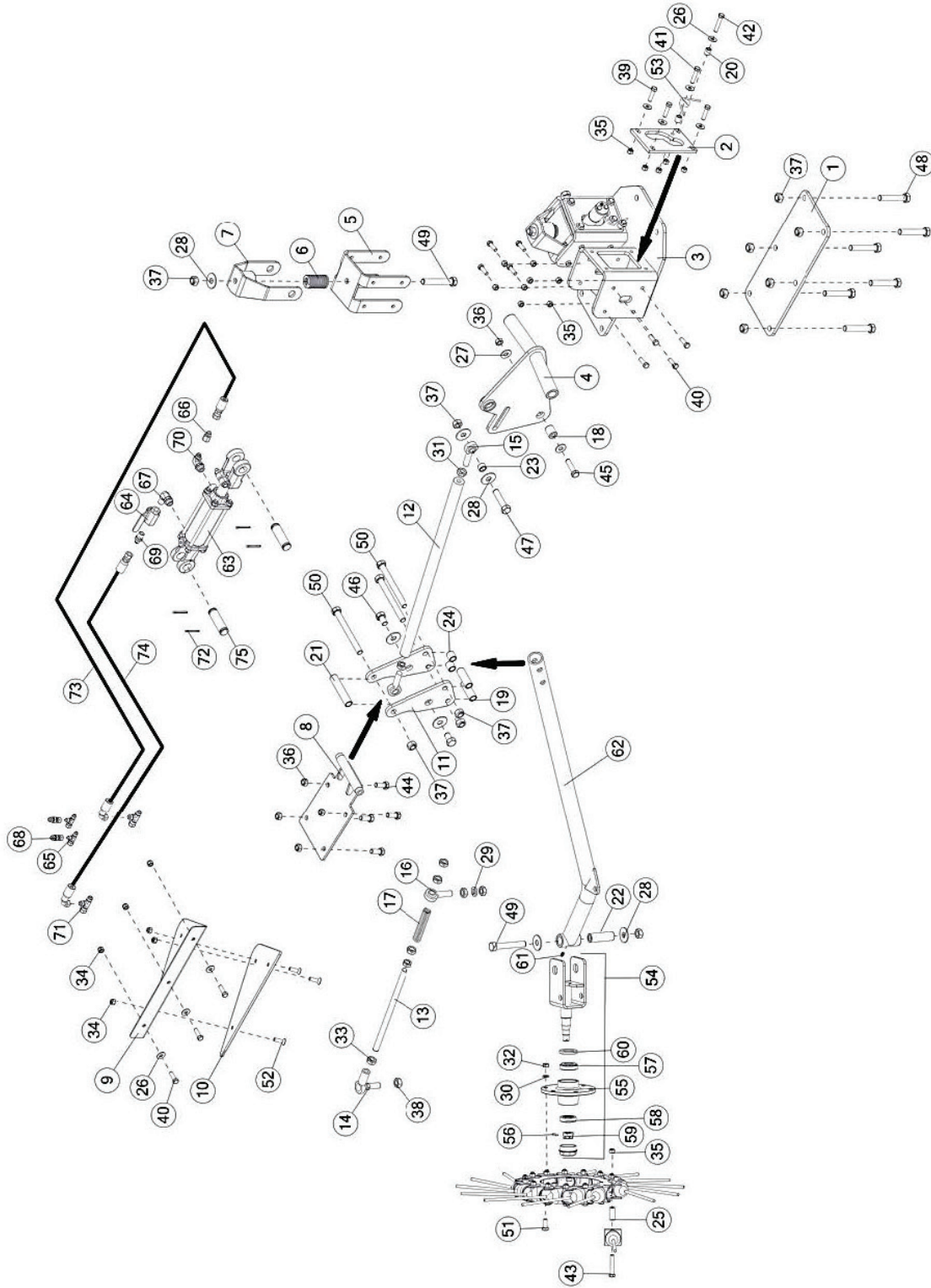




## FIGURE 17 OPTIONAL LIGHTING

| <u>ITEM</u> | <u>QTY</u> | <u>PART#</u> | <u>DESCRIPTION</u>               |
|-------------|------------|--------------|----------------------------------|
| 1           | 1          | 60537        | MAIN HARNESS                     |
| 2           | 8          | HGV72        | CUSHION WIRE CLAMP               |
| 3           | 2          | DWM130       | FLOODLIGHT - WORKING LIGHT       |
| 4           | 2          | BFR675       | RED LIGHT                        |
| 5           | 2          | DWM129       | YELLOW HAZARD THIN LIGHT 2-WAY   |
| 6           | 1          | S441         | LIGHT MODULE                     |
| 7           | 3          | YSPP64005    | PHILLIPS PAN HEAD TYPE, 10 X 1/2 |
| 8           | 3          | YNNY62005    | HEX, NYLON INSERT LOCKNUT, 8     |
| 9           | 1          | FR2          | RAKE HARNESS BACK                |
| 10          | 2          | 67811        | LIGHT BRACKET BACK               |
| 11          | 4          | YSDR08005    | SCREW HEX, WASHER HEAD, 1/4 X 1  |
| 12          | 2          | BFR675       | LIGHT BRACKETS                   |

# FIGURE 18 OPTIONAL KICKER WHEEL

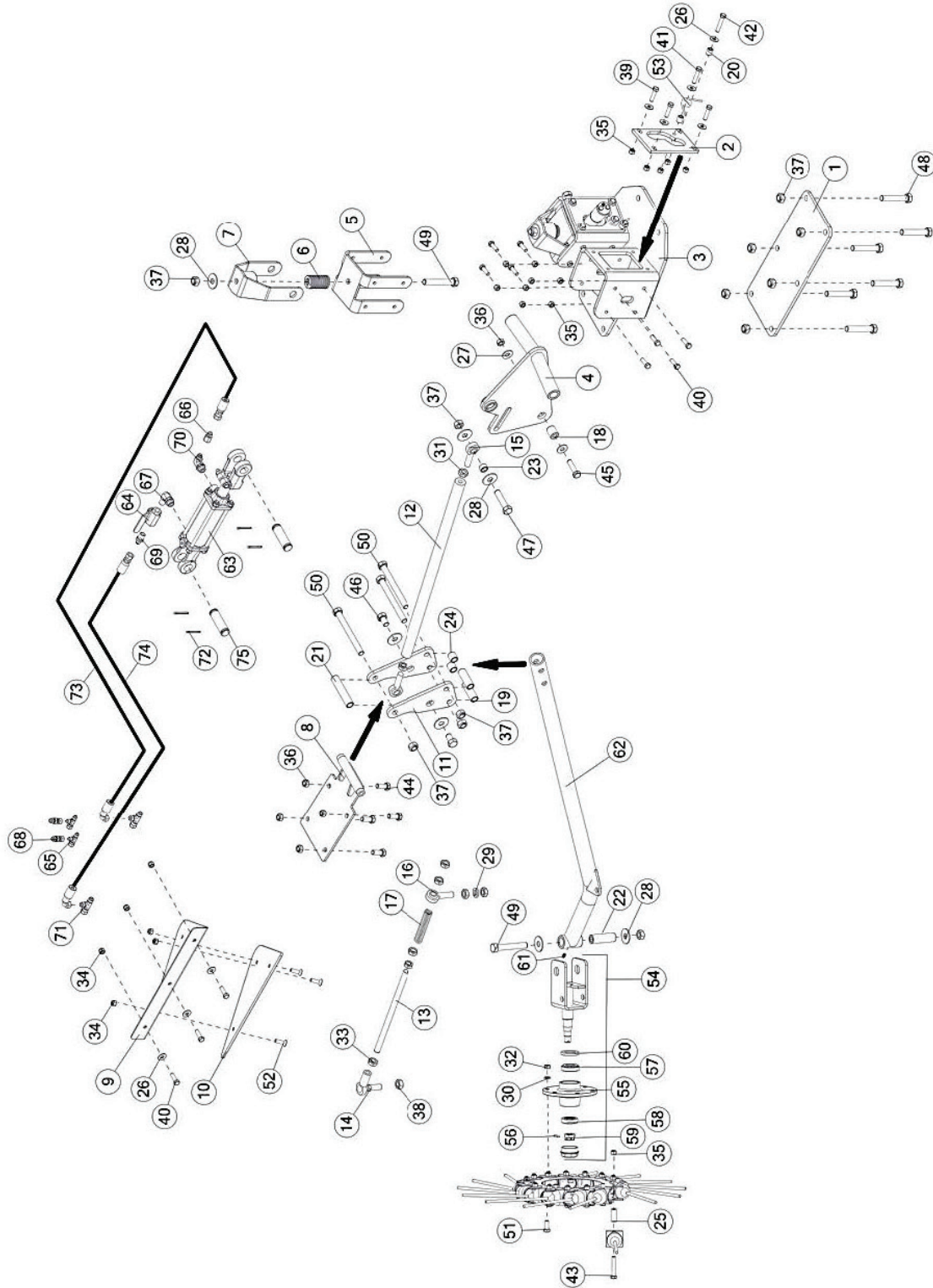


## FIGURE 18

### OPTIONAL KICKER WHEEL

| <u>ITEM</u> | <u>QTY</u> | <u>PART#</u> | <u>DESCRIPTION</u>          |
|-------------|------------|--------------|-----------------------------|
| 1           | 1          | 71496        | PLATE                       |
| 2           | 2          | 71526        | PLATE                       |
| 3           | 1          | 71486        | KICKER MAIN                 |
| 4           | 1          | 71495        | KICKER BELL                 |
| 5           | 2          | 71500        | SPRING BASE BRACKET         |
| 6           | 2          | 71574        | DIE SPRING                  |
| 7           | 2          | 71534        | SPRING YOKE                 |
| 8           | 1          | 71521        | PIVOT                       |
| 9           | 1          | 71185        | KICKER DEFLECTOR BRACKET    |
| 10          | 1          | 71192        | POLY DEFLECTOR PANEL, 1/4   |
| 11          | 2          | 71522        | PLATE                       |
| 12          | 1          | 71601        | TUBE                        |
| 13          | 1          | 71618        | ALLTHREAD, 5/8 X 12.5       |
| 14          | 1          | 71599        | BALL JOINT BEARING, 5/8     |
| 15          | 1          | 71593        | ROD END BEARING, 5/8 LH     |
| 16          | 2          | 71594        | ROD END BEARING, 5/8 RH     |
| 17          | 1          | 71296        | SPRING                      |
| 18          | 1          | 71487        | BUSHING                     |
| 19          | 2          | 71548        | STEEL BUSHING               |
| 20          | 2          | 71568        | TUBE                        |
| 21          | 1          | 71577        | STEEL BUSHING               |
| 22          | 1          | 71584        | BUSHING                     |
| 23          | 1          | 71605        | STEEL BUSHING               |
| 24          | 2          | 71536        | STEEL BUSHING               |
| 25          | 1          | 70807        | TUBE                        |
| 26          | 8          | YWFL12005    | WASHER FLAT, 3/8            |
| 27          | 2          | YWFL16005    | WASHER FLAT, 1/2            |
| 28          | 4          | YWFL20005    | WASHER FLAT, 5/8            |
| 29          | 1          | YWLO20005    | WASHER LOCK, 5/8            |
| 30          | 6          | YWLO76015    | WASHER LOCK, M10            |
| 31          | 2          | YNJM20011    | NUT HEX, 5/8 G5             |
| 32          | 6          | YNHX76015    | NUT HEX, M10-1.5            |
| 33          | 8          | YNJM20010    | NUT HEX, JAM, 5/8           |
| 34          | 6          | YNNY12005    | NUT HEX, NYLON LOCKNUT, 3/8 |
| 35          | 24         | YNTL12005    | NUT HEX, TOP LOCK, 3/8      |
| 36          | 5          | YNTL16005    | NUT HEX, TOP LOCK, 1/2      |
| 37          | 12         | YNTL20005    | NUT HEX, TOP LOCK, 5/8      |
| 38          | 1          | YNTL20006    | NUT HEX, TOP LOCK, 5/8      |
| 39          | 6          | YBHH12025    | BOLT HEX, 3/8 X 1-1/2 G5    |
| 40          | 11         | YBHH12035    | BOLT HEX, 3/8 X 1-1/4 G5    |
| 41          | 2          | YBHH12060    | BOLT HEX, 3/8 X 1-3/4 G5    |
| 42          | 2          | YBHH12075    | BOLT HEX, 3/8 X 2 G5        |
| 43          | 15         | YBHH12100    | BOLT HEX, 3/8 X 2-1/4 G5    |
| 44          | 4          | YBHH16045    | BOLT HEX, 1/2 X 1-1/4 G5    |
| 45          | 1          | YBHH16065    | BOLT HEX, 1/2 X 2 G5        |

# FIGURE 18 OPTIONAL KICKER WHEEL



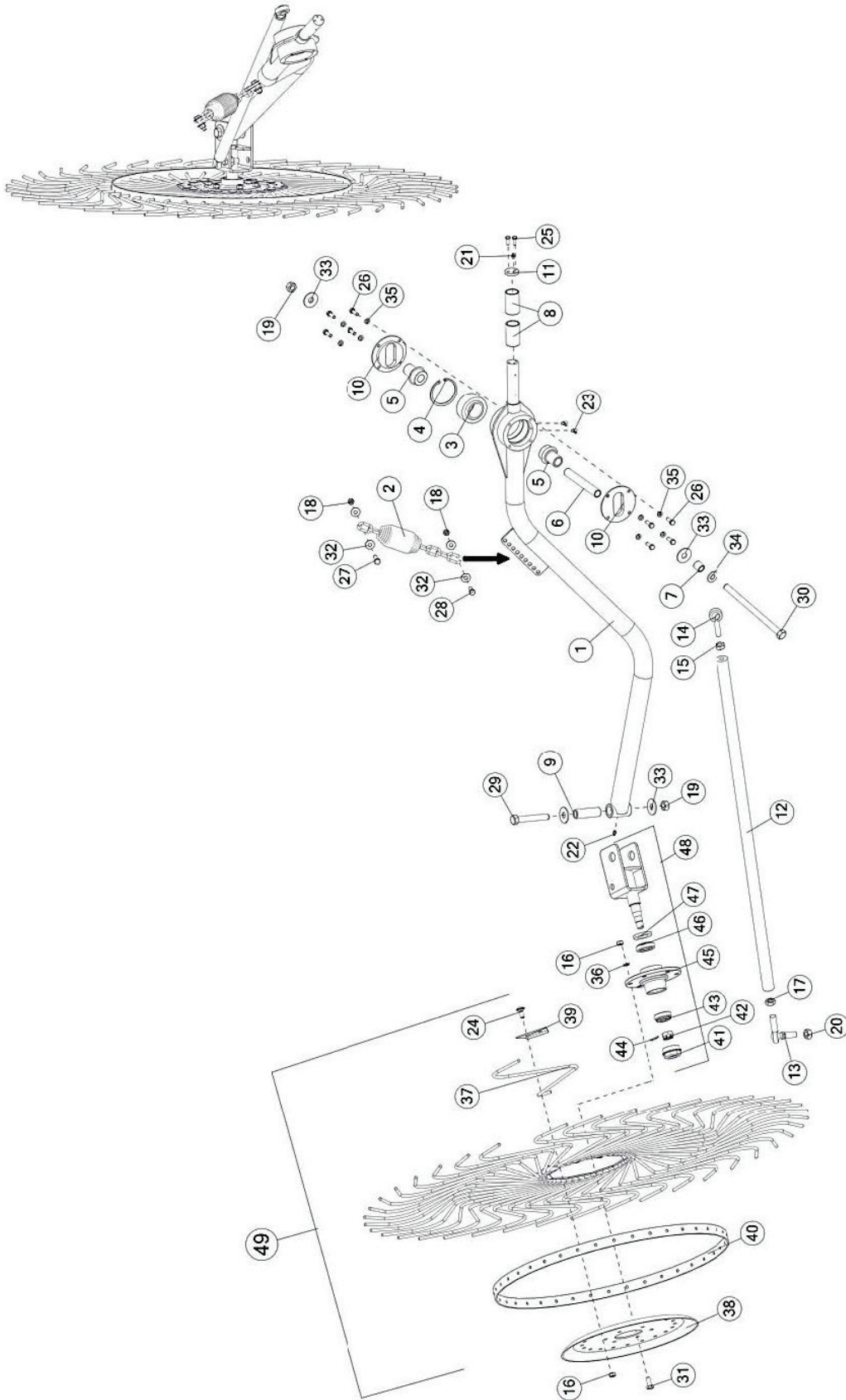
## FIGURE 18

### OPTIONAL KICKER WHEEL

| <u>ITEM</u> | <u>QTY</u> | <u>PART#</u> | <u>DESCRIPTION</u>                               |
|-------------|------------|--------------|--|
| 46          | 2          | YBHH20005    | BOLT HEX, 5/8 X 1 G5                             |
| 47          | 1          | YBHH20045    | BOLT HEX, 5/8 X 2-3/4 G5                         |
| 48          | 6          | YBHH20055    | BOLT HEX, 5/8 X 3-1/2 G5                         |
| 49          | 2          | YBHH20065    | BOLT HEX, 5/8 X 4 G5                             |
| 50          | 3          | YBHH20103    | BOLT HEX, 5/8 X 6-1/2 G5                         |
| 51          | 6          | YBHH76015    | BOLT HEX, SCREW, M10, 1.5, 25MM, 10.9            |
| 52          | 3          | YSFS12005    | SCREW FLAT, HEAD SOCKET CAP, 3/8 X 1-1/4         |
| 53          | 2          | 71570        | TORSION SPRING                                   |
| 54          | 1          | 71581        | SPINDLE B  |
| 55          | 1          | 1086         | RAKE WHEEL HUB                                   |
| 56          | 1          | 1088         | RETAINING CLIP                                   |
| 57          | 1          | 600012       | TAPER BEARING                                    |
| 58          | 1          | 600014       | TAPER BEARING                                    |
| 59          | 1          | T172         | NUT HEX, CASTLE, 18MM - 1.5 G2                   |
| 60          | 1          | T163         | SEAL   |
| 61          | 1          | MS26         | SHORT SHANK ZERK (STRAIGHT)                      |
| 62          | 1          | 71529        | CENTER POLE                                      |
| 63          | 1          | 70797        | CYL, HYD, 10.2 X 14.2                            |
| *           | 1          | 72160        | CYLINDER TIE ROD                                 |
| *           | 1          | 72161        | SEAL KIT   |
| 64          | 1          | 16SV338      | BALL VALVE, 3/8                                  |
| 65          | 2          | 58101        | FITTING 4 R6X-S                                  |
| 66          | 1          | 58142        | FITTING 6 XHX7-S .031 ORIFICE                    |
| 67          | 1          | 70158        | FTG,90,3/4ORB,3/8NPT,STL                         |
| 68          | 2          | 71802        | FTG, ST, 6 MALE JIC, 4 FEMALE JIC, STL, EXPANDER |
| 69          | 1          | CHM202       | 3/8 MALE NPT TO -6 MALE JIC                      |
| 70          | 1          | CHM206       | 06 90 DEG TO 3/4-16 ORB FITTING                  |
| 71          | 2          | CHM242       | SWIVEL RUN TEE 6-R6X-S FITTING                   |
| 72          | 4          | YPCT05010    | COTTER PIN 5/32 X 1-1/2                          |
| 73          | 1          | 71780        | HYDRAULIC HOSE, 6, 201, 6 JIC, 6 JIC             |
| 74          | 1          | 71778        | HYDRAULIC HOSE, 6, 193, 6 JIC, 6 JIC             |
| 75          | 2          | T143         | HYDRAULIC CYLINDER PIN                           |

\*MEANS NOT SHOWN

# FIGURE 18 OPTIONAL KICKER WHEEL





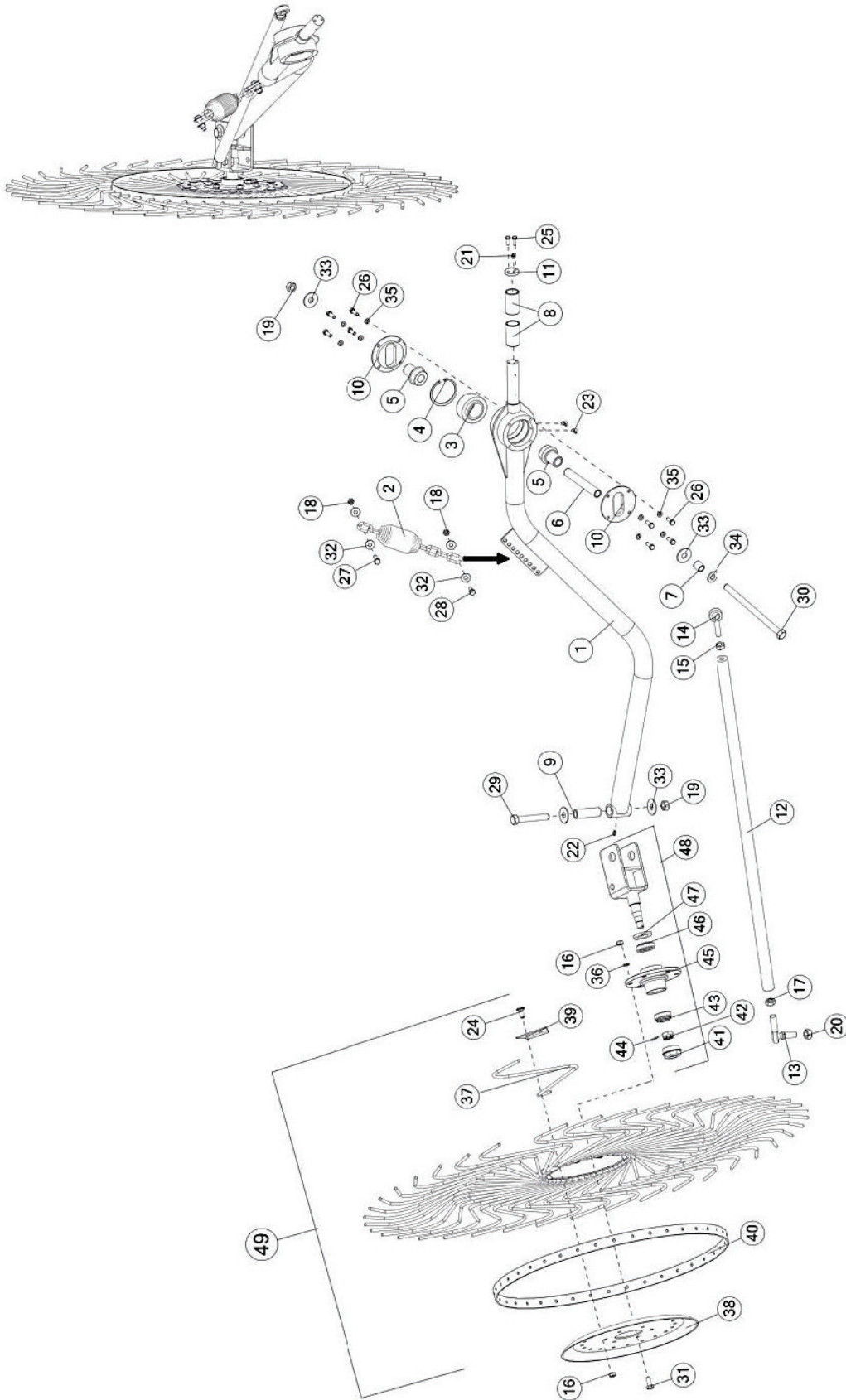
## FIGURE 18

### OPTIONAL KICKER WHEEL

| <u>ITEM</u> | <u>QTY</u> | <u>PART#</u> | <u>DESCRIPTION</u>             |
|-------------|------------|--------------|--------------------------------|
| 1           | 1          | 71558        | POLE RH                        |
| *           | 1          | 71560        | POLE LH                        |
| 2           | 2          | 8771         | RAKE WHEEL SPRING              |
| 3           | 2          | 71553        | BEARING                        |
| 4           | 2          | 71608        | SNAP RING                      |
| 5           | 2          | 71550        | STEEL BUSHING                  |
| 6           | 2          | 71535        | BUSHING                        |
| 7           | 2          | 71536        | STEEL BUSHING                  |
| 8           | 4          | 71563        | BUSHING                        |
| 9           | 2          | 71584        | BUSHING                        |
| 10          | 4          | 71562        | PLATE                          |
| 11          | 2          | 71993        | KEEPER PLATE                   |
| 12          | 2          | 71600        | TIE ROD SHAFT                  |
| 13          | 2          | 71598        | BALL JOINT BEARING, 5/8        |
| 14          | 2          | 71593        | ROD END BEARING, 5/8 LH        |
| 15          | 2          | YNJM20011    | NUT HEX, JAM, 5/8 G5           |
| 16          | 52         | YNHX76015    | NUT HEX, M10-1.5               |
| 17          | 2          | YNJM20010    | NUT HEX, JAM, 5/8              |
| 18          | 4          | YNTL12005    | NUT HEX, TOP LOCK, 3/8         |
| 19          | 4          | YNTL20005    | NUT HEX, TOP LOCK, 5/8         |
| 20          | 2          | YNTL20006    | NUT LOCK, 5/8                  |
| 21          | 2          | G89          | STRAIGHT ZERK, 1/4 - 28 X 90   |
| 22          | 2          | MS26         | SHORT SHANK ZERK (STRAIGHT)    |
| 23          | 4          | RG51         | GREASE ZERK, 1/4-28, 90 DEGREE |
| 24          | 20         | YBCR76005    | BOLT CARRIAGE, 10MM X 25MM     |
| 25          | 4          | YBHH08102    | BOLT HEX, 1/4 X 3/4 G8         |
| 26          | 16         | YBHH10105    | BOLT HEX, 5/16 X 3/4 G5        |
| 27          | 2          | YBHH12025    | BOLT HEX, 3/8 X 1-1/2 G5       |
| 28          | 2          | YBHH12035    | BOLT HEX, 3/8 X 1-1/4 G5       |
| 29          | 2          | YBHH20065    | BOLT HEX, 5/8 X 4 G5           |
| 30          | 2          | YBHH20120    | BOLT HEX, 5/8 X 9 G5           |
| 31          | 12         | YBHH76015    | BOLT HEX, M10-1.5 (25MM)       |
| 32          | 4          | YWFL12005    | WASHER FLAT, 3/8               |
| 33          | 8          | YWFL20005    | WASHER FLAT, 5/8               |
| 34          | 2          | YWFL20010    | WASHER FLAT, 5/8               |
| 35          | 16         | YWLO10005    | WASHER LOCK, 5/16              |
| 36          | 12         | YWLO76015    | WASHER LOCK, M10               |
| 37          | 80         | 10WR42       | RAKE WHEEL TOOTH, 49 IN BLACK  |
| 38          | 2          | FR71         | RAKE WHEEL CENTER              |
| 39          | 10         | FR74         | RAKE TOOTH CLIP                |
| 40          | 2          | T177A        | RAKE WHEEL OUTER RING          |
| 41          | 2          | T173         | HUB CAP                        |
| 42          | 2          | T172         | NUT HEX, CASTLE, 18MM - 1.5 G2 |
| 43          | 2          | 600014       | TAPER BEARING                  |
| 44          | 2          | 1088         | RETAINING CLIP                 |
| 45          | 2          | 1086         | RAKE WHEEL HUB                 |

\*MEANS NOT SHOWN

# FIGURE 18 OPTIONAL KICKER WHEEL



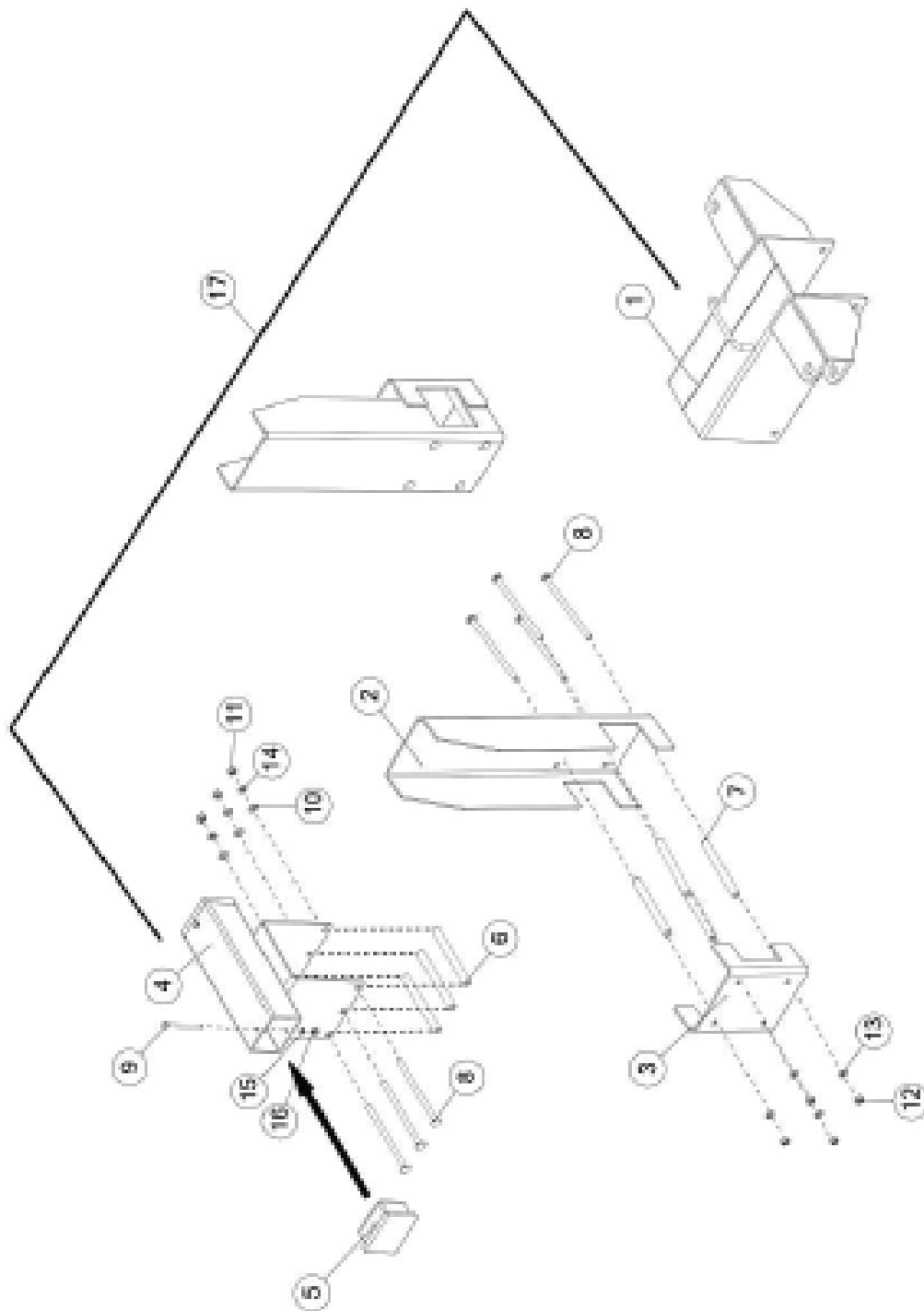


**FIGURE 18**  
**OPTIONAL KICKER WHEEL**

| <u>ITEM</u> | <u>QTY</u> | <u>PART#</u> | <u>DESCRIPTION</u>  |
|-------------|------------|--------------|---------------------|
| 46          | 2          | 600012       | TAPER BEARING       |
| 47          | 2          | T163         | SEAL                |
| 48          | 2          | 71580        | SPINDLE A           |
| 49          | 1          | 10WR17       | RAKE WHEEL 49 IN LH |
| *           | 1          | 71622        | RAKE WHEEL 49 IN RH |

**\*MEANS NOT SHOWN**

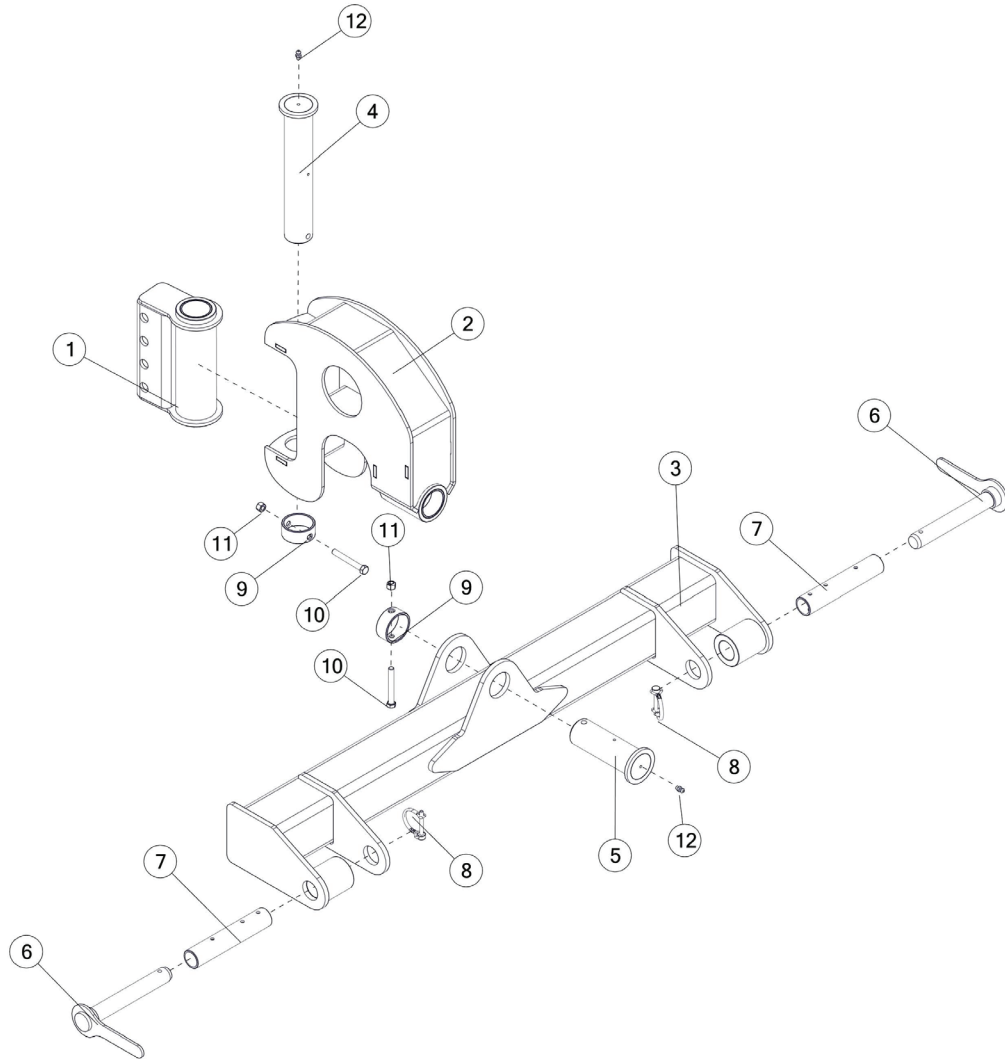
**FIGURE 19**  
**OPTIONAL BUMPER KIT**



**FIGURE 19**  
**OPTIONAL BUMPER KIT**

| <b><u>ITEM</u></b> | <b><u>QTY</u></b> | <b><u>PART#</u></b> | <b><u>DESCRIPTION</u></b>   |
|--------------------|-------------------|---------------------|-----------------------------|
| 1                  | 1                 | 76465               | LINKAGE SLIDER FRONT        |
| 2                  | 2                 | 75574               | RAKE ARM BUMPER PLATE       |
| 3                  | 2                 | 75575               | RAKE BUMPER BACK PALET      |
| 4                  | 1                 | 76478               | BUMPER                      |
| 5                  | 2                 | 75763               | BLACK PLUG, UHMW, 3 X 4 X 2 |
| 6                  | 3                 | 76467               | SPACER TUBE                 |
| 7                  | 8                 | 75576               | SPACER TUBE                 |
| 8                  | 11                | YBCR12130           | BOLT CARRIAGE, 3/8 X 7 G2   |
| 9                  | 2                 | YBHH08092           | BOLT HEX, 1/4 X 3-1/2 G5    |
| 10                 | 11                | YNHX12005           | NUT HEX, 3/8                |
| 11                 | 11                | YWLO12005           | WASHER LOCK, 3/8            |
| 12                 | 2                 | YWLO08005           | WASHER LOCK, 1/4            |
| 13                 | 2                 | YNHX08007           | NUT HEX, 1/4 G5             |
| 14                 | 1                 | 76469               | BUMPER KIT                  |

# FIGURE 20 OPTIONAL 2-POINT HITCH



**FIGURE 20**  
**OPTIONAL 2-POINT HITCH**

| <u>ITEM</u> | <u>QTY</u> | <u>PART#</u> | <u>DESCRIPTION</u>           |
|-------------|------------|--------------|------------------------------|
| 1           | 1          | 78515        | HINGING HITCH MOUNT          |
| 2           | 1          | 78564        | PIVOT HITCH                  |
| 3           | 1          | 78531        | TWO POINT HITCH              |
| 4           | 1          | 78556        | HITCH PIVOT PIN              |
| 5           | 1          | 78560        | HITCH PIVOT PIN              |
| 6           | 2          | PTMWE65      | HITCH PIN                    |
| 7           | 2          | PTMTU56      | ADAPTER TUBE                 |
| 8           | 2          | DWM324       | SNAPPER PIN                  |
| 9           | 2          | 78558        | RETAINING COLLAR PIN         |
| 10          | 2          | YBHH12125    | BOLT HEX, 3/8 X 3 G5         |
| 11          | 2          | YNL12005     | NUT HEX, 3/8                 |
| 12          | 2          | G89          | STRAIGHT ZERK, 1/4 - 28 X 90 |



## CHANGE NOTES

1. Replace BFR611 WITH 67416, FIGURE 2.
2. Replace YSST10005 WITH YBFB10002, FIGURE 2.
3. Replace HD121 WITH YWFL28010, FIGURE 10.
4. Replace 58714 WITH 3G18, FIGURE 10
5. Replace YBHH10010 WITH YBHH10105, FIGURE 18

**H&S MFG. CO.**

products approved

for the

**FEMA**

**SEAL OF QUALITY**

