



PARTS BOOK

HC7116

HI-CAPACITY RAKE

Part #82875

Rev. #08

HSMFG120523

Starting Ser. #421HCD6001



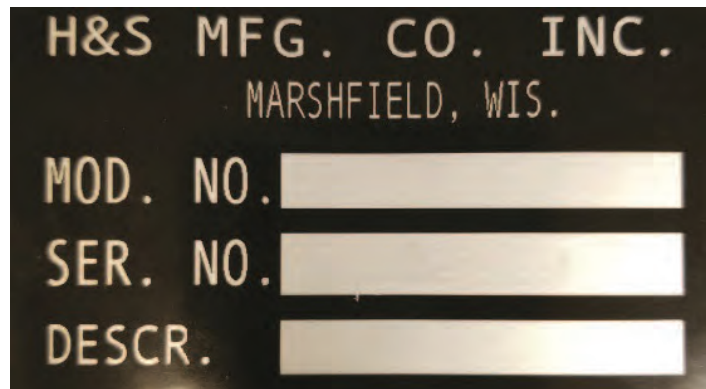
INSTRUCTIONS FOR ORDERING PARTS

All service parts should be ordered through your authorized H&S dealer. He will be able to give you faster service if you will provide them with the following:

1. Model & Serial Number - Both can be located on the left side of the rear frame.
2. All references to left or right apply to the machine as viewed from the rear.
3. Parts should not be ordered from illustration only. Please order complete part number.
4. If your dealer has to order parts - give shipping instructions:

VIA truck - large pieces (please specify local truck lines)

VIA United Parcel Service (include full address)



PLEASE RECORD NUMBERS FOR YOUR UNIT FOR QUICK REFERENCE

ABOUT IMPROVEMENTS

H&S IS CONTINUALLY STRIVING TO IMPROVE ITS PRODUCTS

We must, therefore, reserve the right to make improvements or changes whenever it becomes practical to do so, without incurring any obligation to make changes or additions to the equipment previously sold.





FIGURE 1
FRONT POLE & COMPONENTS

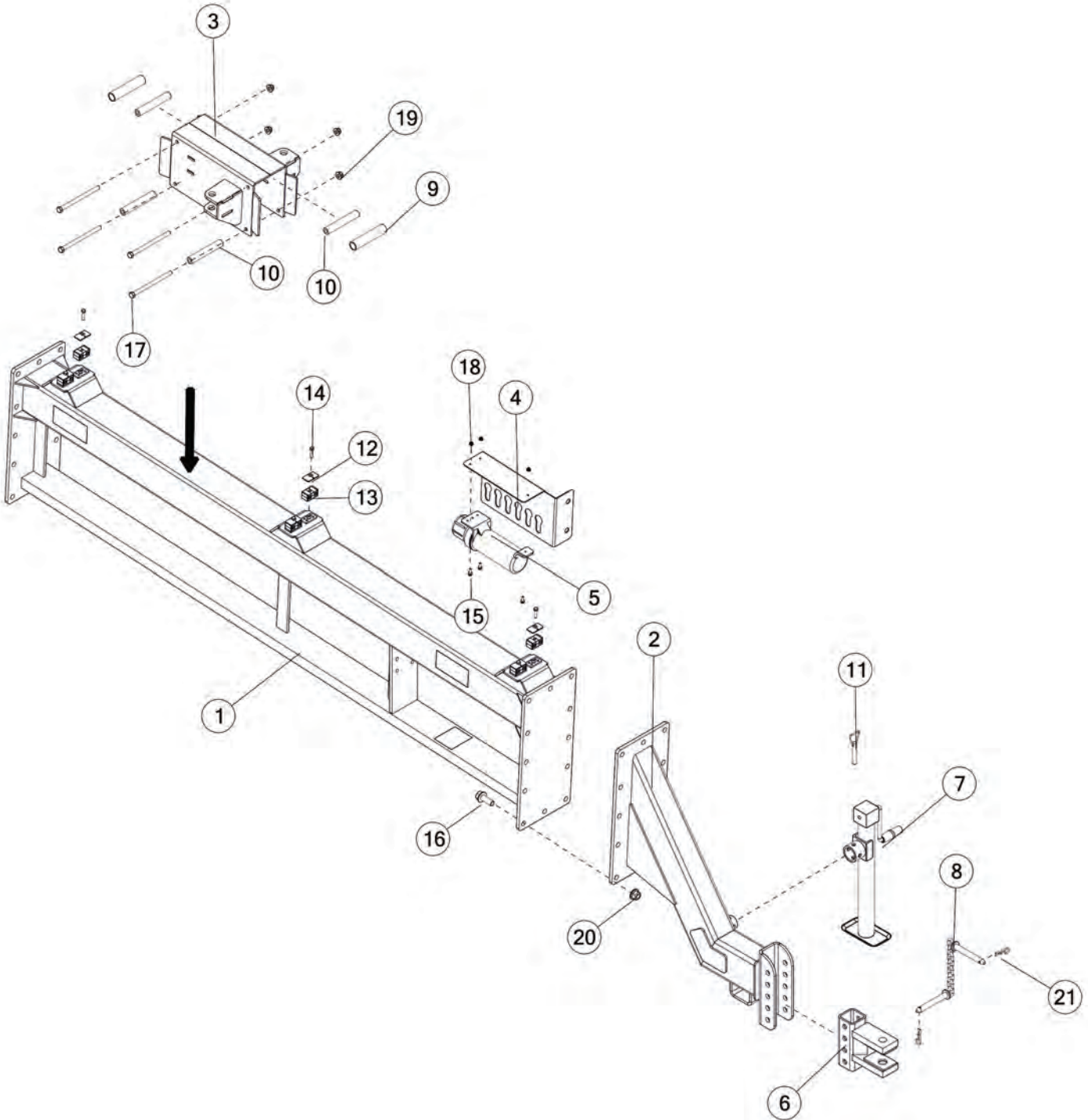




FIGURE 2

TRANSPORT LOCK & COMPONENTS

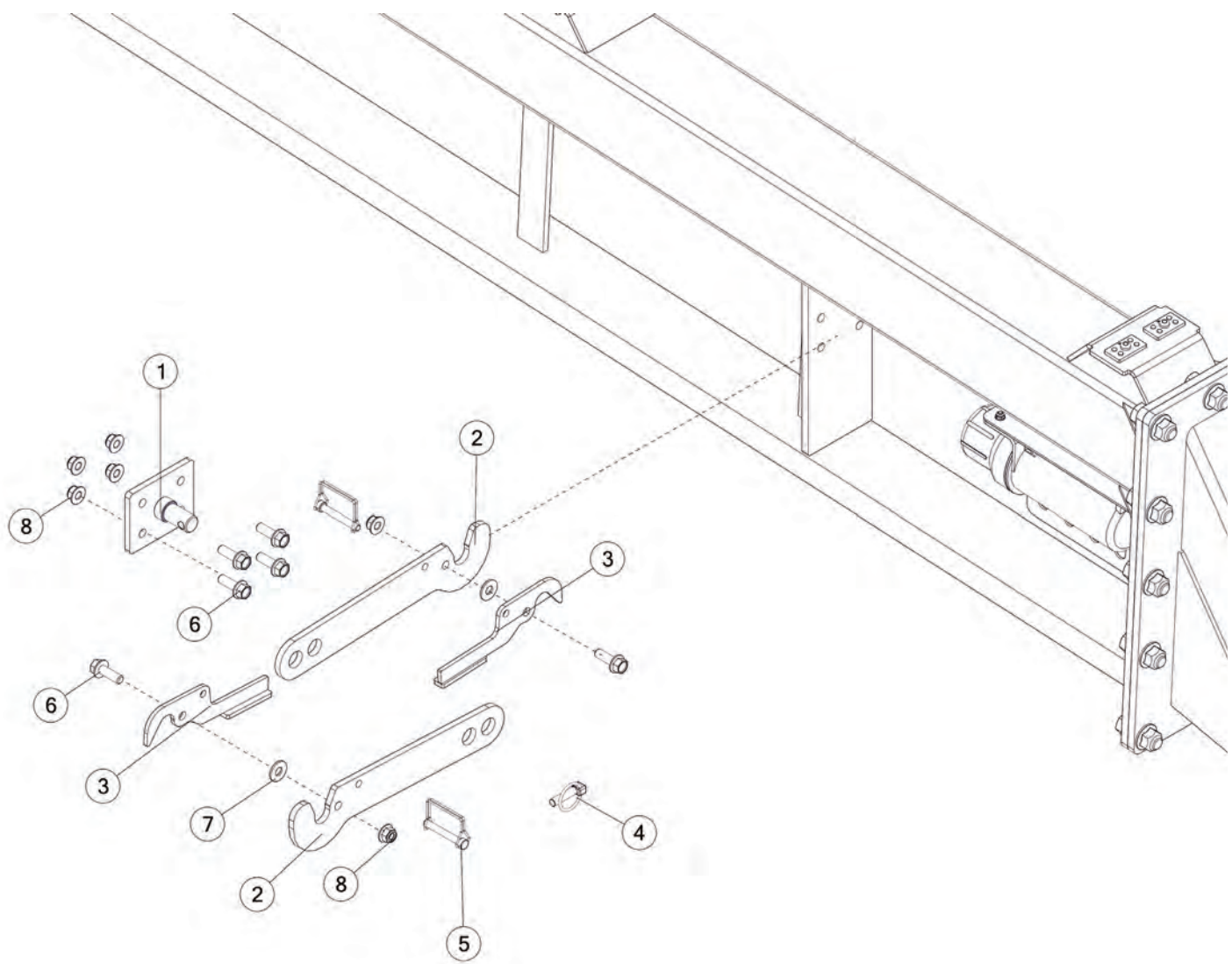




FIGURE 3 CENTER POLE & SLIDER

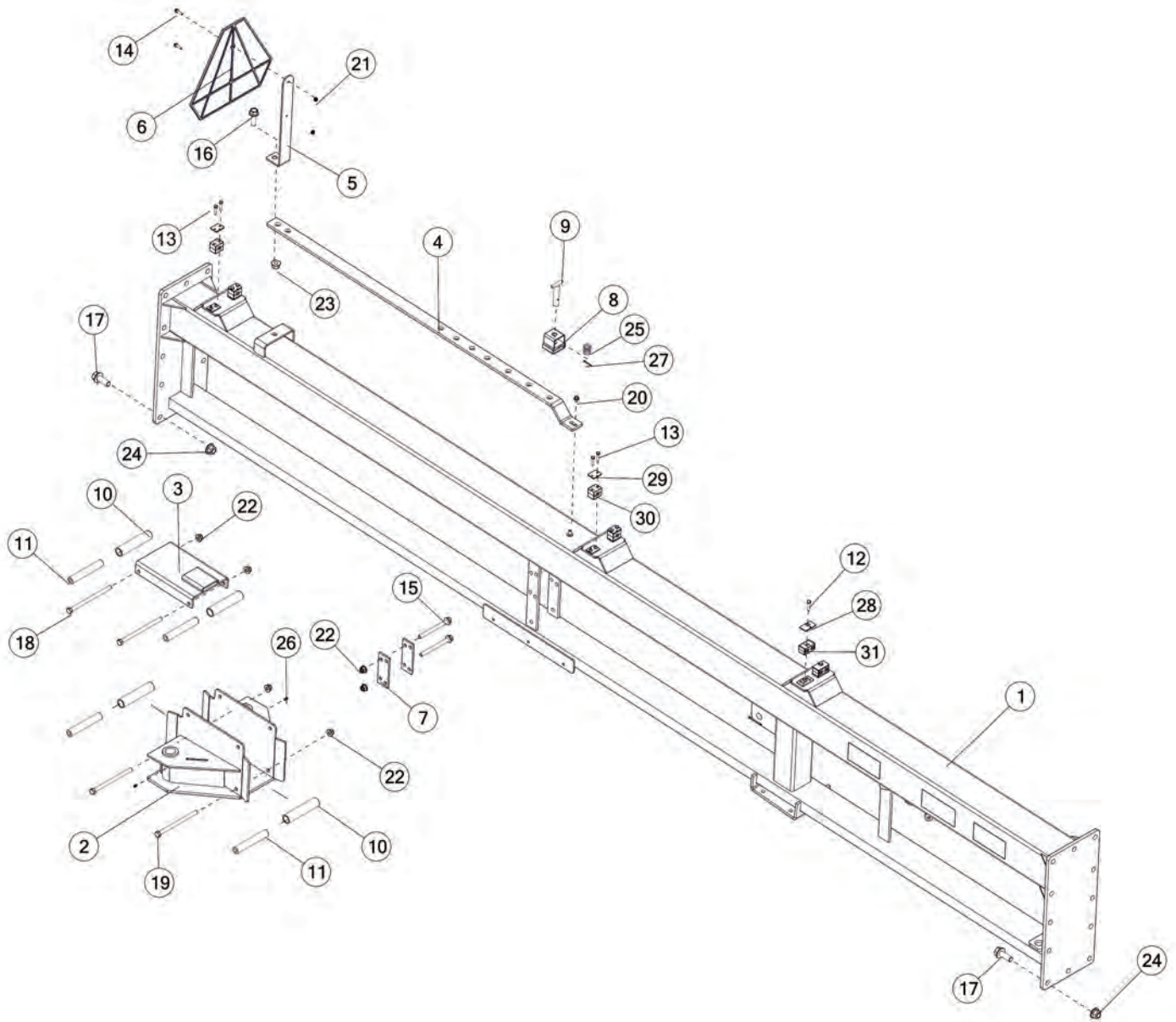


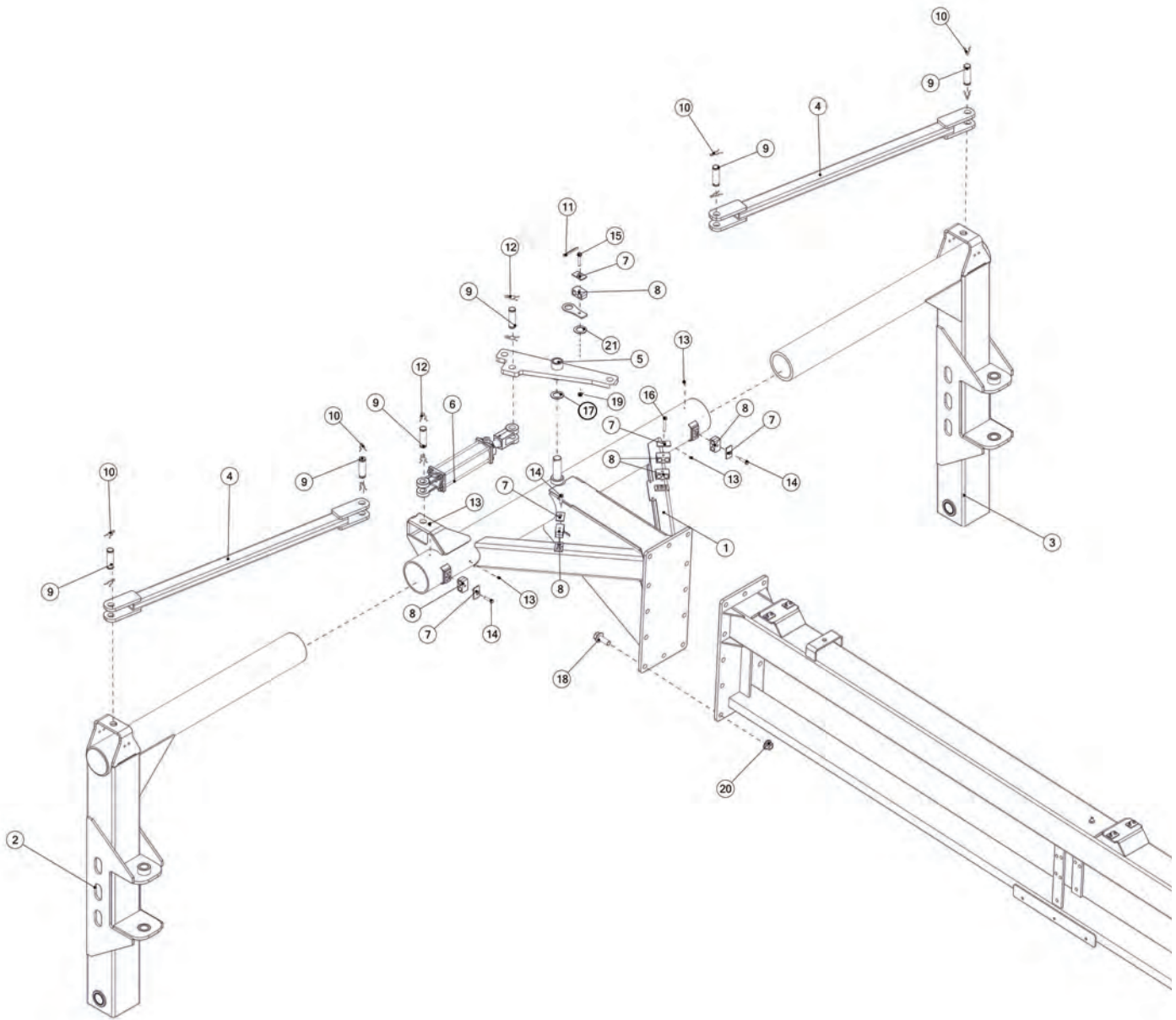


FIGURE 3

CENTER POLE & SLIDER

REF #	PART #	DESCRIPTION	QTY
1	80925B	REAR POLE W/DECALS	1
2	81056	BACK LINKAGE SLIDER	1
3	81192	WIDTH ADJUSTMENT STOP	1
4	67416	WIDTH ADJUSTMENT BAR	1
5	63408	SMV BRACKET	1
6	BFR723	SMV SIGN	1
7	58692	SPACER	2
8	BFR239	SLEEVE LOCK ADJUSTMENT	1
9	BFR241	ADJUSTMENT HANDLE	1
10	58297	SLIDER ROLLER BACK	4
11	58298	SLIDER SPACER	4
12	72246	CLAMP BOLT, 5/16 X 2-3/8	2
13	YBHH08070	BOLT HEX, 1/4 X 2-3/4 G5	8
14	YBFB08100	BOLT FLANGE, 1/4 X 1 G5	2
15	YBFB16550	BOLT FLANGE, 1/2 X 5-1/2 G5	2
16	YBFB20200	BOLT FLANGE, 5/8 X 2 G5	1
17	YBFB24200	BOLT FLANGE, 3/4 X 2 G5	12
18	YBHH16182	BOLT HEX, 1/2 X 8 G5	2
19	YBHH16184	BOLT HEX, 1/2 X 7-1/2 G5	2
20	YBFB10002	BOLT FLANGE, 5/16 X 1/2 G5	1
21	YNFG08010	NUT FLANGE, 1/4	2
22	YNFG16003	NUT FLANGE, 1/2	4
23	YNFG20005	NUT FLANGE, 5/8 LKTL	1
24	YNFG24006	NUT HEX FLANGE TOP LOCK, 3/4	12
25	BFR240	SPRING	1
26	G89	STRAIGHT ZERK, 1/4-28 X 90	2
27	YPCT05005	COTTER PIN, 5/32 X 1	1
28	56563	CLAMP PLATE	2
29	56565	CLAMP COVER	4
30	56624	HOSE CLAMP	8
31	TS118	CLAMP BLOCK	4





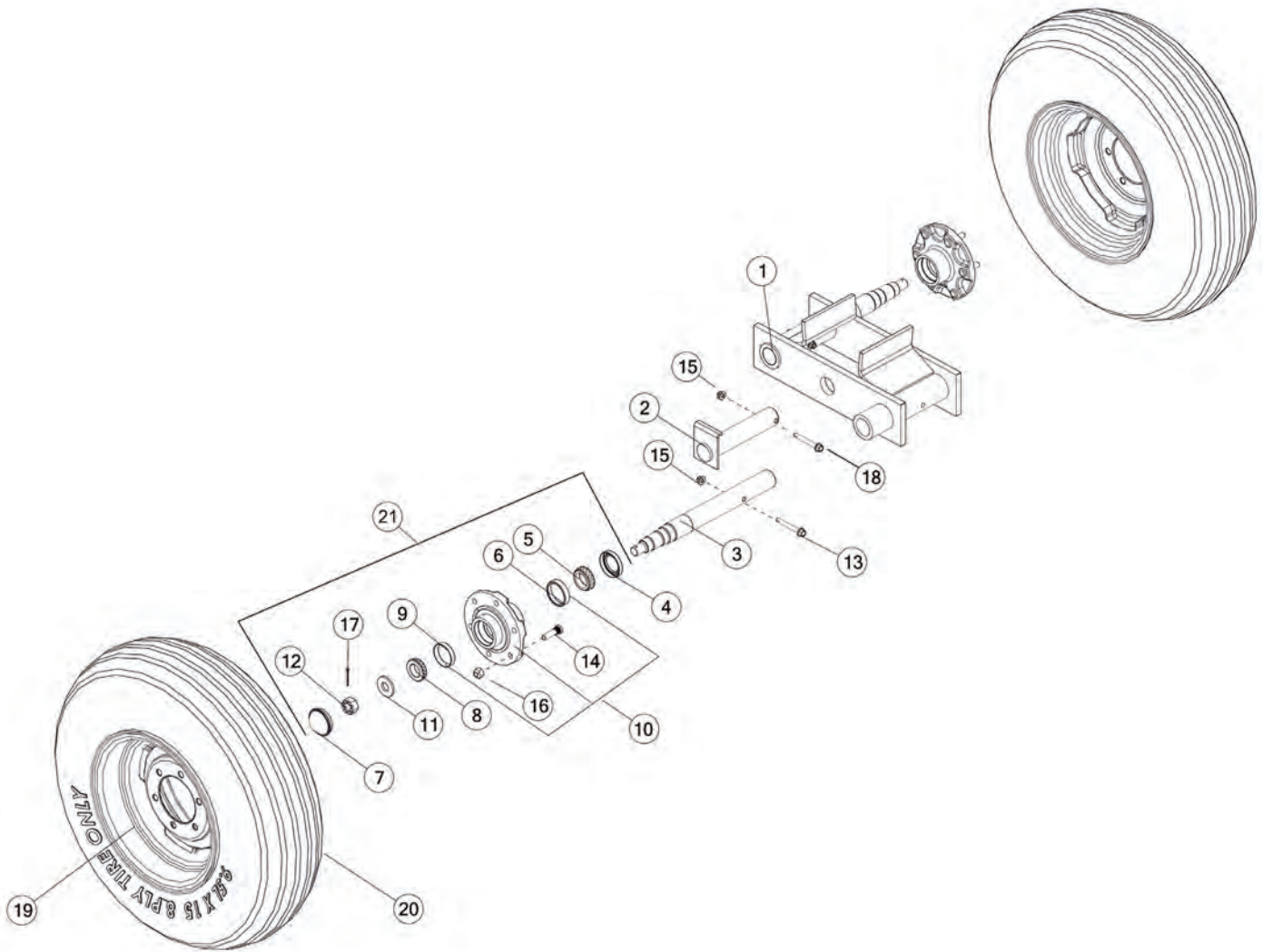




FIGURE 6 LINKAGE ARMS & COMPONENTS

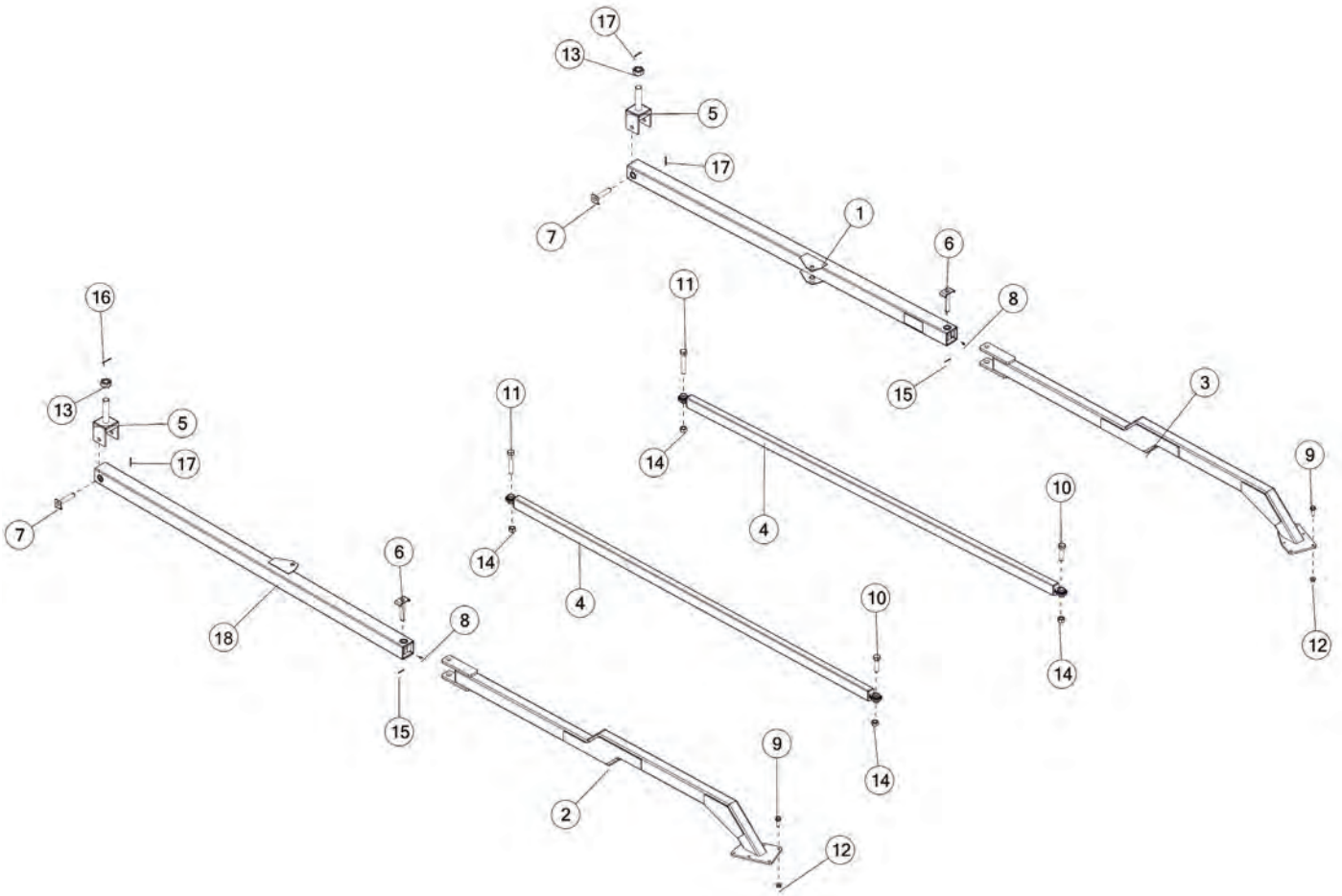




FIGURE 7 MAIN RAKE BEAM ARM RH & COMPONENTS

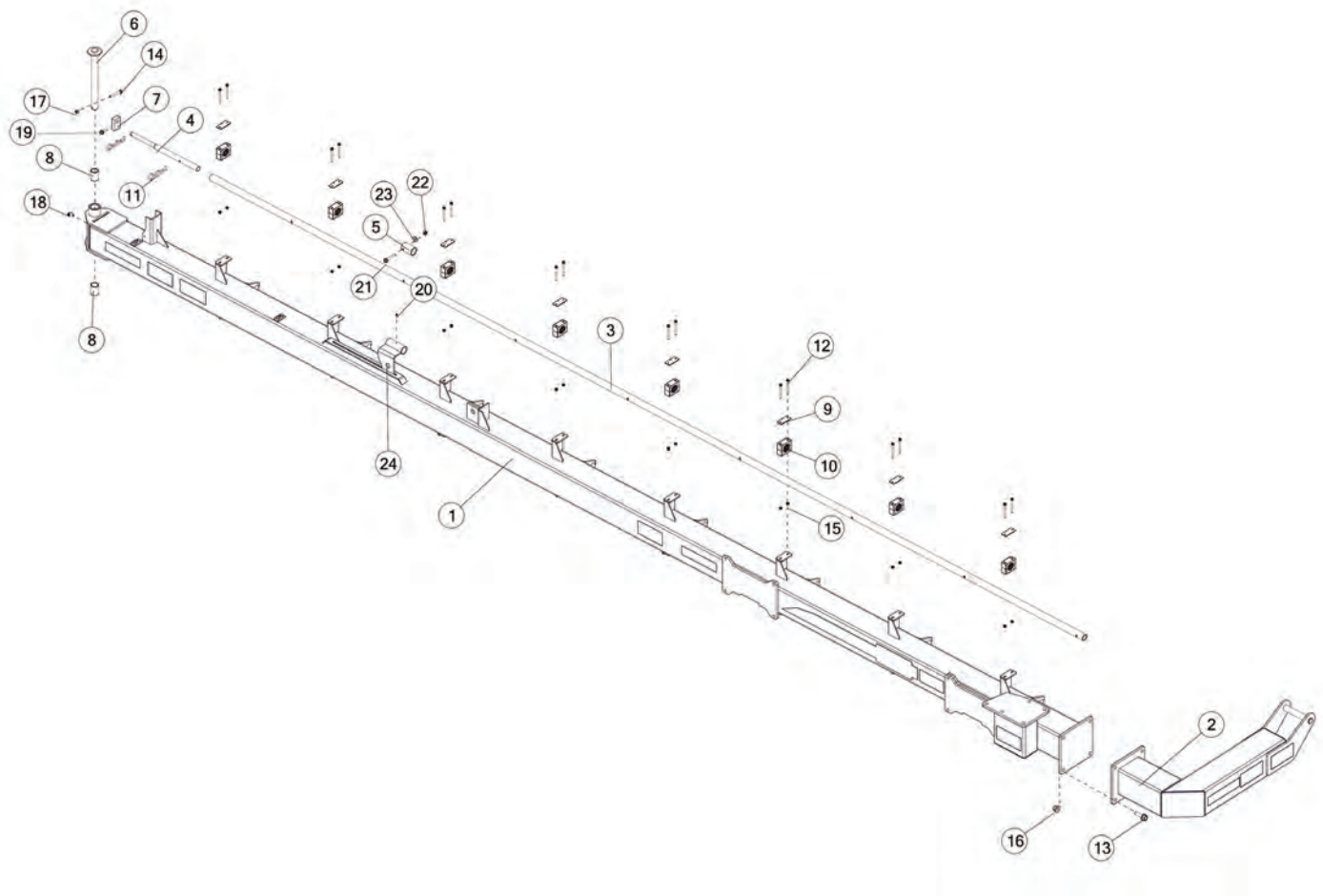




FIGURE 8 MAIN RAKE BEAM ARM LH & COMPONENTS

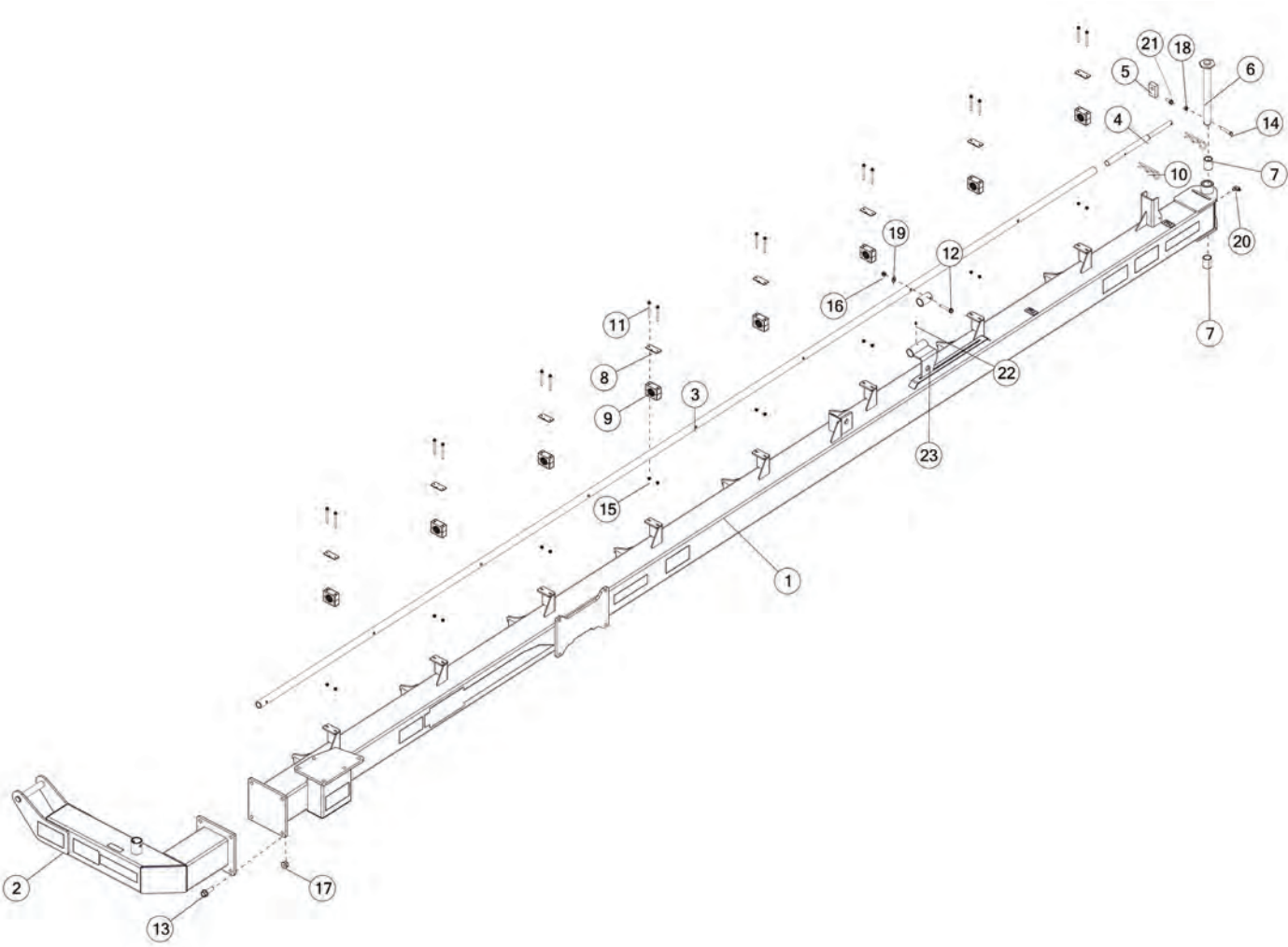




FIGURE 9

FRONT CASTER & COMPONENTS

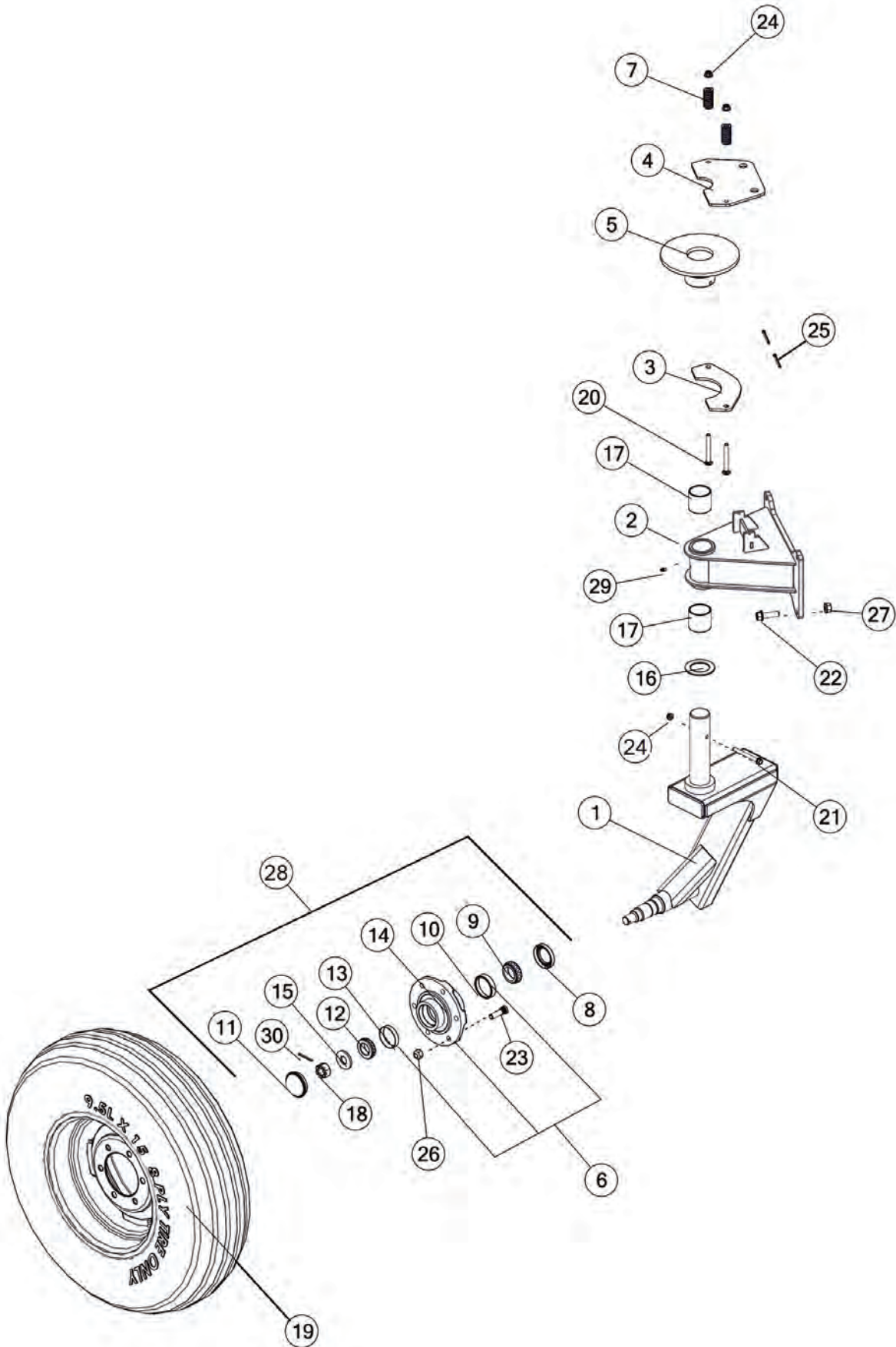




FIGURE 9

FRONT CASTER & COMPONENTS

REF #	PART #	DESCRIPTION	QTY
1	81647	CASTER RH	1
*	81646	CASTER LH	1
2	86838	CASTER MOUNT	1
3	81194	BRAKE PINCHER PLATE TOP	1
4	86835	TOP BRAKE PINCHER PLATE	1
5	81223	BRAKE DISK	1
6	RG101	HUB W/RACES	1
7	WM210	SPRING	2
8	12N17	HUB	1
9	DWM461	INNER BEARING	1
10	DWM462	INNER RACE	1
11	17G144	HUB CAP	1
12	17G145	TAPER BEARING	1
13	17G146	OUTER RACE	1
14	58401	HUB	1
15	HD200	WASHER	1
16	RG24	BRONZE THRUST WASHER	1
17	RG26	BUSHING	2
18	YNSL28005	NUT SLOT, 7/8 G2	1
19	85425	TIRE, 240/80R15, RADIAL IMPLEMENT	1
20	YBCR12080	BOLT CARRIAGE, 3/8 X 3-1/4, G5	2
21	YBHH12160	BOLT HEX, 3/8-16 X 3-3/4 G5 ZC	1
22	YBFB16175	BOLT FLANGE, 1/2 X 1-3/4 G5	4
23	YBSD16005	BOLT STUD, 1/2 X 1-7/8 G5	6
24	YNFG12006	NUT FLANGE, 3/8	3
25	YPCT04020	COTTER PIN, 1/8 X 3/4	2
26	YNWL16005	NUT WHEEL, 1/2 G5	6
27	YNFG16005	NUT FLANGE, 1/2 LKTL	4
28	RG254	HUB COMPLETE	1
29	G89	STRAIGHT ZERK, 1/4-28 X 90	1
30	YPCT05010	COTTER PIN, 5/32 X 1-1/2	1
*	85423SR	IF240/80R15IMP TIRE ON 15X8 SILVER WHEEL	1
*	12N24SR	WHEEL SILVER	1





FIGURE 10

RAKE WHEEL & COMPONENTS

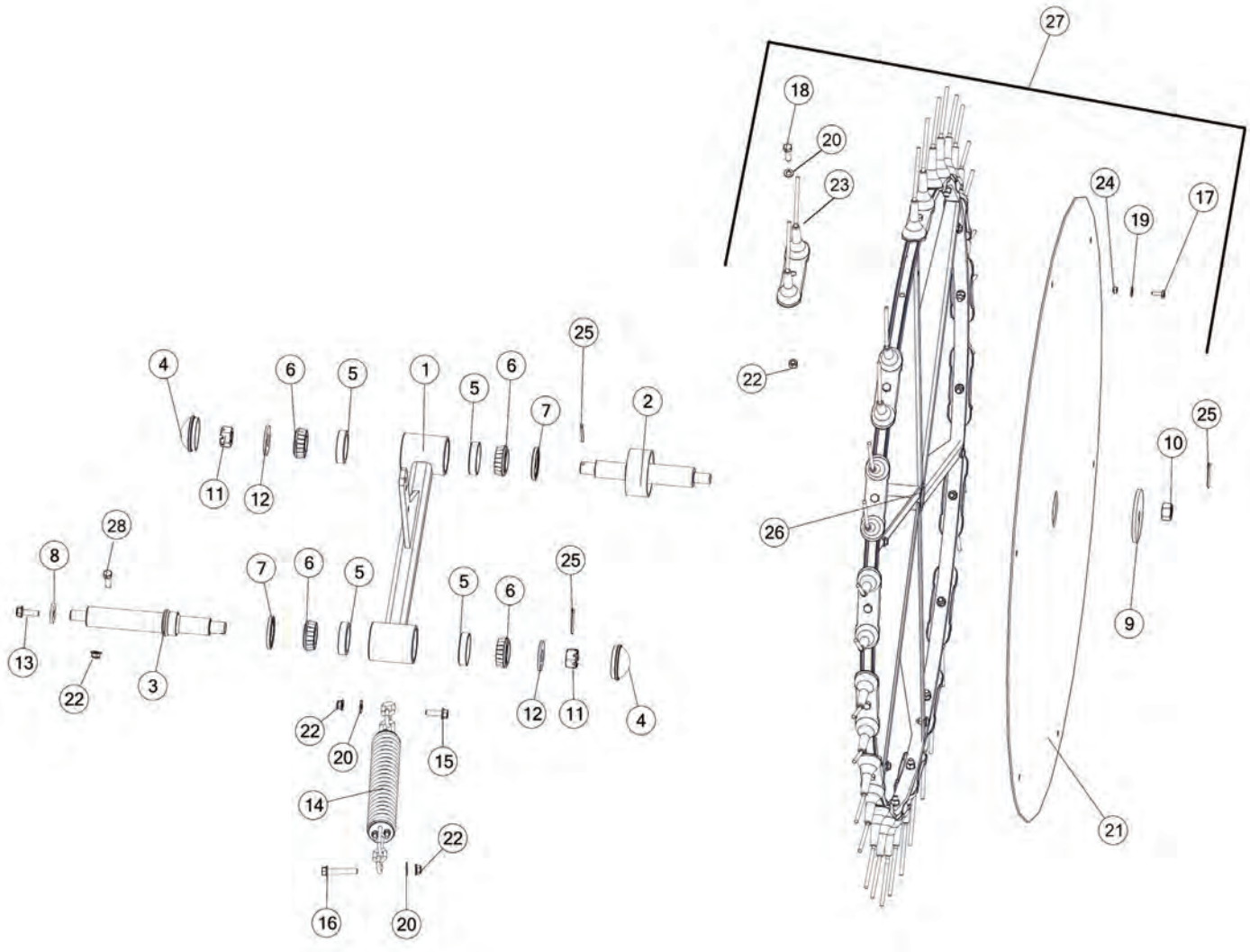


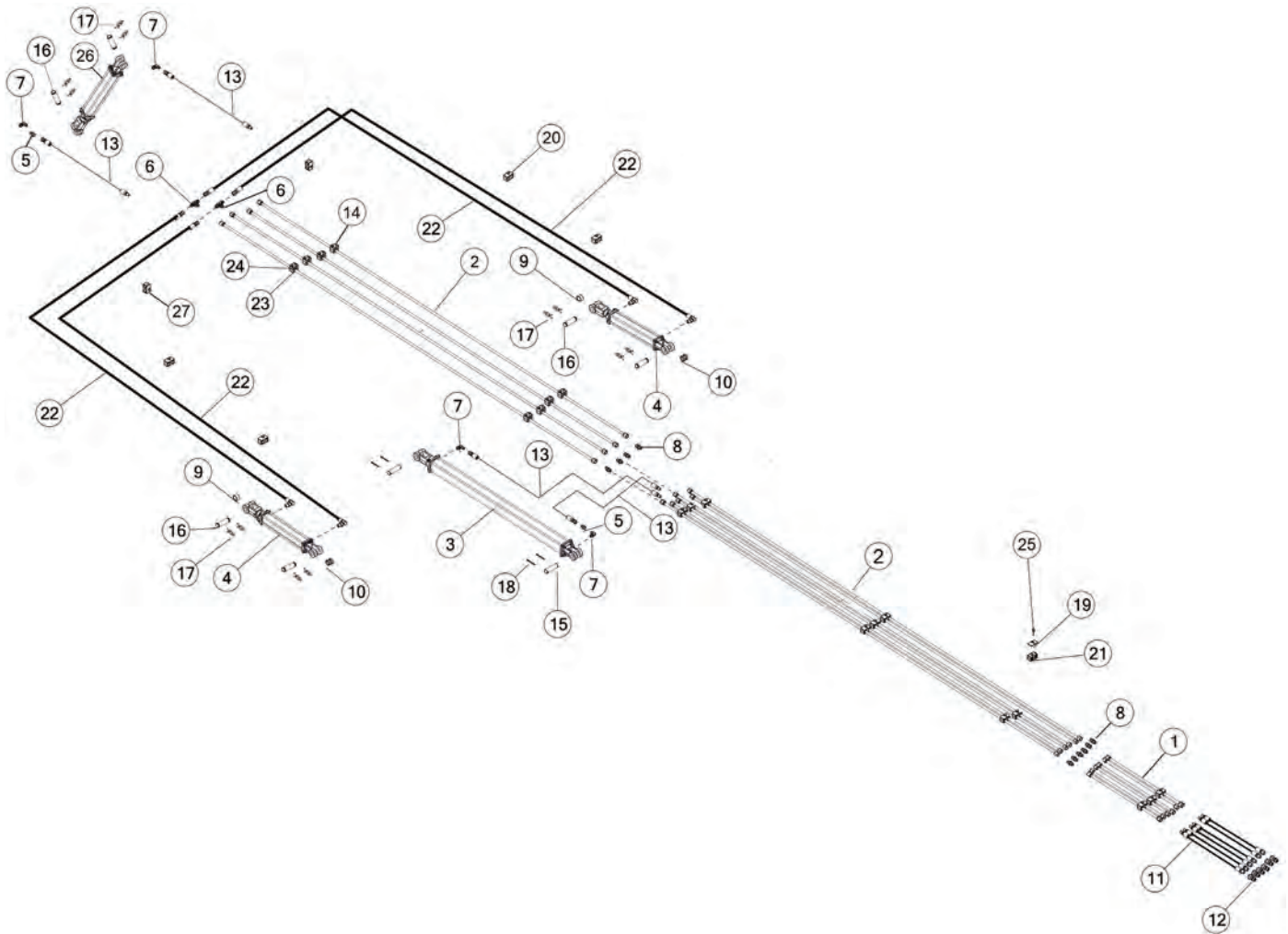


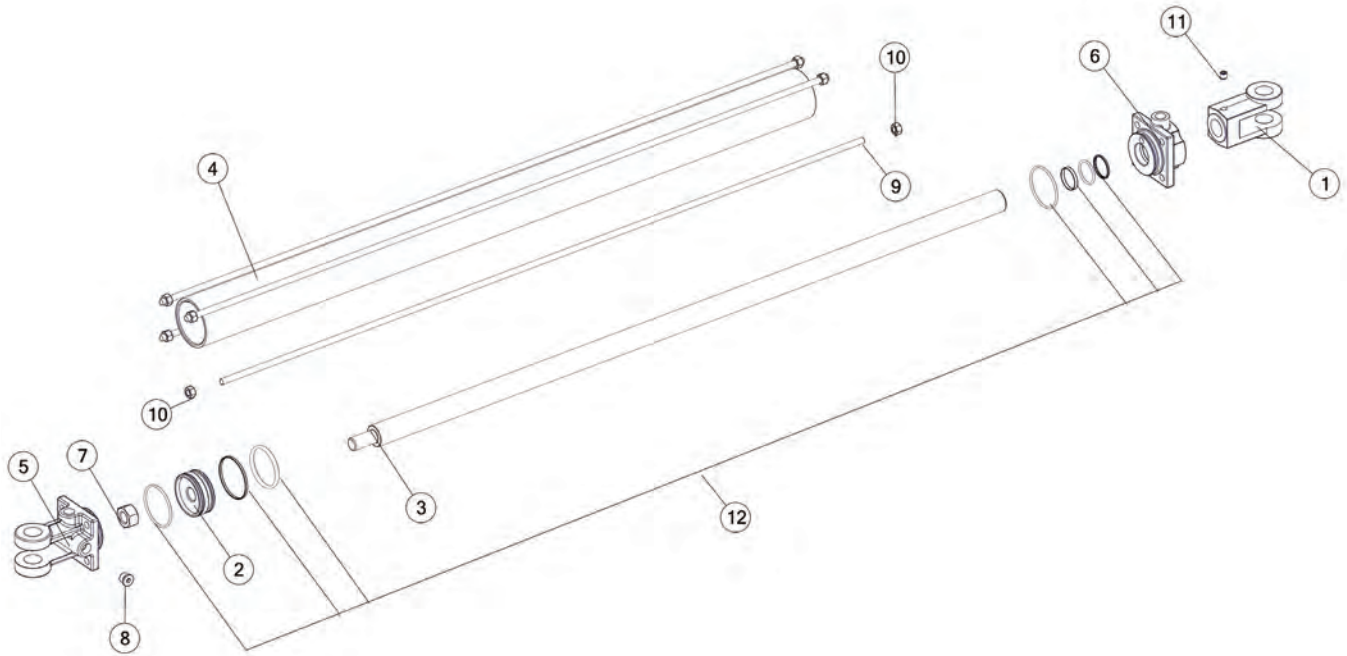
FIGURE 10

RAKE WHEEL & COMPONENTS

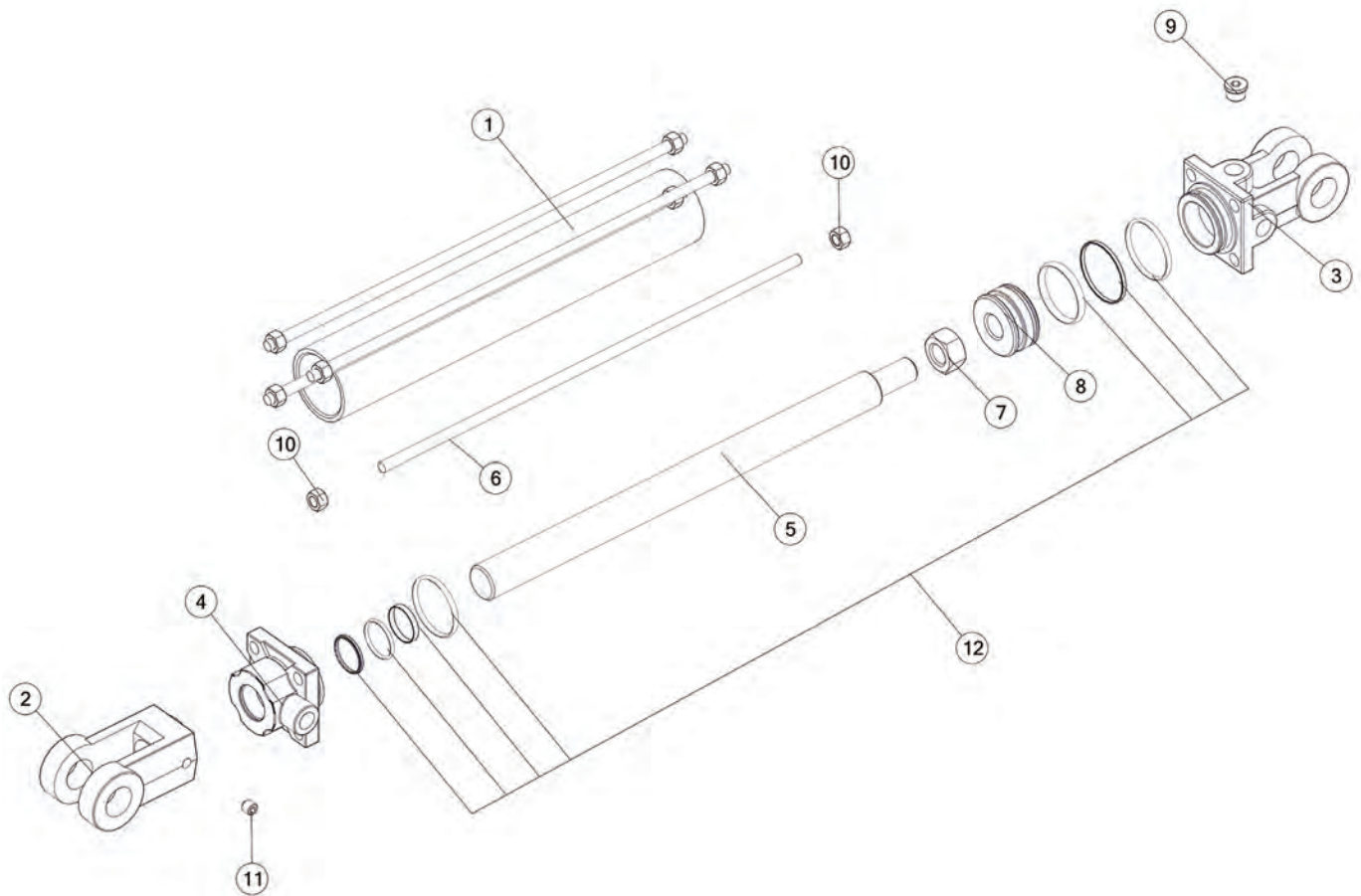
REF #	PART #	DESCRIPTION	QTY
1	81271	RAKE ARM	1
2	HD126	RAKE WHEEL SPINDLE	1
3	95035	PIVOT SPINDLE	1
4	57875	HUB CAP	2
5	3G18	RACE	4
6	HD122	TAPER BEARING	4
7	HD124	SEAL	2
8	YWCU99005	WASHER, CUSTOM, FENDER 3/8 X 2"OD	1
9	HD158	SPINDLE WASHER	1
10	YNHX24005	NUT HEX, 3/4	1
11	YNSL28005	NUT SLOT, 7/8 G2	2
12	YWFL28010	WASHER FLAT, 7/8	2
13	YBFB12075	BOLT FLANGE, 3/8 X 3/4 G5	1
14	84181	SPRING, COMPLETE	1
15	YBFB12125	BOLT FLANGE, 3/8 X 1-1/4 G5	1
16	YBFB12225	BOLT FLANGE, 3/8 X 2-1/4 G5	1
17	YBFB08075	BOLT FLANGE, 1/4 X 3/4 G5	6
18	YBFB12125	BOLT FLANGE, 3/8 X 1-1/4 G5	18
19	YWFL08005	WASHER FLAT, 1/4	6
20	YWFL12005	WASHER FLAT, 3/8	20
21	HD118	WIND GUARD	1
22	YNFG12006	NUT FLANGE, 3/8	21
23	58710B	DOUBLE RAKE TOOTH WITH WASHER	1
24	YNFG08010	NUT FLANGE , 1/4 GF	6
25	YPCT05010	COTTER PIN, 5/32 X 1-1/2	3
26	HD117	RAKE WHEEL	1
27	HD204	COMPLETE RAKE WHEEL RH	1
28	YBFB12300	BOLT FLANGE, 3/8 X 3 G5	1
*	HD203	COMPLETE RAKE WHEEL LH	1







REF #	PART #	DESCRIPTION	QTY
1	23N150A	ROD CLEVIS	1
2	56181	PISTON	1
3	60626	ROD	1
4	60627	CYLINDER TUBE	1
5	71387	CLEVIS CAP	1
6	71388	ROD CAP	1
7	23N148	PISTON NUT	1
8	71261	PLUG, #6 ORB	4
9	BFR656	TIE ROD	1
10	YNHX12006	NUT HEX, 3/8 G2	1
11	YSSO12015	SCREW SET, SOCKET, 3/8 X 3/8	1
12	58687	SEAL KIT	
*	71386	CYLINDER	



REF #	PART #	DESCRIPTION	QTY
1	56451	CYLINDER TUBE	1
2	23N150A	ROD CLEVIS	1
3	66932	CLEVIS CAP	1
4	66934	ROD CAP	1
5	56452	CYLINDER ROD	1
6	56453	CYLINDER TIE ROD	4
7	23N148	PISTON NUT	1
8	56180	PISTON	1
9	SD270	HOLLOW HEX PLUG	1
10	YNHX12006	NUT HEX, 3/8 G2	8
11	YSSO12015	SCREW SET, SOCKET, 3/8 X 3/8	1
12	56187	SEAL KIT	1
*	81290	CYLINDER	1



REF #	PART #	DESCRIPTION	QTY
10	3G18	RACE	8
11	HD122	TAPER BEARING	8
12	HD124	SEAL	4
13	95035	PIVOT SPINDLE	2
14	YWCU99005	WASHER, CUSTOM, FENDER 3/8 X 2 OD	2
15	HD158	SPINDLE WASHER	2
16	YNSL24005	NUT HEX, SLOTTED, 3/4 G2	2
17	YNSL28005	NUT SLOT, 7/8 G2	4
18	YWFL28010	WASHER FLAT, 7/8	4
19	YBFB12300	BOLT FLANGE, 3/8 X 3 G5	2
20	HD118	POLY	2
21	HD117	RAKE WHEEL	2
22	58710B	DOUBLE RAKE TOOTH WITH WASHER	36
23	CHM278	HOSE CLAMP	4
24	84181	COMPLETE SPRING ASSEMBLY	2
25	72246	CLAMP BOLT 5/16 X 2-3/8	2
26	69113	HOSE CLAMP CUSHION	4
27	YBFB12125	BOLT FLANGE, 3/8 X 1-1/4 G5	2
28	YBFB12200	BOLT FLANGE, 3/8 X 2 G5	2
29	YBFB12225	BOLT FLANGE, 3/8 X 2-1/4 G5	2
30	YBFB20200	BOLT FLANGE, 5/8 X 2 G5	8
31	YBFB24200	BOLT FLANGE, 3/4 X 2 G5	12
32	YBFB12125	BOLT FLANGE, 3/8 X 1-1/4 G5	36
33	YBFB08300	BOLT FLANGE, 1/4 X 3 G5	8
34	YNFG08010	NUT FLANGE, 1/4 GF	12
35	YNFG12006	NUT FLANGE, 3/8	42
36	YNFG20005	NUT FLANGE, 5/8	8
37	YNFG24006	NUT HEX TOP LOCK, 3/4	12
38	YPCT05010	COTTER PIN 5/32 X 1-1/2	4
39	YWFL12005	WASHER FLAT, 3/8	36
40	56563	CLAMP TOP PLATE	2
41	56566	HOSE CLAMP COVER	4
42	YBFB08075	BOLT FLANGE, 1/4 X 3/4 G5	12
43	YWFL08005	WASHER, FLAT, 1/4	12
44	YBFB12075	BOLT FLANGE, 3/8 X 3/4 G5	2
*	HD204	RAKE WHEEL, COMPLETE RH	1
*	HD203	RAKE WHEEL, COMPLETE LH	1



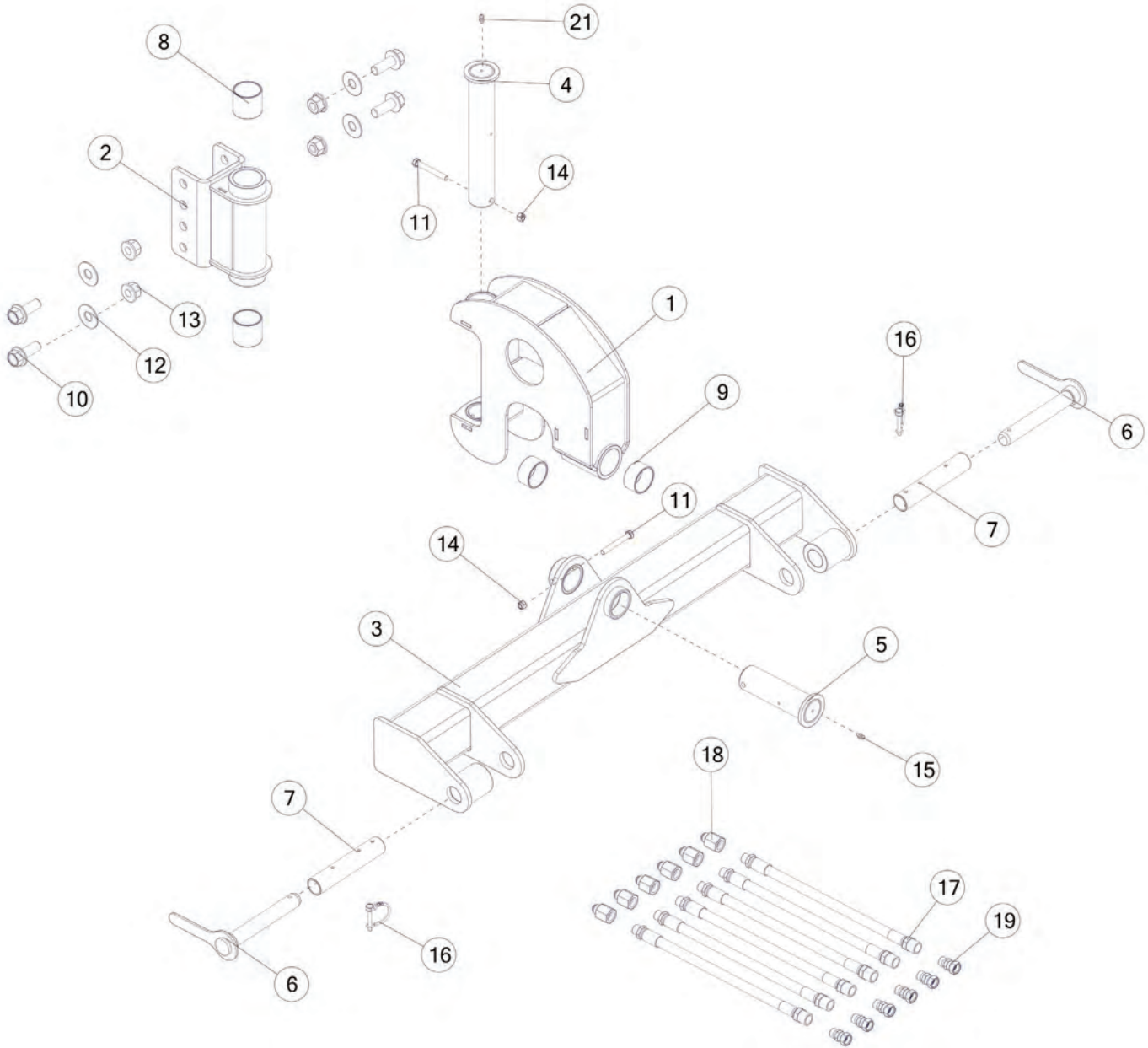




FIGURE 17

OPTIONAL KICKER WHEEL

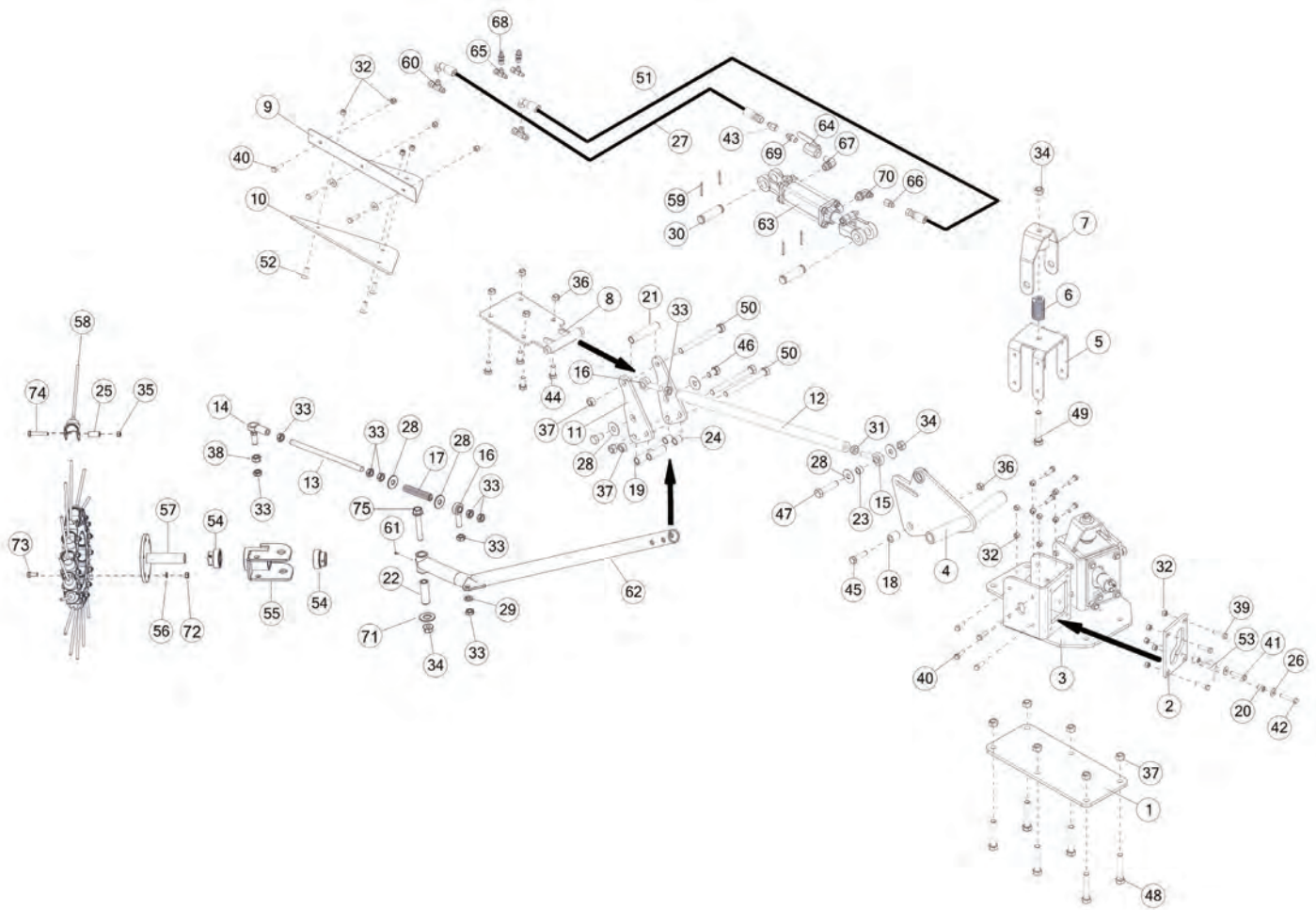




FIGURE 17

OPTIONAL KICKER WHEEL

REF #	PART #	DESCRIPTION	QTY
1	71496	PLATE	1
2	71526	PLATE	2
3	71486	KICKER MAIN	1
4	71495	KICKER BELL	1
5	71500	SPRING BASE BRACKET	2
6	71574	DIE SPRING	2
7	71534	SPRING YOKE	2
8	71521	PIVOT	1
9	71185	KICKER DEFLECTOR BRACKET	1
10	71192	POLY DEFLECTOR PANEL, 1/4	1
11	71522	PLATE	2
12	71601	TUBE	1
13	71618	ALLTHREAD, 5/8 X 12.5	1
14	71599	BALL JOINT BEARING, 5/8	1
15	71593	ROD END BEARING, 5/8 LH	1
16	71594	ROD END BEARING RH	2
17	71296	SPRING	1
18	71487	BUSHING	1
19	71548	STEEL BUSHING	2
20	71568	TUBE	2
21	71577	STEEL BUSHING	1
22	93655	CYLINDER SPACER	1
23	71605	STEEL BUSHING	1
24	71536	STEEL BUSHING	2
25	70807	TUBE	15
26	YWFL12005	WASHER FLAT, 3/8	2
27	90544	HYDRAULIC HOSE, 6 X 162	1
28	YWFL20005	WASHER FLAT, 5/8	6
29	YWLO20005	WASHER LOCK, 5/8	1
30	T143	CYLINDER PIN	1
31	YNJM20011	NUT HEX, 5/8 G5	1
32	YNFG12006	NUT FLANGE, 3/8	24
33	YNJM20010	NUT HEX, JAM, 5/8	8
34	YNFG10005	NUT FLANGE, 5/16 GF	3
35	YNTL12005	NUT HEX, TOP LOCK, 3/8	15
36	YNFG16003	NUT FLANGE, 1/2 GF	5
37	YNTL20005	NUT HEX, TOP LOCK, 5/8	9
38	YNHX20008	NUT, HEX, 5/8-18, NA, A, ZC	1
39	YBFB12150	BOLT FLANGE, 3/8 X 1-1/2	6
40	YBFB12125	BOLT FLANGE, 3/8 X 1-1/4 G5	11
41	YBFB12175	BOLT FLANGE, 3/8 X 1-3/4 G5	2



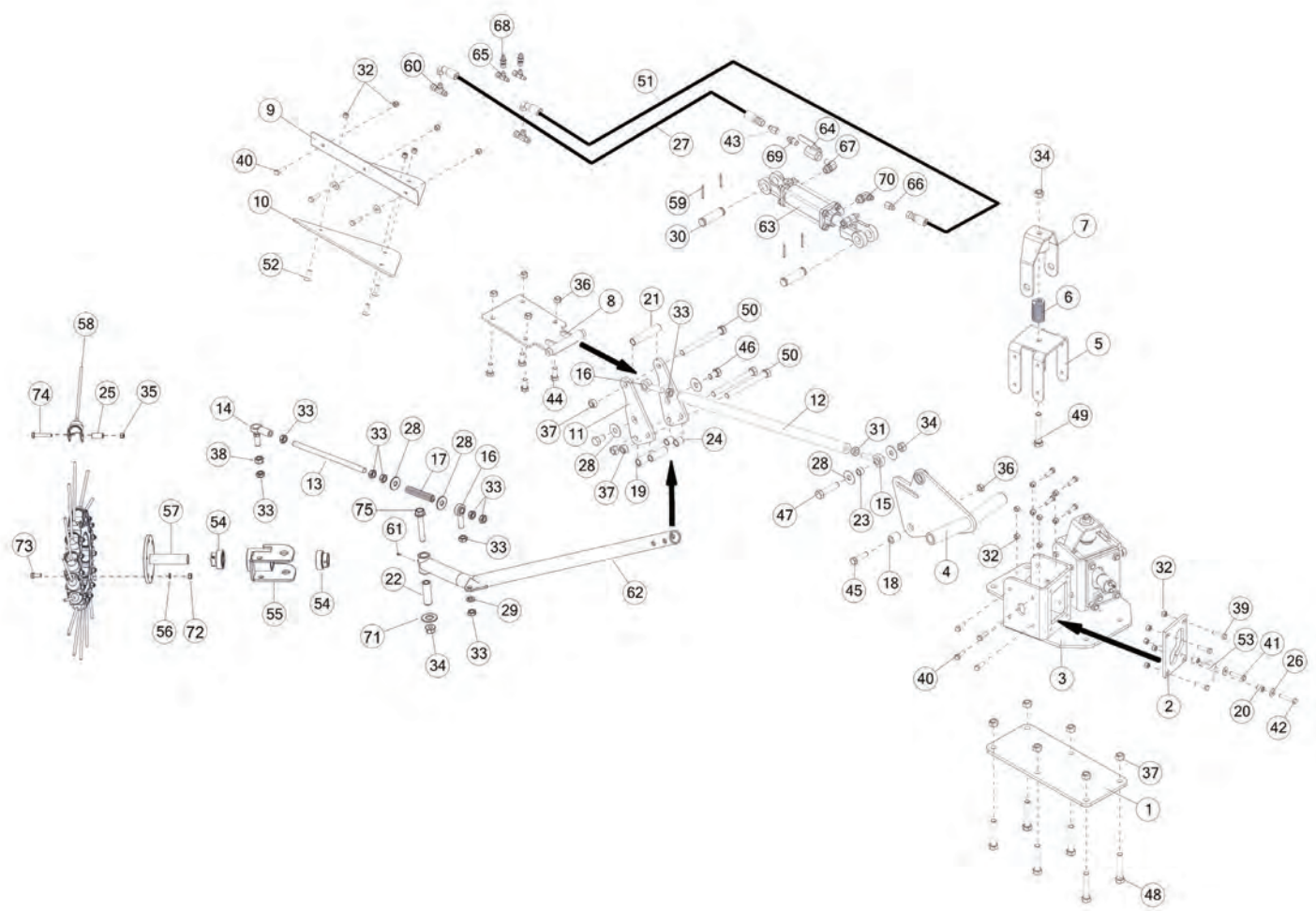


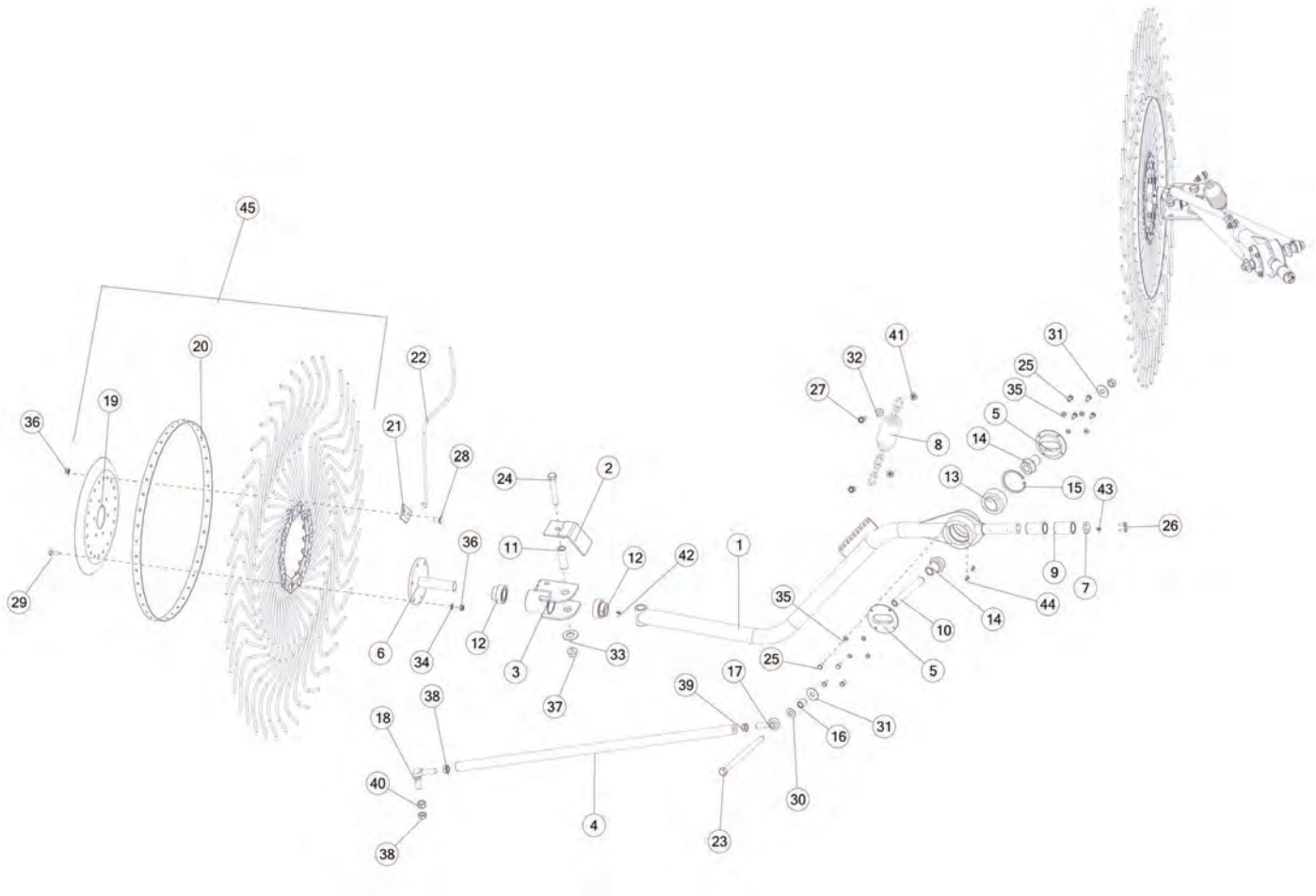


FIGURE 17

OPTIONAL KICKER WHEEL

REF #	PART #	DESCRIPTION	QTY
42	YBFB12225	BOLT FLANGE, 3/8 X 2-1/4 G5	2
43	90534	IN-LINE CONNECTOR, ORIFICE, 4-XHX7-S .022	1
44	YBFB16150	BOLT FLANGE, 1/2 X 1-1/2 G5	4
45	YBFB16200	BOLT FLANGE, 1/2 X 2 G5	1
46	YBHH20005	BOLT HEX, 5/8 X 1 G5	2
47	YBHH20045	BOLT HEX, 5/8 X 2-3/4 G5	1
48	YBFB20350	BOLT FLANGE, 5/8 X 3-1/2 G5	6
49	YBHH20065	BOLT HEX, 5/8 X 4 G5	2
50	YBHH20103	BOLT HEX, 5/8 X 6-1/2 G5	3
51	71780	HYDRAULIC HOSE, 6, 201IN	1
52	YSFS12005	SCREW FLAT, HEAD SOCKET CAP, 3/8 X 1-1/4	3
53	71570	TORSION SPRING	2
54	BFR525	BEARING W/LOCK COLLAR	2
55	93653	RAKE HUB PIVOT	1
56	YWLO76015	WASHER LOCK, M10	6
57	93650	RAKE WHEEL HUB	1
58	T82	RUBBER MOUNTED TOOTH	15
59	YPCT05010	COTTER PIN 5/32 X 1-1/2	4
60	CHM242	TEE SWIVEL RUN	2
61	MS26	SHORT SHANK ZERK (STRAIGHT)	1
62	71529	CENTER POLE	1
63	70797	HYD CYL, 10.2 X 14.2	1
*	72160	CYLINDER TIE ROD	1
*	72161	SEAL KIT	1
64	16SV338	BALL VALVE, 3/8	1
65	58101	FITTING 4 R6X-S	2
66	58142	FITTING, 6 XHX7-S .031 ORIFICE	1
67	70158	FITTING, 90, 3/4ORB, 3/8NPT, STL	1
68	71802	FITTING, ST, 6 MALE JIC, 4 FEMALE JIC STL	2
69	58124	FITTING STRAIGHT, 04JIC, 06NPT	1
70	CHM206	FITTING, 90, 6JIC X 8ORB	1
71	YWFL32005	WASHER, FLAT, SAE 1	1
72	YNHX76015	NUT HEX, M10-1.5	6
73	YBHH76015	BOLT HEX, M10-1.5 X 25	6
74	YBHH12100	BOLT HEX, 3/8 X 2-1/4 G5	15
75	YBFB20400	BOLT FLANGE, 5/8 X 4 G5	1





REF #	PART #	DESCRIPTION	QTY
1	71558	RIGHT POLE	1
*	71560	LEFT POLE	1
2	85319	RAMP BRACKET	2
3	93653	RAKE HUB PIVOT	2
4	71600	TIE ROD	2
5	71562	PLT 4.25 X 0.50, KICKER GUIDE	4
6	93650	RAKE WHEEL HUB	2
7	71993	PLT, 1.50 X 1.50 X 0.25, KEEPER	2
8	8771	RAKE WHEEL SPRING	2
9	71563	BSH, 1.50 X 1.25 X 2.47	4
10	71535	BSH, .875 X .635 X 6.374	2

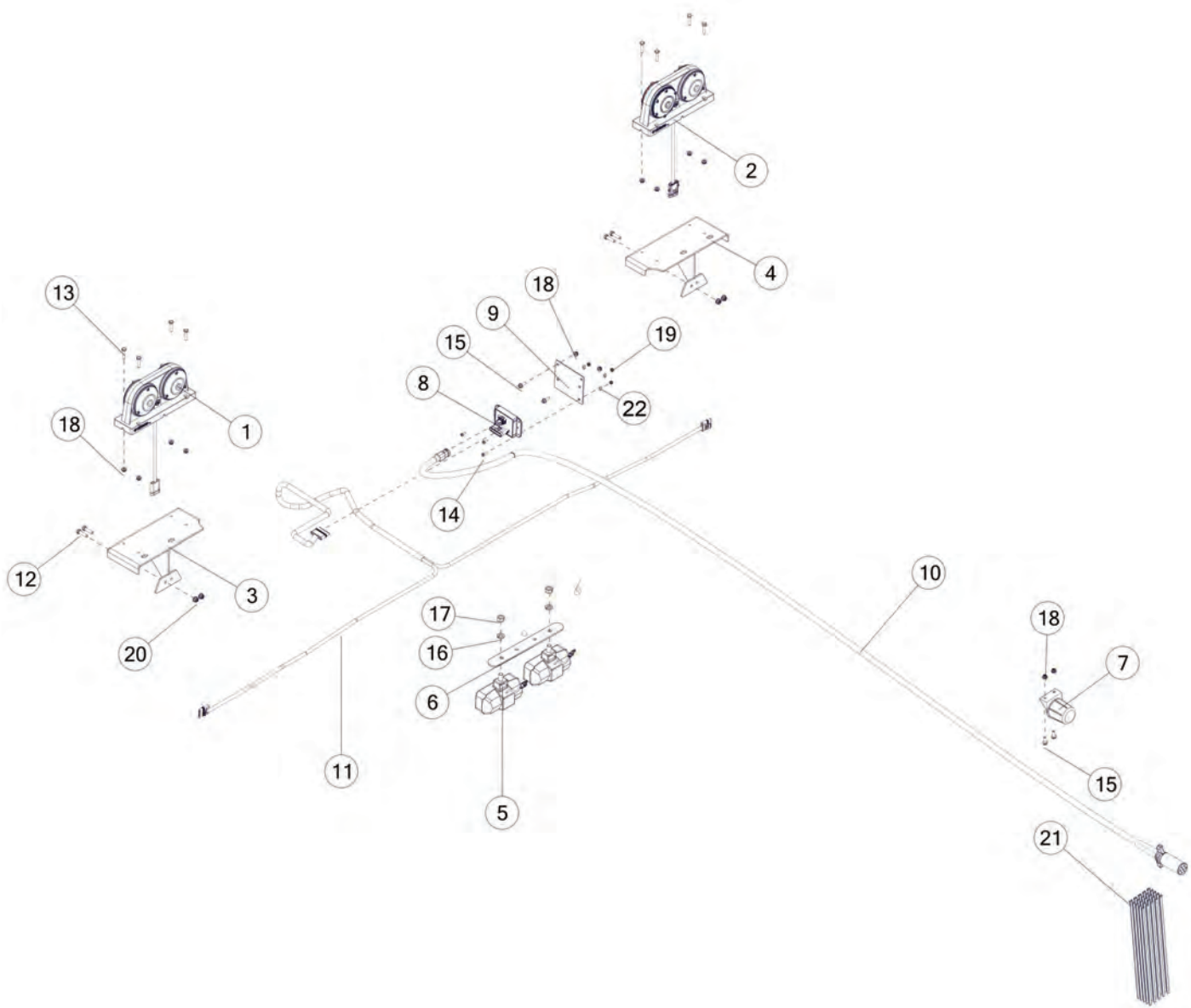


FIGURE 17

OPTIONAL KICKER WHEEL

REF #	PART #	DESCRIPTION	QTY
11	93655	CYLINDER SPACER	2
12	BFR525	PEER FHR206-20 BEARING 1-1/4"	4
13	71553	BRG, 3.125 X 1.75 X 1.56	2
14	71550	BSH, 2.08 X 0.89 X 2.44, STL	4
15	71608	SNAP RING	2
16	71536	BSH, 0.88 X 0.66 X 0.88, STL	2
17	71593	BRG, 5/8 ROD END LH	2
18	71598	BRG, BALL JOINT 5/8-18 M	2
19	FR71	RAKE WHEEL CENTER 60 IN BLACK	2
20	T177A	OUTER RING FOR 48" RAKE WHEEL	2
21	FR74	RAKE TOOTH CLIP BLACK	20
22	10WR42	RAKE WHEEL TOOTH, 49", BLACK	80
23	YBHH20120	BOLT, 5/8-11 X 9" GR 5	2
24	YBHH20067	BOLT, 5/8-11 X 4-1/4 GR 5, ZINC	2
25	YBHH10105	BOLT, 5/16 X 3/4 GR 5	16
26	YBHH08102	BOLT, 1/4 X 3/4 GR 8, YELLOW ZINC	4
27	YBFB12150	BOLT FLANGE, 3/8 X 1-1/2 G5	1
28	YBCR76005	BOLT, CARR, M10-1.5 X 25MM, 8.8, NF	40
29	YBHH76015	BOLT, HEX, M10-1.5 X 25, 10.9, ZC	12
30	YWFL20010	WASHER, FLAT, 5/8" SAE GR 8 YELLOW ZINC	2
31	YWFL20005	WASHER, FLAT, 5/8 USS	4
32	YWFL12005	WASHER, FLAT, 3/8 USS	2
33	YWFL32005	WASHER, FLAT, SAE 1.00, ZINC	2
34	YWLO76015	WASHER, LOCK, M10	12
35	YWLO10005	WASHER, LOCK, 5/16	16
36	YNHX76015	NUT, HEX, M10-1.5, NA, CL10, ZC	32
37	YNFG20005	NUT, FLANGE, 5/8-11, LKTL, F, ZC	2
38	YNJM20010	NUT JAM, 5/8 A	4
39	YNJM20011	NUT JAM, 5/8 G5 LH	2
40	YNHX20008	NUT, HEX, 5/8-18, NA, A, ZC	2
41	YNFG12006	NUT FLANGE, 3/8 GF	8
42	MS26	1/4"-28 STRAIGHT ZERK	2
43	G89	1/4"-28 STRAIGHT ZERK	2
44	RG51	ZERK, 90 DEGREE 1/4"-28	4
45	10WR17	LH RAKE WHEEL, 49" DIAMETER, BLACK	2









Manufactured By:

H&S MANUFACTURING CO., INC.

2608 S. HUME AVE. MARSHFIELD, WI 54449
(715) 387-3414 | hsmfgco.com

