



**7223/7225/7227**  
**FORAGE BOX**  
**PARTS BOOK**

Part #86601 HSMFG051921 Rev. #03

7223 Starting Ser. # UNIT 6  
7225 Starting Ser. # UNIT 1  
7227 Starting Ser. #122SD27004

**STRONG HERITAGE - STRONG PEOPLE - STRONGER FUTURE**

# **SECTION**

|                                       |       |
|---------------------------------------|-------|
| Instructions for Ordering Parts ..... | 1     |
| E.H Unit .....                        | 3-51  |
| 23/25/27' Forage Boxes .....          | 52-95 |
| Parts Notes .....                     | 96    |

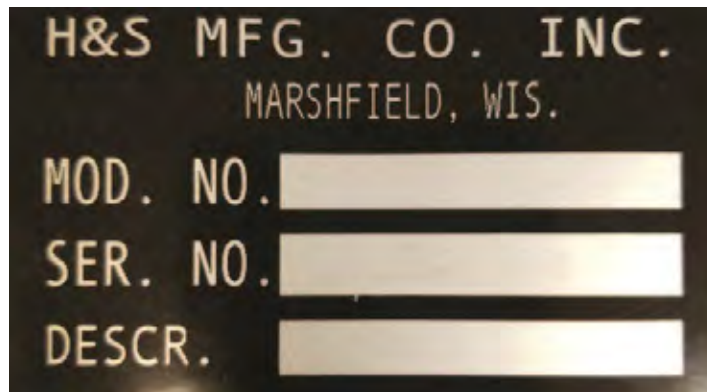
# **INSTRUCTIONS FOR ORDERING PARTS**

All service parts should be ordered through your authorized H&S dealer. Your Dealership will be able to give you faster service if you will provide them with the following:

1. Model & Serial Number - Both can be located on the side of the center bearing post above jack mount.
2. All references to left or right apply to the machine as viewed from the rear.
3. Parts should not be ordered from illustration only. Please order complete part number.
4. If your dealer has to order parts - give shipping instructions:

VIA truck - large pieces (please specify local truck lines)

VIA United Parcel Service (include full address)



H&S MFG. CO. INC.  
MARSHFIELD, WIS.

MOD. NO.

SER. NO.

DESCR.

PLEASE RECORD NUMBERS FOR YOUR UNIT FOR QUICK REFERENCE

## **ABOUT IMPROVEMENTS**

H&S IS CONTINUALLY STRIVING TO IMPROVE ITS PRODUCTS

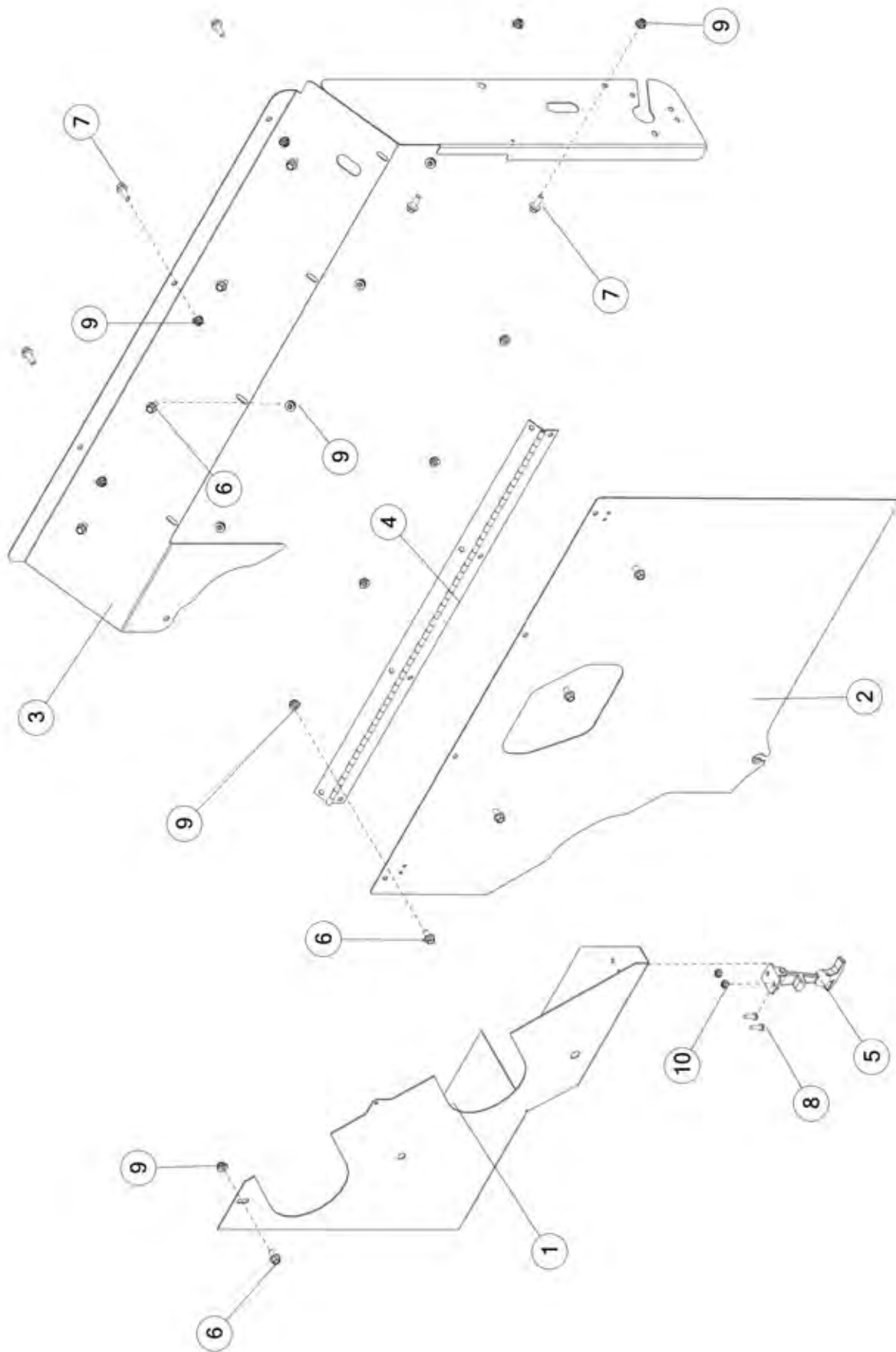
We must, therefore, reserve the right to make improvements or changes whenever it becomes practical to do so, without incurring any obligation to make changes or additions to the equipment previously sold.

E.H. UNIT

## **E.H. SECTION CONTENTS**

|  |       |
|--|-------|
| Figure 1 - Front Shield & Components . . . . .           | 4-5   |
| Figure 2 - Side Shields & Components . . . . .           | 6-7   |
| Figure 3 - Top Front Shield & Components. . . . .        | 8-9   |
| Figure 4 - Conveyor Panels & Components. . . . .         | 10-11 |
| Figure 5 -Cross Apron Drive Shafty & Components. . . . . | 12-13 |
| Figure 6 - Beater Shield & Components. . . . .           | 14-15 |
| Figure 7 - Beater Panel & Components RH. . . . .         | 16-17 |
| Figure 8 - Beater Chains & Sprockets. . . . .            | 18-19 |
| Figure 9 - Apron Drive Sprocket & Components. . . . .    | 20-21 |
| Figure 10 - Front Drive Chain & Components. . . . .      | 22-23 |
| Figure 11 - Front Drive & Components. . . . .            | 24-25 |
| Figure 12 - Beater Panel & Components LH . . . . .       | 26-27 |
| Figure 13 - Extension & Components . . . . .             | 28-29 |
| Figure 14 - Extension & Components. . . . .              | 30-31 |
| Figure 15 - Apron Drive & Components. . . . .            | 32-33 |
| Figure 16 - Hydraulic Drive & Components . . . . .       | 34-35 |
| Figure 17 - Manifold. . . . .                            | 36-37 |
| Figure 18 - Control Box, Harness & Components. . . . .   | 38-39 |
| Figure 19 - Beater Gearbox. . . . .                      | 40-41 |
| Figure 20 - Worm Gearbox . . . . .                       | 42-43 |
| Figure 21 - Control Box . . . . .                        | 44-45 |
| Figure 22 - Main Wiring Harness . . . . .                | 46    |
| Figure 23 - Unit Harness . . . . .                       | 47    |
| Figure 24 - Extension Cylinder . . . . .                 | 48-49 |
| Figure 25 - Optional 4th Beater . . . . .                | 50-51 |

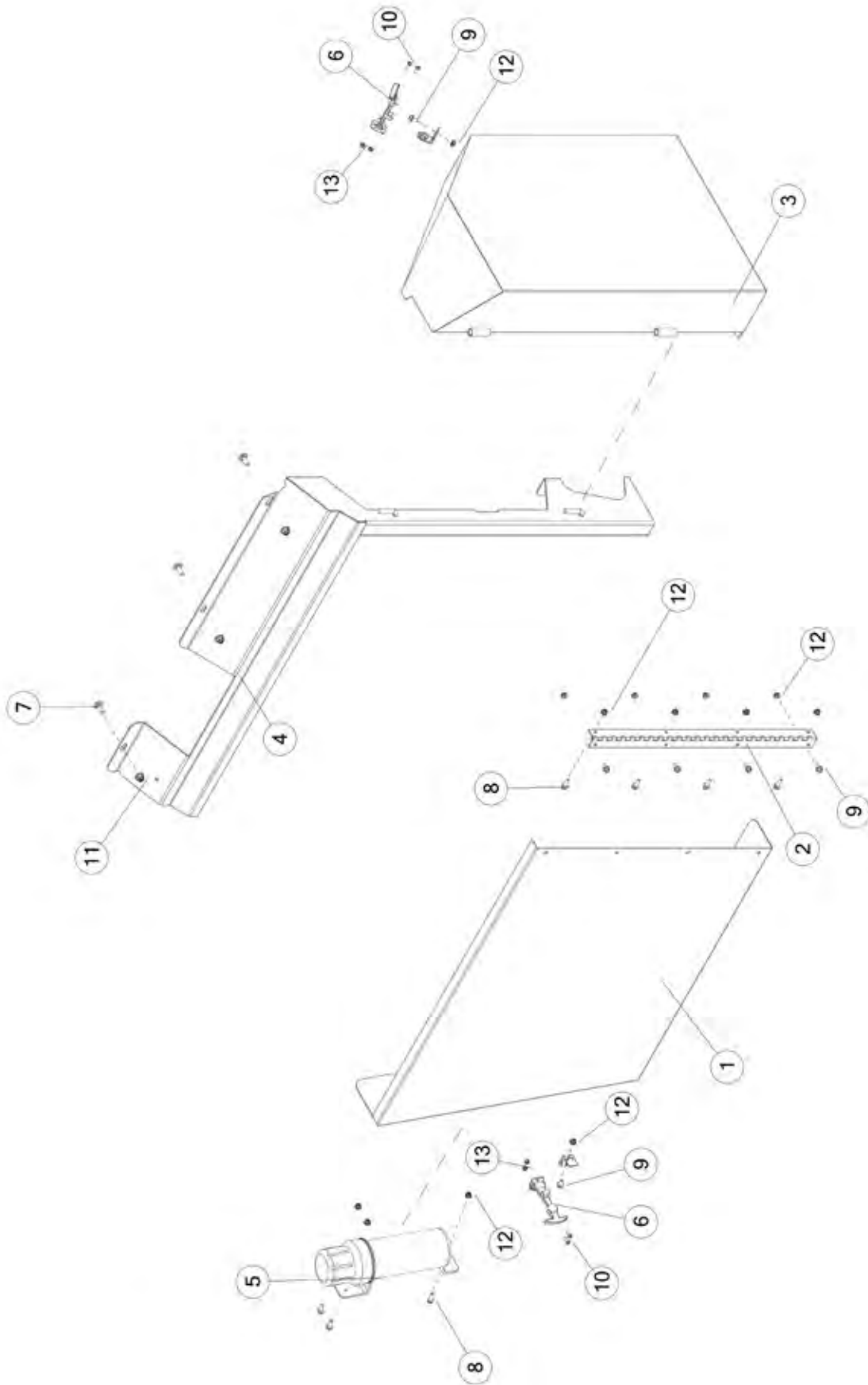
# **FIGURE 1** **FRONT SHIELD & COMPONENTS**



**FIGURE 1**  
**FRONT SHIELD & COMPONENTS**

| <b><u>ITEM</u></b> | <b><u>QTY</u></b> | <b><u>PART#</u></b> | <b><u>DESCRIPTION</u></b>       |
|--------------------|-------------------|---------------------|---------------------------------|
| 1                  | 1                 | SD240               | FRONT SHIELD LOWER              |
| 2                  | 1                 | SD241               | VALVE SHIELD FACE               |
| 3                  | 1                 | SD242               | VALVE SHIELD                    |
| 4                  | 1                 | SD243               | CONTINUOUS HINGE                |
| 5                  | 1                 | X233                | LATCH ASSEMBLY                  |
| 6                  | 9                 | YBFB08005           | BOLT FLANGE, 1/4 X 1/2 G5       |
| 7                  | 5                 | YBFB08075           | BOLT FLANGE, 1/4 X 3/4 G5       |
| 8                  | 2                 | YSPN64005           | MACHINE PPHS, #10-24 X 5/8 ZINC |
| 9                  | 14                | YNFG08010           | NUT FLANGE, 1/4 GF              |
| 10                 | 2                 | YNNY64005           | NUT HEX, #10-24 LKNY G2 ZC      |

# **FIGURE 2** **SIDE SHIELDS & COMPONENTS**



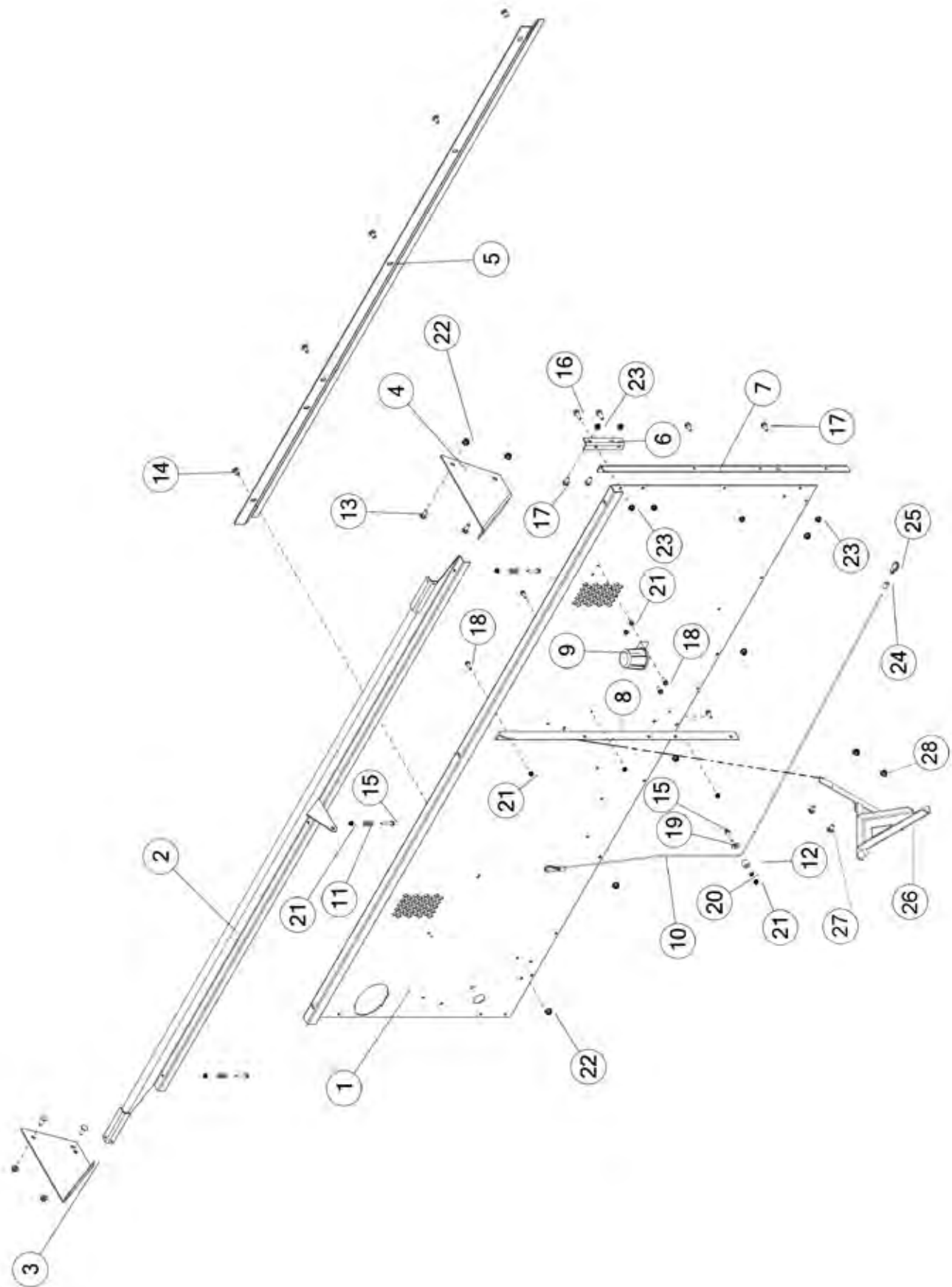


## **FIGURE 2**

### **SIDE SHIELDS & COMPONENTS**

| <b><u>ITEM</u></b> | <b><u>QTY</u></b> | <b><u>PART#</u></b> | <b><u>DESCRIPTION</u></b>       |
|--------------------|-------------------|---------------------|---------------------------------|
| 1                  | 1                 | SD106               | MAIN SIDE SHIELD LOWER          |
| 2                  | 1                 | SD165               | CONTINUOUS HINGE                |
| 3                  | 1                 | SD239               | FRONT CORNER SHIELD             |
| 4                  | 1                 | SD161               | HINGE BAR                       |
| 5                  | 1                 | S522                | MANUAL HOLDER                   |
| 6                  | 2                 | X233                | LATCH ASSEMBLY                  |
| 7                  | 3                 | YBCR12010           | BOLT CARRIAGE, 3/8-16 X 1 G5 ZC |
| 8                  | 7                 | YBFB08075           | BOLT FLANGE, 1/4 X 3/4 G5       |
| 9                  | 6                 | YBFB08005           | BOLT FLANGE, 1/4 X 1/2 G5       |
| 10                 | 4                 | YSPN64005           | MACHINE PPHS, #10-24 X 5/8 ZINC |
| 11                 | 3                 | YNFG12006           | NUT FLANGE, 3/8 GF              |
| 12                 | 13                | YNFG08010           | NUT FLANGE, 1/4 GF              |
| 13                 | 4                 | YNNY64005           | NUT HEX, #10-24 LKNY G2 ZC      |

# **FIGURE 3** **TOP FRONT SHIELD & COMPONENTS**

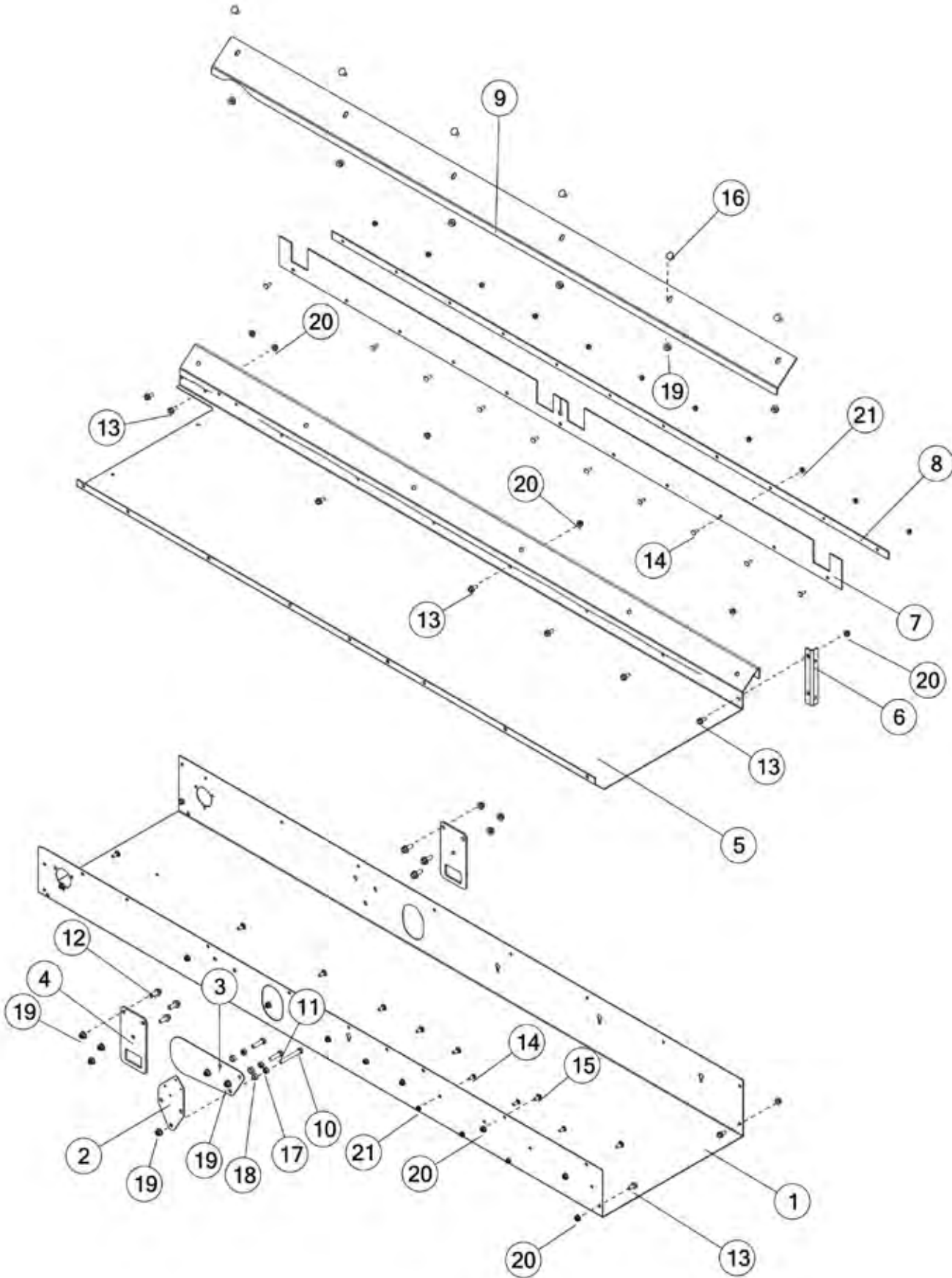


## FIGURE 3

### TOP FRONT SHIELD & COMPONENTS

| <u>ITEM</u> | <u>QTY</u> | <u>PART#</u> | <u>DESCRIPTION</u>                |
|-------------|------------|--------------|-----------------------------------|
| 1           | 1          | SD224        | FRONT PANEL                       |
| 2           | 1          | 86817B       | EMERGENCY STOP PANEL W/DECALS     |
| 3           | 1          | 80619        | RH EMERGENCY STOP BRKT            |
| 4           | 1          | 80620        | LH EMERGENCY STOP BRKT            |
| 5           | 1          | SD5          | CROSS CONV FRONT HOLDDOWN         |
| 6           | 1          | 73343        | BRKT, ANGLE, LH CORNER            |
| 7           | 1          | S22          | FRONT ANGLE LH                    |
| 8           | 1          | SD151        | FRONT PANEL BRACE LONG            |
| 9           | 1          | CHM38        | PLUG STORAGE                      |
| 10          | 1          | SD253        | EMERGENCY STOP CABLE              |
| 11          | 3          | S7           | SPRING FOR EMERGENCY STOP         |
| 12          | 1          | ST81         | EXTENSION SPACER, 11/16"          |
| 13          | 4          | YBCR12010    | BOLT CARRIAGE, 3/8-16 X 1 G5 ZC   |
| 14          | 5          | YBCR12065    | BOLT CARRIAGE, 3/8-16 X 3/4 G5 ZC |
| 15          | 4          | YBFB08150    | BOLT FLANGE, 1/4 X 1-1/2 G5       |
| 16          | 2          | YBFB10001    | BOLT FLANGE, 5/16 X 1 G5          |
| 17          | 4          | YBFB10075    | BOLT FLANGE, 5/16 X 3/4 G5        |
| 18          | 3          | YBFB08075    | BOLT FLANGE, 1/4 X 3/4 G5         |
| 19          | 1          | YWFL10005    | WASHER FLAT, 5/16 USS             |
| 20          | 1          | YNHX08005    | NUT HEX, 1/4-20, NA A ZC          |
| 21          | 1          | YNFG08010    | NUT FLANGE, 1/4 GF                |
| 22          | 9          | YNFG12006    | NUT FLANGE, 3/8 GF                |
| 23          | 6          | YNFG10005    | NUT FLANGE, 5/16 GF               |
| 24          | 1          | ES5          | CABLE SLEEVE, 3/16                |
| 25          | 1          | ES14         | THIMBLE                           |
| 26          | 1          | 91360        | SD TETHER BRACKET                 |
| 27          | 2          | YBFB08100    | BOLT FLANGE, 1/4 X 1 G5           |
| 28          | 2          | YNFG08010    | NUT FLANGE, 1/4 GF                |

**FIGURE 4**  
**CONVEYOR PANELS & COMPONENTS**

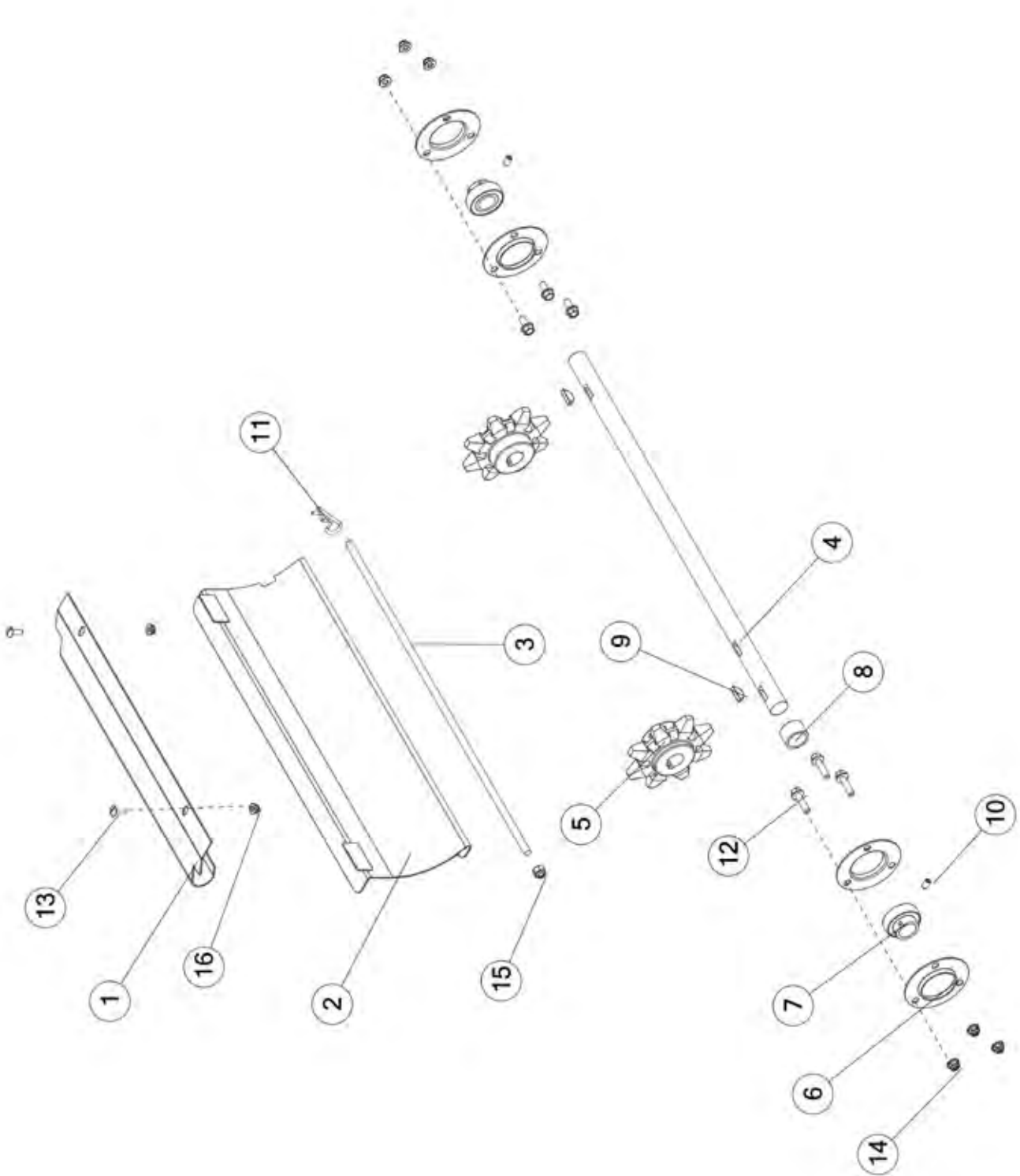


## FIGURE 4

### CONVEYOR PANELS & COMPONENTS

| <u>ITEM</u> | <u>QTY</u> | <u>PART#</u> | <u>DESCRIPTION</u>                  |
|-------------|------------|--------------|-------------------------------------|
| 1           | 1          | 87726        | RETURN PAN                          |
| 2           | 1          | SD255        | SAFETY LIMIT SWITCH MOUNT           |
| 3           | 1          | SD221        | ACCES COVER                         |
| 4           | 1          | SD233        | TUBING MOUNT                        |
| 5           | 1          | 87790        | CROSS APRON PAN                     |
| 6           | 1          | S19          | RETURN PAN ANGLE, LH                |
| 7           | 1          | S306         | RUBBER SEAL                         |
| 8           | 1          | S288         | PLT, 87-1/2 X 1 X .13               |
| 9           | 1          | 72888        | HOLD DOWN                           |
| 10          | 1          | YBHH12125    | BOLT HEX, 3/8-16 X 3 G5 FULL THREAD |
| 11          | 2          | YBHH12027    | BOLT HEX, 3/8-16 X 1-1/2 G5         |
| 12          | 6          | YBFB12003    | BOLT FLANGE, 3/8 X 1 G5             |
| 13          | 9          | YBFB10075    | BOLT FLANGE, 5/16 X 3/4 G5          |
| 14          | 18         | YBCR08040    | BOLT CARRIAGE, 1/4-20 X 3/4 G5 ZC   |
| 15          | 2          | YBCR10030    | BOLT CARRIAGE, 5/16-18 X 3/4 G5 ZC  |
| 16          | 6          | YBCR12065    | BOLT CARRIAGE, 3/8-16 X 3/4 G5 ZC   |
| 17          | 2          | YNHX12005    | NUT HEX, 3/8-16 NA A ZC             |
| 18          | 2          | K94          | SPACER CHAIN TIGHTENER              |
| 19          | 15         | YNFG12006    | NUT FLANGE, 3/8 GF                  |
| 20          | 10         | YNFG10005    | NUT FLANGE, 5/16 GF                 |
| 21          | 18         | YNFG08010    | NUT FLANGE, 1/4 GF                  |

# **FIGURE 5** **CROSS APRON DRIVE SHAFT & COMPONENTS**

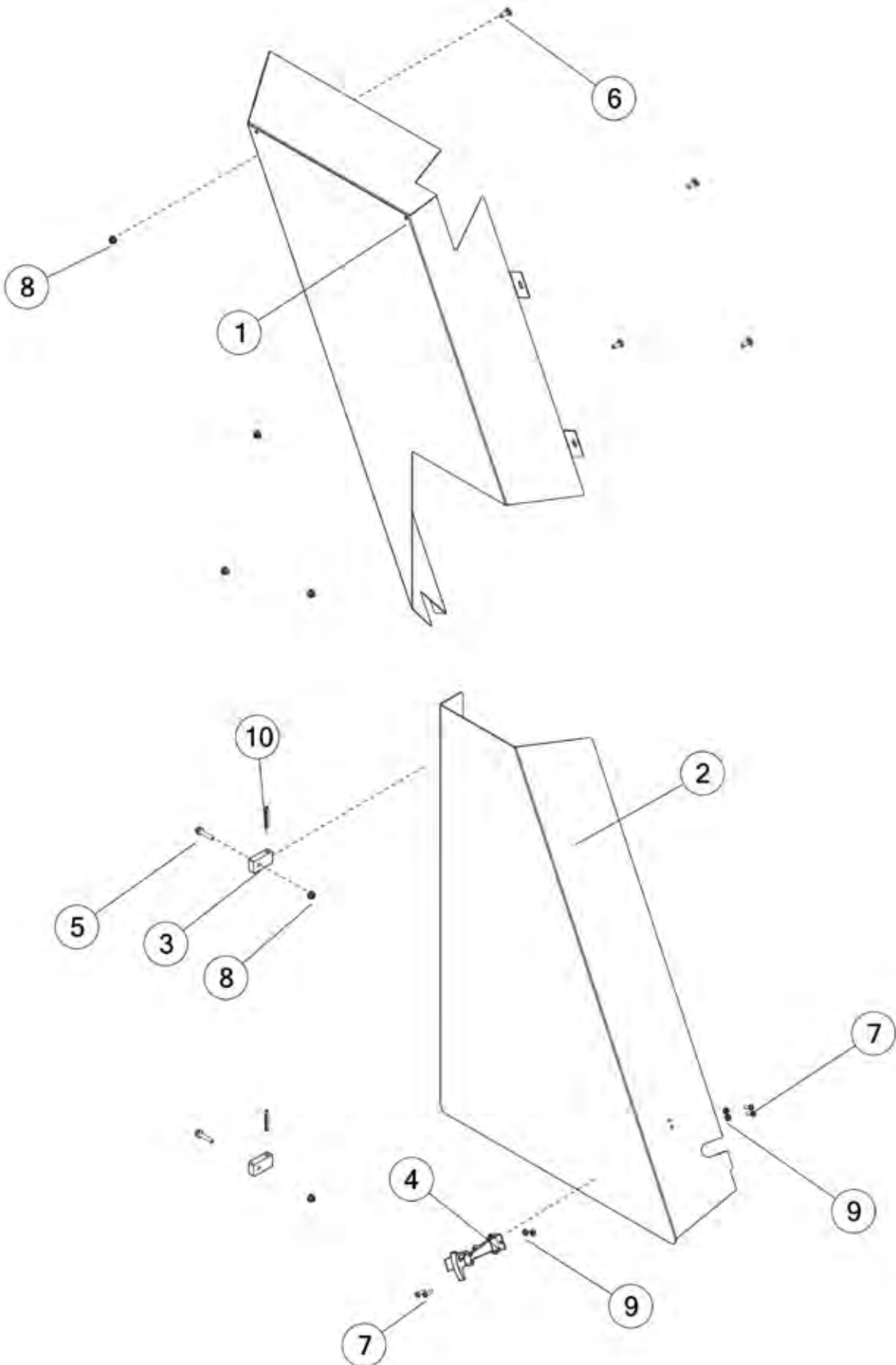


## FIGURE 5

### CROSS APRON DRIVE SHAFT & COMPONENTS

| <u>ITEM</u> | <u>QTY</u> | <u>PART#</u> | <u>DESCRIPTION</u>                               |
|-------------|------------|--------------|--|
| 1           | 1          | SD13         | TUB EXTENSION                                    |
| 2           | 1          | SD8          | RETURN PAN END                                   |
| 3           | 1          | SD10         | RETURN PAN END ROD                               |
| 4           | 1          | SD24         | CROSS APRON DRIVE SHAFT                          |
| 5           | 2          | L10R24       | CROSS APRON SPROCKET                             |
| 6           | 4          | 4C7          | FLANGE, BEARING, Ø3.75 OD, Ø1.98 ID              |
| 7           | 2          | 23N221       | FHS205-16 BEARING                                |
| 8           | 1          | SD210        | APRON SPROCKET SPACER                            |
| 9           | 2          | 5B10         | WDF KEY, 1/4 X 1                                 |
| 10          | 2          | YSKP10005    | SET SCREW, SOCKET, KNURLED CUP PT, 5/16-18 X 1/2 |
| 11          | 1          | YPHR02010    | HAIR PIN, #21-07                                 |
| 12          | 6          | YBFB10125    | BOLT FLANGE, 5/16 X 1-1/4 G5                     |
| 13          | 2          | YSTM08004    | TRUSS HEAD MACH, SCREW, 1/4-20 X .75 G5 ZINC     |
| 14          | 6          | YNFG10005    | NUT FLANGE, 5/16 GF                              |
| 15          | 1          | YNNY12005    | NUT HEX, 3/8-16 LKNY G2 ZC                       |
| 16          | 2          | YNFG08010    | NUT FLANGE, 1/4 GF                               |

**FIGURE 6**  
**BEATER SHIELD & COMPONENTS**

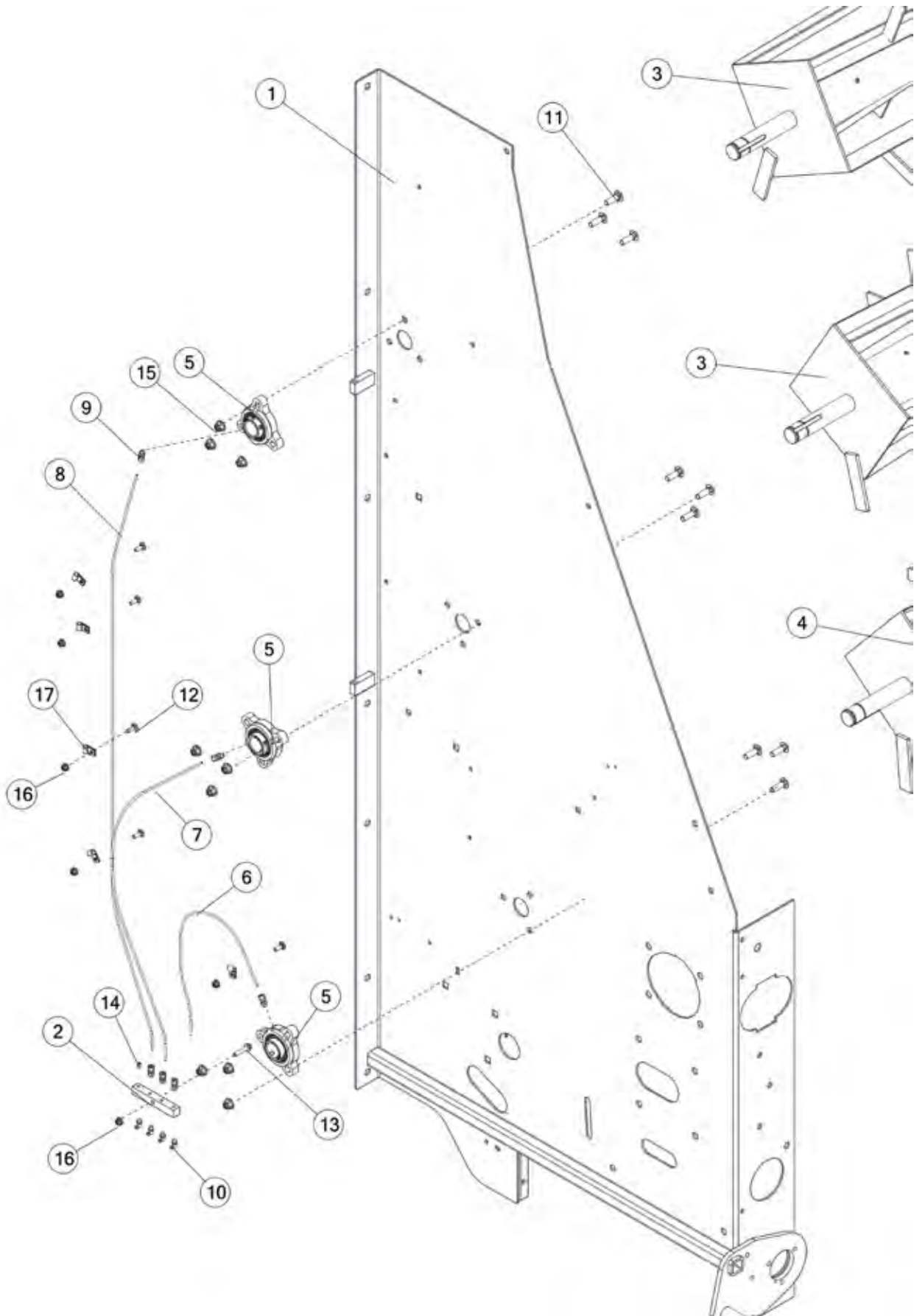




**FIGURE 6**  
**BEATER SHIELD & COMPONENTS**

| <b><u>ITEM</u></b> | <b><u>QTY</u></b> | <b><u>PART#</u></b> | <b><u>DESCRIPTION</u></b>         |
|--------------------|-------------------|---------------------|-----------------------------------|
| 1                  | 1                 | 86803               | TOP BEATER CHAIN SHIELD           |
| 2                  | 1                 | 88869               | SIDE SHIELD TOP                   |
| 3                  | 2                 | SD169               | LIFT OFF HINGE B                  |
| 4                  | 1                 | X233                | LATCH ASSEMBLY                    |
| 5                  | 2                 | YBFB08125           | BOLT FLANGE, 1/4 X 1-1/4 G5       |
| 6                  | 4                 | YBCR08040           | BOLT CARRIAGE, 1/4-20 X 3/4 G5 ZC |
| 7                  | 4                 | YSPN64005           | MACHINE PPHS, #10-24 X 5/8 ZINC   |
| 8                  | 6                 | YNFG08010           | NUT FLANGE, 1/4 GF                |
| 9                  | 4                 | YNNY64005           | NUT HEX, #10-24 LKNY G2 ZC        |
| 10                 | 2                 | YPEx08015           | EXPANSION PIN, 1/4 X 1 3/4        |

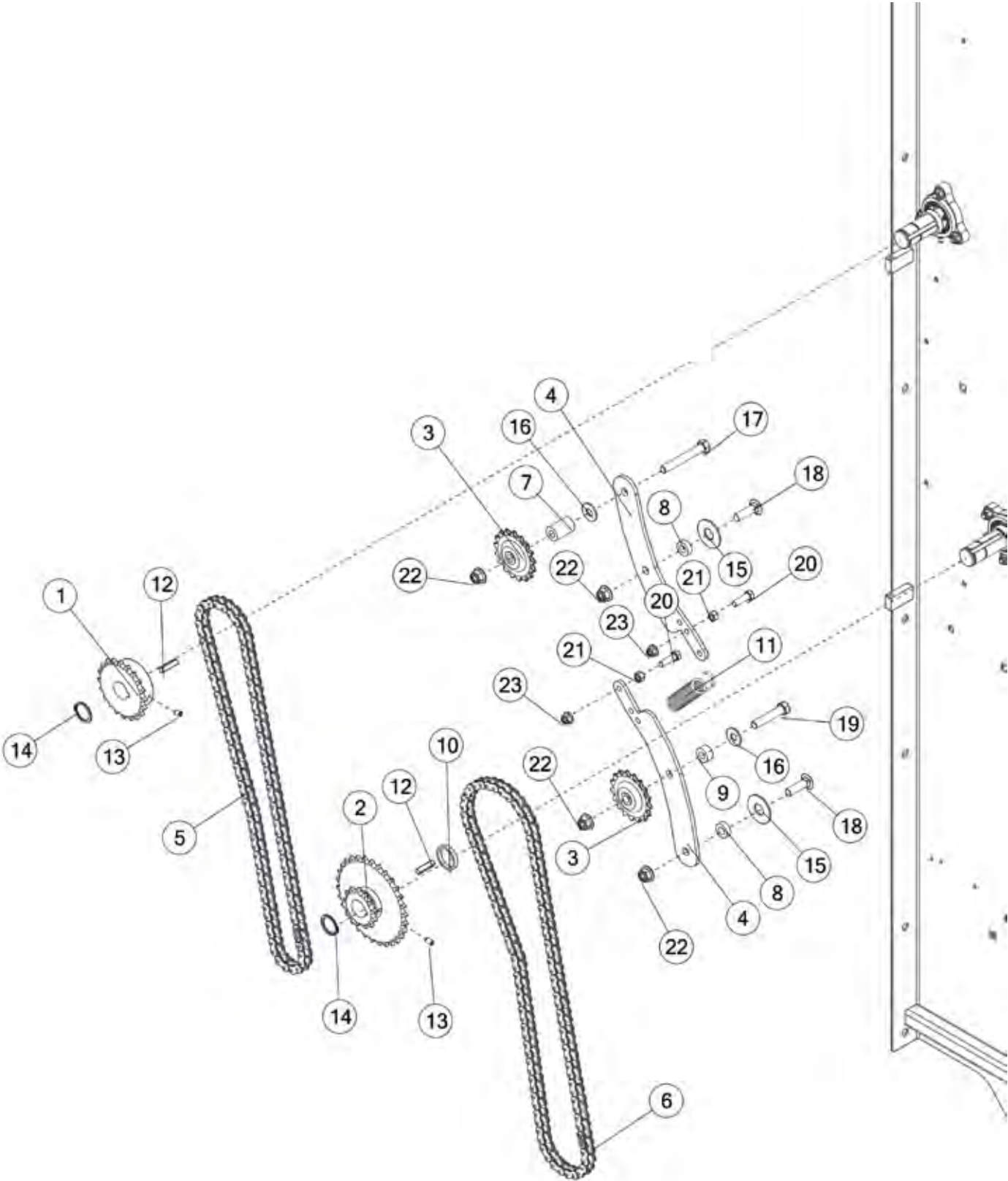
# **FIGURE 7** **BEATER PANEL & COMPONENTS RH**



**FIGURE 7**  
**BEATER PANEL & COMPONENTS RH**

| <b><u>ITEM</u></b> | <b><u>QTY</u></b> | <b><u>PART#</u></b> | <b><u>DESCRIPTION</u></b>                       |
|--------------------|-------------------|---------------------|---|
| 1                  | 1                 | 86786B              | MAIN PANEL, RH W/DECALS                         |
| 2                  | 1                 | SD146               | GREASE BLOCK 4 PORT                             |
| 3                  | 2                 | 76201               | BEATER  |
| 4                  | 1                 | 87857               | 1ST BEATER                                      |
| 5                  | 3                 | 80662               | BEARING 1-1/4                                   |
| 6                  | 1                 | 78982               | GREASE LINE                                     |
| 7                  | 1                 | 78981               | GREASE LINE                                     |
| 8                  | 1                 | 78980               | GREASE LINE                                     |
| 9                  | 6                 | 54572               | GREASE LINE FITTING, STRAIGHT                   |
| 10                 | 4                 | RG51                | ZERK, 90 DEGREE 1/4-28                          |
| 11                 | 9                 | YBCR12020           | BOLT CARRIAGE, 3/8-16 X 1-1/4 G5 ZC             |
| 12                 | 5                 | YBCR08040           | BOLT CARRIAGE 1/4-20 X 3/4 G5 ZC                |
| 13                 | 1                 | YBFB08125           | BOLT FLANGE, 1/4 X 1-1/4 G5                     |
| 14                 | 1                 | YSKP08005           | SET SCREW, SOCKET, KNURLED CUP PT, 1/4-20 X 1/4 |
| 15                 | 9                 | YNFG12006           | NUT FLANGE, 3/8 GF                              |
| 16                 | 6                 | YNFG08010           | NUT FLANGE, 1/4 GF                              |
| 17                 | 5                 | 83052               | CUSHION WIRE CLAMP, 5/16                        |

**FIGURE 8**  
**BEATER CHAINS & SPROCKETS**

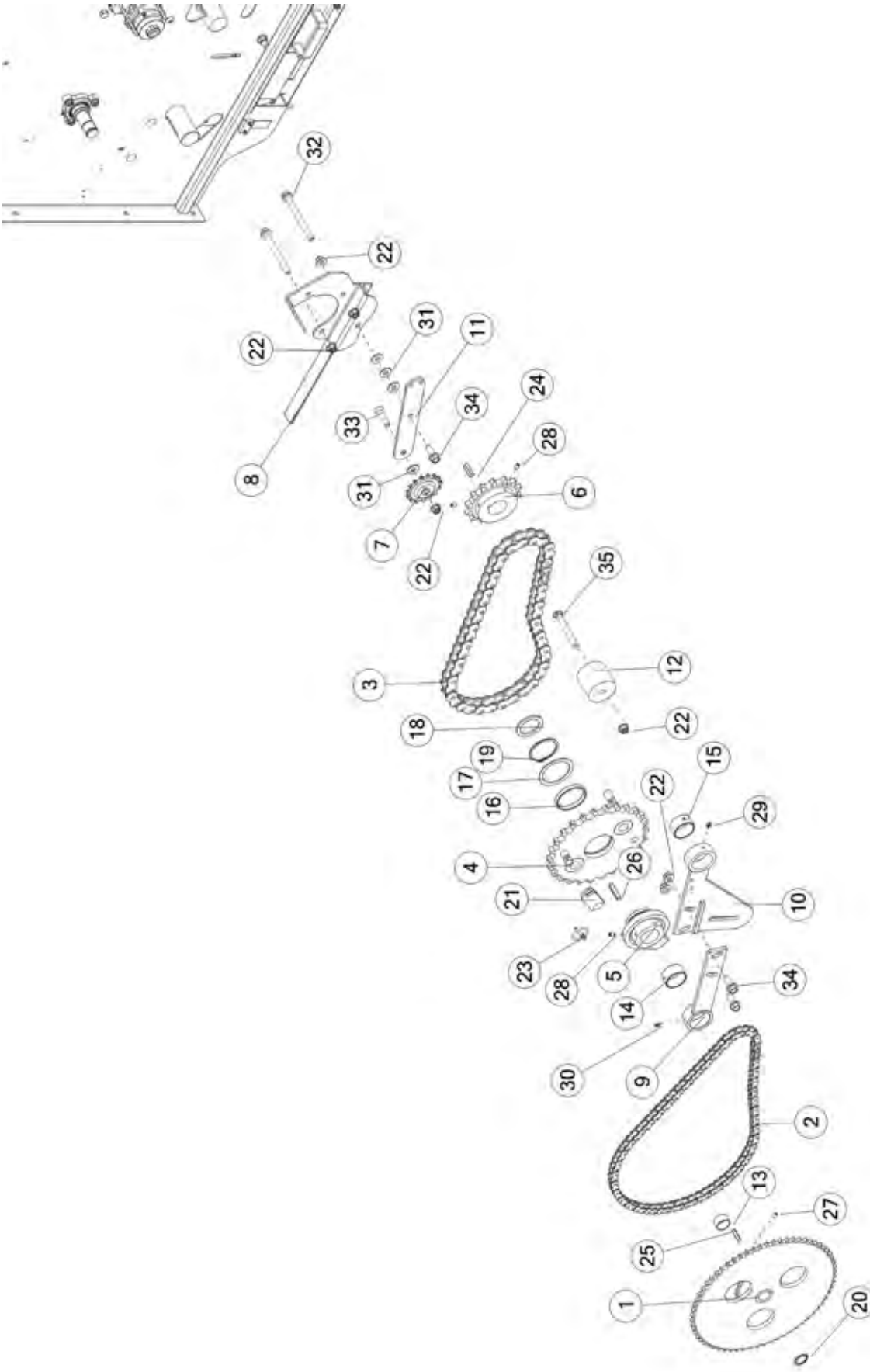


## **FIGURE 8**

### **BEATER CHAINS & SPROCKETS**

| <b><u>ITEM</u></b> | <b><u>QTY</u></b> | <b><u>PART#</u></b> | <b><u>DESCRIPTION</u></b>                        |
|--------------------|-------------------|---------------------|--|
| 1                  | 1                 | S26                 | SPROCKET, 50B20, 1.253 ID                        |
| 2                  | 1                 | S30                 | 2ND BEATER SPROCKET, 30T - 13T                   |
| 3                  | 2                 | K101                | IDLER SPROCKET, 17T                              |
| 4                  | 2                 | SD77                | CHAIN TIGHTENER BAR                              |
| 5                  | 1                 | X58                 | CHAIN, ROLL, #50 X 89 PITCHES, ASSEMBLY          |
| 6                  | 1                 | S31                 | ROLLER CHAIN, #50, 98P                           |
| 7                  | 1                 | SD212               | TENSIONER SPACER                                 |
| 8                  | 2                 | S246                | SHELL HINGE                                      |
| 9                  | 1                 | SD88                | TENSIONER SPACER                                 |
| 10                 | 1                 | 80607               | SPACER   |
| 11                 | 1                 | R27                 | SPRING   |
| 12                 | 2                 | G23B                | SQUARE KEY, 5/16 X 1-3/8                         |
| 13                 | 2                 | YSKP10005           | SET SCREW, SOCKET, KNURLED CUP PT, 5/16-18 X 1/2 |
| 14                 | 2                 | F73                 | SNAP RING, 1-1/4                                 |
| 15                 | 2                 | YWFL24005           | WASHER FLAT, 3/4 USS                             |
| 16                 | 2                 | YWFL16005           | WASHER FLAT, 1/2 USS                             |
| 17                 | 1                 | YBHH16115           | BOLT HEX, 1/2-13 X 3-1/2 G5                      |
| 18                 | 2                 | YBCR16021           | BOLT CARRIAGE, 1/2-13 X 1-3/4 G5 ZC              |
| 19                 | 1                 | YBHH16080           | BOLT HEX, 1/2-13 X 2-1/2 G5                      |
| 20                 | 2                 | YBHH12035           | BOLT HEX, 3/8-16 X 1-1/4 G5                      |
| 21                 | 2                 | YNHX12005           | NUT HEX, 3/8-16 NAA ZC                           |
| 22                 | 4                 | YNFG16003           | NUT FLANGE, 1/2 GF                               |
| 23                 | 2                 | YNFG12006           | NUT FLANGE, 3/8 GF                               |

**FIGURE 9**  
**APRON DRIVE SPROCKET & COMPONENTS**

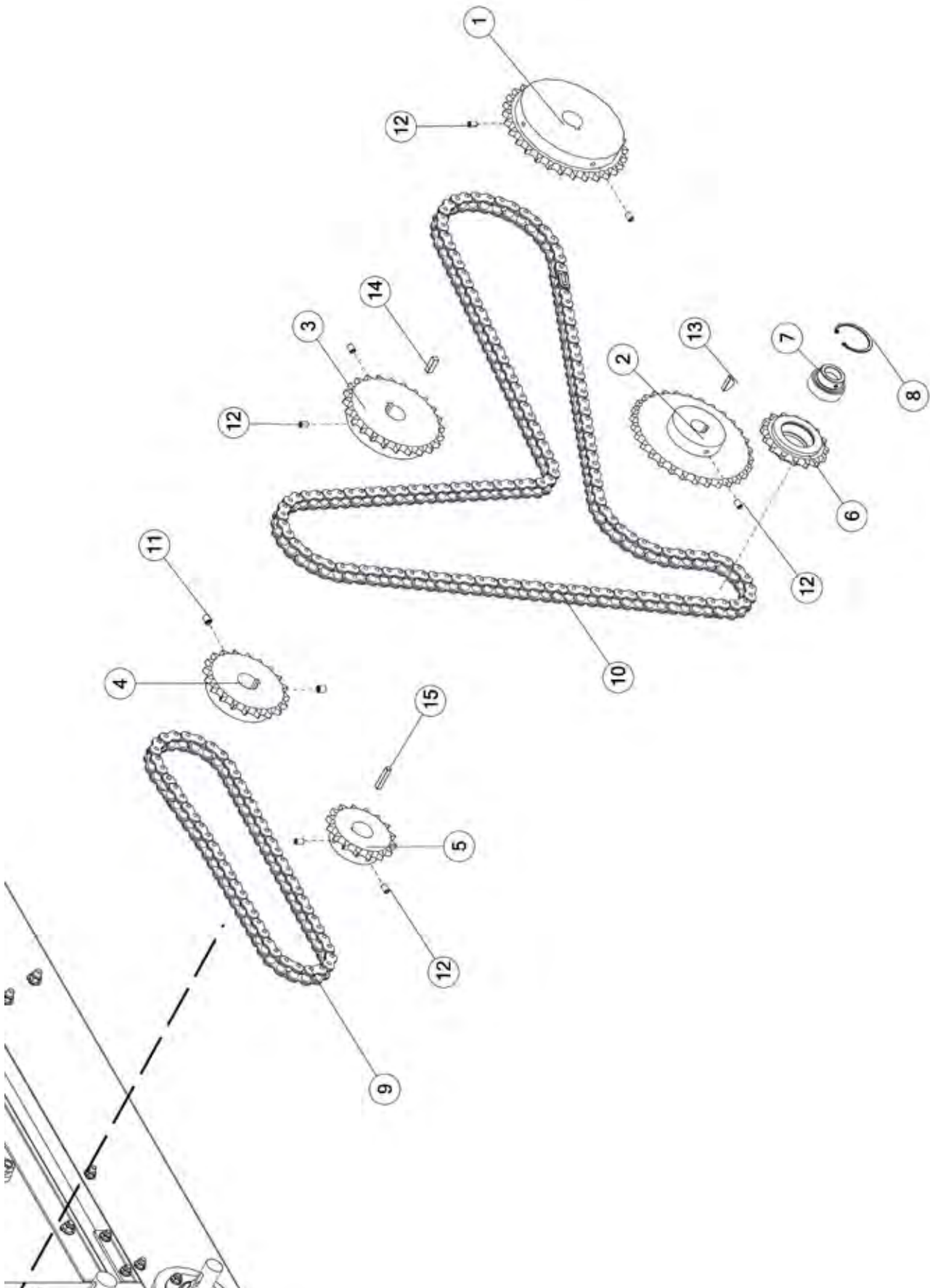


## FIGURE 9

### APRON DRIVE SPROCKET & COMPONENTS

| <u>ITEM</u> | <u>QTY</u> | <u>PART#</u> | <u>DESCRIPTION</u>                               |
|-------------|------------|--------------|--|
| 1           | 1          | SD15         | 1ST BEATER SPROCKET (20 TO 65 TOOTH)             |
| 2           | 1          | SD14         | ROLLER CHAIN, #60, 85P                           |
| 3           | 1          | SD20         | ROLLER CHAIN, #100, 47P                          |
| 4           | 1          | SD23         | CLUTCH SPROCKET                                  |
| 5           | 1          | 72694        | CLUTCH DOG                                       |
| 6           | 1          | SD17         | SPROCKET, 100B14, 2.00 ID                        |
| 7           | 1          | 12N42        | IDLER SPROCKET, 15T                              |
| 8           | 1          | SD42         | CLUTCH PIVOT                                     |
| 9           | 1          | 86830        | DRIVE SHAFT BRACE                                |
| 10          | 1          | SD18         | GEARBOX BRACE                                    |
| 11          | 1          | SD87         | PRIMARY TIGHTENER BAR                            |
| 12          | 1          | SD84         | POLY TIGHTENER                                   |
| 13          | 1          | 78976        | SPACER, 0.77                                     |
| 14          | 1          | 72652        | BRONZE BUSHING                                   |
| 15          | 1          | SD16         | DRIVE SHAFT BRACE BUSHING                        |
| 16          | 1          | 72705        | BRONZE BUSHING, 3 X 3-1/4 X .45                  |
| 17          | 1          | 72712        | CLUTCH SPROCKET SHIM                             |
| 18          | 1          | 72680        | DRIVE SHAFT SHIM                                 |
| 19          | 1          | SD202        | STANDARD EXTERNAL SNAP RING, 3                   |
| 20          | 1          | F73          | SNAP RING, 1-1/4                                 |
| 21          | 1          | PB191        | CLUTCH PIN                                       |
| 22          | 7          | YNFG16003    | NUT FLG, 1/2 GF                                  |
| 23          | 1          | YPLY06010    | LYNCH PIN, 3/16 X 1-9/16                         |
| 24          | 1          | G139         | SQUARE KEY, 3/8 X 1-1/2                          |
| 25          | 1          | G23B         | SQUARE KEY, 5/16 X 1-3/8                         |
| 26          | 1          | PB87         | SQUARE KEY, 3/8 X 2                              |
| 27          | 1          | YSKP10005    | SET SCREW, SOCKET, KNURLED CUP PT, 5/16-18 X 1/2 |
| 28          | 3          | YSKP12010    | SET SCREW, SOCKET, KNURLED CUP PT, 3/8-16 X 1/2  |
| 29          | 1          | RG51         | ZERK, 90 DEGREE 1/4-28                           |
| 30          | 1          | G89          | STRAIGHT ZERK, 1/4-28                            |
| 31          | 4          | YWFL16005    | WASHER FLAT, 1/2 USS                             |
| 32          | 2          | YBFB16600    | BOLT FLANGE, 1/2 X 6 G5                          |
| 33          | 1          | YSFS16035    | SCREW FLAT SOK, 1/2-13 X2-1/4 BO                 |
| 34          | 3          | YBFB16150    | BOLT FLANGE, 1/2 X 1-1/2 G5                      |
| 35          | 1          | YBCR16050    | BOLT CARRIAGE, 1/2-13 X 4-1/2 G5 ZC              |

# **FIGURE 10** **FRONT DRIVE CHAIN & COMPONENTS**

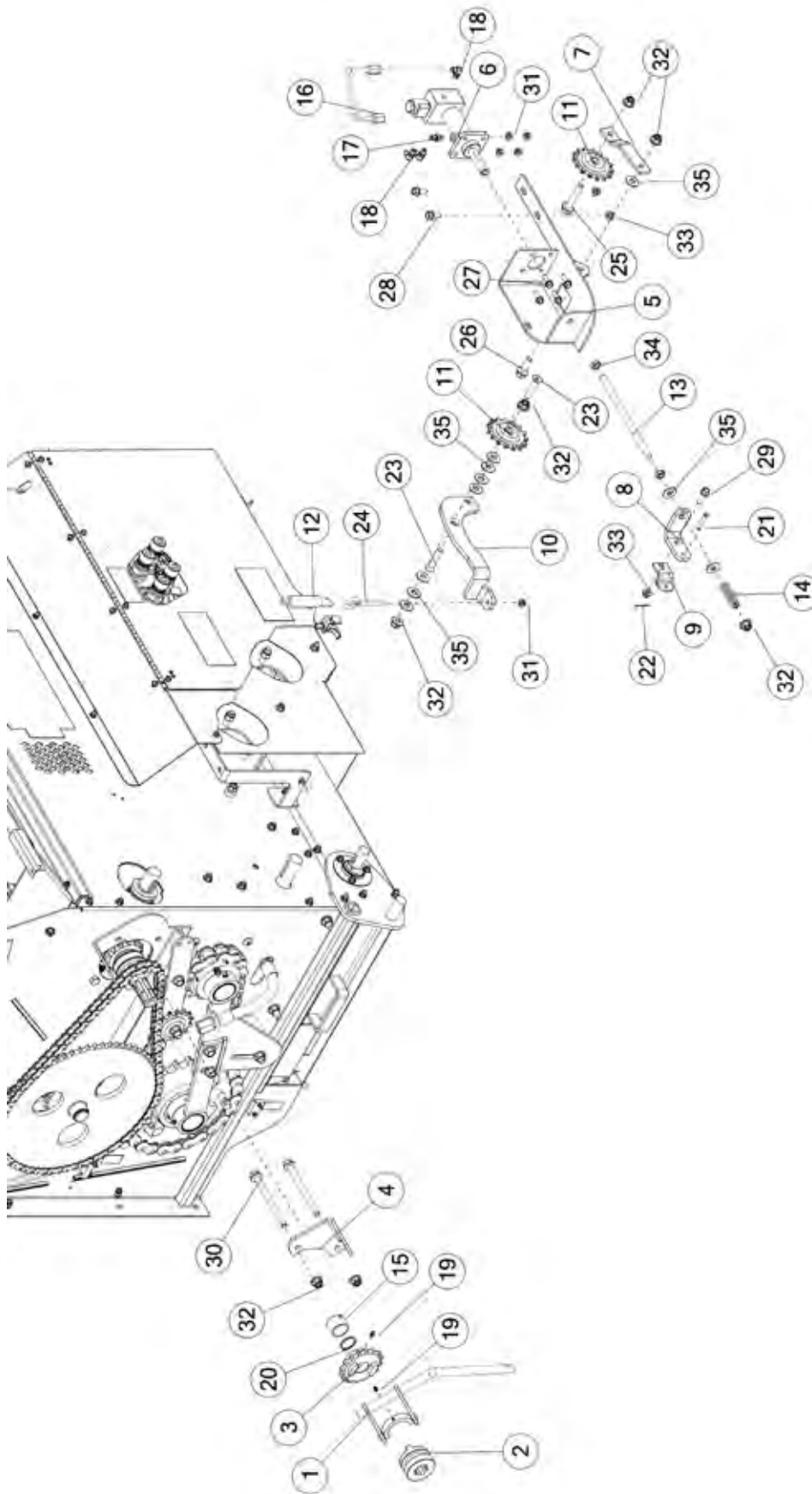




**FIGURE 10**  
**FRONT DRIVE CHAIN & COMPONENTS**

| <b><u>ITEM</u></b> | <b><u>QTY</u></b> | <b><u>PART#</u></b> | <b><u>DESCRIPTION</u></b>                        |
|--------------------|-------------------|---------------------|--|
| 1                  | 1                 | SD238               | SPROCKET, 60B30, 1.25 ID                         |
| 2                  | 1                 | SD225               | 60-B-30 SPROCKET                                 |
| 3                  | 1                 | SD25                | SPROCKET, 60B24, 1.25 ID                         |
| 4                  | 1                 | 37N71               | SPROCKET, 60B20, 1.25 ID                         |
| 5                  | 1                 | SD290               | SPROCKET, 60B16, 1.25 ID                         |
| 6                  | 1                 | SD28                | IDLER SPROCKET                                   |
| 7                  | 1                 | K90                 | BEARING & LOCK COLLAR                            |
| 8                  | 1                 | K92                 | INTERNAL STANDARD SNAP RING, 2.06                |
| 9                  | 1                 | SD228               | ROLLER CHAIN, #60, 55P                           |
| 10                 | 1                 | SD222               | ROLLER CHAIN, #60, 155P                          |
| 11                 | 2                 | YSKP12010           | SET SCREW, SOCKET, KNURLED CUP PT, 3/8-16 X 1/2  |
| 12                 | 7                 | YSKP10005           | SET SCREW, SOCKET, KNURLED CUP PT, 5/16-18 X 1/2 |
| 13                 | 1                 | 5B10                | WDF KEY, 1/4 X 1                                 |
| 14                 | 1                 | WM121               | SQUARE KEY, 5/16 X 1                             |
| 15                 | 1                 | PB218               | SQUARE KEY, 1/4 X 1-1/2                          |

# **FIGURE 11** **FRONT DRIVE & COMPONENTS**

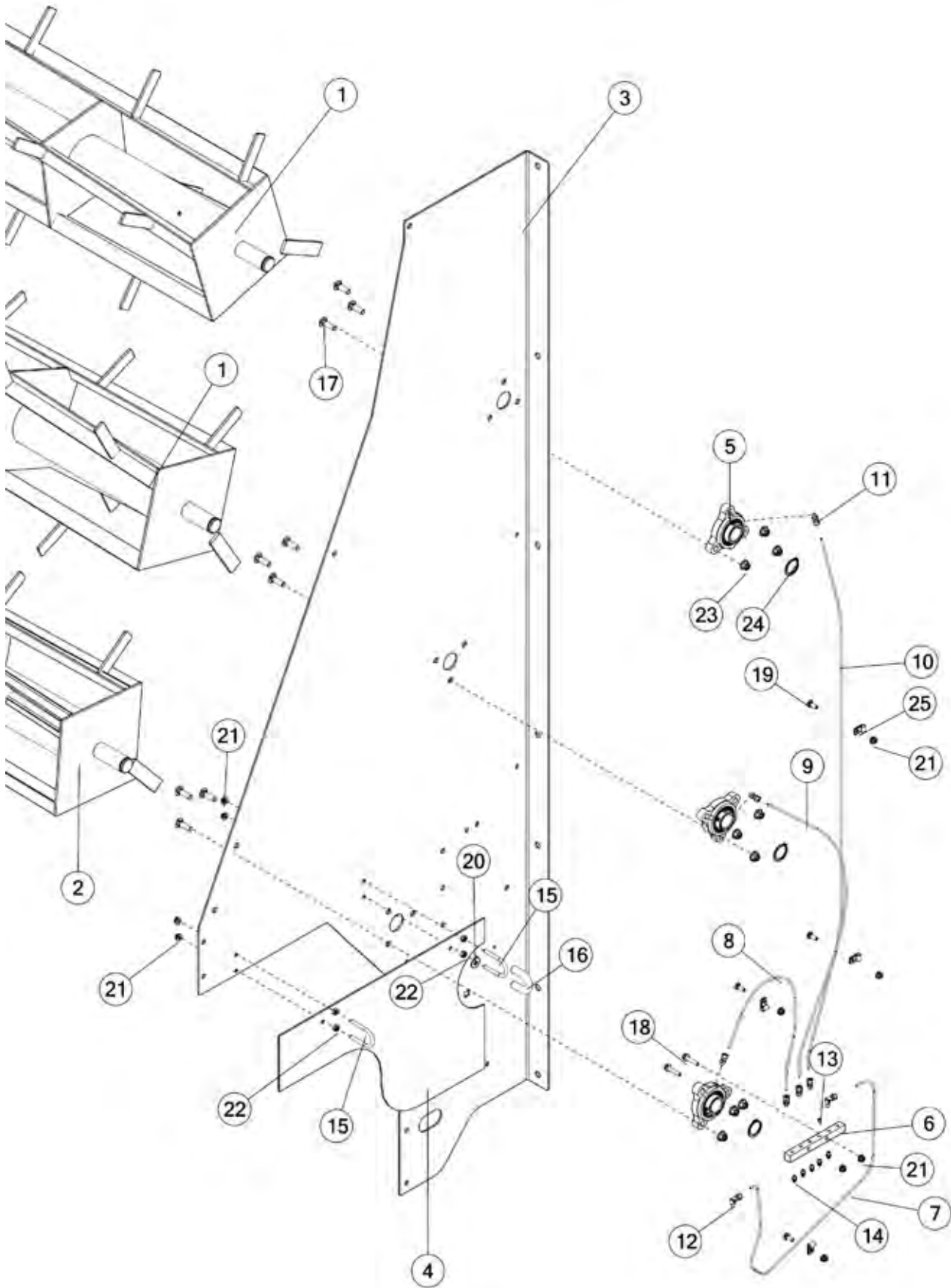


# FIGURE 11

## FRONT DRIVE & COMPONENTS

| <u>ITEM</u> | <u>QTY</u> | <u>PART#</u> | <u>DESCRIPTION</u>                     |
|-------------|------------|--------------|--|
| 1           | 1          | SD41         | SHIFTER FORK                           |
| 2           | 1          | SD45         | CLUTCH SLIDING                         |
| 3           | 1          | SDAS26       | BEATER CLUTCH SPROCKET                 |
| 4           | 1          | SD40         | SHIFTER BRACKET                        |
| 5           | 1          | SD231        | SHIFTER CYLINDER MOUNT                 |
| 6           | 1          | SD280        | SHIFTER CYLINDER COMPLETE              |
| 7           | 1          | SD229        | WORM CHAIN TIGHTENER                   |
| 8           | 1          | SD94         | SHIFTER FORK END                       |
| 9           | 1          | SD152        | SHIFTER FORK END OFFSET                |
| 10          | 1          | SD91         | CHAIN TIGHTENER PRIMARY                |
| 11          | 2          | 12N42        | IDLER SPROCKET, 15T                    |
| 12          | 1          | R27          | SPRING                                 |
| 13          | 1          | SD235        | SHIFTING ROD                           |
| 14          | 1          | S111         | SPRING                                 |
| 15          | 1          | SDMS27       | BRONZE BUSHING                         |
| 16          | 1          | SD276        | STEEL LINE                             |
| 17          | 1          | 58094        | FTG,ST,4JIC,4ORB,STL                   |
| 18          | 3          | GM30         | FITTING, 90, 4JIC X 4ORB               |
| 19          | 2          | G89          | ZERK, 1/4-28 STRAIGHT                  |
| 20          | 1          | SD85         | SNAPP RING, SH-137                     |
| 21          | 1          | YPCV10005    | CLEVIS PIN, 5/16 X 1-3/4               |
| 22          | 1          | YPCT04005    | COTTER PIN, 1/8 X 1                    |
| 23          | 2          | YSFS16035    | BOLT FLAT SOK, 1/2-13 X2-1/4 BO        |
| 24          | 1          | YBTE10015    | BOLT TURNED EYE, 5/16-18 x 2-5/8 96 ZC |
| 25          | 1          | YBFB16275    | BOLT FLANGE, 1/2 X 2-3/4 G5            |
| 26          | 1          | YBFB16150    | BOLT FLANGE, 1/2 X 1-1/2 G5            |
| 27          | 4          | YBFB10001    | BOLT FLANGE, 5/16 X 1 G5               |
| 28          | 2          | YBFB12003    | BOLT FLANGE, 3/8 X 1 G5                |
| 29          | 1          | YBFB12125    | BOLT FLANGE, 3/8 X 1-1/4 G5            |
| 30          | 2          | YBFB16600    | BOLT FLANGE, 1/2 X 6 G5                |
| 31          | 5          | YNFG10005    | NUT FLANGE, 5/16 GF                    |
| 32          | 7          | YNFG16003    | NUT FLANGE, 1/2 GF                     |
| 33          | 2          | YNFG12006    | NUT FLANGE, 3/8 GF                     |
| 34          | 2          | YNJM16005    | NUT JAM, 1/2 A                         |
| 35          | 10         | YWFL16005    | WASHER FLAT, 1/2 USS                   |

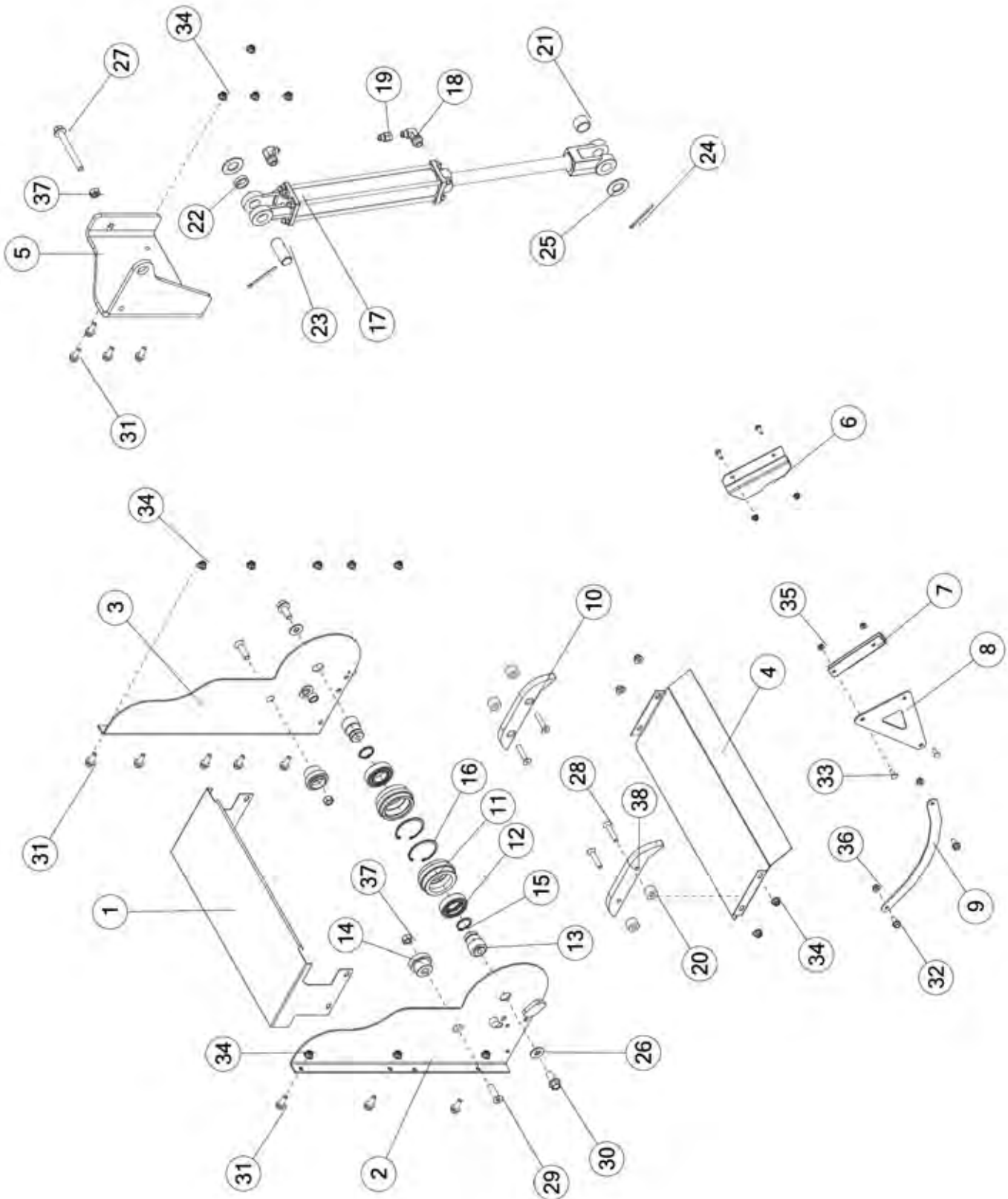
**FIGURE 12**  
**BEATER PANEL & COMPONENTS LH**



**FIGURE 12**  
**BEATER PANEL & COMPONENTS LH**

| <u>ITEM</u> | <u>QTY</u> | <u>PART#</u> | <u>DESCRIPTION</u>                            |
|-------------|------------|--------------|---|
| 1           | 2          | 76201        | BEATER  |
| 2           | 1          | 87857        | 1ST BEATER                                    |
| 3           | 1          | 86785        | UNIT SIDE PANEL, LH                           |
| 4           | 1          | S2           | CROSS APRON SHIELD                            |
| 5           | 3          | 80662        | BEARING 1-1/4                                 |
| 6           | 1          | 72769        | GREASE MANIFOLD, 6, DIST                      |
| 7           | 1          | 78985        | GREASE LINE                                   |
| 8           | 1          | 78982        | GREASE LINE                                   |
| 9           | 1          | 78981        | GREASE LINE                                   |
| 10          | 1          | 78980        | GREASE LINE                                   |
| 11          | 6          | 54572        | GREASE LINE FITTING, STRAIGHT                 |
| 12          | 2          | 8257         | GREASE FITTING                                |
| 13          | 1          | YSKP08005    | SET SCREW, SOCKET, KNURLED CUP PT, 1/4-20x1/4 |
| 14          | 5          | G89          | STRAIGHT ZERK, 1/4-28                         |
| 15          | 2          | YBPU08005    | PIPE U BOLT, 1/4 X 3/4                        |
| 16          | 1          | S1           | SPRING  |
| 17          | 9          | YBCR12020    | BOLT CARRIAGE, 3/8-16 X 1-1/4 G5 ZC           |
| 18          | 2          | YBFB08125    | BOLT FLANGE, 1/4 X 1-1/4 G5                   |
| 19          | 4          | YBCR08040    | BOLT CARRIAGE, 1/4-20 X 3/4 G5 ZC             |
| 20          | 1          | YWFL10005    | WASHER FLAT, 5/16 USS                         |
| 21          | 10         | YNFG08010    | NUT FLANGE, 1/4 GF                            |
| 22          | 4          | YNHX08005    | NUT HEX, 1/4-20 NA A ZC                       |
| 23          | 9          | YNFG12006    | NUT FLANGE, 3/8 GF                            |
| 24          | 3          | F73          | SNAP RING, 1-1/4                              |
| 25          | 4          | 83052        | CUSHION WIRE CLAMP, 5/16                      |

**FIGURE 13**  
**EXTENSION & COMPONENTS**

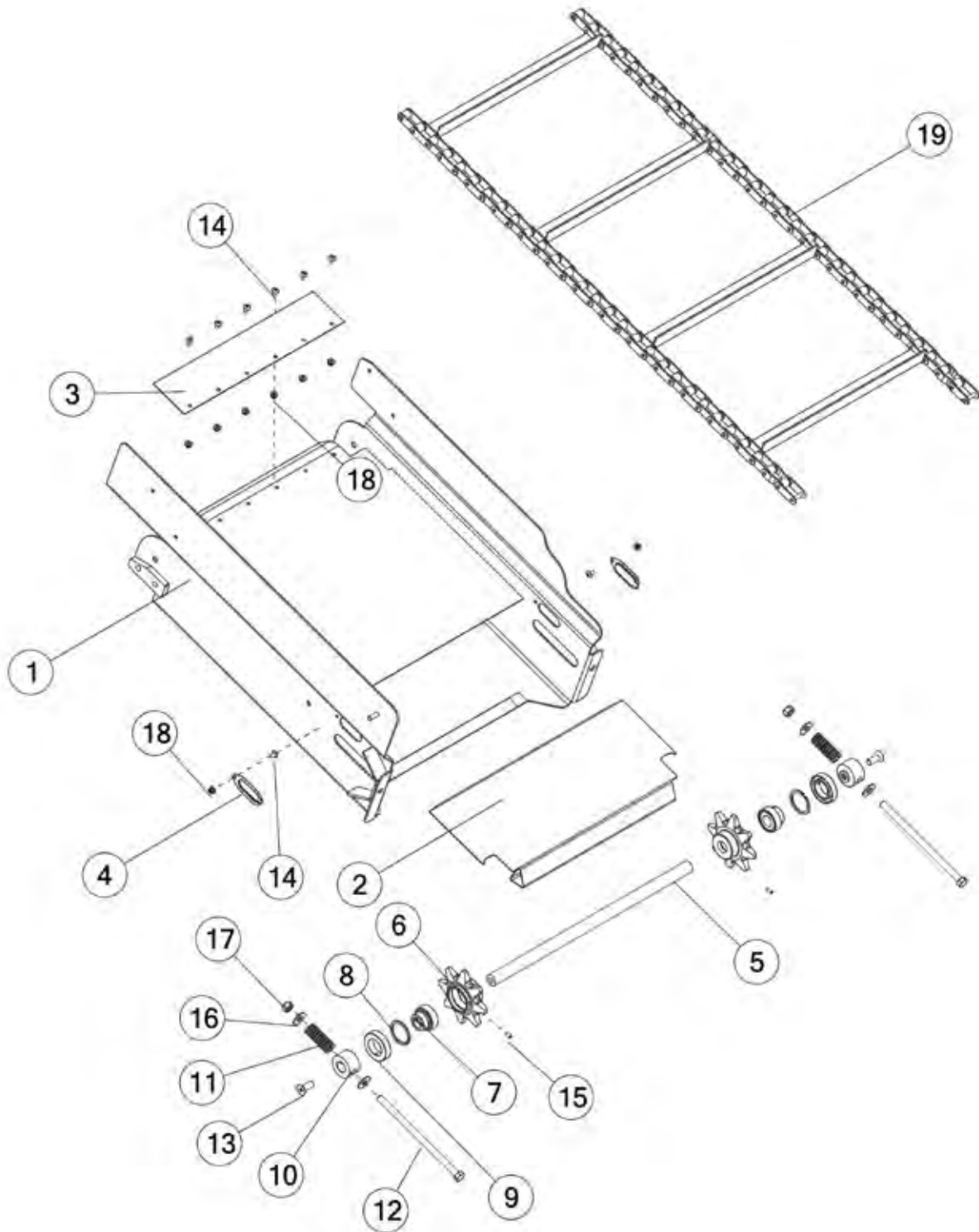


## FIGURE 13

### EXTENSION & COMPONENTS

| <u>ITEM</u> | <u>QTY</u> | <u>PART#</u> | <u>DESCRIPTION</u>                        |
|-------------|------------|--------------|---|
| 1           | 1          | 72775        | PLATE, PAN EXTENSION                      |
| 2           | 1          | 73011        | FRONT PANEL EXTENSION, WELDMENT           |
| 3           | 1          | 72788        | REAR PANEL EXTENSION, WELDMENT            |
| 4           | 1          | 72774        | STL, PANEL, BOTTOM RETURN PAN             |
| 5           | 1          | 80618        | HYDRAULIC BRACKET MOUNT                   |
| 6           | 1          | 77966        | EXTENSION SHIELD, RH                      |
| 7           | 1          | 77965        | EXTENSION SHIELD, LH                      |
| 8           | 1          | 88016        | SENSOR BRACKET                            |
| 9           | 1          | 88017        | SENSOR LINK                               |
| 10          | 1          | 75739        | POLY CHAIN SLIDE, 5/8                     |
| 11          | 1          | 72781        | CHAIN ROLLER, POLY                        |
| 12          | 2          | 72810        | BALL BEARING, 1-1/4 SEALED                |
| 13          | 2          | 87449        | ROUND SHAFT                               |
| 14          | 2          | 80574        | CHAIN ROLLER HOLDOWN                      |
| 15          | 2          | F73          | SNAP RING, 1-1/4                          |
| 16          | 2          | 73378        | INTERNAL STANDARD SNAP RING, 2-1/5        |
| 17          | 1          | 56450        | CYLINDER (3000 PSI) 2 X 12                |
| 18          | 2          | CHM206       | FITTING, 90, 6JIC X 8ORB                  |
| 19          | 1          | 58144        | IN-LINE CONNECTOR, ORIFICE, 6-XHX7-S .062 |
| 20          | 4          | 75746        | SPACER, .69                               |
| 21          | 1          | 69703        | ROUND PIPE                                |
| 22          | 1          | 69704        | ROUND PIPE                                |
| 23          | 1          | 56N141       | CYLINDER PIN, 1 X 2-1/2                   |
| 24          | 2          | YPCT05035    | COTTER PIN, 5/32 X 2-1/2                  |
| 25          | 2          | YWFL32005    | WASHER FLAT, SAE 1 ZINC                   |
| 26          | 2          | YWFL16005    | WASHER FLAT, 1/2 USS                      |
| 27          | 1          | YBFB16450    | BOLT FLANGE, 1/2 X 4-1/2 G5               |
| 28          | 4          | YSFS12017    | BOLT FLAT, SOK, 3/8-16 X 2 BO             |
| 29          | 2          | YSFS16020    | BOLT FLAT, SOK, 1/2-13 X 1-3/4 ZC         |
| 30          | 2          | YBFB16125    | BOLT FLANGE, 1/2 X 1-1/4 G5               |
| 31          | 12         | YBFB12003    | BOLT FLANGE, 3/8 X 1 G5                   |
| 32          | 2          | YBFB10075    | BOLT FLANGE, 5/16 X 3/4 G5                |
| 33          | 4          | YBCR08035    | BOLT CARRIAGE, SN, 1/4-20 X 3/4 G2        |
| 34          | 12         | YNFG12006    | NUT FLANGE, 3/8 GF                        |
| 35          | 4          | YNFG08010    | NUT FLANGE, 1/4 GF                        |
| 36          | 2          | YNFG10005    | NUT FLANGE, 5/16 GF                       |
| 37          | 2          | YNRL16005    | NUT HEX, 1/2-13 LKRS A ZC                 |
| 38          | 1          | 75748        | POLY CHAIN SLIDE, 5/8                     |

**FIGURE 14**  
**EXTENSION & COMPONENTS**



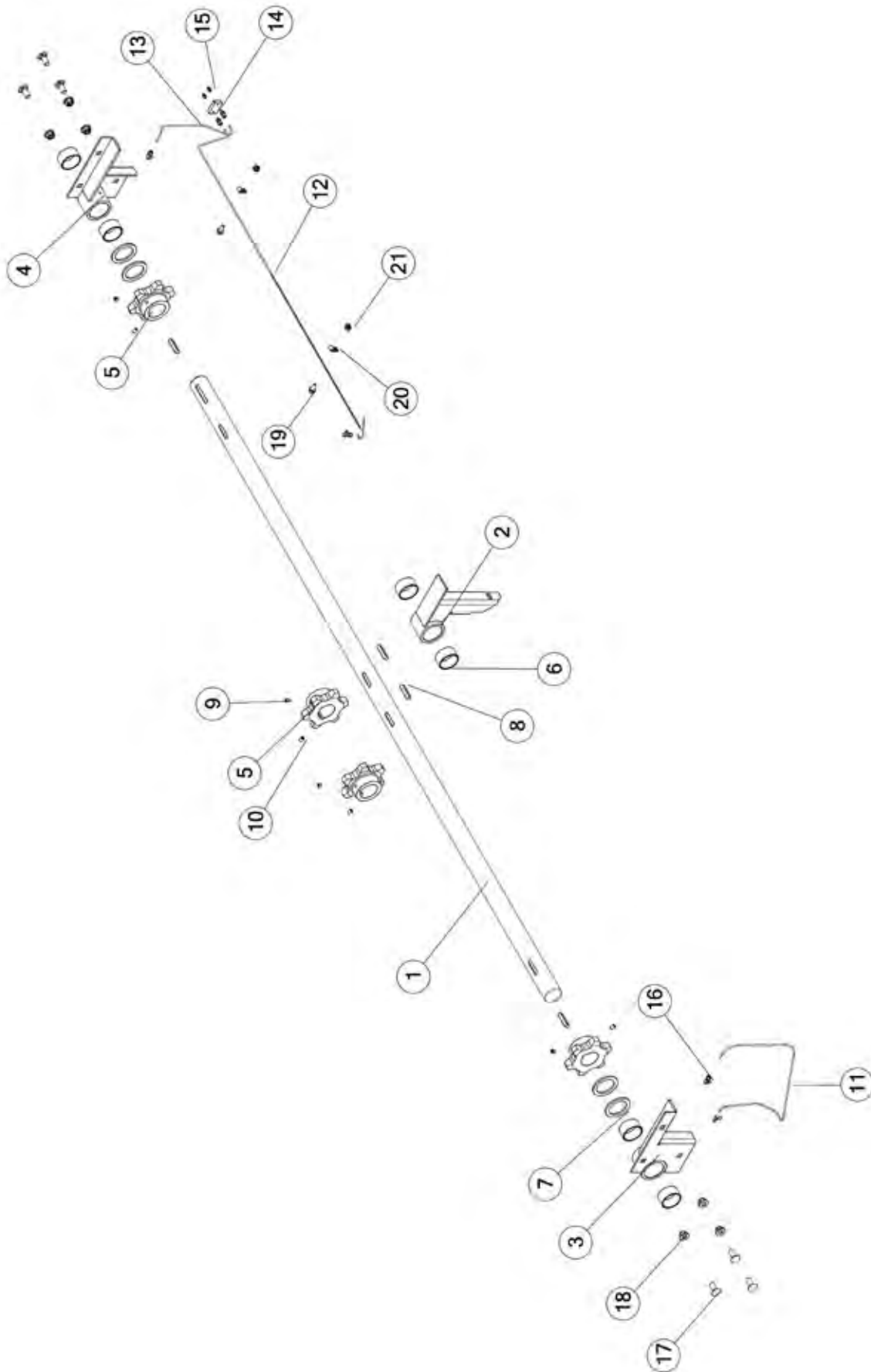


## FIGURE 14

### EXTENSION & COMPONENTS

| <u>ITEM</u> | <u>QTY</u> | <u>PART#</u> | <u>DESCRIPTION</u>                              |
|-------------|------------|--------------|---|
| 1           | 1          | 72794        | SHELL EXTENSION, WELDMENT                       |
| 2           | 1          | 72974        | CHAIN SLIDE                                     |
| 3           | 1          | 76568        | SHEET, 0.06 X 3.75 X 18.25, WHITE POLY          |
| 4           | 2          | SD186        | COVER   |
| 5           | 1          | 72791        | SHAFT, WLDMT, APRON IDLER                       |
| 6           | 2          | SD180        | SPROCKET, 8T                                    |
| 7           | 2          | K90          | BEARING & LOCK COLLAR                           |
| 8           | 2          | SD262        | SNAP RING, IN-206                               |
| 9           | 2          | SD312        | BEARING SHIELD                                  |
| 10          | 2          | SD313        | TIGHTENER BLOCK                                 |
| 11          | 2          | 76537        | BRAKE SPRING                                    |
| 12          | 2          | YBHH16191    | BOLT HEX, 1/2 X 9-1/2 G5 FULL THREAD            |
| 13          | 2          | YSFS16015    | BOLT FLAT SOK, 1/2-13 X 1-1/4 ZC                |
| 14          | 8          | YSTP08005    | TRUSS HEAD PHILLIPS MACH. SCREW, 1/4-20 X 1/2   |
| 15          | 2          | YSKP08011    | SET SCREW, SOCKET, KNURLED CUP PT, 1/4-28 X 1/2 |
| 16          | 4          | YWFL16005    | WASHER FLAT, 1/2 USS                            |
| 17          | 2          | YNRL16005    | NUT HEX, 1/2-13 LKRS A ZC                       |
| 18          | 8          | YNFG08010    | NUT FLANGE, 1/4 GF                              |
| 19          | 1          | SD306        | APRON CHAIN, CA550 X 29, 4 SLATS                |

# **FIGURE 15** **APRON DRIVE & COMPONENTS**

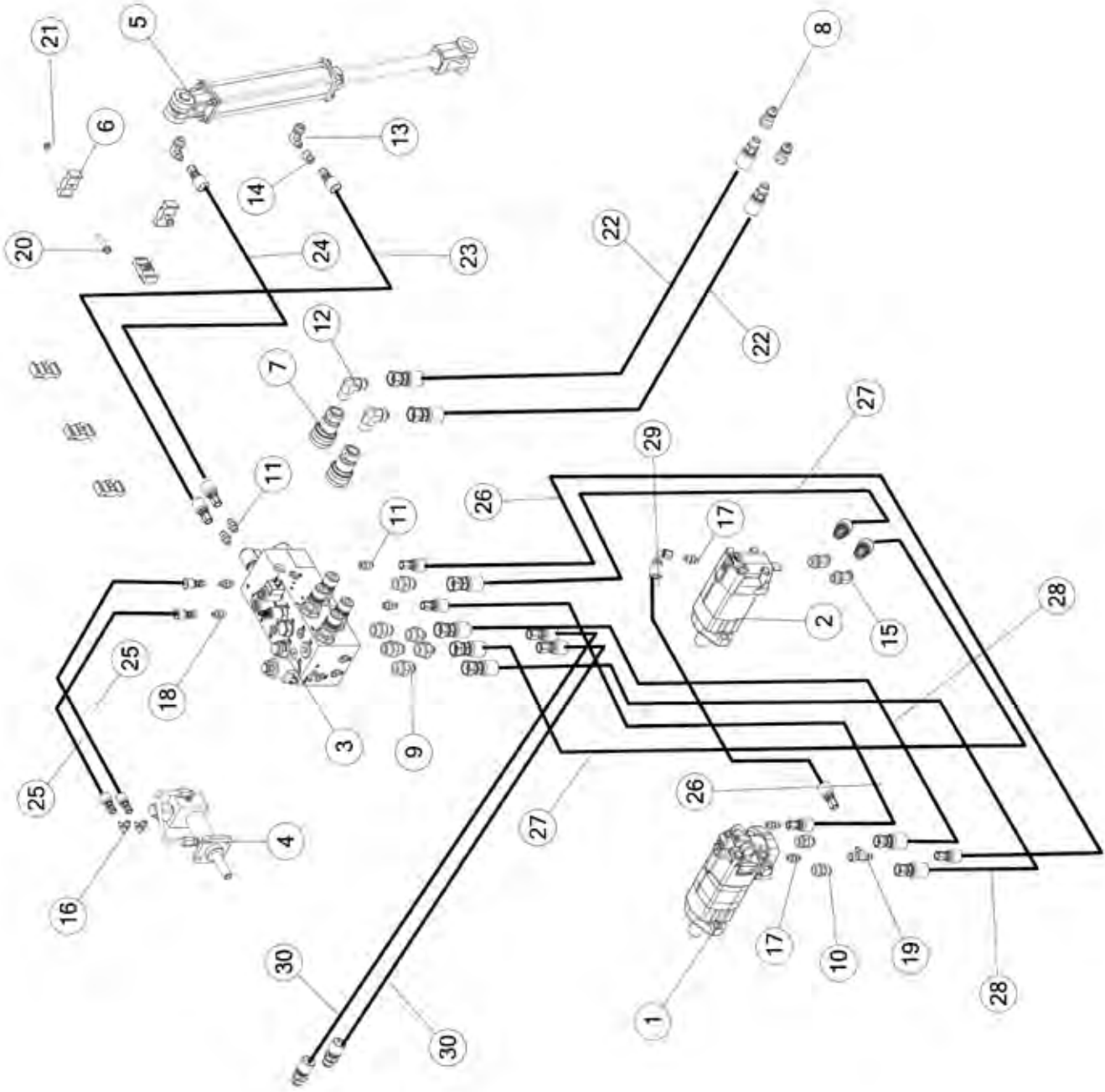


## FIGURE 15

### APRON DRIVE & COMPONENTS

| <u>ITEM</u> | <u>QTY</u> | <u>PART#</u> | <u>DESCRIPTION</u>                                |
|-------------|------------|--------------|---|
| 1           | 1          | 72662        | APRON DRIVE SHAFT                                 |
| 2           | 1          | 72658        | DRIVE SHAFT BRACKET WLDMT, CENTER                 |
| 3           | 1          | 72665        | DRIVE SHAFT BRACKET WLDMT, LH                     |
| 4           | 1          | 72653        | DRIVE SHAFT BRACKET WLDMT, RH                     |
| 5           | 4          | 72669        | 6 TOOTH STEEL SPROCKET                            |
| 6           | 6          | 72652        | BRONZE BUSHING                                    |
| 7           | 4          | 72680        | DRIVE SHAFT SHIM                                  |
| 8           | 4          | 56N174       | SQRE KEY, 3/8 X 2                                 |
| 9           | 4          | YSKP12025    | SET SCREW, SOCKET, KNURLED CUP PT, 3/8"-16 X 3/8" |
| 10          | 4          | YSKP12010    | SET SCREW, SOCKET, KNURLED CUP PT, 3/8-16 X 1/2   |
| 11          | 1          | 78985        | GREASE LINE                                       |
| 12          | 1          | S49          | LONG GREASE LINE                                  |
| 13          | 1          | S48          | SHORT GREASE LINE                                 |
| 14          | 1          | S46          | GREASE ZERK BRACKET                               |
| 15          | 2          | G89          | STRAIGHT ZERK, 1/4-28                             |
| 16          | 6          | 8257         | GREASE FITTING                                    |
| 17          | 6          | YBCR16015    | BOLT CARRIAGE, 1/2-13 X 1-1/4 G5 ZC               |
| 18          | 6          | YNFG16003    | NUT FLANGE, 1/2 GF                                |
| 19          | 2          | YBFB10075    | BOLT FLANGE, 5/16 X 3/4 G5                        |
| 20          | 2          | 83052        | CUSHION WIRE CLAMP 5/16                           |
| 21          | 2          | YNFG10005    | NUT FLANGE, 5/16 GF                               |

**FIGURE 16**  
**HYDRAULIC DRIVE & COMPONENTS**

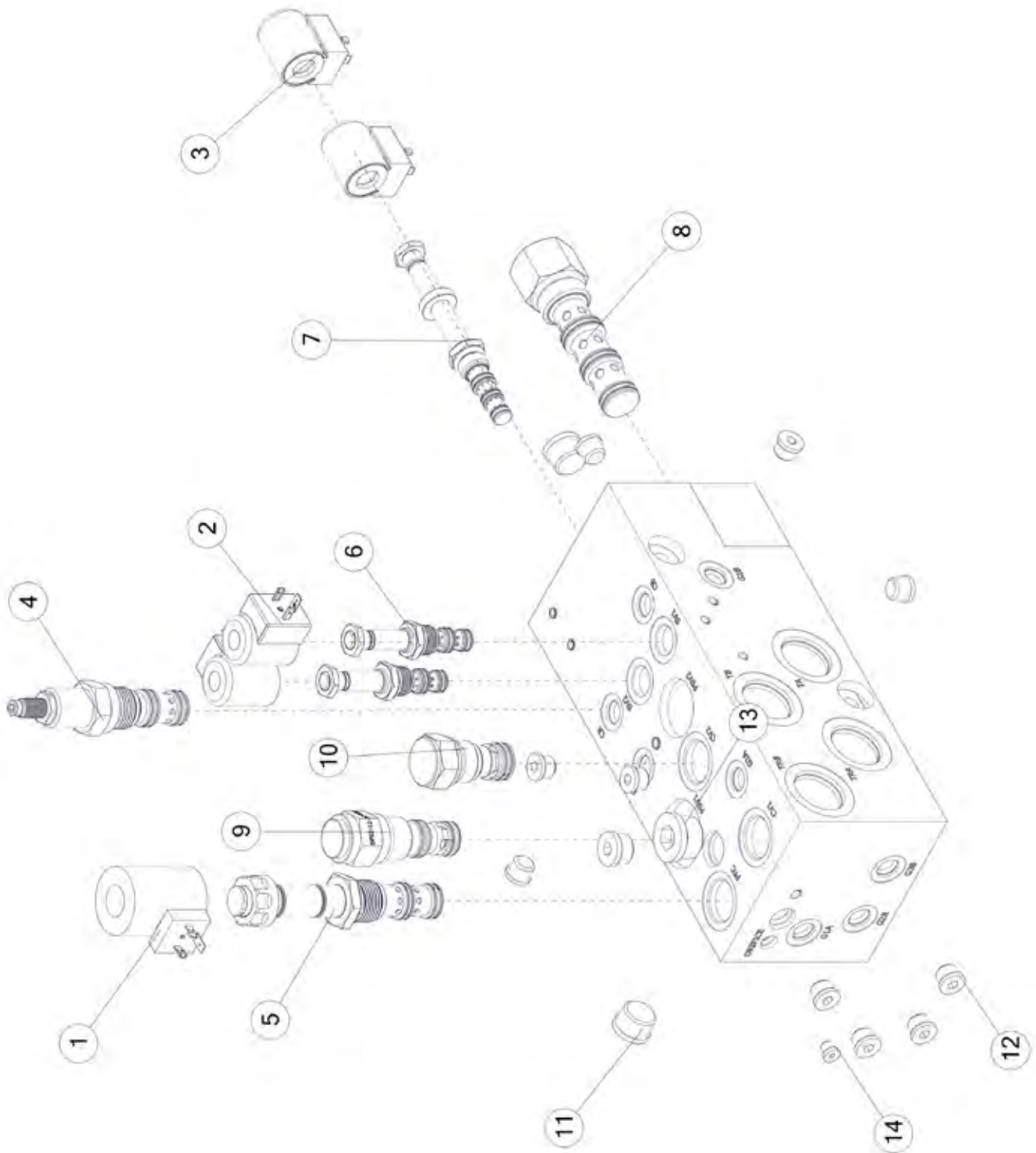


## FIGURE 16

### HYDRAULIC DRIVE & COMPONENTS

| <u>ITEM</u> | <u>QTY</u> | <u>PART#</u> | <u>DESCRIPTION</u>                              |
|-------------|------------|--------------|---|
| 1           | 1          | SD285        | HYDRAULIC MOTOR                                 |
| 2           | 1          | 16SV150      | HYD MOTOR                                       |
| 3           | 1          | SD307        | COMPLETE MANIFOLD                               |
| 4           | 1          | SD280        | SHIFTER CYLINDER COMPLETE                       |
| 5           | 1          | 56450        | CYLINDER (3000 PSI), 2 X 12                     |
| *           | 1          | 56187        | SEAL KIT  |
| 6           | 6          | 86567        | DOUBLE CLAMP, UNIVERSAL                         |
| 7           | 2          | SD266        | QUICK COUPLER FEMALE 3/4"                       |
| 8           | 2          | DWM205       | VMI - MALE QUICK COUPLER S71-4P SAFEWAY HYD TIP |
| 9           | 6          | SD273        | FITTING, ST, 12JIC, 12ORB, STL                  |
| 10          | 2          | GM57         | FITTING, ST, 10JIC, 10ORB, STL                  |
| 11          | 2          | CHM257       | FITTING, ST, 6JIC, 6ORB, STL                    |
| 12          | 2          | SD265        | FITTING, 90, 12JIC X 3/4NPT                     |
| 13          | 2          | CHM206       | FITTING, 90, 6JIC X 8ORB                        |
| 14          | 1          | 58144        | IN-LINE CONNECTOR, ORIFICE, 6-XHX7-S .062       |
| 15          | 2          | CHM175       | FITTING, 45, 10JIC X 10ORB                      |
| 16          | 2          | GM30         | FITTING, 90, 4JIC X 4ORB                        |
| 17          | 1          | CHM300       | FITTING, ST, 6JIC, 4ORB, STL                    |
| 18          | 2          | SD279        | FITTING,ST, 4JIC, 6ORB, STL                     |
| 19          | 1          | CHM242       | FITTING, TEE, 6JIC X 6JIC X 6JIC                |
| 20          | 6          | YBFB10175    | BOLT FLANGE, 5/16 X 1-3/4 G5                    |
| 21          | 6          | YNFG10005    | NUT FLANGE, 5/16 GF                             |
| 22          | 2          | SD264        | HYD HOSE, 12 X 151 IN                           |
| 23          | 1          | SD271        | HYD HOSE, 6 X 133 IN                            |
| 24          | 1          | SD272        | HYD HOSE, 6 X 116 IN                            |
| 25          | 2          | SD275        | HYD HOSE, 4 X 32 IN                             |
| 26          | 2          | SD283        | HYD HOSE, 6 X 45 IN                             |
| 27          | 2          | SD284        | HYD HOSE, 10 X 30 IN                            |
| 28          | 2          | SD282        | HYD HOSE, 10 X 45-1/2 IN                        |
| 29          | 1          | SD286        | HYD HOSE, 6 X 10.5 IN                           |
| 30          | 2          | 86946        | HYD HOSE, 8 X 63 IN                             |

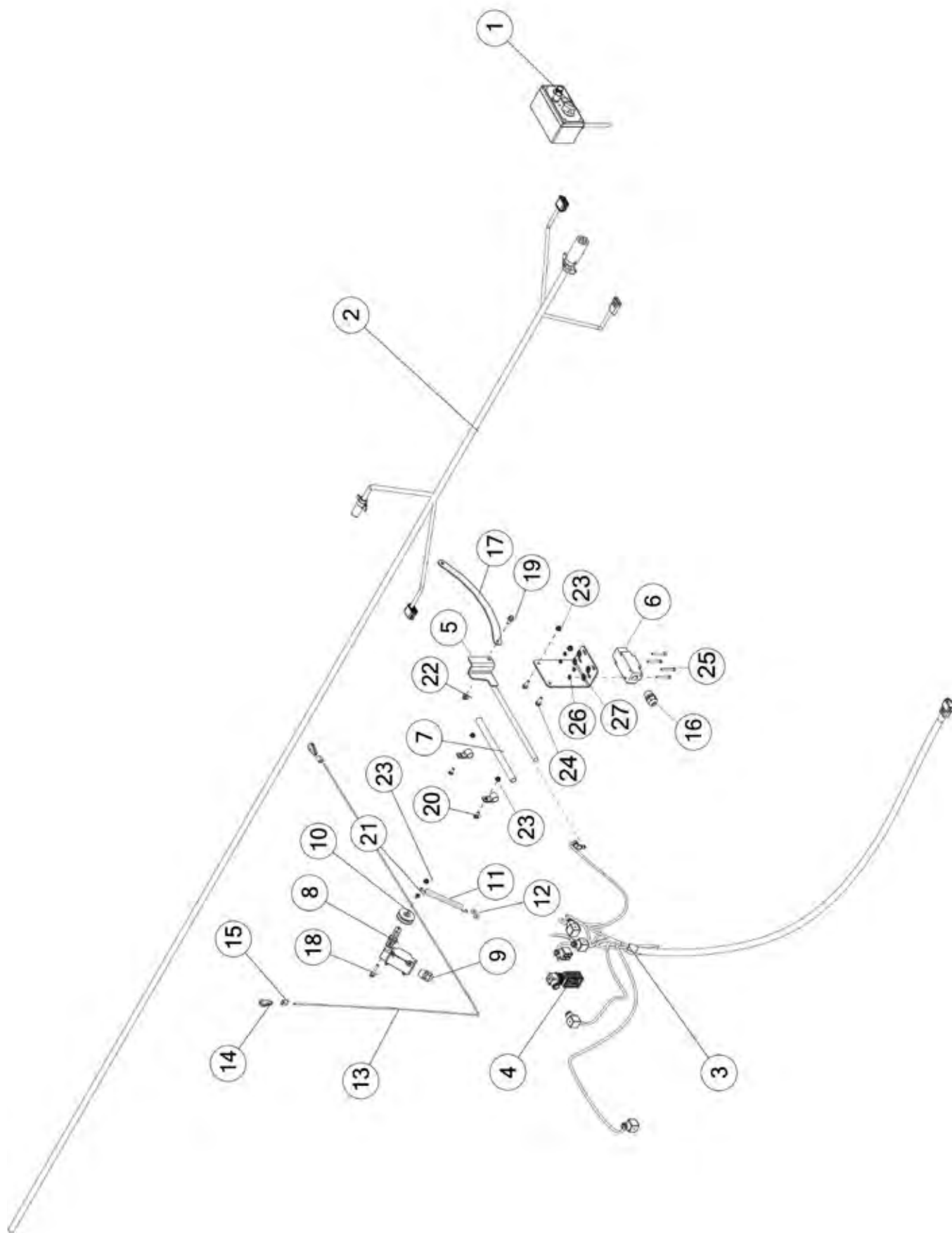
**FIGURE 17**  
**MANIFOLD**



## **FIGURE 17** **MANIFOLD**

| <b><u>ITEM</u></b> | <b><u>QTY</u></b> | <b><u>PART#</u></b> | <b><u>DESCRIPTION</u></b>    |
|--------------------|-------------------|---------------------|------------------------------|
| 1                  | 1                 | SD296               | SOLENOID COIL FLOW CONTROL   |
| 2                  | 2                 | SD299               | SOLENOID COIL                |
| 3                  | 2                 | SD303               | SOLENOID COIL                |
| 4                  | 1                 | SD297               | SEQUENCE VALVE               |
| 5                  | 1                 | SD295               | PROPORTIONAL FLOW CONTROL    |
| 6                  | 2                 | SD300               | SOLENOID VALVE               |
| 7                  | 1                 | SD301               | SOLENOID VALVE               |
| 8                  | 1                 | SD304               | PILOT                        |
| 9                  | 1                 | 56636               | VALVE, DIFFERENTIAL PRESSURE |
| 10                 | 1                 | SD298               | CHECK VALVE                  |
| 11                 | 2                 | 58031               | FITTING, PLUG, 10ORB         |
| 12                 | 10                | SD270               | FITTING, PLUG, 6ORB          |
| 13                 | 1                 | 58056               | FITTING, PLUG, 12ORB         |
| 14                 | 1                 | 87894               | FITTING, PLUG, 2ORB          |
| *                  | 1                 | SD307               | COMPLETE MANIFOLD            |

# **FIGURE 18** **CONTROL BOX, HARNESS & COMPONENTS**



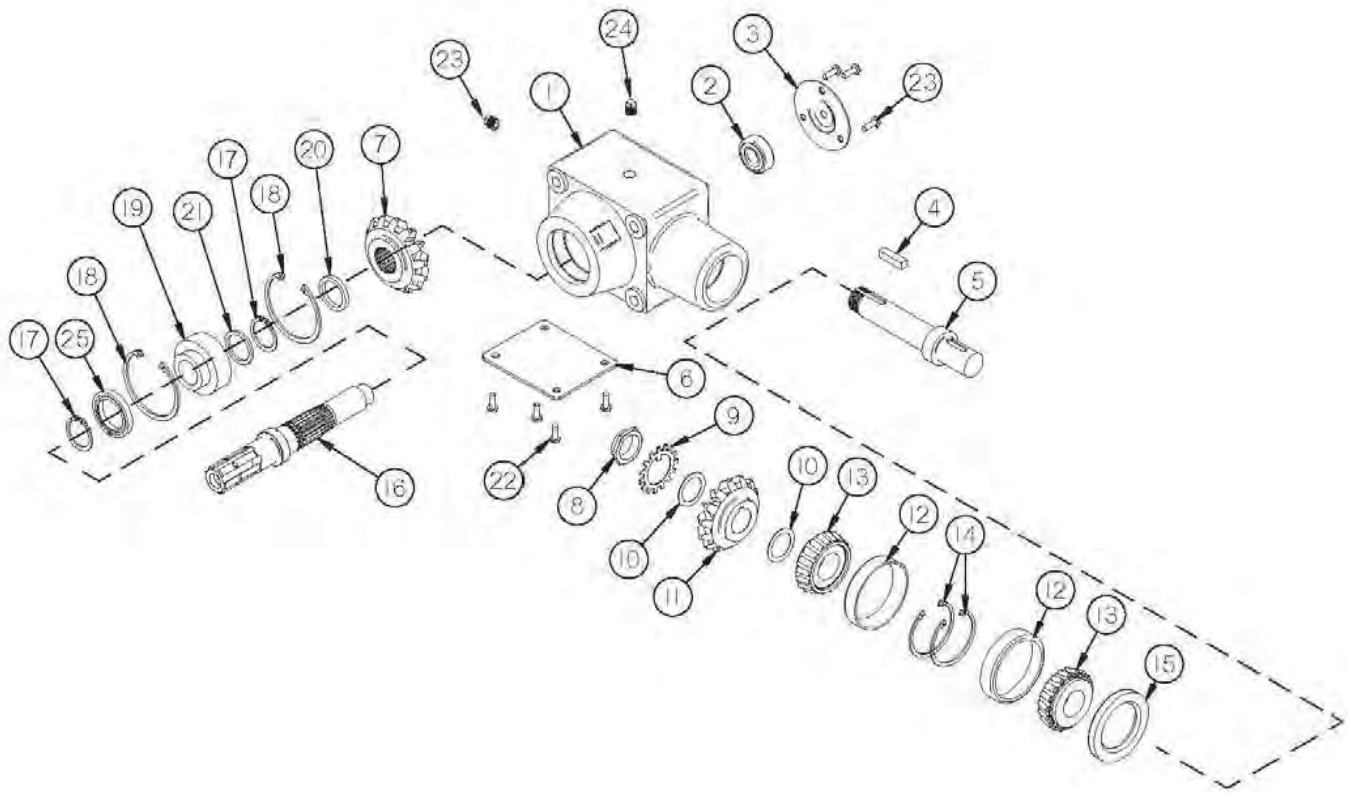


## FIGURE 18

### CONTROL BOX, HARNESS & COMPONENTS

| <u>ITEM</u> | <u>QTY</u> | <u>PART#</u> | <u>DESCRIPTION</u>                |
|-------------|------------|--------------|-----------------------------------|
| 1           | 1          | SD321        | CONTROL BOX                       |
| 2           | 1          | SD259        | SDC-MS-7 MAIN WIRE HARNESS        |
| 3           | 1          | SD260        | ELECTRIC HARNESS, UNIT            |
| 4           | 1          | SD293        | FLOW CONTROL AMPLIFIER            |
| 5           | 1          | 88020        | SENSOR ROD                        |
| 6           | 1          | SD252        | MICRO-SWITCH                      |
| 7           | 1          | 88019        | SENSOR ROD HOLDER                 |
| 8           | 1          | 57244        | MICRO SWITCH W/ SAFETY ARM        |
| 9           | 1          | GD23         | STRAIN RELIEF (CONNECTOR)         |
| 10          | 1          | BFR292       | POLY PULLEY                       |
| 11          | 1          | LW111        | SAFETY SPRING                     |
| 12          | 1          | YMHK91005    | MISC, S-HOOK 0.162 X 1-1/4        |
| 13          | 1          | SD253        | EMERGENCY STOP CABLE              |
| 14          | 2          | ES14         | THIMBLE                           |
| 15          | 2          | ES5          | CABLE SLEEVE, 3/16"               |
| 16          | 1          | GD23         | STRAIN RELIEF (CONNECTOR)         |
| 17          | 1          | 88017        | SENSOR LINK                       |
| 18          | 1          | YBFB08150    | BOLT FLANGE, 1/4 X 1-1/2 G5       |
| 19          | 1          | YBFB10075    | BOLT FLANGE, 5/16 X 3/4 G5        |
| 20          | 3          | YBCR08040    | BOLT CARRIAGE, 1/4-20 X 3/4 G5 ZC |
| 21          | 1          | YNHX08005    | NUT HEX, 1/4-20 NA A ZC           |
| 22          | 1          | YNFG10005    | NUT FLANGE, 5/16 GF               |
| 23          | 3          | YNFG08010    | NUT FLANGE, 1/4 GF                |
| 24          | 2          | YBFB08075    | BOLT FLANGE, 1/4 X 3/4 G5         |
| 25          | 4          | YSHS64009    | BOLT SOCKET, #10-32 X 1-5/8 G8 ZC |
| 26          | 4          | YNHX64005    | NUT HEX, MACHINE, #10-32 NA ZC    |
| 27          | 4          | YWSI64005    | WASHER LOCK, STAR                 |

# **FIGURE 19** **BEATER GEARBOX**



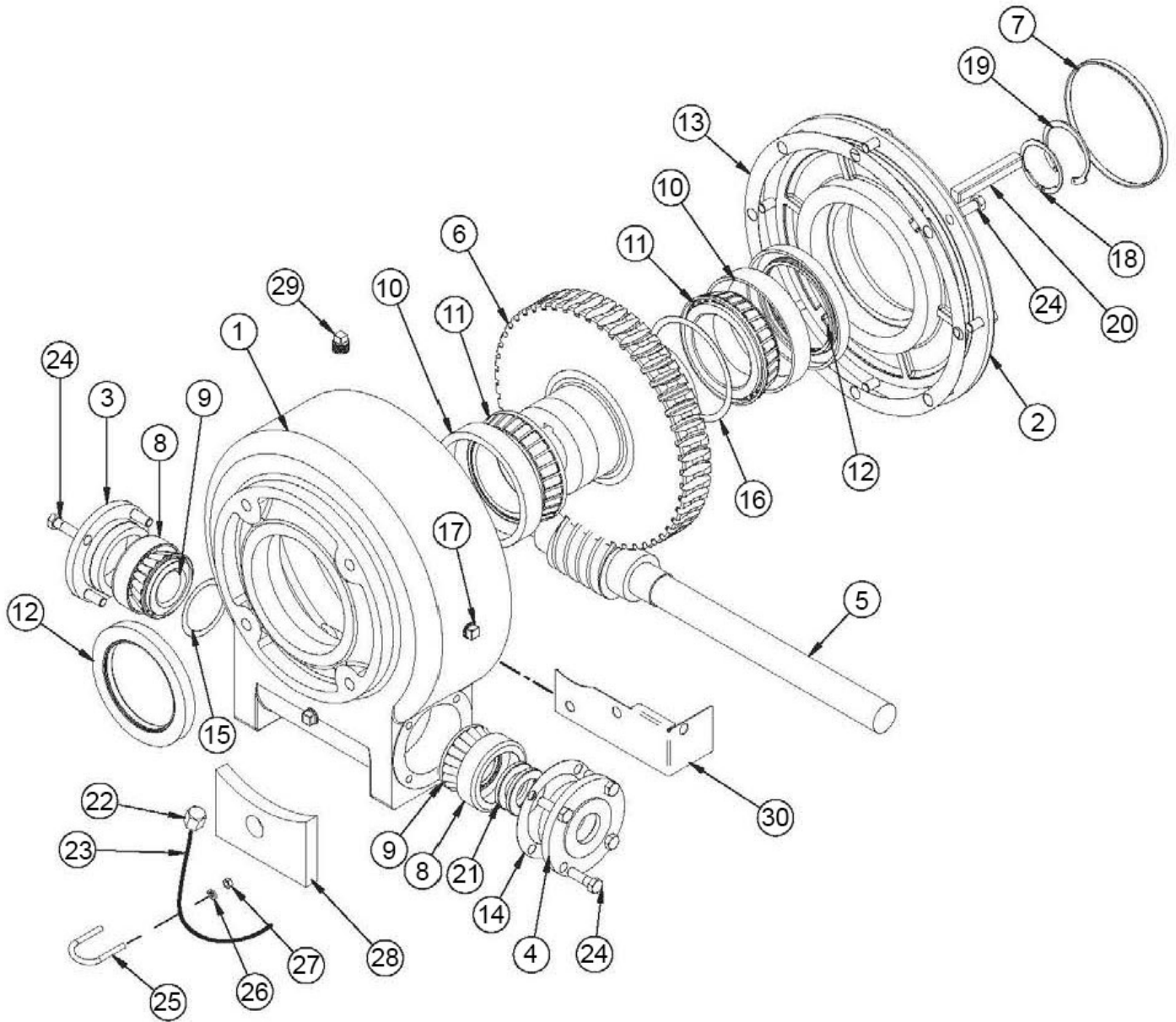
## FIGURE 19

### BEATER GEARBOX

| <u>ITEM</u> | <u>QTY</u> | <u>PART#</u> | <u>DESCRIPTION</u>         |
|-------------|------------|--------------|----------------------------|
| 1           | 1          | SD69         | GEARBOX HOUSING            |
| 2           | 1          | GM259        | BEARING (6205C3)           |
| 3           | 1          | GM258        | COVER                      |
| 4           | 1          | GM264        | KEY, 5/16 X 1              |
| 5           | 1          | SD245        | INPUT SHAFT                |
| 6           | 1          | GM257        | SIDE COVER                 |
| 7           | 1          | GM267        | BEVEL GEAR (SPLINED)       |
| 8           | 1          | GM260        | BEARING LOCK NUT (N-06)    |
| 9           | 1          | GM261        | BEARING LOCK WASHER (W-06) |
| 10          | 2          | GM262        | INPUT SHIM                 |
| 11          | 1          | GM263        | BEVEL GEAR (KEYED)         |
| 12          | 2          | 3G18         | RACE                       |
| 13          | 2          | SD71         | BEARING                    |
| 14          | 2          | SD72         | RETAINING RING             |
| 15          | 1          | SD257        | SEAL                       |
| 16          | 1          | SDSH30       | OUTPUT SHAFT               |
| 17          | 2          | SD85         | RETAINING RING             |
| 18          | 2          | G55          | RETAINING RING             |
| 19          | 1          | SD75         | BEARING (207P)             |
| 20          | 1          | SD103        | GEARBOX BEARING SPACER     |
| 21          | 1          | SD104        | GEARBOX GEAR SPACER        |
| 22          | 7          | YBHH10105    | BOLT HEX, 5/16 X 3/4 G5    |
| 23          | 1          | 58498        | PIPE PLUG SH, 1/2          |
| 24          | 1          | 3G20         | PLASTIC VENT PLUG          |
| 25          | 1          | 8595         | SEAL                       |
| *           | 1          | SD237        | GEARBOX                    |

\* NOT SHOWN

# **FIGURE 20** **WORM GEARBOX**

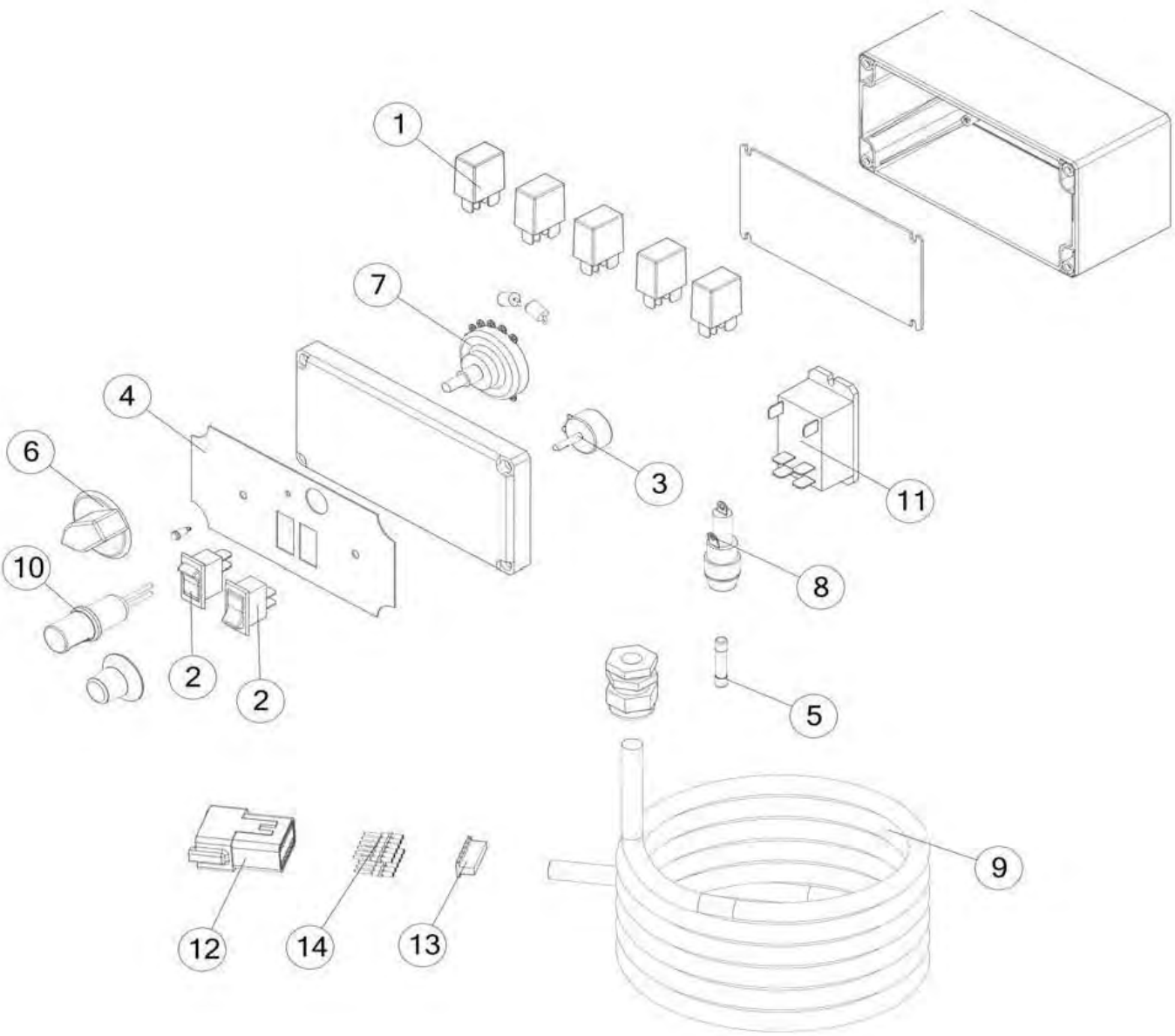


## FIGURE 20 WORM GEARBOX

| <u>ITEM</u> | <u>QTY</u> | <u>PART#</u> | <u>DESCRIPTION</u>        |
|-------------|------------|--------------|---------------------------|
| 1           | 1          | SD116        | HOUSING                   |
| 2           | 1          | SD117        | OUTPUT COVER              |
| 3           | 1          | SD118        | ENDCAP, SOLID             |
| 4           | 1          | SD119        | ENDCAP, THRU              |
| 5           | 1          | SD246        | INPUT WORM SHAFT          |
| 6           | 1          | SD121        | GEAR WHEEL                |
| 7           | 1          | SD122        | CAP                       |
| 8           | 1          | SD123        | RACE                      |
| 9           | 1          | SD124        | BEARING                   |
| 10          | 2          | SD125        | RACE                      |
| 11          | 1          | SD126        | BEARING                   |
| 12          | 1          | SD127        | SEAL, OUTPUT              |
| 13          | 1          | SD128        | GASKET, COVER             |
| 14          | 1          | SD129        | GASKET, INPUT             |
| 15          | 1          | SD130        | INPUT SHIM                |
| 16          | 1          | SD131        | OUTPUT SHIM               |
| 17          | 2          | 58498        | HEX PLUG                  |
| 18          | 1          | SD135        | RETAINING RING (5108-200) |
| 19          | 1          | SD136        | RETAINING RING (5008-250) |
| 20          | 1          | SD137        | SQUARE KEY, 1/2 X 3-1/2   |
| 21          | 1          | SD138        | SEAL, INPUT               |
| 22          | 1          | SD139        | CAP (5406-C-8)            |
| 23          | 1          | SD258        | FILLER HOSE, 10-1/2       |
| 24          | 16         | YBHH12010    | BOLT HEX, 3/8 X 1 G5      |
| 25          | 1          | YBPU08003    | BOLT U, PIPE, 1/ X 1/2    |
| 26          | 2          | YWLO08005    | WASHER, LOCK, 1/4         |
| 27          | 2          | YNHX08005    | NUT HEX, 1/4              |
| 28          | 1          | 56966        | WORM BOX SHIELD           |
| 29          | 1          | SD134        | VENT                      |
| *           | 1          | SD230        | GEARBOX                   |
| 30          | 1          | SD316        | WORM BOX SHIELD           |

\* NOT SHOWN

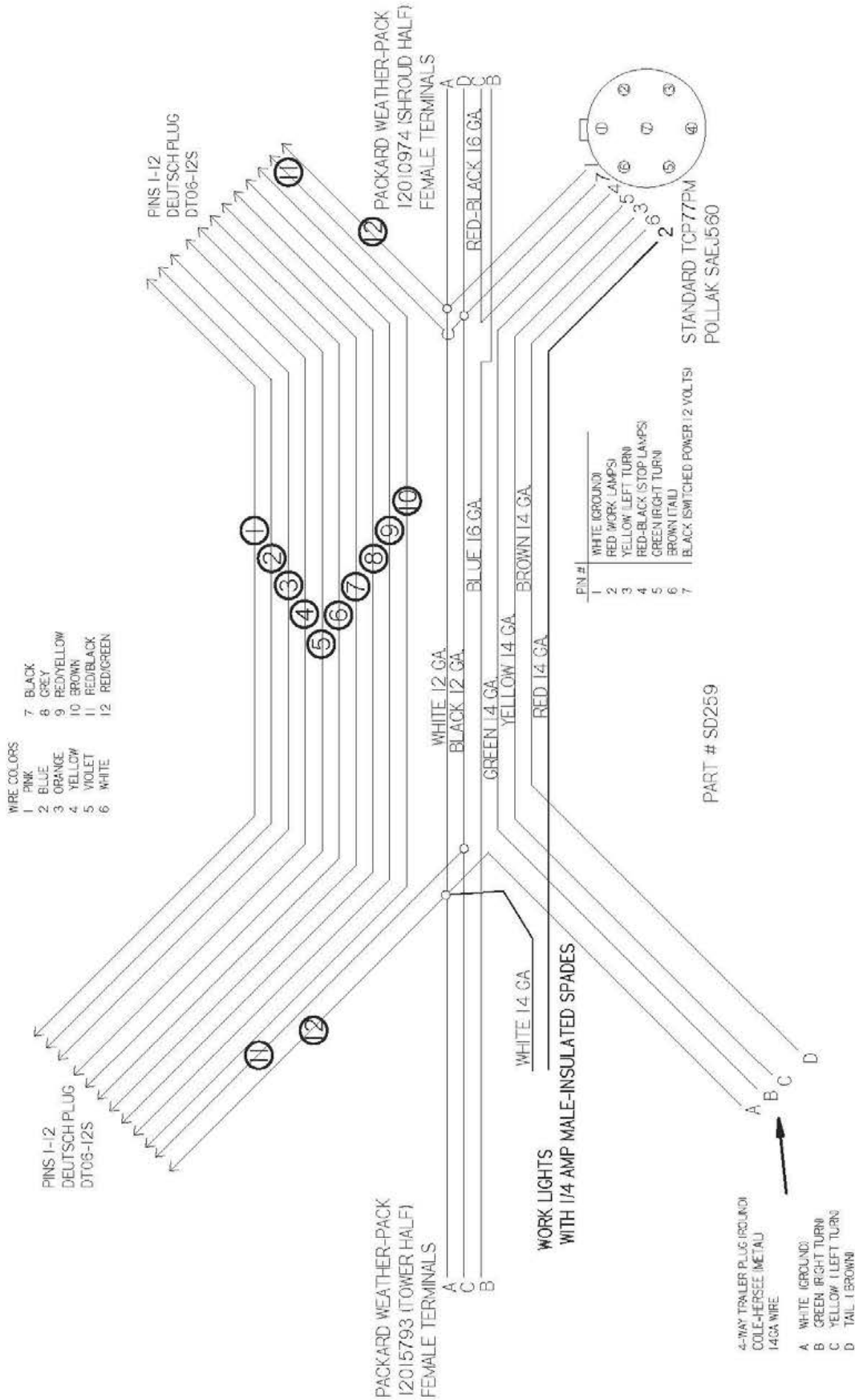
**FIGURE 21**  
**CONTROL BOX**



## **FIGURE 21** **CONTROL BOX**

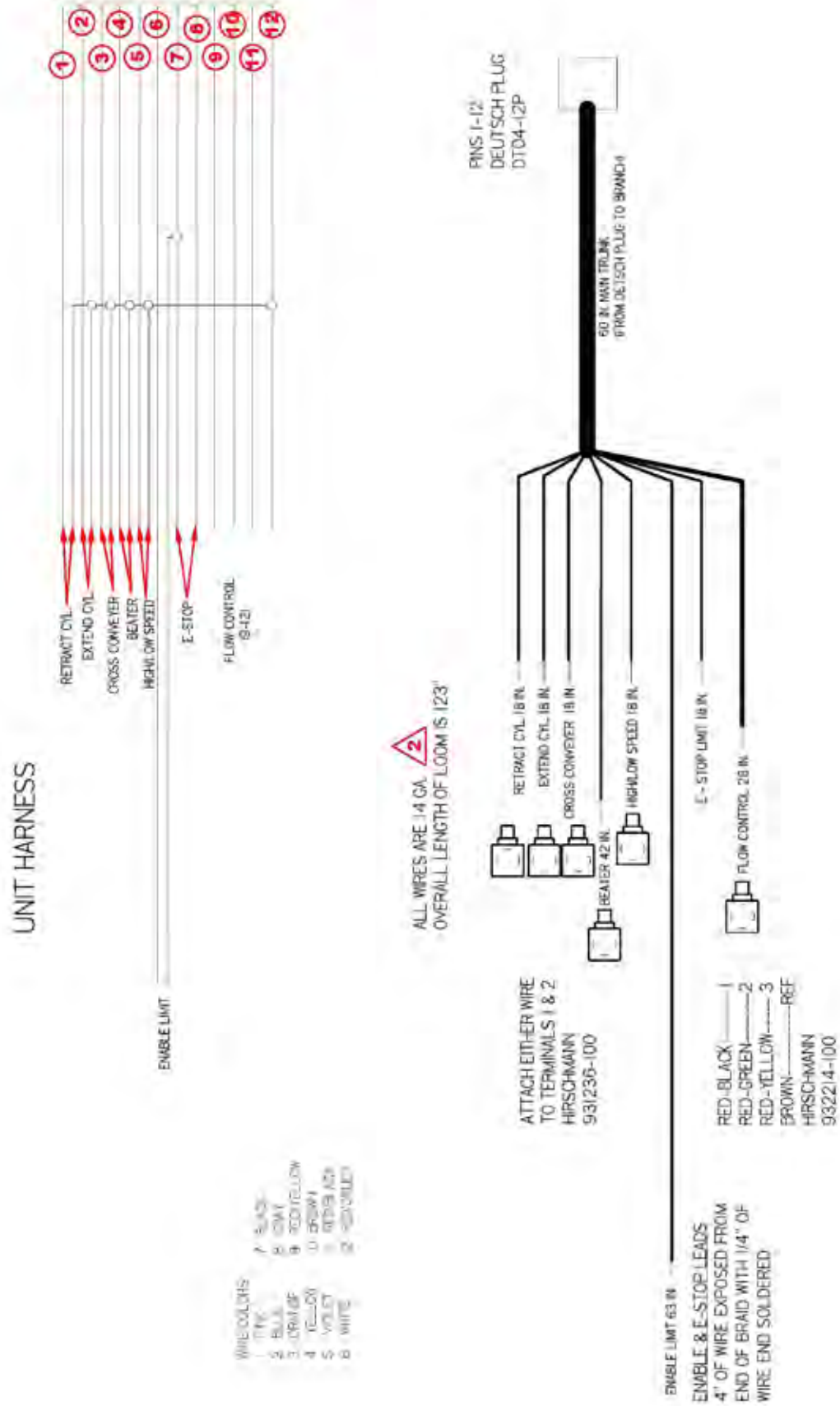
| <b><u>ITEM</u></b> | <b><u>QTY</u></b> | <b><u>PART#</u></b> | <b><u>DESCRIPTION</u></b>                 |
|--------------------|-------------------|---------------------|---|
| 1                  | 5                 | 59189               | RELAY SPDT                                |
| 2                  | 2                 | 59191               | ROCKER SWITCH                             |
| 3                  | 1                 | 59192               | POTENTIOMETER 10K                         |
| 4                  | 1                 | 59193               | NAMEPLATE                                 |
| 5                  | 1                 | 59194               | FUSE 12 AMP.                              |
| 6                  | 1                 | 59198               | SWITCH KNOB                               |
| 7                  | 1                 | 59200               | 6 POSITION SELECTOR                       |
| 8                  | 1                 | 59202               | FUSE HOLDER                               |
| 9                  | 1                 | 59203               | 18 GA. 12 CONDUCTOR                       |
| 10                 | 1                 | 59205               | INSTRUMENT LIGHT HOLDER                   |
| 11                 | 1                 | 59207               | RELAY DPDT                                |
| 12                 | 1                 | SE4153              | 12 PIN RECEPTACLE HOUSING                 |
| 13                 | 1                 | SE4154              | LOCKING WEDGE FOR 12 PIN RECEPTACLE       |
| 14                 | 12                | SE215               | DEUTSCH PIN, SOLID CRIMP TYPE, #14-16 AWG |

# FIGURE 22 MAIN WIRING HARNESS

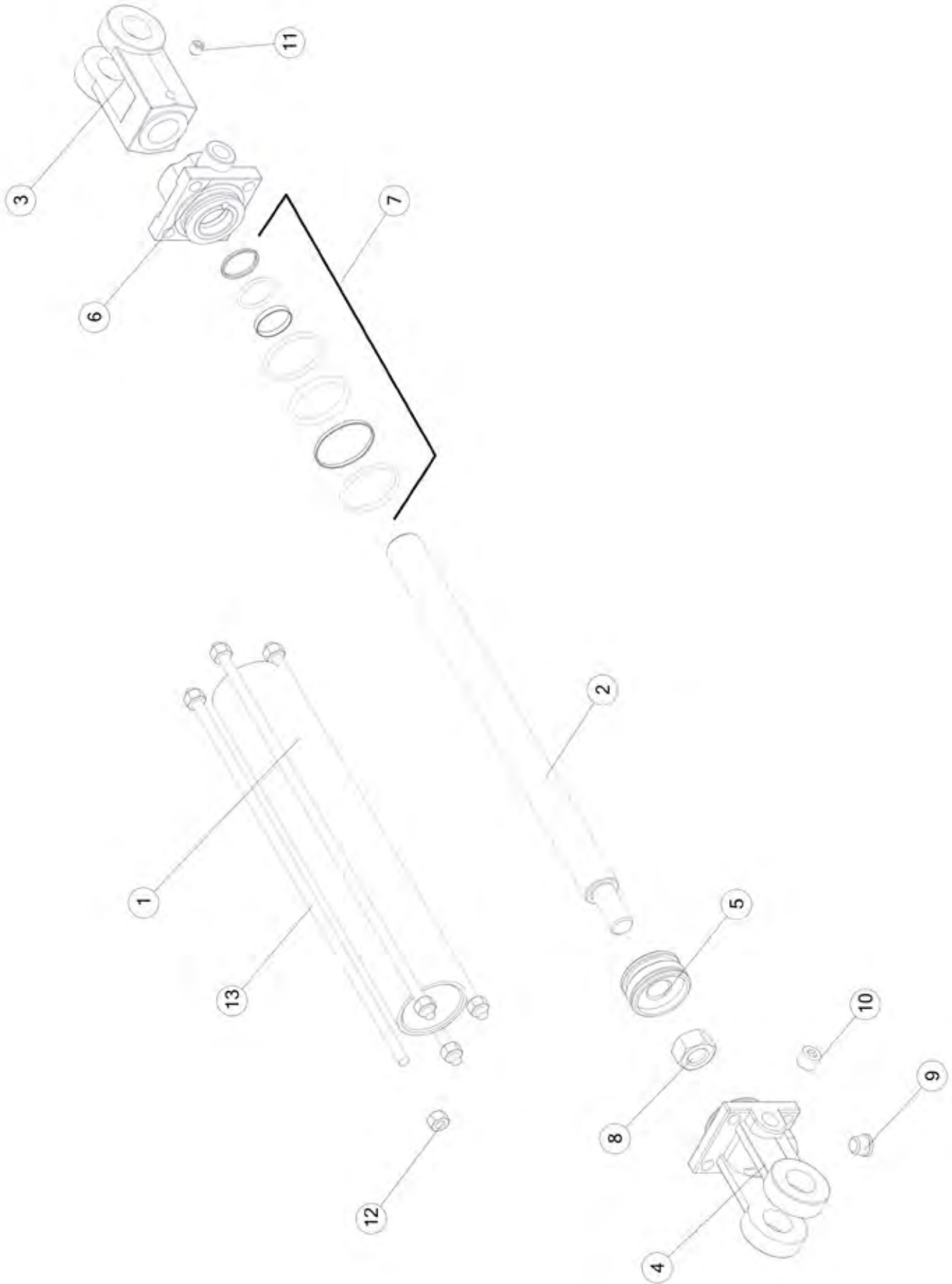




# FIGURE 23 UNIT HARNESS



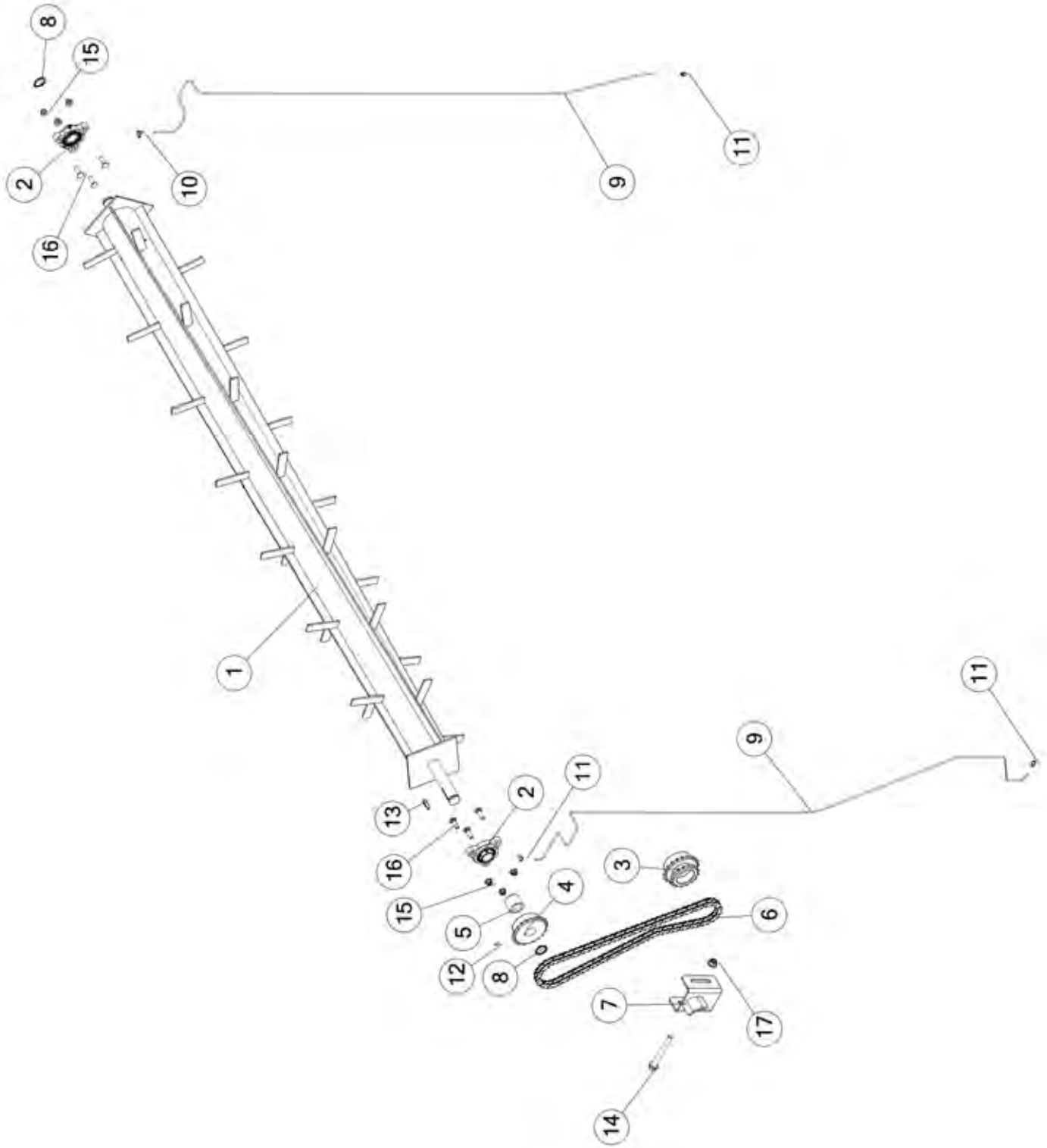
**FIGURE 24**  
**EXTENSION CYLINDER**



**FIGURE 24**  
**EXTENSION CYLINDER**

| <b><u>ITEM</u></b> | <b><u>QTY</u></b> | <b><u>PART#</u></b> | <b><u>DESCRIPTION</u></b>       |
|--------------------|-------------------|---------------------|---------------------------------|
| 1                  | 1                 | 56450               | 2 IN X 12 IN CYLINDER 3000 PSI  |
| 2                  | 1                 | 56450               | 2 IN X 12 IN CYLINDER 3000 PSI  |
| 3                  | 1                 | 23N150A             | ROD CLEVIS                      |
| 4                  | 1                 | 66932               | CLEVIS CAP FOR 2" CYLINDER      |
| 5                  | 1                 | 56180               | PISTON FOR 2" CYLINDER          |
| 6                  | 1                 | 66934               | ROD CAP FOR 2" CYLINDERS        |
| 7                  | 1                 | 56187               | SEAL KIT FOR 2" CYLINDER        |
| 8                  | 1                 | 23N148              | PISTON NUT                      |
| 9                  | 1                 | SD270               | FITTING, PLUG, 6ORB             |
| 10                 | 1                 | 23N149              | PLUG                            |
| 11                 | 1                 | YSSO12015           | SET SCREW, SOCKET, 3/8-24 X 3/8 |
| 12                 | 8                 | YNHX12006           | NUT HEX, 3/8-24 NA G2 ZC        |
| 13                 | 4                 | 56450               | 2 IN X 12 IN CYLINDER 3000 PSI  |

**FIGURE 25**  
**OPTIONAL 4TH BEATER**



## FIGURE 25

### OPTIONAL 4TH BEATER

| <u>ITEM</u> | <u>QTY</u> | <u>PART#</u> | <u>DESCRIPTION</u>                                 |
|-------------|------------|--------------|--|
| 1           | 1          | S263         | BEATER   |
| 2           | 2          | 80662        | BEARING 1-1/4                                      |
| 3           | 1          | S266         | SPROCKET, 50B16, 50B20                             |
| 4           | 1          | S26          | SPROCKET, 50B20, 1.253 ID                          |
| 5           | 1          | S262         | SPACER   |
| 6           | 1          | 87249        | ROLLER CHAIN, 50 X 78 PITCHES                      |
| *           | 1          | X61          | CONNECTING LINK                                    |
| 7           | 1          | 87254        | CHAIN TIGHTNER                                     |
| 8           | 2          | F73          | SNAP RING, 1-1/4                                   |
| 9           | 2          | 79314        | GREASE LINE  |
| 10          | 1          | 8257         | GREASE LINE FITTING, 90 DEGREE ELBOW 5/32 x 1/4    |
| 11          | 3          | 54572        | GREASE LINE FITTING, STRAIGHT                      |
| 12          | 1          | YSKP10010    | SET SCREW, SOCKET, KNURLED CUP PT, 5/16 - 18 X 3/8 |
| 13          | 1          | G23A         | SQUARE KEY, 5/16 X 1-1/4                           |
| 14          | 1          | YBFB16450    | BOLT FLANGE, 1/2 X 4-1/2 G5                        |
| 15          | 6          | YNFG12006    | NUT FLANGE, 3/8 GF                                 |
| 16          | 6          | YBCR12020    | BOLT CARRIAGE, 3/8 X 1-1/4 G5                      |
| 17          | 1          | YNFG16003    | NUT FLANGE, 1/2                                    |

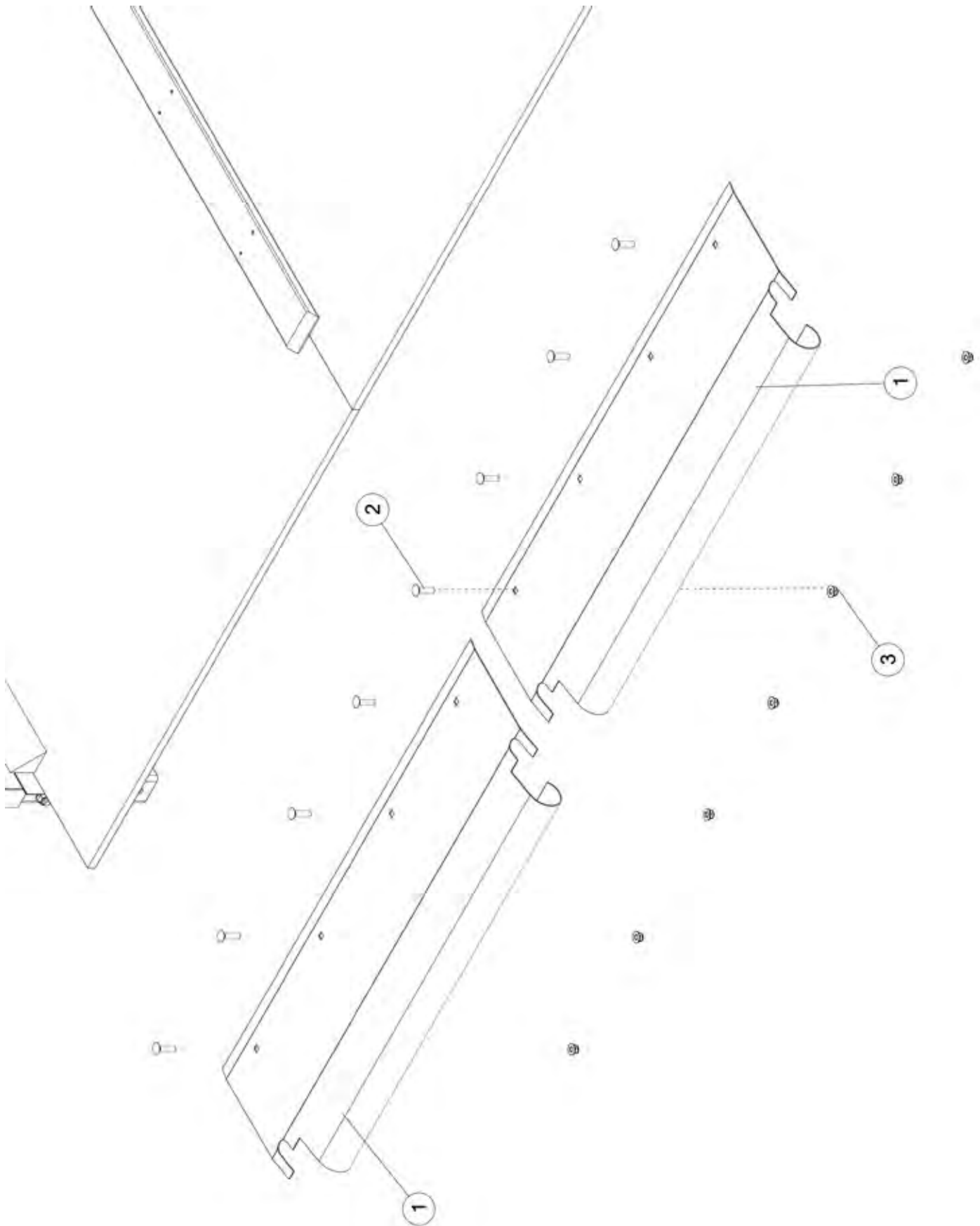
\* NOT SHOWN

23/25/27  
7200 SERIES  
FORAGE BOX

# CONTENTS

|   |       |
|---|-------|
| Figure 1 - Front Drive Shaft Panel . . . . .            | 54-55 |
| Figure 2 - Side Stakes . . . . .                        | 56-57 |
| Figure 3 - Side Metal & Top Filler Panels RH . . . . .  | 58-59 |
| Figure 4 - Side Metal & Top Filler Panels LH . . . . .  | 60-61 |
| Figure 5 - 23 FT Floor & Components. . . . .            | 62-63 |
| Figure 5 - 25 FT Floor & Components . . . . .           | 64-65 |
| Figure 5 - 27 FT Floor & Components . . . . .           | 66-67 |
| Figure 6 - Apron Chain & Components . . . . .           | 68-69 |
| Figure 7 - Rear Drive Shaft & Components . . . . .      | 70-71 |
| Figure 8 - Idler Shaft & Components . . . . .           | 72-73 |
| Figure 9 - Rear Drive Sprockets & Components . . . . .  | 74-75 |
| Figure 10 - Back Door Gate Delay & Components . . . . . | 76-77 |
| Figure 11 - Safety Cable & Components . . . . .         | 78-79 |
| Figure 12 - 23 FT Hydraulics . . . . .                  | 80-81 |
| Figure 12 - 25 FT Hydraulics . . . . .                  | 82-83 |
| Figure 12 - 27 FT Hydraulics . . . . .                  | 84-85 |
| Figure 13 - Lights . . . . .                            | 86-87 |
| Figure 14 - 23 & 25 FT Optional Roof Hood . . . . .     | 88-89 |
| Figure 14 - 27 FT Optional Roof Hood . . . . .          | 90-91 |
| Figure 15 - Tie Down Kit . . . . .                      | 92-93 |
| Figure 16 - Conversion Kit RGOCK Optional. . . . .      | 94-95 |

**FIGURE 1**  
**FRONT DRIVE SHAFT PANEL**

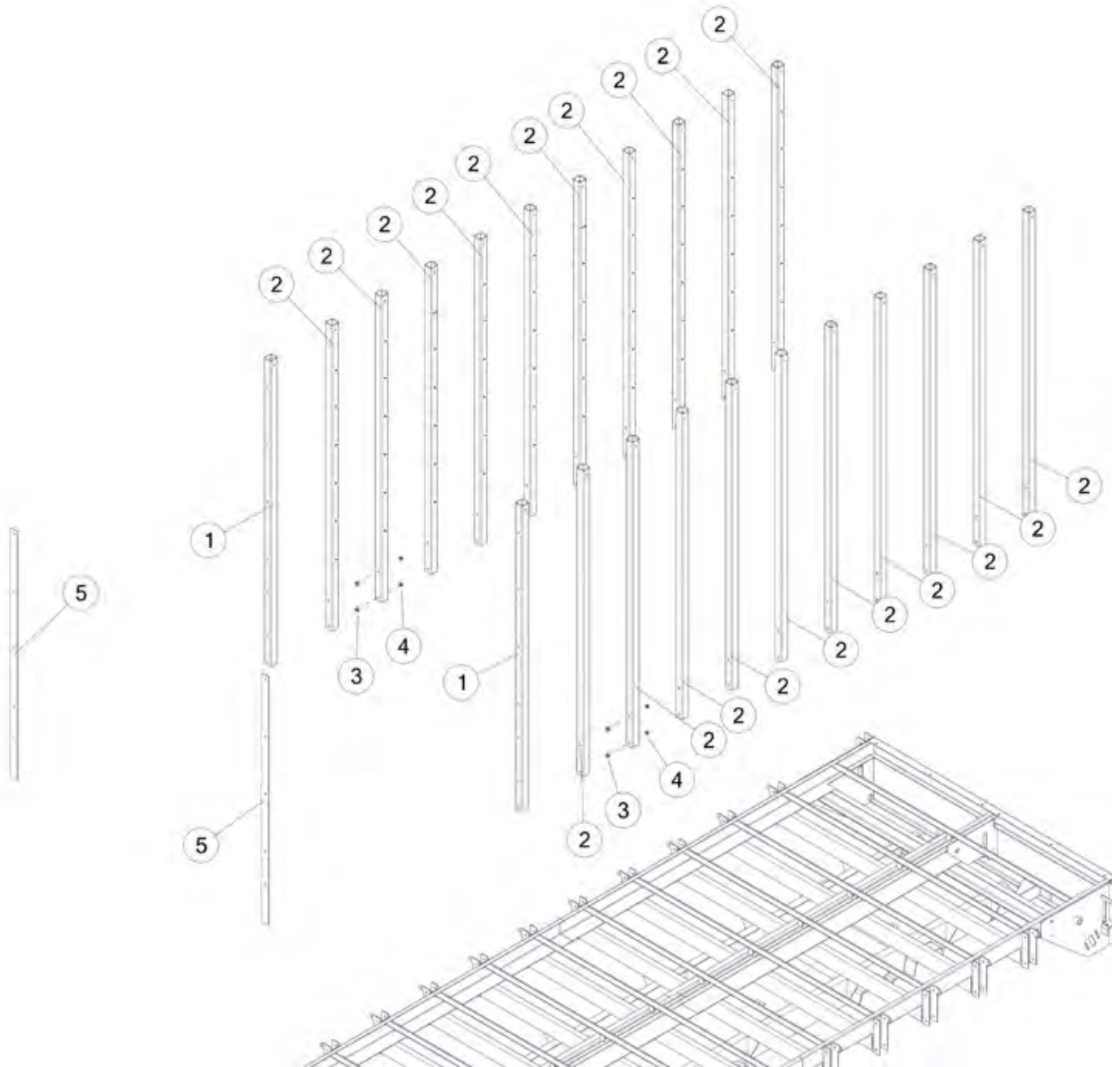




**FIGURE 1**  
**FRONT DRIVE SHAFT PANEL**

| <b><u>ITEM</u></b> | <b><u>QTY 23'</u></b> | <b><u>QTY 25'</u></b> | <b><u>QTY 27'</u></b> | <b><u>PART#</u></b> | <b><u>DESCRIPTION</u></b>     |
|--------------------|-----------------------|-----------------------|-----------------------|---------------------|-------------------------------|
| 1                  | 2                     | 2                     | 2                     | 72996               | SHAFT GUARD                   |
| 2                  | 8                     | 8                     | 8                     | YBCR12015           | BOLT CARRIAGE, 3/8 X 1-1/2 G5 |
| 3                  | 8                     | 8                     | 8                     | YNFG12006           | NUT FLANGE, 3/8               |

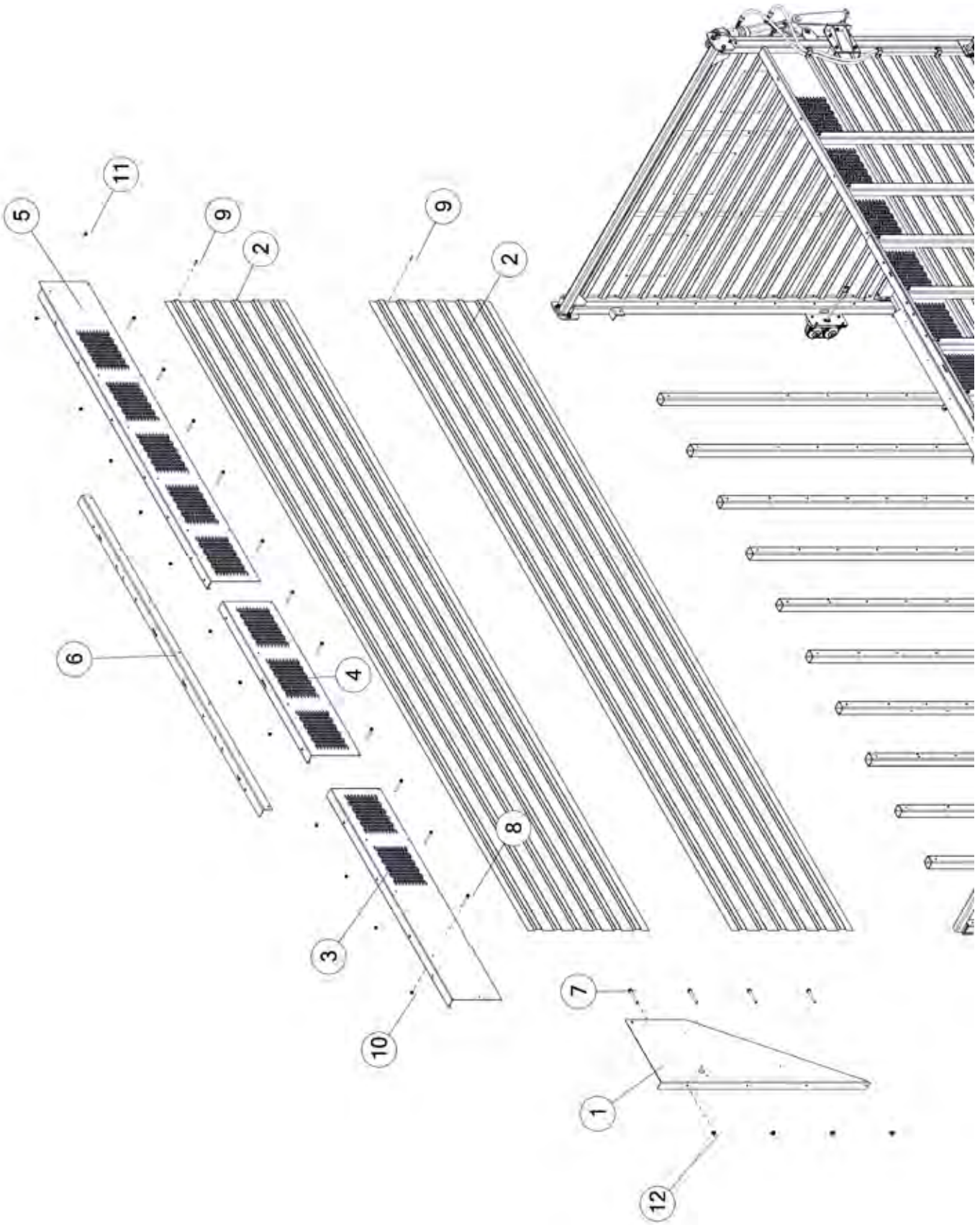
# **FIGURE 2** **SIDE STAKES**



## **FIGURE 2** **SIDE STAKES**

| <b><u>ITEM</u></b> | <b><u>QTY 23'</u></b> | <b><u>QTY 25'</u></b> | <b><u>QTY 27'</u></b> | <b><u>PART#</u></b> | <b><u>DESCRIPTION</u></b>           |
|--------------------|-----------------------|-----------------------|-----------------------|---------------------|-------------------------------------|
| 1                  | 2                     | 2                     | 2                     | 86407               | FRONT STAKE                         |
| 2                  | 26                    | 26                    | 30                    | IFB124              | SIDE STAKE                          |
| 3                  | 52                    | 52                    | 60                    | YBFB16400           | BOLT FLANGE, 1/2 X 4 G5             |
| 4                  | 52                    | 52                    | 60                    | YNFG16003           | NUT FLANGE, 1/2                     |
| 5                  | 2                     | 2                     | 2                     | 86654               | FLOAT ARM CYLINDER BASE END BUSHING |

**FIGURE 3**  
**TOP FILLER PANELS RH**



## FIGURE 3

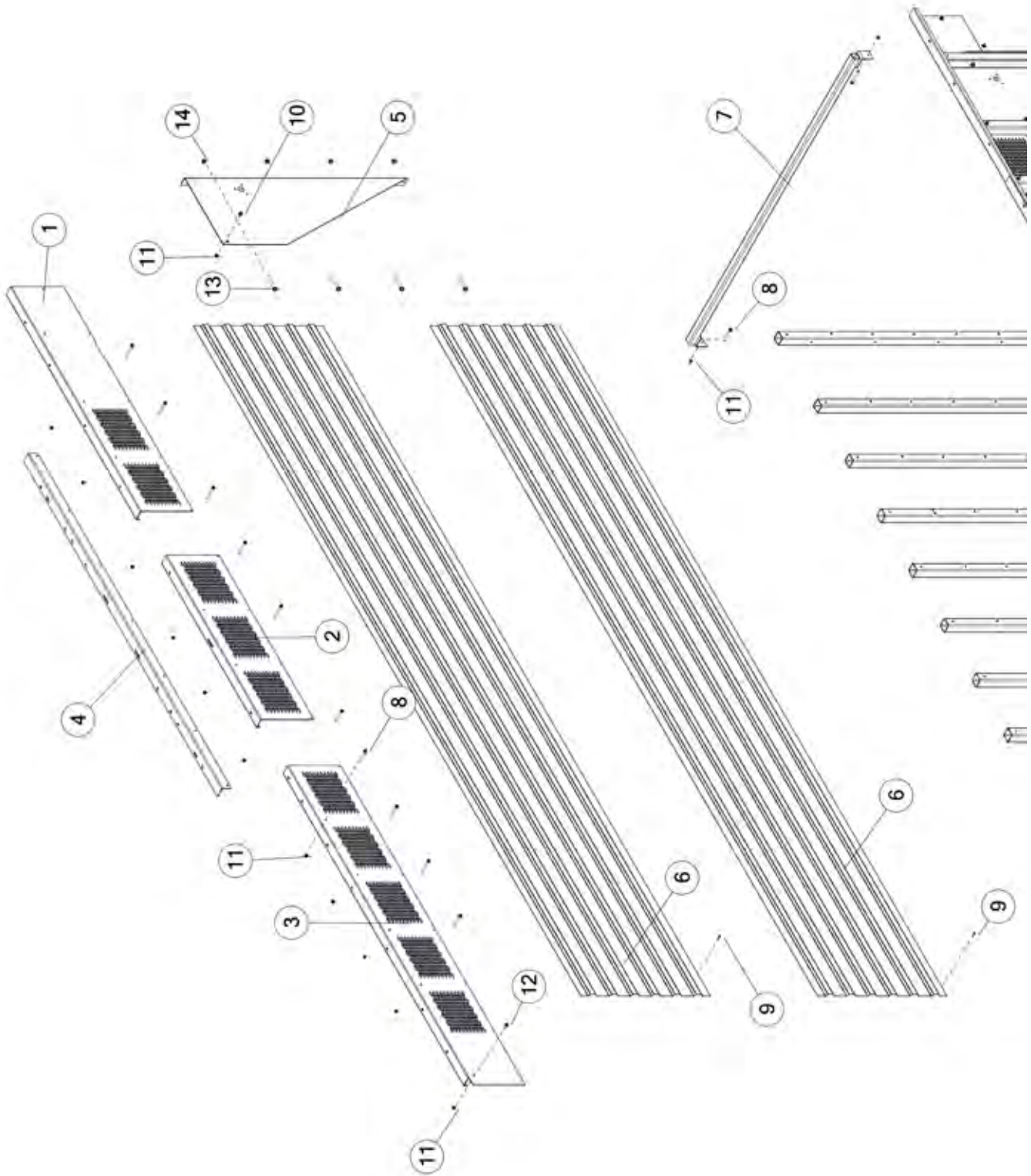
### TOP FILLER PANELS RH

| <u>ITEM</u> | <u>QTY 23'</u> | <u>QTY 25'</u> | <u>QTY 27'</u> | <u>PART#</u> | <u>DESCRIPTION</u>            |
|-------------|----------------|----------------|----------------|--------------|-------------------------------|
| 1           | 1              | 1              | -              | 86695        | 4TH BEATER FILLER PANEL RH    |
| 1           | -              | -              | 1              | 86521        | 4TH BEATER FILLER PANEL RH    |
| 2           | 2              | -              | -              | 86742        | SIDE PANEL, 23 FT BOX         |
| 2           | -              | 2              | -              | 86895        | SIDE PANEL, 25 FT BOX         |
| 2           | -              | -              | 2              | 86910        | SIDE PANEL, 27 FT BOX         |
| 3           | 1              | 1              | -              | 86693        | FRONT TOP RAIL RH             |
| 3           | -              | -              | 1              | 86502        | FRONT TOP RAIL RH             |
| 4           | 2              | 1              | 1              | 86503        | TOP RAIL CENTER, 54           |
| *           | -              | 1              | 1              | 86899        | TOP RAIL CENTER, 72           |
| 5           | 1              | 1              | 1              | 86498        | REAR TOP RAIL, RH             |
| 6           | 1              | 1              | 1              | 86630        | TOP RAIL SPLICE               |
| 7           | 4              | 4              | 4              | YBFB16400    | BOLT FLANGE, 1/2 X 4 G5       |
| 8           | 14             | 16             | 16             | YBFB12350    | BOLT FLANGE, 3/8 X 3-1/2 G5   |
| 9           | 105            | 112            | 119            | YSDR66008    | SCREW, HEX WASHER HEAD, 1-1/4 |
| 10          | 14             | 16             | 16             | YNFG12006    | NUT FLANGE, 3/8               |
| 11          | 1              | 1              | 1              | YBFB12003    | BOLT FLANGE, 3/8 X 1 G5       |
| 12          | 4              | 4              | 4              | YNFG16003    | NUT FLANGE, 1/2               |

\* NOT SHOWN

- NOT USED ON THIS MODEL

**FIGURE 4**  
**TOP FILLER PANELS LH**



## FIGURE 4

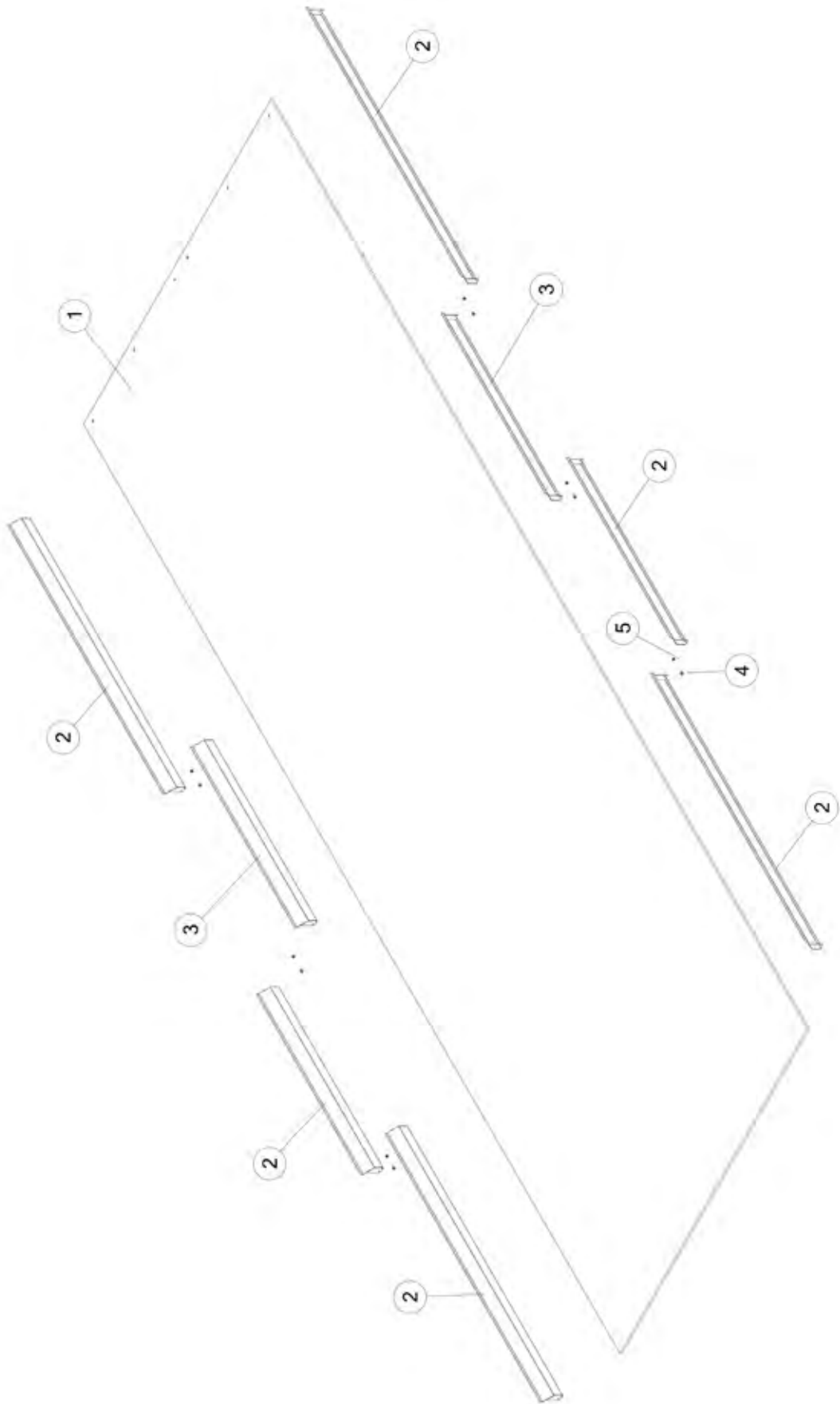
### TOP FILLER PANELS LH

| <u>ITEM</u> | <u>QTY 23'</u> | <u>QTY 25'</u> | <u>QTY 27'</u> | <u>PART#</u> | <u>DESCRIPTION</u>            |
|-------------|----------------|----------------|----------------|--------------|-------------------------------|
| 1           | 1              | 1              | 1              | 86694        | FRONT TOP RAIL LH             |
| 2           | 2              | 1              | 1              | 86503        | TOP RAIL CENTER, 54           |
| *           | -              | 1              | 1              | 86899        | TOP RAIL CENTER, 72           |
| 3           | 1              | 1              | 1              | 86513        | REAR TOP RAIL LH              |
| 4           | 1              | 1              | 1              | 86630        | TOP RAIL SPLICE               |
| 5           | 1              | 1              | -              | 86696        | 4TH BEATER FILLER PANEL LH    |
| 5           | -              | -              | 1              | 86522        | 4TH BEATER FILLER PANEL LH    |
| 6           | 2              | 2              |                | 86742        | SIDE PANEL, 23 FT BOX         |
| 6           | -              | -              | 2              | 86910        | SIDE PANEL, 27 FT BOX         |
| 7           | 1              | 1              | 1              | 86520        | FRONT CROSS BRACE             |
| 8           | 16             | 18             | 18             | YBFB12350    | BOLT FLANGE, 3/8 X 3-1/2 G5   |
| 9           | 105            | 112            | 119            | YSDR66008    | SCREW, HEX WASHER HEAD, 1-1/4 |
| 10          | 1              | 1              | 1              | YBFB12075    | BOLT FLANGE, 3/8 X 3/4 G5     |
| 11          | 18             | 18             | 18             | YNFG12006    | NUT FLANGE, 3/8               |
| 12          | 1              | 1              | 1              | YBFB12003    | BOLT FLANGE, 3/8 X 1 G5       |
| 13          | 4              | 4              | 4              | YBFB16400    | BOLT FLANGE, 1/2 X 4 G5       |
| 14          | 4              | 4              | 4              | YNFG16003    | NUT FLANGE, 1/2               |

\* NOT SHOWN

- NOT USED ON THIS MODEL

**FIGURE 5**  
**23 FT FLOOR & COMPONENTS**

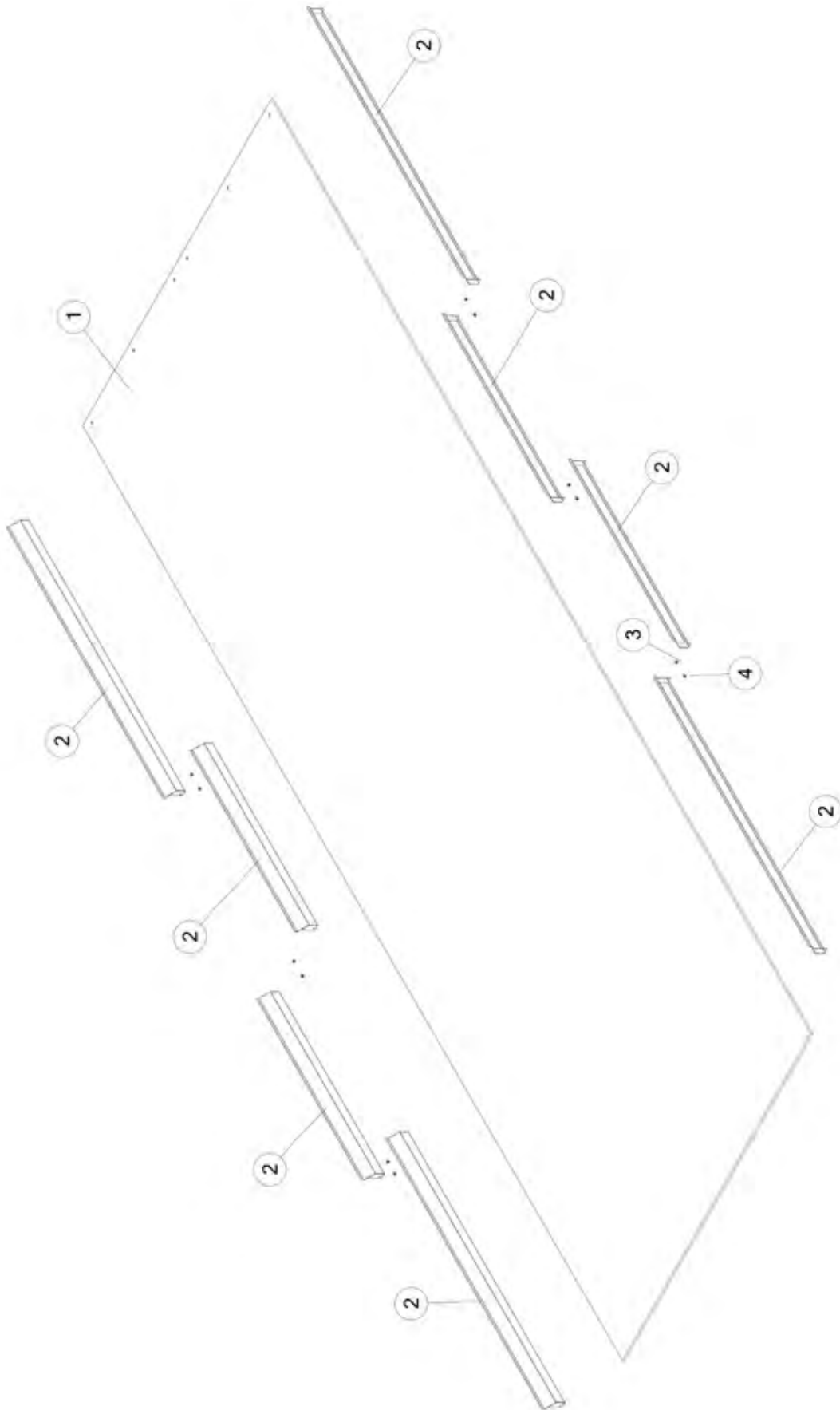




**FIGURE 5**  
**23 FT FLOOR & COMPONENTS**

| <b><u>ITEM</u></b> | <b><u>QTY 23'</u></b> | <b><u>PART#</u></b> | <b><u>DESCRIPTION</u></b> |
|--------------------|-----------------------|---------------------|---------------------------|
| 1                  | 1                     | 86743               | POLY FLOOR PANEL          |
| 2                  | 6                     | 83488               | INSIDE SLANT              |
| 3                  | 2                     | 83529               | INSIDE SLANT              |
| 4                  | 6                     | YBFB08005           | BOLT FLANGE, 1/4 X 1/2 G5 |
| 5                  | 6                     | YNFG08010           | NUT FLANGE, 1/4           |

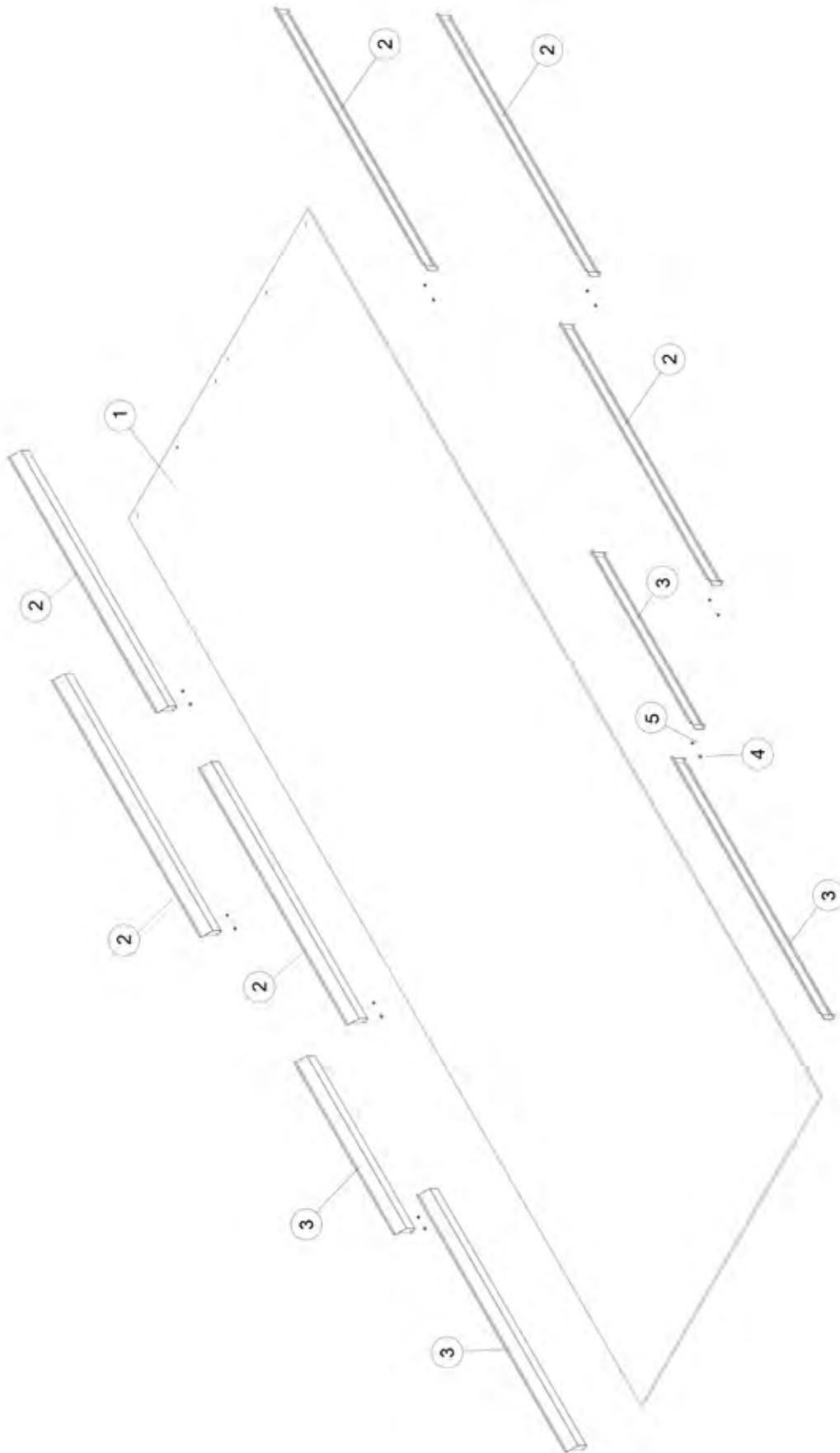
**FIGURE 5**  
**25 FT FLOOR & COMPONENTS**



**FIGURE 5**  
**25 FT FLOOR & COMPONENTS**

| <b><u>ITEM</u></b> | <b><u>QTY 25'</u></b> | <b><u>PART#</u></b> | <b><u>DESCRIPTION</u></b> |
|--------------------|-----------------------|---------------------|---------------------------|
| 1                  | 1                     | 86896               | POLY FLOOR PANEL          |
| 2                  | 8                     | 83488               | INSIDE SLANT              |
| 3                  | 6                     | YNFG08010           | NUT FLANGE, 1/4           |
| 4                  | 6                     | YBFB08005           | BOLT FLANGE, 1/4 X 1/2 G5 |

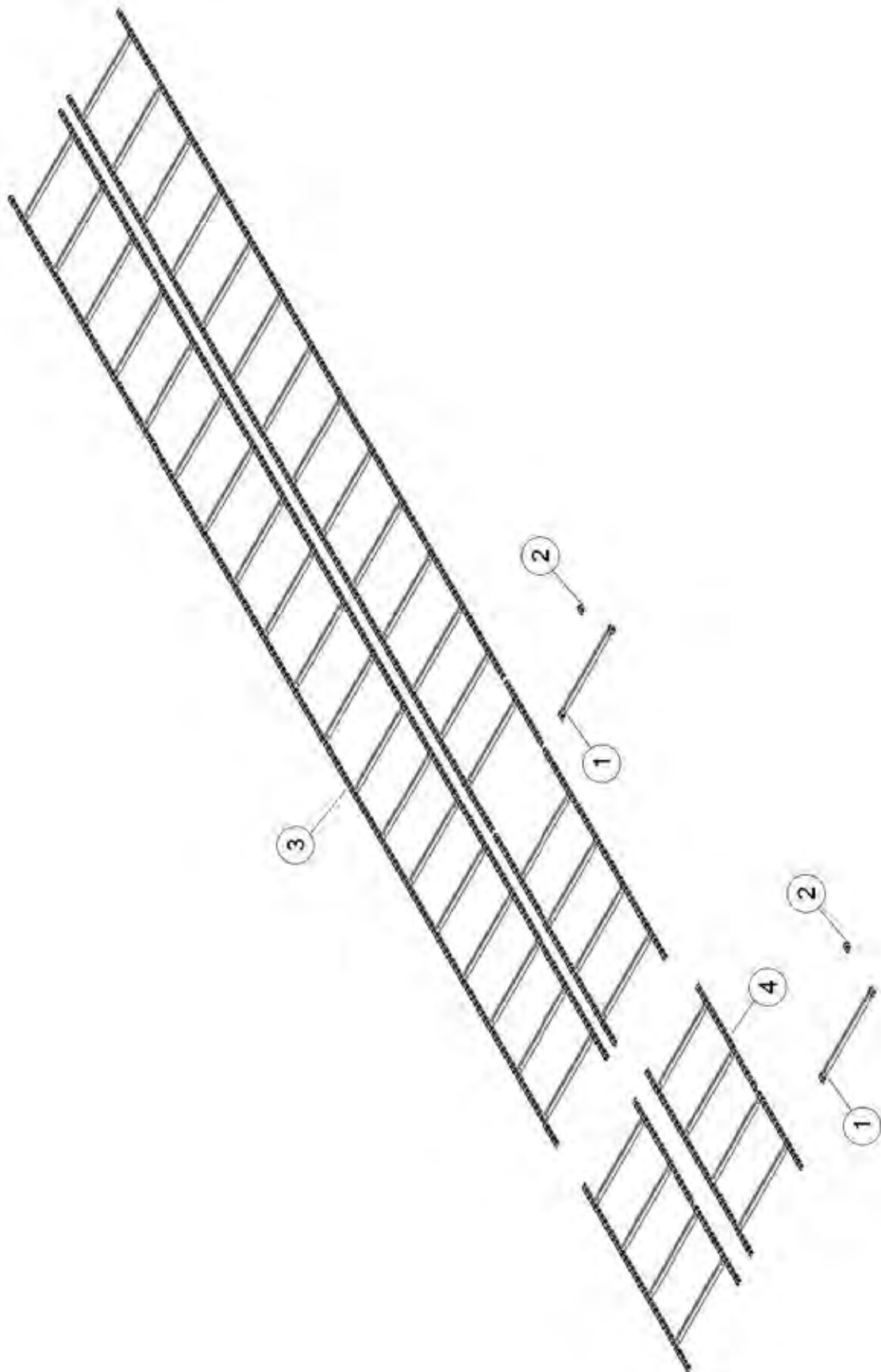
**FIGURE 5**  
**27 FT FLOOR & COMPONENTS**



**FIGURE 5**  
**27 FT FLOOR & COMPONENTS**

| <b><u>ITEM</u></b> | <b><u>QTY 27'</u></b> | <b><u>PART#</u></b> | <b><u>DESCRIPTION</u></b> |
|--------------------|-----------------------|---------------------|---------------------------|
| 1                  | 1                     | 86911               | POLY FLOOR PANEL          |
| 2                  | 4                     | 83529               | INSIDE SLANT              |
| 3                  | 6                     | 83488               | INSIDE SLANT              |
| 4                  | 8                     | YNFG08010           | NUT FLANGE, 1/4           |
| 5                  | 8                     | YBFB08005           | BOLT FLANGE, 1/4 X 1/2 G5 |

**FIGURE 6**  
**APRON CHAIN & COMPONENTS**



## FIGURE 6

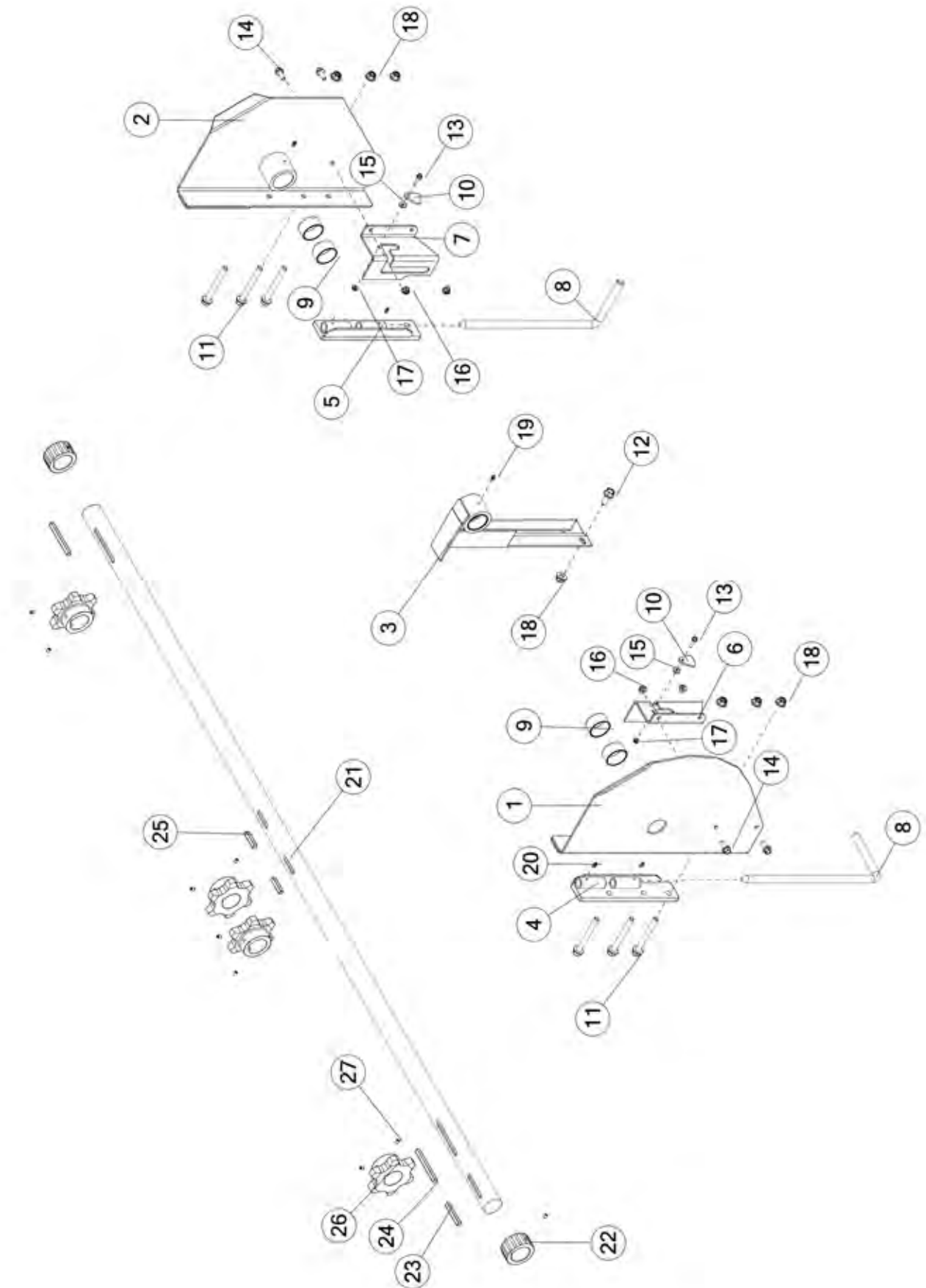
### APRON CHAIN & COMPONENTS

| <u>ITEM</u> | <u>QTY 23'</u> | <u>QTY 25'</u> | <u>QTY 27'</u> | <u>PART#</u> | <u>DESCRIPTION</u>                       |
|-------------|----------------|----------------|----------------|--------------|--|
| 1           | **             | **             | **             | PB177        | SLAT, 667XH X 1 W/ ATTACHMENT LINK 667XH |
| 2           | **             | **             | **             | PB181        | CONN LINK 667XH X 1                      |
| 3           | 4              | 4              | 2              | L3450        | APRON CHAIN, 667XH X 118                 |
| 4           | 2              | -              | -              | 86861        | APRON CHAIN, 667XH X 27                  |
| 4           | -              | 2              | -              | 86902        | APRON CHAIN, 667XH X 39                  |
| 4           | -              | -              | 2              | 86902        | APRON CHAIN, 667XH X 39                  |

\*\* AS NEEDED

- NOT USED ON THIS MODEL

# **FIGURE 7** **REAR DRIVE SHAFT & COMPONENTS**



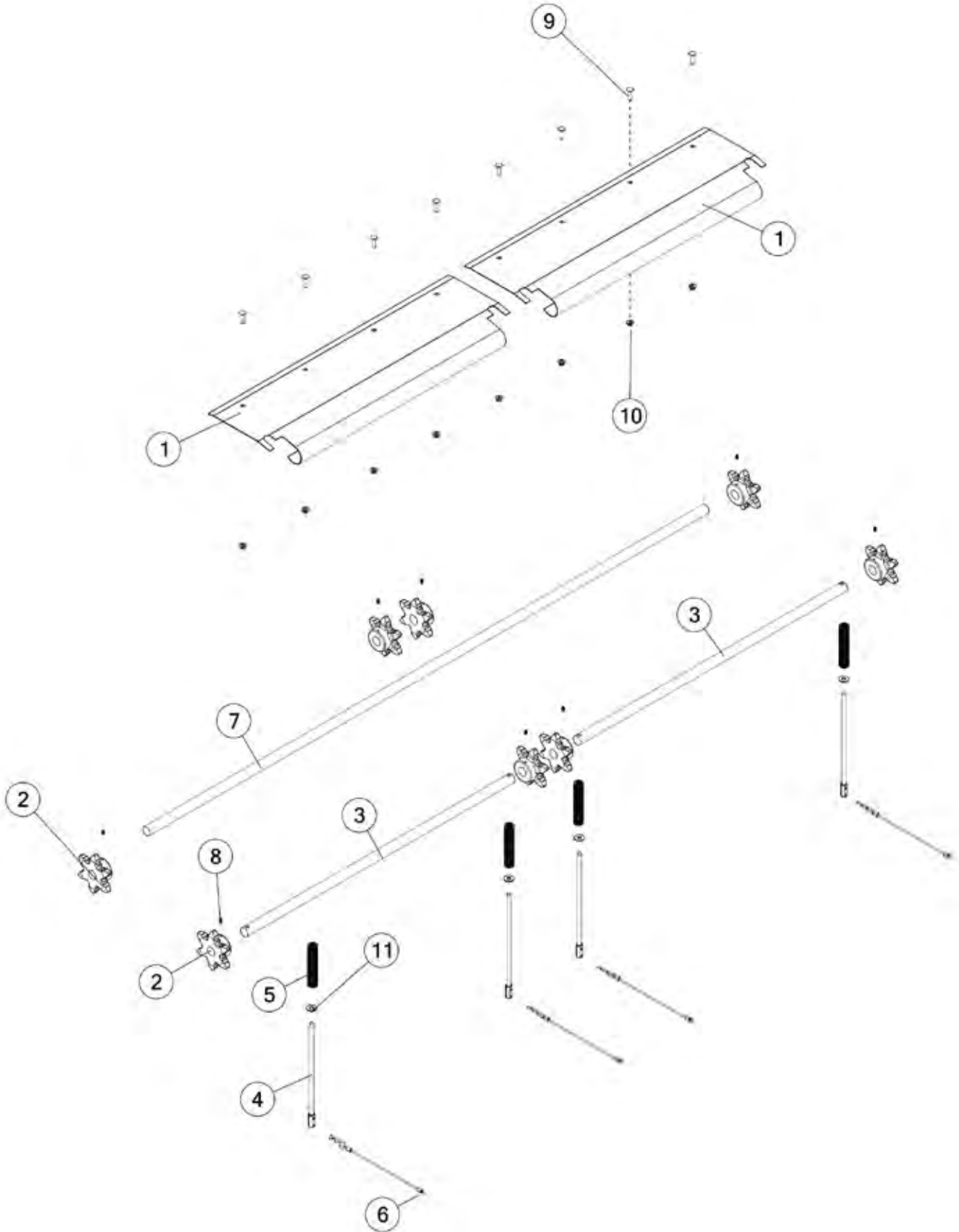


## FIGURE 7

### REAR DRIVE SHAFT & COMPONENTS

| <u>ITEM</u> | <u>QTY 23'</u> | <u>QTY 25'</u> | <u>QTY 27'</u> | <u>PART#</u> | <u>DESCRIPTION</u>                      |
|-------------|----------------|----------------|----------------|--------------|---|
| 1           | 1              | 1              | 1              | 86459        | DRIVE SHAFT MOUNT LH                    |
| 2           | 1              | 1              | 1              | 86452        | DRIVE SHAFT MOUNT RH                    |
| 3           | 1              | 1              | 1              | 73790        | BRACE, CENTER BACK                      |
| 4           | 1              | 1              | 1              | 76990        | LOCK, BACK DOOR                         |
| 5           | 1              | 1              | 1              | 77032        | LOCK, BACK DOOR                         |
| 6           | 1              | 1              | 1              | 77197        | LOCK, BACK DOOR                         |
| 7           | 1              | 1              | 1              | 77206        | LOCK, BACK DOOR                         |
| 8           | 2              | 2              | 2              | 76986        | BENT PIN, 0.75, 16.8                    |
| 9           | 4              | 4              | 4              | 72652        | BRONZE BUSHING                          |
| 10          | 2              | 2              | 2              | 77200        | PLATE, 1.75 X 1.50 X 0.19               |
| 11          | 6              | 6              | 6              | YBFB16450    | BOLT FLANGE, 1/2 X 4-1/2 G5             |
| 12          | 1              | 1              | 1              | YBFB16125    | BOLT FLANGE, 1/2 X 1-1/4 G5             |
| 13          | 2              | 2              | 2              | YBFB08100    | BOLT FLANGE, 1/4 X 1 G5                 |
| 14          | 4              | 4              | 4              | YBFB12003    | BOLT FLANGE, 3/8 X 1 G5                 |
| 15          | 4              | 4              | 4              | YWFL08005    | WASHER, FLAT, 1/4                       |
| 16          | 4              | 4              | 4              | YNFG12006    | NUT FLANGE, 3/8                         |
| 17          | 2              | 2              | 2              | YNFG08010    | NUT FLANGE, 1/4                         |
| 18          | 6              | 6              | 6              | YNFG16003    | NUT FLANGE, 1/2                         |
| 19          | 1              | 1              | 1              | G89          | STRAIGHT ZERK 1/4-28 X 90               |
| 20          | 4              | 4              | 4              | MS26         | SHORT SHANK ZERK-STRAIGHT               |
| 21          | 1              | 1              | 1              | 73000        | REAR DRIVE SHAFT                        |
| 22          | 2              | 2              | 2              | 72998        | SPROCKET, BACK DOOR LATCH               |
| 23          | 1              | 1              | 1              | 0209MS08     | SQUARE KEY, 3/8 X 2-7/8                 |
| 24          | 2              | 2              | 2              | PB133        | SQUARE KEY, 3/8 X 4-3/8                 |
| 25          | 2              | 2              | 2              | PB87         | SQUARE KEY, 3/8 X 2                     |
| 26          | 4              | 4              | 4              | 72669        | 6 TOOTH STEEL SPROCKET                  |
| 27          | 10             | 10             | 10             | YSKP10010    | SCREW, SOCKET, KNURLED, 5/16 - 18 X 3/8 |

# **FIGURE 8** **IDLER SHAFT & COMPONENTS**

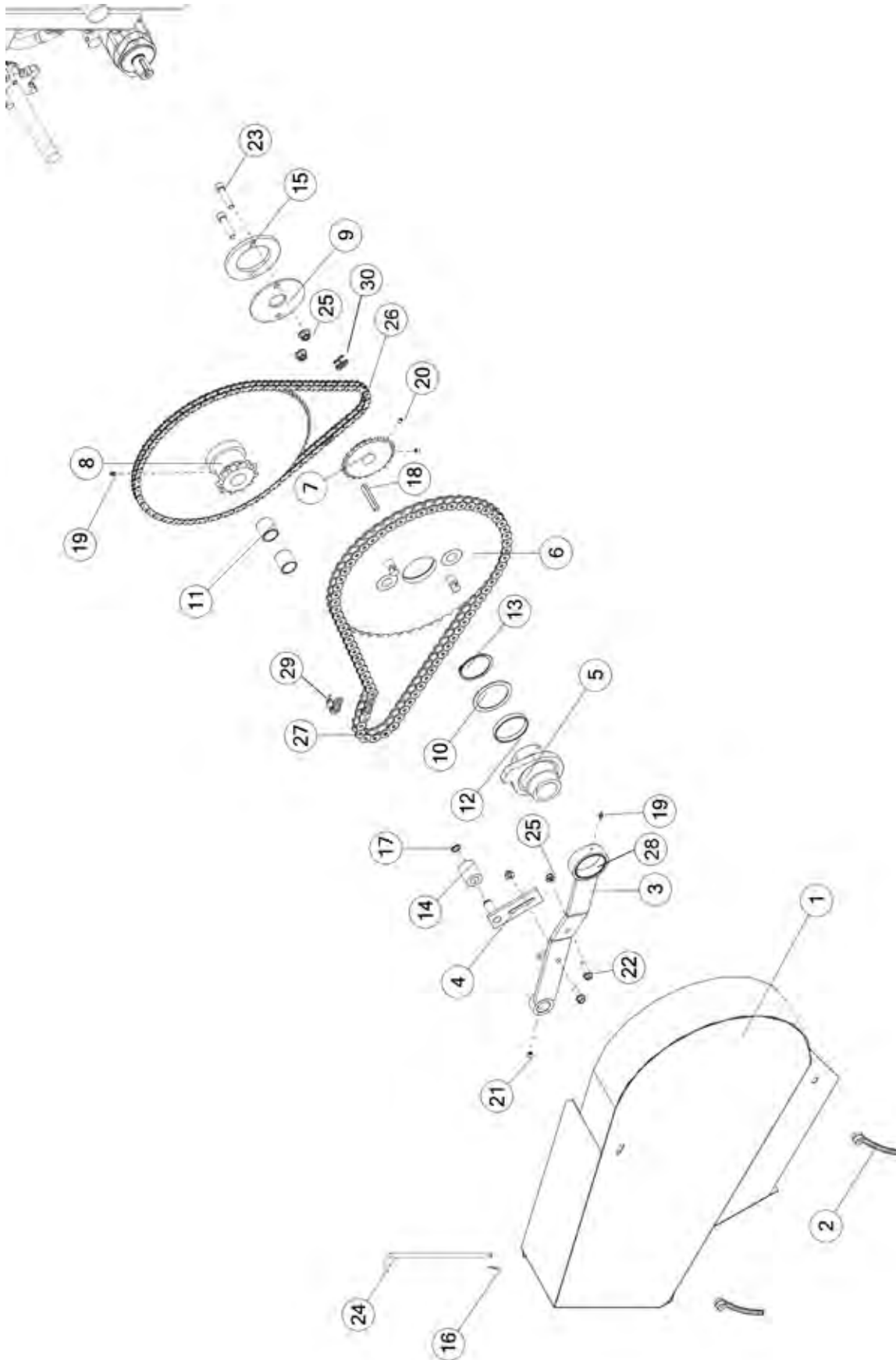


## FIGURE 8

### IDLER SHAFT & COMPONENTS

| <u>ITEM</u> | <u>QTY 23'</u> | <u>QTY 25'</u> | <u>QTY 27'</u> | <u>PART#</u> | <u>DESCRIPTION</u>                  |
|-------------|----------------|----------------|----------------|--------------|-------------------------------------|
| 1           | 2              | 2              | 2              | 72996        | SHAFT SEAL                          |
| 2           | 8              | 8              | 8              | JB10         | APRON IDLER SPROCKET                |
| 3           | 2              | 2              | 2              | PB89B        | TIGHTENER SHAFT W/DECALS            |
| 4           | 4              | 4              | 4              | 57589        | TIGHTNER BOLT                       |
| 5           | 4              | 4              | 4              | 57577        | DIE SPRING, HEAVY LOAD, 1 X 1/2 X 6 |
| 6           | 4              | 4              | 4              | 57616        | LANYARD, 9/64 X 2-11/16 HAIR PIN    |
| 7           | 1              | 1              | 1              | PB90         | IDLER SHAFT                         |
| 8           | 8              | 8              | 8              | G89          | STRAIGHT ZERK 1/4-28 X 90           |
| 9           | 8              | 8              | 8              | YBCR12015    | BOLT BARRIAGE, 3/8-16 X 1-1/2 G5    |
| 10          | 8              | 8              | 8              | YNFG12006    | NUT FLANGE, 3/8                     |
| 11          | 4              | 4              | 4              | YWFL16005    | WASHER FLAT, 1/2                    |

# **FIGURE 9** **REAR DRIVE SPROCKETS & COMPONENTS**

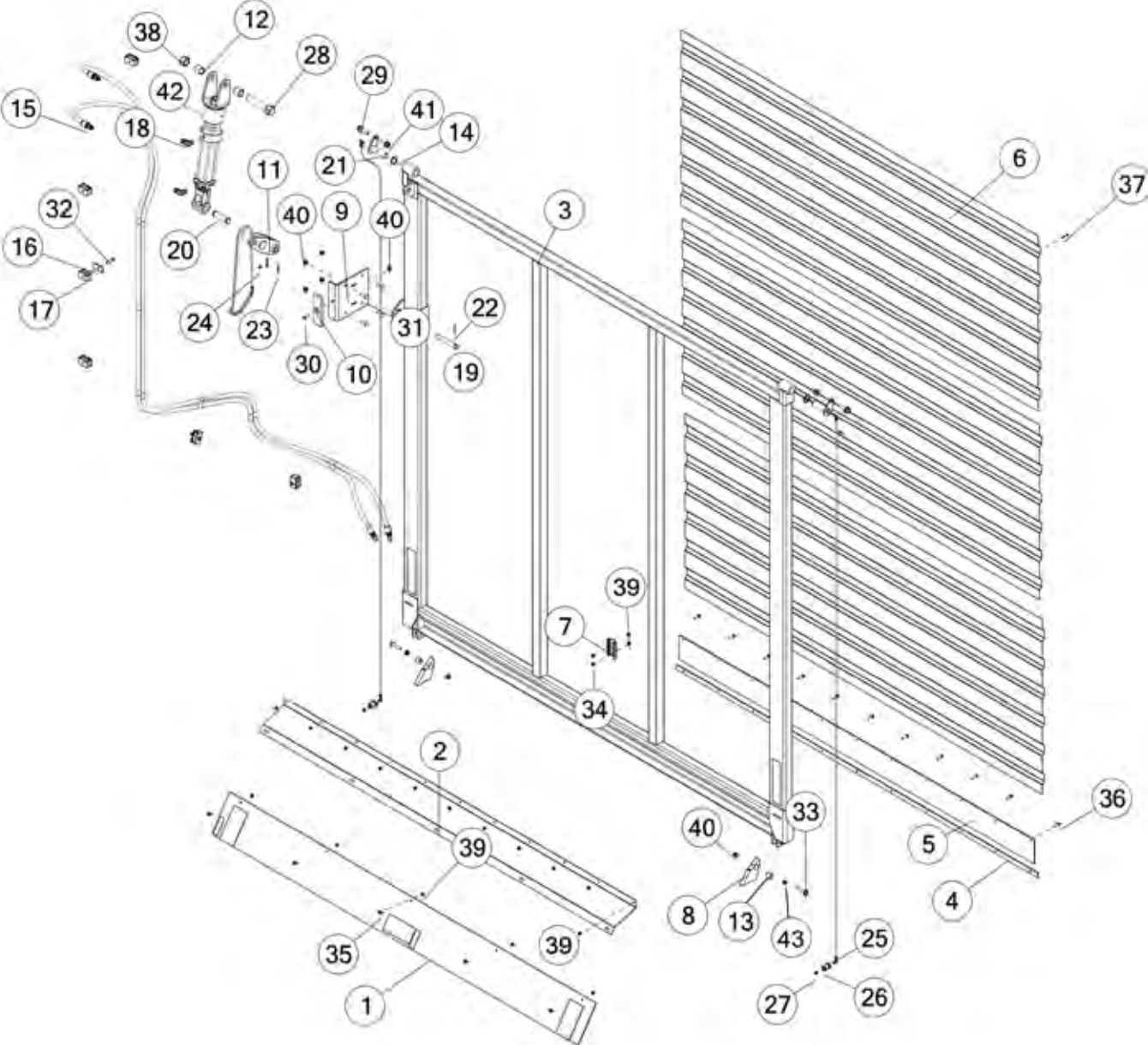


## FIGURE 9

### REAR DRIVE SPROCKETS & COMPONENTS

| <u>ITEM</u> | <u>QTY 23'</u> | <u>QTY 25'</u> | <u>QTY 27'</u> | <u>PART#</u> | <u>DESCRIPTION</u>                        |
|-------------|----------------|----------------|----------------|--------------|---|
| 1           | 1              | 1              | 1              | 93344B       | SHAFT SHIELD W/DECALS, REAR               |
| 2           | 2              | 2              | 2              | S192         | HANDLE NUT                                |
| 3           | 1              | 1              | 1              | 86651        | REAR DRIVE BRACE                          |
| 4           | 1              | 1              | 1              | L10R35       | TIGHTENER BRACKET                         |
| 5           | 1              | 1              | 1              | 72831        | CLUTCH DOG WLDMT, REAR                    |
| 6           | 1              | 1              | 1              | 72832        | DRIVE SPROCKET, BACK                      |
| 7           | 1              | 1              | 1              | ST28         | SPROCKET, 50B24, 1.250 ID                 |
| 8           | 1              | 1              | 1              | PB95         | SPROCKET, 84T TO 11T (50A84)              |
| 9           | 1              | 1              | 1              | PB260        | MOTOR MOUNT                               |
| 10          | 1              | 1              | 1              | 72712        | CLUTCH SPROCKET SHIM                      |
| 11          | 2              | 2              | 2              | G16          | BUSHING, BRONZE, 1-1/2 X 1-1/4 X 1-1/2    |
| 12          | 1              | 1              | 1              | 72705        | BRONZE BUSHING                            |
| 13          | 1              | 1              | 1              | SD202        | STANDARD EXTERNAL SNAP RING, 3            |
| 14          | 1              | 1              | 1              | 23N238       | CHAIN TIGHTENER ROLLER                    |
| 15          | 1              | 1              | 1              | PB261        | SPACER                                    |
| 16          | 1              | 1              | 1              | YPCT05005    | COTTER PIN, 5/32 X 1                      |
| 17          | 1              | 1              | 1              | 10R32        | SNAP RING, EXTERNAL, 0.70                 |
| 18          | 1              | 1              | 1              | 0209MS08     | SQUARE KEY, 3/8 X 2-7/8                   |
| 19          | 2              | 2              | 2              | G89          | STRAIGHT ZERK 1/4-28 X 90                 |
| 20          | 2              | 2              | 2              | YSKP10010    | SCREW, SOCKET, KNURLED CUP PT, 5/16 X 3/8 |
| 21          | 1              | 1              | 1              | YSKP12010    | SCREW, SOCKET, KNURLED CUP PT, 3/8 X 1/2  |
| 22          | 2              | 2              | 2              | YBFB12125    | BOLT FLANGE, 3/8 X 1-1/4 G5               |
| 23          | 2              | 2              | 2              | YSHS16020    | BOLT SOCKET HEAD, 1/2 X 2-1/4             |
| 24          | 1              | 1              | 1              | PB100        | SHIELD HINGE PIN                          |
| 25          | 4              | 4              | 4              | YNFG16003    | NUT FLANGE, 1/2                           |
| 26          | 1              | 1              | 1              | PB114        | ROLLER CHAIN                              |
| 27          | 1              | 1              | 1              | SD292        | ROLLER CHAIN                              |
| 28          | 1              | 1              | 1              | 72841        | BUSHING                                   |
| 29          | 1              | 1              | 1              | F157         | CONNECTING LINK                           |
| 30          | 1              | 1              | 1              | X61          | CONNECTING LINK                           |

**FIGURE 10**  
**BACK DOOR GATE DELAY & COMPONENTS**



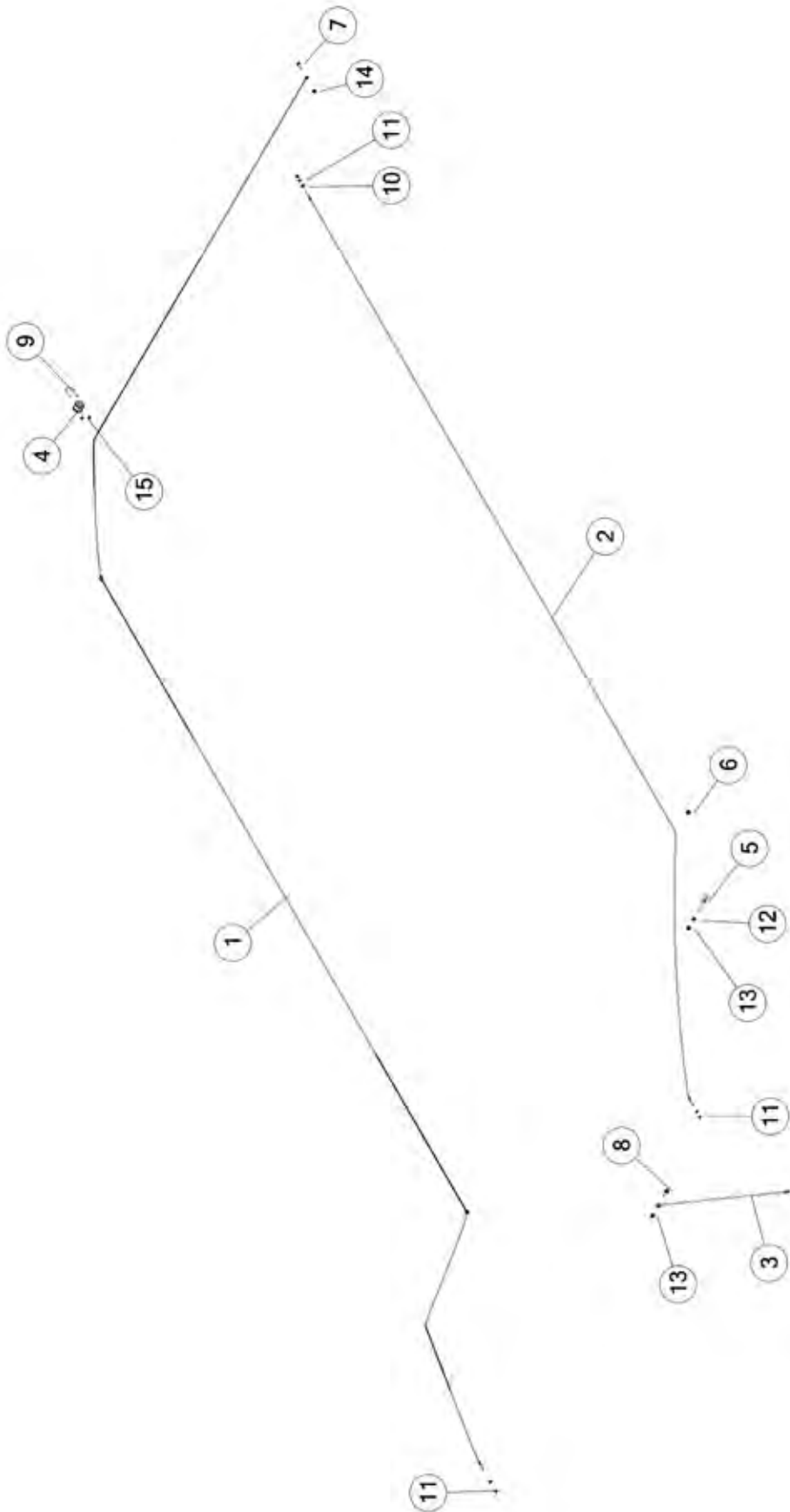
# FIGURE 10

## BACK DOOR GATE DELAY & COMPONENTS

| <u>ITEM</u> | <u>QTY 23'</u> | <u>QTY 25'</u> | <u>QTY 27'</u> | <u>PART#</u> | <u>DESCRIPTION</u>                  |
|-------------|----------------|----------------|----------------|--------------|-------------------------------------|
| 1           | 1              | 1              | 1              | IFB60B       | PANEL, POLY, SHIELD, BACK           |
| 2           | 1              | 1              | 1              | IFB59        | POLY SHIELD HOLDER                  |
| 3           | 1              | 1              | 1              | 60171        | BACK DOOR                           |
| 4           | 1              | 1              | 1              | S288         | PLT, 87.50X1.00X.13                 |
| 5           | 1              | 1              | 1              | PB54         | REAR DOOR RUBBER SEAL               |
| 6           | 3              | 3              | 3              | 86432        | BACK DOOR PANEL                     |
| 7           | 1              | 1              | 1              | F97          | SMV BRACKET                         |
| 8           | 2              | 2              | 2              | 59883        | DOOR LATCH BAR                      |
| 9           | 1              | 1              | 1              | 83194        | STRIKER BRACKET                     |
| 10          | 1              | 1              | 1              | 0231PL01     | POLY BUMPER                         |
| 11          | 1              | 1              | 1              | 77291        | PIVOT                               |
| 12          | 2              | 2              | 2              | 77434        | STL BSH, 1.05X1.32X1.13, SPACER     |
| 13          | 2              | 2              | 2              | 61020        | LATCH PIVOT WIDE                    |
| 14          | 2              | 2              | 2              | S345         | PULLEY SPACER                       |
| 15          | 2              | 2              | 2              | 86628        | HYDRAULIC HOSE, 6 X 184             |
| 16          | 8              | 8              | 8              | 56563        | CLAMP TOP PLATE                     |
| 17          | 8              | 8              | 8              | CHM278       | 3/8 TWO LINE CLAMP BLOCK            |
| 18          | 2              | 2              | 2              | 80591        | SWIVEL ELBOW CONNECTOR              |
| 19          | 1              | 1              | 1              | 83190        | PIVOT PIN                           |
| 20          | 1              | 1              | 1              | T143         | HYDRAULIC CYLINDER PIN              |
| 21          | 2              | 2              | 2              | IFB3         | DOOR HINGE PIN                      |
| 22          | 1              | 1              | 1              | YPEX08015    | EXPANSION PIN, 1/4 X 1 3/4          |
| 23          | 2              | 2              | 2              | YPCT05010    | COTTER PIN, 5/32 X 1-1/2            |
| 24          | 1              | 1              | 1              | G89          | STRAIGHT ZERK 1/4-28 X 90           |
| 25          | 1              | 1              | 1              | 86632        | GREASE LINE                         |
| 26          | 2              | 2              | 2              | 86537        | FITTING, ST BH, 1/8 NPTF X 1/8 NPTF |
| 27          | 2              | 2              | 2              | BFR28        | GREASE ZERK, 1/8 NPT                |
| 28          | 1              | 1              | 1              | YBHH32020    | BOLT HEX, 1 X 5 G5                  |
| 29          | 2              | 2              | 2              | YBFB16175    | BOLT FLANGE, 1/2 X 1-3/4 G5         |
| 30          | 1              | 1              | 1              | YBHH12010    | BOLT HEX, 3/8 X 1 G5                |
| 31          | 4              | 4              | 4              | YBCR12020    | BOLT CARRIAGE, 3/8 X 1-1/4 G5       |
| 32          | 7              | 7              | 7              | 56568        | CLAMP BOLT, 5/16 x 1-3/8            |
| 33          | 2              | 2              | 2              | YSFS16025    | BOLT,FLAT SOK,1/2 X 2               |
| 34          | 2              | 2              | 2              | YBFB08005    | BOLT FLANGE, 1/4 X 1/2 G5           |
| 35          | 5              | 5              | 5              | YBFB08075    | BOLT FLANGE, 1/4 X 3/4 G5           |
| 36          | 11             | 11             | 11             | YBFB08100    | BOLT FLANGE, 1/4 X 1 G5             |
| 37          | 1              | 1              | 1              | YSDR66008    | SCREW, HEX WASHER HEAD, 1-1/4       |
| 38          | 1              | 1              | 1              | YNTL32005    | NUT HEX, 1                          |
| 39          | 17             | 17             | 17             | YNFG08010    | NUT FLANGE, 1/4                     |
| 40          | 5              | 5              | 5              | YNFG12006    | NUT FLANGE, 3/8                     |
| 41          | 2              | 2              | 2              | YNFG16003    | NUT FLANGE, 1/2                     |
| 42          | 1              | 1              | 1              | 76902        | CYLINDER                            |
| *           | 1              | 1              | 1              | 76445        | SPRING                              |
| *           | 1              | 1              | 1              | 76437        | CLEVIS                              |
| *           | 1              | 1              | 1              | 77431        | CYLINDER TUBE                       |
| *           | 1              | 1              | 1              | YSKP10010    | SCREW SET, SOCKET, 5/16 X 3/8       |
| *           | 1              | 1              | 1              | 77355        | POLY BUSHING                        |
| 43          | 2              | 2              | 2              | YNNJ16005    | NUT JAM, 1/2 G2                     |

\* NOT SHOWN

**FIGURE 11**  
**SAFETY CABLE & COMPONENTS**





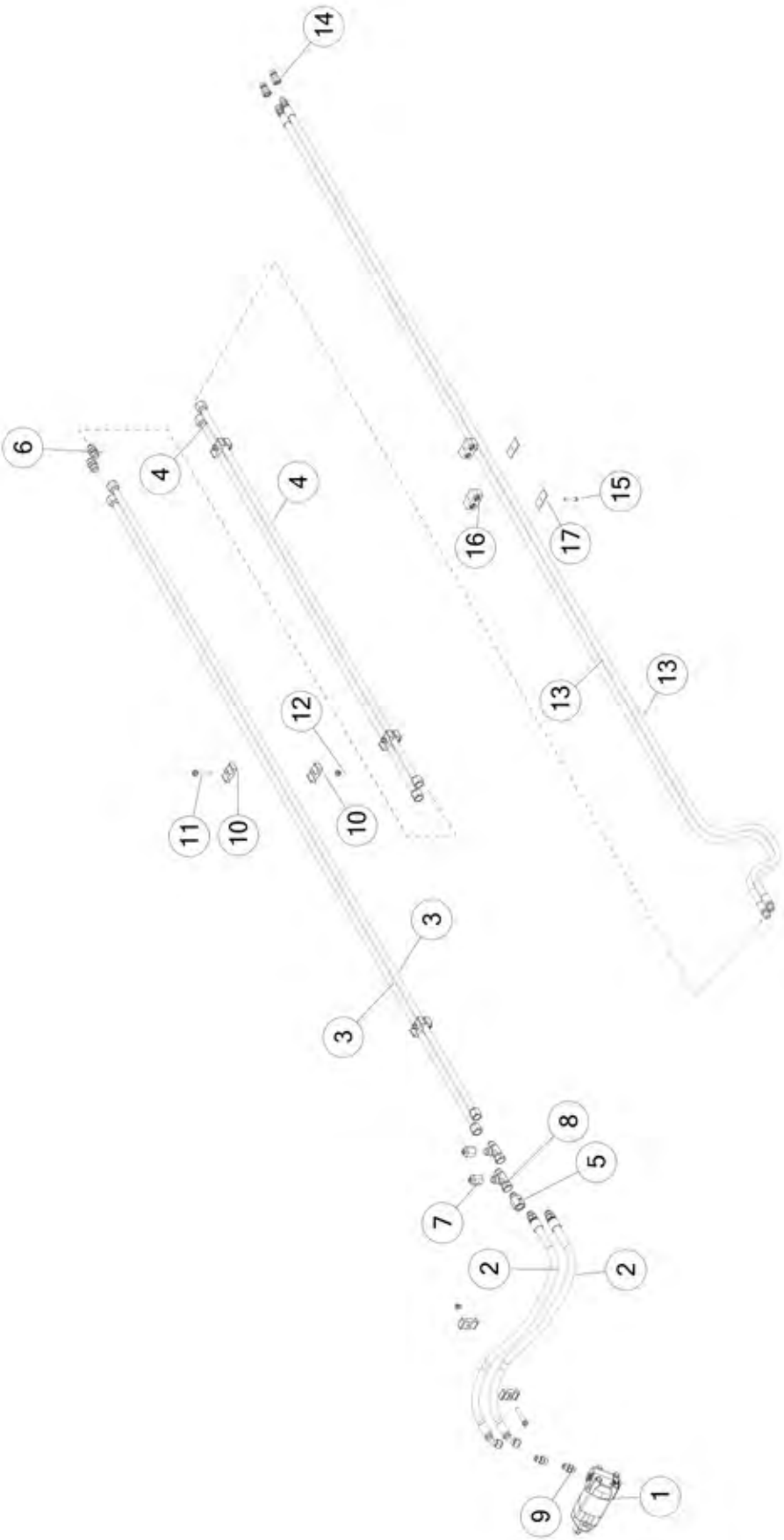
## FIGURE 11

### SAFETY CABLE & COMPONENTS

| <u>ITEM</u> | <u>QTY 23'</u> | <u>QTY 25'</u> | <u>QTY 27'</u> | <u>PART#</u> | <u>DESCRIPTION</u>           |
|-------------|----------------|----------------|----------------|--------------|------------------------------|
| 1           | 1              | -              | -              | 80810        | EMERGENCY STOP CABLE RH      |
| 1           | -              | 1              | -              | 80830        | EMERGENCY STOP CABLE RH      |
| 1           | -              | -              | 1              | 86746        | EMERGENCY STOP CABLE RH      |
| 2           | 1              | -              | -              | 80804        | EMERGENCY STOP CABLE LH      |
| 2           | -              | 1              | -              | 80828        | EMERGENCY STOP CABLE LH      |
| 2           | -              | -              | 1              | 86747        | EMERGENCY STOP CABLE LH      |
| 3           | 1              | 1              | 1              | 80576        | EMERGENCY STOP CABLE         |
| 4           | 1              | 1              | 1              | F33          | SIDE CABLE GUIDE             |
| 5           | 1              | 1              | 1              | YBTE12015    | BOLT TURNED EYE, 3/8 X 2-1/2 |
| 6           | 3              | 3              | 3              | 85283        | GROMMET                      |
| 7           | 1              | 1              | 1              | YBFB10001    | BOLT FLANGE, 5/16 X 1 G5     |
| 8           | 1              | 1              | 1              | YBFB12003    | BOLT FLANGE, 3/8 X 1 G5      |
| 9           | 1              | 1              | 1              | YBPU08005    | PIPE U BOLT, 1/4 X 3/4       |
| 10          | 1              | 1              | 1              | YWFL08005    | WASHER FLAT, 1/4             |
| 11          | 6              | 6              | 6              | YNHX08006    | NUT HEX, 1/4 G5              |
| 12          | 1              | 1              | 1              | YNHX12005    | NUT HEX, 3/8                 |
| 13          | 2              | 2              | 2              | YNFG12006    | NUT FLANGE, 3/8              |
| 14          | 1              | 1              | 1              | YNFG10005    | NUT FLANGE, 5/16             |
| 15          | 2              | 2              | 2              | YNFG08010    | NUT FLANGE, 1/4              |

- NOT USED ON THIS MODEL

**FIGURE 12**  
**23 FT HYDRAULICS**

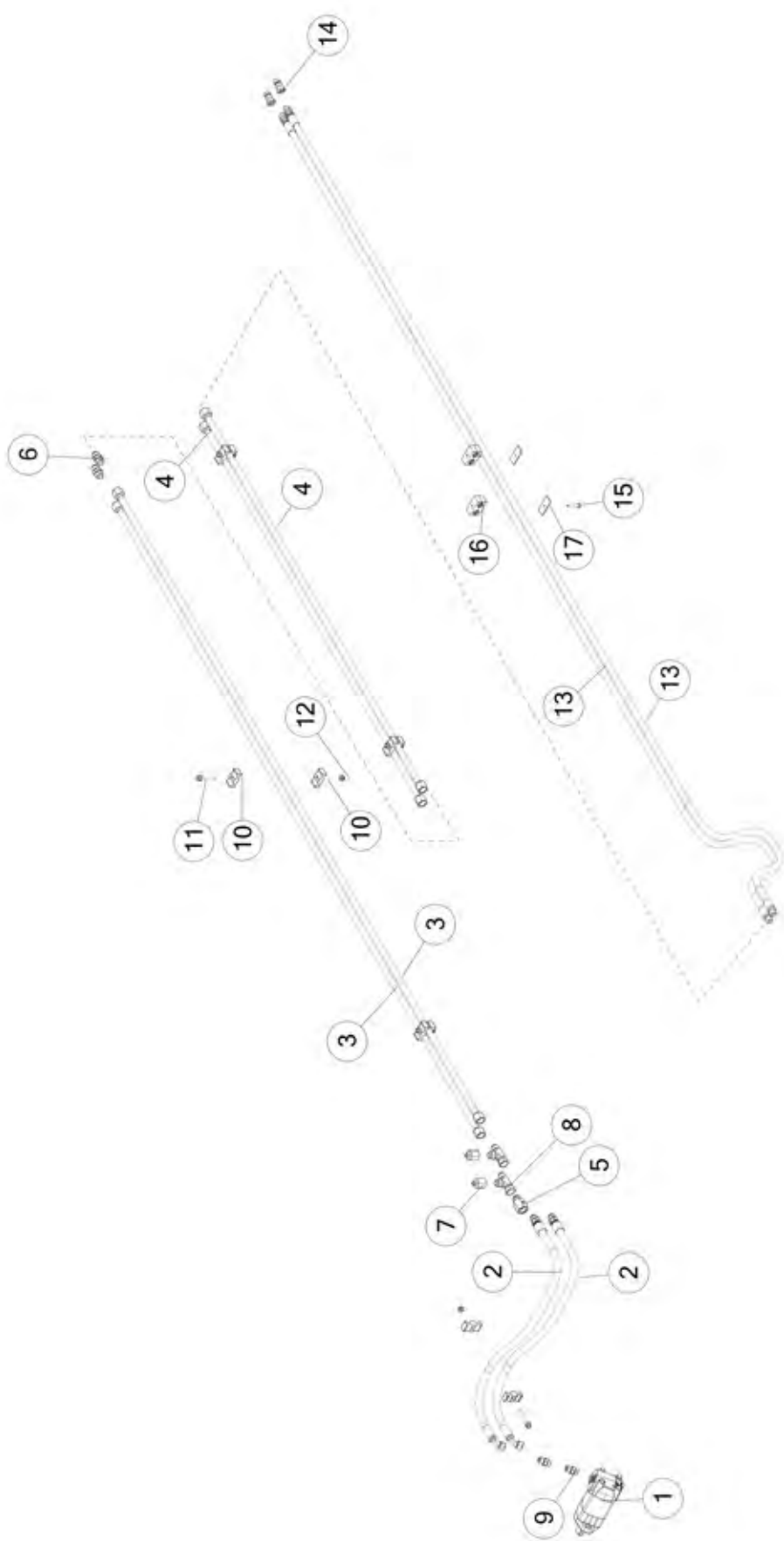


## **FIGURE 12**

### **23 FT HYDRAULICS**

| <b><u>ITEM</u></b> | <b><u>QTY 23'</u></b> | <b><u>PART#</u></b> | <b><u>DESCRIPTION</u></b>           |
|--------------------|-----------------------|---------------------|-------------------------------------|
| 1                  | 1                     | 16SV150             | HYDRAULIC MOTOR                     |
| 2                  | 2                     | 86465               | HYDRAULIC HOSE, 10 X 46             |
| 3                  | 4                     | 86473               | HYDRAULIC TUBE, 3/4 X 10 FT         |
| 4                  | 2                     | 56564               | CLAMP TOP PLATE                     |
| 5                  | 1                     | 86477               | HYD VALVE, CHECK, 3/4               |
| 6                  | 2                     | CHM189              | FITTING ST, 12 JIC, 12 JIC          |
| 7                  | 2                     | 86540               | FITTING, STRAIGHT, 12JIC X 6JIC     |
| 8                  | 2                     | CHM180              | FITTING, TEE, 12JIC X 12JIC X 12JIC |
| 9                  | 2                     | GM57                | FITTING, ST, 10JIC, 10ORB, STL      |
| 10                 | 14                    | 86567               | DOUBLE CLAMP, UNIVERSAL             |
| 11                 | 7                     | YBFB12250           | BOLT FLANGE, 3/8 X 2-1/2 G5         |
| 12                 | 7                     | YNFG12006           | NUT FLANGE, 3/8                     |
| 13                 | 2                     | 73578               | HOSE HYDRAULIC                      |
| 14                 | 2                     | 67148               | QUICK COUPLERS                      |
| 15                 | 2                     | 56569               | CLAMP BOLTS, 5/16 X 1-3/4           |
| 16                 | 2                     | 56596               | CLAMP CUSHION                       |
| 17                 | 1                     | 60062               | FITTING, SWIVEL NUT ELBOW, 3/8      |

**FIGURE 12**  
**25 FT HYDRAULICS**

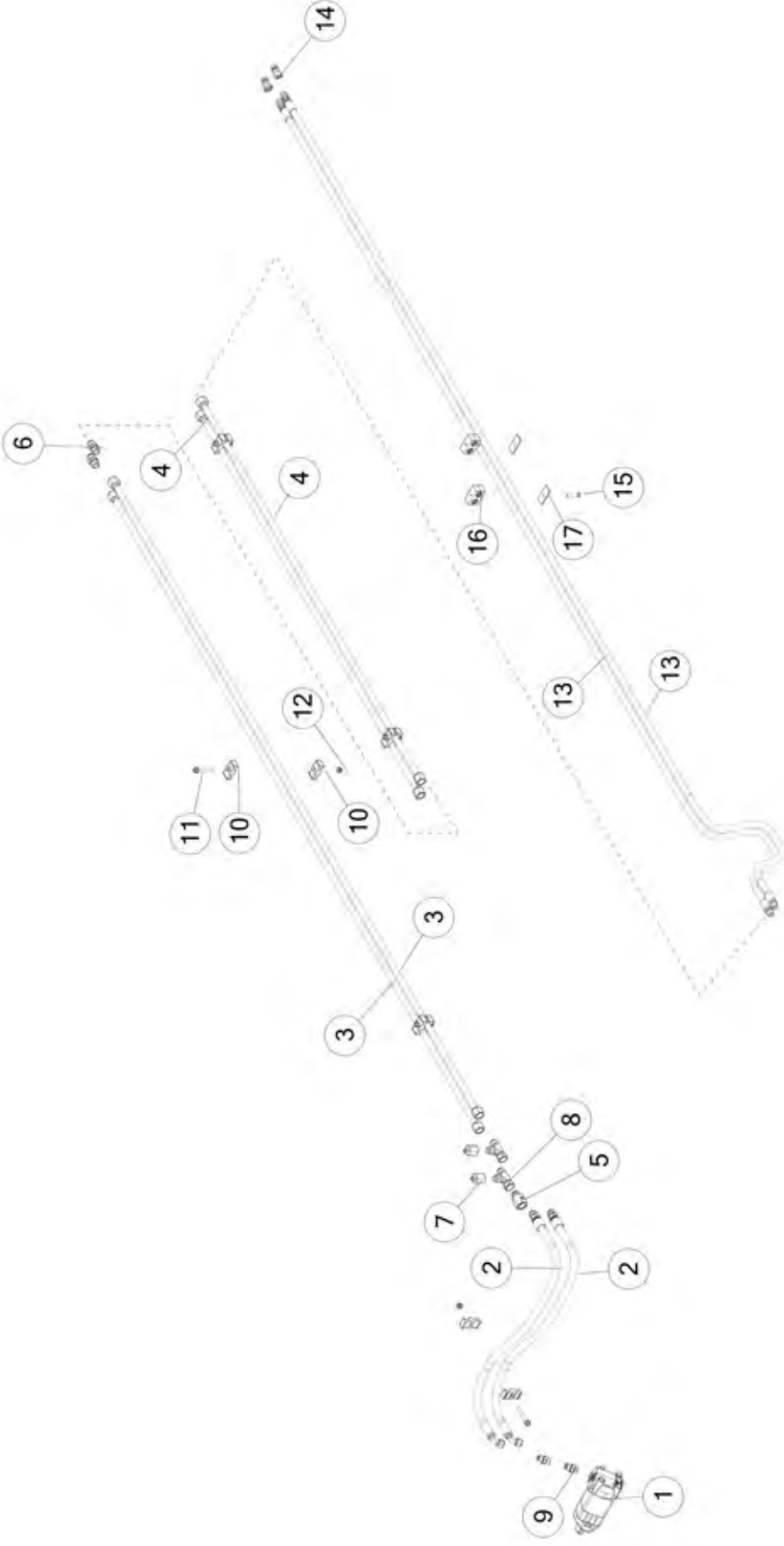


## FIGURE 12

### 25 FT HYDRAULICS

| <u>ITEM</u> | <u>QTY 25'</u> | <u>PART#</u> | <u>DESCRIPTION</u>                  |
|-------------|----------------|--------------|-------------------------------------|
| 1           | 1              | 16SV150      | HYDRAULIC MOTOR                     |
| 2           | 2              | 86465        | HYDRAULIC HOSE, 10 X 46             |
| 3           | 2              | 86473        | HYDRAULIC TUBE, 3/4 X 10 FT         |
| 4           | 4              | 86475        | HYDRAULIC TUBE, 3/4 X 6 FT          |
| 5           | 1              | 86477        | HYDRAULIC VALVE, CHECK, 3/4         |
| 6           | 2              | CHM189       | FITTING ST, 12 JIC, 12 JIC          |
| 7           | 2              | 86540        | FITTING, STRAIGHT, 12JIC X 6JIC     |
| 8           | 2              | CHM180       | FITTING, TEE, 12JIC X 12JIC X 12JIC |
| 9           | 2              | GM57         | FITTING, ST, 10JIC, 10ORB, STL      |
| 10          | 14             | 86567        | DOUBLE CLAMP, UNIVERSAL             |
| 11          | 7              | YBFB12250    | BOLT FLANGE, 3/8 X 2-1/2 G5         |
| 12          | 7              | YNFG12006    | NUT FLANGE, 3/8                     |
| 13          | 2              | 86946        | HOSE HYDRAULIC                      |
| 14          | 2              | 67148        | QUICK COUPLERS                      |
| 15          | 2              | 56569        | CLAMP BOLTS, 5/16 X 1-3/4           |
| 16          | 2              | 56596        | CLAMP CUSHION                       |
| 17          | 2              | 56564        | CLAMP TOP PLATE                     |

**FIGURE 12**  
**27 FT HYDRAULICS**



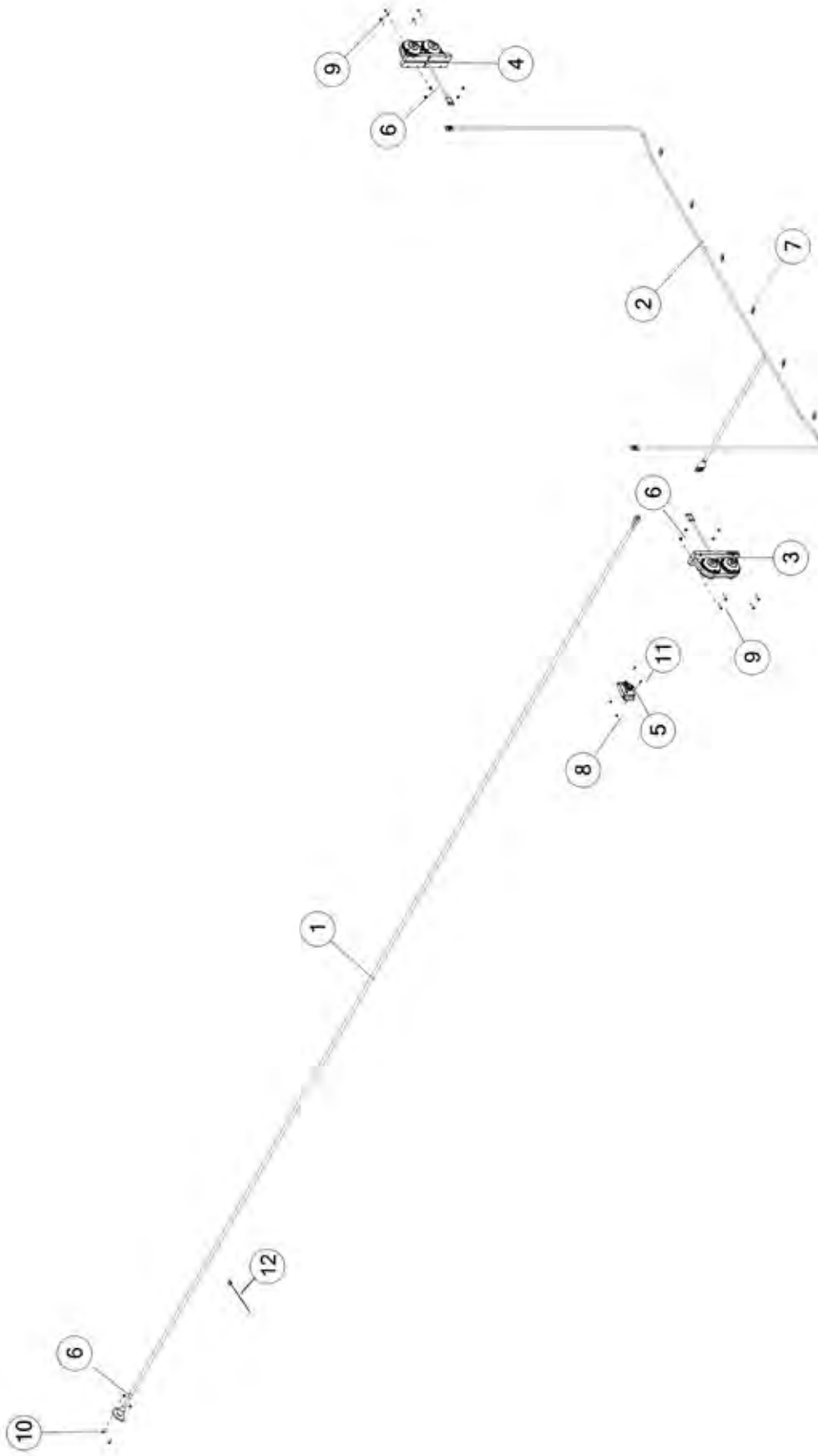
## FIGURE 12

### 27 FT HYDRAULICS

| <u>ITEM</u> | <u>QTY 27'</u> | <u>PART#</u> | <u>DESCRIPTION</u>                  |
|-------------|----------------|--------------|-------------------------------------|
| 1           | 1              | 16SV150      | HYDRAULIC MOTOR                     |
| 2           | 2              | 86465        | HYDRAULIC HOSE, 10 X 46             |
| 3           | 2              | 86473        | HYDRAULIC TUBE, 3/4 X 10 FT         |
| 4           | 4              | 86475        | HYDRAULIC TUBE, 3/4 X 6 FT          |
| *           | 2              | 86474        | HYDRAULIC TUBE, 3/4 X 8 FT          |
| 5           | 1              | 86477        | HYDRAULIC VALVE, CHECK, 3/4         |
| 6           | 2              | CHM189       | FITTING ST, 12 JIC, 12 JIC          |
| 7           | 2              | 86540        | FITTING, STRAIGHT, 12JIC X 6JIC     |
| 8           | 2              | CHM180       | FITTING, TEE, 12JIC X 12JIC X 12JIC |
| 9           | 2              | GM57         | FITTING, ST, 10JIC, 10ORB, STL      |
| 10          | 14             | 86567        | DOUBLE CLAMP, UNIVERSAL             |
| 11          | 7              | YBFB12250    | BOLT FLANGE, 3/8 X 2-1/2 G5         |
| 12          | 7              | YNFG12006    | NUT FLANGE, 3/8                     |
| 13          | 2              | 86946        | HOSE HYDRAULIC                      |
| 14          | 2              | 67148        | QUICK COUPLERS                      |
| 15          | 2              | 56569        | CLAMP BOLTS, 5/16 X 1-3/4           |
| 16          | 2              | 56596        | CLAMP CUSHION                       |
| 17          | 2              | 56564        | CLAMP TOP PLATE                     |

\* NOT SHOWN

**FIGURE 13**  
**LIGHTS**



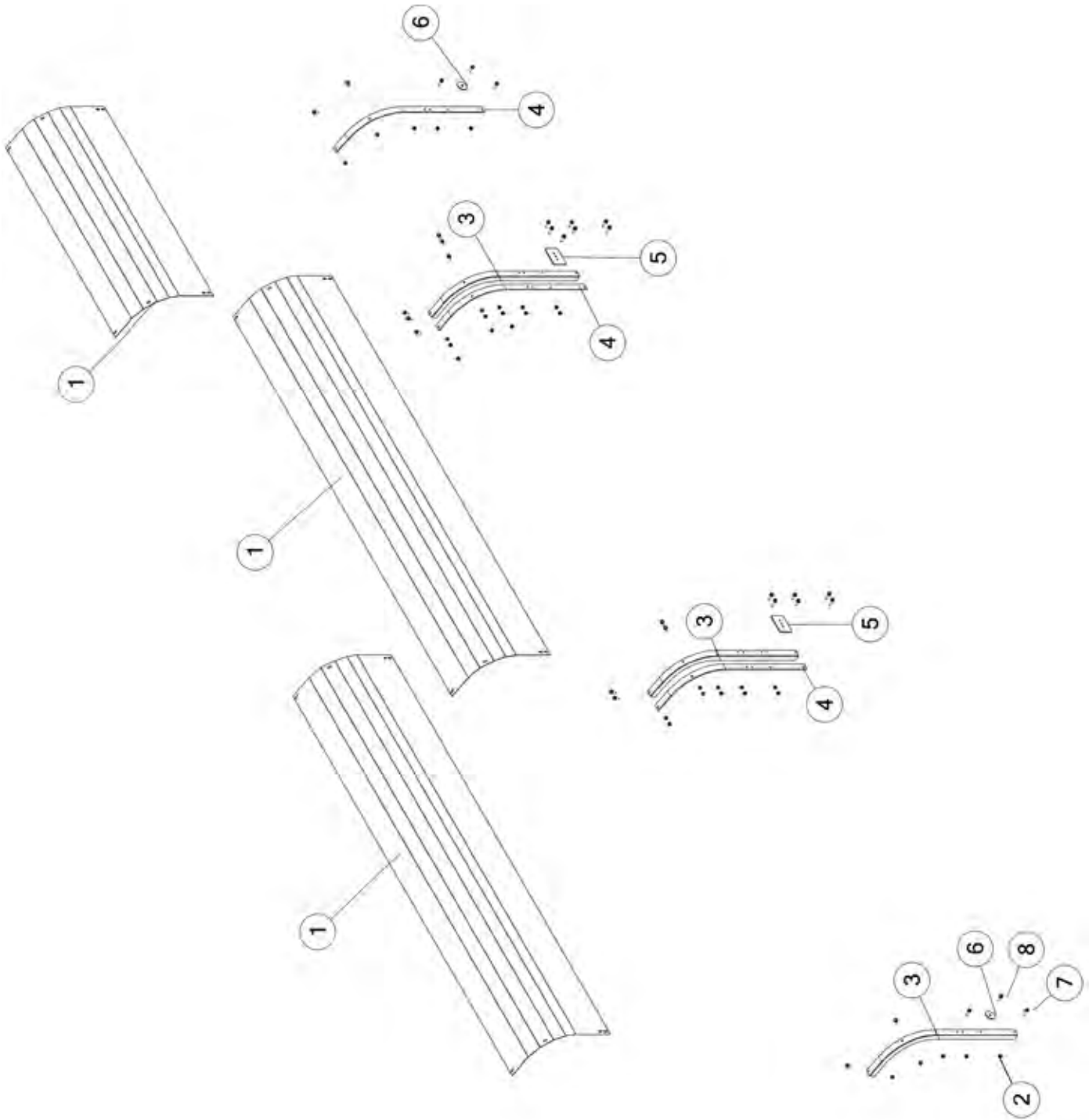


## FIGURE 13 LIGHTS

| <u>ITEM</u> | <u>QTY 23'</u> | <u>QTY 25'</u> | <u>QTY 27'</u> | <u>PART#</u> | <u>DESCRIPTION</u>         |
|-------------|----------------|----------------|----------------|--------------|----------------------------|
| 1           | 1              | -              | -              | S540         | LIGHT HARNESS, FRONT       |
| 1           | -              | 1              | -              | S541         | LIGHT HARNESS, FRONT       |
| 1           | -              | -              | 1              | BFR670       | LIGHT HARNESS, FRONT       |
| 2           | 1              | 1              | 1              | 78360        | LIGHT HARNESS, BACK        |
| 3           | 1              | 1              | 1              | 77923        | TAIL LIGHT LH              |
| 4           | 1              | 1              | 1              | 77924        | TAIL LIGHT RH              |
| 5           | 1              | 1              | 1              | 72755        | MODULE                     |
| 6           | 10             | 10             | 10             | YNFG08010    | NUT FLANGE, 1/4            |
| 7           | 6              | 6              | 6              | 56021        | METAL CHASSIS CLIP         |
| 8           | 3              | 3              | 3              | YNNY64005    | NUT HEX                    |
| 9           | 8              | 8              | 8              | YBHH08035    | BOLT HEX, 1/4 X 1-1/4      |
| 10          | 2              | 2              | 2              | YBFB08075    | BOLT FLANGE 1/4 X 3/4 G5   |
| 11          | 3              | 3              | 3              | YSPN64005    | MACHINE PPHS, #10-24 X 5/8 |
| 12          | 19             | 19             | 19             | CIZT101      | ZIPTIE                     |

- NOT USED ON THIS MODEL

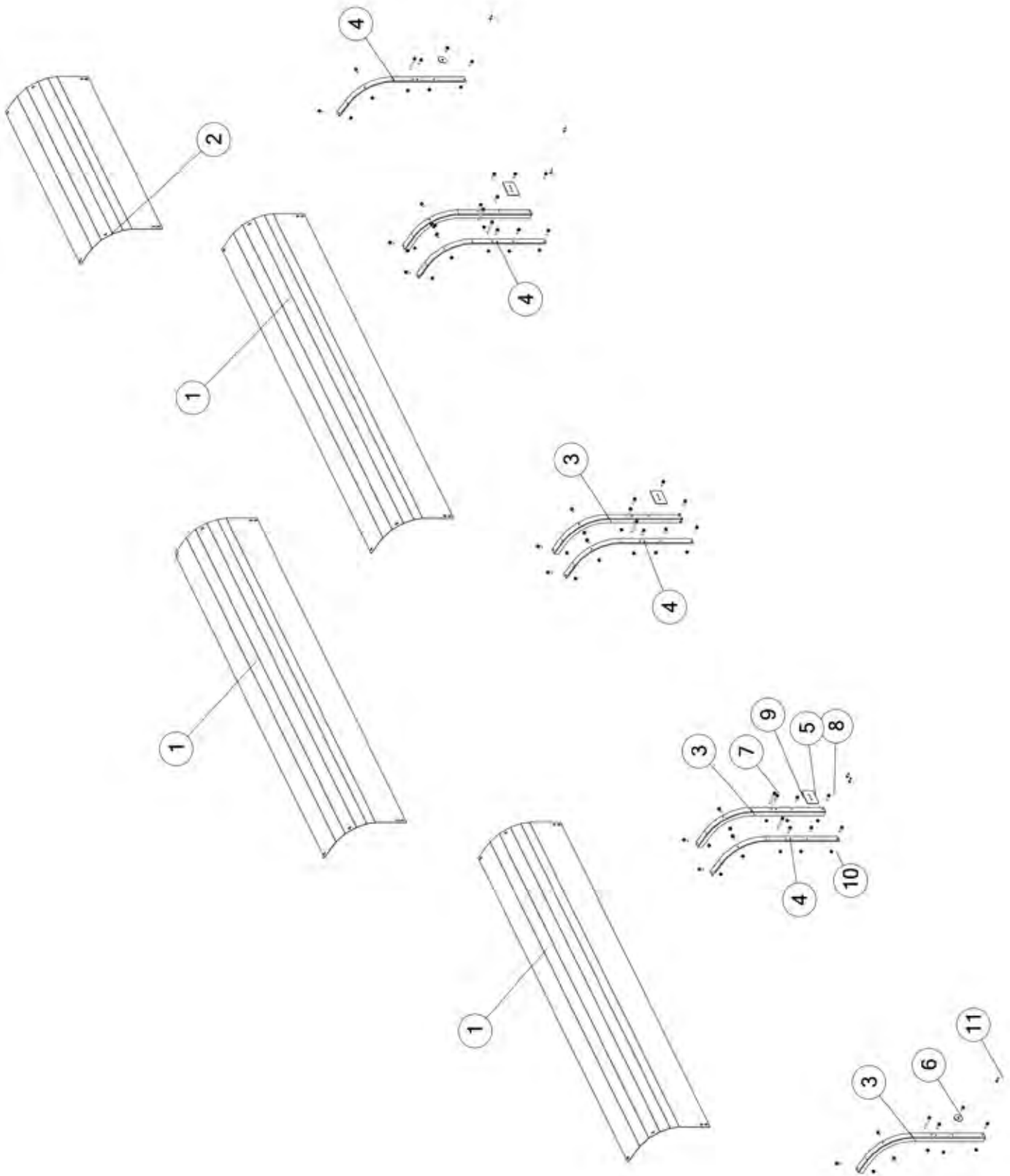
**FIGURE 14**  
**23 & 25 FT OPTIONAL ROOF HOOD**



**FIGURE 14**  
**23 & 25 FT OPTIONAL ROOF HOOD**

| <u>ITEM</u> | <u>QTY 23'</u> | <u>QTY 25'</u> | <u>PART#</u> | <u>DESCRIPTION</u>           |
|-------------|----------------|----------------|--------------|------------------------------|
| 1           | 3              | 3              | 86789        | ROOF EDGE RADIUS             |
| 2           | 33             | 33             | YNFG10005    | NUT FLANGE, 5/16             |
| 3           | 3              | 3              | 86756        | ROOF RADIUS SUPPORT LH       |
| 4           | 3              | 3              | 86755        | ROOF RADIUS SUPPORT RH       |
| 5           | 2              | 2              | 82969        | ROOF HOOD SCREEN WASHER      |
| 6           | 2              | 2              | YWCU12005    | WASHER                       |
| 7           | 13             | 13             | YBFB10125    | BOLT FLANGE, 5/16 X 1-1/4 G5 |
| 8           | 20             | 20             | YBFB10001    | BOLT FLANGE, 5/16 X 1 G5     |

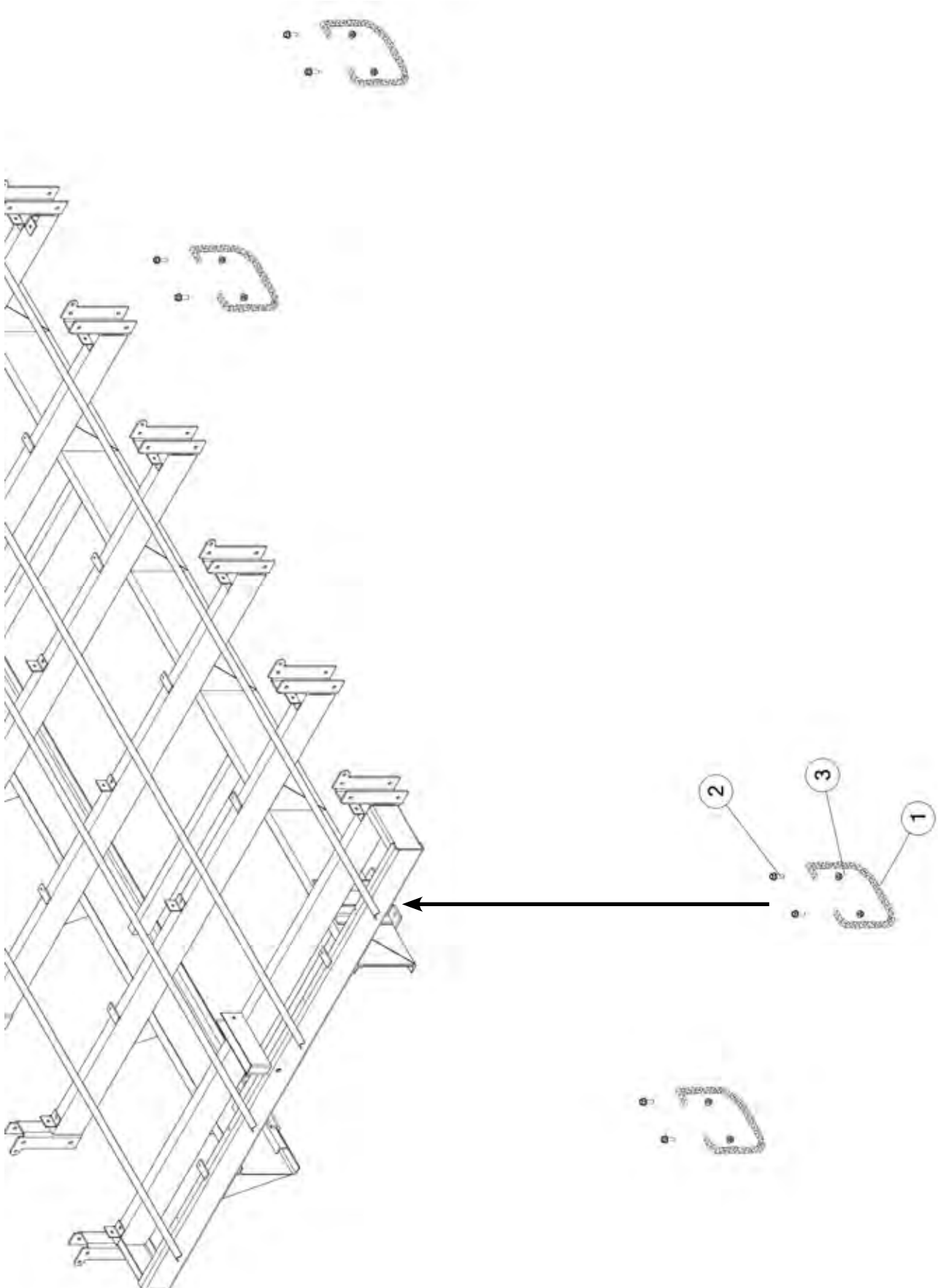
# **FIGURE 14** **27 FT OPTIONAL ROOF HOOD**



**FIGURE 14**  
**27 FT OPTIONAL ROOF HOOD**

| <u>ITEM</u> | <u>QTY 27'</u> | <u>PART#</u> | <u>DESCRIPTION</u>                               |
|-------------|----------------|--------------|--|
| 1           | 3              | 86789        | ROOF EDGE RADIUS                                 |
| 2           | 1              | 86834        | ROOF EDGE RADIUS                                 |
| 3           | 4              | 86756        | ROOF RADIUS SUPPORT LEFT                         |
| 4           | 4              | 86755        | ROOF RADIUS SUPPORT RIGHT                        |
| 5           | 3              | 82969        | ROOF HOOD SCREEN WASHER                          |
| 6           | 2              | YWCU12005    | WASHER   |
| 7           | 9              | YBFB10300    | BOLT FLG, 5/16 X 3 G5                            |
| 8           | 17             | YBFB10125    | BOLT FLG, 5/16 X 1-1/4 G5                        |
| 9           | 26             | YBFB10001    | BOLT FLG, 5/16 X 1 G5                            |
| 10          | 43             | YNFG10005    | NUT FLG, 5/16 GF                                 |
| 11          | 8              | YSDR08005    | SELF DRILLING SCREW, HEX WASHER HEAD, 1/4-14 X 1 |

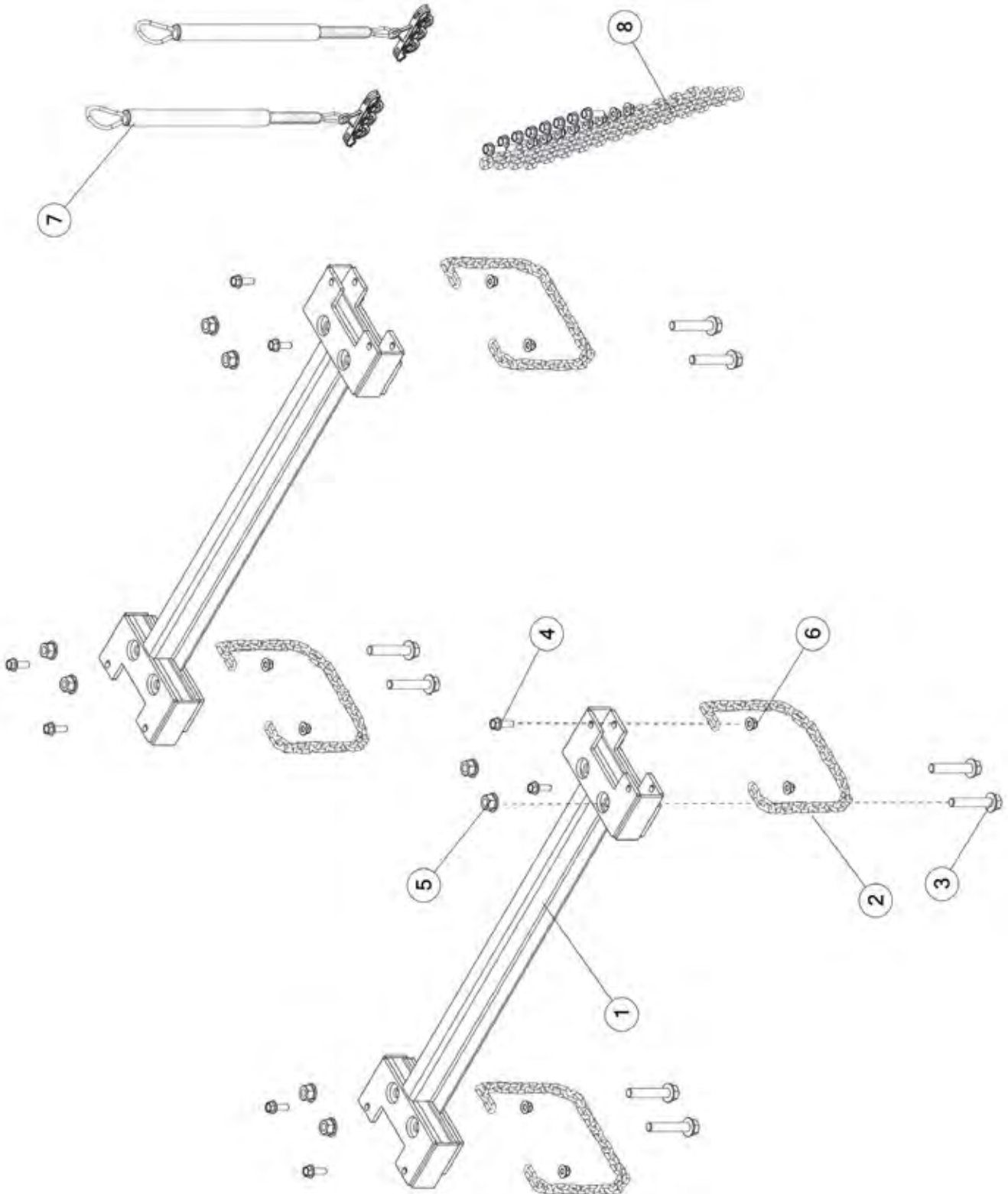
**FIGURE 15**  
**TIE DOWN KIT**



**FIGURE 15**  
**TIE DOWN KIT**

| <b><u>ITEM</u></b> | <b><u>QTY 23'</u></b> | <b><u>QTY 25'</u></b> | <b><u>QTY 27'</u></b> | <b><u>PART#</u></b> | <b><u>DESCRIPTION</u></b>   |
|--------------------|-----------------------|-----------------------|-----------------------|---------------------|-----------------------------|
| 1                  | 4                     | 4                     | 4                     | S322                | CHAIN COIL                  |
| 2                  | 8                     | 8                     | 8                     | YBFB16150           | BOLT FLANGE, 1/2 X 1-1/2 G5 |
| 3                  | 8                     | 8                     | 8                     | YNFG16003           | NUT FLANGE, 1/2             |

# **FIGURE 16** **42 INCH CONVERSION KIT RGOCK**





**FIGURE 16**  
**42 INCH CONVERSION KIT RGOCK**

| <b><u>ITEM</u></b> | <b><u>QTY</u></b> | <b><u>PART#</u></b> | <b><u>DESCRIPTION</u></b>    |
|--------------------|-------------------|---------------------|------------------------------|
| 1                  | 2                 | 92313               | SPACER                       |
| 2                  | 4                 | S322                | CHAIN, COIL, 1/4 X 42        |
| 3                  | 8                 | YBFB24400           | BOLT FLANGE, 3/4 X 4 G5      |
| 4                  | 8                 | YBFB16150           | BOLT FLANGE, 1/2 X 1-1/2 G5  |
| 5                  | 8                 | YNFG24006           | NUT FLANGE, 3/4-10 LKTL G ZC |
| 6                  | 8                 | YNFG16003           | NUT FLANGE, 1/2 GF           |
| 7                  | 2                 | 91044               | TETHER, HOSES                |
| 8                  | 4                 | T9B                 | TIE DOWN KIT                 |



# CHANGE NOTES

H&S MFG. CO.  
products approved  
for the  
FEMA  
SEAL OF QUALITY



Manufactured by:  
H&S MANUFACTURING CO., INC.  
2608 S. HUME AVE. MARSHFIELD, WI 54449  
(715) 387-3414 | hsmfgco.com

