

# **H&S** PARTS BOOK

## 7223/7225/7227 FORAGE BOXES



Revision #00

7223 Starting Ser. #021SD23001

7225 Starting Ser. #021SD25001

7227 Starting Ser. #021SD27001

HSMFG0420

Part #86601

Manufactured by  
**H&S MANUFACTURING CO., INC.**  
2608 S. HUME AVE. MARSHFIELD, WI 54449  
(715) 387-3414 | hsmfgco.com



# **SECTION**

Instructions for Ordering Parts .....	1
E.H Unit .....	3-39
23/25/27' Forage Boxes .....	40-83
Parts Notes .....	84

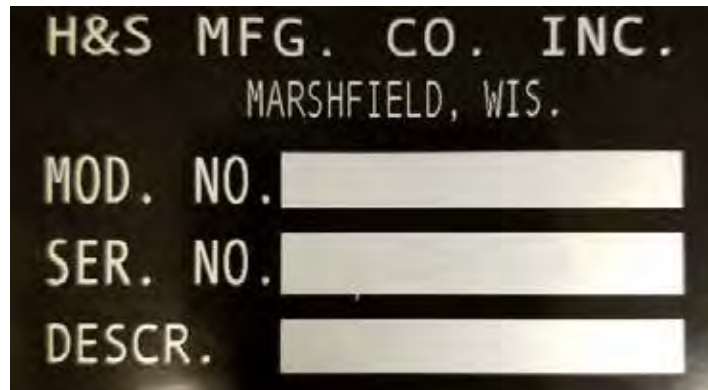
# **INSTRUCTIONS FOR ORDERING PARTS**

All service parts should be ordered through your authorized H&S dealer. Your Dealership will be able to give you faster service if you will provide them with the following:

1. Model & Serial Number - Both can be located on the side of the center bearing post above jack mount.
2. All references to left or right apply to the machine as viewed from the rear.
3. Parts should not be ordered from illustration only. Please order complete part number.
4. If your dealer has to order parts - give shipping instructions:

VIA truck - large pieces (please specify local truck lines)

VIA United Parcel Service (include full address)



PLEASE RECORD NUMBERS FOR YOUR UNIT FOR QUICK REFERENCE

## **ABOUT IMPROVEMENTS**

H&S IS CONTINUALLY STRIVING TO IMPROVE IT'S PRODUCTS

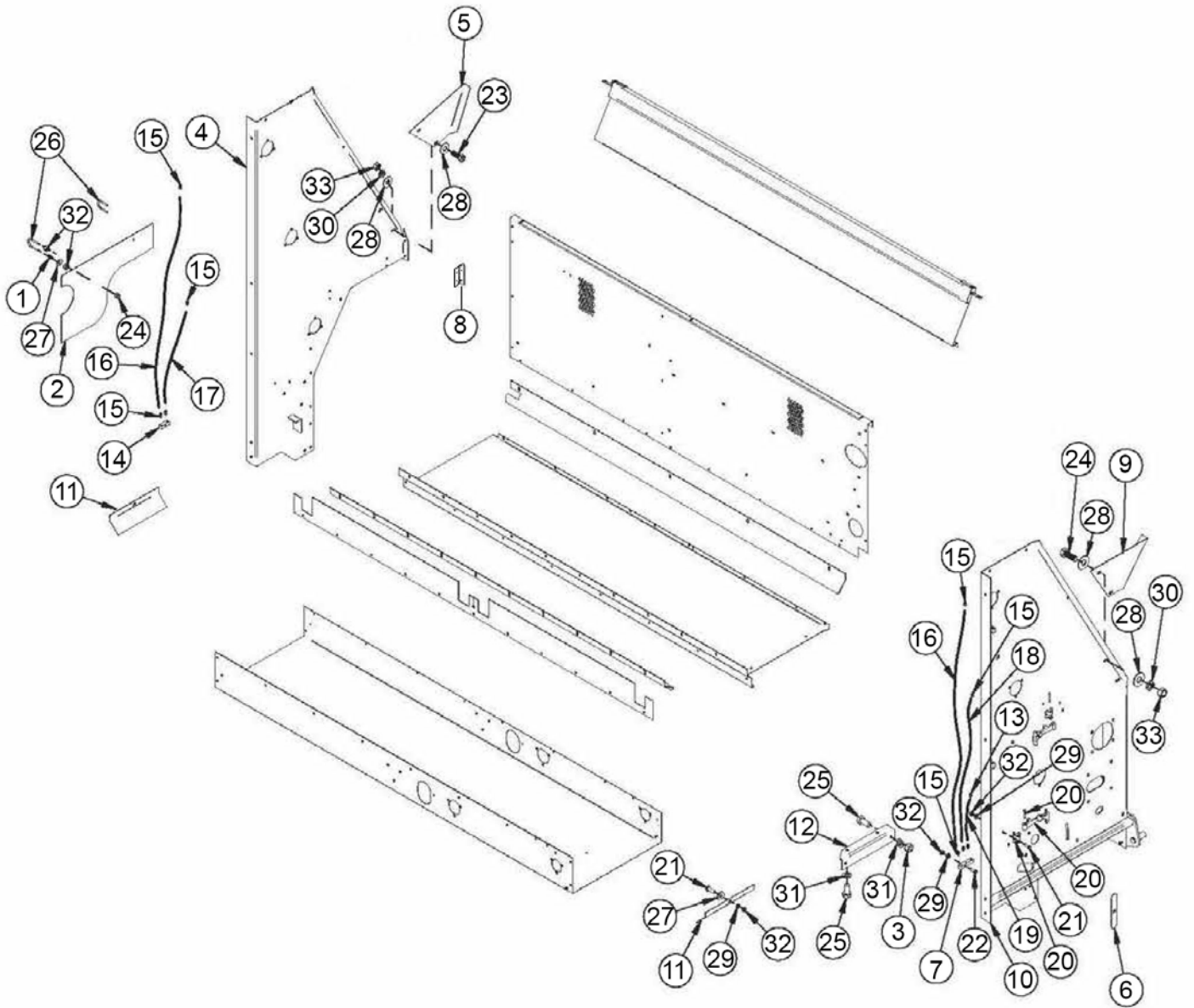
We must therefore, reserve the right to make improvements or changes whenever it becomes practical to do so, without incurring any obligation to make changes or additions to the equipment previously sold.

E.H. UNIT

## **E.H. SECTION CONTENTS**

Figure 1 - Housing Components (Sides) . . . . .	4-5
Figure 2 - Housing Components (Front and Bottom) . . . . .	6-7
Figure 3 - Beaters . . . . .	8-11
Figure 4 - Apron Drive . . . . .	12-13
Figure 5 - Cross Apron Drive . . . . .	14-15
Figure 6 - Extension . . . . .	16-17
Figure 7 - Hydraulic Drive . . . . .	18-19
Figure 8 - Beater Clutch . . . . .	20-21
Figure 9 - Motor Mount . . . . .	22-23
Figure 10 - Shields . . . . .	24-25
Figure 11 - Beater Gearbox . . . . .	26-27
Figure 12 - Worm Gearbox . . . . .	28-29
Figure 13 - Unit Harness Routing . . . . .	30-31
Figure 14 - Control Box . . . . .	32-33
Figure 15 - Main Wiring Harness . . . . .	34
Figure 16 - Unit Harness . . . . .	35
Figure 17 - Extension Hydraulics . . . . .	36-37
Figure 18 - Manifold . . . . .	38-39

# **FIGURE 1** **HOUSING COMPONENTS (SIDES)**



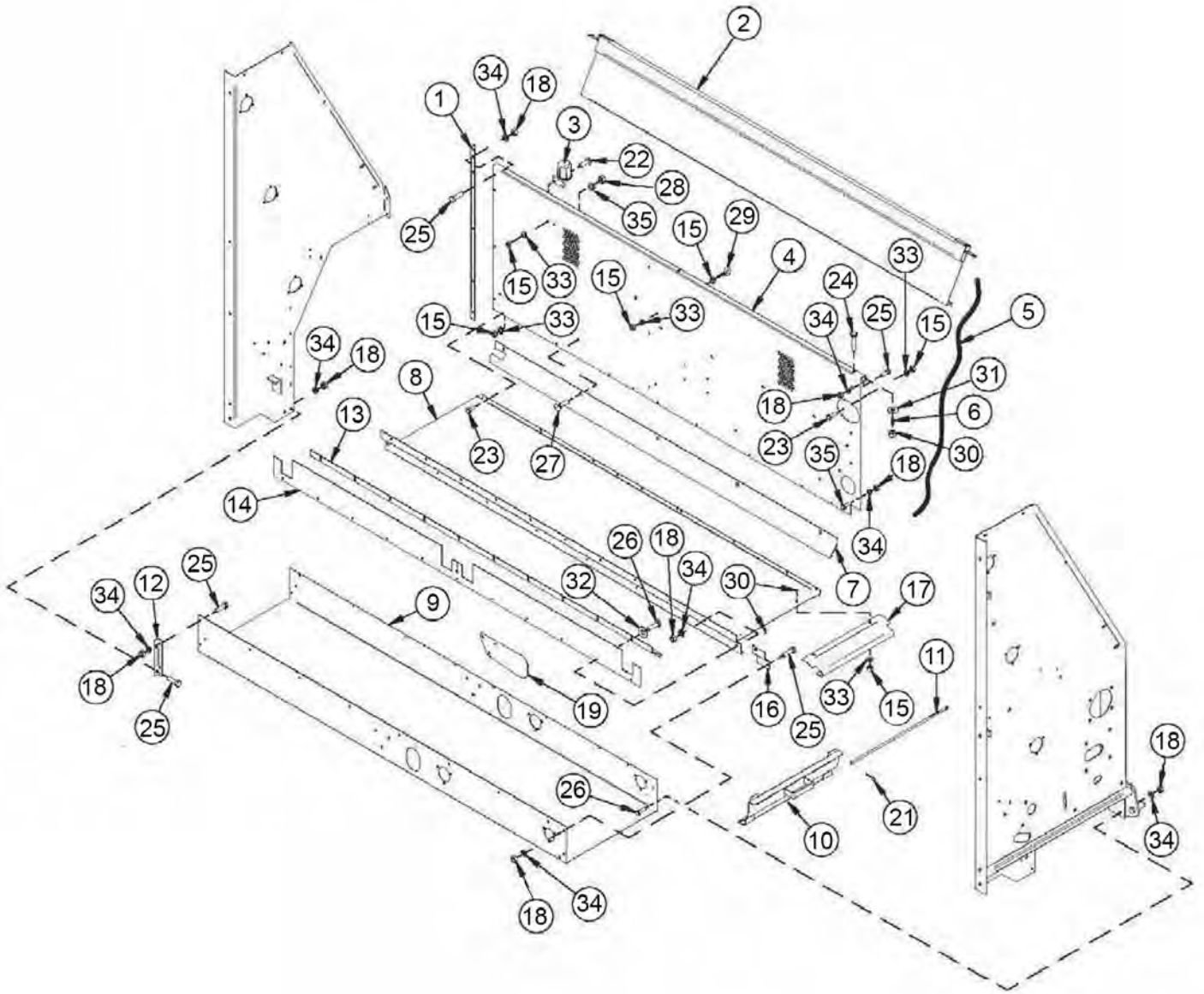
# FIGURE 1

## HOUSING COMPONENTS (SIDES)

<u>ITEM</u>	<u>QTY</u>	<u>PART#</u>	<u>DESCRIPTION</u>
1	1	S1	SPRING
2	1	79107	POLY SHIELD
3	2	YNHX16005	NUT HEX, 1/2
4	1	86785B	SIDE PANEL LH
5	1	80620	EMERGENCY STOP PANEL LH
6	1	SD86	SLOT COVER
7	1	SD83	GREASE BLOCK (3-PORT)
*	1	SD146	GREASE BLOCK (4-PORT) 4TH BEATER ONLY
8	1	73343	BRACKET
9	1	80619	EMERGENCY STOP BRKT RH
10	1	86786B	MAIN PANEL RIGHT
11	2	S20	APRON SIDE SPACER
12	1	SD99	GEARBOX ANGLE
13	5	SD82	GREASE LINE FITTING 90°
14	1	SD79	GREASE BLOCK
*	1	SD83	GREASE BLOCK (3-PORT) 4TH BEATER ONLY
15	5	S47	GREASE LINE FITTING
16	2	SD80	GREASE LINE, 54-1/2
17	1	SD81	GREASE LINE, 40-1/4
18	1	SD98	GREASE LINE, 29
19	1	SD109	GREASE LINE, 14
20	6	X233	LATCH
21	3	YBHH08100	BOLT HEX, 1/4 X 3/4 G5
22	1	YBHH08010	BOLT HEX, 1/4 X 1 G5
23	4	YBHH12135	BOLT HEX, 3/8 X 3/4 G5
24	4	YNNY08005	NUT HEX, NYLON LOCKNUT, 1/4
25	4	YBHH16010	BOLT HEX, 1/2 X 1 G5
26	2	YBPU08005	BOLT, U-BOLT, 1/4 X 3/4
27	3	YWFL08005	WASHER, FLAT, 1/4
28	8	YWFL12005	WASHER, FLAT, 3/8
29	4	YWLO08005	WASHER, LOCK, 1/4
30	4	YWLO12005	WASHER, LOCK, 3/8
31	4	YWLO16005	WASHER, LOCK, 1/2
32	8	YNHX08005	NUT HEX, 1/4
33	4	YNHX12005	NUT HEX, 3/8

\* NOT SHOWN

**FIGURE 2**  
**HOUSING COMPONENTS (FRONT & BOTTOM)**





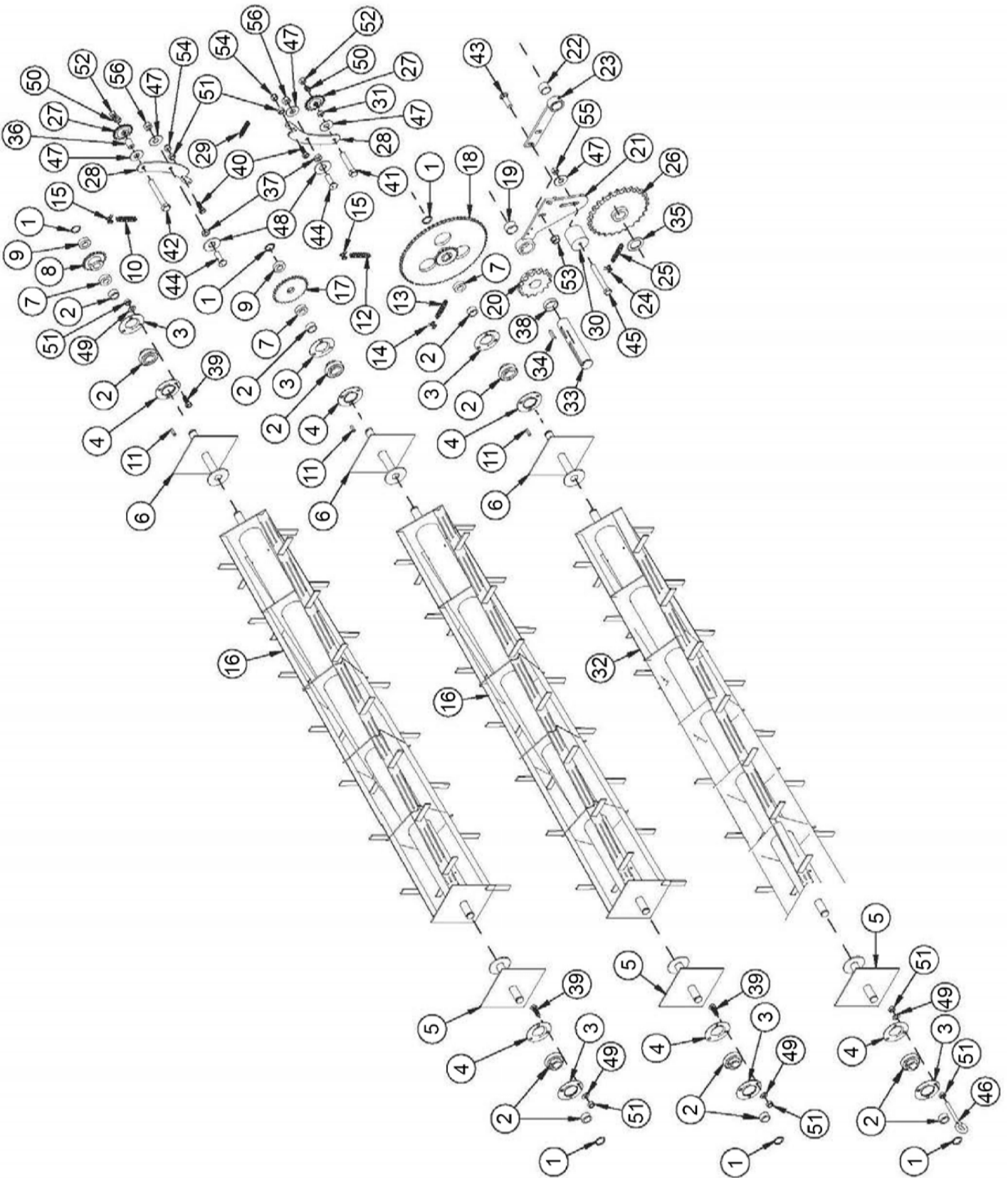
## FIGURE 2

### HOUSING COMPONENTS (FRONT & BOTTOM)

<u>ITEM</u>	<u>QTY</u>	<u>PART#</u>	<u>DESCRIPTION</u>
1	1	S22	FRONT ANGLE LH
2	1	86817B	EMERGENCY STOP PANEL
3	1	CHM38	PLUG STORAGE
4	1	SD224B	MAIN PANEL FRONT
5	1	S8	EMERGENCY STOP CABLE
*	2	ES14	THIMBLE
*	2	ES15	CABLE CLAMP
6	3	S7	SPRING FOR EMERGENCY STOP
7	1	SD5	CROSS CONVEYOR FRONT HOLD-DOWN
8	1	SD6	CROSS APRON PAN
9	1	SD7	RETURN PAN
10	1	SD8B	RETURN PAN END
11	1	SD10	RETURN PAN END ROD
12	1	S19	RETURN PAN ANGLE LH
13	1	SD11	CROSS CONVEYOR BACK HOLD-DOWN
14	1	S306	RUBBER SEAL
15	18	YNHX08005	NUT HEX, 1/4
16	1	SD12	TUB END
17	1	SD13	TUB EXTENSION
18	33	YNHX10005	NUT HEX, 5/16
19	1	SD221	ACCESS COVER
20	3	YNTL08005	NUT HEX, TOP LOCK, 1/4
21	1	YPHR02010	HAIR PIN, #21-07
22	2	YBHH08015	BOLT HEX, 1/4 X 1/2 G5
23	10	YBHH08100	BOLT HEX, 1/4 X 3/4 G5
24	3	YBHH08025	BOLT HEX, 1/4 X 1-1/2 G5
25	20	YBHH10105	BOLT HEX, 5/16 X 3/4 G5
26	13	YBHH10010	BOLT HEX, 5/16 X 1 G5
27	5	YBCR12065	BOLT CARRIAGE, 3/8 X 3/4 G5
28	13	YNHX12005	NUT HEX, 3/8
29	2	YBTE08005	BOLT TURNED, 1/4 X 1
30	2	YSTM08004	SCREW SLOTTED TRUSS HEAD, 1/4 x 3/4
31	3	YWFL08005	WASHER FLAT, 1/4
32	11	YWFL10005	WASHER FLAT, 5/16
33	16	YWLO08005	WASHER LOCK, 1/4
34	33	YWLO10005	WASHER LOCK, 5/16
35	5	YWLO12005	WASHER LOCK, 3/8

\* NOT SHOWN

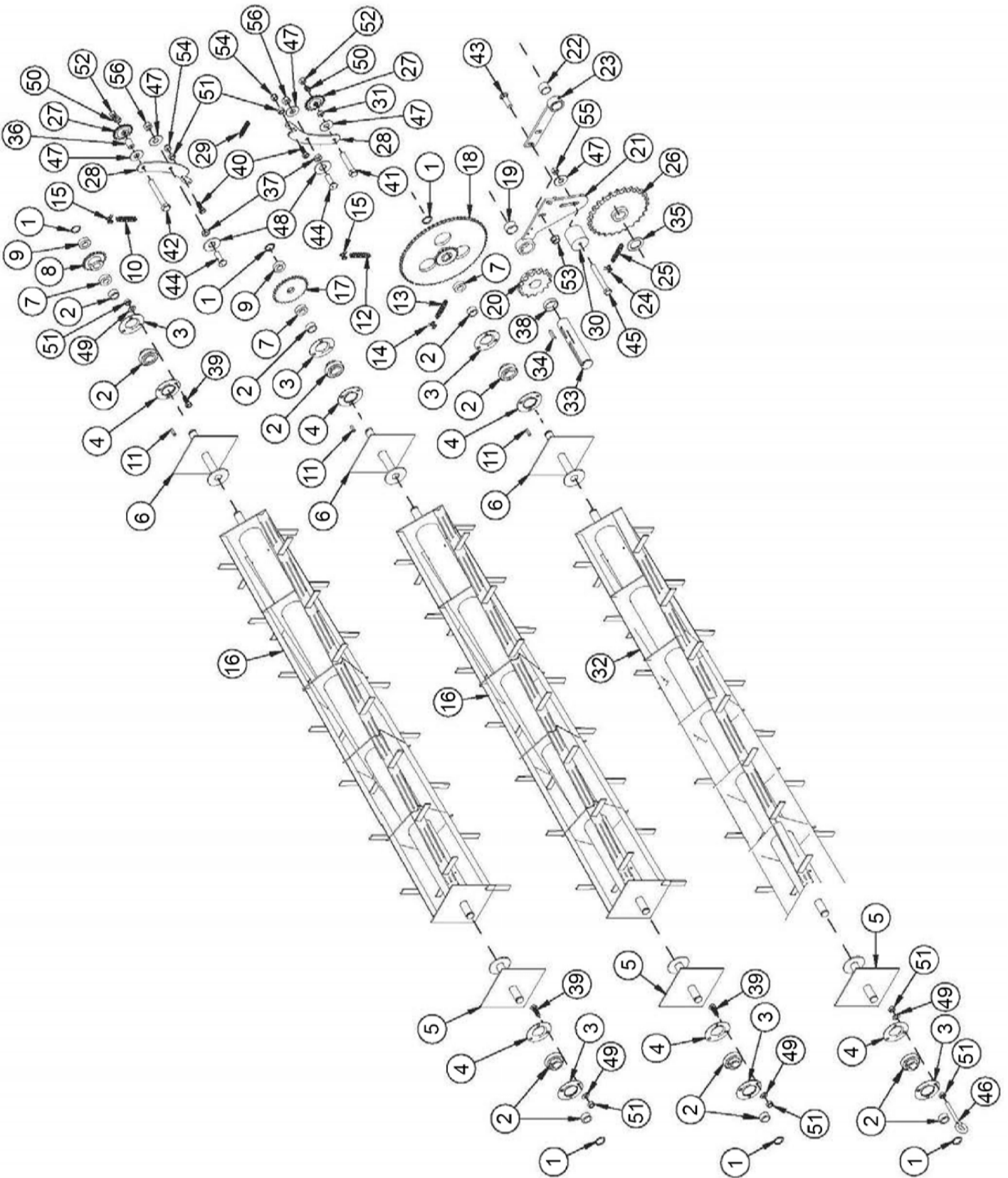
**FIGURE 3**  
**BEATERS**



## FIGURE 3 BEATERS

<u>ITEM</u>	<u>QTY</u>	<u>PART#</u>	<u>DESCRIPTION</u>
1	6	F73	SNAP RING
2	12	12N122	BEARING W/ LOCK COLLAR
3	6	F114	BEARING FLANGE W/ZERK
4	6	F14	BEARING FLANGE
5	3	80633	BEATER STUB SHAFT LH
6	3	76251	BEATER STUB SHAFT RH
7	3	S218	SPACER, 3/8
8	1	S26	3RD BEATER SPROCKET 20 TOOTH
9	2	S219	SPACER, 1/4
10	1	X58	2ND TO 3RD BEATER CHAIN (89 PITCHES X #50)
11	3	G23A	SQUARE KEY, 5/16 X 1-1/4"
12	1	S31	1ST TO 2ND BEATER CHAIN (98 PITCHES X #50)
13	1	SD14	BEATER DRIVE CHAIN (85 PITCHES X #60)
14	1	X61	# 50 CONNECTOR LINK
15	2	D39	# 60 CONNECTOR LINK
16	2	76201	BEATER
17	1	S30	2ND BEATER SPROCKET (30 TO 13 TOOTH)
18	1	SD15	1ST BEATER SPROCKET (20 TO 65 TOOTH)
19	1	SD16	BUSHING, 2-1/4 OD X 2 ID X 1.125
20	1	SD17	WORM SHAFT SPROCKET (100-B-14)
21	1	SD18	WORM SHAFT BRACE
22	1	72722	BRONZE BUSHING
23	1	86830	DRIVE SHAFT BRACE
24	1	33SV77	# 100 CONNECTOR LINK
25	1	SD20	DRIVE CHAIN (#100 X 47 PITCH)
26	1	SD23	CLUTCH ASSEMBLY SPROCKET
27	2	K101	SPROCKET 17 TOOTH
28	2	SD77	TIGHTENER BAR
29	1	R27	SPRING
30	1	SD84	POLY TIGHTENER
31	1	SD88	TENSIONER SPACER
32	1	SD107	1ST BEATER (5 CROSSES)
33	1	SD89	OUTPUT SHAFT (A110)
34	1	G139	SQUARE KEY HARDENED, 3/8 X 1-1/2
35	1	72680	DRIVE SHAFT SHIM
36	1	SD212	TENSIONER SPACER
37	2	SD177	SPACER
38	1	SDPI07	OUTPUT SHAFT SPACER

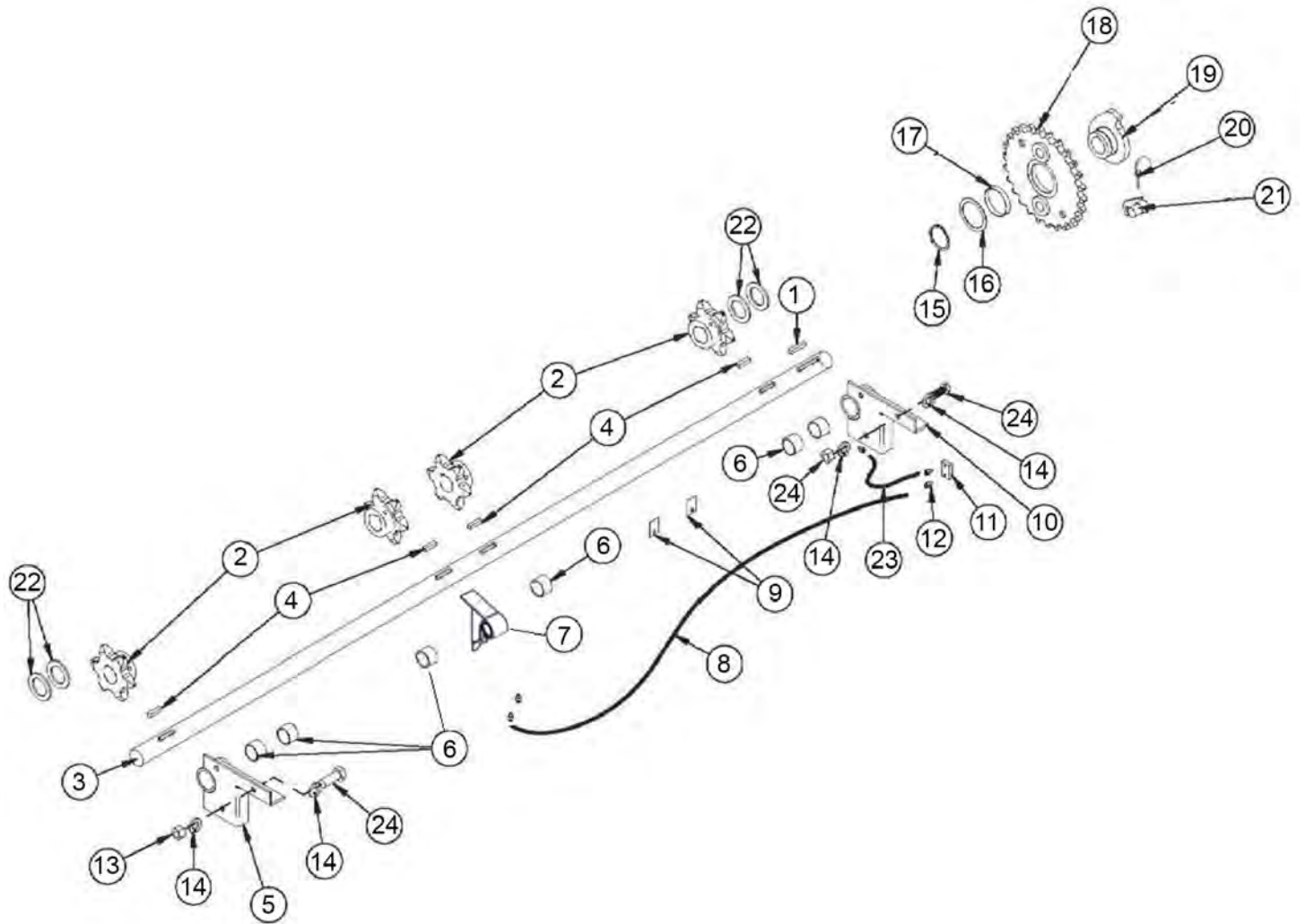
**FIGURE 3**  
**BEATERS**



## **FIGURE 3** **BEATERS**

<b><u>ITEM</u></b>	<b><u>QTY</u></b>	<b><u>PART#</u></b>	<b><u>DESCRIPTION</u></b>
39	17	YBHH12010	BOLT HEX, 3/8 X 1 G5
40	2	YBHH12035	BOLT HEX, 3/8 X 1-1/4 G5
41	1	YBHH16080	BOLT HEX, 1/2 X 2-1/2 G5
42	1	YBHH16115	BOLT HEX, 1/2 X 3-1/2 G5
43	2	YBCR16015	BOLT CARRIAGE, 1/2 X 1-1/4 G5
44	2	YBCR16010	BOLT CARRIAGE, 1/2 X 1-1/2 G5
45	1	YBCR16045	BOLT CARRIAGE, 1/2 X 4 G5
46	1	YBTE12015	BOLT TURNED EYE, 3/8 X 2-1/2
47	5	YWFL16005	WASHER, FLAT, 1/2
48	2	YWFL24005	WASHER, FLAT, 3/4
49	18	YWLO12005	WASHER, LOCK, 3/8
50	2	YWLO16005	WASHER, LOCK, 1/2
51	21	YNHX12005	NUT HEX, 3/8
52	2	YNHX16005	NUT HEX, 1/2
53	2	YNFG16005	NUT HEX, FLANGED LOCK, 1/2
54	2	YNNY12005	NUT HEX, NYLON LOCKNUT, 3/8
55	1	YNRL16005	NUT HEX, REVERSIBLE-SIDE LOCK, 1/2
56	2	YNTL16005	NUT HEX, TOP LOCK, 1/2

# FIGURE 4 APRON DRIVE

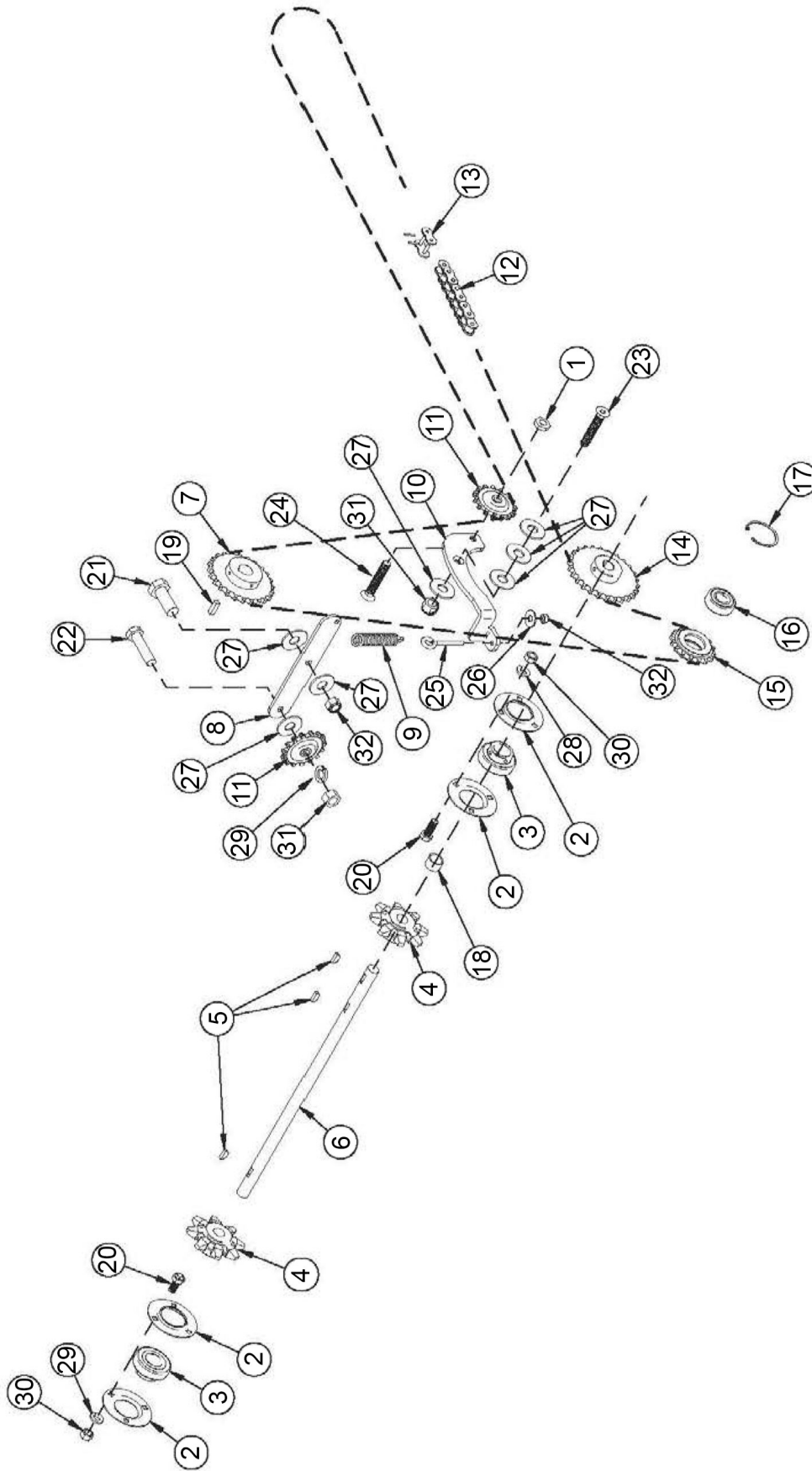


## FIGURE 4

### APRON DRIVE

<u>ITEM</u>	<u>QTY</u>	<u>PART#</u>	<u>DESCRIPTION</u>
1	1	S38	KEY, 3/8 X 2-3/8 SQUARE
2	4	72669	6 TOOTH STEEL SPROCKET
3	1	72662	APRON DRIVE SHAFT
4	4	56N174	SQUARE KEY W/ROUND ENDS HARDENED, 3/8 X 2
5	1	72665	DRIVE SHAFT BRACKET ASSY, LH
6	6	S50	DRIVE SHAFT BUSHING
7	1	72657	CENTER BEARING BRACKET
8	1	S49	GREASE LINE (LONG)
9	2	S67	GREASE LINE CLIP
10	1	72651	DRIVE SHAFT BRACKET ASSY, RH
11	1	S46	GREASE LINE BRACKET
12	4	S47	GREASE LINE FITTING
13	6	YNHX16005	NUT HEX, 1/2
14	12	YWLO16005	WASHER, LOCK, 1/2
15	1	SD202	SNAP RING (5100-300)
16	1	72712	CLUTCH SPROCKET SHIM
17	1	72705	BRONZE BUSHING
18	1	SD23	DRIVE SHAFT SPROCKET (100-A-26)
19	1	72694	CLUTCH DOG
20	1	YPLY06010	LYNCH PIN
21	1	PB191	CLUTCH DOG
22	4	72680	DRIVE SHAFT SHIM
23	1	S48	GREASE LINE
24	6	YBHH16045	BOLT HEX, 1/2 X 1-1/4 G5

# FIGURE 5 CROSS APRON DRIVE



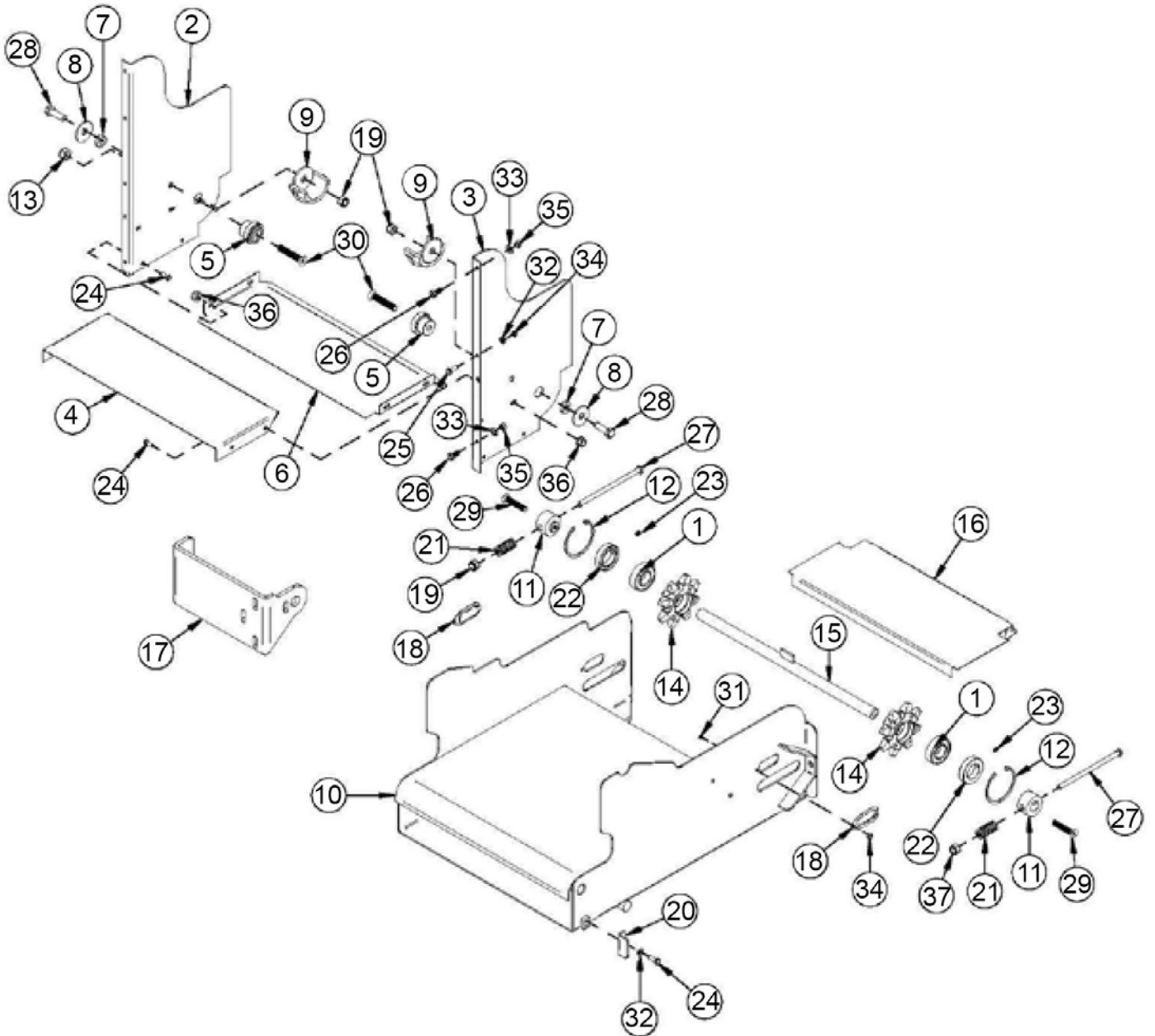


## FIGURE 5

### CROSS APRON DRIVE

<u>ITEM</u>	<u>QTY</u>	<u>PART#</u>	<u>DESCRIPTION</u>
1	1	YNTJ16005	NUT HEX, TOP LOCK JAM 1/2
2	4	4C7	BEARING FLANGE
3	2	4C8	BEARING WITH LOCK COLLAR
4	2	L10R24	8 TOOTH SPROCKET
5	3	5B10	WOODRUFF KEY, 1/4 X 1
6	1	SD24	CROSS APRON DRIVE SHAFT
7	1	SD25	SPROCKET (60-B-24)
8	1	SD87	PRIMARY TIGHTENER BAR
9	1	ST36	SPRING
10	1	SD91	CHAIN TIGHTENER PRIMARY
11	2	12N42	15 TOOTH IDLER SPROCKET
12	1	SD222	# 60 CHAIN X 155 PITCH
13	1	D39	# 60 CONNECTOR LINK
14	1	SD225	CROSS APRON DRIVE SPROCKET (60-B-30)
15	1	SD28	IDLER SPROCKET (60-C-16)
16	1	SD263	BEARING
17	1	K92	SNAP RING
18	1	SD210	APRON SPROCKET SPACER
19	1	WM121	SQUARE KEY, 5/16 X 1
20	1	YBHH16045	BOLT HEX, 1/2 X 1-1/4 G5
21	1	YBHH16065	BOLT HEX, 1/2 X 2 G5
22	1	YSFS16025	SCREW FLAT HEAD SOCKET CAP, 1/2 X 2
23	1	YSFS16035	SCREW FLAT HEAD SOCKET CAP, 1/2 X 2-1/4
24	1	YBTE10015	BOLT TURNED EYE BOLT 5/16 X 2-1/2
25	1	YWFL10005	WASHER, FLAT, 5/16
26	7	S247	EXTENSION WASHER
27	6	YWLO12005	WASHER, LOCK, 3/8
28	1	YWLO16005	WASHER, LOCK, 1/2
29	6	YNHX12005	NUT HEX, 3/8
30	1	YNHX16005	NUT HEX, 1/2
31	6	YNNY16005	NUT HEX, NYLON LOCKNUT, 1/2
32	1	YNTL10005	NUT HEX, TOP LOCK, 5/16

# **FIGURE 6** **EXTENSION**

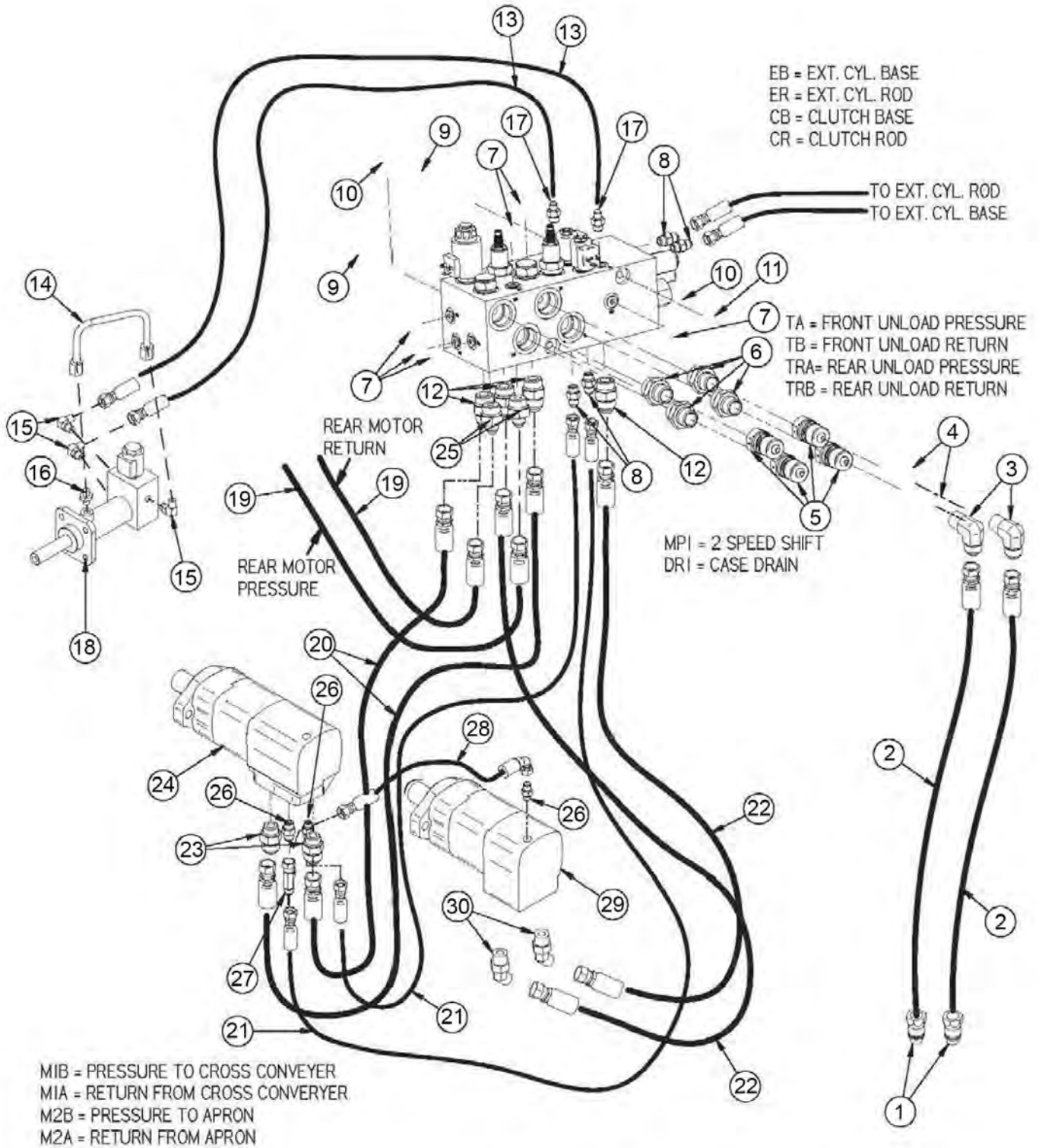


## FIGURE 6 EXTENSION

<u>ITEM</u>	<u>QTY</u>	<u>PART#</u>	<u>DESCRIPTION</u>
1	2	SD263	BEARING
2	1	SD172	EXTENSION PANEL BACK
3	1	SD173	EXTENSION PANEL FRONT
4	1	SD174	PAN EXTENSION
5	2	SD175	CHAIN ROLLER HOLD-DOWN
6	1	SD176	RETURN PAN EXTENSION
7	2	SD177	SHELL SPACER
8	2	S247	EXTENSION WASHER
9	2	S245	CHAIN SLIDE
10	1	SD261	EXTENSION SHELL LONG
11	2	SD313	TIGHTENER
12	2	SD262	SNAP RING
13	2	YNTL16005	NUT HEX, TOP LOCK, 1/2
14	2	SD180	8 TOOTH SPROCKET
15	1	SD314	APRON IDLER SHAFT
16	1	SD182	CHAIN SLIDE
17	1	SD248	CYLINDER MOUNT TOP
18	2	SD186	COVER
19	1	YNNY16005	NUT HEX, NYLON LOCKNUT, 1/2
20	1	SD249	LIMIT SWITCH PAD
21	2	WM210	SPRING - RED
*	1	S89	CROSS CONVEYOR (123 LINKS)
*	1	SD306	CROSS CONVEYOR (31 LINKS)
*	1	SD311	CROSS CONVEYOR (S89 W/ SD306)
*	1	K121	CONNECTOR LINK
22	2	SD312	BEARING SHIELD
23	2	YSKP08010	SET SCREW, SOCKET, KNURLED CUP PT, 1/4 X 1/2
24	8	YBHH08015	BOLT HEX, 1/4 X 1/2 G5
25	5	YBHH08100	BOLT HEX, 1/4 X 3/4 G5
26	4	YBHH10105	BOLT HEX, 5/16 X 3/4 G5
27	2	YBHH16180	BOLT HEX, 1/2 X 7 G5
28	2	YBHH16030	BOLT HEX, 1/2 X 1-1/2 G5
29	2	YSFS16015	SCREW FLAT HEAD SOCKET CAP, 1/2 X 1-1/4
30	2	YSFS16030	SCREW FLAT HEAD SOCKET CAP, 1/2 X 2-1/2
31	2	YSTM08004	SCREW SLOTTED TRUSS HEAD, ZINC MACHINE, 1/4 x 3/4
32	5	YWLO08005	WASHER, LOCK, 1/4
33	4	YWLO10005	WASHER, LOCK, 5/16
34	7	YNHX08005	HEX NUT, 1/4
35	4	YNHX10005	HEX NUT, 5/16
36	8	YNFG08005	HEX NUT, FLANGED-LOCK, 1/4

\* NOT SHOWN

# FIGURE 7 HYDRAULIC DRIVE



## FIGURE 7

### HYDRAULIC DRIVE

<u>ITEM</u>	<u>QTY</u>	<u>PART#</u>	<u>DESCRIPTION</u>
1	2	DWM205	QUICK COUPLER MALE 1/2
2	2	SD264	HYDRAULIC HOSE 3/4 x 151
3	2	SD265	MALE ELBOW (12 CTX)
4	2	SD266	QUICK COUPLER FEMALE, 3/4
5	4	SD267	QUICK COUPLER MALE, 3/4
6	4	SD319	MALE PIPE ADAPTER
*	2	SD269	PLUG - 16HP50N
7	6	SD270	HOLLOW HEX PLUG (6HP50N)
8	4	CHM257	STRAIGHT THREAD CONNECTOR (6 F50X)
9	2	YBHH12215	BOLT HEX, 3/8 X 5-1/2 G5
10	2	YWLO12005	WASHER, LOCK, 3/8
11	2	YNHX12005	NUT HEX, 3/8
12	4	SD273	STRAIGHT THREAD CONNECTOR
13	2	SD275	HYDRAULIC HOSE 1/4 x 32
14	1	SD276	STEEL LINE
15	3	CHM165	MALE STRAIGHT THREAD (4 C50X)
16	1	58094	FITTING, STRAIGHT, 4 F50X-S
17	2	SD279	STRAIGHT THREAD CONNECTOR (4-6 F50X)
18	1	SD280	SHIFTER CYLINDER COMPLETE
19	2	86946	HYD HOSE, 8, 63 IN
20	2	SD282	HYDRAULIC HOSE 3/4 X 45-1/2
21	2	SD283	HYDRAULIC HOSE 3/8 X 45
22	2	SD284	HYDRAULIC HOSE 3/4 X 30
23	2	GM57	STRAIGHT THREAD CONNECTOR (10 F50X)
24	1	SD285	HYDRAULIC MOTOR
25	2	SD315	STRAIGHT THREAD CONNECTOR
26	2	SD274	PLUG - 12HP50N
27	3	CHM300	STRAIGHT THREAD CONNECTOR
*	1	CHM242	SWIVEL NUT RUN TEE
28	1	SD286	HYDRAULIC HOSE 3/8 X 10
29	1	16SV150	HYDRAULIC MOTOR
30	2	SD320	45 DEGREE STRAIGHT THREAD ELBOW

\* NOT SHOWN

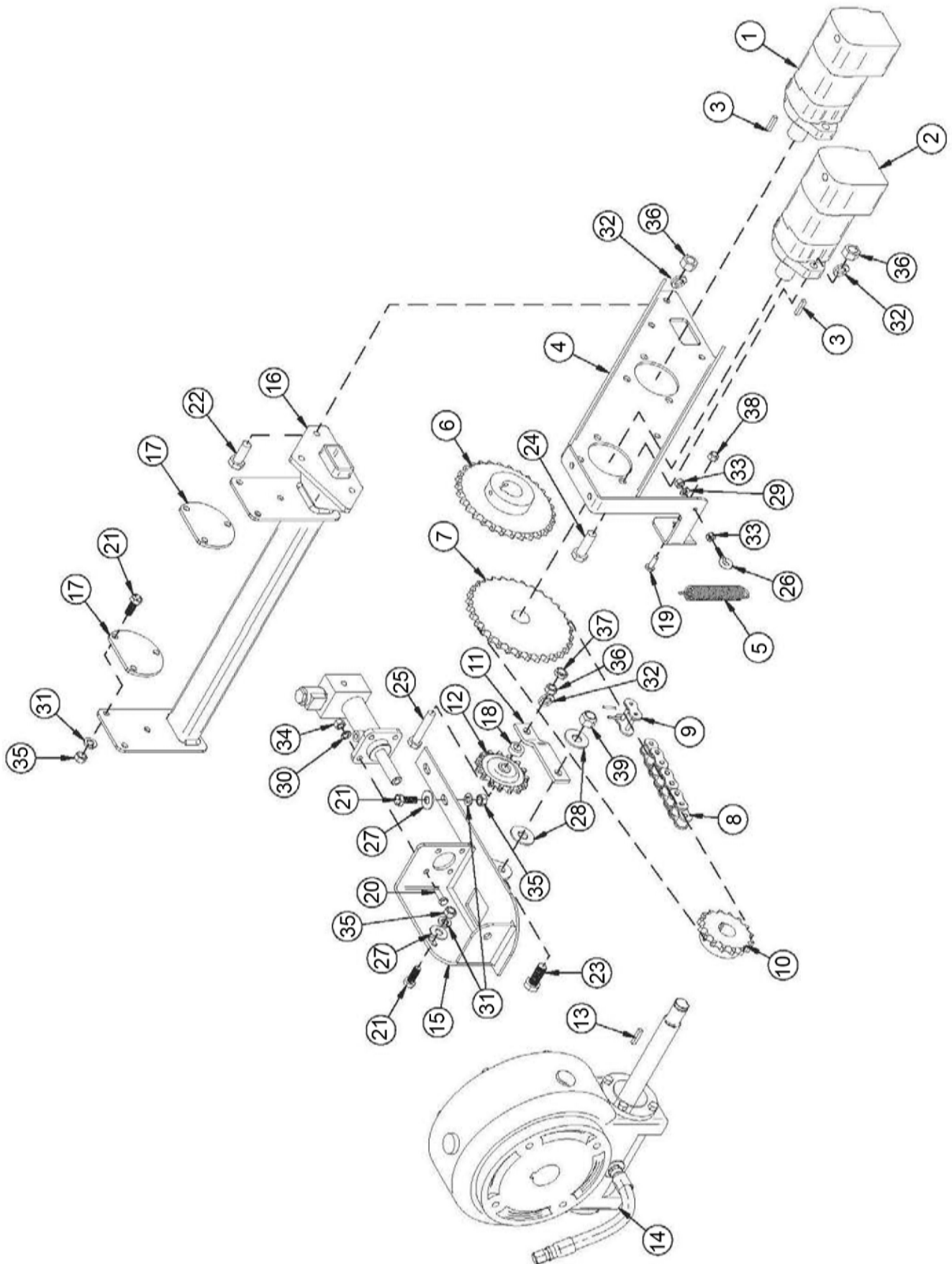


## FIGURE 8

### BEATER CLUTCH

<u>ITEM</u>	<u>QTY</u>	<u>PART#</u>	<u>DESCRIPTION</u>
1	1	SD235	SHIFTING ROD
2	1	SD94	SHIFTER FORK END
3	1	S111	SPRING
4	1	SD152	SHIFTER FORK END OFFSET
5	1	SD41	SHIFTER FORK
6	1	SD45	CLUTCH (SLIDING)
7	1	SDAS26	BEATER CLUTCH SPROCKET
8	1	SDMS27	BUSHING (1-5/8"OD X 1-3/8"ID X 1-5/8")
9	1	SD40	SHIFTER BRACKET
10	1	SD42	CLUTCH PIVOT
11	1	SD237	BEATER GEARBOX COMPLETE
12	1	SD291	KEY W/ROUND ENDS, 5/16 X 1-1/4
13	1	SD25	SPROCKET
14	1	SD85	RETAINING RING
15	1	YPCT04005	COTTER PIN, 1/8 X 1
16	1	YPCV10005	CLEVIS PIN, 5/16 X 1-3/4
17	1	YBHH12025	BOLT HEX, 3/8 X 1-1/2 G5
18	1	YBHH16160	BOLT HEX, 1/2 X 5-1/2 G5
19	1	YBHH16165	BOLT HEX, 1/2 X 6 G5
20	2	YBHH16180	BOLT HEX, 1/2 X 7 G5
21	1	YWFL10005	WASHER, FLAT, 5/16
22	1	YWFL16005	WASHER, FLAT, 1/2
23	2	YWLO12005	WASHER, LOCK, 3/8
24	1	YWLO16005	WASHER, LOCK, 1/2
25	4	YNHX12005	NUT HEX, 3/8
26	1	YNHX16005	NUT HEX, 1/2
27	4	YNJM16005	NUT HEX, JAM, 1/2
28	2	YNNY16005	NUT HEX, NYLON LOCKNUT, 1/2
29	2	MS26	SHORT SHANK ZERK-STRAIGHT

**FIGURE 9**  
**MOTOR MOUNT**



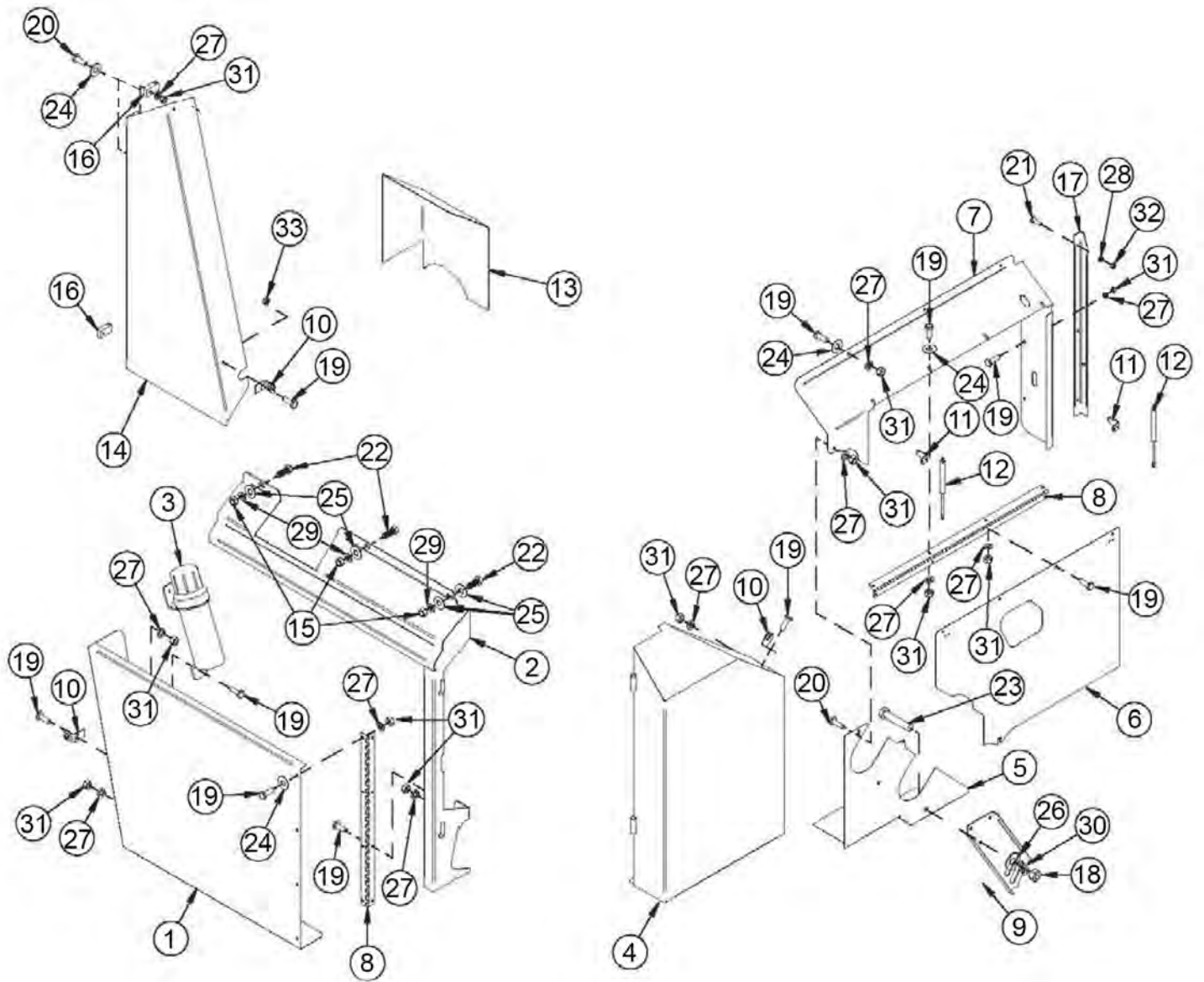


## FIGURE 9

### MOTOR MOUNT

<u>ITEM</u>	<u>QTY</u>	<u>PART#</u>	<u>DESCRIPTION</u>
1	1	16SV150	HYDRAULIC MOTOR
2	1	SD285	HYDRAULIC MOTOR
3	2	SD289	KEY W/SQ ENDS, HARDENED, 5/16 X 1-1/4
4	1	SD227	MOTOR MOUNT BRACKET
5	1	R27	SPRING
6	1	SD238	SPROCKET (60-B-30)
7	1	37N71	SPROCKET (60-B-20)
8	1	SD228	CHAIN (60 x 55 PITCHES)
9	1	D39	#60 CONNECTOR LINK
10	1	SD290	SPROCKET (60-B 16)
11	1	12N42	15 TOOTH IDLER SPROCKET
12	1	SD229	WORM CHAIN TIGHTENER
13	1	PB218	KEY, 1/4 X 1-1/2
14	1	SD230	WORM GEARBOX
15	1	SD231	SHIFTER CYLINDER MOUNT
16	1	SD233	TUBING MOUNT
17	2	SD234	CLUSTER CAP
18	1	R65	SHIELD SPACER
19	1	YBHH08100	BOLT HEX, 1/4 X 3/4 G5
20	4	YBHH10010	BOLT HEX, 5/16 X 1 G5
21	9	YBHH12010	BOLT HEX, 3/8 X 1 G5
22	2	YBHH16045	BOLT HEX, 1/2 X 1-1/4 G5
23	1	YBHH16030	BOLT HEX, 1/2 X 1-1/2 G5
24	4	YBHH16055	BOLT HEX, 1/2 X 1-3/4 G5
25	1	YBHH16105	BOLT HEX, 1/2 X 3 G5
26	1	YBTE08005	BOLT TURNED EYE, 1/4 X 1
27	3	YWFL12005	WASHER FLAT, 3/8
28	2	YWFL16005	WASHER FLAT, 1/2
29	1	YWLO08005	WASHER LOCK, 1/4
30	4	YWLO10005	WASHER LOCK, 5/16
31	9	YWLO12005	WASHER LOCK 3/8
32	8	YWLO16005	WASHER LOCK, 1/2
33	2	YNHX08005	NUT HEX, 1/4
34	4	YNHX10005	NUT HEX, 5/16
35	9	YNHX12005	NUT HEX, 3/8
36	8	YNHX16005	NUT HEX, 1/2
37	1	YNNJ16005	NUT HEX, NYLON JAM NUT, 1/2
38	1	YNTL08005	NUT HEX, TOP LOCK, 1/4
39	1	YNTL16005	NUT HEX, TOP LOCK, 1/2

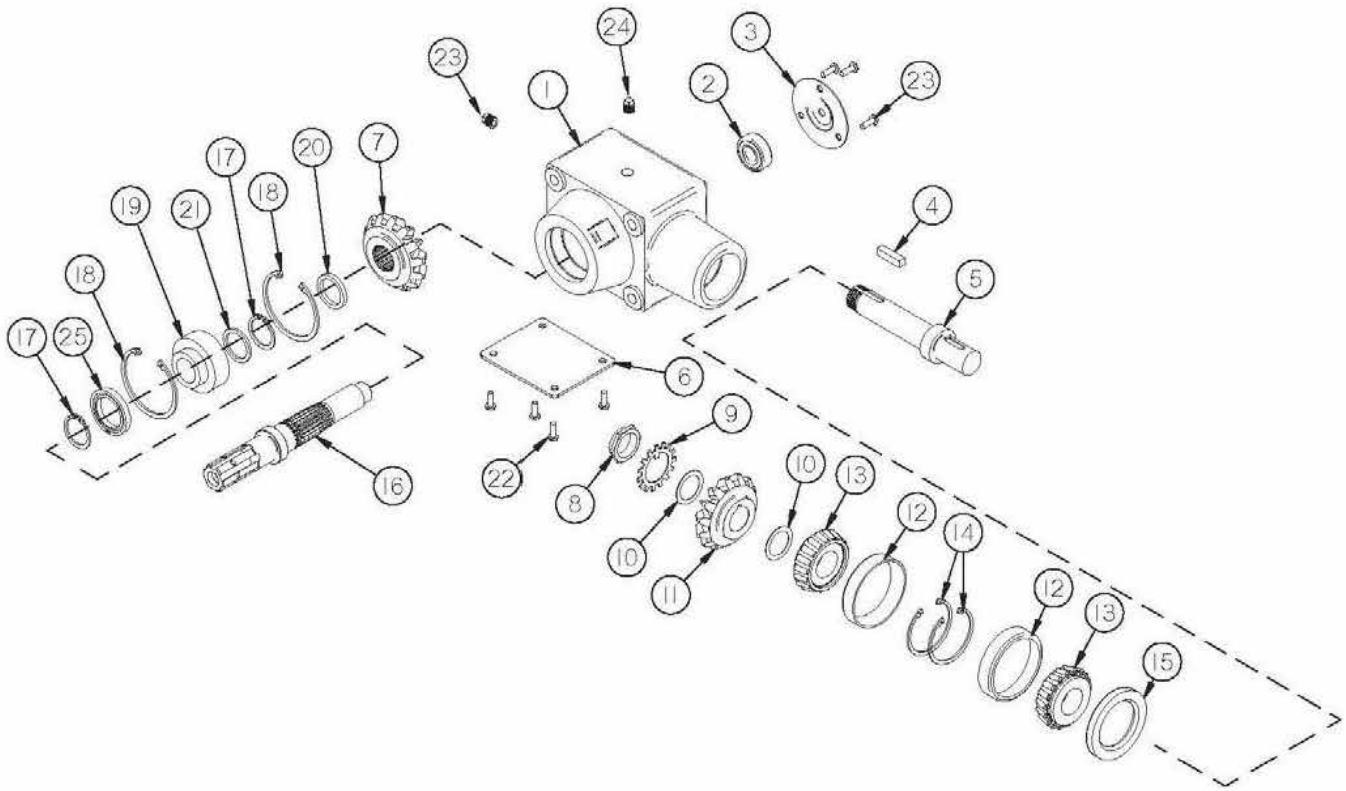
# FIGURE 10 SHIELDS



## FIGURE 10 SHIELDS

<u>ITEM</u>	<u>QTY</u>	<u>PART#</u>	<u>DESCRIPTION</u>
1	1	SD106B	MAIN SIDE SHIELD LOWER
2	1	SD161	HINGE BAR
3	1	S522	MANUAL HOLDER
4	1	SD239B	CORNER SHIELD, FRONT
5	1	SD240	SHIELD LOWER, FRONT
6	1	SD241B	SHIELD FACE, FRONT
7	1	SD242	VALVE SHIELD
8	2	SD165	CONTINUOUS HINGE
9	1	SD244	QUICK COUPLER HOLDER
10	3	X233	COMPLETE LATCH
11	2	SD189	STRUT TOP MOUNT
12	2	SD190	GAS STRUT
13	1	SD111	GEARBOX SHIELD
14	1	86806B	SIDE SHIELD TOP
15	3	YNHX12005	NUT HEX, 3/8
16	2	SD169	LIFT-OFF HINGE
17	1	SD151	PANEL BRACE, FRONT
18	2	YNHX16005	NUT HEX, 1/2
19	26	YSPN64005	SCREW PAN HEAD 10-24 X 5/8
20	3	YBHH08010	BOLT HEX, 1/4 X 1 G5
21	3	YBHH10105	BOLT HEX, 5/16 X 3/4 G5
22	3	YBHH12010	BOLT HEX, 3/8 X 1 G5
23	2	YBHH16080	BOLT HEX, 1/2 X 2-1/2 G5
24	13	YWFL08005	WASHER, FLAT, 1/4
25	4	YWFL12005	WASHER, FLAT, 3/8
26	2	YWFL16005	WASHER, FLAT, 1/2
27	29	YWLO08005	WASHER, LOCK, 1/4
28	3	YWLO10005	WASHER, LOCK, 5/16
29	3	YWLO12005	WASHER, LOCK, 3/8
30	2	YWLO16005	WASHER, LOCK, 1/2
31	29	YNHX08005	NUT HEX, 1/4
32	3	YNHX10005	NUT HEX, 5/16
33	4	YNNY64005	NUT HEX 10-24 LKNY G2

# **FIGURE 11** **BEATER GEARBOX**



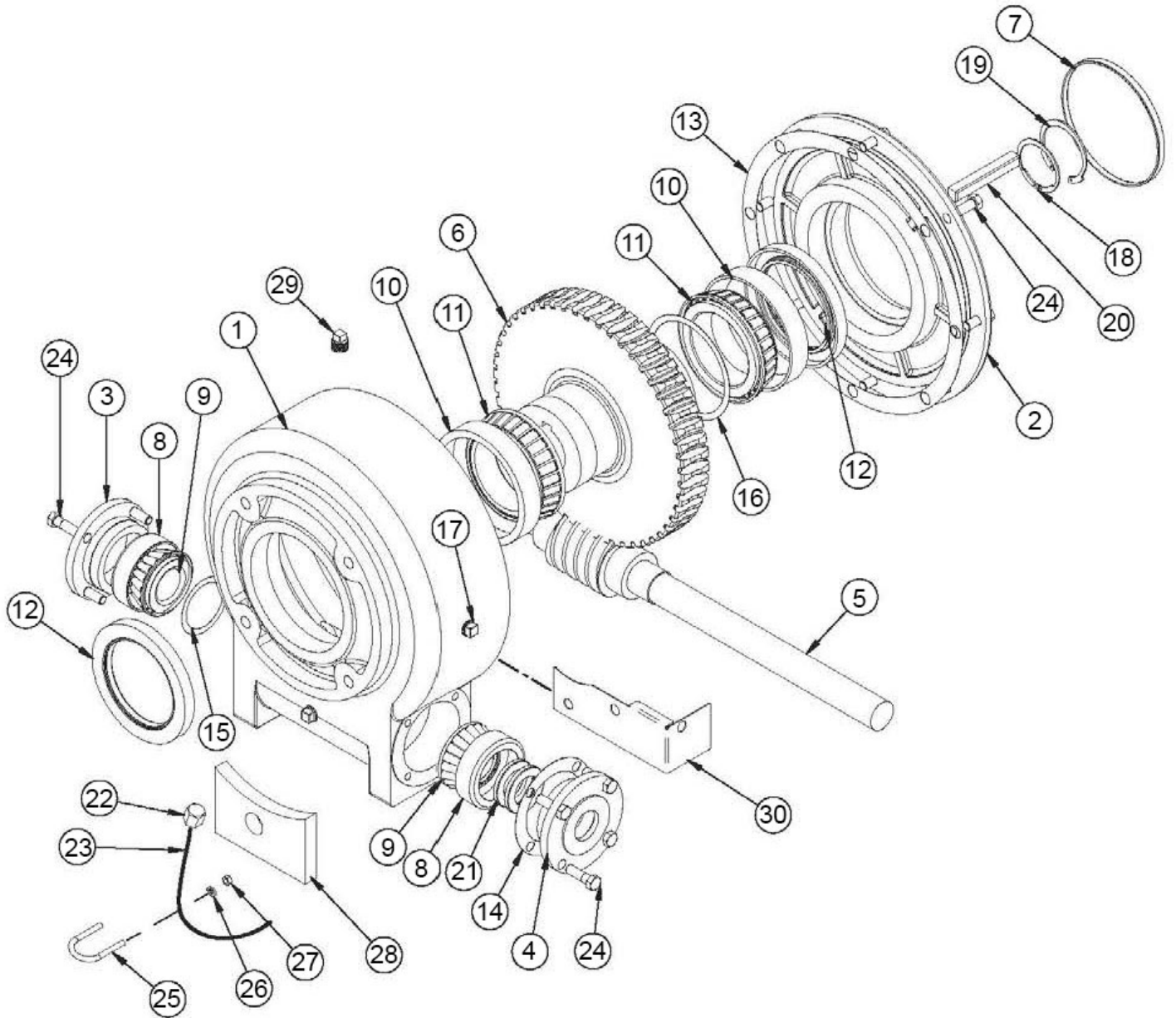
## FIGURE 11

### BEATER GEARBOX

<u>ITEM</u>	<u>QTY</u>	<u>PART#</u>	<u>DESCRIPTION</u>
1	1	SD69	GEARBOX HOUSING
2	1	GM259	BEARING (6205C3)
3	1	GM258	COVER
4	1	GM264	KEY, 5/16 X 1
5	1	SD245	INPUT SHAFT
6	1	GM257	SIDE COVER
7	1	GM267	BEVEL GEAR (SPLINED)
8	1	GM260	BEARING LOCK NUT (N-06)
9	1	GM261	BEARING LOCK WASHER (W-06)
10	2	GM262	INPUT SHIM
11	1	GM263	BEVEL GEAR (KEYED)
12	2	3G18	RACE (15245)
13	2	SD71	BEARING (15123)
14	2	SD72	RETAINING RING (N5000-244)
15	1	SD257	SEAL (471831)
16	1	SDSH30	OUTPUT SHAFT
17	2	SD85	RETAINING RING (5100-137)
18	2	G55	RETAINING RING
19	1	SD75	BEARING (207P)
20	1	SD103	GEARBOX BEARING SPACER
21	1	SD104	GEARBOX GEAR SPACER
22	7	YBHH10105	BOLT HEX, 5/16 X 3/4 G5
23	1	58498	PIPE PLUG SH, 1/2
24	1	3G20	PLASTIC VENT PLUG
25	1	8595	SEAL
*	1	SD237	GEARBOX

\* NOT SHOWN

# **FIGURE 12** **WORM GEARBOX**



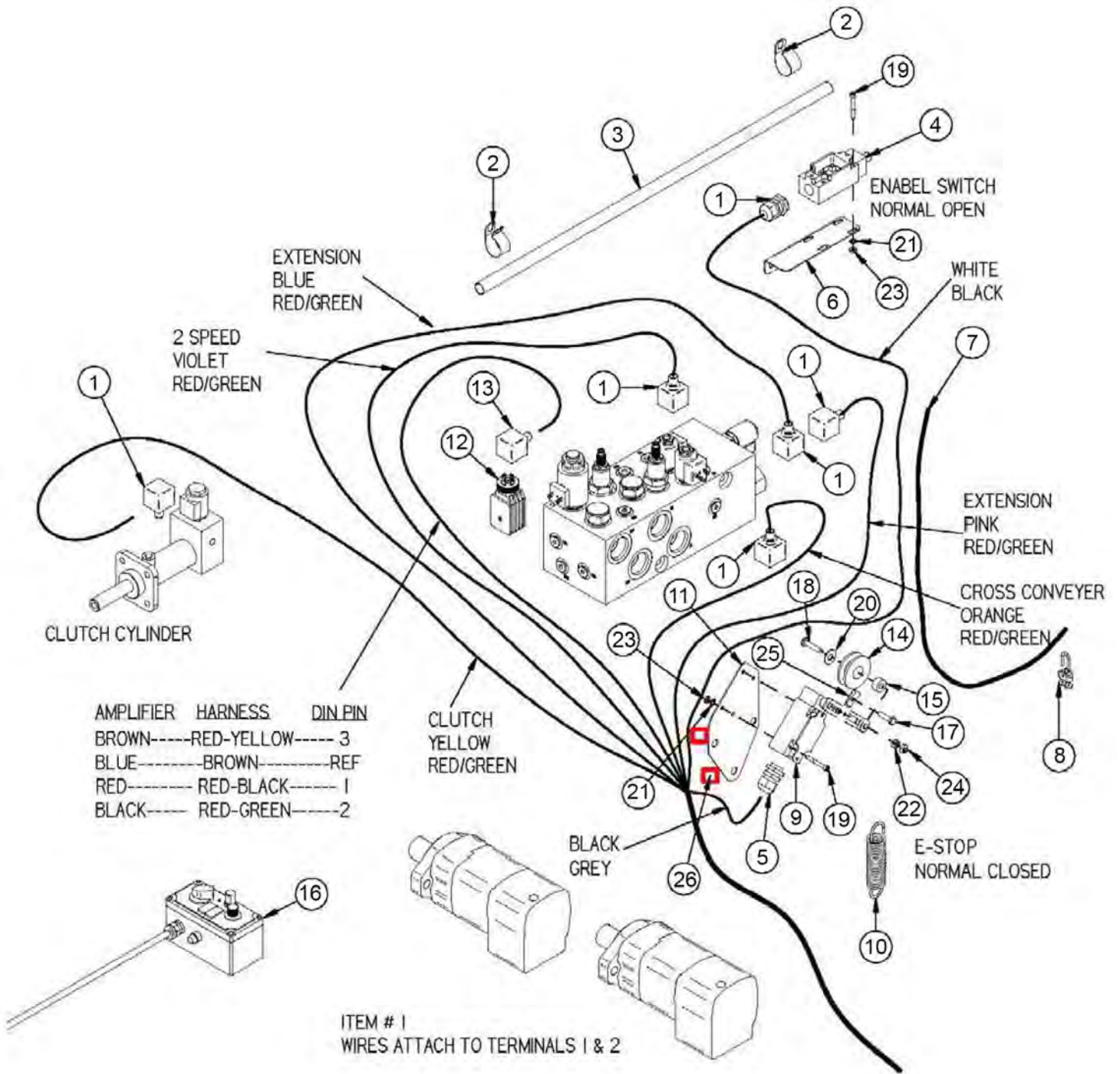
## FIGURE 12

### WORM GEARBOX

<u>ITEM</u>	<u>QTY</u>	<u>PART#</u>	<u>DESCRIPTION</u>
1	1	SD116	HOUSING
2	1	SD117	OUTPUT COVER
3	1	SD118	ENDCAP, SOLID
4	1	SD119	ENDCAP, THRU
5	1	SD246	INPUT WORM SHAFT
6	1	SD121	GEAR WHEEL
7	1	SD122	CAP
8	1	SD123	RACE
9	1	SD124	BEARING
10	2	SD125	RACE
11	1	SD126	BEARING
12	1	SD127	SEAL, OUTPUT
13	1	SD128	GASKET, COVER
14	1	SD129	GASKET, INPUT
15	1	SD130	INPUT SHIM
16	1	SD131	OUTPUT SHIM
17	2	58498	HEX PLUG
18	1	SD135	RETAINING RING (5108-200)
19	1	SD136	RETAINING RING (5008-250)
20	1	SD137	SQUARE KEY, 1/2 X 3-1/2
21	1	SD138	SEAL, INPUT
22	1	SD139	CAP (5406-C-8)
23	1	SD258	FILLER HOSE, 10-1/2
24	16	YBHH12010	BOLT HEX, 3/8 X 1 G5
25	1	YBPU08003	BOLT U, PIPE, 1/ X 1/2
26	2	YWLO08005	WASHER, LOCK, 1/4
27	2	YNHX08005	NUT HEX, 1/4
28	1	56966	WORM BOX SHIELD
29	1	SD134	VENT
*	1	SD230	GEARBOX
30	1	SD316	WORM BOX SHIELD
	1		

\* NOT SHOWN

# FIGURE 13 UNIT HARNESS ROUTING





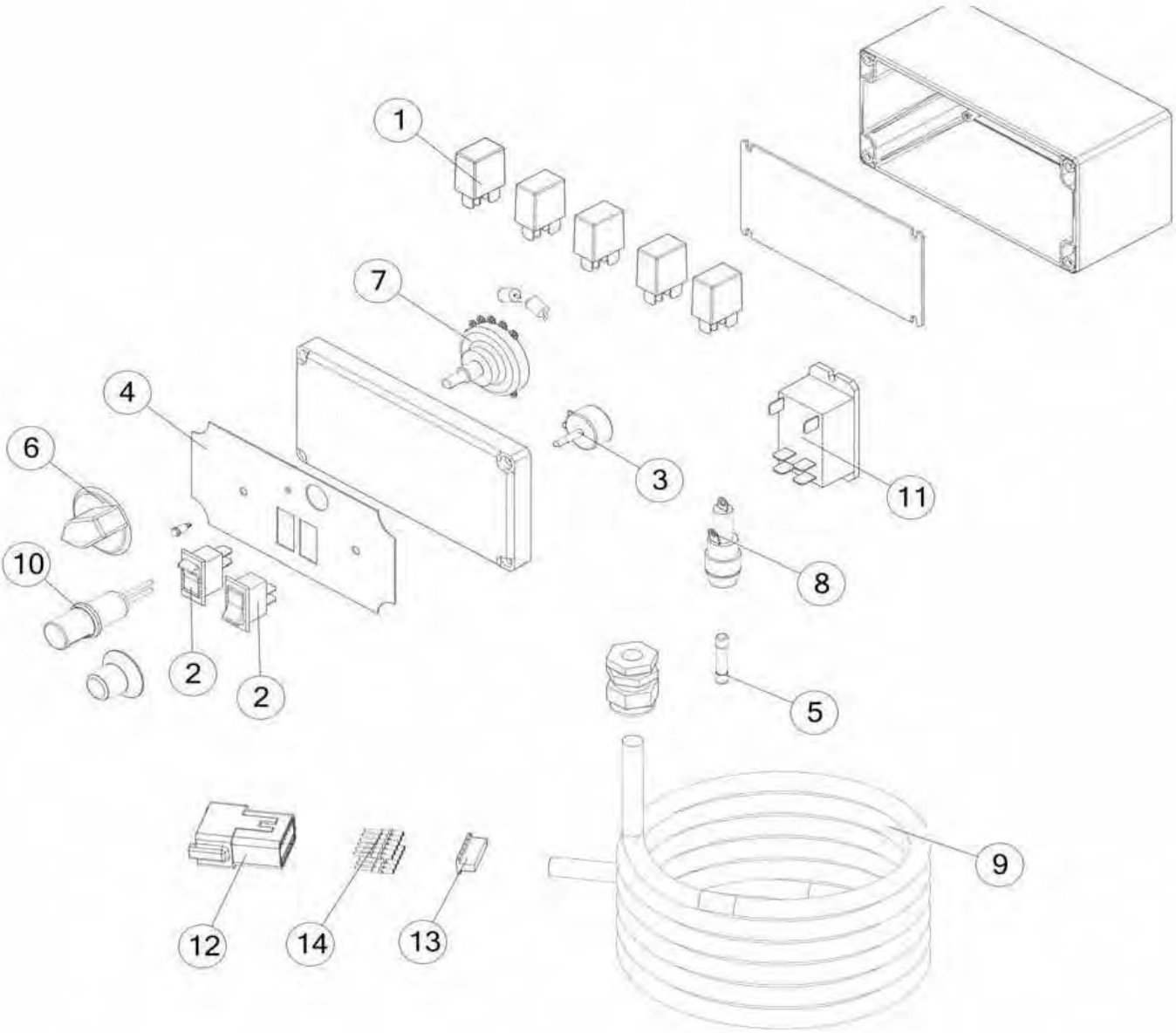
## FIGURE 13

### UNIT HARNESS ROUTING

<u>ITEM</u>	<u>QTY</u>	<u>PART#</u>	<u>DESCRIPTION</u>
1	5	LW285	DIN CONNECTOR
2	2	HGV72	WIRE CLAMP #12
3	1	SD251	WIRE SHIELD
4	1	SD252	MICRO-SWITCH (GLAA01C)
5	2	GD23	STRAIN-RELIEF
*	2	56120	STRAIN RELIEF LOCK NUT, 1/2
6	1	SD250	MICRO-SWITCH MOUNT
7	1	SD253	SAFETY CABLE
8	1	BFR220	CABLE CLAMP
9	1	57244	MICRO SWITCH W / SAFETY ARM
10	1	LW111	SPRING
11	1	SD255	SAFETY LIMIT SWITCH MOUNT
12	1	SD293	FLOW CONTROL AMPLIFIER
13	1	SD294	DIN CONNECTOR
14	1	BFR292	POLY PULLEY SMALL HOLE
15	1	ST81	EXTENSION SPACER
16	1	SD321	SDC CONTROL BOX
17	1	YBHH08010	BOLT HEX, 1/4 X 1 G5
18	1	YBHH08025	BOLT HEX, 1/4 X 1-1/2 G5
19	8	YSHS64008	SCREW SOCKET HEAD CAP, #10-32 X 1-1/2 BLACK OXIDE
20	1	YWFL10005	WASHER, FLAT, 5/16
21	8	YWSI64005	WASHER, LOCK, STAR, INTERNAL/EXTERNAL, #10
22	1	YNHX08005	NUT HEX, 1/4 G5
23	8	YNHX64005	NUT HEX, MACHINE, #10-32
24	1	YNTL08005	NUT HEX, TOP LOCK, 1/4
25	1	YNUN08005	EXTRUDED U NUT, 1/4 BLACK
26	3	K94	SPACER CHAIN TIGHTENER

\* NOT SHOWN

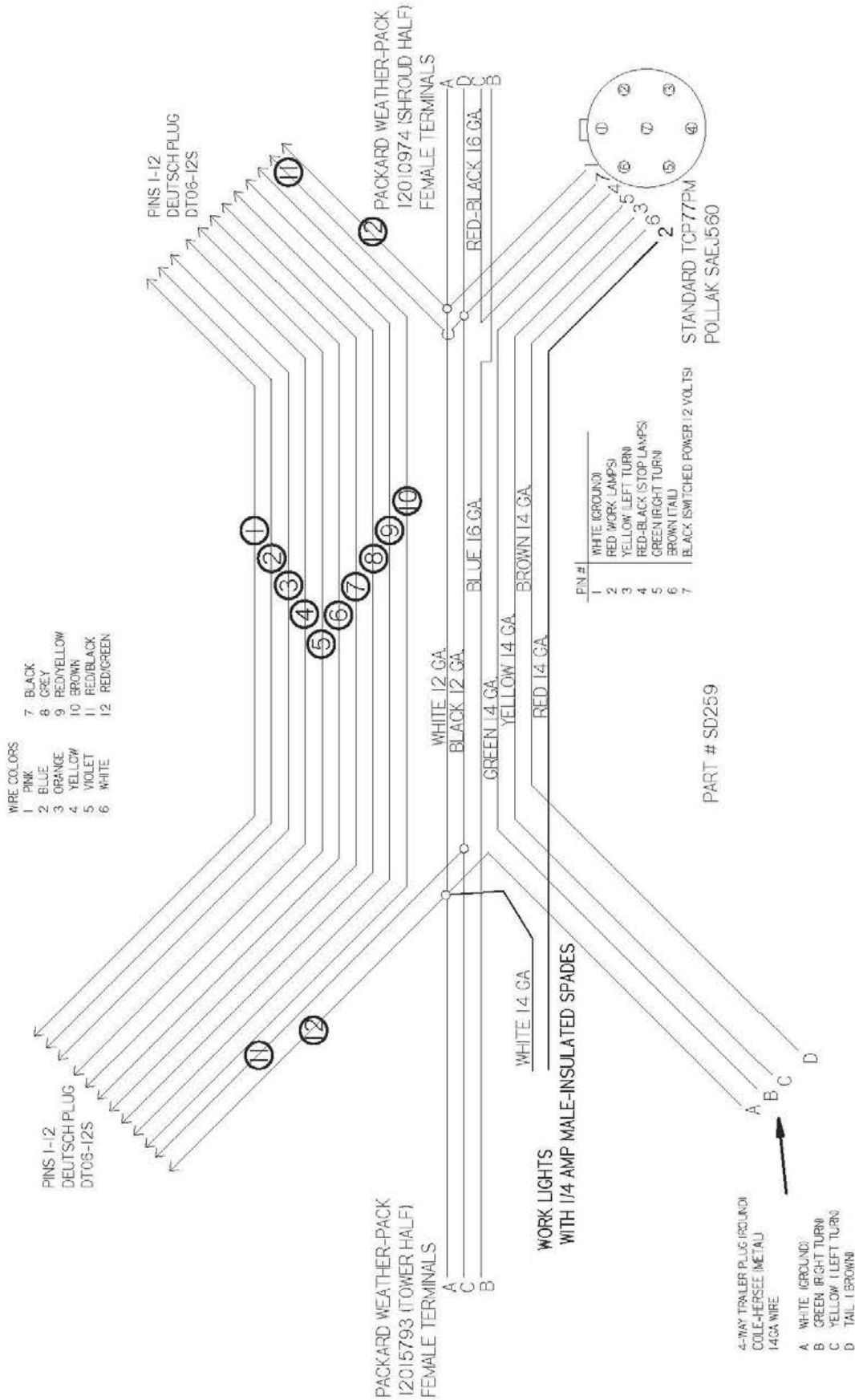
**FIGURE 14**  
**CONTROL BOX**



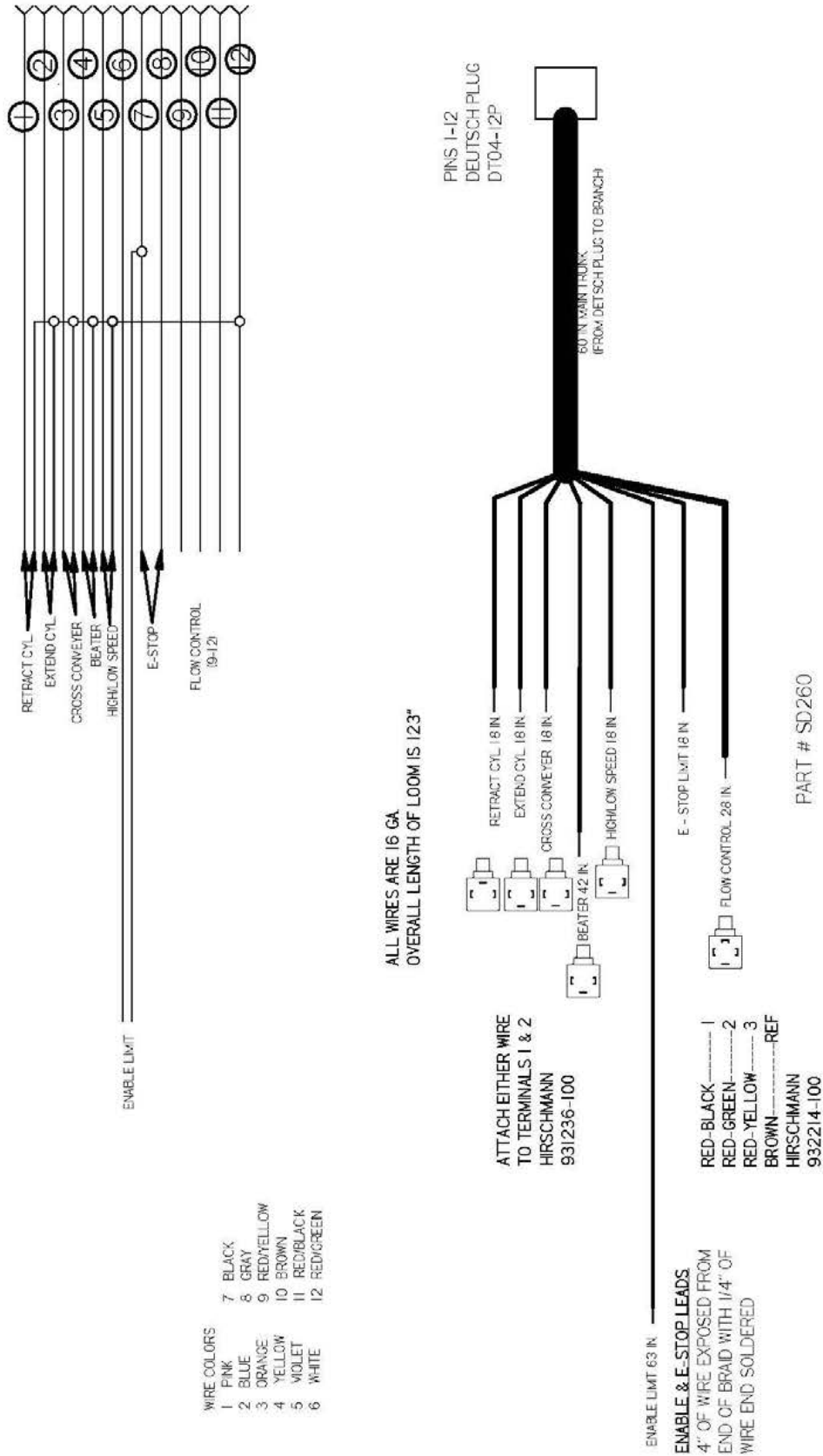
## **FIGURE 14** **CONTROL BOX**

<b><u>ITEM</u></b>	<b><u>QTY</u></b>	<b><u>PART#</u></b>	<b><u>DESCRIPTION</u></b>
1	5	59189	RELAY SPDT
2	2	59191	ROCKER SWITCH
3	1	59192	POTENTIOMETER 10K
4	1	59193	NAMEPLATE
5	1	59194	FUSE 12 AMP.
6	1	59198	SWITCH KNOB
7	1	59200	6 POSITION SELECTOR
8	1	59202	FUSE HOLDER
9	1	59203	18 GA. 12 CONDUCTOR
10	1	59205	INSTRUMENT LIGHT HOLDER
11	1	59207	RELAY DPDT
12	1	SE4153	12 PIN RECEPTACLE HOUSING
13	1	SE4154	LOCKING WEDGE FOR 12 PIN RECEPTACLE
14	12	SE215	DEUTSCH PIN, SOLID CRIMP TYPE, #14-16 AWG

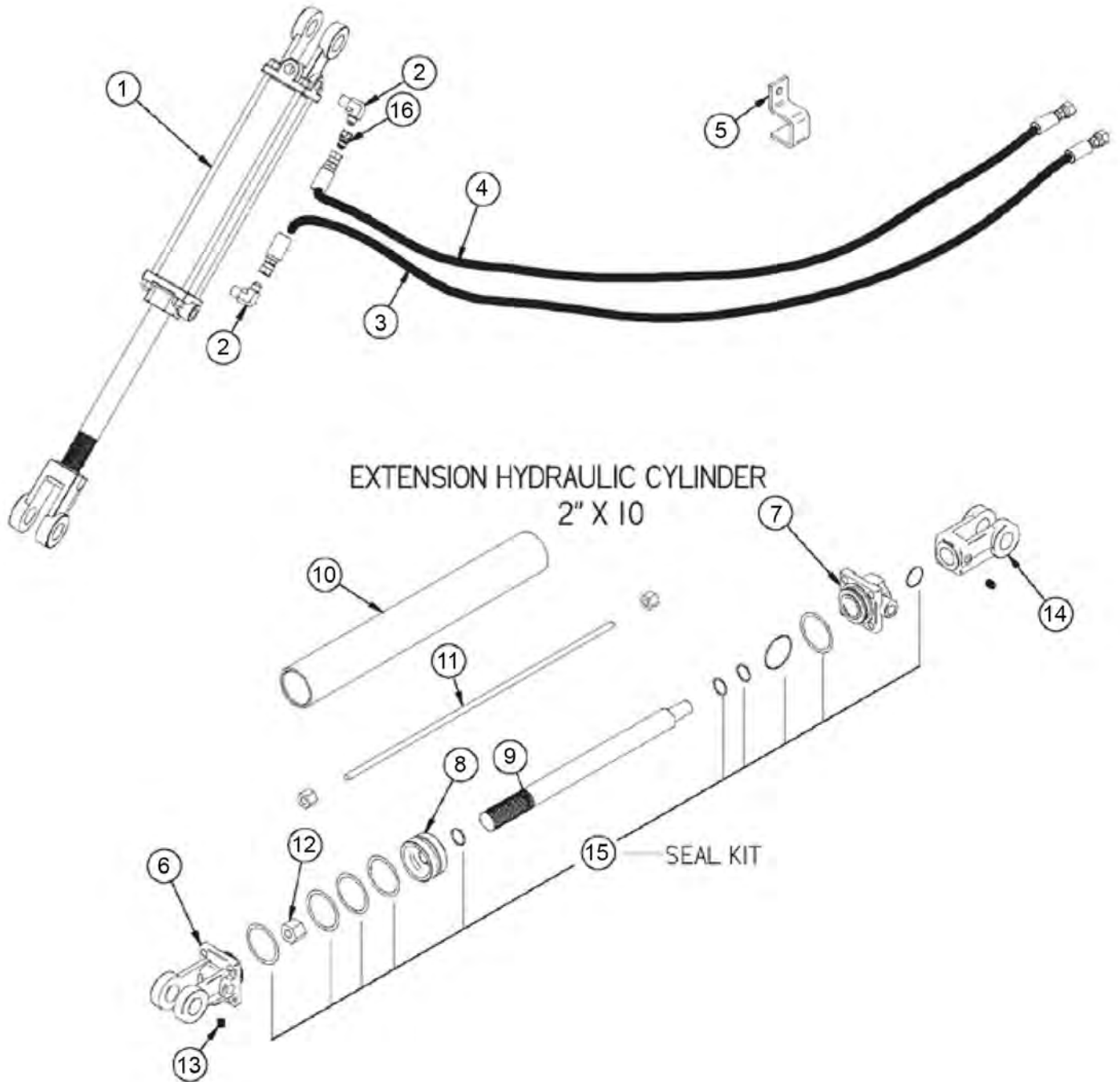
# FIGURE 15 MAIN WIRING HARNESS



# FIGURE 16 UNIT HARNESS



# **FIGURE 17** **EXTENSION HYDRAULICS**



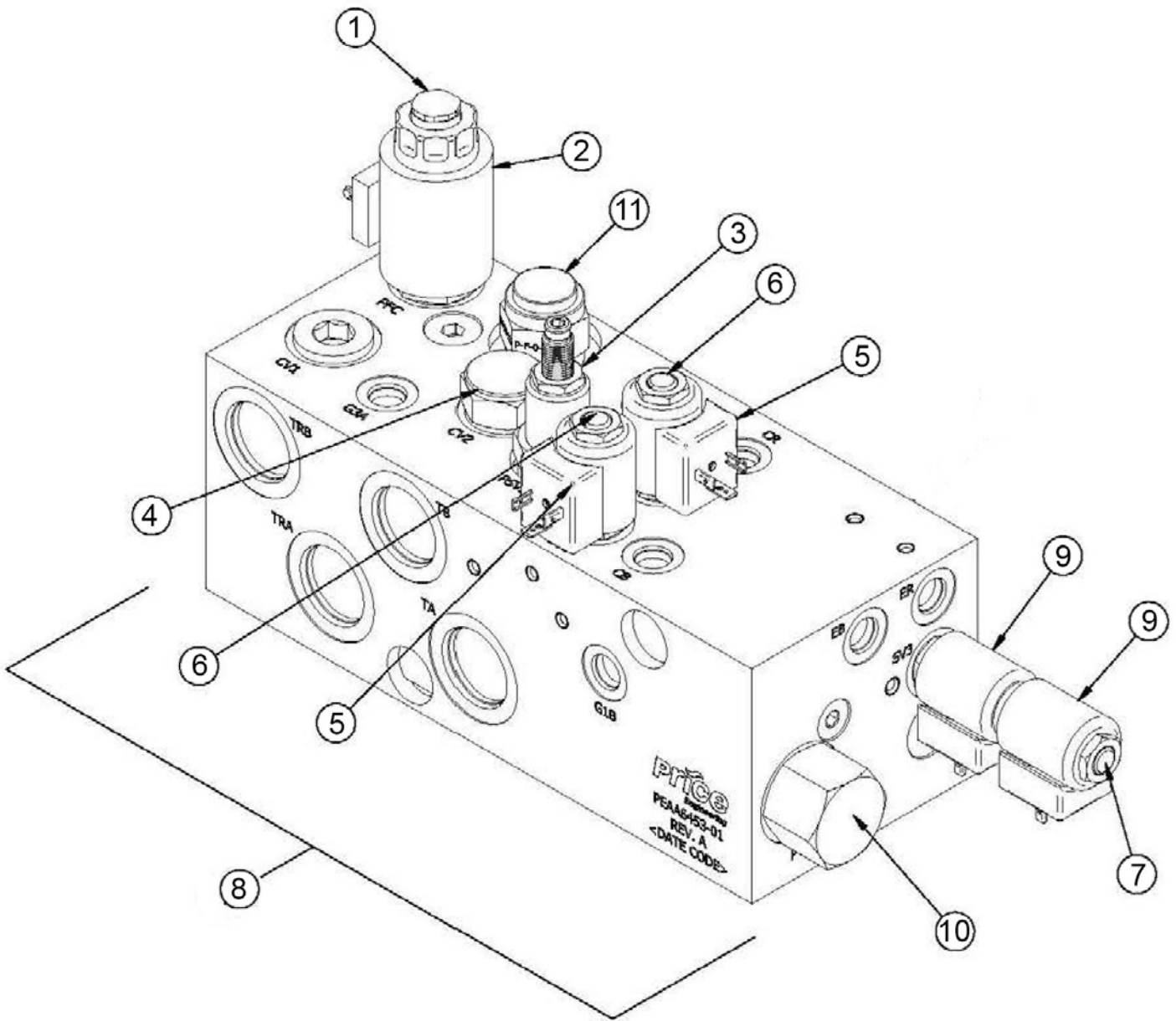
## FIGURE 17

### EXTENSION HYDRAULICS

<u>ITEM</u>	<u>QTY</u>	<u>PART#</u>	<u>DESCRIPTION</u>
1	1	16SV171	CYLINDER, 2 x 10
*	1	56000	HYDRAULIC CYLINDER, 2 X 10
2	2	CHM164	MALE CONNECTOR (6-6 CTX)
3	1	SD271	HYDRAULIC HOSE 3/8 X 133
4	1	SD272	HYDRAULIC HOSE 3/8 X 116
5	4	HE14	HOSE CLAMP
6	1	23N142	CLEVIS CAP
*	1	56174	ROD CAP FOR 2 IN CYLINDER
7	1	23N143	ROD CAP
8	1	23N144	PISTON
*	1	56180	PISTON FOR 2 IN CYLINDER
9	1	16SV168	PISTON NUT
10	1	16SV169	TUBE
11	4	16SV170	TIE ROD
12	1	23N148	PISTON NUT
13	2	23N149	PLUG
14	1	23N150	ROD CLEVIS
15	1	23N151	SEAL KIT
*	1	56187	SEAL KIT FOR 2 IN CYLINDER
16	1	58144	FITTING

\* NOT SHOWN

**FIGURE 18**  
**MANIFOLD**





## **FIGURE 18** **MANIFOLD**

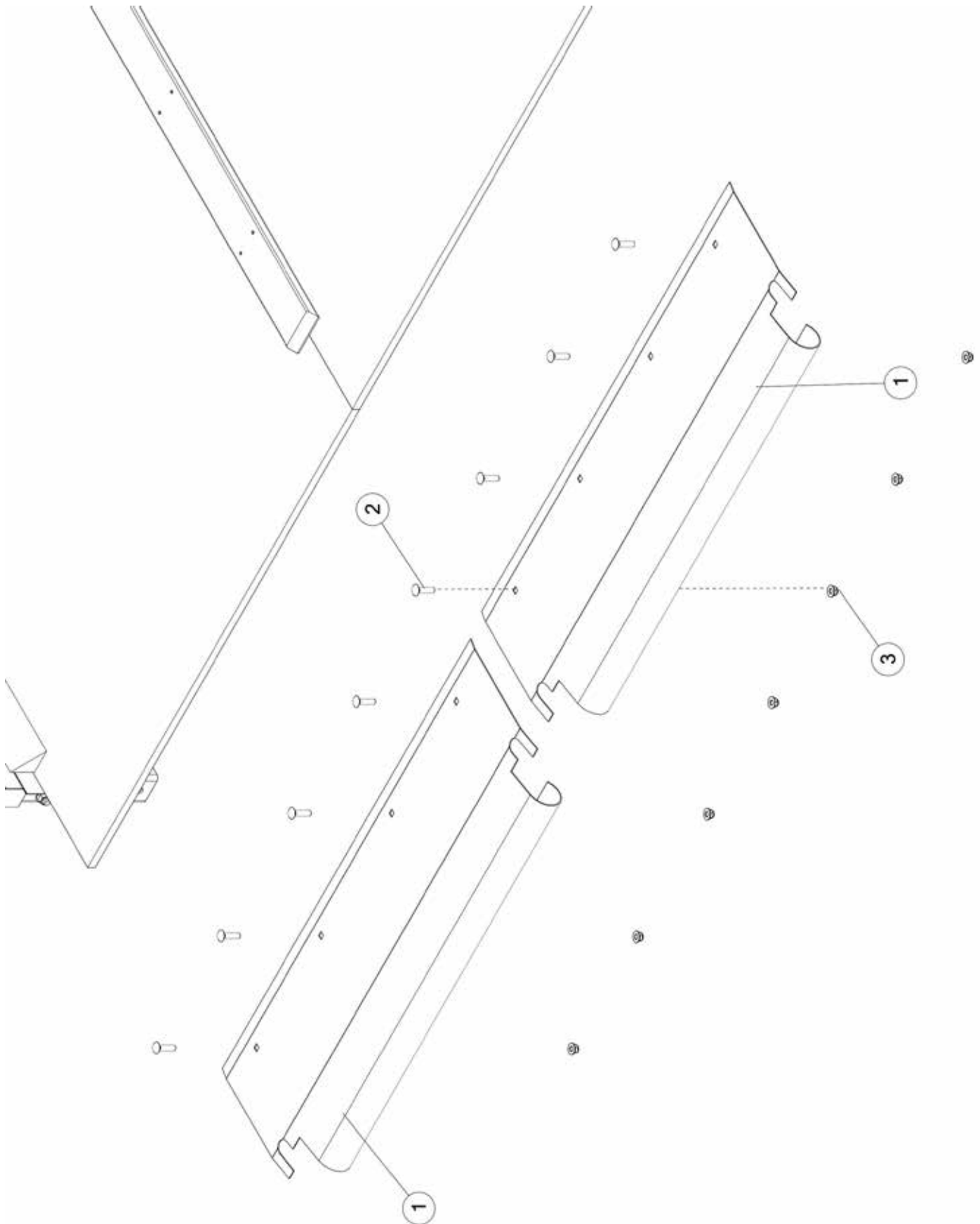
<b><u>ITEM</u></b>	<b><u>QTY</u></b>	<b><u>PART#</u></b>	<b><u>DESCRIPTION</u></b>
1	1	SD295	PROPORTIONAL FLOW CONTROL
2	1	SD296	SOLENOID COIL FLOW CONTROL
3	1	SD297	SEQUENCE VALVE
4	2	SD298	CHECK VALVE
5	2	SD299	SOLENOID COIL
6	2	SD300	SOLENOID VALVE
7	1	SD301	SOLENOID VALVE
8	1	SD307	MANIFOLD
9	2	SD303	SOLENOID COIL
10	1	SD304	PILOT
11	1	56636	VALVE, DIFFERENTIAL PRESSURE

23/25/27  
7200 SERIES  
FORAGE BOX

# **CONTENTS**

Figure 1 - Front Drive Shaft Panel . . . . .	42-43
Figure 2 - Side Stakes . . . . .	44-45
Figure 3 - Side Metal & Top Filler Panels RH . . . . .	46-47
Figure 4 - Side Metal & Top Filler Panels LH . . . . .	48-49
Figure 5 - 23 FT Floor & Components. . . . .	50-51
Figure 5 - 25 FT Floor & Components . . . . .	52-53
Figure 5 - 27 FT Floor & Components . . . . .	54-55
Figure 6 - Apron Chain & Components . . . . .	56-57
Figure 7 - Rear Drive Shaft & Components . . . . .	58-59
Figure 8 - Idler Shaft & Components . . . . .	60-61
Figure 9 - Rear Drive Sprockets & Components . . . . .	62-63
Figure 10 - Back Door Gate Delay & Components . . . . .	64-65
Figure 11 - Safety Cable & Components . . . . .	66-67
Figure 12 - 23 FT Hydraulics . . . . .	68-69
Figure 12 - 25 FT Hydraulics . . . . .	70-71
Figure 12 - 27 FT Hydraulics . . . . .	72-73
Figure 13 - Lights . . . . .	74-75
Figure 14 - 23 & 25 FT Optional Roof Hood . . . . .	76-77
Figure 14 - 27 FT Optional Roof Hood . . . . .	78-79
Figure 15 - Tie Down Kit . . . . .	80-81
Figure 16 - Conversion Kit . . . . .	82-83

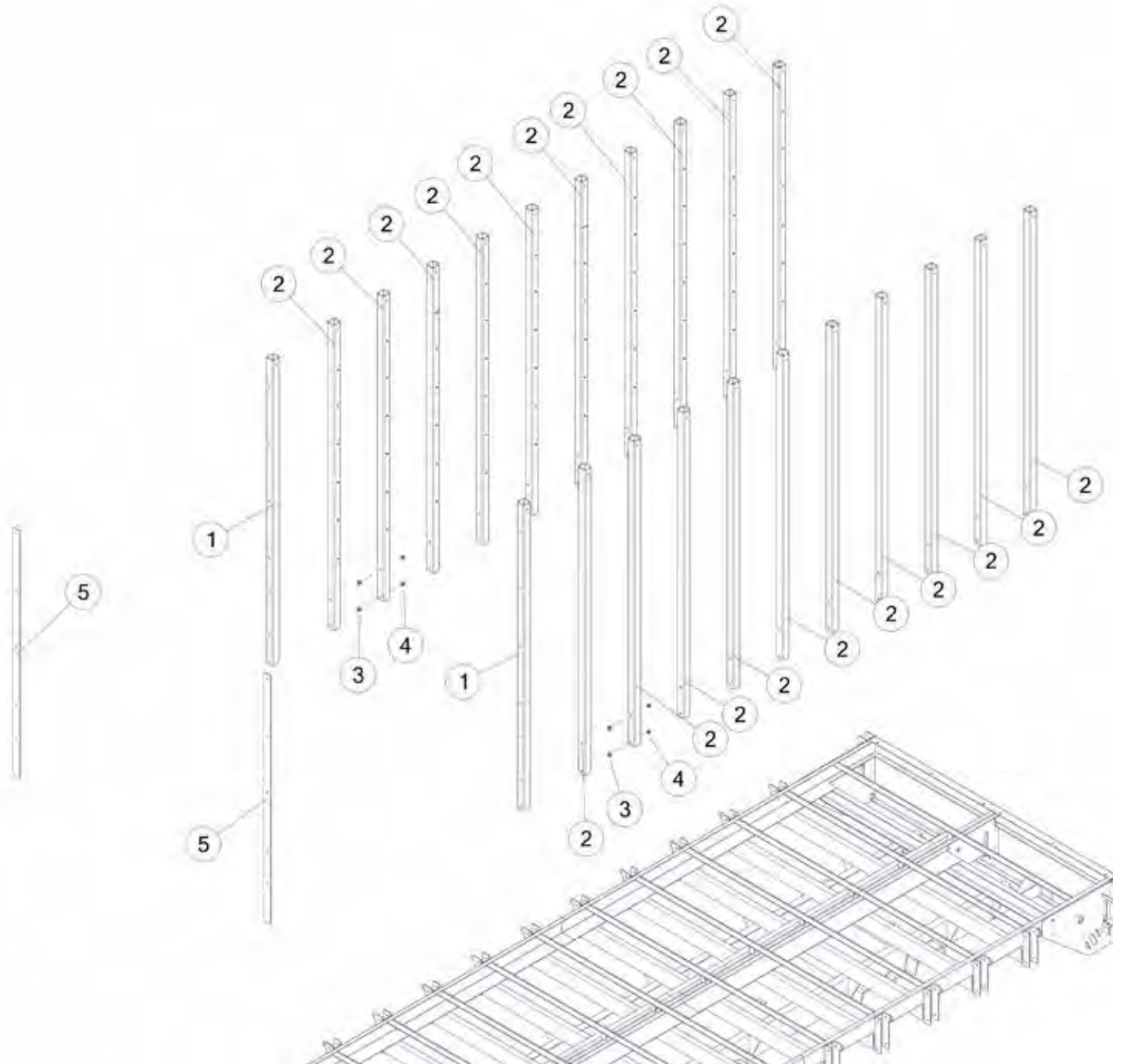
**FIGURE 1**  
**FRONT DRIVE SHAFT PANEL**



**FIGURE 1**  
**FRONT DRIVE SHAFT PANEL**

<u>ITEM</u>	<u>QTY 23'</u>	<u>QTY 25'</u>	<u>QTY 27'</u>	<u>PART#</u>	<u>DESCRIPTION</u>
1	2	2	2	72996	SHAFT GUARD
2	8	8	8	YBCR12015	BOLT CARRIAGE, 3/8 X 1-1/2 G5
3	8	8	8	YNFG12006	NUT FLANGE, 3/8

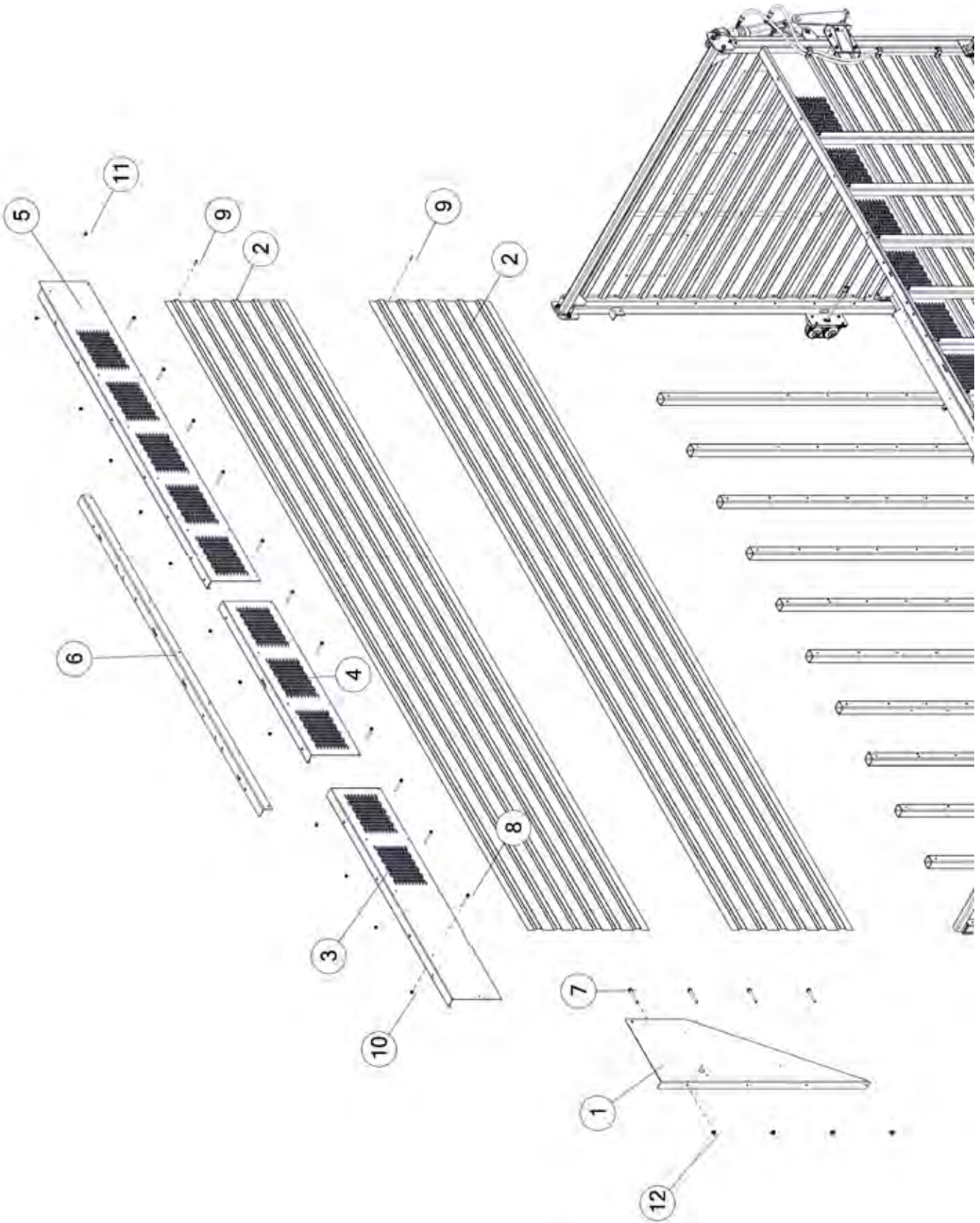
# **FIGURE 2** **SIDE STAKES**



## FIGURE 2 SIDE STAKES

<u>ITEM</u>	<u>QTY 23'</u>	<u>QTY 25'</u>	<u>QTY 27'</u>	<u>PART#</u>	<u>DESCRIPTION</u>
1	2	2	2	86407	FRONT STAKE
2	26	26	30	IFB124	SIDE STAKE
3	52	52	60	YBFB16400	BOLT FLANGE, 1/2 X 4 G5
4	52	52	60	YNFG16003	NUT FLANGE, 1/2
5	2	2	2	86654	UNIT SP CER

**FIGURE 3**  
**TOP FILLER PANELS RH**





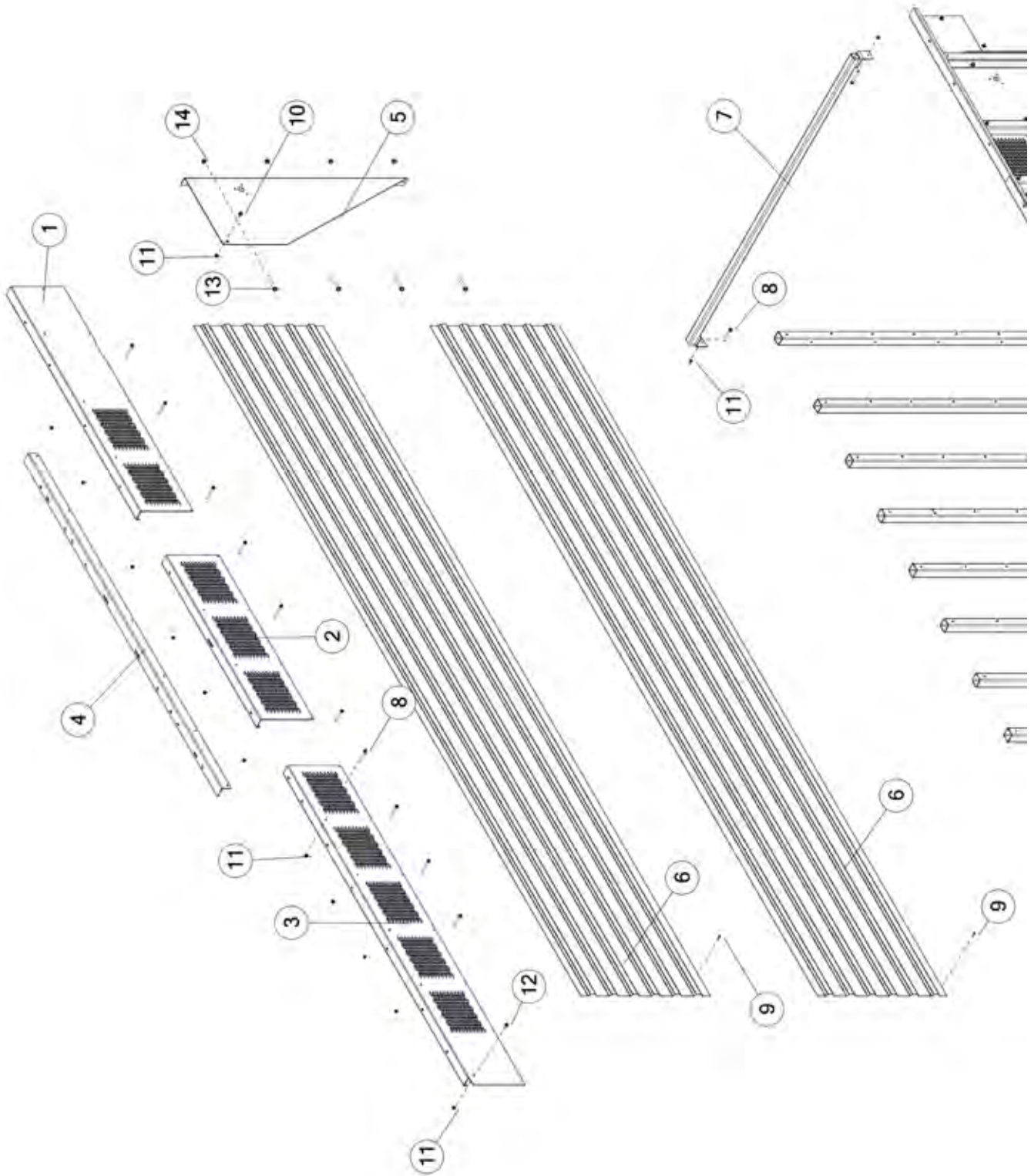
**FIGURE 3**  
**TOP FILLER PANELS RH**

<u>ITEM</u>	<u>QTY 23'</u>	<u>QTY 25'</u>	<u>QTY 27'</u>	<u>PART#</u>	<u>DESCRIPTION</u>
1	1	1	-	86695	4TH BEATER FILLER PANEL RH
1	-	-	1	86521	4TH BEATER FILLER PANEL RH
2	2	-	-	86742	SIDE PANEL, 23 FT BOX
2	-	2	-	86895	SIDE PANEL, 25 FT BOX
2	-	-	2	86910	SIDE PANEL, 27 FT BOX
3	1	1	-	86693	FRONT TOP RAIL RH
3	-	-	1	86502	FRONT TOP RAIL RH
4	2	1	1	86503	TOP RAIL CENTER, 54
*	-	1	1	86899	TOP RAIL CENTER, 72
5	1	1	1	86498	REAR TOP RAIL, RH
6	1	1	1	86630	TOP RAIL SPLICE
7	4	4	4	YBFB16400	BOLT FLANGE, 1/2 X 4 G5
8	14	16	16	YBFB12350	BOLT FLANGE, 3/8 X 3-1/2 G5
9	105	112	119	YSDR66008	SCREW, HEX WASHER HEAD, 1-1/4
10	14	16	16	YNFG12006	NUT FLANGE, 3/8
11	1	1	1	YBFB12003	BOLT FLANGE, 3/8 X 1 G5
12	4	4	4	YNFG16003	NUT FLANGE, 1/2

\* NOT SHOWN

- NOT USED ON THIS MODEL

**FIGURE 4**  
**TOP FILLER PANELS LH**



## FIGURE 4

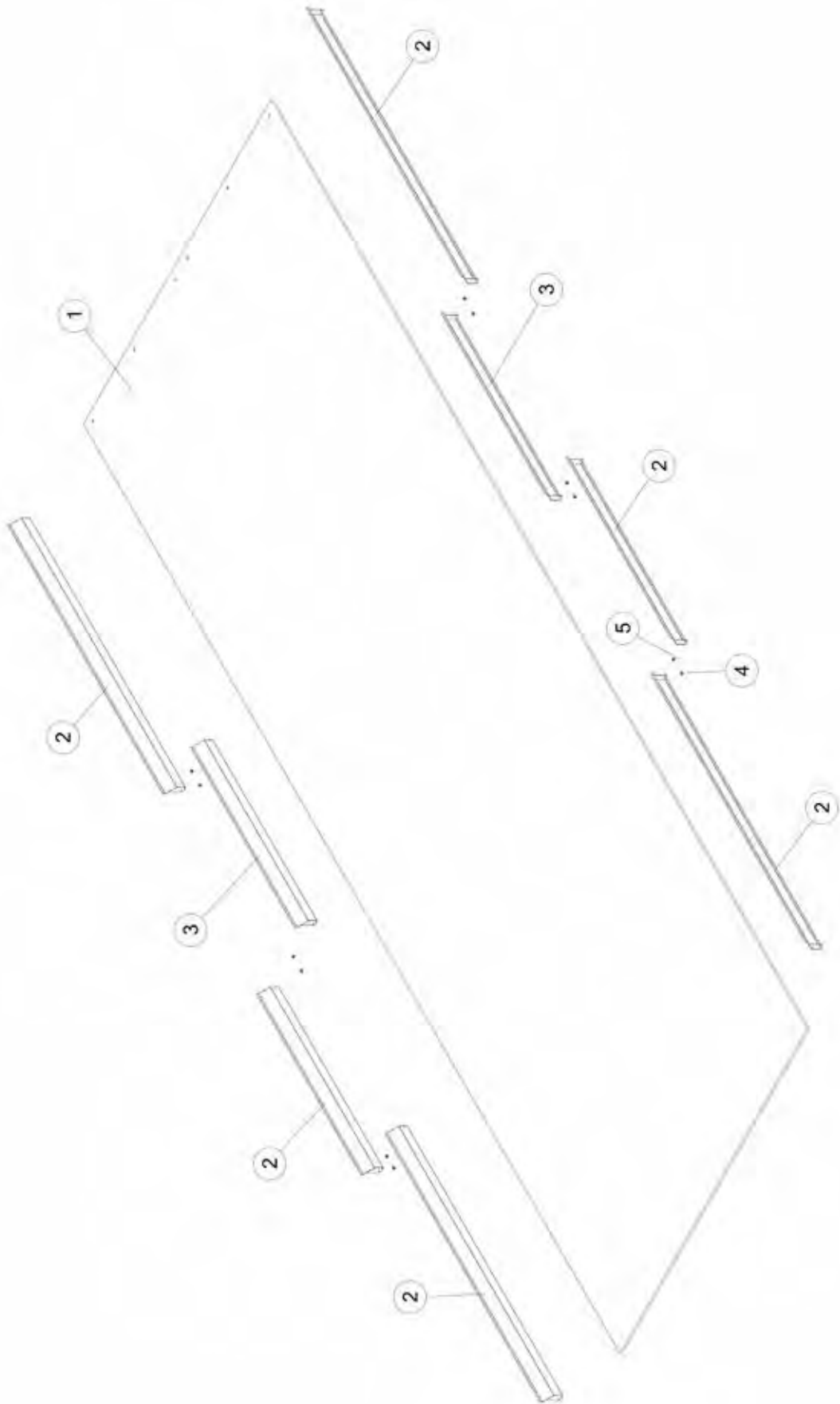
### TOP FILLER PANELS LH

<u>ITEM</u>	<u>QTY 23'</u>	<u>QTY 25'</u>	<u>QTY 27'</u>	<u>PART#</u>	<u>DESCRIPTION</u>
1	1	1	1	86694	FRONT TOP RAIL LH
2	2	1	1	86503	TOP RAIL CENTER, 54
*	-	1	1	86899	TOP RAIL CENTER, 72
3	1	1	1	86513	REAR TOP RAIL LH
4	1	1	1	86630	TOP RAIL SPLICE
5	1	1	-	86696	4TH BEATER FILLER PANEL LH
5	-	-	1	86522	4TH BEATER FILLER PANEL LH
6	2	2		86742	SIDE PANEL, 23 FT BOX
6	-	-	2	86910	SIDE PANEL, 27 FT BOX
7	1	1	1	86520	FRONT CROSS BRACE
8	16	18	18	YBFB12350	BOLT FLANGE, 3/8 X 3-1/2 G5
9	105	112	119	YSDR66008	SCREW, HEX WASHER HEAD, 1-1/4
10	1	1	1	YBFB12075	BOLT FLANGE, 3/8 X 3/4 G5
11	18	18	18	YNFG12006	NUT FLANGE, 3/8
12	1	1	1	YBFB12003	BOLT FLANGE, 3/8 X 1 G5
13	4	4	4	YBFB16400	BOLT FLANGE, 1/2 X 4 G5
14	4	4	4	YNFG16003	NUT FLANGE, 1/2

\* NOT SHOWN

- NOT USED ON THIS MODEL

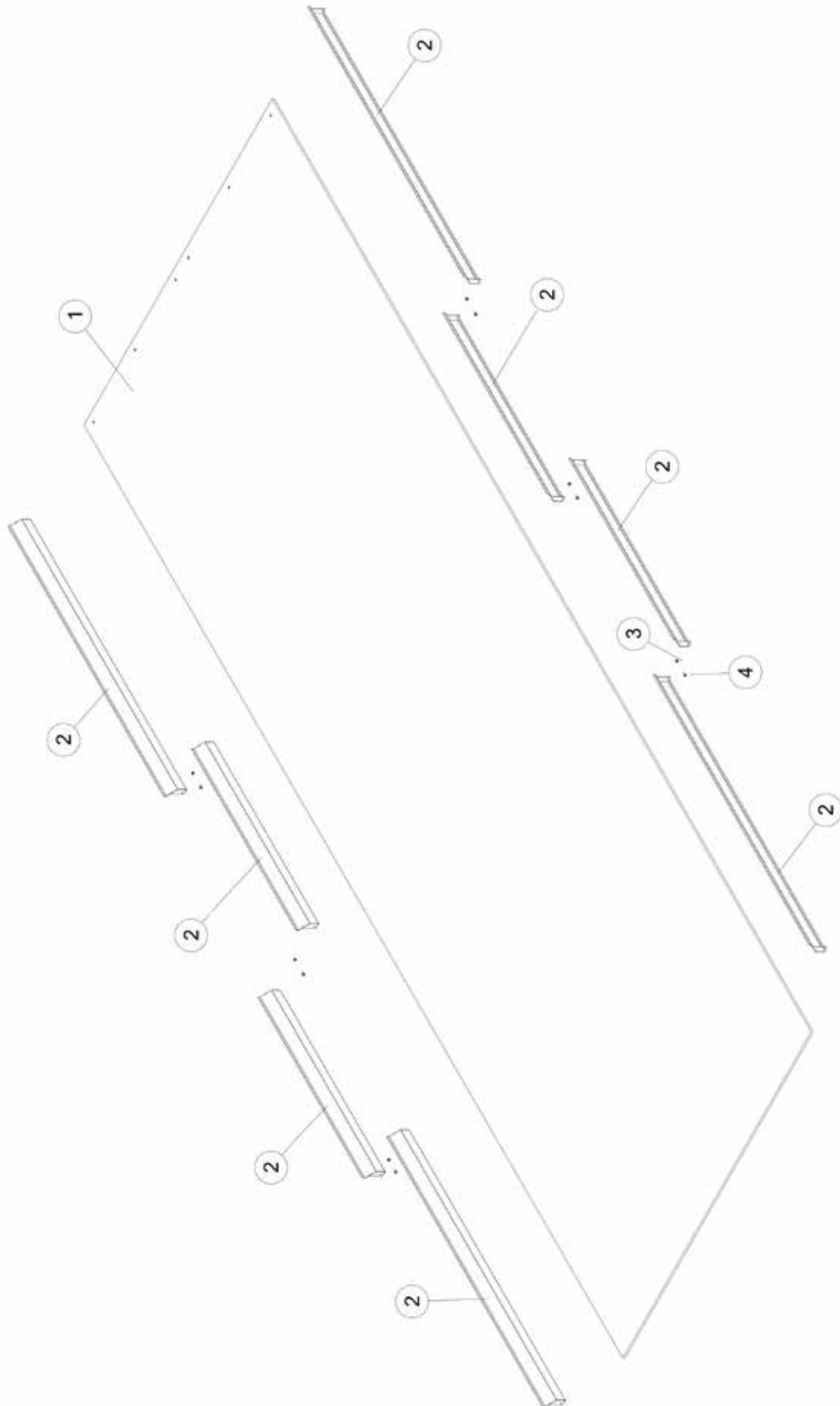
**FIGURE 5**  
**23 FT FLOOR & COMPONENTS**



**FIGURE 5**  
**23 FT FLOOR & COMPONENTS**

<b><u>ITEM</u></b>	<b><u>QTY 23'</u></b>	<b><u>PART#</u></b>	<b><u>DESCRIPTION</u></b>
1	1	86743	POLY FLOOR PANEL
2	6	83488	INSIDE SLANT
3	2	83529	INSIDE SLANT
4	6	YBFB08005	BOLT FLANGE, 1/4 X 1/2 G5
5	6	YNFG08010	NUT FLANGE, 1/4

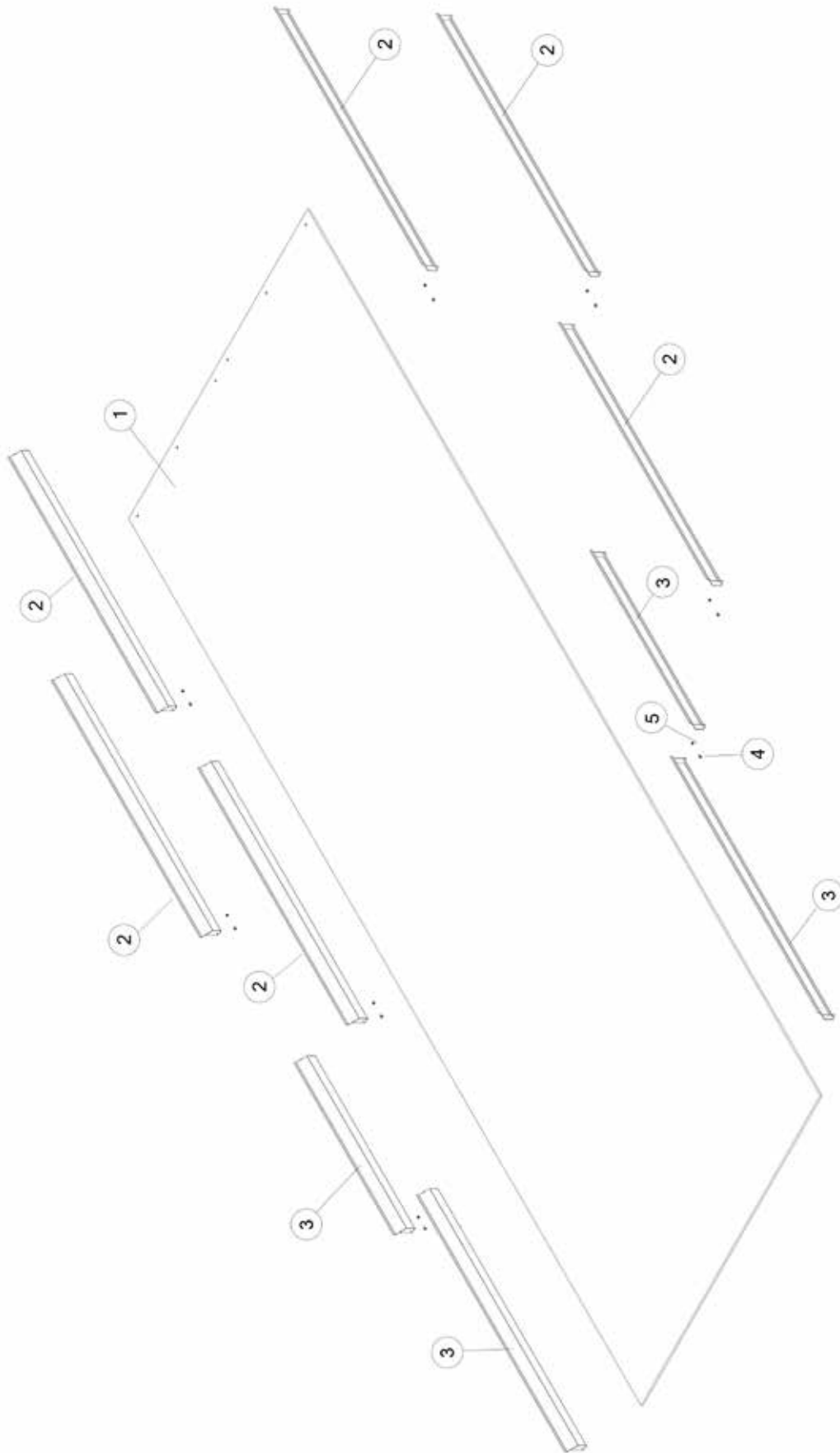
**FIGURE 5**  
**25 FT FLOOR & COMPONENTS**



**FIGURE 5**  
**25 FT FLOOR & COMPONENTS**

<b><u>ITEM</u></b>	<b><u>QTY 25'</u></b>	<b><u>PART#</u></b>	<b><u>DESCRIPTION</u></b>
1	1	86896	POLY FLOOR PANEL
2	8	83488	INSIDE SLANT
3	6	YNFG08010	NUT FLANGE, 1/4
4	6	YBFB08005	BOLT FLANGE, 1/4 X 1/2 G5

# **FIGURE 5** **27 FT FLOOR & COMPONENTS**

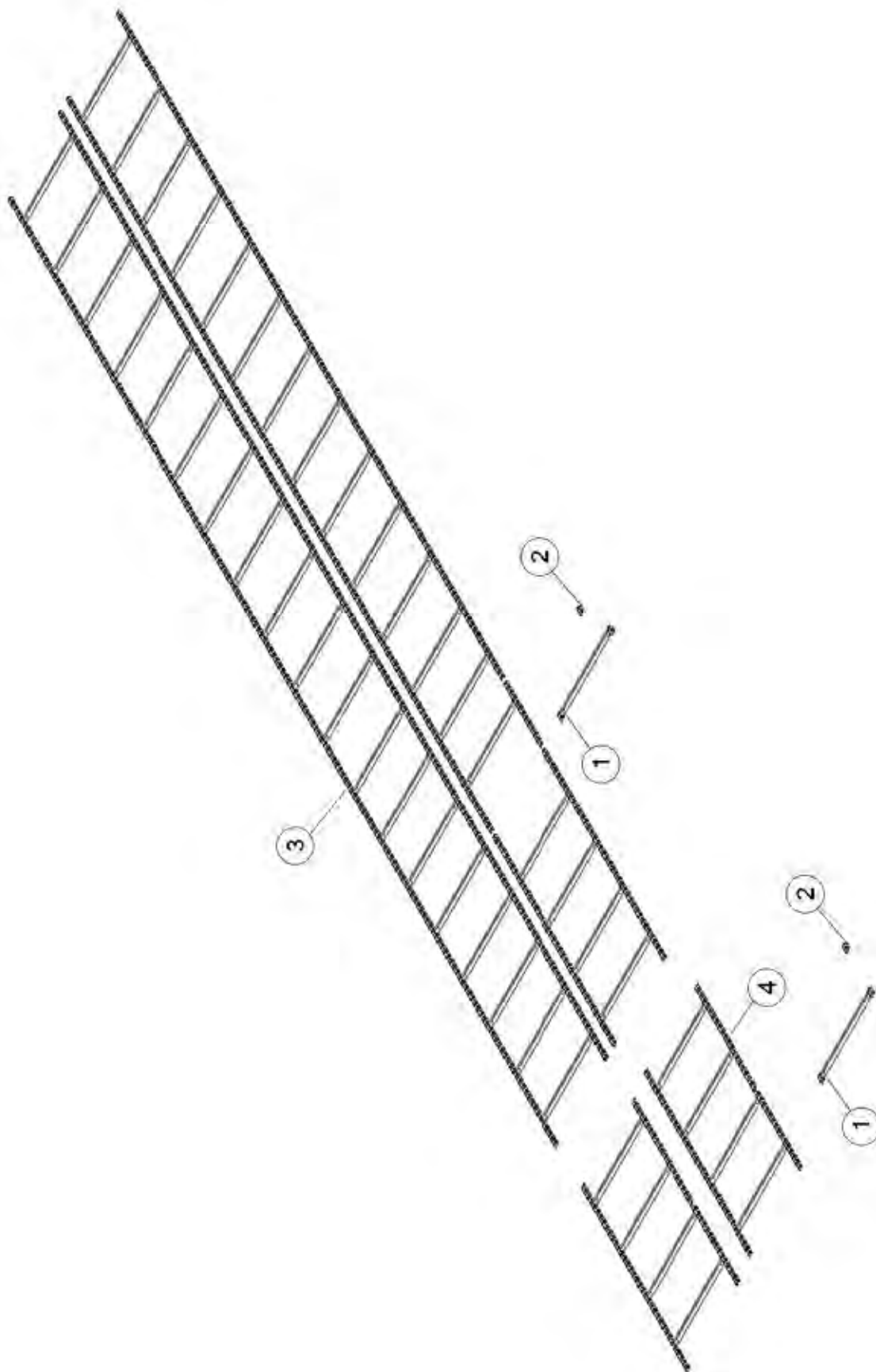




**FIGURE 5**  
**27 FT FLOOR & COMPONENTS**

<b><u>ITEM</u></b>	<b><u>QTY 27'</u></b>	<b><u>PART#</u></b>	<b><u>DESCRIPTION</u></b>
1	1	86911	POLY FLOOR PANEL
2	4	83529	INSIDE SLANT
3	6	83488	INSIDE SLANT
4	8	YNFG08010	NUT FLANGE, 1/4
5	8	YBFB08005	BOLT FLANGE, 1/4 X 1/2 G5

**FIGURE 6**  
**APRON CHAIN & COMPONENTS**



## FIGURE 6

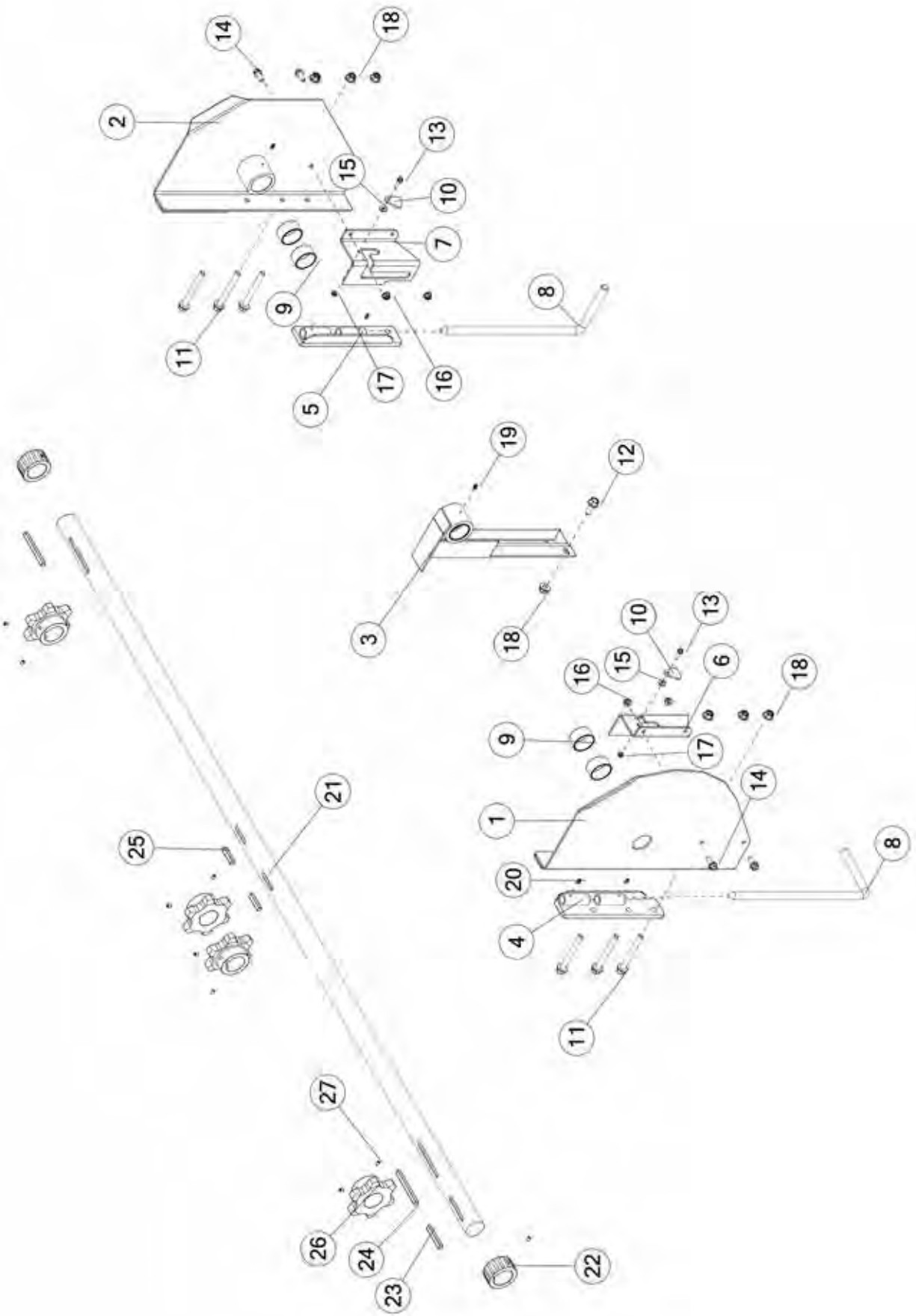
### APRON CHAIN & COMPONENTS

<u>ITEM</u>	<u>QTY 23'</u>	<u>QTY 25'</u>	<u>QTY 27'</u>	<u>PART#</u>	<u>DESCRIPTION</u>
1	**	**	**	PB177	SLAT, 667XH X 1 W/ ATTACHMENT LINK 667XH
2	**	**	**	PB181	CONN LINK 667XH X 1
3	4	4	2	L3450	APRON CHAIN, 667XH X 118
4	2	-	-	86861	APRON CHAIN, 667XH X 27
4	-	2	-	86902	APRON CHAIN, 667XH X 39
4	-	-	2	86902	APRON CHAIN, 667XH X 39

\*\* AS NEEDED

- NOT USED ON THIS MODEL

# FIGURE 7 REAR DRIVE SHAFT & COMPONENTS

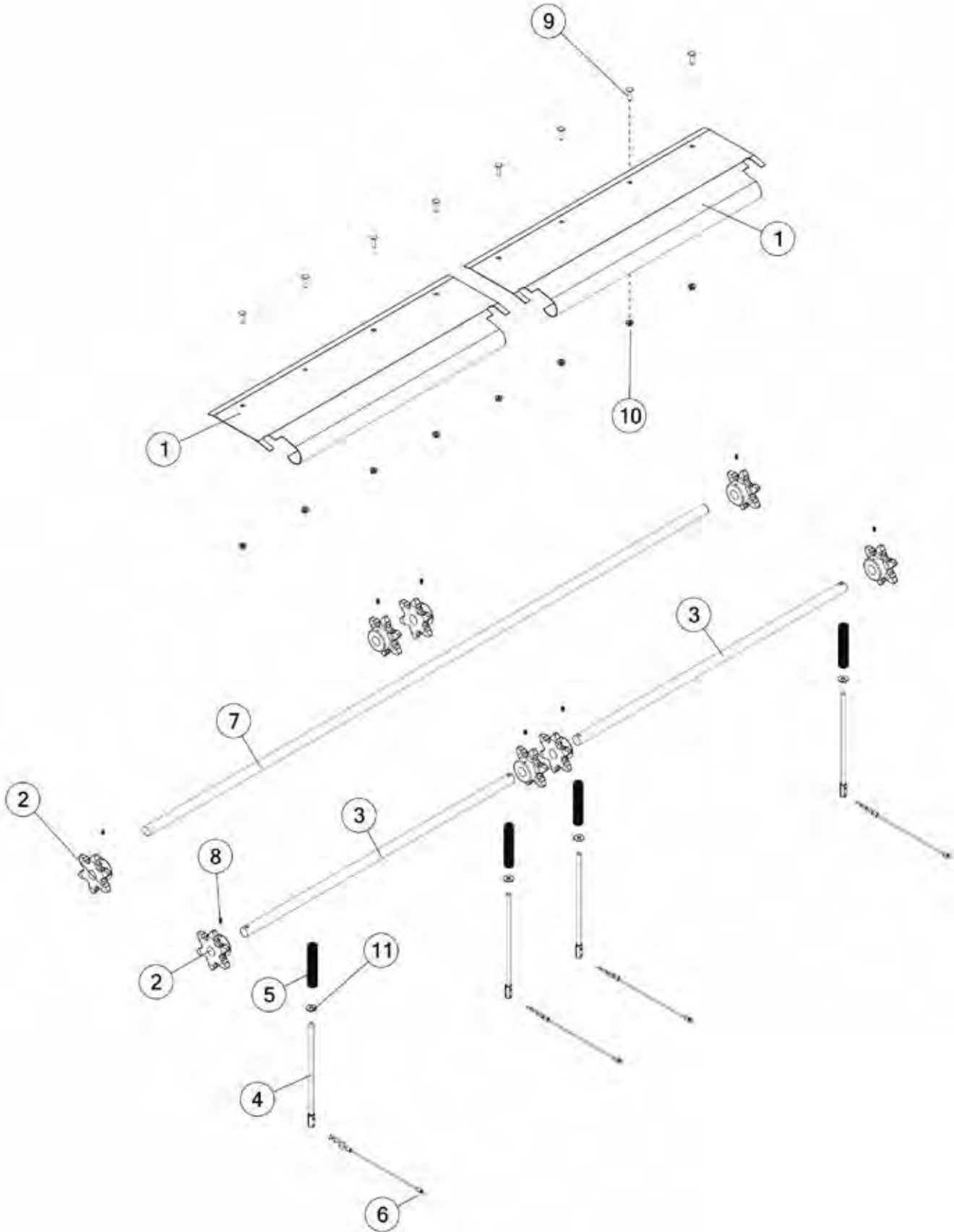


## FIGURE 7

### REAR DRIVE SHAFT & COMPONENTS

<u>ITEM</u>	<u>QTY 23'</u>	<u>QTY 25'</u>	<u>QTY 27'</u>	<u>PART#</u>	<u>DESCRIPTION</u>
1	1	1	1	86459	DRIVE SHAFT MOUNT LH
2	1	1	1	86452	DRIVE SHAFT MOUNT RH
3	1	1	1	73790	BRACE, CENTER BACK
4	1	1	1	76990	LOCK, BACK DOOR
5	1	1	1	77032	LOCK, BACK DOOR
6	1	1	1	77197	LOCK, BACK DOOR
7	1	1	1	77206	LOCK, BACK DOOR
8	2	2	2	76986	BENT PIN, 0.75, 16.8
9	4	4	4	72652	BRONZE BUSHING
10	2	2	2	77200	PLATE, 1.75 X 1.50 X 0.19
11	6	6	6	YBFB16450	BOLT FLANGE, 1/2 X 4-1/2 G5
12	1	1	1	YBFB16125	BOLT FLANGE, 1/2 X 1-1/4 G5
13	2	2	2	YBFB08100	BOLT FLANGE, 1/4 X 1 G5
14	4	4	4	YBFB12003	BOLT FLANGE, 3/8 X 1 G5
15	4	4	4	YWFL08005	WASHER, FLAT, 1/4
16	4	4	4	YNFG12006	NUT FLANGE, 3/8
17	2	2	2	YNFG08010	NUT FLANGE, 1/4
18	6	6	6	YNFG16003	NUT FLANGE, 1/2
19	1	1	1	G89	STRAIGHT ZERK 1/4-28 X 90
20	4	4	4	MS26	SHORT SHANK ZERK-STRAIGHT
21	1	1	1	73000	REAR DRIVE SHAFT
22	2	2	2	72998	SPROCKET, BACK DOOR LATCH
23	1	1	1	0209MS08	SQUARE KEY, 3/8 X 2-7/8
24	2	2	2	PB133	SQUARE KEY, 3/8 X 4-3/8
25	2	2	2	PB87	SQUARE KEY, 3/8 X 2
26	4	4	4	72669	6 TOOTH STEEL SPROCKET
27	10	10	10	YSKP10010	SCREW, SOCKET, KNURLED, 5/16 - 18 X 3/8

# **FIGURE 8** **IDLER SHAFT & COMPONENTS**

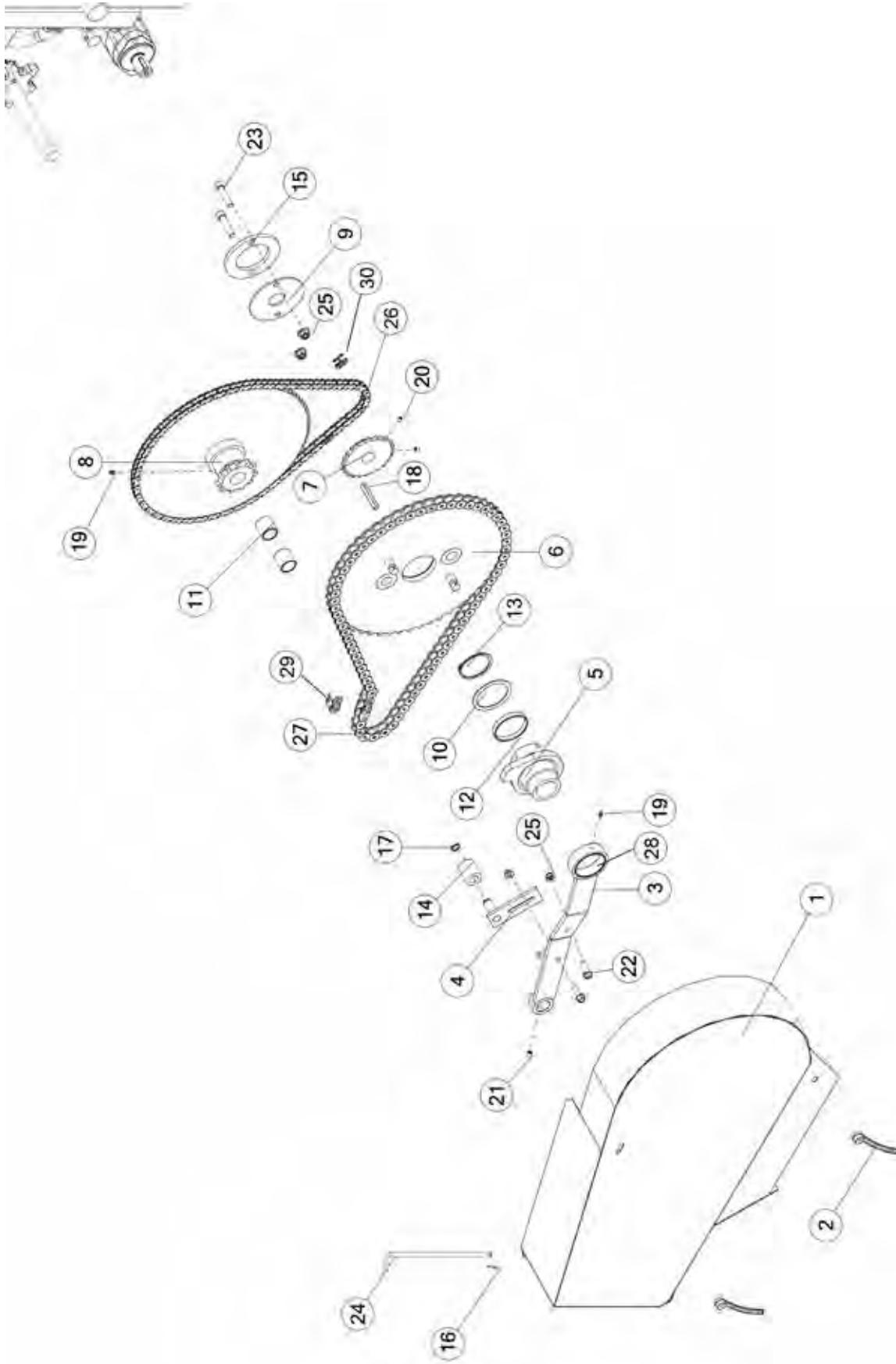


## FIGURE 8

### IDLER SHAFT & COMPONENTS

<u>ITEM</u>	<u>QTY 23'</u>	<u>QTY 25'</u>	<u>QTY 27'</u>	<u>PART#</u>	<u>DESCRIPTION</u>
1	2	2	2	72996	SHAFT SEAL
2	8	8	8	JB10	APRON IDLER SPROCKET
3	2	2	2	PB89B	TIGHTENER SHAFT W/DECALS
4	4	4	4	57589	TIGHTNER BOLT
5	4	4	4	57577	DIE SPRING, HEAVY LOAD, 1 X 1/2 X 6
6	4	4	4	57616	LANYARD, 9/64 X 2-11/16 HAIR PIN IDLER
7	1	1	1	PB90	SHAFT
8	8	8	8	G89	STRAIGHT ZERK 1/4-28 X 90
9	8	8	8	YBCR12015	BOLT BARRIAGE, 3/8-16 X 1-1/2 G5 NUT
10	8	8	8	YNFG12006	FLANGE, 3/8
11	4	4	4	YWFL16005	WASHER FLAT, 1/2

# FIGURE 9 REAR DRIVE SPROCKETS & COMPONENTS



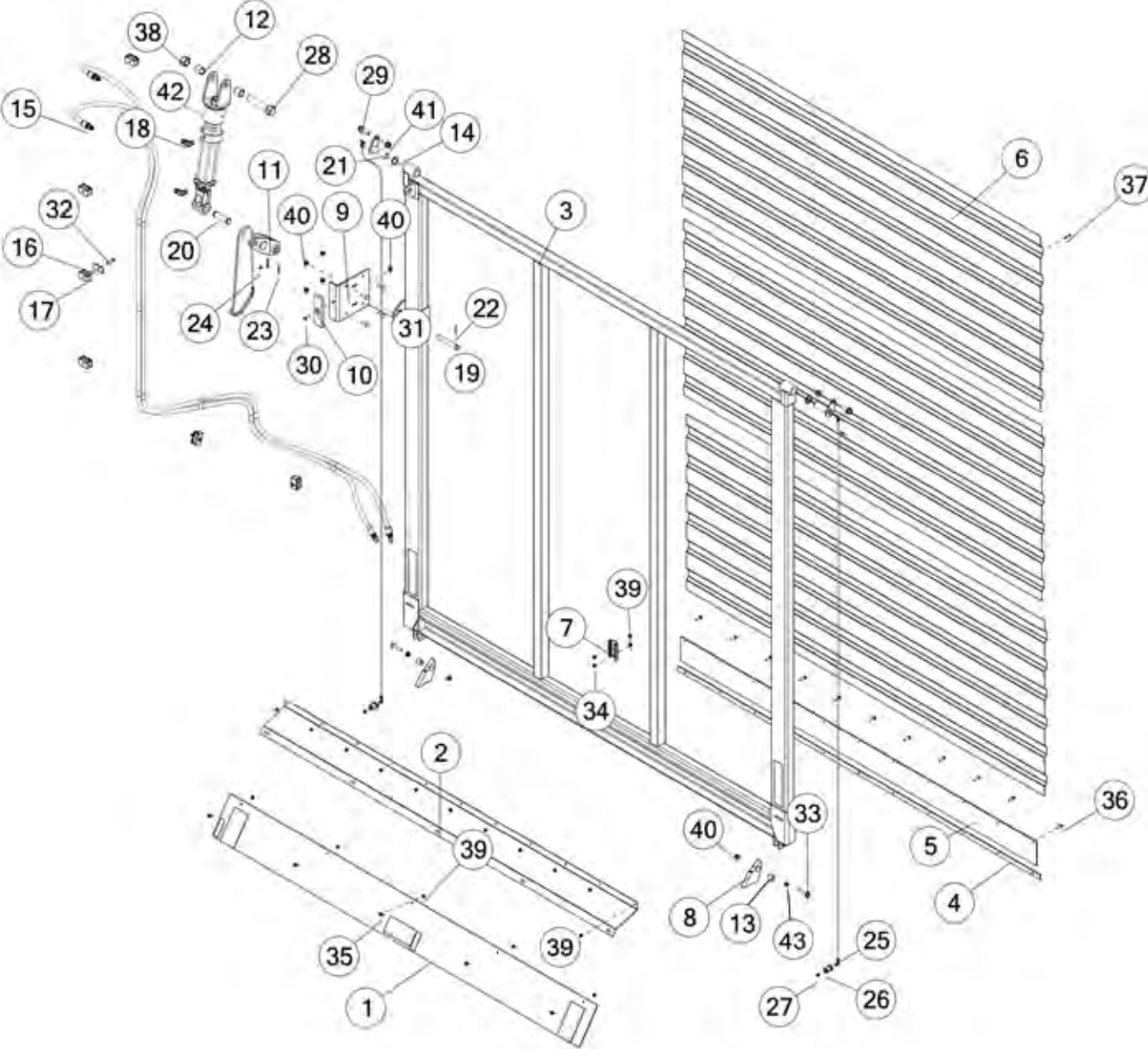


## FIGURE 9

### REAR DRIVE SPROCKETS & COMPONENTS

<u>ITEM</u>	<u>QTY 23'</u>	<u>QTY 25'</u>	<u>QTY 27'</u>	<u>PART#</u>	<u>DESCRIPTION</u>
1	1	1	1	PB138B	SHAFT SHIELD, BACK
2	2	2	2	S192	HANDLE NUT
3	1	1	1	86651	REAR DRIVE BRACE
4	1	1	1	L10R35	TIGHTENER BRACKET
5	1	1	1	72831	CLUTCH DOG WLDMT, REAR
6	1	1	1	72832	DRIVE SPROCKET, BACK
7	1	1	1	ST28	SPROCKET, 50B24, 1.250 ID
8	1	1	1	PB95	SPROCKET, 84T TO 11T (50A84)
9	1	1	1	PB260	MOTOR MOUNT
10	1	1	1	72712	CLUTCH SPROCKET SHIM
11	2	2	2	G16	BUSHING, BRONZE, 1-1/2 X 1-1/4 X 1-1/2
12	1	1	1	72705	BRONZE BUSHING
13	1	1	1	SD202	STANDARD EXTERNAL SNAP RING, 3
14	1	1	1	23N238	CHAIN TIGHTENER ROLLER
15	1	1	1	PB261	SPACER
16	1	1	1	YPCT05005	COTTER PIN, 5/32 X 1
17	1	1	1	10R32	SNAP RING, EXTERNAL, 0.70
18	1	1	1	0209MS08	SQUARE KEY, 3/8 X 2-7/8
19	2	2	2	G89	STRAIGHT ZERK 1/4-28 X 90
20	2	2	2	YSKP10010	SCREW, SOCKET, KNURLED CUP PT, 5/16 X 3/8
21	1	1	1	YSKP12010	SCREW, SOCKET, KNURLED CUP PT, 3/8 X 1/2
22	2	2	2	YBFB12125	BOLT FLANGE, 3/8 X 1-1/4 G5
23	2	2	2	YSHS16020	BOLT SOCKET HEAD, 1/2 X 2-1/4
24	1	1	1	PB100	SHIELD HINGE PIN
25	4	4	4	YNFG16003	NUT FLANGE, 1/2
26	1	1	1	PB114	ROLLER CHAIN
27	1	1	1	SD292	ROLLER CHAIN
28	1	1	1	72841	BUSHING
29	1	1	1	F157	CONNECTING LINK
30	1	1	1	X61	CONNECTING LINK

**FIGURE 10**  
**BACK DOOR GATE DELAY & COMPONENTS**



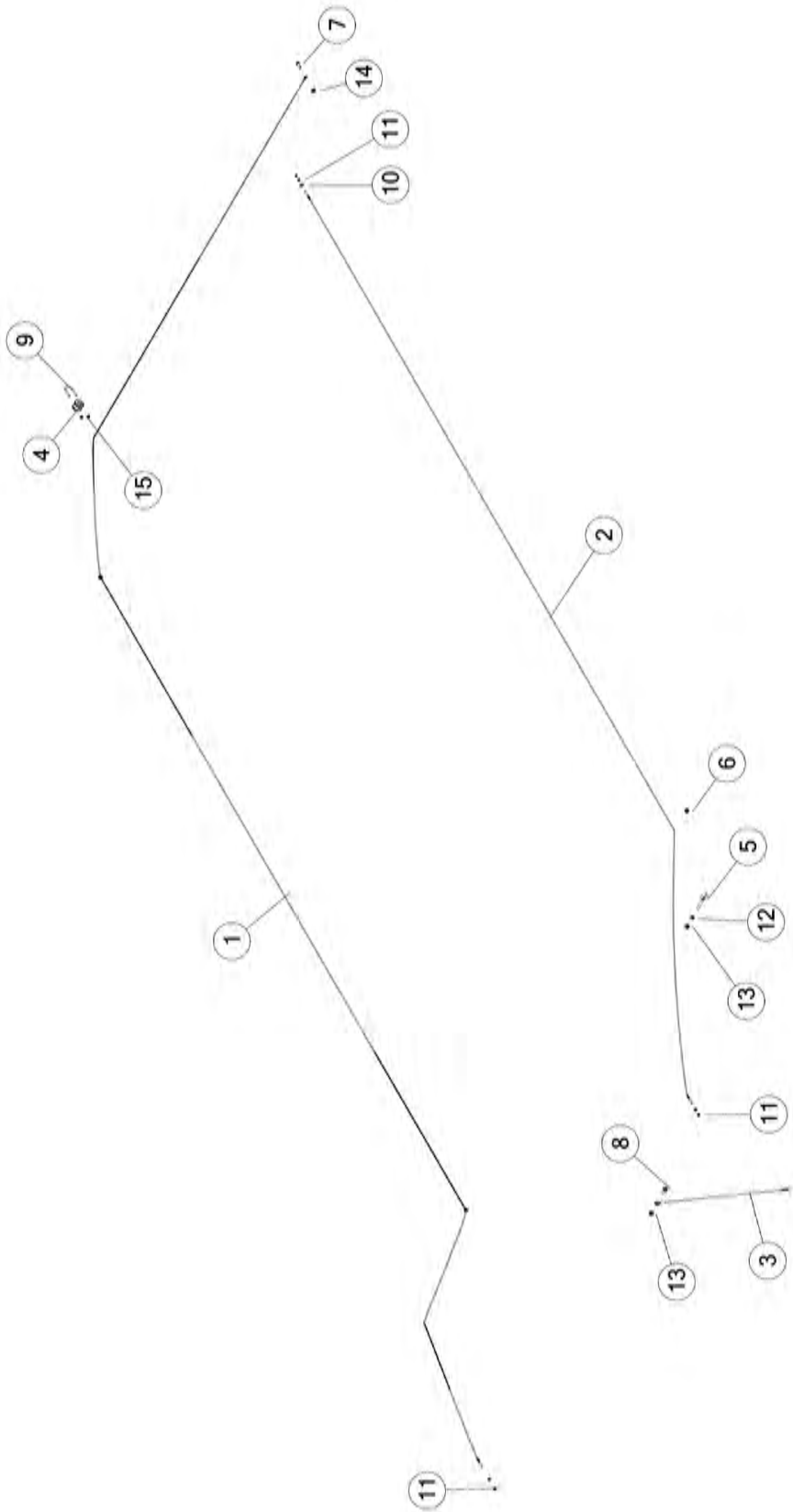
# FIGURE 10

## BACK DOOR GATE DELAY & COMPONENTS

<u>ITEM</u>	<u>QTY 23'</u>	<u>QTY 25'</u>	<u>QTY 27'</u>	<u>PART#</u>	<u>DESCRIPTION</u>
1	1	1	1	IFB60B	PANEL, POLY, SHIELD, BACK
2	1	1	1	IFB59	POLY SHIELD HOLDER
3	1	1	1	60171	BACK DOOR
4	1	1	1	S288	PLT, 87.50X1.00X.13
5	1	1	1	PB54	REAR DOOR RUBBER SEAL
6	3	3	3	86432	BACK DOOR PANEL
7	1	1	1	F97	SMV BRACKET
8	2	2	2	59883	DOOR LATCH BAR
9	1	1	1	83194	STRIKER BRACKET
10	1	1	1	0231PL01	POLY BUMPER
11	1	1	1	77291	PIVOT
12	2	2	2	77434	STL BSH, 1.05X1.32X1.13, SPACER
13	2	2	2	61020	LATCH PIVOT WIDE
14	2	2	2	S345	PULLEY SPACER
15	2	2	2	86628	HYDRAULIC HOSE, 6 X 184
16	8	8	8	56563	CLAMP TOP PLATE
17	8	8	8	CHM278	3/8 TWO LINE CLAMP BLOCK
18	2	2	2	80591	SWIVEL ELBOW CONNECTOR
19	1	1	1	83190	PIVOT PIN
20	1	1	1	T143	HYDRAULIC CYLINDER PIN
21	2	2	2	IFB3	DOOR HINGE PIN
22	1	1	1	YPEX08015	EXPANSION PIN, 1/4 X 1 3/4
23	2	2	2	YPCT05010	COTTER PIN, 5/32 X 1-1/2
24	1	1	1	G89	STRAIGHT ZERK 1/4-28 X 90
25	1	1	1	86632	GREASE LINE
26	2	2	2	86537	FITTING, ST BH, 1/8 NPTF X 1/8 NPTF
27	2	2	2	BFR28	GREASE ZERK, 1/8 NPT
28	1	1	1	YBHH32020	BOLT HEX, 1 X 5 G5
29	2	2	2	YBFB16175	BOLT FLANGE, 1/2 X 1-3/4 G5
30	1	1	1	YBHH12010	BOLT HEX, 3/8 X 1 G5
31	4	4	4	YBCR12020	BOLT CARRIAGE, 3/8 X 1-1/4 G5
32	7	7	7	56568	CLAMP BOLT, 5/16 x 1-3/8
33	2	2	2	YSFS16025	BOLT,FLAT SOK,1/2 X 2
34	2	2	2	YBFB08005	BOLT FLANGE, 1/4 X 1/2 G5
35	5	5	5	YBFB08075	BOLT FLANGE, 1/4 X 3/4 G5
36	11	11	11	YBFB08100	BOLT FLANGE, 1/4 X 1 G5
37	1	1	1	YSDR66008	SCREW, HEX WASHER HEAD, 1-1/4
38	1	1	1	YNTL32005	NUT HEX, 1
39	17	17	17	YNFG08010	NUT FLANGE, 1/4
40	5	5	5	YNFG12006	NUT FLANGE, 3/8
41	2	2	2	YNFG16003	NUT FLANGE, 1/2
42	1	1	1	76902	CYLINDER
*	1	1	1	76445	SPRING
*	1	1	1	76437	CLEVIS
*	1	1	1	77431	CYLINDER TUBE
*	1	1	1	YSKP10010	SCREW SET, SOCKET, 5/16 X 3/8
*	1	1	1	77355	POLY BUSHING
43	2	2	2	YNNJ16005	NUT JAM, 1/2 G2

\* NOT SHOWN

**FIGURE 11**  
**SAFETY CABLE & COMPONENTS**



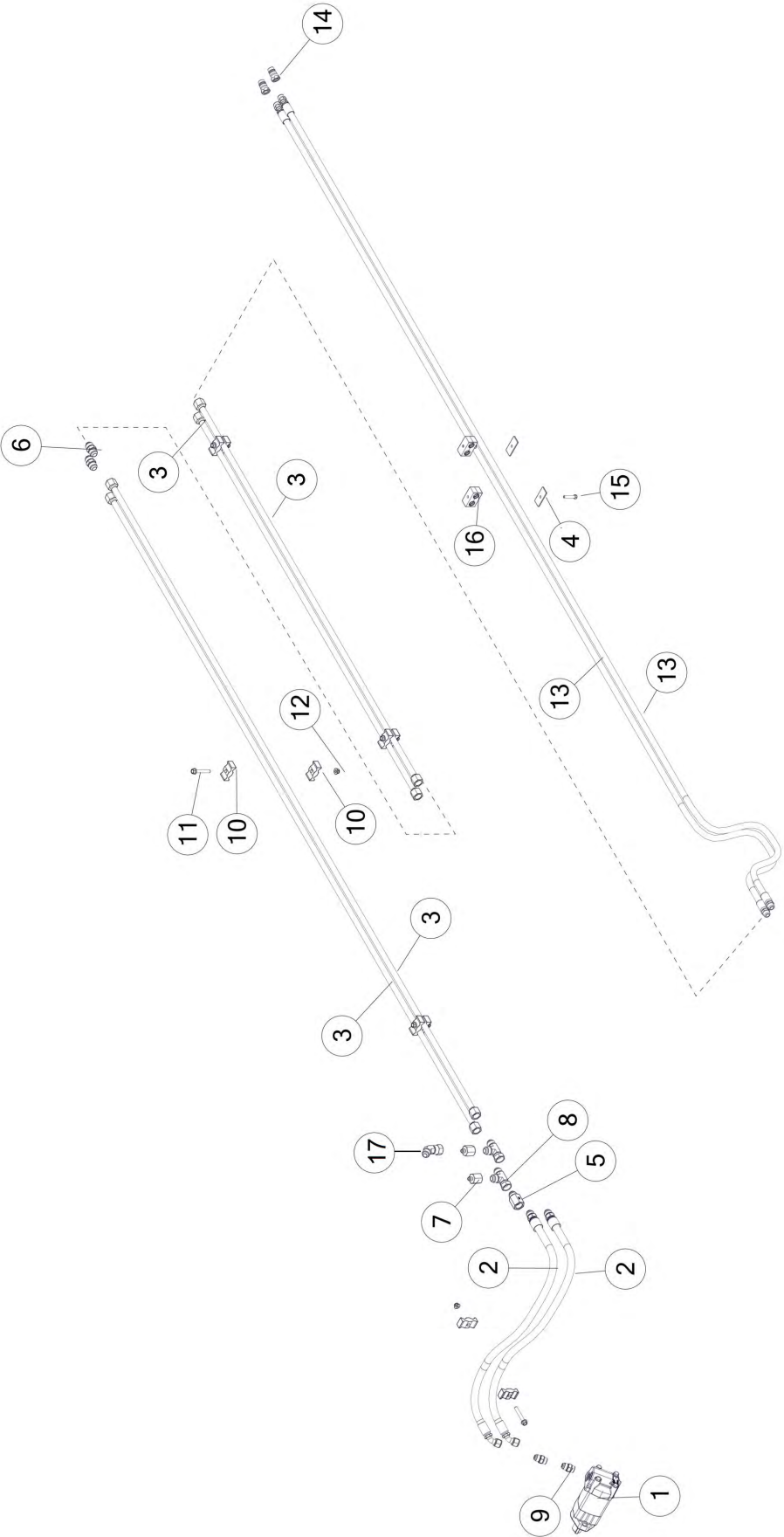
# FIGURE 11

## SAFETY CABLE & COMPONENTS

<u>ITEM</u>	<u>QTY 23'</u>	<u>QTY 25'</u>	<u>QTY 27'</u>	<u>PART#</u>	<u>DESCRIPTION</u>
1	1	-	-	80810	EMERGENCY STOP CABLE RH
1	-	1	-	80830	EMERGENCY STOP CABLE RH
1	-	-	1	86746	EMERGENCY STOP CABLE RH
2	1	-	-	80804	EMERGENCY STOP CABLE LH
2	-	1	-	80828	EMERGENCY STOP CABLE LH
2	-	-	1	86747	EMERGENCY STOP CABLE LH
3	1	1	1	80576	EMERGENCY STOP CABLE
4	1	1	1	F33	SIDE CABLE GUIDE
5	1	1	1	YBTE12015	BOLT TURNED EYE, 3/8 X 2-1/2
6	3	3	3	85283	GROMMET
7	1	1	1	YBFB10001	BOLT FLANGE, 5/16 X 1 G5
8	1	1	1	YBFB12003	BOLT FLANGE, 3/8 X 1 G5
9	1	1	1	YBPU08005	PIPE U BOLT, 1/4 X 3/4
10	1	1	1	YWFL08005	WASHER FLAT, 1/4
11	6	6	6	YNHX08006	NUT HEX, 1/4 G5
12	1	1	1	YNHX12005	NUT HEX, 3/8
13	2	2	2	YNFG12006	NUT FLANGE, 3/8
14	1	1	1	YNFG10005	NUT FLANGE, 5/16
15	2	2	2	YNFG08010	NUT FLANGE, 1/4

- NOT USED ON THIS MODEL

**FIGURE 12**  
**23 FT HYDRAULICS**

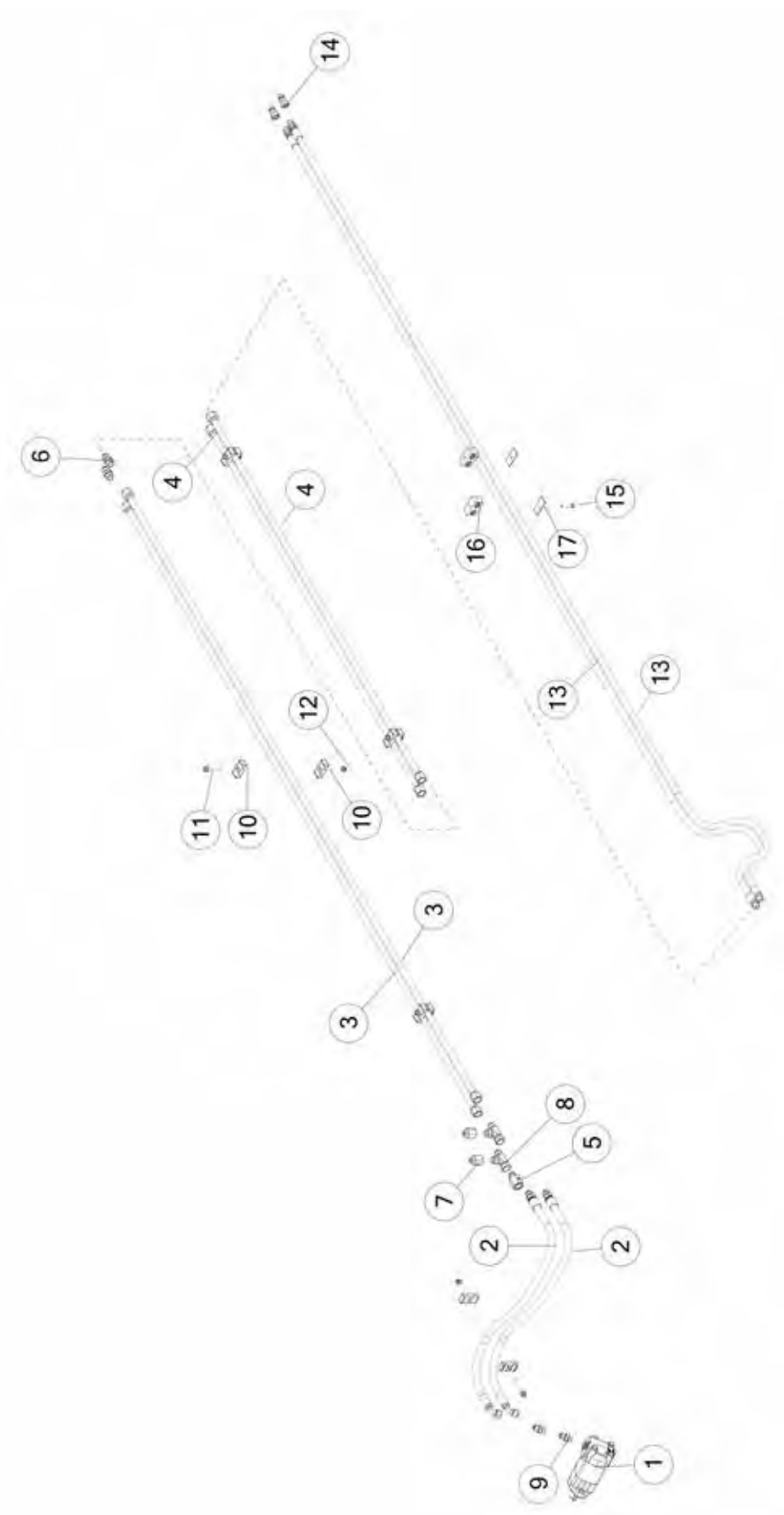


## **FIGURE 12**

### **23 FT HYDRAULICS**

<b><u>ITEM</u></b>	<b><u>QTY 23'</u></b>	<b><u>PART#</u></b>	<b><u>DESCRIPTION</u></b>
1	1	16SV150	HYDRAULIC MOTOR
2	2	86465	HYDRAULIC HOSE, 10 X 46
3	4	86473	HYDRAULIC TUBE, 3/4 X 10 FT
4	2	56564	CLAMP TOP PLATE
5	1	86477	HYD VALVE, CHECK, 3/4
6	2	CHM189	FITTING ST, 12 JIC, 12 JIC
7	2	86540	FITTING, STRAIGHT, 12JIC X 6JIC
8	2	CHM180	FITTING, TEE, 12JIC X 12JIC X 12JIC
9	2	GM57	FITTING, ST, 10JIC, 10ORB, STL
10	14	86567	DOUBLE CLAMP, UNIVERSAL
11	7	YBFB12250	BOLT FLANGE, 3/8 X 2-1/2 G5
12	7	YNFG12006	NUT FLANGE, 3/8
13	2	73578	HOSE HYDRAULIC
14	2	67148	QUICK COUPLERS
15	2	56569	CLAMP BOLTS, 5/16 X 1-3/4
16	2	56596	CLAMP CUSHION
17	1	60062	FITTING, SWIVEL NUT ELBOW, 3/8

**FIGURE 12**  
**25 FT HYDRAULICS**



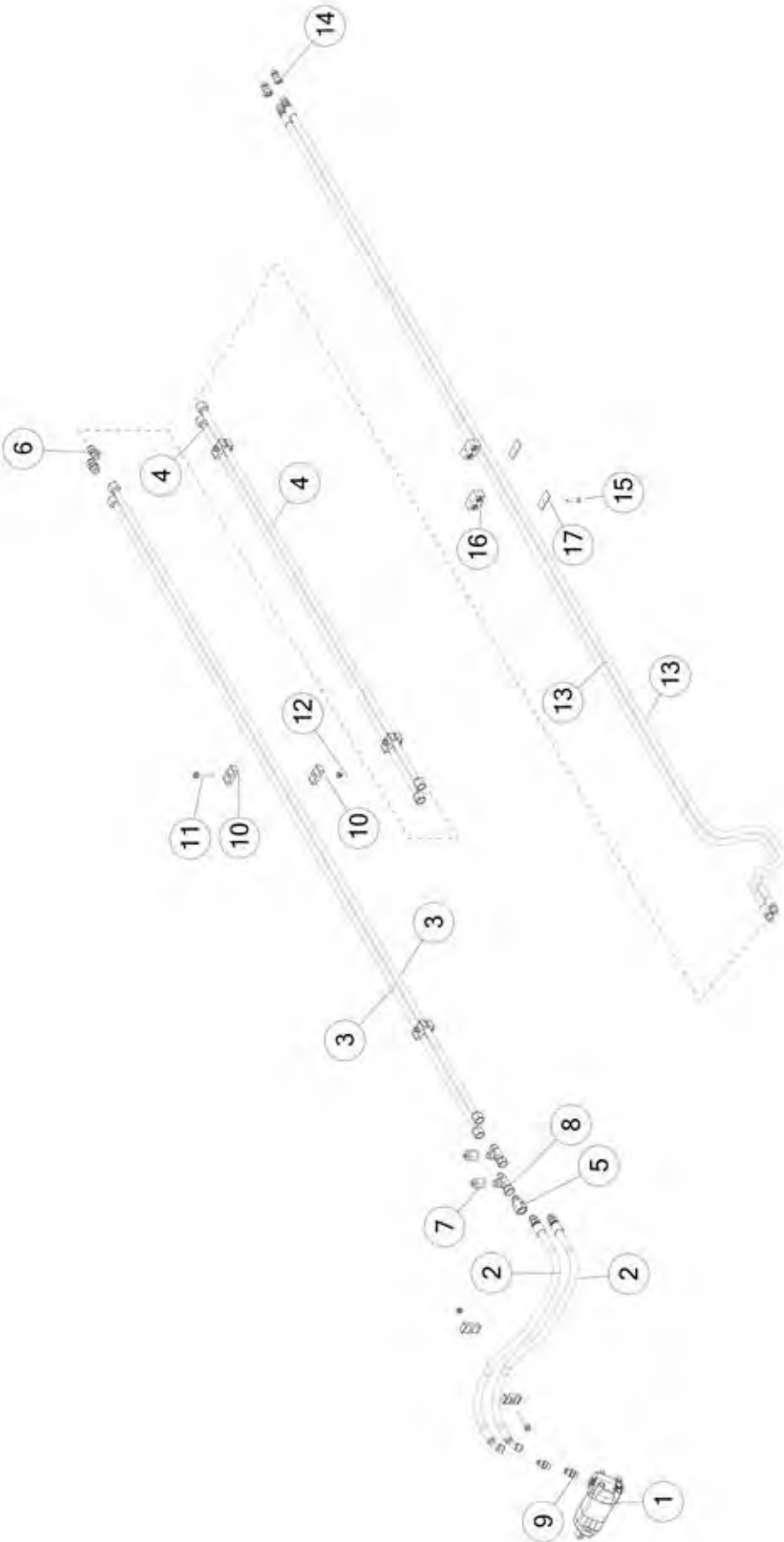


## **FIGURE 12**

### **25 FT HYDRAULICS**

<b><u>ITEM</u></b>	<b><u>QTY 25'</u></b>	<b><u>PART#</u></b>	<b><u>DESCRIPTION</u></b>
1	1	16SV150	HYDRAULIC MOTOR
2	2	86465	HYDRAULIC HOSE, 10 X 46
3	2	86473	HYDRAULIC TUBE, 3/4 X 10 FT
4	4	86475	HYDRAULIC TUBE, 3/4 X 6 FT
5	1	86477	HYDRAULIC VALVE, CHECK, 3/4
6	2	CHM189	FITTING ST, 12 JIC, 12 JIC
7	2	86540	FITTING, STRAIGHT, 12JIC X 6JIC
8	2	CHM180	FITTING, TEE, 12JIC X 12JIC X 12JIC
9	2	GM57	FITTING, ST, 10JIC, 10ORB, STL
10	14	86567	DOUBLE CLAMP, UNIVERSAL
11	7	YBFB12250	BOLT FLANGE, 3/8 X 2-1/2 G5
12	7	YNFG12006	NUT FLANGE, 3/8
13	2	86946	HOSE HYDRAULIC
14	2	67148	QUICK COUPLERS
15	2	56569	CLAMP BOLTS, 5/16 X 1-3/4
16	2	56596	CLAMP CUSHION
17	2	56564	CLAMP TOP PLATE

**FIGURE 12**  
**27 FT HYDRAULICS**



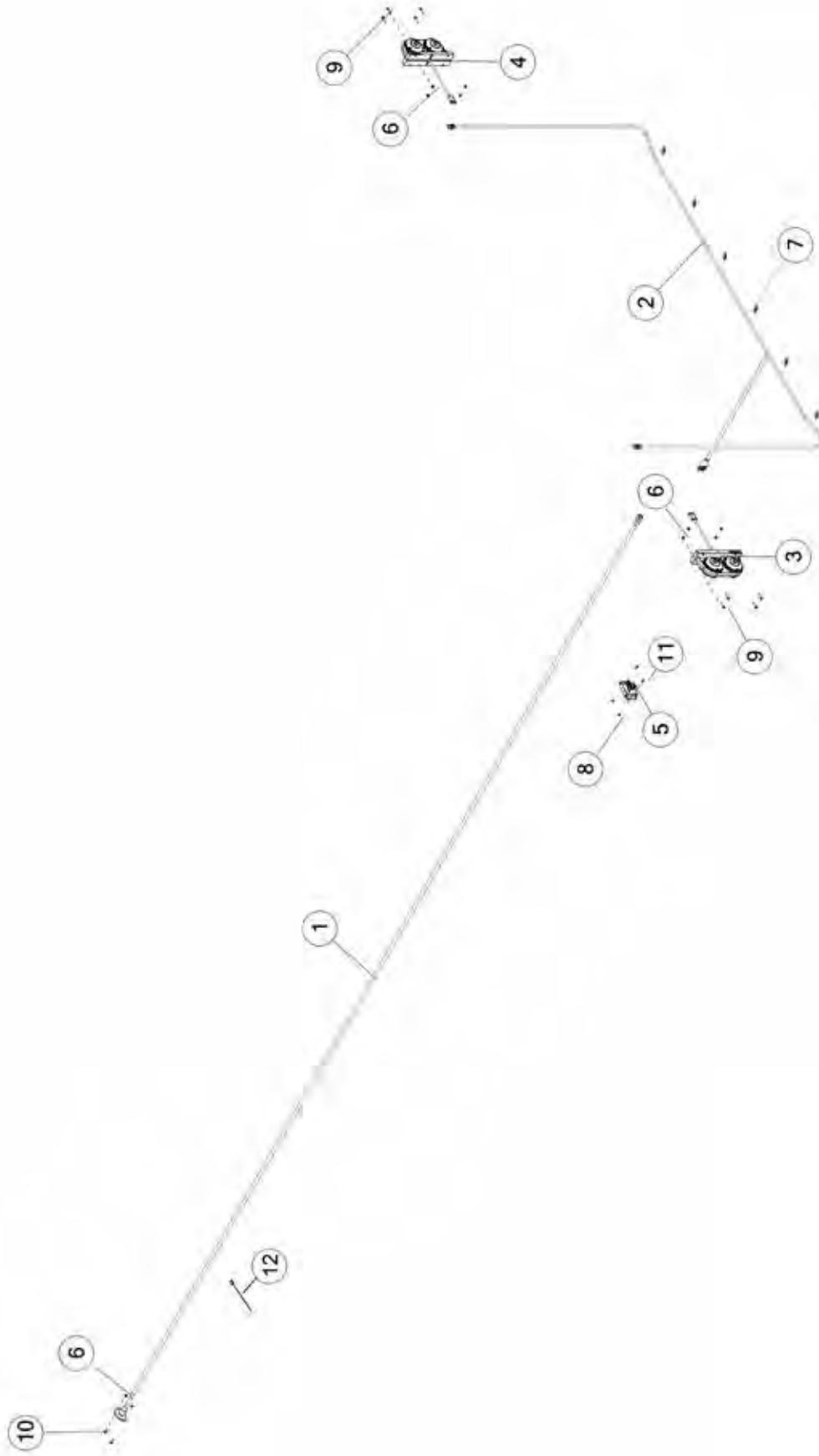
## FIGURE 12

### 27 FT HYDRAULICS

<u>ITEM</u>	<u>QTY 27'</u>	<u>PART#</u>	<u>DESCRIPTION</u>
1	1	16SV150	HYDRAULIC MOTOR
2	2	86465	HYDRAULIC HOSE, 10 X 46
3	2	86473	HYDRAULIC TUBE, 3/4 X 10 FT
4	4	86475	HYDRAULIC TUBE, 3/4 X 6 FT
*	2	86474	HYDRAULIC TUBE, 3/4 X 8 FT
5	1	86477	HYDRAULIC VALVE, CHECK, 3/4
6	2	CHM189	FITTING ST, 12 JIC, 12 JIC
7	2	86540	FITTING, STRAIGHT, 12JIC X 6JIC
8	2	CHM180	FITTING, TEE, 12JIC X 12JIC X 12JIC
9	2	GM57	FITTING, ST, 10JIC, 10ORB, STL
10	14	86567	DOUBLE CLAMP, UNIVERSAL
11	7	YBFB12250	BOLT FLANGE, 3/8 X 2-1/2 G5
12	7	YNFG12006	NUT FLANGE, 3/8
13	2	86946	HOSE HYDRAULIC
14	2	67148	QUICK COUPLERS
15	2	56569	CLAMP BOLTS, 5/16 X 1-3/4
16	2	56596	CLAMP CUSHION
17	2	56564	CLAMP TOP PLATE

\* NOT SHOWN

**FIGURE 13**  
**LIGHTS**

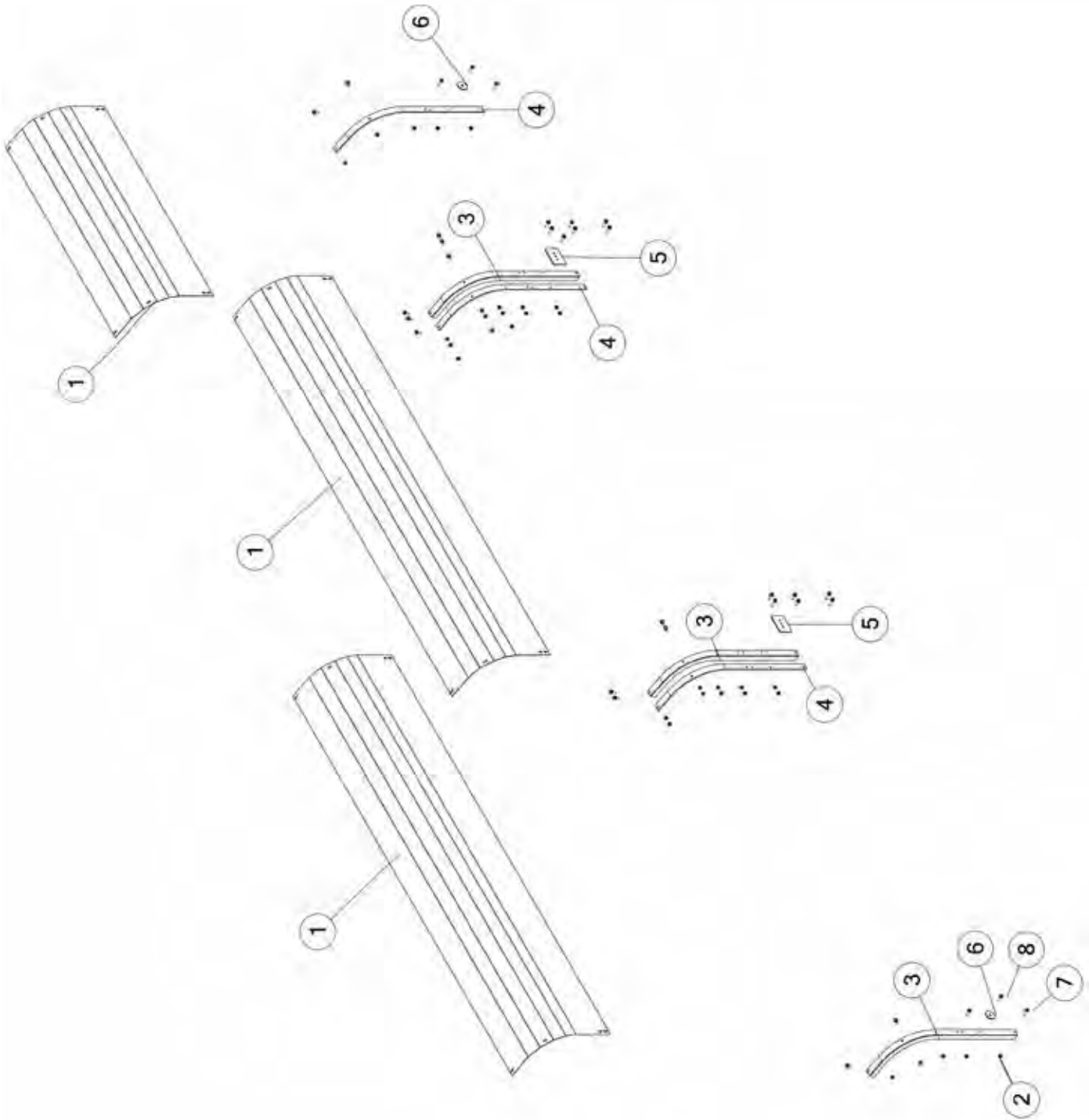


## FIGURE 13 LIGHTS

<u>ITEM</u>	<u>QTY 23'</u>	<u>QTY 25'</u>	<u>QTY 27'</u>	<u>PART#</u>	<u>DESCRIPTION</u>
1	1	-	-	S540	LIGHT HARNESS, FRONT
1	-	1	-	S541	LIGHT HARNESS, FRONT
1	-	-	1	BFR670	LIGHT HARNESS, FRONT
2	1	1	1	78360	LIGHT HARNESS, BACK
3	1	1	1	77923	TAIL LIGHT LH
4	1	1	1	77924	TAIL LIGHT RH
5	1	1	1	72755	MODULE
6	10	10	10	YNFG08010	NUT FLANGE, 1/4
7	6	6	6	56021	METAL CHASSIS CLIP
8	3	3	3	YNNY64005	NUT HEX
9	8	8	8	YBHH08035	BOLT HEX, 1/4 X 1-1/4
10	2	2	2	YBFB08075	BOLT FLANGE 1/4 X 3/4 G5
11	3	3	3	YSPN64005	MACHINE PPHS, #10-24 X 5/8
12	19	19	19	CIZT101	ZIPTIE

- NOT USED ON THIS MODEL

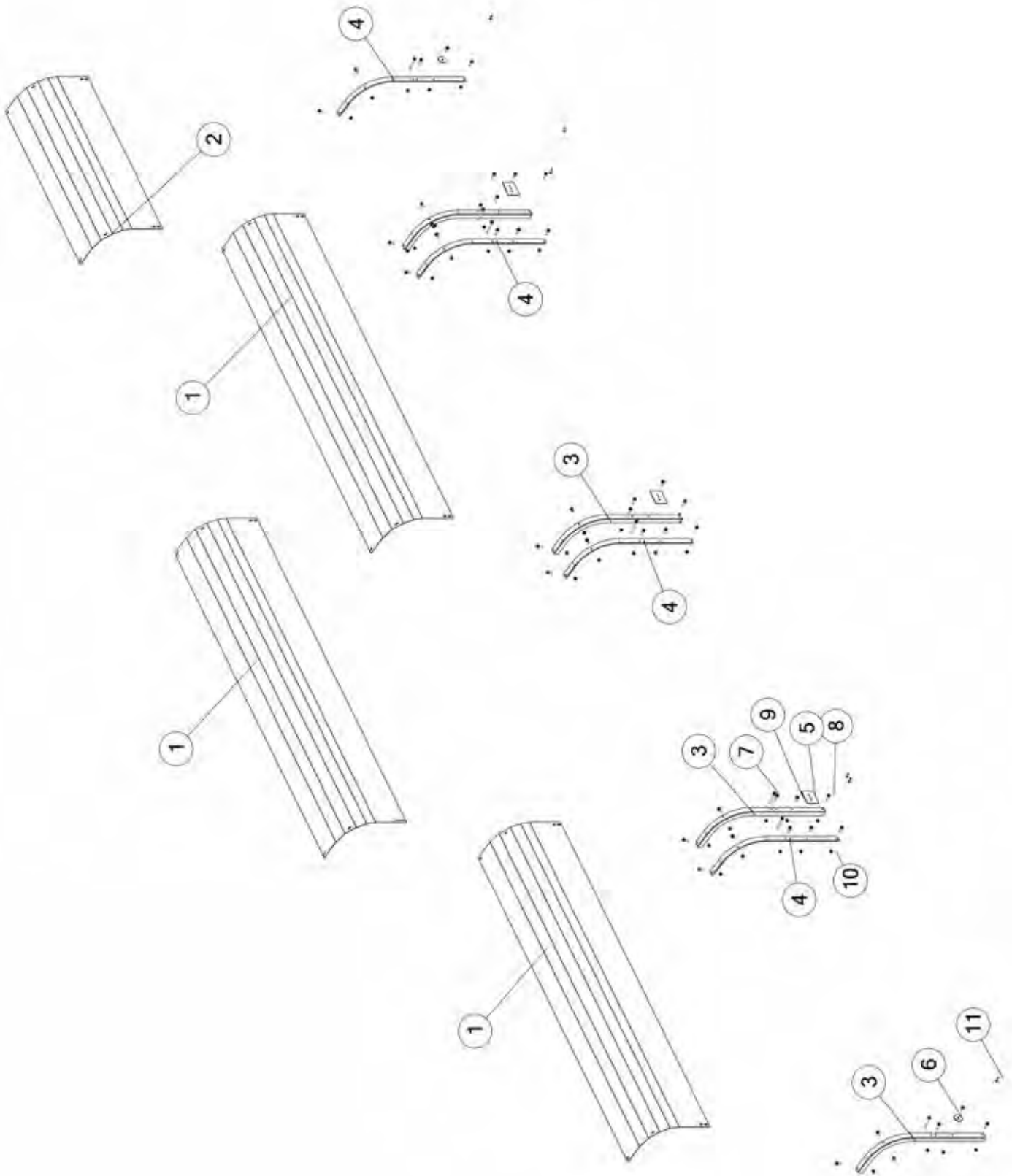
**FIGURE 14**  
**23 & 25 FT OPTIONAL ROOF HOOD**



**FIGURE 14**  
**23 & 25 FT OPTIONAL ROOF HOOD**

<u>ITEM</u>	<u>QTY 23'</u>	<u>QTY 25'</u>	<u>PART#</u>	<u>DESCRIPTION</u>
1	3	3	86789	ROOF EDGE RADIUS
2	33	33	YNFG10005	NUT FLANGE, 5/16
3	3	3	86756	ROOF RADIUS SUPPORT LH
4	3	3	86755	ROOF RADIUS SUPPORT RH
5	2	2	82969	ROOF HOOD SCREEN WASHER
6	2	2	YWCU12005	WASHER
7	13	13	YBFB10125	BOLT FLANGE, 5/16 X 1-1/4 G5
8	20	20	YBFB10001	BOLT FLANGE, 5/16 X 1 G5

# **FIGURE 14** **27 FT OPTIONAL ROOF HOOD**

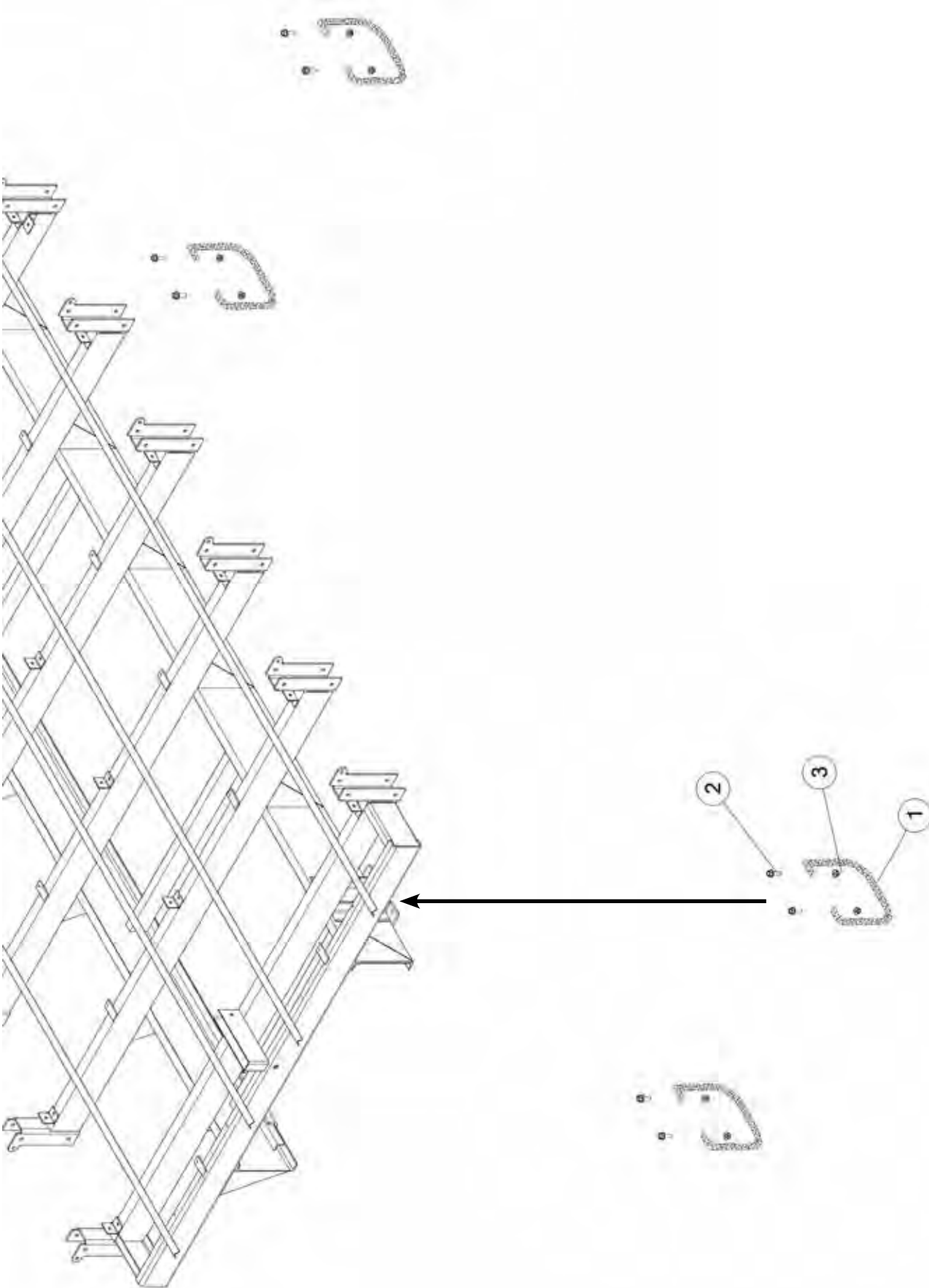




**FIGURE 14**  
**27 FT OPTIONAL ROOF HOOD**

<b><u>ITEM</u></b>	<b><u>QTY 27'</u></b>	<b><u>PART#</u></b>	<b><u>DESCRIPTION</u></b>
1	3	86789	ROOF EDGE RADIUS
2	1	86834	ROOF EDGE RADIUS
3	4	86756	ROOF RADIUS SUPPORT LEFT
4	4	86755	ROOF RADIUS SUPPORT RIGHT
5	3	82969	ROOF HOOD SCREEN WASHER
6	2	YWCU12005	WASHER
7	9	YBFB10300	BOLT FLG, 5/16 X 3 G5
8	17	YBFB10125	BOLT FLG, 5/16 X 1-1/4 G5
9	26	YBFB10001	BOLT FLG, 5/16 X 1 G5
10	43	YNFG10005	NUT FLG, 5/16 GF
11	8	YSDR08005	SELF DRILLING SCREW, HEX WASHER HEAD, 1/4-14 X 1

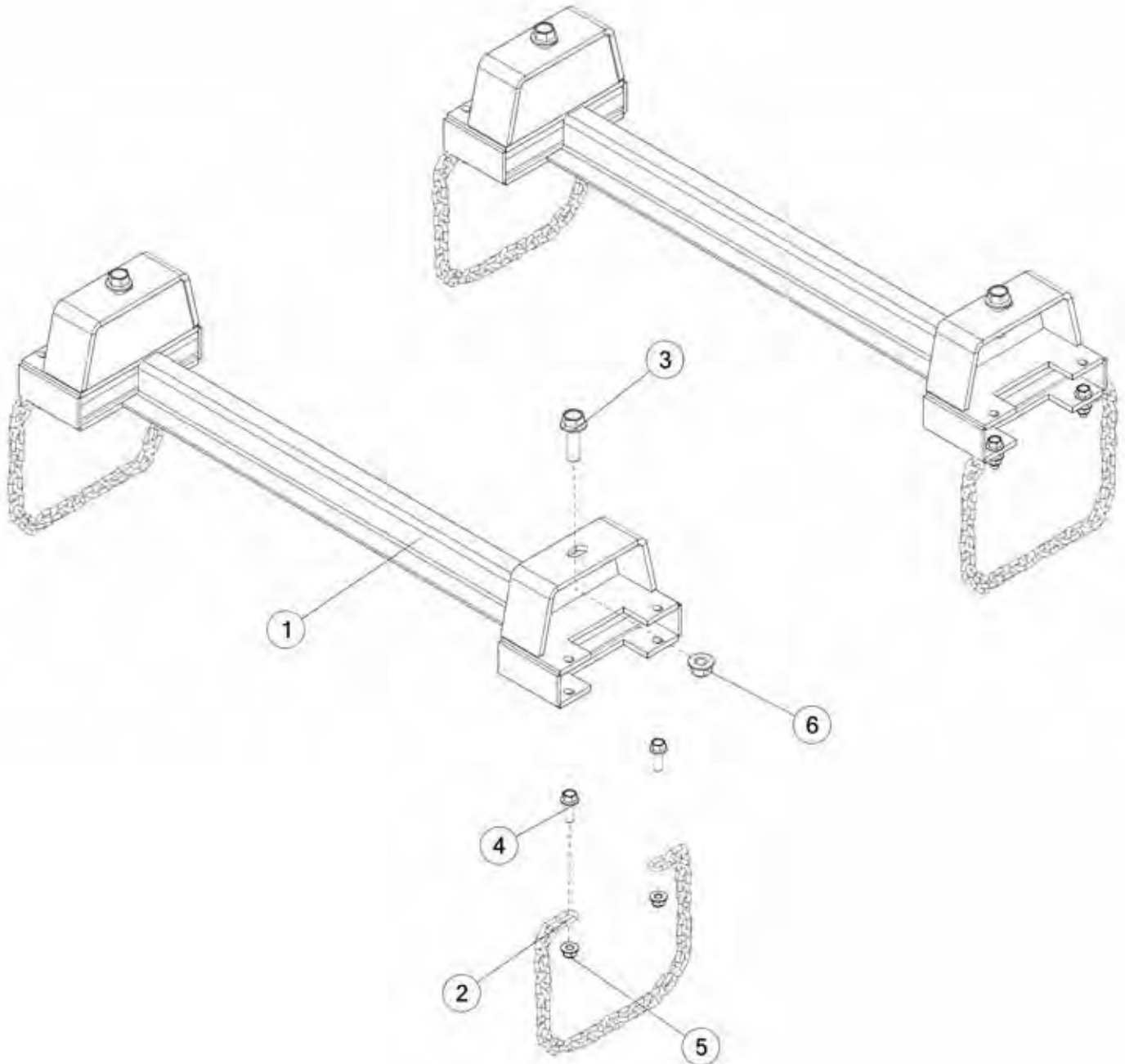
**FIGURE 15**  
**TIE DOWN KIT**



**FIGURE 15**  
**TIE DOWN KIT**

<b><u>ITEM</u></b>	<b><u>QTY 23'</u></b>	<b><u>QTY 25'</u></b>	<b><u>QTY 27'</u></b>	<b><u>PART#</u></b>	<b><u>DESCRIPTION</u></b>
1	4	4	4	S322	CHAIN COIL
2	8	8	8	YBFB16150	BOLT FLANGE, 1/2 X 1-1/2 G5
3	8	8	8	YNFG16003	NUT FLANGE, 1/2

**FIGURE 16**  
**42 INCH CONVERSION KIT**



**FIGURE 16**  
**42 INCH CONVERSION KIT**

<b><u>ITEM</u></b>	<b><u>QTY 23'</u></b>	<b><u>QTY 25'</u></b>	<b><u>QTY 27'</u></b>	<b><u>PART#</u></b>	<b><u>DESCRIPTION</u></b>
1	2	2	2	86380	RISER WELDMENT
2	4	4	4	S322	CHAIN, COIL, 1/4 X 42
3	4	4	4	YBFB24250	BOLT FLANGE, 3/4 X 2-1/2 G5
4	8	8	8	YBFB16150	BOLT FLANGE, 1/2 X 1-1/2 G5
5	8	8	8	YNFG16003	NUT FLANGE, 1/2 GF
6	4	4	4	YNFG24006	NUT HEX FLANGED, TOP LOCK, 3/4



## **CHANGE NOTES**

- 1. Replace S60 with JB10. On Figure 8 Idler shaft & Components.**
- 2. Added part YNNJ16005 on Item 43. Replace YFB12200 with YSFS16025 Item 33. On Figure 10 Back Door Gate Delay & Components.**
- 3. Added part 60062 Item 17 to Figure 23 Hydraulics.**

**H&S MFG. CO.**

products approved

for the

**FEMA**

**SEAL OF QUALITY**

