



SUPER DUTY 7+4 HYDRAULIC DRIVE FORAGE BOX

PARTS BOOK



Revision #05
Starting Serial #410120

HSMFG1019

Part #64211

**Manufactured By
H&S MANUFACTURING CO.,INC.**

**P.O. BOX 768 (715) 387-3414 FAX (715) 384-5463
MARSHFIELD, WISCONSIN 54449**

CONTENTS

| | |
|---|-------|
| Instructions for Ordering Parts. | 1 |
| Figure 1 - Housing Components (Sides). | 2-3 |
| Figure 2 - Housing Components (Front & Bottom). | 4-5 |
| Figure 3 - Beaters. | 6-9 |
| Figure 4 - Main Apron Drive. | 10-13 |
| Figure 5 - Cross Apron Drive. | 14-15 |
| Figure 6 - Extension. | 16-17 |
| Figure 7 - Hydraulic Drive. | 18-21 |
| Figure 8 - Beater Clutch. | 22-23 |
| Figure 9 - Variable Speed Drive. | 24-27 |
| Figure 10 - Shields. | 28-29 |
| Figure 11 - Beater Gearbox | 30-31 |
| Figure 12 - Worm Gearbox. | 32-33 |
| Figure 13 - Rear Unload Assembly. | 34-37 |
| Figure 14 - Industrial 2-Way Unload. | 38-41 |
| Figure 15 - 4th Beater Option | 42-43 |
| Figure 16 - Light Harness | 44-45 |
| Figure 17 - Unit Harness Routing. | 46-47 |
| Figure 18 - Hydraulic Drive Control Box. | 48-49 |
| Figure 19 - Extension Hydraulics. | 50-51 |
| Figure 20 - Air Gate Delay | 52-53 |
| Figure 21 - Hydraulic Gate Delay | 54-55 |
| Figure 22 - Tie-down | 56 |
| Parts Notes | 57-58 |

INSTRUCTIONS FOR ORDERING PARTS

All service parts should be ordered through your authorized H&S dealer. They will be able to give you faster service if you will provide them with the following

1. Model & Serial number is located in the front center of the box.
2. All reference to left or right apply to the Super Duty as viewed from the rear.
3. Parts should not be ordered from illustration only. Please order by complete part number.
4. If your dealer has to order parts - give shipping instructions:

VIA truck - large pieces (please specify local truck lines)

VIA United Parcel Service (include full address)

| | |
|-------------------|----------------------|
| H&S MFG. CO. INC. | |
| MARSHFIELD, WIS. | |
| MOD. NO. | <input type="text"/> |
| SER. NO. | <input type="text"/> |
| DESCR. | <input type="text"/> |

PLEASE RECORD NUMBERS FOR YOUR UNIT FOR QUICK REFERENCE

ABOUT IMPROVEMENTS

H&S IS CONTINUALLY STRIVING TO IMPROVE IT'S PRODUCTS

We must therefore, reserve the right to make improvements or changes whenever it becomes practical to do so without incurring any obligation to make changes or additions to the equipment previously sold.

FIGURE 1

HOUSING COMPONENTS SIDES

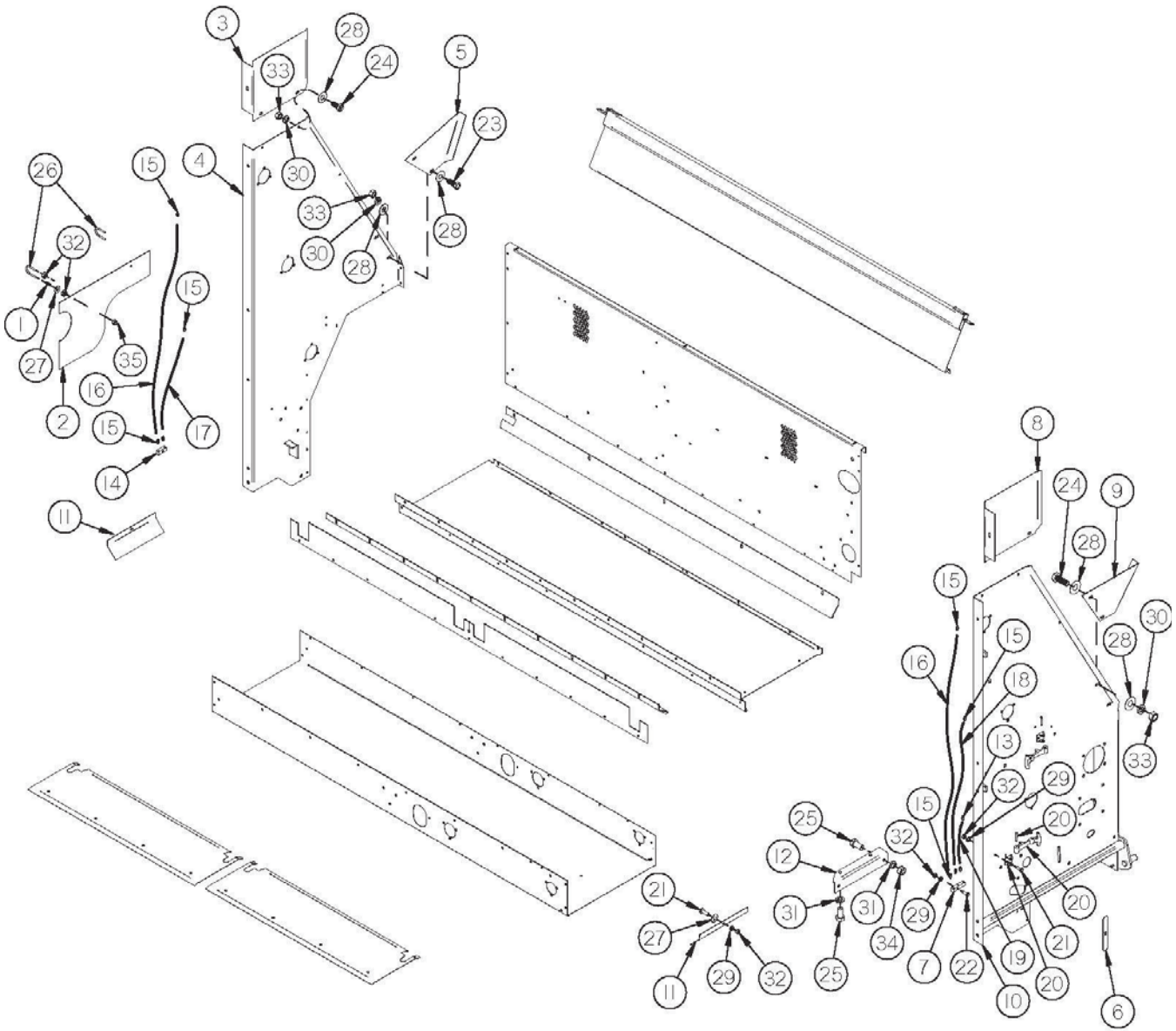


FIGURE 1

HOUSING COMPONENTS SIDES

| <u>ITEM</u> | <u>QTY</u> | <u>PART #</u> | <u>DESCRIPTION</u> |
|-------------|------------|---------------|--|
| 1 | 1 | S1 | SPRING |
| 2 | 1 | S2 | POLY SHIELD |
| 3 | 1 | S3 | LEFT SIDE PANEL TOP |
| 4 | 1 | S4 | LEFT SIDE PANEL |
| 5 | 1 | S5 | LEFT EMERGENCY STOP PANEL |
| 6 | 1 | SD86 | SLOT COVER |
| 7 | 1 | SD83 | GREASE BLOCK (3-PORT) |
| * | 1 | SD146 | GREASE BLOCK (4-PORT) 4TH BEATER ONLY |
| 8 | 1 | S9 | RIGHT SIDE PANEL TOP |
| 9 | 1 | S11 | RIGHT EMERGENCY STOP PANEL |
| 10 | 1 | SD4 | RIGHT SIDE PANEL |
| 11 | 2 | S20 | APRON SIDE SPACER |
| 12 | 1 | SD99 | GEARBOX ANGLE |
| 13 | 5 | SD82 | GREASE LINE FITTING 90° |
| 14 | 1 | SD79 | GREASE BLOCK |
| * | 1 | SD83 | GREASE BLOCK (3-PORT) 4TH BEATER ONLY |
| 15 | 5 | S47 | GREASE LINE FITTING |
| 16 | 2 | SD80 | GREASE LINE (54-1/2") |
| 17 | 1 | SD81 | GREASE LINE (40-1/4") |
| 18 | 1 | SD98 | GREASE LINE (29") |
| 19 | 1 | SD109 | GREASE LINE (14") |
| 20 | 2 | X233 | COMPLETE LATCH |
| 21 | 3 | YBHH08100 | BOLT, 1/4" X 3/4" GR. 5 |
| 22 | 1 | YBHH08010 | BOLT, 1/4" X 1" GR. 5 |
| 23 | 4 | YBHH12135 | BOLT, 3/8" X 3/4" GR. 5 |
| 24 | 4 | YBHH12010 | BOLT, 3/8" X 1" GR. 5 |
| 25 | 4 | YBHH16010 | BOLT, 1/2" X 1" GR. 5 |
| 26 | 2 | YBPU08005 | PIPE U BOLT, 1/4"-20 X 3/4" PIPE, 1-1/4" ID, 2-1/4" IL, 1-1/4" THREAD |
| 27 | 3 | YWFL08005 | WASHER, FLAT, 1/4" USS |
| 28 | 12 | YWFL12005 | WASHER, FLAT, 3/8" USS |
| 29 | 4 | YWLO08005 | WASHER, LOCK, 1/4" |
| 30 | 8 | YWLO12005 | WASHER, LOCK, 3/8" |
| 31 | 4 | YWLO16005 | WASHER, LOCK, 1/2" |
| 32 | 8 | YNHX08005 | HEX NUT, 1/4"-20 |
| 33 | 8 | YNHX12005 | HEX NUT, 3/8"-16 |
| 34 | 2 | YNHX16005 | HEX NUT, 1/2" |
| 35 | 4 | YNNY08005 | HEX NUT, NYLON LOCKNUT, 1/4"-20 |

NOTE: * MEANS NOT SHOWN

FIGURE 2

HOUSING COMPONENTS FRONT & BOTTOM

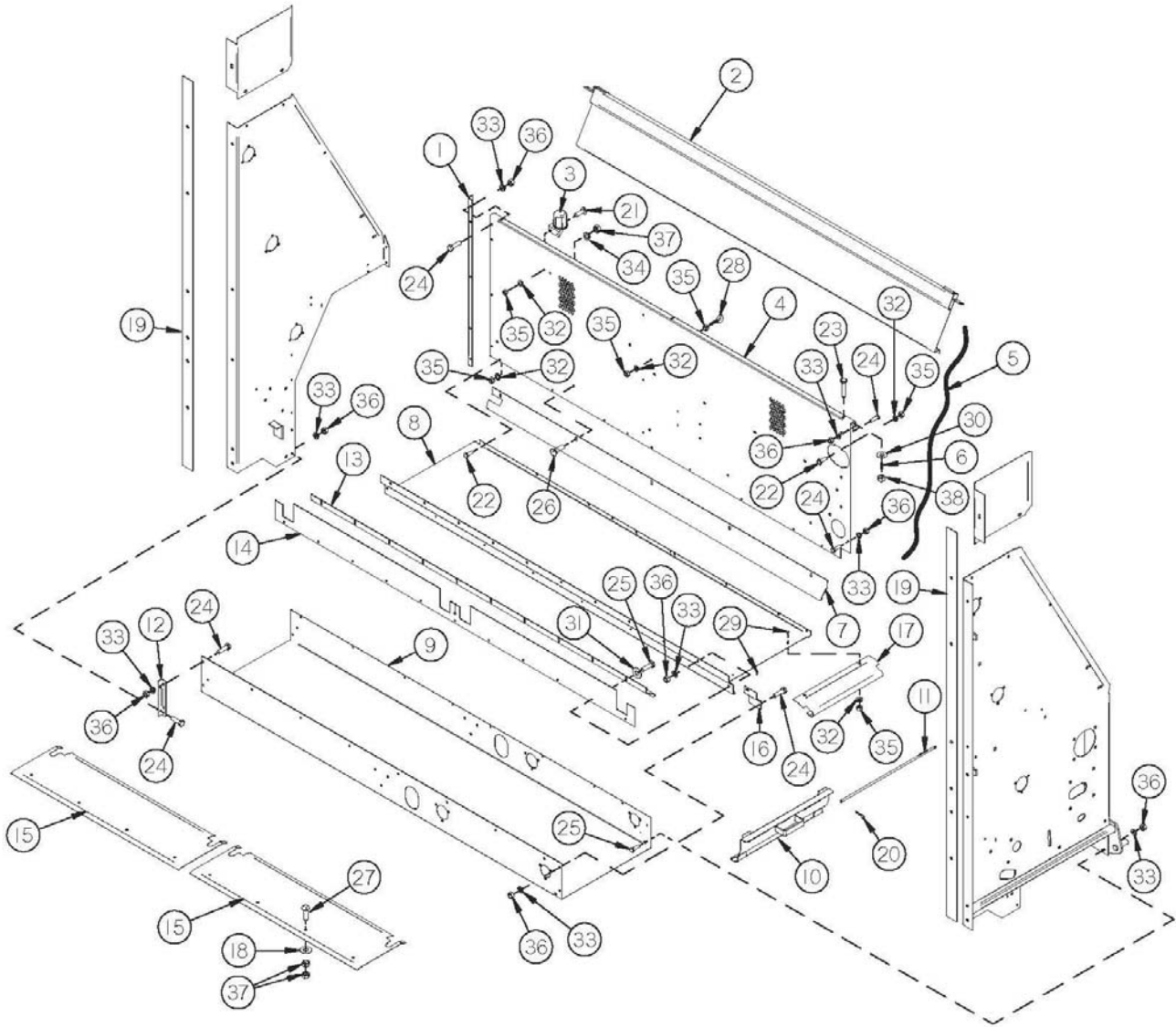


FIGURE 2

HOUSING COMPONENTS FRONT & BOTTOM

| <u>ITEM</u> | <u>QTY</u> | <u>PART #</u> | <u>DESCRIPTION</u> |
|-------------|------------|---------------|---|
| 1 | 1 | S22 | LEFT FRONT ANGLE |
| 2 | 1 | S370 | EMERGENCY STOP PANEL |
| 3 | 1 | CHM38 | PLUG STORAGE |
| 4 | 1 | SD2 | FRONT MAIN PANEL |
| 5 | 1 | S8 | EMERGENCY STOP CABLE |
| * | 2 | ES14 | THIMBLE |
| * | 2 | ES15 | CABLE CLAMP |
| 6 | 3 | S7 | SPRING FOR EMERGENCY STOP |
| 7 | 1 | SD5 | CROSS CONVEYOR FRONT HOLD-DOWN |
| 8 | 1 | SD6 | CROSS APRON PAN |
| 9 | 1 | SD7 | RETURN PAN |
| 10 | 1 | SD8 | RETURN PAN END |
| 11 | 1 | SD10 | RETURN PAN END ROD |
| 12 | 1 | S19 | LEFT RETURN PAN ANGLE |
| 13 | 1 | SD11 | CROSS CONVEYOR BACK HOLD-DOWN |
| 14 | 1 | S306 | RUBBER SEAL |
| 15 | 2 | PB74 | DRIVE SHAFT PANEL |
| 16 | 1 | SD12 | TUB END |
| 17 | 1 | SD13 | TUB EXTENSION |
| 18 | 8 | YWCU12005 | WASHER, CUSTOM, FLAT, .435" ID. X 1-7/8" OD. X .125 THICK |
| 19 | 2 | SD100 | UNIT SPACER |
| 20 | 1 | YPHR02010 | HAIR PIN, #21-07 |
| 21 | 2 | YBHH08015 | BOLT, 1/4" X 1/2" GR. 5 |
| 22 | 10 | YBHH08100 | BOLT, 1/4" X 3/4" GR. 5 |
| 23 | 3 | YBHH08025 | BOLT, 1/4" X 1-1/2" GR. 5 |
| 24 | 20 | YBHH10105 | BOLT, 5/16" X 3/4" GR. 5 |
| 25 | 13 | YBHH10010 | BOLT, 5/16" X 1" GR. 5 |
| 26 | 5 | YBCR12065 | CARR. BOLT, 3/8" X 3/4" GR. 5 |
| 27 | 8 | YBCR12015 | CARR. BOLT, 3/8" X 1-1/2" GR. 5 |
| 28 | 2 | YBTE08005 | TURNUED EYE BOLT, 1/4" X 1" FULL THREAD |
| 29 | 2 | YSTM08004 | SLOTTED TRUSS HEAD ZINC MACHINE SCREW, 1/4"-20 x 3/4" |
| 30 | 3 | YWFL08005 | WASHER, FLAT, 1/4" USS |
| 31 | 11 | YWFL10005 | WASHER, FLAT, 5/16" USS |
| 32 | 16 | YWLO08005 | WASHER, LOCK, 1/4" |
| 33 | 33 | YWLO10005 | WASHER, LOCK, 5/16" |
| 34 | 5 | YWLO12005 | WASHER, LOCK, 3/8" |
| 35 | 18 | YNHX08005 | HEX NUT, 1/4"-20 |
| 36 | 33 | YNHX10005 | HEX NUT, 5/16" |
| 37 | 21 | YNHX12005 | HEX NUT, 3/8"-16 |
| 38 | 3 | YNTL08005 | HEX NUT, TOP LOCK, 1/4"-20 |

NOTE: * MEANS NOT SHOWN

FIGURE 3

BEATERS

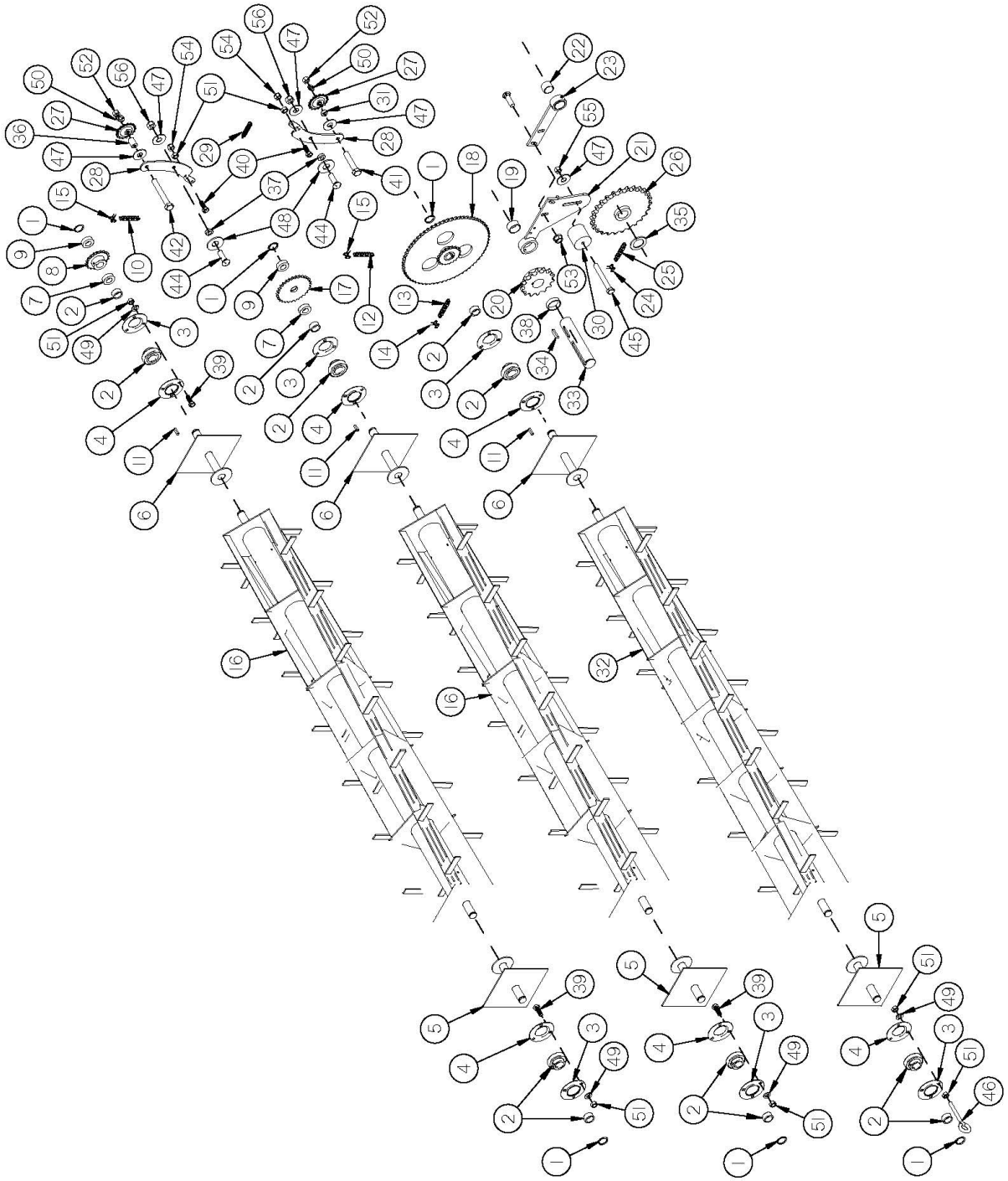


FIGURE 3

BEATERS

| <u>ITEM</u> | <u>QTY</u> | <u>PART #</u> | <u>DESCRIPTION</u> |
|-------------|------------|---------------|--|
| 1 | 6 | F73 | SNAP RING |
| 2 | 12 | 12N122 | BEARING AND LOCK COLLAR |
| 3 | 6 | F114 | BEARING FLANGE W/ZERK |
| 4 | 6 | F14 | BEARING FLANGE |
| 5 | 3 | S23 | LEFT BEATER STUB SHAFT |
| 6 | 3 | S24 | RIGHT BEATER STUB SHAFT |
| 7 | 2 | S218 | 3/8" SPACER |
| 8 | 1 | S26 | 3RD BEATER SPROCKET 20 TOOTH |
| 9 | 1 | S219 | 1/4" SPACER |
| 10 | 1 | X58 | 2ND TO 3RD BEATER CHAIN (89 PITCHES X #50) |
| 11 | 3 | G23B | 5/16" X 1-3/8" SQUARE KEY |
| 12 | 1 | S31 | 1ST TO 2ND BEATER CHAIN (98 PITCHES X #50) |
| 13 | 1 | SD14 | BEATER DRIVE CHAIN (85 PITCHES X #60) |
| 14 | 1 | X61 | # 50 CONNECTOR LINK |
| 15 | 2 | D39 | # 60 CONNECTOR LINK |
| 16 | 2 | S25 | BEATER |
| 17 | 1 | S30 | 2ND BEATER SPROCKET (30 TO 13 TOOTH) |
| 18 | 1 | SD15 | 1ST BEATER SPROCKET (20 TO 65 TOOTH) |
| 19 | 1 | SD16 | BUSHING (2-1/4" OD X 2" ID X 1.125") |
| 20 | 1 | SD17 | WORM SHAFT SPROCKET (100-B-14) |
| 21 | 1 | SD18 | WORM SHAFT BRACE |
| 22 | 1 | S44 | BUSHING (2" OD X 1-3/4" ID X 1.125") |
| 23 | 1 | SD19 | DRIVE SHAFT BRACE |
| 24 | 1 | 33SV77 | # 100 CONNECTOR LINK |
| 25 | 1 | SD20 | DRIVE CHAIN (#100 X 47 PITCH) |
| 26 | 1 | SD23 | CLUTCH ASSEMBLY SPROCKET |
| 27 | 2 | K101 | SPROCKET 17 TOOTH |
| 28 | 1 | SD77 | TIGHTENER BAR |

FIGURE 3

BEATERS

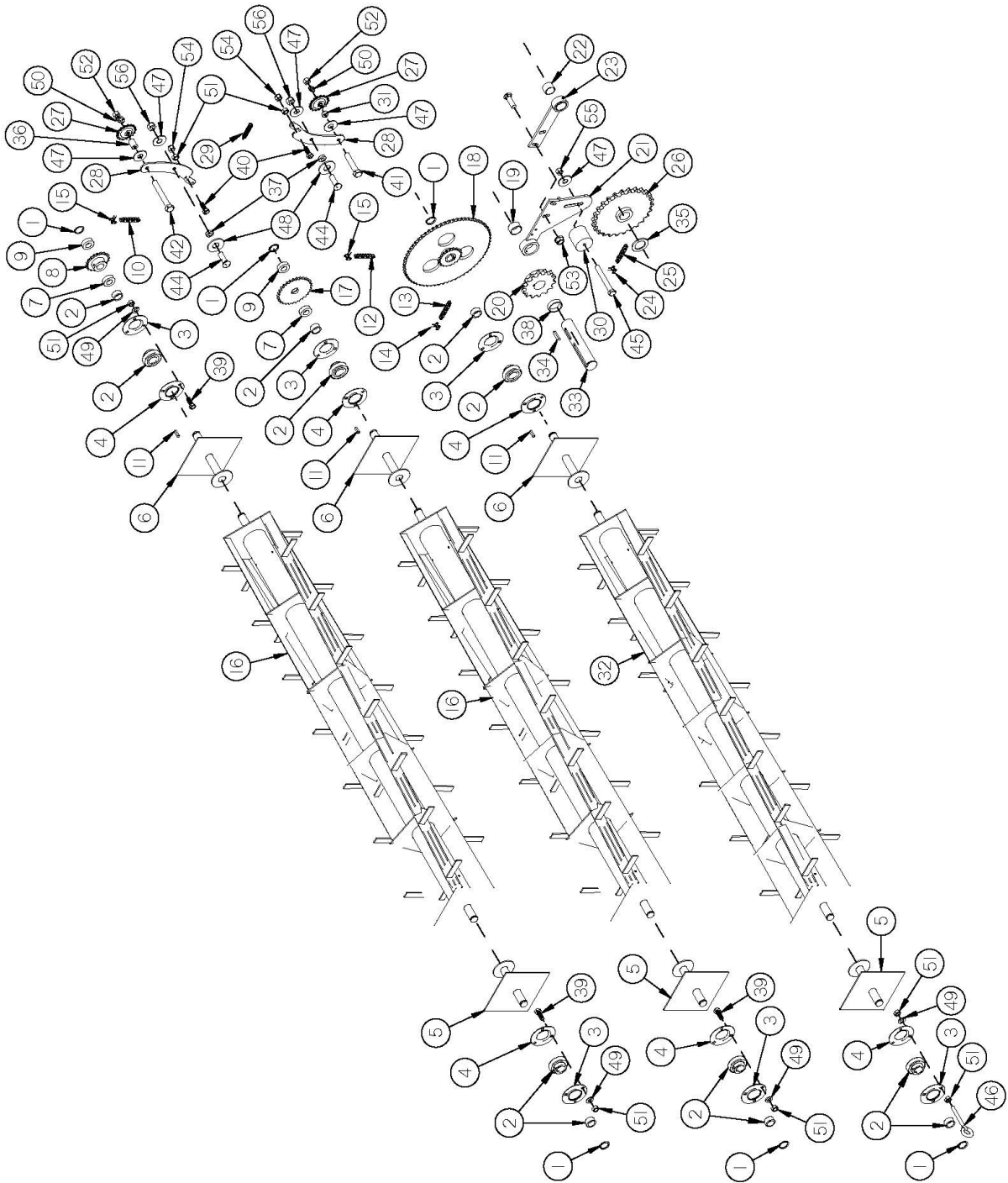


FIGURE 3

BEATERS

| <u>ITEM</u> | <u>QTY</u> | <u>PART#</u> | <u>DESCRIPTION</u> |
|-------------|------------|--------------|--|
| 29 | 1 | R27 | SPRING |
| 30 | 1 | SD84 | POLY TIGHTENER |
| 31 | 1 | SD88 | TENSIONER SPACER |
| 32 | 1 | SD107 | 1ST BEATER (5 CROSSES) |
| 33 | 1 | SD89 | OUTPUT SHAFT (A110) |
| 34 | 1 | G139 | 3/8" X 1-1/2" SQUARE KEY HARDENED |
| 35 | 1 | S36 | DRIVE SHAFT SPACER |
| 36 | 1 | SD212 | TENSIONER SPACER |
| 37 | 2 | SD177 | SPACER |
| 38 | 1 | SDPI07 | OUTPUT SHAFT SPACER |
| 39 | 17 | YBHH12010 | BOLT, 3/8" X 1" GR. 5 |
| 40 | 2 | YBHH12035 | BOLT, 3/8" X 1-1/4" GR. 5 |
| 41 | 1 | YBHH16080 | BOLT, 1/2" X 2-1/2" GR. 5 |
| 42 | 1 | YBHH16115 | BOLT, 1/2" X 3-1/2" GR. 5 |
| 43 | 2 | YBCR16015 | CARR. BOLT, 1/2" X 1-1/4" GR. 5 |
| 44 | 2 | YBCR16010 | CARR. BOLT, 1/2" X 1-1/2" GR. 5 |
| 45 | 1 | YBCR16045 | CARR. BOLT, 1/2" X 4" GR. 5 |
| 46 | 1 | YBTE12015 | TURNED EYE BOLT, 3/8" X 2-1/2" |
| 47 | 5 | YWFL16005 | WASHER, FLAT, 1/2" USS |
| 48 | 2 | YWFL24005 | WASHER, FLAT, 3/4" USS |
| 49 | 18 | YWLO12005 | WASHER, LOCK, 3/8" |
| 50 | 2 | YWLO16005 | WASHER, LOCK, 1/2" |
| 51 | 21 | YNHX12005 | HEX NUT, 3/8"-16 |
| 52 | 2 | YNHX16005 | HEX NUT, 1/2" |
| 53 | 2 | YNFG16005 | HEX NUT, FLANGED-LOCK, 1/2"-13 |
| 54 | 2 | YNNY12005 | HEX NUT, NYLON LOCKNUT, 3/8" |
| 55 | 1 | YNRL16005 | HEX NUT, REVERSIBLE-SIDE LOCK, 1/2"-13 |
| 56 | 2 | YNTL16005 | HEX NUT, TOP LOCK, 1/2"-13 |

FIGURE 4

APRON DRIVE

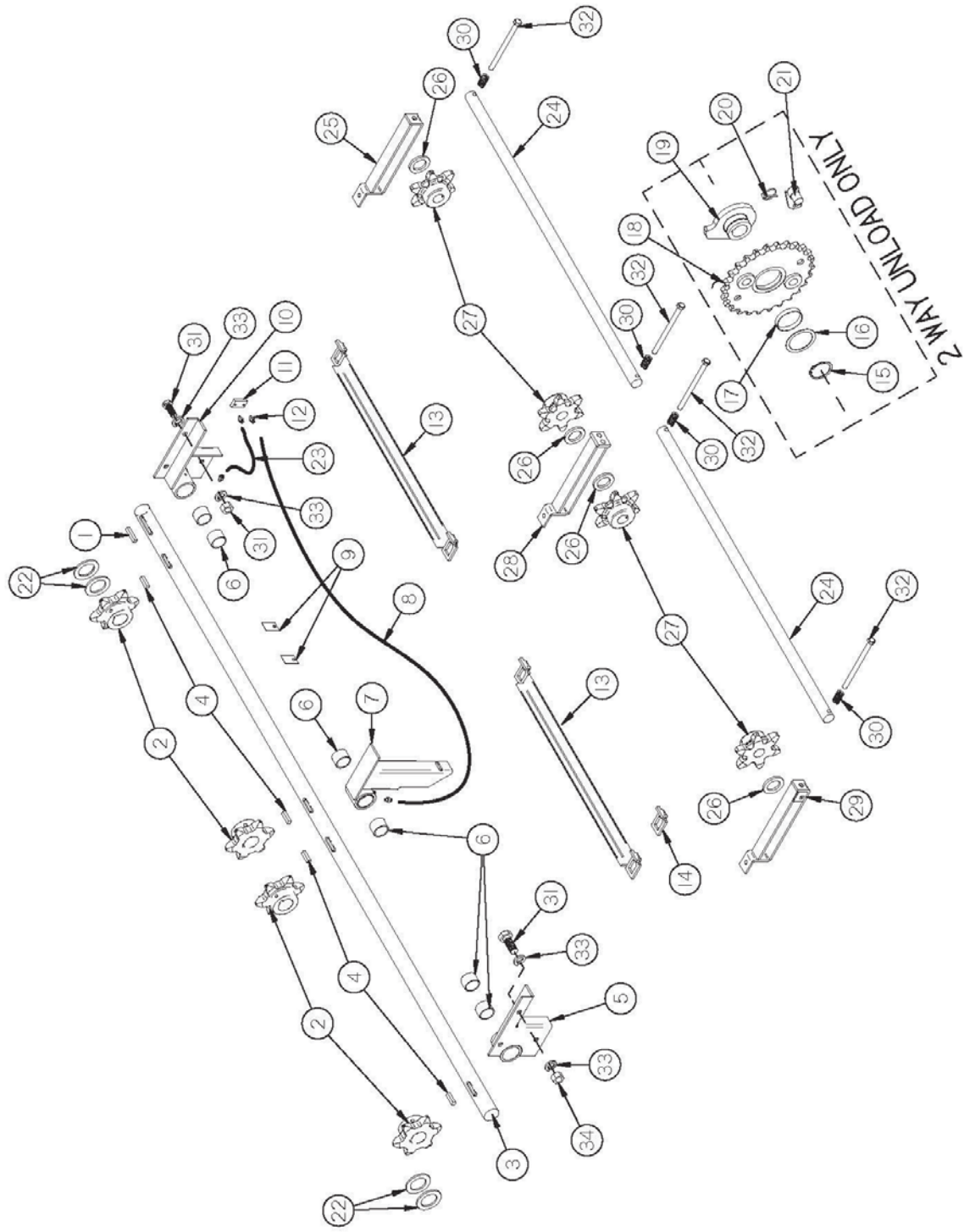


FIGURE 4

APRON DRIVE

| <u>ITEM</u> | <u>QTY</u> | <u>PART #</u> | <u>DESCRIPTION</u> |
|---|------------|---------------|--|
| 1 | 1 | S38 | KEY, 3/8" X 2-3/8" SQUARE |
| 2 | 4 | SD213 | APRON DRIVE SHAFT SPROCKET |
| 3 | 1 | SD22 | DRIVE SHAFT |
| 4 | 4 | 56N174 | 3/8" X 2" SQUARE KEY W/ROUND ENDS (HARDENED) |
| 5 | 1 | S51 | LEFT DRIVE SHAFT BRACKET |
| 6 | 6 | S50 | DRIVE SHAFT BUSHING (2" OD X 1-3/4" ID X 1.125") |
| 7 | 1 | S53 | CENTER BEARING BRACKET |
| 8 | 1 | S49 | GREASE LINE (LONG) |
| 9 | 2 | S67 | GREASE LINE CLIP |
| 10 | 1 | S52 | RIGHT DRIVE SHAFT BRACKET |
| 11 | 1 | S46 | GREASE LINE BRACKET |
| 12 | 4 | S47 | GREASE LINE FITTING |
| 13 | 1 | S233 | 667XH PINTLE SLAT/ATTACHMENT LINKS |
| * | 1 | S54 | T-ROD SLAT W/ATTACHMENT LINKS |
| 14 | 1 | 11S50 | 667XH PINTLE ATTACHMENT LINK (R OR L) |
| * | 1 | S55 | T-ROD ATTACHMENT LINK (R OR L) |
| <u>COMPLETE APRON FOR FRONT UNLOAD</u> | | | |
| * | 1 | S57 | T-ROD APRON 14' |
| * | 1 | S230 | 667H PINTLE APRON 14' |
| * | 1 | S58 | T-ROD APRON 16' |
| * | 1 | S231 | 667H PINTLE APRON 16' |
| * | 1 | S59 | T-ROD APRON 18' |
| * | 1 | S32 | 667H PINTLE APRON 18' |
| * | 1 | S422 | T-ROD APRON 20' |
| * | 1 | S432 | 667H PINTLE APRON 20' |

NOTE: * MEANS NOT SHOWN

FIGURE 4
APRON DRIVE

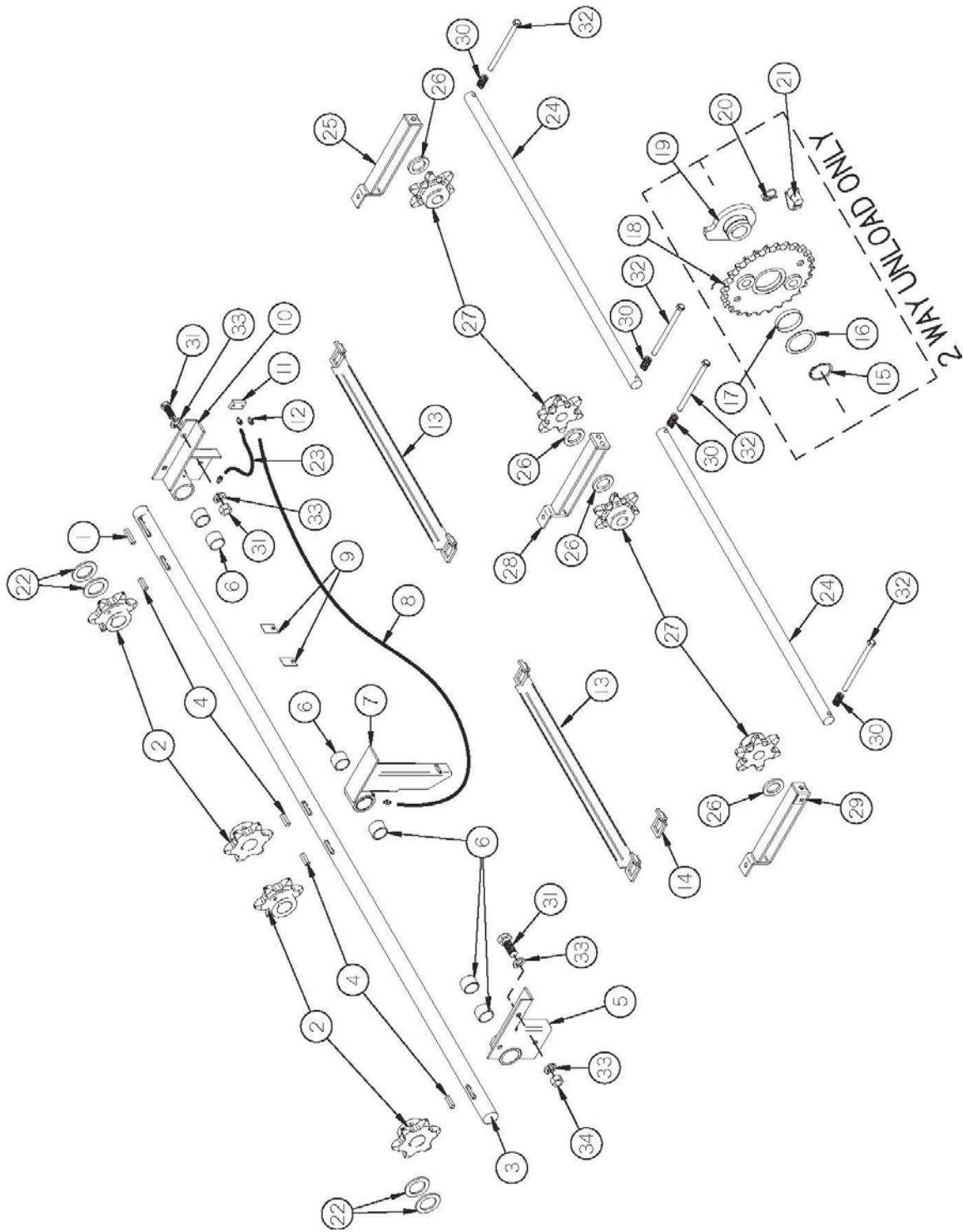


FIGURE 4

APRON DRIVE

| <u>ITEM</u> | <u>QTY</u> | <u>PART#</u> | <u>DESCRIPTION</u> |
|-------------|------------|--------------|---|
| 15 | 1 | SD202 | SNAP RING (5100-300) |
| 16 | 1 | SD203 | CLUTCH SPROCKET WASHER |
| 17 | 1 | SD204 | BRONZE BUSHING (3-1/4"OD X 3"ID X 1/2") |
| 18 | 1 | SD23 | DRIVE SHAFT SPROCKET (100-A-26) |
| 19 | 1 | SD205 | FRONT CLUTCH DOG |
| 20 | 1 | PB190 | LYNCH PIN |
| 21 | 1 | PB191 | CLUTCH DOG |
| 22 | 4 | S36 | DRIVE SHAFT SPACER |
| 23 | 1 | S48 | GREASE LINE |
| 24 | 1 | S63 | IDLER SHAFT |
| 25 | 1 | S65 | RIGHT HAND REAR IDLER BRACKET |
| 26 | 4 | S61 | IDLER SPACER |
| 27 | 4 | S60 | IDLER SPROCKET |
| 28 | 1 | S64 | CENTER IDLER BRACKET |
| 29 | 1 | S62 | LEFT HAND REAR IDLER BRACKET |
| 30 | 4 | WM210 | SPRING - RED |
| 31 | 6 | YBHH16045 | BOLT, 1/2" X 1-1/4" GR. 5 |
| 32 | 4 | YBHH16190 | BOLT, 1/2" X 9-1/2" GR. 5 |
| 33 | 12 | YWLO16005 | WASHER, LOCK, 1/2" |
| 34 | 6 | YNHX16005 | HEX NUT, 1/2" |

COMPLETE APRON FOR FRONT & REAR UNLOAD

| | | | |
|---|---|------|-----------------------|
| * | 1 | S324 | 667H PINTLE APRON 16' |
| * | 1 | S325 | 667H PINTLE APRON 18' |
| * | 1 | S326 | 667H PINTLE APRON 20' |

NOTE: * MEANS NOT SHOWN

FIGURE 5
CROSS APRON DRIVE

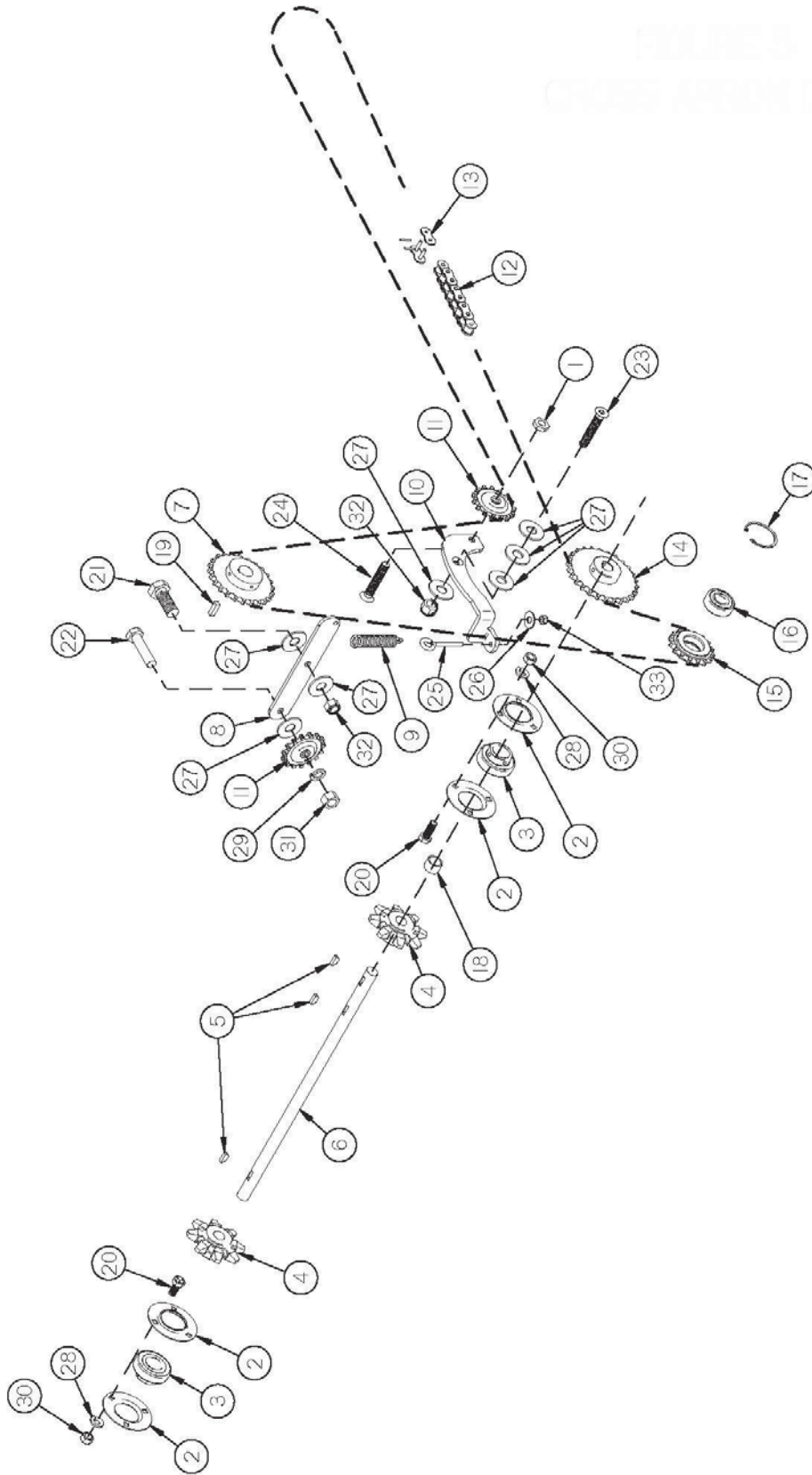


FIGURE 5

CROSS APRON DRIVE

| <u>ITEM</u> | <u>QTY</u> | <u>PART #</u> | <u>DESCRIPTION</u> |
|-------------|------------|---------------|---|
| 1 | 1 | YNTJ16005 | HEX NUT, TOP LOCK, JAM, 1/2"-13 |
| 2 | 4 | 4C7 | BEARING FLANGE |
| 3 | 2 | 4C8 | BEARING |
| 4 | 2 | L10R24 | 8 TOOTH SPROCKET |
| 5 | 3 | 5B10 | 1/4" X 1" WOODRUFF KEY |
| 6 | 1 | SD24 | CROSS APRON DRIVE SHAFT |
| 7 | 1 | SD25 | SPROCKET (60-B-24) |
| 8 | 1 | SD87 | PRIMARY TIGHTENER BAR |
| 9 | 1 | ST36 | SPRING |
| 10 | 1 | SD91 | CHAIN TIGHTENER PRIMARY |
| 11 | 2 | 12N42 | 15 TOOTH IDLER SPROCKET |
| 12 | 1 | SD26 | # 60 CHAIN X 161 PITCH |
| 13 | 1 | D39 | # 60 CONNECTOR LINK |
| 14 | 1 | SD27 | CROSS APRON DRIVE SPROCKET (60-B-26) |
| 15 | 1 | SD28 | IDLER SPROCKET (60-C-16) |
| 16 | 1 | SD263 | BEARING |
| 17 | 1 | K92 | SNAP RING |
| 18 | 1 | SD210 | APRON SPROCKET SPACER |
| 19 | 1 | WM121 | KEY 5/16" X 1" (SQUARE) |
| 20 | 6 | YBHH12135 | BOLT, 3/8" X 3/4" GR. 5 |
| 21 | 1 | YBHH16045 | BOLT, 1/2" X 1-1/4" GR. 5 |
| 22 | 1 | YBHH16065 | BOLT, 1/2" X 2" GR. 5 |
| 23 | 1 | YSFS16025 | FLAT HEAD SOCKET CAP SCREW, 1/2" X 2" |
| 24 | 1 | YSFS16035 | FLAT HEAD SOCKET CAP SCREW, 1/2" X 2-1/4" |
| 25 | 1 | YBTE10015 | TURNUED EYE BOLT, 5/16" X 2-1/2" |
| 26 | 1 | YWFL10005 | WASHER, FLAT, 5/16" USS |
| 27 | 7 | S247 | EXTENSION WASHER |
| 28 | 6 | YWLO12005 | WASHER, LOCK, 3/8" |
| 29 | 1 | YWLO16005 | WASHER, LOCK, 1/2" |
| 30 | 6 | YNHX12005 | HEX NUT, 3/8"-16 |
| 31 | 1 | YNHX16005 | HEX NUT, 1/2" |
| 32 | 6 | YNNY16005 | HEX NUT, NYLON LOCKNUT, 1/2" |
| 33 | 1 | YNTL10005 | HEX NUT, TOP LOCK, 5/16"-18 |

FIGURE 6

EXTENSION 12"

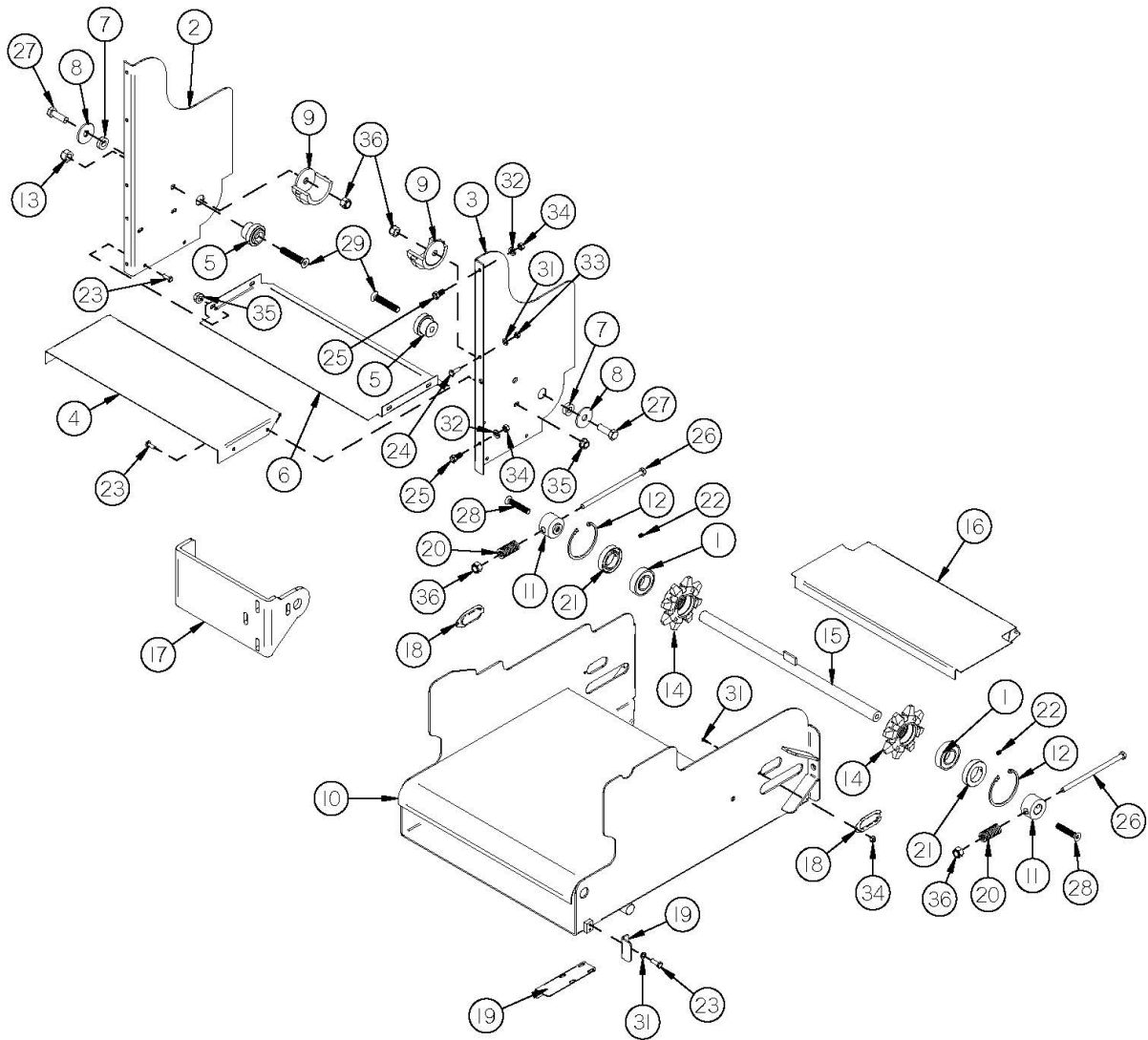


FIGURE 6

EXTENSION

| <u>ITEM</u> | <u>QTY</u> | <u>PART #</u> | <u>DESCRIPTION</u> |
|-------------|------------|---------------|---|
| 1 | 2 | SD263 | BEARING |
| 2 | 1 | SD172 | EXTENSION BACK PANEL |
| 3 | 1 | SD173 | EXTENSION FRONT PANEL |
| 4 | 1 | SD174 | PAN EXTENSION |
| 5 | 2 | SD175 | CHAIN ROLLER HOLD-DOWN |
| 6 | 1 | SD176 | RETURN PAN EXTENSION |
| 7 | 2 | SD177 | SHELL SPACER |
| 8 | 2 | S247 | EXTENSION WASHER |
| 9 | 2 | S245 | CHAIN SLIDE |
| 10 | 1 | SD261 | EXTENSION SHELL LONG |
| 11 | 2 | SD313 | TIGHTENER |
| 12 | 2 | SD262 | SNAP RING (Arcon IN206) |
| 13 | 2 | YNTL16005 | HEX NUT, TOP LOCK, 1/2"-13 |
| 14 | 2 | SD180 | 8 TOOTH SPROCKET |
| 15 | 1 | SD314 | APRON IDLER SHAFT |
| 16 | 1 | SD182 | CHAIN SLIDE |
| 17 | 1 | SD248 | CYLINDER MOUNT TOP |
| 18 | 2 | SD186 | COVER |
| 19 | 1 | SD249 | LIMIT SWITCH PAD |
| 20 | 2 | WM210 | SPRING (RED) |
| 21 | 1 | S312 | BEARING SHIELD |
| * | 1 | SD306 | CROSS CONVEYOR (31 LINKS) |
| * | 1 | SD311 | CROSS CONVEYOR (S89 W/ SD306) |
| * | 1 | K121 | CONNECTOR LINK |
| * | 2 | SD89 | CROSS CONVEYOR (123 LINKS) |
| 22 | 2 | YSKP08010 | SET SCREW, SOCKET, KNURLED CUP PT, 1/4"-20 X 1/2" |
| 23 | 8 | YBHH08015 | BOLT, 1/4" X 1/2" GR. 5 |
| 24 | 5 | YBHH08100 | BOLT, 1/4" X 3/4" GR. 5 |
| 25 | 4 | YBHH10105 | BOLT, 5/16" X 3/4" GR. 5 |
| 26 | 2 | YBHH16180 | BOLT, 1/2" X 7" GR. 5 |
| 27 | 2 | YBHH16030 | BOLT, 1/2" X 1-1/2" GR. 5 |
| 28 | 2 | YSFS16015 | FLAT HEAD SOCKET CAP SCREW, 1/2" X 1-1/4" |
| 29 | 2 | YSFS16030 | FLAT HEAD SOCKET CAP SCREW, 1/2" X 2-1/2" |
| 30 | 2 | YSTM08004 | SLOTTED TRUSS HEAD ZINC MACHINE SCREW, 1/4"-20 x 3/4" |
| 31 | 5 | YWLO08005 | WASHER, LOCK, 1/4" |
| 32 | 4 | YWLO10005 | WASHER, LOCK, 5/16" |
| 33 | 7 | YNHX08005 | HEX NUT, 1/4"-20 |
| 34 | 4 | YNHX10005 | HEX NUT, 5/16" |
| 35 | 8 | YNFG08005 | HEX NUT, FLANGED-LOCK, 1/4" |
| 36 | 6 | YNNY16005 | HEX NUT, NYLON LOCKNUT, 1/2" |

NOTE: * MEANS NOT SHOWN

FIGURE 7

HYDRAULIC DRIVE

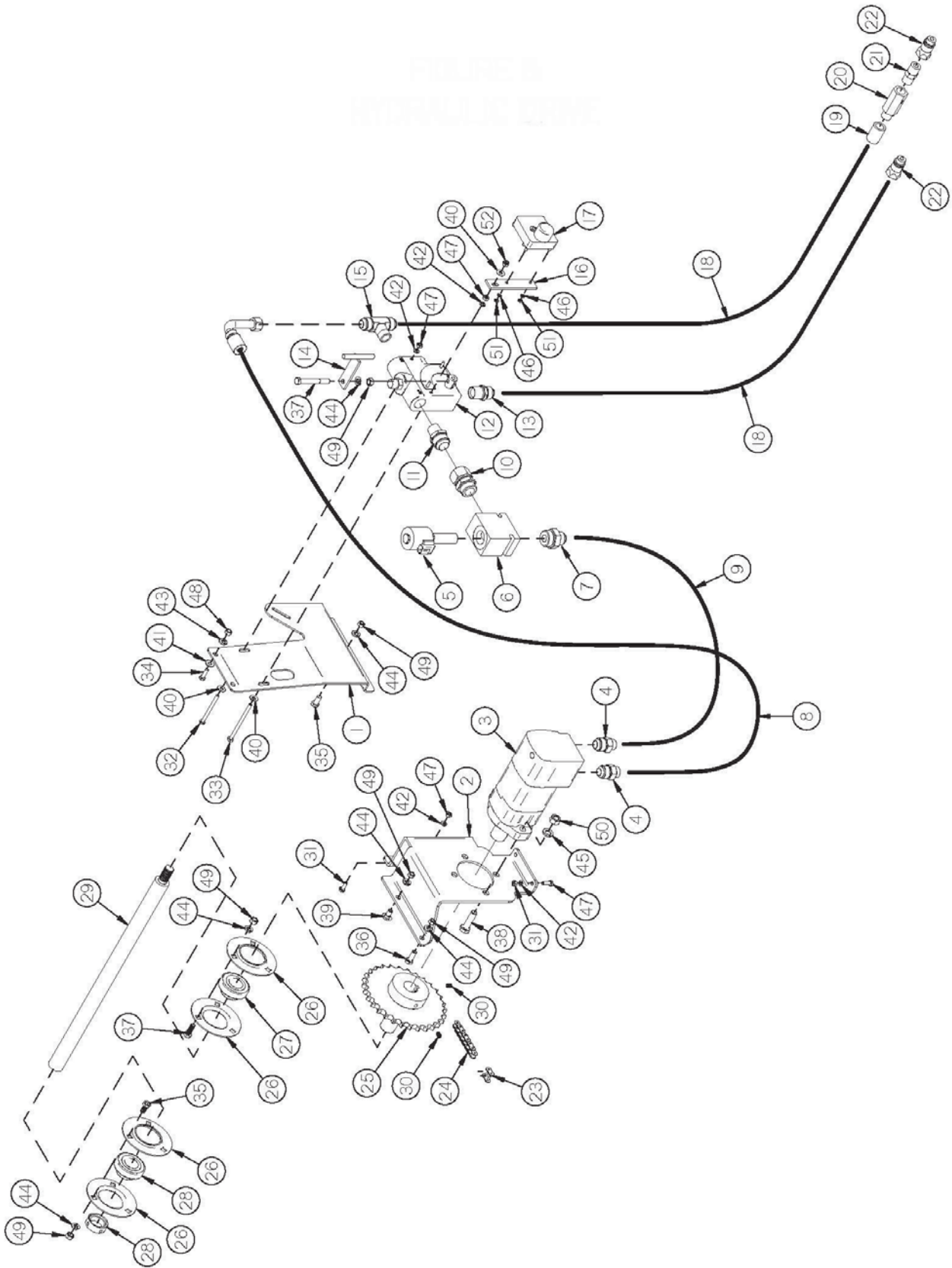


FIGURE 7

HYDRAULIC DRIVE

| <u>ITEM</u> | <u>QTY</u> | <u>PART #</u> | <u>DESCRIPTION</u> |
|-------------|------------|---------------|--|
| 1 | 1 | 018110G03 | FLOW CONTROL SAFETY MOUNT |
| 2 | 1 | SD195 | MOTOR MOUNT |
| 3 | 1 | 16SV150 | HYDRAULIC MOTOR |
| * | 1 | SD289 | 5/16" X 1-1/4" SQUARE KEY (HARDENED) |
| 4 | 2 | GM57 | 10-F50X-S FITTING |
| 5 | 1 | 8586 | ACCUMULATOR SHUT OFF COIL |
| 6 | 1 | 8724 | ACCUMULATOR SHUT OFF BLOCK |
| 7 | 1 | 8722 | 12-16 F50X-S ADAPTER |
| 8 | 1 | SDHMS05 | MOTOR RETURN HOSE |
| 9 | 1 | SDHMS04 | CONTROLLED FLOW HYDRAULIC HOSE |
| 10 | 1 | TFM81 | STR THREAD CONNECTOR SWIVEL |
| 11 | 1 | TFM80 | NPTF/37 DEGREE FLARE |
| 12 | 1 | 33SV74 | FLOW CONTROL |
| 13 | 1 | 8725 | 12 FTX-S MALE CONNECTOR |
| 14 | 1 | 16SV242 | SPEED VALVE POINTER |
| 15 | 1 | 8723 | 12 STX-S MALE BRANCH TEE |
| 16 | 1 | 16SV245 | SPEED CONTROL MOTOR MOUNT |
| 17 | 1 | 81270 | GEAR MOTOR |
| * | 1 | 81269 | MOTOR CAP |
| 18 | 2 | SDHMS02 | HYDRAULIC HOSE |
| 19 | 1 | LW346 | 1/2" COUPLING |
| 20 | 1 | DF18 | CHECK VALVE |
| 21 | 1 | WM141 | CLOSE NIPPLE |
| 22 | 2 | DWM205 | QUICK COUPLER MALE |
| 23 | 1 | SD215 | #60 CONNECTOR LINK |
| 24 | 1 | SD214 | #60x 166 PITCH CHAIN |
| 25 | 1 | SD196 | MOTOR SPROCKET |
| 26 | 4 | F14 | BEARING FLANGE |
| 27 | 1 | SD316 | BEARING (FHS206-20G) |
| 28 | 1 | 12N122 | BEARING (GREASEABLE TYPE) WITH LOCK COLLAR |

NOTE: * MEANS NOT SHOWN

FIGURE 7
HYDRAULIC DRIVE

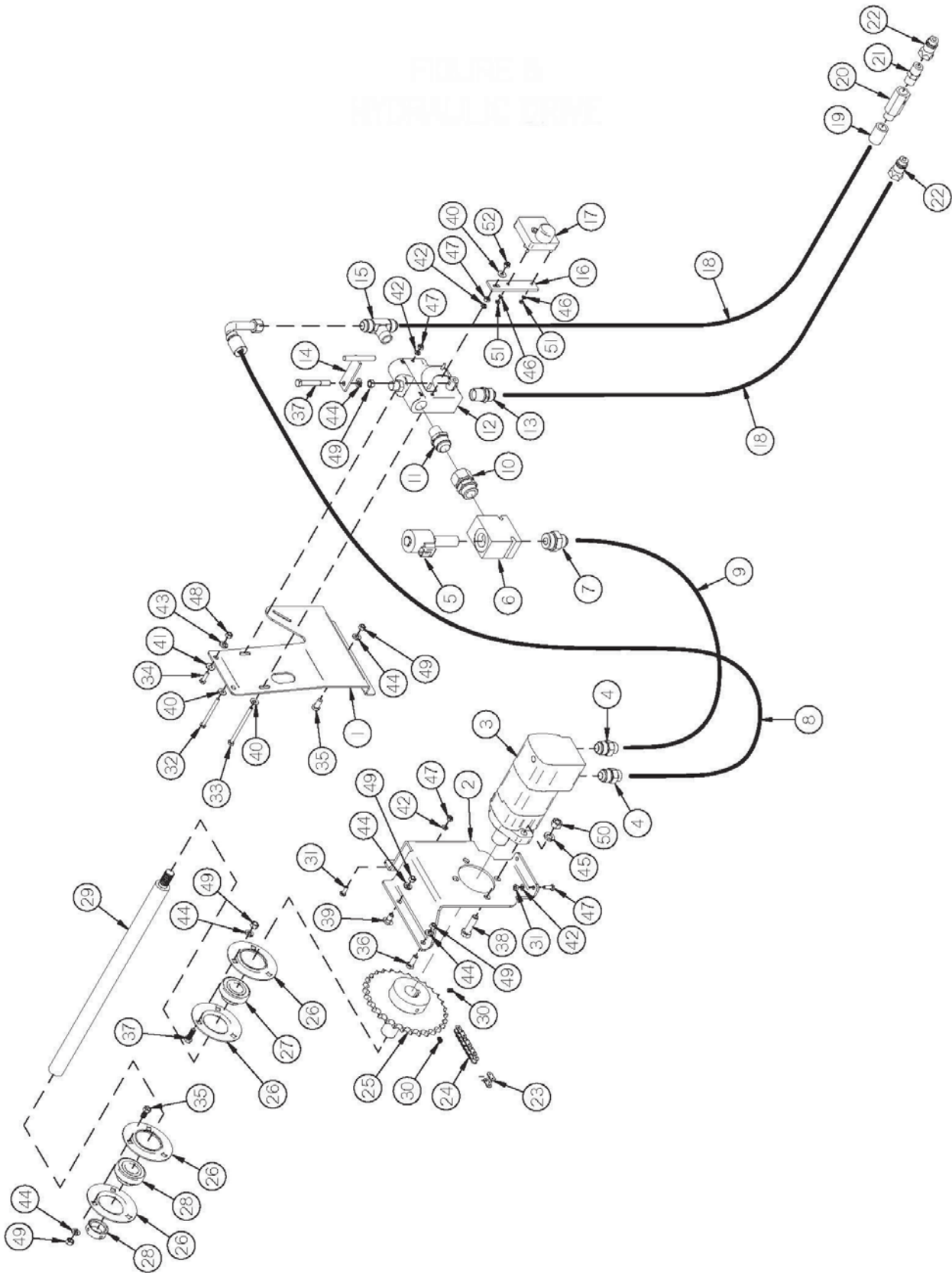


FIGURE 7

HYDRAULIC DRIVE

| <u>ITEM</u> | <u>QTY</u> | <u>PART#</u> | <u>DESCRIPTION</u> |
|-------------|------------|--------------|---|
| 29 | 1 | SD201 | MOTOR SPROCKET SHAFT |
| 30 | 1 | YSKP10005 | SET SCREW, SOCKET, KNURLED CUP PT, 5/16" X 1/2" |
| 31 | 1 | YBHH08100 | BOLT, 1/4" X 3/4" GR. 5 |
| 32 | 1 | YBHH08055 | BOLT, 1/4" X 2-1/2" GR. 5 |
| 33 | 1 | YBHH08116 | BOLT, 1/4" X 4" GR. 8 FULL THREAD |
| 34 | 2 | YBHH10105 | BOLT, 5/16" X 3/4" GR. 5 |
| 35 | 4 | YBHH12135 | BOLT, 3/8" X 3/4" GR. 5 |
| 36 | 4 | YBHH12010 | BOLT, 3/8" X 1" GR. 5 |
| 37 | 1 | YBHH12120 | BOLT, 3/8" X 3" GR. 5 |
| 38 | 2 | YBHH16055 | BOLT, 1/2" X 1-3/4" GR. 5 |
| 39 | 1 | YBCR12010 | CARR. BOLT, 3/8" X 1" GR. 5 |
| 40 | 3 | YWFL08005 | WASHER, FLAT, 1/4" USS |
| 41 | 2 | YWFL10005 | WASHER, FLAT, 5/16" USS |
| 42 | 3 | YWLO08005 | WASHER, LOCK, 1/4" |
| 43 | 2 | YWLO10005 | WASHER, LOCK, 5/16" |
| 44 | 10 | YWLO12005 | WASHER, LOCK, 3/8" |
| 45 | 2 | YWLO16005 | WASHER, LOCK, 1/2" |
| 46 | 2 | YWSI62005 | #8 ZINC EXT LOCK WASHER |
| 47 | 3 | YNHX08005 | HEX NUT, 1/4"-20 |
| 48 | 2 | YNHX10005 | HEX NUT, 5/16" |
| 49 | 10 | YNHX12005 | HEX NUT, 3/8"-16 |
| 50 | 2 | YNHX16005 | HEX NUT, 1/2" |
| 51 | 2 | YNHX62005 | #8-32 ZINC PLATED NUT |
| 52 | 1 | YNNY08005 | HEX NUT, NYLON LOCKNUT, 1/4"-20 |

FIGURE 8

BEATER CLUTCH

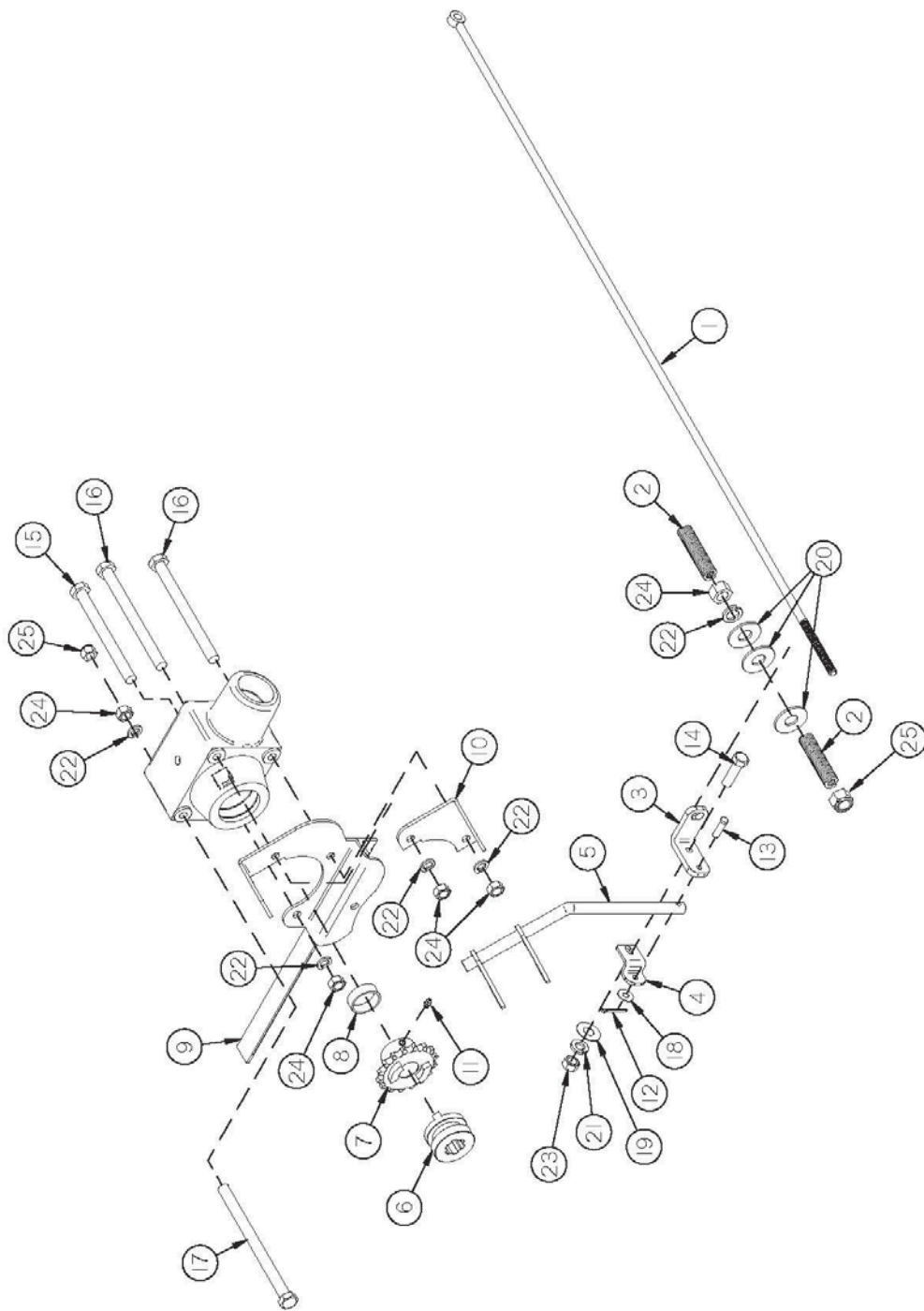


FIGURE 8

BEATER CLUTCH

| <u>ITEM</u> | <u>QTY</u> | <u>PART#</u> | <u>DESCRIPTION</u> |
|-------------|------------|--------------|--|
| 1 | 1 | SD38 | SHIFTING ROD (BEATER) |
| 2 | 2 | S111 | SPRING |
| 3 | 1 | SD94 | SHIFTER FORK END |
| 4 | 1 | SD152 | SHIFTER FORK END OFFSET |
| 5 | 1 | SD41 | SHIFTER FORK |
| 6 | 1 | SD45 | CLUTCH (SLIDING) |
| 7 | 1 | SDAS26 | BEATER CLUTCH SPROCKET |
| 8 | 1 | SD43 | BUSHING (1-5/8" OD X 1-3/8" ID X 1-5/8") |
| 9 | 1 | SD42 | CLUTCH PIVOT |
| 10 | 1 | SD40 | SHIFTER BRACKET |
| 11 | 1 | MS26 | 1/4" - 28 STRAIGHT STANDARD SHORT |
| 12 | 1 | YPCT04005 | COTTER PIN, 1/8" X 1" |
| 13 | 1 | YPCV10005 | CLEVIS PIN, 5/16" X 1-3/4" |
| 14 | 1 | YBHH12035 | BOLT, 3/8" X 1-1/4" GR. 5 |
| 15 | 1 | YBHH16160 | BOLT, 1/2" X 5-1/2" GR. 5 |
| 16 | 2 | YBHH16165 | BOLT, 1/2" X 6" GR. 5 |
| 17 | 1 | YBHH16180 | BOLT, 1/2" X 7" GR. 5 |
| 18 | 1 | YWFL10005 | WASHER, FLAT, 5/16" USS |
| 19 | 1 | YWFL12005 | WASHER, FLAT, 3/8" USS |
| 20 | 3 | YWFL16005 | WASHER, FLAT, 1/2" USS |
| 21 | 1 | YWLO12005 | WASHER, LOCK, 3/8" |
| 22 | 5 | YWLO16005 | WASHER, LOCK, 1/2" |
| 23 | 1 | YNHX12005 | HEX NUT, 3/8"-16 |
| 24 | 5 | YNHX16005 | HEX NUT, 1/2" |
| 25 | 2 | YNNY16005 | HEX NUT, NYLON LOCKNUT, 1/2" |

FIGURE 9

VARIABLE SPEED DRIVE



FIGURE 9

VARIABLE SPEED DRIVE

| <u>ITEM</u> | <u>QTY</u> | <u>PART #</u> | <u>DESCRIPTION</u> |
|-------------|------------|---------------|--|
| 1 | 1 | SD151 | FRONT PANEL BRACE |
| 2 | 1 | S364 | SHIFTER HANDLE |
| 3 | 1 | S403 | HANDLE LEVER GRIP (13104-019) |
| 4 | 1 | S360 | SPEED SELECTOR PANEL |
| 5 | 1 | 72297 | PLATE 3.75x1.25x.0598 SHIFTING PIPE BRACKET THIN |
| 6 | 1 | S290 | SHIFTER HANDLE PIPE END |
| 7 | 1 | S291 | SPRING PIN COLLAR |
| 8 | 1 | S293 | SPRING COLLAR |
| 9 | 1 | YNTL12005 | HEX NUT, TOP LOCK. 3/8" - 16 |
| 10 | 1 | K92 | SNAP RING |
| 11 | 1 | SD263 | BEARING |
| 12 | 1 | SD39 | SHIFTING PIPE (APRON) |
| 13 | 1 | F82 | CLEVIS PIN |
| 14 | 1 | F81 | CLEVIS |
| 15 | 1 | SD108 | 5/8" CLEVIS MOUNT |
| 16 | 4 | SD56 | PULLEY KEY (BRASS) |
| 17 | 5 | SD153 | SNAP RING 2" (N5100-200) |
| 18 | 1 | SD46 | ROUND HUB |
| 19 | 2 | SD58 | VARIABLE SPEED PULLEY |
| 20 | 1 | S108 | VARIABLE SPEED BELT |
| 21 | 2 | SD47 | VARIABLE SPEED PULLEY A |
| 22 | 2 | SD93 | O-RING 2" ID |
| 23 | 1 | SD92 | SHIFTER HOLDER |
| 24 | 1 | SD154 | SHIFTER YOKE RIGHT |
| 25 | 3 | YNNY12005 | HEX NUT, NYLON LOCKNUT, 3/8" |
| 26 | 1 | SD52 | SHIFTING BRACKET |
| 27 | 1 | SD51 | BEARING SPACER |
| 28 | 1 | SD50 | BEARING (600-2RS) |
| 29 | 1 | SD155 | CLEVIS 1/4-28 |
| 30 | 1 | SD156 | READY ROD |
| 31 | 1 | SD157 | SPRING PIVOT |
| 32 | 1 | SD159 | SPRING (BLUE D1110) |
| 33 | 1 | S104 | SHIFTING LINKAGE |
| 34 | 1 | SD160 | SHIFTING LINKAGE |

FIGURE 9

VARIABLE SPEED DRIVE

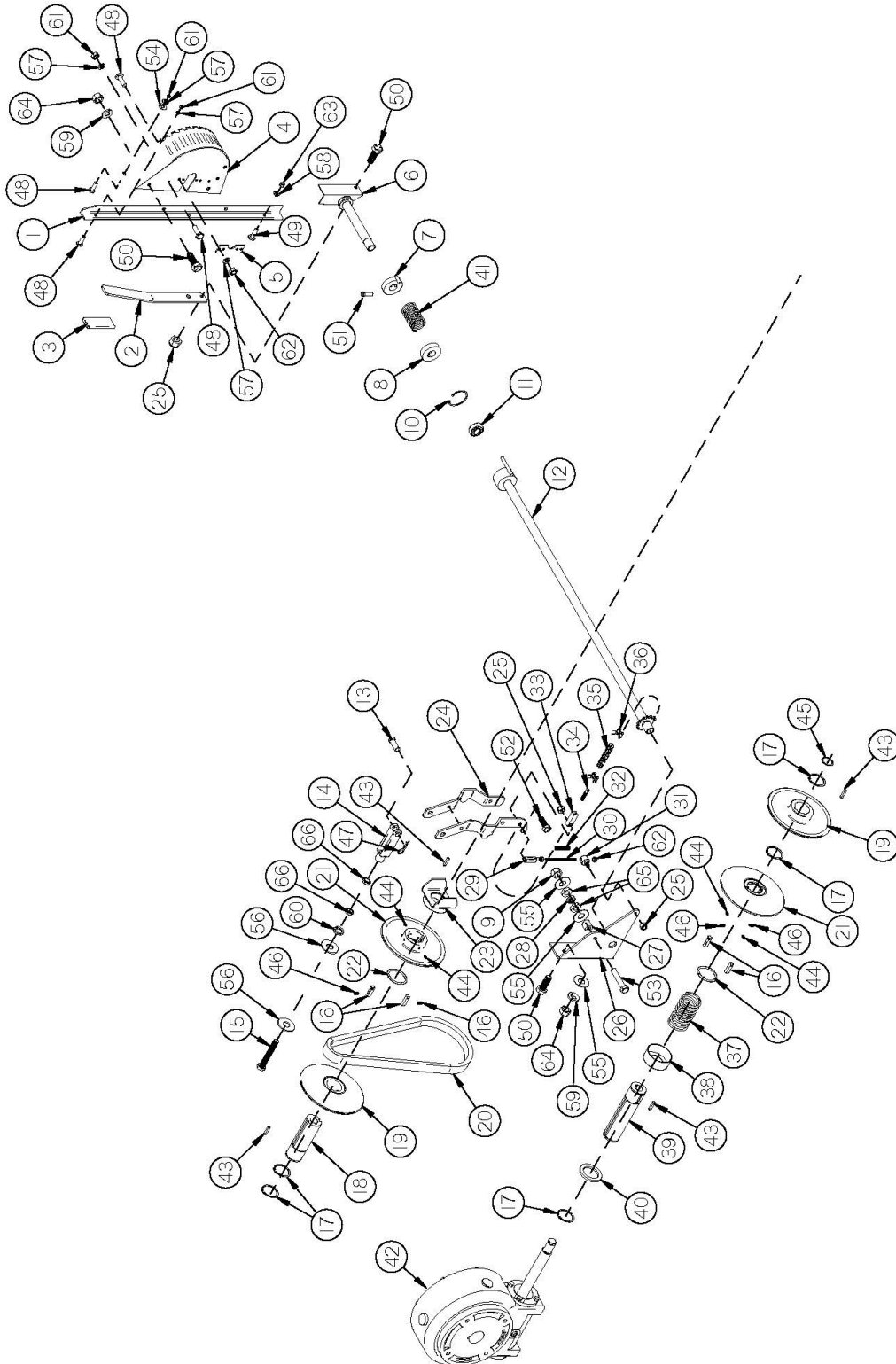


FIGURE 9

VARIABLE SPEED DRIVE

| <u>ITEM</u> | <u>QTY</u> | <u>PART #</u> | <u>DESCRIPTION</u> |
|-------------|------------|---------------|---|
| 35 | 1 | SD53 | #40 CHAIN X 14 PITCH |
| 36 | 1 | S102 | #40 CONNECTOR LINK |
| 37 | 1 | SD60 | Spring (JN147394) |
| 38 | 1 | SD95 | SPRING COVER |
| 39 | 1 | SD54 | ROUND HUB WORM INPUT |
| 40 | 1 | SD110 | SPRING STOP |
| 41 | 1 | S292 | SPRING |
| 42 | 1 | SD140 | COMPLETE GEARBOX |
| 43 | 4 | S135 | 1/4" X 1-1/4" KEY |
| 44 | 4 | G89 | 1/4" GREASE ZERK |
| 45 | 1 | 3G21 | SNAP RING |
| 46 | 4 | YSFD12005 | SET SCREW, SOCKET, FULL DOG PT, 3/8"-16 X 3/4" |
| 47 | 1 | YPHR02005 | HAIR PIN, #21-05 (1-7/8" LONG, 3/8-7/16" SHAFT) |
| 48 | 8 | YBHH08100 | BOLT, 1/4" X 3/4" GR. 5 |
| 49 | 1 | YBHH10105 | BOLT, 5/16" X 3/4" GR. 5 |
| 50 | 8 | YBHH12010 | BOLT, 3/8" X 1" GR. 5 |
| 51 | 1 | YBHH12035 | BOLT, 3/8" X 1-1/4" GR. 5 |
| 52 | 1 | YBHH12025 | BOLT, 3/8" X 1-1/2" GR. 5 |
| 53 | 1 | YBHH12075 | BOLT, 3/8" X 2" GR. 5 |
| 54 | 1 | YWFL08005 | WASHER, FLAT, 1/4" USS |
| 55 | 4 | YWFL12005 | WASHER, FLAT, 3/8" USS |
| 56 | 2 | YWFL20005 | WASHER, FLAT, 5/8" USS |
| 57 | 8 | YWLO08005 | WASHER, LOCK, 1/4" |
| 58 | 1 | YWLO10005 | WASHER, LOCK, 5/16" |
| 59 | 6 | YWLO12005 | WASHER, LOCK, 3/8" |
| 60 | 1 | YWLO20005 | WASHER, LOCK, 5/8" |
| 61 | 8 | YNHX08005 | HEX NUT, 1/4"-20 |
| 62 | 3 | YNHX08006 | HEX NUT, 1/4"-28 |
| 63 | 1 | YNHX10005 | HEX NUT, 5/16" |
| 64 | 6 | YNHX12005 | HEX NUT, 3/8"-16 |
| 65 | 2 | YNJM12005 | HEX NUT, JAM, 3/8"-16 |
| 66 | 2 | YNJM20010 | HEX NUT, JAM, 5/8"-18 |

NOTE: * MEANS NOT SHOWN

FIGURE 10
SHIELDS

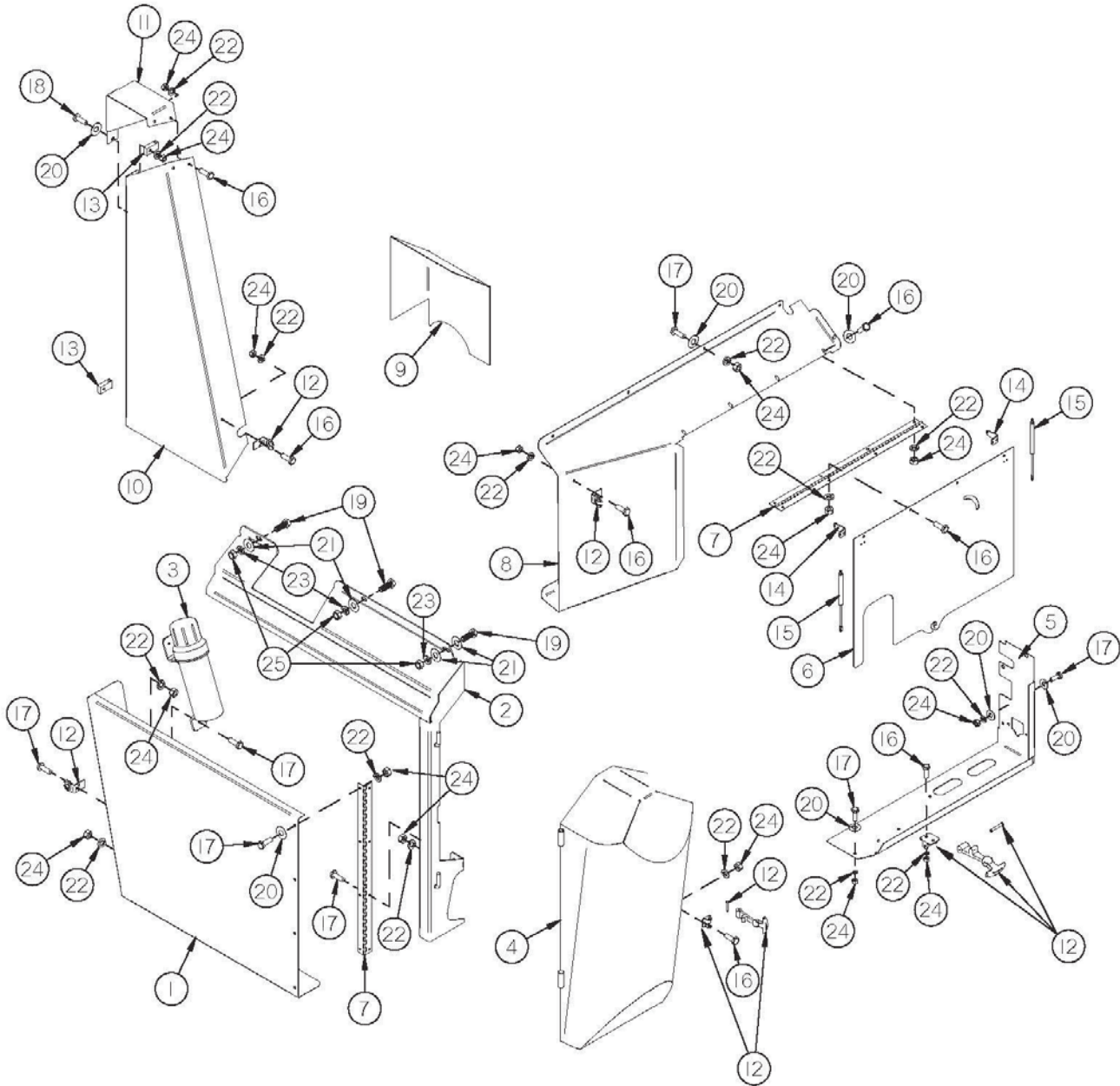


FIGURE 10

SHIELDS

| <u>ITEM</u> | <u>QTY</u> | <u>PART #</u> | <u>DESCRIPTION</u> |
|-------------|------------|---------------|---------------------------|
| 1 | 1 | SD106 | MAIN SIDE SHIELD LOWER |
| 2 | 1 | SD161 | HINGE BAR |
| 3 | 1 | S522 | MANUAL HOLDER |
| 4 | 1 | SD162 | FRONT CORNER ROUND SHIELD |
| 5 | 1 | SD192 | FRONT SHIELD BOTTOM |
| 6 | 1 | SD191 | FRONT SHIELD FACE |
| 7 | 2 | SD165 | CONTINUOUS HINGE |
| 8 | 1 | SD166 | FRONT SHIELD |
| 9 | 1 | SD111 | GEARBOX SHIELD |
| 10 | 1 | SD167 | SIDE SHIELD TOP |
| 11 | 1 | SD168 | SHIELD TOP |
| 12 | 9 | X233 | COMPLETE LATCH |
| 13 | 2 | SD169 | LIFT-OFF HINGE |
| 14 | 2 | SD189 | STRUT TOP MOUNT |
| 15 | 2 | SD190 | GAS STRUT |
| 16 | 14 | YBHH08015 | BOLT, 1/4" X 1/2" GR. 5 |
| 17 | 18 | YBHH08100 | BOLT, 1/4" X 3/4" GR. 5 |
| 18 | 2 | YBHH08010 | BOLT, 1/4" X 1" GR. 5 |
| 19 | 3 | YBHH12010 | BOLT, 3/8" X 1" GR. 5 |
| 20 | 17 | YWFL08005 | WASHER, FLAT, 1/4" USS |
| 21 | 3 | YWFL12005 | WASHER, FLAT, 3/8" USS |
| 22 | 34 | YWLO08005 | WASHER, LOCK, 1/4" |
| 23 | 3 | YWLO12005 | WASHER, LOCK, 3/8" |
| 24 | 34 | YNHX08005 | HEX NUT, 1/4"-20 |
| 25 | 3 | YNHX12005 | HEX NUT, 3/8"-16 |

FIGURE 11
BEATER GEARBOX

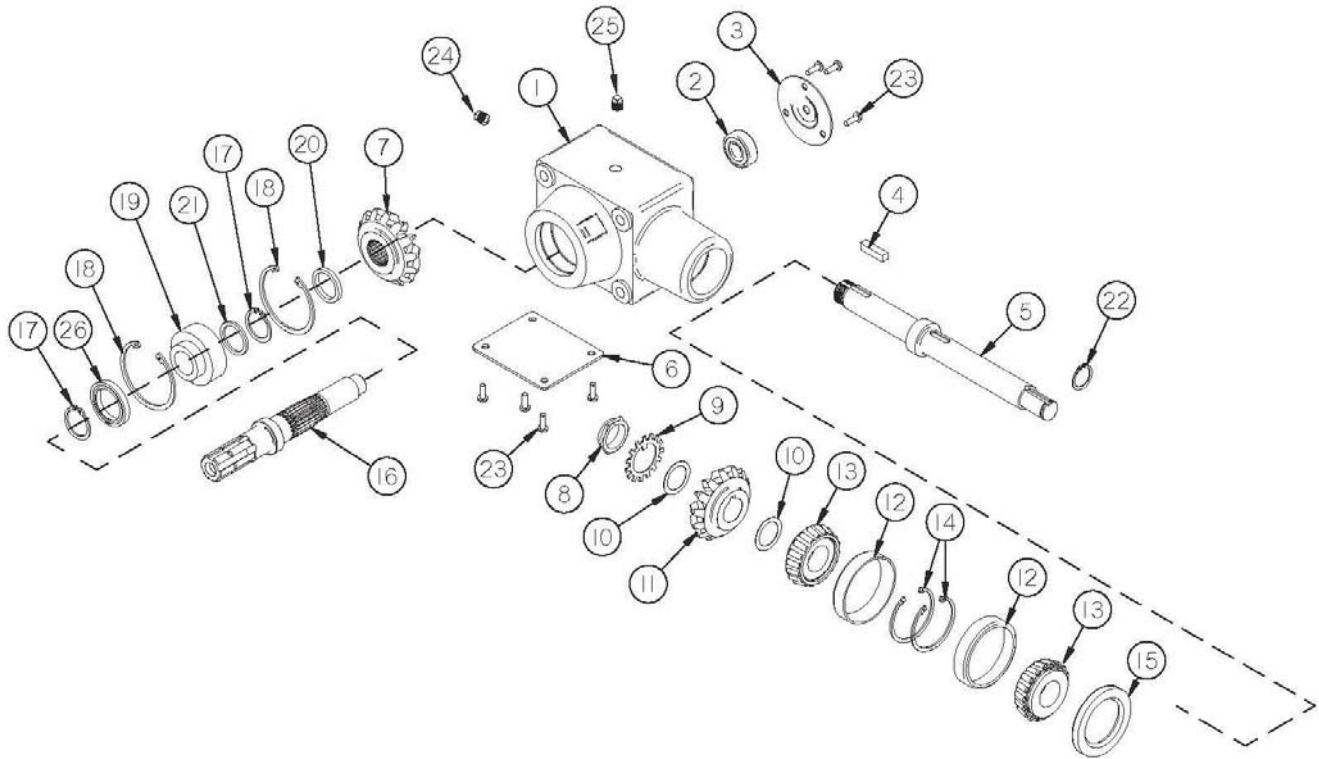


FIGURE 11

BEATER GEARBOX

| <u>ITEM</u> | <u>QTY</u> | <u>PART #</u> | <u>DESCRIPTION</u> |
|-------------|------------|---------------|----------------------------|
| 1 | 1 | SD69 | GEARBOX HOUSING |
| 2 | 1 | GM259 | BEARING (6205C3) |
| 3 | 1 | GM258 | COVER |
| 4 | 1 | GM264 | 5/16" X 1" KEY |
| 5 | 1 | SD256 | INPUT SHAFT |
| 6 | 1 | GM257 | SIDE COVER |
| 7 | 1 | GM267 | BEVEL GEAR (SPLINED) |
| 8 | 1 | GM260 | BEARING LOCK NUT (N-06) |
| 9 | 1 | GM261 | BEARING LOCK WASHER (W-06) |
| 10 | 2 | GM262 | INPUT SHIM |
| 11 | 1 | GM263 | BEVEL GEAR (KEYED) |
| 12 | 2 | 3G18 | RACE (15245) |
| 13 | 2 | SD71 | BEARING (15123) |
| 14 | 2 | SD72 | RETAINING RING (N5000-244) |
| 15 | 1 | SD257 | SEAL (471831) |
| 16 | 1 | SDSH30 | OUTPUT SHAFT |
| 17 | 2 | SD85 | RETAINING RING (5100-137) |
| 18 | 2 | G55 | RETAINING RING |
| 19 | 1 | SD75 | BEARING (207P) |
| 20 | 1 | SD103 | GEARBOX BEARING SPACER |
| 21 | 1 | SD104 | GEARBOX GEAR SPACER |
| 22 | 1 | SD171 | SNAP RING |
| 23 | 7 | YBHH10105 | BOLT, 5/16" X 3/4" GR. 5 |
| 24 | 1 | 58498 | 1/2" PIPE PLUG, SH |
| 25 | 1 | 3G20 | PLASTIC VENT PLUT |
| 26 | 1 | 8595 | SEAL |
| 27 | 1 | G89 | ZERK, 1/4"-28 STRAIGHT |
| * | 1 | SD76 | COMPLETE GEARBOX |

NOTE: * MEANS NOT SHOWN

FIGURE 12
WORM GEARBOX

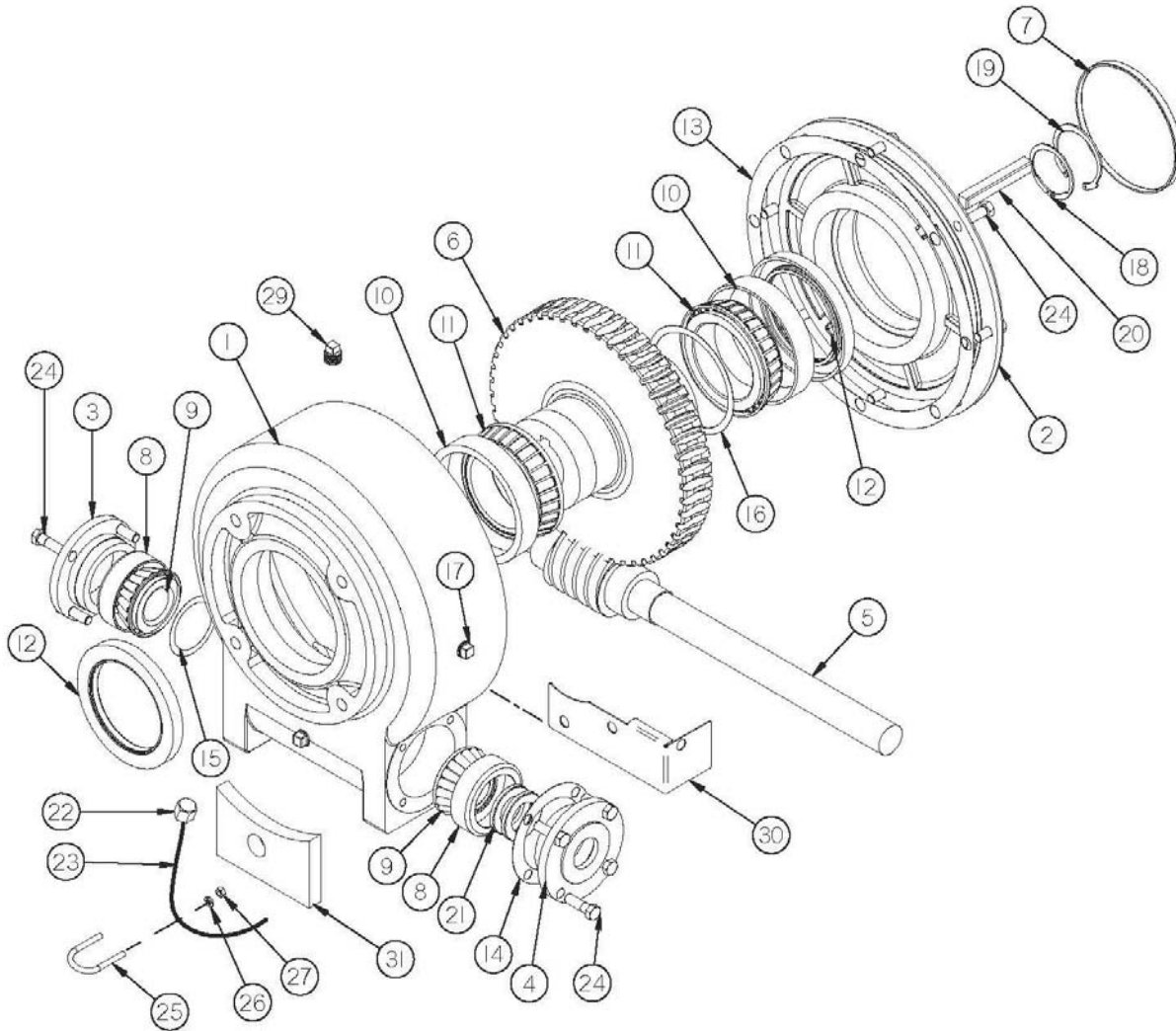


FIGURE 12

WORM GEARBOX

| <u>ITEM</u> | <u>QTY</u> | <u>PART#</u> | <u>DESCRIPTION</u> |
|-------------|------------|--------------|--|
| 1 | 1 | SD116 | HOUSING |
| 2 | 1 | SD117 | OUTPUT COVER |
| 3 | 1 | SD118 | ENDCAP, SOLID |
| 4 | 1 | SD119 | ENDCAP, THRU |
| 5 | 1 | SD120 | INPUT WORM SHAFT |
| 6 | 1 | SD121 | GEAR WHEEL |
| 7 | 1 | SD122 | CAP |
| 8 | 1 | SD123 | RACE |
| 9 | 1 | SD124 | BEARING |
| 10 | 2 | SD125 | RACE |
| 11 | 1 | SD126 | BEARING |
| 12 | 1 | SD127 | SEAL, OUTPUT |
| 13 | 1 | SD128 | GASKET, COVER |
| 14 | 1 | SD129 | GASKET, INPUT |
| 15 | 1 | SD130 | INPUT SHIM |
| 16 | 1 | SD131 | OUTPUT SHIM |
| 17 | 2 | 58498 | 1/2" PLUG PLUG SH |
| 18 | 1 | SD135 | RETAINING RING (5108-200) |
| 19 | 1 | SD136 | RETAINING RING (5008-250) |
| 20 | 1 | SD137 | KEY 1/2" SQUARE X 3-1/2" |
| 21 | 2 | SD138 | SEAL, INPUT |
| 22 | 1 | SD139 | CAP (5406-C-8) |
| 23 | 1 | SD258 | FILLER HOSE 10-1/2" (1/2" MP TO 1/2" MP) |
| 24 | 16 | YBHH12010 | BOLT, 3/8" X 1" GR. 5 |
| 25 | 1 | YBPU08003 | PIPE U BOLT, 1/4"-20 X 1/2" ZINC |
| 26 | 2 | YWLO08005 | WASHER, LOCK, 1/4" |
| 27 | 2 | YNHX08005 | HEX NUT, 1/4"-20 |
| 28 | 1 | SD133 | BUSHING 1/2"-14 TO 1/8"-27 |
| 29 | 1 | SD134 | VENT |
| * | 1 | SD140 | COMPLETE GEARBOX |
| 30 | 1 | 56966 | WORM BOX SHIELD |
| 31 | 1 | SD318 | FOAM BLOCK |

NOTE: * MEANS NOT SHOWN

FIGURE 13
REAR UNLOAD ASSEMBLY

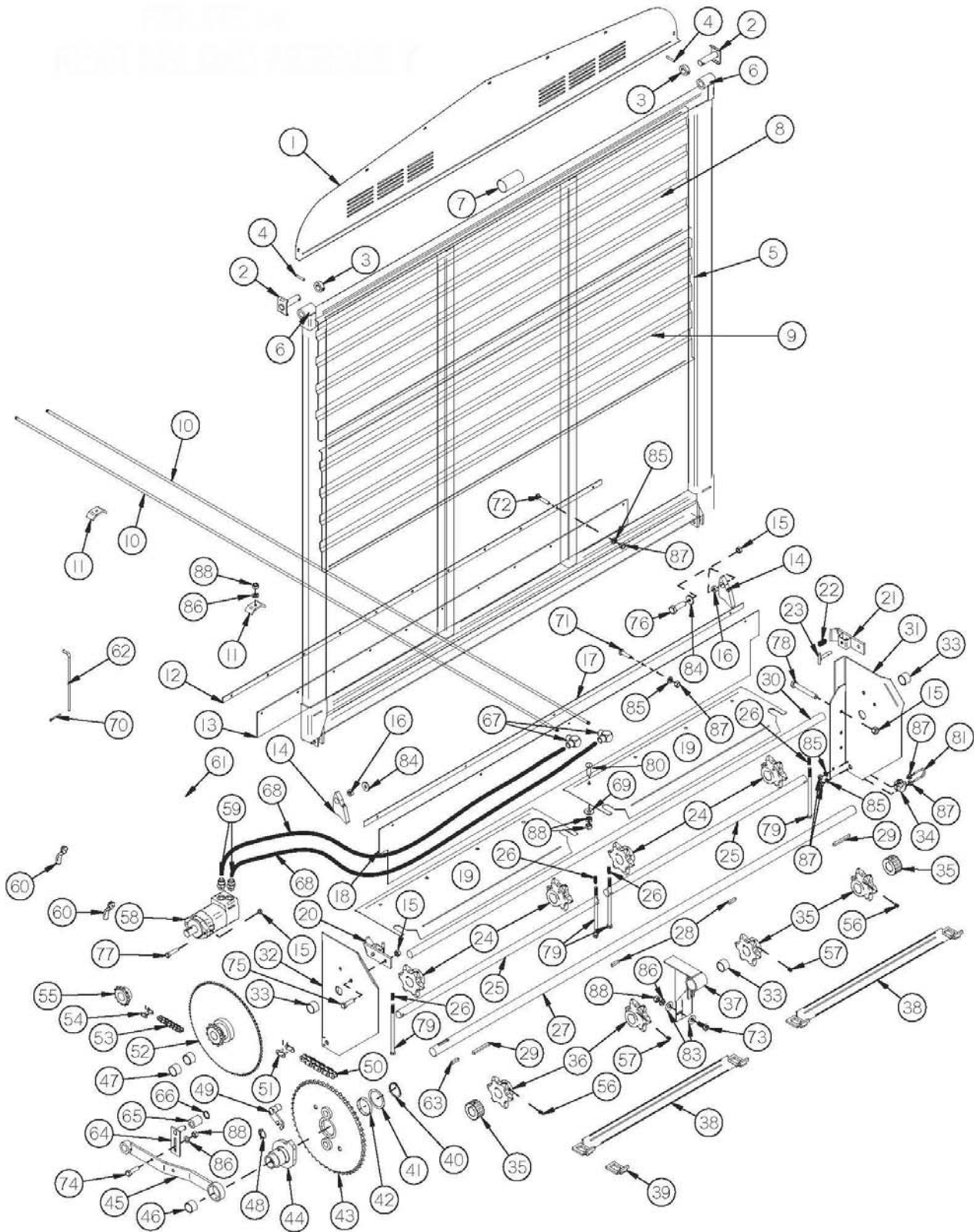


FIGURE 13

REAR UNLOAD ASSEMBLY

| <u>ITEM</u> | <u>QTY</u> | <u>PART #</u> | <u>DESCRIPTION</u> |
|-------------|------------|---------------|--|
| 1 | 1 | PB72 | BACK DOOR TOP PANEL |
| 2 | 2 | PB129 | HINGE PIN |
| 3 | 2 | PB130 | COLLAR |
| 4 | 2 | 3G22 | EXPANSION PIN |
| 5 | 1 | 60221 | BACK DOOR FRAMEWORK |
| 6 | 2 | PB65 | HINGE |
| 7 | 1 | PB66 | GUARD |
| 8 | 1 | PB23 | BACK DOOR TOP STEEL |
| 9 | 1 | PB24 | BACK DOOR BOTTOM STEEL |
| 10 | 2 | PB102 | HYDRAULIC PIPE 20' |
| 11 | 7 | 23N67 | HOSE HOLDER |
| 12 | 1 | S288 | SEAL STRAP |
| 13 | 1 | PB54 | RUBBER SEAL |
| 14 | 1 | 59883 | DOOR LATCH BAR |
| 15 | 12 | YNRL16005 | HEX NUT, REVERSIBLE-SIDE LOCK, 1/2" - 13 |
| 16 | 2 | 60088 | LATCH SPACER |
| 17 | 1 | PB103 | POLY SHIELD STRAP |
| 18 | 1 | PB104 | POLY SHIELD |
| 19 | 2 | IFB56 | DRIVE SHAFT PANEL |
| 20 | 1 | 75394 | WLDMT, DOOR SAFETY LATCH, LH |
| 21 | 1 | 75221 | WLDMT, DOOR SAFETY LATCH, RH |
| 22 | 2 | IFB110 | DOOR LATCH SPRING |
| 23 | 2 | IFB109 | DOOR LATCH PIN |
| 24 | 4 | S60 | IDLER SHAFT SPROCKET (8 PCS.) |
| 25 | 2 | PB89 | TIGHTENER SHAFT |
| 26 | 1 | WM210 | SPRING - RED |
| 27 | 1 | PB253 | DRIVE SHAFT |
| 28 | 2 | PB87 | KEY 3/8" X 2" SQUARE |
| 29 | 2 | PB133 | KEY 3/8" X 4-3/8" SQUARE |
| 30 | 1 | PB90 | INSIDE IDLER SHAFT |
| 31 | 1 | PB257 | DRIVE SHAFT MOUNT RIGHT |
| 32 | 1 | PB256 | DRIVE SHAFT MOUNT LEFT |
| 33 | 3 | S50 | BUSHING 1-3/4"OD X 1-1/2" ID X 2-1/2" |
| 34 | 1 | F33 | CABLE GUIDE |
| 35 | 2 | PB175 | LATCH SPROCKET |
| 36 | 4 | SD213 | DRIVE SHAFT SPROCKET |
| 37 | 1 | PB258 | CENTER BEARING BRACKET |
| 38 | 1 | S233 | 667XH PINTLE SLAT WITH ATTACHMENT LINKS |
| * | 1 | 11S50 | 667XH PINTLE ATTACHMENT LINK RH OR LH |
| * | 1 | S326 | 667XH COMPLETE PINTLE APRON 20' |
| 39 | 1 | 11S51 | 667XH PINTLE CONNECTOR LINK |
| 40 | 1 | 23N227 | SNAP RING |
| 41 | 1 | PB126 | CLUTCH SPROCKET WASHER |
| 42 | 1 | PB135 | BUSHING |
| 43 | 1 | PB193 | 52 TOOTH SPROCKET |
| 44 | 1 | PB252 | REAR CLUTCH DOG |
| 45 | 1 | PB251 | DRIVE SHAFT BRACE |
| 46 | 1 | PB134 | BUSHING 2-1/2" OD X 2-1/4" ID X 1" Long |

NOTE: * MEANS NOT SHOWN

FIGURE 13
REAR UNLOAD ASSEMBLY

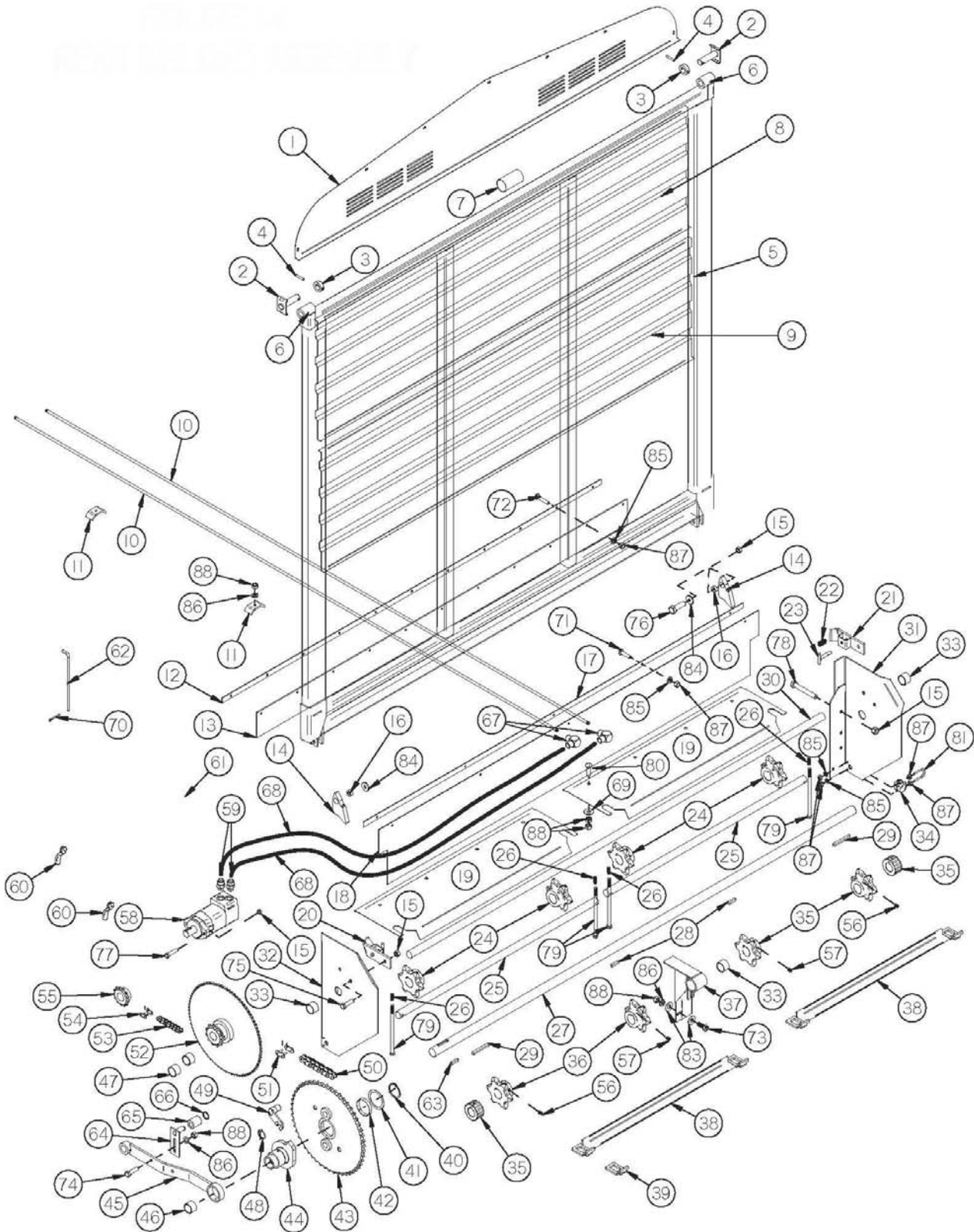


FIGURE 13

REAR UNLOAD ASSEMBLY

| <u>ITEM</u> | <u>QTY</u> | <u>PART#</u> | <u>DESCRIPTION</u> |
|-------------|------------|--------------|---|
| 47 | 2 | PB108 | BUSHING 1-1/2" OD X 1-1/4" ID X 1-3/4" |
| 48 | 1 | PB190 | LYNCH PIN |
| 49 | 1 | PB191 | CLUTCH PIN |
| 50 | 1 | PB114 | #80 CHAIN 73 PITCHES |
| 51 | 1 | F157 | #80 CONNECTOR LINK |
| 52 | 1 | PB95 | 11 TOOTH TO 84 TOOTH SPROCKET |
| 53 | 1 | SD292 | #50 CHAIN 96 PITCHES |
| 54 | 1 | X61 | #50 CONNECTOR LINK |
| 55 | 1 | PB235 | SPROCKET 2000 SERIES |
| 56 | 2 | YSKP10010 | SET SCREW, SOCKET, KNURLED CUP |
| 57 | 2 | YSKP12010 | SET SCREW, SOCKET, KNURLED CUP |
| 58 | 1 | 16SV150 | HYDRAULIC MOTOR |
| 59 | 2 | GM27 | STRAIGHT THREAD CONNECTOR (8-10F50X) |
| 60 | 2 | S192 | HANDLE NUT |
| 61 | 1 | PB138 | REAR SHAFT SHIELD |
| 62 | 1 | PB100 | HINGE PIN |
| 63 | 1 | 56N174 | 3/8" X 2" SQUARE KEY W/ROUND ENDS (HARDENED) |
| 64 | 1 | 17G69 | CHAIN TIGHTENER BRACKET |
| 65 | 1 | 23N238 | CHAIN TIGHTENER ROLLER |
| 66 | 1 | 10R32 | SNAP RING |
| 67 | 2 | 50N135 | 1/2"-90° ELBOW (FEMALE) |
| 68 | 2 | SD308 | HYDRAULIC HOSE 1/2" X 60" (139HY-8-8, 1/2MPX) |
| 69 | 8 | YWCU12005 | WASHER, CUSTOM, FLAT, .435" ID. X 1-7/8" OD. X .125 THICK |
| 70 | 1 | YPCT05015 | COTTER PIN, 5/32" X 1-1/4" |
| 71 | 5 | YBHH08010 | BOLT, 1/4" X 1" GR. 5 |
| 72 | 11 | YBHH08035 | BOLT, 1/4" X 1-1/4" GR. 5 |
| 73 | 1 | YBHH12010 | BOLT, 3/8" X 1" GR. 5 |
| 74 | 2 | YBHH12035 | BOLT, 3/8" X 1-1/4" GR. 5 |
| 75 | 2 | YBHH16045 | BOLT, 1/2" X 1-1/4" GR. 5 |
| 76 | 2 | YBHH16030 | BOLT, 1/2" X 1-1/2" GR. 5 |
| 77 | 2 | YBHH16095 | BOLT, 1/2" X 2-1/4" GR. 5 |
| 78 | 6 | YBHH16115 | BOLT, 1/2" X 3-1/2" GR. 5 |
| 79 | 4 | YBHH16190 | BOLT, 1/2" X 9-1/2" GR. 5 |
| 80 | 8 | YBCR12015 | CARR. BOLT, 3/8" X 1-1/2" GR. 5 |
| 81 | 1 | YBPU08005 | PIPE U BOLT, 1/4"-20 X 3/4" PIPE, 1-1/4" ID, 2-1/4" IL, 1-1/4" THREAD |
| 82 | 5 | YWFL08005 | WASHER, FLAT, 1/4" USS |
| 83 | 2 | YWFL12005 | WASHER, FLAT, 3/8" USS |
| 84 | 2 | YWFL16005 | WASHER, FLAT, 1/2" USS |
| 85 | 18 | YWLO08005 | WASHER, LOCK, 1/4" |
| 86 | 10 | YWLO12005 | WASHER, LOCK, 3/8" |
| 87 | 20 | YNHX08005 | HEX NUT, 1/4"-20 |
| 88 | 26 | YNHX12005 | HEX NUT, 3/8"-16 |

NOTE: * MEANS NOT SHOWN

FIGURE 14

INDUSTRIAL 2-WAY UNLOAD

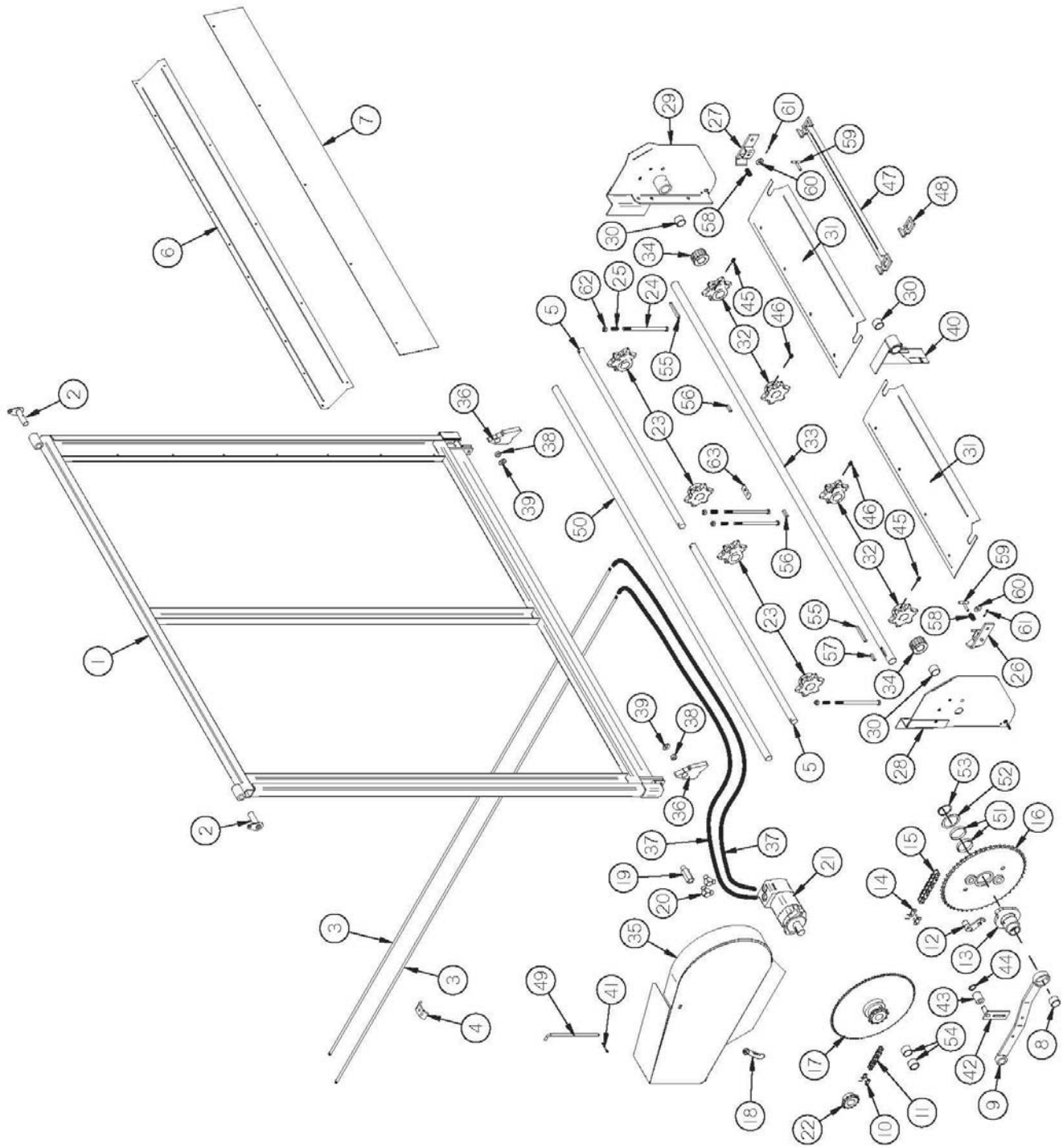


FIGURE 14

INDUSTRIAL 2-WAY UNLOAD

| <u>PART #</u> | | | | |
|---------------|--------------|--------------|--------------|---|
| <u>ITEM</u> | <u>22 FT</u> | <u>24 FT</u> | <u>26 FT</u> | <u>DESCRIPTION</u> |
| 1 | IFB55 | " | " | REAR DOOR FRAMEWORK |
| 2 | IFB3 | " | " | DOOR HINGE PIN |
| 3 | PB101 | PB18 | PB102 | HYDRAULIC PIPE |
| 4 | 23N67 | " | " | PIPE CLAMP |
| 5 | PB89 | " | " | IDLER SHAFTS |
| 6 | IFB59 | " | " | POLY SEAL HOLDER |
| 7 | IFB60 | " | " | POLY SEAL |
| 8 | PB134 | " | " | BUSHING 2-1/2" OD X 2-1/4" ID X 1" Long |
| 9 | PB119 | " | " | DRIVE SHAFT BRACE |
| 10 | X61 | " | " | #50 CONNECTOR LINK |
| 11 | PB97 | " | " | #50 CHAIN X 90 PITCH |
| 12 | PB191 | " | " | CLUTCH PIN |
| 13 | PB118 | " | " | REAR CLUTCH DOG |
| 14 | F157 | " | " | #80 CONNECTOR LINK |
| 15 | PB114 | " | " | #80 CHAIN 73 PITCHES |
| 16 | PB193 | " | " | 52 TOOTH SPROCKET |
| 17 | PB95 | " | " | 11 TOOTH TO 84 TOOTH SPROCKET |
| 18 | S192 | " | " | HANDLE NUT |
| 19 | DF18 | " | " | CHECK VALVE (1/2") |
| * | PB185 | " | " | CHECK VALVE 3/4" (OPTION) |
| 20 | HE58 | " | " | ELBOW 1/2" (2) |
| 21 | DF18 | " | " | HYDRAULIC MOTOR |
| * | 16SV150 | " | " | HYDRAULIC MOTOR (OPTION) |
| 22 | PB235 | " | " | SPROCKET 2000 SERIES |
| 23 | S60 | " | " | IDLER SHAFT SPROCKET (8 PCS.) |
| 24 | YBHH16190 | " | " | BOLT, 1/2" X 9-1/2" GR. 5 |
| 25 | WM210 | " | " | SPRING - RED |
| 26 | 75394 | " | " | WLDMT, DOOR SAFETY LATCH, LH |
| 27 | 75221 | " | " | WLDMT, DOOR SAFETY LATCH, RH |
| 28 | IFB51 | " | " | DRIVE SHAFT MOUNT |
| 29 | IFB52 | " | " | RH DRIVE SHAFT MOUNT |
| 30 | 23N17 | " | " | DRIVE SHAFT MOUNT BUSHING |
| 31 | IFB56 | " | " | DRIVE SHAFT PANEL |
| 32 | 23N122 | " | " | DRIVE SPROCKET (4) |
| 33 | PB194 | " | " | DRIVE SHAFT |
| 34 | PB83 | " | " | LATCH SPROCKET |
| 35 | PB138 | " | " | REAR SHAFT SHIELD |

NOTE: * MEANS NOT SHOWN

FIGURE 14
INDUSTRIAL 2-WAY

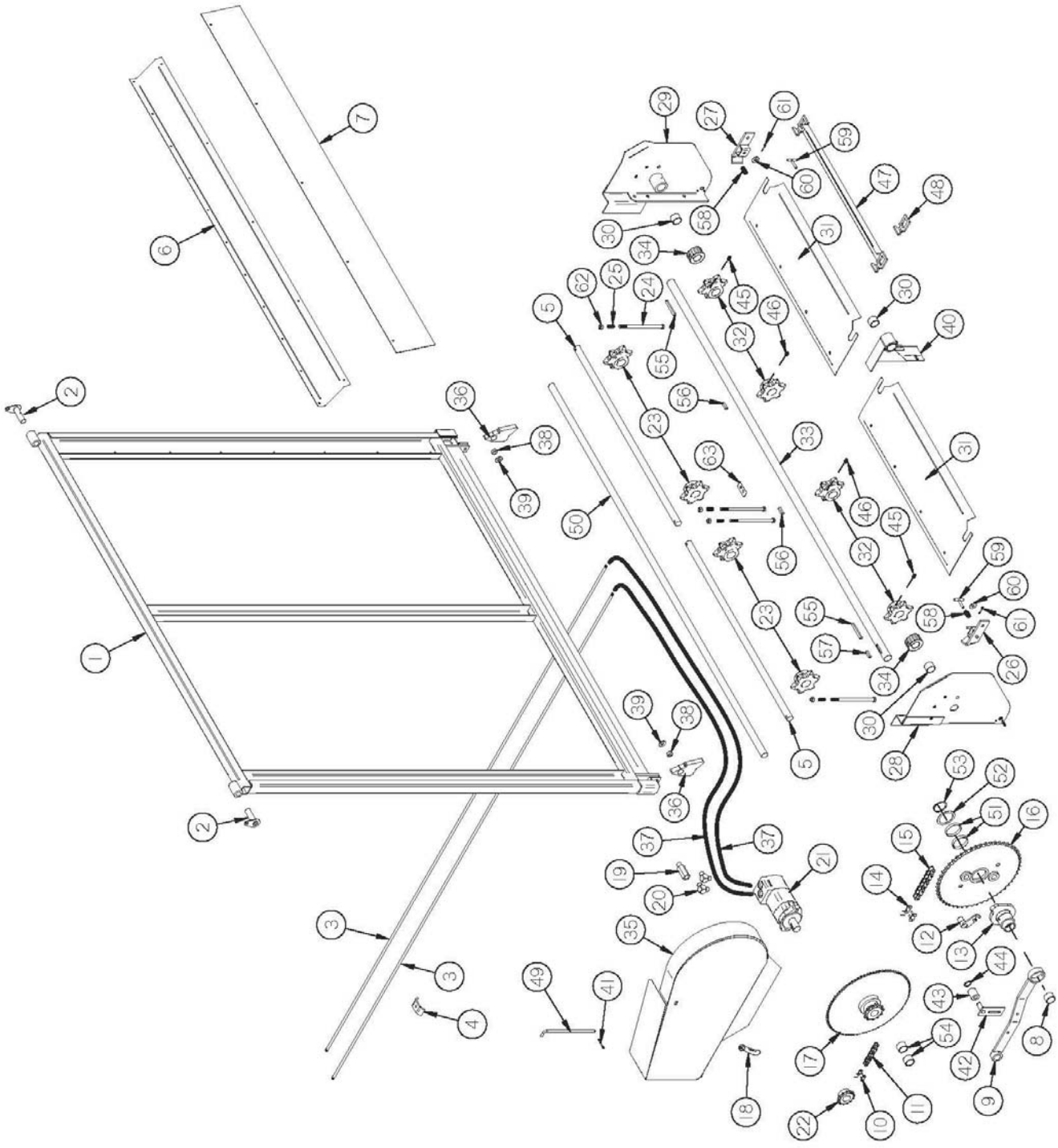


FIGURE 14

INDUSTRIAL 2-WAY UNLOAD

| <u>ITEM</u> | <u>PART #</u> | | | <u>DESCRIPTION</u> |
|-------------|---------------|--------------|--------------|---|
| | <u>22 FT</u> | <u>24 FT</u> | <u>26 FT</u> | |
| 36 | 59883 | " | " | DOOR LATCH BAR |
| 37 | PB41 | " | " | HYDRAULIC HOSE 1/2" X 60" |
| * | 16SV144 | " | " | HYDRAULIC HOSE 1/2" X 41" (OPTION) |
| 38 | 60088 | " | " | LATCH SPACER |
| 39 | YWFL16005 | " | " | WASHER, FLAT, 1/2" USS |
| 40 | PB139 | " | " | CENTER BEARING BRACKET |
| 41 | YPCT05015 | " | " | COTTER PIN, 5/32" X 1-1/4" |
| 42 | 17G69 | " | " | CHAIN TIGHTENER BRACKET |
| 43 | 23N238 | " | " | CHAIN TIGHTENER ROLLER |
| 44 | 10R32 | " | " | SNAP RING |
| 45 | YSKP10010 | " | " | SET SCREW, SOCKET, KNURLED CUP |
| 46 | YSKP12010 | " | " | SET SCREW, SOCKET, KNURLED CUP |
| 47 | S233 | " | " | SLAT W/ ATT. LINK - 667H PINTLE |
| * | S324 | S325 | S326 | COMPLETE 667H APRON |
| 48 | 11S51 | " | " | 667H PINTLE CONNECTOR LINK |
| * | 11S50 | " | " | 667H PINTLE ATT. LINK LH OR RH |
| 49 | PB100 | " | " | SHIELD HINGE PIN |
| 50 | PB90 | " | " | INSIDE IDLER SHAFT |
| 51 | PB135 | " | " | BUSHING |
| 52 | PB126 | " | " | CLUTCH SPROCKET WASHER |
| 53 | 23N227 | " | " | SNAP RING |
| 54 | PB108 | " | " | BUSHING 1-1/2" OD X 1-1/4" ID X 1-3/4" |
| 55 | PB133 | " | " | KEY 3/8" X 4-3/8" SQUARE |
| 56 | PB87 | " | " | KEY 3/8" X 2" SQUARE |
| 57 | PB136 | " | " | KEY 3/8" X 2" SQUARE HARDENED W/ ROUND ENDS |
| 58 | IFB110 | " | " | DOOR LATCH SPRING |
| 59 | IFB109 | " | " | DOOR LATCH PIN |
| 60 | YWFL16005 | " | " | WASHER, FLAT, 1/2" USS |
| 61 | YPCT05015 | " | " | COTTER PIN, 5/32" X 1-1/4" |
| 62 | YNL16005 | " | " | HEX NUT, TOP LOCK, 1/2"-13 |
| 63 | PB196 | " | " | LOCK TAB |

NOTE: * MEANS NOT SHOWN

FIGURE 15
4TH BEATER OPTION

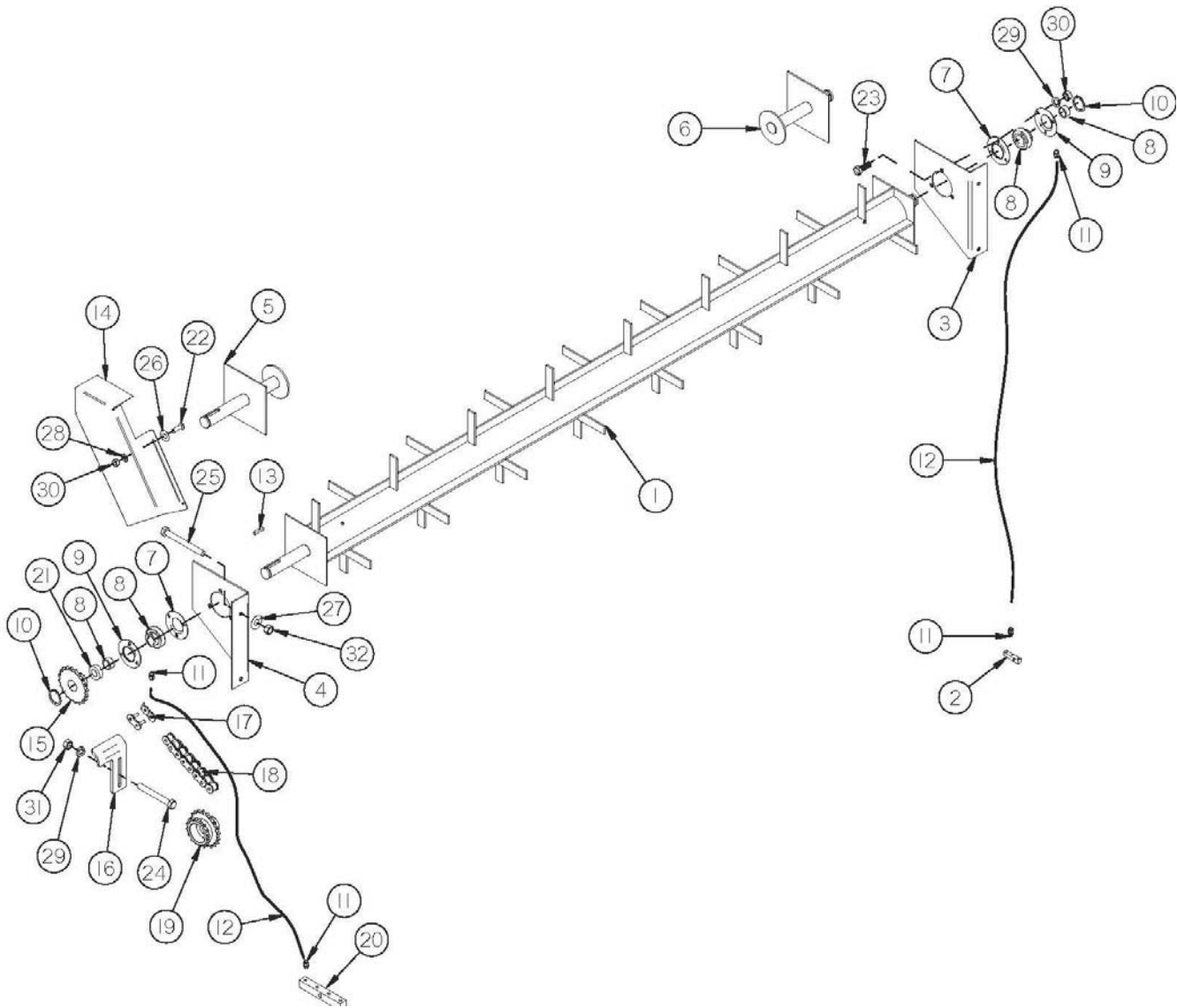


FIGURE 15

4TH BEATER OPTION

| <u>ITEM</u> | <u>QTY</u> | <u>PART #</u> | <u>DESCRIPTION</u> |
|-------------|------------|---------------|--|
| 1 | 1 | S263 | BEATER |
| 2 | 1 | SD83 | GREASE BLOCK (3 PORT) |
| 3 | 1 | S264 | LEFT HAND BEATER PANEL |
| 4 | 1 | S261 | RIGHT HAND BEATER PANEL |
| 5 | 1 | S265 | RIGHT HAND BEATER SHAFT |
| 6 | 1 | S451 | LEFT HAND BEATER SHAFT |
| 7 | 2 | F14 | BEARING FLANGE |
| 8 | 2 | 12N122 | BEARING (GREASEABLE TYPE) |
| 9 | 2 | F114 | BEARING FLANGE W/ZERK |
| 10 | 2 | F73 | SNAP RING |
| 11 | 4 | S47 | GREASE LINE FITTING |
| 12 | 2 | SD142 | GREASE LINE |
| 13 | 1 | G23B | KEY (5/16" X 1-3/8") |
| 14 | 1 | SD143 | 4TH BEATER SHIELD |
| 15 | 1 | S26 | BEATER SPROCKET (20 T |
| 16 | 1 | SD144 | CHAIN TIGHTENER |
| 17 | 1 | X61 | #50 CONNECTOR LINK |
| 18 | 1 | SD145 | 4TH BEATER CHAIN (#50 X 72 PITCHES) |
| 19 | 1 | S266 | 3RD BEATER SPROCKET (#50 X 20 TOOTH TO 16 TOOTH) |
| 20 | 1 | SD146 | GREASE BLOCK (4 PORT) |
| 21 | 1 | S262 | SPACER |
| 22 | 2 | YBHH08100 | BOLT, 1/4" X 3/4" GR. 5 |
| 23 | 6 | YBHH12010 | BOLT, 3/8" X 1" GR. 5 |
| 24 | 1 | YBHH12120 | BOLT, 3/8" X 3" GR. 5 |
| 25 | 4 | YBHH12145 | BOLT, 3/8" X 3-1/2" GR. 5 |
| 26 | 2 | YWFL08005 | WASHER, FLAT, 1/4" USS |
| 27 | 4 | YWFL12005 | WASHER, FLAT, 3/8" USS |
| 28 | 2 | YWLO08005 | WASHER, LOCK, 1/4" |
| 29 | 7 | YWLO12005 | WASHER, LOCK, 3/8" |
| 30 | 2 | YNHX08005 | HEX NUT, 1/4"-20 |
| 31 | 7 | YNHX12005 | HEX NUT, 3/8"-16 |
| 32 | 4 | YNRL12005 | HEX NUT, REVERSIBLE-SIDE LOCK, 3/8"-16 |

FIGURE 16

LIGHT HARNESS

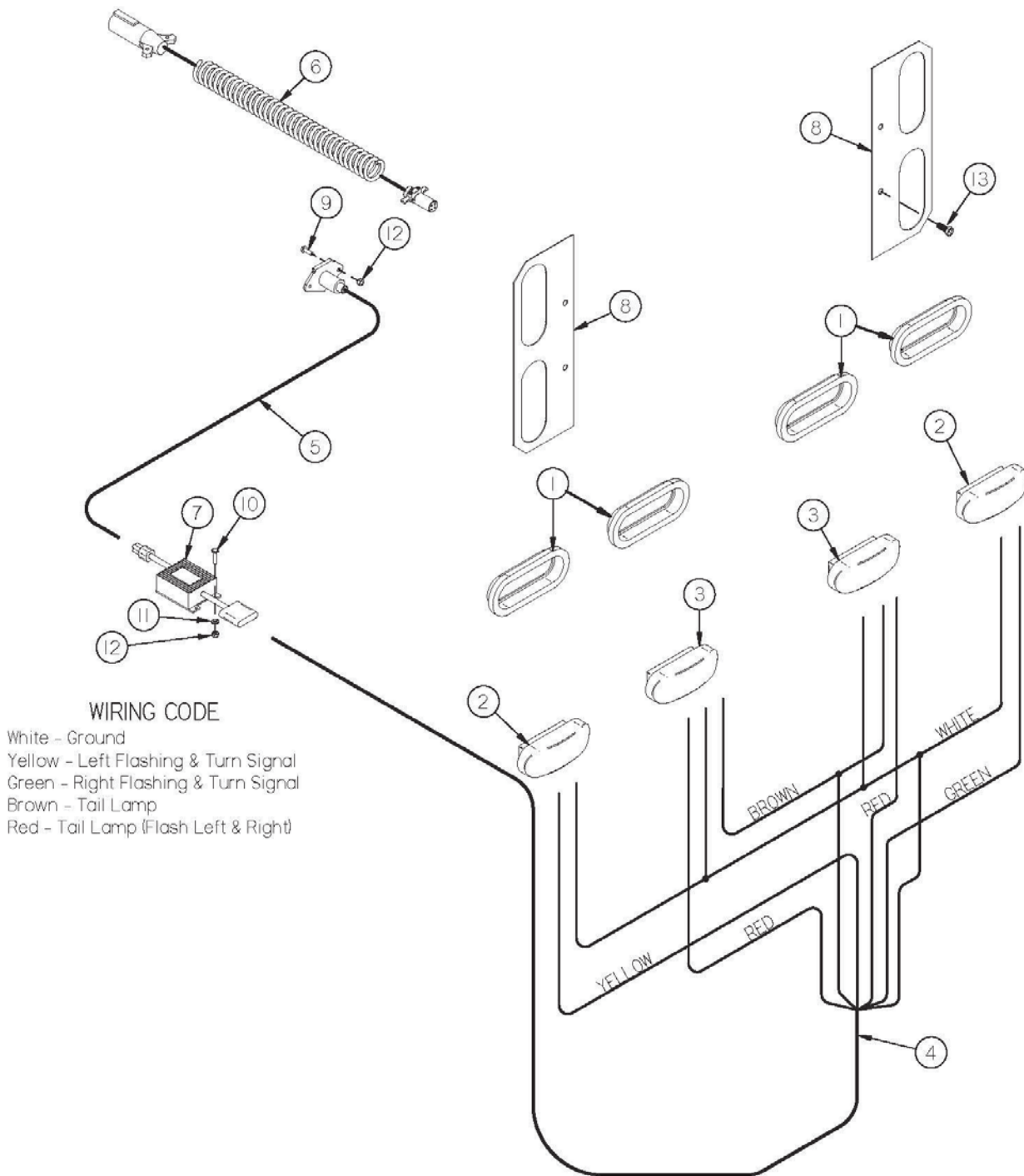


FIGURE 16

LIGHT HARNESS

| <u>ITEM</u> | <u>QTY</u> | <u>PART #</u> | <u>DESCRIPTION</u> |
|-------------|------------|---------------|---|
| 1 | 4 | S308 | RUBBER LIGHT MOUNT |
| 2 | 2 | S309 | AMBER LIGHT |
| 3 | 2 | S310 | RED LIGHT |
| 4 | 1 | PB232 | LIGHT HARNESS (6 WIRE) |
| 5 | 1 | S443 | 16' LONGITUDINAL CORD (4 WIRE) |
| * | 1 | S442 | 18' LONGITUDINAL CORD (4 WIRE) |
| * | 1 | S439 | 20' LONGITUDINAL CORD (4 WIRE) |
| 6 | 1 | TLPC | TRACTOR CORD (OPTIONAL) |
| 7 | 1 | S441 | LIGHT MODULE |
| 8 | 2 | PB111 | TAILLIGHT BRACKETS (2-WAY ONLY) |
| * | 1 | PB239 | 16' COMPLETE LIGHT ASSEMBLY LESS OPTIONAL TRACTOR CORD |
| * | 1 | PB240 | 18' COMPLETE LIGHT ASSEMBLY LESS OPTIONAL TRACTOR CORD |
| * | 1 | PB241 | 20' COMPLETE LIGHT ASSEMBLY LESS OPTIONAL TRACTOR CORD |
| 9 | 2 | YBHH08015 | BOLT, 1/4" X 1/2" GR. 5 |
| 10 | 3 | YBHH08010 | BOLT, 1/4" X 1" GR. 5 |
| 11 | 3 | YWLO08005 | WASHER, LOCK, 1/4" |
| 12 | 5 | YNHX08005 | HEX NUT, 1/4"-20 |
| 13 | 6 | YSHW10010 | 5/16"-18 X 1-1/4" HEX WASHER SLOT TYPE F ZINC THREAD CUTTING SCREW |

NOTE: * MEANS NOT SHOWN

FIGURE 17

UNIT HARNESS ROUTING

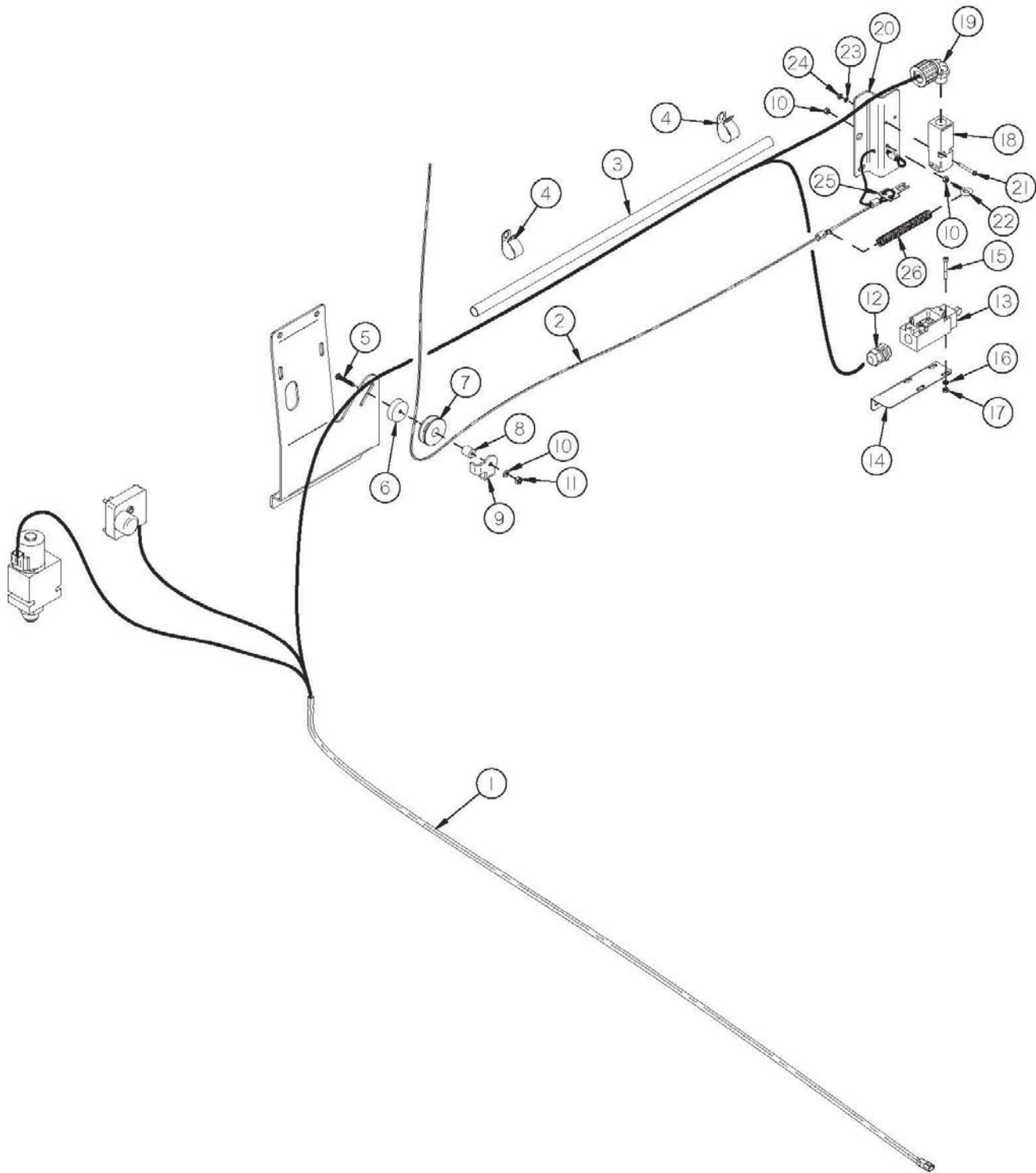


FIGURE 17

UNIT HARNESS ROUTING

| <u>ITEM</u> | <u>QTY</u> | <u>PART #</u> | <u>DESCRIPTION</u> |
|-------------|------------|---------------|--|
| 1 | 1 | SDHMS01 | UNIT HARNESS |
| 2 | 1 | SDHAS11 | SAFETY CABLE ROUTE |
| 3 | 1 | SD251 | WIRE SHIELD |
| 4 | 2 | HGV72 | WIRE CLAMP #12 |
| 5 | 1 | YBCR08020 | CARR. BOLT, 1/4 X 2" |
| 6 | 1 | SDHPL02 | SAFETY KEY SPACER |
| 7 | 1 | SDHPL01 | POLY PULLEY |
| 8 | 1 | SDHSH01 | POLY PULLEY AXLE |
| 9 | 1 | SDH14G01 | CABLE GUIDE |
| 10 | 1 | YWLO08005 | WASHER, LOCK, 1/4" |
| 11 | 1 | YNHX08005 | HEX NUT, 1/4"-20 |
| 12 | 1 | GD23 | STRAIN RELIEF |
| * | 1 | 56120 | STRAIN RELIEF LOCK NUT |
| 13 | 1 | SD252 | MICRO SWITCH GLAA01C |
| 14 | 1 | SD250 | LIMIT SWITCH MOUNT |
| 15 | 4 | YSHS64008 | SOCKET HEAD CAP SCREW, #10-32 X 1-1/2" BLACK OXIDE |
| 16 | 4 | YWSI64005 | WASHER, LOCK, STAR, EXTERNAL, #10 |
| 17 | 4 | YNHX64005 | HEX NUT, #10-32 |
| 18 | 1 | 53523 | SAFETY SWITCH |
| 19 | 1 | MS10 | STRAIN RELIEF 1/2" 90 DEGREE |
| 20 | 1 | SDH10G01 | SAFETY SWITCH EXTENSION MOUNT |
| 21 | 2 | YSMP62015 | #8-32 X 1-1/2" PHILLIPS PAN HEAD SCREW |
| 22 | 1 | YBTE08005 | TURNED EYE BOLT, 1/4" X 1" FULL THREAD |
| 23 | 2 | YWSI62005 | #8 EXTERNAL TOOTH LOCK WASHER |
| 24 | 2 | YNHX62005 | #8-32 HEX MACHINE SCREW NUT, ZINC PLATED |
| 25 | 1 | 53524 | SAFETY KEY INTERLOCK |
| 26 | 1 | LW111 | SPRING |

NOTE: * MEANS NOT SHOWN

FIGURE 18
HYDRAULIC DRIVE CONTROL BOX

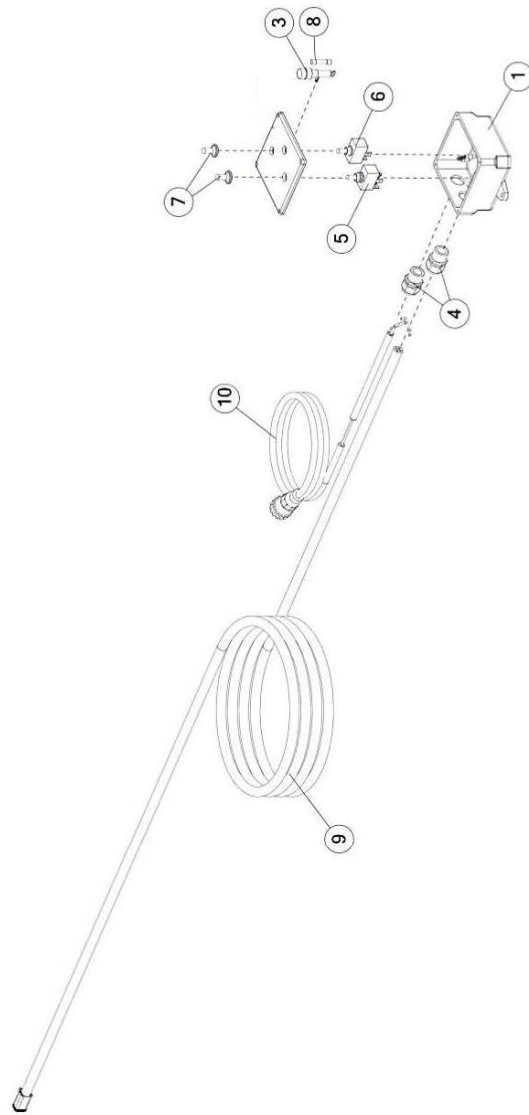


FIGURE 18

HYDRAULIC DRIVE CONTROL BOX

| <u>ITEM</u> | <u>QTY</u> | <u>PART #</u> | <u>DESCRIPTION</u> |
|--------------------|-------------------|----------------------|------------------------------|
| 1 | 1 | 85097 | CONTROL BOX |
| 2 | 1 | 16SV271 | POWER CORD |
| 3 | 1 | 16SV331 | FUSE HOLDER |
| 4 | 2 | GD23 | STRAIN RELIEF |
| * | 1 | 56120 | STRAIN RELIEF LOCK NUT, 1/2" |
| 5 | 1 | 16SV319 | AUGER SPEED SWITCH |
| 6 | 1 | 16SV233 | TOGGLE SWITCH SPST |
| 7 | 2 | 16SV235 | SWITCH BOOT |
| 8 | 1 | 16SV232 | FUSE |
| 9 | 1 | SDHMS06 | CONTRIK BOX OUTPUT CORD |
| * | 1 | SDHAS05 | UNIT CONTROL BOX (COMPLETE) |

NOTE: * MEANS NOT SHOWN

FIGURE 19

EXTENSION HYDRAULICS

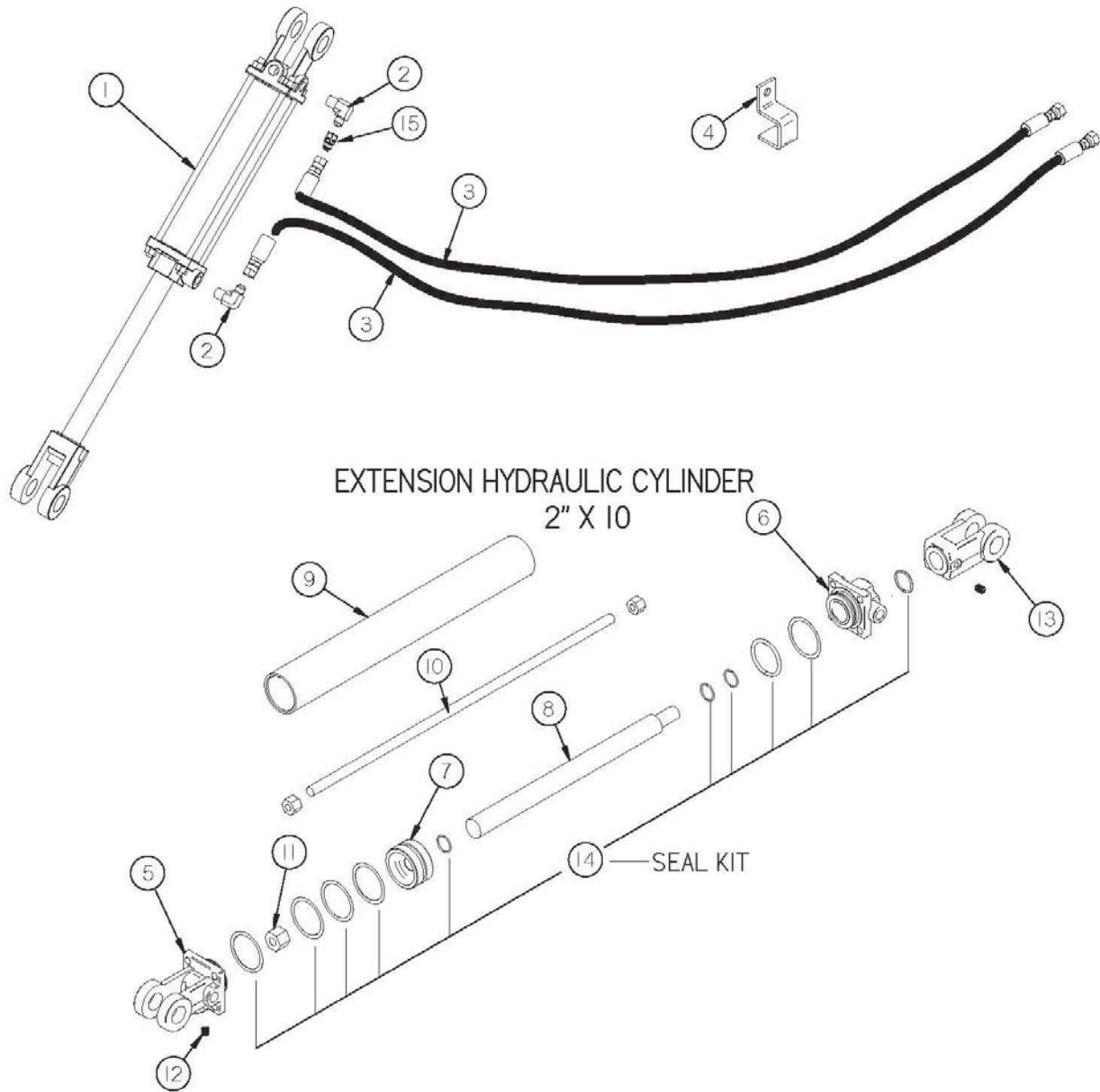


FIGURE 19

EXTENSION HYDRAULICS

| <u>ITEM</u> | <u>QTY</u> | <u>PART #</u> | <u>DESCRIPTION</u> |
|-------------|------------|---------------|---|
| 1 | 1 | 56000 | 2" x 10" HYDRAULIC CYLINDER |
| 2 | 2 | CHM164 | MALE CONNECTOR (6-6 CTX) |
| 3 | 2 | SDHMS03 | HYDRAULIC HOSE 3/8" X 192" (106HY-6-6, 101HY-8-6) |
| 4 | 4 | HE14 | HOSE CLAMP |
| 5 | 1 | 23N142 | CLEVIS CAP |
| 6 | 1 | 56174 | ROD CAP |
| 7 | 1 | 56180 | PISTON |
| 8 | 1 | 16SV168 | PISTON NUT |
| 9 | 1 | 16SV169 | TUBE |
| 10 | 4 | 16SV170 | TIE ROD |
| 11 | 1 | 23N148 | PISTON NUT |
| 12 | 2 | 23N149 | PLUG |
| 13 | 1 | 23N150 | ROD CLEVIS |
| 14 | 1 | 56187 | SEAL KIT |
| 15 | 1 | 58144 | FITTING 6 XHX7-S .062 ORIFICE |

FIGURE 20
AIR GATE DELAY

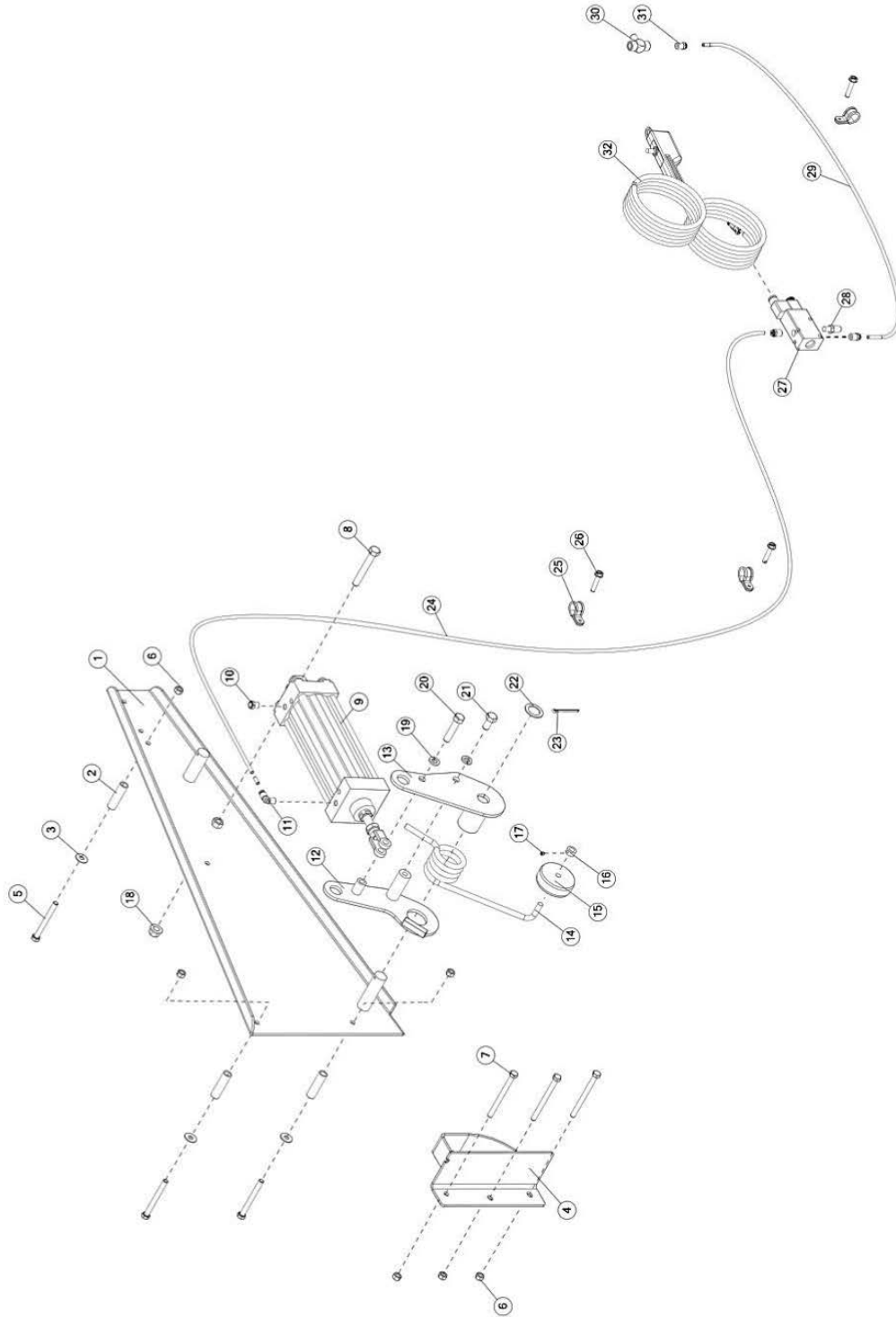


FIGURE 20

AIR GATE DELAY

| <u>ITEM</u> | <u>QTY</u> | <u>PART #</u> | <u>DESCRIPTION</u> |
|-------------|------------|---------------|---|
| 1 | 1 | 60257 | PIN WELDMENT |
| 2 | 3 | 60404 | STAKE SPACER |
| 3 | 3 | YWFL12005 | WASHER, FLAT, 3/8 USS |
| 4 | 1 | 69912 | STOP, GATE DELAY |
| 5 | 3 | YBHH12160 | BOLT, 3/8 X 3-3/4 |
| 6 | 6 | YNRL12005 | HEX NUT, REVERSIBLE-SIDE LOCK, 3/8-16 |
| 7 | 3 | YBHH12185 | BOLT, 3/8 X 4-1/2 GR 5 |
| 8 | 1 | YBHH16115 | BOLT, 1/2 X 3-1/2 GR 5 |
| 9 | 1 | GD52 | 3-1/4" X 6" AIR CYL COMPLETE |
| 10 | 1 | GD8 | 1/4" VENT PLUG |
| 11 | 1 | GD5 | MALE ELBOW, 1/4" |
| 12 | 1 | 60266 | SPRING MOUNT BOLT WELDMENT |
| 13 | 1 | 69903 | WLDMT, BRACKET, GATE DELAY |
| 14 | 1 | 69884 | SPRING |
| 15 | 1 | 69875 | SHAFT, RND, 3.0 X 1.00 |
| 16 | 1 | 60133 | SPRING SET COLLAR |
| 17 | 1 | YSKP08005 | SET SCREW, SOCKET, KNURLED CUP PT, 1/4 X |
| 18 | 1 | YNFG16005 | 1/4 HEX NUT, FLANGED-LOCK, 1/2-13 GRADE F |
| 19 | 2 | YWLO16005 | (ZINC) WASHER, LOCK, 1/2 |
| 20 | 1 | YBHH16095 | BOLT, 1/2 X 2-1/4 GR 5 |
| 21 | 1 | YBHH16045 | BOLT, 1/2 X 1-1/4 GR 5 |
| 22 | 1 | S345 | PULLEY SPACER |
| 23 | 1 | YPCT06020 | COTTER PIN, 3/16 X 2 |
| 24 | 1 | GD10 | 1/4" D.O.T AIR TUBING |
| 25 | 3 | HGV162 | RUBBER CUSHION CLAMP |
| 26 | 3 | YSHW10020 | HWH TCS "F", 5-16-18 X 1-1/2" |
| 27 | 1 | GD16 | 3-WAY AIR VALVE (COMPLETE) |
| 28 | 1 | GD7 | 1/4" VENT PLUG (CONE SHAPED) |
| 29 | 1 | GD38 | 1/4" D.O.T. AIR TUBING X 10' |
| 30 | 1 | GD43 | FEMALE TEE |
| 31 | 2 | GD6 | MALE COUPLER, 1/4" |
| 32 | 1 | 61598 | HAND CONTROLLER (ON-OFF) |

FIGURE 21

HYDRAULIC GATE DELAY

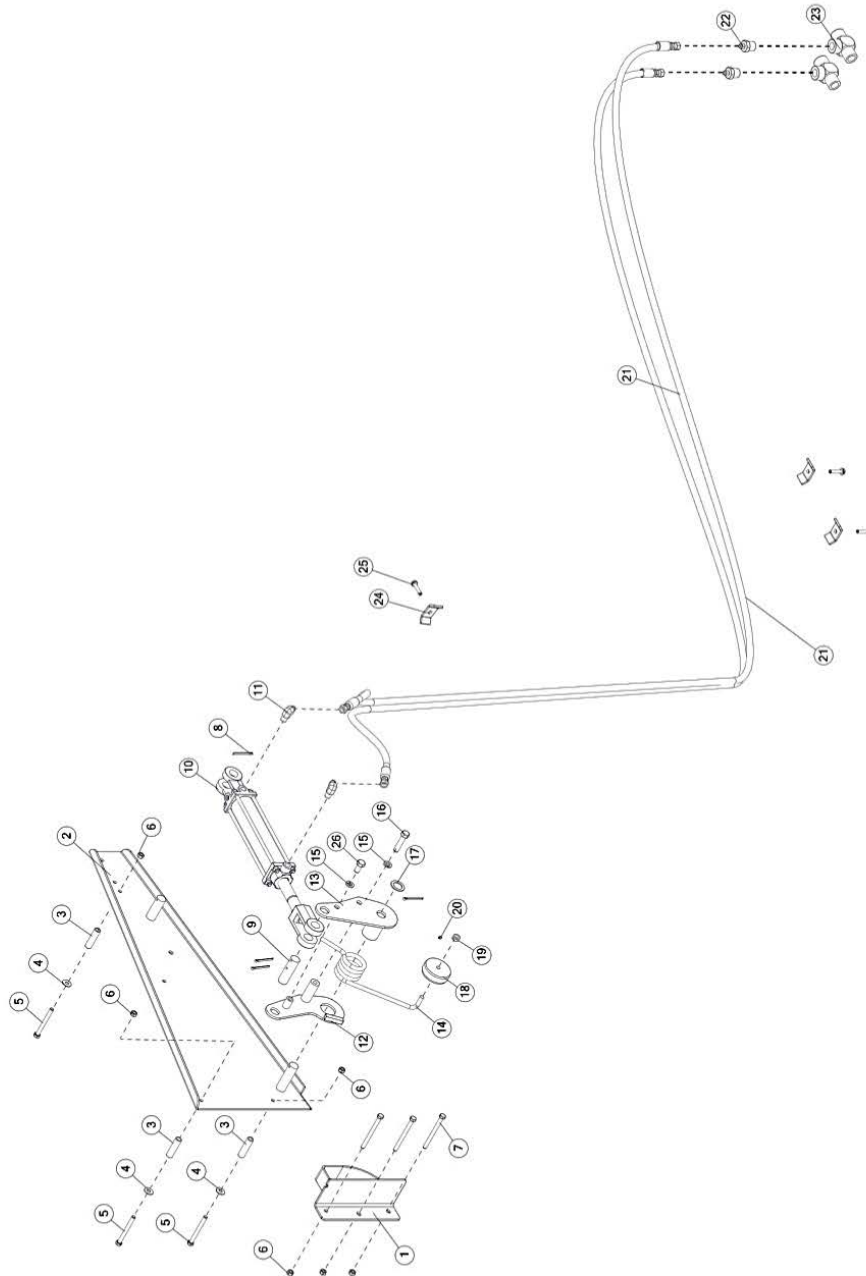


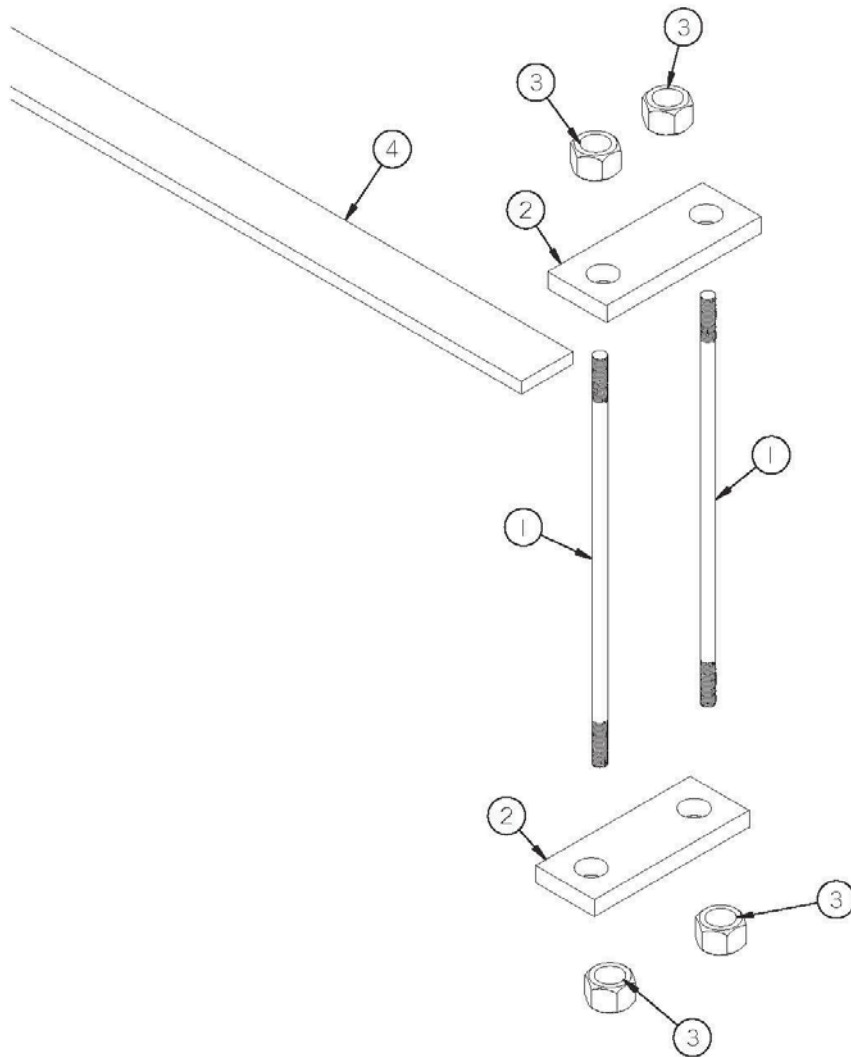
FIGURE 21

HYDRAULIC GATE DELAY

| <u>ITEM</u> | <u>QTY</u> | <u>PART #</u> | <u>DESCRIPTION</u> |
|-------------|------------|---------------|--|
| 1 | 1 | 69912 | STOP, GATE DELAY |
| 2 | 1 | 60257 | PIN WELDMENT |
| 3 | 3 | 60404 | STAKE SPACER |
| 4 | 3 | YWFL12005 | WASHER, FLAT, 3/8 USS |
| 5 | 3 | YBHH12145 | BOLT, 3/8 X 3-1/2 GR 5 |
| 6 | 6 | YNRL12005 | HEX NUT, REVERSIBLE-SIDE LOCK, 3/8-16 |
| 7 | 3 | YBHH12185 | BOLT, 3/8 X 4-1/2 GR 5 |
| 8 | 4 | YPCT06020 | COTTER PIN, 3/16 X 2 |
| 9 | 1 | 60192 | GATE DELAY CYLINDER PIN |
| 10 | 1 | 55999 | 2" X 8" HYDRAULIC CYLINDER |
| 11 | 2 | CHM164 | MALE ELBOW CTX ~ 6-6 CTX |
| 12 | 1 | 60266 | SPRING MOUNT BOLT WELDMENT |
| 13 | 1 | 69903 | WLDMT, BRACKET, GATE DELAY |
| 14 | 1 | 69884 | SPRING |
| 15 | 2 | YWLO16005 | WASHER, LOCK, 1/2 |
| 16 | 1 | YBHH16045 | BOLT, 1/2 X 1-1/4 GR 5 |
| 17 | 1 | S345 | PULLEY SPACER |
| 18 | 1 | 69875 | SHAFT, RND, 3.0 X 1.00 |
| 19 | 1 | 60133 | SPRING SET COLLAR |
| 20 | 1 | YSKP08005 | SET SCREW, SOCKET, KNURLED CUP PT, 1/4 X 1/4 |
| 21 | 2 | 60322 | HOSE- GATE DELAY |
| 22 | 2 | 60321 | CONNECTOR, MALE, NPTF TO JIC |
| 23 | 2 | 33SV71 | SERVICE TEE, 3/4" |
| 24 | 3 | 23N67 | FRONT HOSE BRACKET |
| 25 | 3 | YSHW10020 | HWH TCS "F", 5/16-18 X 1-1/2 |
| 26 | 1 | YBHH16010 | BOLT, 1/2" X 1 GR 5 |

FIGURE 22

TIEDOWN



| <u>ITEM</u> | <u>QTY</u> | <u>PART #</u> | <u>DESCRIPTION</u> |
|-------------|------------|---------------|-------------------------------------|
| 1 | 16 | FBC6 | MOUNT BOLT (24") |
| 2 | 16 | FBC5 | CHASSIS MOUNT PLATE |
| 3 | 32 | YNNY24006 | HEX NUT, NYLON LOCKNUT, 3/4" (FINE) |
| 4 | 2 | S509 | CHASSIS SPACER 1" x 4" x 22' |

NOTE: * (AS SHOWN ON 22' BOX)

H&S MFG. CO.

products approved

for the

FEMA

SEAL OF QUALITY

