



**3108/3110/3112**

# **OPERATOR'S MANUAL**



## **WARNING**

**READ AND UNDERSTAND THIS MANUAL BEFORE OPERATING THIS EQUIPMENT. UNSAFE OPERATION OR MAINTENANCE OF THIS EQUIPMENT CAN RESULT IN SERIOUS INJURY OR DEATH.**

Revision #01

3108 Serial #61103 & 611008, Starting serial #711010

3110 Serial #712032-712040, 712042-712059, Starting Serial #712061

3112 Serial #613019-613021, 613028, 613030, 601031, Starting Serial #713036

HSMFG0117

Part #75891

**Manufactured By**  
**H&S MANUFACTURING CO.,INC.**

**P.O. BOX 768 (715) 387-3414 FAX (715) 384-5463**  
**MARSHFIELD, WISCONSIN 54449**

# CONTENTS

Warranty & Warranty Registration Card .....	1-2
Manufacturers Statement .....	2
Dealer Pre-Delivery Checklist .....	3
Delivery Checklist .....	5
Safety Information - Be Alert Symbol .....	7
Safety Information - Explanation of Safety Signs .....	8
Safety Decals .....	9
Safety Information - Warning - Owner Must Read and Understand .....	10
Cap Screw Torque Value .....	11
Set-Up & Assembly .....	12
Transporting .....	13
Preparing for Operation .....	14
Operation & Adjustments .....	15-17
Optional Equipment .....	18
Lubrication Guide .....	19-20
Decal Location .....	21-24
Troubleshooting Guide .....	25
Service Notes .....	26
Specifications .....	Inside Back Cover

# WARRANTY

## H&S WARRANTY

H&S Manufacturing Co., Inc. ("H&S") warrants this product to be free from defect in material and workmanship. Except as noted below, this warranty term is twelve (12) months from the date of delivery of the product to the original purchaser by an authorized H&S dealer. Under this warranty, H&S will repair or replace, at its option, any covered part which is found to be defective in material or workmanship during the applicable warranty term. In no case will the covered repair cost of a part or parts exceed the replacement cost of that part. Warranty service must be performed by H&S or a dealer authorized by H&S to sell and/or service the product involved, which will use only new or remanufactured parts or components furnished by H&S. This warranty includes approved parts and labor to fix the product but does not include, and the purchaser is responsible for, any service call and/or transportation of the product to and from the dealer's place of business, for any premium charged for overtime labor requested by the purchaser, and for any service work not directly related to any defect covered under this warranty. This warranty includes only those components of the product manufactured by H&S. Warranty for any component not manufactured by H&S including, but not limited to, engines, batteries, tires, rims, hydraulic motors, pumps, etc. are covered by the warranty, if any, provided separately by their respective manufacturers.

This warranty in all its parts, is extended solely to the original purchaser of the product, is terminated upon any subsequent transfer or sale from or by the original purchaser and extends no third party benefits or rights whatsoever.

The warranty term for any product used in any commercial, custom, for hire or rental application, is limited to six (6) months from the date of delivery of the product to the original purchaser or the first day of service, whichever comes first, by an authorized H&S dealer.

Floor and side panels utilized in H&S Manure Spreaders are warranted, to the original purchaser, to not wear through or delaminate for 10 years when used to spread normal agricultural manure. The frame, sides, end, floor and roof of forage boxes are warranted to not wear or rust through for 10 years when the forage box is used to transport freshly chopped forage. These specific warranties include only replacement of any defective panel part without any allowance for labor beyond the terms of the standard H&S 12 month warranty.

For commercial, custom for hire, or rental application, warranty is limited to 6 months from the date of delivery to the original purchaser, or the first day in service, whichever is earlier.

This warranty does not include: (1) Any product that has been altered or modified in ways not approved by H&S; (2) Depreciation or damage caused by normal wear, misuse, improper or insufficient maintenance, improper operation, accident or failure to follow the product Operator's Manual recommendations and product decal recommendations; (3) Normal maintenance parts and service; (4) Repairs made with parts other than those available from H&S or performed by anyone other than H&S or a dealer authorized by H&S to sell and/or service the product involved.

To secure warranty service the purchaser must report the product defect to a dealer authorized by H&S to sell and/or service the product involved within the applicable warranty term together with evidence of the warranty start date and make the product available to that dealer within a reasonable period of time.

**HERE ARE NO WARRANTIES WHICH EXTEND BEYOND THE DESCRIPTION ON THE FACE OF THIS WARRANTY.** H&S and the companies affiliated with it makes no warranties, representations, or promises, express or implied, as to the performance or freedom from defect of its products other than those set forth above and **NO IMPLIED WARRANTY OF MERCHANTABILITY, FITNESS OR FITNESS FOR A PARTICULAR PURPOSE IS MADE. IN NO EVENT WILL THE DEALER, H&S OR ANY COMPANY AFFILIATED WITH H&S BE LIABLE FOR INCIDENTAL OR CONSEQUENTIAL DAMAGES.** The **ONLY REMEDY** the purchaser has in connection with the breach of performance of any warranty on H&S products are those set forth above.

The selling dealer has no authority to make any representation or promise on behalf of H&S, or to modify the terms or limitations of this warranty in any way.

12/13

**FILL OUT  
AND MAIL  
IMMEDIATELY  
TO MAKE  
WARRANTY  
EFFECTIVE**



### WARRANTY REGISTRATION

Date of Purchase \_\_\_\_\_

Purchaser \_\_\_\_\_ Address \_\_\_\_\_

City \_\_\_\_\_ State \_\_\_\_\_ Zip \_\_\_\_\_

Product \_\_\_\_\_ Model# \_\_\_\_\_ Serial# \_\_\_\_\_

Dealer \_\_\_\_\_ Address \_\_\_\_\_

City \_\_\_\_\_ State \_\_\_\_\_ Zip \_\_\_\_\_

\_\_\_\_\_  
Signature of Original Buyer

# MANUFACTURER'S STATEMENT

Your New H&S Product has been manufactured of the finest quality materials and components. The performance you get from your machine is largely dependent upon how well you read and understand this manual and apply this knowledge. There is a right and a wrong way to do everything. Please do not assume that you know how to operate and maintain your Machine before reading this manual carefully. Keep this manual available for ready reference.

## IMPORTANT!

Tear on the dotted line, provide the information requested on the card. The H&S Warranty is valid "only" after this card is received and recorded at H&S Manufacturing Co., Inc. Mail at once. No postage is required in the U.S.A.



NO POSTAGE  
NECESSARY  
IF MAILED  
IN THE  
UNITED STATES

### **BUSINESS REPLY MAIL**

FIRST CLASS MAIL Permit No.195 Marshfield, WI 54449

POSTAGE WILL BE PAID BY ADDRESSEE

**H&S Manufacturing Co., Inc.**  
PO Box 768  
Marshfield, WI 54449-9963





# DEALER PRE-DELIVERY CHECK LIST

## **AFTER COMPLETION, DEALER SHOULD REMOVE AND RETAIN FOR RECORDS**

After the Rake has been completely set-up, check to be certain it is in correct operating order before delivering to the customer. The following is a list of points to inspect. Check off each item as you have made the proper adjustments and found the item operating satisfactorily.

- Rake was not damaged in shipment. Check for dents and loose or missing parts. Report damage immediately to H&S Manufacturing Co., Inc.
- Rake has been correctly assembled according to the set-up instruction document, and instructions in this manual .
- Wheel nuts are torqued per torque specifications.
- All bolts and fasteners are tight.
- All grease fittings have been lubricated. See Lubrication Chapter of this manual for details.
- Hoses and fittings are properly attached and there are no visible leaks.
- All mechanisms are operating trouble free.
- Rake wheels touch ground in unison when lowered into position. (Rake setting level)
- Wheels are properly mounted.
- Tires are inflated to correct pressure. (ST205/75R15 - 25-30 PSI)
- Decals are in place and legible.

Model Number \_\_\_\_\_

Serial Number \_\_\_\_\_

Dealer's Name \_\_\_\_\_

Inspection Date \_\_\_\_\_

Signature of Pre-Delivery Inspector \_\_\_\_\_

(Remove Dealers File Copy At Perforation)

**Intentionally Left Blank**

# DEALER DELIVERY CHECK LIST

## **AFTER COMPLETION, DEALER SHOULD REMOVE AND RETAIN FOR RECORDS**

This check list that follows is an important reminder of valuable information that should be passed on to the customer at the time this Rake is delivered.

Check off each item as you explain it to the customer.

This delivery check list, when properly filled out and signed assures the customer that the Pre-delivery service was satisfactorily performed.

- Explain to the customer that the pre-delivery inspection was made.
- Explain to the customer all the safety precautions they must exercise when operating this unit.
- Explain raking and windrow width adjustments.
- Explain to customer that regular lubrication is required for proper operation and long life of machine.
- Show customer the lubrication section of Owner's Manual.
- Give the customer Owner's Manual and make sure they read and understand all operating and service instructions.
- Have the customer sign a completed "Warranty Registration", and mail it.

Date Delivered \_\_\_\_\_

Dealer's Name \_\_\_\_\_

By \_\_\_\_\_

Signature of Original Buyer \_\_\_\_\_

Note: Warranty is not valid until warranty card is completed and returned to H&S Mfg. Co., Inc.

**Intentionally Left Blank**



## SAFETY INFORMATION



**BE  
ALERT!**

**YOUR SAFETY  
IS INVOLVED.**

THIS SYMBOL IS USED THROUGHOUT THIS BOOK WHENEVER YOUR PERSONAL SAFETY IS INVOLVED. TAKE TIME TO BE CAREFUL. REMEMBER: THE CAREFUL OPERATOR IS THE BEST OPERATOR. MOST ACCIDENTS ARE CAUSED BY HUMAN ERROR. CERTAIN PRECAUTIONS MUST BE OBSERVED TO PREVENT THE POSSIBILITY OF INJURY OR DAMAGE.

**H&S MANUFACTURING CO., INC.**

# SAFETY INFORMATION

Keep signs in good condition. Immediately replace any missing or damaged signs.

## RECOGNIZE SAFETY INFORMATION

This is the safety-alert symbol. When you see this symbol on your machine or in this manual, be alert to the potential for personal injury.

Follow recommended precautions and safe operating practices.



## UNDERSTAND SIGNAL WORDS

A single word; DANGER, WARNING, or CAUTION is used with the safety-alert symbol. DANGER identifies the most serious hazards.

Safety signs with signal word DANGER or WARNING are typically near specific hazards.

General precautions are listed on CAUTION safety signs.



**WARNING**



**CAUTION**



## FOLLOW SAFETY INSTRUCTIONS

Carefully read all safety messages in this manual, and all safety signs on your machine. Follow all recommended precautions and safe operating procedures.

## OBSERVE MAXIMUM TRANSPORT SPEED

The maximum transport speed for this implement is 32 km/h (20 m.p.h.).

Some tractors are capable of operating at speeds that exceed the maximum transport speed of this implement. Regardless of the maximum speed capability of the tractor being used to tow this implement, do not exceed the implement's maximum transport speed.

Exceeding the implements maximum transport speed can result in:

- \* Loss of control of the tractor/implement combination
- \* Reduced or no ability to stop during braking
- \* Implement tire failure
- \* Damage to the implement structure or its components

Use additional caution and reduce speed when towing under adverse surface conditions, when turning, and when on inclines.

Do not attempt transport if the fully loaded implement weighs more than 1.5 times the weight of the tractor.



# SAFETY INFORMATION

	<b>⚠ WARNING</b>
	<p>STAY CLEAR OF RAKE WHEN RAISING OR LOWERING RAKE WHEELS.</p> <p>FAILURE TO HEED THIS WARNING MAY RESULT IN PERSONAL INJURY OR DEATH.</p> <p>KEEP CLOTHING, YOURSELF AND OTHERS WELL CLEAR.</p> <p style="text-align: right;">2700A</p>

	<b>⚠ WARNING</b>
	<p>CLOSE HYDRAULIC LOCKING VALVE FOR SERVICE, TRANSPORT, OR WHEN RAKING WITH ONE SIDE.</p> <p>FAILURE TO HEED THIS WARNING MAY RESULT IN PERSONAL INJURY OR DEATH.</p> <p style="text-align: right;">DC31811</p>

	<b>⚠ WARNING</b>
	<p><b>DO NOT GO NEAR LEAKS</b></p> <ul style="list-style-type: none"> <li>• High pressure oil easily punctures skin causing serious injury, gangrene or death.</li> <li>• If injured, seek emergency medical help. Immediate surgery is required to remove oil.</li> <li>• Do not use finger or skin to check for leaks.</li> <li>• Lower load or relieve hydraulic pressure before loosening fittings.</li> </ul> <p style="text-align: right;">11599</p>

<b>⚠ WARNING</b>

<p>STAY CLEAR OF RAKE WHEN RAISING OR LOWERING RAKE WHEELS.</p> <p>FAILURE TO HEED THIS WARNING MAY RESULT IN PERSONAL INJURY OR DEATH.</p> <p>KEEP CLOTHING, YOURSELF AND OTHERS WELL CLEAR.</p> <p style="text-align: right;">2700B</p>

<b>⚠ WARNING</b>	
	<b>STAY CLEAR</b>
<p>1906C</p>	

<b>⚠ WARNING</b>		
		
<b>CRUSHING HAZARD</b>		
<p><b>TO PREVENT SERIOUS INJURY OR DEATH:</b></p> <p><b>KEEP HANDS AND BODY OUT OF HITCH AREA WHEN ATTACHING TOWING VEHICLE.</b></p> <p><b>KEEP BODY CLEAR OF CRUSH POINT BETWEEN TOWING VEHICLE AND LOAD.</b></p> <p><b>KEEP FEET AND LEGS CLEAR FROM UNDER TONGUE AREA IN CASE OF POSSIBLE JACK FAILURE.</b></p> <p style="text-align: right;">82602</p>		

<b>⚠ DANGER</b>

<b>NEVER ALLOW RIDERS ON THIS MACHINE</b>
<p>82907L</p>

<b>⚠ WARNING</b>
<b>HELP AVOID INJURY</b>
<ul style="list-style-type: none"> <li>• READ &amp; UNDERSTAND THE OPERATORS MANUAL PROVIDED WITH THIS MACHINE. IF MISPLACED CALL H &amp; S MANUFACTURING AT 715-387-3414 WITH MODEL AND SERIAL NUMBER.</li> <li>• UNDERSTAND ALL SAFETY WARNINGS AND FUNCTION OF CONTROLS.</li> <li>• KEEP SAFETY DEVICES IN PLACE AND WORKING.</li> <li>• KEEP YOURSELF AND OTHERS WELL CLEAR OF MOVING PARTS.</li> <li>• DISCONNECT ALL POWER BEFORE SERVICING OR CLEANING THIS MACHINE.</li> <li>• DO NOT EXCEED 20 MPH</li> </ul> <p style="text-align: right;">72203A</p>

## **TRACTOR:**

This operators manual uses the term “Tractor” when identifying the power source.



### **TO PREVENT SERIOUS INJURY OR DEATH**

BEFORE YOU ATTEMPT TO OPERATE THIS EQUIPMENT, READ AND STUDY THE FOLLOWING INFORMATION. IN ADDITION, MAKE SURE THAT EVERY INDIVIDUAL WHO OPERATES OR WORKS WITH THIS EQUIPMENT, WHETHER FAMILY MEMBER OR EMPLOYEE, IS FAMILIAR WITH THESE SAFETY PRECAUTIONS.

**If the machine becomes clogged or for servicing, Stop the tractor engine, remove ignition key and allow all mechanisms to stop.**

**Before cleaning or working on the machine, completely disengage the tractor hydraulics. IF THE RAKE ARMS ARE IN THE RAISED POSITION, MAKE SURE THE HYDRAULIC TRANSPORT LOCK VALVES TO LOCK THE RAKE ARMS ARE IN THE CLOSED POSITION BEFORE DISCONNECTING THE HYDRAULIC HOSES.**

**DO NOT** attempt to perform maintenance or repair with tractor running and hydraulic hoses connected to the tractor.

**DO NOT ALLOW PERSONNEL OTHER THAN THE QUALIFIED OPERATOR NEAR THE RAKE.**

**DO NOT** step up on machine at any time.

**DO NOT** allow minors to operate or be near the machine.

Stay clear of rake when raising or lowering main rake beams.

Stay clear of hydraulic lines, they may be under extreme pressure or heat.

For transport and storage, always make sure that the transport lock valves are in the closed position.

H&S Manufacturing always takes the operator and his safety into consideration and guards exposed moving parts for their protection. However, some areas cannot be guarded or shielded in order to assure proper operation. In addition, the operators manual and decals on the machine itself warn you of further danger and should be read and observed closely.

**Study The Above Safety Rules  
ATTENTION - BE ALERT - YOUR SAFETY IS INVOLVED**

# CAP SCREW TORQUE VALUES

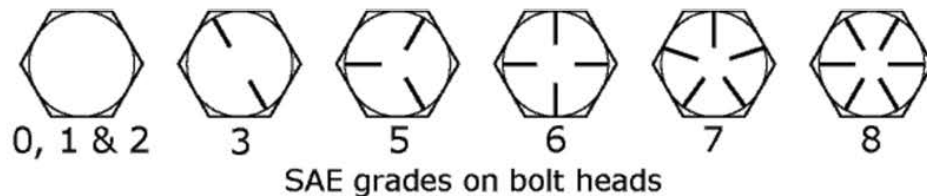
The specifications below are the torque values for fasteners as it adheres to the SAE torque value standards. All fasteners should be torqued to the proper values found in the figures below unless otherwise specified by the engineering drawing.

Lubed torque would be any fastener that has grease, liquid Loctite, oil, etc. on the threads.

Dry torque would be any fastener which has threads that are clean and dry and do not have any liquid Loctite or grease on them.

## Hex Head Fasteners

The figure shown below shows how to determine what grade a fastener is.



SUGGESTED ASSEMBLY TORQUE VALUES							WORKING TORQUE			
Diam & Thrds Per Inch	SAE GRADE 2 -6"		SAE GRADE 5		SAE GRADE 8		18-8 SS	316 SS	BRASS	SILICON BRONZE
	Dry FT. LB.	LUB FT. LB.	Dry FT. LB.	LUB FT. LB.	Dry FT.LB.	LUB FT. LB.	IN LBS	IN LBS	IN LBS	IN LBS
1/4-20	5.5	4.2	8	6.3	12	9	75.2	78.8	61.5	68.6
1/4-28	6.3	4.7	10	7.2	14	10	94.0	99.0	77.0	87.0
5/16-18	11	8	17	13	24	18	132	138	107	123
5/16-24	12	9	19	14	27	20	142	147	116	131
3/8-16	20	15	30	23	45	35	236	247	192	219
3/8-24	23	17	35	25	50	35	259	271	212	240
7/16-14	32	24	50	35	70	50	376	393	317	349
7/16-20	36	27	55	40	80	60	400	418	327	371
1/2-13	50	35	75	55	110	80	517	542	422	480
1/2-20	55	40	85	65	120	90	541	565	443	502
9/16-12	70	55	110	80	150	110	682	713	558	632
9/16-18	80	60	120	90	170	130	752	787	615	697
5/8-11	100	75	150	110	210	160	1110	1160	907	1030
5/8-18	110	85	170	130	240	180	1244	1301	1016	1154
3/4-10	175	130	260	200	380	280	1530	1582	1249	1416
3/4-16	200	140	300	220	420	310	1490	1558	1220	1382
7/8-9	170	125	430	320	600	450	2328	2430	1905	2140
7/8-14	180	140	470	350	670	500	2318	2420	1895	2130
1-8	250	190	640	480	910	680	3440	3595	2815	3185
1-14	280	210	720	540	1020	760	3110	3250	2545	2885



## **SET-UP & ASSEMBLY**

**NOTE:** Determine right or left side of the Rake by viewing it from the rear. If instructions or parts lists call for hardened bolts, refer to the Cap Screw Torque Value page to identify.

1. Assemble the Rake or check the Rake for proper assembly and adjustment. Make sure that all bolts are tightened.
2. Attach the wheels with tires, using the lug nuts furnished and torque the mounting hardware to 85-95 ft./lbs. of torque. Check wheel bolts periodically thereafter.
3. Check tires and inflate to the recommended pressure for field use. (ST205/75R15 - 25-30 PSI)
4. Lubricate the rake completely. (See Lubrication Chapter in This Manual)
5. Tooth bolts must be torqued to 40 ft./lbs. to help prevent excessive tooth breakage.  
**Re-torque rake tooth bolts after the first 100 acres. Check periodically thereafter.**

# TRANSPORTING

## TRANSPORT LOCKS

There are two hydraulic transport lock valves on the rake that must be turned to the closed position during transport in case of tractor valve leakage, or hose breakage.

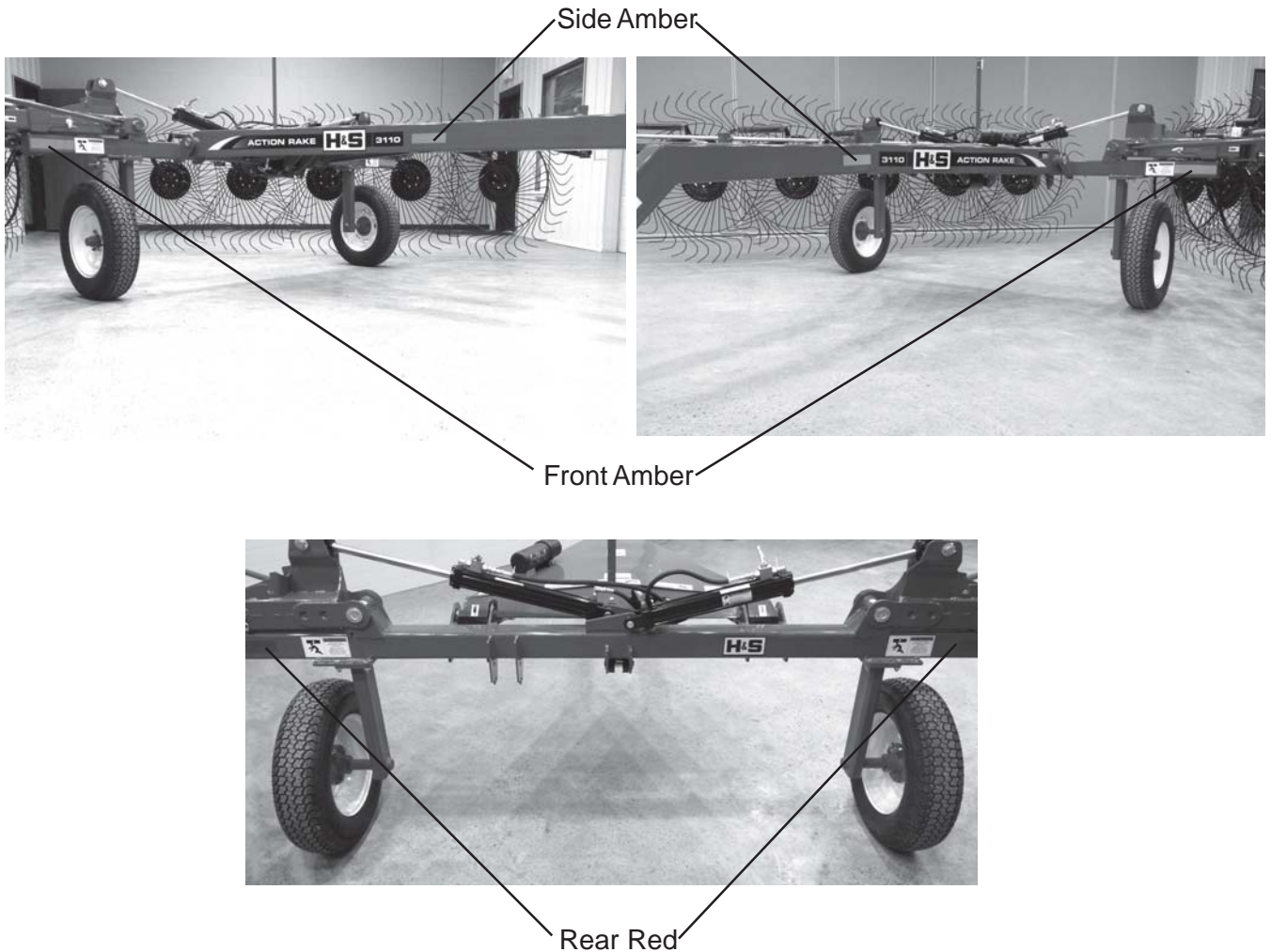


## TOWING ON HIGHWAY

Follow state and local regulations when towing farm equipment on public highways. Never tow the rake on a public highway at a speed greater than 20 m.p.h. (32 kph).

## REFLECTORS

Front, side amber & rear red reflective decals on the outer edges of the rake for safety.





# PREPARING FOR OPERATION

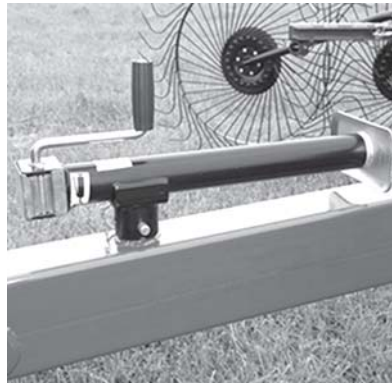
## ADJUSTMENTS

There are 5 sets of holes on the adjustable hitch. In addition, the hitch can also be flipped upside down to obtain 5 more positions, for a total of 10 positions to adjust for levelness.

1. Attach rake to tractor with a **hitch pin that has a safety locking device**. The hitch should be adjusted so the pole/tongue is level. The main rake beams should also be level, or parallel to the ground when in the raking position. If the rake beams are not level, refer to the **OPERATION & ADJUSTMENT** Chapter in this Operator's Manual for adjustment information.



2. Remove the weight from the lift jack. Place the jack in the storage position.



3. Connect the 2 hydraulic hoses for raising and lowering rake arms to the tractor. Open the 2 hydraulic transport lock valves and operate the tractor valve to fill the hydraulic lines and operate the cylinders. Add hydraulic fluid to the tractor system, as required.



## “Kwik Pik” System

The “Kwik Pik” system allows the operator to raise the rake wheels half way up, then lower it to the raking position. Both wings should touch the ground at approximately the same time. This system allows for a quicker turn around at the end of the field.

When you have finished raking, and after the rake arms have returned to the transport position, close the transport lock valves before transporting.

# OPERATION & ADJUSTMENTS

## EMERGENCY SHUTDOWN

Stop the tractor engine, remove ignition key, and allow all mechanisms to stop before cleaning or working on the machine.

## IMPORTANT:

Retighten all bolts on the rake after 100 acres as bolts can loosen up on new machinery.

**Re-torque rake tooth bolts after first 100 acres. Check periodically thereafter.**

## TRANSPORT LOCKS

Before the rake arms can be hydraulically lowered for raking, the two hydraulic transport lock valves on the rake that must be turned to the open position.



## RAKING WIDTH ADJUSTMENT

There are ten width adjustments on the 10 & 12 wheel rake beam, and 6 width adjustments on the 8 wheel. The beam angle link also has an adjustable eye on the end for fine tuning the raking & windrow width.

Each rake beam angle can be adjusted independently for multiple raking conditions.



## WINDROW WIDTH ADJUSTMENT

Remove the jack from jack storage position. Position the jack mount tube on the top of the rake beam pin with the jack foot in position as shown. Remove the pin and clip from the rake arm.

The windrow width can now be adjusted on each side of the rake. There are three adjustments. After the desired windrow width has been reached, re-insert the pin in the desired hole, remove the jack and return it to the storage position.



# **OPERATION & ADJUSTMENTS**

## **RAKE BEAM LEVEL ADJUSTMENT**

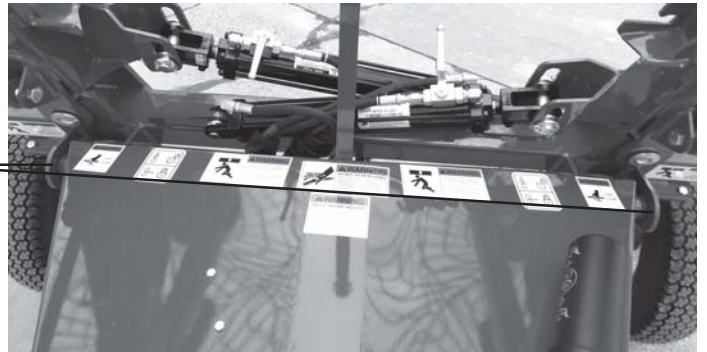
After the pole/tongue has been leveled, and the rake lowered to the raking position, check the levelness of the right and left rake beams. If the rake beams are not level, follow the procedure below to adjust levelness;

1. Remove the cotter pin and clevis pin from the back cylinder clevis.
2. Loosen the clevis bolt or set screw.
3. If the front of the rake beam measures higher from the ground than the back of the rake beam, extend the cylinder clevis out a couple of threads. If the front of the rake beam measures lower from the ground than the back of the rake beam, turn the clevis onto the rod a thread or two. When the cylinder is collapsed, the cylinder pin center-to-center measurement should be between 14-3/8" to 14-1/2".
4. Tighten the cylinder clevis bolt or set screw and reinstall the clevis pin with cotter pin.



## **HYDRAULIC SYSTEM**

The Rake utilizes a 2 hose hook-up with a Master/Slave cylinder system. When the rake arms are lowered, the axles rotate forward, raising the main frame for more clearance. When the rake arms are raised, the axles rotate rearward, lowering the main frame for transport. This system is incorporated with the raising and lowering of the rake arms.



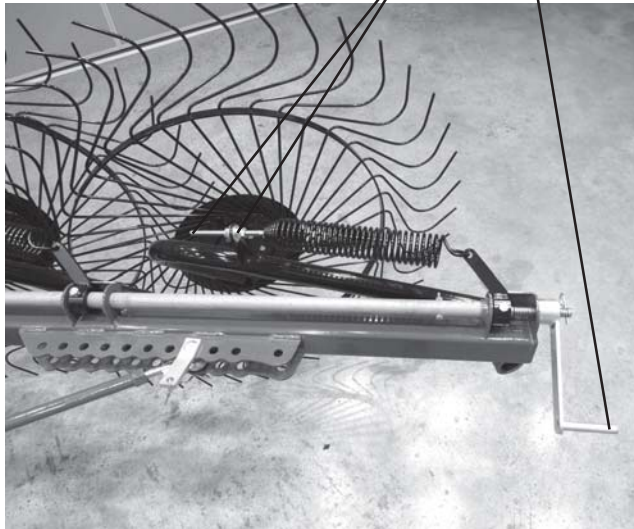
# OPERATION & ADJUSTMENTS

## FLOATATION & FLEXIBILITY

### Rake Wheels

Each rake wheel oscillates independently through the wheel arm mount bolt with the slotted style hole.

Rake wheel floatation pressure on either rake beam can be adjusted by turning the crank handle in either direction for heavier or lighter pressure. The Hex/Jam nut is factory set for the correct spring pressure. The correct distance setting is 4" from the end of the bolt thread to the flat washer next to the Hex/Jam nut combination.



## ONE SIDED RAKING

Raking with one side can be accomplished by closing either of the transport lock valves when the rake is in the transport position. When the tractor remote hydraulic valve is operated, only the rake arm with the hydraulic transport lock valve in the open position will lower into the raking position. The rake arm with the hydraulic transport lock valve in the closed position will stay in the transport position.

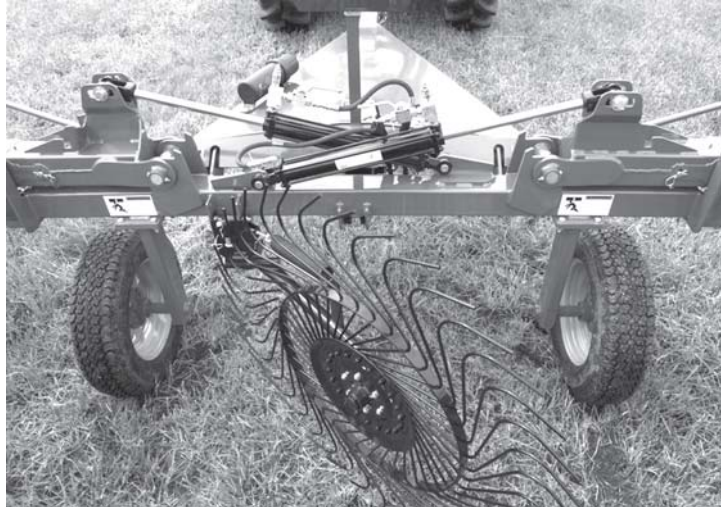
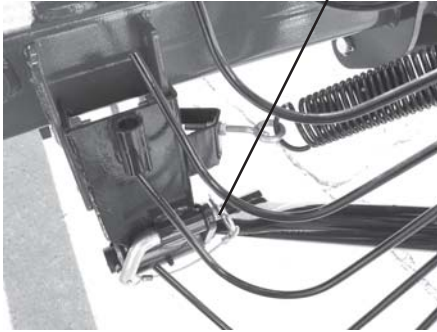




## OPTIONAL EQUIPMENT

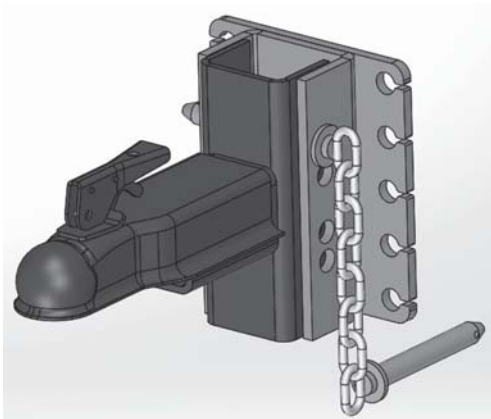
### CENTER KICKER WHEEL

An optional center kicker wheel is available. If the hay is laying out flat, the extra wheel allows you to raise the hay laying in the center of the rake out of the stubble for easier pick-up. The center kicker wheel will raise and lower when the hydraulics are activated. It can also be locked up when it is not in use.



### BALL HITCH

An optional 2-5/16" Adjustable Height Ball Hitch is available in lieu of the clevis style hitch.



# LUBRICATION

Become familiar with all lubrication points and establish a routine to ensure complete lubrication of the rake.

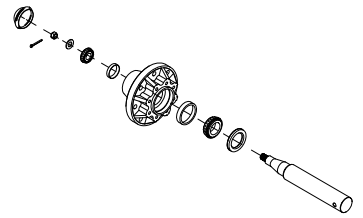
## GENERAL INFORMATION

**IMPORTANT:** *Catch and dispose of fluid per local waste disposal regulations whenever service is performed on hydraulic components, valves, cylinders, hoses, etc.*

## WHEEL BEARING LUBRICATION, CLEAN & RE-PACK INSTRUCTIONS

**Grease wheel bearings as needed depending on amount of travel.**

Annually disassemble and clean parts in a solvent. Pack bearings with a high grade grease. Reassemble, and tighten nut until a slight drag is felt when wheel is turned. Back nut off and insert cotter pin into first hole that you see as you back the nut off, bend cotter pin over and re-install cap.

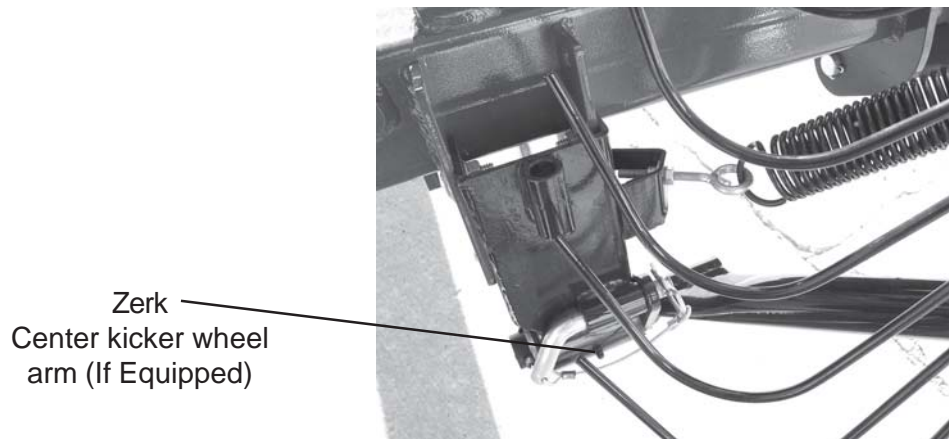


## GREASE FITTINGS

There are numerous grease fittings on the Rake, and 1 on the Center Kicker Wheel. If lubricated properly and often enough, it will prolong the life of your rake. Grease daily during normal use and before and after storage and after power washing. Use a good grade of high quality grease. Make sure that grease comes out around the shaft on sleeve type bearings. Wipe off excessive grease to prevent accumulation of chaff or grit around the bearing. Replace any missing or plugged grease fittings.

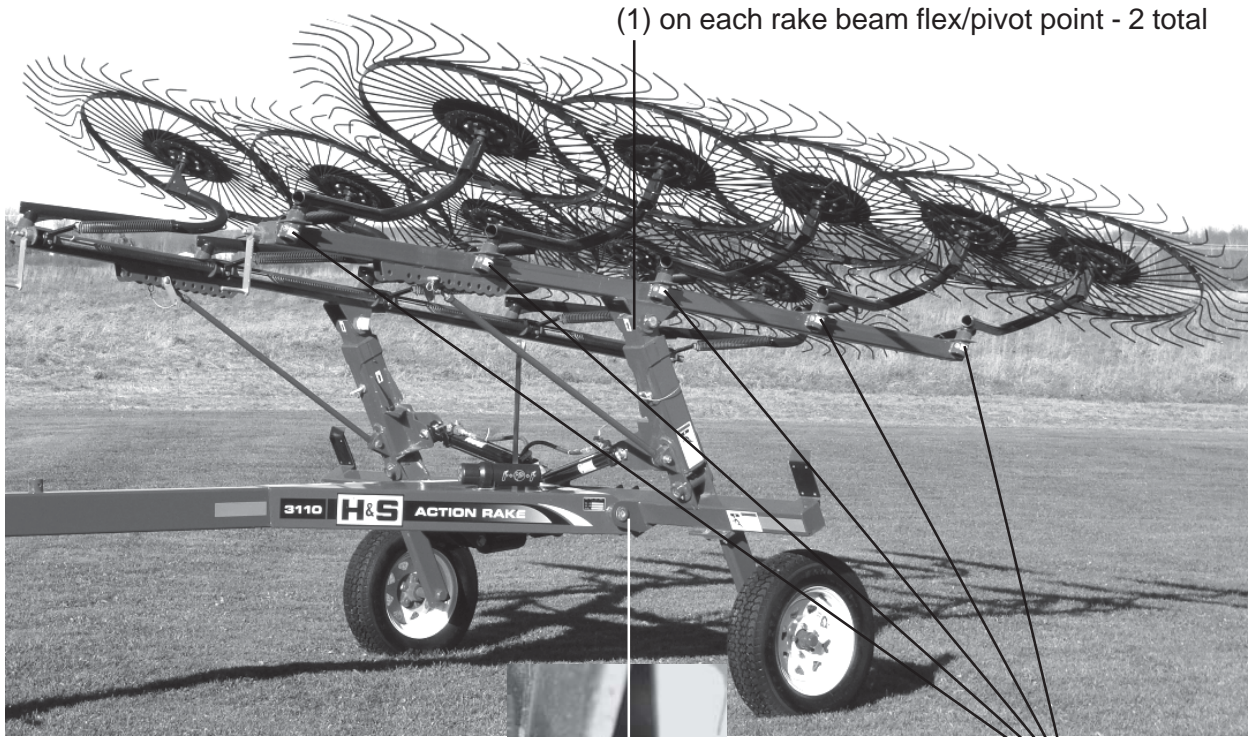
## LOCATION

Listed and shown are the description of location and number of grease fittings.

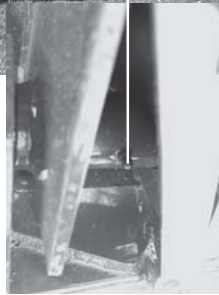


Zerk  
Center kicker wheel  
arm (If Equipped)

# LUBRICATION



NOTE: LUBRICATION POINTS ARE THE SAME ON THE RIGHT SIDE AS THE LEFT SIDE



(2) 1 on the bottom of each "ACTION" pivot point

(1) on each rake arm pivot point



(1) on each rake wheel hub assembly

(2) on the top of each lift arm



(1) on each lift arm pivot point



(1) on the jack



# DECAL LOCATION

Your H&S Rake was manufactured with operator safety in mind. Located on the rake are various decals to aid in operation, and warn of caution areas. Pay close attention to all decals.

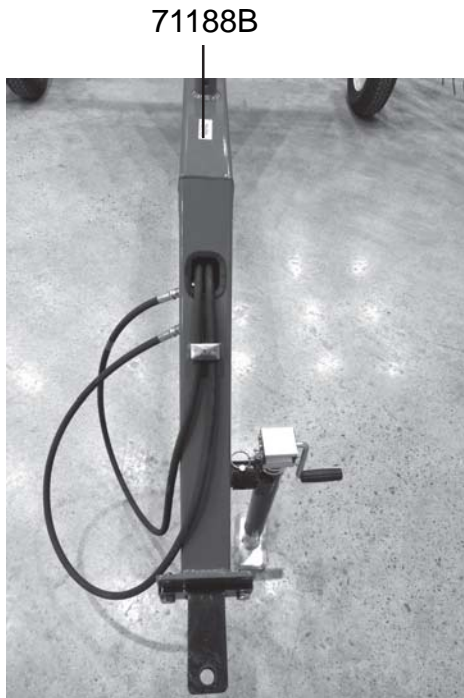
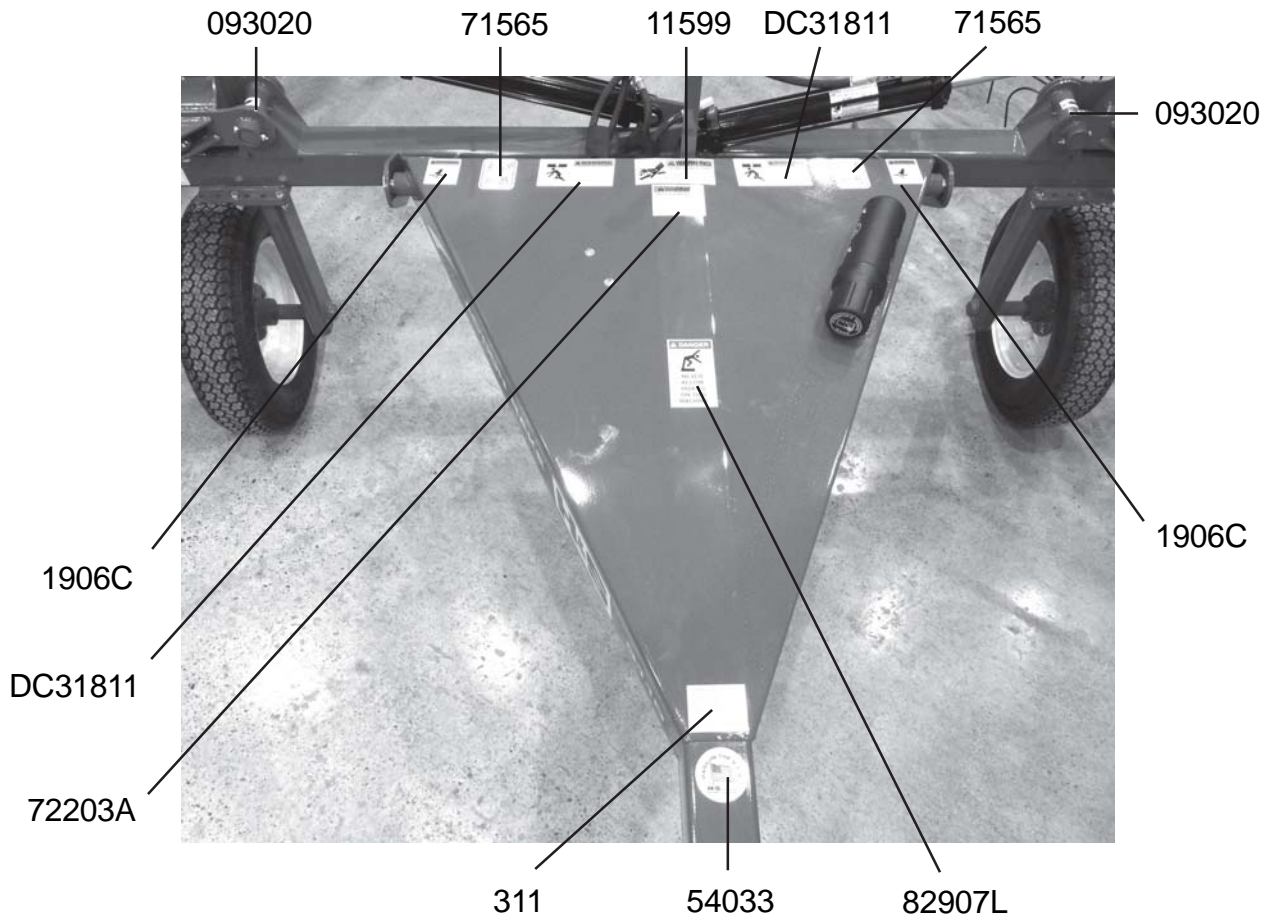


**DO NOT REMOVE ANY OF THESE DECALS. IF DECALS ARE LOST, DAMAGED, OR IF CARTED WHEEL RAKE IS REPAINTED, REPLACE DECALS. REMEMBER: DECALS ARE FOR YOUR PROTECTION AND INFORMATION.**

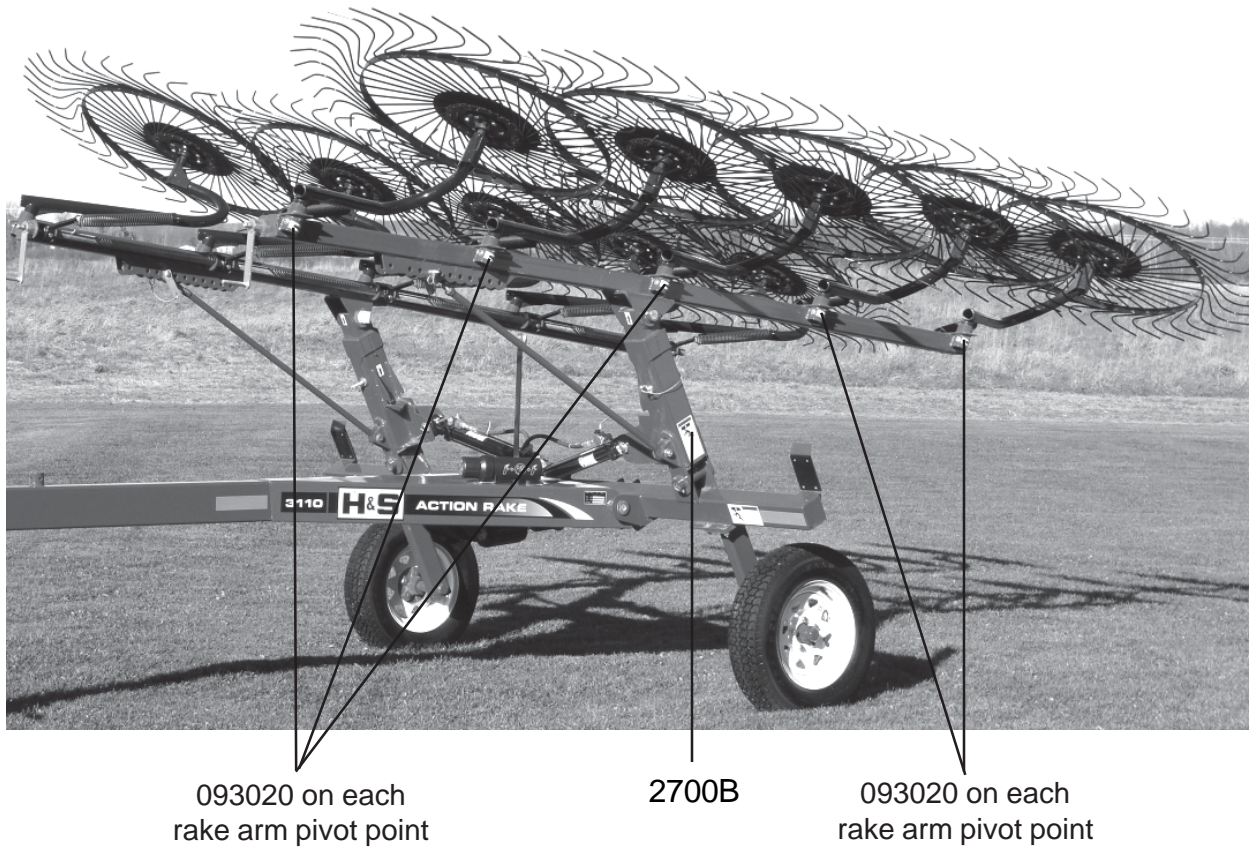
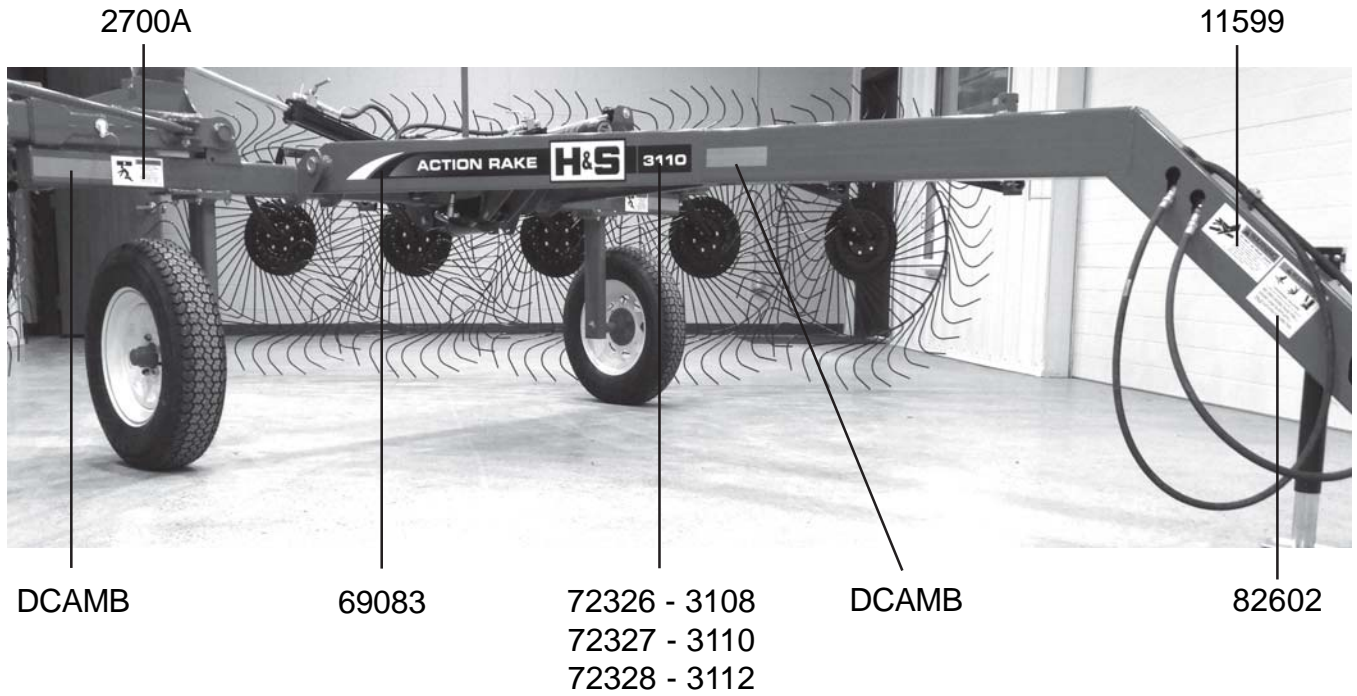
Listed below are the decals on your Rake.

<u>Part #</u>	<u>Quantity</u>	<u>Description</u>
311	1	Patent Decal
1906C	2	Stay Clear
2700A	4	Stay Clear of Rake
2700B	2	Stay Clear of Rake
11599	3	Do not go near leaks
54033	1	U.S.A.
71188B	1	Jack Storage Position
71565	2	Hydraulic Position Valve
72326	2	3108 Decal
72327	2	3110 Decal
72328	2	3112 Decal
69083	1	Action Rake Decal/Right
69084	1	Action Rake Decal/Left
82602	2	Crushing Hazard
82907L	1	Warning-Do Not Ride
093020	AR	Grease Zerk
B6DC	1	H&S Decal
DC31811	2	Warning-Close Hydraulic Locking Valve
DCAMB	4	Amber Reflector
DCRED	2	Red Reflector
72203A	1	Help avoid injury - Read and understand the operators manual

# DECAL LOCATION



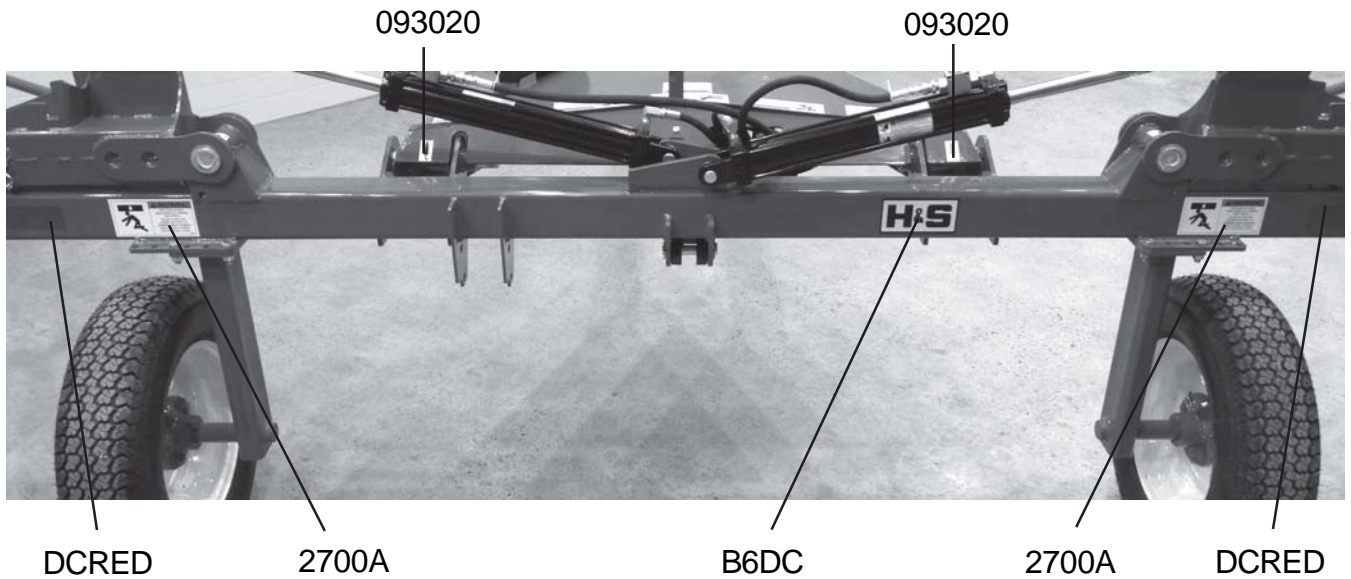
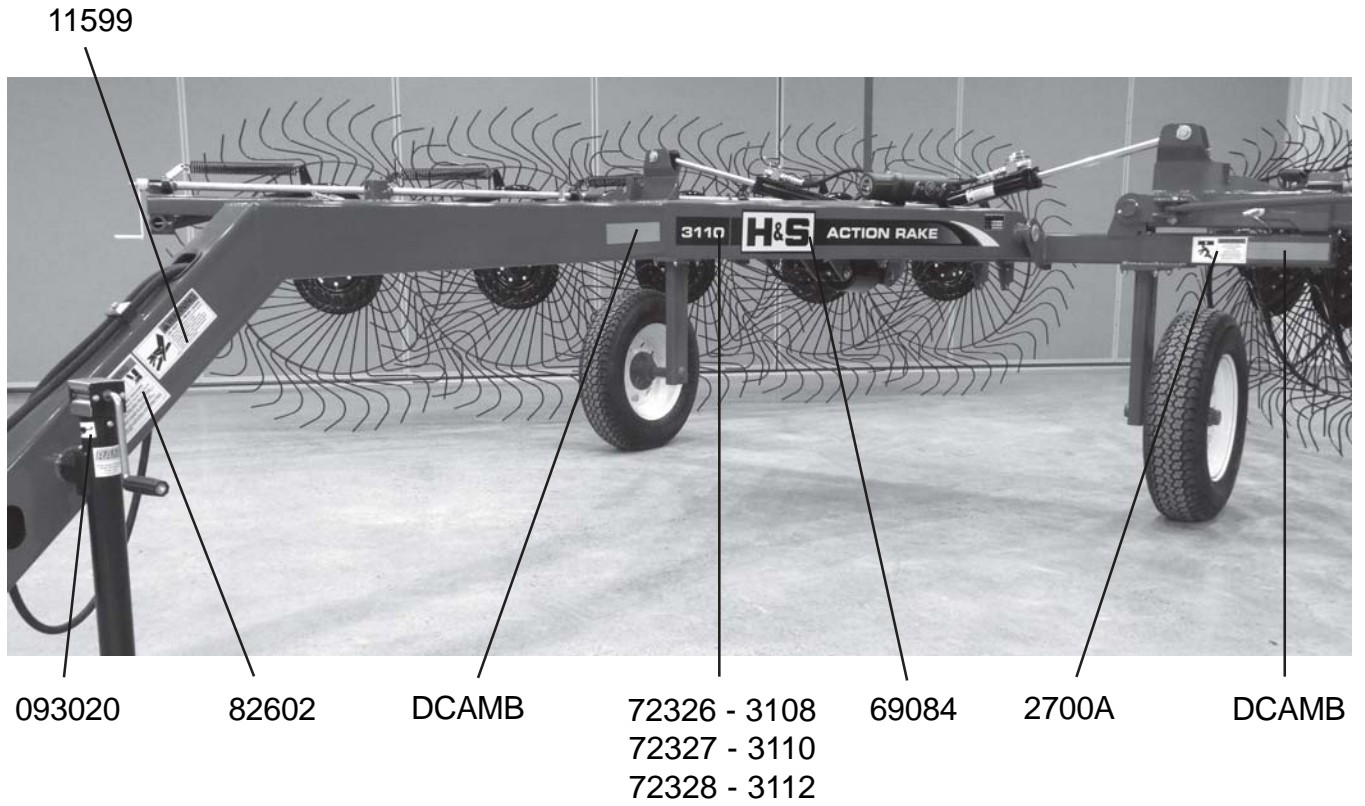
# DECAL LOCATION



NOTE: DECALS & LOCATION ARE THE SAME ON THE RIGHT SIDE AS THE LEFT SIDE



# DECAL LOCATION



# TROUBLESHOOTING

**NOTE:** *This Troubleshooting Chapter presents problems, causes and suggested remedies beyond the extent of loose, worn or missing parts and it was developed with the understanding that the machine is in otherwise good operating condition.*



**WARNING:**

**MAKE SURE THAT THE TRACTOR IS SHUT OFF AND THE RAKE CAN NOT MOVE BEFORE SERVICING THE RAKE. MAINTENANCE AND REPAIR SERVICE WORK TO BE PERFORMED BY A QUALIFIED SERVICE PERSON ONLY.**

<b>PROBLEM</b>	<b>CAUSE</b>	<b>REMEDY</b>
Rake Lifting Arms Will Not Lower	Hydraulic Transport Lock Valve Is In Closed Position	Rotate Transport Lock Valve To Open Position
	Hydraulic Coupler Hoses Not Coupled To Tractor Properly	Couple Hoses To Tractor
Rake Lifting Arms Will Not Raise	Hydraulic Coupler Not Coupled To Tractor Properly	Couple Hose To Tractor
	Tractor Hydraulics Do Not Have Sufficient Pressure	Tractor Should Have At Least 1500 PSI To Operate Rake
	Hydraulic Transport Lock Valve Is In Closed Position	Rotate Transport Lock Valve To Open Position
Rake wheels missing crop	Pole/Tongue not level	Level Pole/Tongue by moving the adjustable hitch
	Rake beams are not level	Adjust rake beam per directions in the <b><u>ADJUSTMENT</u></b> Chapter of this manual
	Not enough rake wheel down pressure	Adjust the crank on the front of each rake beam to increase down pressure
Rake wheels creating dirt/dust in the crop	Too much rake wheel down pressure	Adjust the crank on the front of each rake beam to decrease down pressure



## SPECIFICATIONS

	<b>3108</b>	<b>3110</b>	<b>3112</b>
Number of Wheels.....	8	10	12
Wheel Diameter.....	60"	60"	60"
Teeth per Wheel.....	40	40	40
Tooth Diameter.....	7.5mm	7.5mm	7.5mm
Transport Width.....	10'	10'8"	12'
Transport Length.....	17'	19'	21'6"
Windrow Width Adjustment.....	3'-5'	4'-6'	4'-6'
Raking Width.....	15'-19'	18'-22'	20'-24'
Weight.....	1400 lbs	1670 lbs.	1860 lbs.
Number of Transport Wheels.....	2	2	2
Center Kicker Wheel.....	Optional	Optional	Optional
Rake Wheel Hubs.....	Tapered Bearing		
Wing Flex.....	Limited		
Hitch Jack.....	Standard		
Tires.....	ST205/75R15		



**H&S MFG. CO.**

products approved

for the

**FEMA**

**SEAL OF QUALITY**

