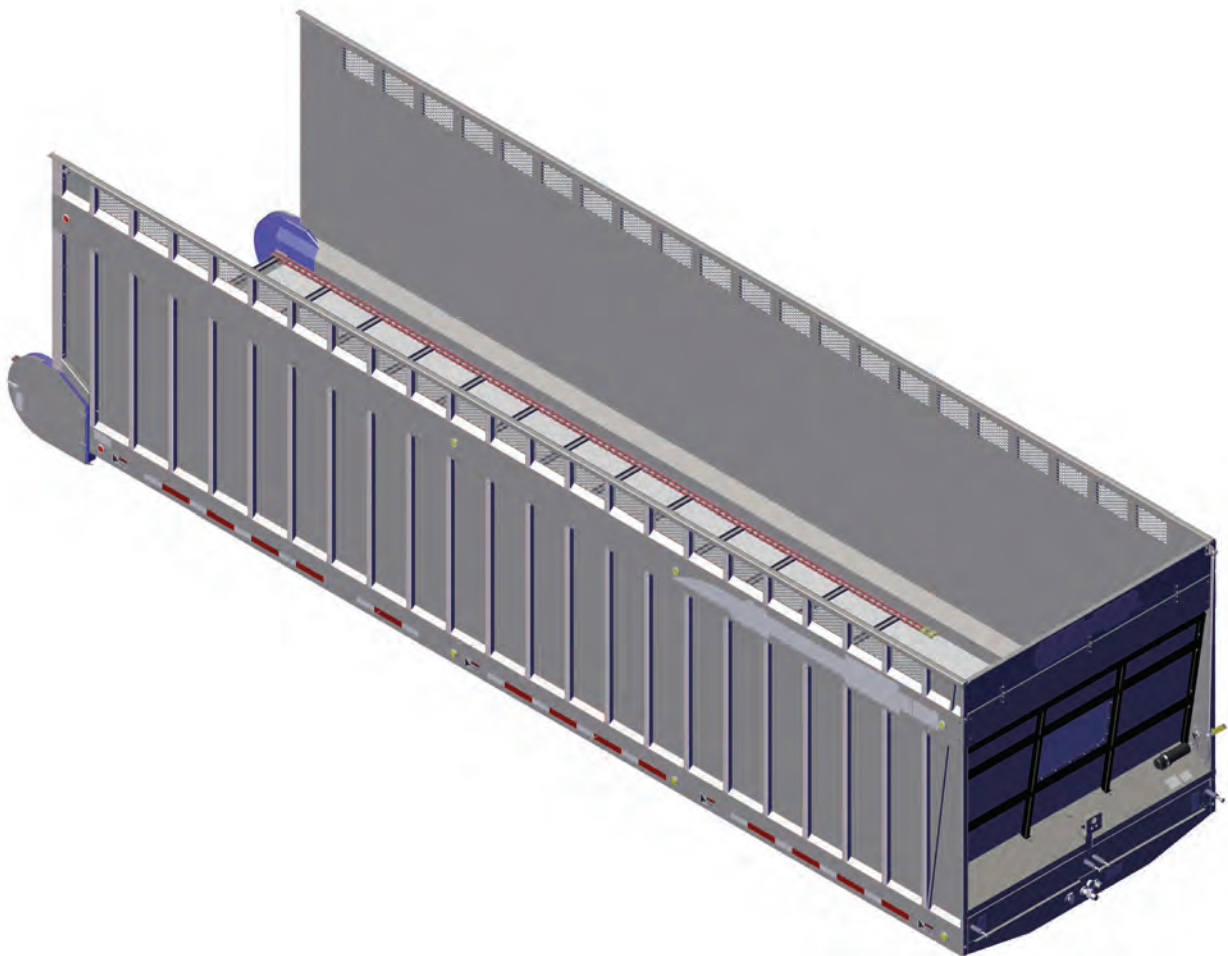




BD1126 BIG DOG FORAGE BOX



Revision #03

Starting Ser. #021BD26001

HSMFG0120

PART#76906

Manufactured By
H&S MANUFACTURING CO., INC.
2608 S. HUME AVE. MARSHFIELD, WI 54449
(715) 387-3414 FAX (715) 384-8736

CONTENTS

Instructions For Ordering Parts – About Improvements	1
Figure 1 - Body Panels LH	2-3
Figure 2 – Body Panels RH	4-5
Figure 3 – Window and Components	6-7
Figure 4 – Front Linkage & Components	8-9
Figure 5 – Front Guards & Components	10-11
Figure 6 – Floor & Components	12-13
Figure 7 – Apron Chain	14-15
Figure 8 – Idler Shaft Components	16-17
Figure 9 – Drive Shaft & Components	18-19
Figure 10 – Drive Sprocket LH	20-21
Figure 11 – Drive Sprocket RH	22-23
Figure 12 – Hydraulics	24-25
Figure 13 – Tail Lights & Components	26-27
Figure 14 – Lights	28-29
Figure 15 – Back Door & Components	30-31
Figure 16 – Optional Barn Doors	32-35
Figure 17 – Optional Air Barn Doors	36-37
Figure 18 – Grain Hopper Kit	38-39
Figure 19 – Hydraulic Flow Control	40-41
Figure 20 - Chassis Mount Kit	42-43
Figure 21 - Screen Filler Kit	44-45
Figure 22 - Roof Hood	46-47
Figure 23 - Electric Drive Flip Tarp	48-49
Figure 24 - Electric Side-to-Side Tarp Option	50-51
Parts Notes	52

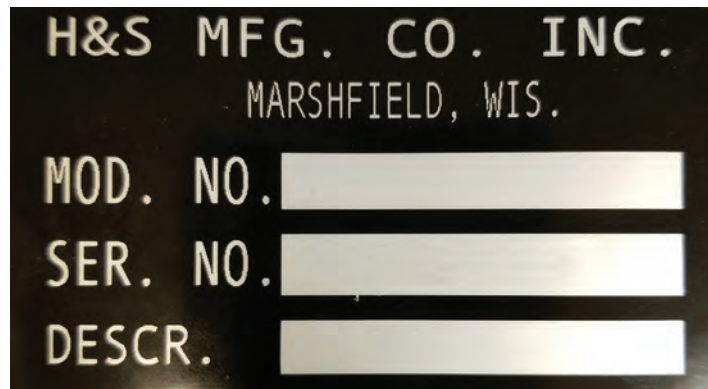
INSTRUCTIONS FOR ORDERING PARTS

All service parts should be ordered through your authorized H&S dealer. He will be able to give you faster service if you will provide them with the following:

1. Model & Serial Number - Both can be located on the left, rear main frame of your unit.
2. All references to left or right apply to the machine as viewed from the rear.
3. Parts should not be ordered from illustration only. Please order complete part number.
4. If your dealer has to order parts - give shipping instructions:

VIA truck - large pieces (please specify local truck lines)

VIA United Parcel Service (include full address)



PLEASE RECORD NUMBERS FOR YOUR UNIT FOR QUICK REFERENCE

ABOUT IMPROVEMENTS

H&S IS CONTINUALLY STRIVING TO IMPROVE IT'S PRODUCTS

We must therefore, reserve the right to make improvements or changes whenever it becomes practical to do so, without incurring any obligation to make changes or additions to the equipment previously sold.

FIGURE 1
BODY PANELS LH

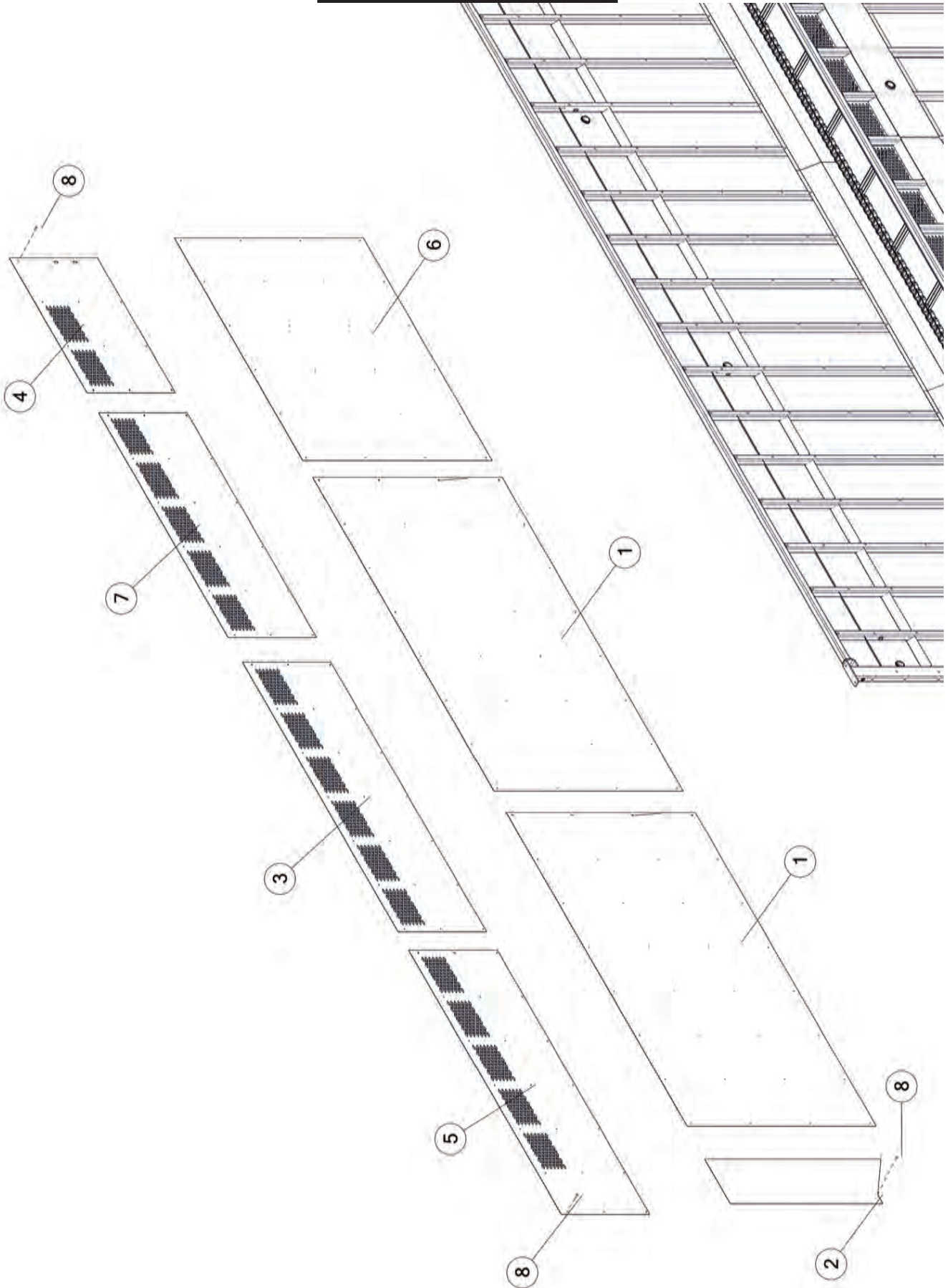


FIGURE 1
BODY PANELS LH

<u>ITEM</u>	<u>QTY</u>	<u>PART#</u>	<u>DESCRIPTION</u>
1	2	78452	PANEL SIDE, CENTER
2	1	79482	PANEL SIDE, BACK
3	1	81793	EXTENSION SIDE CENTER
4	1	81851	EXTENSION SIDE, FRONT
5	1	81852	EXTENSION SIDE, BACK
6	1	81979	PANEL, FRONT
7	1	82669	EXTENSION SIDE, CENTER
8	120	1043	HUCK RIVET

FIGURE 2
BODY PANELS RH

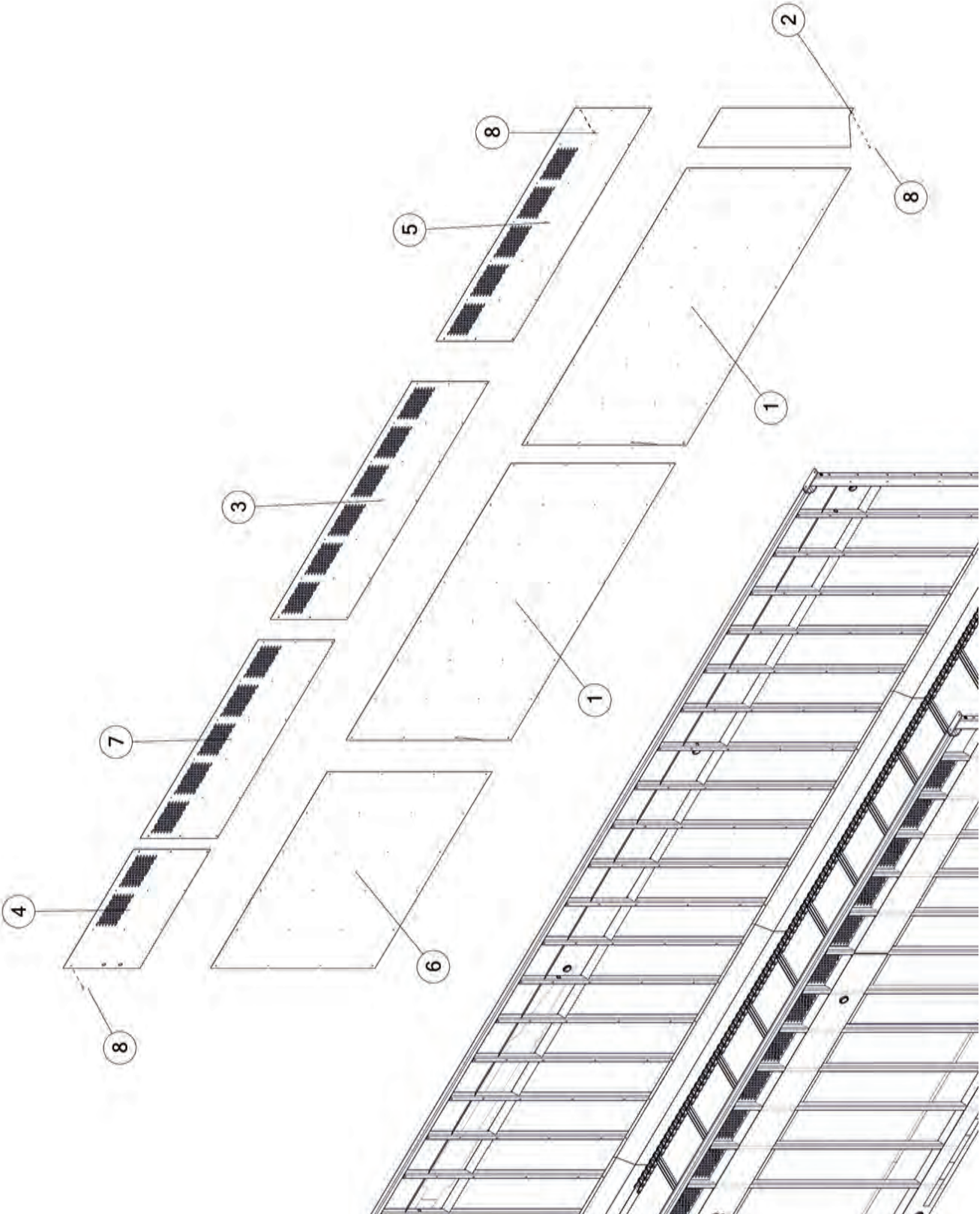


FIGURE 2
BODY PANELS RH

<u>ITEM</u>	<u>QTY</u>	<u>PART#</u>	<u>DESCRIPTION</u>
1	2	78452	PANEL, CENTER
2	1	79482	PANEL SIDE, BACK
3	1	81793	EXTENSION SIDE, CENTER
4	1	81851	EXTENSION SIDE, FRONT
5	1	81852	EXTENSION SIDE, BACK
6	1	81979	PANEL, FRONT
7	1	82669	EXTENSION SIDE, CENTER
8	120	1043	HUCK RIVET

FIGURE 3
WINDOW & COMPONENTS

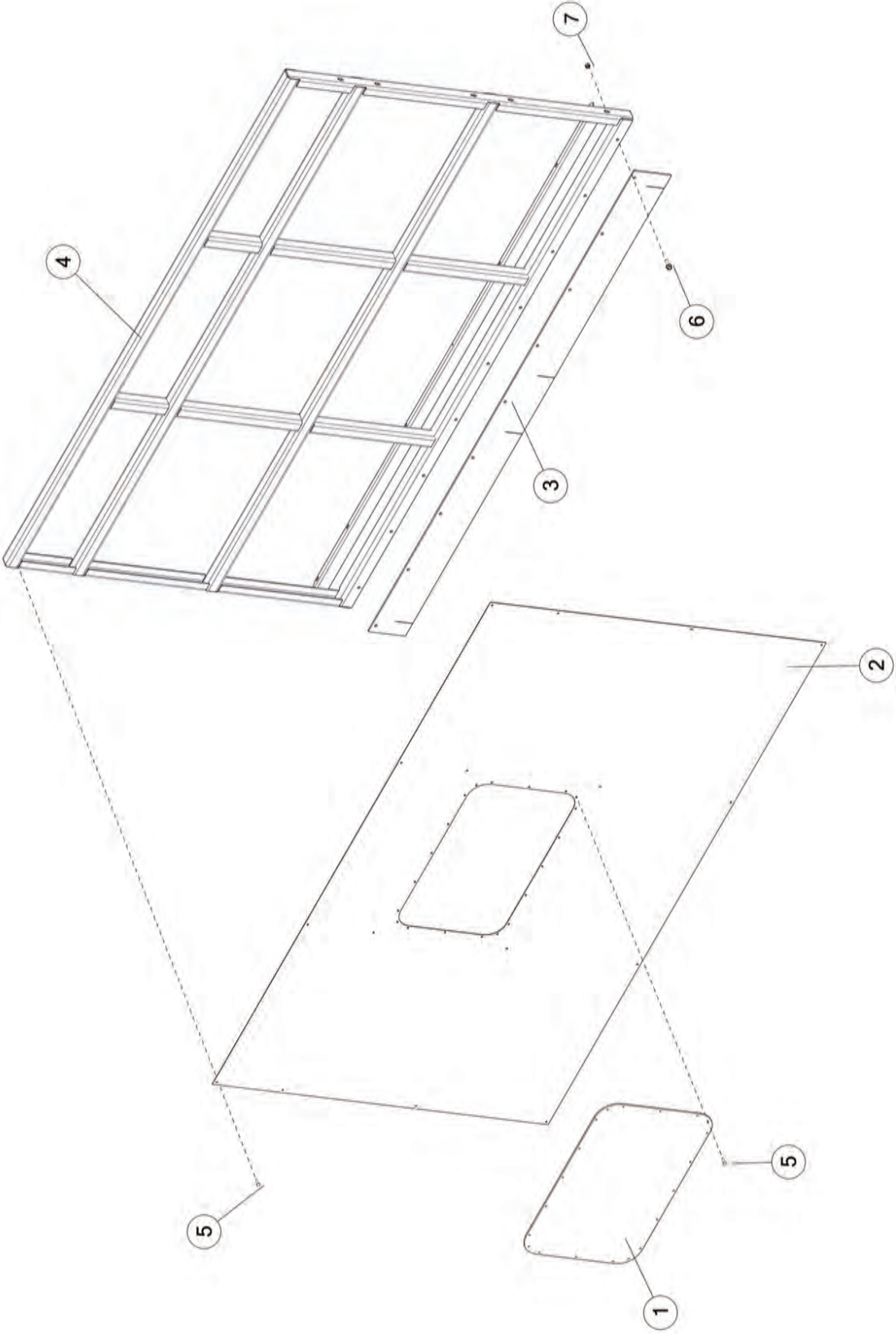


FIGURE 3
WINDOW & COMPONENTS

<u>ITEM</u>	<u>QTY</u>	<u>PART#</u>	<u>DESCRIPTION</u>
1	1	55839	WINDOW W/HOLES
2	1	78092	PANEL, FRONT
3	1	78274	RUBBER SEAL, FRONT
4	1	78093	FRAME, SLANTED
5	16	1043	HUCK RIVET
6	9	YBFB12125	BOLT FLANGE, 3/8 X 1-1/4 G5
7	9	YNFG12006	NUT FLANGE, 3/8

FIGURE 4
FRONT LINKAGE & COMPONENTS

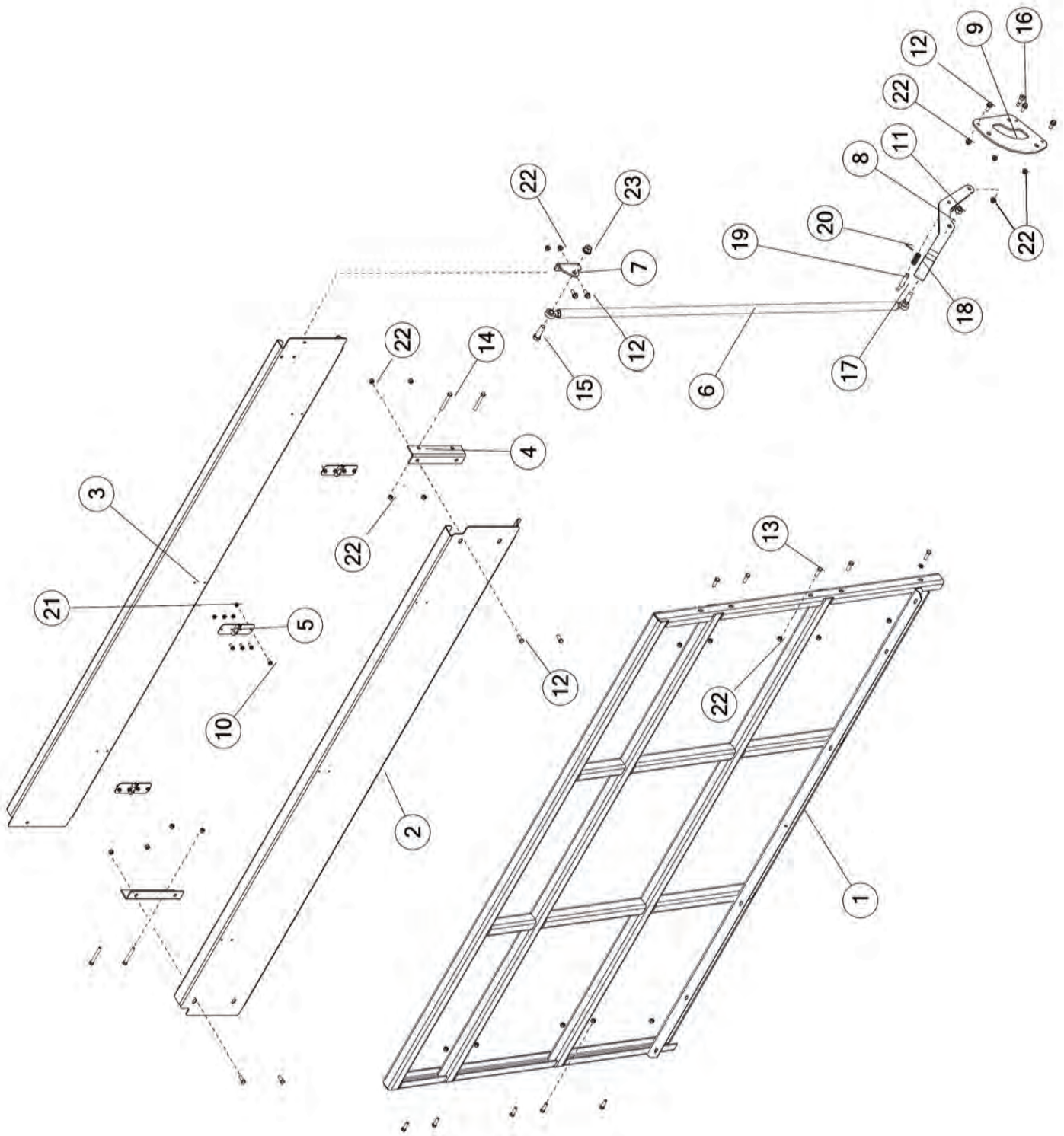


FIGURE 4

FRONT LINKAGE & COMPONENTS

<u>ITEM</u>	<u>QTY</u>	<u>PART#</u>	<u>DESCRIPTION</u>
1	1	78093	FRAME, SLANTED
2	1	82135	PANEL, FRONT UPPER
3	1	82138	PANEL, UPPER
4	2	02306G01	ANGLE
5	3	82134	HINGE
6	1	82375	FOLD DOWN LINK, FRONT
7	1	82378	BRACKET, UPPER
8	1	82372	LEVER
9	1	78012	VARIABLE STOP
10	12	YBFB08075	BOLT FLANGE, 1/4 X 3/4 G5
11	1	YNFG20005	NUT FLANGE, 5/8
12	9	YBFB12003	BOLT FLANGE, 3/8 X 1 G5
13	10	YBFB12125	BOLT FLANGE, 3/8 X 1-1/4
14	4	YBFB12300	BOLT FLANGE, 3/8 X 3
15	1	YBHH20025	BOLT HEX, 5/8 X 2 G5
16	1	YBSU12012	BOLT, 1/2 X 7/8
17	1	IFB109	PIN
18	1	IFB110	LATCH SPRING
19	14	78027	SPACER
20	1	YPCT05005	COTTER PIN, 5/32 X 1
21	12	YNFG08010	NUT FLANGE, 1/4
22	22	YNFG12006	NUT FLANGE, 3/8
23	1	YNFG20005	NUT FLANGE, 5/8

FIGURE 5 **FRONT GUARDS & COMPONENTS**

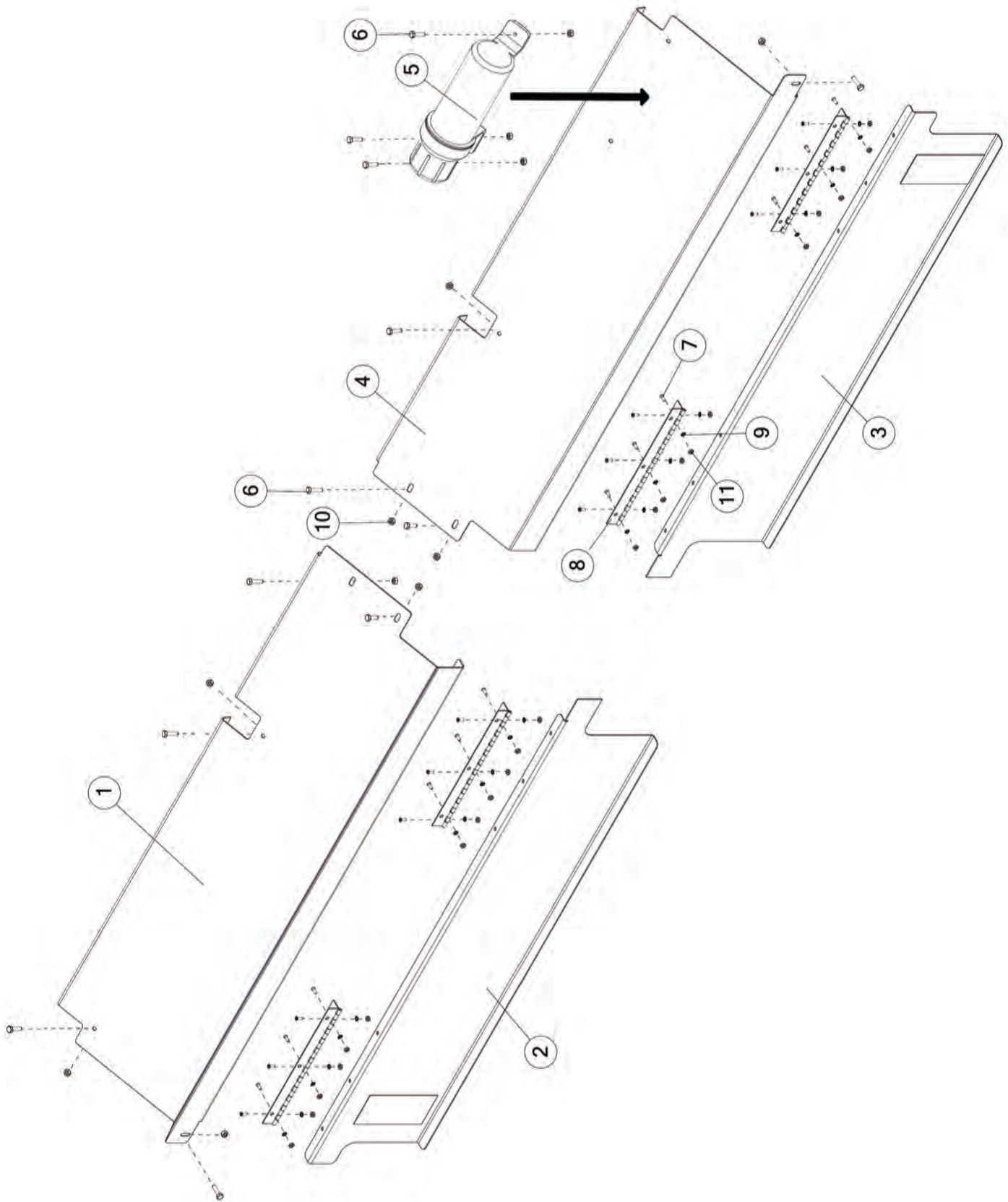


FIGURE 5

FRONT GUARDS & COMPONENTS

<u>ITEM</u>	<u>QTY</u>	<u>PART#</u>	<u>DESCRIPTION</u>
1	1	BBS72	SHIELD, FRONT
2	1	BBS73	SHIELD BOTTOM, FRONT
3	1	BBST14G20	SHIELD BOTTOM, FRONT LH
4	1	BBST14G28	SHIELD SLANT, FRONT LH
5	1	S522	MANUAL HOLDER
6	12	YBFB08100	BOLT FLANGE, 1/4 X 1 G5
7	24	YSFM62005	SCREW FLAT HEAD CAP, CROSS #8 X 1/2
8	4	BBSTMS15	CONTINUOUS HINGE FLAT
9	24	YWSI62005	WASHER LOCK, STAR, EXT, #8
10	12	YNFG08010	NUT FLANGE, 1/4
11	21	YNHX62005	NUT HEX, MACHINE, #8

FIGURE 6 FLOOR & COMPONENTS

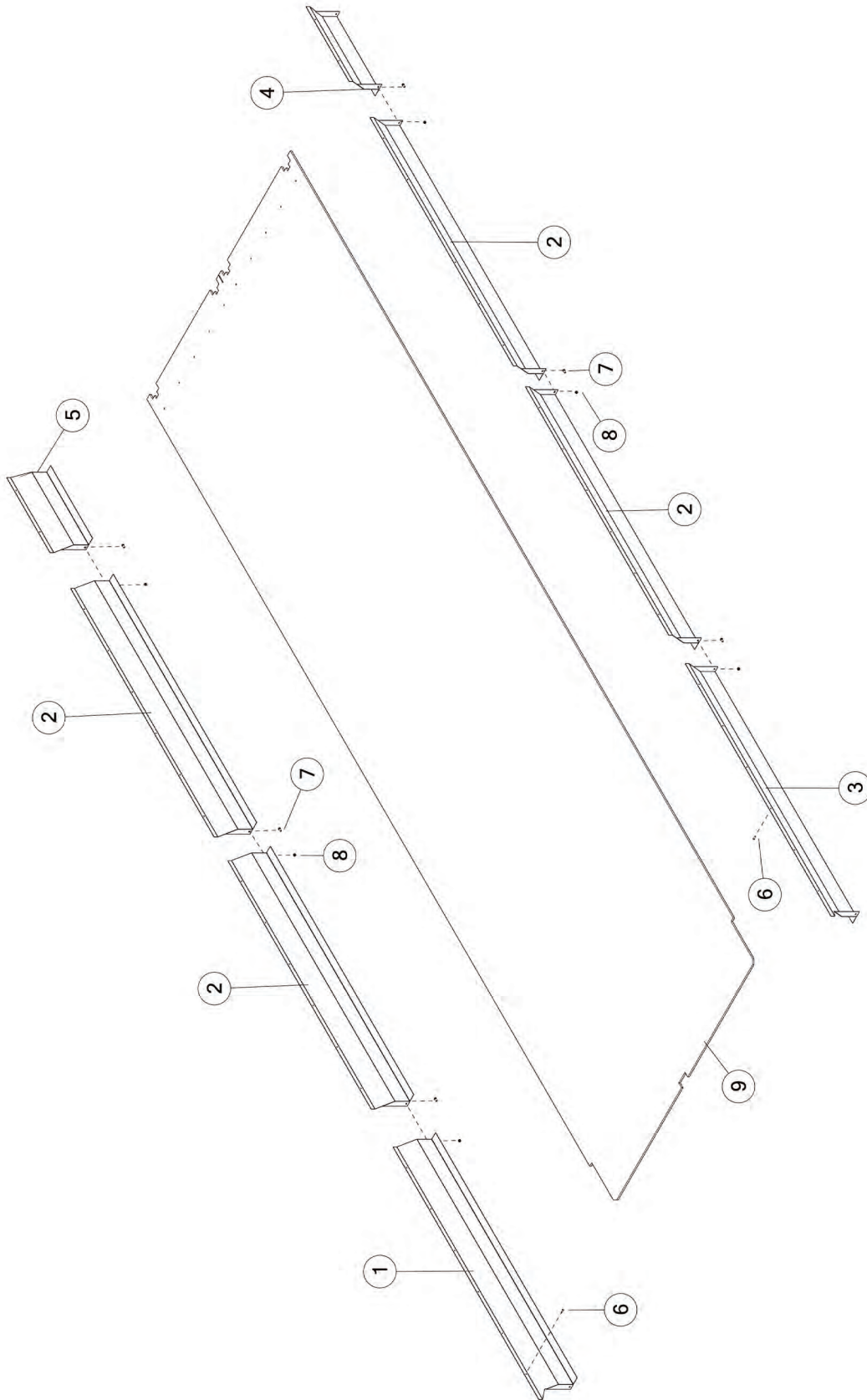


FIGURE 6
FLOOR & COMPONENTS

<u>ITEM</u>	<u>QTY</u>	<u>PART#</u>	<u>DESCRIPTION</u>
1	1	81940	PANEL SLANT, BACK LH
2	4	81947	PANEL SLANT, INSIDE, CENTER
3	1	81949	PANEL SLANT, BACK RH
4	1	82405	PANEL SLANT, FRONT RH
5	1	82484	PANEL SLANT, FRONT LH
6	2	1043	HUCK RIVET
7	2	YBFB12075	BOLT FLANGE, 3/8 X 3/4
8	2	YNNY12005	NUT FLANGE, 3/8
9	1	82713	POLY FLOOR

FIGURE 7
APRON CHAIN

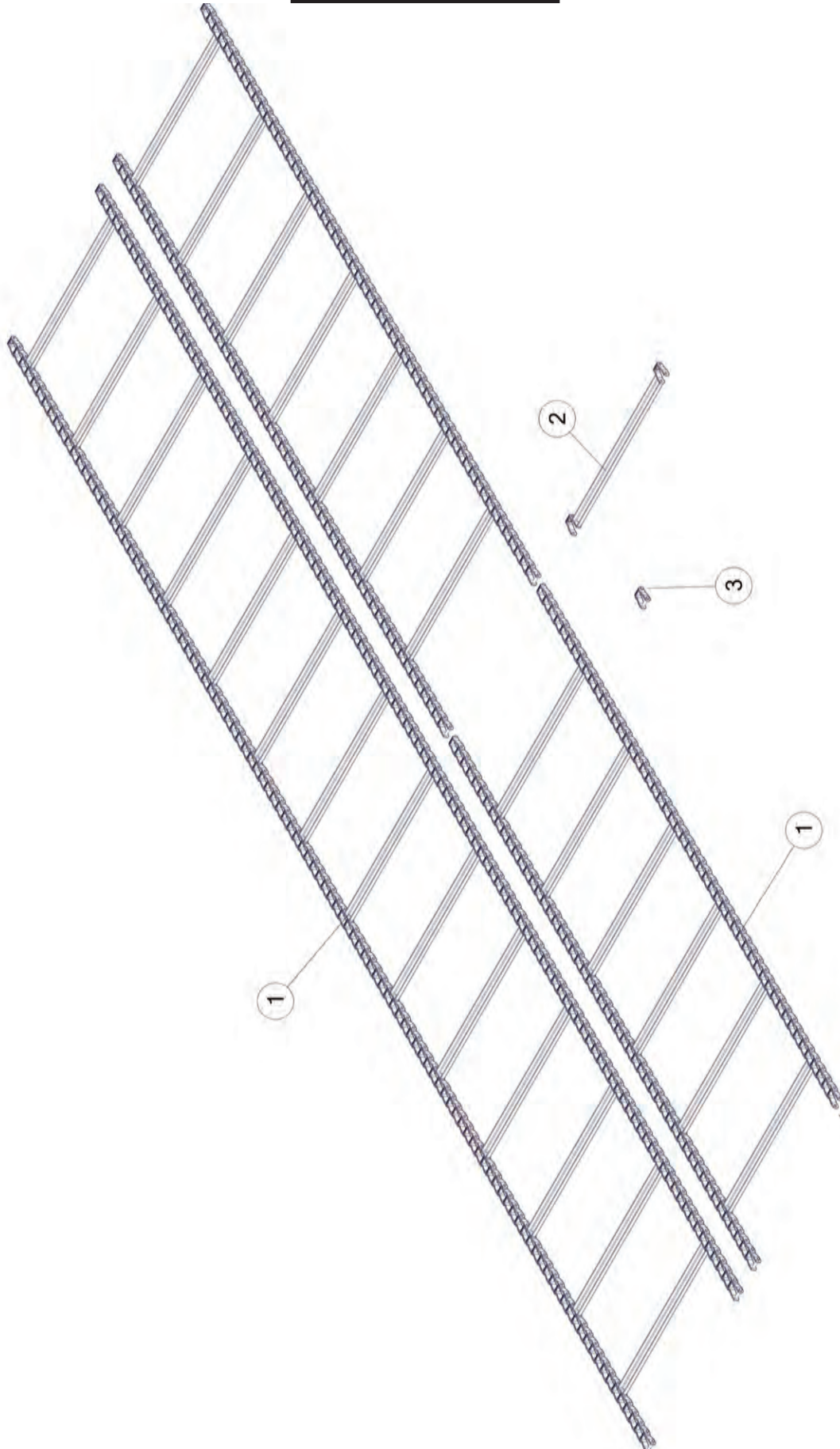


FIGURE 7
APRON CHAIN

<u>ITEM</u>	<u>QTY</u>	<u>PART#</u>	<u>DESCRIPTION</u>
1	2	78317	PINTLE APRON CHAIN
2	1	8060	CHAIN SLAT W/ATTACHMENT LINK
3	4	8061	CONNECTOR LINK

FIGURE 8
IDLER SHAFT COMPONENTS

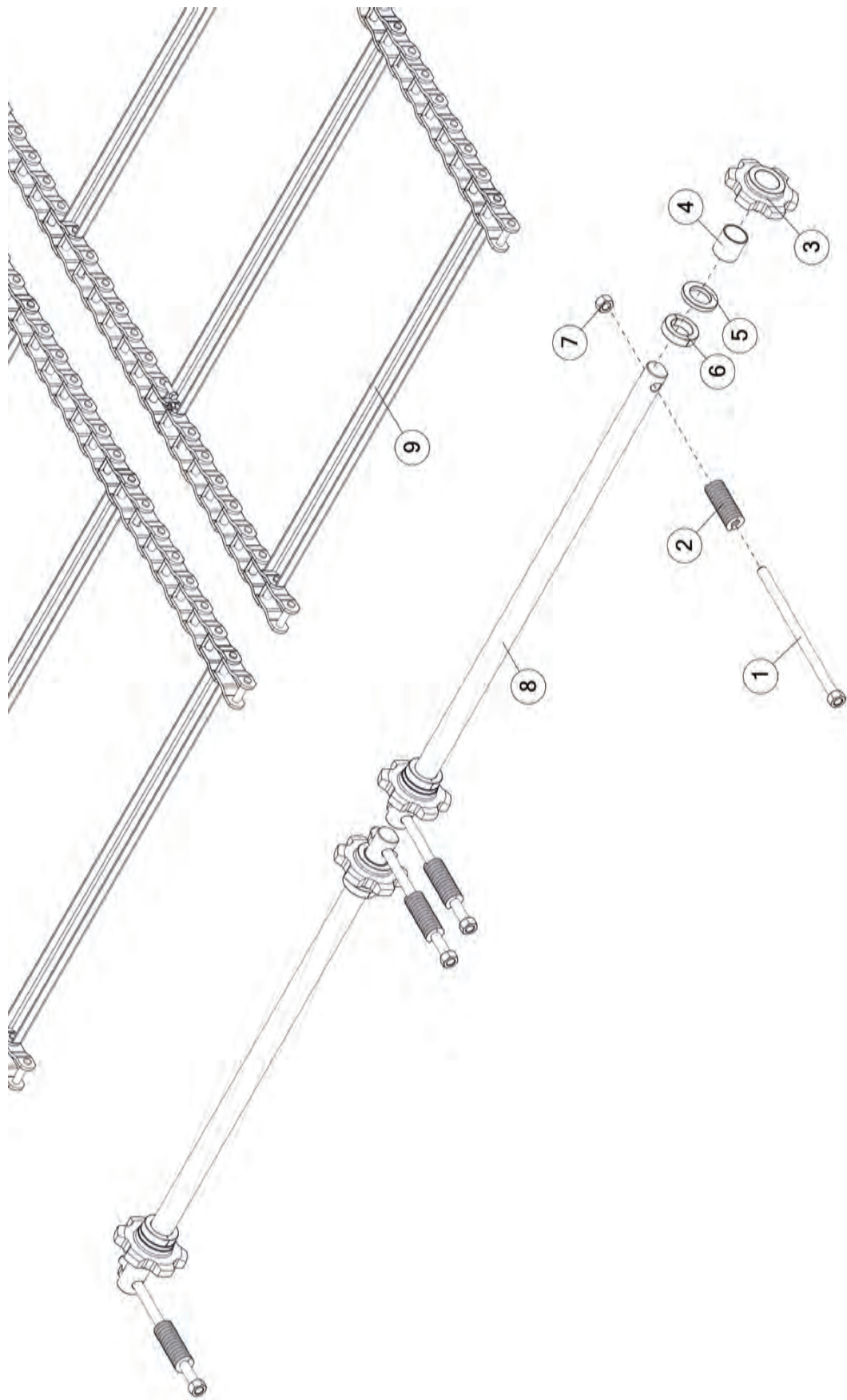


FIGURE 8
IDLER SHAFT COMPONENTS

<u>ITEM</u>	<u>QTY</u>	<u>PART#</u>	<u>DESCRIPTION</u>
1	4	BBS34	TIGHTENER ROD
2	4	BBS35	COMPRESSION SPRING
3	4	BBSTSH07	IDLER SPROCKET (6T)
4	4	RGT3	BUSHING
5	4	BBSTPL05	POLY SPACER
6	4	8340	CLAMP COLLAR
7	4	YNHX24004	NUT HEX, 3/4 G5
8	2	BBS29	IDLER SHAFT, FRONT
9	2	78317	APRON CHAIN

FIGURE 9 **DRIVE SHAFT & COMPONENTS**

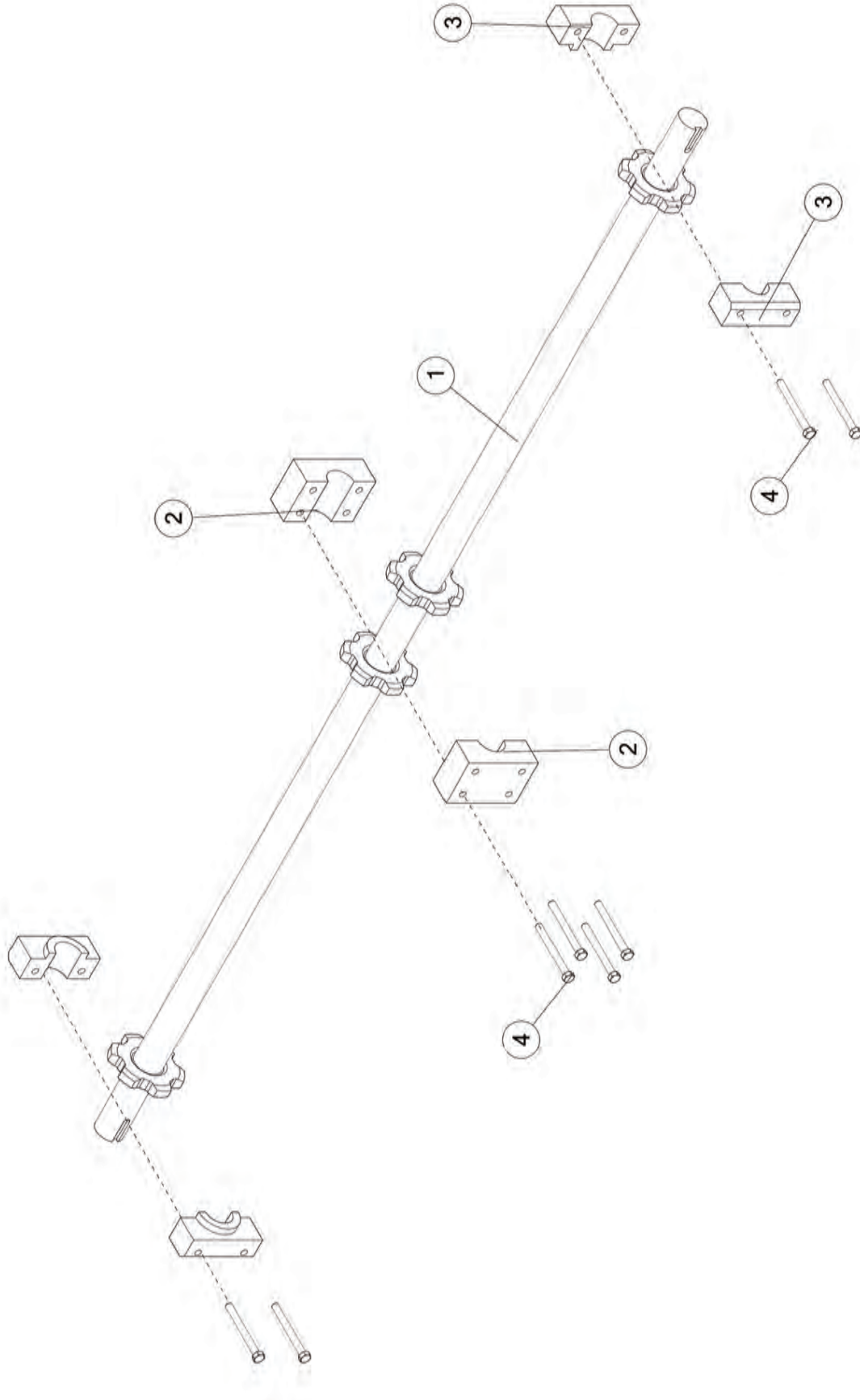


FIGURE 9
DRIVE SHAFT & COMPONENTS

<u>ITEM</u>	<u>QTY</u>	<u>PART#</u>	<u>DESCRIPTION</u>
1	1	BBSTWE04	DRIVE SHAFT
2	2	BBS62	CENTER DRIVE SHAFT BEARING
3	4	BBS63	OUTER DRIVE SHAFT BEARING
4	8	YBFB16500	BOLT FLANGE, 1/2 X 5

FIGURE 10
DRIVE SPROCKET LH

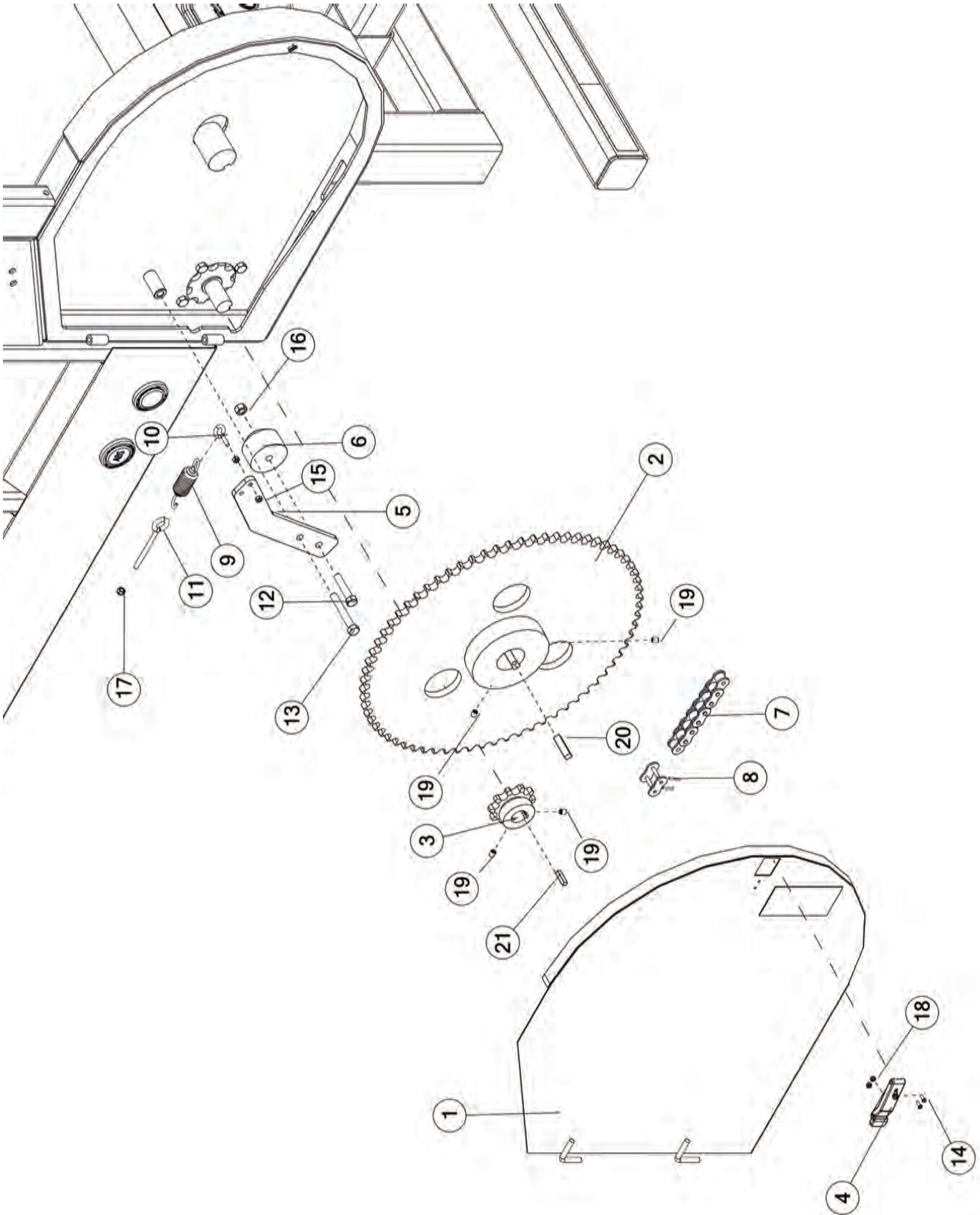


FIGURE 10

DRIVE SPROCKET LH

<u>ITEM</u>	<u>QTY</u>	<u>PART#</u>	<u>DESCRIPTION</u>
1	1	81996	SHIELD, CHAIN CASE LH
2	1	BBS60	DRIVEN SPROCKET
3	1	BBS61	DRIVE SPROCKET
4	1	80180	DRAW LATCH
5	1	BBS9	TIGHTENER BAR
6	1	BBS10	POLY TIGHTENER
7	1	1042	ROLLER CHAIN
8	1	IFB17	CONNECTOR LINK
9	1	GM410	EXTENSION SPRING
10	1	YBTE08005	BOLT TURNED EYE, 1/4 X 1
11	1	YBTE10040	BOLT TURNED EYE, 5/16 X 4
12	1	YBHH16080	BOLT HEX, 1/2 X 2-1/2 G5
13	1	YBHH16115	BOLT HEX, 1/2 X 3-1/2 G5
14	2	YSPP62006	SCREW PAN #8-32 X 1/2
15	2	YNHX08005	NUT HEX, 1/4
16	1	YNHX16005	NUT HEX, 1/2
17	1	YNFG10005	NUT FLANGE, 5/16
18	2	YNNY62005	NUT HEX, 8-32
19	4	YSKP12010	SCREW SET, 3/8 X 1/2
20	1	BBS59	SQUARE KEY, 1/2 X 2
21	1	G23A	SQUARE KEY, 5/16 X 1-1/4

FIGURE 11
DRIVE SPROCKET RH

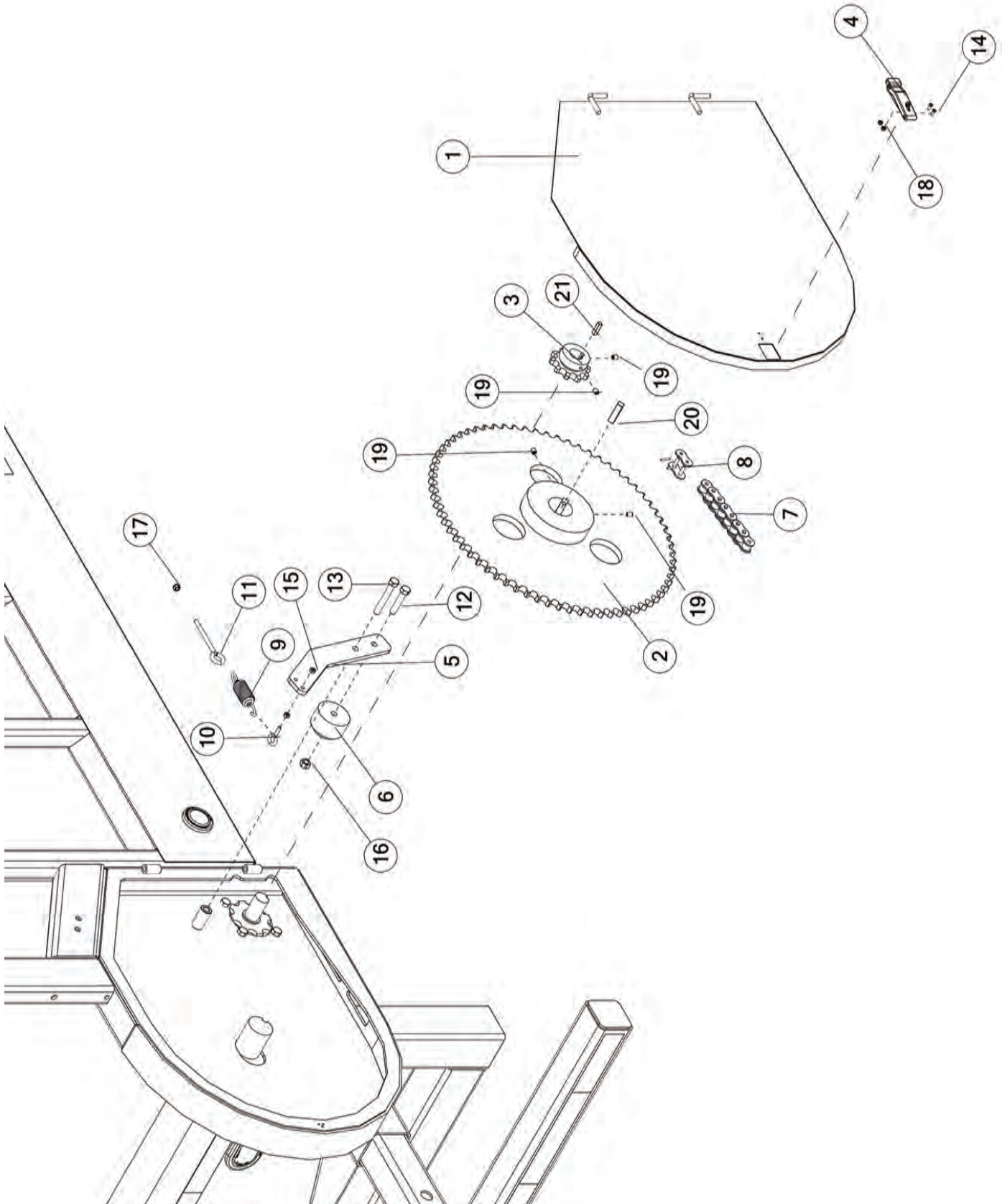


FIGURE 11

DRIVE SPROCKET RH

<u>ITEM</u>	<u>QTY</u>	<u>PART#</u>	<u>DESCRIPTION</u>
1	1	82103	SHIELD, CHAIN CASE RH
2	1	BBS60	DRIVEN SPROCKET
3	1	BBS61	DRIVE SPROCKET
4	1	80180	DRAW LATCH
5	1	BBS9	TIGHTENER BAR
6	1	BBS10	POLY TIGHTENER
7	1	1042 I	ROLLER CHAIN
8	1	FB17	CONNECTOR LINK
9	1	GM410	EXTENSION SPRING
10	1	YBTE08005	BOLT TURNED EYE, 1/4 X 1
11	1	YBTE10040	BOLT TURNED EYE, 5/16 X 4
12	1	YBHH16080	BOLT HEX, 1/2 X 2-1/2 G5
13	1	YBHH16115	BOLT HEX, 1/2 X 3-1/2 G5
14	2	YSPP62006	SCREW PAN #8-32 X 1/2
15	2	YNHX08005	NUT HEX, 1/4
16	1	YNHX16005	NUT HEX, 1/2
17	1	YNFG10005	NUT FLANGE, 5/16
18	2	YNNY62005	NUT HEX, 8-32 G2
19	4	YSKP12010	SCREW SET, 3/8 X 1/2
20	1	G23A	SQUARE KEY, 1/2 X 2
21	1	YSKP12010	SQUARE KEY, 5/16 X 1-1/4

FIGURE 12
HYDRAULICS

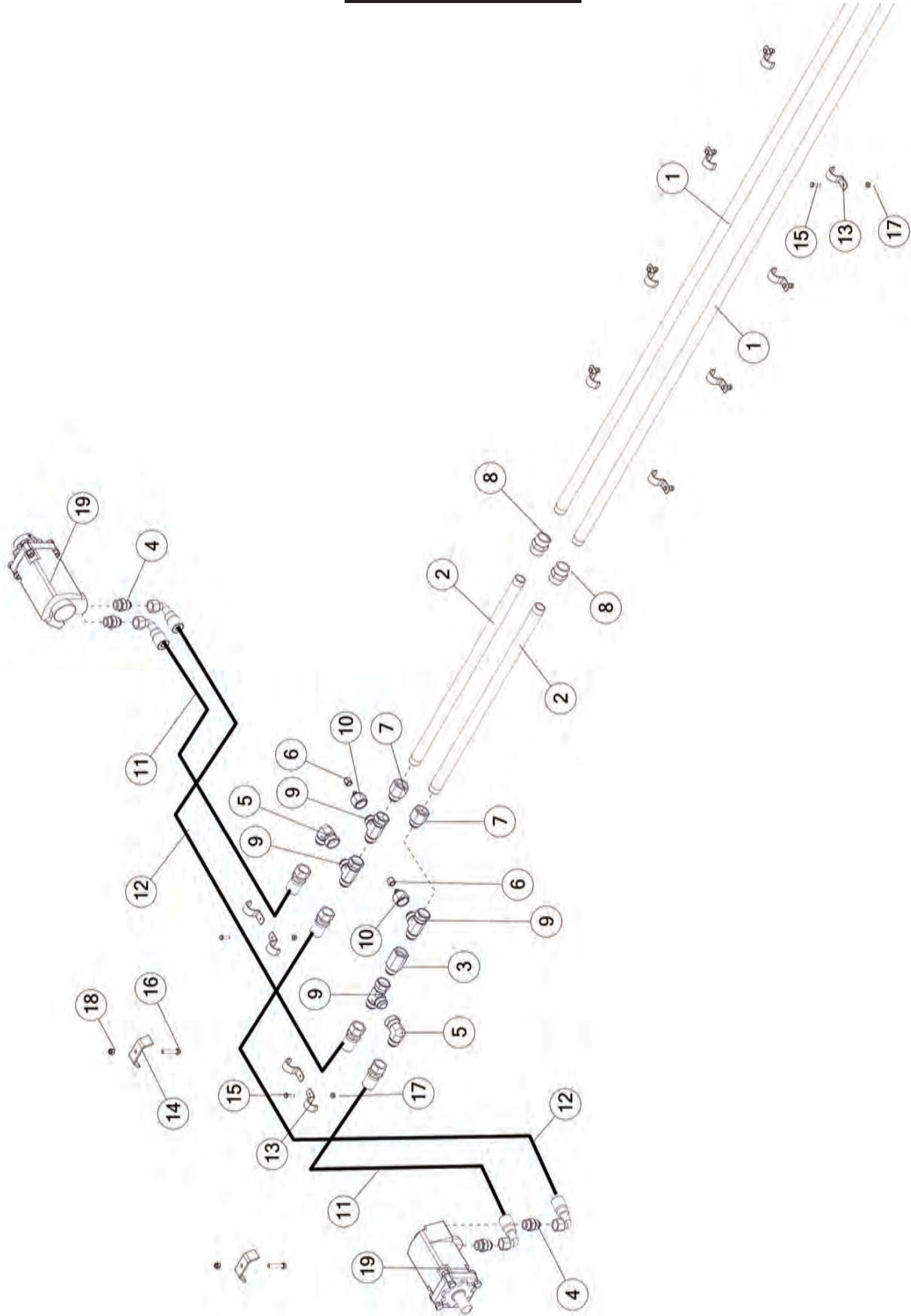


FIGURE 12 HYDRAULICS

<u>ITEM</u>	<u>QTY</u>	<u>PART#</u>	<u>DESCRIPTION</u>
1	1	BBSTPI02	HYDRAULIC LINE 1 IN
2	1	82699	HYDRAULIC LINE 1 IN
3	1	53829	CHECK VALVE
4	4	SD273	FITTING CONNCTOR
5	2	8021	SWIVEL NUT ELBOW
6	2	83114	FITTING CAP, 6JIC
7	2	BBS65	FITTING STRAIGHT, 16JIC, 16NPT
8	2	BBS85	FITTING, PIPE COUPLING
9	4	CHM182	FITTING, SWIVEL NUT RUN TEE
10	2	CHM183	FITTING, REDUCER
11	2	BBSTMS17	HYDRAULIC HOSE, PRESSURE TO MOTOR
12	2	BBSTMS18	HYDRAULIC HOSE, MOTOR RETURN
13	12	BBS86	PIPE CLAMP
14	2	T223	HOSE BRACKET
15	10	YBFB08100	BOLT FLANGE, 1/4 X 1
16	2	YBHH12080	BOLT HEX, 3/8 X 2
17	10	YNFG08005	NUT FLANGE, 1/4
18	2	YNFG12006	NUT FLANGE, 3/8
19	2	33SV73	HYDRAULIC MOTOR

FIGURE 13 TAIL LIGHT & COMPONENTS

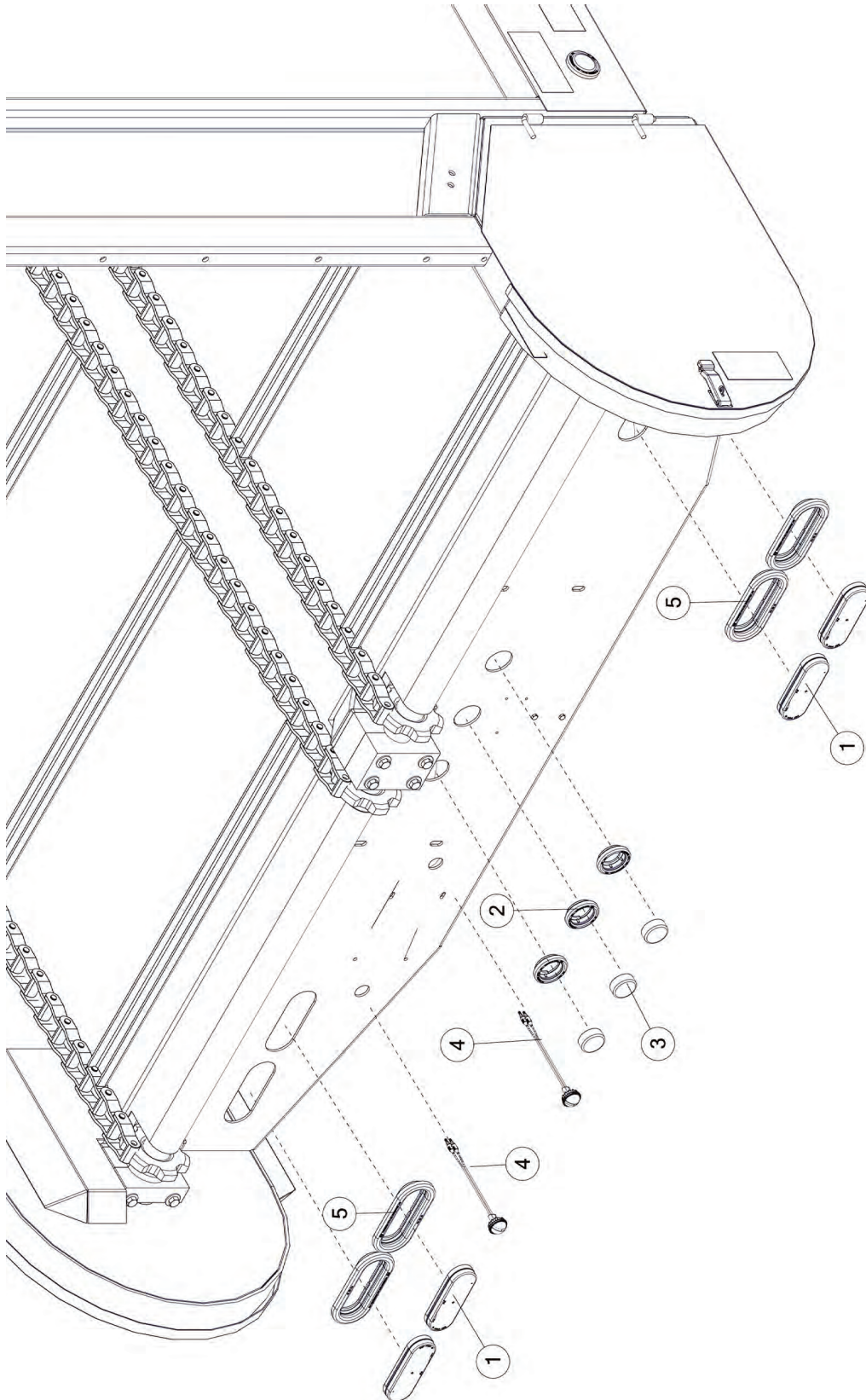


FIGURE 13
TAIL LIGHT & COMPONENTS

<u>ITEM</u>	<u>QTY</u>	<u>PART#</u>	<u>DESCRIPTION</u>
1	4	78671	OVAL RED LED LIGHT
2	3	BBS91	ROUND LIGHT GROMMET
3	3	BBS92	ROUND RED MARKER LIGHT
4	2	BBS98	LICENSE LIGHT
5	4	S308	OVAL LIGHT GROMMET

FIGURE 14
LIGHTS

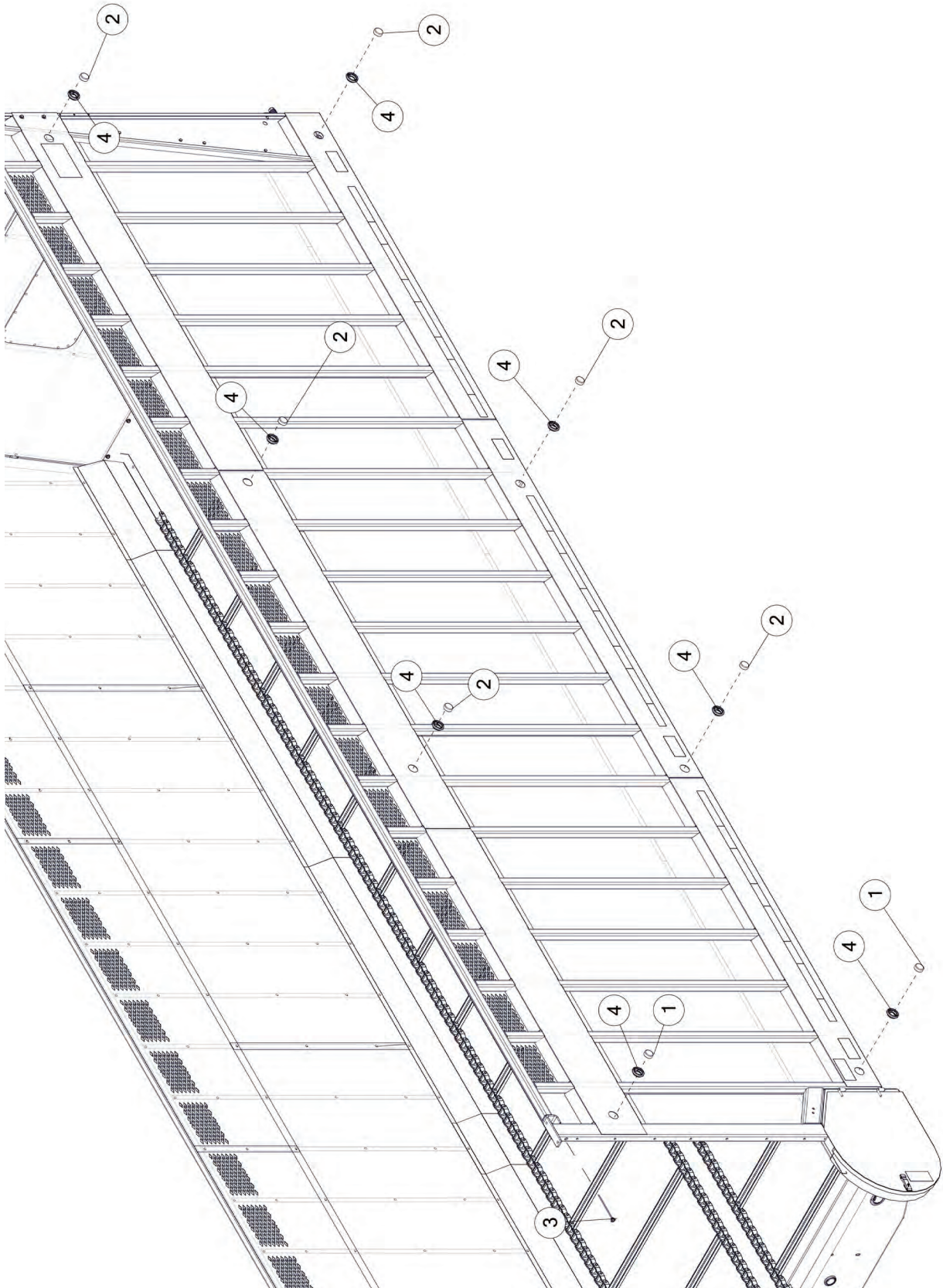


FIGURE 14 **LIGHTS**

<u>ITEM</u>	<u>QTY</u>	<u>PART#</u>	<u>DESCRIPTION</u>
1	2	BBS92	ROUND RED MARKER LIGHT
2	12	BBS93	ROUND AMBER MARKER LIGHT
3	2	8620	ROUND RED LED LIGHT
4	16	BBS91	ROUND LIGHT GROMMET

FIGURE 15
BACK DOOR & COMPONENTS

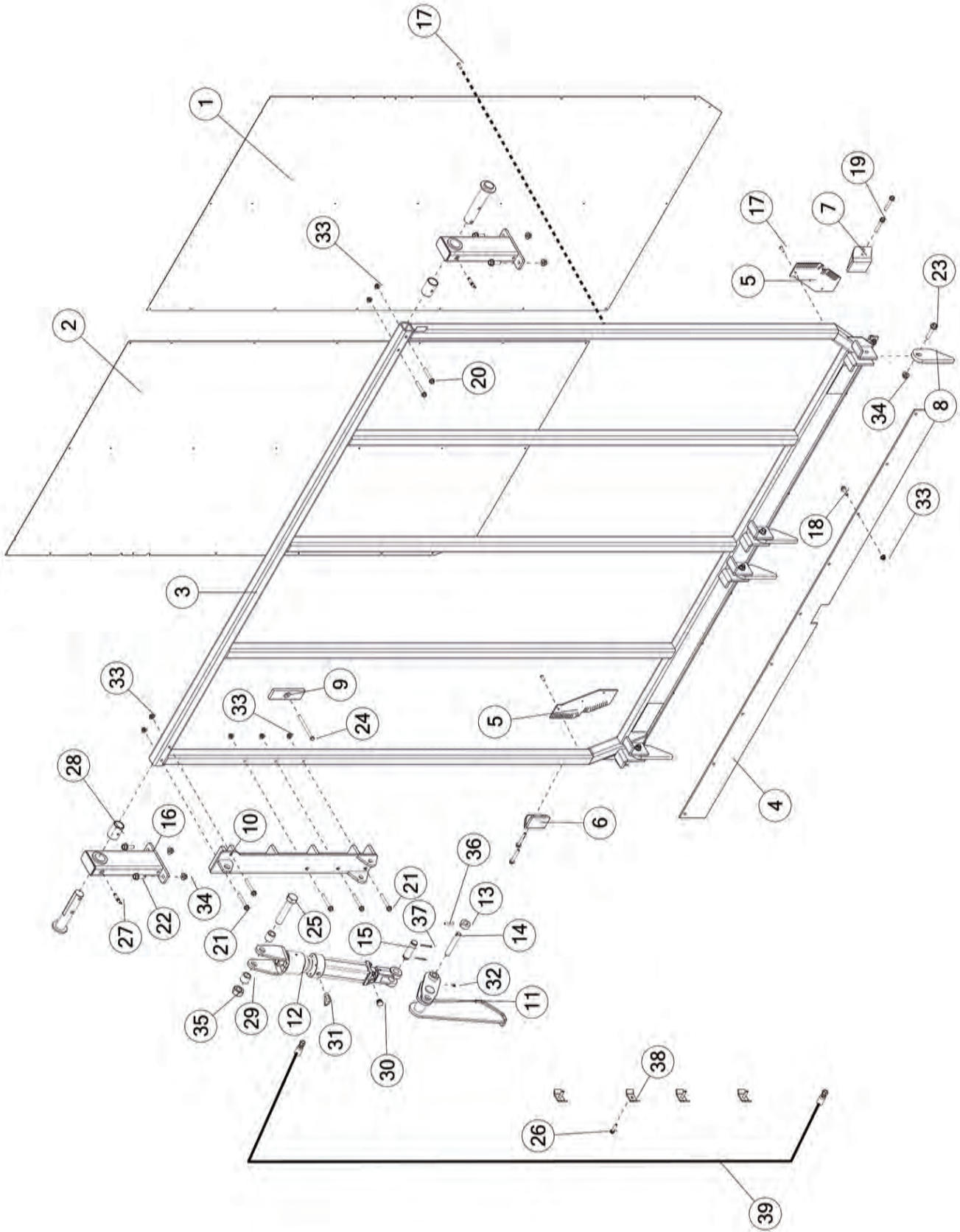


FIGURE 15

BACK DOOR & COMPONENTS

<u>ITEM</u>	<u>QTY</u>	<u>PART#</u>	<u>DESCRIPTION</u>
1	1	61409	PANEL DOOR LH
2	1	BBST16G06	PANEL DOOR RH
3	1	BBS17	DOOR
4	1	78295	DOOR RUBBER, BACK
5	1	55902	CORNER DOOR SEAL
6	1	55970	DOOR STOP LH
7	1	56155	DOOR STOP RH
8	4	BBS67	LATCH
9	1	0231PL01	POLY BUMPER
10	1	76428	HYDRAULIC GATE DELAY, BASE
11	1	77291	PIVOT
12	1	76902	HYDRAULIC CYLINDER, 2
13	1	0231-TU-02	PIN LOCK
14	1	0231SH02	PIVOT PIN
15	1	T143	HYDRAULIC CYLINDER PIN
16	2	BBS21	BACK STAKE TOP
17	44	1043	HUCK RIVET
18	9	YBFB12125	BOLT FLANGE, 3/8 X 1-1/4 G5
19	4	YBFB12250	BOLT FLANGE, 3/8 X 2-1/2 G5
20	5	YBFB12275	BOLT FLANGE, 3/8 X 2-3/4 G5
21	2	YBFB12300	BOLT FLANGE, 3/8 X 3 G5
22	4	YBFB16150	BOLT FLANGE, 1/2 X 1-1/2 G5
23	4	YBFB16250	BOLT FLANGE, 1/2 X 2-1/2 G5
24	1	YBHH12200	BOLT HEX, 3/8 X 5 G5
25	1	YBHH32020	BOLT HEX, 1 X 5 G5
26	1	YSHW10020	THREAD CUTTING SCREW
27	2	16SV26	PIPE GREASE ZERK
28	2	56244	DRIVE SHAFT BUSHING
29	2	77434	SPACER BUSHING
30	1	BFR70	VENT PLUG, 3/8
31	1	CHM164	MALE ELBOW 37° / NPTF 6-6 CTX-S
32	1	G89	STRAIGHT ZERK, 1/4-28 X 90
33	16	YNFG12006	NUT FLANGE, 3/8
34	8	YNFG16003	NUT FLANGE, 1/2
35	1	YNTL32005	NUT HEX, 1
36	1	YPEX08015	EXPANSION PIN, 1/4 X 1-3/4
37	2	YPCT05010	COTTER PIN, 5/32 X 1-1/2
38	4	23N67	HOSE BRACKET, FRONT
39	1	78689	HYDRAULIC HOSE 6 X 230

FIGURE 16 OPTIONAL BARN DOORS

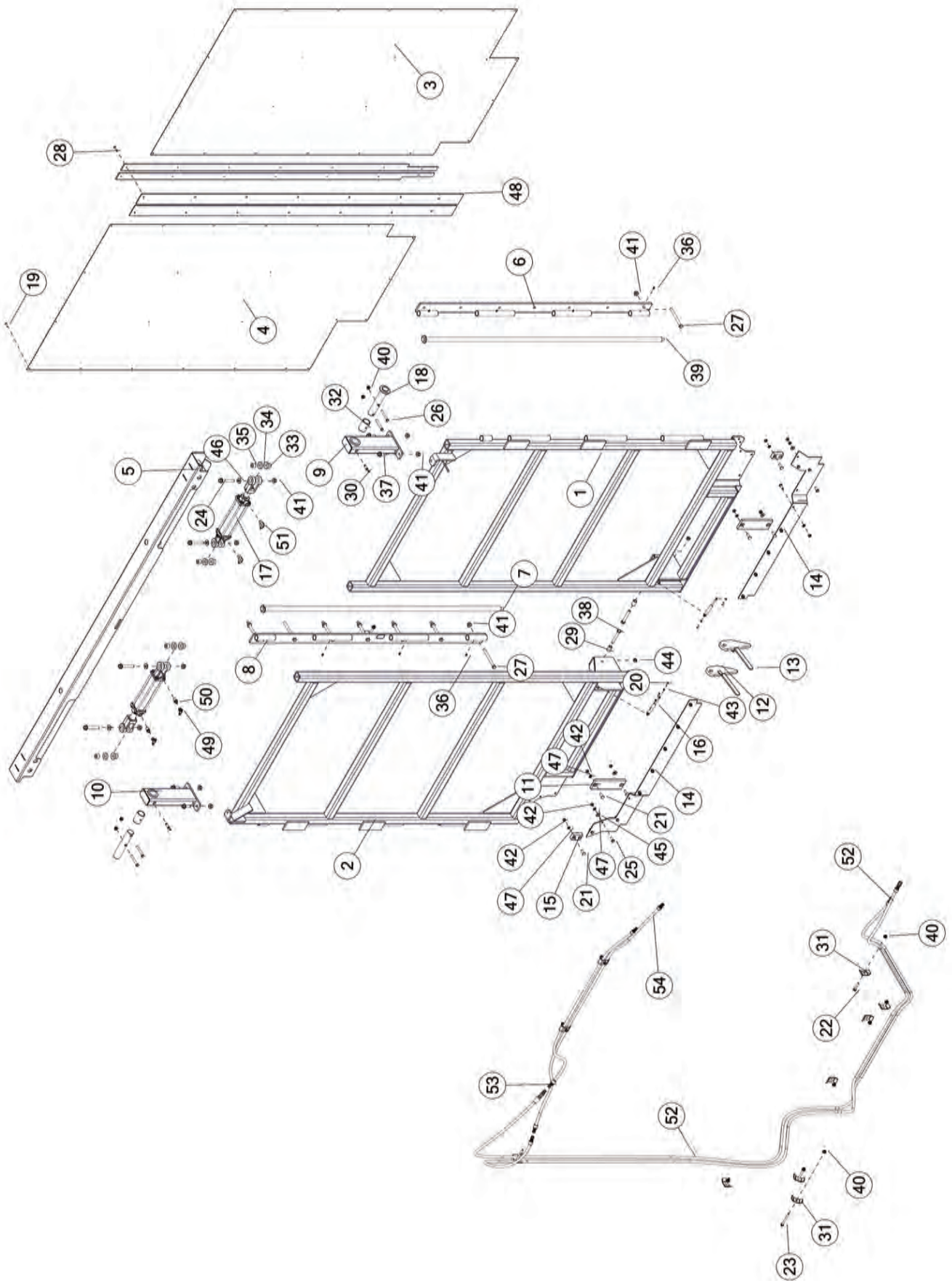


FIGURE 16

OPTIONAL BARN DOORS

<u>ITEM</u>	<u>QTY</u>	<u>PART#</u>	<u>DESCRIPTION</u>
1	1	82444	DOOR RH
2	1	82451	DOOR LH
3	1	022716G01	PANEL DOOR RH
4	1	66286	PANEL DOOR LH
5	1	80317	CHANNEL, TOP
6	1	82438	HINGE
7	1	82449	DOOR HINGE PIN
8	1	82438	HINGE
9	1	BBS20	STAKE TOP, BACK RH
10	1	BBS21	STAKE TOP, BACK LH
11	2	0227PL01	POLY BUMPER
12	1	0227WE07	LATCH LH
13	1	0227WE08	LATCH RH
14	2	0227RU01	DOOR SEAL BOTTOM
15	2	0227PL02	BARN DOOR FILLER BLOCK
16	2	SD190	GAS STRUT
17	2	85176	CYLINDER 2 X 8
18	2	BBS64	DOOR HINGE PIN
19	34	1043	HUCK RIVET
20	4	1135	SCREW MACHINE, PHILLIPS HEAD, #8-32 X .75
21	8	YBCR12020	BOLT CARRIAGE, 3/8 X 1-1/4 G5
22	5	YBFB10200	BOLT FLANGE, 5/16 X 2 G5
23	2	YBFB10350	BOLT FLANGE, 5/16 X 3-1/2 G8
24	4	YBFB16350	BOLT FLANGE, 1/2 X 3-1/2 G5
25	16	YBHH12010	BOLT HEX, 3/8 X 1 G5
26	4	YBHH12120	BOLT HEX, 3/8 X 3 G5
27	14	YBHH16160	BOLT HEX, 1/2 X 5-1/2 G5
28	14	YSDR66007	SCREW SELF DRILLING, 12 X 1-1/4
29	2	0227PI02	LATCH SPACER
30	2	16SV26	PIPE GREASE ZERK
31	8	23N67	HOSE BRACKET, FRONT
32	2	56244	DRIVE SHAFT BUSHING
33	4	82809	HYDRAULIC BARN DOOR BUSHING
34	4	84589	CYLINDER SPACER
35	4	BFR282	BELL CRANK BUSHING
36	4	MS26	SHORT SHANK ZERK-STRAIGHT
37	4	YBFB16150	BOLT FLANGE, 1/2 X 1-1/2 G5
38	2	YBHH16115	BOLT HEX, 1/2 X 3-1/2 G5
39	1	82449	DOOR HINGE PIN

FIGURE 16 OPTIONAL BARN DOORS

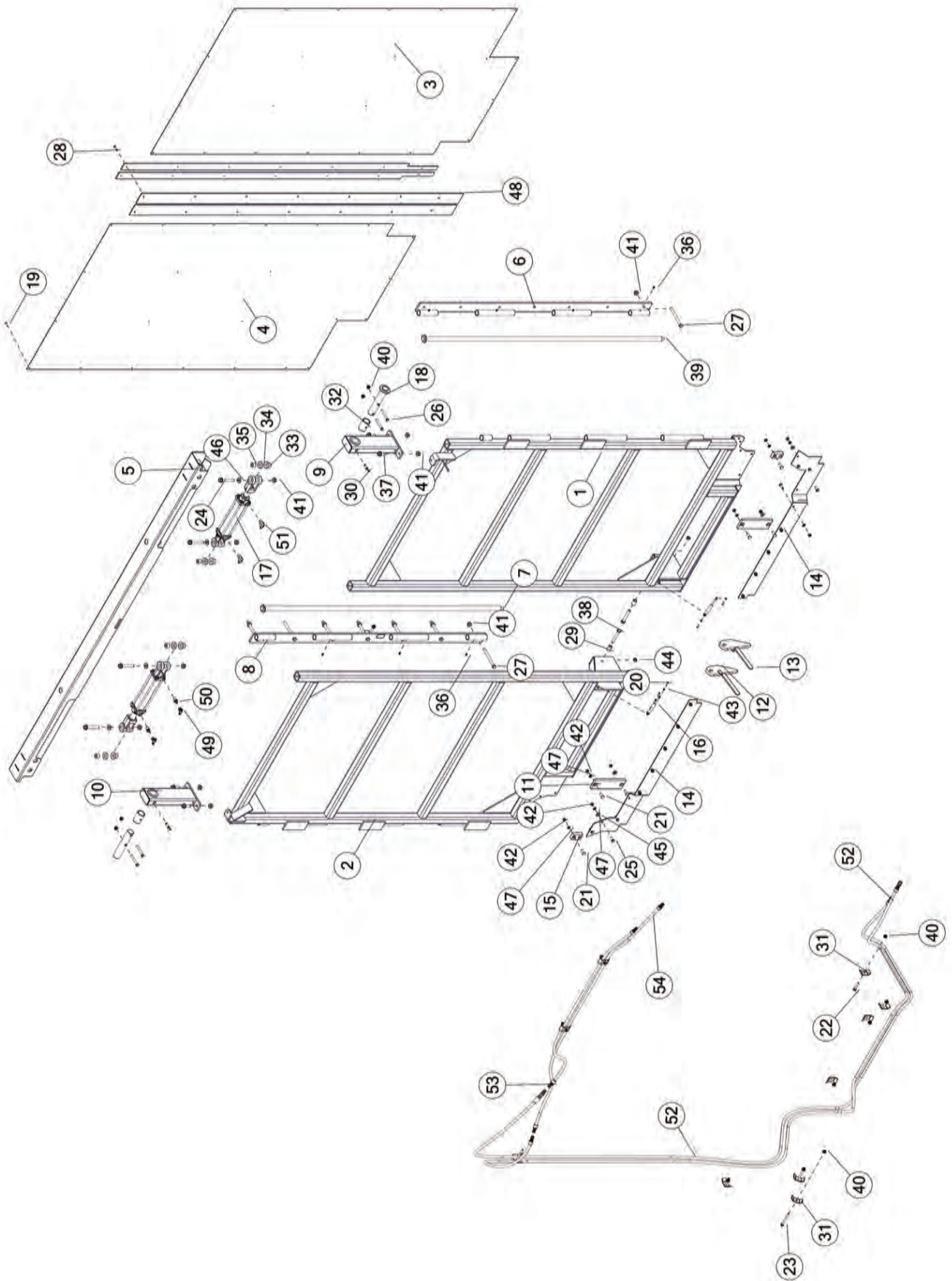


FIGURE 16

OPTIONAL BARN DOORS

<u>ITEM</u>	<u>QTY</u>	<u>PART#</u>	<u>DESCRIPTION</u>
40	4	YNFG12006	NUT FLANGE, 3/8
41	14	YNFG16005	NUT FLANGE, 1/2
42	22	YNHX12005	NUT HEX, 3/8
43	4	YNHX62005	NUT HEX, MACHINE, #8-32
44	2	YNL16005	NUT HEX, 1/2
45	22	YWFL12005	WASHER FLAT, 3/8
46	4	YWFL16005	WASHER FLAT, 1/2
47	22	YWLO12005	WASHER LOCK, 3/8
48	2	0227RU02	DOOR SEAL
49	2	58102	FITTING, 4 S6X-S
50	1	58124	FITTING, ST, 04JIC , 06NPT
51	2	58444	ELBOW MALE, 37 DEG / NPTF 4-6 CTX-S
52	2	85154	HYDRAULIC HOSE 4 X 224
53	1	85174	HYDRAULIC HOSE 4 X 58
54	1	85189	HYDRAULIC HOSE 4 X 80

FIGURE 17 OPTIONAL AIR BARN DOORS

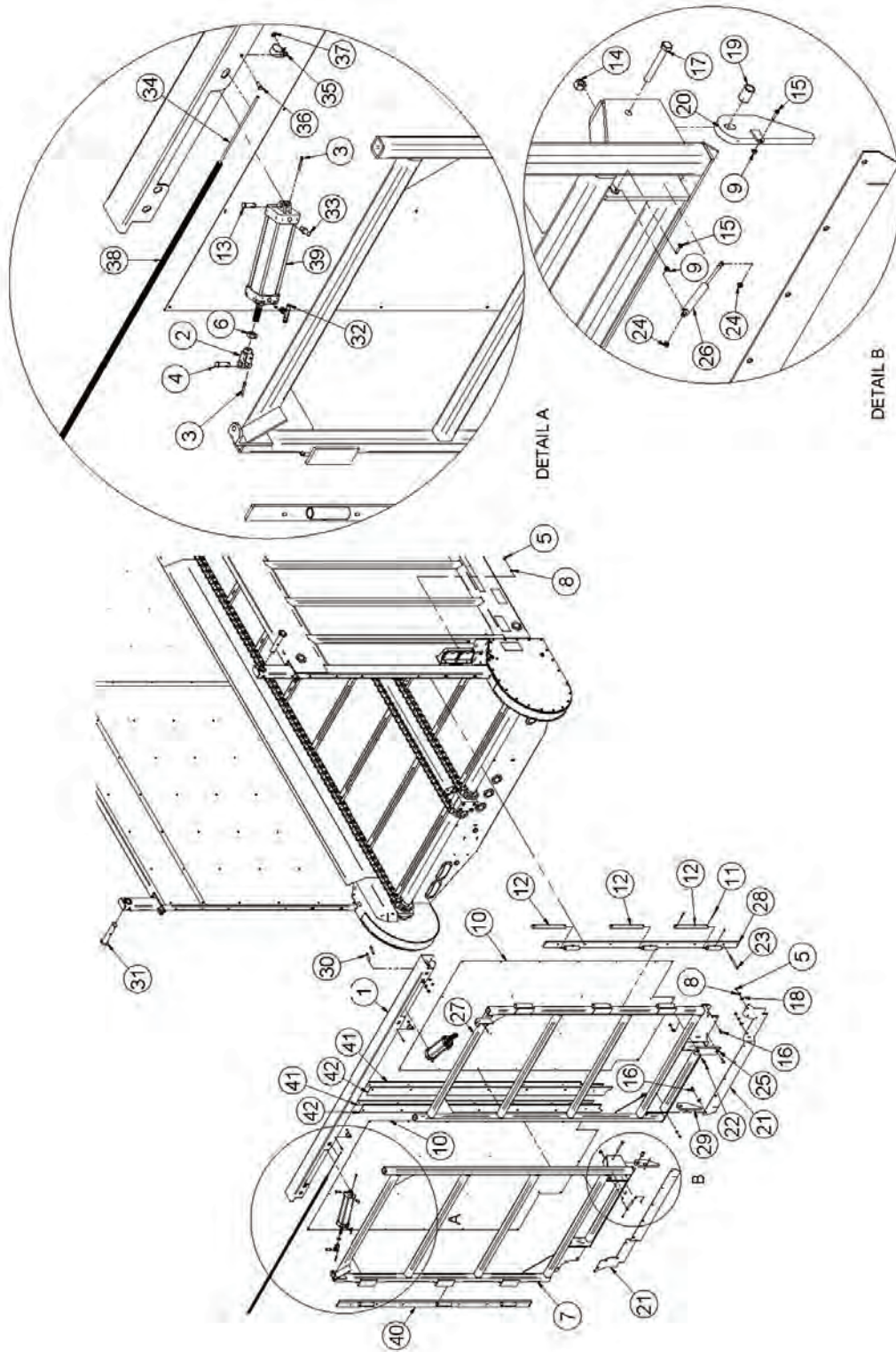


FIGURE 17

OPTIONAL AIR BARN DOORS

<u>ITEM</u>	<u>QTY</u>	<u>PART#</u>	<u>DESCRIPTION</u>
1	1	0227WE01	CHANNEL, TOP
2	2	8542	CLEVIS
3	2	YPCT05005	COTTER PIN, 5/32 X 1
4	2	8544	CLEVIS PIN, 1/2 X 1-1/2
*	1	56264	CLEVIS ASSEMBLY (INCLUDES ITEM # 2, 3 & 4)
5	2	8543	CLEVIS PIN, 1/2 X 1-3/8
6	2	YNJM20010	NUT HEX, JAM, 5/8
7	1	0227WE04	DOOR LH
8	34	YWLO12005	LOCK WASHER, 3/8
9	2	YNHX62005	NUT HEX, MACHINE, #8-32
10	1	022716G01	PANEL DOOR RH
*	1	66286	PANEL DOOR LH
11	12	YPEX08015	EXPANSION PIN, 1/4 X 1 3/4
12	6	0227SH01	HINGE PIN
13	34	YNHX12005	NUT HEX, 3/8
14	2	YNTL16005	NUT HEX, TOP LOCK, 1/2
15	2	1135	SCREW MACHINE, PHILLIPS HEAD, #8-32 x .75
16	16	YBHH12010	SCREW HEX CAP, 3/8 X 1 G5
17	2	YBHH16115	BOLT HEX, 1/2 X 3-1/2 G5
18	34	YWFL12005	WASHER FLAT , 3/8 G5
19	2	0227PI02	LATCH SPACER
20	1	0227WE07	LATCH LH
21	2	0227RU01	DOOR SEAL, BOTTOM
22	4	YBCR12020	BOLT CARRIAGE, 3/8 X 1-1/4 G5
23	12	YBHH12200	BOLT HEX, 3/8 X 5 G5
24	2	YNNY62005	NUT HEX, NYLON, INSERT LOCKNUT, #8-32
25	2	0227PL01	POLY BUMPER
26	2	SD190	GAS STRUT
27	1	0227WE05	DOOR RH
28	1	0227WE03	STAKE HINGE RH
29	1	0227WE08	LATCH RH
30	4	YBHH12110	BOLT HEX, 3/8 X 2-3/4 G5
31	2	BBS64	DOOR HINGE PIN
32	2	GD26	MALE BRANCH TEE, 1/4
33	2	GD7	VENT PLUG, 1/4 (CONE SHAPED)
34	1	0227MS03	CYLINDER TIE AIR LINE
35	2	HGV72	WIRE CLAMP, #12
36	2	YBHH08100	BOLT HEX, 1/4 X 3/4 G5
37	2	YNHX08005	NUT HEX, TOP LOCK, 1/4
38	1	0227MS02	WIRE LOOM
39	2	GD49	AIR CYLINDER, 2-1/2
40	1	0227WE02	STAKE HINGE LH
41	2	02273G05	DOOR SEAL HOLD DOWN
42	2	0227RU02	DOOR SEAL

*MEANS NOT SHOWN

FIGURE 18 **GRAIN HOPPER KIT**

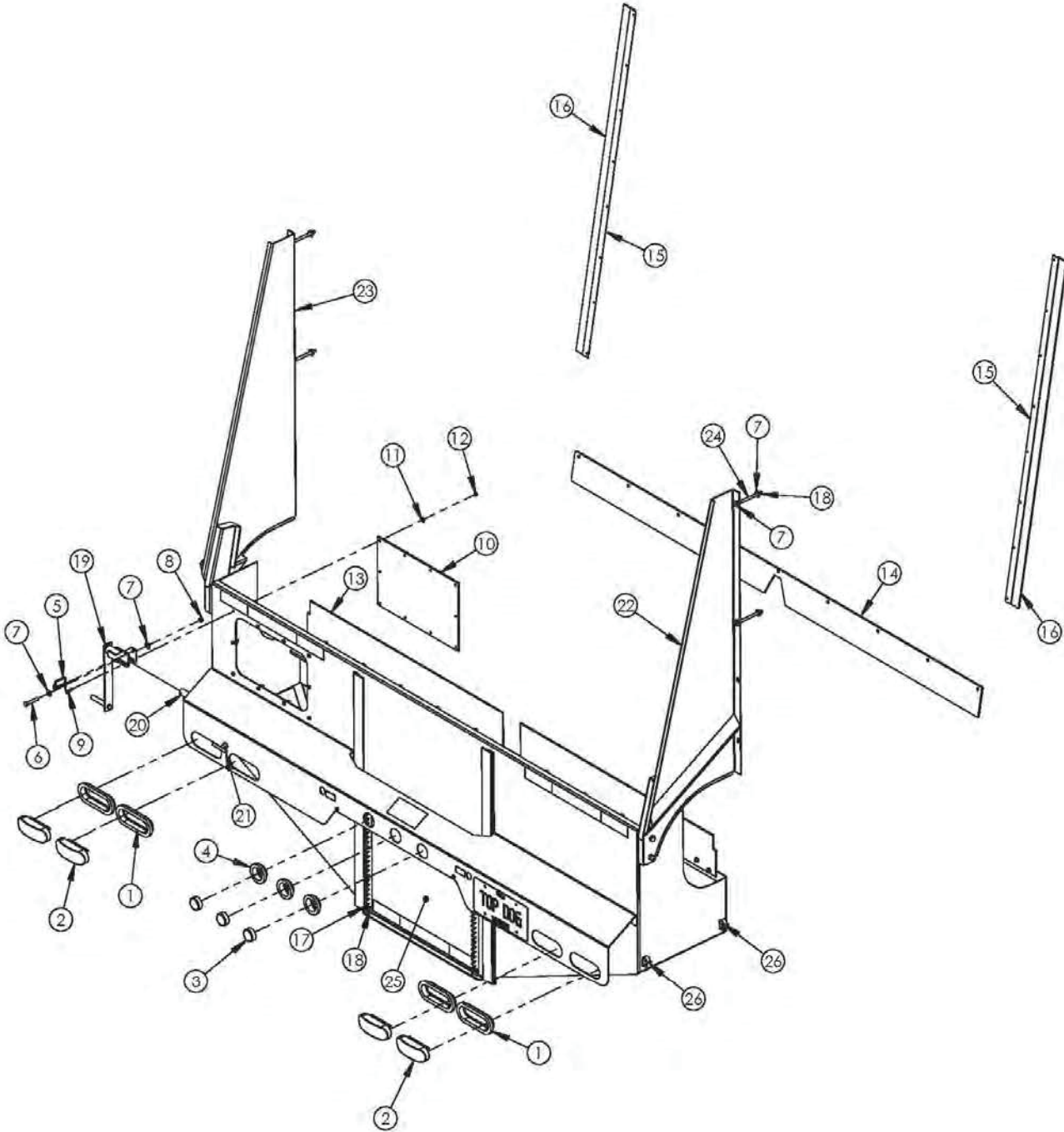


FIGURE 18

GRAIN HOPPER KIT

<u>ITEM</u>	<u>QTY</u>	<u>PART#</u>	<u>DESCRIPTION</u>
1	4	S308	OVAL LIGHT GROMMET
2	4	S310	RED OVAL LIGHT
3	3	BBS92	RED ROUND MARKER LIGHT
4	3	BBS91	ROUND LIGHT GROMMET
5	1	DWM324	SNAP PIN
6	1	YBHH12100	BOLT HEX, 3/8 X 2-1/4 G5
7	9	YWFL12005	WASHER FLAT, 3/8
8	1	YNTL12005	NUT HEX, TOP LOCK, 3/8
9	10	YBHH08010	BOLT HEX, 1/4 X 1 G5
10	1	GH7	HOPPER WINDOW
11	10	YWFL08005	WASHER FLAT, 1/4
12	10	YNNY08005	NUT HEX, NYLON LOCKNUT, 1/4
13	1	0226RU02	HOPPER SEAL, UPPER
14	1	BBS68	DOOR RUBBER
15	2	0226MS01	BRUSH HOLDER, 1-1/4
16	2	0226MS04	BRUSH LONG, 2
17	2	YBHH12130	BOLT HEX, 3/8 X 3/4 G2
18	4	YNHX12005	NUT HEX, 3/8
19	1	GH8	FOLDING CRANK
20	1	0226WE04	DOOR DRIVE, BACK
21	1	GH11	DRAG BLOCK TIGHTENER
22	1	0226WE02	SIDE EXTENSION RH
23	1	0226WE03	SIDE EXTENSION LH
24	4	YBHH12200	BOLT HEX, 3/8 X 5 G5
25	1	GH4	HOPPER DOOR, BACK
26	2	HGV162	RUBBER WIRE HOLDER, 1/2

FIGURE 19
HYDRAULIC FLOW CONTROL

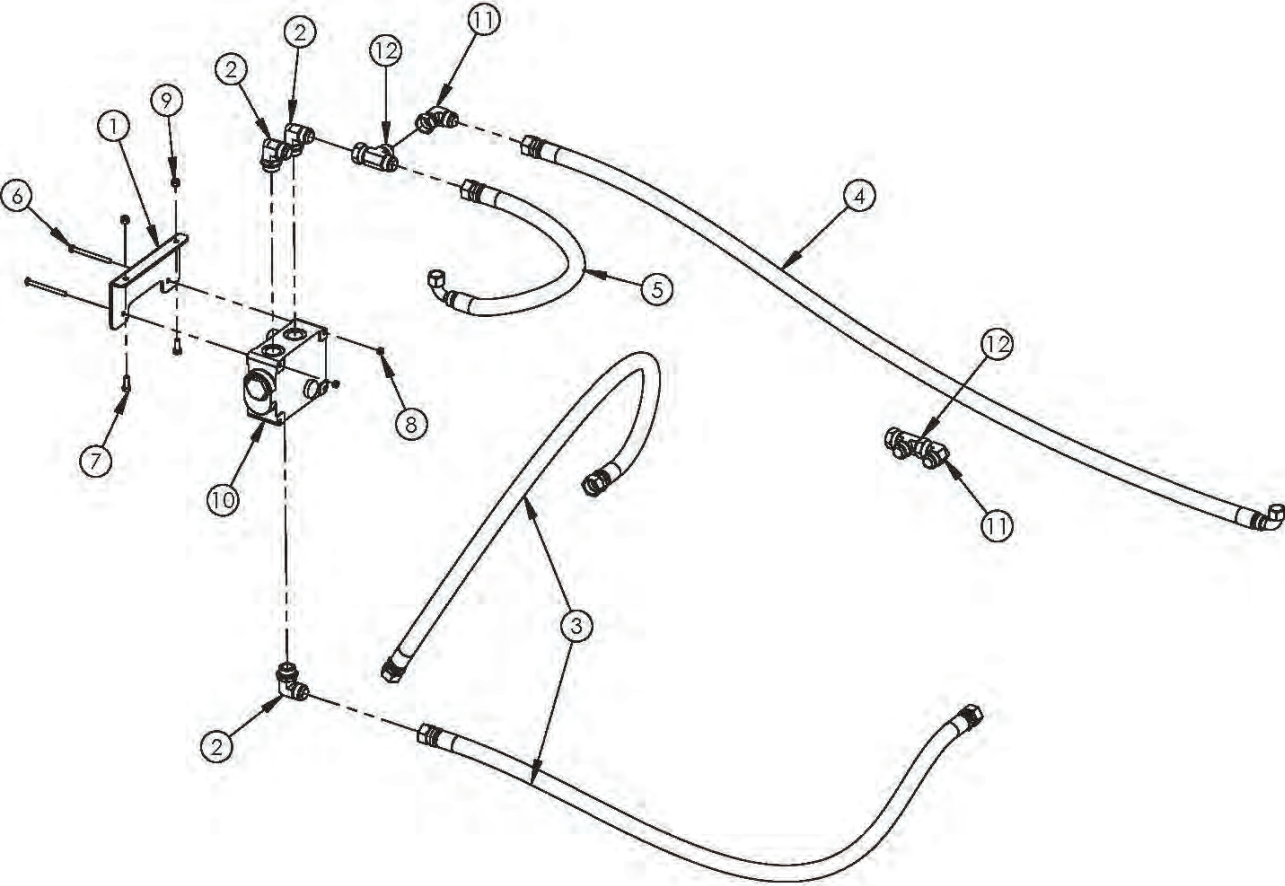


FIGURE 19

HYDRAULIC FLOW CONTROL

<u>ITEM</u>	<u>QTY</u>	<u>PART#</u>	<u>DESCRIPTION</u>
1	1	02266G02	FLOW CONTROL MOUNT
2	3	BBS52	ELBOW, STRAIGHT THREAD
3	2	BBSTMS24	HYD HOSE, MOTOR FLOW CONTROL, (65)
4	1	BBSTMS25	HYD HOSE, FLOW TO MOTOR, LONG
5	1	BBSTMS26	HYD HOSE, FLOW TO MOTOR, SHORT
6	2	YBHH10112	BOLT HEX, 5/16 X 3-3/4 G5
7	2	YBHH12010	BOLT HEX, 3/8 X 1 G5
8	2	YNHX10005	NUT HEX, 5/16
9	2	YNNY12005	NUT HEX, NYLON LOCKNUT, 3/8
10	1	BBS51	FLOW CONTROL
11	2	8021	SWIVEL NUT ELBOW
12	2	CHM182	SWIVEL NUT RUN TEE

FIGURE 20 CHASSIS MOUNT KIT

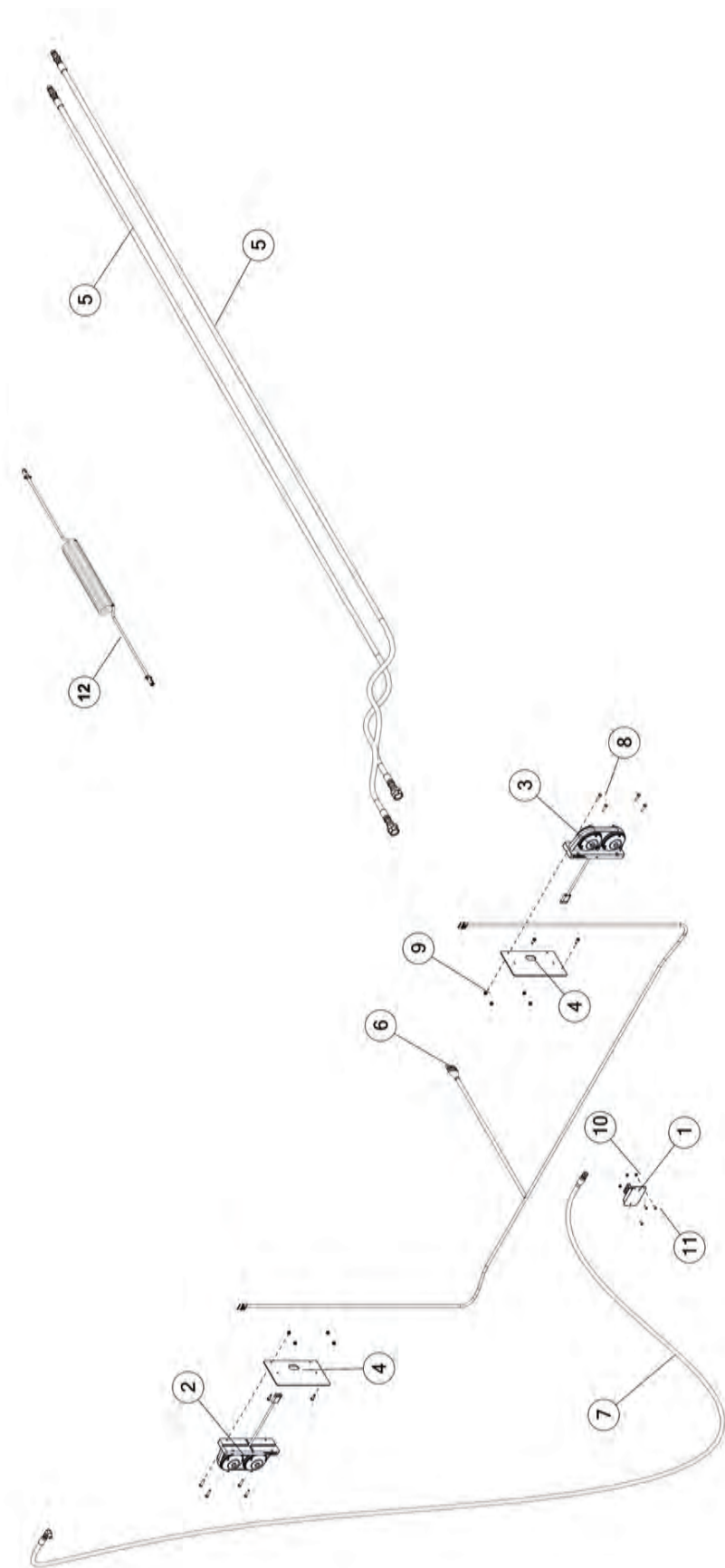


FIGURE 20
CHASSIS MOUNT KIT

<u>ITEM</u>	<u>QTY</u>	<u>PART#</u>	<u>DESCRIPTION</u>
1	1	69908	CONTROL BLINKER MODULE
2	1	77923	TAIL LIGHT LH
3	1	77924	TAIL LIGHT RH
4	2	86040	LIGHT BRACKET
5	2	73578	HYDRAULIC HOSE 8 X 171
6	1	78360	BACK LIGHT HARNESS
7	1	78689	HYDRAULIC HOSE 6 X 230
8	8	YBHH08035	BOLT HEX, 1/4 X 1-1/4 G5
9	8	YNFG08010	NUT FLANGE, 1/4
10	3	YNNY64005	NUT HEX
11	3	YSPN64005	SCREW PAN HEAD, 10-24 X 5/8
12	1	TLPC7	TRANSPORT LIGHT CORD 7 PIN

FIGURE 21
SCREEN FILLER KIT

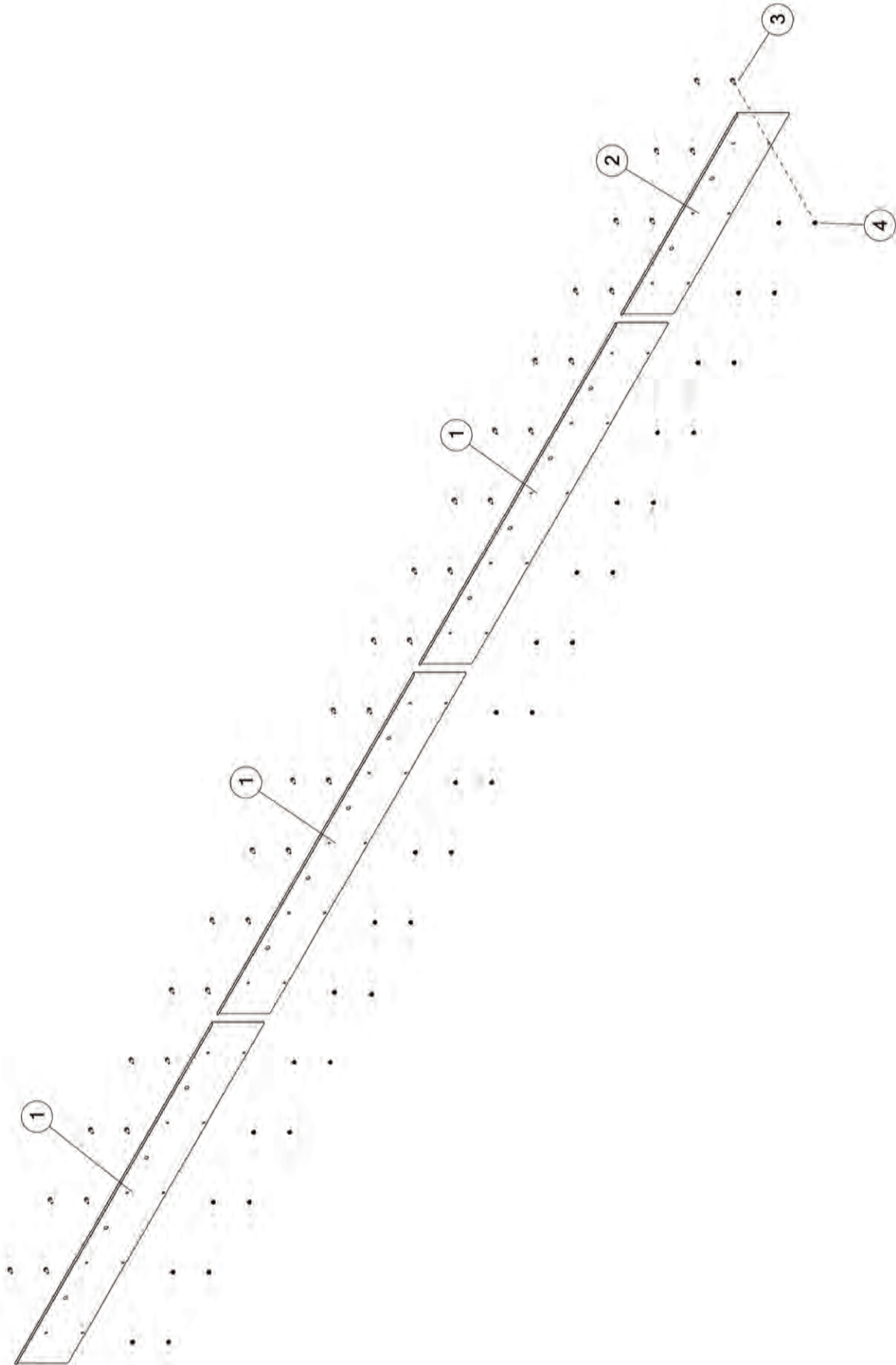


FIGURE 21
SCREEN FILLER KIT

<u>ITEM</u>	<u>QTY</u>	<u>PART#</u>	<u>DESCRIPTION</u>
1	3	82466	SCREEN COVER, BACK
2	1	82903	SCREEN COVER, BACK
3	36	YBFB10075	BOLT FLANGE, 5/16 X 3/4 G5
4	36	YNFG10005	NUT FLANGE, 5/16

FIGURE 22
ROOF HOOD

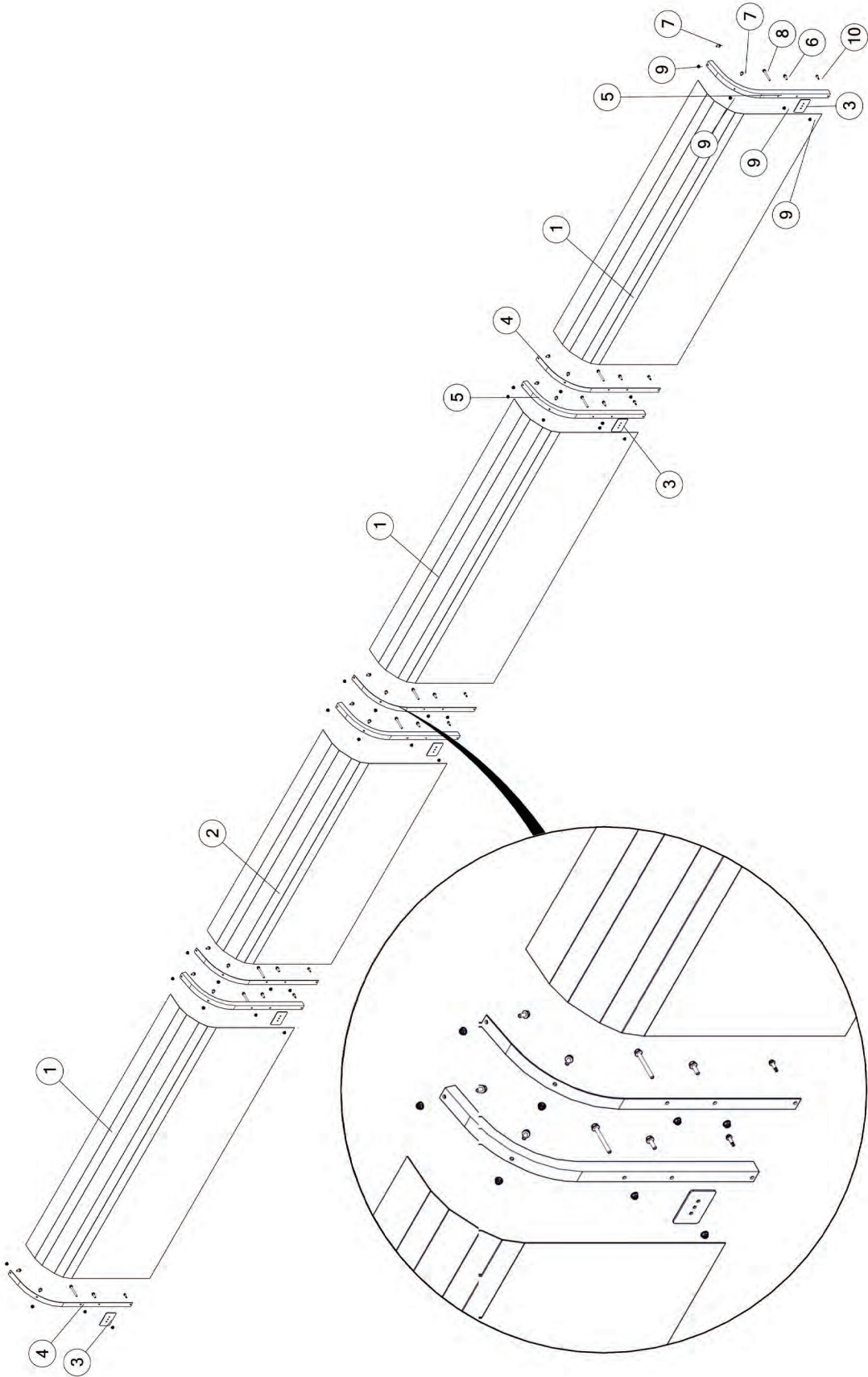


FIGURE 22 ROOF HOOD

<u>ITEM</u>	<u>QTY</u>	<u>PART#</u>	<u>DESCRIPTION</u>
1	3	82907	ROOF EDGE RADIUS
2	1	82964	ROOF EDGE RADIUS
3	4	82969	ROOF HOOD SCREEN WASHER
4	3	IFB38	ROOF RADIUS SUPPORT LH (FORMED)
5	4	IFB40	ROOF RADIUS SUPPORT RH (FORMED)
4	1	IFB38	ROOF RADIUS SUPPORT LH (FORMED)
6	1	YBFB10001	BOLT FLANGE, 5/16 X 1 G5
7	2	YBFB10075	BOLT FLANGE, 5/16 X 3/4 G5
8	1	YBFB10300	BOLT FLANGE, 5/16 X 3 G5
9	4	YNFG10005	NUT FLANGE, 5/16 GF
10	1	YSDR08005	SCREW SELF DRILLING, HEX WASHER HEAD, 1/4 X 1

FIGURE 23
ELECTRIC DRIVE FLIP TARP

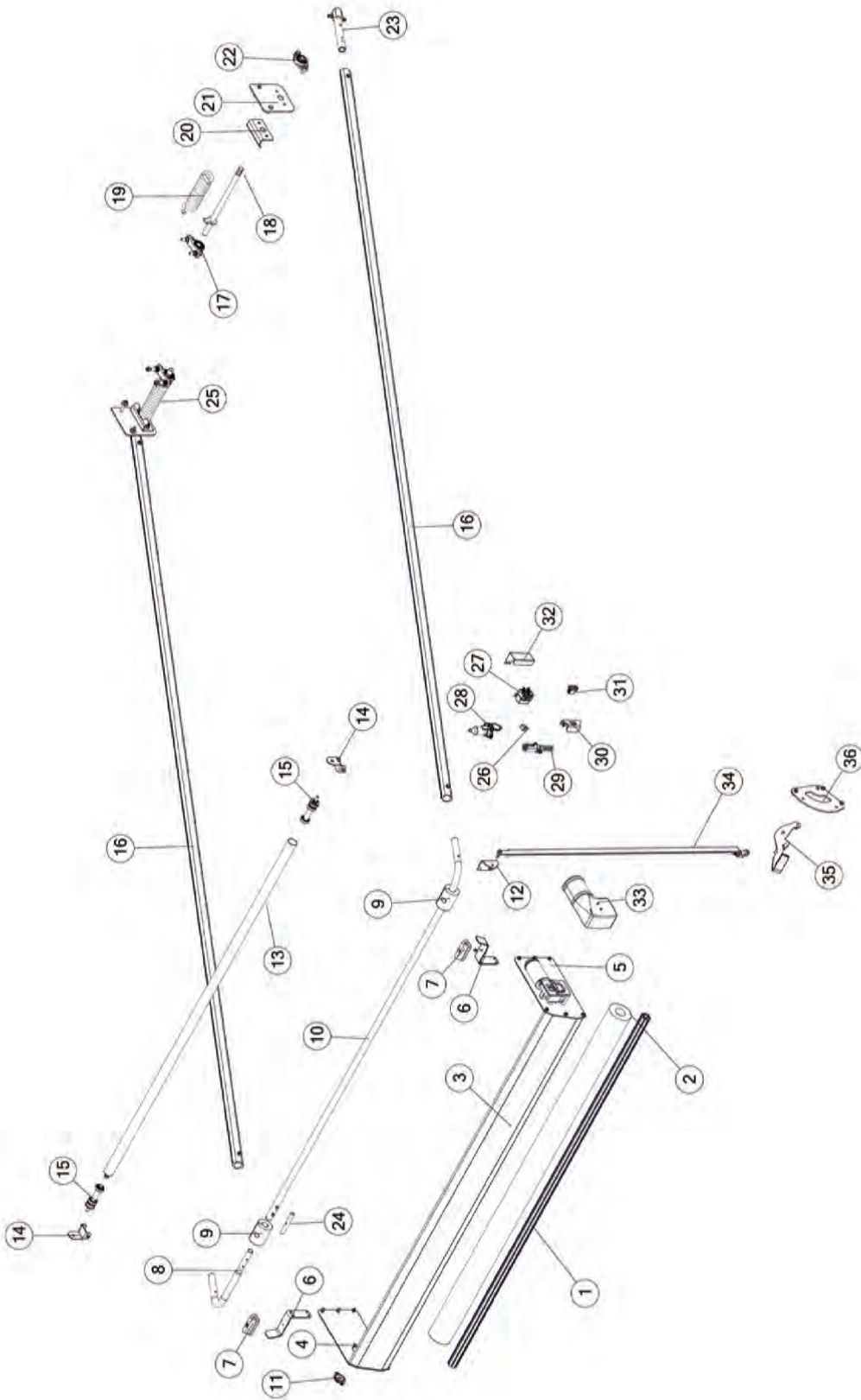


FIGURE 23

ELECTRIC DRIVE FLIP TARP

<u>ITEM</u>	<u>QTY</u>	<u>PART#</u>	<u>DESCRIPTION</u>
1	1	80056	THREADED TARP AXLE
2	1	80361	SHUR-MATIC ARM TARP, 40 X 94
3	1	80057	ALUMINUM WINDSHIELD
4	1	80055	TARP AXLE SIDE PLATE RH
5	1	80054	TARP AXLE SIDE PLATE LH
6	2	80065	ALUMINUM PIVOT ARM REST BRACKET
7	2	80066	RUBBER BUMPER
8	1	80082	TARP TUBE ELBOW
9	2	80085	RUBBER BUMPERS, 3-1/4 X 4-1/2
10	1	80083	TARP TUBE CROSSOVER
11	1	80113	RADIAL BALL BEARING W/FLANGES
12	1	78505	UPPER ATTACH BRACKET
13	1	80068	ROLLER GUIDE TUBE
14	2	80069	TARP ROLLER GUIDE BRACKET
15	2	80070	TARP ROLLER GUIDE BEARING ASSEMBLY
16	2	80052	ALUMINUM RETURN ARM
17	2	80046	PILLOW BLOCK BEARING, 1
18	2	80049	SPRING SHAFT
19	1	80050	TORSION SPRING
20	2	80044	SPRING RETAINER BRACKET
21	2	80042	DROP PLATE
22	2	80045	FLANGE BEARING 1 ID
23	2	80081	POLISHED HEX PIVOT CASTING, 7/8
24	1	80064	TARP AXLE STUB SHAFT
25	1	80043	TORSION SPRING
26	1	80378	50-AMP AUTO-RESET CIRCUIT BREAKER
27	1	80403	MOTOR REVERSING SOLENOID
28	1	80402	DUAL-CONDUCTOR SOCKET W/ BOOT
29	1	80390	HEAVY-DUTY DUAL-CONDUCTOR PLUG
30	1	80376	ROCKER SWITCH MOUNTING BRACKET
31	1	80377	ROCKER SWITCH
32	1	80375	SOLENOID COVER
33	1	80058	DURABUILT MOTOR W/ COVER, 3-1/8
34	1	78488	FOLD DOWN LINKAGE
35	1	78009	SPRING RETAIN LEVER
36	1	78012	VARIABLE STOP DOUBLER

FIGURE 24
ELECTRIC SIDE-TO-SIDE TARP OPTION

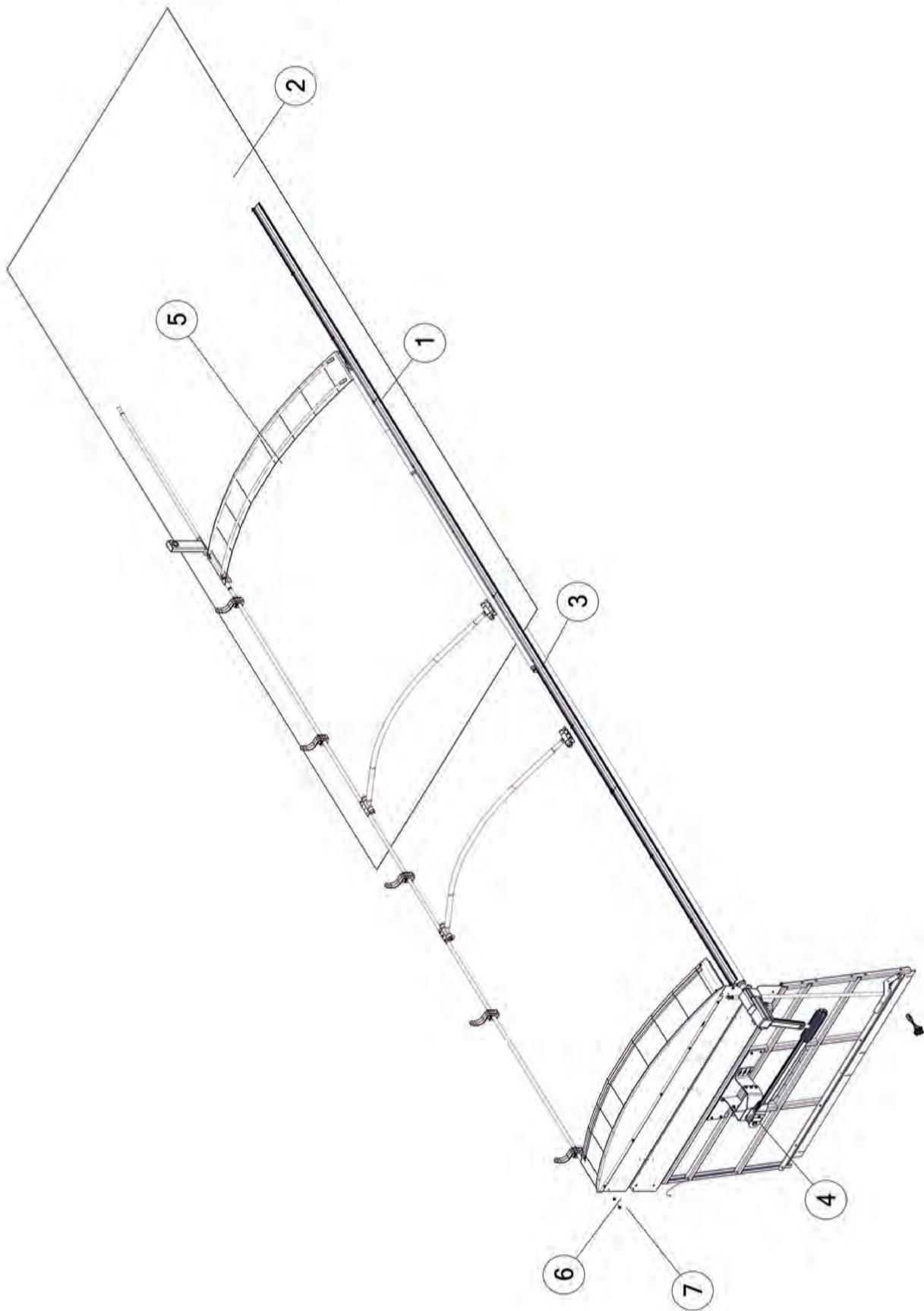


FIGURE 24
ELECTRIC SIDE-TO-SIDE TARP OPTION

<u>ITEM</u>	<u>QTY</u>	<u>PART#</u>	<u>DESCRIPTION</u>
1	1	85908	PIPE KIT, 16 FT
2	1	85028	TARP, 26 FT
3	1	85910	RETURN KIT
4	1	85770	ROCKER ARM KIT
5	1	86034	MAIN KIT
6	2	YNFG12006	NUT FLANGE, 3/8
7	2	YBFB12003	BOLT FLANGE, 3/8 X 1

CHANGES NOTES

H&S MFG. CO.

products approved

for the

FEMA

SEAL OF QUALITY

