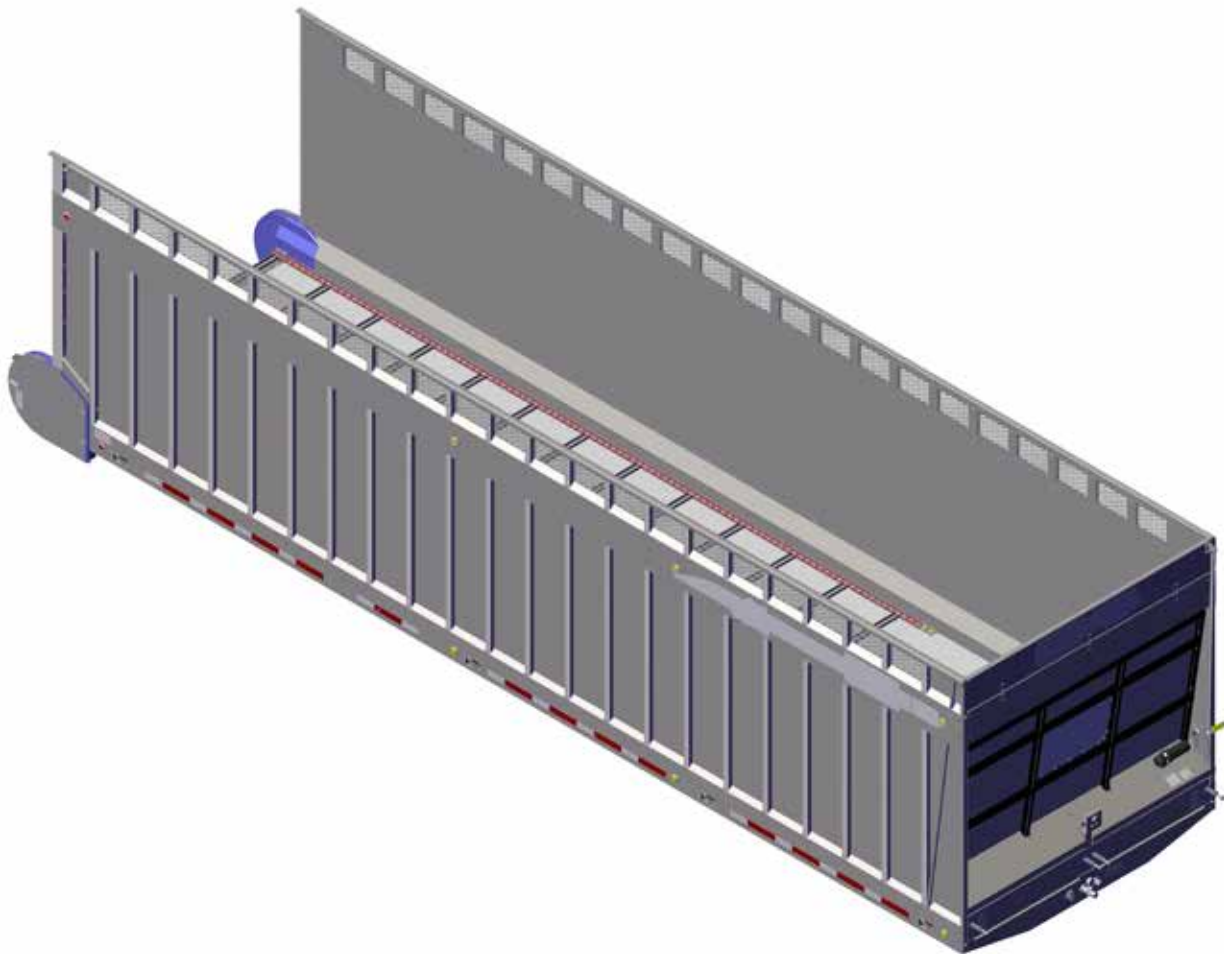




# BD1126 BIG DOG FORAGE BOX



Revision #04  
Starting Ser. #021BD26007

HSMFG0720

PART#76906

Manufactured by  
**H&S MANUFACTURING CO., INC.**  
2608 S. HUME AVE. MARSHFIELD, WI 54449  
(715) 387-3414 | [hsmfgco.com](http://hsmfgco.com)



# CONTENTS

|  |       |
|--|-------|
| Instructions For Ordering Parts – About Improvements .....     | 1     |
| Figure 1 - Body Panels LH .....                                | 2-3   |
| Figure 2 – Body Panels RH .....                                | 4-5   |
| Figure 3 – Window and Components .....                         | 6-7   |
| Figure 4 – Front Linkage & Components .....                    | 8-9   |
| Figure 5 – Front Guards & Components .....                     | 10-11 |
| Figure 6 – Floor & Components .....                            | 12-13 |
| Figure 7 – Apron Chain .....                                   | 14-15 |
| Figure 8 – Idler Shaft Components .....                        | 16-17 |
| Figure 9 – Drive Shaft & Components .....                      | 18-19 |
| Figure 10 – Drive Sprocket LH .....                            | 20-21 |
| Figure 11 – Drive Sprocket RH .....                            | 22-23 |
| Figure 12 – Hydraulics .....                                   | 24-25 |
| Figure 13 – Tail Lights & Components .....                     | 26-27 |
| Figure 14 – Lights .....                                       | 28-29 |
| Figure 15 – Back Door & Components .....                       | 30-31 |
| Figure 16 – Optional Barn Doors .....                          | 32-35 |
| Figure 17 – Optional Air Barn Doors .....                      | 36-37 |
| Figure 18 – Grain Hopper Kit .....                             | 38-39 |
| Figure 19 – Hydraulic Flow Control .....                       | 40-41 |
| Figure 20 - Chassis Mount Kit .....                            | 42-43 |
| Figure 21 - Screen Filler Kit .....                            | 44-45 |
| Figure 22 - Roof Hood .....                                    | 46-47 |
| Figure 23 - Electric Drive Flip Tarp .....                     | 48-49 |
| Figure 24 - Optional Electric Actuator Control Flip Down ..... | 50-51 |
| Figure 25 - Electric Side-to-Side Tarp Option .....            | 52-53 |
| Parts Notes .....  | 54    |

# **INSTRUCTIONS FOR ORDERING PARTS**

All service parts should be ordered through your authorized H&S dealer. He will be able to give you faster service if you will provide them with the following:

1. Model & Serial Number - Both can be located on the left, rear main frame of your unit.
2. All references to left or right apply to the machine as viewed from the rear.
3. Parts should not be ordered from illustration only. Please order complete part number.
4. If your dealer has to order parts - give shipping instructions:

VIA truck - large pieces (please specify local truck lines)

VIA United Parcel Service (include full address)



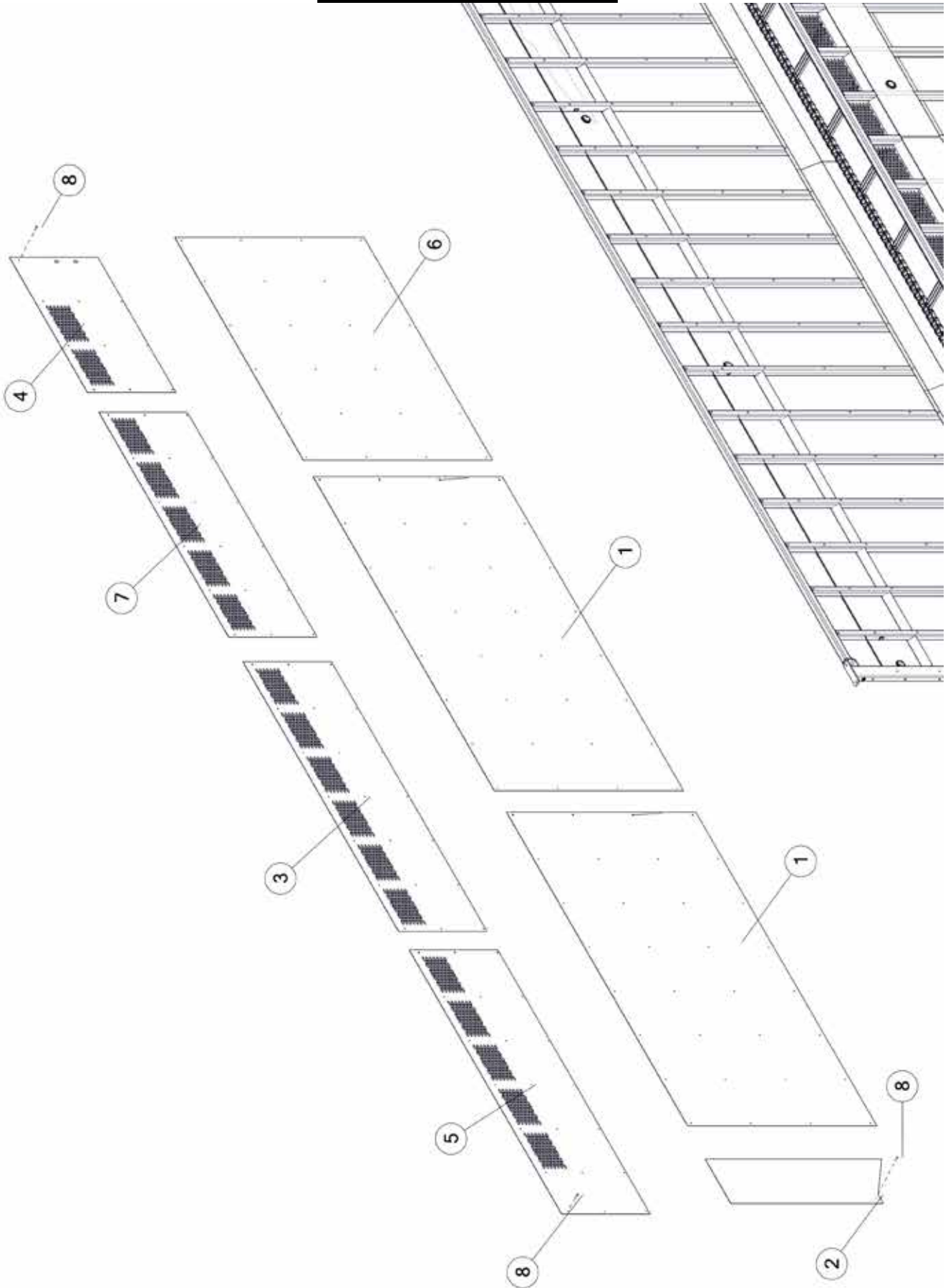
PLEASE RECORD NUMBERS FOR YOUR UNIT FOR QUICK REFERENCE

## **ABOUT IMPROVEMENTS**

H&S IS CONTINUALLY STRIVING TO IMPROVE IT'S PRODUCTS

We must therefore, reserve the right to make improvements or changes whenever it becomes practical to do so, without incurring any obligation to make changes or additions to the equipment previously sold.

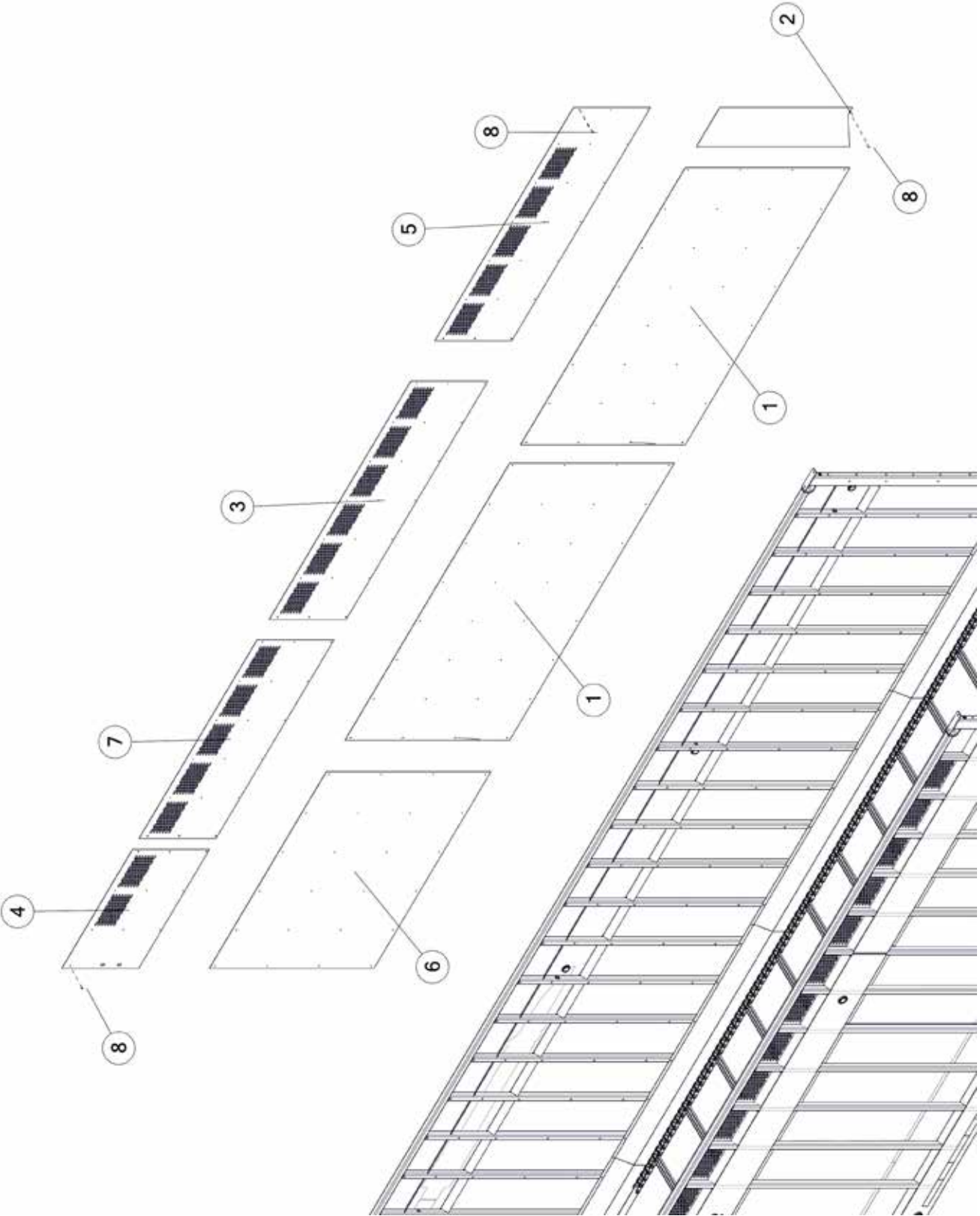
**FIGURE 1**  
**BODY PANELS LH**



**FIGURE 1**  
**BODY PANELS LH**

| <b><u>ITEM</u></b> | <b><u>QTY</u></b> | <b><u>PART#</u></b> | <b><u>DESCRIPTION</u></b> |
|--------------------|-------------------|---------------------|---------------------------|
| 1                  | 2                 | 78452               | PANEL SIDE, CENTER        |
| 2                  | 1                 | 79482               | PANEL SIDE, BACK          |
| 3                  | 1                 | 81793               | EXTENSION SIDE CENTER     |
| 4                  | 1                 | 81851               | EXTENSION SIDE, FRONT     |
| 5                  | 1                 | 81852               | EXTENSION SIDE, BACK      |
| 6                  | 1                 | 81979               | PANEL, FRONT              |
| 7                  | 1                 | 82669               | EXTENSION SIDE, CENTER    |
| 8                  | 120               | 1043                | HUCK RIVET                |

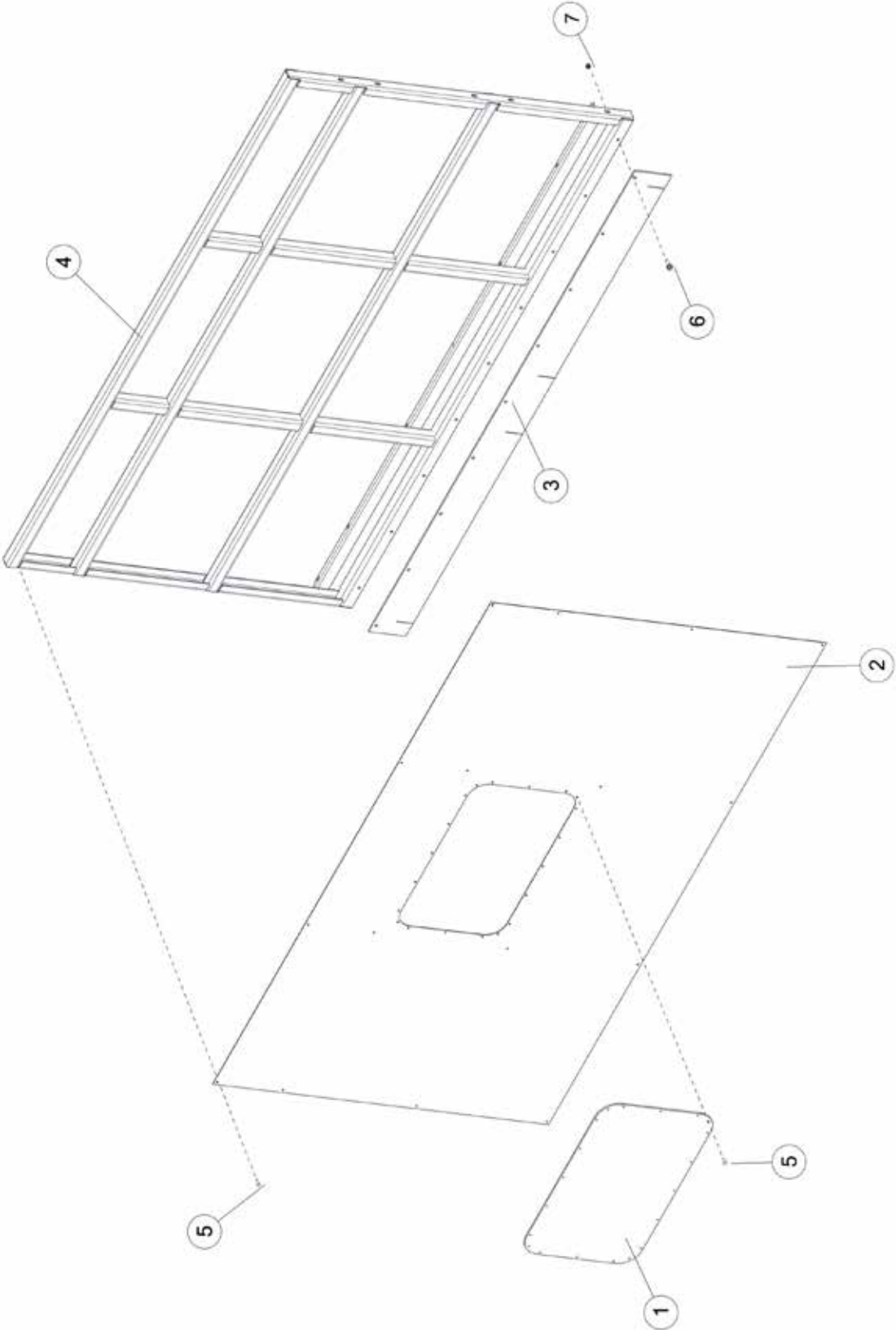
**FIGURE 2**  
**BODY PANELS RH**



**FIGURE 2**  
**BODY PANELS RH**

| <b><u>ITEM</u></b> | <b><u>QTY</u></b> | <b><u>PART#</u></b> | <b><u>DESCRIPTION</u></b> |
|--------------------|-------------------|---------------------|---------------------------|
| 1                  | 2                 | 78452               | PANEL, CENTER             |
| 2                  | 1                 | 79482               | PANEL SIDE, BACK          |
| 3                  | 1                 | 81793               | EXTENSION SIDE, CENTER    |
| 4                  | 1                 | 81851               | EXTENSION SIDE, FRONT     |
| 5                  | 1                 | 81852               | EXTENSION SIDE, BACK      |
| 6                  | 1                 | 81979               | PANEL, FRONT              |
| 7                  | 1                 | 82669               | EXTENSION SIDE, CENTER    |
| 8                  | 120               | 1043                | HUCK RIVET                |

**FIGURE 3**  
**WINDOW & COMPONENTS**

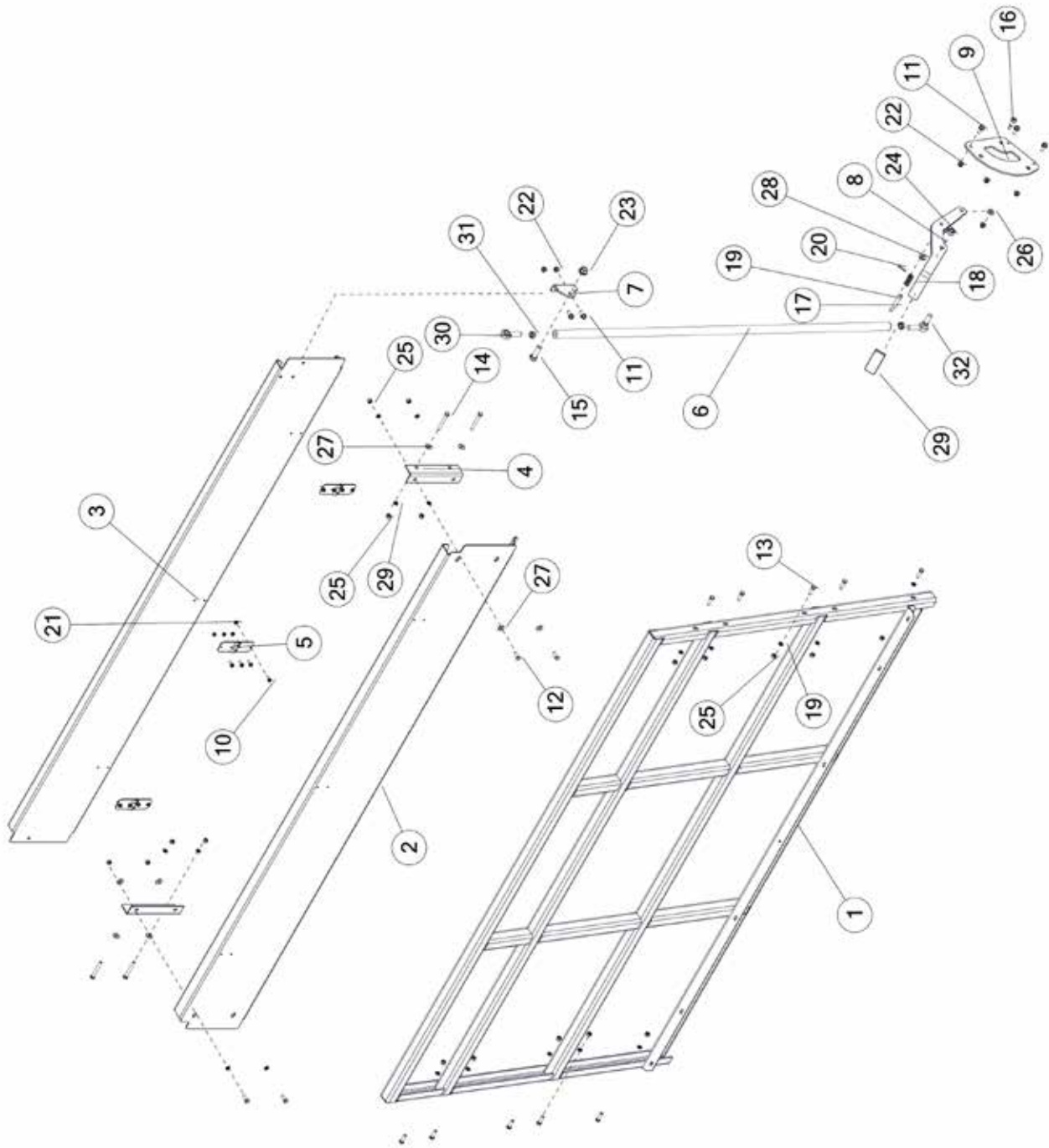




**FIGURE 3**  
**WINDOW & COMPONENTS**

| <b><u>ITEM</u></b> | <b><u>QTY</u></b> | <b><u>PART#</u></b> | <b><u>DESCRIPTION</u></b>   |
|--------------------|-------------------|---------------------|-----------------------------|
| 1                  | 1                 | 55839               | WINDOW W/HOLES              |
| 2                  | 1                 | 78092               | PANEL, FRONT                |
| 3                  | 1                 | 78274               | RUBBER SEAL, FRONT          |
| 4                  | 1                 | 78093               | FRAME, SLANTED              |
| 5                  | 16                | 1043                | HUCK RIVET                  |
| 6                  | 9                 | YBFB12125           | BOLT FLANGE, 3/8 X 1-1/4 G5 |
| 7                  | 9                 | YNFG12006           | NUT FLANGE, 3/8             |

# **FIGURE 4** **FRONT LINKAGE & COMPONENTS**

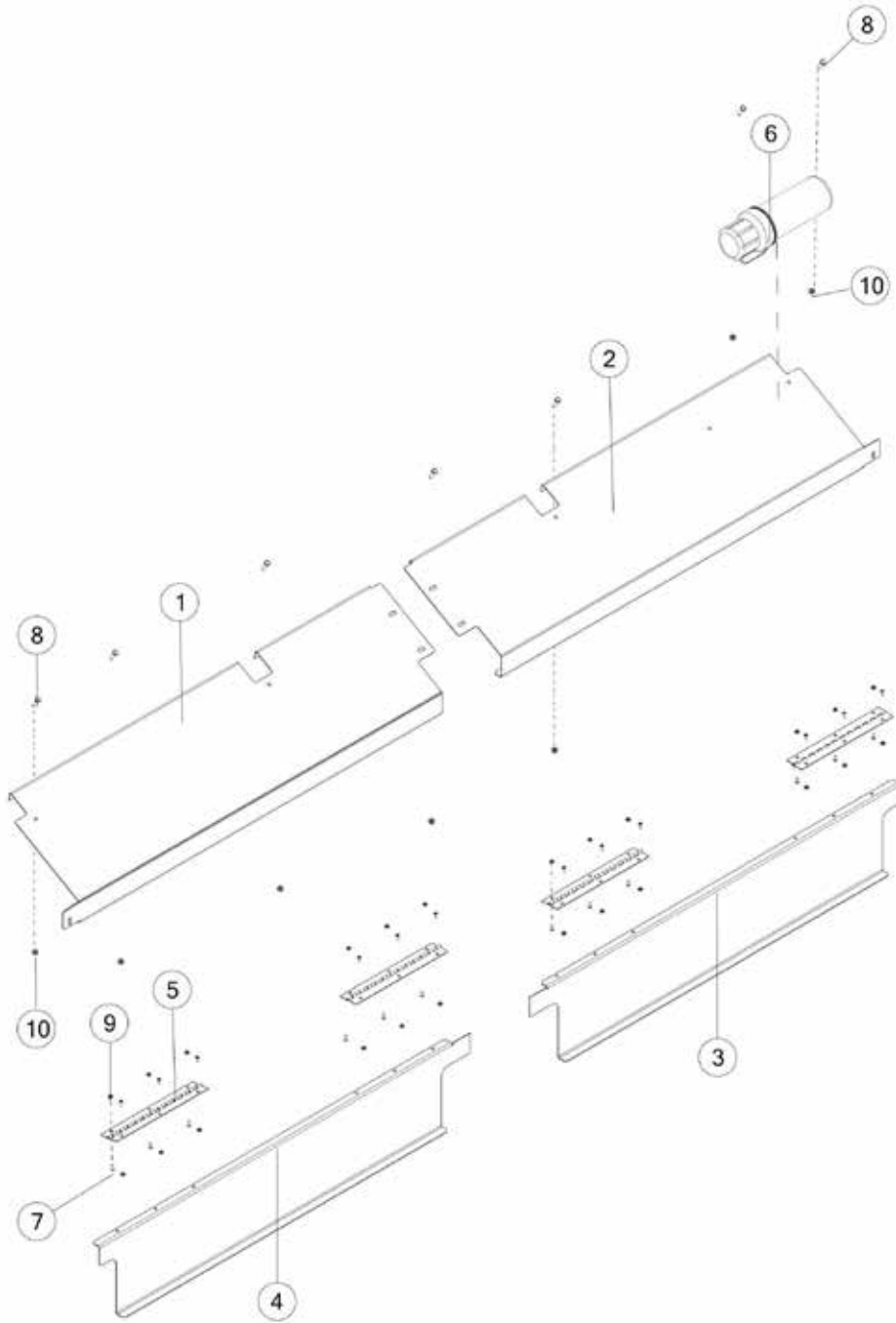


## FIGURE 4

### FRONT LINKAGE & COMPONENTS

| <u>ITEM</u> | <u>QTY</u> | <u>PART#</u> | <u>DESCRIPTION</u>            |
|-------------|------------|--------------|-------------------------------|
| 1           | 1          | 78093        | FRAME, SLANTED                |
| 2           | 1          | 82135        | PANEL, FRONT UPPER            |
| 3           | 1          | 82138        | PANEL, UPPER                  |
| 4           | 2          | 02306G01     | ANGLE                         |
| 5           | 3          | 82134        | HINGE                         |
| 6           | 1          | 82377        | FOLD DOWN LINK, FRONT         |
| 7           | 1          | 82378        | BRACKET, UPPER                |
| 8           | 1          | 82372        | LEVER                         |
| 9           | 1          | 78012        | VARIABLE STOP                 |
| 10          | 9          | YBFB08075    | BOLT FLANGE, 1/4 X 3/4 G5     |
| 11          | 3          | YBFB12003    | BOLT FLANGE, 3/8 X 1 G5       |
| 12          | 4          | YBFB12003    | BOLT FLANGE, 3/8 X 1 G5       |
| 13          | 10         | YBFB12125    | BOLT FLANGE, 3/8 X 1-1/4 G5   |
| 14          | 4          | YBFB12300    | BOLT FLANGE, 3/8 X 3 G5       |
| 15          | 1          | YBFB20200    | BOLT FLANGE, 5/8 X 2 G5       |
| 16          | 1          | YBSU12012    | BOLT, 1/2 X 7/8               |
| 17          | 1          | IFB109       | PIN                           |
| 18          | 1          | IFB110       | LATCH SPRING                  |
| 19          | 14         | YWLO12005    | WASHER LOCK, 3/8              |
| 20          | 1          | YPCT05005    | COTTER PIN, 5/32 X 1          |
| 21          | 9          | YNFG08010    | NUT FLANGE, 1/4               |
| 22          | 5          | YNFG12006    | NUT FLANGE, 3/8               |
| 23          | 1          | YNFG20005    | NUT FLANGE, 5/8               |
| 24          | 1          | YNHX20008    | NUT HEX, 5/8-18 NAA ZC        |
| 25          | 14         | YNFG12006    | NUT FLANGE, 3/8               |
| 26          | 1          | 78027        | SPACER                        |
| 27          | 8          | YWFL12005    | WASHER FLAT, 3/8              |
| 28          | 1          | YWFL16010    | WASHER FLAT, 1/2              |
| 29          | 1          | S403         | HANDLE GRIP                   |
| 30          | 1          | 71593        | BEARING, 5/8 ROD END LH       |
| 31          | 2          | YNJM20011    | NUT, JAM, 5/8 G5 LH           |
| 32          | 1          | 71598        | BEARING, BALL JOINT 5/8 -18 M |

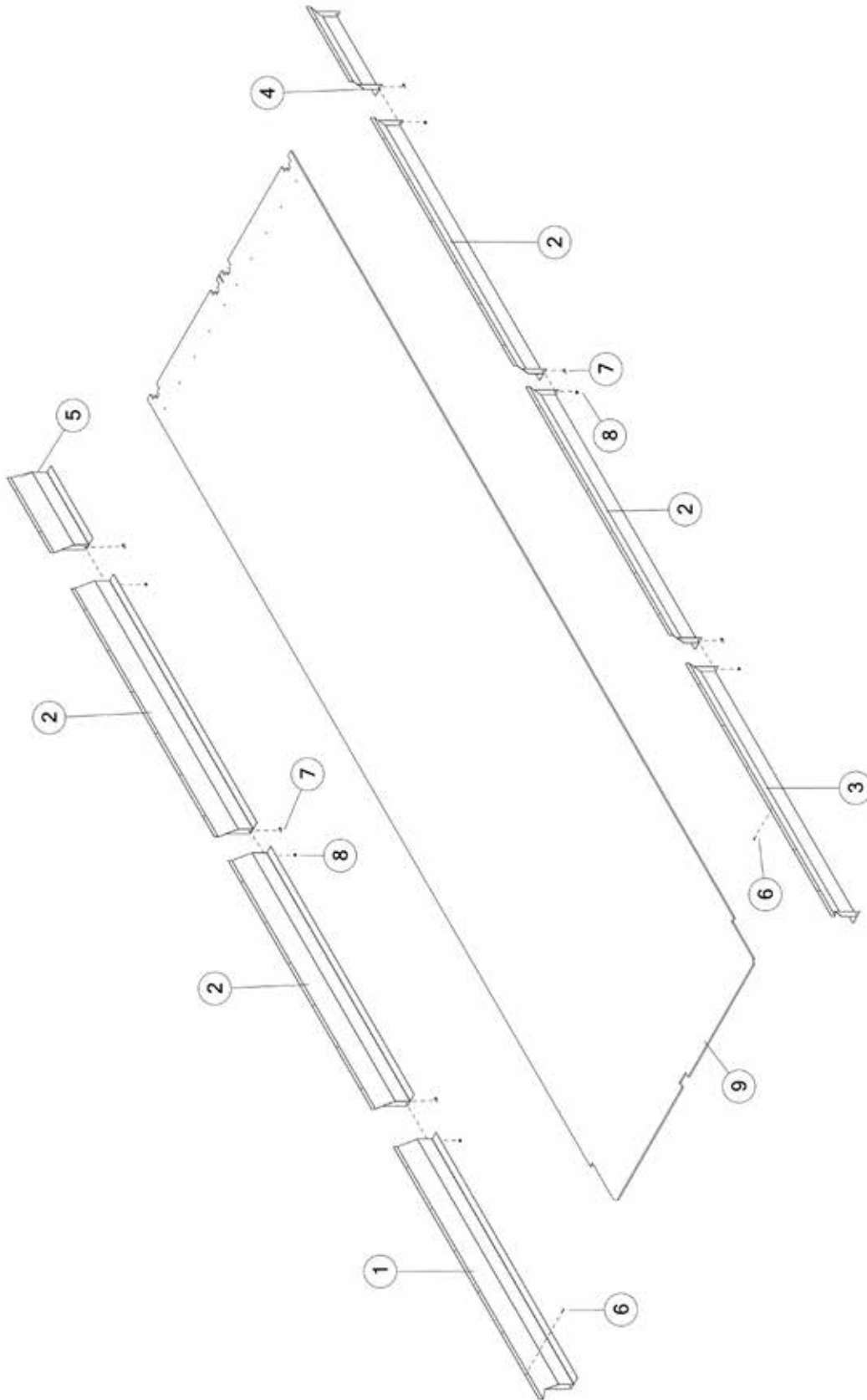
# **FIGURE 5** **FRONT GUARDS & COMPONENTS**



**FIGURE 5**  
**FRONT GUARDS & COMPONENTS**

| <b><u>ITEM</u></b> | <b><u>QTY</u></b> | <b><u>PART#</u></b> | <b><u>DESCRIPTION</u></b>        |
|--------------------|-------------------|---------------------|----------------------------------|
| 1                  | 1                 | BBS72               | FRONT SHIELD                     |
| 2                  | 1                 | BBST14G28B          | FRONT SHIELD SLANT LH            |
| 3                  | 1                 | BBST14G20B          | FRONT SHIELD BOTTOM LH           |
| 4                  | 1                 | BBS73B              | FRONT SHIELD BOTTOM LH           |
| 5                  | 4                 | BBSTMS15            | HINGE 12 IN                      |
| 6                  | 1                 | S522                | MANUAL HOLDER                    |
| 7                  | 24                | YSFM62005           | FLAT HEAD CAP SCREW, #8-32 X 1/2 |
| 8                  | 8                 | YBFB08100           | BOLT FLANGE, 1/4 X 1 G5          |
| 9                  | 24                | YNNY62005           | NUT HEX, #8-32, LKNY             |
| 10                 | 8                 | YNFG08010           | NUT FLANGE, 1/4                  |

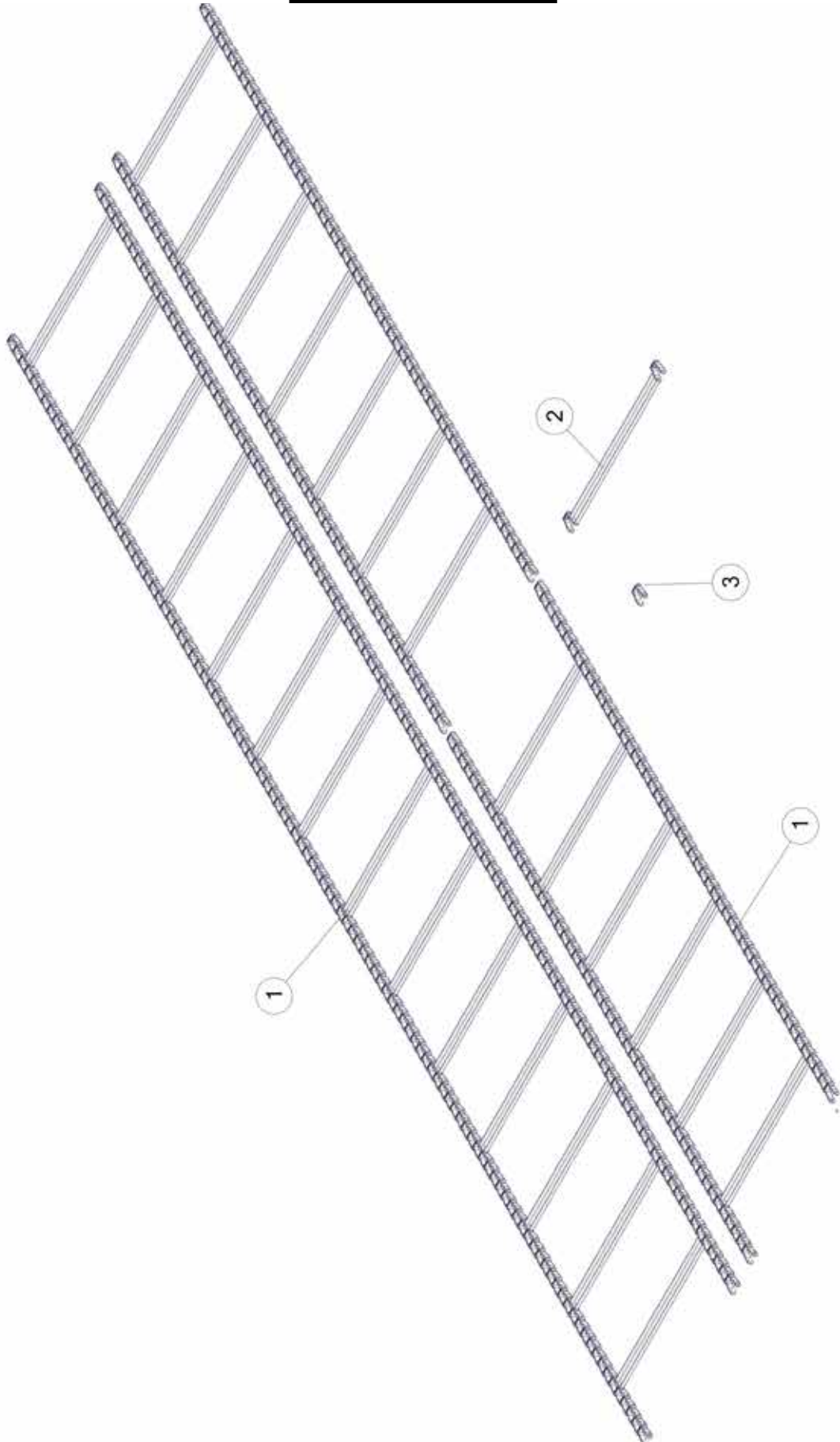
# **FIGURE 6** **FLOOR & COMPONENTS**



**FIGURE 6**  
**FLOOR & COMPONENTS**

| <b><u>ITEM</u></b> | <b><u>QTY</u></b> | <b><u>PART#</u></b> | <b><u>DESCRIPTION</u></b>   |
|--------------------|-------------------|---------------------|-----------------------------|
| 1                  | 1                 | 81940               | PANEL SLANT, BACK LH        |
| 2                  | 4                 | 81947               | PANEL SLANT, INSIDE, CENTER |
| 3                  | 1                 | 81949               | PANEL SLANT, BACK RH        |
| 4                  | 1                 | 82405               | PANEL SLANT, FRONT RH       |
| 5                  | 1                 | 82484               | PANEL SLANT, FRONT LH       |
| 6                  | 2                 | 1043                | HUCK RIVET                  |
| 7                  | 2                 | YBFB12075           | BOLT FLANGE, 3/8 X 3/4      |
| 8                  | 2                 | YNNY12005           | NUT FLANGE, 3/8             |
| 9                  | 1                 | 82713               | POLY FLOOR                  |

**FIGURE 7**  
**APRON CHAIN**

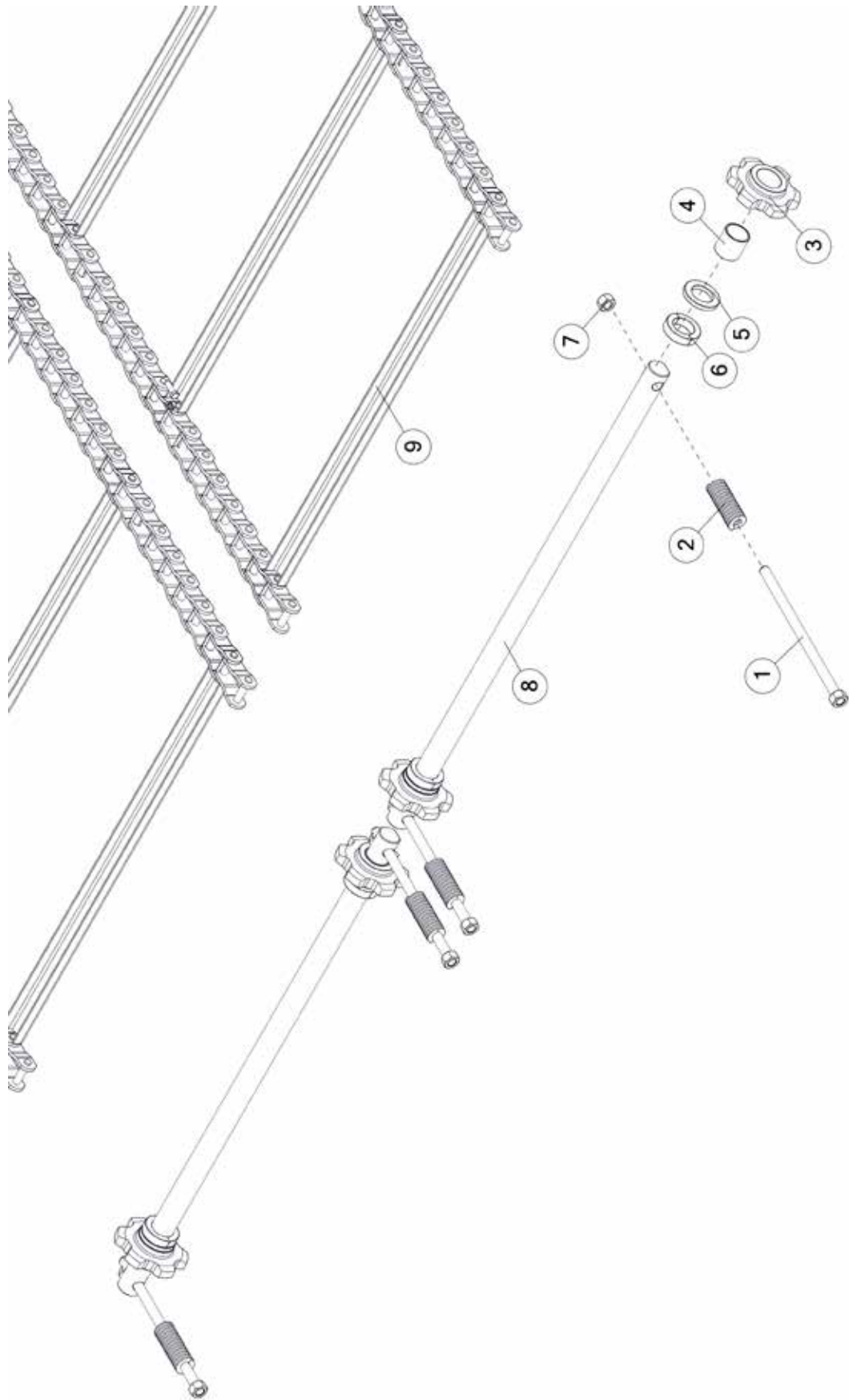




**FIGURE 7**  
**APRON CHAIN**

| <b><u>ITEM</u></b> | <b><u>QTY</u></b> | <b><u>PART#</u></b> | <b><u>DESCRIPTION</u></b>    |
|--------------------|-------------------|---------------------|------------------------------|
| 1                  | 4                 | 78317               | PINTLE APRON CHAIN           |
| 2                  | 3                 | 8060                | CHAIN SLAT W/ATTACHMENT LINK |
| 3                  | 4                 | 8061                | CONNECTOR LINK               |

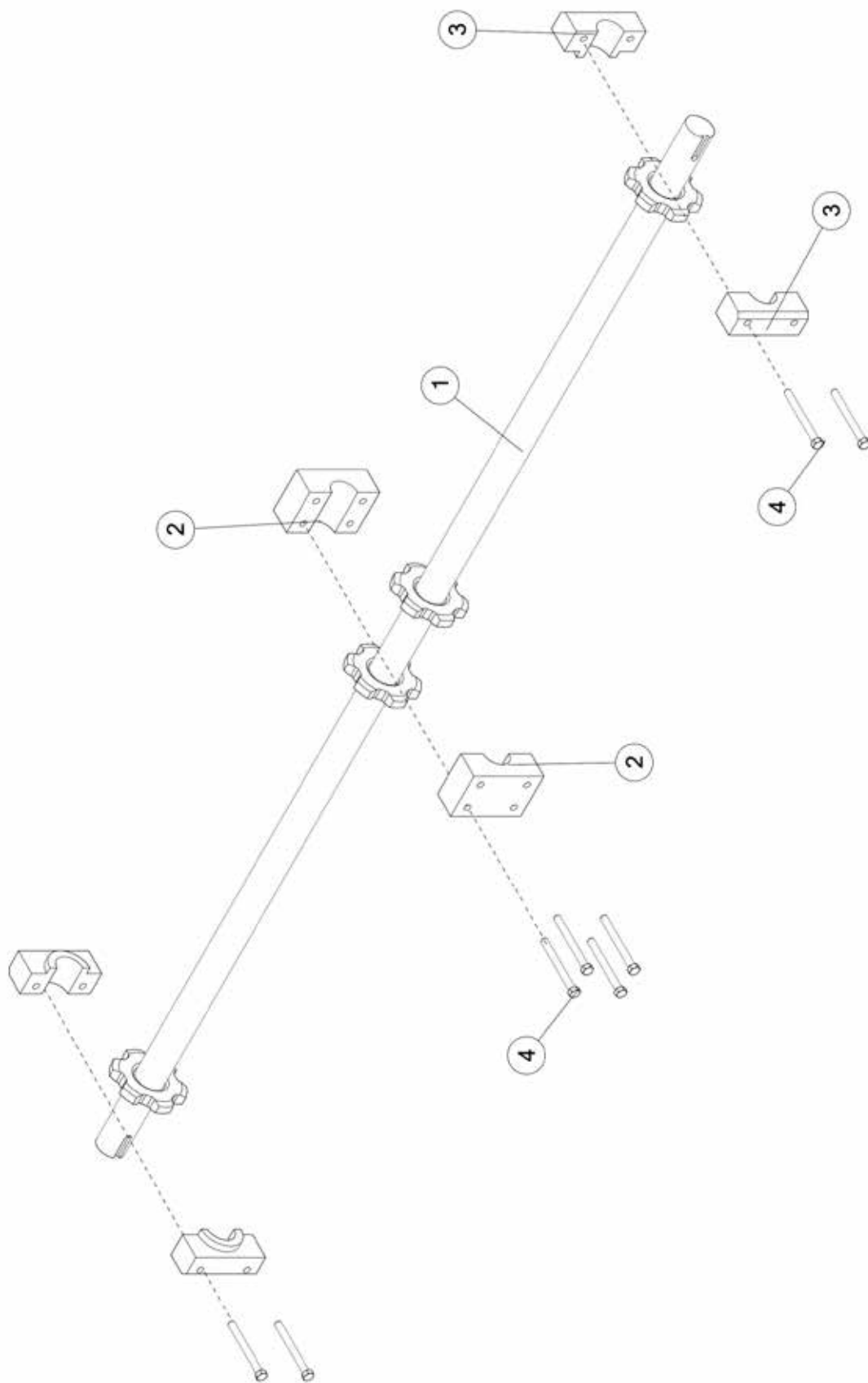
**FIGURE 8**  
**IDLER SHAFT COMPONENTS**



**FIGURE 8**  
**IDLER SHAFT COMPONENTS**

| <b><u>ITEM</u></b> | <b><u>QTY</u></b> | <b><u>PART#</u></b> | <b><u>DESCRIPTION</u></b> |
|--------------------|-------------------|---------------------|---------------------------|
| 1                  | 4                 | BBS34               | TIGHTENER ROD             |
| 2                  | 4                 | BBS35               | COMPRESSION SPRING        |
| 3                  | 4                 | BBSTSH07            | IDLER SPROCKET (6T)       |
| 4                  | 4                 | RGT3                | BUSHING                   |
| 5                  | 4                 | BBSTPL05            | POLY SPACER               |
| 6                  | 4                 | 8340                | CLAMP COLLAR              |
| 7                  | 4                 | YNHX24004           | NUT HEX, 3/4 G5           |
| 8                  | 2                 | BBS29               | IDLER SHAFT, FRONT        |
| 9                  | 2                 | 78317               | APRON CHAIN               |

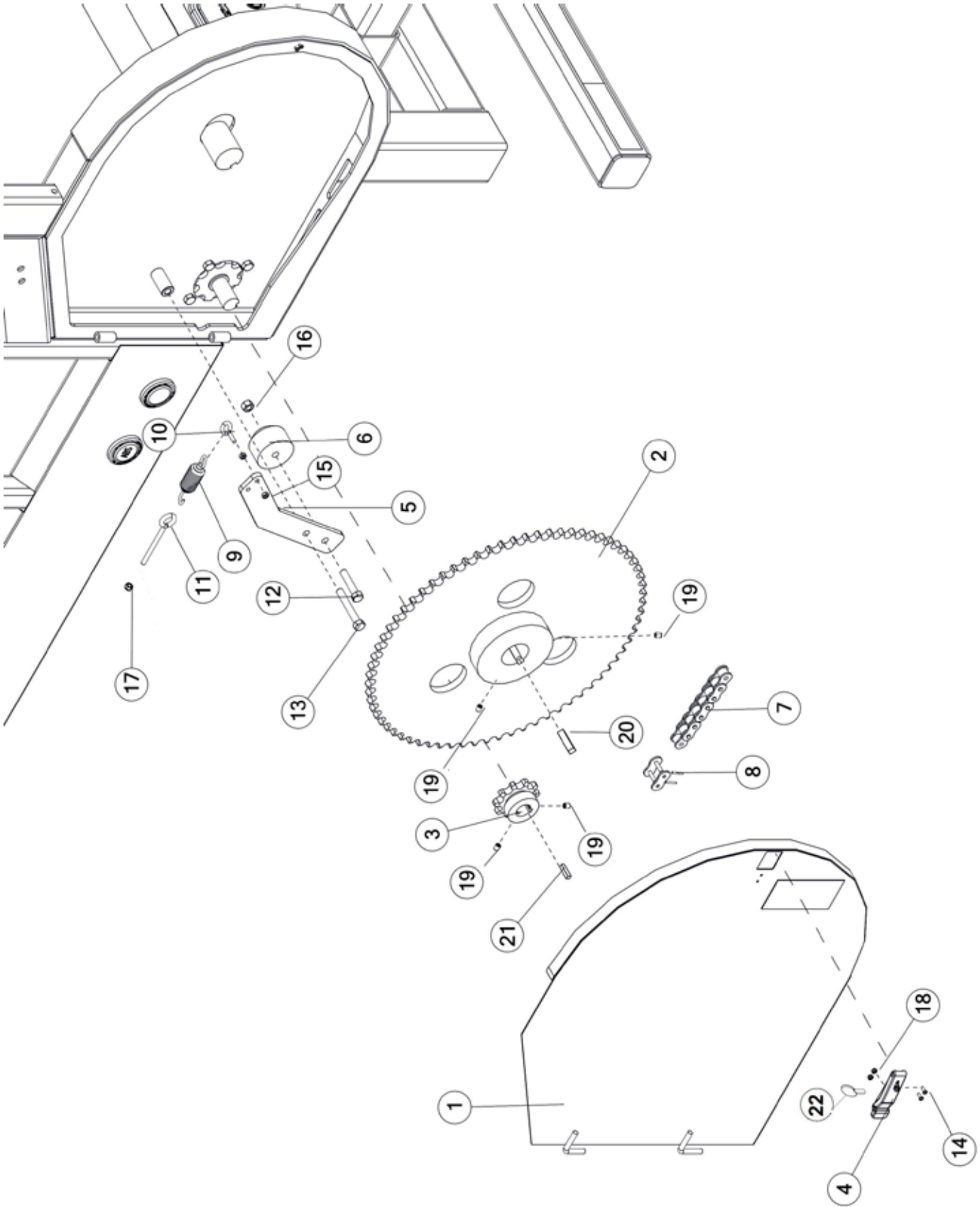
# **FIGURE 9** **DRIVE SHAFT & COMPONENTS**



**FIGURE 9**  
**DRIVE SHAFT & COMPONENTS**

| <b><u>ITEM</u></b> | <b><u>QTY</u></b> | <b><u>PART#</u></b> | <b><u>DESCRIPTION</u></b>  |
|--------------------|-------------------|---------------------|----------------------------|
| 1                  | 1                 | BBSTWE04            | DRIVE SHAFT                |
| 2                  | 2                 | BBS62               | CENTER DRIVE SHAFT BEARING |
| 3                  | 4                 | BBS63               | OUTER DRIVE SHAFT BEARING  |
| 4                  | 8                 | YBFB16500           | BOLT FLANGE, 1/2 X 5       |

**FIGURE 10**  
**DRIVE SPROCKET LH**

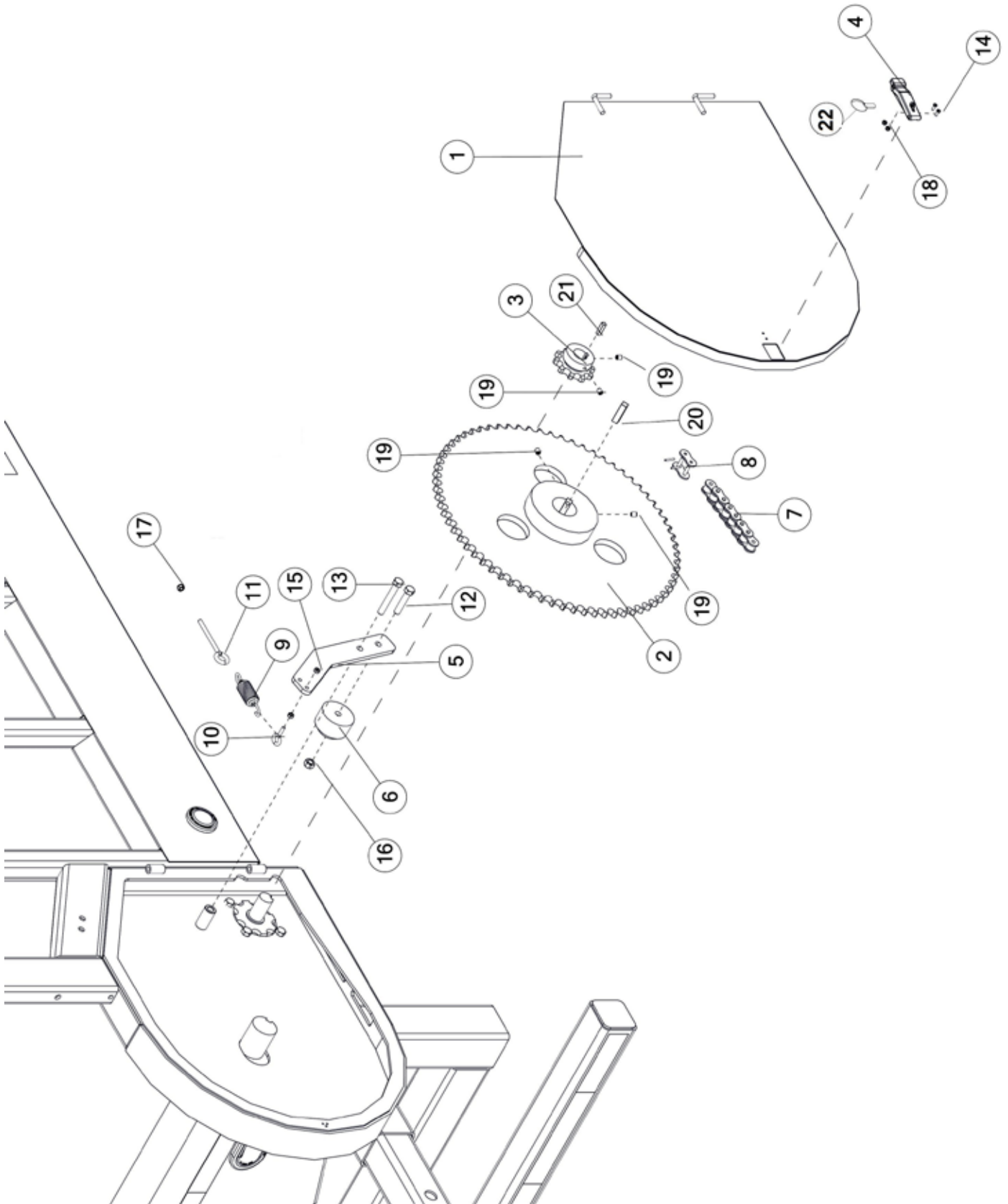


## FIGURE 10

### DRIVE SPROCKET LH

| <u>ITEM</u> | <u>QTY</u> | <u>PART#</u> | <u>DESCRIPTION</u>                 |
|-------------|------------|--------------|------------------------------------|
| 1           | 1          | 81996        | SHIELD, CHAIN CASE LH              |
| 2           | 1          | BBS60        | DRIVEN SPROCKET                    |
| 3           | 1          | BBS61        | DRIVE SPROCKET                     |
| 4           | 1          | 80180        | DRAW LATCH                         |
| 5           | 1          | BBS9         | TIGHTENER BAR                      |
| 6           | 1          | BBS10        | POLY TIGHTENER                     |
| 7           | 1          | 1042         | ROLLER CHAIN                       |
| 8           | 1          | IFB17        | CONNECTOR LINK                     |
| 9           | 1          | GM410        | EXTENSION SPRING                   |
| 10          | 1          | YBTE08005    | BOLT TURNED EYE, 1/4 X 1           |
| 11          | 1          | YBTE10040    | BOLT TURNED EYE, 5/16 X 4          |
| 12          | 1          | YBHH16080    | BOLT HEX, 1/2 X 2-1/2 G5           |
| 13          | 1          | YBHH16115    | BOLT HEX, 1/2 X 3-1/2 G5           |
| 14          | 2          | YSPP62006    | SCREW PAN #8-32 X 1/2              |
| 15          | 2          | YNHX08005    | NUT HEX, 1/4                       |
| 16          | 1          | YNRL16005    | NUT HEX, REVERSIBLE-SIDE LOCK, 1/2 |
| 17          | 1          | YNFG10005    | NUT FLANGE, 5/16                   |
| 18          | 2          | YNNY62005    | NUT HEX, 8-32                      |
| 19          | 4          | YSKP12010    | SCREW SET, 3/8 X 1/2               |
| 20          | 1          | BBS59        | SQUARE KEY, 1/2 X 2                |
| 21          | 1          | G23A         | SQUARE KEY, 5/16 X 1-1/4           |
| 22          | 1          | YPLY08011    | LYNCH PIN, 1/4 X 1-9/16            |

# FIGURE 11 DRIVE SPROCKET RH



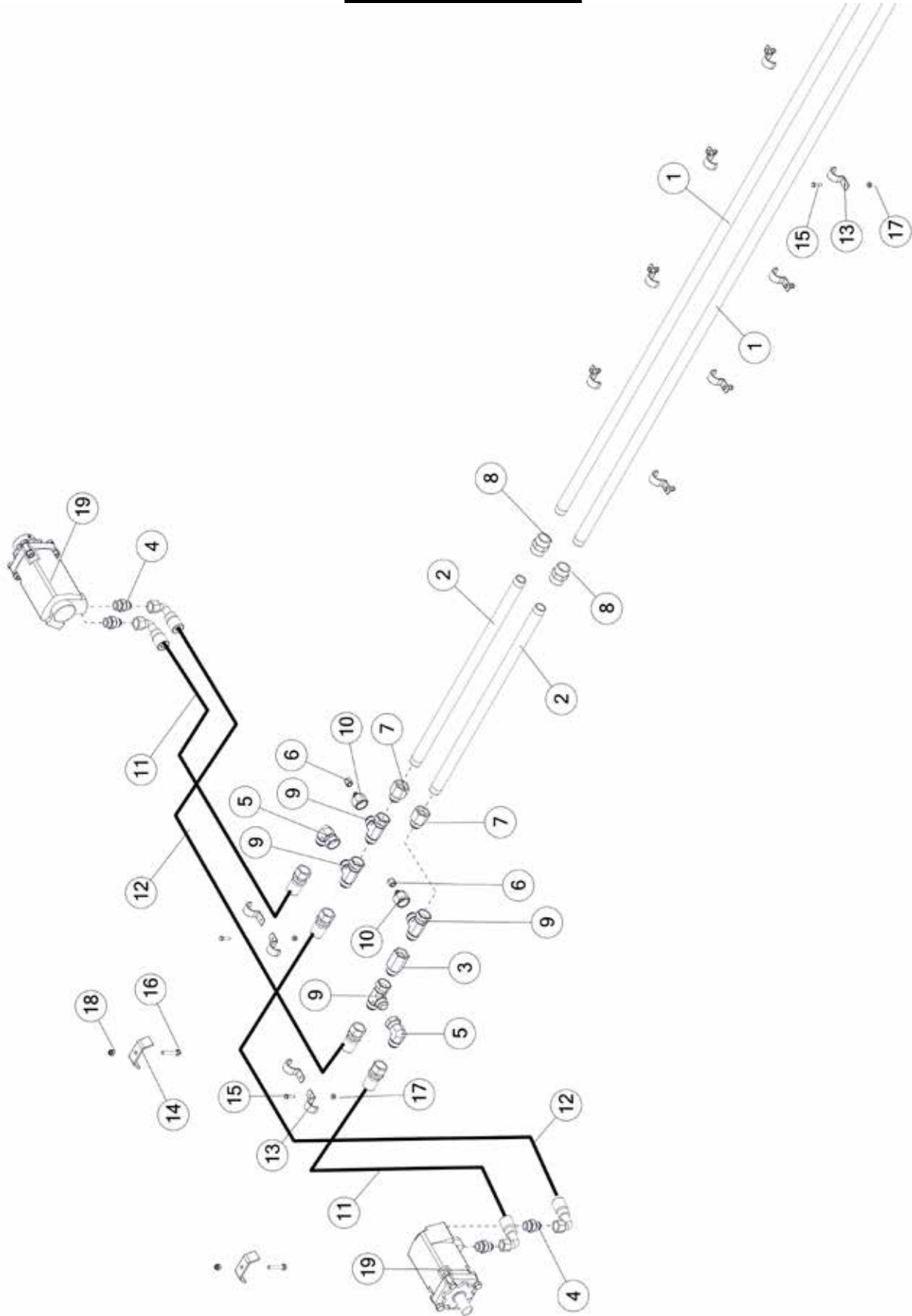


## FIGURE 11

### DRIVE SPROCKET RH

| <u>ITEM</u> | <u>QTY</u> | <u>PART#</u> | <u>DESCRIPTION</u>                 |
|-------------|------------|--------------|------------------------------------|
| 1           | 1          | 82103        | SHIELD, CHAIN CASE RH              |
| 2           | 1          | BBS60        | DRIVEN SPROCKET                    |
| 3           | 1          | BBS61        | DRIVE SPROCKET                     |
| 4           | 1          | 80180        | DRAW LATCH                         |
| 5           | 1          | BBS9         | TIGHTENER BAR                      |
| 6           | 1          | BBS10        | POLY TIGHTENER                     |
| 7           | 1          | 1042 I       | ROLLER CHAIN                       |
| 8           | 1          | FB17         | CONNECTOR LINK                     |
| 9           | 1          | GM410        | EXTENSION SPRING                   |
| 10          | 1          | YBTE08005    | BOLT TURNED EYE, 1/4 X 1           |
| 11          | 1          | YBTE10040    | BOLT TURNED EYE, 5/16 X 4          |
| 12          | 1          | YBHH16080    | BOLT HEX, 1/2 X 2-1/2 G5           |
| 13          | 1          | YBHH16115    | BOLT HEX, 1/2 X 3-1/2 G5           |
| 14          | 2          | YSPP62006    | SCREW PAN #8-32 X 1/2              |
| 15          | 2          | YNHX08005    | NUT HEX, 1/4                       |
| 16          | 1          | YNRL16005    | NUT HEX, REVERSIBLE-SIDE LOCK, 1/2 |
| 17          | 1          | YNFG10005    | NUT FLANGE, 5/16                   |
| 18          | 2          | YNNY62005    | NUT HEX, 8-32 G2                   |
| 19          | 4          | YSKP12010    | SCREW SET, 3/8 X 1/2               |
| 20          | 1          | G23A         | SQUARE KEY, 1/2 X 2                |
| 21          | 1          | YSKP12010    | SQUARE KEY, 5/16 X 1-1/4           |
| 22          | 1          | YPLY08011    | LYNCH PIN, 1/4 X 1-9/16            |

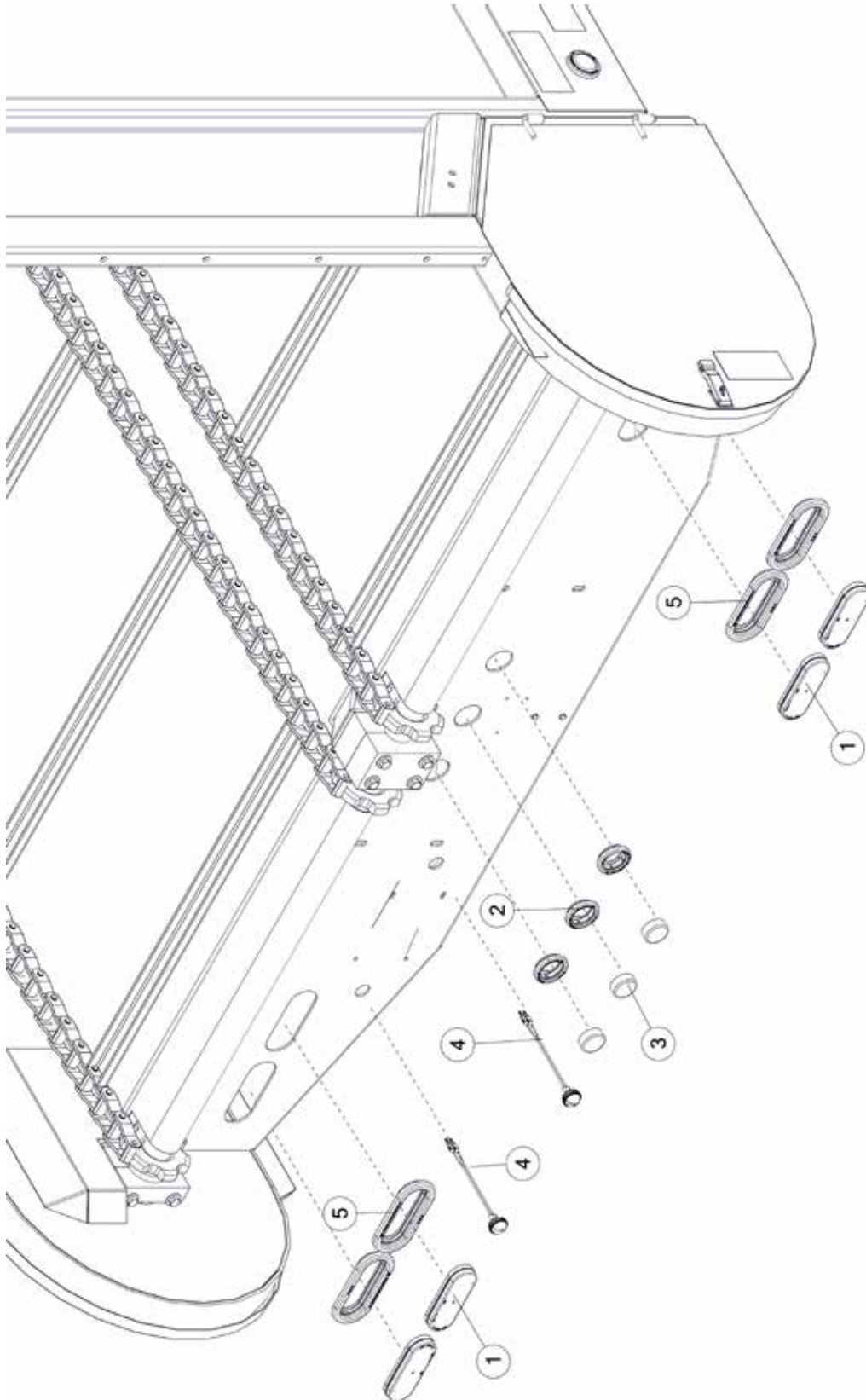
**FIGURE 12**  
**HYDRAULICS**



## FIGURE 12 HYDRAULICS

| <u>ITEM</u> | <u>QTY</u> | <u>PART#</u> | <u>DESCRIPTION</u>                |
|-------------|------------|--------------|-----------------------------------|
| 1           | 1          | BBSTPI02     | HYDRAULIC LINE 1 IN               |
| 2           | 1          | 82699        | HYDRAULIC LINE 1 IN               |
| 3           | 1          | 53829        | CHECK VALVE                       |
| 4           | 4          | SD273        | FITTING CONNCTOR                  |
| 5           | 2          | 8021         | SWIVEL NUT ELBOW                  |
| 6           | 2          | 83114        | FITTING CAP, 6JIC                 |
| 7           | 2          | BBS65        | FITTING STRAIGHT, 16JIC, 16NPT    |
| 8           | 2          | BBS85        | FITTING, PIPE COUPLING            |
| 9           | 4          | CHM182       | FITTING, SWIVEL NUT RUN TEE       |
| 10          | 2          | CHM183       | FITTING, REDUCER                  |
| 11          | 2          | BBSTMS17     | HYDRAULIC HOSE, PRESSURE TO MOTOR |
| 12          | 2          | BBSTMS18     | HYDRAULIC HOSE, MOTOR RETURN      |
| 13          | 12         | BBS86        | PIPE CLAMP                        |
| 14          | 2          | T223         | HOSE BRACKET                      |
| 15          | 10         | YBFB08100    | BOLT FLANGE, 1/4 X 1              |
| 16          | 2          | YBHH12080    | BOLT HEX, 3/8 X 2                 |
| 17          | 10         | YNFG08005    | NUT FLANGE, 1/4                   |
| 18          | 2          | YNFG12006    | NUT FLANGE, 3/8                   |
| 19          | 2          | 33SV73       | HYDRAULIC MOTOR                   |

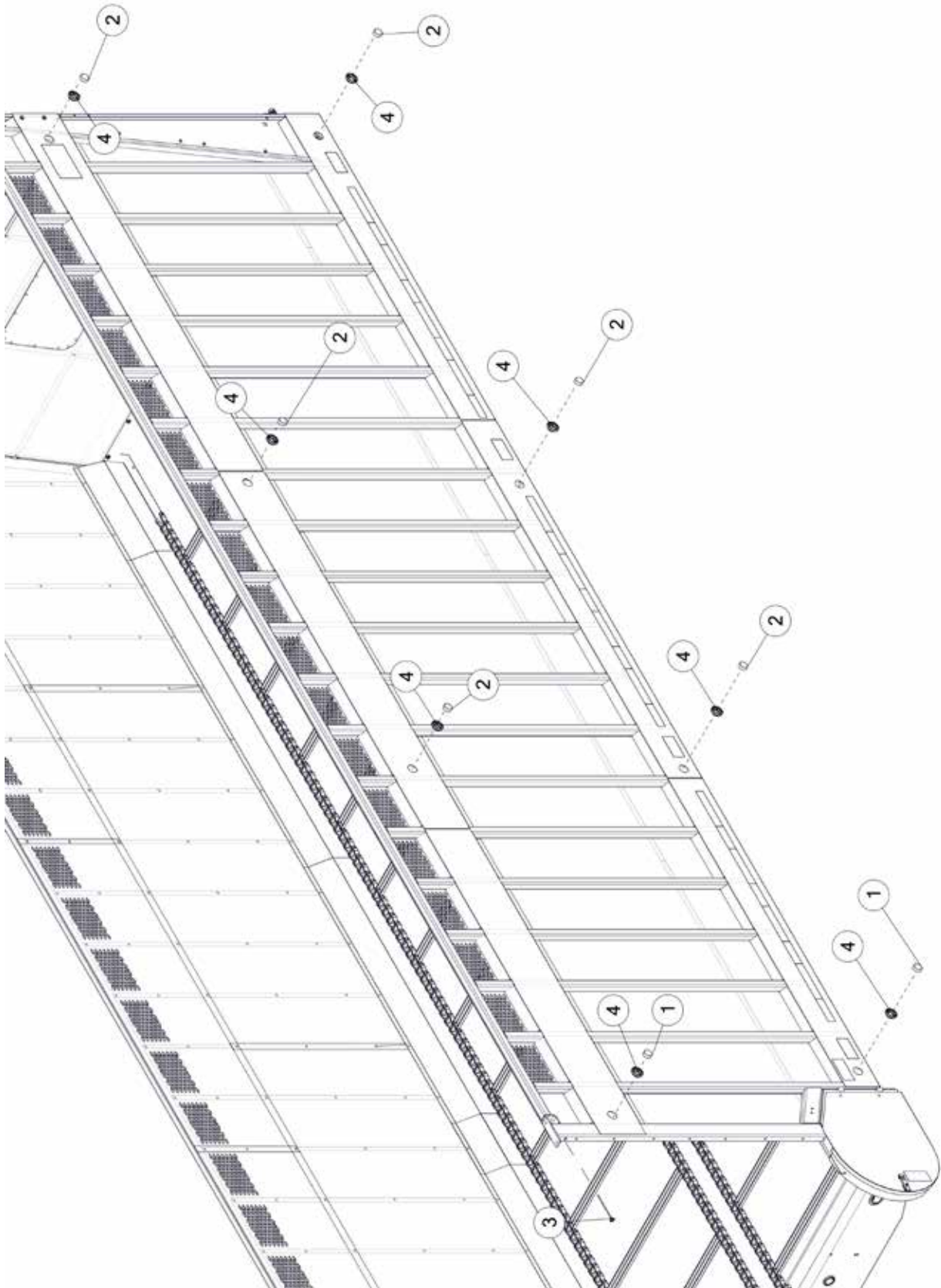
# **FIGURE 13** **TAIL LIGHT & COMPONENTS**



**FIGURE 13**  
**TAIL LIGHT & COMPONENTS**

| <b><u>ITEM</u></b> | <b><u>QTY</u></b> | <b><u>PART#</u></b> | <b><u>DESCRIPTION</u></b> |
|--------------------|-------------------|---------------------|---------------------------|
| 1                  | 4                 | 78671               | OVAL RED LED LIGHT        |
| 2                  | 3                 | BBS91               | ROUND LIGHT GROMMET       |
| 3                  | 3                 | BBS92               | ROUND RED MARKER LIGHT    |
| 4                  | 2                 | BBS98               | LICENSE LIGHT             |
| 5                  | 4                 | S308                | OVAL LIGHT GROMMET        |

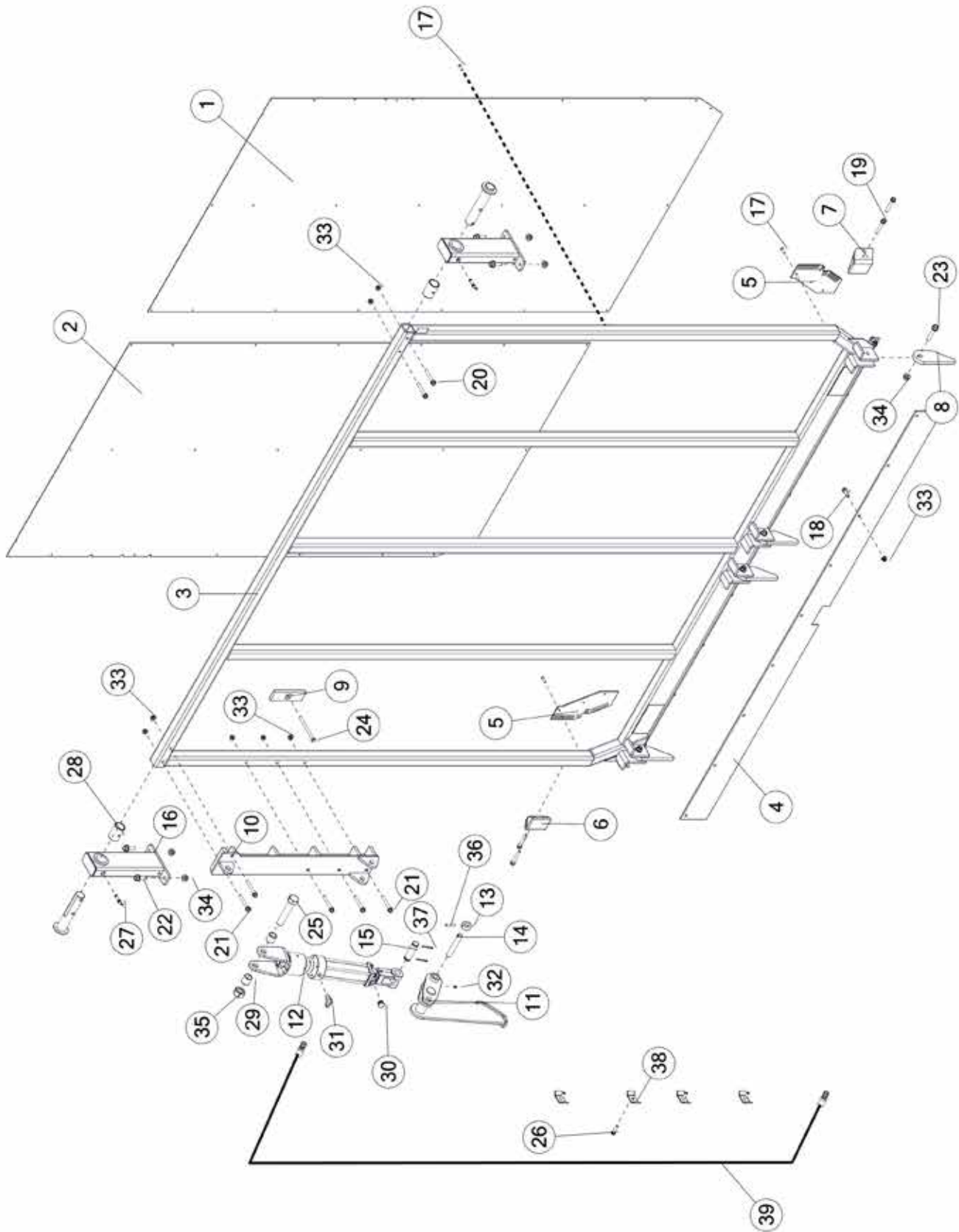
**FIGURE 14**  
**LIGHTS**



## FIGURE 14 LIGHTS

| <u>ITEM</u> | <u>QTY</u> | <u>PART#</u> | <u>DESCRIPTION</u>       |
|-------------|------------|--------------|--------------------------|
| 1           | 2          | BBS92        | ROUND RED MARKER LIGHT   |
| 2           | 12         | BBS93        | ROUND AMBER MARKER LIGHT |
| 3           | 2          | 8620         | ROUND RED LED LIGHT      |
| 4           | 16         | BBS91        | ROUND LIGHT GROMMET      |

**FIGURE 15**  
**BACK DOOR & COMPONENTS**



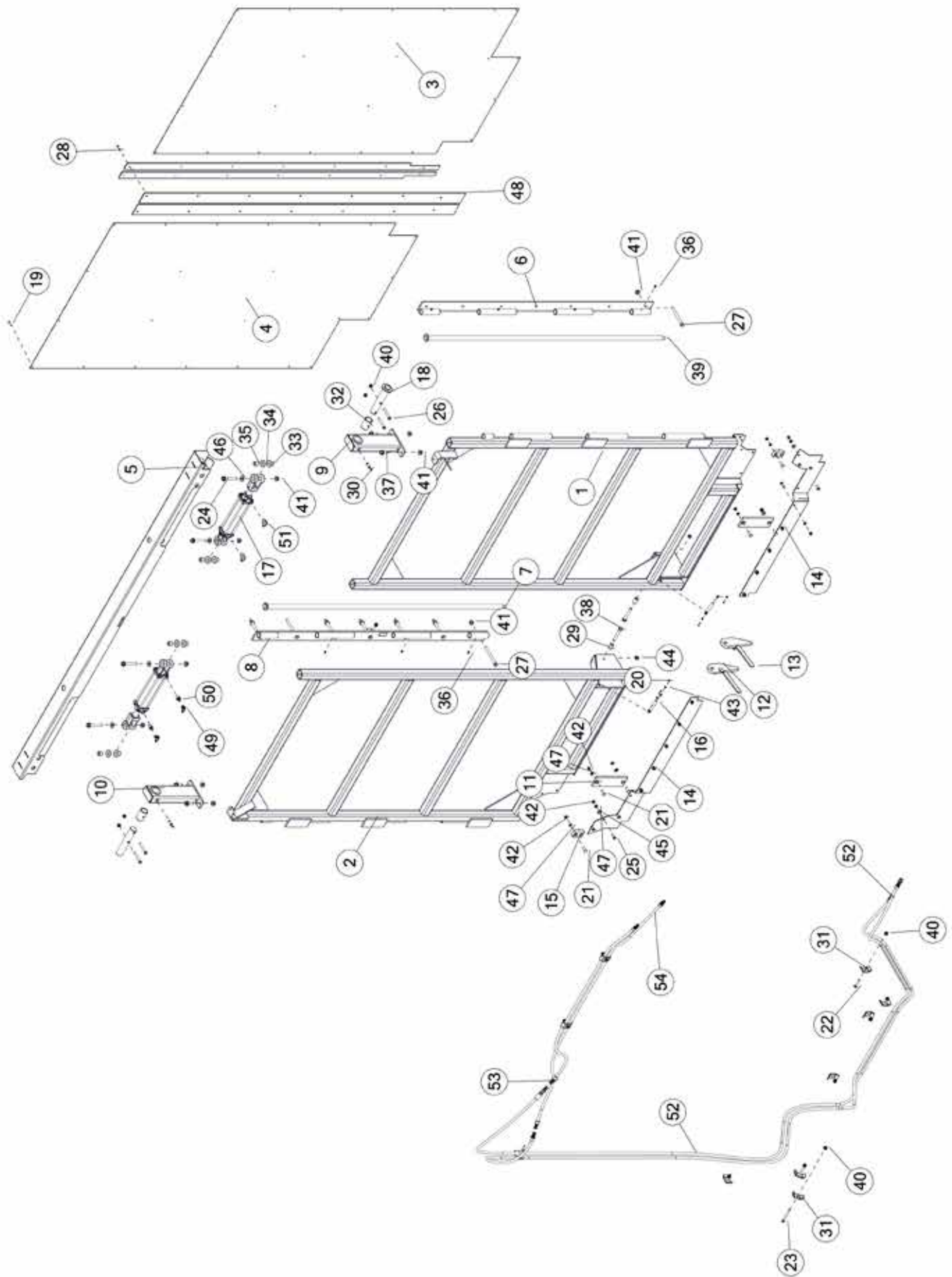


## FIGURE 15

### BACK DOOR & COMPONENTS

| <u>ITEM</u> | <u>QTY</u> | <u>PART#</u> | <u>DESCRIPTION</u>              |
|-------------|------------|--------------|---------------------------------|
| 1           | 1          | 61409        | PANEL DOOR LH                   |
| 2           | 1          | BBST16G06    | PANEL DOOR RH                   |
| 3           | 1          | BBS17        | DOOR                            |
| 4           | 1          | 78295        | DOOR RUBBER, BACK               |
| 5           | 1          | 55902        | CORNER DOOR SEAL                |
| 6           | 1          | 55970        | DOOR STOP LH                    |
| 7           | 1          | 56155        | DOOR STOP RH                    |
| 8           | 4          | BBS67        | LATCH                           |
| 9           | 1          | 0231PL01     | POLY BUMPER                     |
| 10          | 1          | 76428        | HYDRAULIC GATE DELAY, BASE      |
| 11          | 1          | 77291        | PIVOT                           |
| 12          | 1          | 76902        | HYDRAULIC CYLINDER, 2           |
| 13          | 1          | 0231-TU-02   | PIN LOCK                        |
| 14          | 1          | 0231SH02     | PIVOT PIN                       |
| 15          | 1          | T143         | HYDRAULIC CYLINDER PIN          |
| 16          | 2          | BBS21        | BACK STAKE TOP                  |
| 17          | 44         | 1043         | HUCK RIVET                      |
| 18          | 9          | YBFB12125    | BOLT FLANGE, 3/8 X 1-1/4 G5     |
| 19          | 4          | YBFB12250    | BOLT FLANGE, 3/8 X 2-1/2 G5     |
| 20          | 5          | YBFB12275    | BOLT FLANGE, 3/8 X 2-3/4 G5     |
| 21          | 2          | YBFB12300    | BOLT FLANGE, 3/8 X 3 G5         |
| 22          | 4          | YBFB16150    | BOLT FLANGE, 1/2 X 1-1/2 G5     |
| 23          | 4          | YBFB16250    | BOLT FLANGE, 1/2 X 2-1/2 G5     |
| 24          | 1          | YBHH12200    | BOLT HEX, 3/8 X 5 G5            |
| 25          | 1          | YBHH32020    | BOLT HEX, 1 X 5 G5              |
| 26          | 1          | YSHW10020    | THREAD CUTTING SCREW            |
| 27          | 2          | 16SV26       | PIPE GREASE ZERK                |
| 28          | 2          | 56244        | DRIVE SHAFT BUSHING             |
| 29          | 2          | 77434        | SPACER BUSHING                  |
| 30          | 1          | BFR70        | VENT PLUG, 3/8                  |
| 31          | 1          | CHM164       | MALE ELBOW 37° / NPTF 6-6 CTX-S |
| 32          | 1          | G89          | STRAIGHT ZERK, 1/4-28 X 90      |
| 33          | 16         | YNFG12006    | NUT FLANGE, 3/8                 |
| 34          | 8          | YNFG16003    | NUT FLANGE, 1/2                 |
| 35          | 1          | YNTL32005    | NUT HEX, 1                      |
| 36          | 1          | YPEX08015    | EXPANSION PIN, 1/4 X 1-3/4      |
| 37          | 2          | YPCT05010    | COTTER PIN, 5/32 X 1-1/2        |
| 38          | 4          | 23N67        | HOSE BRACKET, FRONT             |
| 39          | 1          | 78689        | HYDRAULIC HOSE 6 X 230          |

# FIGURE 16 OPTIONAL BARN DOORS

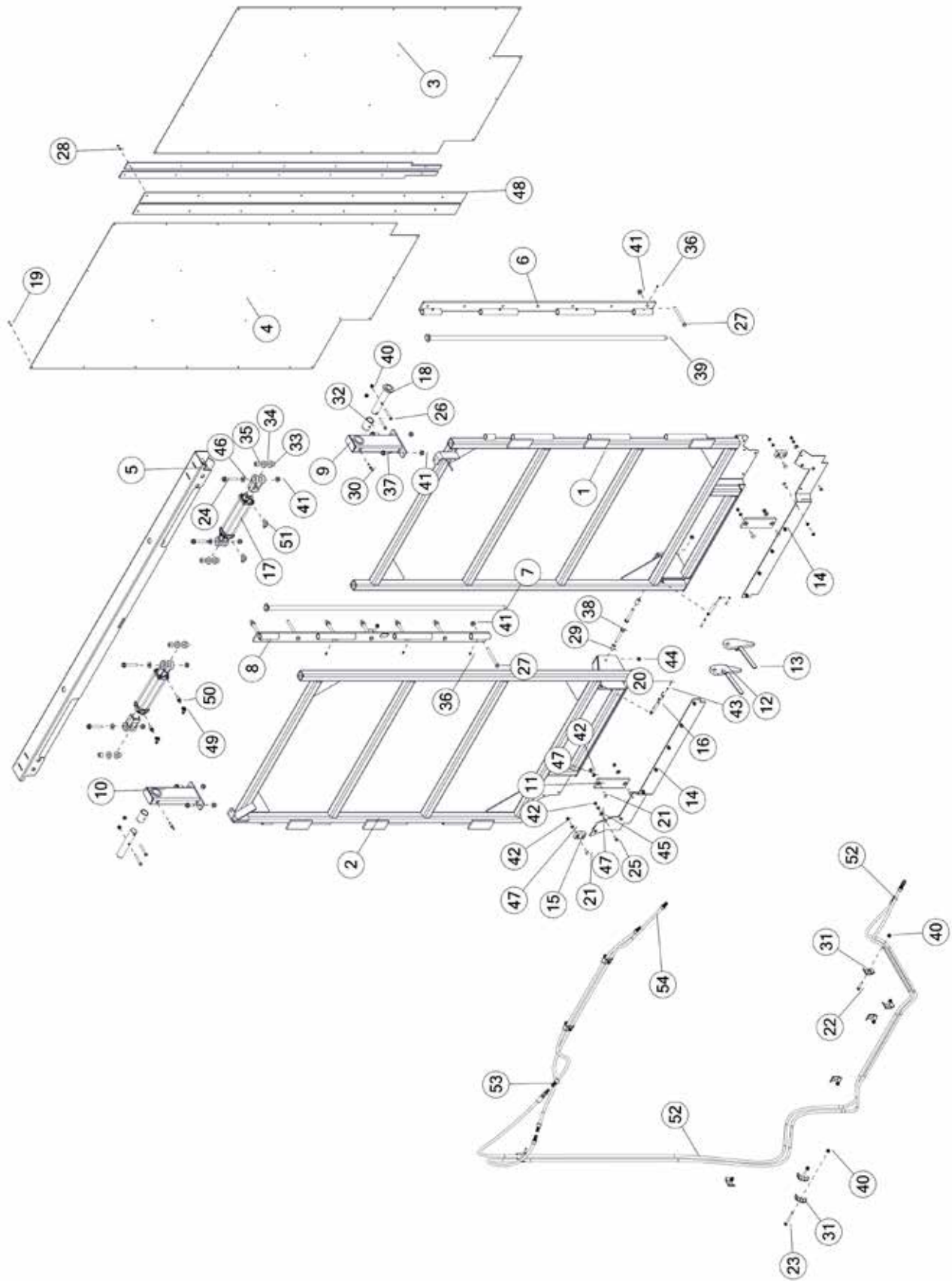


## FIGURE 16

### OPTIONAL BARN DOORS

| <u>ITEM</u> | <u>QTY</u> | <u>PART#</u> | <u>DESCRIPTION</u>                        |
|-------------|------------|--------------|---|
| 1           | 1          | 82444        | DOOR RH                                   |
| 2           | 1          | 82451        | DOOR LH                                   |
| 3           | 1          | 022716G01    | PANEL DOOR RH                             |
| 4           | 1          | 66286        | PANEL DOOR LH                             |
| 5           | 1          | 80317        | CHANNEL, TOP                              |
| 6           | 1          | 82438        | HINGE                                     |
| 7           | 1          | 82449        | DOOR HINGE PIN                            |
| 8           | 1          | 82438        | HINGE                                     |
| 9           | 1          | BBS20        | STAKE TOP, BACK RH                        |
| 10          | 1          | BBS21        | STAKE TOP, BACK LH                        |
| 11          | 2          | 0227PL01     | POLY BUMPER                               |
| 12          | 1          | 0227WE07     | LATCH LH                                  |
| 13          | 1          | 0227WE08     | LATCH RH                                  |
| 14          | 2          | 0227RU01     | DOOR SEAL BOTTOM                          |
| 15          | 2          | 0227PL02     | BARN DOOR FILLER BLOCK                    |
| 16          | 2          | SD190        | GAS STRUT                                 |
| 17          | 2          | 85176        | CYLINDER 2 X 8                            |
| 18          | 2          | BBS64        | DOOR HINGE PIN                            |
| 19          | 34         | 1043         | HUCK RIVET                                |
| 20          | 4          | 1135         | SCREW MACHINE, PHILLIPS HEAD, #8-32 X .75 |
| 21          | 8          | YBCR12020    | BOLT CARRIAGE, 3/8 X 1-1/4 G5             |
| 22          | 5          | YBFB10200    | BOLT FLANGE, 5/16 X 2 G5                  |
| 23          | 2          | YBFB10350    | BOLT FLANGE, 5/16 X 3-1/2 G8              |
| 24          | 4          | YBFB16350    | BOLT FLANGE, 1/2 X 3-1/2 G5               |
| 25          | 16         | YBHH12010    | BOLT HEX, 3/8 X 1 G5                      |
| 26          | 4          | YBHH12120    | BOLT HEX, 3/8 X 3 G5                      |
| 27          | 14         | YBHH16160    | BOLT HEX, 1/2 X 5-1/2 G5                  |
| 28          | 14         | YSDR66007    | SCREW SELF DRILLING, 12 X 1-1/4           |
| 29          | 2          | 0227PI02     | LATCH SPACER                              |
| 30          | 2          | 16SV26       | PIPE GREASE ZERK                          |
| 31          | 8          | 23N67        | HOSE BRACKET, FRONT                       |
| 32          | 2          | 56244        | DRIVE SHAFT BUSHING                       |
| 33          | 4          | 82809        | HYDRAULIC BARN DOOR BUSHING               |
| 34          | 4          | 84589        | CYLINDER SPACER                           |
| 35          | 4          | BFR282       | BELL CRANK BUSHING                        |
| 36          | 4          | MS26         | SHORT SHANK ZERK-STRAIGHT                 |
| 37          | 4          | YBFB16150    | BOLT FLANGE, 1/2 X 1-1/2 G5               |
| 38          | 2          | YBHH16115    | BOLT HEX, 1/2 X 3-1/2 G5                  |
| 39          | 1          | 82449        | DOOR HINGE PIN                            |

# FIGURE 16 OPTIONAL BARN DOORS

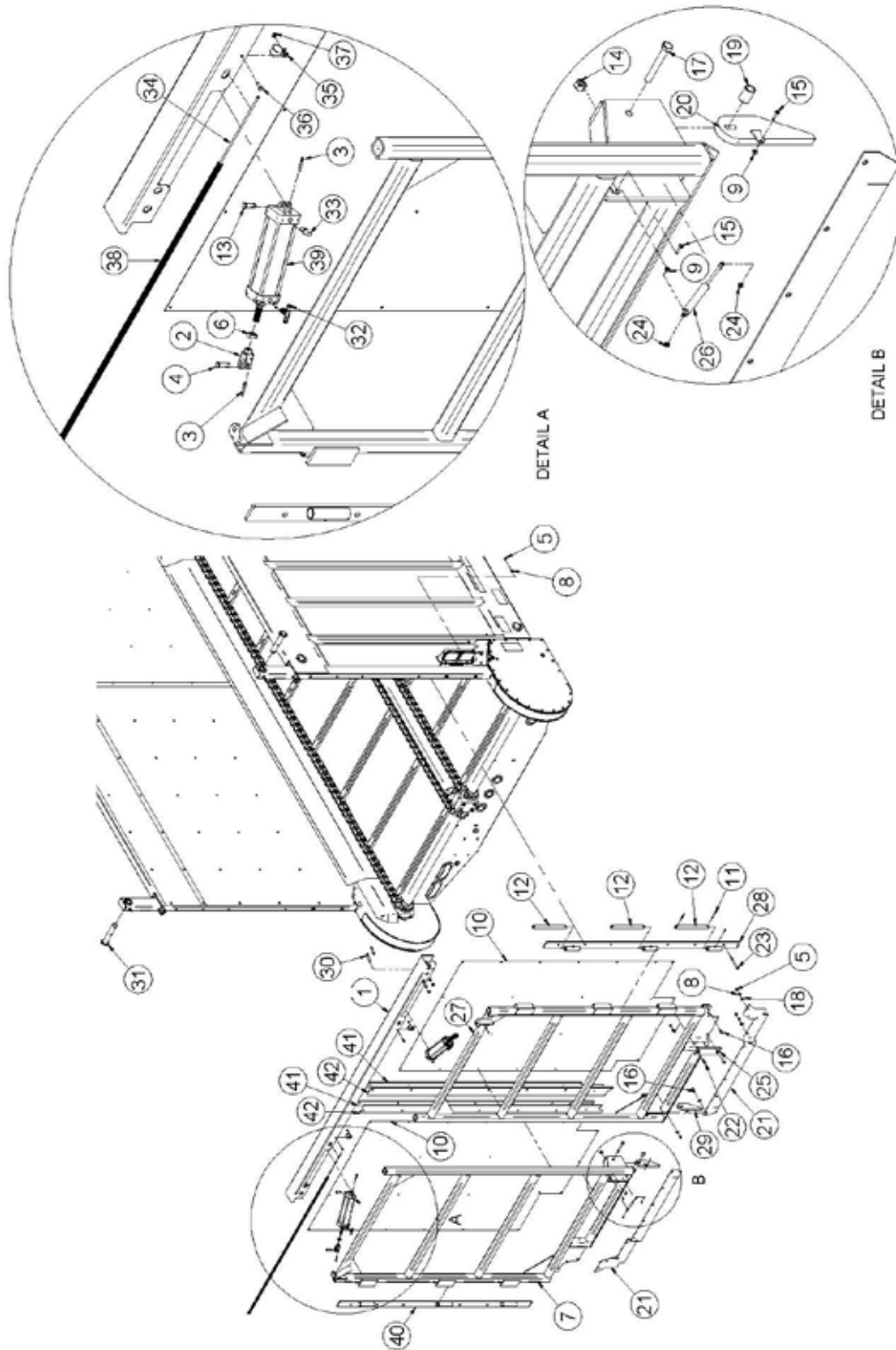


## FIGURE 16

### OPTIONAL BARN DOORS

| <u>ITEM</u> | <u>QTY</u> | <u>PART#</u> | <u>DESCRIPTION</u>                  |
|-------------|------------|--------------|-------------------------------------|
| 40          | 4          | YNFG12006    | NUT FLANGE, 3/8                     |
| 41          | 14         | YNFG16005    | NUT FLANGE, 1/2                     |
| 42          | 22         | YNHX12005    | NUT HEX, 3/8                        |
| 43          | 4          | YNHX62005    | NUT HEX, MACHINE, #8-32             |
| 44          | 2          | YNL16005     | NUT HEX, 1/2                        |
| 45          | 22         | YWFL12005    | WASHER FLAT, 3/8                    |
| 46          | 4          | YWFL16005    | WASHER FLAT, 1/2                    |
| 47          | 22         | YWLO12005    | WASHER LOCK, 3/8                    |
| 48          | 2          | 0227RU02     | DOOR SEAL                           |
| 49          | 2          | 58102        | FITTING, 4 S6X-S                    |
| 50          | 1          | 58124        | FITTING, ST, 04JIC , 06NPT          |
| 51          | 2          | 58444        | ELBOW MALE, 37 DEG / NPTF 4-6 CTX-S |
| 52          | 2          | 85154        | HYDRAULIC HOSE 4 X 224              |
| 53          | 1          | 85174        | HYDRAULIC HOSE 4 X 58               |
| 54          | 1          | 85189        | HYDRAULIC HOSE 4 X 80               |

# FIGURE 17 OPTIONAL AIR BARN DOORS



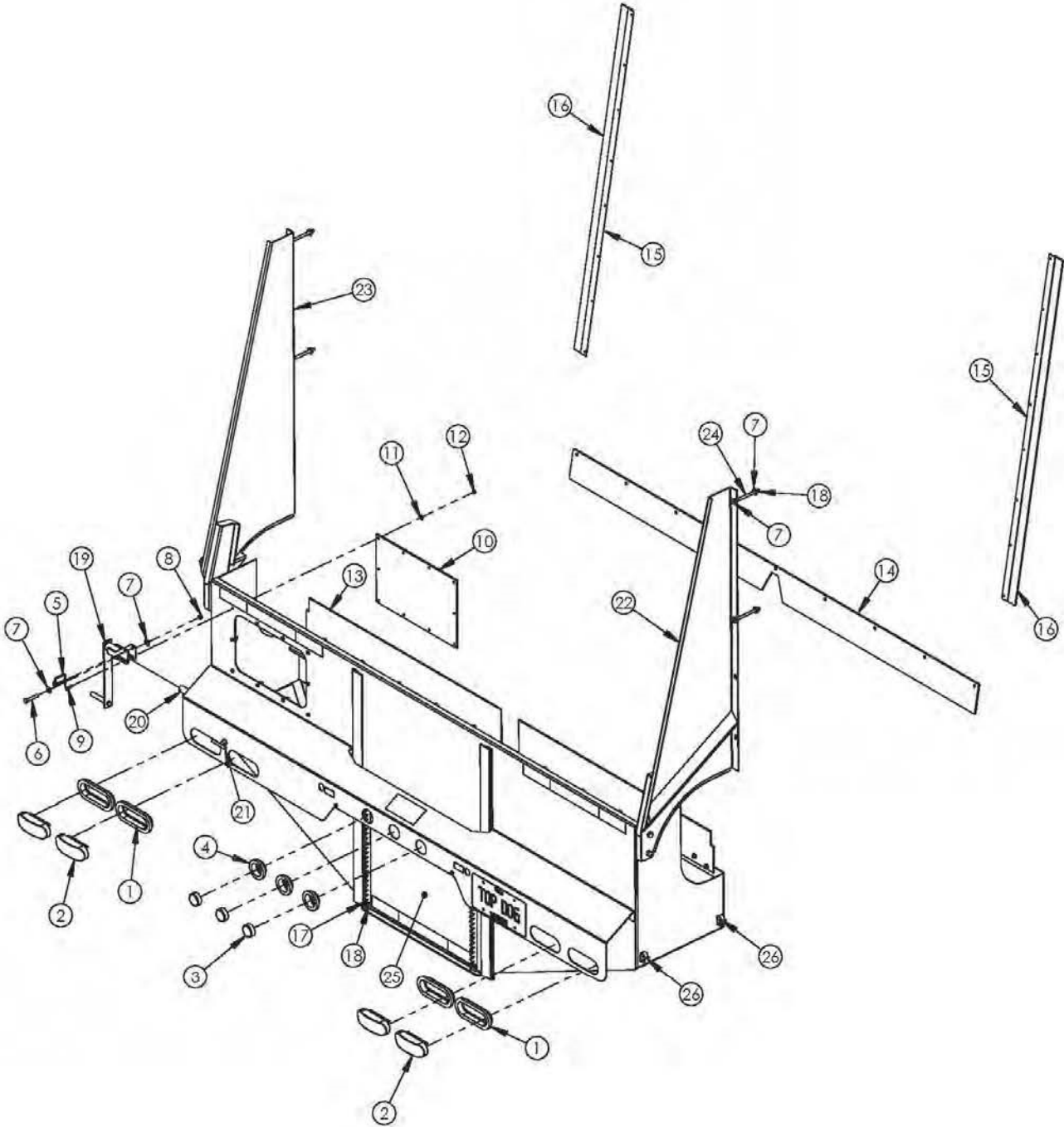
# FIGURE 17

## OPTIONAL AIR BARN DOORS

| <u>ITEM</u> | <u>QTY</u> | <u>PART#</u> | <u>DESCRIPTION</u>                         |
|-------------|------------|--------------|--|
| 1           | 1          | 0227WE01     | CHANNEL, TOP                               |
| 2           | 2          | 8542         | CLEVIS                                     |
| 3           | 2          | YPCT05005    | COTTER PIN, 5/32 X 1                       |
| 4           | 2          | 8544         | CLEVIS PIN, 1/2 X 1-1/2                    |
| *           | 1          | 56264        | CLEVIS ASSEMBLY (INCLUDES ITEM # 2, 3 & 4) |
| 5           | 2          | 8543         | CLEVIS PIN, 1/2 X 1-3/8                    |
| 6           | 2          | YNJM20010    | NUT HEX, JAM, 5/8                          |
| 7           | 1          | 0227WE04     | DOOR LH                                    |
| 8           | 12         | YWLO12005    | LOCK WASHER, 3/8                           |
| 9           | 2          | YNHX62005    | NUT HEX, MACHINE, #8-32                    |
| 10          | 1          | 022716G01    | PANEL DOOR RH                              |
| *           | 1          | 66286        | PANEL DOOR LH                              |
| 11          | 12         | YPEX08015    | EXPANSION PIN, 1/4 X 1 3/4                 |
| 12          | 6          | 0227SH01     | HINGE PIN                                  |
| 13          | 34         | YNHX12005    | NUT HEX, 3/8                               |
| 14          | 2          | YNFG16005    | NUT FLANGE, 1/2 GG                         |
| 15          | 2          | 1135         | SCREW MACHINE, PHILLIPS HEAD, #8-32 x .75  |
| 16          | 16         | YBHH12010    | SCREW HEX CAP, 3/8 X 1 G5                  |
| 17          | 2          | YBHH16115    | BOLT HEX, 1/2 X 3-1/2 G5                   |
| 18          | 26         | YWFL12005    | WASHER FLAT , 3/8 G5                       |
| 19          | 2          | 0227PI02     | LATCH SPACER                               |
| 20          | 1          | 0227WE07     | LATCH LH                                   |
| 21          | 2          | 0227RU01     | DOOR SEAL, BOTTOM                          |
| 22          | 4          | YBHH12035    | BOLT HEX, 3/8 X 1-1/4 G5                   |
| 23          | 12         | YBHH12200    | BOLT HEX, 3/8 X 5 G5                       |
| 24          | 2          | YNNY62005    | NUT HEX, NYLON, INSERT LOCKNUT, #8-32      |
| 25          | 2          | 0227PL01     | POLY BUMPER                                |
| 26          | 2          | SD190        | GAS STRUT                                  |
| 27          | 1          | 0227WE05     | DOOR RH                                    |
| 28          | 1          | 0227WE03     | STAKE HINGE RH                             |
| 29          | 1          | 0227WE08     | LATCH RH                                   |
| 30          | 4          | YBHH12110    | BOLT HEX, 3/8 X 2-3/4 G5                   |
| 31          | 2          | BBS64        | DOOR HINGE PIN                             |
| 32          | 2          | GD26         | MALE BRANCH TEE, 1/4                       |
| 33          | 2          | GD7          | VENT PLUG, 1/4 (CONE SHAPED)               |
| 34          | 1          | 0227MS03     | CYLINDER TIE AIR LINE                      |
| 35          | 2          | HGV72        | WIRE CLAMP, #12                            |
| 36          | 2          | YBHH08100    | BOLT HEX, 1/4 X 3/4 G5                     |
| 37          | 2          | YNHX08005    | NUT HEX, TOP LOCK, 1/4                     |
| 38          | 1          | 0227MS02     | WIRE LOOM                                  |
| 39          | 2          | GD49         | AIR CYLINDER, 2-1/2                        |
| 40          | 1          | 0227WE02     | STAKE HINGE LH                             |
| 41          | 2          | 02273G05     | DOOR SEAL HOLD DOWN                        |
| 42          | 2          | 0227RU02     | DOOR SEAL                                  |

**\*MEANS NOT SHOWN**

# **FIGURE 18** **GRAIN HOPPER KIT**



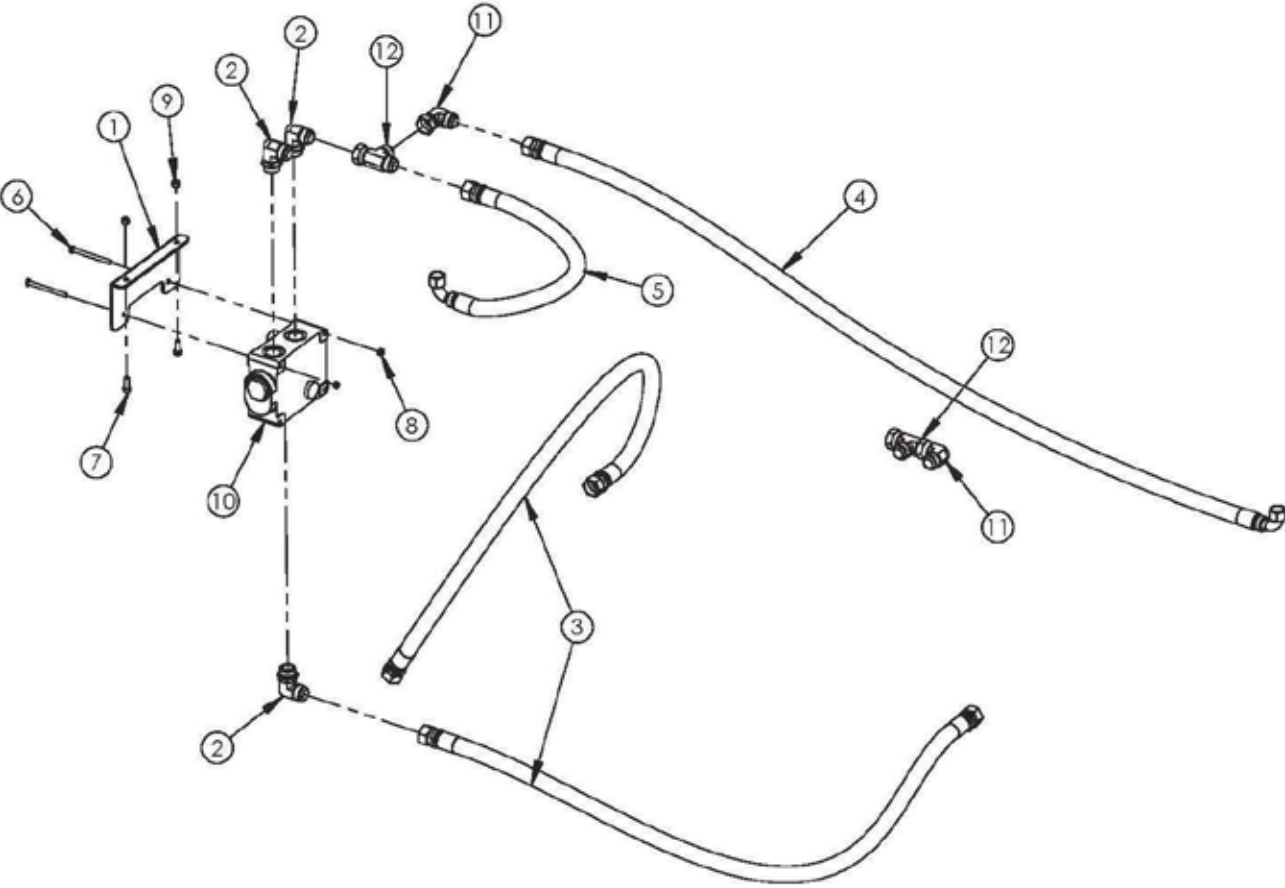


## FIGURE 18

### GRAIN HOPPER KIT

| <u>ITEM</u> | <u>QTY</u> | <u>PART#</u> | <u>DESCRIPTION</u>          |
|-------------|------------|--------------|-----------------------------|
| 1           | 4          | S308         | OVAL LIGHT GROMMET          |
| 2           | 4          | S310         | RED OVAL LIGHT              |
| 3           | 3          | BBS92        | RED ROUND MARKER LIGHT      |
| 4           | 3          | BBS91        | ROUND LIGHT GROMMET         |
| 5           | 1          | DWM324       | SNAP PIN                    |
| 6           | 1          | YBHH12100    | BOLT HEX, 3/8 X 2-1/4 G5    |
| 7           | 9          | YWFL12005    | WASHER FLAT, 3/8            |
| 8           | 1          | YNTL12005    | NUT HEX, TOP LOCK, 3/8      |
| 9           | 10         | YBHH08010    | BOLT HEX, 1/4 X 1 G5        |
| 10          | 1          | GH7          | HOPPER WINDOW               |
| 11          | 10         | YWFL08005    | WASHER FLAT, 1/4            |
| 12          | 10         | YNNY08005    | NUT HEX, NYLON LOCKNUT, 1/4 |
| 13          | 1          | 0226RU02     | HOPPER SEAL, UPPER          |
| 14          | 1          | BBS68        | DOOR RUBBER                 |
| 15          | 2          | 0226MS01     | BRUSH HOLDER, 1-1/4         |
| 16          | 2          | 0226MS04     | BRUSH LONG, 2               |
| 17          | 2          | YBHH12130    | BOLT HEX, 3/8 X 3/4 G2      |
| 18          | 4          | YNHX12005    | NUT HEX, 3/8                |
| 19          | 1          | GH8          | FOLDING CRANK               |
| 20          | 1          | 0226WE04     | DOOR DRIVE, BACK            |
| 21          | 1          | GH11         | DRAG BLOCK TIGHTENER        |
| 22          | 1          | 0226WE02     | SIDE EXTENSION RH           |
| 23          | 1          | 0226WE03     | SIDE EXTENSION LH           |
| 24          | 4          | YBHH12200    | BOLT HEX, 3/8 X 5 G5        |
| 25          | 1          | GH4          | HOPPER DOOR, BACK           |
| 26          | 2          | HGV162       | RUBBER WIRE HOLDER, 1/2     |

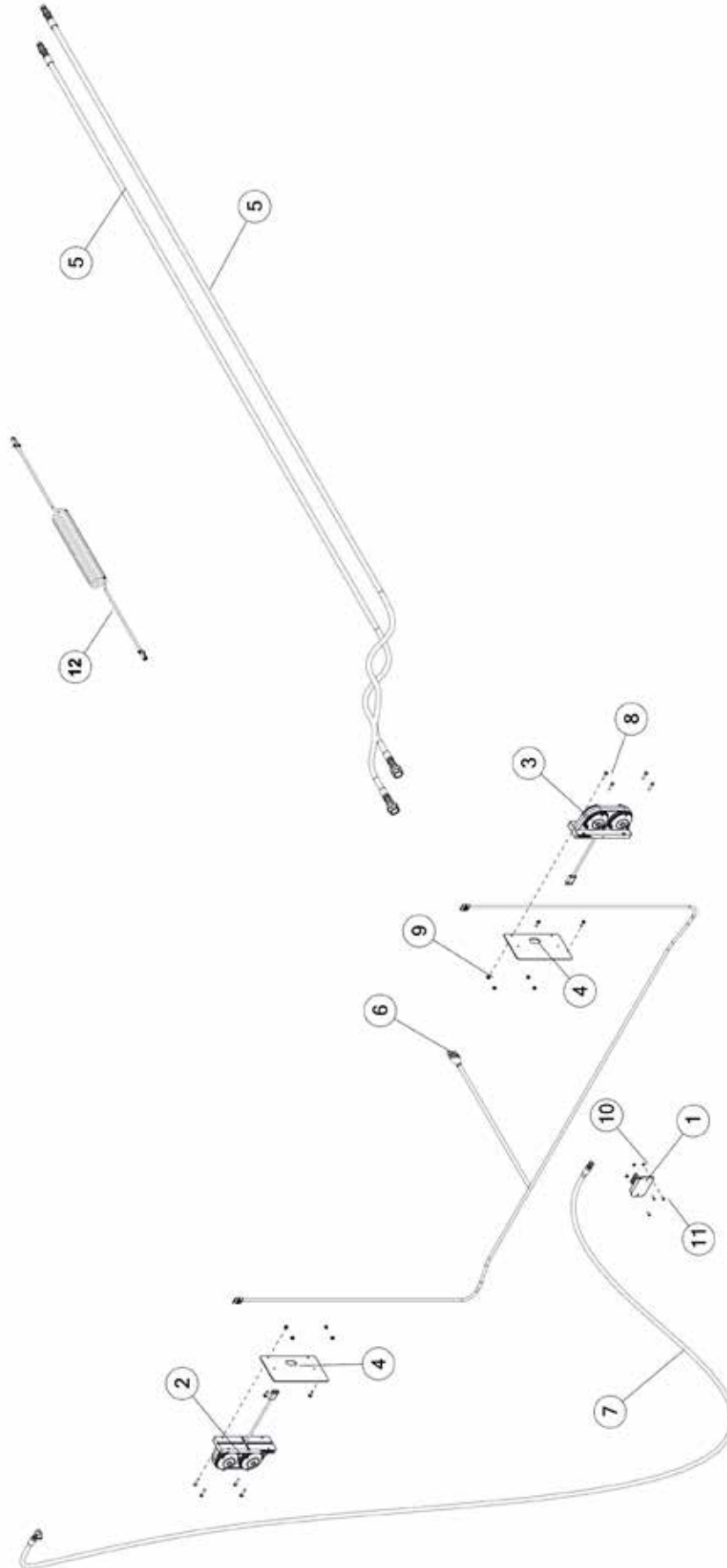
**FIGURE 19**  
**HYDRAULIC FLOW CONTROL**



**FIGURE 19**  
**HYDRAULIC FLOW CONTROL**

| <u>ITEM</u> | <u>QTY</u> | <u>PART#</u> | <u>DESCRIPTION</u>                 |
|-------------|------------|--------------|------------------------------------|
| 1           | 1          | 02266G02     | FLOW CONTROL MOUNT                 |
| 2           | 3          | BBS52        | ELBOW, STRAIGHT THREAD             |
| 3           | 2          | BBSTMS24     | HYD HOSE, MOTOR FLOW CONTROL, (65) |
| 4           | 1          | BBSTMS25     | HYD HOSE, FLOW TO MOTOR, LONG      |
| 5           | 1          | BBSTMS26     | HYD HOSE, FLOW TO MOTOR, SHORT     |
| 6           | 2          | YBHH10112    | BOLT HEX, 5/16 X 3-3/4 G5          |
| 7           | 2          | YBHH12010    | BOLT HEX, 3/8 X 1 G5               |
| 8           | 2          | YNHX10005    | NUT HEX, 5/16                      |
| 9           | 2          | YNNY12005    | NUT HEX, NYLON LOCKNUT, 3/8        |
| 10          | 1          | BBS51        | FLOW CONTROL                       |
| 11          | 2          | 8021         | SWIVEL NUT ELBOW                   |
| 12          | 2          | CHM182       | SWIVEL NUT RUN TEE                 |

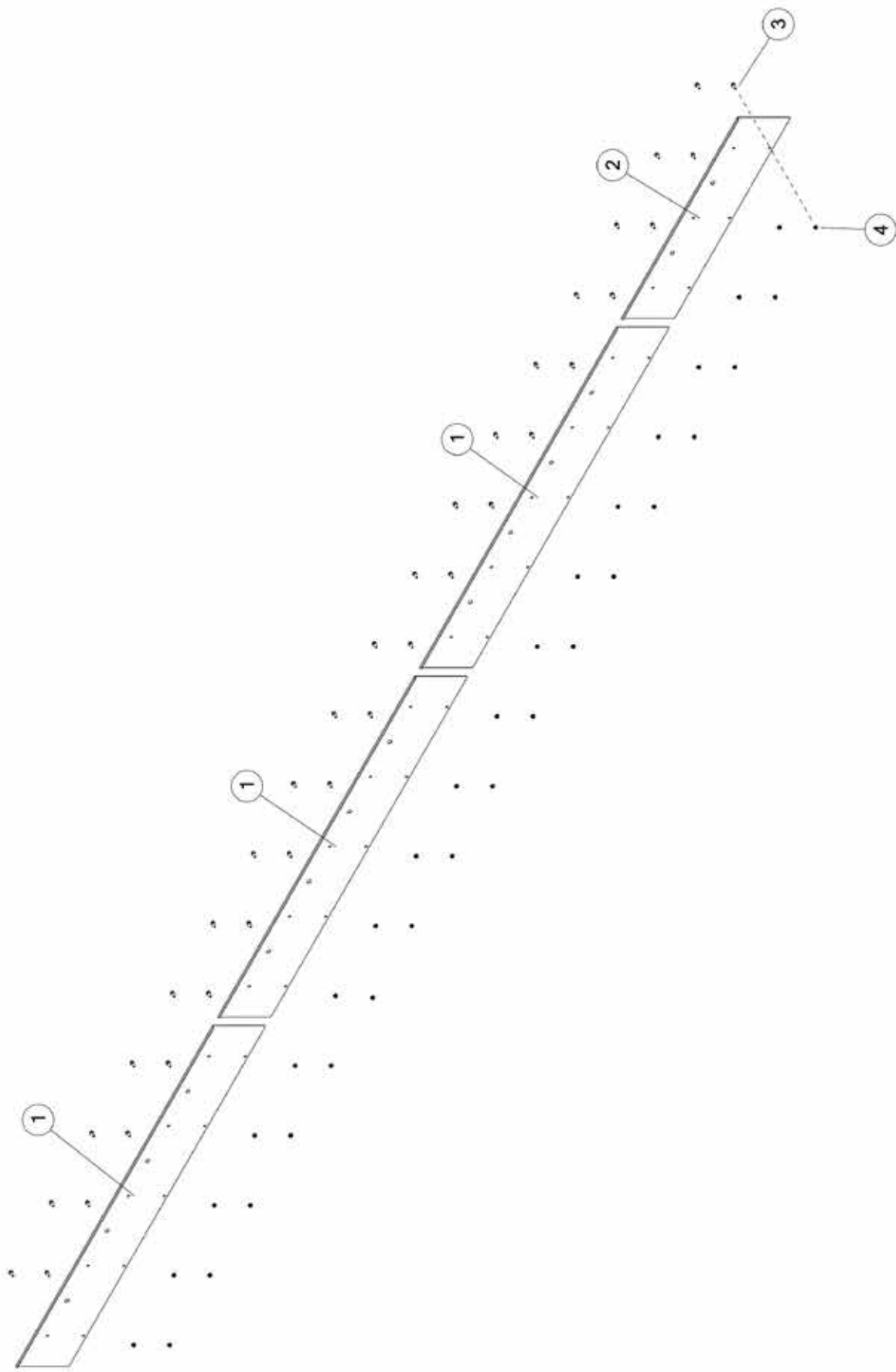
# FIGURE 20 CHASSIS MOUNT KIT



**FIGURE 20**  
**CHASSIS MOUNT KIT**

| <b><u>ITEM</u></b> | <b><u>QTY</u></b> | <b><u>PART#</u></b> | <b><u>DESCRIPTION</u></b>   |
|--------------------|-------------------|---------------------|-----------------------------|
| 1                  | 1                 | 69908               | CONTROL BLINKER MODULE      |
| 2                  | 1                 | 77923               | TAIL LIGHT LH               |
| 3                  | 1                 | 77924               | TAIL LIGHT RH               |
| 4                  | 2                 | 86040               | LIGHT BRACKET               |
| 5                  | 2                 | 73578               | HYDRAULIC HOSE 8 X 171      |
| 6                  | 1                 | 78360               | BACK LIGHT HARNESS          |
| 7                  | 1                 | 78689               | HYDRAULIC HOSE 6 X 230      |
| 8                  | 8                 | YBHH08035           | BOLT HEX, 1/4 X 1-1/4 G5    |
| 9                  | 8                 | YNFG08010           | NUT FLANGE, 1/4             |
| 10                 | 3                 | YNNY64005           | NUT HEX                     |
| 11                 | 3                 | YSPN64005           | SCREW PAN HEAD, 10-24 X 5/8 |
| 12                 | 1                 | TLPC7               | TRANSPORT LIGHT CORD 7 PIN  |

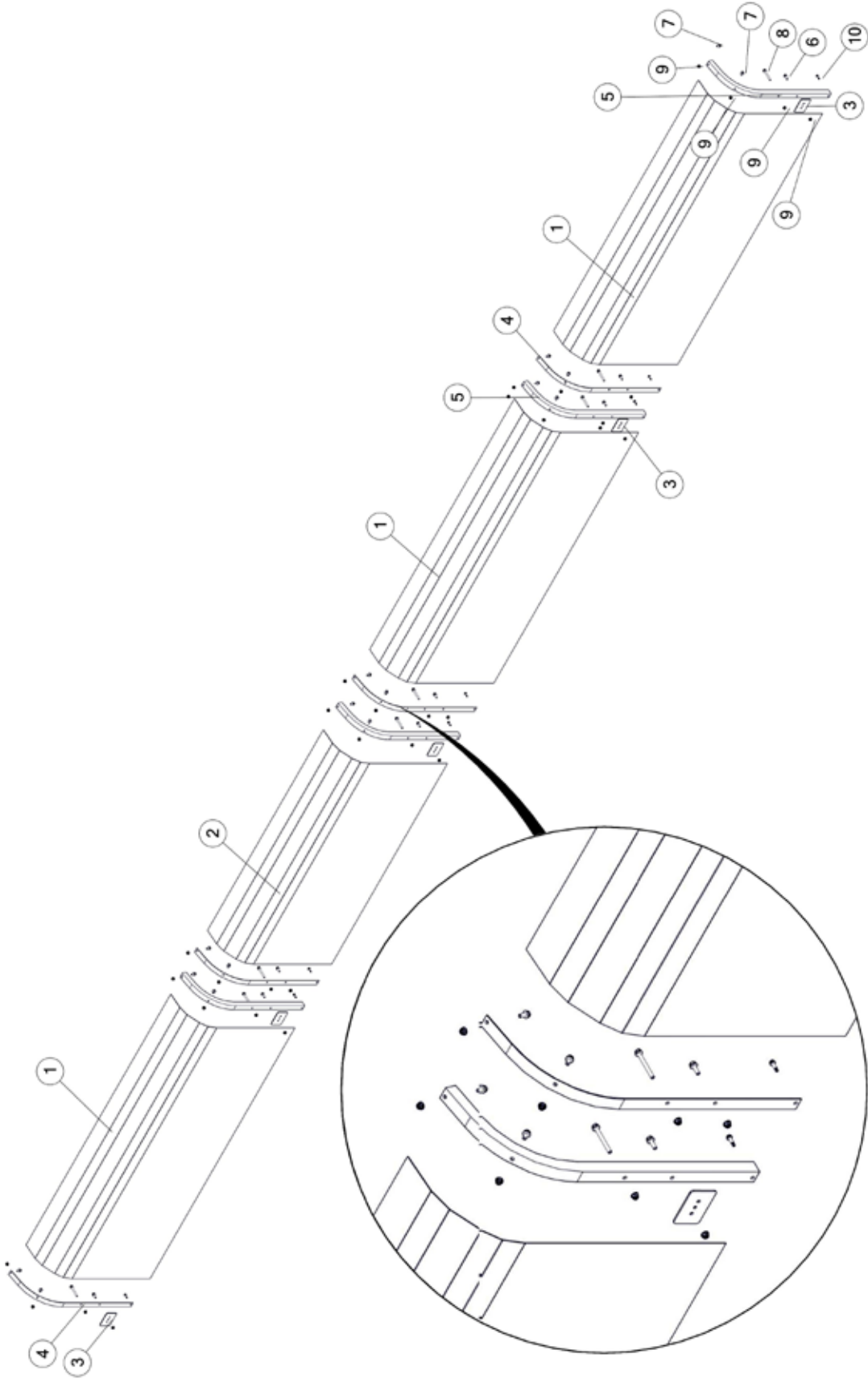
**FIGURE 21**  
**SCREEN FILLER KIT**



**FIGURE 21**  
**SCREEN FILLER KIT**

| <b><u>ITEM</u></b> | <b><u>QTY</u></b> | <b><u>PART#</u></b> | <b><u>DESCRIPTION</u></b>  |
|--------------------|-------------------|---------------------|----------------------------|
| 1                  | 3                 | 82466               | SCREEN COVER, BACK         |
| 2                  | 1                 | 82903               | SCREEN COVER, BACK         |
| 3                  | 36                | YBFB10075           | BOLT FLANGE, 5/16 X 3/4 G5 |
| 4                  | 36                | YNFG10005           | NUT FLANGE, 5/16           |

**FIGURE 22**  
**ROOF HOOD**

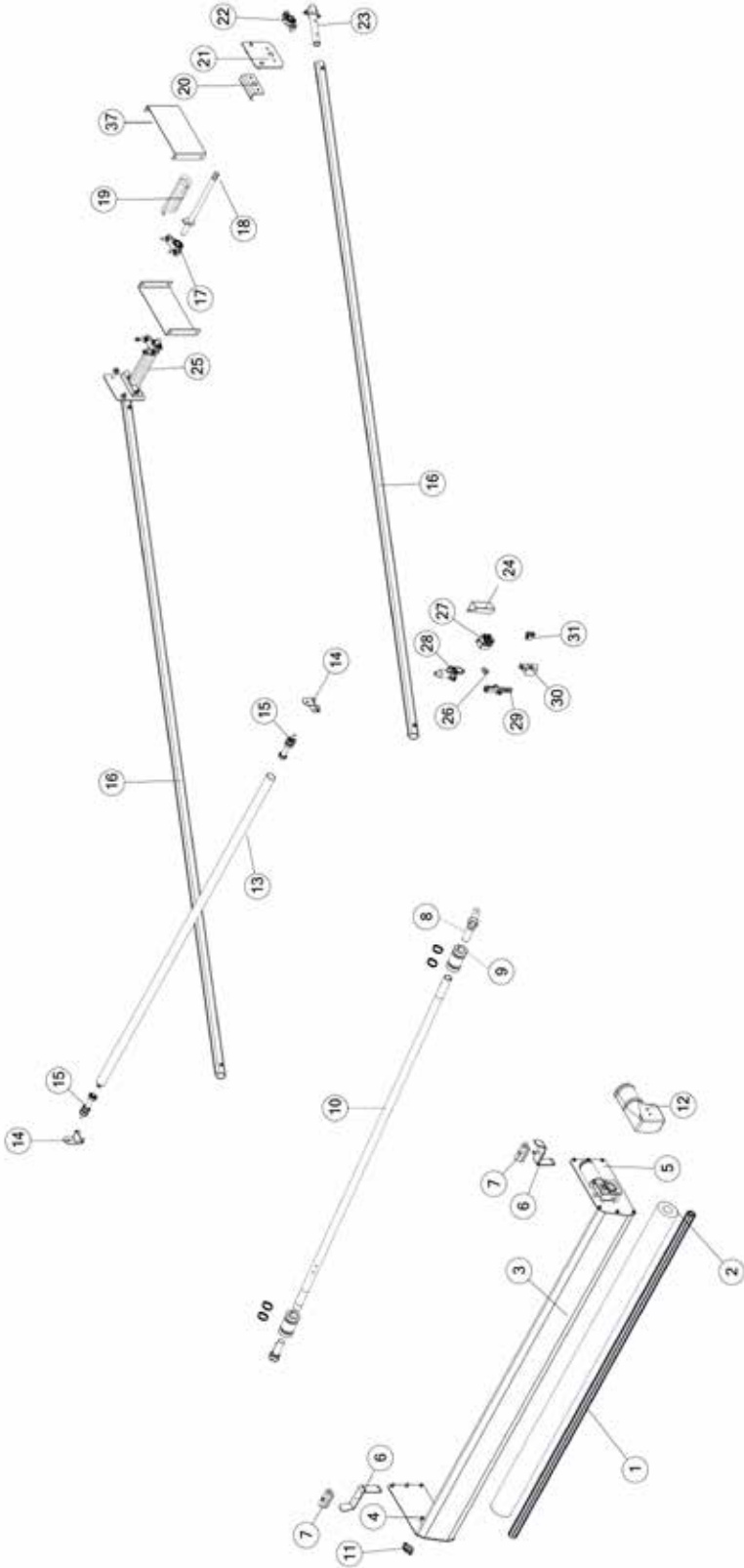




## FIGURE 22 ROOF HOOD

| <u>ITEM</u> | <u>QTY</u> | <u>PART#</u> | <u>DESCRIPTION</u>                            |
|-------------|------------|--------------|---|
| 1           | 3          | 82907        | ROOF EDGE RADIUS                              |
| 2           | 1          | 82964        | ROOF EDGE RADIUS                              |
| 3           | 4          | 82969        | ROOF HOOD SCREEN WASHER                       |
| 4           | 3          | IFB38        | ROOF RADIUS SUPPORT LH (FORMED)               |
| 5           | 4          | IFB40        | ROOF RADIUS SUPPORT RH (FORMED)               |
| 4           | 1          | IFB38        | ROOF RADIUS SUPPORT LH (FORMED)               |
| 6           | 1          | YBFB10001    | BOLT FLANGE, 5/16 X 1 G5                      |
| 7           | 2          | YBFB10075    | BOLT FLANGE, 5/16 X 3/4 G5                    |
| 8           | 1          | YBFB10300    | BOLT FLANGE, 5/16 X 3 G5                      |
| 9           | 4          | YNFG10005    | NUT FLANGE, 5/16 GF                           |
| 10          | 1          | YSDR08005    | SCREW SELF DRILLING, HEX WASHER HEAD, 1/4 X 1 |

**FIGURE 23**  
**ELECTRIC DRIVE FLIP TARP**

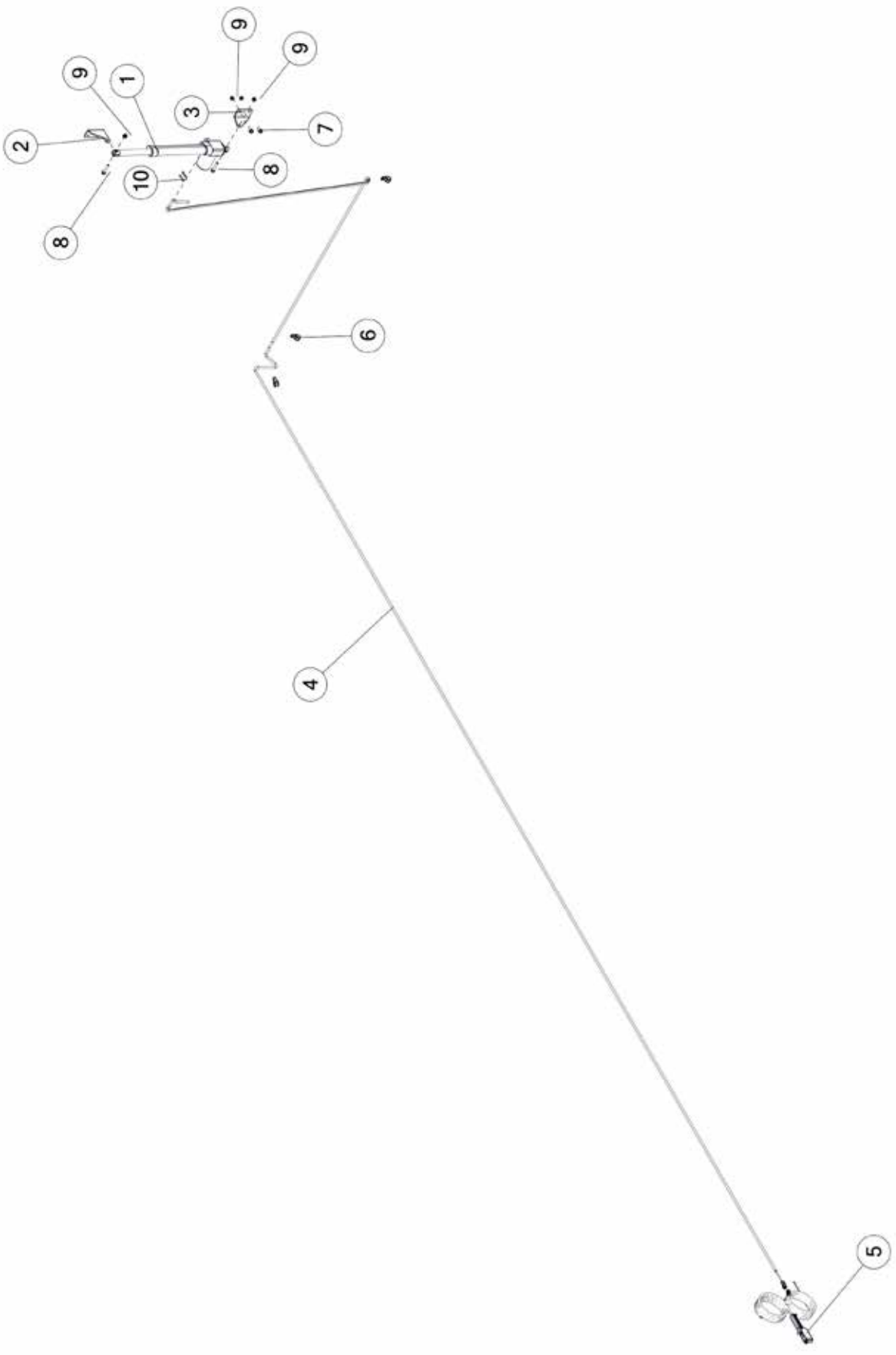


## FIGURE 23

### ELECTRIC DRIVE FLIP TARP

| <u>ITEM</u> | <u>QTY</u> | <u>PART#</u> | <u>DESCRIPTION</u>                 |
|-------------|------------|--------------|------------------------------------|
| 1           | 1          | 80056        | THREADED TARP AXLE                 |
| 2           | 1          | 80361        | SHUR-MATIC ARM TARP, 40 X 94       |
| 3           | 1          | 80057        | ALUMINUM WINDSHIELD                |
| 4           | 1          | 80055        | TARP AXLE SIDE PLATE RH            |
| 5           | 1          | 80054        | TARP AXLE SIDE PLATE LH            |
| 6           | 2          | 80065        | ALUMINUM PIVOT ARM REST BRACKET    |
| 7           | 2          | 80066        | RUBBER BUMPER                      |
| 8           | 2          | 85839        | TARP TUBE ELBOW                    |
| 9           | 2          | 85841        | RUBBER BUMPERS                     |
| 10          | 1          | 85840        | TARP TUBE CROSSOVER                |
| 11          | 1          | 80113        | RADIAL BALL BEARING W/FLANGES      |
| 12          | 1          | 78505        | UPPER ATTACH BRACKET               |
| 13          | 1          | 80068        | ROLLER GUIDE TUBE                  |
| 14          | 2          | 80069        | TARP ROLLER GUIDE BRACKET          |
| 15          | 2          | 80070        | TARP ROLLER GUIDE BEARING ASSEMBLY |
| 16          | 2          | 80052        | ALUMINUM RETURN ARM                |
| 17          | 2          | 80046        | PILLOW BLOCK BEARING, 1            |
| 18          | 2          | 80049        | SPRING SHAFT                       |
| 19          | 1          | 80050        | TORSION SPRING                     |
| 20          | 2          | 80044        | SPRING RETAINER BRACKET            |
| 21          | 2          | 80042        | DROP PLATE                         |
| 22          | 2          | 80045        | FLANGE BEARING 1 ID                |
| 23          | 2          | 80081        | POLISHED HEX PIVOT CASTING, 7/8    |
| 24          | 1          | 80064        | TARP AXLE STUB SHAFT               |
| 25          | 1          | 80043        | TORSION SPRING                     |
| 26          | 1          | 80378        | 50-AMP AUTO-RESET CIRCUIT BREAKER  |
| 27          | 1          | 80403        | MOTOR REVERSING SOLENOID           |
| 28          | 1          | 80402        | DUAL-CONDUCTOR SOCKET W/ BOOT      |
| 29          | 1          | 80390        | HEAVY-DUTY DUAL-CONDUCTOR PLUG     |
| 30          | 1          | 80376        | ROCKER SWITCH MOUNTING BRACKET     |
| 31          | 1          | 80377        | ROCKER SWITCH                      |
| 32          | 1          | 80375        | SOLENOID COVER                     |
| 33          | 1          | 80058        | DURABUILT MOTOR W/ COVER, 3-1/8    |
| 34          | 1          | 78488        | FOLD DOWN LINKAGE                  |
| 35          | 1          | 78009        | SPRING RETAIN LEVER                |
| 36          | 1          | 78012        | VARIABLE STOP DOUBLER              |
| 37          | 2          | 85835        | BEARING BRACKET                    |

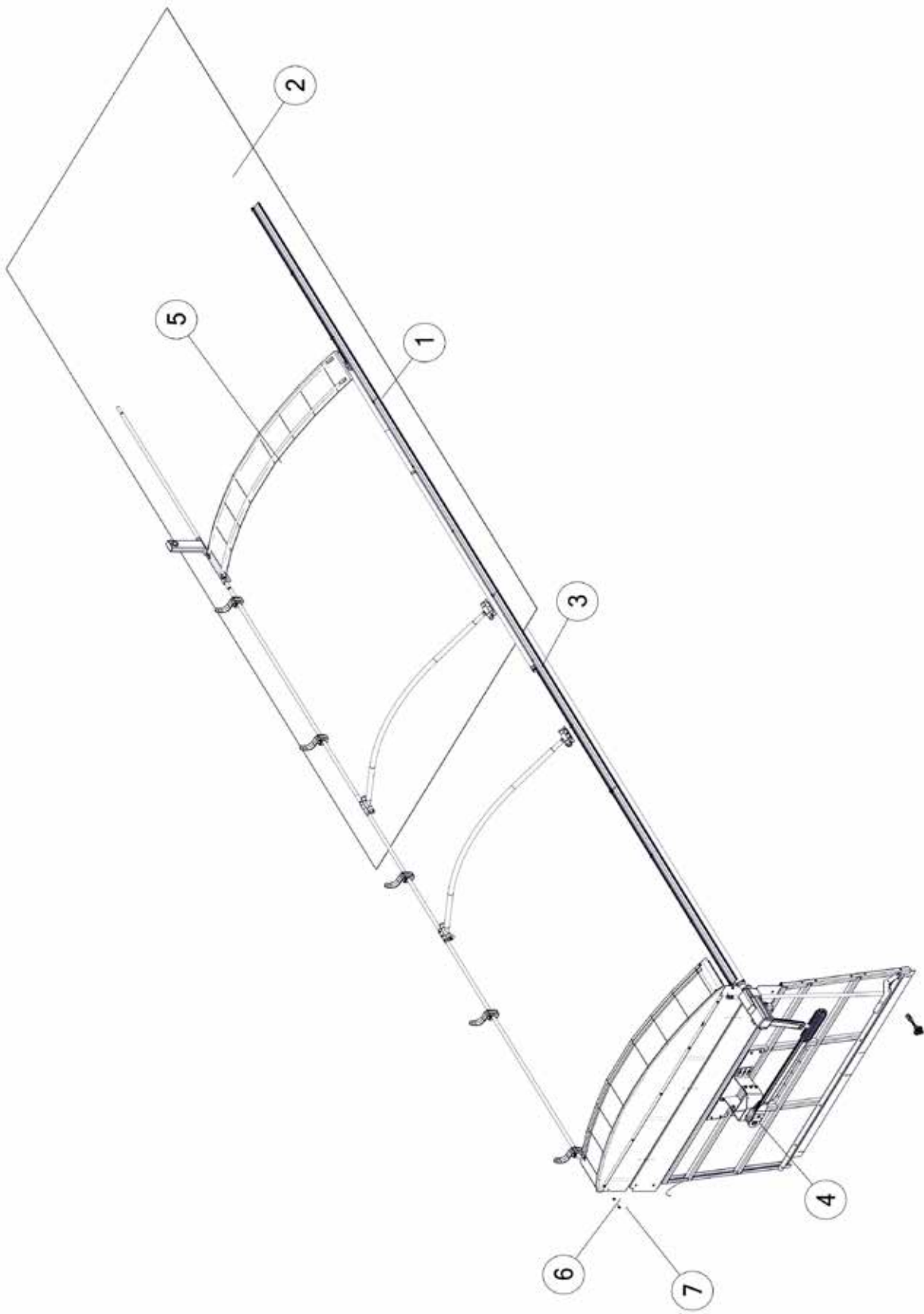
**FIGURE 24**  
**OPTIONAL ELECTRIC ACTUATOR CONTROL FLIP DOWN**



**FIGURE 24**  
**OPTIONAL ELECTRIC ACTUATOR CONTROL FLIP DOWN**

| <b><u>ITEM</u></b> | <b><u>QTY</u></b> | <b><u>PART#</u></b> | <b><u>DESCRIPTION</u></b>         |
|--------------------|-------------------|---------------------|-----------------------------------|
| 1                  | 1                 | 82894               | LINEAR ACTUATOR                   |
| 2                  | 1                 | 80885               | ACTUATOR MOUNT BRACKET            |
| 3                  | 1                 | 80888               | ACTUATOR MOUNT BRACKET            |
| 4                  | 1                 | 82932               | WIRE WITH DEUTSCH CONNECTIONS     |
| 5                  | 1                 | 61598               | HAND CONTROLLER, ON-OFF           |
| 6                  | 3                 | HGV162              | RUBBER WIRE HOLDER, 1/2           |
| 7                  | 2                 | YBFB12003           | BOLT FLANGE, 3/8 X 1 G5           |
| 8                  | 2                 | YBFB12200           | BOLT FLANGE, 3/8 X 2 G5           |
| 9                  | 4                 | YNFG12006           | NUT FLANGE, 3/8                   |
| 10                 | 2                 | ECBC002             | ELEC, CONN, BUTT, 14 GA INSULATED |

**FIGURE 25**  
**ELECTRIC SIDE-TO-SIDE TARP OPTION**



**FIGURE 25**  
**ELECTRIC SIDE-TO-SIDE TARP OPTION**

| <u>ITEM</u> | <u>QTY</u> | <u>PART#</u> | <u>DESCRIPTION</u>   |
|-------------|------------|--------------|----------------------|
| 1           | 1          | 85908        | PIPE KIT, 16 FT      |
| 2           | 1          | 85028        | TARP, 26 FT          |
| 3           | 1          | 85910        | RETURN KIT           |
| 4           | 1          | 85770        | ROCKER ARM KIT       |
| 5           | 1          | 86034        | MAIN KIT             |
| 6           | 2          | YNFG12006    | NUT FLANGE, 3/8      |
| 7           | 2          | YBFB12003    | BOLT FLANGE, 3/8 X 1 |

**PARTS NOTES**

Lined area for writing notes, consisting of 22 horizontal lines.



# CHANGES NOTES

1. FIGURE 23 - ADD ITEM #32 THRU 37
2. CHANGE HARDWARE FIG 4, 7, 10, 11, 17

**H&S MFG. CO.**

products approved

for the

**FEMA**

**SEAL OF QUALITY**

