



BD1130
BIG DOG
FORAGE BOX
PARTS BOOK

Part #87160 HSMFG041221 Rev. #02 Starting Ser. #221BD30001

STRONG HERITAGE - STRONG PEOPLE - STRONGER FUTURE

CONTENTS

Instructions For Ordering Parts – About Improvements	1
Figure 1 - Body Panels LH	2-3
Figure 2 – Body Panels RH	4-5
Figure 3 – Window & Components	6-7
Figure 4 – Front Linkage and Components	8-9
Figure 5 – Front Guards & Components	10-11
Figure 6 – Floor & Components	12-13
Figure 7 – Apron Chain	14-15
Figure 8 – Idler Shaft Components	16-17
Figure 9 – Drive Shaft & Components	18-19
Figure 10 – Drive Sprocket LH	20-21
Figure 11 – Drive Sprocket RH	22-23
Figure 12 – Hydraulics	24-25
Figure 13 – Tail Light & Components	26-27
Figure 14 – Lights	28-29
Figure 15 – Back Door & Components	30-31
Figure 16 – Optional Barn Doors	32-35
Figure 17 – Optional Air Barn Doors	36-37
Figure 18 – Grain Hopper Kit	38-41
Figure 19 – Hydraulic Flow Control	42-43
Figure 20 - Chassis Mount Kit	44-45
Figure 21 - Screen Filler Kit	46-47
Figure 22 - Roof Hood	48-49
Figure 23 - Electric Drive Flip Tarp	50-51
Figure 24 - Optional Electric Actuator Control Flip Down	52-53
Figure 25 - Shur-Co Electric Side-to-Side Tarp Option	54-55
Figure 25 - Shur-Co Electric Side-to-Side Tarp Option - Main Kit	56-57
Figure 25 - Shur-Co Electric Side-to-Side Tarp Option - 4500 HD Rocker Arm Kit	58-59
Figure 25 - Shur-Co Electric Side-to-Side Tarp Option - Pipe Kit & Return Strap Kit	60-61
Parts Notes -	62

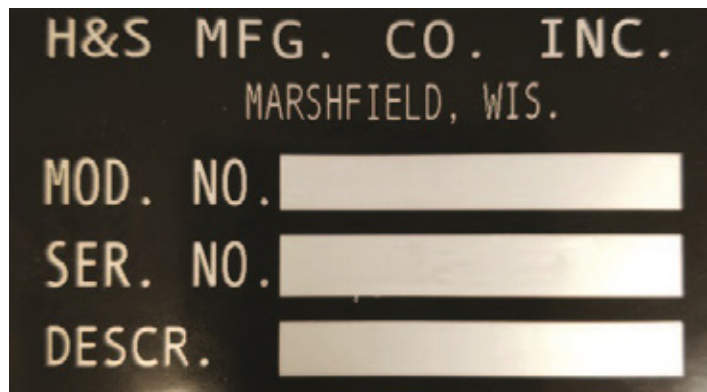
INSTRUCTIONS FOR ORDERING PARTS

All service parts should be ordered through your authorized H&S dealer. He will be able to give you faster service if you will provide them with the following:

1. Model & Serial Number - Both can be located on the left, rear main frame of your unit.
2. All references to left or right apply to the machine as viewed from the rear.
3. Parts should not be ordered from illustration only. Please order complete part number.
4. If your dealer has to order parts - give shipping instructions:

VIA truck - large pieces (please specify local truck lines)

VIA United Parcel Service (include full address)



H&S MFG. CO. INC.
MARSHFIELD, WIS.
MOD. NO.
SER. NO.
DESCR.

PLEASE RECORD NUMBERS FOR YOUR UNIT FOR QUICK REFERENCE

ABOUT IMPROVEMENTS

H&S IS CONTINUALLY STRIVING TO IMPROVE ITS PRODUCTS

We must, therefore, reserve the right to make improvements or changes whenever it becomes practical to do so, without incurring any obligation to make changes or additions to the equipment previously sold.

FIGURE 1
BODY PANELS LH

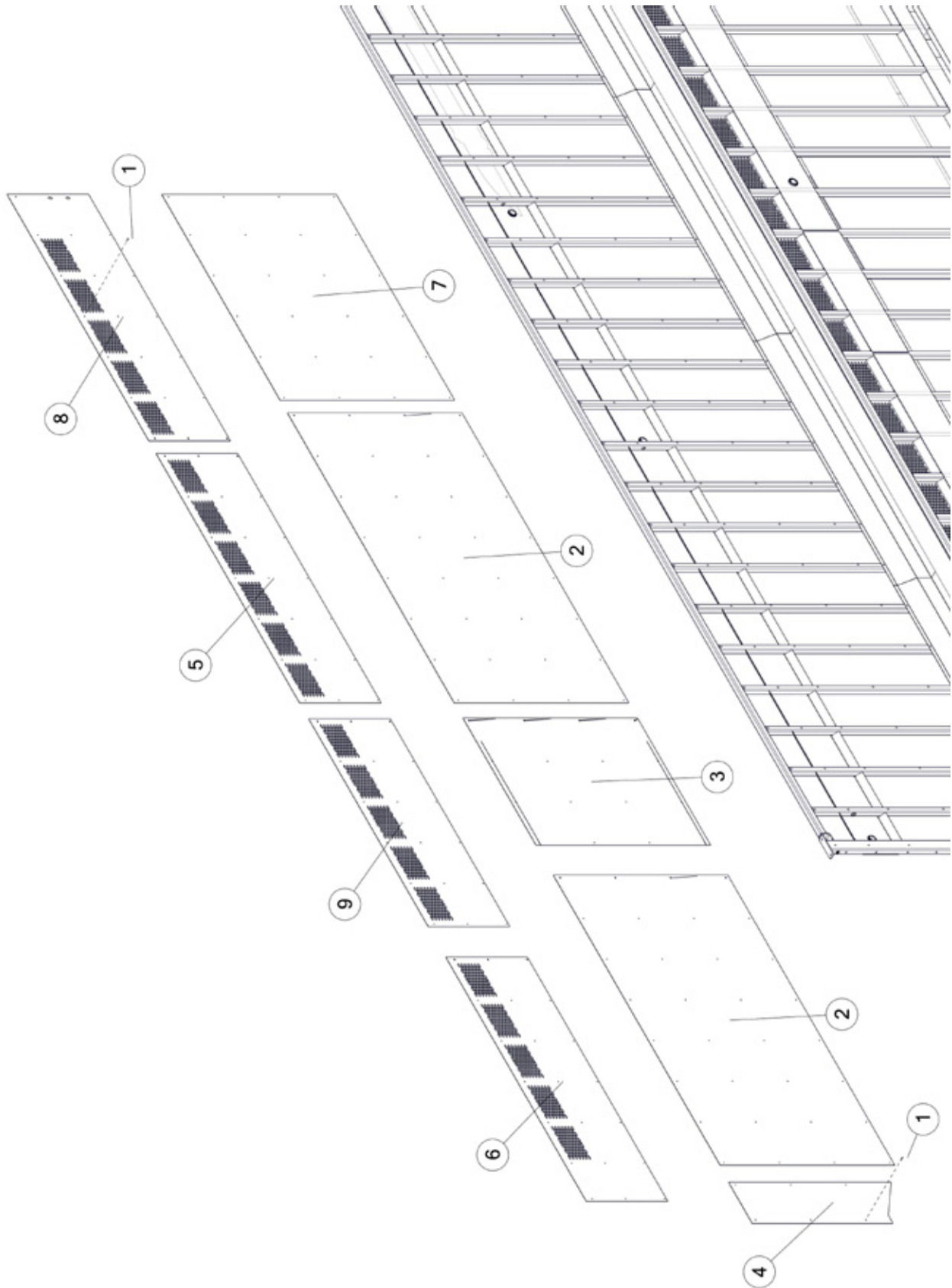


FIGURE 1
BODY PANELS LH

<u>ITEM</u>	<u>QTY</u>	<u>PART#</u>	<u>DESCRIPTION</u>
1	139	1043	HUCK RIVET
2	1	78452	PANEL SIDE, CENTER
3	1	78822	PANEL SIDE, SHORT FILLER
4	1	79482	PANEL SIDE, BACK
5	1	81793	EXTENSION SIDE, CENTER
6	1	81852	EXTENSION SIDE, BACK
7	1	81979	PANEL, FRONT
8	1	82418	EXTENSION SIDE, FRONT
9	1	82669	EXTENSION SIDE, CENTER

FIGURE 2
BODY PANELS RH

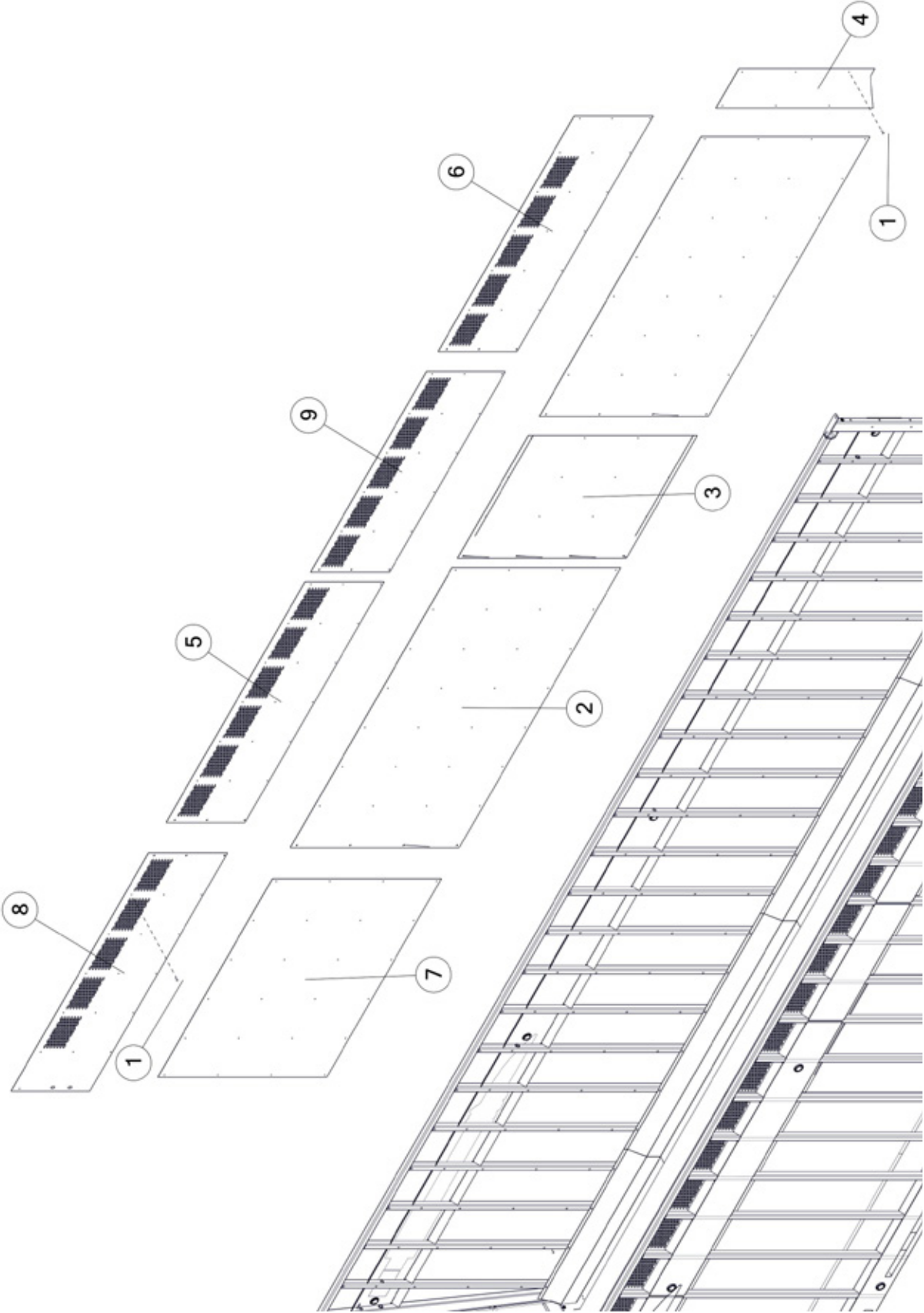


FIGURE 2
BODY PANELS RH

<u>ITEM</u>	<u>QTY</u>	<u>PART#</u>	<u>DESCRIPTION</u>
1	139	1043	HUCK RIVET
2	1	78452	PANEL, CENTER
3	1	78822	PANEL SIDE, SHORT FILLER
4	1	79482	PANEL SIDE, BACK
5	1	81793	EXTENSION SIDE, CENTER
6	1	81852	EXTENSION, SIDE BACK
7	1	81979	PANEL, FRONT
8	1	82418	EXTENSION SIDE, FRONT
9	1	82669	EXTENSION SIDE, CENTER

FIGURE 3
WINDOW & COMPONENTS

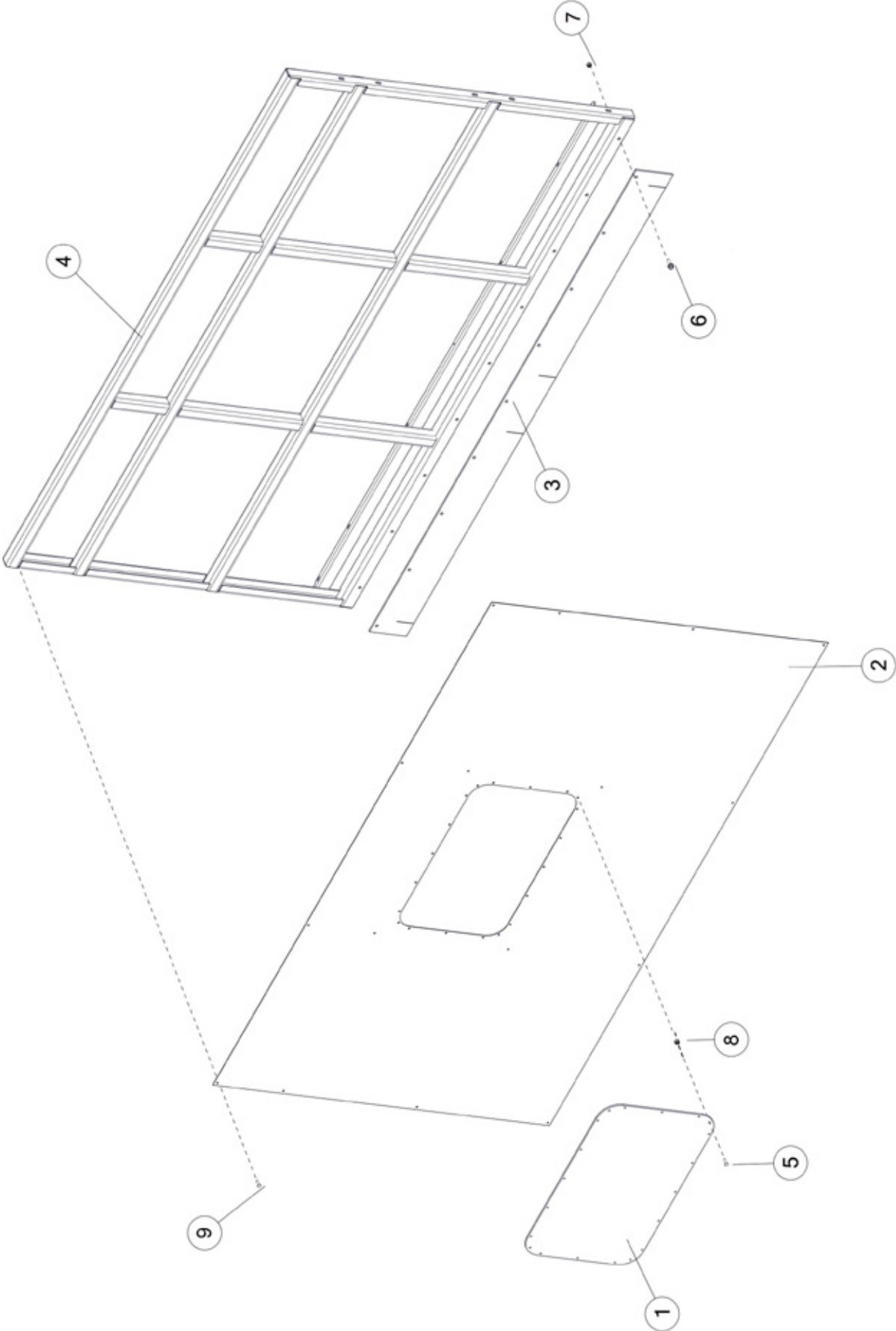


FIGURE 3
WINDOW & COMPONENTS

<u>ITEM</u>	<u>QTY</u>	<u>PART#</u>	<u>DESCRIPTION</u>
1	1	55839	WINDOW W/HOLES
2	1	78092	PANEL, FRONT
3	1	78274	RUBBER SEAL, FRONT
4	1	78093	FRAME, SLANTED
5	20	YBFB08075	BOLT FLANGE, 1/4 X 3/4 G5
6	9	YBFB12125	BOLT FLANGE, 3/8 X 1-1/4
7	9	YNFG12006	NUT FLANGE, 3/8
8	20	YNFG08010	NUT FLANGE , 1/4 GF
9	16	YS DR66007	SCREW SELF DRILLING, 12 X 1-1/4

FIGURE 4 **FRONT LINKAGE & COMPONENTS**

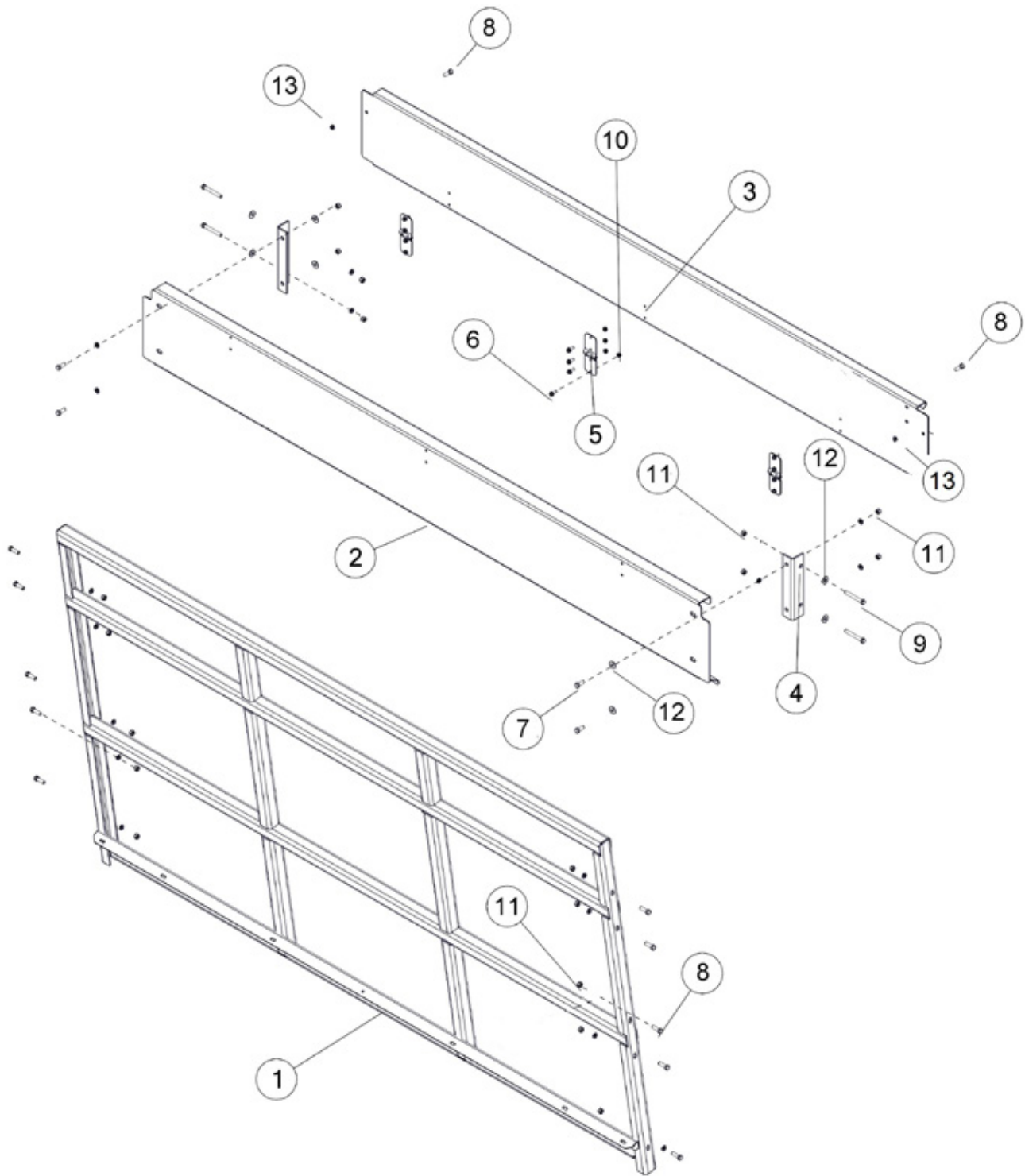


FIGURE 4
FRONT LINKAGE & COMPONENTS

<u>ITEM</u>	<u>QTY</u>	<u>PART#</u>	<u>DESCRIPTION</u>
1	1	78093	FRAME, SLANTED
2	1	82135	PANEL, FRONT UPPER
3	1	82138	PANEL, UPPER
4	2	02306G01	ANGLE
5	3	82134	HINGE
6	9	YBFB08075	BOLT FLANGE, 1/4 X 3/4 G5
7	4	YBFB12003	BOLT FLANGE, 3/8 X 1 G5
8	12	YBFB12125	BOLT FLANGE, 3/8 X 1-1/4 G5
9	4	YBFB12300	BOLT FLANGE, 3/8 X 3 G5
10	9	YNFG08010	NUT FLANGE, 1/4
11	36	YNFG12006	NUT FLANGE, 3/8
12	8	YWFL12005	WASHER FLAT, 3/8
13	2	S192	HANDLE NUT

FIGURE 5 **FRONT GUARDS & COMPONENTS**

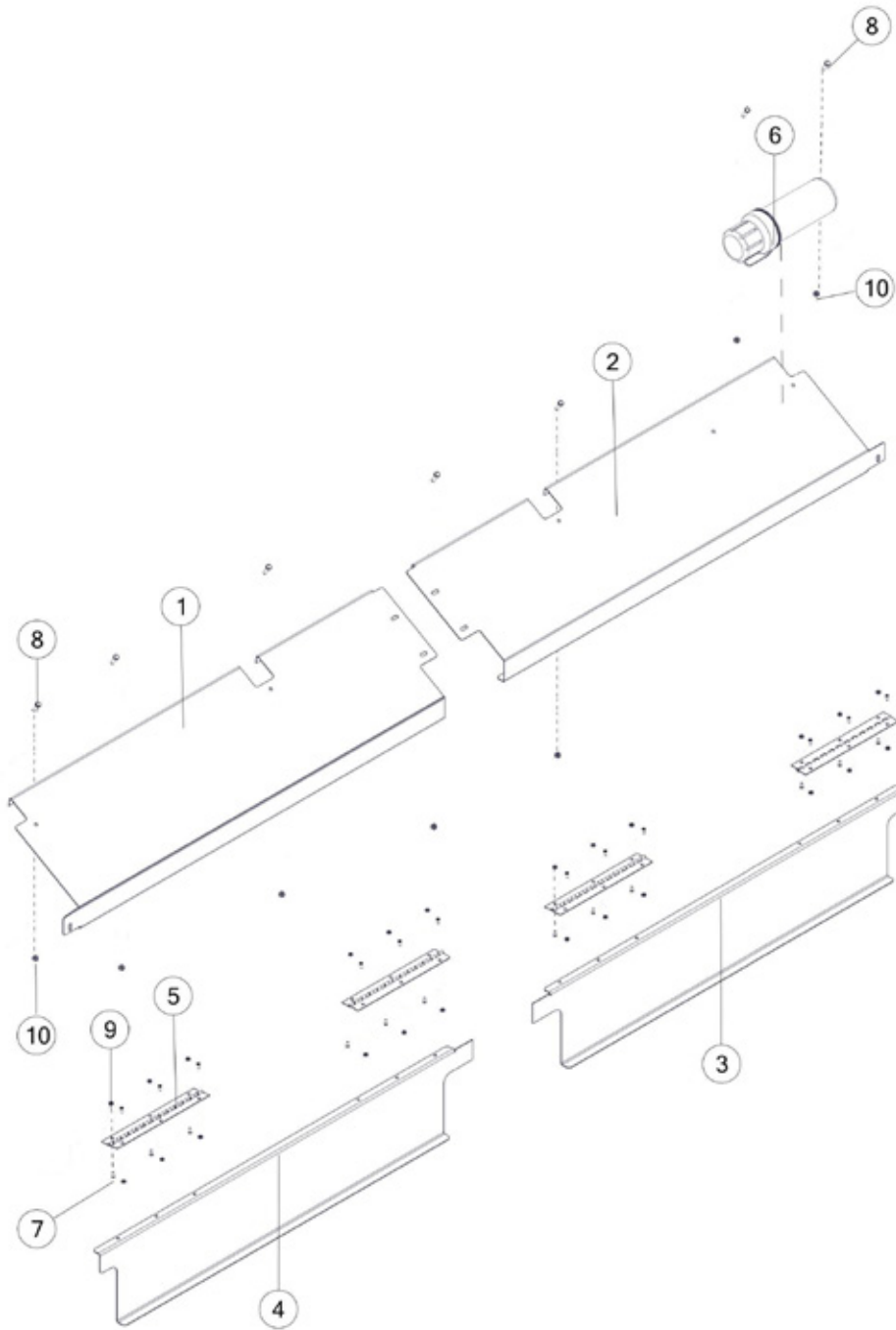


FIGURE 5 FRONT GUARDS & COMPONENTS

<u>ITEM</u>	<u>QTY</u>	<u>PART#</u>	<u>DESCRIPTION</u>
1	1	BBS72	FRONT SHIELD
2	1	BBST14G28B	FRONT SHIELD SLANT LH
3	1	BBST14G20B	FRONT SHIELD BOTTOM LH
4	1	BBS73B	FRONT SHIELD BOTTOM LH
5	4	BBSTMS15	HINGE 12 IN
6	1	S522	MANUAL HOLDER
7	24	YSFM62005	FLAT HEAD CAP SCREW, #8-32 X 1/2
8	8	YBFB08100	BOLT FLANGE, 1/4 X 1 G5
9	24	YNNY62005	NUT HEX, #8-32, LKNY
10	8	YNFG08010	NUT FLANGE, 1/4

FIGURE 6
FLOOR & COMPONENTS

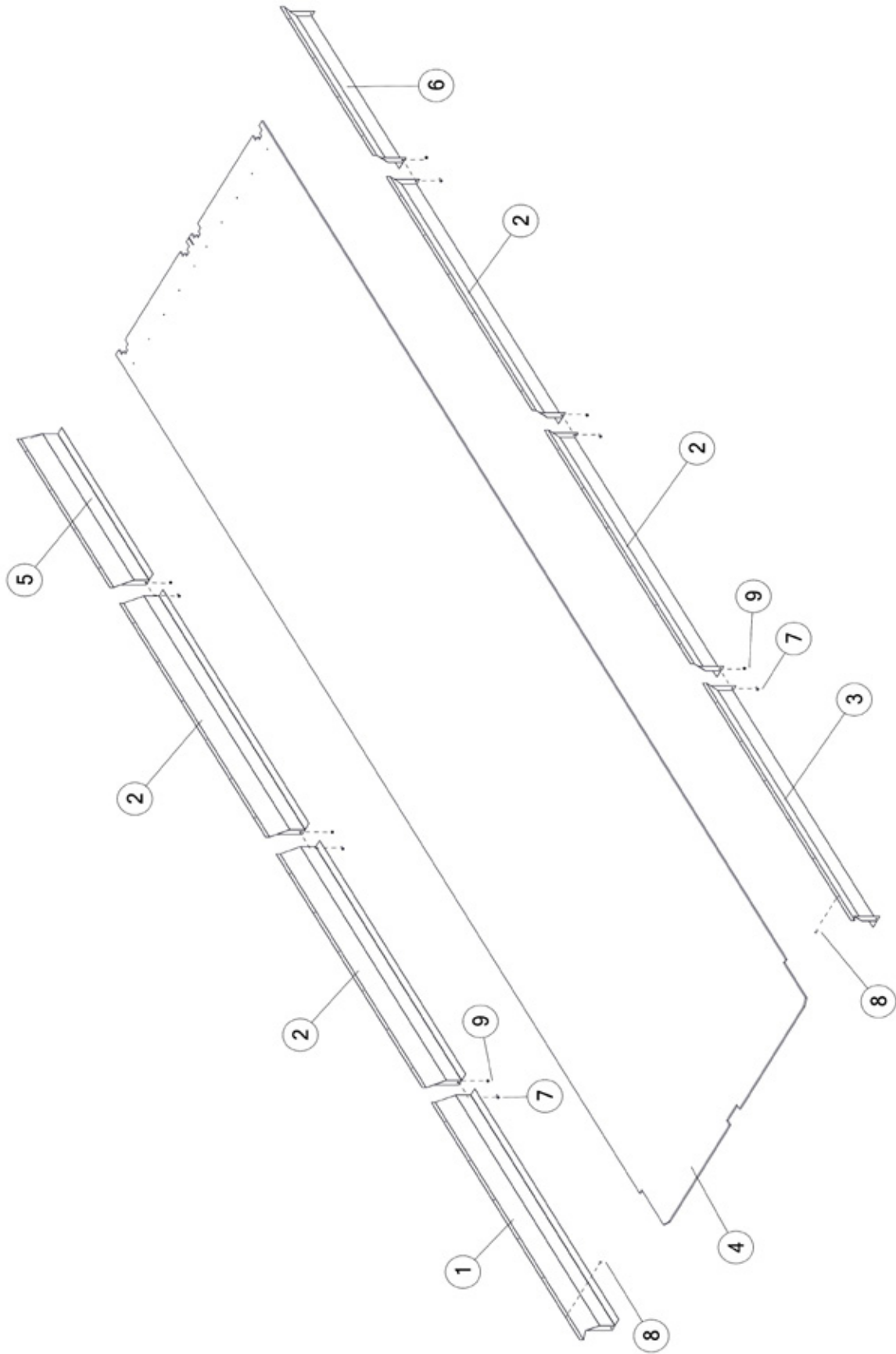


FIGURE 6
FLOOR & COMPONENTS

<u>ITEM</u>	<u>QTY</u>	<u>PART#</u>	<u>DESCRIPTION</u>
1	1	81940	SLANT PANEL, REAR LH
2	4	81947	INSIDE SIDE SLANT, CENTER
3	1	81949	SLANT PANEL, REAR RH
4	1	82841	30' POLY FLOOR
5	1	83254	SLANT PANEL, FRONT LH
6	1	83256	SLANT PANEL, FRONT RH
7	6	YBHH12135	BOLT, 3/8-16 X 3/4 GR 5
8	44	YSDR66007	SCREW SELF DRILLING, 12 X 1-1/4
9	6	YNNY12005	NUT, HEX, 3/8-16, LKNY, G2, ZC

FIGURE 7
ARPON CHAIN

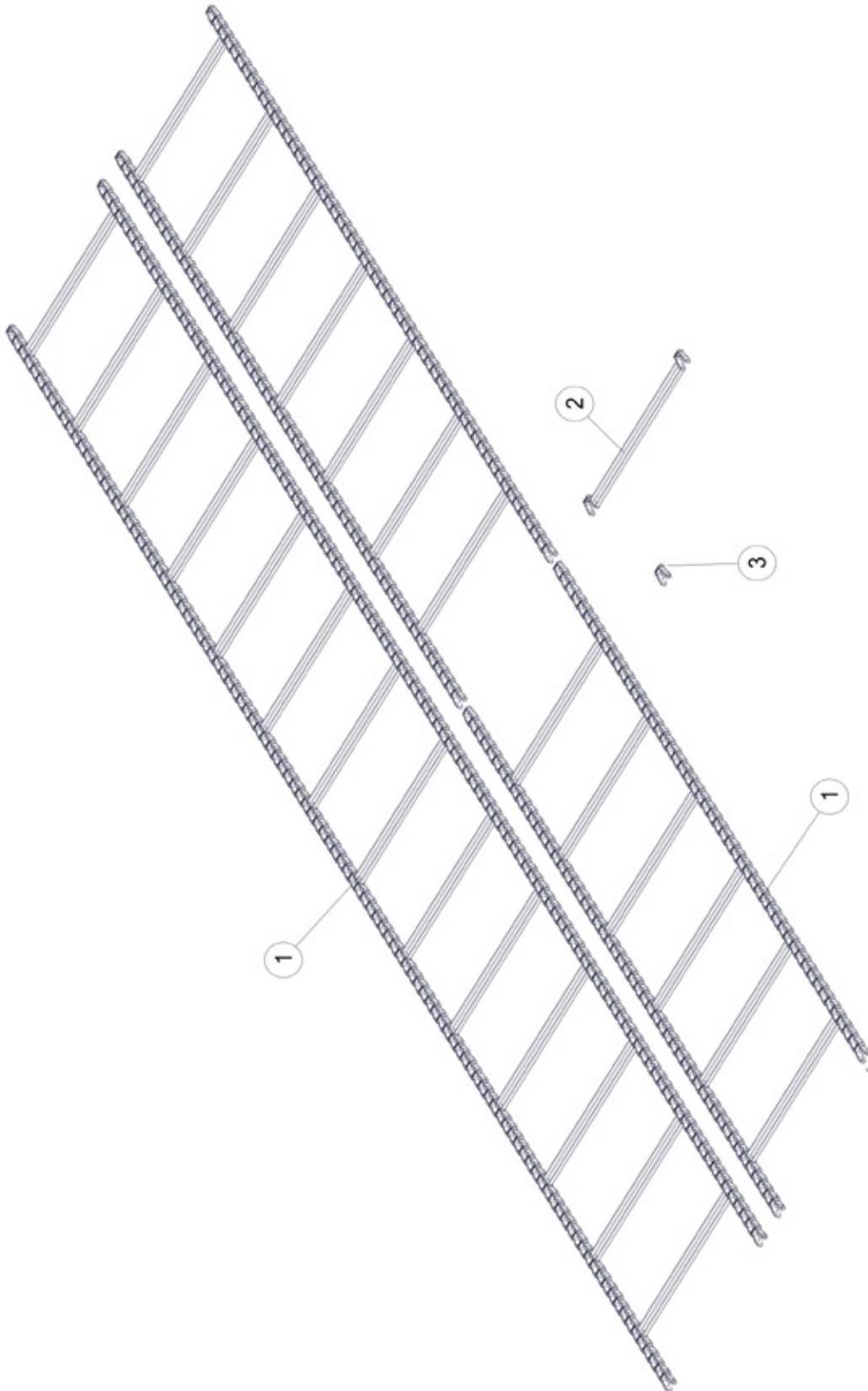


FIGURE 7
ARPON CHAIN

<u>ITEM</u>	<u>QTY</u>	<u>PART#</u>	<u>DESCRIPTION</u>
1	4	78317	PINTLE APRON CHAIN
2	3	8060	CHAIN SLAT W/ATTACHMENT LINK
3	4	8061	CONNECTOR LINK

FIGURE 8 **IDLER SHAFT COMPONENTS**

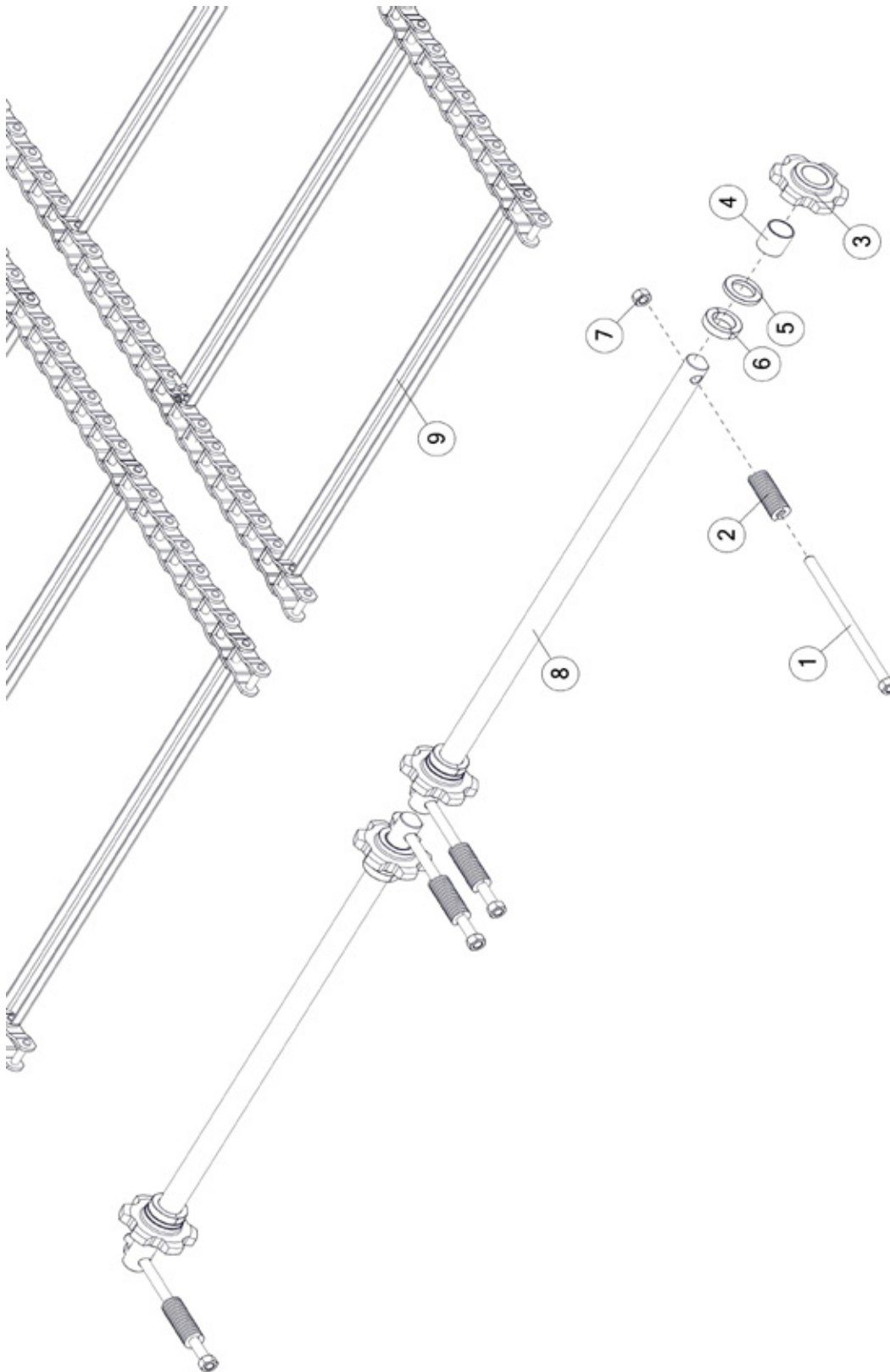


FIGURE 8
IDLER SHAFT COMPONENTS

<u>ITEM</u>	<u>QTY</u>	<u>PART#</u>	<u>DESCRIPTION</u>
1	4	BBS34	TIGHTENER ROD
2	4	BBS35	COMPRESSION SPRING
3	4	BBSTSH07	IDLER SPROCKET (6T)
4	4	RGT3	BUSHING
5	4	BBSTPL05	POLY SPACER
6	4	8340	CLAMP COLLAR
7	4	YNHX24004	NUT HEX, 3/4 G5
8	2	BBS29	IDLER SHAFT, FRONT
9	2	78317	APRON CHAIN

FIGURE 9 **DRIVE SHAFT & COMPONENTS**

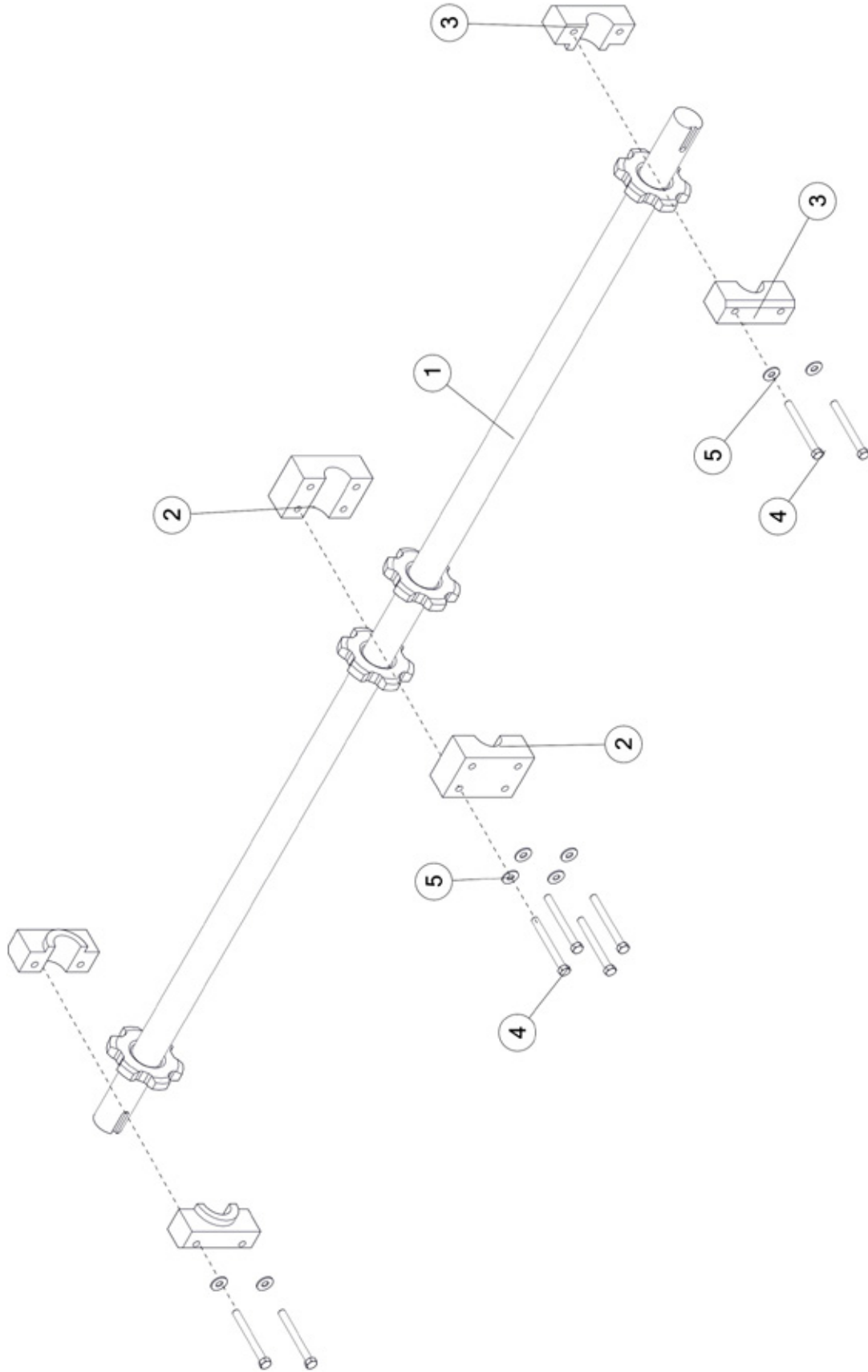


FIGURE 9
DRIVE SHAFT & COMPONENTS

<u>ITEM</u>	<u>QTY</u>	<u>PART#</u>	<u>DESCRIPTION</u>
1	1	BBSTWE04	DRIVE SHAFT
2	2	BBS62	CENTER DRIVE SHAFT BEARING
3	4	BBS63	OUTER DRIVE SHAFT BEARING
4	8	YBHH12200	BOLT FLANGE, 1/2 X 5
5	8	YWFL12005	

FIGURE 10
DRIVE SPROCKET LH

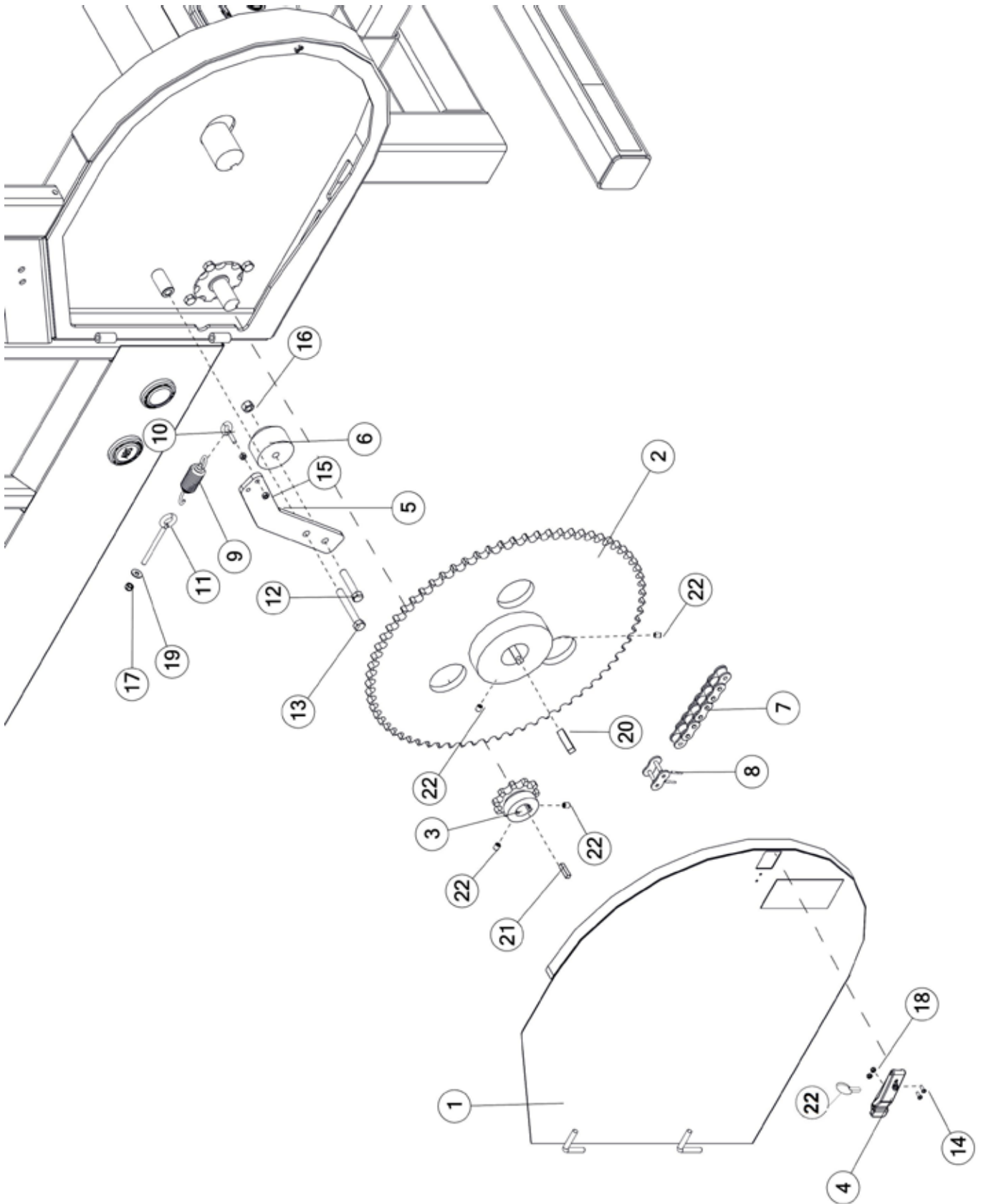


FIGURE 10

DRIVE SPROCKET LH

<u>ITEM</u>	<u>QTY</u>	<u>PART#</u>	<u>DESCRIPTION</u>
1	1	81996	SHIELD, CHAIN CASE LH
2	1	BBS60	DRIVEN SPROCKET
3	1	BBS61	DRIVE SPROCKET
4	1	80180	DRAW LATCH
5	1	BBS9	TIGHTENER BAR
6	1	BBS10	POLY TIGHTENER
7	1	1042	ROLLER CHAIN
8	1	IFB17	CONNECTOR LINK
9	1	GM410	EXTENSION SPRING
10	1	YBTE08005	BOLT TURNED EYE, 1/4 X 1
11	1	YBTE10040	BOLT TURNED EYE, 5/16 X 4
12	1	YBHH16080	BOLT HEX, 1/2 X 2-1/2 G5
13	1	YBHH16115	BOLT HEX, 1/2 X 3-1/2 G5
14	2	YSPP62006	SCREW PAN #8-32 X 1/2
15	2	YNHX08005	NUT HEX, 1/4
16	1	YNHX16005	NUT HEX, 1/2
17	1	YNFG10005	NUT FLANGE, 5/16
18	2	YNNY62005	NUT HEX, 8-32
19	4	YSKP12010	SCREW SET, 3/8 X 1/2
20	1	BBS59	SQUARE KEY, 1/2 X 2
21	1	G23A	SQUARE KEY, 5/16 X 1-1/4
22	1	YPLY08011	LYNCH PIN, 1/4 X 1-9/16

FIGURE 11
DRIVE SPROCKET RH

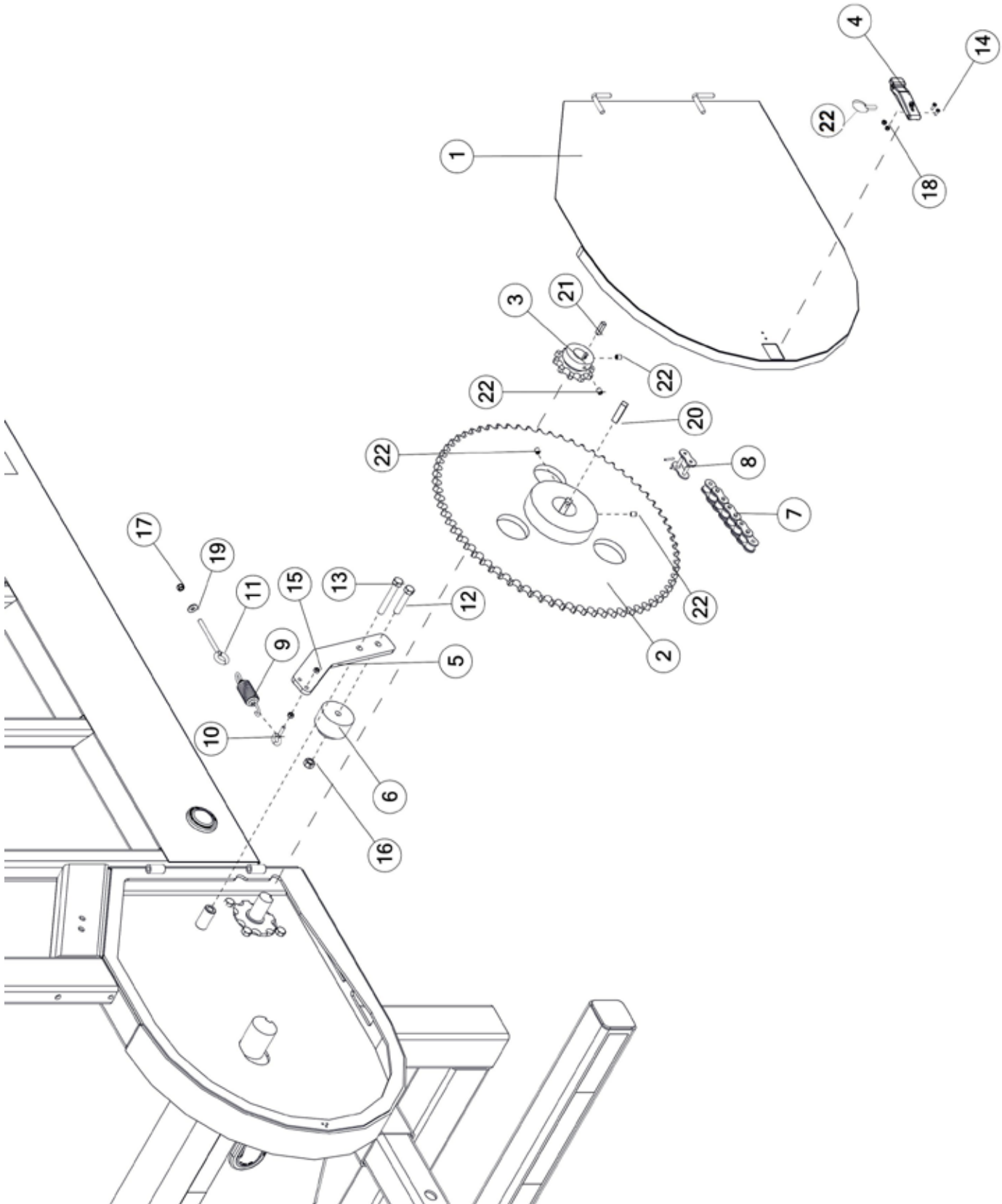


FIGURE 11

DRIVE SPROCKET RH

<u>ITEM</u>	<u>QTY</u>	<u>PART#</u>	<u>DESCRIPTION</u>
1	1	82103	SHIELD, CHAIN CASE RH
2	1	BBS60	DRIVEN SPROCKET
3	1	BBS61	DRIVE SPROCKET
4	1	80180	DRAW LATCH
5	1	BBS9	TIGHTENER BAR
6	1	BBS10	POLY TIGHTENER
7	1	1042 I	ROLLER CHAIN
8	1	FB17	CONNECTOR LINK
9	1	GM410	EXTENSION SPRING
10	1	YBTE08005	BOLT TURNED EYE, 1/4 X 1
11	1	YBTE10040	BOLT TURNED EYE, 5/16 X 4
12	1	YBHH16080	BOLT HEX, 1/2 X 2-1/2 G5
13	1	YBHH16115	BOLT HEX, 1/2 X 3-1/2 G5
14	2	YSPP62006	SCREW PAN #8-32 X 1/2
15	2	YNHX08005	NUT HEX, 1/4
16	1	YNHX16005	NUT HEX, 1/2
17	1	YNFG10005	NUT FLANGE, 5/16
18	2	YNNY62005	NUT HEX, 8-32 G2
19	4	YSKP12010	SCREW SET, 3/8 X 1/2
20	1	G23A	SQUARE KEY, 1/2 X 2
21	1	YSKP12010	SQUARE KEY, 5/16 X 1-1/4
22	1	YPLY08011	LYNCH PIN, 1/4 X 1-9/16

FIGURE 12
HYDRAULICS

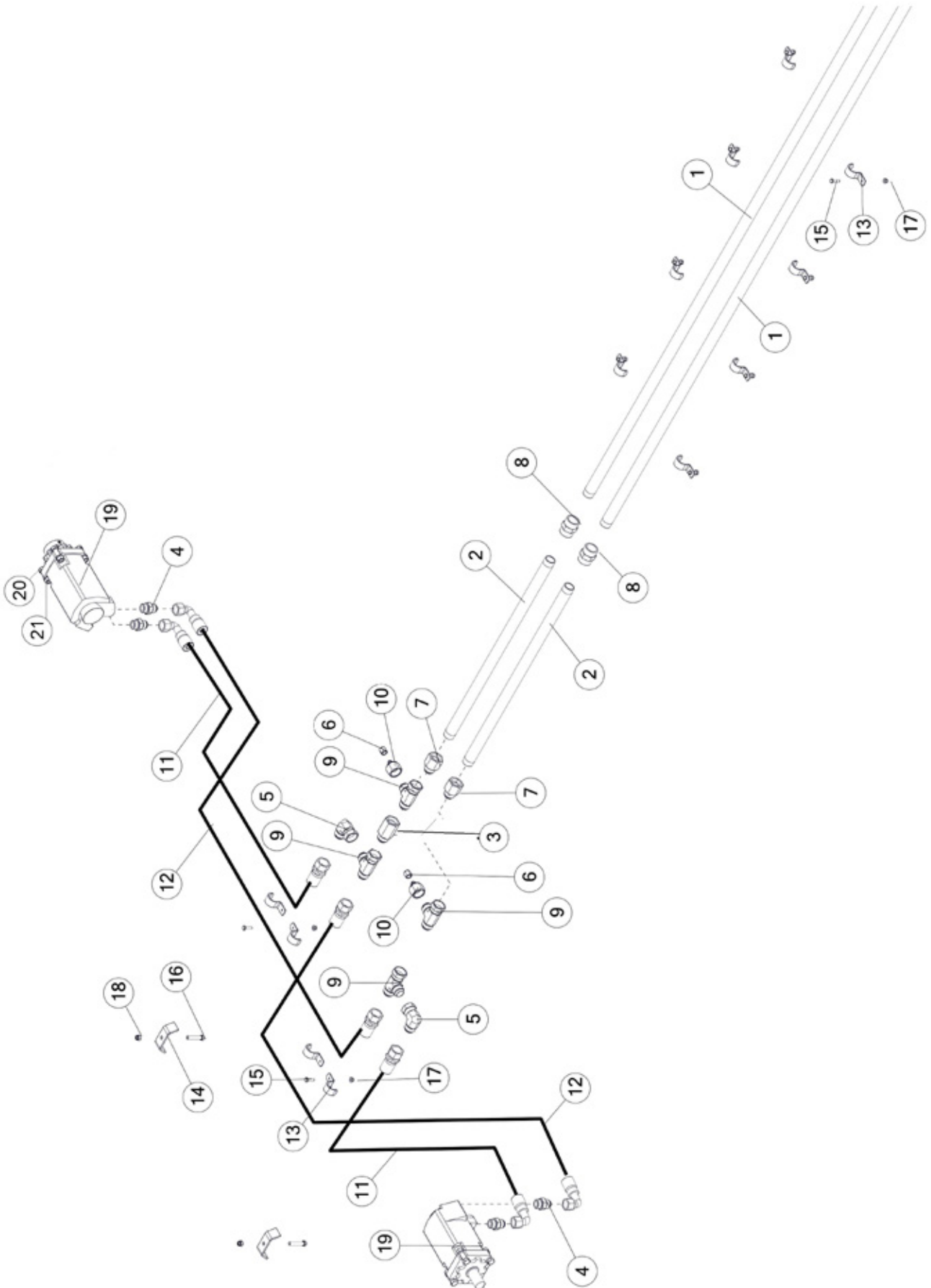


FIGURE 12 HYDRAULICS

<u>ITEM</u>	<u>QTY</u>	<u>PART#</u>	<u>DESCRIPTION</u>
1	1	BBSTPI02	HYDRAULIC LINE 1 IN
2	1	82699	HYDRAULIC LINE 1 IN
3	1	53829	CHECK VALVE
4	4	SD273	FITTING CONNCTOR
5	2	8021	SWIVEL NUT ELBOW
6	2	83114	FITTING CAP, 6JIC
7	2	BBS65	FITTING STRAIGHT, 16JIC, 16NPT
8	2	BBS85	FITTING, PIPE COUPLING
9	4	CHM182	FITTING, SWIVEL NUT RUN TEE
10	2	CHM183	FITTING, REDUCER
11	2	BBSTMS17	HYDRAULIC HOSE, PRESSURE TO MOTOR
12	2	BBSTMS18	HYDRAULIC HOSE, MOTOR RETURN
13	12	BBS86	PIPE CLAMP
14	2	T223	HOSE BRACKET
15	10	YBFB08100	BOLT FLANGE, 1/4 X 1
16	2	YBHH12080	BOLT HEX, 3/8 X 2
17	10	YNFG08005	NUT FLANGE, 1/4
18	2	YNFG12006	NUT FLANGE, 3/8
19	2	33SV73	HYDRAULIC MOTOR
20	8	YBHH16065	BOLT HEX, 1/2-13 X 2 G5 ZC
21	8	YNFG16003	NUT FLANGE, 1/2 GF

FIGURE 13 **TAIL LIGHT & COMPONENTS**

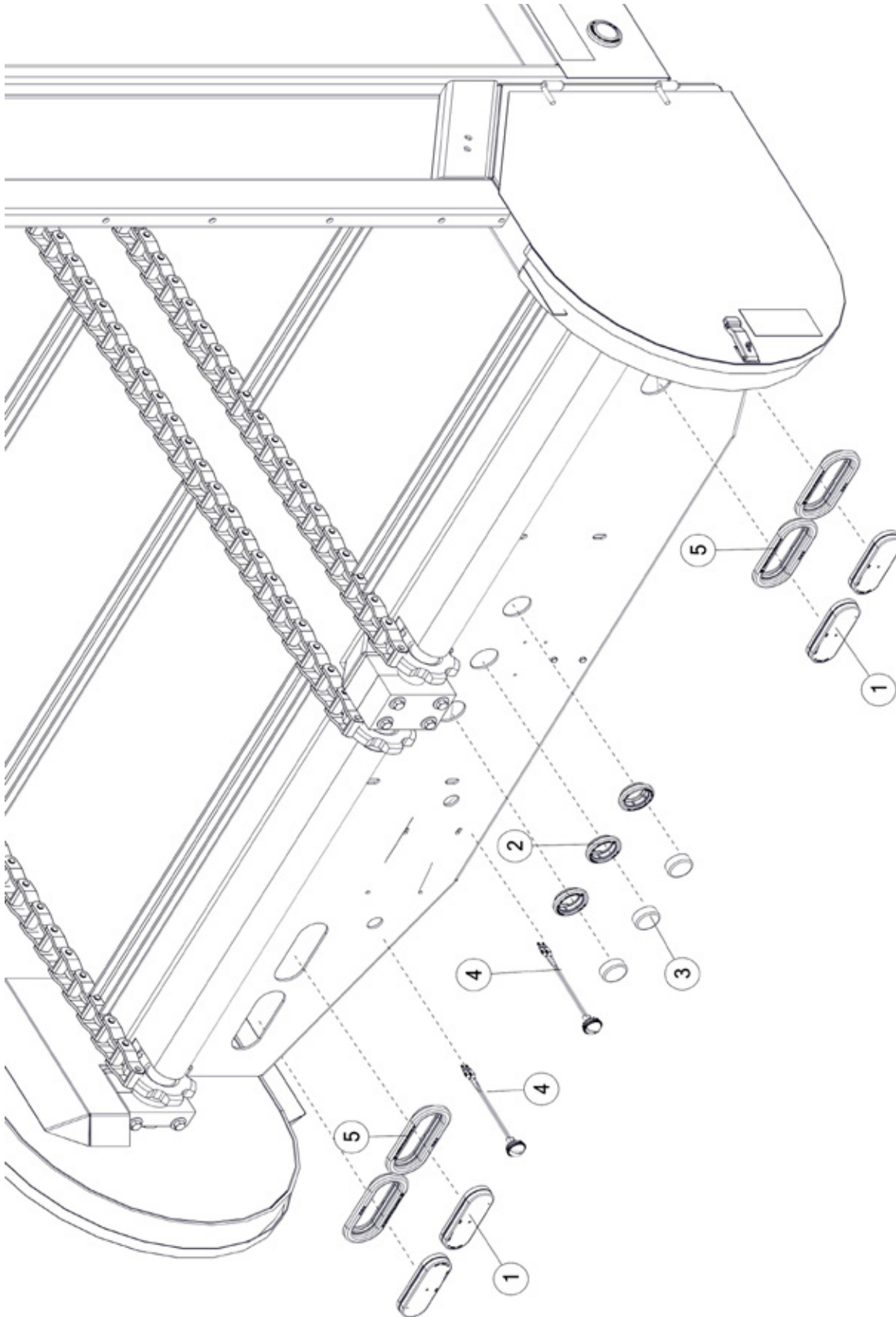


FIGURE 13
TAIL LIGHT & COMPONENTS

<u>ITEM</u>	<u>QTY</u>	<u>PART#</u>	<u>DESCRIPTION</u>
1	4	78671	RED LED LIGHT, OVAL
2	3	BBS91	ROUND LIGHT GROMMET
3	3	BBS92	MARKER LIGHT, RED ROUND
4	2	BBS98	LICENSE LIGHT
5	4	S308	OVAL LIGHT GROMMET

FIGURE 14
LIGHTS

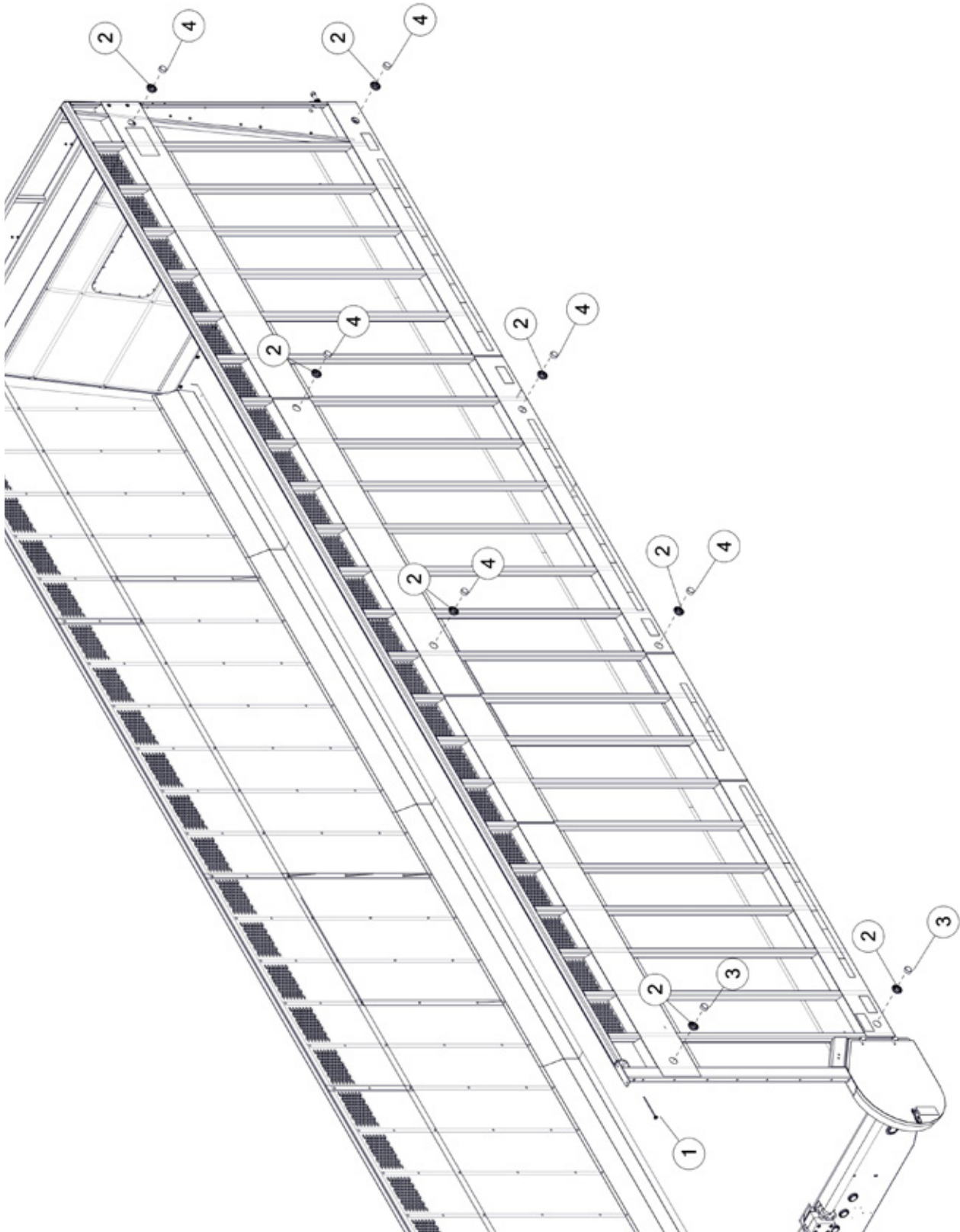


FIGURE 14 **LIGHTS**

<u>ITEM</u>	<u>QTY</u>	<u>PART#</u>	<u>DESCRIPTION</u>
1	2	8620	RED LED LIGHT, ROUND
2	16	BBS91	ROUND LIGHT, GROMMET
3	4	BBS92	MARKER LIGHT, RED ROUND
4	12	BBS93	MARKER LIGHT, AMBER ROUND

FIGURE 15 BACK DOOR & COMPONENTS

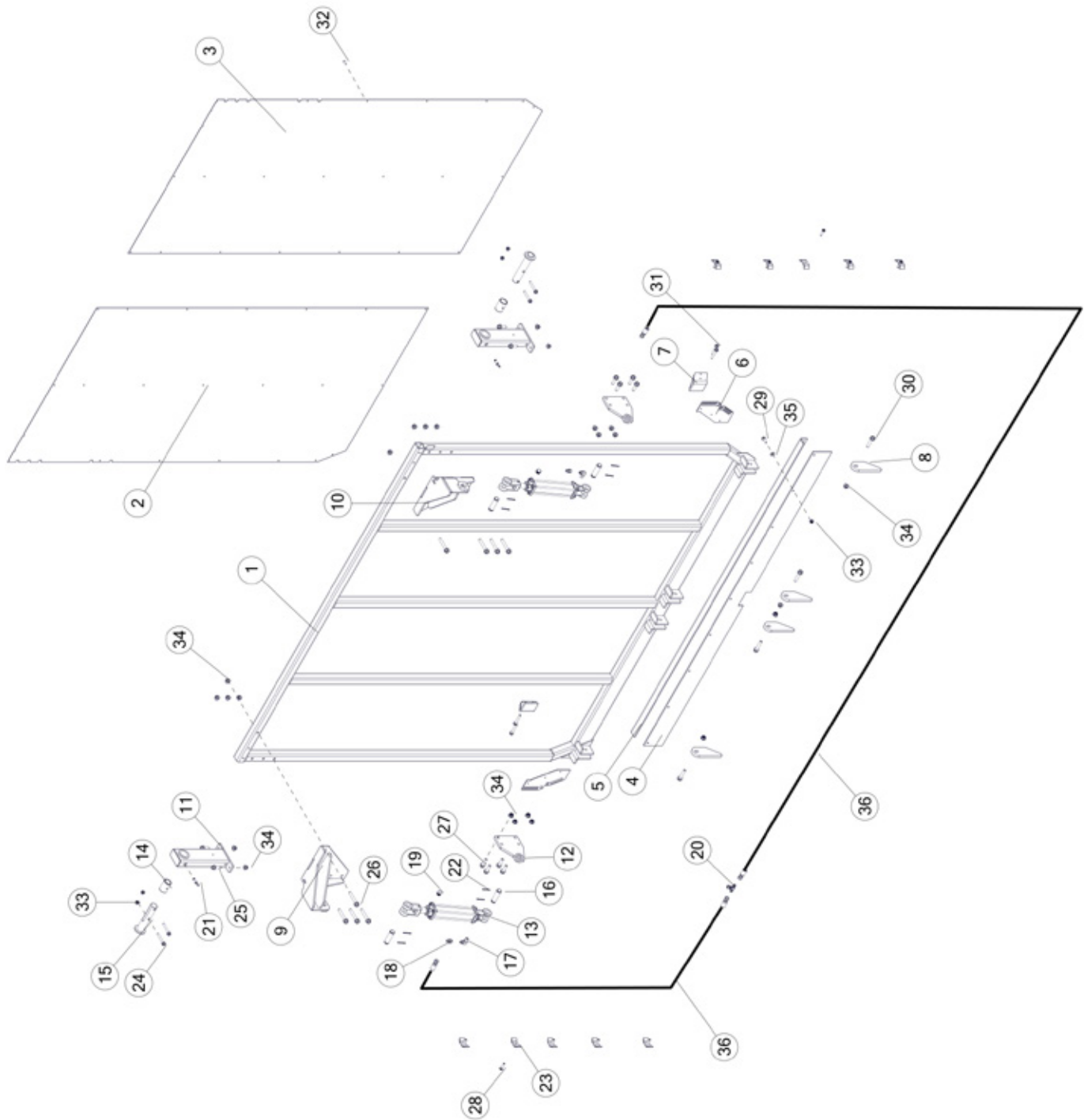


FIGURE 15

BACK DOOR & COMPONENTS

<u>ITEM</u>	<u>QTY</u>	<u>PART#</u>	<u>DESCRIPTION</u>
1	1	BBS17	DOOR
2	1	BBST16G06	PANEL DOOR, RH
3	1	61409	PANEL DOOR, LH
4	1	78295	DOOR RUBBER, REAR DOOR
5	1	78296	DOOR ANGLE
6	2	55902	CORNER DOOR SEAL
7	2	56155	DOOR STOP, RH
8	4	BBS67	LATCH
9	1	89265	UPPER GATE DELAY MOUNT, LH
10	1	89945	UPPER GATE DELAY MOUNT, RH
11	2	BBS20	STAKE TOP REAR ASSEMBLY
12	2	89267	LOWER GATE DELAY MOUNT
13	2	55999	CYLINDER (3000 PSI), 2 X 8
*	2	56187	SEAL KIT
14	2	56244	BUSHING, DRIVE SHAFT
15	2	BBS64	DOOR HINGE PIN
16	4	T143	HYDRAULIC CYLINDER PIN
17	2	CHM164	FITTING, 90, 6JIC X 3/8NPT
18	2	58144	IN-LINE CONNECTOR, ORIFICE, 6-XHX7-S .062
19	2	BFR70	VENT PLUG, 3/8
20	1	58137	FITT T, 6JIC, 6JIC 6JIC
21	2	16SV26	PIPE GREASE ZERK
22	8	YPCT05010	COTTER PIN, 5/32 X 1-1/2
23	10	23N67	FRONT HOSE BRACKET
24	4	YBFB12300	BOLT FLANGE, 3/8 X 3 G5
25	4	YBFB16150	BOLT FLANGE, 1/2 X 1-1/2 G5
26	8	YBFB16350	BOLT FLANGE, 1/2 X 3-1/2 G5
27	8	YBFB16175	BOLT FLANGE, 1/2 X 1-3/4 G5
28	10	YSHW10020	THREAD CUTTING SCREW, TYPE F, 5/16-18 X 1-1/2
29	9	YBFB12125	BOLT FLANGE, 3/8 X 1-1/4 G5
30	4	YBFB16250	BOLT FLANGE, 1/2 X 2-1/2 G5
31	4	YBFB12250	BOLT FLANGE, 3/8 X 2-1/2 G5
32	42	1043	HUCK RIVET
33	17	YNFG12006	NUT FLANGE, 3/8 GF
34	24	YNFG16003	NUT FLANGE, 1/2 GF
35	9	YWFL12005	WASHER, FLAT, 3/8
36	2	78689	HYDRAULIC HOSE, 6 X 230

FIGURE 16 OPTIONAL BARN DOORS

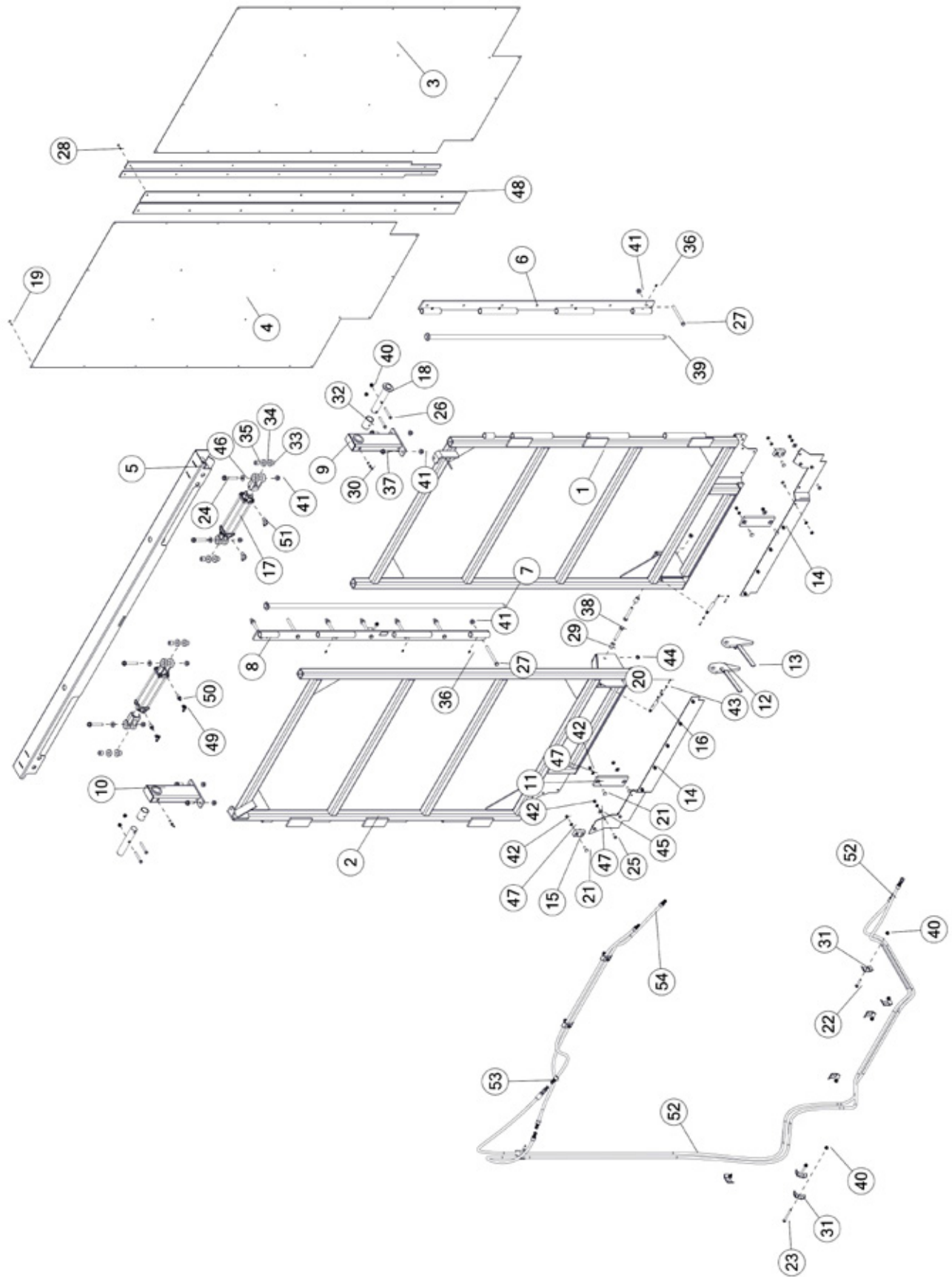


FIGURE 16

OPTIONAL BARN DOORS

<u>ITEM</u>	<u>QTY</u>	<u>PART#</u>	<u>DESCRIPTION</u>
1	1	82444	DOOR RH
2	1	82451	DOOR LH
3	1	022716G01	PANEL DOOR RH
4	1	66286	PANEL DOOR LH
5	1	80317	CHANNEL, TOP
6	1	82438	HINGE
7	1	82449	DOOR HINGE PIN
8	1	82438	HINGE
9	1	BBS20	STAKE TOP, BACK RH
10	1	BBS21	STAKE TOP, BACK LH
11	2	0227PL01	POLY BUMPER
12	1	0227WE07	LATCH LH
13	1	0227WE08	LATCH RH
14	2	0227RU01	DOOR SEAL BOTTOM
15	2	0227PL02	BARN DOOR FILLER BLOCK
16	2	SD190	GAS STRUT
17	2	85176	CYLINDER 2 X 8
18	2	BBS64	DOOR HINGE PIN
19	48	1043	HUCK RIVET
20	4	1135	SCREW MACHINE, PHILLIPS HEAD, #8-32 X .75
21	8	YBCR12020	BOLT CARRIAGE, 3/8 X 1-1/4 G5
22	5	YBFB10200	BOLT FLANGE, 5/16 X 2 G5
23	2	YBFB10350	BOLT FLANGE, 5/16 X 3-1/2 G8
24	4	YBFB16350	BOLT FLANGE, 1/2 X 3-1/2 G5
25	16	YBHH12010	BOLT HEX, 3/8 X 1 G5
26	4	YBHH12120	BOLT HEX, 3/8 X 3 G5
27	14	YBHH16160	BOLT HEX, 1/2 X 5-1/2 G5
28	14	YSDR66007	SCREW SELF DRILLING, 12 X 1-1/4
29	2	0227PI02	LATCH SPACER
30	2	16SV26	PIPE GREASE ZERK
31	8	23N67	HOSE BRACKET, FRONT
32	2	56244	DRIVE SHAFT BUSHING
33	4	82809	HYDRAULIC BARN DOOR BUSHING
34	4	84589	CYLINDER SPACER
35	4	BFR282	BELL CRANK BUSHING
36	4	MS26	SHORT SHANK ZERK-STRAIGHT
37	4	YBFB16150	BOLT FLANGE, 1/2 X 1-1/2 G5
38	2	YBHH16115	BOLT HEX, 1/2 X 3-1/2 G5
39	1	82449	DOOR HINGE PIN

FIGURE 16
OPTIONAL BARN DOORS

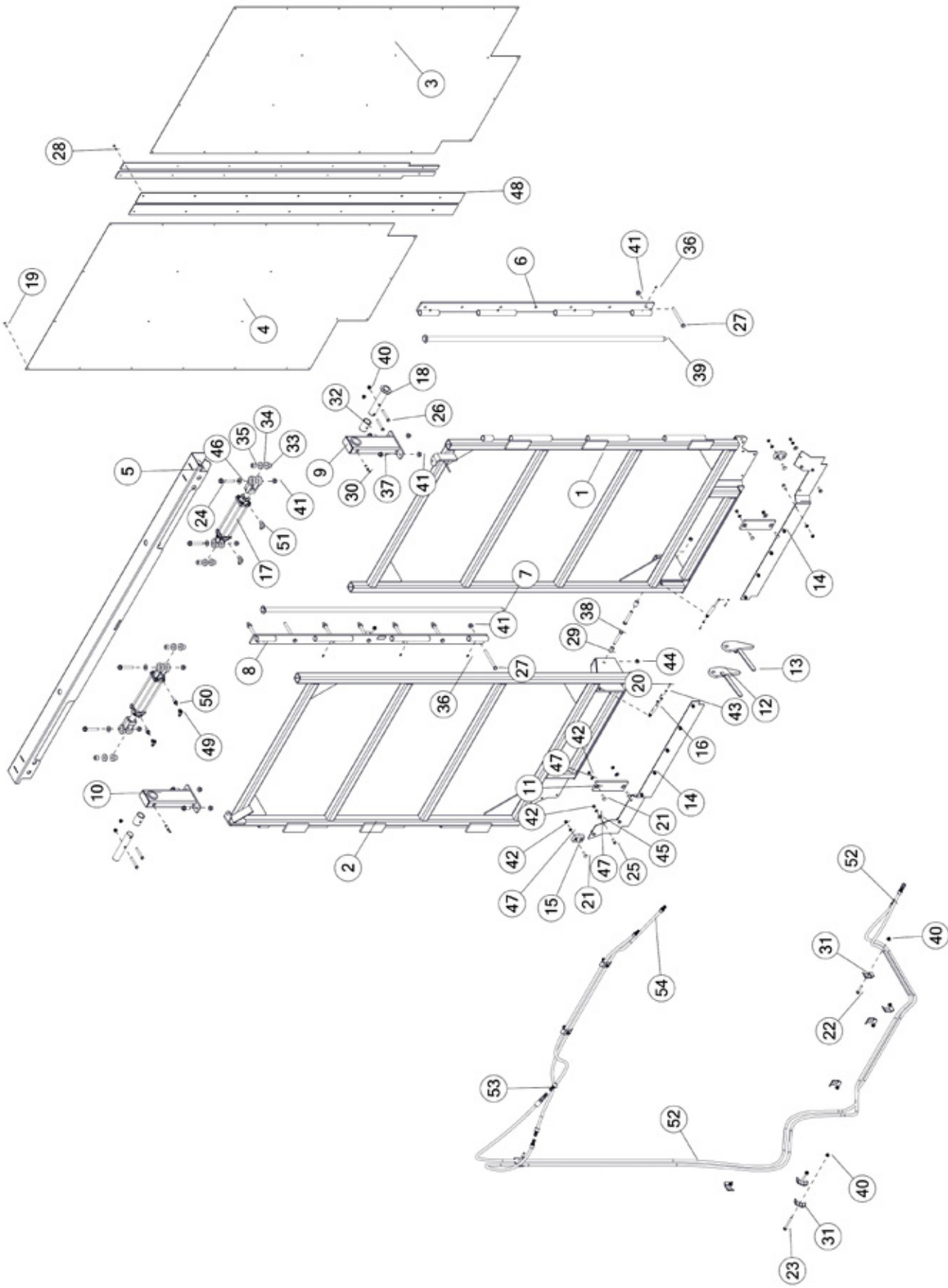


FIGURE 16

OPTIONAL BARN DOORS

<u>ITEM</u>	<u>QTY</u>	<u>PART#</u>	<u>DESCRIPTION</u>
40	4	YNFG12006	NUT FLANGE, 3/8
41	14	YNFG16005	NUT FLANGE, 1/2
42	22	YNHX12005	NUT HEX, 3/8
43	4	YNHX62005	NUT HEX, MACHINE, #8-32
44	2	YNL16005	NUT HEX, 1/2
45	22	YWFL12005	WASHER FLAT, 3/8
46	4	YWFL16005	WASHER FLAT, 1/2
47	22	YWLO12005	WASHER LOCK, 3/8
48	2	0227RU02	DOOR SEAL
49	2	58102	FITTING, 4 S6X-S
50	1	58124	FITTING, ST, 04JIC , 06NPT
51	2	58444	MALE ELBOW, 37 DEG / NPTF 4-6 CTX-S
52	2	85154	HYDRAULIC HOSE 4 X 224
53	1	85174	HYDRAULIC HOSE 4 X 58
54	1	85189	HYDRAULIC HOSE 4 X 80

FIGURE 17 OPTIONAL AIR BARN DOORS

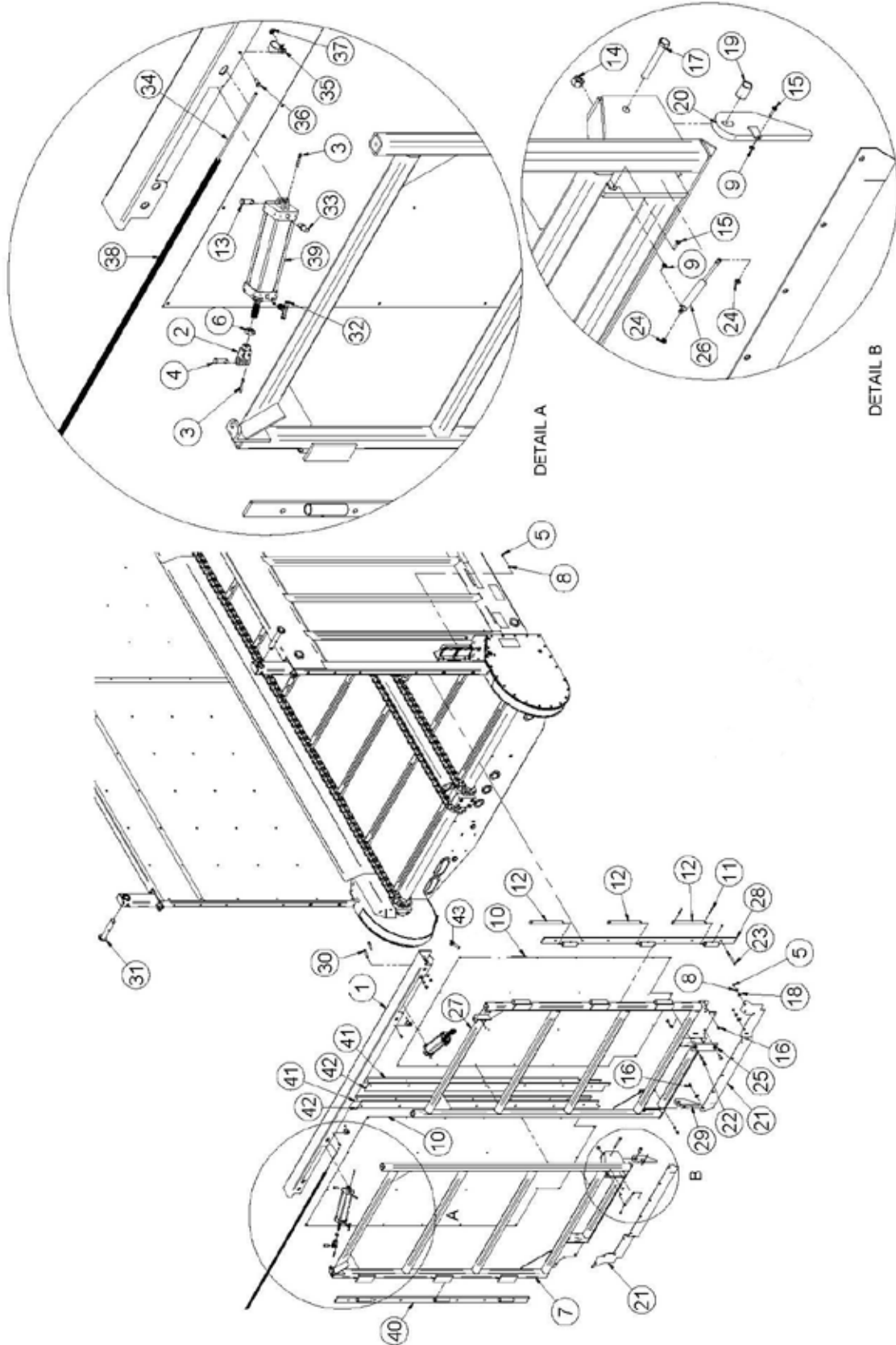


FIGURE 17

OPTIONAL AIR BARN DOORS

<u>ITEM</u>	<u>QTY</u>	<u>PART#</u>	<u>DESCRIPTION</u>
1	1	0227WE01	CHANNEL TOP
2	2	8542	CLEVIS
3	2	YPCT05005	COTTER PIN, 5/32 X 1
4	2	8544	CLEVIS PIN, 1/2 X 1-1/2
*	1	56264	CLEVIS ASSEMBLY (INCLUDES ITEM # 2, 3 & 4)
5	2	8543	CLEVIS PIN, 1/2 X 1-3/8
6	2	YNJM20010	NUT HEX, JAM, 5/8
7	1	0227WE04	DOOR LH
8	12	YWLO12005	LOCK WASHER, 3/8
9	2	YNHX62005	NUT HEX, MACHINE, #8-32
10	1	022716G01	DOOR PANEL RH
*	1	66286	DOOR PANEL LH
11	12	YPEX08015	EXPANSION PIN, 1/4 X 1 3/4
12	6	0227SH01	HINGE PIN
13	34	YNHX12005	NUT HEX, 3/8
14	2	YNFG16005	NUT FLANGE, 1/2 GG
15	2	1135	SCREW MACHINE, PHILLIPS HEAD, #8-32 x .75
16	16	YBHH12010	SCREW HEX CAP, 3/8 X 1 G5
17	2	YBHH16115	BOLT HEX, 1/2 X 3-1/2 G5
18	26	YWFL12005	WASHER FLAT , 3/8 G5
19	2	0227PI02	LATCH SPACER
20	1	0227WE07	LATCH LH
21	2	0227RU01	DOOR SEAL, BOTTOM
22	4	YBHH12035	BOLT HEX, 3/8 X 1-1/4 G5
23	12	YBHH12200	BOLT HEX, 3/8 X 5 G5
24	2	YNNY62005	NUT HEX, NYLON, INSERT LOCKNUT, #8-32
25	2	0227PL01	POLY BUMPER
26	2	SD190	GAS STRUT
27	1	0227WE05	DOOR RH
28	1	0227WE03	STAKE HINGE RH
29	1	0227WE08	LATCH RH
30	4	YBHH12110	BOLT HEX, 3/8 X 2-3/4 G5
31	2	BBS64	DOOR HINGE PIN
32	2	GD26	MALE BRANCH TEE, 1/4
33	2	GD7	VENT PLUG, 1/4 (CONE SHAPED)
34	1	0227MS03	CYLINDER TIE AIR LINE
35	2	HGV72	WIRE CLAMP, #12
36	2	YBHH08100	BOLT HEX, 1/4 X 3/4 G5
37	2	YNHX08005	NUT HEX, TOP LOCK, 1/4
38	1	0227MS02	WIRE LOOM
39	2	GD49	AIR CYLINDER, 2-1/2
40	1	0227WE02	STAKE HINGE LH
41	2	02273G05	DOOR SEAL HOLD DOWN
42	2	0227RU02	DOOR SEAL
43	48	YSDR66007	SCREW SELF DRILLING, 12 X 1-1/4

***MEANS NOT SHOWN**

FIGURE 18 GRAIN HOPPER KIT

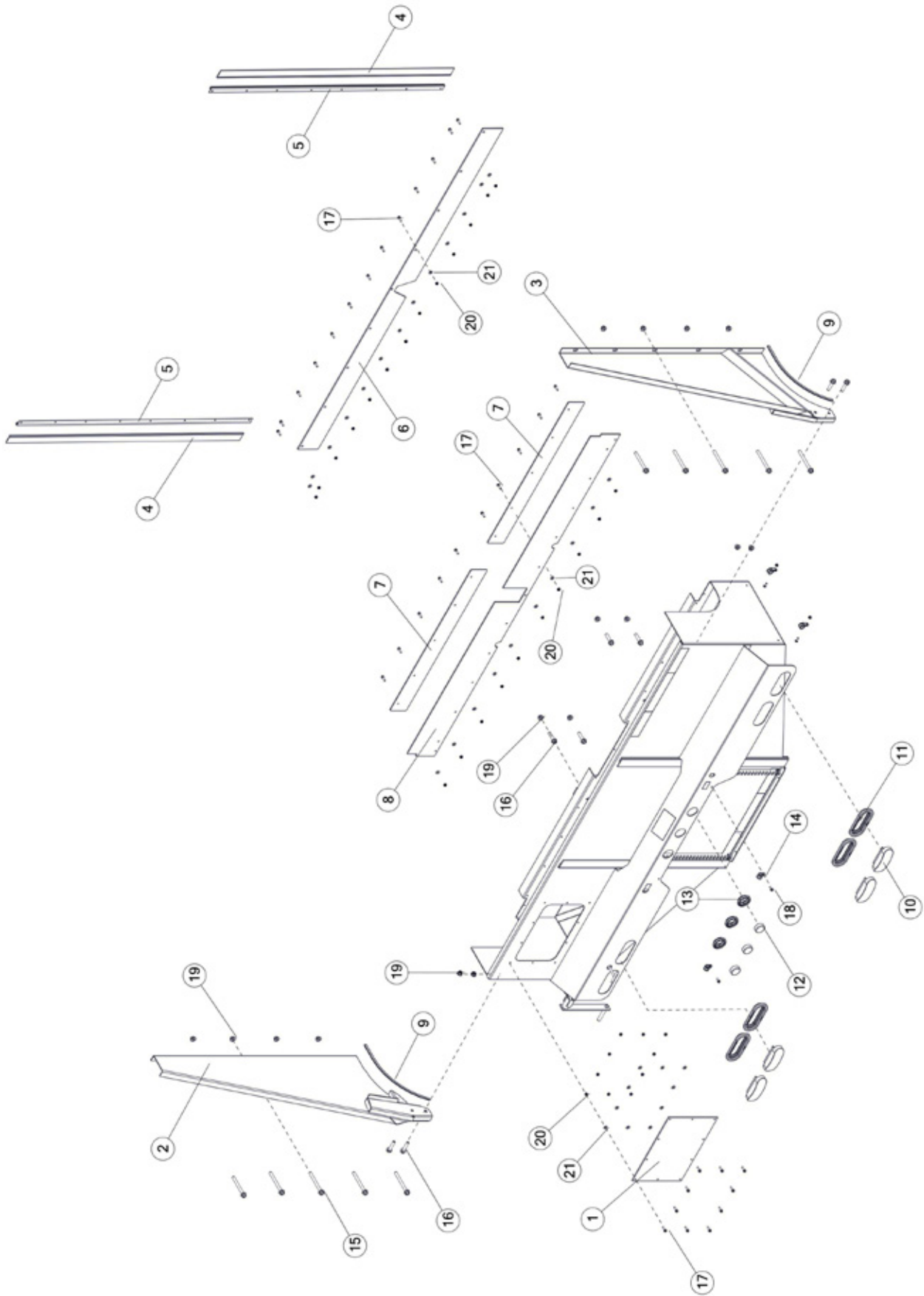


FIGURE 18

GRAIN HOPPER KIT

<u>ITEM</u>	<u>QTY</u>	<u>PART#</u>	<u>DESCRIPTION</u>
1	1	GH7	HOPPER WINDOW
2	1	82470	SIDE EXTENSION LH
3	1	82472	SIDE EXTENSION RH
4	2	0226MS04	BRUSH, LONG 2
5	2	0226MS01	BRUSH HOLDER, 1-1/4
6	1	BBS68	DOOR RUBBER
7	2	92159	HOPPER SEAL
8	1	0226RU02	HOPPER SEAL, UPPER
9	2	0226MS06	TRIMLOK 1/8 EDGE TRIM
10	4	S310	TAILLIGHT, OVAL RED STOP/TURN
11	4	S308	OVAL LIGHT GROMMET
12	3	BBS92	RED MARKER LIGHT, ROUND
13	3	BBS91	GROMMET LIGHT, ROUND
14	2	HGV162	RUBBER WIRE HOLDER, 1/2
15	10	YBFB16550	BOLT FLANGE, 1/2 X 5-1/2 G5
16	8	YBFB16225	BOLT FLG, 1/2 X 2-1/4 G5
17	33	YBFB08100	BOLT FLANGE, 1/4 X 1 G5
18	2	YBFB08075	BOLT FLANGE, 1/4 X 3/4 G5
19	18	YNFG16003	NUT FLANGE, 1/2 GF
20	33	YNFG08010	NUT FLANGE, 1/4 GF
21	33	YWFL08005	WASHER FLAT, 1/4

FIGURE 18
GRAIN HOPPER KIT

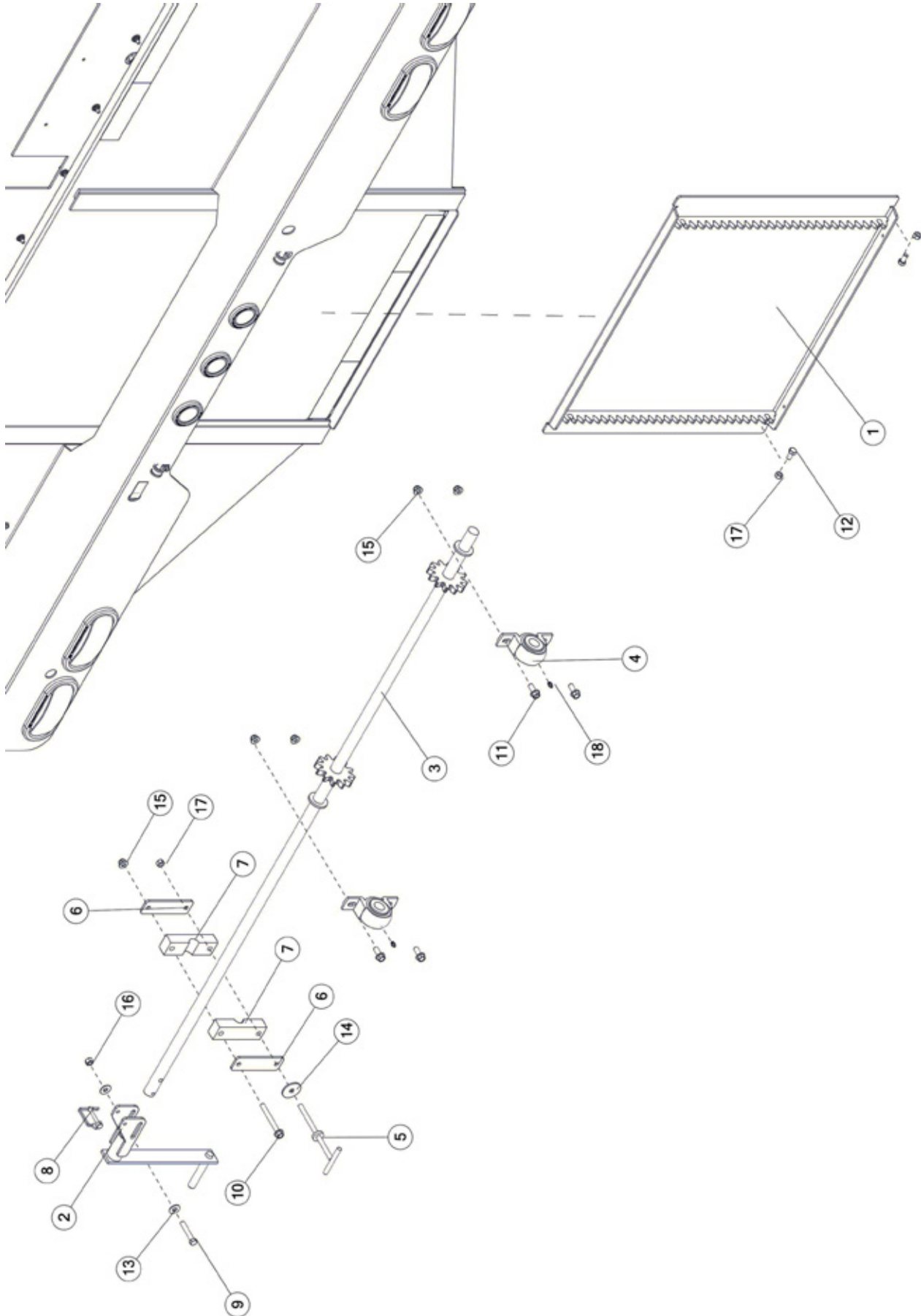


FIGURE 18

GRAIN HOPPER KIT

<u>ITEM</u>	<u>QTY</u>	<u>PART#</u>	<u>DESCRIPTION</u>
1	1	GH4	HOPPER DOOR, BACK
2	1	GH8	FOLDING CRANK
3	1	0226WE04	REAR DOOR DRIVE
4	2	80N22	BEARING, 1-1/4
5	1	GH11	DRAG INTENSITY HANDLE
6	2	GH10	DRAG BLOCK CLAMP
7	2	GH9	DRAG BLOCK
8	1	DWM324	SAFETY SNAP PIN
9	1	YBHH12100	BOLT HEX, 3/8 X 2-1/4 G5
10	1	YBFB12350	BOLT FLANGE, 3/8 X 3-1/2 G50
11	4	YBFB12003	BOLT FLANGE, 3/8 X 1 G5 ZC
12	2	YBHH12130	BOLT HEX, 3/8 X 3/4 G2
13	1	YWFL12005	WASHER FLAT , 3/8 G5
14	1	GH13	POLY WASHER
15	5	YNFG12006	NUT FLANGE, 3/8 GF
16	1	YNL12005	NUT HEX, TOP LOCK, 3/8
17	3	YNHX12005	NUT HEX, 3/8 G2
18	2	G89	STRAIGHT ZERK 1/4-28 X 90

FIGURE 19
HYDRAULIC FLOW CONTROL

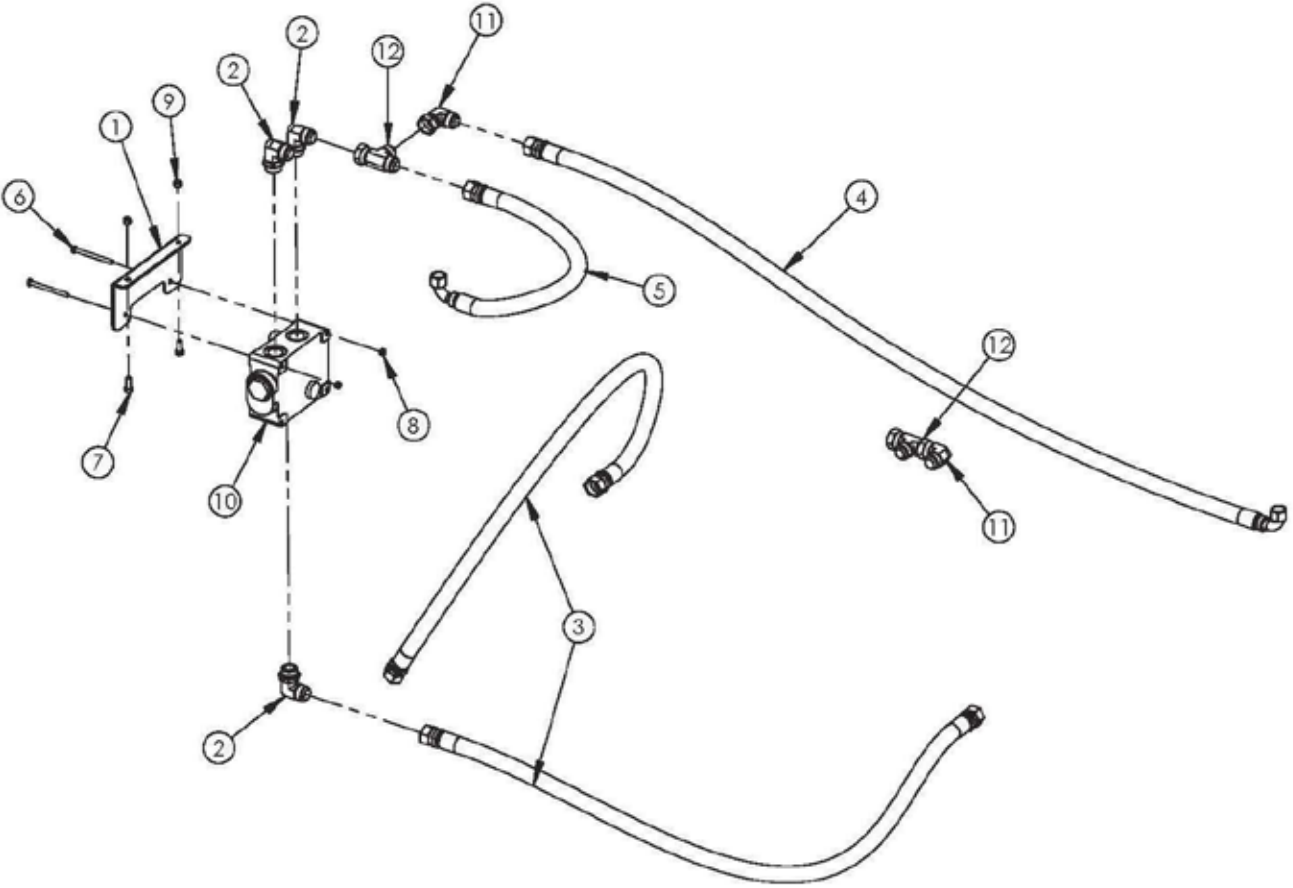


FIGURE 19

HYDRAULIC FLOW CONTROL

<u>ITEM</u>	<u>QTY</u>	<u>PART#</u>	<u>DESCRIPTION</u>
1	1	02266G02	FLOW CONTROL MOUNT
2	3	BBS52	ELBOW, STRAIGHT THREAD
3	2	BBSTMS24	HYD HOSE, MOTOR FLOW CONTROL, (65)
4	1	BBSTMS25	HYD HOSE, FLOW TO MOTOR, LONG
5	1	BBSTMS26	HYD HOSE, FLOW TO MOTOR, SHORT
6	2	YBHH10112	BOLT HEX, 5/16 X 3-3/4 G5
7	2	YBHH12010	BOLT HEX, 3/8 X 1 G5
8	2	YNHX10005	NUT HEX, 5/16
9	2	YNNY12005	NUT HEX, NYLON LOCKNUT, 3/8
10	1	BBS51	FLOW CONTROL
11	2	8021	SWIVEL NUT ELBOW
12	2	CHM182	SWIVEL NUT RUN TEE

FIGURE 20 CHASSIS MOUNT KIT

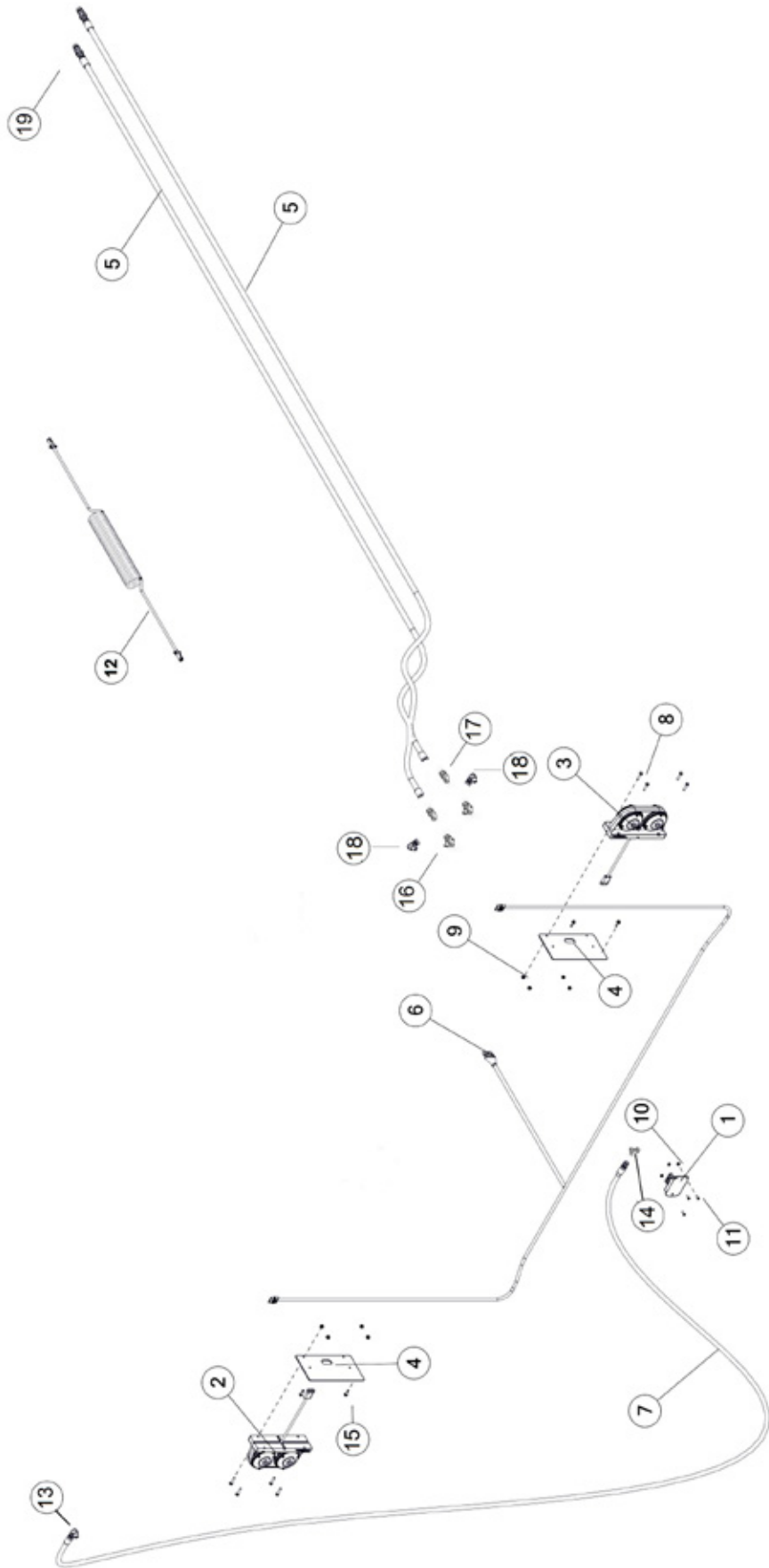


FIGURE 20

CHASSIS MOUNT KIT

<u>ITEM</u>	<u>QTY</u>	<u>PART#</u>	<u>DESCRIPTION</u>
1	1	69908	CONTROL BLINKER MODULE
2	1	77923	TAIL LIGHT LH
3	1	77924	TAIL LIGHT RH
4	2	86040	LIGHT BRACKET
5	4	90311	HYDRAULIC HOSE, 10 X 171
6	1	78360	BACK LIGHT HARNESS
7	2	78689	HYDRAULIC HOSE, 6 X 230
8	8	YBHH08035	BOLT HEX, 1/4 X 1-1/4 G5
9	8	YNFG08010	NUT FLANGE, 1/4
10	3	YNNY64005	NUT HEX
11	3	YSPN64005	SCREW PAN HEAD, 10-24 X 5/8
12	1	TLPC7	TRANSPORT LIGHT CORD 7 PIN
13	2	CHM164	FITTING, 90, 6JIC X 3/8NPT
14	1	58137	FITTING TEE, 6JIC,6JIC, 6JIC
15	4	YSHW10005	HWH TCS "F", 5/16-18 X 1
16	2	DWM114	FITTING TEE, 1NPT, 1NPT, 1NPT
17	2	83781	FITTING ST, 12 JIC, 1-11 NPT
18	2	90310	FITTING 90, 12JIC X 1NPT
19	4	DWM205	MALE QUICK COUPLER W/HYD TIP

FIGURE 21 SCREEN FILLER KIT

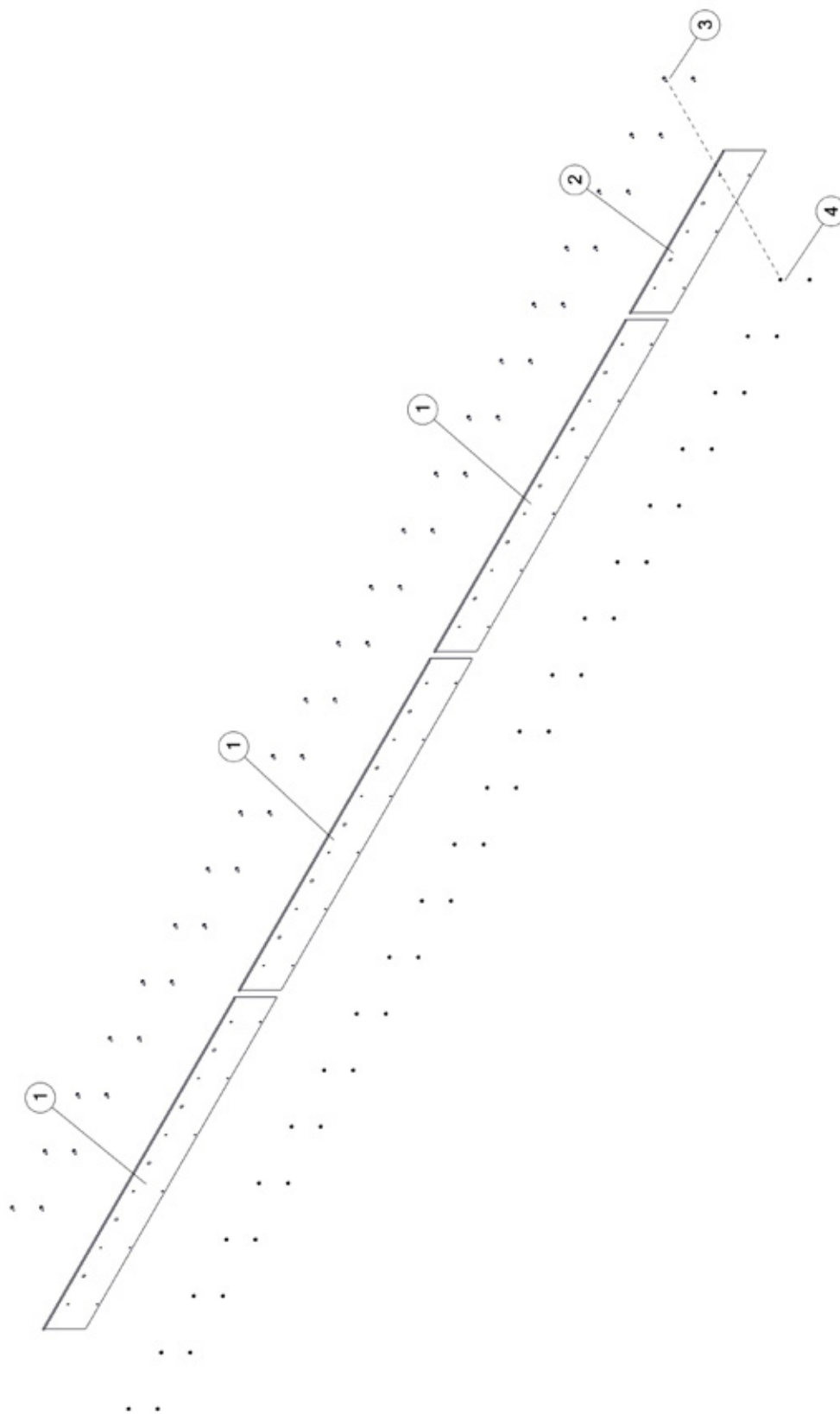


FIGURE 21
SCREEN FILLER KIT

<u>ITEM</u>	<u>QTY</u>	<u>PART#</u>	<u>DESCRIPTION</u>
1	3	82464	SCREEN COVER, BACK
2	1	82903	SCREEN COVER, BACK
3	42	YBFB10075	BOLT FLANGE, 5/16 X 3/4 G5
4	42	YNFG10005	NUT FLANGE, 5/16

FIGURE 22
ROOF HOOD

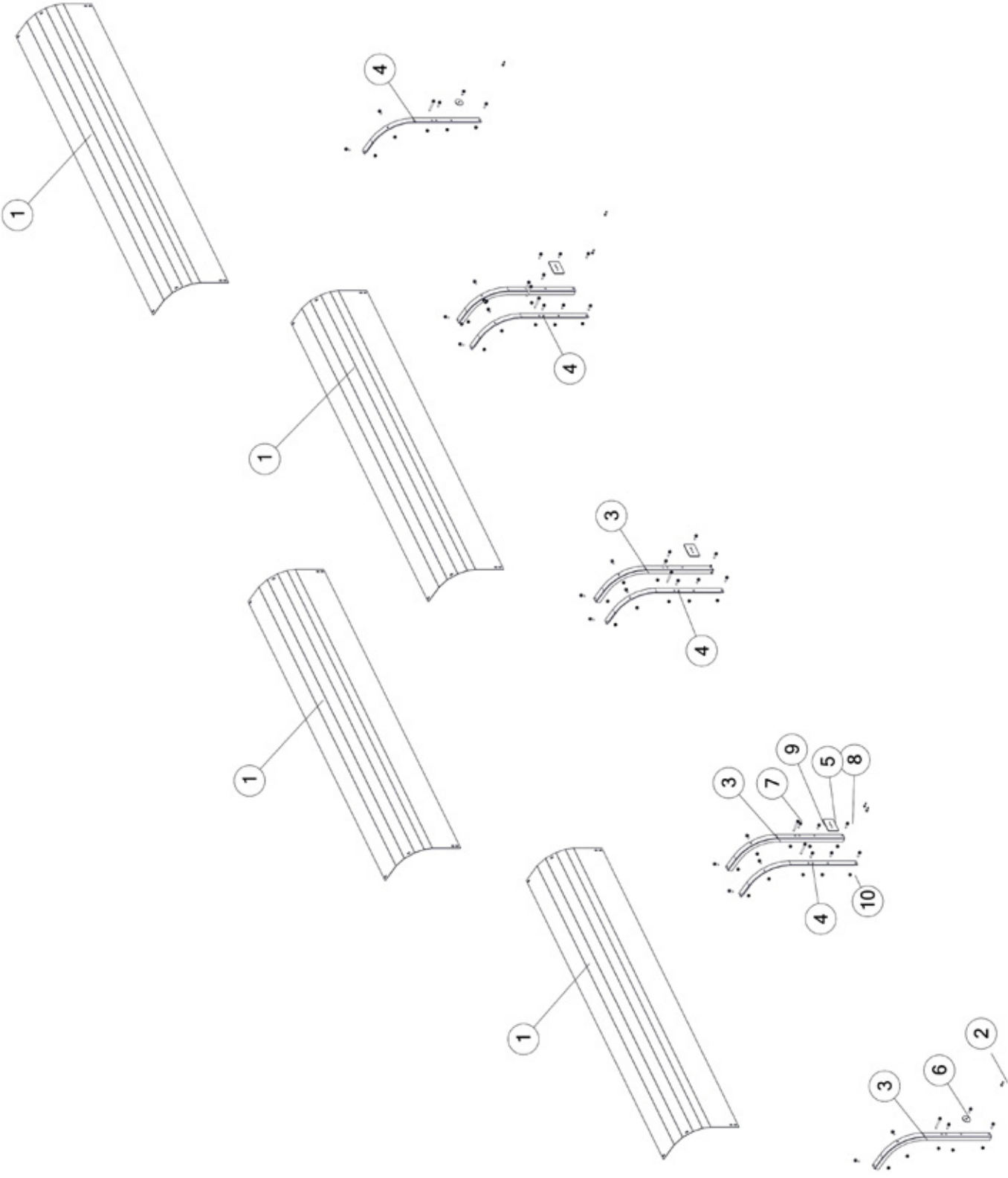


FIGURE 22 ROOF HOOD

<u>ITEM</u>	<u>QTY</u>	<u>PART#</u>	<u>DESCRIPTION</u>
1	4	86789	ROOF EDGE RADIUS
2	8	YSDR08005	SELF DRILLING SCREW, HEX WASHER HEAD, 1/4-14 X 1
3	4	86756	ROOF RADIUS SUPPORT LEFT
4	4	86755	ROOF RADIUS SUPPORT RIGHT
5	4	82969	ROOF HOOD SCREEN WASHER
6	2	YWCU12005	WASHER
7	9	YBFB10300	BOLT FLG, 5/16 X 3 G5
8	17	YBFB10125	BOLT FLG, 5/16 X 1-1/4 G5
9	26	YBFB10001	BOLT FLG, 5/16 X 1 G5
10	43	YNFG10005	NUT FLG, 5/16 GF

FIGURE 23 **ELECTRIC DRIVE FLIP TARP**

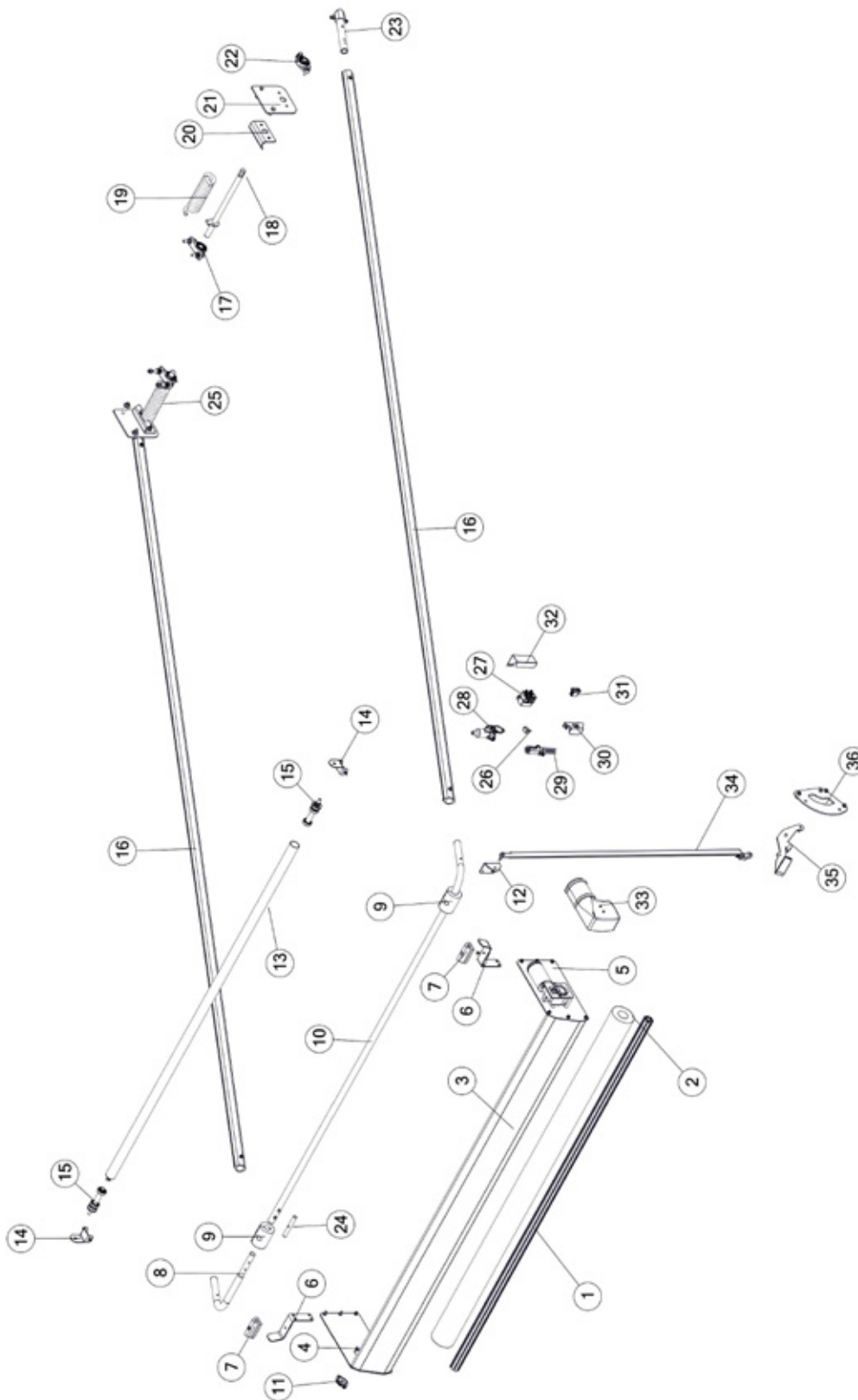


FIGURE 23

ELECTRIC DRIVE FLIP TARP

<u>ITEM</u>	<u>QTY</u>	<u>PART#</u>	<u>DESCRIPTION</u>
1	1	80056	THREADED TARP AXLE
2	1	80361	SHUR-MATIC ARM TARP, 40 X 94
3	1	80057	ALUMINUM WINDSHIELD
4	1	80055	TARP AXLE SIDE PLATE RH
5	1	80054	TARP AXLE SIDE PLATE LH
6	2	80065	ALUMINUM PIVOT ARM REST BRACKET
7	2	80066	RUBBER BUMPER
8	1	80082	TARP TUBE ELBOW
9	2	80085	RUBBER BUMPERS, 3-1/4 X 4-1/2
10	1	80083	TARP TUBE CROSSOVER
11	1	80113	RADIAL BALL BEARING W/FLANGES
12	1	78505	UPPER ATTACH BRACKET
13	1	80068	ROLLER GUIDE TUBE
14	2	80069	TARP ROLLER GUIDE BRACKET
15	2	80070	TARP ROLLER GUIDE BEARING ASSEMBLY
16	2	80052	ALUMINUM RETURN ARM
17	2	80046	PILLOW BLOCK BEARING, 1
18	2	80049	SPRING SHAFT
19	1	80050	TORSION SPRING
20	2	80044	SPRING RETAINER BRACKET
21	2	80042	DROP PLATE
22	2	80045	FLANGE BEARING 1 ID
23	2	80081	POLISHED HEX PIVOT CASTING, 7/8
24	1	80064	TARP AXLE STUB SHAFT
25	1	80043	TORSION SPRING
26	1	80378	50-AMP AUTO-RESET CIRCUIT BREAKER
27	1	80403	MOTOR REVERSING SOLENOID
28	1	80402	DUAL-CONDUCTOR SOCKET W/ BOOT
29	1	80390	HEAVY-DUTY DUAL-CONDUCTOR PLUG
30	1	80376	ROCKER SWITCH MOUNTING BRACKET
31	1	80377	ROCKER SWITCH
32	1	80375	SOLENOID COVER
33	1	80058	DURABUILT MOTOR W/ COVER, 3-1/8
34	1	78488	FOLD DOWN LINKAGE
35	1	78009	SPRING RETAIN LEVER
36	1	78012	VARIABLE STOP DOUBLER

FIGURE 24
OPTIONAL ELECTRIC ACTUATOR CONTROL FLIP DOWN

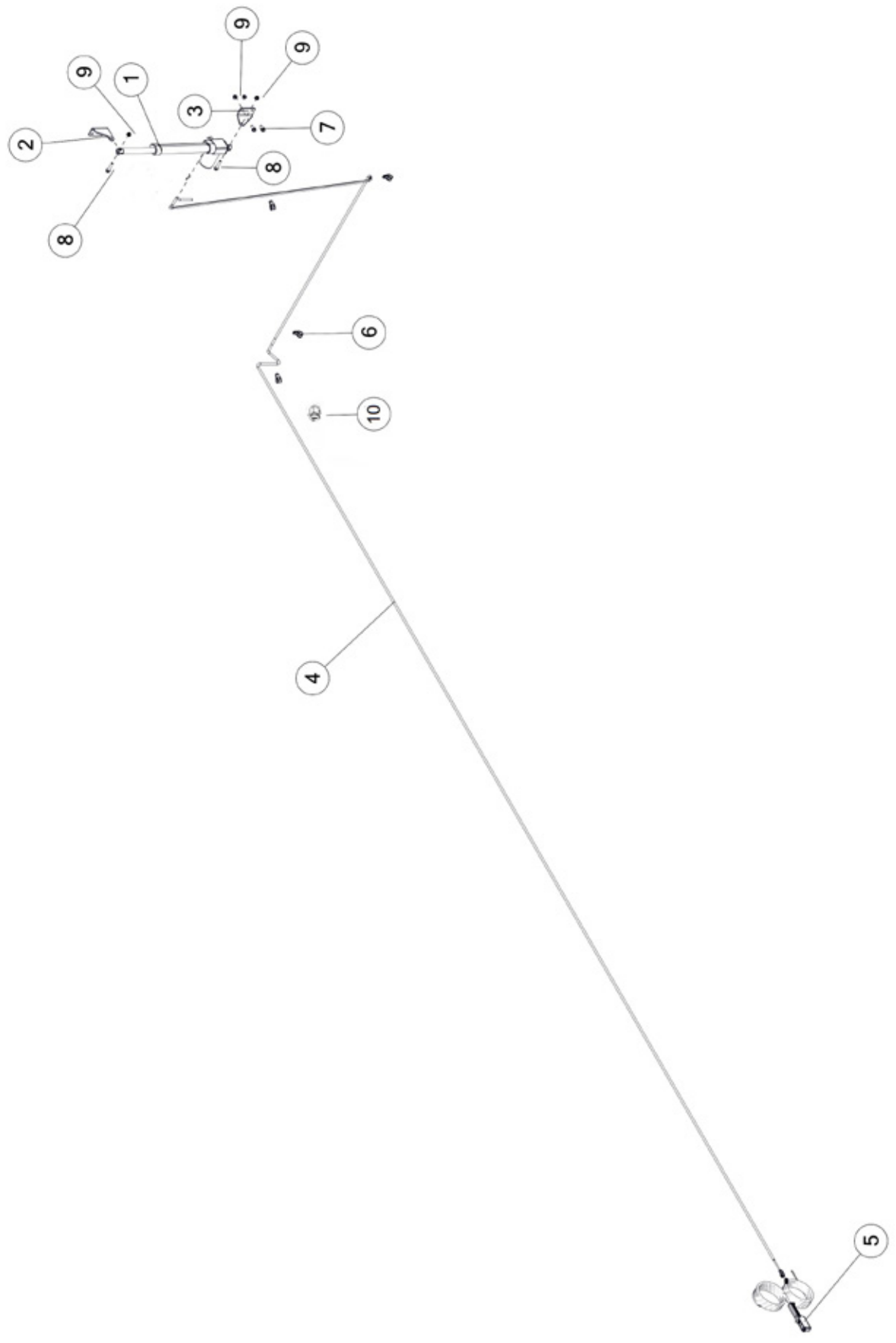


FIGURE 24
OPTIONAL ELECTRIC ACTUATOR CONTROL FLIP DOWN

<u>ITEM</u>	<u>QTY</u>	<u>PART#</u>	<u>DESCRIPTION</u>
1	1	82894	LINEAR ACTUATOR
2	1	80885	ACTUATOR MOUNT BRACKET
3	1	80888	ACTUATOR MOUNT BRACKET
4	1	82932	WIRE WITH DEUTSCH CONNECTIONS
5	1	89807	HAND CONTROLLER, (ON)-OFF-(ON)
6	4	87705	CUSHION WIRE CLAMP, 3/8
7	2	YBFB12003	BOLT FLANGE, 3/8 X 1 G5
8	2	YBFB12200	BOLT FLANGE, 3/8 X 2 G5
9	4	YNFG12006	NUT FLANGE, 3/8
10	1	GD23	STRAIN RELIEF CONNECTOR

FIGURE 25
ELECTRIC SIDE-TO-SIDE TARP OPTION

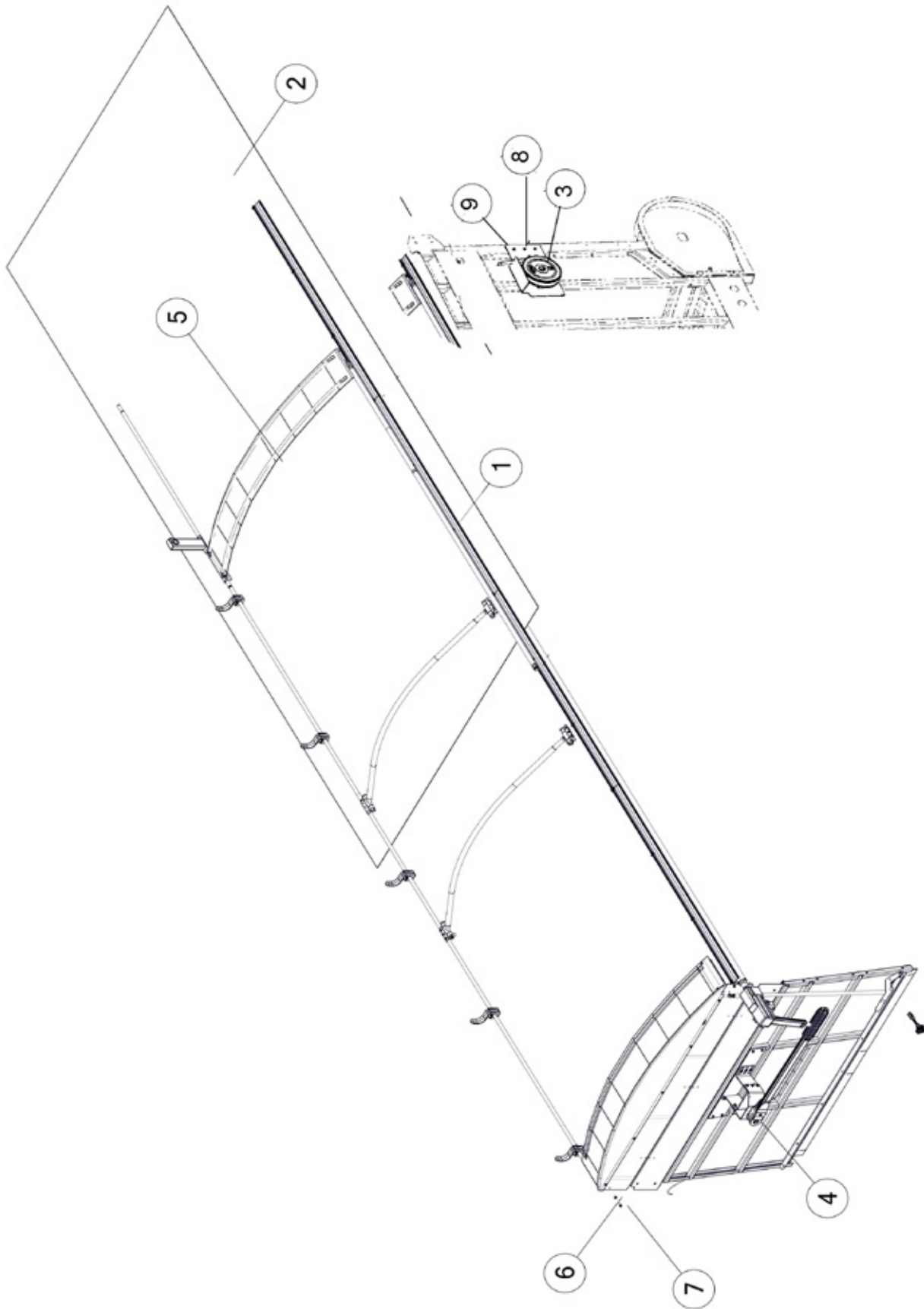


FIGURE 25
ELECTRIC SIDE-TO-SIDE TARP OPTION

<u>ITEM</u>	<u>QTY</u>	<u>PART#</u>	<u>DESCRIPTION</u>
1	2	85908	PIPE KIT, 16 FT
2	1	86027	TARP, 30 FT
3	1	92726	TARP RETURN (ROLL-RITE)
4	1	85770	ROCKER ARM KIT
5	1	86034	MAIN KIT
6	2	YNFG12006	NUT FLANGE, 3/8
7	2	YBFB12003	BOLT FLANGE, 3/8 X 1
8	1	YSHW10005	HWH TCS "F", 5/16-18 X 1
9	1	89901	TARP SPRING BRACKET (ROLL-RITE)

FIGURE 25
SHUR-CO ELECTRIC SIDE-TO-SIDE TARP OPTION
MAIN KIT

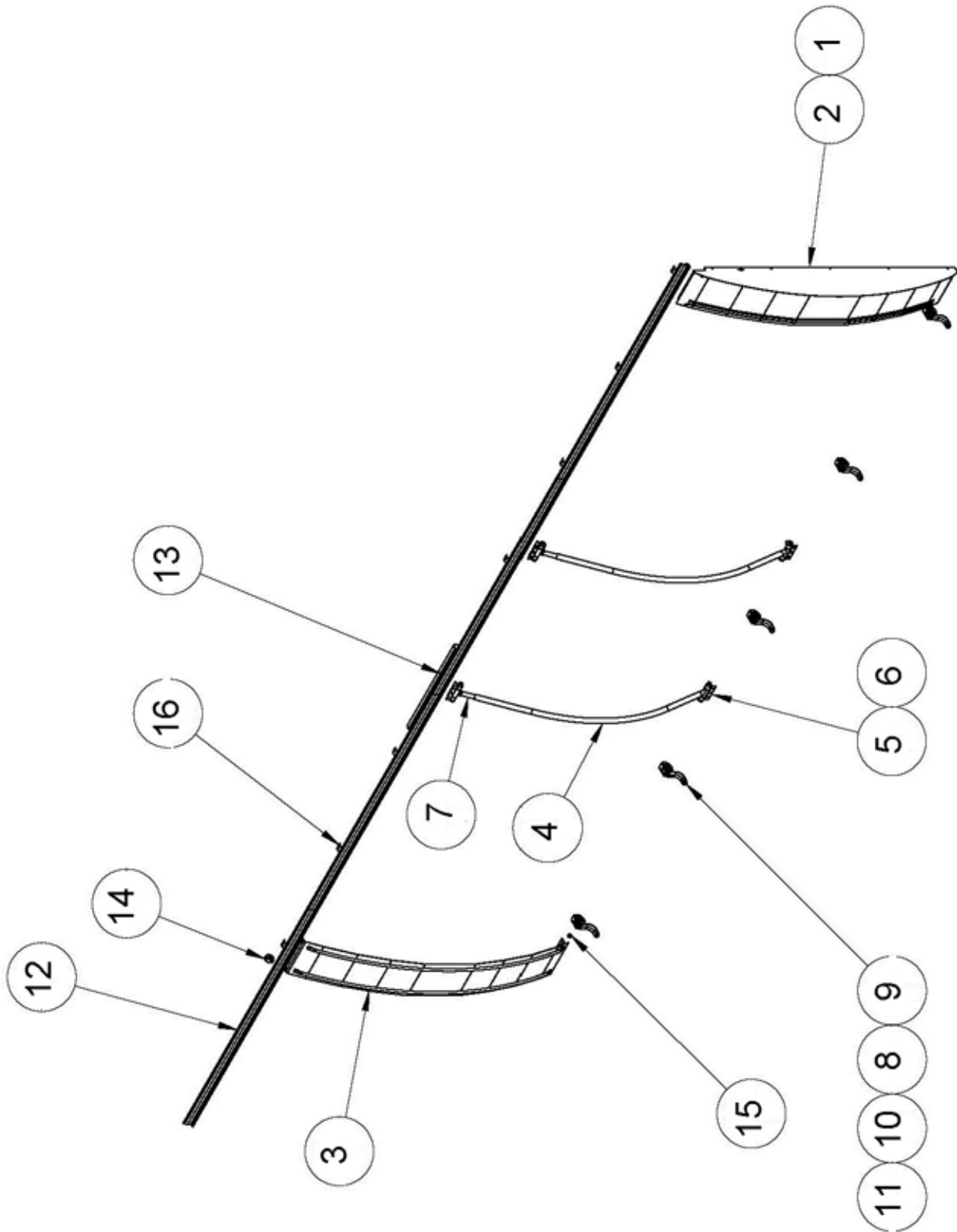


FIGURE 25
SHUR-CO ELECTRIC SIDE-TO-SIDE TARP OPTION
MAIN KIT

<u>ITEM</u>	<u>QTY</u>	<u>PART#</u>	<u>DESCRIPTION</u>
1	2	85737	FRONT CAP BRACKET
2	1	85738	FRONT CAP
3	1	85739	REAR END CAP
4	2	85741	HIGH RISE BOW
5	4	85742	BOW BRACKET
6	4	85743	BOW PIN
7	2	85745	BOW SHANKS
8	5	85948	SIDE MOUNT LATCH PLATE
9	5	85945	TARP STOP UPRIGHT
10	10	85946	CLEVIS PIN
11	10	85947	BOWTIE COTTER PIN
12	4	85748	SIDE MOUNT LATCH PLATE
13	1	85751	ROLL TARP TUBE SPLICE
14	1	85756	ROLL TUBE END CAP
15	2	86005	PLASTIC END PLUG
16	8	86006	PLASTIC U-CLAMP
*	1	86034	MAIN KIT

FIGURE 25
SHUR-CO ELECTRIC SIDE-TO-SIDE TARP OPTION
HD ROCKER ARM KIT

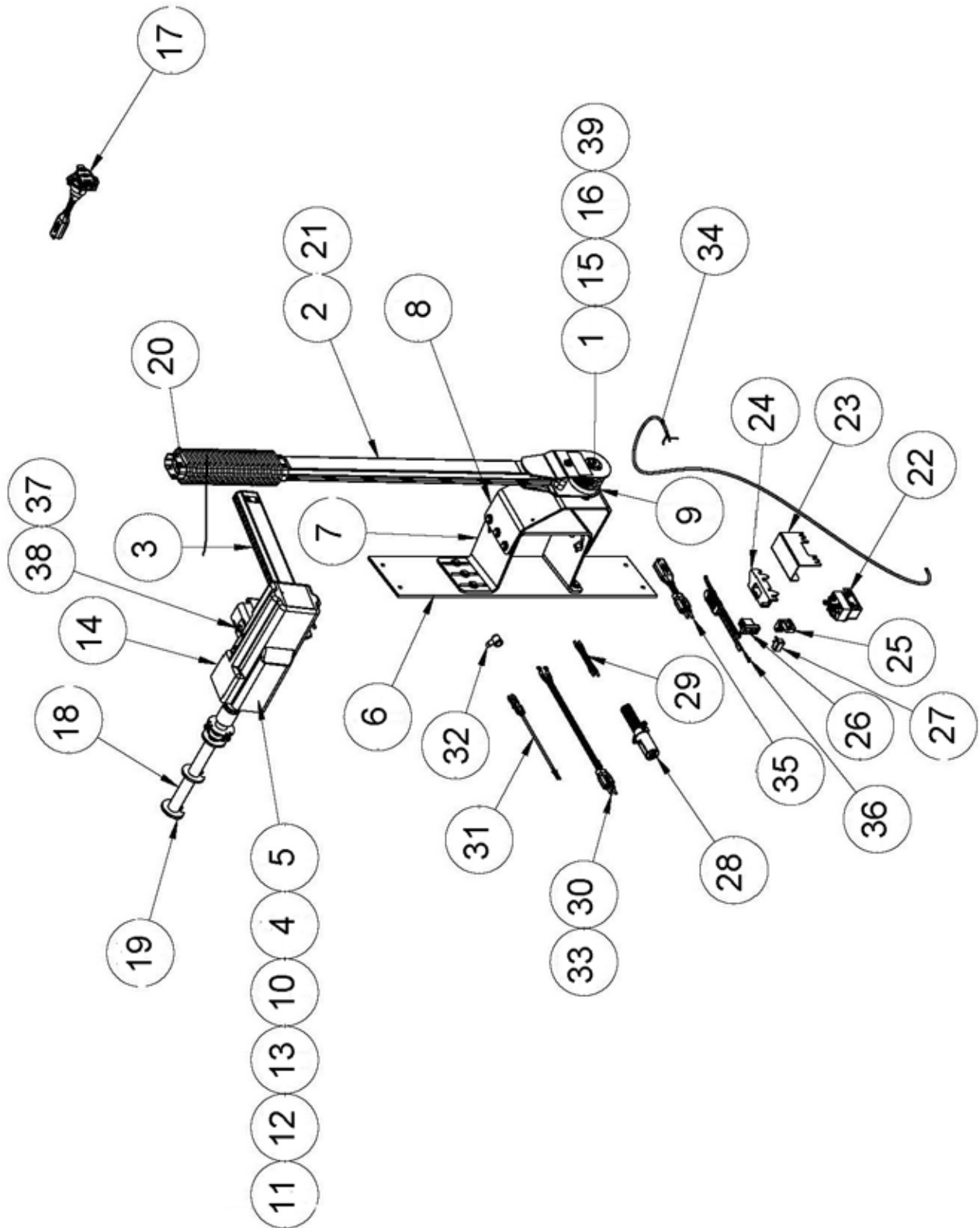


FIGURE 25
SHUR-CO ELECTRIC SIDE-TO-SIDE TARP OPTION
HD ROCKER ARM KIT

<u>ITEM</u>	<u>QTY</u>	<u>PART#</u>	<u>DESCRIPTION</u>
1	1	85757	PIVOT PIN
2	1	85758	LOWER TARP PIVOT ARM
3	1	85763	UPPER ROLL TARP PIVOT ARM
4	2	85764	SPACER
5	1	85760	ELECTRIC TARP MOTOR
6	1	85769	PIVOT BACKER PLATE
7	1	85771	PIVOT BRACKET
8	1	85772	SLOPED PIVOT BRACKET
9	4	85773	TORSION SPRING
10	1	85949	MOTOR MOUNT BEARING RETAINER
11	4	85776	SPACER
12	1	85777	DRIVE SHAFT WASHER
13	4	85778	BEARING
14	1	85780	MOTOR COVER
15	2	85781	PIVOT SPACER
16	1	71564	SNAP RING
17	1	85786	POWER RECEPTACLE
18	1	85755	ROLL TUBE DRIVE SHAFT
19	1	85754	WEDGE CLAMP
20	1	85963	REPLACEMENT FLEX ARM JOINT
21	2	85951	CAP PLUG W/HOLE
22	1	80403	MOTOR REVERSING SOLENOID
23	1	80375	SOLENOID COVER
24	1	80376	ROCKER SWITCH MOUNTING BRACKET
25	1	85957	CIRCUIT BREAKER BOOT - RED
26	1	80377	ROCKER SWITCH
27	1	85959	MODIFIED RESET CIRCUIT BREAKER
28	1	80390	HEAVY DUTY DUAL CONDUCTOR PLUG
29	1	85958	DUAL CONDUCTOR WIRE
30	1	85956	SMARTWIRE, 6 GA, PLUG X 1/4 TERMINAL X 10'9
31	1	85955	SMARTWIRE, ENCODER WIRE
32	1	85954	RUBBER INSULATING BOOT
33	1	85961	HARNESS LOCK PIN, 1/4
34	1	86004	ELECTRICAL WIRE, 14 GA LEAD 15FT
35	1	86003	SMARTWIRE, 6GA, MALE X FEMALE, 4FT
36	1	86007	SMART CIRCUIT BREAKER KIT, 50 AMP
37	1	85762	TARP MOTOR BRACKET
38	2	86031	SHOULDER BOLT, 3/8 X 1/2
39	1	85782	PIVOT WASHER
*	1	85770	ROCKER ARM KIT, 4500HD

FIGURE 25
SHUR-CO ELECTRIC SIDE-TO-SIDE TARP OPTION
PIPE KIT

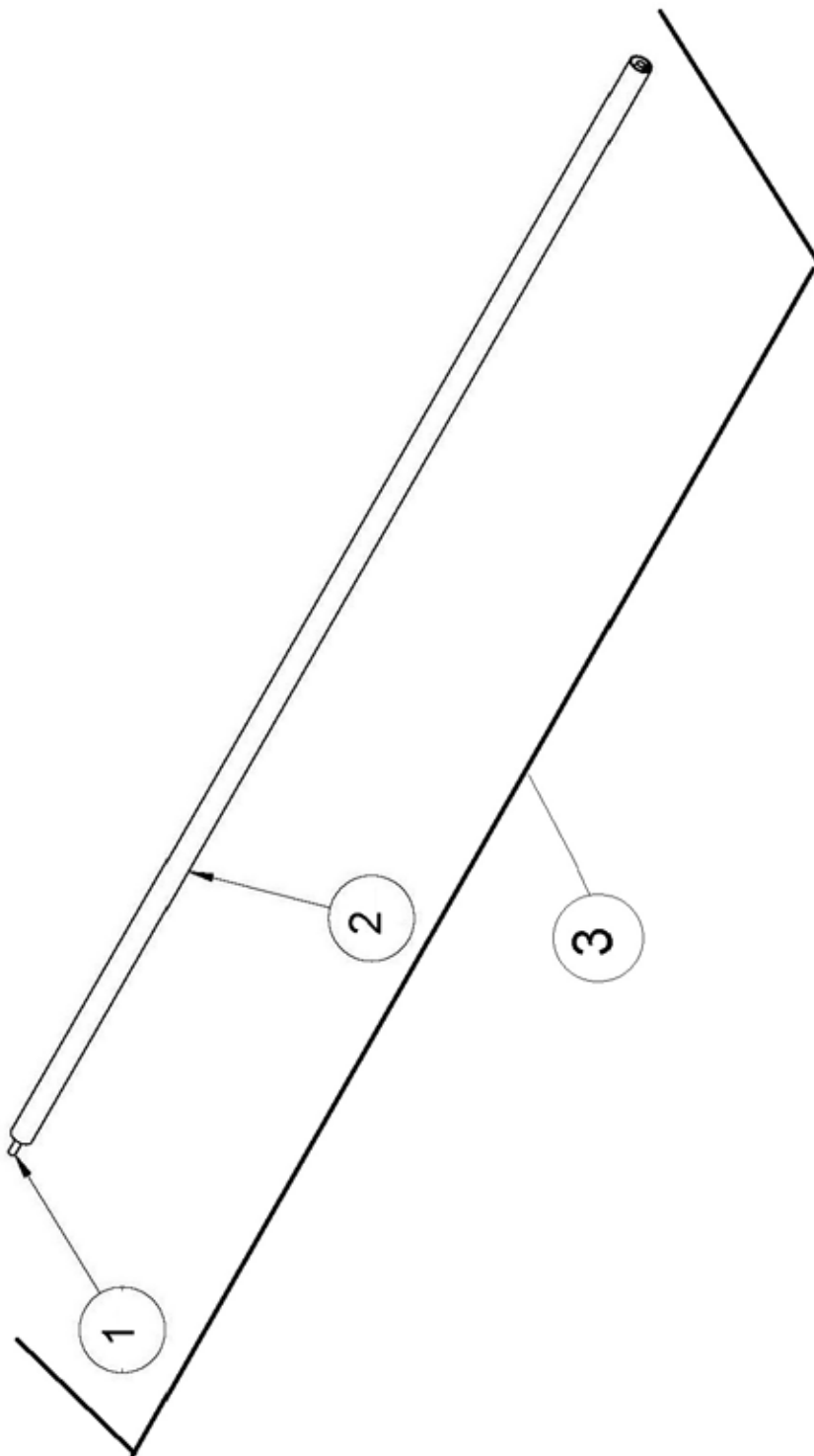


FIGURE 25
SHUR-CO ELECTRIC SIDE-TO-SIDE TARP OPTION
PIPE KIT

<u>ITEM</u>	<u>QTY</u>	<u>PART#</u>	<u>DESCRIPTION</u>
1	1	85752	TUBING
2	1	85749	ROLL TARP TUBING
3	1	85908	PIPE KIT, 16FT

CHANGE NOTES

H&S MFG. CO.

products approved

for the

FEMA

SEAL OF QUALITY



Manufactured by:

H&S MANUFACTURING CO., INC.

2608 S. HUME AVE. MARSHFIELD, WI 54449

(715) 387-3414 | hsmfgco.com

