



BD1226
BIG DOG
FORAGE BOX
PARTS BOOK

Part #94488 HSMFG011723 Rev. #00 Starting Ser. # 322BD26001

STRONG HERITAGE - STRONG PEOPLE - STRONGER FUTURE



INSTRUCTIONS FOR ORDERING PARTS

All service parts should be ordered through your authorized H&S dealer. Your Dealership will be able to give you faster service if you will provide them with the following:

1. All references to left or right apply to the machine as viewed from the rear.
2. Parts should not be ordered from illustration only. Please order complete part number.
3. If your dealer has to order parts, give shipping instructions:

VIA truck - large pieces (please specify local truck lines)

VIA United Parcel Service (include full address)

H&S MFG. CO. INC.	
MARSHFIELD, WIS.	
MOD. NO.	<input type="text"/>
SER. NO.	<input type="text"/>
DESCR.	<input type="text"/>

PLEASE RECORD NUMBERS FOR YOUR UNIT FOR QUICK REFERENCE

H&S IS CONTINUALLY STRIVING TO IMPROVE ITS PRODUCTS

We must, therefore, reserve the right to make improvements or changes whenever it becomes practical to do so, without incurring any obligation to make changes or additions to the equipment previously sold.





FIGURE 1
RH SIDE EXTENSION PANELS

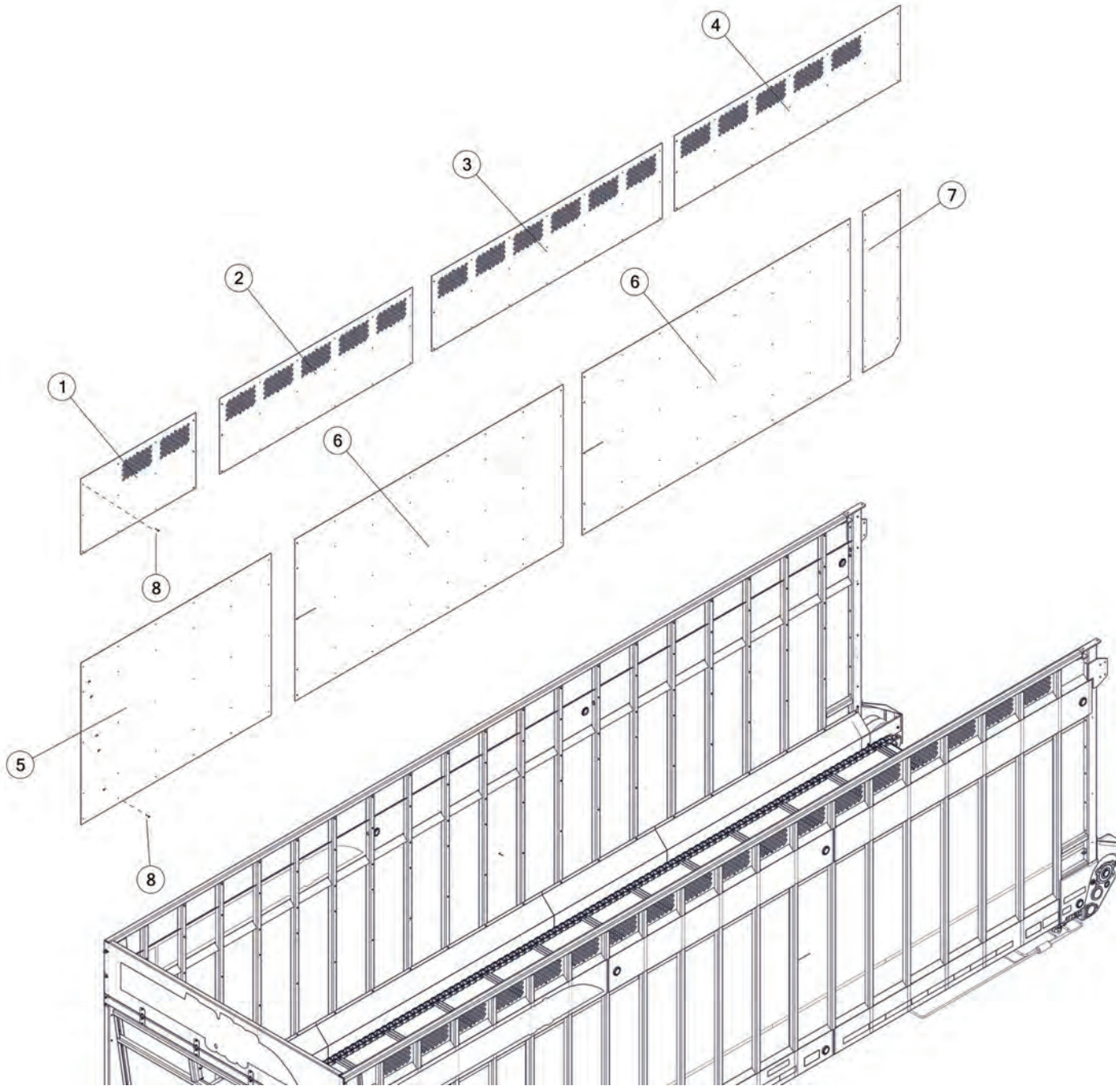




FIGURE 2 LH SIDE EXTENSION PANELS

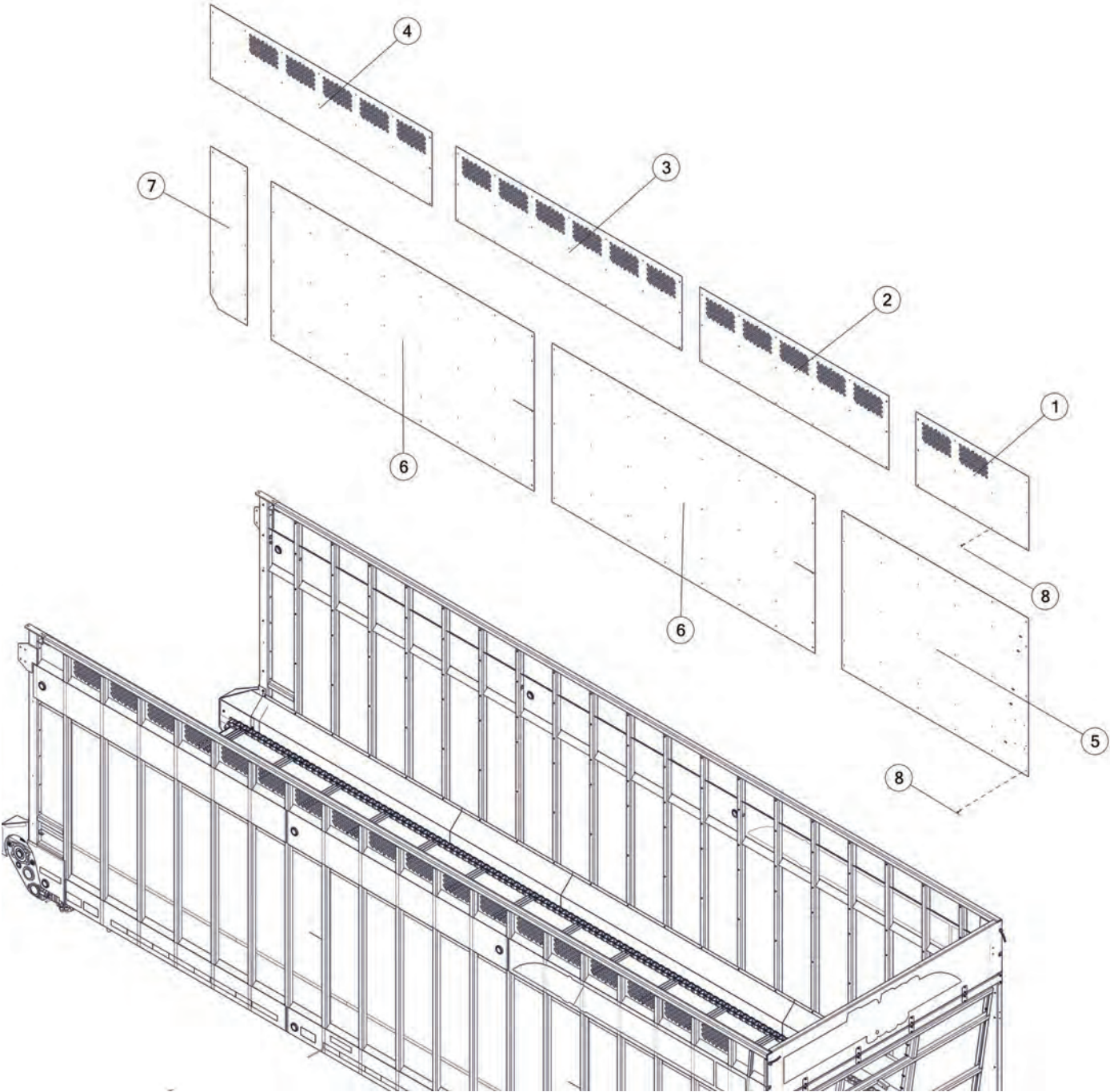




FIGURE 3
FRONT PANEL W/ WINDOW

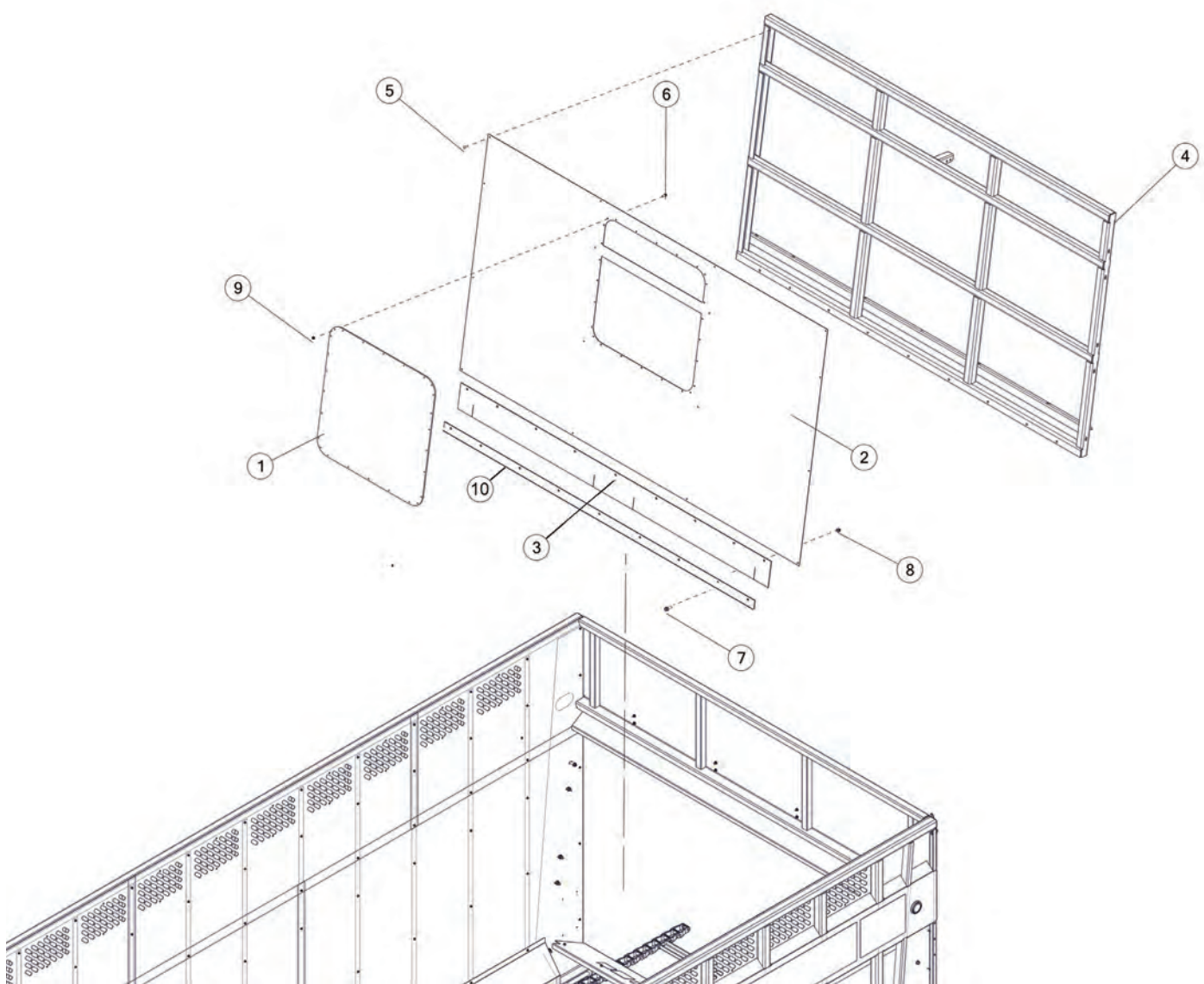




FIGURE 3

FRONT PANEL W/ WINDOW

REF #	PART #	DESCRIPTION	QTY
1	88713	LARGE WINDOW W/HOLES	1
2	88718	FRONT PANEL	1
3	94473	FRONT SEAL RUBBER	1
4	94474	FRAME, FRONT WALL	1
5	YSDR66007	SCREW SELF DRILLING, 12 X 1-1/4	16
6	YBFB08075	BOLT FLANGE, 1/4 X 3/4 G5	26
7	YBFB12125	BOLT FLANGE, 3/8 X 1-1/4 G5	9
8	YNFG12006	NUT FLANGE, 3/8 GF	9
9	YNFG08010	NUT FLANGE, 1/4 GF	26
10	94633	RUBBER STRAP, FRONT	1





FIGURE 4 FRONT PANEL AND COMPONENTS

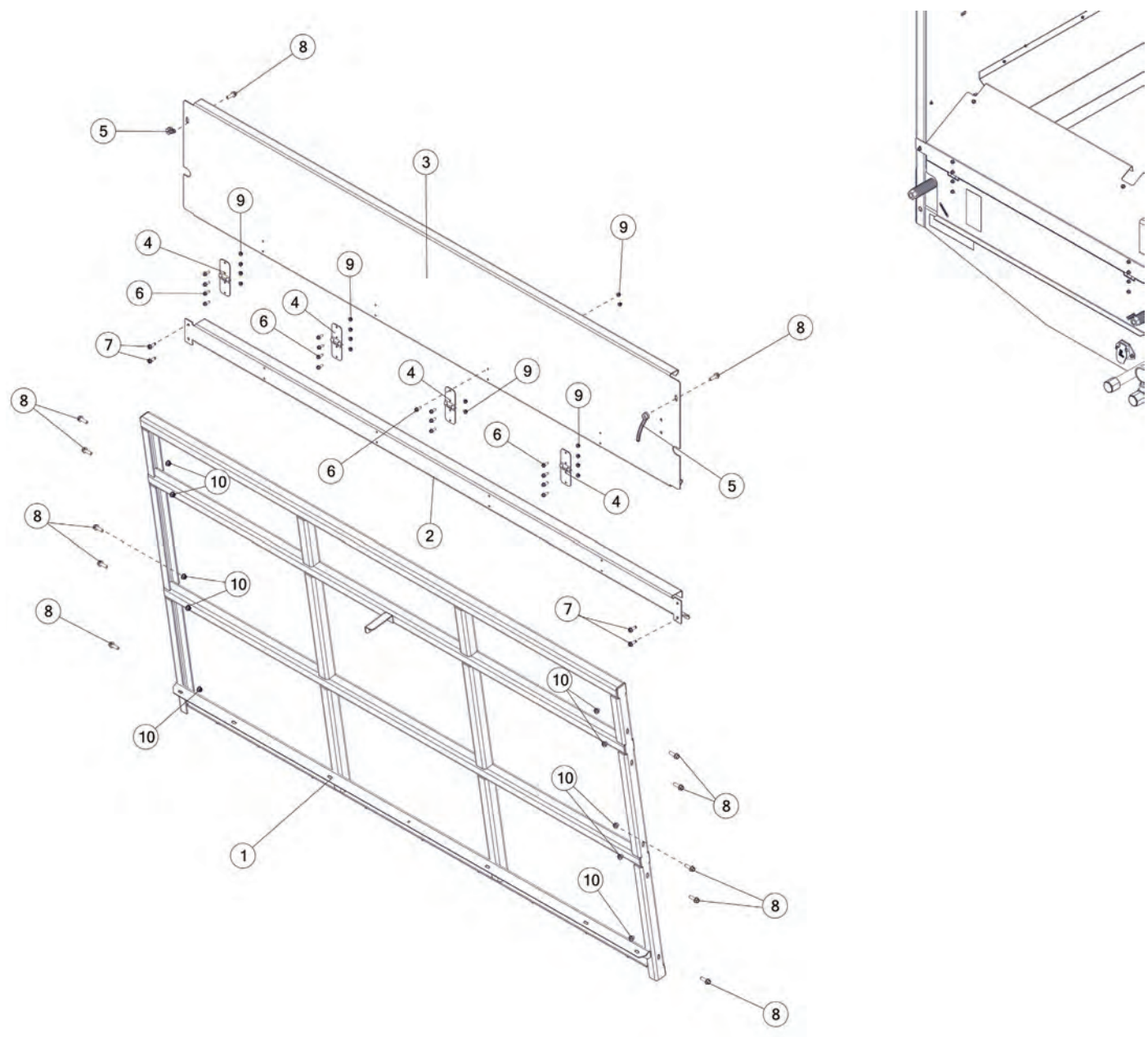




FIGURE 4
FRONT PANEL AND COMPONENTS

REF #	PART #	DESCRIPTION	QTY
1	94474	FRAME, FRONT WALL	1
2	94445	FRONT PANEL UPPER	1
3	94446	UPPER PANEL	1
4	82134	HINGE	4
5	S192	HANDLE NUT	2
6	YBFB08075	BOLT FLANGE, 1/4 X 3/4 G5	16
7	YSHW10005	THREAD CUTTING SCREW, 5/16 X 1	4
8	YBFB12125	BOLT FLANGE, 3/8 X 1-1/4 G5	10
9	YNFG08010	NUT FLANGE, 1/4 GF	16
10	YNFG12006	NUT FLANGE, 3/8 GF	10



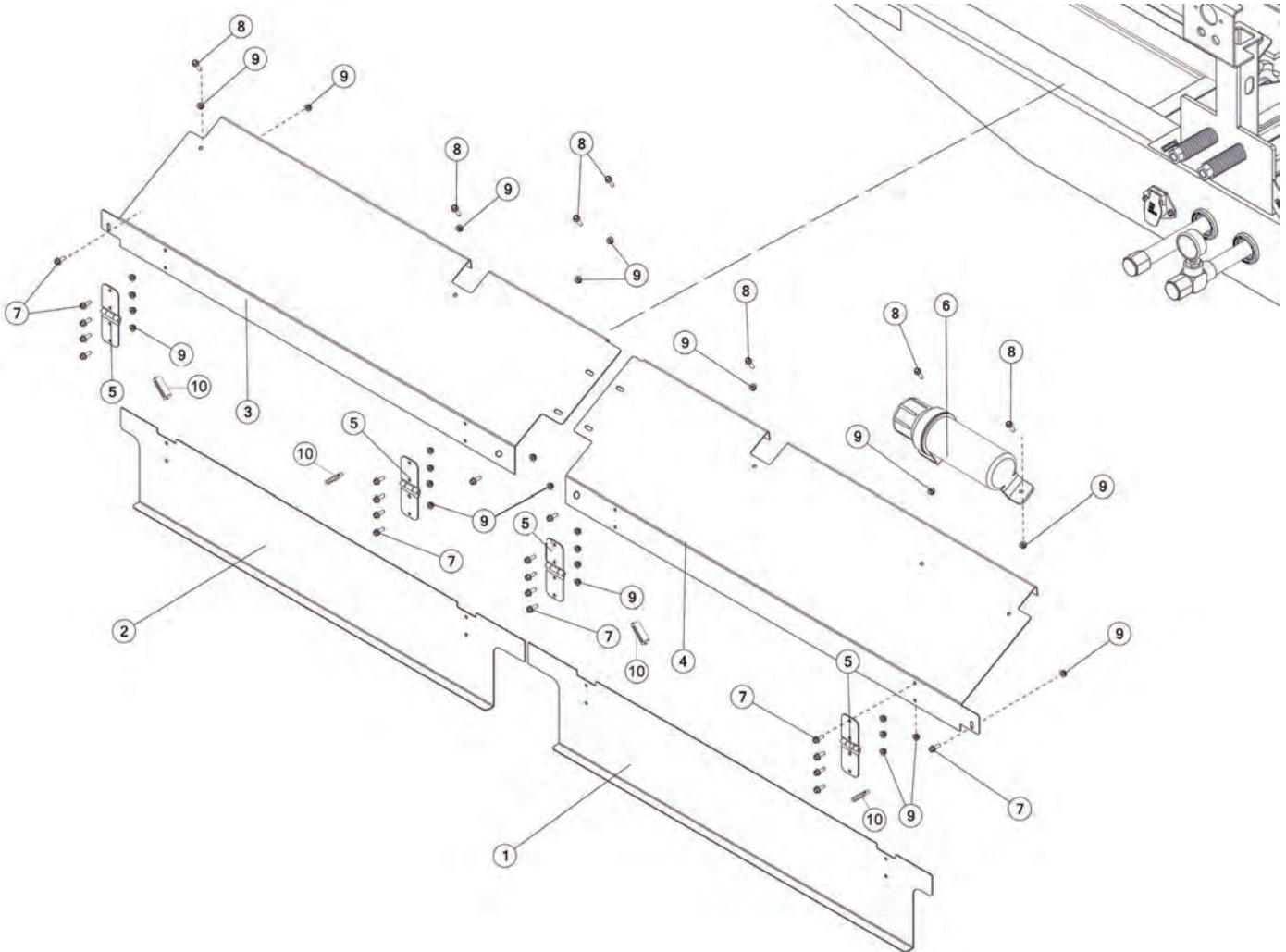




FIGURE 5

FRONT SHIELDS AND COMPONENTS

REF #	PART #	DESCRIPTION	QTY
1	94470B	SHIELD W/DECALS, RH FRONT	1
2	94453B	SHIELD W/DECALS, LH FRONT	1
3	94467	FRONT SHIELD	1
4	94468B	FRONT SHIELD SLANT W/DECALS, LH	1
5	82134	HINGE	4
6	S522	MANUAL HOLDER	1
7	YBFB08075	BOLT FLANGE, 1/4 X 3/4 G5	20
8	YBFB08100	BOLT FLANGE, 1/4 X 1 G5	7
9	YNFG08010	NUT FLANGE, 1/4 GF	27
10	82222	MAGNET, 14 LB	4



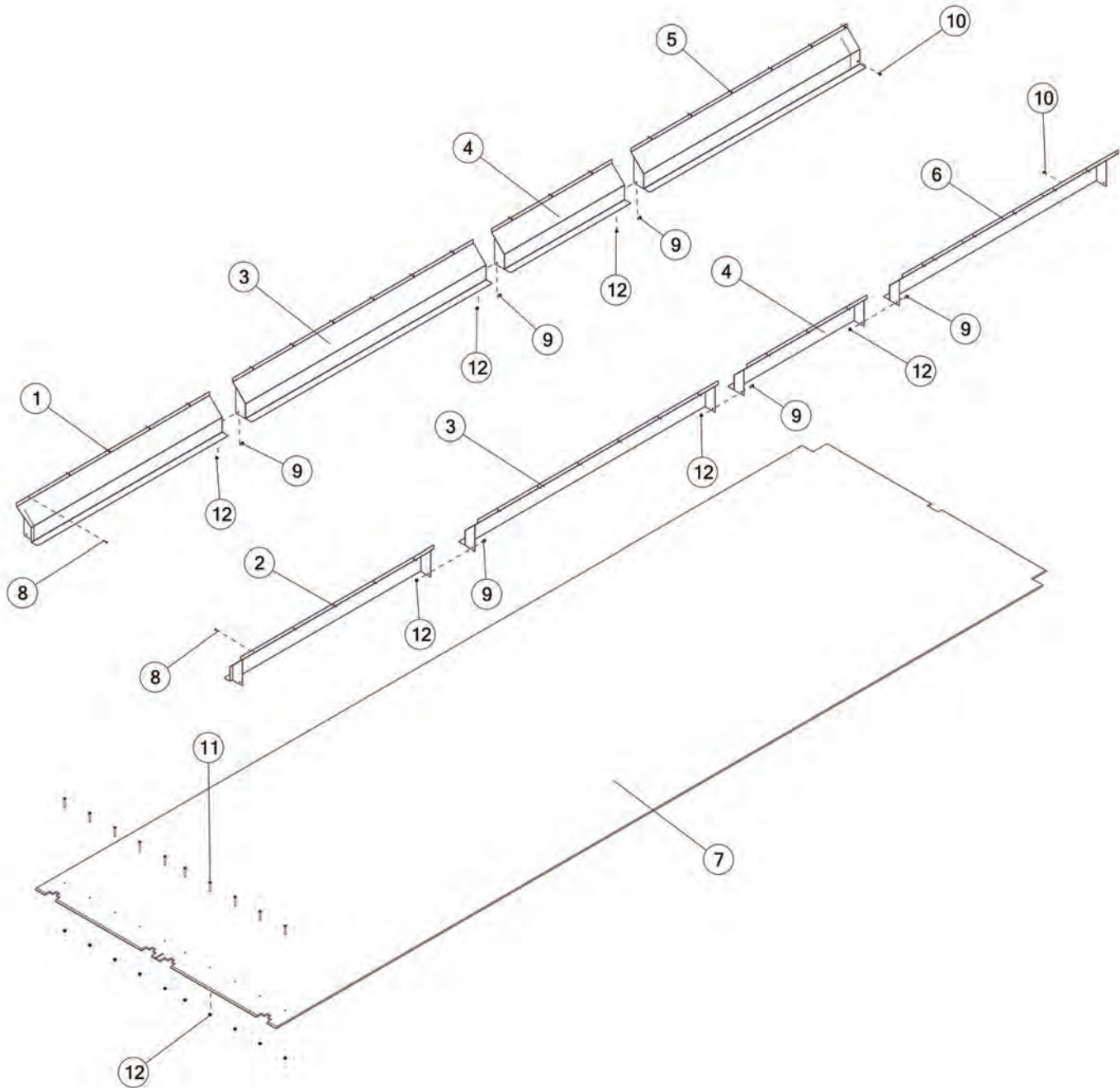




FIGURE 6

FLOOR HOLD DOWNS AND COMPONENTS

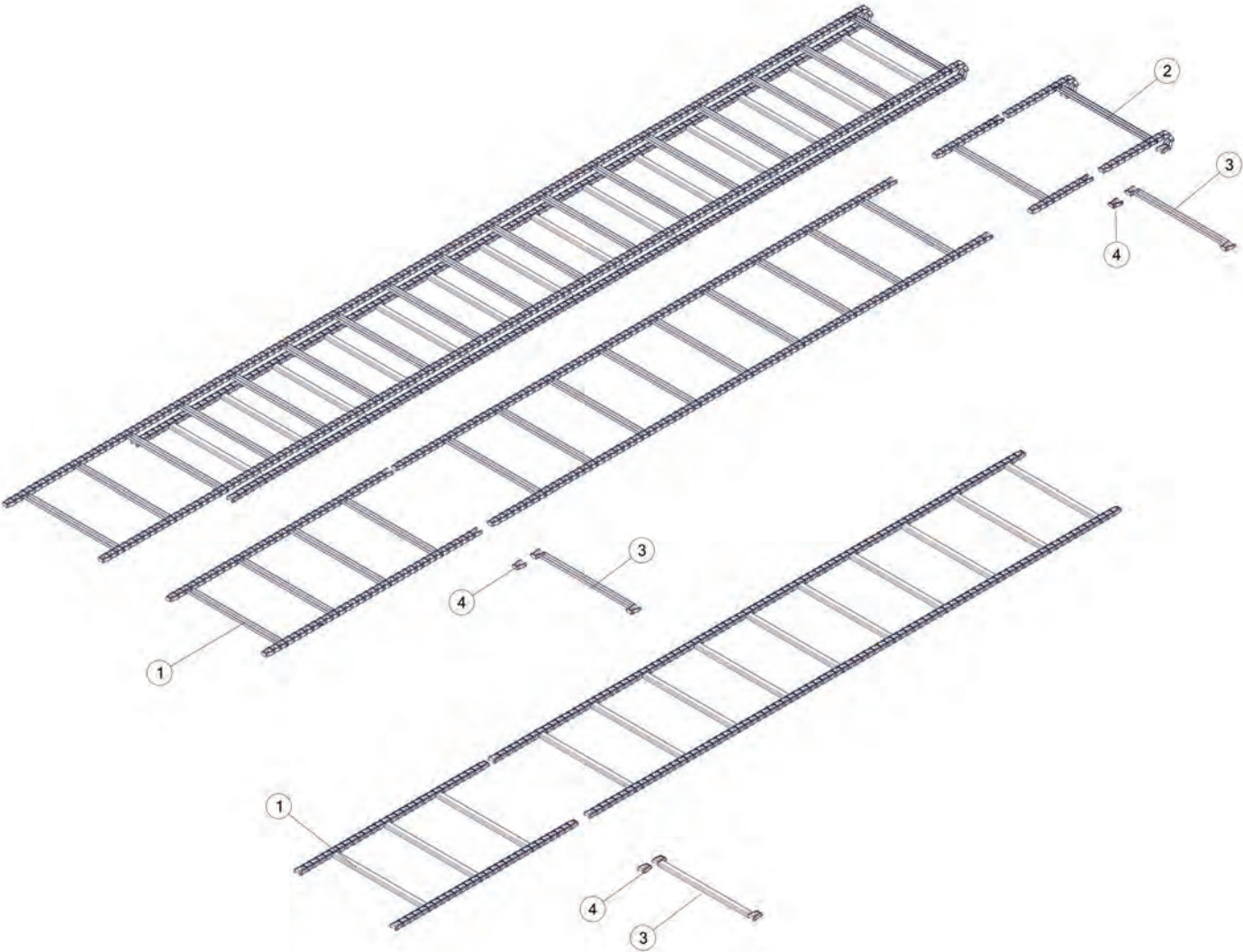
REF #	PART #	DESCRIPTION	QTY
1	88093	FRONT HOLD DOWN, LH	1
2	88095	FRONT HOLD DOWN, RH	1
3	88085	PANEL SLANT, CENTER	2
4	94438	PANEL SLANT, CENTER SHORT	2
5	88090	SLANT PANEL REAR, RH	1
6	88089	SLANT PANEL REAR, LH	1
7	94487	POLY FLOOR	1
8	YSDR08005	SCREW SELF DRILL, HEX WASHER HEAD, 1/4 X 1	40
9	YBFB12075	BOLT FLANGE, 3/8 X 3/4 G5	6
10	YSHW10034	THREAD CUTTING SCREW, 5/16 X 3/4	2
11	YSFS12020	BOLT FLAT SOK, 3/8-16 X 3 BO	10
12	YNFG12006	NUT FLANGE, 3/8 GF	16

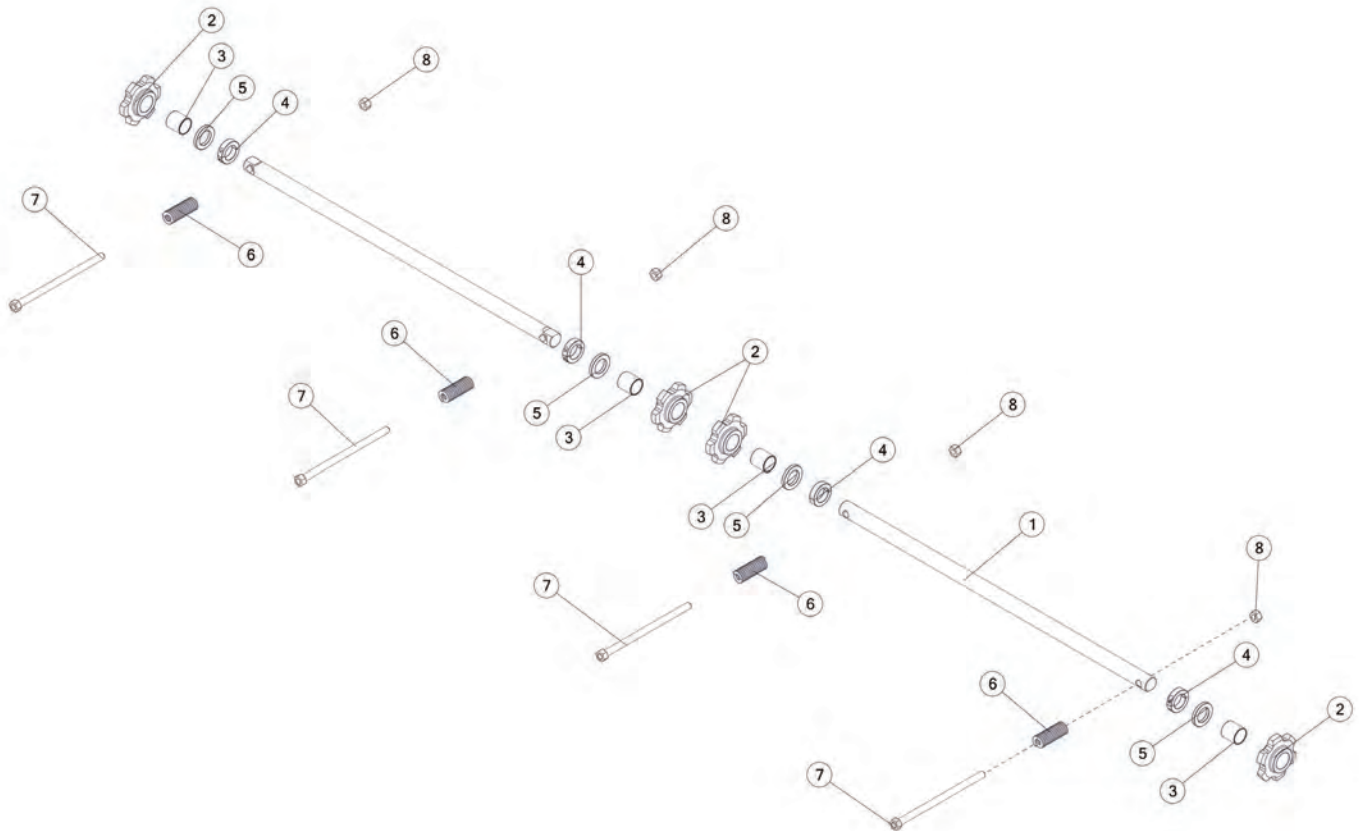




FIGURE 7

FLOOR CHAIN





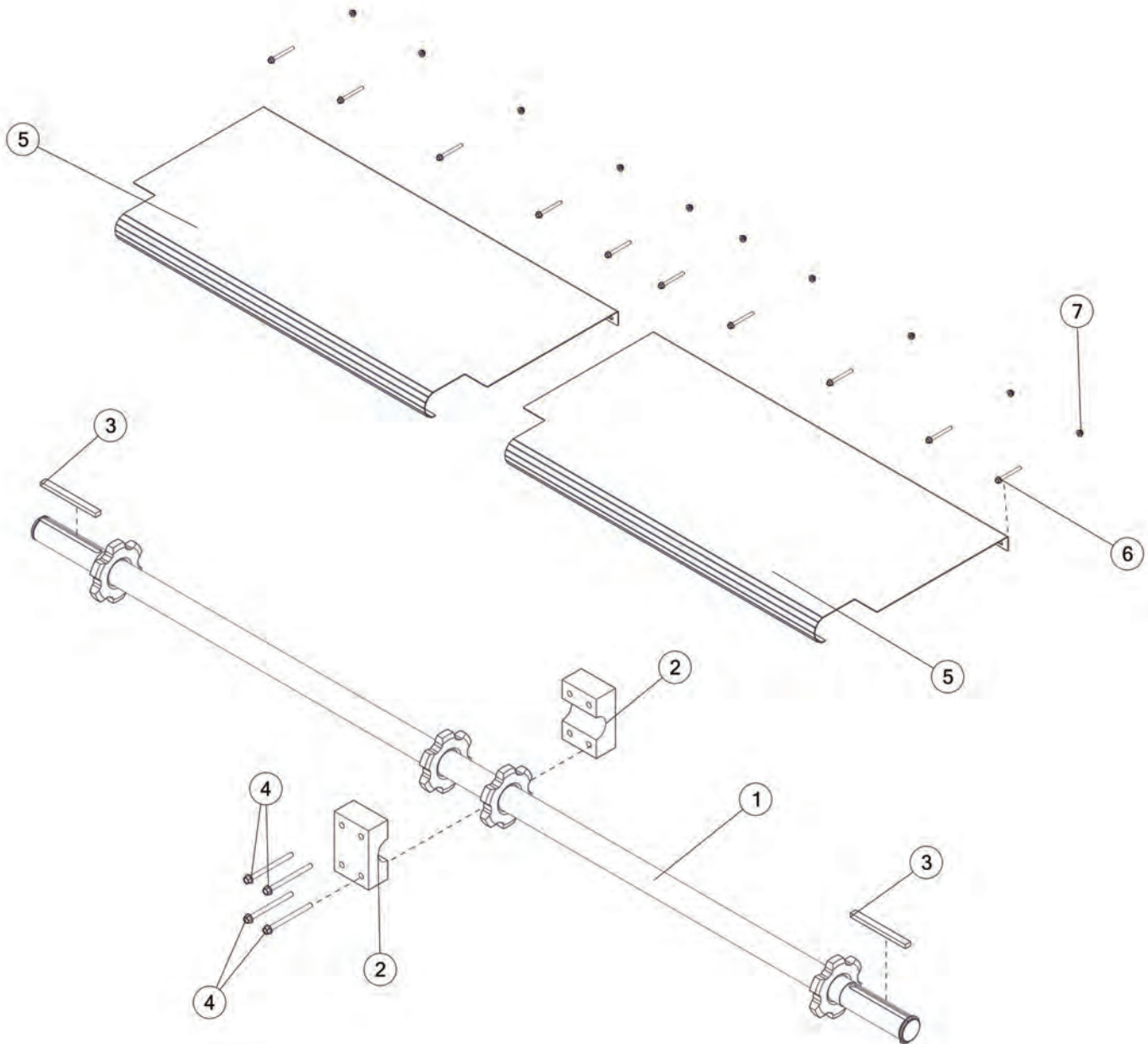




FIGURE 9

REAR DRIVE SHAFT AND COMPONENTS

REF #	PART #	DESCRIPTION	QTY
1	94394	DRIVE SHAFT	1
2	BBS62	CENTER DRIVE SHAFT BEARING	2
3	94395	RECTANGLE KEY, 16MM X 10MM	2
4	YBFB16500	BOLT FLANGE, 1/2 X 5 G5	4
5	93726	DRIVE SHAFT COVER	2
6	YBFB08250	BOLT FLANGE, 1/4 X 2-1/2 G5	10
7	YNFG08010	NUT FLANGE, 1/4 GF	10



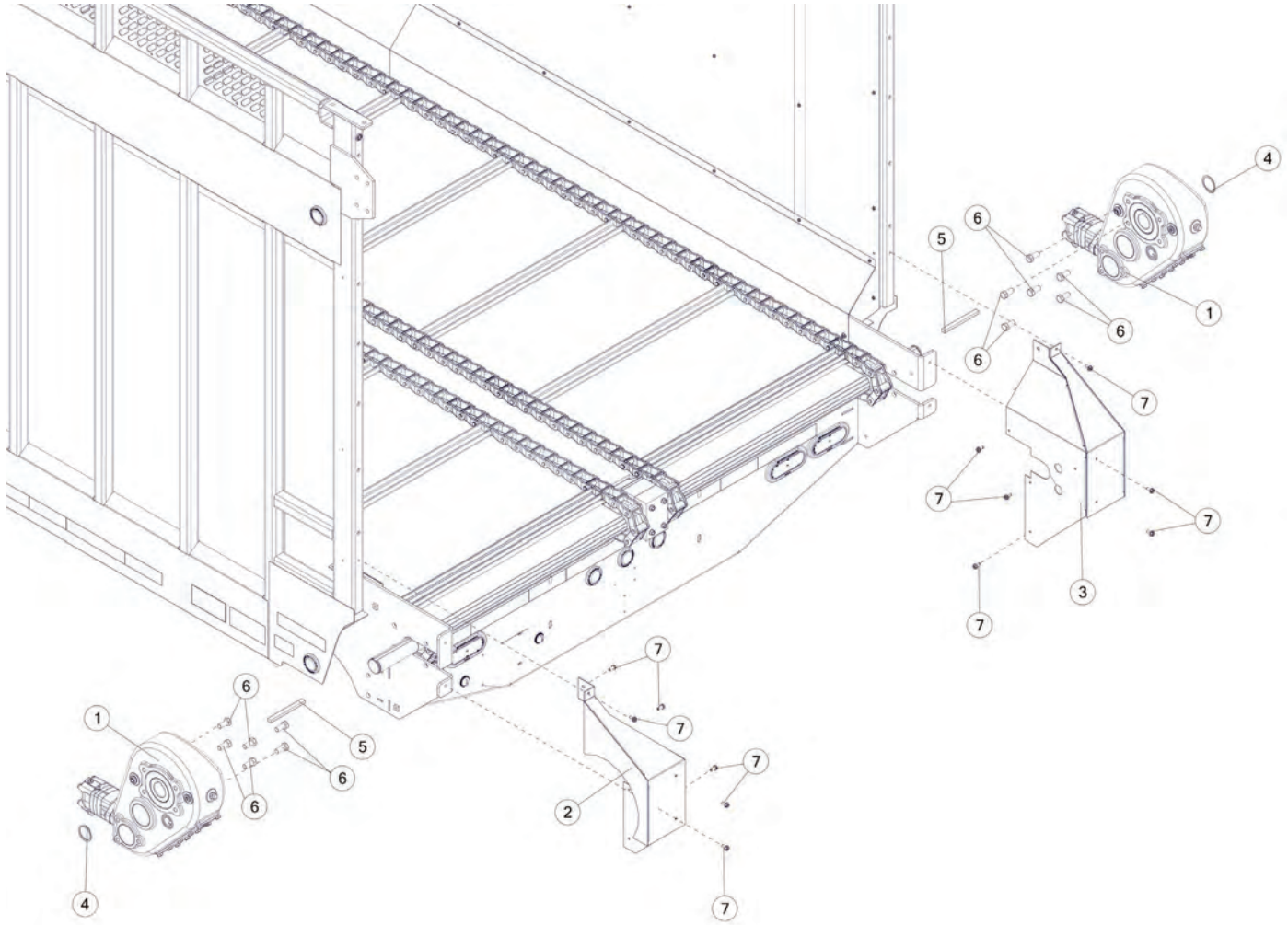




FIGURE 10

GEARBOX AND COMPONENTS

REF #	PART #	DESCRIPTION	QTY
1	91430	GEARBOX ASSEMBLY	2
2	94432	GEARBOX SHIELD, LH	1
3	94267	GEARBOX SHIELD, RH	1
4	88674	SNAP RING, EXTERNAL	2
5	94395	RECTANGLE KEY, 16MM X 10MM	2
6	YBHH82035	BOLT HEX, M16-2 X 35 10.9 ZC	12
7	YSHW10034	THREAD CUTTING SCREW, 5/16 X 3/4	12



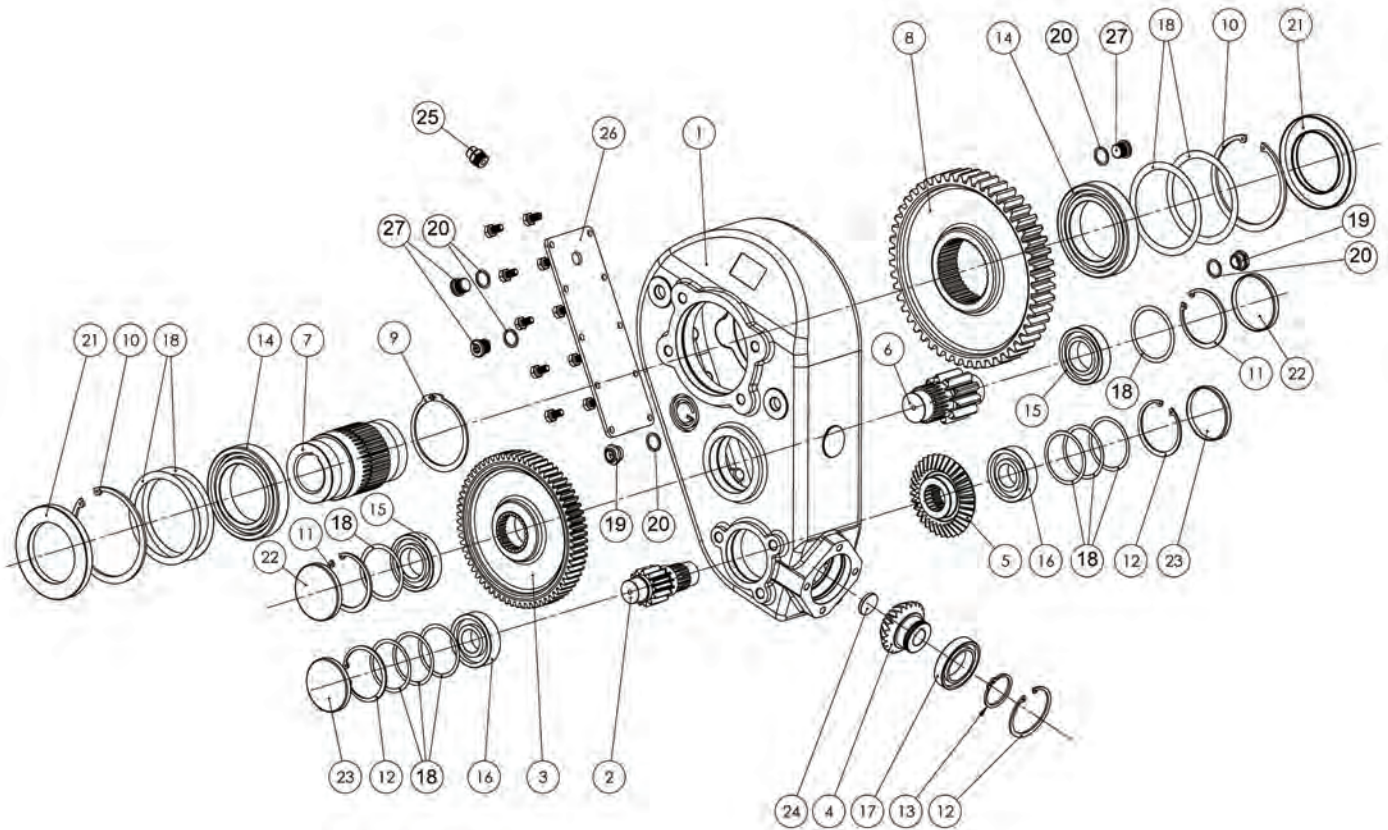




FIGURE 11
91430 GEARBOX

REF #	PART #	DESCRIPTION	QTY
1	94061	GEARBOX HOUSING	1
2	94701	SPUR, GEAR	1
3	94702	CROWN, GEAR	1
4	94079	PINION, GEAR	1
5	94703	CROWN, GEAR	1
6	94704	PINION, GEAR	1
7	94057	SLEEVE, SHAFT	1
8	94705	CROWN, GEAR	1
9	94706	SNAP RING	1
10	94078	SNAP RING	2
11	94077	SNAP RING	2
12	94076	SNAP RING	3
13	94075	SNAP RING	1
14	94074	BEARING	2
15	94073	BEARING	2
16	94072	BEARING	2
17	94071	BEARING	1
18	94707	SHIM KIT	1
19	94065	OIL LEVEL PLUG	2
20	94066	WASHER	6
21	94070	SEAL	2
22	94069	CAP	2
23	94068	CAP	2
24	94067	CAP	1
25	94063	BREATHER	1
26	94062	COVER PLATE	1
27	94064	OIL PLUG	4





FIGURE 12

HYDRAULICS

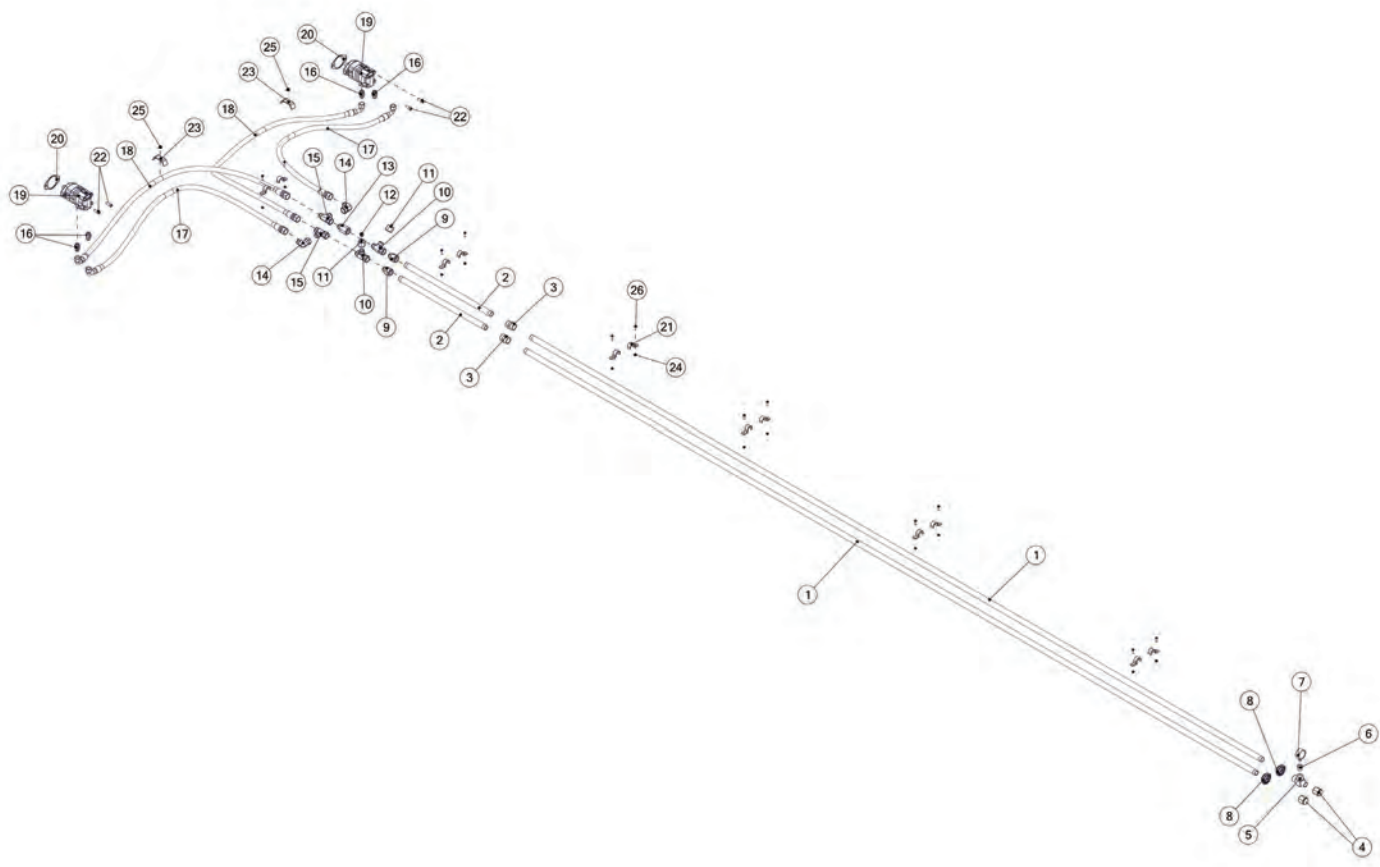




FIGURE 12
HYDRAULICS

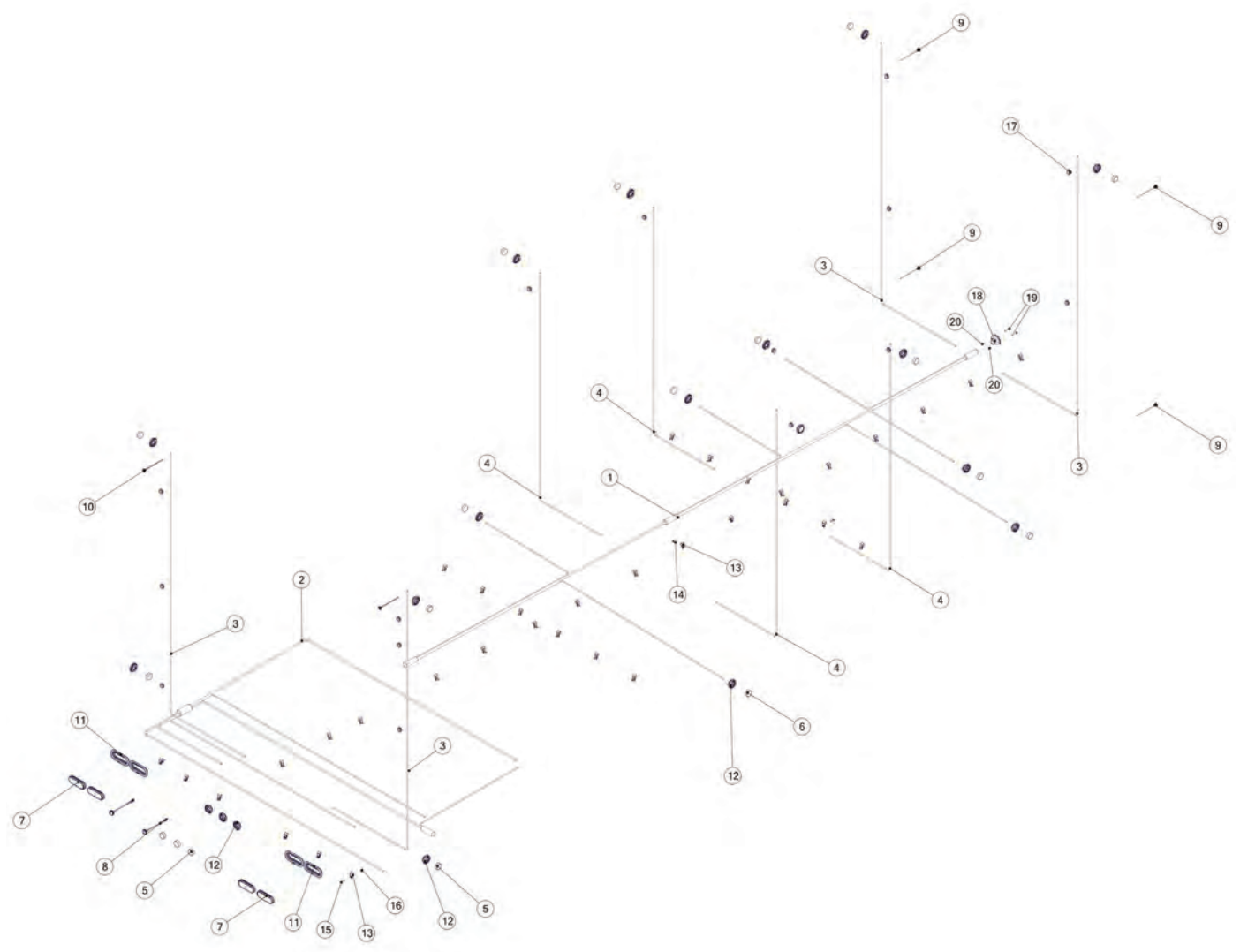
REF #	PART #	DESCRIPTION	QTY
1	BBSTPI02	HYDRAULIC LINE, 1	2
2	82699	HYDRAULIC LINE, 1	2
3	BBS85	MALE 1 PIPE COUPLING, 5000-16-16	2
4	82957	FITTING, CAP, 1 NPT	2
5	DWM113	SERVICE TEE	1
6	BBS37	BUSHING, 1 NPTF TO 1/4 NPTF	1
7	BBS33	GAUGE, 4000 PSI	1
8	BBS91	ROUND LIGHT GROMMET	2
9	BBS65	FITTING, STRAIGHT, 16JIC X 16NPT	2
10	CHM182	FITTING, TEE, 16JIC X 16JIC X 16JIC	2
11	CHM183	FITTING, STRAIGHT, 16JIC X 6JIC	2
12	83114	FITTING CAP, 6JIC	1
13	53829	HYDRAULIC VALVE, CHECK, 1	1
14	8021	SWIVEL NUT ELBOW	2
15	CHM182	FITTING, TEE, 16JIC X 16JIC X 16JIC	2
16	GM21	FITTING, STRAIGHT, 12JIC X 10ORB STL	4
17	BBSTMS17	HYDRAULIC HOSE, 12, 61	2
18	BBSTMS18	HYDRAULIC HOSE, 12, 66	2
19	88033	HYDRAULIC MOTOR	2
20	94375	GASKET, HYDRAULIC MOTOR	2
21	BBS86	PIPE CLAMP	12
22	YSHM78030	BOLT SOCKET, M12-1.75 X 30 8.8 BO	4
23	T223	HOSE BRACKET	2
24	YNFG08010	NUT FLANGE, 1/4 GF	12
25	YNFG12006	NUT FLANGE, 3/8 GF	2
26	YBFB08100	BOLT FLANGE, 1/4 X 1 G5	12





FIGURE 13

LIGHTS



**FIGURE 13
LIGHTS**

REF #	PART #	DESCRIPTION	QTY
1	78666	ELEC HARNESS, MID MAIN	1
2	78656	ELEC HARNESS, REAR MAIN	1
3	78654	ELECT HARNESS, F/R UPPER MARKER	4
4	78655	ELECT HARNESS, MID MARKER	4
5	BBS92	MARKER LIGHT, RED ROUND	7
6	BBS93	MARKER LIGHT, AMBER ROUND	12
7	78671	RED LED LIGHT, OVAL	4
8	BBS98	LICENSE LIGHT	2
9	8033	AMBER LED LIGHT, ROUND	4
10	8620	RED LED LIGHT, ROUND	2
11	S308	OVAL LIGHT GROMMET	4
12	BBS91	ROUND LIGHT GROMMET	19
13	HGV72	CUSHION WIRE CLAMP 3/4	34
14	YSDR08005	SELF DRILL SCREW, HEX WASH HD, 1/4-14 X 1 ZC	28
15	YBHH10010	BOLT HEX, 5/16-18 X 1 G5 ZC	6
16	YNFG10005	NUT FLANGE, 5/16 GF	6
17	8030	PUSH-IN MIL SPEC GROMMET	16
18	78653	ELECTRIC HARNESS, FRONT TRUCK	1
19	YBFB08175	BOLT FLANGE, 1/4 X 1-3/4 G5	2
20	YNFG08010	NUT FLANGE, 1/4 GF	2



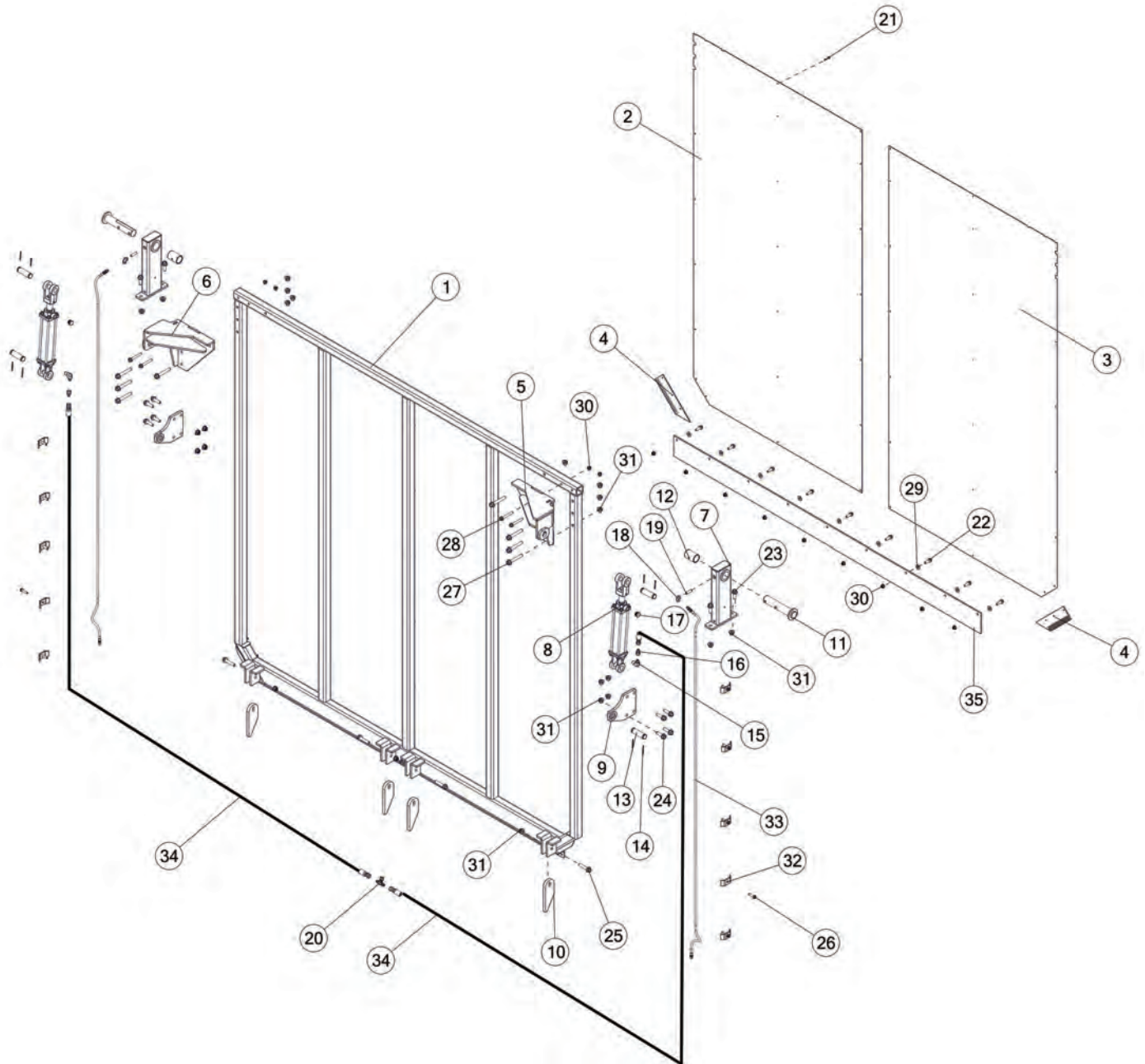




FIGURE 14

OPTIONAL BDOTPD

TOP PIVOT REAR DOOR W/HYD GATE DELAY

REF #	PART #	DESCRIPTION	QTY
1	96998	DOOR	1
2	97006	DOOR SKIN, LH	1
3	97008	DOOR SKIN, RH	1
4	88283	CORNER DOOR SEAL	2
5	89945	UPPER GATE DELAY MOUNT, RH	1
6	89265	UPPER GATE DELAY MOUNT, LH	1
7	94542	STAKE TOP REAR ASSEMBLY	2
8	55999	CYLINDER, 2 x 8 3000 PSI	2
*	56187	SEAL KIT	2
9	89267	LOWER GATE DELAY MOUNT	2
10	BBS67	LATCH	4
11	BBS64	DOOR HINGE PIN	2
12	BFR625	BRONZE BUSHING, TANDEM PIN	2
13	T143	HYDRAULIC CYLINDER PIN	4
14	YPCT05010	COTTER PIN, 5/32 X 1-1/2	8
15	CHM164	FITTING 90, 6JIC X 3/8NPT	2
16	58144	IN-LINE CONNECTOR, ORIFICE, 6-XHX7-S .062	2
17	BFR70	VENT PLUG, 3/8	2
18	90684	FITTING 90, 1/8NPT, 1/8NPT	2
19	90681	PIPE NIPPLE	2
20	58137	FITTING T, 6JIC, 6JIC 6JIC	1
21	YSDR66005	SELF DRILL SCREW, HEX WASHER HD, #12 X 1 ZC	42
22	YBFB12125	BOLT FLANGE, 3/8 X 1-1/4 G5	9
23	YBFB16150	BOLT FLANGE, 1/2 X 1-1/2 G5	4
24	YBFB16175	BOLT FLANGE, 1/2 X 1-3/4 G5	8
25	YBFB16250	BOLT FLANGE, 1/2 X 2-1/2 G5	4
26	YSHW10020	THREAD CUTTING SCREW, 5/16 X 1-1/2	10
27	YBFB16350	BOLT FLANGE, 1/2 X 3-1/2 G5	8
28	YBFB12300	BOLT FLANGE, 3/8 X 3 G5	4
29	YWFL12005	WASHER FLAT, 3/8 USS	9
30	YNFG12006	NUT FLANGE, 3/8 GF	13
31	YNFG16003	NUT FLANGE, 1/2 GF	24
32	23N67	FRONT HOSE BRACKET	10
33	90729	HYDRAULIC HOSE, 2, 88	2
34	78689	HYDRAULIC HOSE, 6, 230	2
35	94722	DOOR RUBBER, REAR	1





FIGURE 15

OPTIONAL FBOTPDSK
SEAL KIT FOR TOP PIVOT DOOR

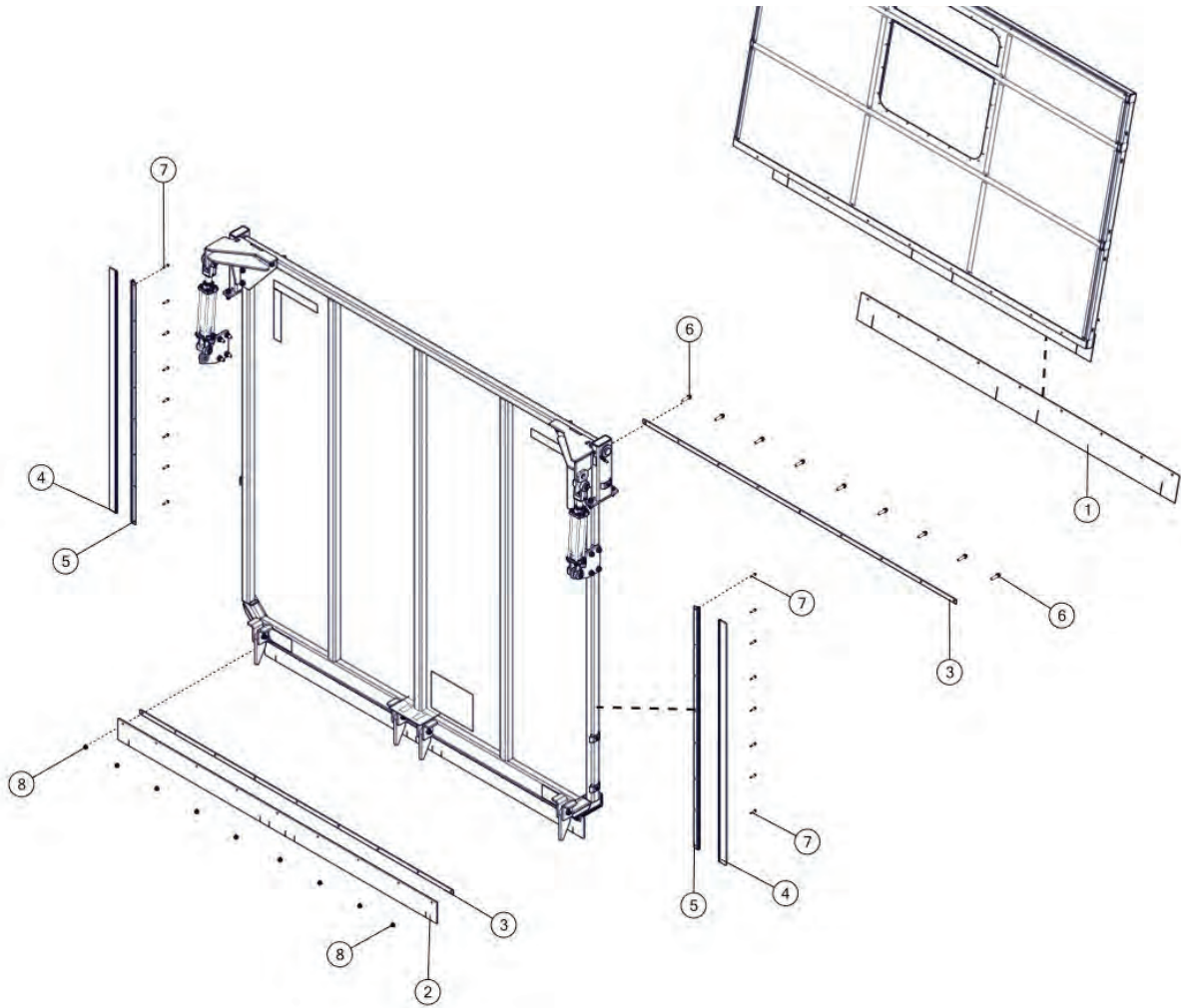




FIGURE 15
OPTIONAL FBOTPD SK
SEAL KIT FOR TOP PIVOT DOOR

REF #	PART #	DESCRIPTION	QTY
1	94473	FRONT SEAL RUBBER	1
2	94722	DOOR RUBBER, REAR DOOR	1
3	95216	RUBBER STRAP, DOOR	2
4	0226MS04	BRUSH, LONG, 2	2
5	0226MS01	BRUSH HOLDER, 1-1/4	2
6	YBFB12175	BOLT FLANGE, 3/8 X 1-3/4 G5	9
7	YSDR66007	SELF DRILL SCR, HEX WASH HD, #12-14 X 1-1/4 ZC	16
8	YNFG12006	NUT FLANGE, 3/8 GF	9

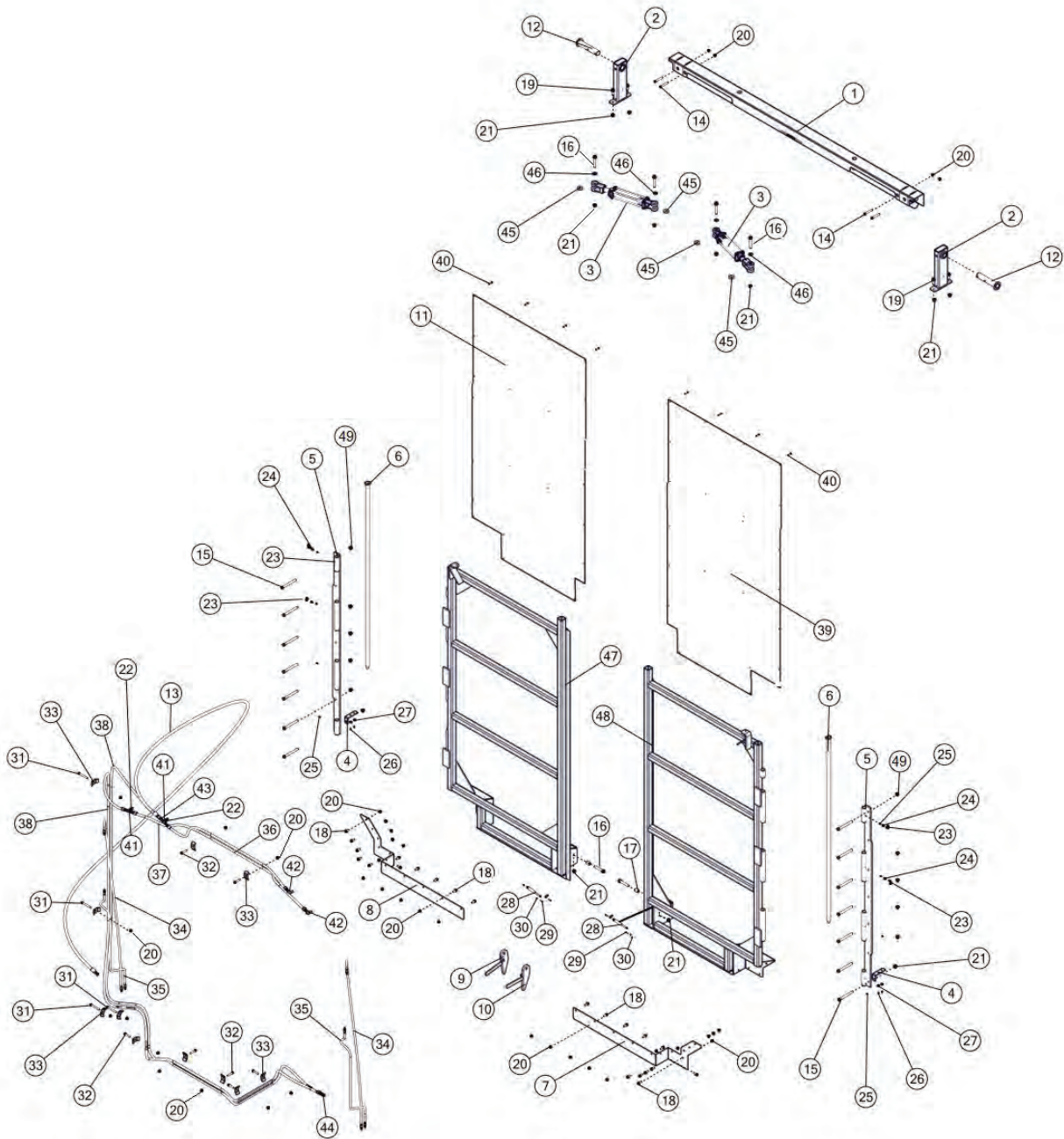




FIGURE 16

OPTIONAL BDOSBD - SWINGING BARN DOOR W/HYD CLOSURE CHASSIS MOUNT

REF #	PART #	DESCRIPTION	QTY
1	80317	TOP CHANNEL	1
2	BBS20	STAKE TOP, BACK RH	2
3	85176	CYLINDER, 2 X 8 3000 PSI	2
4	94849	PLATE, GREASE LINE	2
5	82438	HINGE	2
6	82449	DOOR HINGE PIN	2
7	0227RU01	DOOR SEAL BOTTOM	1
8	94790	DOOR SEAL BOTTOM	1
9	0227WE07	LATCH, LH	1
10	0227WE08	LATCH, RH	1
11	94794	PANEL, STAINLESS BARN DOOR, LH	1
12	BBS64	DOOR HINGE PIN	2
13	78689	HYDRAULIC HOSE, 6, 230	1
14	YBHH12120	BOLT HEX, 3/8 X 3 G5	4
15	YBHH16160	BOLT HEX, 1/2-13 X 5-1/2 G5	14
16	YBFB16350	BOLT FLANGE, 1/2 X 3-1/2 G5	6
17	0227PI02	LATCH SPACER	2
18	YBFB12003	BOLT FLANGE, 3/8 X 1 G5	22
19	YBFB16150	BOLT FLANGE, 1/2 X 1-1/2 G5	4
20	YNFG12006	NUT FLANGE, 3/8 GF	26
21	YNFG16005	NUT FLANGE, 1/2-13 LKTL G ZC	24
22	58124	FITTING STRAIGHT, 04JIC, 06NPT	2
23	89726	FITTING 90, 1/8NPT X 1/8NPSM	4
24	TS323	FITTING STRAIGHT, 1/4-28, 1/8-27NPT	4
25	MS26	STRAIGHT ZERK, 1/4-28	8
26	G89	STRAIGHT ZERK, 1/4-28	4
27	YNJM04005	NUT, JAM, 1/8 A	4
28	SD190	GAS STRUT	2
29	1135	SCREW MACHINE, PHILLIPS HEAD, #8-32 X 3/4	4
30	YNHX62005	NUT HEX, MACHINE, #8-32 NA ZC	4
31	YBFB10350	BOLT FLANGE, 5/16 X 3-1/2 G8	4
32	YBFB10200	BOLT FLANGE, 5/16 X 2 G5	7
33	23N67	FRONT HOSE BRACKET	11
34	88909	GREASE HOSE, 3, 66	2
35	89739	GREASE HOSE, 3, 45	2
36	85174	HYDRAULIC HOSE, 4, 58	1
37	85189	HYDRAULIC HOSE, 4, 80	1
38	85154	HYDRAULIC HOSE, 4, 224	2
39	94802	PANEL, STAINLESS BARN DOOR, RH	1





FIGURE 16

OPTIONAL BDOSBD - SWINGING BARN DOOR

W/HYD CLOSURE CHASSIS MOUNT

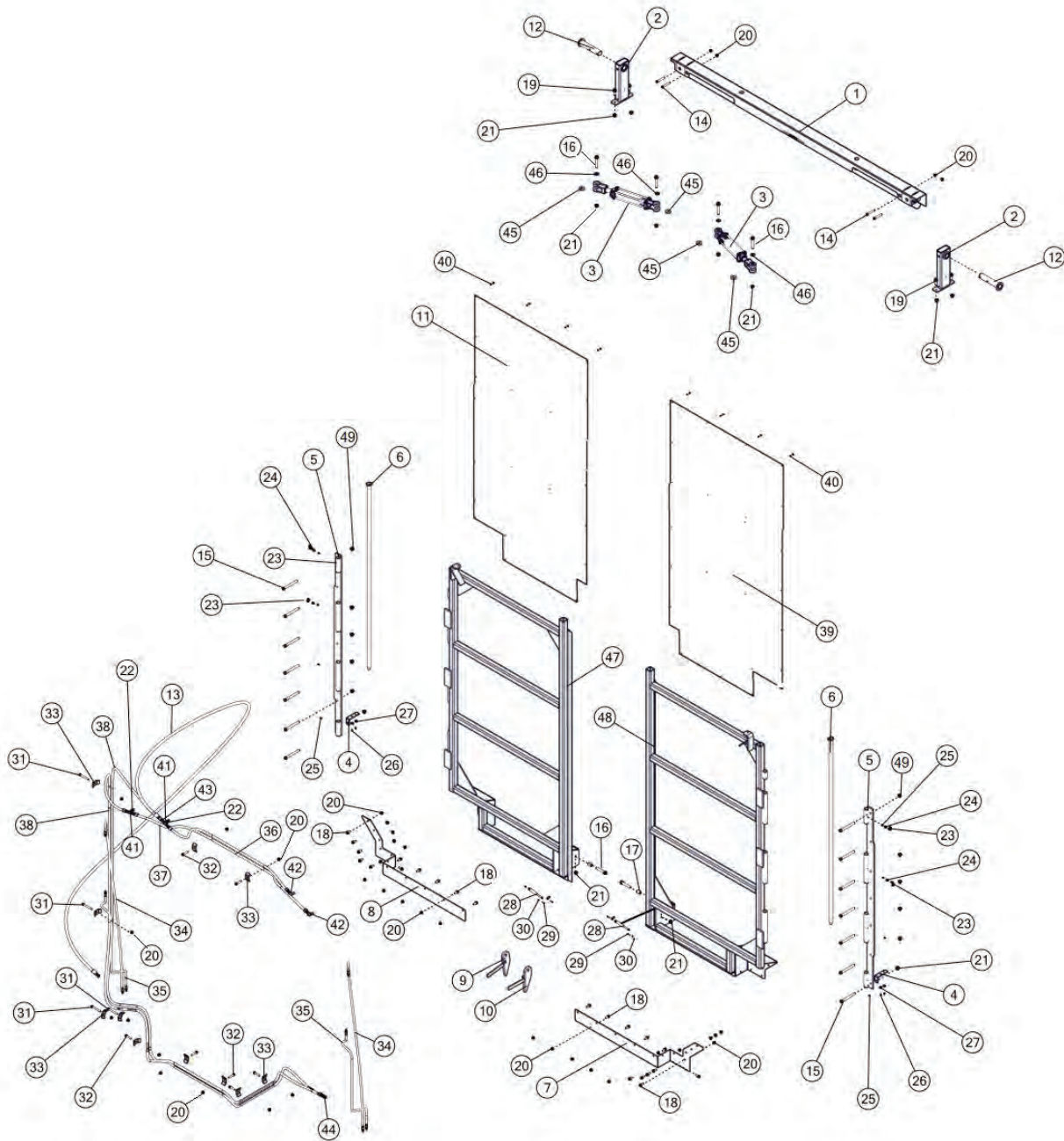




FIGURE 16

OPTIONAL BDOSBD - SWINGING BARN DOOR W/HYD CLOSURE CHASSIS MOUNT

REF #	PART #	DESCRIPTION	QTY
40	YSDR66007	SELF DRILL SCR, HEX WASH HD, #12-14 X 1-1/4 ZC	48
41	58102	FITTING T, 4JIC, 4JIC, 4JIC	2
42	58444	FITTING 90, 4JIC, 3/8NPT	2
43	71802	FITTING STRAIGHT, 6 MALE JIC, 4 FEMALE JIC, STL	1
44	58143	IN-LINE CONNECTOR, ORIFICE, 6-XHX7-S .047	1
45	84589	CYLINDER SPACER	4
46	YWFL16005	WASHER FLAT, 1/2	4
47	94766	DOOR, LH	1
48	94798	DOOR, RH	1
*	94797	DOOR ASSEMBLY, RH	1
*	94783	DOOR ASSEMBLY, LH	1
49	YNFG10005	NUT FLANGE, 5/16 GF	13





FIGURE 17

OPTIONAL BDOESST26
ELECTRIC DRIVE SIDE-TO-SIDE TARP

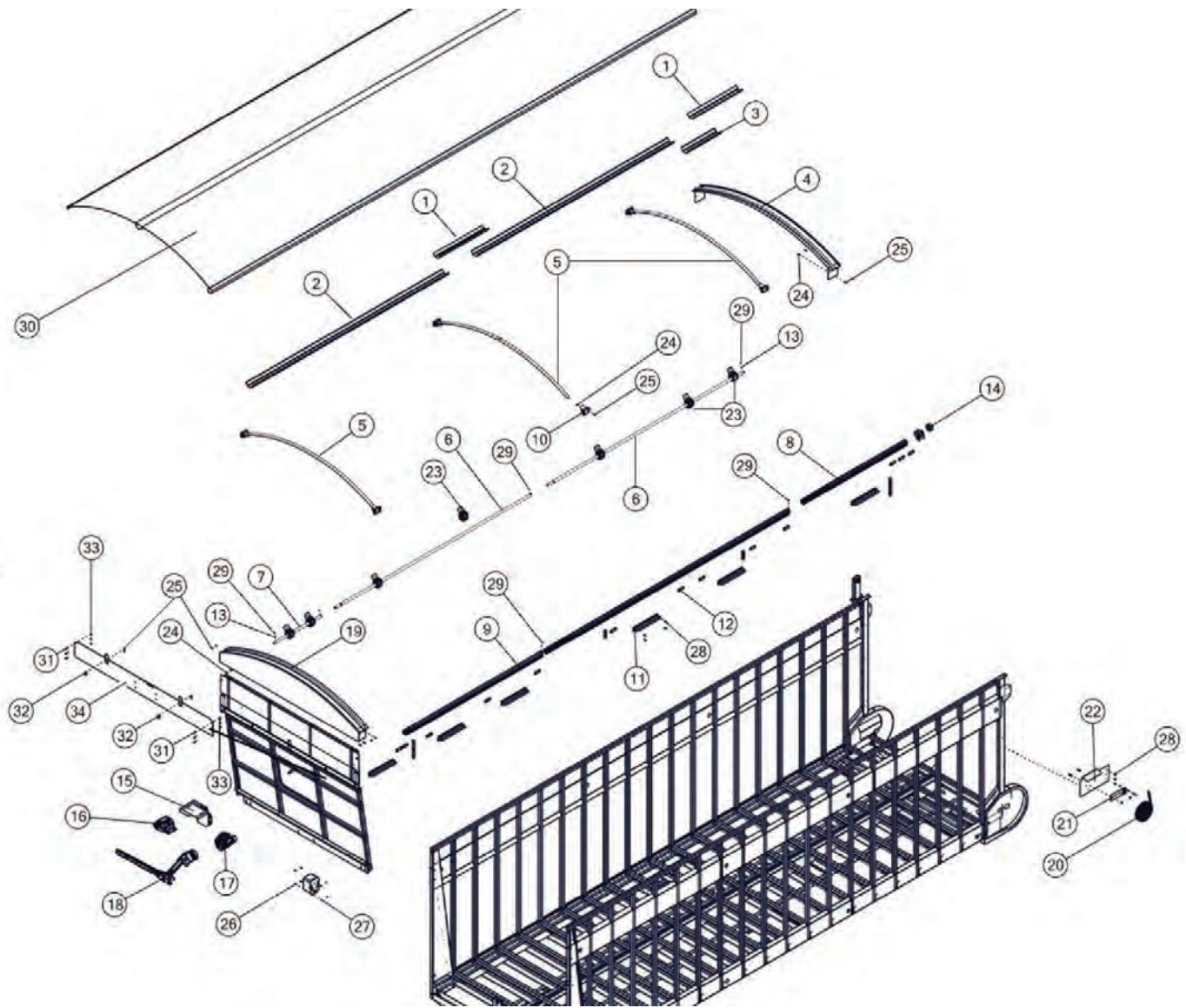




FIGURE 17

OPTIONAL BDOESST26

ELECTRIC DRIVE SIDE-TO-SIDE TARP

REF #	PART #	DESCRIPTION	QTY
1	92882	RIDGE POLE SPLICE	2
2	92818	RIDGE POLE,	2
3	92821	RIDGE POLE, 72	1
4	93117	END CAP ARCH	1
5	93115	BOW	6
6	92823	TARP POLE	2
7	93795	TUBE, 88	1
8	92807	AXLE, 3 MIDDLE	2
9	93778	AXLE, FRONT	1
10	93408	BRACKET, BOW	6
11	92813	LOCKING LIP	6
12	92812	TARP CLIP	13
13	YWFL08005	WASHER FLAT, 1/4	2
14	92814	CAP	1
15	92829	BRACKET	1
16	92828	PIVOT ASSEMBLY	1
17	92836	TARP MOTOR	1
18	92833	PIVOT ARM ASSEMBLY	1
19	92792	END CAP	1
20	92797	SPOOL, ROLL RITE	1
21	92801	BRACKET, MOUNTING SPOOL	1
22	89901	TARP SPRING BRACKET	1
23	92811	TARP STOP	7
24	YBFB10001	BOLT FLANGE, 5/16 X 1 G5	24
25	YNFG10005	NUT FLANGE, 5/16 GF	20
26	YBFB08100	BOLT FLANGE, 1/4 X 1 G5	4
27	YNFG08010	NUT FLANGE, 1/4 GF	4
28	YSWH10005	SCREW, HEX WASH HD, 5/16-18 X 1-1/4	36
29	GM234	RIVET, 3/16 DIA, .376 - .50 GRIP	6
30	93811	TARP, 26 FT	1
31	YBFB12125	BOLT FLANGE, 3/8 X 1-1/4 G5	6
32	YBFB10001	BOLT FLANGE, 5/16 X 1 G5	4
33	YNFG12006	NUT FLANGE, 3/8 GF	6
34	93433	PLATE, TARP MOUNT	1
*	92827	POWER ARM COMPLETE, ROLL RITE	1





FIGURE 18

OPTIONAL BDOCMK - CHASSIS MOUNT KIT

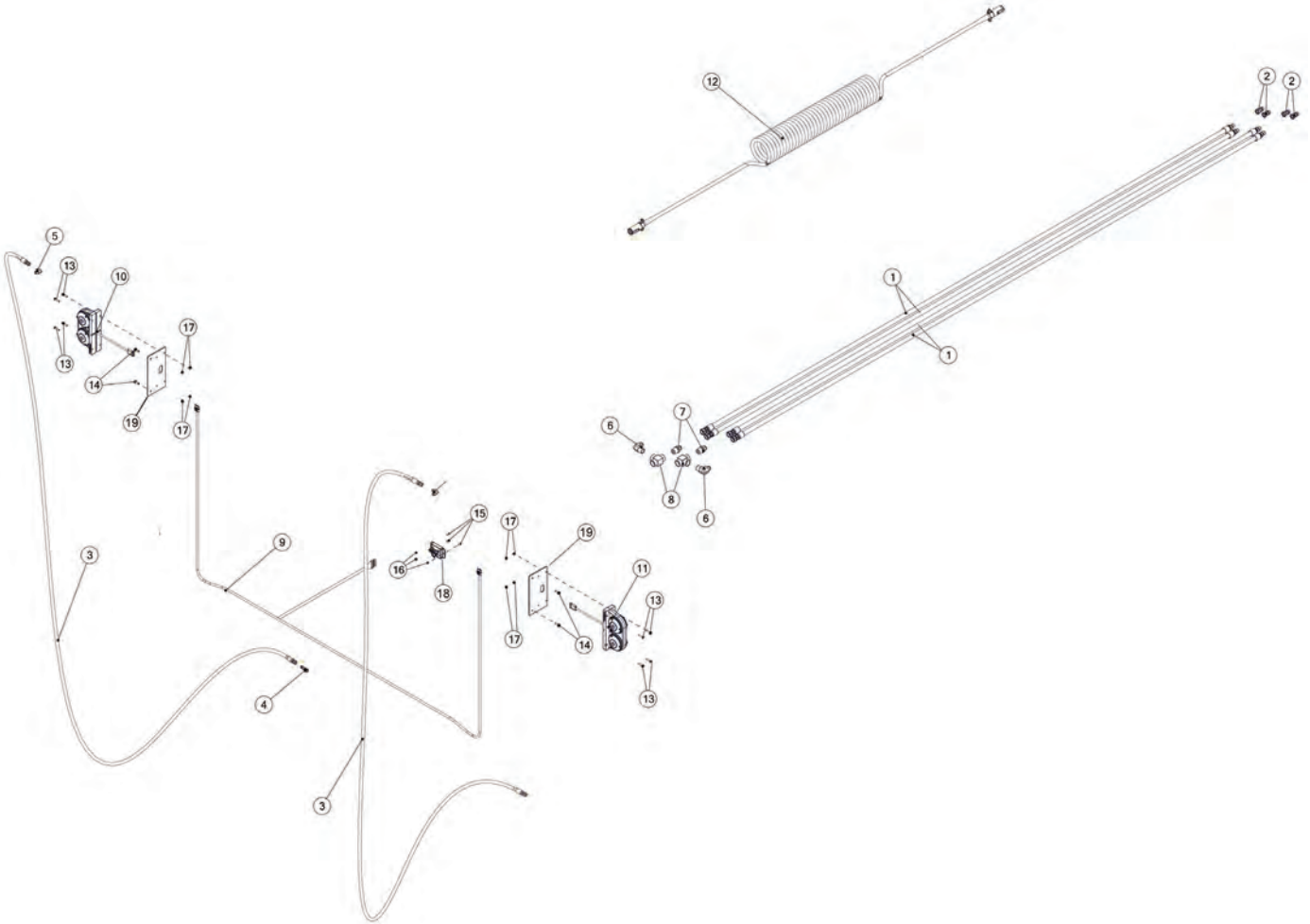




FIGURE 19

OPTIONAL WBOTMK - TRUCK MOUNT KIT

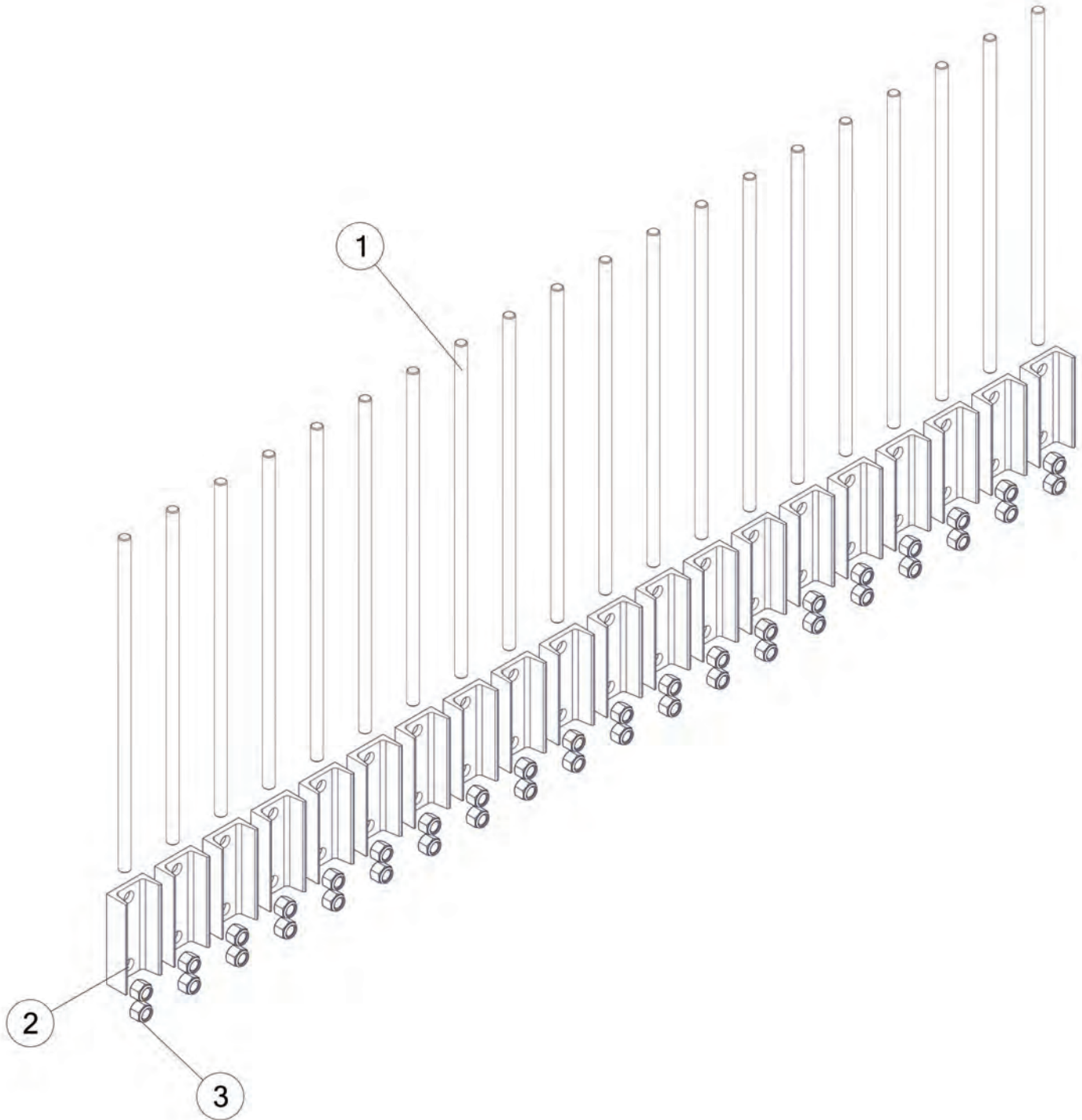




FIGURE 20

OPTIONAL BDOSF26
SCREEN FILLER KIT 26FT BIG DOG

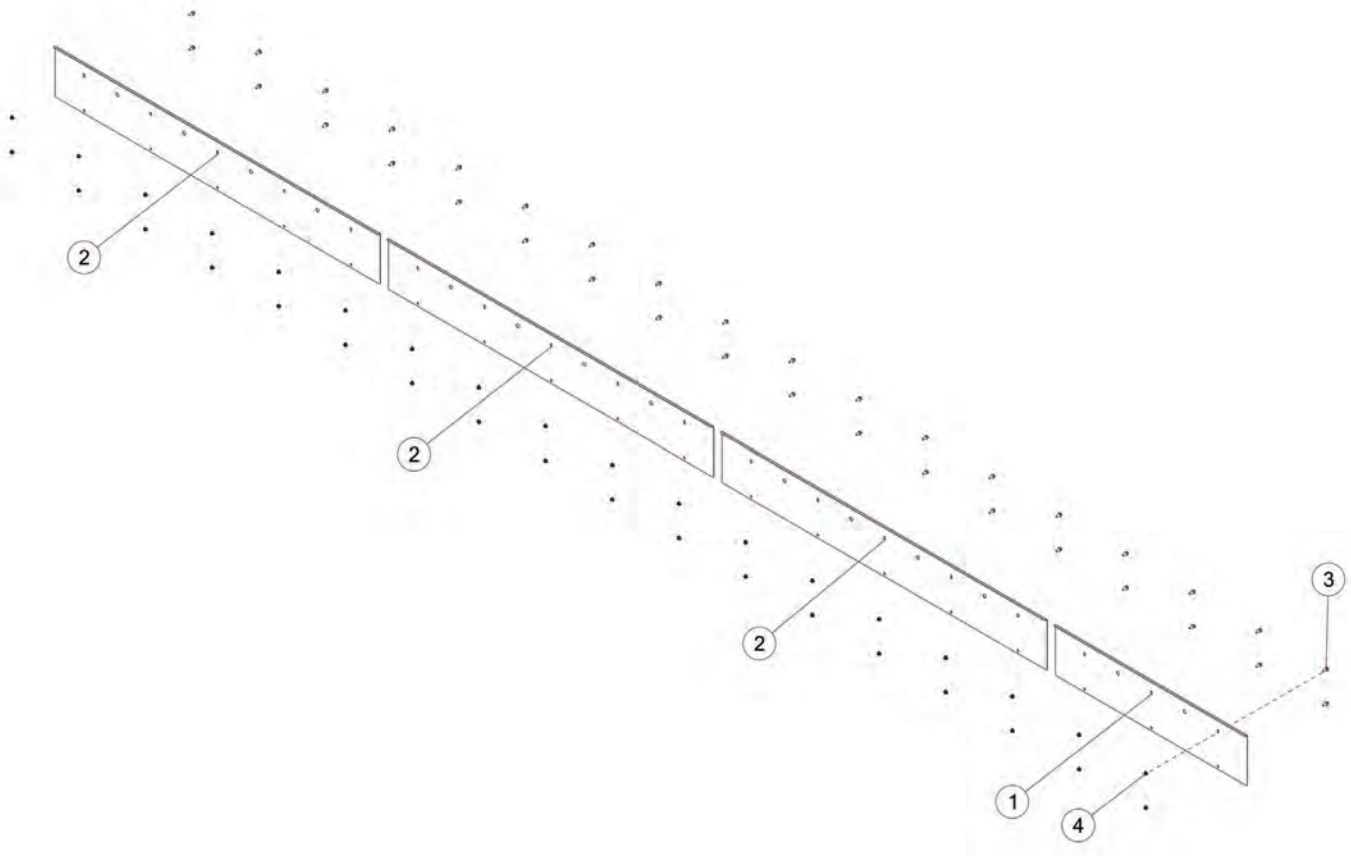




FIGURE 20
OPTIONAL BDOSF26
SCREEN FILLER KIT 26FT BIG DOG

REF #	PART #	DESCRIPTION	QTY
1	82903	SCREEN COVER, REAR	1
2	82466	SCREEN COVER, REAR	3
3	YBFB10075	BOLT FLANGE, 5/16 X 3/4 G5	36
4	YNFG10005	NUT FLANGE, 5/16 GF	36

* NOTE: TWO KITS REQUIRED TO DO COMPLETE BOX





FIGURE 21
OPTIONAL TDOEAC
ELEC ACTUATOR CONTROL-FLIP DOWN FRONT

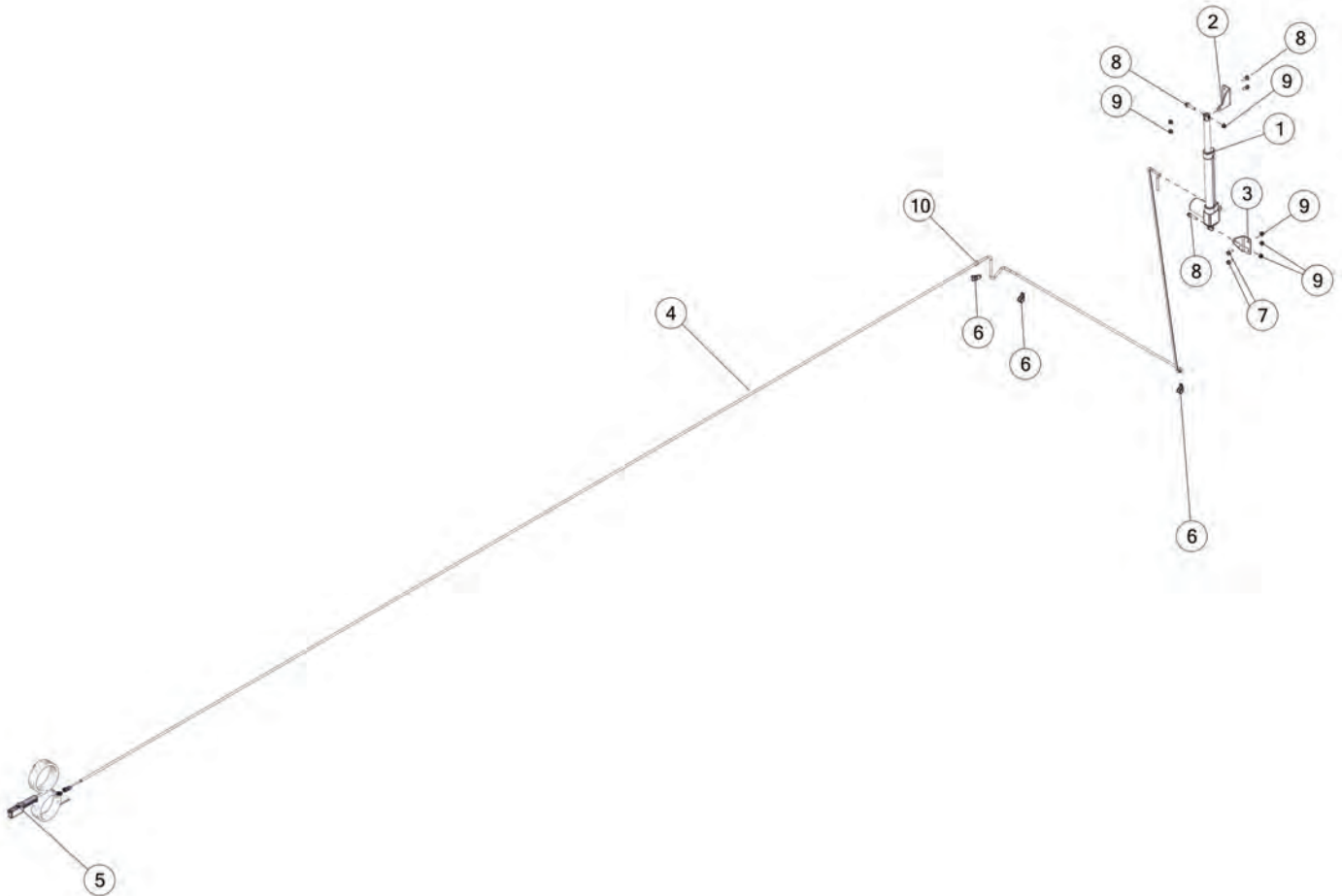




FIGURE 22

OPTIONAL FBRH2627

ROOF HOOD 26FT-27FT BOXES

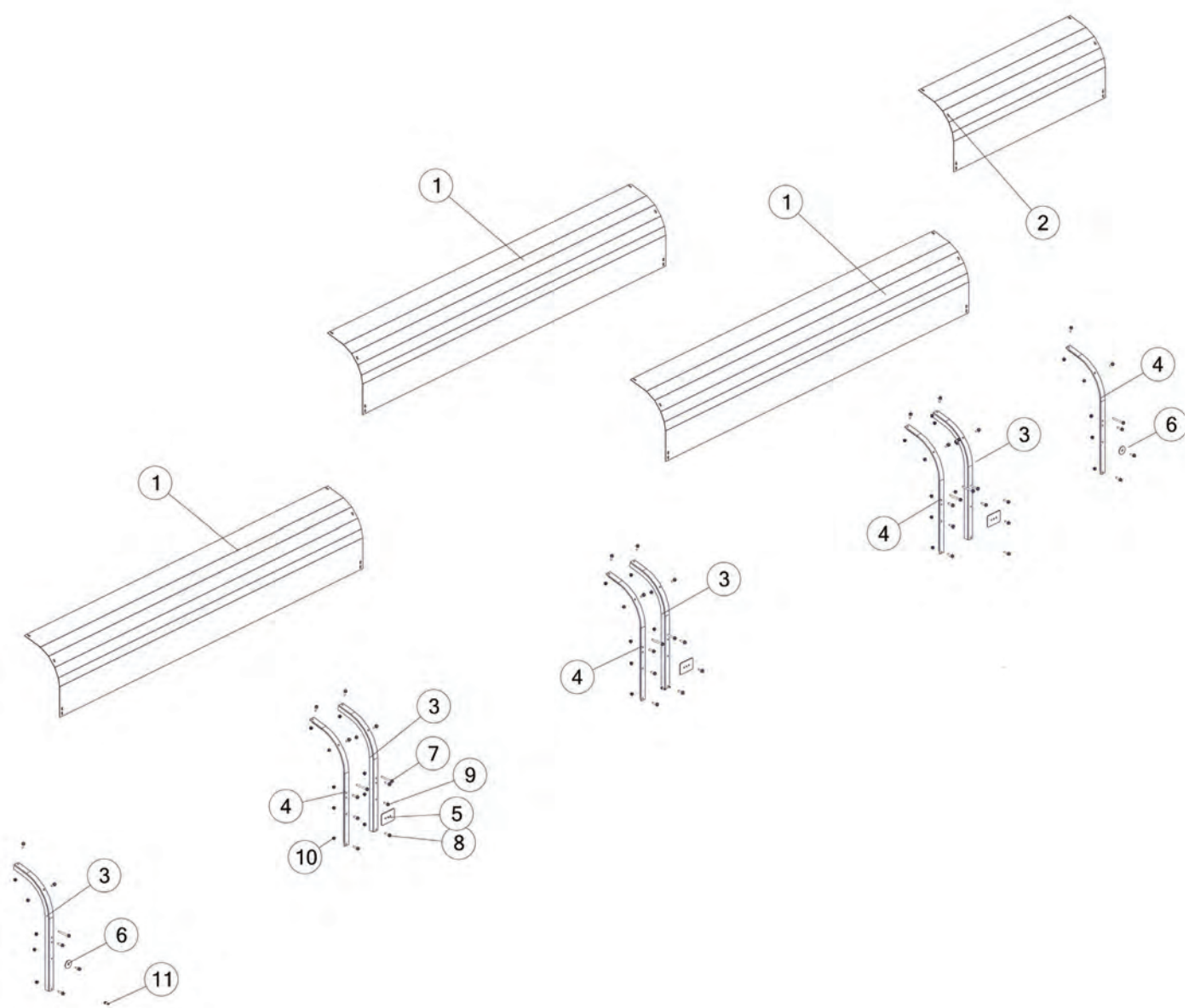




FIGURE 22
OPTIONAL FBRH2627
ROOF HOOD 26FT-27FT BOXES

REF #	PART #	DESCRIPTION	QTY
1	86789	ROOF EDGE RADIUS	3
2	86834	ROOF EDGE RADIUS	1
3	86756	ROOF RADIUS SUPPORT LEFT	4
4	86755	ROOF RADIUS SUPPORT RIGHT	4
5	82969	ROOF HOOD SCREEN WASHER	3
6	YWCU12005	WASHER, FLAT, .435 ID. X 1-7/8 OD. X .125 ZC	2
7	YBFB10300	BOLT FLANGE, 5/16 X 3 G5	9
8	YBFB10125	BOLT FLANGE, 5/16 X 1-1/4 G5	17
9	YBFB10001	BOLT FLANGE, 5/16 X 1 G5	26
10	YNFG10005	NUT FLANGE, 5/16 GF	52
11	YSDR08005	SELF DRILL SCR, HEX WASH HEAD, 1/4-14 X 1 ZC	8





FIGURE 23 OPTIONAL TDOSBD - TRUCK MOUNT SWINGING BARN DOORS W/AIR CLOSURE

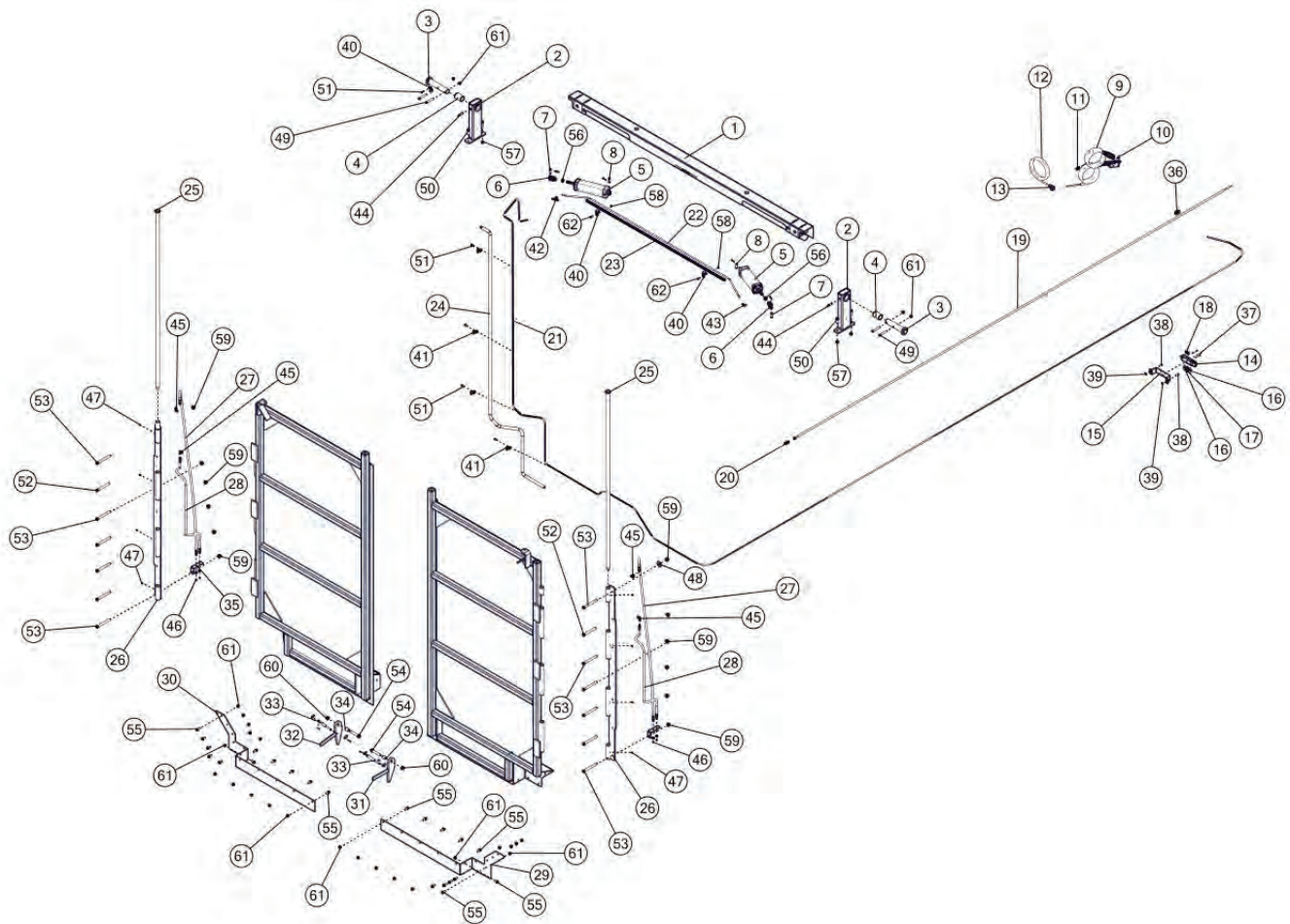


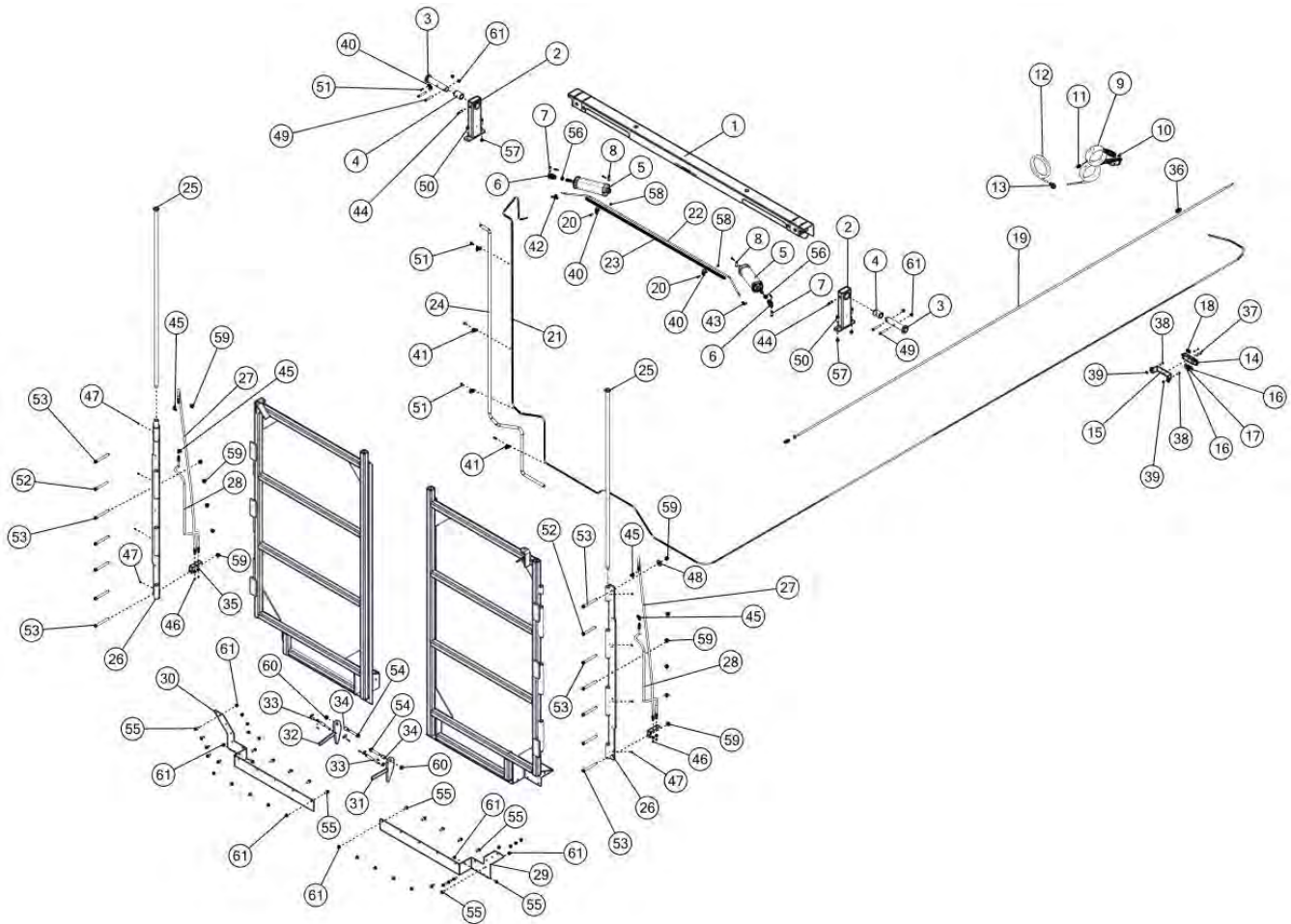


FIGURE 23

OPTIONAL TDOSBD - TRUCK MOUNT SWINGING BARN DOORS W/AIR CLOSURE

REF #	PART #	DESCRIPTION	QTY
1	85203	TOP CHANNEL, AIR	1
2	BBS21	STAKE TOP REAR	2
3	BBS64	DOOR HINGE PIN	2
4	BBS39	BUSHING	2
5	GD49	AIR CYLINDER, 2-1/2 X 8	2
6	8542	CLEVIS, .625-18	2
7	8544	CLEVIS PIN, 1/2 DIA X 1-1/2	2
8	8543	CLEVIS PIN, 1/2 DIA X 1-3/8	2
9	63361	HAND CONTROLLER, (ON)-OFF	1
10	16SV235	SWITCH BOOTS	1
11	58790	DEUTSCH 2 PIN PLUG HOUSING	1
12	1093	DIN CORD	1
13	LW285	DIN CONNECTOR SMALL	1
14	8031	NORGREN VALVE 4 WAY	1
15	54510	AIR VALVE MOUNTING BRACKET	1
16	GD7	VENT PLUG, CONE SHAPED, 1/4	2
17	58651	DOT FITTING, 1/4 to 3/8	1
18	GD6	MALE COUPLER, 1/4	2
19	58521	TRACTOR POWER SUPPLY CABLE	1
20	YBHH08100	BOLT HEX, 1/4-20 X 3/4 G5	1
21	79792	CYLINDER SUPPLY LINE 530 BLACK	1
22	0227MS03	CYLINDER TIE AIR LINE	1
23	0227MS02	WIRE LOOM	1
24	0227MS01	AIR LINE SHIELD	1
25	82449	DOOR HINGE PIN	2
26	82438	HINGE	2
27	88909	GREASE HOSE, 3, 66	2
28	89739	GREASE HOSE, 3, 45	2
29	0227RU01	DOOR SEAL BOTTOM	1
30	94790	DOOR SEAL BOTTOM	1
31	0227WE08	LATCH, RH	1
32	0227WE07	LATCH, LH	1
33	SD190	GAS STRUT	2
34	0227PI02	LATCH SPACER	2
35	94849	PLATE, GREASE LINE	2
36	GD23	STRAIN RELIEF, CONNECTOR	1
37	YSHS62005	BOLT SOCKET, #8-32 X 1-3/4 BO	3
38	YBHH08010	BOLT HEX, 1/4-20 X 1 G5	4
39	YWFL08005	WASHER, FLAT, 1/4 USS	2







H&S MFG. CO.
products approved
for the
FEMA
SEAL OF QUALITY



Manufactured by:
H&S MANUFACTURING CO., INC.
2608 S. HUME AVE. MARSHFIELD, WI 54449
(715) 387-3414 | hsmfgco.com

