



BD1226
BIG DOG
FORAGE BOX
PARTS BOOK

Part #94488 HSMFG073123 Rev. #01 Starting Ser. #422BD26001

STRONG HERITAGE - STRONG PEOPLE - STRONGER FUTURE



TABLE OF CONTENTS

FIGURE #	CONTENTS	PAGE #
*	INSTRUCTIONS FOR ORDERING PARTS	1
1	RH SIDE EXTENSION PANELS	2-3
2	LH SIDE EXTENSION PANELS	4-5
3	FRONT PANEL W/WINDOW	6-7
4	FRONT PANEL AND COMPONENTS	8-9
5	FRONT SHIELDS AND COMPONENTS	10-11
6	FLOOR HOLD DOWNS AND COMPONENTS	12-13
7	FLOOR CHAIN	14-15
8	FRONT IDLER SHAFT AND COMPONENTS	16-17
9	REAR DRIVE SHAFT AND COMPONENTS	18-19
10	GEARBOX AND COMPONENTS	20-21
11	GEARBOX	22-23
12	HYDRAULICS	24-25
13	LIGHTS	26-27
14	OPTIONAL TOP PIVOT REAR DOOR W/HYD GATE DELAY (BDOTPD)	28-29
15	OPTIONAL SEAL KIT FOR TOP PIVOT DOOR (FBOTPDSK)	30-31
16	OPTIONAL SWINGING BARN DOOR W/HYDRAULIC CLOSURE CHASSIS MOUNT (BDOSBD)	32-35
17	OPTIONAL ELECTRIC DRIVE SIDE-TO-SIDE TARP (BDOESST26)	36-37
18	OPTIONAL CHASSIS MOUNT KIT (BDOCMK)	38-39
19	OPTIONAL TRUCK MOUNT KIT (WBOTMK)	40-41
20	OPTIONAL SCREEN FILLER KIT-DEALER INSTALL (BDOSF26)	42-43
21	OPTIONAL ACTUATOR CONTROL FLIP DOWN FRONT (TDOEAC)	44-45
22	OPTIONAL ROOF HOOD (FBRH2627)	46-47
23	OPTIONAL SWINGING BARN DOORS W/AIR CLOSURE (TDOSBD)	48-51
24	OPTIONAL GRAIN HOPPER KIT W/HYD FLOW CONTROL (TDOGHK)	52-53
*	PARTS NOTES	54



INSTRUCTIONS FOR ORDERING PARTS

All service parts should be ordered through your authorized H&S dealer. Your Dealership will be able to give you faster service if you will provide them with the following:

1. All references to left or right apply to the machine as viewed from the rear.
2. Parts should not be ordered from illustration only. Please order complete part number.
3. If your dealer has to order parts, give shipping instructions:

VIA truck - large pieces (please specify local truck lines)

VIA United Parcel Service (include full address)

H&S MFG. CO. INC.	
MARSHFIELD, WIS.	
MOD. NO.	<input type="text"/>
SER. NO.	<input type="text"/>
DESCR.	<input type="text"/>

PLEASE RECORD NUMBERS FOR YOUR UNIT FOR QUICK REFERENCE

H&S IS CONTINUALLY STRIVING TO IMPROVE ITS PRODUCTS

We must, therefore, reserve the right to make improvements or changes whenever it becomes practical to do so, without incurring any obligation to make changes or additions to the equipment previously sold.





FIGURE 1
RH SIDE EXTENSION PANELS

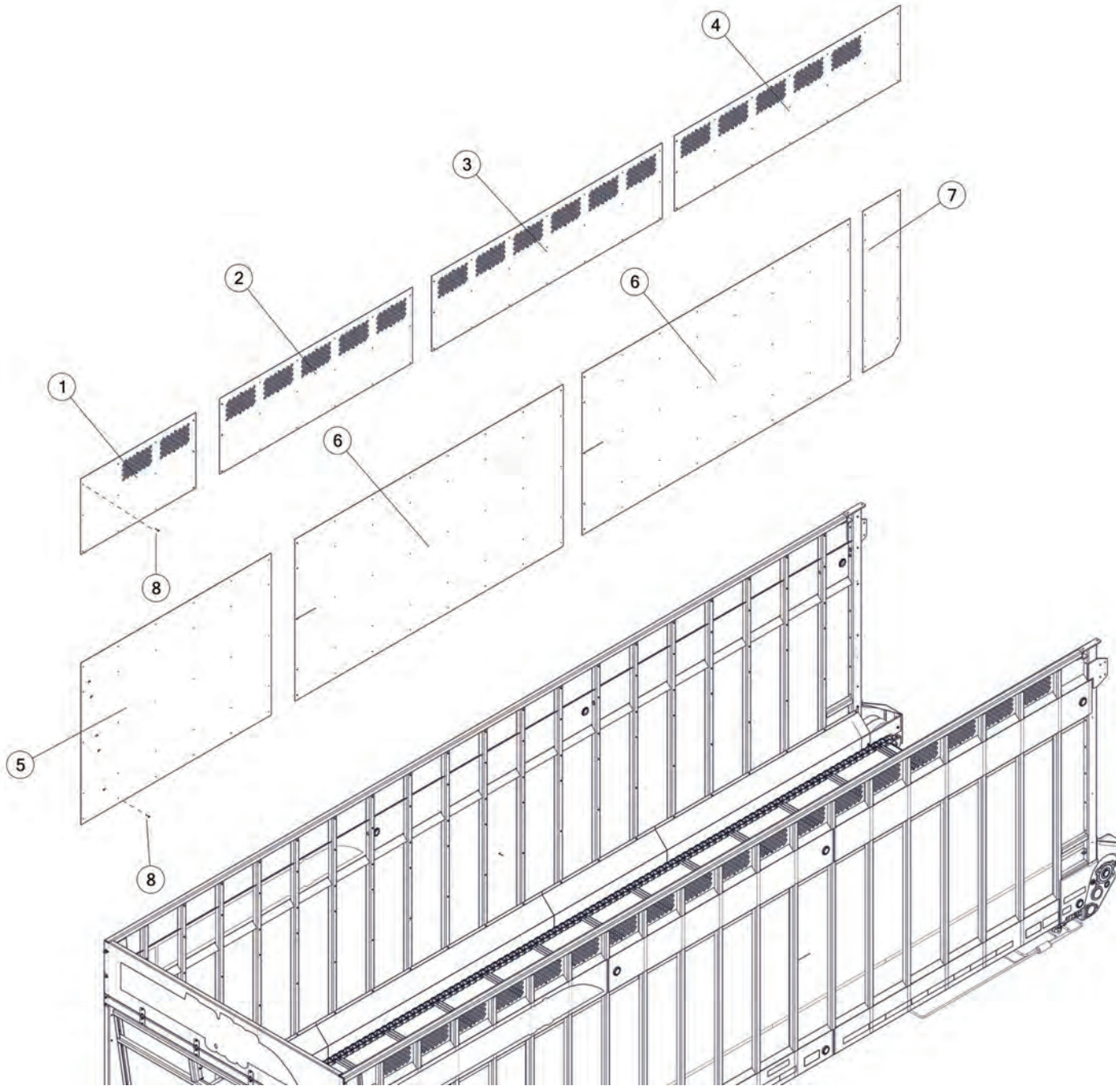




FIGURE 1

RH SIDE EXTENSION PANELS

REF #	PART #	DESCRIPTION	QTY
1	94377	SIDE EXTENSION, FRONT	1
2	94380	SIDE EXTENSION, CENTER	1
3	94376	SIDE EXTENSION, CENTER	1
4	94378	SIDE EXTENSION, REAR	1
5	94420	SS PANEL, FRONT RHS	1
6	94418	SS PANEL, CENTER	2
7	88051	STL PANEL, REAR SIDE	1
8	YSDR08005	SCREW SELF DRILL, HEX WASHER HEAD, 1/4 X 1	115
*	1043	RIVET	12





FIGURE 2

LH SIDE EXTENSION PANELS

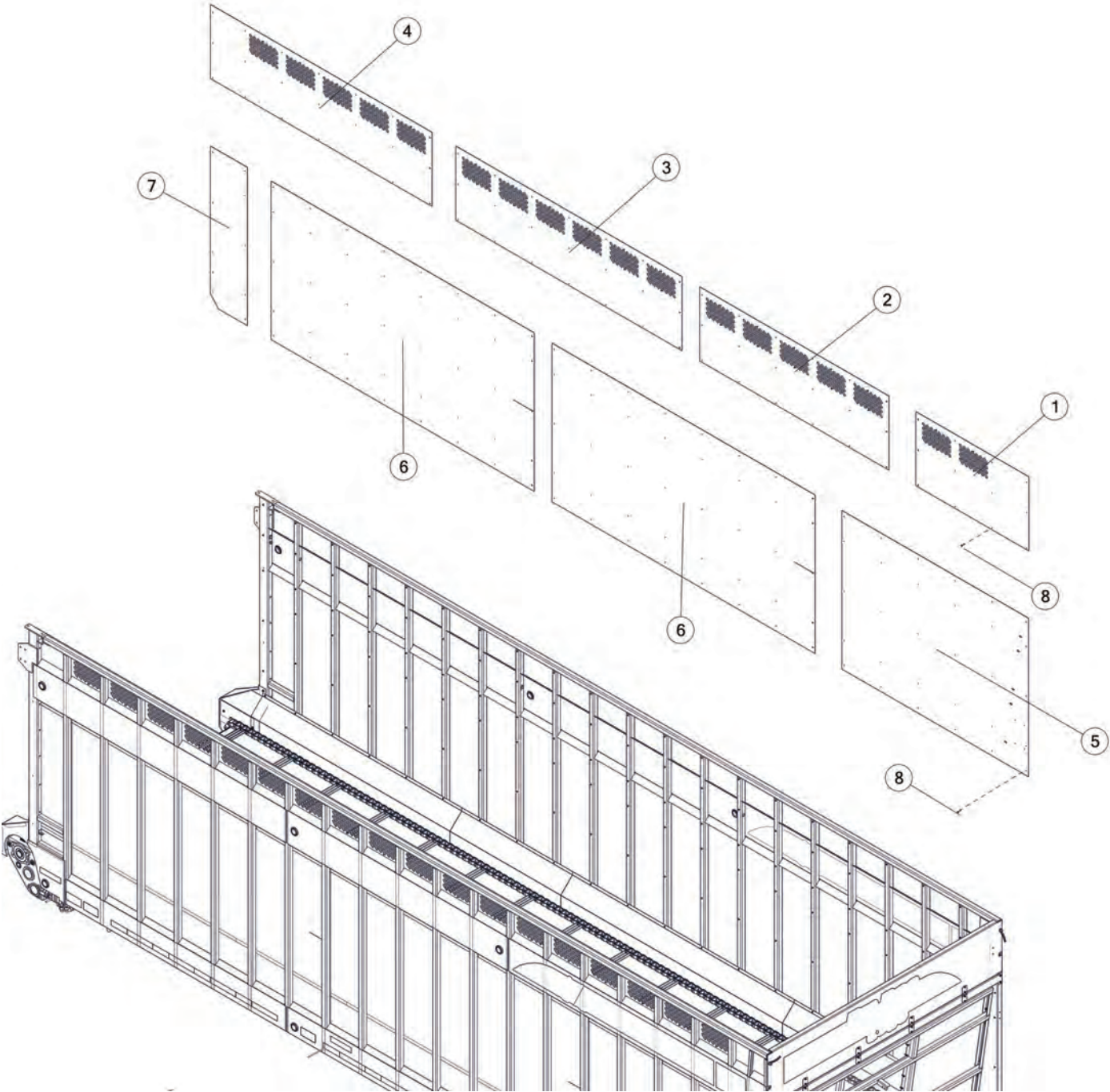




FIGURE 2 LH SIDE EXTENSION PANELS

REF #	PART #	DESCRIPTION	QTY
1	94377	SIDE EXTENSION, FRONT	1
2	94380	SIDE EXTENSION, CENTER	1
3	94376	SIDE EXTENSION, CENTER	1
4	94378	SIDE EXTENSION, REAR	1
5	94424	SS PANEL, FRONT, LH	1
6	94418	SS PANEL, CENTER	2
7	88051	STL PANEL, REAR SIDE	1
8	YSDR08005	SCREW SELF DRILL, HEX WASHER HEAD, 1/4 X 1	115
*	1043	RIVET	12





FIGURE 3
FRONT PANEL W/ WINDOW

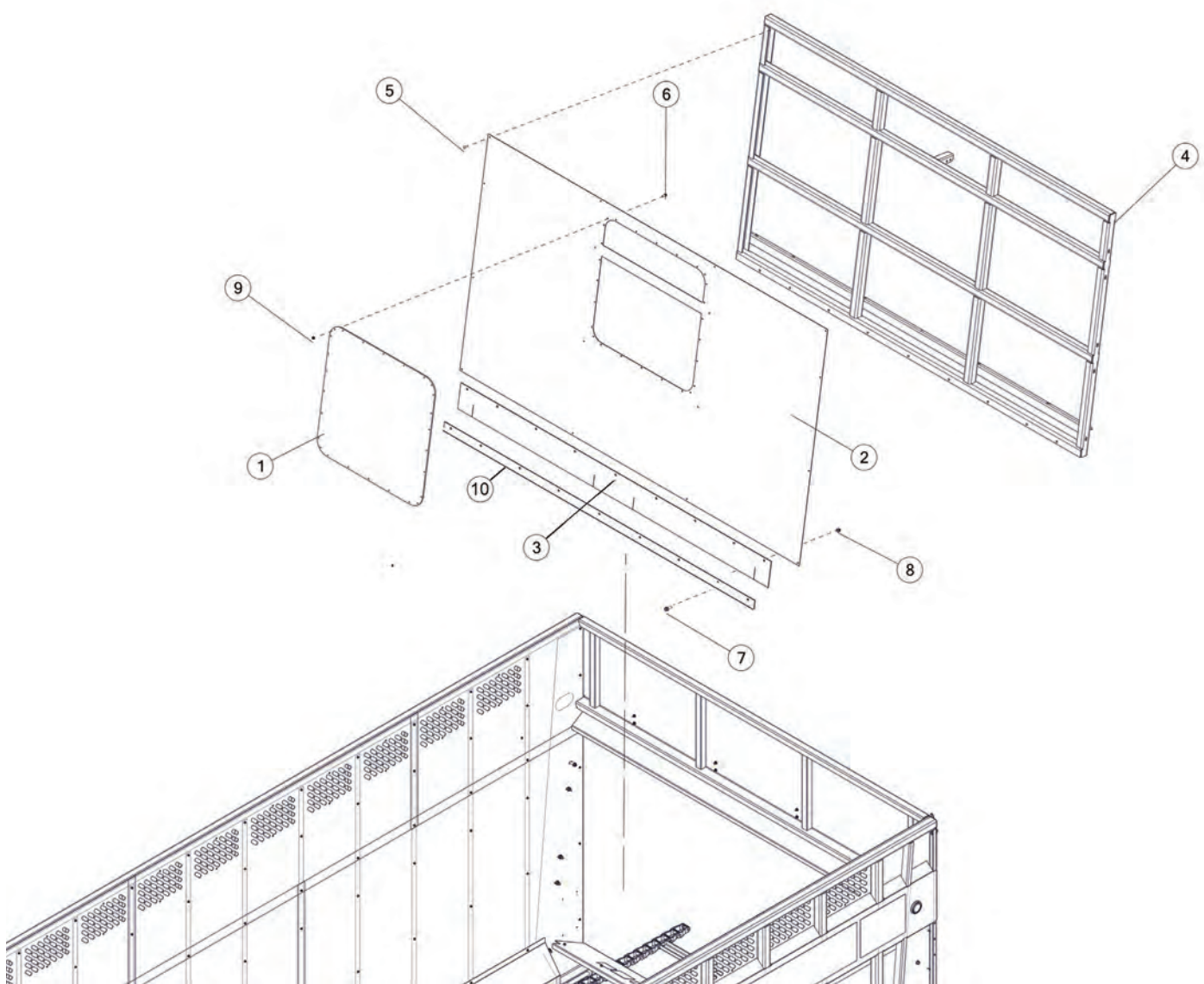




FIGURE 3

FRONT PANEL W/ WINDOW

REF #	PART #	DESCRIPTION	QTY
1	88713	LARGE WINDOW W/HOLES	1
2	88718	FRONT PANEL	1
3	94473	FRONT SEAL RUBBER	1
4	94474	FRAME, FRONT WALL	1
5	YSDR66007	SCREW SELF DRILLING, 12 X 1-1/4	16
6	YBFB08075	BOLT FLANGE, 1/4 X 3/4 G5	26
7	YBFB12125	BOLT FLANGE, 3/8 X 1-1/4 G5	9
8	YNFG12006	NUT FLANGE, 3/8 GF	9
9	YNFG08010	NUT FLANGE, 1/4 GF	26
10	94633	RUBBER STRAP, FRONT	1





FIGURE 4 FRONT PANEL AND COMPONENTS

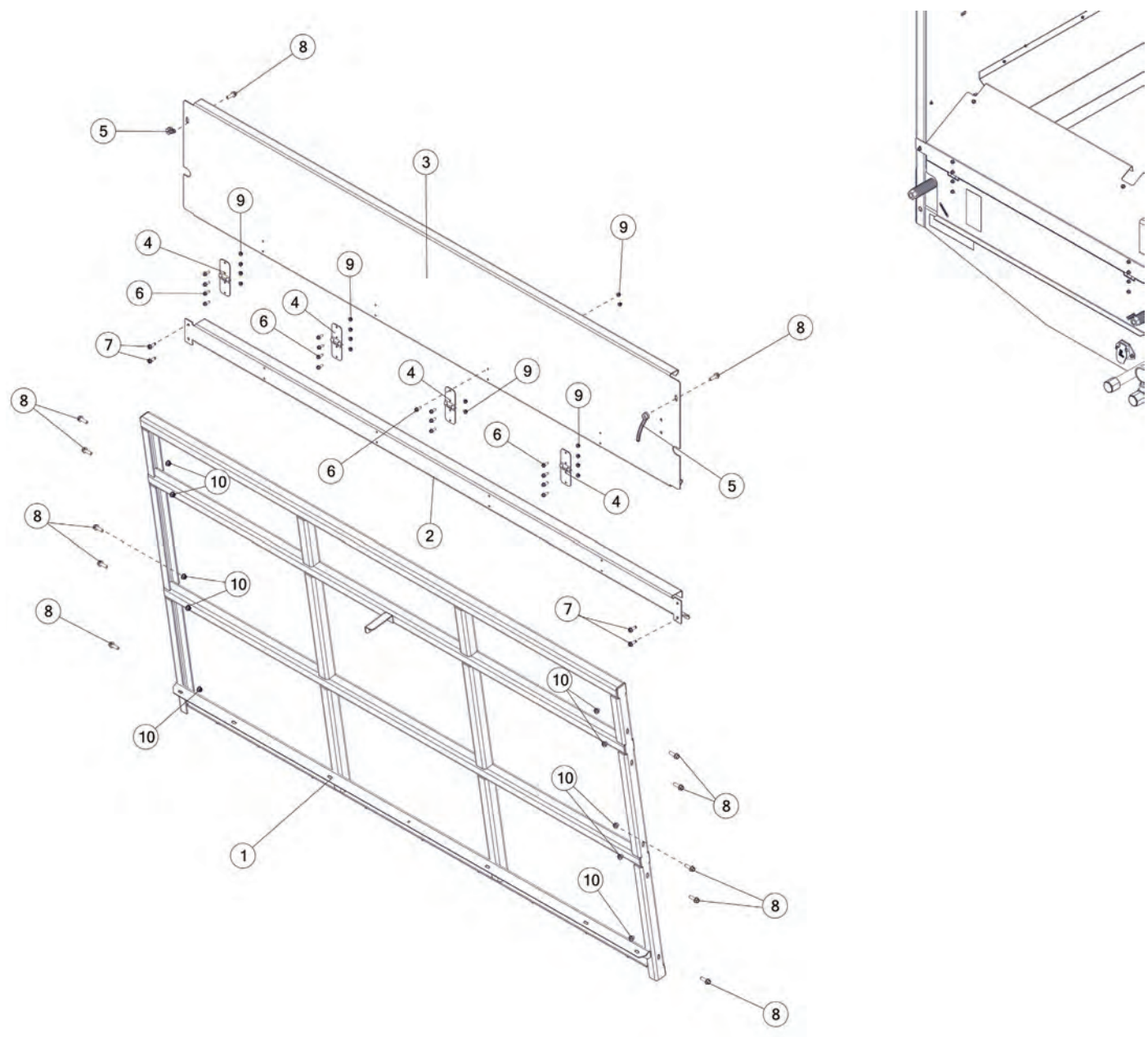




FIGURE 4
FRONT PANEL AND COMPONENTS

REF #	PART #	DESCRIPTION	QTY
1	94474	FRAME, FRONT WALL	1
2	94445	FRONT PANEL UPPER	1
3	94446	UPPER PANEL	1
4	82134	HINGE	4
5	S192	HANDLE NUT	2
6	YBFB08075	BOLT FLANGE, 1/4 X 3/4 G5	16
7	YSHW10005	THREAD CUTTING SCREW, 5/16 X 1	4
8	YBFB12125	BOLT FLANGE, 3/8 X 1-1/4 G5	10
9	YNFG08010	NUT FLANGE, 1/4 GF	16
10	YNFG12006	NUT FLANGE, 3/8 GF	10



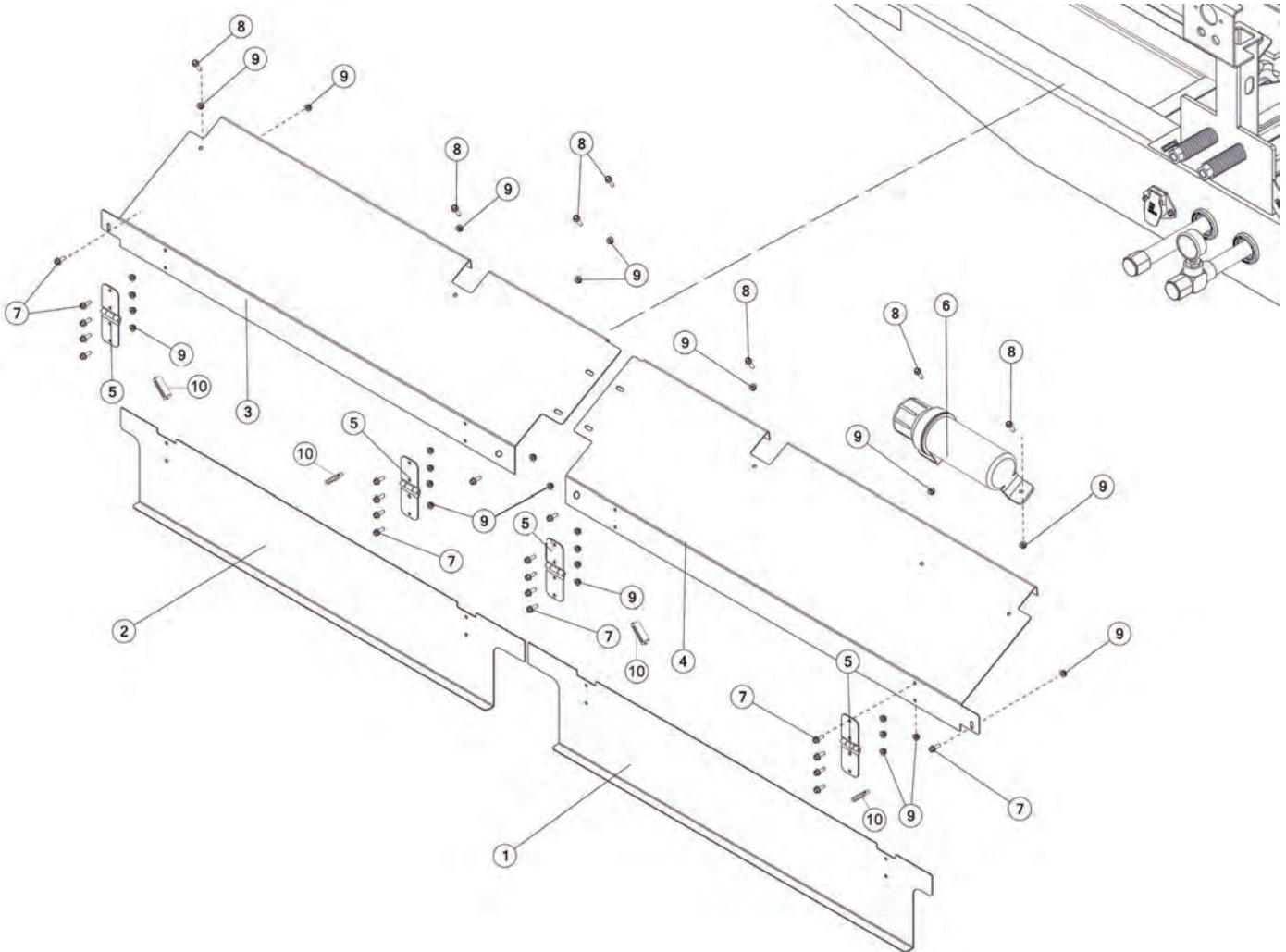




FIGURE 5 FRONT SHIELDS AND COMPONENTS

REF #	PART #	DESCRIPTION	QTY
1	94470B	SHIELD W/DECALS, RH FRONT	1
2	94453B	SHIELD W/DECALS, LH FRONT	1
3	94467	FRONT SHIELD	1
4	94468B	FRONT SHIELD SLANT W/DECALS, LH	1
5	82134	HINGE	4
6	S522	MANUAL HOLDER	1
7	YBFB08075	BOLT FLANGE, 1/4 X 3/4 G5	20
8	YBFB08100	BOLT FLANGE, 1/4 X 1 G5	7
9	YNFG08010	NUT FLANGE, 1/4 GF	27
10	82222	MAGNET, 14 LB	4



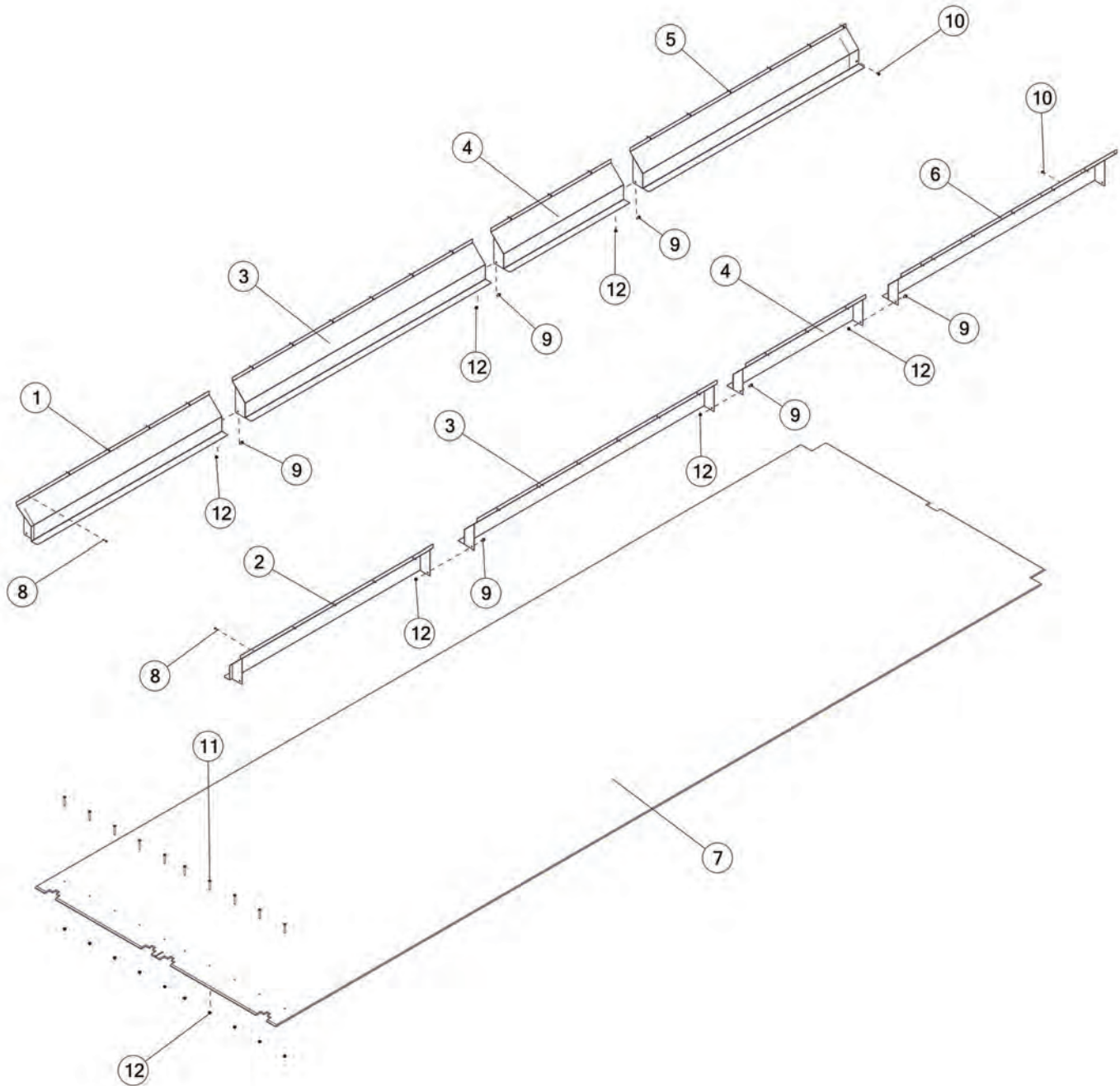




FIGURE 6 FLOOR HOLD DOWNS AND COMPONENTS

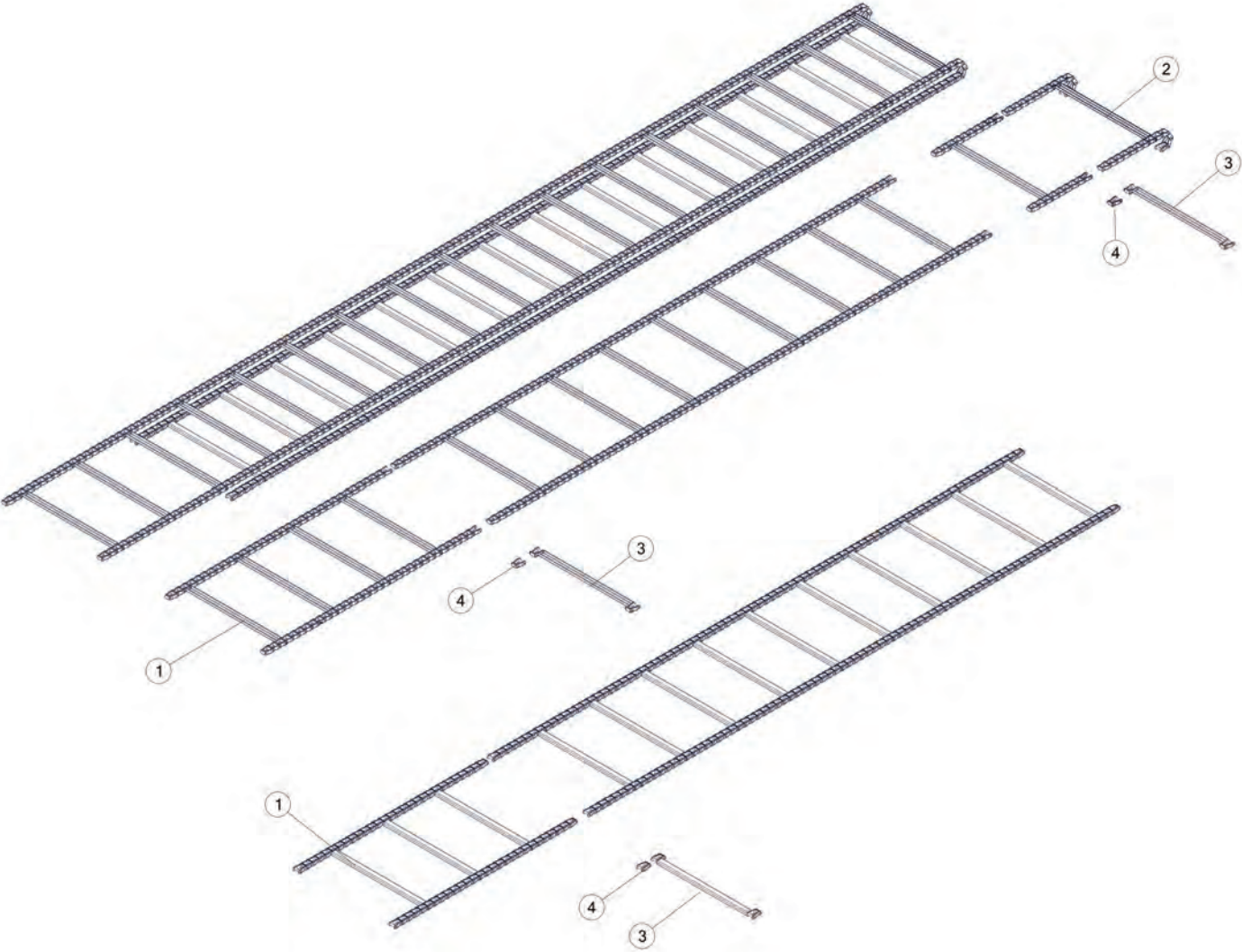
REF #	PART #	DESCRIPTION	QTY
1	88093	FRONT HOLD DOWN, LH	1
2	88095	FRONT HOLD DOWN, RH	1
3	88085	PANEL SLANT, CENTER	2
4	94438	PANEL SLANT, CENTER SHORT	2
5	88090	SLANT PANEL REAR, RH	1
6	88089	SLANT PANEL REAR, LH	1
7	94487	POLY FLOOR	1
8	YSDR08005	SCREW SELF DRILL, HEX WASHER HEAD, 1/4 X 1	40
9	YBFB12075	BOLT FLANGE, 3/8 X 3/4 G5	6
10	YSHW10034	THREAD CUTTING SCREW, 5/16 X 3/4	2
11	YSFS12020	BOLT FLAT SOK, 3/8-16 X 3 BO	10
12	YNFG12006	NUT FLANGE, 3/8 GF	16





FIGURE 7

FLOOR CHAIN



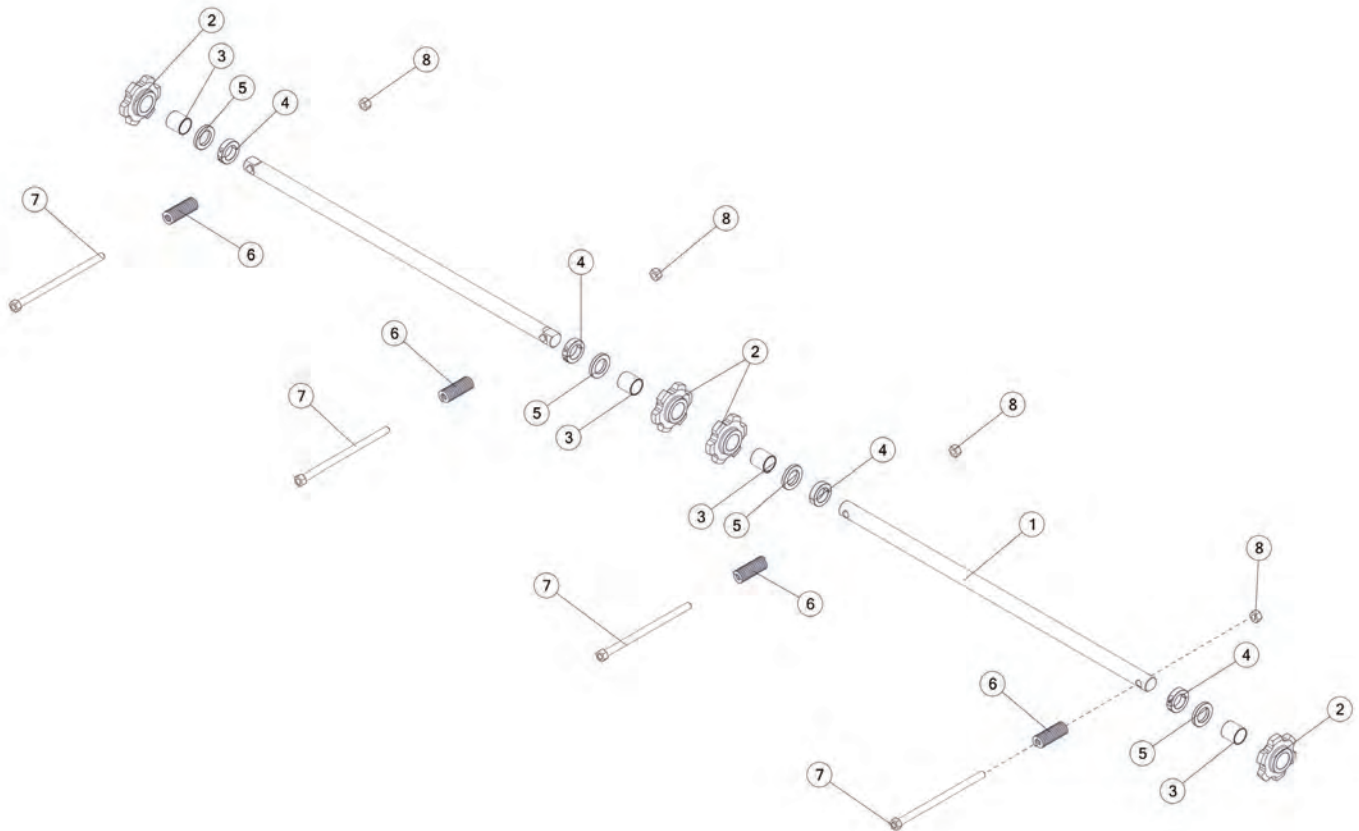




FIGURE 8
FRONT IDLER SHAFT AND COMPONENTS

REF #	PART #	DESCRIPTION	QTY
1	BBS29	IDLER SHAFT FRONT	2
2	BBSTSH07	IDLER SPROCKET, 88, C, 6	4
3	RGT3	BUSHING, 2 X 1.77 X 2 BRONZE	4
4	8340	STEEL SPLIT SHAFT COLLAR	4
5	BBSTPL05	IDLER SPROCKET POLY SPACER	4
6	BBS35	COMPRESSION SPRING	4
7	BBS34	TIGHTENER ROD	4
8	YNHX24004	NUT HEX, 3/4-10 NA G5 ZC	4





FIGURE 9 REAR DRIVE SHAFT AND COMPONENTS

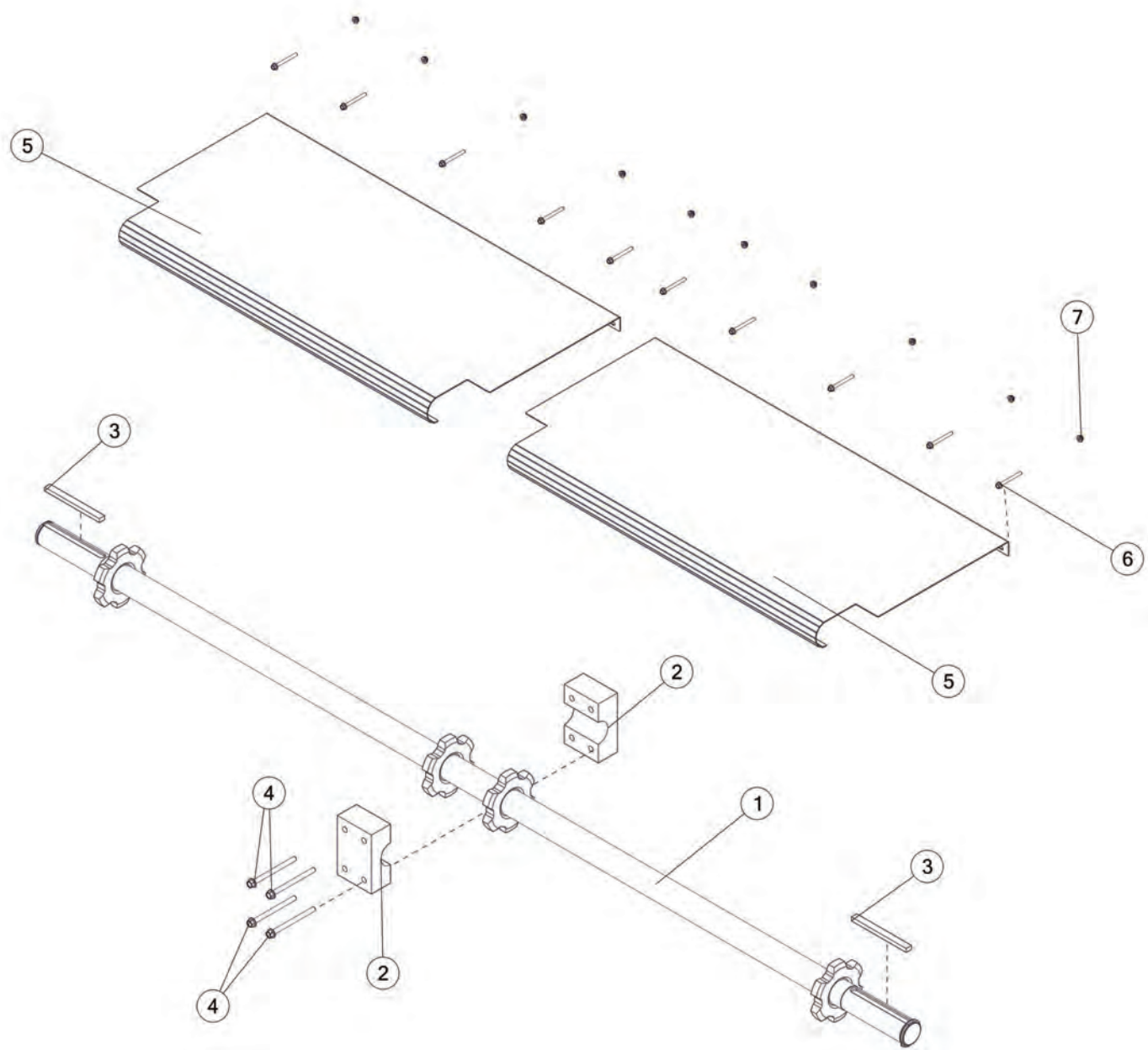
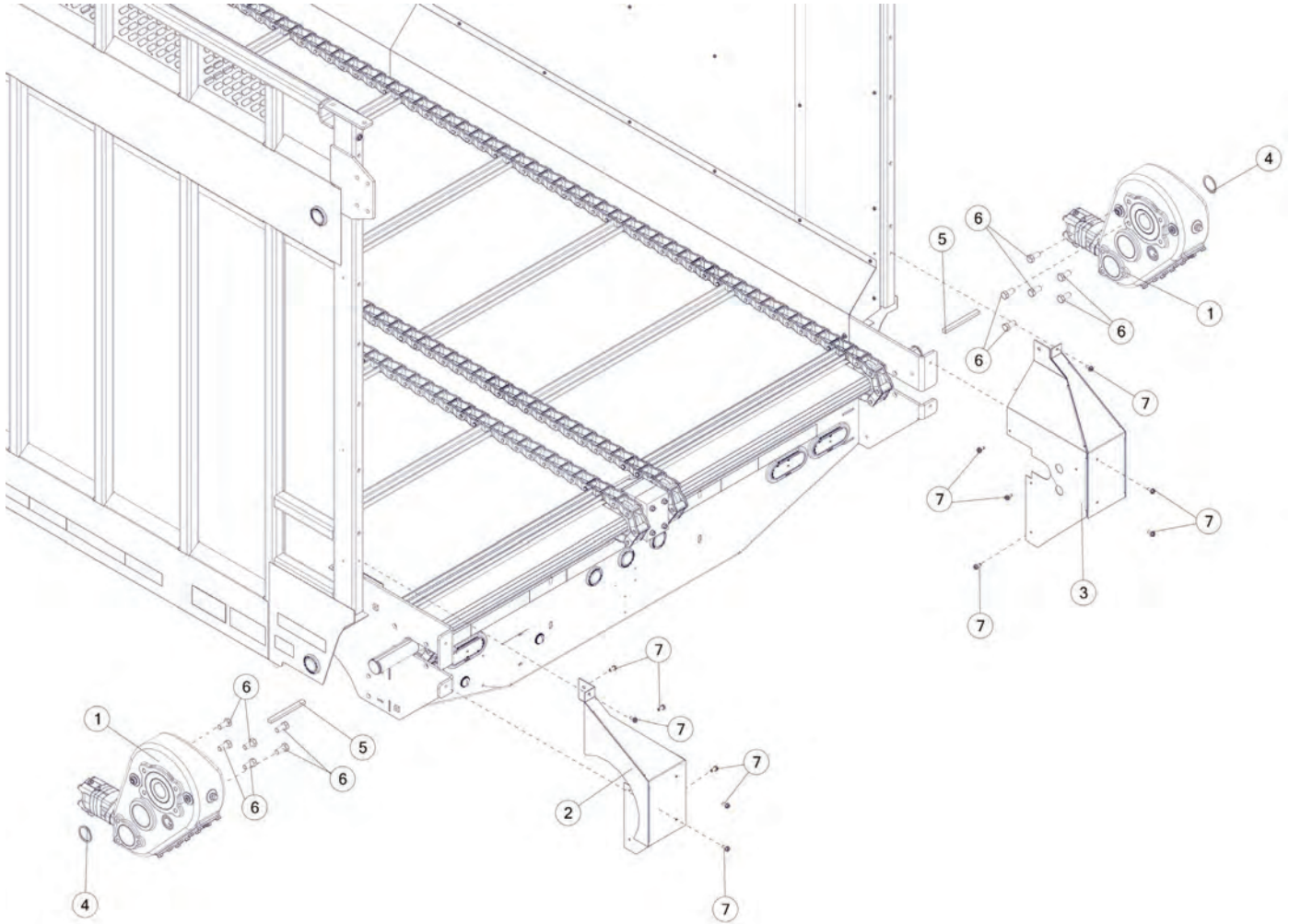




FIGURE 9 REAR DRIVE SHAFT AND COMPONENTS

REF #	PART #	DESCRIPTION	QTY
1	94394	DRIVE SHAFT	1
2	BBS62	CENTER DRIVE SHAFT BEARING	2
3	94395	RECTANGLE KEY, 16MM X 10MM	2
4	YBFB16500	BOLT FLANGE, 1/2 X 5 G5	4
5	93726	DRIVE SHAFT COVER	2
6	YBFB08250	BOLT FLANGE, 1/4 X 2-1/2 G5	10
7	YNFG08010	NUT FLANGE, 1/4 GF	10

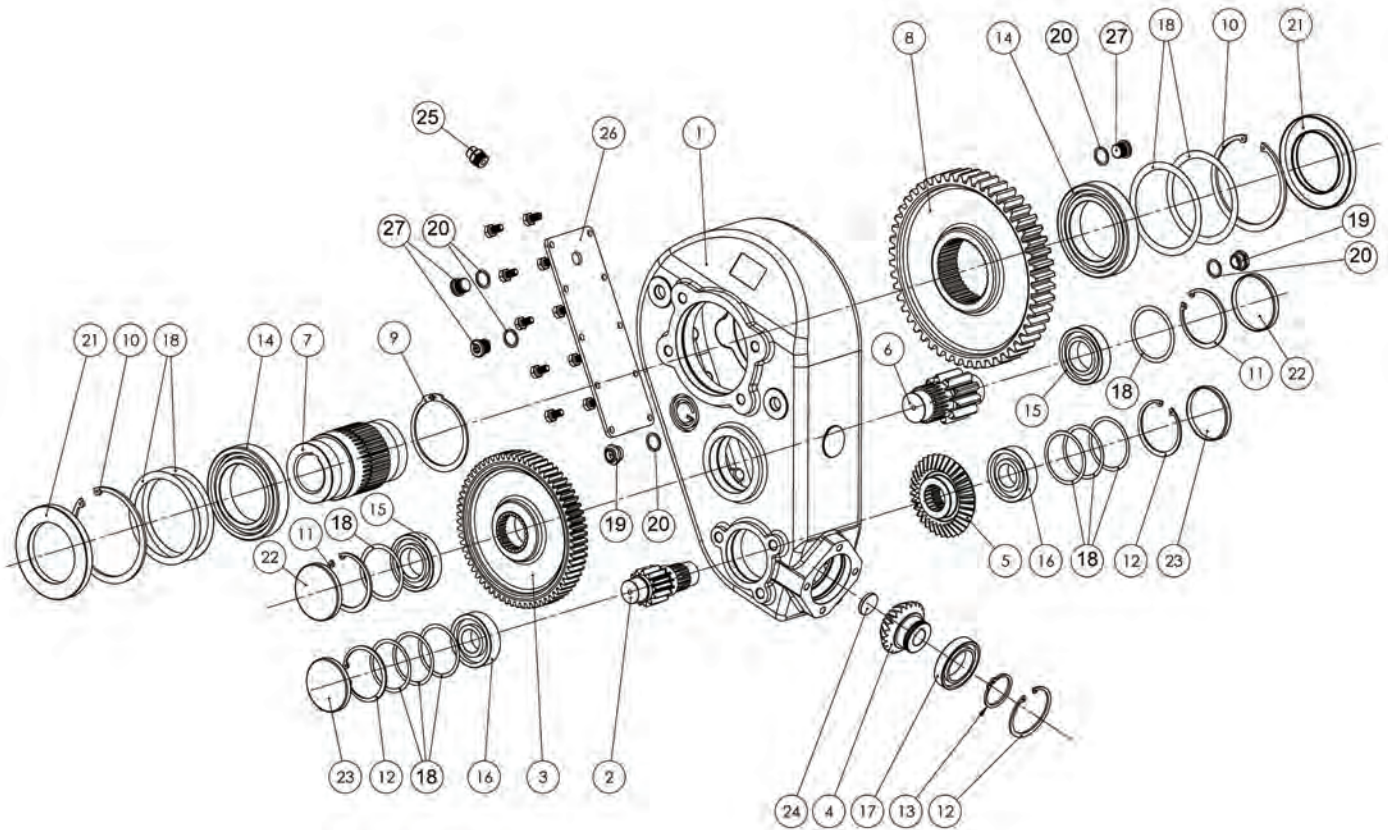






REF #	PART #	DESCRIPTION	QTY
1	91430	GEARBOX ASSEMBLY	2
2	94432	GEARBOX SHIELD, LH	1
3	94267	GEARBOX SHIELD, RH	1
4	88674	SNAP RING, EXTERNAL	2
5	94395	RECTANGLE KEY, 16MM X 10MM	2
6	YBHH82035	BOLT HEX, M16-2 X 35 10.9 ZC	12
7	YSHW10034	THREAD CUTTING SCREW, 5/16 X 3/4	12





REF #	PART #	DESCRIPTION	QTY
1	94061	GEARBOX HOUSING	1
2	94701	SPUR, GEAR	1
3	94702	CROWN, GEAR	1
4	94079	PINION, GEAR	1
5	94703	CROWN, GEAR	1
6	94704	PINION, GEAR	1
7	94057	SLEEVE, SHAFT	1
8	94705	CROWN, GEAR	1
9	94706	SNAP RING	1
10	94078	SNAP RING	2
11	93087	SNAP RING	2
12	94076	SNAP RING	3
13	94075	SNAP RING	1
14	94074	BEARING	2
15	93009	BEARING	2
16	94072	BEARING	2
17	94071	BEARING	1
18	94707	SHIM KIT	1
19	94065	OIL LEVEL PLUG	2
20	94066	WASHER	6
21	94070	SEAL	2
22	94069	CAP	2
23	94068	CAP	2
24	94067	CAP	1
25	94063	BREATHER	1
26	94062	COVER PLATE	1
27	94064	OIL PLUG	4





FIGURE 12

HYDRAULICS

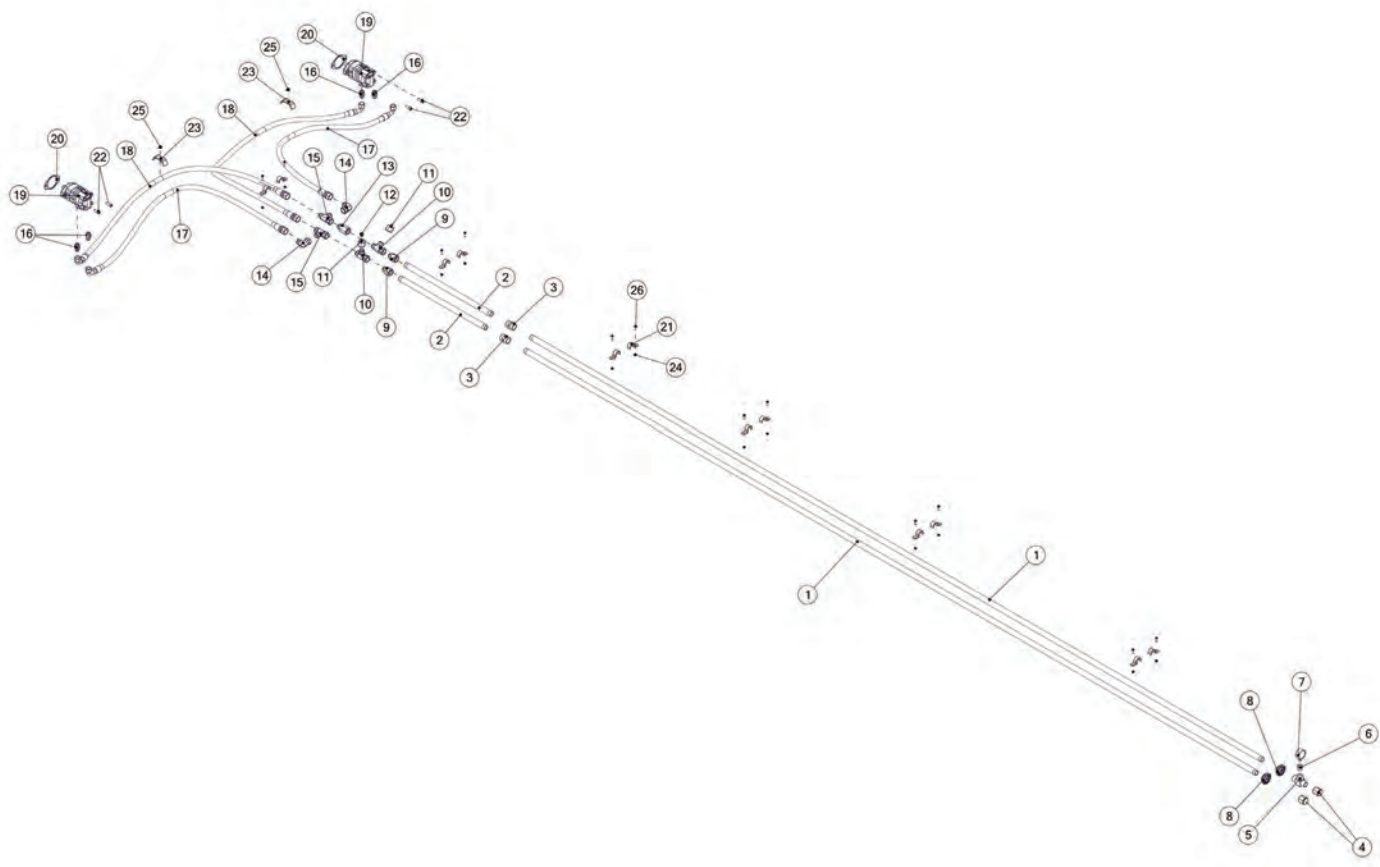




FIGURE 12 HYDRAULICS

REF #	PART #	DESCRIPTION	QTY
1	BBSTPI02	HYDRAULIC LINE, 1	2
2	82699	HYDRAULIC LINE, 1	2
3	BBS85	MALE 1 PIPE COUPLING, 5000-16-16	2
4	82957	FITTING, CAP, 1 NPT	2
5	DWM113	SERVICE TEE	1
6	BBS37	BUSHING, 1 NPTF TO 1/4 NPTF	1
7	BBS33	GAUGE, 4000 PSI	1
8	BBS91	ROUND LIGHT GROMMET	2
9	BBS65	FITTING, STRAIGHT, 16JIC X 16NPT	2
10	CHM182	FITTING, TEE, 16JIC X 16JIC X 16JIC	2
11	CHM183	FITTING, STRAIGHT, 16JIC X 6JIC	2
12	83114	FITTING CAP, 6JIC	1
13	53829	HYDRAULIC VALVE, CHECK, 1	1
14	8021	SWIVEL NUT ELBOW	2
15	CHM182	FITTING, TEE, 16JIC X 16JIC X 16JIC	2
16	GM21	FITTING, STRAIGHT, 12JIC X 10ORB STL	4
17	BBSTMS17	HYDRAULIC HOSE, 12, 61	2
18	BBSTMS18	HYDRAULIC HOSE, 12, 66	2
19	88033	HYDRAULIC MOTOR	2
20	94375	GASKET, HYDRAULIC MOTOR	2
21	BBS86	PIPE CLAMP	12
22	YSHM78030	BOLT SOCKET, M12-1.75 X 30 8.8 BO	4
23	T223	HOSE BRACKET	2
24	YNFG08010	NUT FLANGE, 1/4 GF	12
25	YNFG12006	NUT FLANGE, 3/8 GF	2
26	YBFB08100	BOLT FLANGE, 1/4 X 1 G5	12





FIGURE 13

LIGHTS

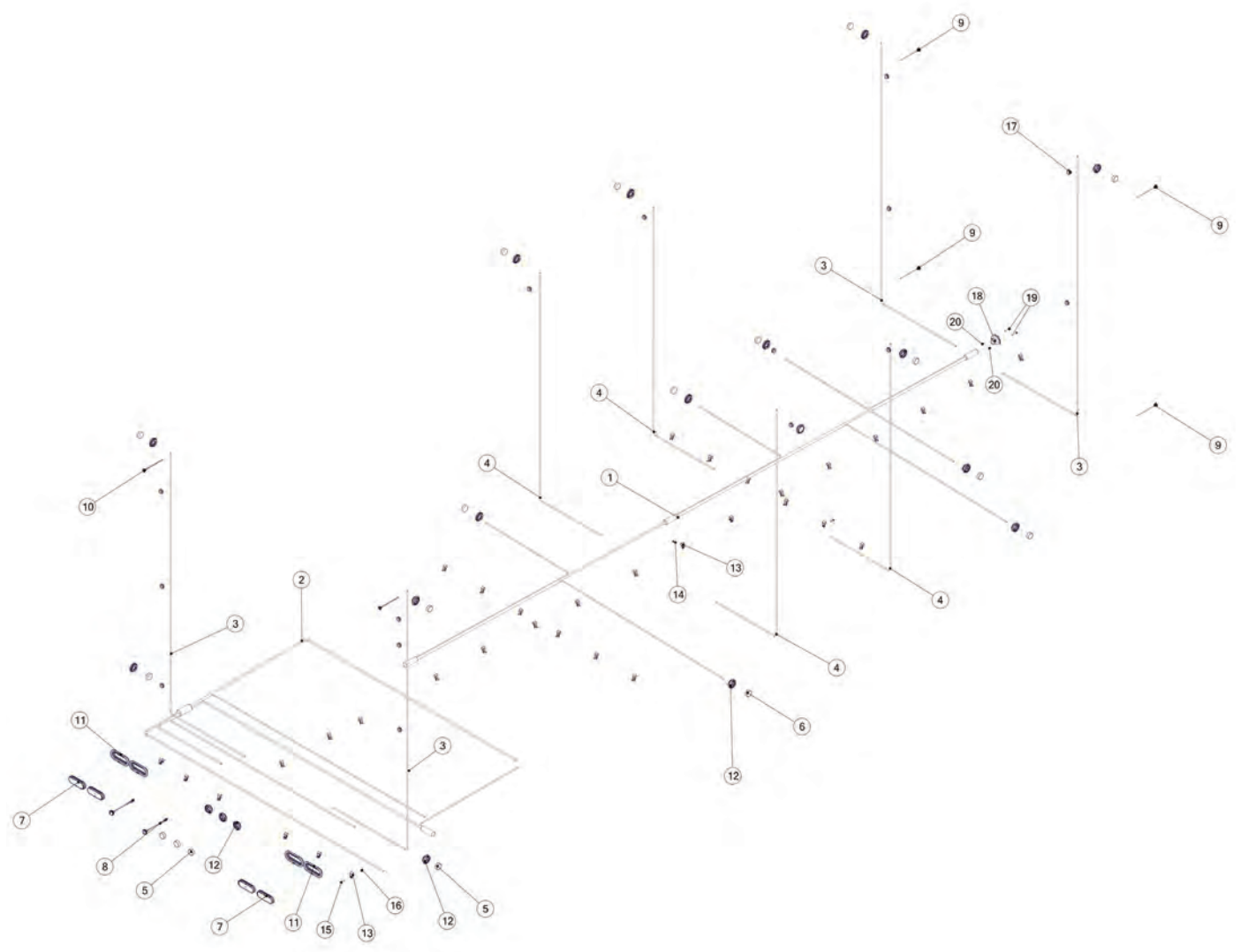




FIGURE 13

LIGHTS

REF #	PART #	DESCRIPTION	QTY
1	96784	HARNESS, MID MAIN	1
2	97127	REAR HARNESS	1
3	78654	ELECT HARNESS, F/R UPPER MARKER	4
4	78655	ELECT HARNESS, MID MARKER	4
5	BBS92	MARKER LIGHT, RED ROUND	7
6	BBS93	MARKER LIGHT, AMBER ROUND	12
7	78671	RED LED LIGHT, OVAL	4
8	BBS98	LICENSE LIGHT	2
9	8033	AMBER LED LIGHT, ROUND	4
10	8620	RED LED LIGHT, ROUND	2
11	S308	OVAL LIGHT GROMMET	4
12	BBS91	ROUND LIGHT GROMMET	19
13	HGV72	CUSHION WIRE CLAMP 3/4	34
14	YSDR08005	SELF DRILL SCREW, HEX WASH HD, 1/4-14 X 1 ZC	28
15	YBHH10010	BOLT HEX, 5/16-18 X 1 G5 ZC	6
16	YNFG10005	NUT FLANGE, 5/16 GF	6
17	8030	PUSH-IN MIL SPEC GROMMET	16
18	96182	ELECTRIC HARNESS	1
19	YBFB08175	BOLT FLANGE, 1/4 X 1-3/4 G5	2
20	YNFG08010	NUT FLANGE, 1/4 GF	2



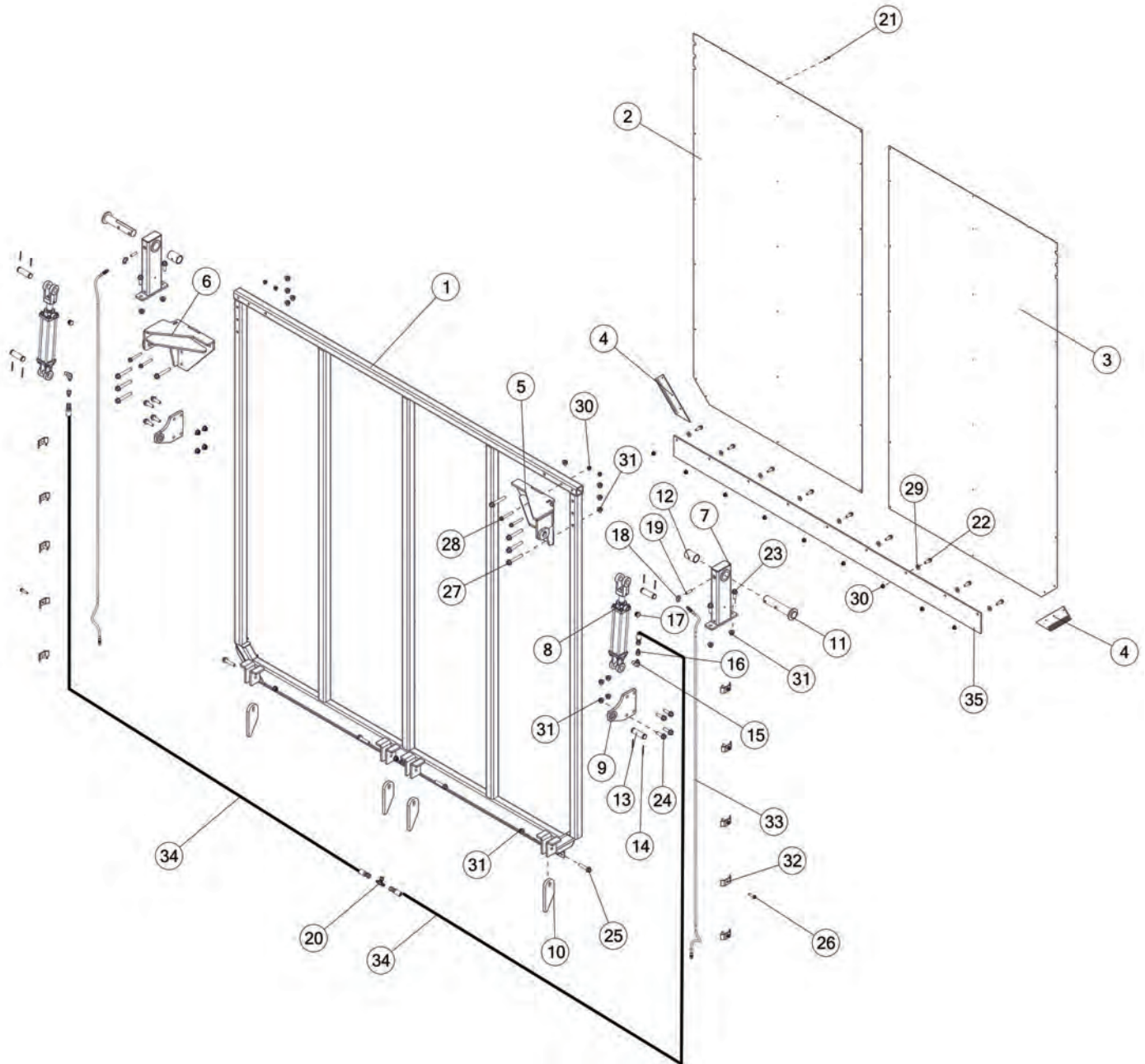




FIGURE 14 OPTIONAL BDOTPD

TOP PIVOT REAR DOOR W/HYD GATE DELAY

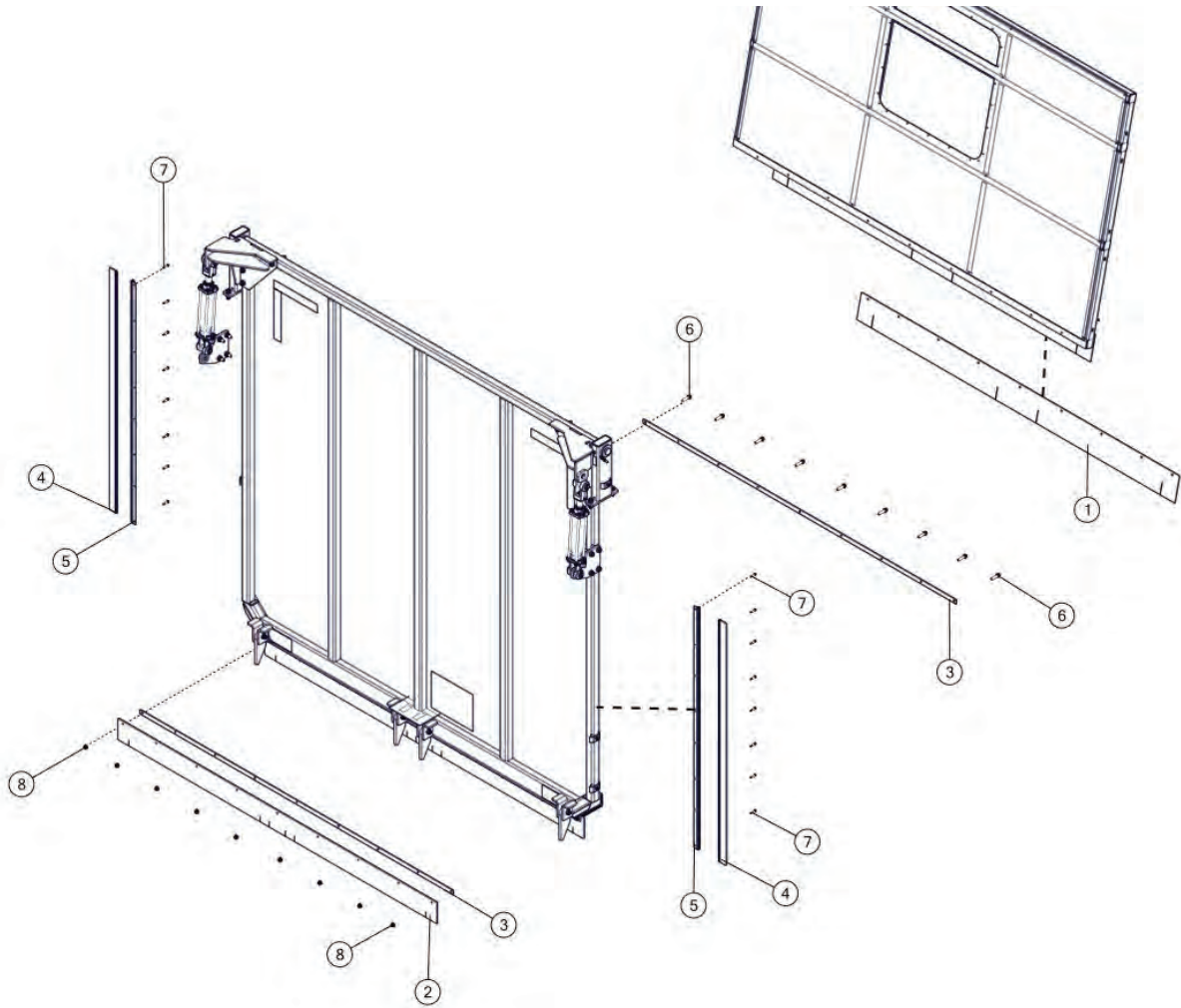
REF #	PART #	DESCRIPTION	QTY
1	96998	DOOR	1
2	97006	DOOR SKIN, LH	1
3	97008	DOOR SKIN, RH	1
4	88283	CORNER DOOR SEAL	2
5	89945	UPPER GATE DELAY MOUNT, RH	1
6	89265	UPPER GATE DELAY MOUNT, LH	1
7	94542	STAKE TOP REAR ASSEMBLY	2
8	55999	CYLINDER, 2 x 8 3000 PSI	2
*	56187	SEAL KIT	2
9	89267	LOWER GATE DELAY MOUNT	2
10	BBS67	LATCH	4
11	BBS64	DOOR HINGE PIN	2
12	BFR625	BRONZE BUSHING, TANDEM PIN	2
13	T143	HYDRAULIC CYLINDER PIN	4
14	YPCT05010	COTTER PIN, 5/32 X 1-1/2	8
15	CHM164	FITTING 90, 6JIC X 3/8NPT	2
16	58144	IN-LINE CONNECTOR, ORIFICE, 6-XHX7-S .062	2
17	BFR70	VENT PLUG, 3/8	2
18	90684	FITTING 90, 1/8NPT, 1/8NPT	2
19	90681	PIPE NIPPLE	2
20	58137	FITTING T, 6JIC, 6JIC 6JIC	1
21	YSDR66005	SELF DRILL SCREW, HEX WASHER HD, #12 X 1 ZC	42
22	YBFB12125	BOLT FLANGE, 3/8 X 1-1/4 G5	9
23	YBFB16150	BOLT FLANGE, 1/2 X 1-1/2 G5	4
24	YBFB16175	BOLT FLANGE, 1/2 X 1-3/4 G5	8
25	YBFB16250	BOLT FLANGE, 1/2 X 2-1/2 G5	4
26	YSHW10020	THREAD CUTTING SCREW, 5/16 X 1-1/2	10
27	YBFB16350	BOLT FLANGE, 1/2 X 3-1/2 G5	8
28	YBFB12300	BOLT FLANGE, 3/8 X 3 G5	4
29	YWFL12005	WASHER FLAT, 3/8 USS	9
30	YNFG12006	NUT FLANGE, 3/8 GF	13
31	YNFG16003	NUT FLANGE, 1/2 GF	24
32	23N67	FRONT HOSE BRACKET	10
33	90729	HYDRAULIC HOSE, 2, 88	2
34	78689	HYDRAULIC HOSE, 6, 230	2
35	94722	DOOR RUBBER, REAR	1





FIGURE 15

OPTIONAL FBOTPDSK SEAL KIT FOR TOP PIVOT DOOR



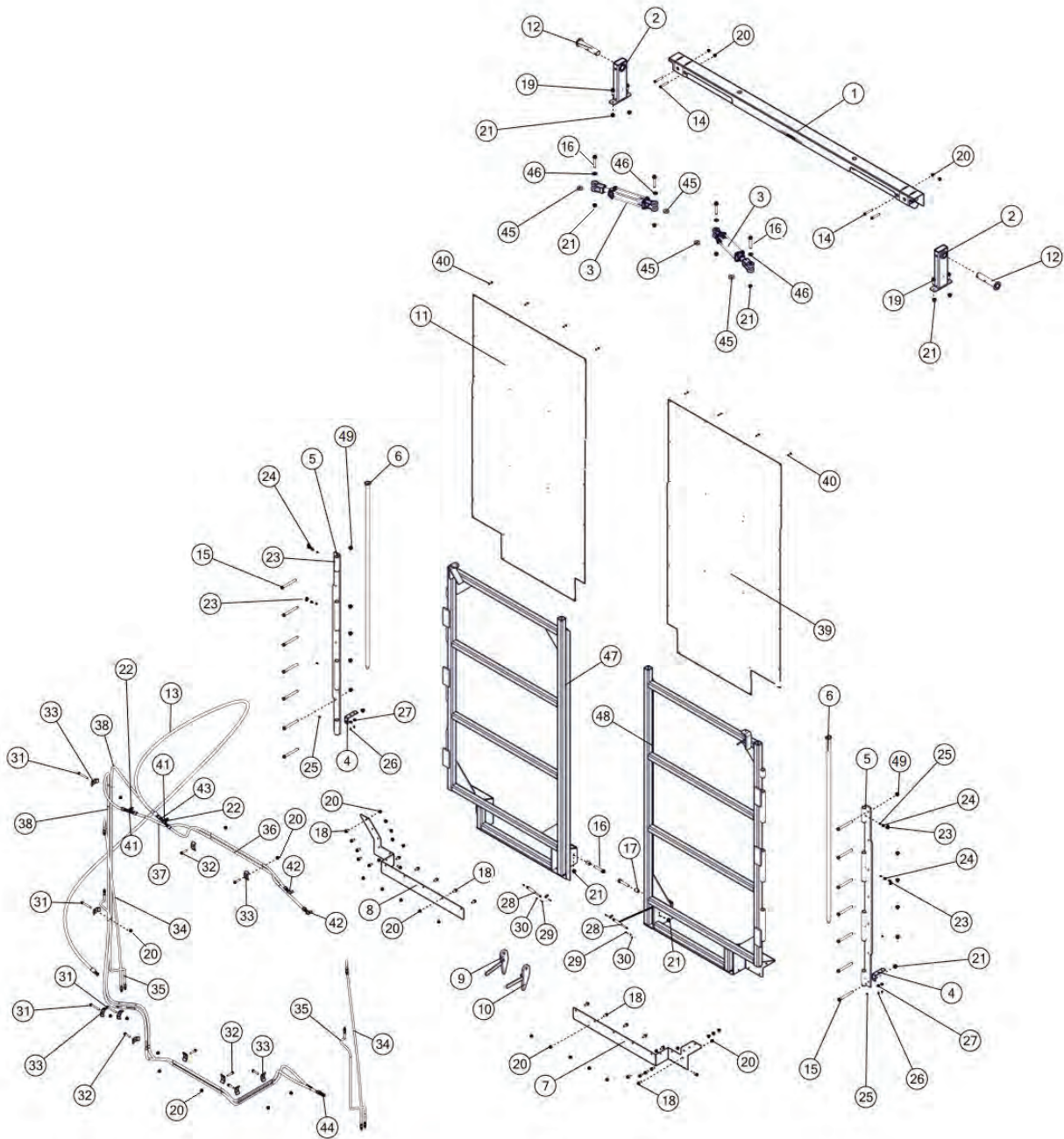




FIGURE 16

OPTIONAL BDOSBD - SWINGING BARN DOOR W/HYD CLOSURE CHASSIS MOUNT

REF #	PART #	DESCRIPTION	QTY
1	80317	TOP CHANNEL	1
2	BBS20	STAKE TOP, BACK RH	2
3	85176	CYLINDER, 2 X 8 3000 PSI	2
4	94849	PLATE, GREASE LINE	2
5	82438	HINGE	2
6	82449	DOOR HINGE PIN	2
7	0227RU01	DOOR SEAL BOTTOM	1
8	94790	DOOR SEAL BOTTOM	1
9	0227WE07	LATCH, LH	1
10	0227WE08	LATCH, RH	1
11	94794	PANEL, STAINLESS BARN DOOR, LH	1
12	BBS64	DOOR HINGE PIN	2
13	78689	HYDRAULIC HOSE, 6, 230	1
14	YBHH12120	BOLT HEX, 3/8 X 3 G5	4
15	YBHH16160	BOLT HEX, 1/2-13 X 5-1/2 G5	14
16	YBFB16350	BOLT FLANGE, 1/2 X 3-1/2 G5	6
17	0227PI02	LATCH SPACER	2
18	YBFB12003	BOLT FLANGE, 3/8 X 1 G5	22
19	YBFB16150	BOLT FLANGE, 1/2 X 1-1/2 G5	4
20	YNFG12006	NUT FLANGE, 3/8 GF	26
21	YNFG16005	NUT FLANGE, 1/2-13 LKTL G ZC	24
22	58124	FITTING STRAIGHT, 04JIC, 06NPT	2
23	89726	FITTING 90, 1/8NPT X 1/8NPSM	4
24	TS323	FITTING STRAIGHT, 1/4-28, 1/8-27NPT	4
25	MS26	STRAIGHT ZERK, 1/4-28	8
26	G89	STRAIGHT ZERK, 1/4-28	4
27	YNJM04005	NUT, JAM, 1/8 A	4
28	SD190	GAS STRUT	2
29	1135	SCREW MACHINE, PHILLIPS HEAD, #8-32 X 3/4	4
30	YNHX62005	NUT HEX, MACHINE, #8-32 NA ZC	4
31	YBFB10350	BOLT FLANGE, 5/16 X 3-1/2 G8	4
32	YBFB10200	BOLT FLANGE, 5/16 X 2 G5	7
33	23N67	FRONT HOSE BRACKET	11
34	88909	GREASE HOSE, 3, 66	2
35	89739	GREASE HOSE, 3, 45	2
36	85174	HYDRAULIC HOSE, 4, 58	1
37	85189	HYDRAULIC HOSE, 4, 80	1
38	85154	HYDRAULIC HOSE, 4, 224	2
39	94802	PANEL, STAINLESS BARN DOOR, RH	1





FIGURE 16

OPTIONAL BDOSBD - SWINGING BARN DOOR

W/HYD CLOSURE CHASSIS MOUNT

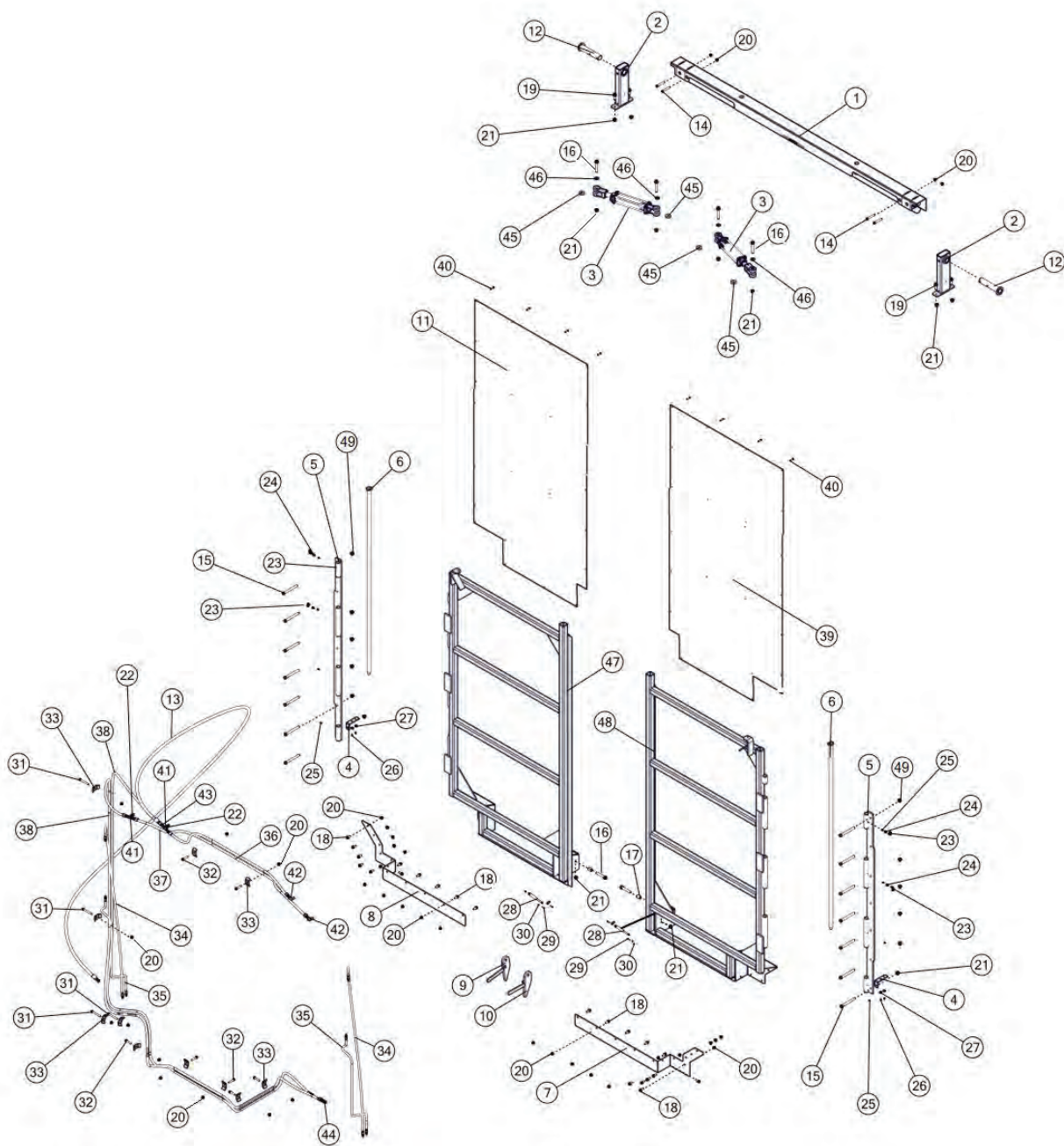




FIGURE 16
OPTIONAL BDOBSD - SWINGING BARN DOOR
W/HYD CLOSURE CHASSIS MOUNT

REF #	PART #	DESCRIPTION	QTY
40	YSDR66007	SELF DRILL SCR, HEX WASH HD, #12-14 X 1-1/4 ZC	48
41	58102	FITTING T, 4JIC, 4JIC, 4JIC	2
42	58444	FITTING 90, 4JIC, 3/8NPT	2
43	71802	FITTING STRAIGHT, 6 MALE JIC, 4 FEMALE JIC, STL	1
44	58143	IN-LINE CONNECTOR, ORIFICE, 6-XHX7-S .047	1
45	84589	CYLINDER SPACER	4
46	YWFL16005	WASHER FLAT, 1/2	4
47	94766	DOOR, LH	1
48	94798	DOOR, RH	1
*	94797	DOOR ASSEMBLY, RH	1
*	94783	DOOR ASSEMBLY, LH	1
49	YNFG10005	NUT FLANGE, 5/16 GF	13





FIGURE 17

OPTIONAL BDOESST26 ELECTRIC DRIVE SIDE-TO-SIDE TARP

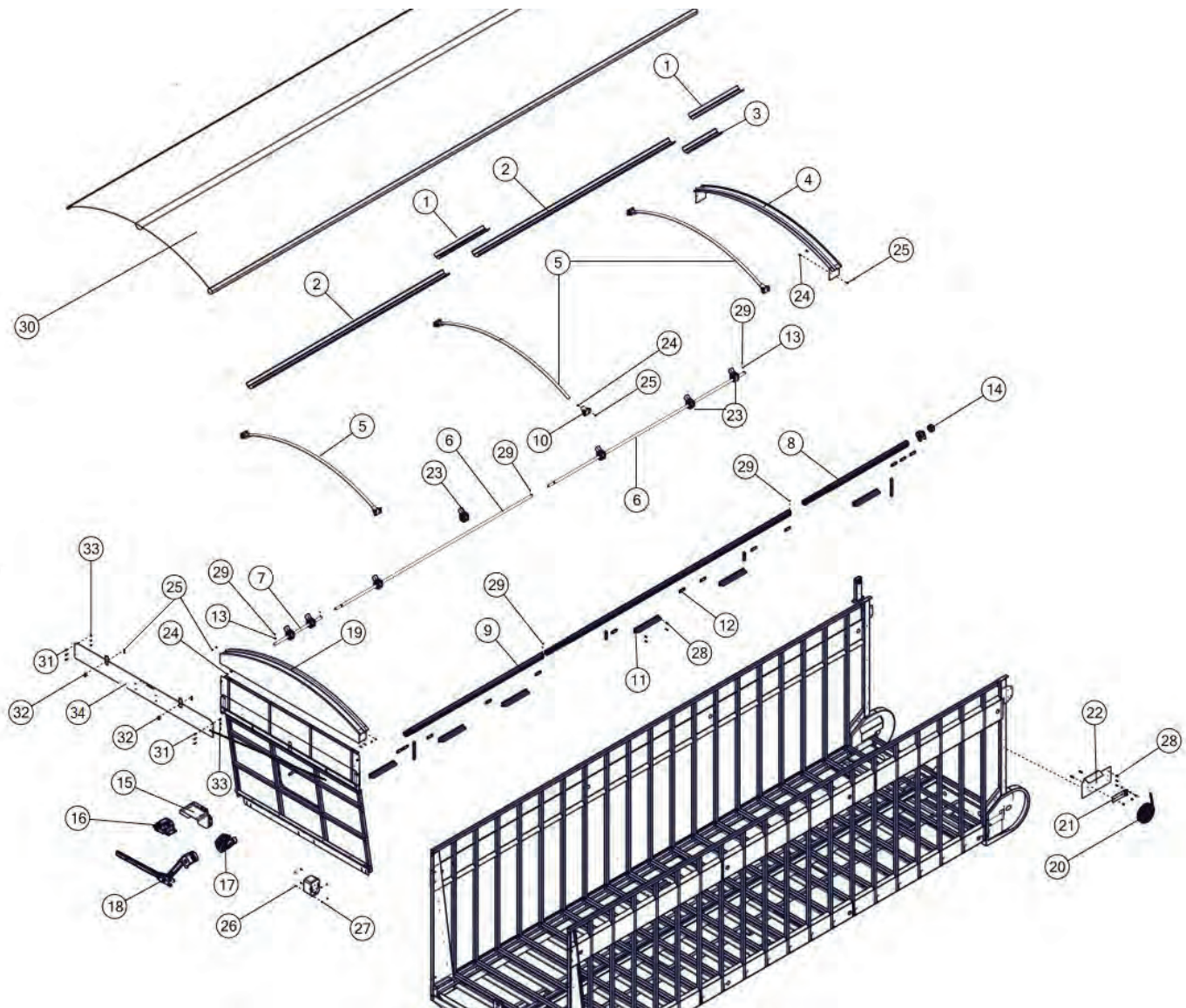




FIGURE 17

OPTIONAL BDOESST26

ELECTRIC DRIVE SIDE-TO-SIDE TARP

REF #	PART #	DESCRIPTION	QTY
1	92882	RIDGE POLE SPLICE	2
2	92818	RIDGE POLE,	2
3	92821	RIDGE POLE, 72	1
4	93117	END CAP ARCH	1
5	93115	BOW	6
6	92823	TARP POLE	2
7	93795	TUBE, 88	1
8	92807	AXLE, 3 MIDDLE	2
9	93778	AXLE, FRONT	1
10	93408	BRACKET, BOW	6
11	92813	LOCKING LIP	6
12	92812	TARP CLIP	13
13	YWFL08005	WASHER FLAT, 1/4	2
14	92814	CAP	1
15	92829	BRACKET	1
16	92828	PIVOT ASSEMBLY	1
17	92836	TARP MOTOR	1
18	92833	PIVOT ARM ASSEMBLY	1
19	92792	END CAP	1
20	92797	SPOOL, ROLL RITE	1
21	92801	BRACKET, MOUNTING SPOOL	1
22	89901	TARP SPRING BRACKET	1
23	92811	TARP STOP	7
24	YBFB10001	BOLT FLANGE, 5/16 X 1 G5	24
25	YNFG10005	NUT FLANGE, 5/16 GF	20
26	YBFB08100	BOLT FLANGE, 1/4 X 1 G5	4
27	YNFG08010	NUT FLANGE, 1/4 GF	4
28	YSWH10005	SCREW, HEX WASH HD, 5/16-18 X 1-1/4	36
29	GM234	RIVET, 3/16 DIA, .376 - .50 GRIP	6
30	93811	TARP, 26 FT	1
31	YBFB12125	BOLT FLANGE, 3/8 X 1-1/4 G5	6
32	YSWH10005	SCRW, HEX WSHR HD UNSLOTTED, 5/16-18 X 1-1/4	4
33	YNFG12006	NUT FLANGE, 3/8 GF	6
34	93433	PLATE, TARP MOUNT	1
*	92827	POWER ARM COMPLETE, ROLL RITE	1





FIGURE 18

OPTIONAL BDOCMK - CHASSIS MOUNT KIT

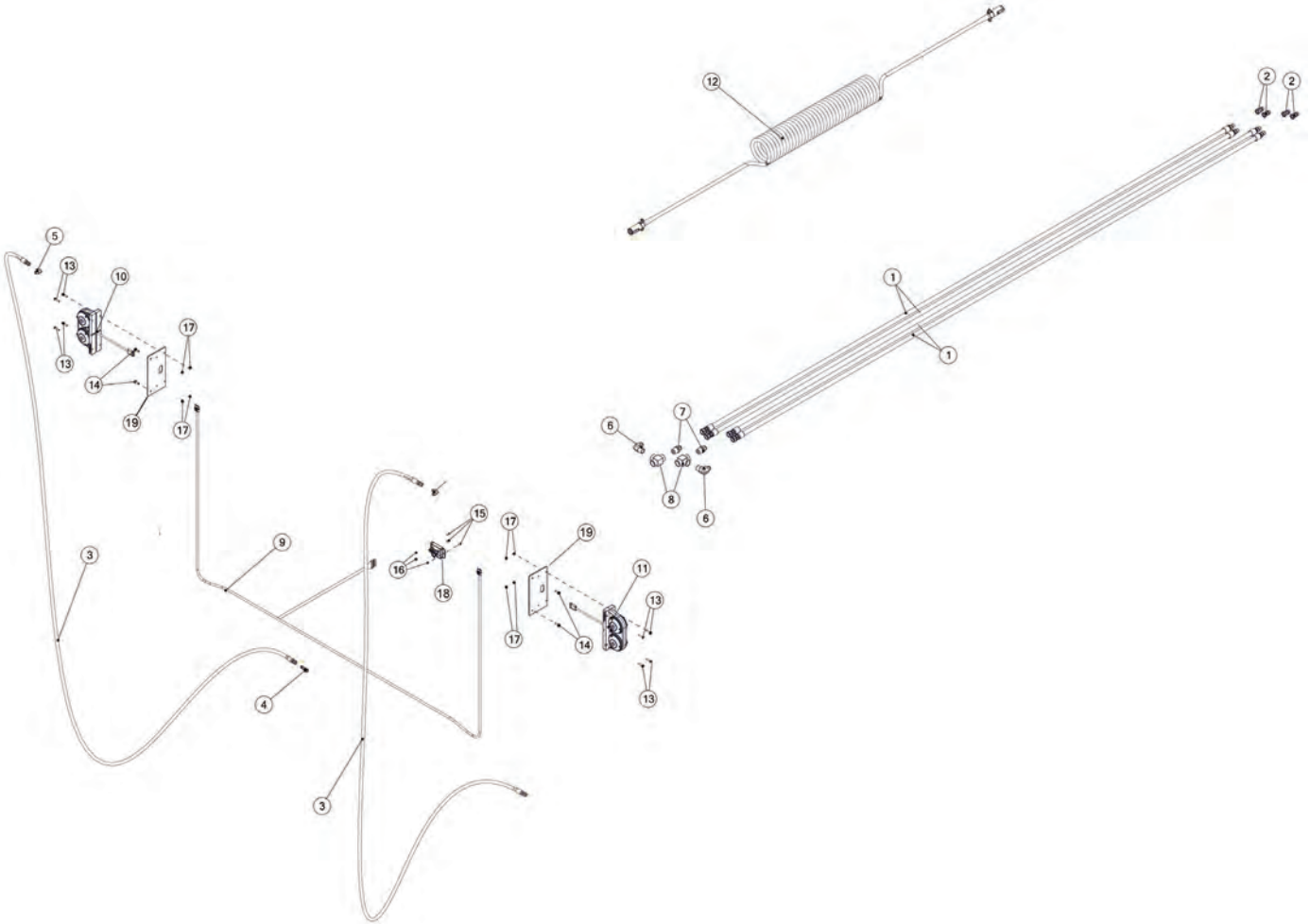




FIGURE 18 OPTIONAL BDOCMK - CHASSIS MOUNT KIT

REF #	PART #	DESCRIPTION	QTY
1	90311	HYDRAULIC HOSE, 10, 171	4
2	DWM205	MALE QUICK COUPLER S71-4P SAFEWAY HYD TIP	4
3	78689	HYDRAULIC HOSE, 6, 230	2
4	58137	FITTING T, 6JIC, 6JIC, 6JIC	1
5	CHM164	FITTING, 90, 6JIC X 3/8NPT	2
6	90310	FITTING 90, 12JIC X 1NPT	2
7	83781	FITTING, ST, 12JIC X 16NPT	2
8	DWM114	FITTING TEE, 1NPT X 1NPT X 1NPT	2
9	78360	LIGHT HARNESS - FORAGE BOX REAR	1
10	77923	TAIL LIGHT ASSY, LH	1
11	77924	TAIL LIGHT ASSY, RH	1
12	TLPC7	TRANSPORT LIGHT CORD, 7 PIN	1
13	YBHH08035	BOLT HEX, 1/4-20 X 1-1/4 G5	8
14	YSHW10005	THREAD CUTTING SCREW, 5/16 X 1	4
15	YSPN64005	MACHINE PPHS, #10-24 X 5/8 ZC	3
16	YNNY64005	NUT HEX, #10-24, LKNY G2 ZC	3
17	YNFG08010	NUT FLANGE, 1/4 GF	8
18	69908	CONTROL BLINKER MODULE	1
19	86040	LIGHT BRACKET	2





FIGURE 19

OPTIONAL WBOTMK - TRUCK MOUNT KIT

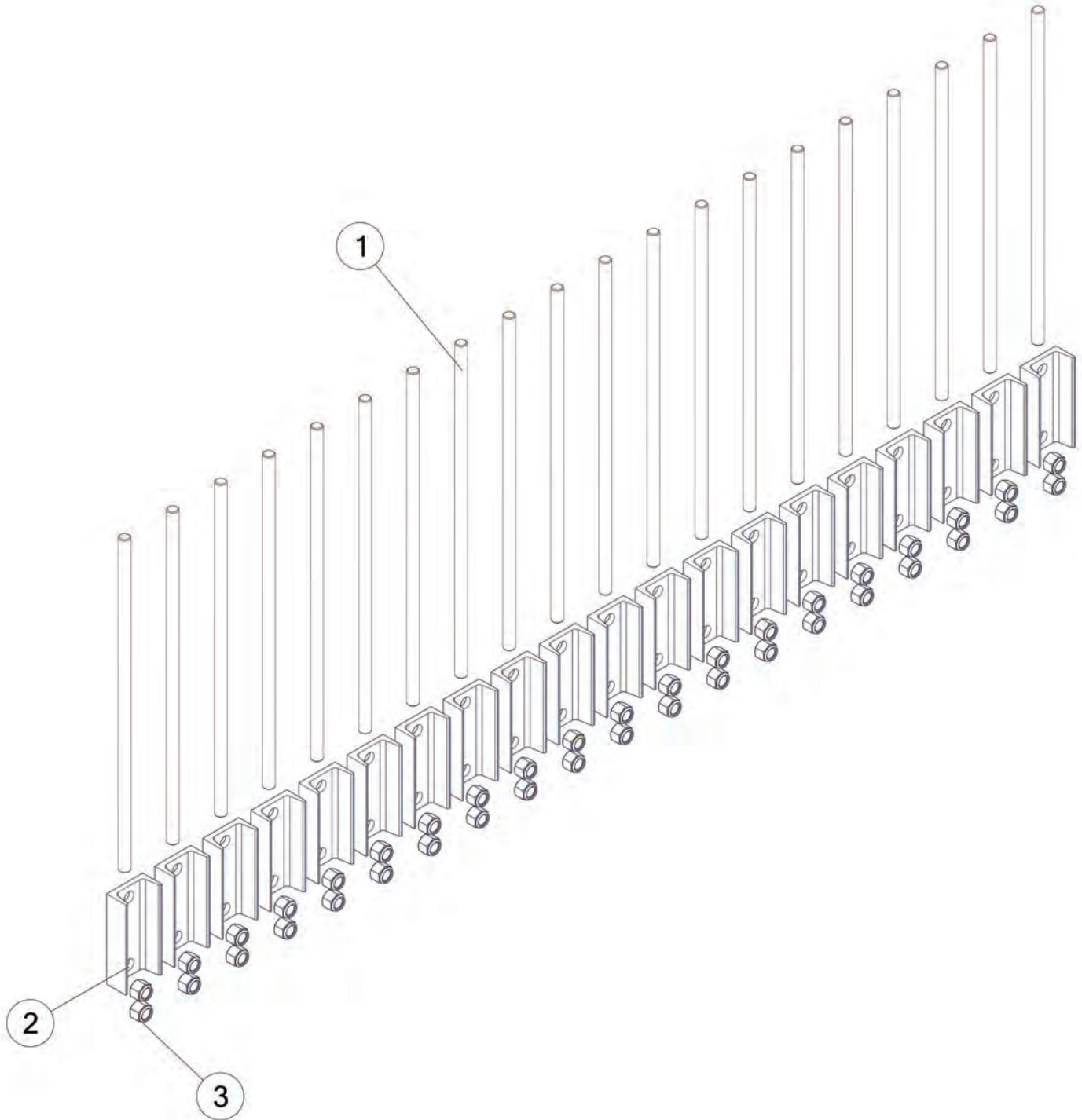




FIGURE 20

OPTIONAL BDOSF26
SCREEN FILLER KIT 26FT BIG DOG

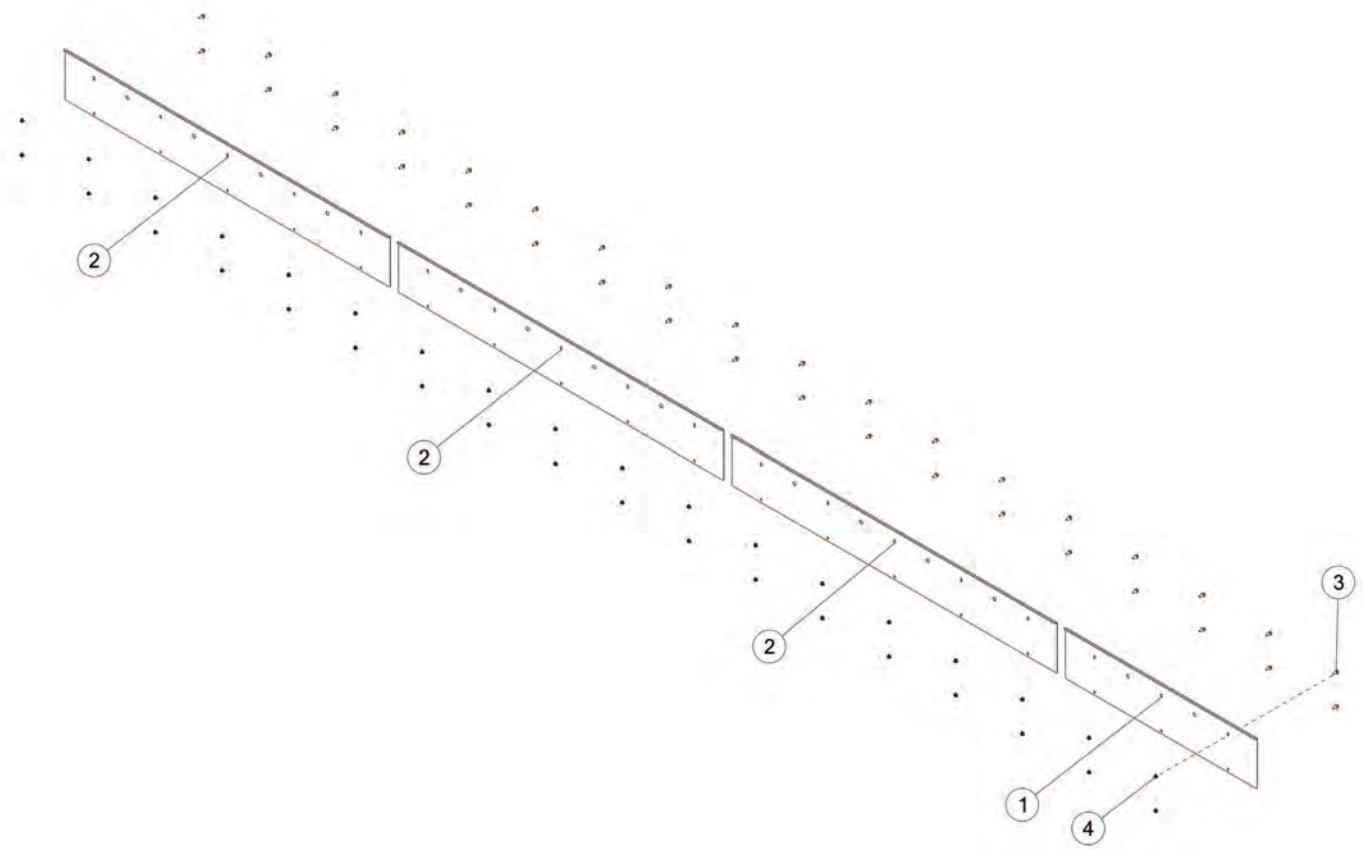




FIGURE 20
OPTIONAL BDOSF26
SCREEN FILLER KIT 26FT BIG DOG

REF #	PART #	DESCRIPTION	QTY
1	82903	SCREEN COVER, REAR	1
2	82466	SCREEN COVER, REAR	3
3	YBFB10075	BOLT FLANGE, 5/16 X 3/4 G5	36
4	YNFG10005	NUT FLANGE, 5/16 GF	36

* NOTE: TWO KITS REQUIRED TO DO COMPLETE BOX





FIGURE 21
OPTIONAL TDOEAC
ELEC ACTUATOR CONTROL-FLIP DOWN FRONT

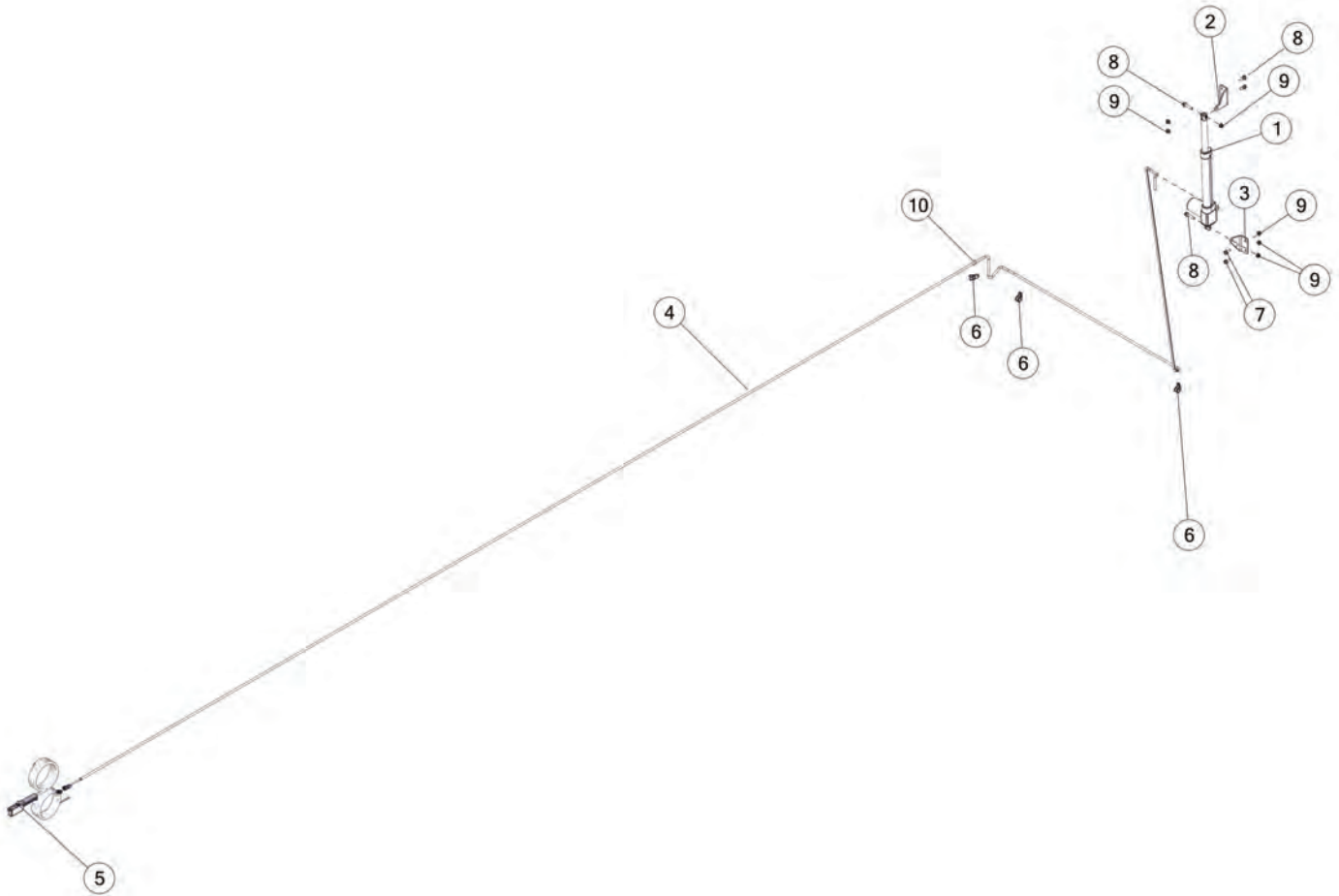




FIGURE 21 OPTIONAL TDOEAC

ELEC ACTUATOR CONTROL-FLIP DOWN FRONT

REF #	PART #	DESCRIPTION	QTY
1	82894	LINEAR ACTUATOR	1
2	80885	ACTUATOR MOUNT BRACKET	1
3	80888	ACTUATOR MOUNT BRACKET	1
4	82932	WIRE WITH DEUTSCH CONNECTIONS	1
5	89807	HAND CONTROLLER, (ON)-OFF-(ON)	1
6	87705	CUSHION WIRE CLAMP 3/8	3
7	YBFB12003	BOLT FLANGE, 3/8 X 1 G5	4
8	YBFB12200	BOLT FLANGE, 3/8 X 2 G5	2
9	YNFG12006	NUT FLANGE, 3/8 GF	6
10	56120	STRAIN RELIEF LOCKNUT, 1/2	1



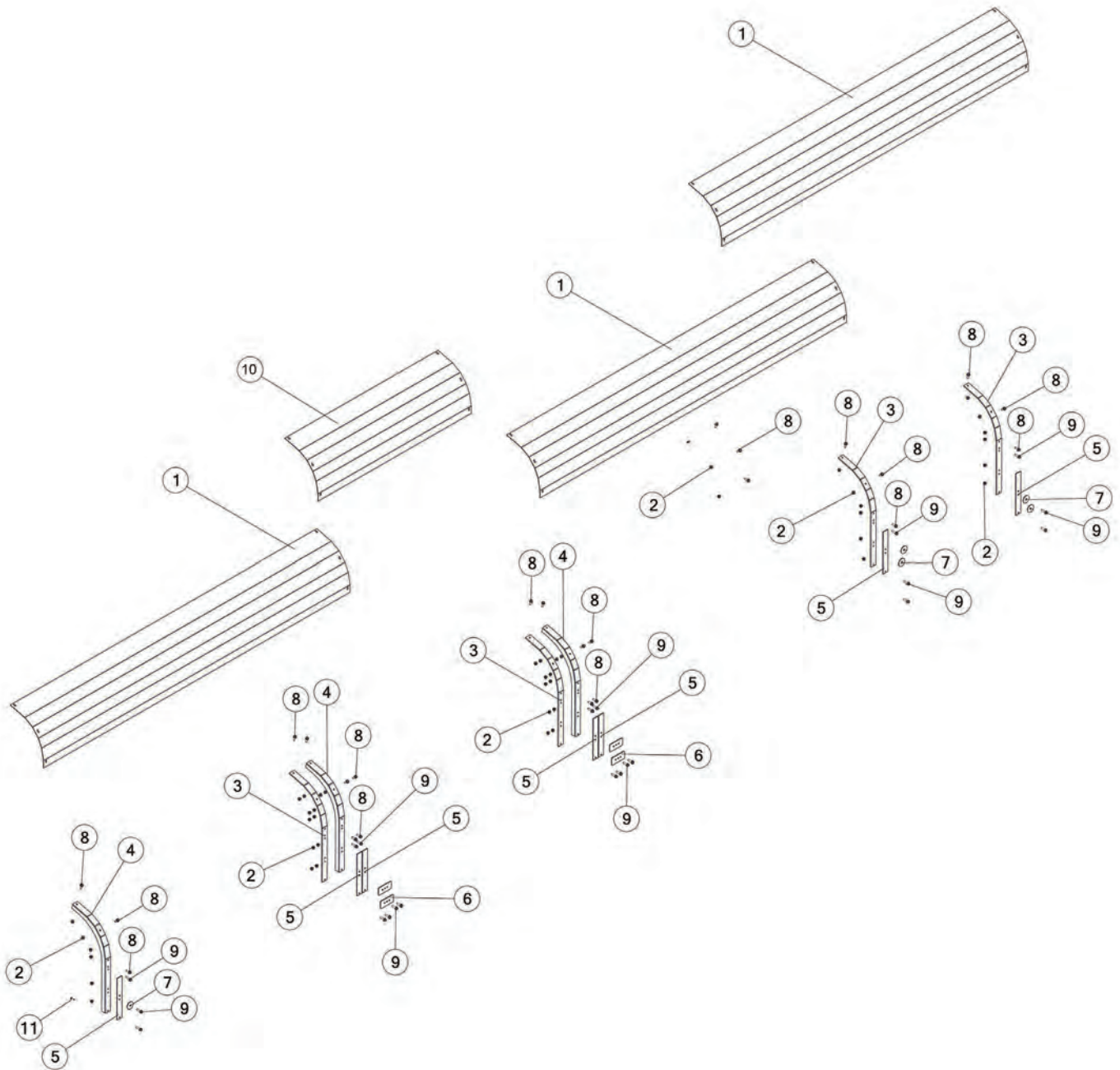




FIGURE 23 OPTIONAL TDOSBD - TRUCK MOUNT SWINGING BARN DOORS W/AIR CLOSURE

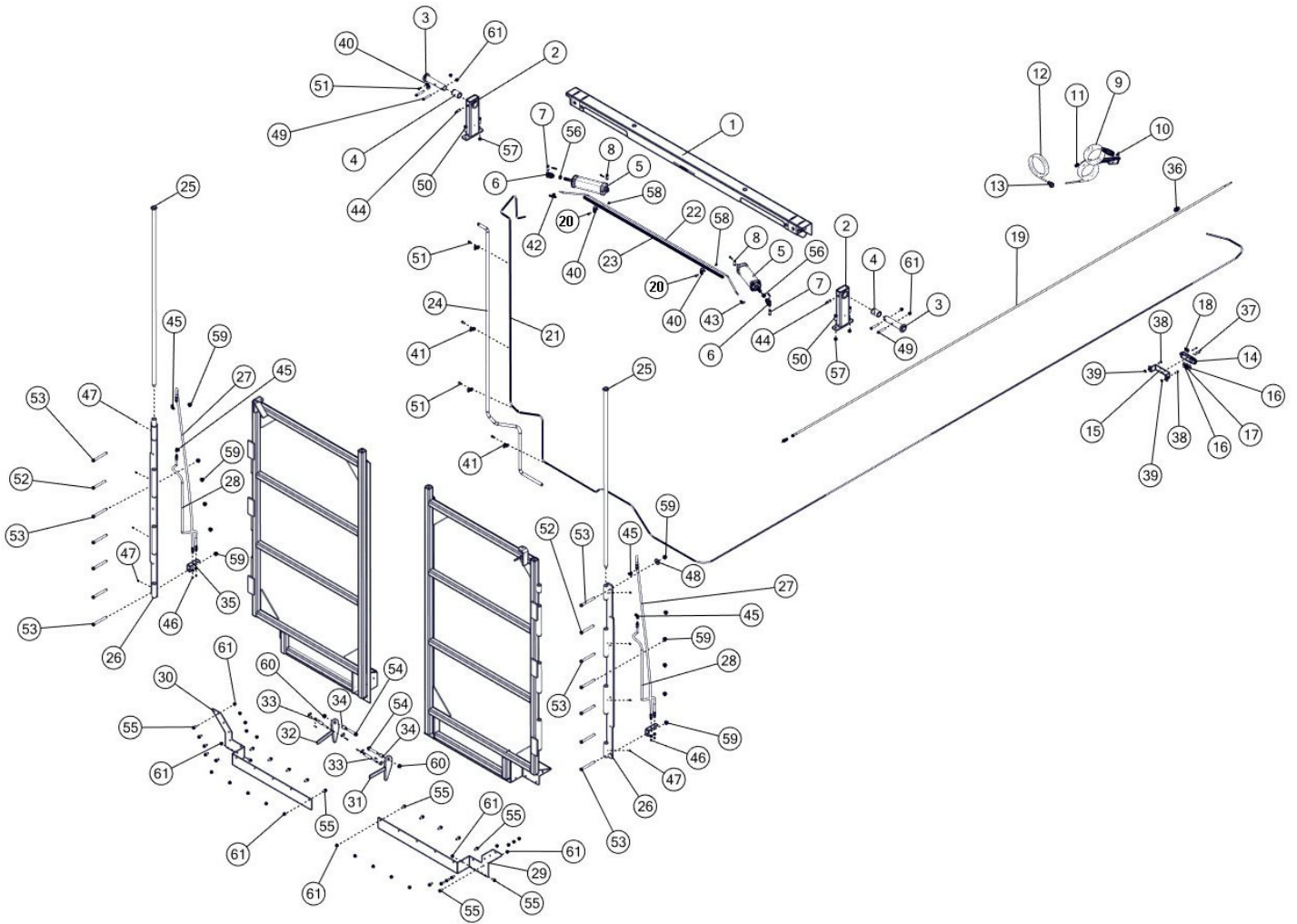




FIGURE 23

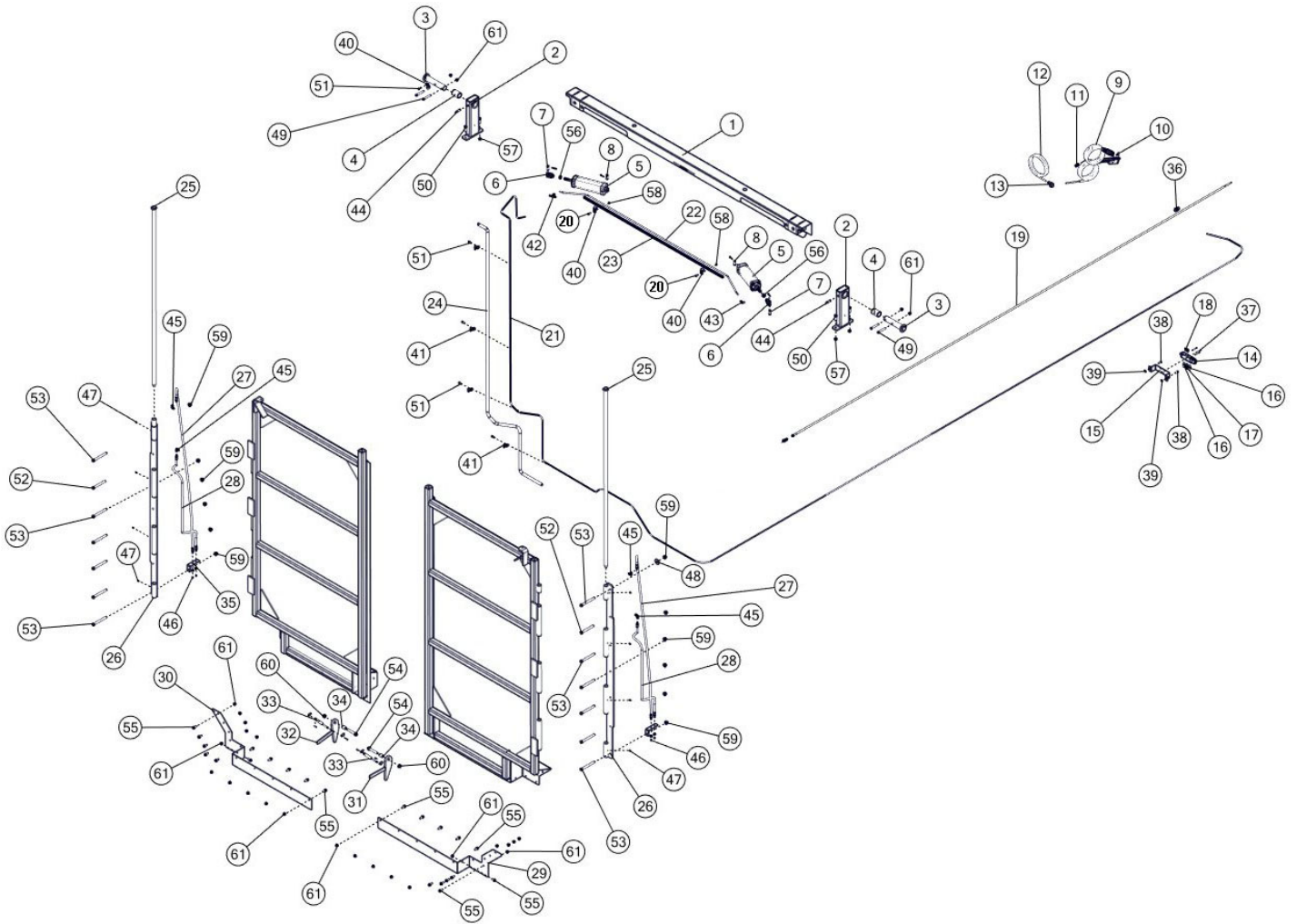
OPTIONAL TDOSBD - TRUCK MOUNT SWINGING BARN DOORS W/AIR CLOSURE

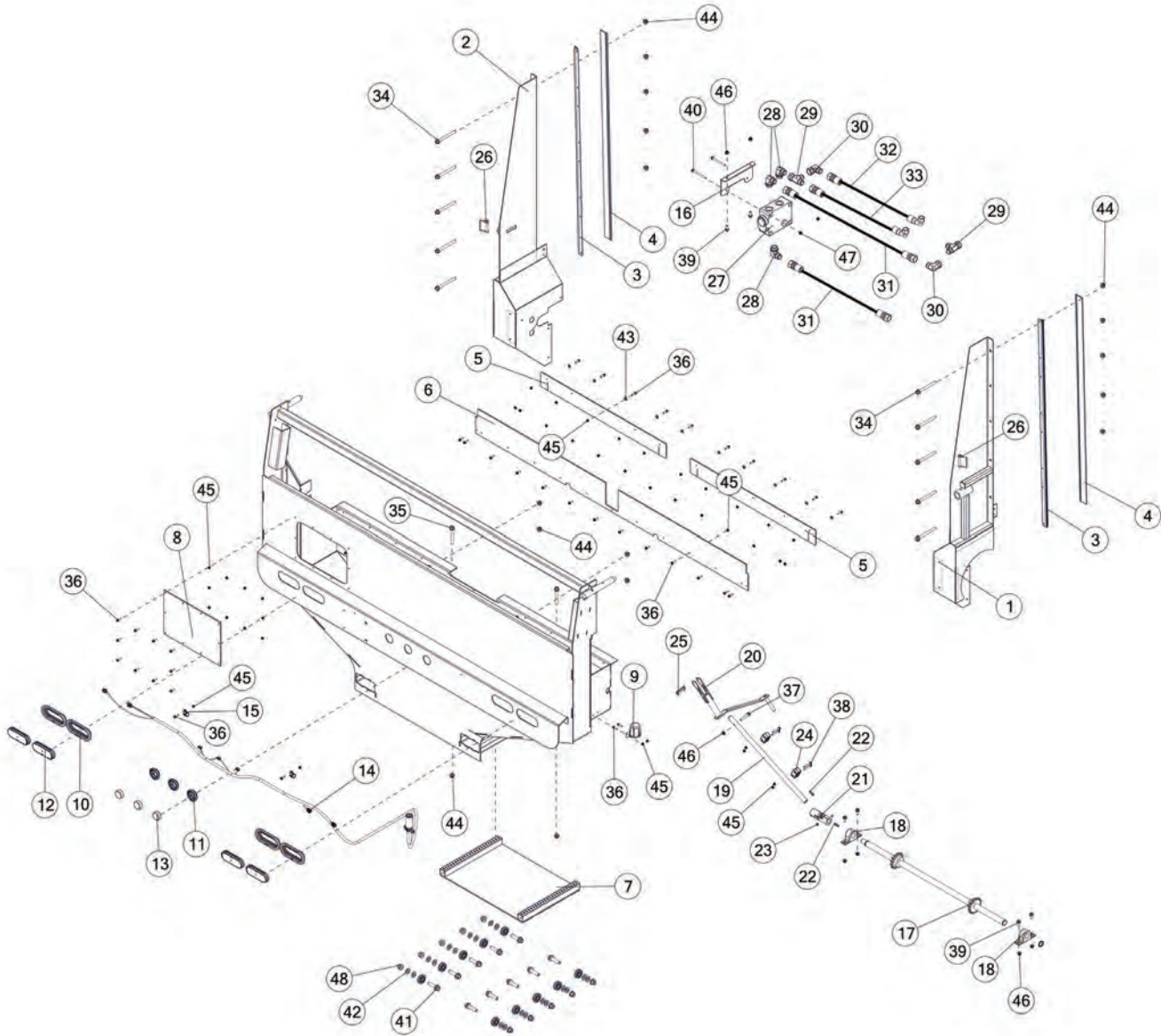
REF #	PART #	DESCRIPTION	QTY
1	85203	TOP CHANNEL, AIR	1
2	BBS21	STAKE TOP REAR	2
3	BBS64	DOOR HINGE PIN	2
4	BBS39	BUSHING	2
5	GD49	AIR CYLINDER, 2-1/2 X 8	2
6	8542	CLEVIS, .625-18	2
7	8544	CLEVIS PIN, 1/2 DIA X 1-1/2	2
8	8543	CLEVIS PIN, 1/2 DIA X 1-3/8	2
9	63361	HAND CONTROLLER, (ON)-OFF	1
10	16SV235	SWITCH BOOTS	1
11	58790	DEUTSCH 2 PIN PLUG HOUSING	1
12	1093	DIN CORD	1
13	LW285	DIN CONNECTOR SMALL	1
14	8031	NORGREN VALVE 4 WAY	1
15	54510	AIR VALVE MOUNTING BRACKET	1
16	GD7	VENT PLUG, CONE SHAPED, 1/4	2
17	58651	DOT FITTING, 1/4 to 3/8	1
18	GD6	MALE COUPLER, 1/4	2
19	58521	TRACTOR POWER SUPPLY CABLE	1
20	YBHH08010	BOLT HEX, 1/4 X 1 G5	2
21	79792	CYLINDER SUPPLY LINE 530 BLACK	1
22	0227MS03	CYLINDER TIE AIR LINE	1
23	0227MS02	WIRE LOOM	1
24	0227MS01	AIR LINE SHIELD	1
25	82449	DOOR HINGE PIN	2
26	82438	HINGE	2
27	88909	GREASE HOSE, 3, 66	2
28	89739	GREASE HOSE, 3, 45	2
29	0227RU01	DOOR SEAL BOTTOM	1
30	94790	DOOR SEAL BOTTOM	1
31	0227WE08	LATCH, RH	1
32	0227WE07	LATCH, LH	1
33	SD190	GAS STRUT	2
34	0227PI02	LATCH SPACER	2
35	94849	PLATE, GREASE LINE	2
36	GD23	STRAIN RELIEF, CONNECTOR	1
37	YSHS62005	BOLT SOCKET, #8-32 X 1-3/4 BO	3
38	YBHH08010	BOLT HEX, 1/4-20 X 1 G5	4
39	YWFL08005	WASHER, FLAT, 1/4 USS	2





FIGURE 23 OPTIONAL TDOSBD - TRUCK MOUNT SWINGING BARN DOORS W/AIR CLOSURE





REF #	PART #	DESCRIPTION	QTY
1	95363	GRAIN HOPPER PANNEL, BOX, RH	1
2	95602	GRAIN HOPPER PANNEL, BOX, LH	1
3	97757	BRUSH HOLDER	2
4	0226MS04	2.00 IN BRUSH LONG	2
5	92159	HOPPER SEAL	2
6	97409	UPPER HOPPER SEAL	1
7	95479	DOOR, GRAIN HOPPER	1
8	GH7	HOPPER WINDOW	1
9	CHM38	PLUG STORAGE	1
10	S308	OVAL LIGHT GROMMET	4
11	BBS91	ROUND LIGHT GROMMET	3



FIGURE 24

OPTIONAL TDOGHK

GRAIN HOPPER KIT W/HYD FLOW CONTROL

REF #	PART #	DESCRIPTION	QTY
12	78671	RED LED LIGHT, OVAL	4
13	BBS92	MARKER LIGHT, RED ROUND	3
14	97785	HARNNESS, GRAIN KIT	1
15	HGV162	RUBBER WIRE HOLDER, 1/2	2
16	02266G02	FLOW CONTROL MOUNT	1
17	97789	SHAFT, GRAIN HOPPER DOOR	1
18	12N36	BRG, PILLOW BLOCK 1.25in	2
19	97429	SHAFT	1
20	95452	CRANK, GRAIN HOPPER	1
21	96614	U-JOINT	1
22	S135	SQUARE KEY, 1/4 X 1-1/4	2
23	YSKP12025	SET SCREW, SOCKET, KNURL CUP PT, 3/8-16 X 3/8	2
24	CHM286	UBE CLAMP CUSHIONS, 1	2
25	DWM324	LYNCH PIN	1
26	DWM191	SNAPPER PIN	2
27	BBS51	FLOW CONTROL	1
28	BBS52	FITTING, 90, 16JIC X 16ORB	3
29	CHM182	FITTING, TEE, 16JIC X 16JIC X 16JIC	2
30	8021	FITTING 90, 16 JIC, 16JIC	2
31	BBSTMS24	HYD HOSE, 12 X 65 IN	2
32	78661	HYD HOSE, 12 X 96.5 IN	1
33	BBSTMS26	HYD HOSE, 12 X 26 IN	1
34	YBFB16550	BOLT FLG, 1/2 X 5-1/2 G5	10
35	YBFB16400	BOLT FLG, 1/2 X 4 G5	2
36	YBFB08100	BOLT FLG, 1/4 X 1 G5	37
37	YBFB12225	BOLT FLG, 3/8 X 2-1/4 G5	1
38	YBFB08200	BOLT FLG, 1/4 X 2 G5	4
39	YBFB12003	BOLT FLG, 3/8 X 1 G5	6
40	YBFB10400	BOLT FLG, 5/16 X 4 G8	2
41	YBFB20250	BOLT FLG, 5/8 X 2-1/2 G5	10
42	YWFL20010	WASHER, FLAT, 5/8 SAE GR 8 YELLOW ZINC	20
43	YWFL08005	WASHER, FLAT, 1/4 USS	10
44	YNFG16003	NUT FLG, 1/2 GF	16
45	YNFG08010	NUT FLG, 1/4 GF	41
46	YNFG12006	NUT FLG, 3/8 GF	7
47	YNFG10005	NUT FLG, 5/16 GF	2
48	YNFG20005	NUT, FLG, 5/8-11, LKTL, F, ZC	20





H&S MFG. CO.
products approved
for the
FEMA
SEAL OF QUALITY



Manufactured by:
H&S MANUFACTURING CO., INC.
2608 S. HUME AVE. MARSHFIELD, WI 54449
(715) 387-3414 | hsmfgco.com

