



BD1230
BIG DOG
FORAGE BOX
PARTS BOOK

Part #94489 HSMFG011723 Rev. #01 Starting Ser. # 322BD30001

STRONG HERITAGE - STRONG PEOPLE - STRONGER FUTURE



INSTRUCTIONS FOR ORDERING PARTS

All service parts should be ordered through your authorized H&S dealer. Your Dealership will be able to give you faster service if you will provide them with the following:

1. All references to left or right apply to the machine as viewed from the rear.
2. Parts should not be ordered from illustration only. Please order complete part number.
3. If your dealer has to order parts, give shipping instructions:

VIA truck - large pieces (please specify local truck lines)

VIA United Parcel Service (include full address)

| | |
|-------------------|----------------------|
| H&S MFG. CO. INC. | |
| MARSHFIELD, WIS. | |
| MOD. NO. | <input type="text"/> |
| SER. NO. | <input type="text"/> |
| DESCR. | <input type="text"/> |

PLEASE RECORD NUMBERS FOR YOUR UNIT FOR QUICK REFERENCE

H&S IS CONTINUALLY STRIVING TO IMPROVE ITS PRODUCTS

We must, therefore, reserve the right to make improvements or changes whenever it becomes practical to do so, without incurring any obligation to make changes or additions to the equipment previously sold.





FIGURE 1
RH SIDE EXTENSION PANELS

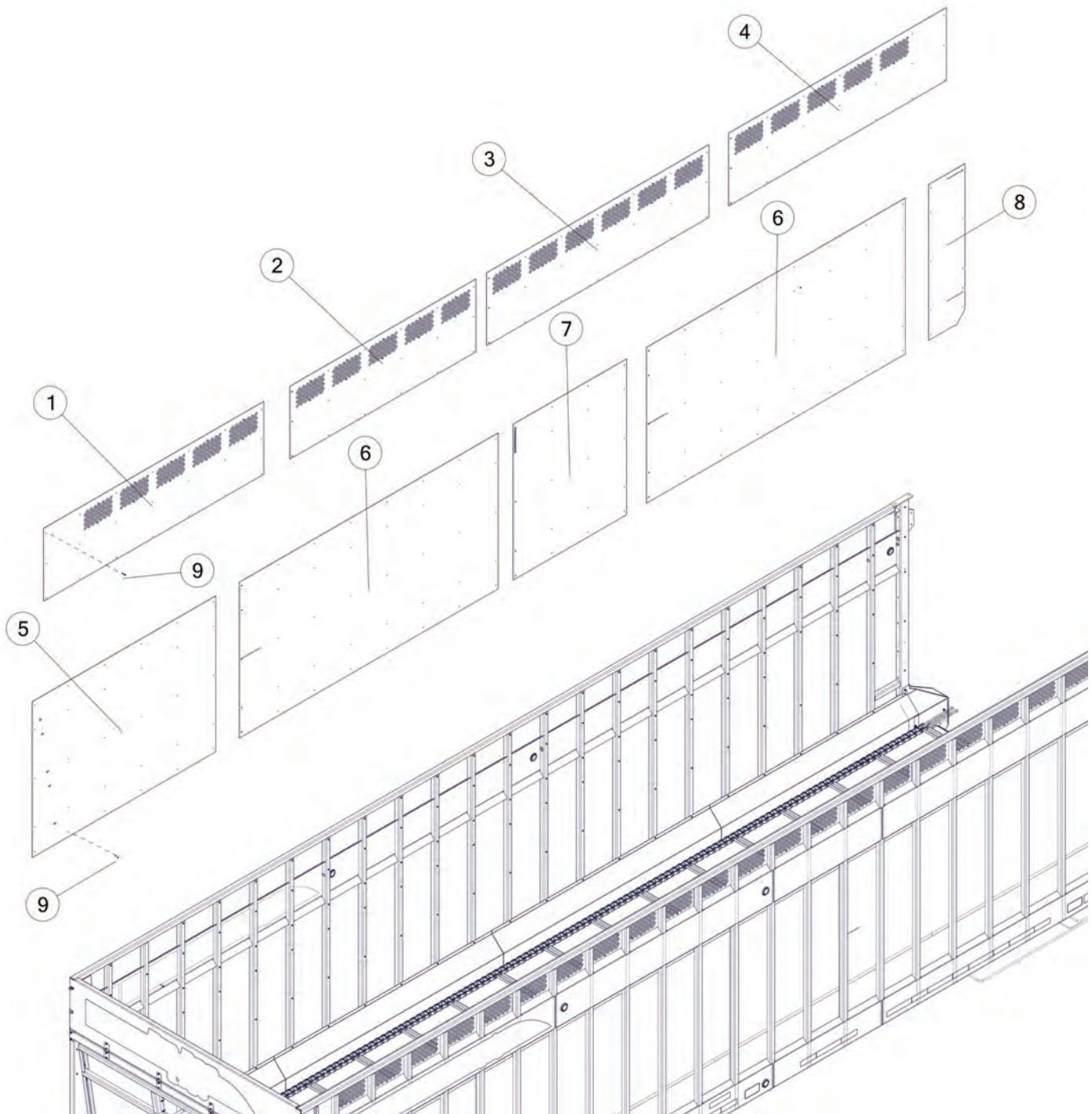




FIGURE 1

RH SIDE EXTENSION PANELS

| REF # | PART # | DESCRIPTION | QTY |
|-------|-----------|--|-----|
| 1 | 94379 | SIDE EXTENSION, FRONT | 1 |
| 2 | 94380 | SIDE EXTENSION, CENTER | 1 |
| 3 | 94376 | SIDE EXTENSION, CENTER | 1 |
| 4 | 94378 | SIDE EXTENSION, REAR | 1 |
| 5 | 94420 | SS PANEL, FRONT RH | 1 |
| 6 | 94418 | SS PANEL, CENTER | 2 |
| 7 | 94419 | SS PANEL, SHORT FILLER | 1 |
| 8 | 88051 | STL PANEL, REAR SIDE | 1 |
| 9 | YSDR08005 | SCREW SELF DRILL, HEX WASHER HEAD, 1/4 X 1 | 145 |
| | | | |
| | | | |
| | | | |
| | | | |
| | | | |
| | | | |
| | | | |
| | | | |
| | | | |
| | | | |
| | | | |
| | | | |
| | | | |
| | | | |
| | | | |
| | | | |
| | | | |
| | | | |
| | | | |
| | | | |





FIGURE 2
LH SIDE EXTENSION PANELS

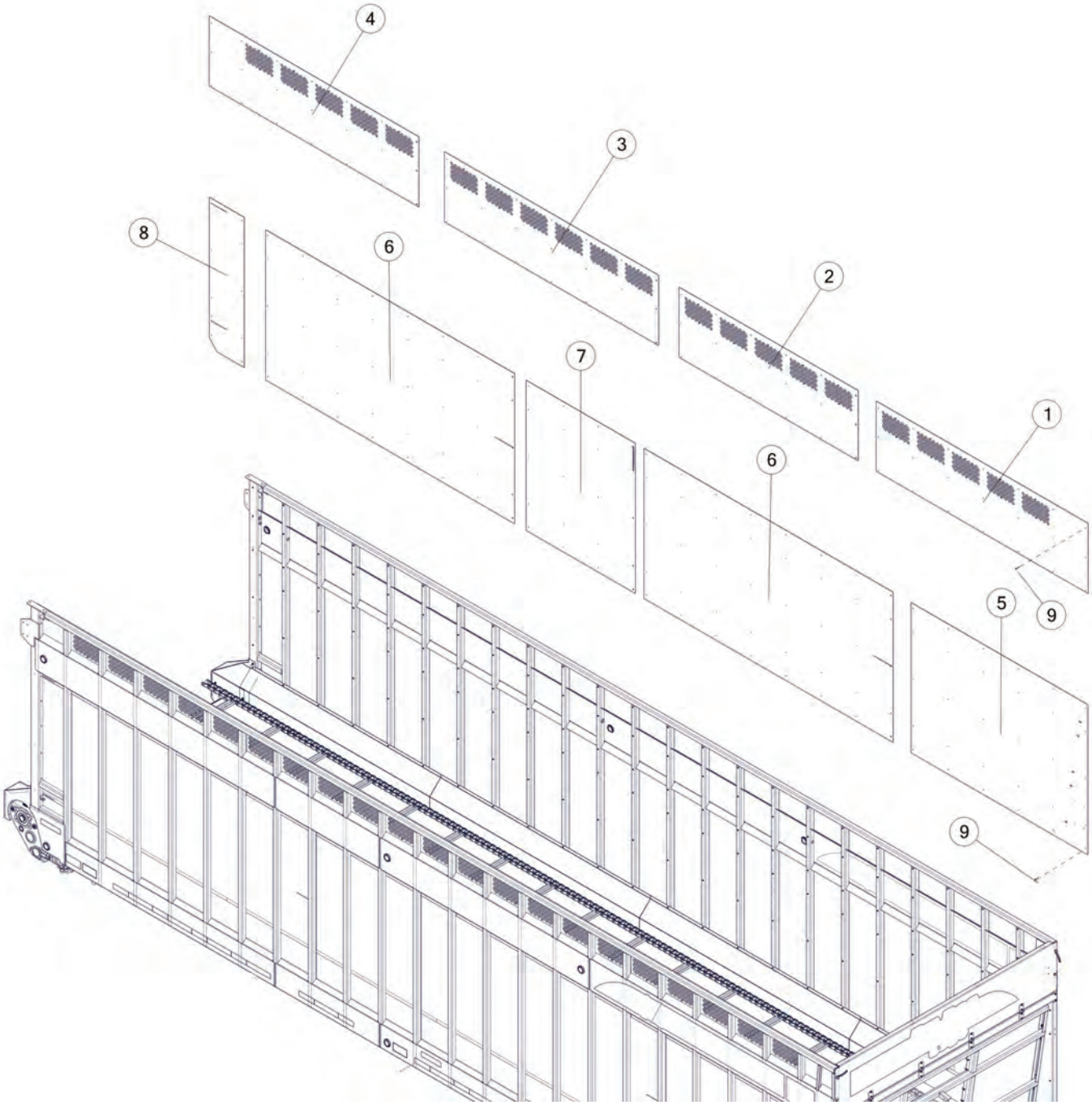




FIGURE 2

LH SIDE EXTENSION PANELS

| REF # | PART # | DESCRIPTION | QTY |
|-------|-----------|--|-----|
| 1 | 94379 | SIDE EXTENSION, FRONT | 1 |
| 2 | 94380 | SIDE EXTENSION, CENTER | 1 |
| 3 | 94376 | SIDE EXTENSION, CENTER | 1 |
| 4 | 94378 | SIDE EXTENSION, REAR | 1 |
| 5 | 94424 | SS PANEL, FRONT, LH | 1 |
| 6 | 94418 | SS PANEL, CENTER | 2 |
| 7 | 94419 | SS PANEL, SHORT FILLER | 1 |
| 8 | 88051 | STL PANEL, REAR SIDE | 1 |
| 9 | YSDR08005 | SCREW SELF DRILL, HEX WASHER HEAD, 1/4 X 1 | 145 |
| | | | |
| | | | |
| | | | |
| | | | |
| | | | |
| | | | |
| | | | |
| | | | |
| | | | |
| | | | |
| | | | |
| | | | |
| | | | |
| | | | |
| | | | |
| | | | |
| | | | |
| | | | |
| | | | |





FIGURE 3
FRONT PANEL W/ WINDOW

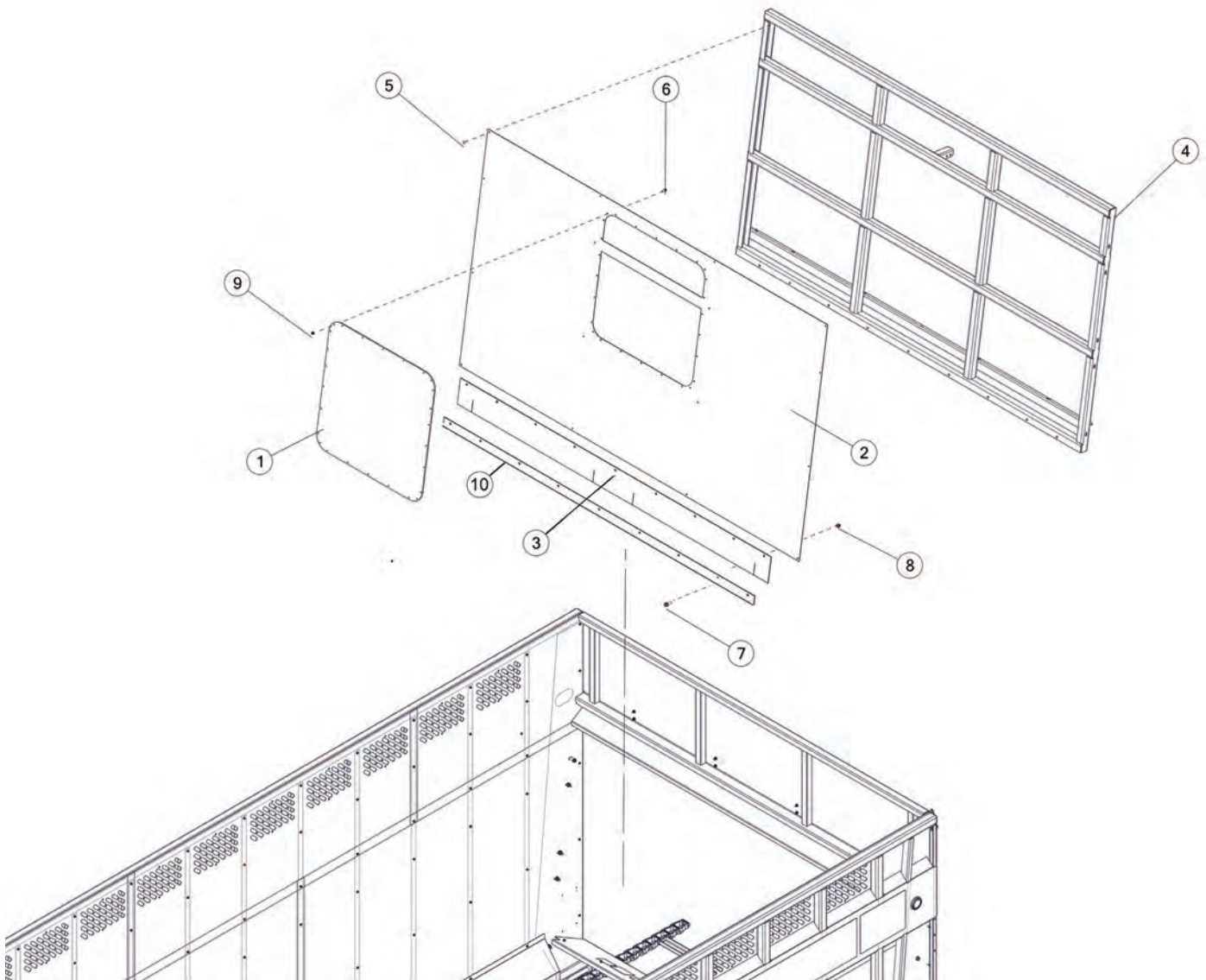




FIGURE 4 FRONT PANEL AND COMPONENTS

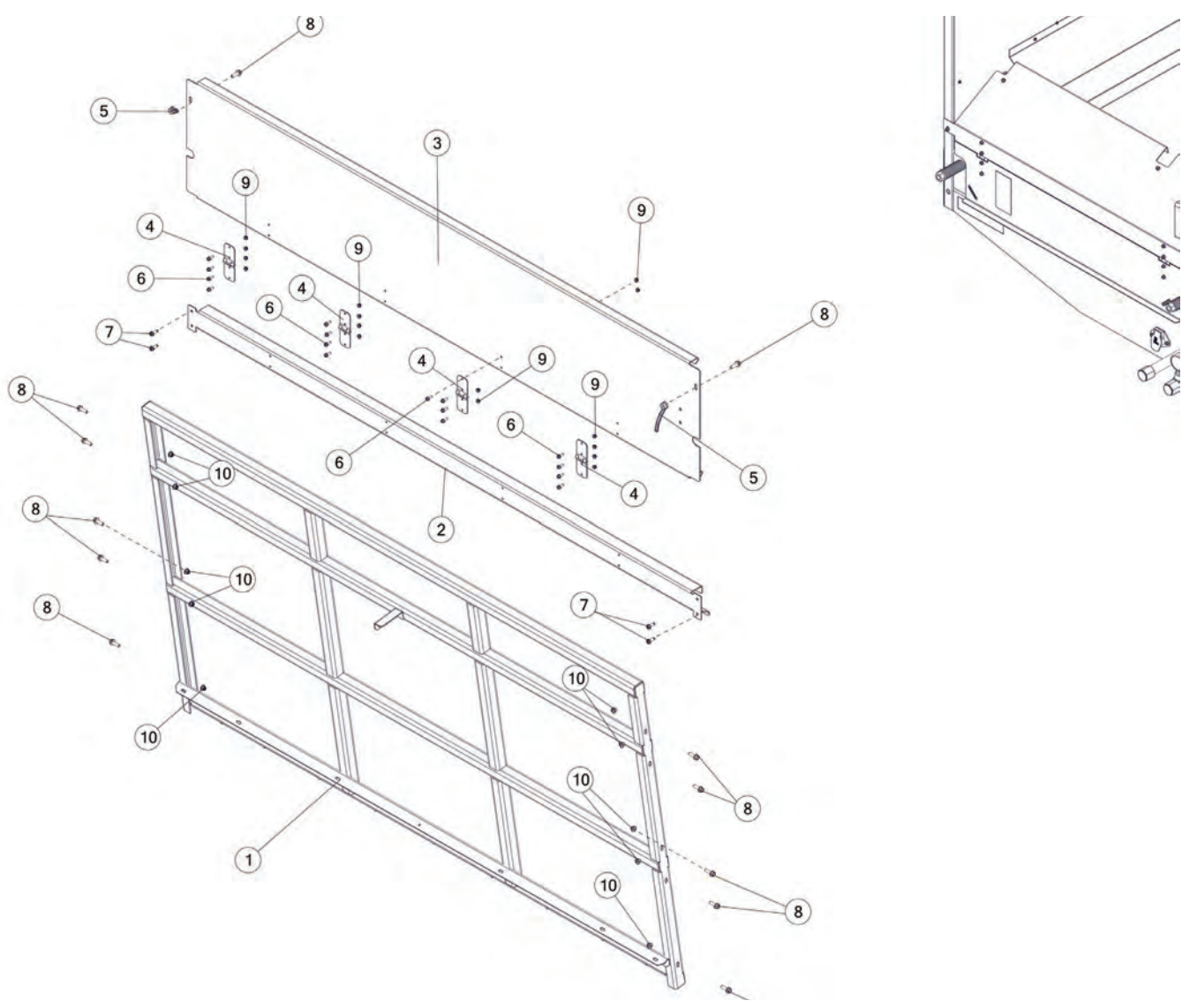
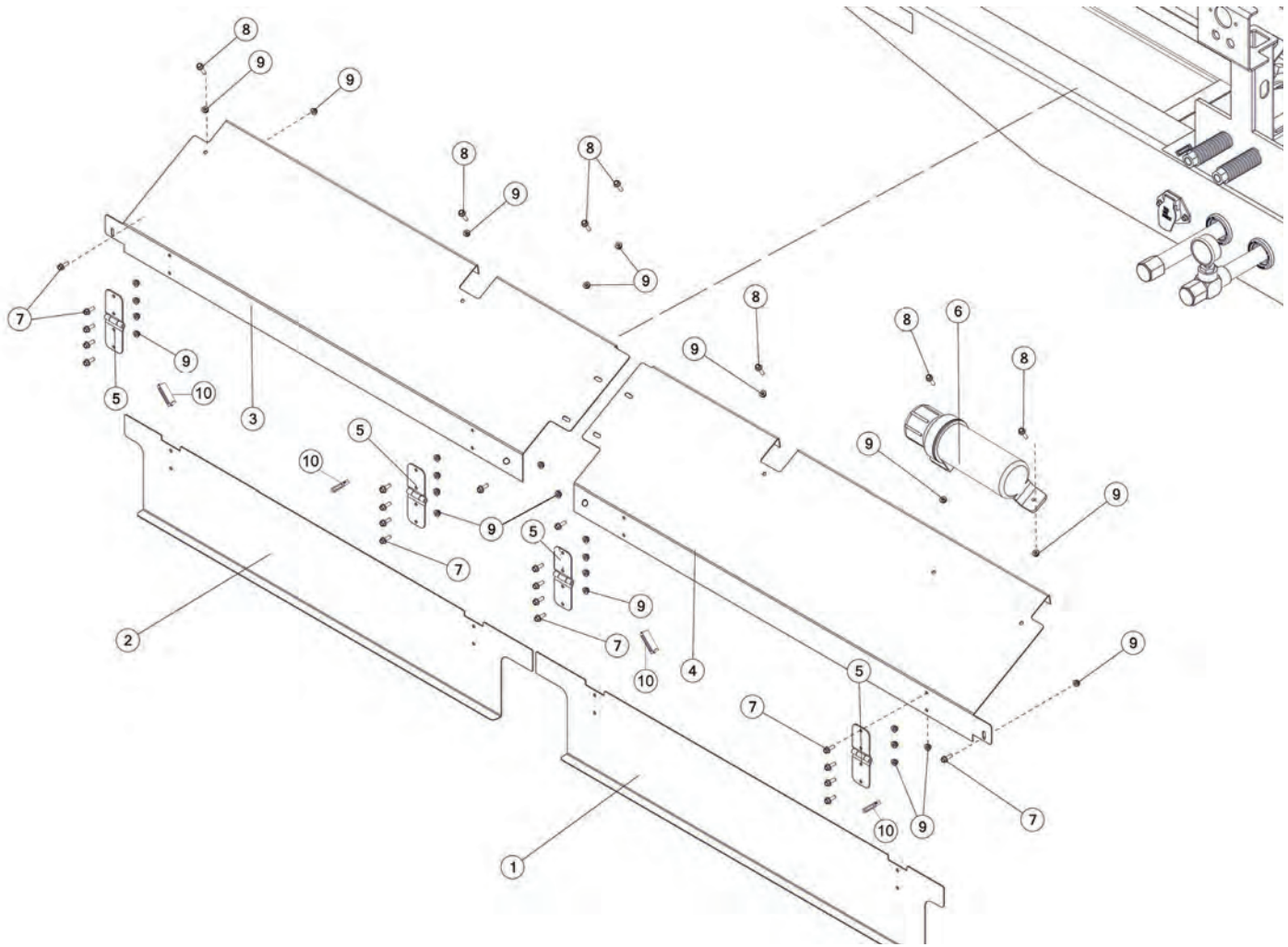




FIGURE 5 FRONT SHIELDS AND COMPONENTS



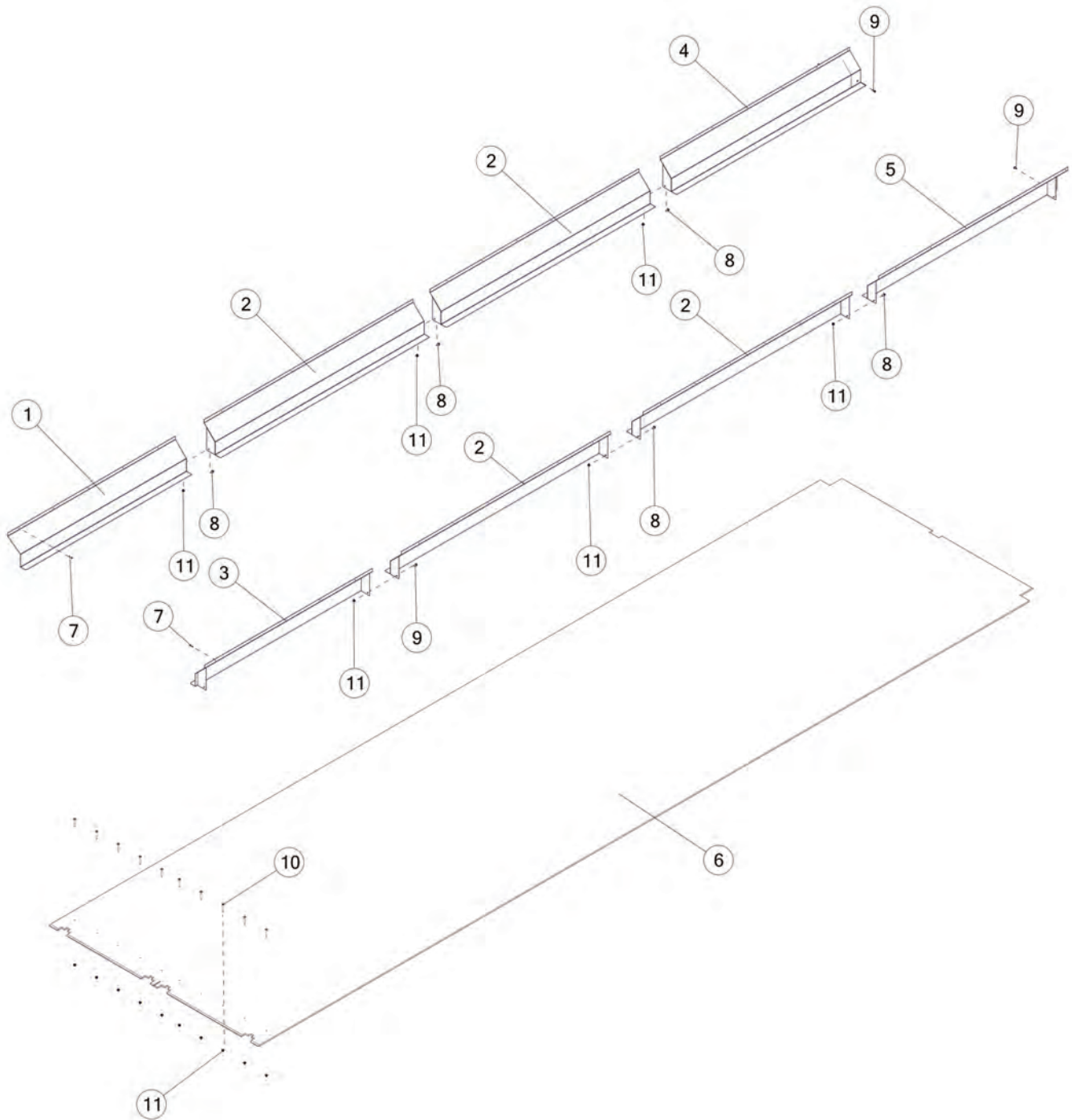




FIGURE 6

FLOOR HOLD DOWNS AND COMPONENTS

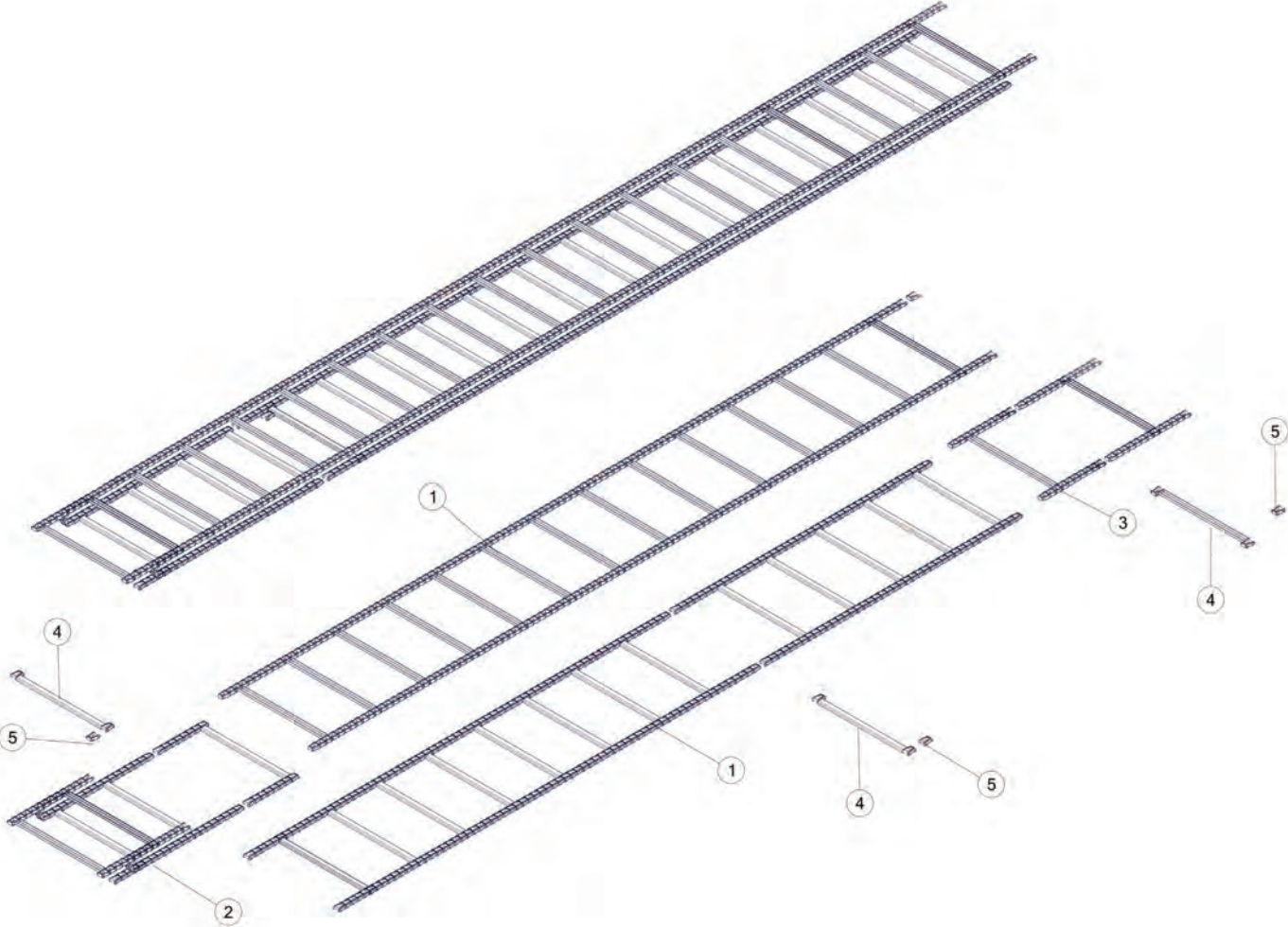
| REF # | PART # | DESCRIPTION | QTY |
|-------|-----------|--|-----|
| 1 | 88093 | FRONT HOLD DOWN, LH | 1 |
| 2 | 88085 | PANEL SLANT, CENTER | 4 |
| 3 | 88095 | FRONT HOLD DOWN, RH | 1 |
| 4 | 88090 | SLANT PANEL REAR, RH | 1 |
| 5 | 88089 | SLANT PANEL REAR, LH | 1 |
| 6 | 94455 | POLY FLOOR | 1 |
| 7 | YSDR08005 | SCREW SELF DRILL, HEX WASHER HEAD, 1/4 X 1 | 46 |
| 8 | YBFB12075 | BOLT FLANGE, 3/8 X 3/4 G5 | 6 |
| 9 | YSHW10034 | THREAD CUTTING SCREW, 5/16 X 3/4 | 2 |
| 10 | YSFS12020 | BOLT FLAT SOK, 3/8-16 X 3 BO | 10 |
| 11 | YNFG12006 | NUT FLANGE, 3/8 GF | 16 |
| | | | |
| | | | |
| | | | |
| | | | |
| | | | |
| | | | |
| | | | |
| | | | |
| | | | |
| | | | |
| | | | |
| | | | |
| | | | |
| | | | |
| | | | |
| | | | |
| | | | |
| | | | |
| | | | |





FIGURE 7

FLOOR CHAIN



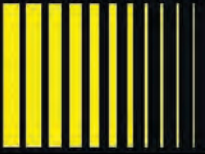


FIGURE 7

FLOOR CHAIN

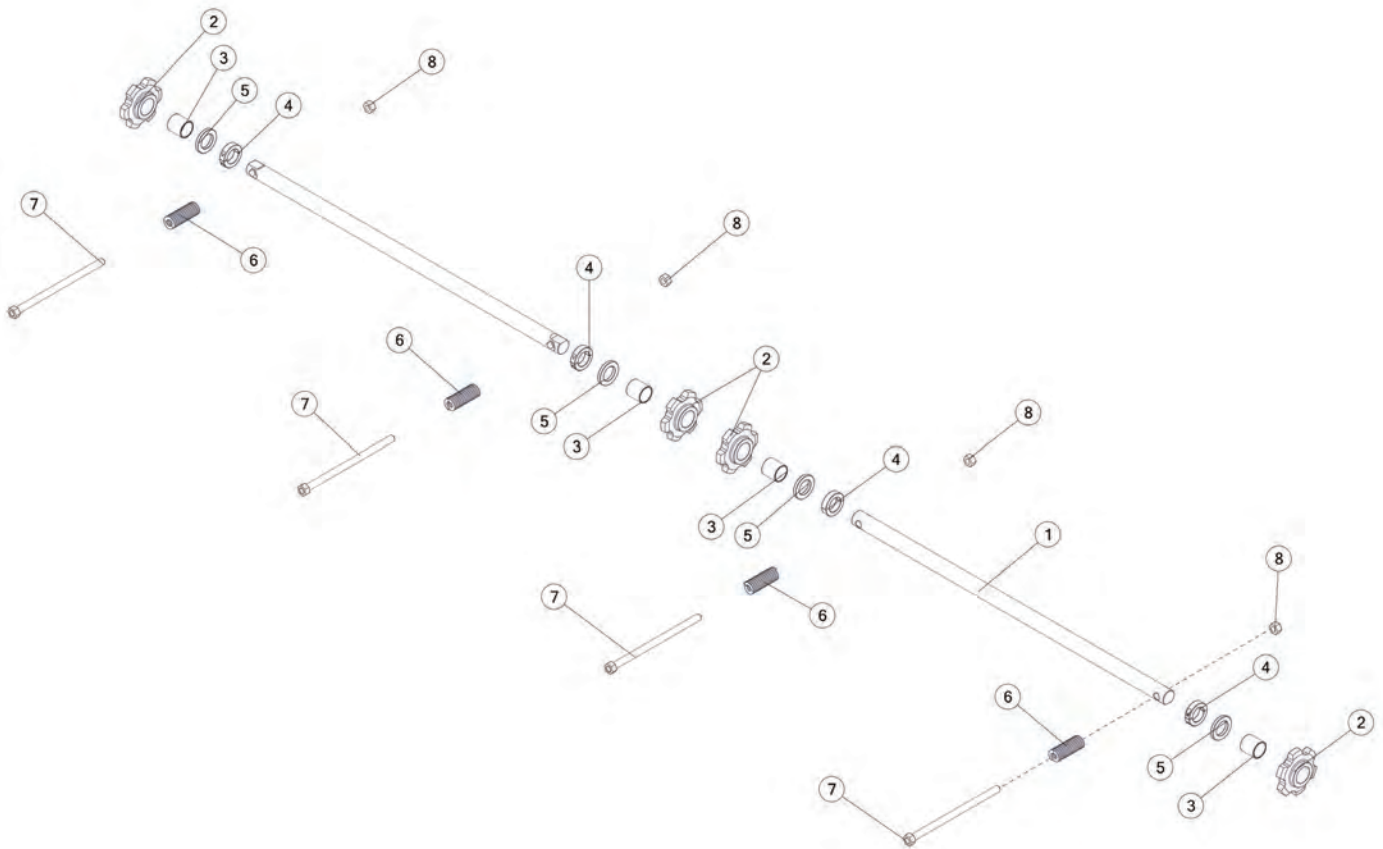
| REF # | PART # | DESCRIPTION | QTY |
|-------|--------|---|-----|
| 1 | 90125 | APRON CHAIN, PL88C X 112 | 4 |
| 2 | 90130 | APRON CHAIN, PL88C X 40 | 2 |
| 3 | 90995 | APRON CHAIN, PL88C X 24, 3 SLATS | 2 |
| 4 | 90127 | CHAIN SLAT, PL88C X 1 W/ATTACHMENT LINK | 1 |
| 5 | 8061 | CONNECTOR LINK | 8 |
| | | | |
| | | | |
| | | | |
| | | | |
| | | | |
| | | | |
| | | | |
| | | | |
| | | | |
| | | | |
| | | | |
| | | | |
| | | | |
| | | | |
| | | | |
| | | | |
| | | | |
| | | | |
| | | | |
| | | | |





FIGURE 8

FRONT IDLER SHAFT AND COMPONENTS



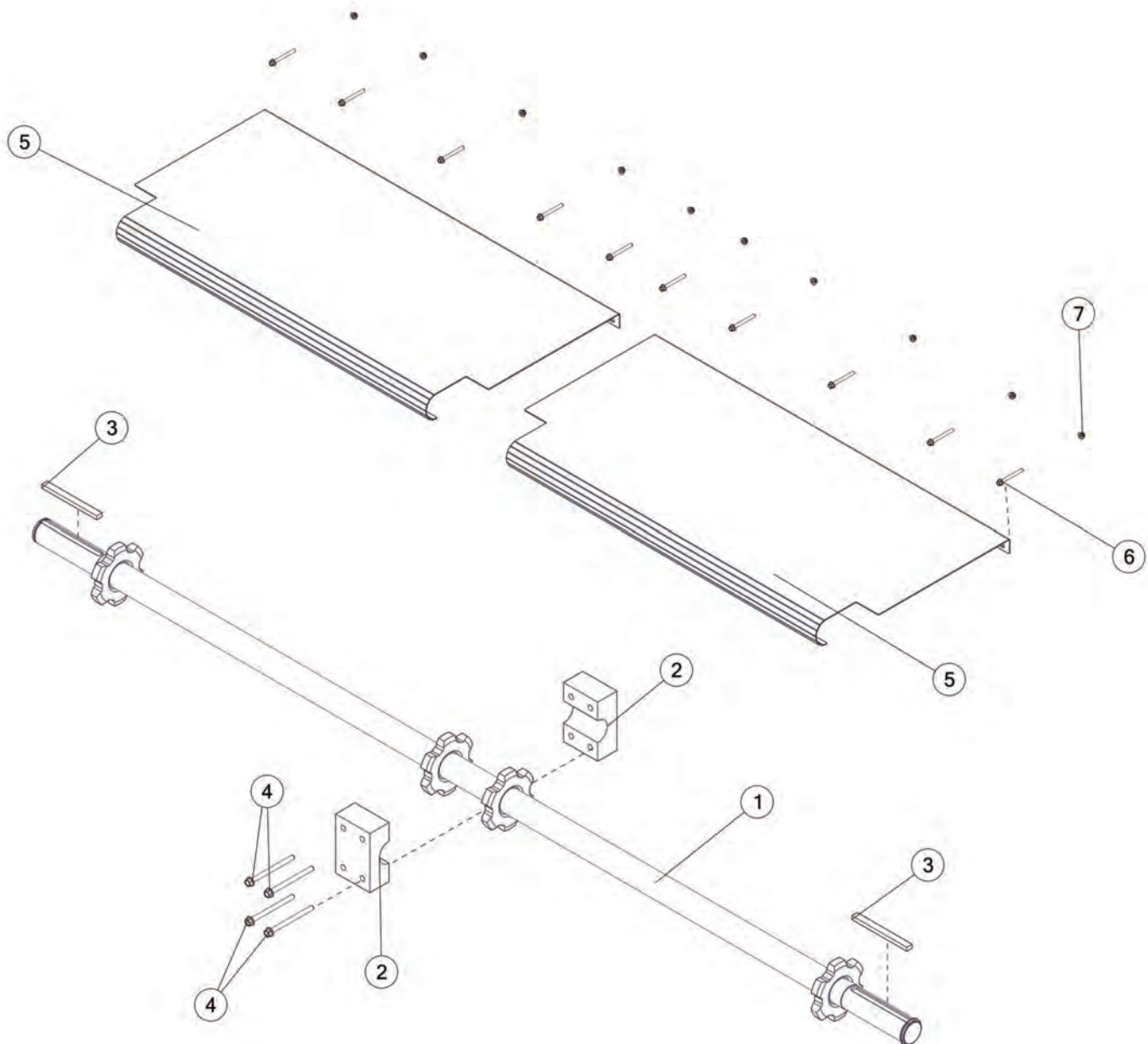




FIGURE 10 GEARBOX AND COMPONENTS

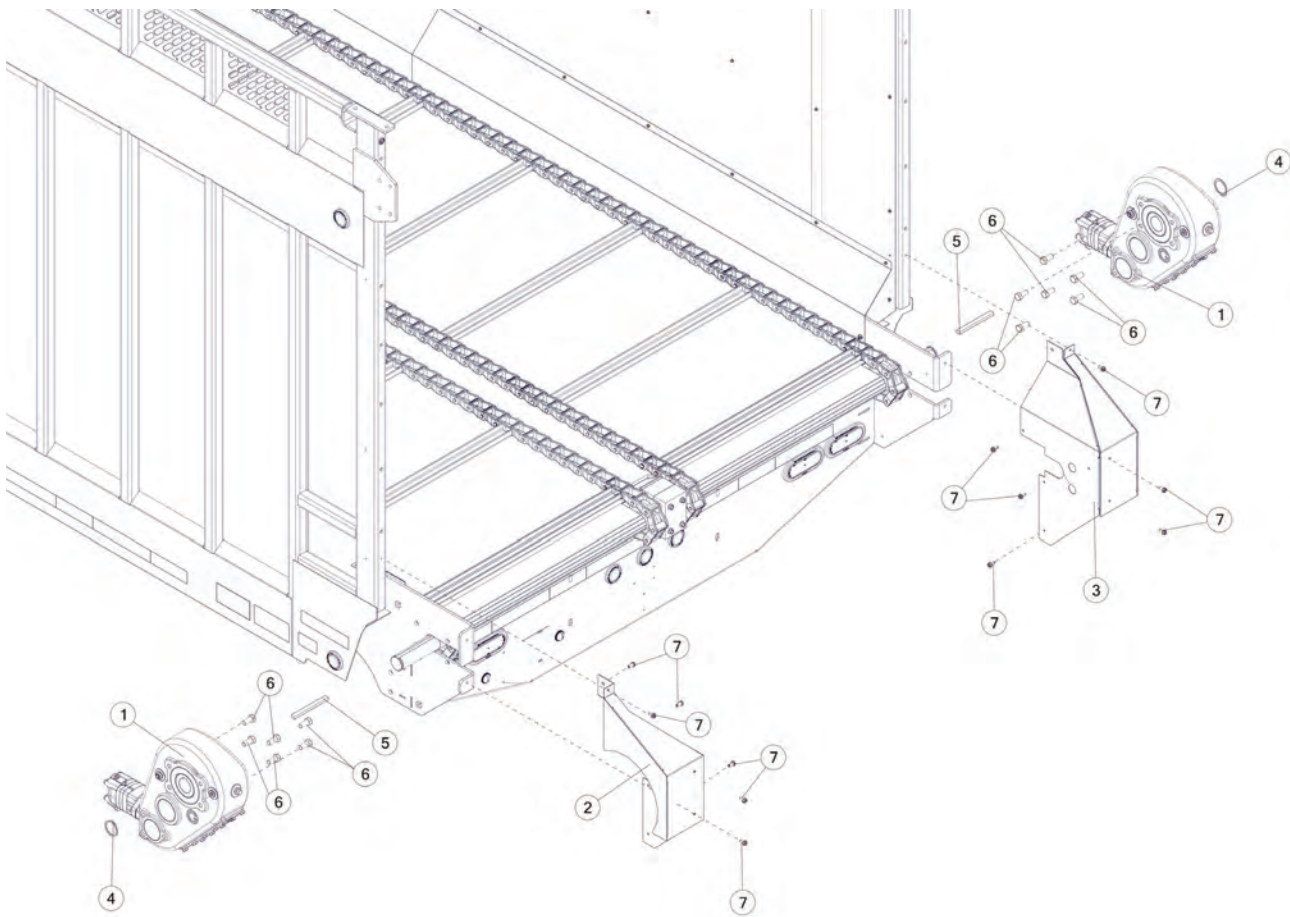




FIGURE 10
GEARBOX AND COMPONENTS

| REF # | PART # | DESCRIPTION | QTY |
|-------|-----------|----------------------------------|-----|
| 1 | 91430 | GEARBOX ASSEMBLY | 2 |
| 2 | 94432 | GEARBOX SHIELD, LH | 1 |
| 3 | 94267 | GEARBOX SHIELD, RH | 1 |
| 4 | 88674 | SNAP RING, EXTERNAL | 2 |
| 5 | 94395 | RECTANGLE KEY, 16MM X 10MM | 2 |
| 6 | YBHH82035 | BOLT HEX, M16-2 X 35 10.9 ZC | 12 |
| 7 | YSHW10034 | THREAD CUTTING SCREW, 5/16 X 3/4 | 12 |
| | | | |
| | | | |
| | | | |
| | | | |
| | | | |
| | | | |
| | | | |
| | | | |
| | | | |
| | | | |
| | | | |
| | | | |
| | | | |
| | | | |
| | | | |
| | | | |
| | | | |
| | | | |
| | | | |
| | | | |
| | | | |
| | | | |





FIGURE 11
91430 GEARBOX

| REF # | PART # | DESCRIPTION | QTY |
|-------|--------|-----------------|-----|
| 1 | 94061 | GEARBOX HOUSING | 1 |
| 2 | 94701 | SPUR, GEAR | 1 |
| 3 | 94702 | CROWN, GEAR | 1 |
| 4 | 94079 | PINION, GEAR | 1 |
| 5 | 94703 | CROWN, GEAR | 1 |
| 6 | 94704 | PINION, GEAR | 1 |
| 7 | 94057 | SLEEVE, SHAFT | 1 |
| 8 | 94705 | CROWN, GEAR | 1 |
| 9 | 94706 | SNAP RING | 1 |
| 10 | 94078 | SNAP RING | 2 |
| 11 | 94077 | SNAP RING | 2 |
| 12 | 94076 | SNAP RING | 3 |
| 13 | 94075 | SNAP RING | 1 |
| 14 | 94074 | BEARING | 2 |
| 15 | 94073 | BEARING | 2 |
| 16 | 94072 | BEARING | 2 |
| 17 | 94071 | BEARING | 1 |
| 18 | 94707 | SHIM KIT | 1 |
| 19 | 94065 | OIL LEVEL PLUG | 2 |
| 20 | 94066 | WASHER | 6 |
| 21 | 94070 | SEAL | 2 |
| 22 | 94069 | CAP | 2 |
| 23 | 94068 | CAP | 2 |
| 24 | 94067 | CAP | 1 |
| 25 | 94063 | BREATHER | 1 |
| 26 | 94062 | COVER PLATE | 1 |
| 27 | 94064 | OIL PLUG | 4 |
| | | | |
| | | | |
| | | | |
| | | | |
| | | | |
| | | | |
| | | | |





FIGURE 12

HYDRAULICS

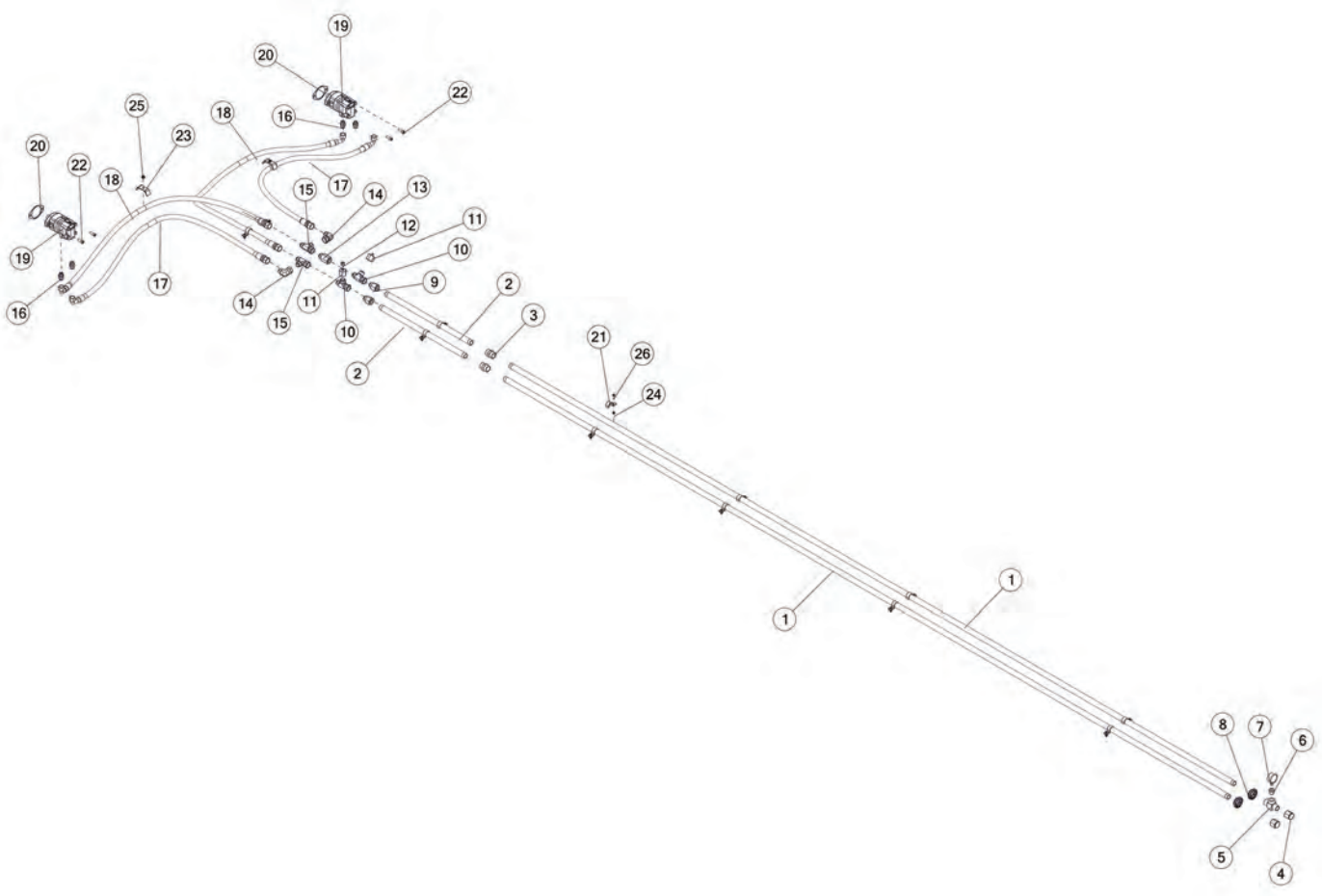




FIGURE 12

HYDRAULICS

| REF # | PART # | DESCRIPTION | QTY |
|-------|-----------|--------------------------------------|-----|
| 1 | BBSTPI02 | HYDRAULIC LINE, 1 | 2 |
| 2 | 82873 | HYDRAULIC LINE EXTENSIONS | 2 |
| 3 | BBS85 | MALE PIPE COUPLING, 1 | 2 |
| 4 | 82957 | FITTING, CAP, 1 NPT | 2 |
| 5 | DWM113 | SERVICE TEE | 1 |
| 6 | BBS37 | BUSHING, 1 NPTF TO 1/4 NPTF | 1 |
| 7 | BBS33 | GAUGE, 4000 PSI | 1 |
| 8 | BBS91 | ROUND LIGHT GROMMET | 2 |
| 9 | BBS65 | FITTING, STRAIGHT, 16JIC, 16NPT | 2 |
| 10 | CHM182 | FITTING, TEE, 16JIC X 16JIC X 16JIC | 2 |
| 11 | CHM183 | FITTING, STRAIGHT, 16JIC X 6JIC | 2 |
| 12 | 83114 | FITTING, CAP, 6JIC | 1 |
| 13 | 53829 | HYDRAULIC VALVE, CHECK, 1 | 1 |
| 14 | 8021 | SWIVEL NUT ELBOW | 2 |
| 15 | CHM182 | FITTING, TEE, 16JIC X 16JIC X 16JIC | 2 |
| 16 | GM21 | FITTING, STRAIGHT, 12JIC X 10ORB STL | 4 |
| 17 | BBSTMS17 | HYDRAULIC HOSE, 12, 61 | 2 |
| 18 | BBSTMS18 | HYDRAULIC HOSE, 12, 66 | 2 |
| 19 | 88033 | HYDRAULIC MOTOR | 2 |
| 20 | 94375 | GASKET, HYDRAULIC MOTOR | 2 |
| 21 | BBS86 | PIPE CLAMP | 12 |
| 22 | YSHM78030 | BOLT SOCKET, M12-1.75 X 30 8.8 BO | 4 |
| 23 | T223 | HOSE BRACKET | 2 |
| 24 | YNFG08010 | NUT FLANGE, 1/4 GF | 12 |
| 25 | YNFG12006 | NUT FLANGE, 3/8 GF | 2 |
| 26 | YBFB08100 | BOLT FLANGE, 1/4 X 1 G5 | 12 |
| | | | |
| | | | |
| | | | |
| | | | |
| | | | |
| | | | |
| | | | |
| | | | |
| | | | |
| | | | |



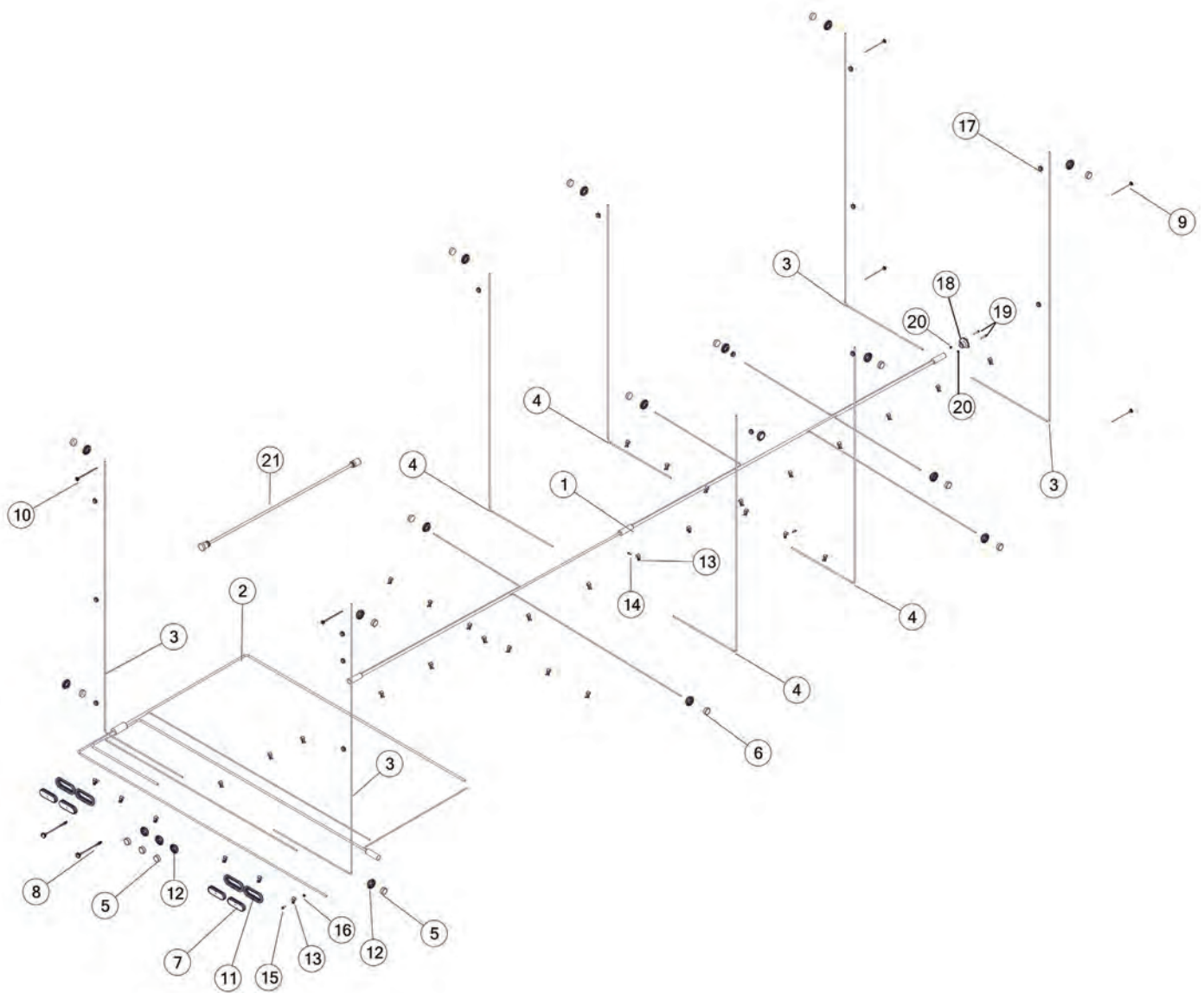




FIGURE 13 LIGHTS

| REF # | PART # | DESCRIPTION | QTY |
|-------|-----------|--|-----|
| 1 | 78666 | ELEC HARNESS, MID MAIN | 1 |
| 2 | 78656 | ELEC HARNESS, REAR MAIN | 1 |
| 3 | 78654 | ELECT HARNESS, F/R UPPER MARKER | 4 |
| 4 | 78655 | ELECT HARNESS, MID MARKER | 4 |
| 5 | BBS92 | MARKER LIGHT, RED ROUND | 7 |
| 6 | BBS93 | MARKER LIGHT, AMBER ROUND | 12 |
| 7 | 78671 | RED LED LIGHT, OVAL | 4 |
| 8 | BBS98 | LICENSE LIGHT | 2 |
| 9 | 8033 | AMBER LED LIGHT, ROUND | 4 |
| 10 | 8620 | RED LED LIGHT, ROUND | 2 |
| 11 | S308 | OVAL LIGHT GROMMET | 4 |
| 12 | BBS91 | ROUND LIGHT GROMMET | 19 |
| 13 | HGV72 | CUSHION WIRE CLAMP 3/4 | 34 |
| 14 | YSDR08005 | SCR SELF DRILL, HEX WASH HD, 1/4-14 X 1 ZC | 28 |
| 15 | YBHH10010 | BOLT HEX, 5/16-18 X 1 G5 ZC | 6 |
| 16 | YNFG10005 | NUT FLANGE, 5/16 GF | 6 |
| 17 | 8030 | PUSH-IN MIL SPEC GROMMET | 16 |
| 18 | 78653 | ELECTRIC HARNESS, FRONT TRUCK | 1 |
| 19 | YBFB08175 | BOLT FLANGE, 1/4 X 1-3/4 G5 | 2 |
| 20 | YNFG08010 | NUT FLANGE, 1/4 GF | 2 |
| 21 | 81670 | HARNESS EXTENSION | 1 |



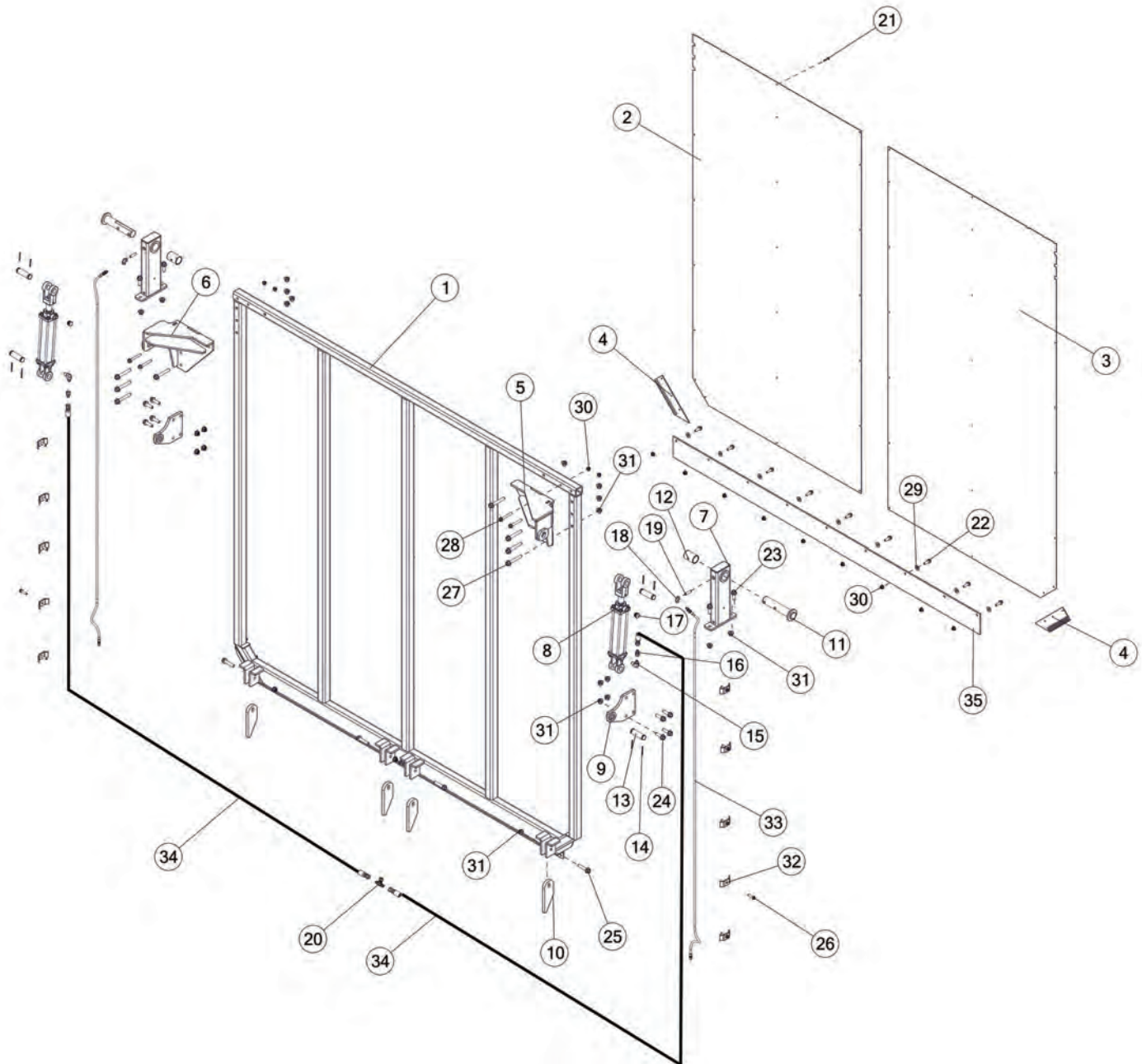




FIGURE 14

OPTIONAL BDOTPD

TOP PIVOT REAR DOOR W/HYD GATE DELAY

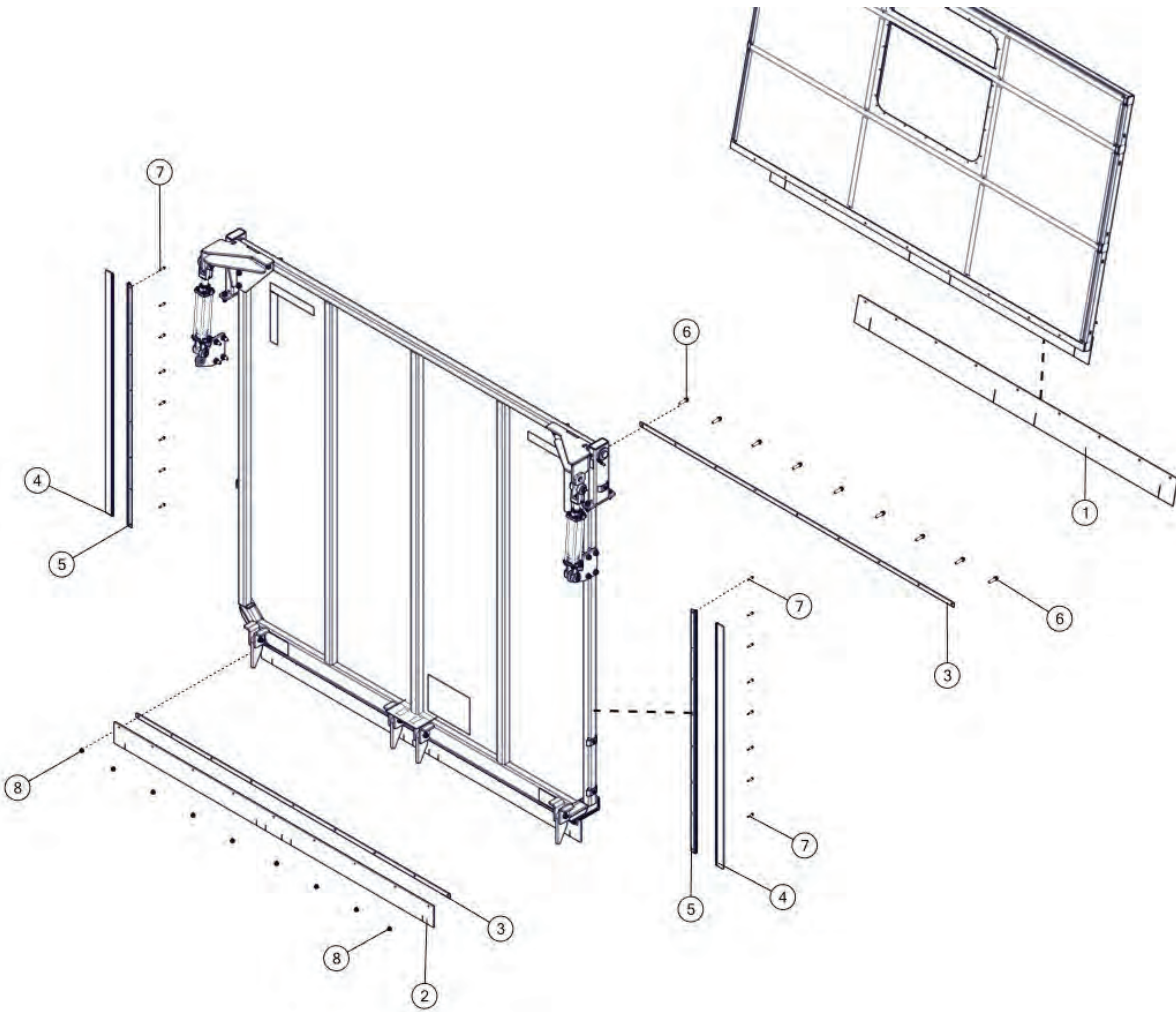
| REF # | PART # | DESCRIPTION | QTY |
|-------|-----------|--|-----|
| 1 | 96998 | DOOR | 1 |
| 2 | 97006 | DOOR SKIN LH | 1 |
| 3 | 97008 | DOOR SKIN RH | 1 |
| 4 | 88283 | CORNER DOOR SEAL | 2 |
| 5 | 89945 | UPPER GATE DELAY MOUNT, RH | 1 |
| 6 | 89265 | UPPER GATE DELAY MOUNT, LH | 1 |
| 7 | 94542 | STAKE TOP REAR ASSEMBLY | 2 |
| 8 | 55999 | CYLINDER, 2 x 8 3000 PSI | 2 |
| * | 56187 | SEAL KIT | 2 |
| 9 | 89267 | LOWER GATE DELAY MOUNT | 2 |
| 10 | BBS67 | LATCH | 4 |
| 11 | BBS64 | DOOR HINGE PIN | 2 |
| 12 | BFR625 | BRONZE BUSHING, TANDEM PIN | 2 |
| 13 | T143 | HYDRAULIC CYLINDER PIN | 4 |
| 14 | YPCT05010 | COTTER PIN 5/32 X 1-1/2 | 8 |
| 15 | CHM164 | FITTING 90, 6JIC X 3/8NPT | 2 |
| 16 | 58144 | IN-LINE CONNECTOR, ORIFICE, 6-XHX7-S .062 | 2 |
| 17 | BFR70 | VENT PLUG, 3/8 | 2 |
| 18 | 90684 | FITTING 90, 1/8NPT X 1/8NPT | 2 |
| 19 | 90681 | PIPE NIPPLE | 2 |
| 20 | 58137 | FITTING T, 6JIC X 6JIC X 6JIC | 1 |
| 21 | YSDR66007 | SCR SELF DRILL, HEX WASH HD, #12-14 X 1-1/4 ZC | 42 |
| 22 | YBFB12125 | BOLT FLANGE, 3/8 X 1-1/4 G5 | 9 |
| 23 | YBFB16150 | BOLT FLANGE, 1/2 X 1-1/2 G5 | 4 |
| 24 | YBFB16175 | BOLT FLANGE, 1/2 X 1-3/4 G5 | 8 |
| 25 | YBFB16250 | BOLT FLANGE, 1/2 X 2-1/2 G5 | 4 |
| 26 | YSHW10020 | THREAD CUTTING SCREW, 5/16 X 1-1/2 | 10 |
| 27 | YBFB16350 | BOLT FLANGE, 1/2 X 3-1/2 G5 | 8 |
| 28 | YBFB12300 | BOLT FLANGE, 3/8 X 3 G5 | 4 |
| 29 | YWFL12005 | WASHER FLAT, 3/8 USS | 9 |
| 30 | YNFG12006 | NUT FLANGE, 3/8 GF | 13 |
| 31 | YNFG16003 | NUT FLANGE, 1/2 GF | 24 |
| 32 | 23N67 | FRONT HOSE BRACKET | 10 |
| 33 | 90729 | HYDRAULIC HOSE, 2, 88 | 2 |
| 34 | 78689 | HYDRAULIC HOSE, 6, 230 | 2 |
| 35 | 94722 | DOOR RUBBER, REAR | 1 |
| | | | |
| | | | |





FIGURE 15

OPTIONAL FBOTPDSK SEAL KIT FOR TOP PIVOT DOOR



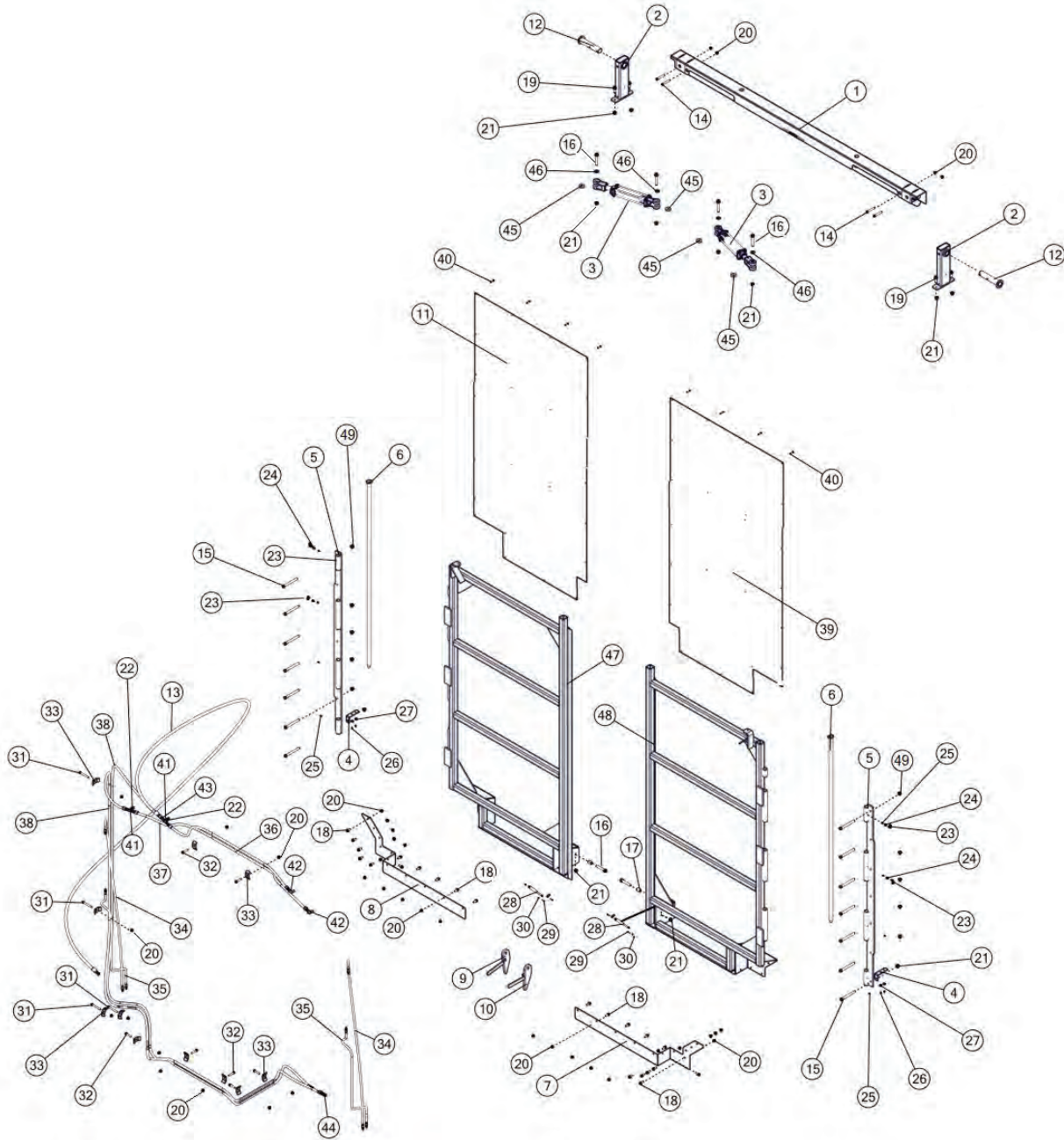




FIGURE 16

OPTIONAL BDOSBD - SWINGING BARN DOOR W/HYD CLOSURE CHASSIS MOUNT

| REF # | PART # | DESCRIPTION | QTY |
|-------|-----------|---|-----|
| 1 | 80317 | TOP CHANNEL | 1 |
| 2 | BBS20 | STAKE TOP REAR ASSEMBLY | 2 |
| 3 | 85176 | CYLINDER, 2 X 8 3000 PSI | 2 |
| 4 | 94849 | PLATE, GREASE LINE | 2 |
| 5 | 82438 | HINGE | 2 |
| 6 | 82449 | DOOR HINGE PIN | 2 |
| 7 | 0227RU01 | DOOR SEAL BOTTOM | 1 |
| 8 | 94790 | DOOR SEAL BOTTOM | 1 |
| 9 | 0227WE07 | LATCH, LH | 1 |
| 10 | 0227WE08 | LATCH, RH | 1 |
| 11 | 94794 | PANEL, STAINLESS BARN DOOR, LH | 1 |
| 12 | BBS64 | DOOR HINGE PIN | 2 |
| 13 | 78689 | HYDRAULIC HOSE, 6, 230 | 1 |
| 14 | YBHH12120 | BOLT HEX, 3/8 X 3 G5 | 4 |
| 15 | YBHH16160 | BOLT HEX, 1/2-13 X 5-1/2 G5 | 14 |
| 16 | YBFB16350 | BOLT FLANGE, 1/2 X 3-1/2 G5 | 6 |
| 17 | 0227PI02 | LATCH SPACER | 2 |
| 18 | YBFB12003 | BOLT FLANGE, 3/8 X 1 G5 | 22 |
| 19 | YBFB16150 | BOLT FLANGE, 1/2 X 1-1/2 G5 | 4 |
| 20 | YNFG12006 | NUT FLANGE, 3/8 GF | 41 |
| 21 | YNFG16005 | NUT FLANGE, 1/2-13 LKTL G ZC | 22 |
| 22 | 58124 | FITTING STRAIGHT, 04JIC, 06NPT | 2 |
| 23 | 89726 | FITTING 90, 1/8NPT X 1/8NPSM | 4 |
| 24 | TS323 | FITTING STRAIGHT, 1/4-28, 1/8-27NPT | 4 |
| 25 | MS26 | STRAIGHT ZERK, 1/4-28 | 8 |
| 26 | G89 | STRAIGHT ZERK, 1/4-28 | 4 |
| 27 | YNJM04005 | NUT, JAM, 1/8 A | 4 |
| 28 | SD190 | GAS STRUT | 2 |
| 29 | 1135 | SCREW MACHINE, PHILLIPS HEAD, #8-32 X 3/4 | 4 |
| 30 | YNHX62005 | NUT HEX, MACHINE, #8-32 NA ZC | 4 |
| 31 | YBFB10350 | BOLT FLANGE, 5/16 X 3-1/2 G8 | 4 |
| 32 | YBFB10200 | BOLT FLANGE, 5/16 X 2 G5 | 7 |
| 33 | 23N67 | FRONT HOSE BRACKET | 11 |
| 34 | 88909 | GREASE HOSE, 3, 66 | 2 |
| 35 | 89739 | GREASE HOSE, 3, 45 | 2 |
| 36 | 85174 | HYDRAULIC HOSE, 4, 58 | 1 |
| 37 | 85189 | HYDRAULIC HOSE, 4, 80 | 1 |
| 38 | 85154 | HYDRAULIC HOSE, 4, 224 | 2 |
| 39 | 94802 | PANEL, STAINLESS BARN DOOR, RH | 1 |





FIGURE 16

OPTIONAL BDOSBD - SWINGING BARN DOOR

W/HYD CLOSURE CHASSIS MOUNT

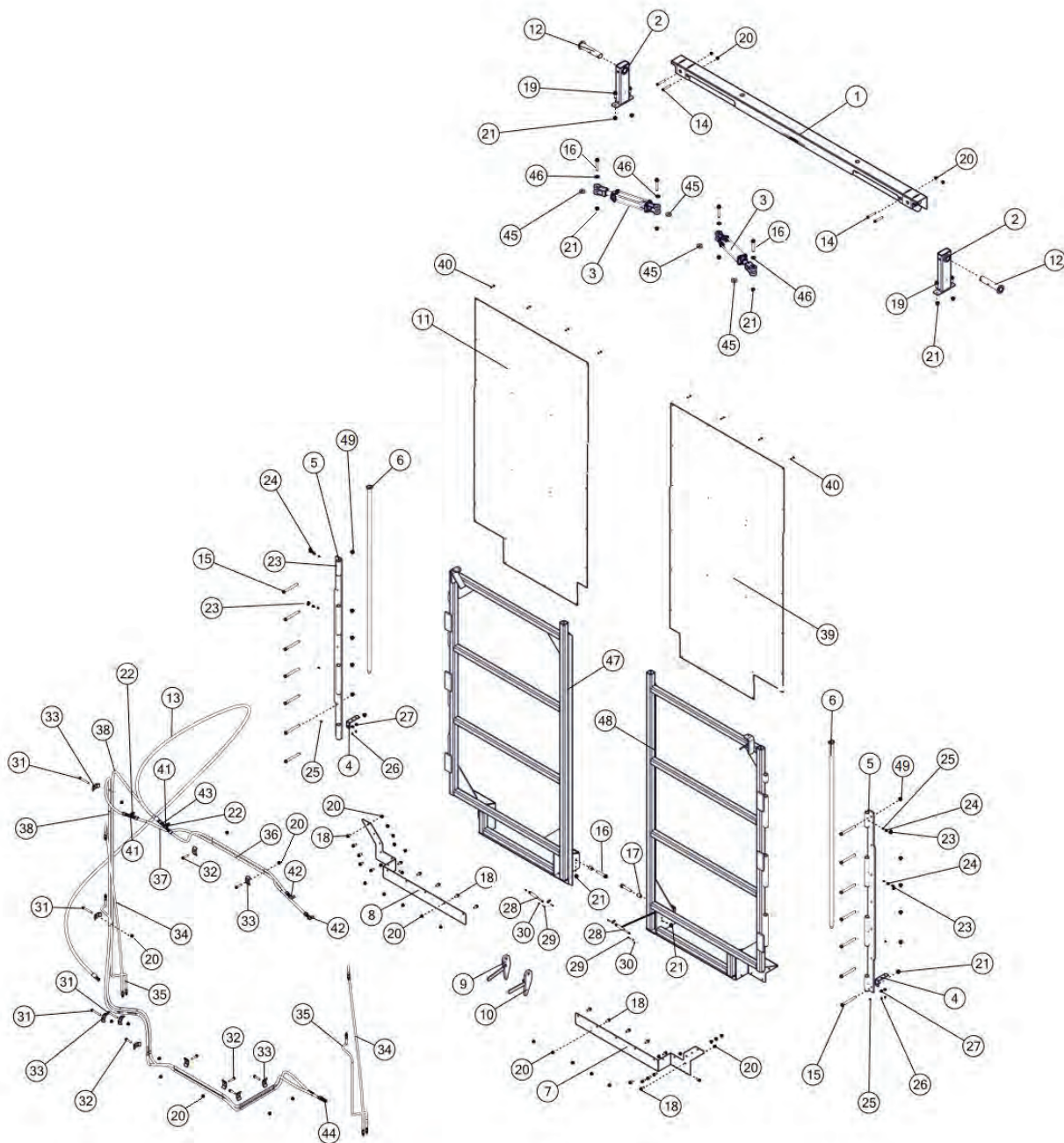




FIGURE 17

OPTIONAL BDOESST30

ELECTRIC DRIVE SIDE-TO-SIDE TARP

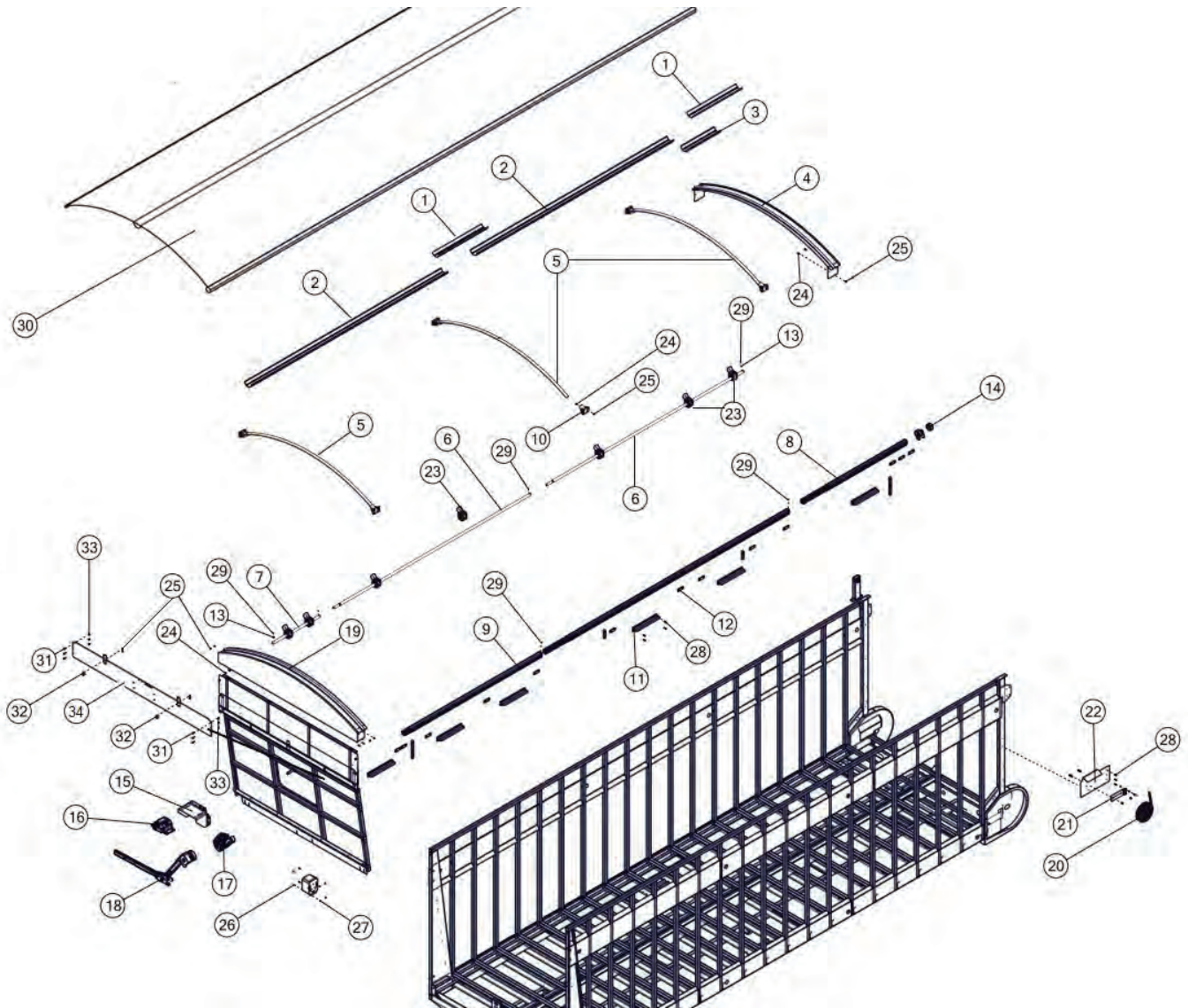


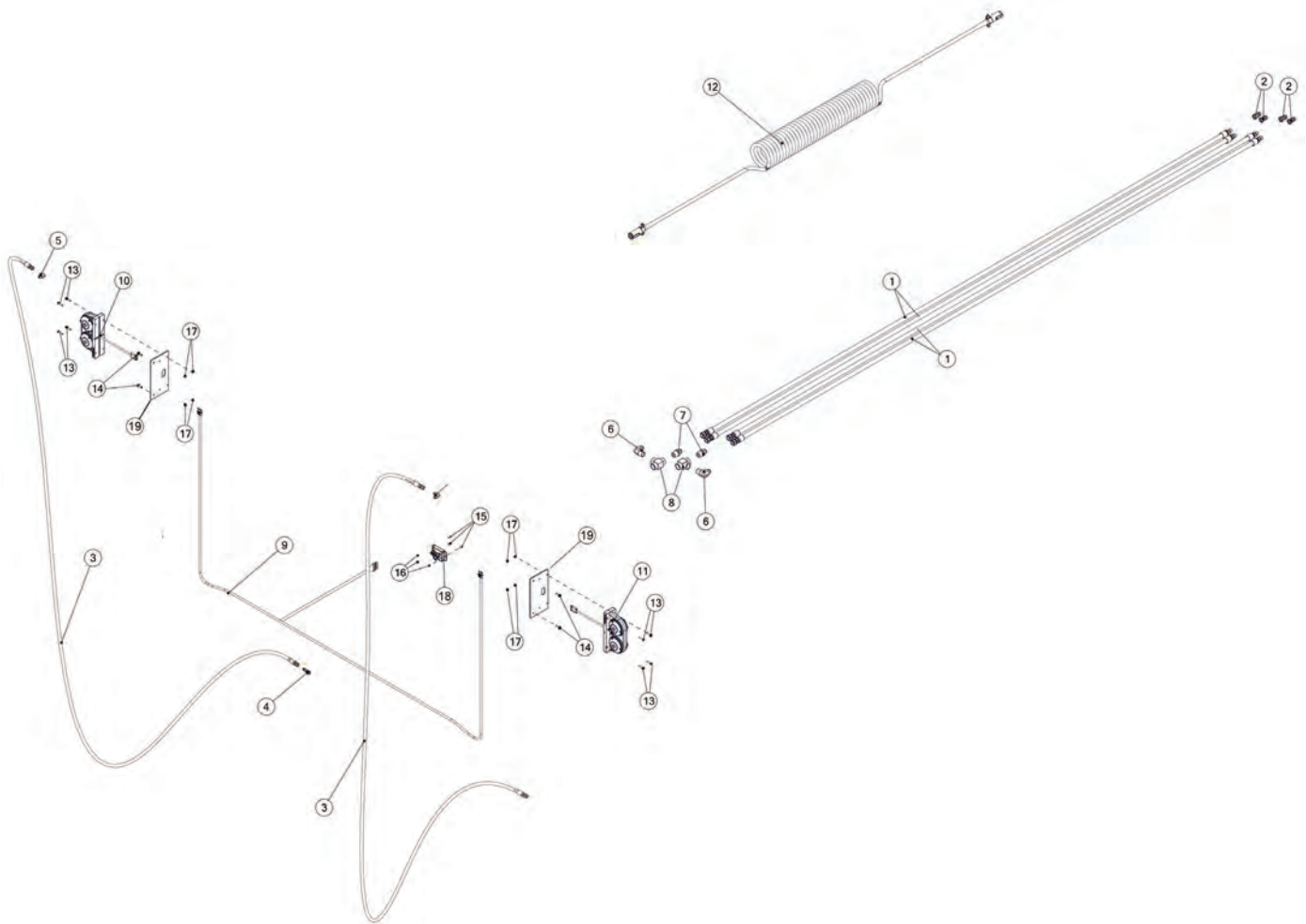


FIGURE 17

OPTIONAL BDOESST30 ELECTRIC DRIVE SIDE-TO-SIDE TARP

| REF # | PART # | DESCRIPTION | QTY |
|-------|-----------|--|-----|
| 1 | 92882 | RIDGE POLE SPLICE | 2 |
| 2 | 92818 | RIDGE POLE | 2 |
| 3 | 92821 | RIDGE POLE, 72 | 1 |
| 4 | 93117 | END CAP ARCH | 1 |
| 5 | 93115 | BOW | 3 |
| 6 | 92823 | TARP POLE | 3 |
| 7 | 93795 | TUBE, 88 | 1 |
| 8 | 92807 | AXLE, 3 MIDDLE | 2 |
| 9 | 93778 | AXLE, FRONT | 1 |
| 10 | 93408 | BRACKET, BOW | 6 |
| 11 | 92813 | LOCKING LIP | 6 |
| 12 | 92812 | TARP CLIP | 13 |
| 13 | YWFL08005 | WASHER FLAT, 1/4 | 2 |
| 14 | 92814 | CAP | 1 |
| 15 | 92829 | BRACKET | 1 |
| 16 | 92828 | PIVOT ASSEMBLY | 1 |
| 17 | 92836 | TARP MOTOR | 1 |
| 18 | 92833 | PIVOT ARM ASSEMBLY | 1 |
| 19 | 92792 | END CAP | 1 |
| 20 | 92797 | SPOOL, ROLL RITE | 1 |
| 21 | 92801 | BRACKET, MOUNTING SPOOL | 1 |
| 22 | 89901 | TARP SPRING BRACKET | 1 |
| 23 | 92811 | TARP STOP | 7 |
| 24 | YBFB10001 | BOLT FLANGE, 5/16 X 1 G5 | 24 |
| 25 | YNFG10005 | NUT FLANGE, 5/16 GF | 22 |
| 26 | YBFB08100 | BOLT FLANGE, 1/4 X 1 G5 | 4 |
| 27 | YNFG08010 | NUT FLANGE, 1/4 GF | 4 |
| 28 | YSWH10005 | SCREW, HEX WASH HD UNSLOTTED 5/16-18 X 1-1/4 | 32 |
| 29 | GM234 | RIVET, 3/16 DIA, .376 - .50 GRIP | 6 |
| 30 | 93796 | TARP, 30 FT | 1 |
| 31 | YBFB12125 | BOLT FLANGE, 3/8 X 1-1/4 G5 | 8 |
| 32 | YBFB10001 | BOLT FLANGE, 5/16 X 1 G5 | 4 |
| 33 | YNFG12006 | NUT FLANGE, 3/8 GF | 6 |
| 34 | 93433 | PLATE, TARP MOUNT | 1 |
| * | 92827 | POWER ARM COMPLETE, ROLL RITE | 1 |
| | | | |
| | | | |





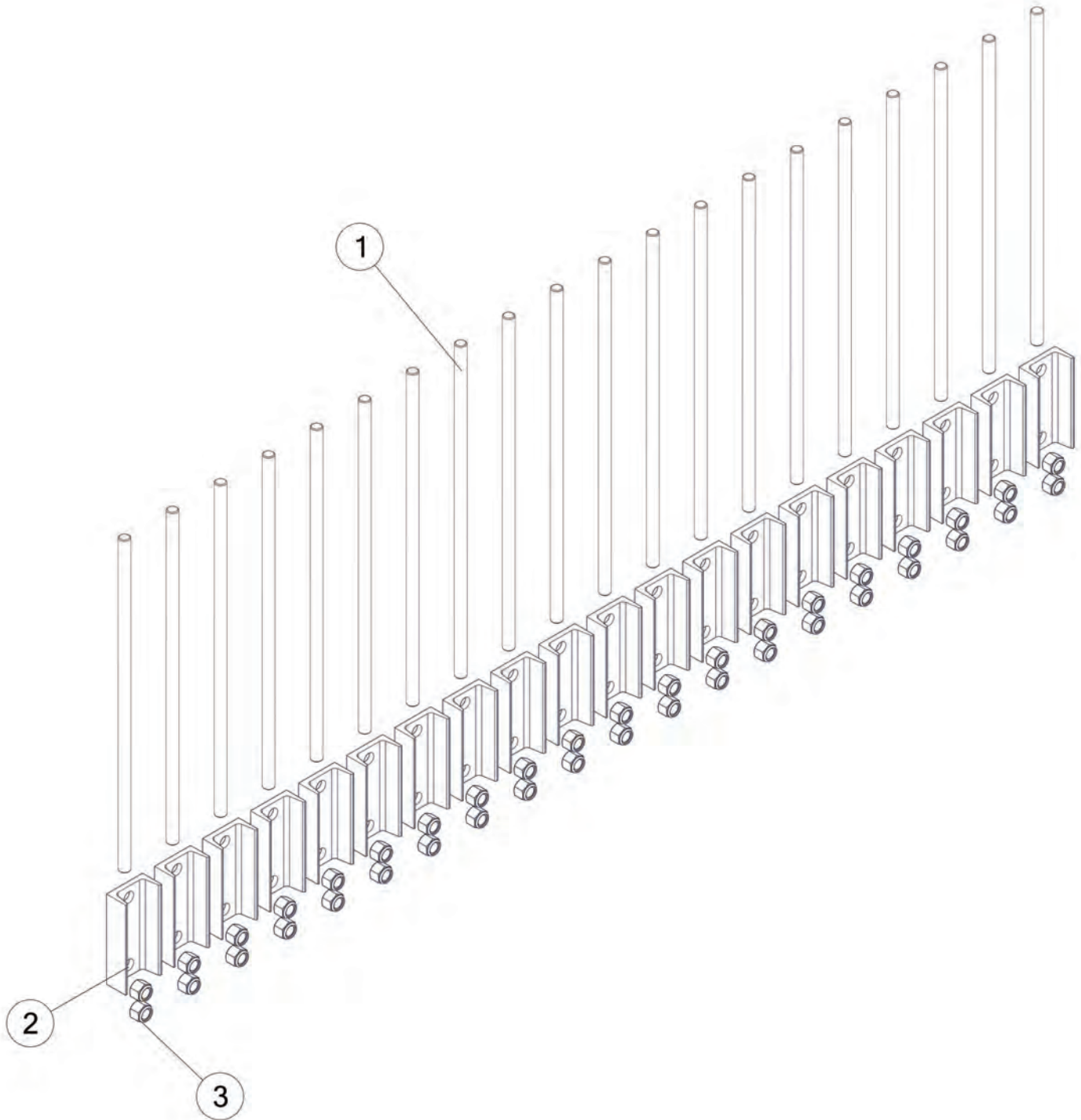




FIGURE 20

OPTIONAL BDOSF30
SCREEN FILLER KIT 30FT BIG DOG

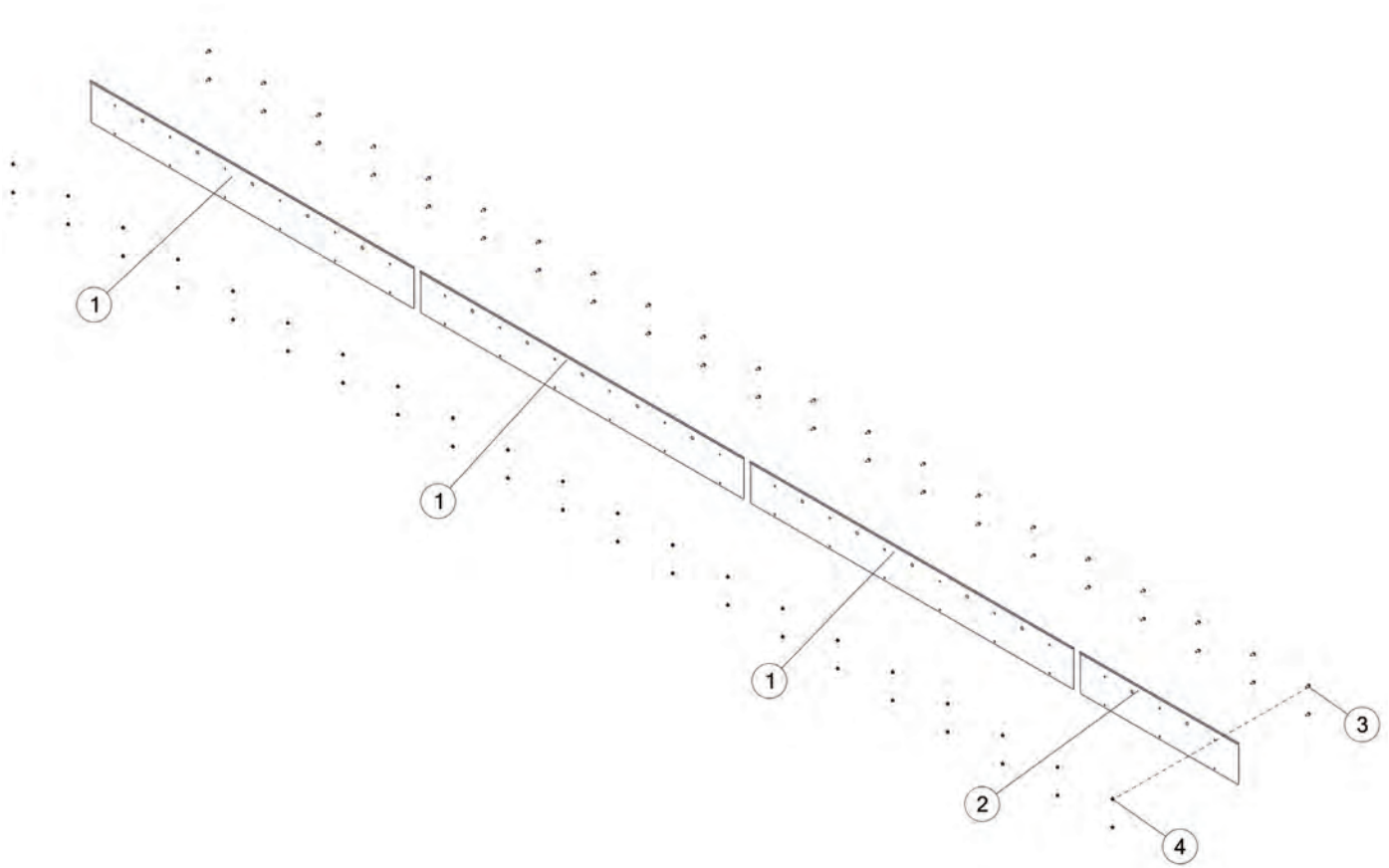




FIGURE 20

OPTIONAL BDOSF30

SCREEN FILLER KIT 30FT BIG DOG

| REF # | PART # | DESCRIPTION | QTY |
|-------|-----------|----------------------------|-----|
| 1 | 82464 | SCREEN COVER | 3 |
| 2 | 82903 | SCREEN COVER, REAR | 1 |
| 3 | YBFB10075 | BOLT FLANGE, 5/16 X 3/4 G5 | 42 |
| 4 | YNFG10005 | NUT FLANGE, 5/16 GF | 42 |

* NOTE: TWO KITS REQUIRED TO DO COMPLETE BOX





FIGURE 21

OPTIONAL TDOEAC

ELEC ACTUATOR CONTROL-FLIP DOWN FRONT

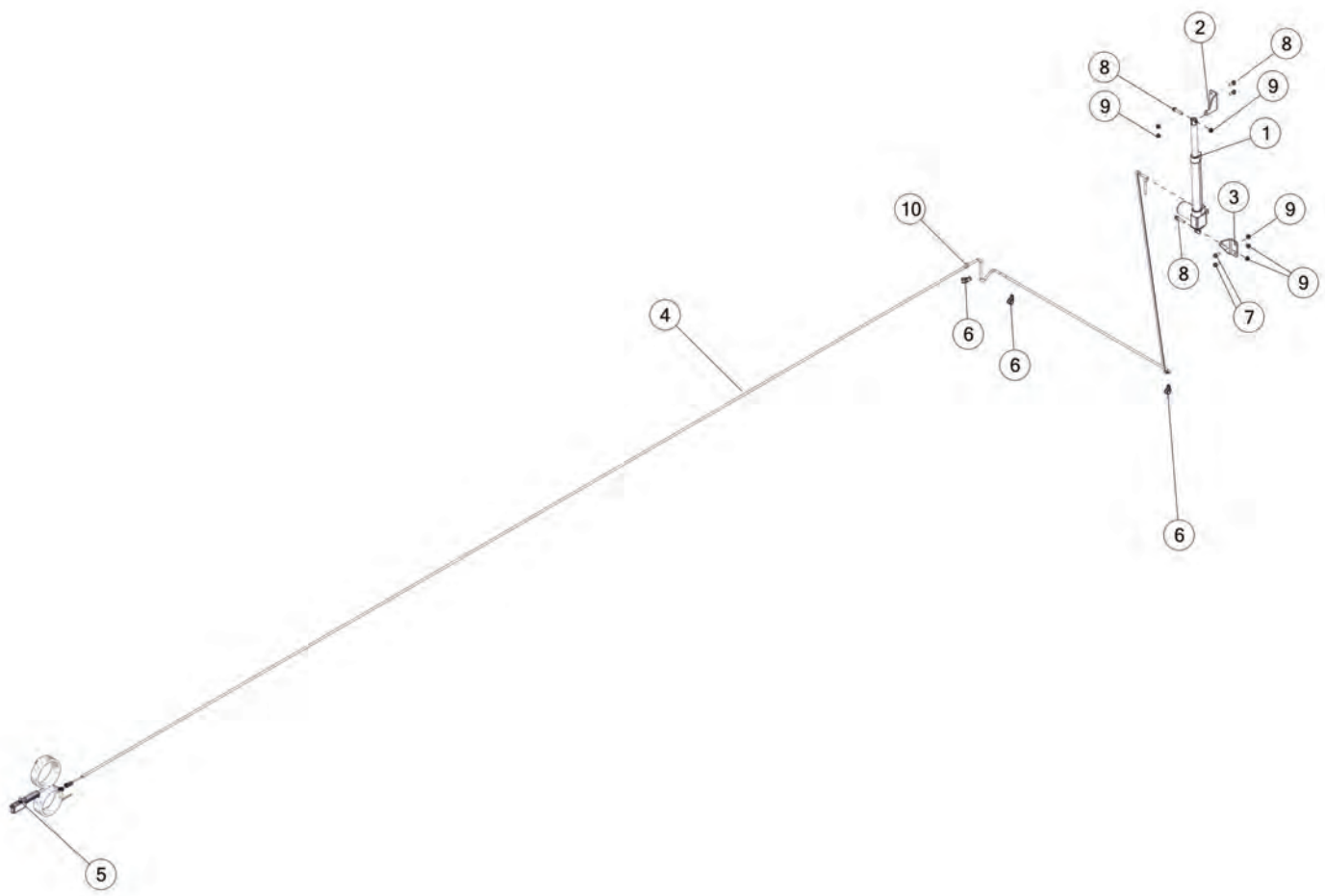




FIGURE 22

OPTIONAL FBRH30

ROOF HOOD 30FT BOXES

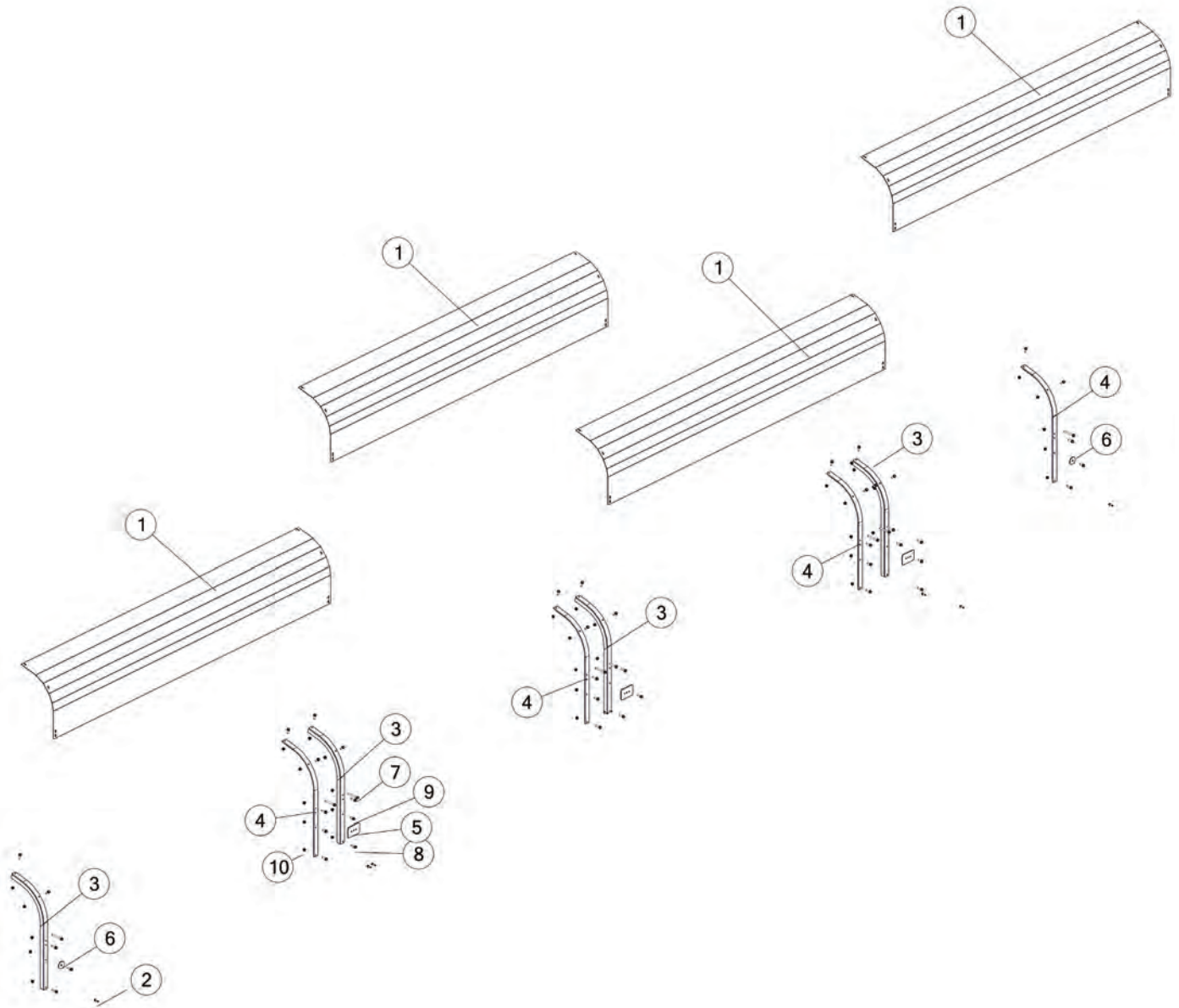




FIGURE 23 OPTIONAL TDOSBD - TRUCK MOUNT SWINGING BARN DOORS W/AIR CLOSURE

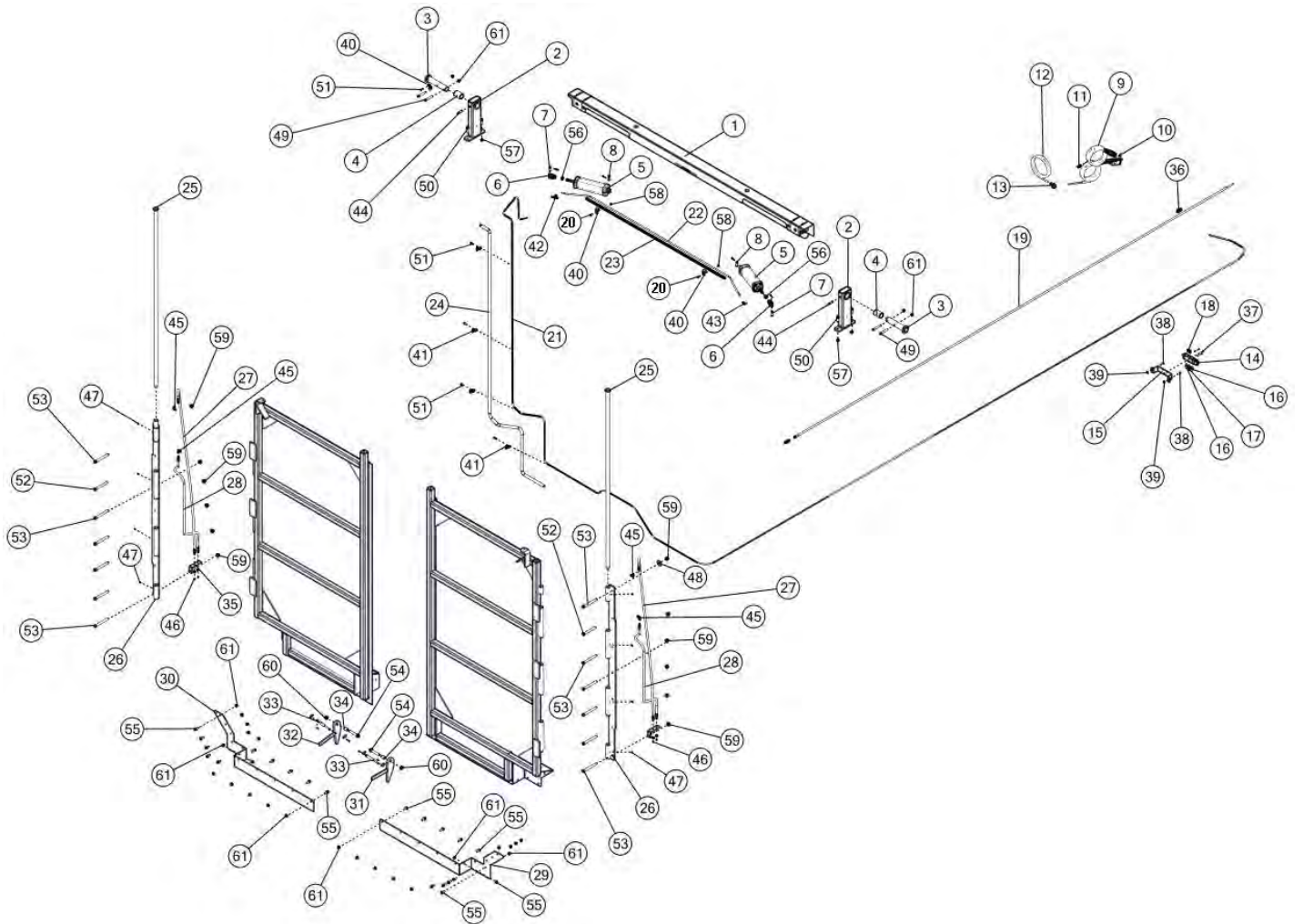




FIGURE 23

OPTIONAL TDOSBD - TRUCK MOUNT SWINGING BARN DOORS W/AIR CLOSURE

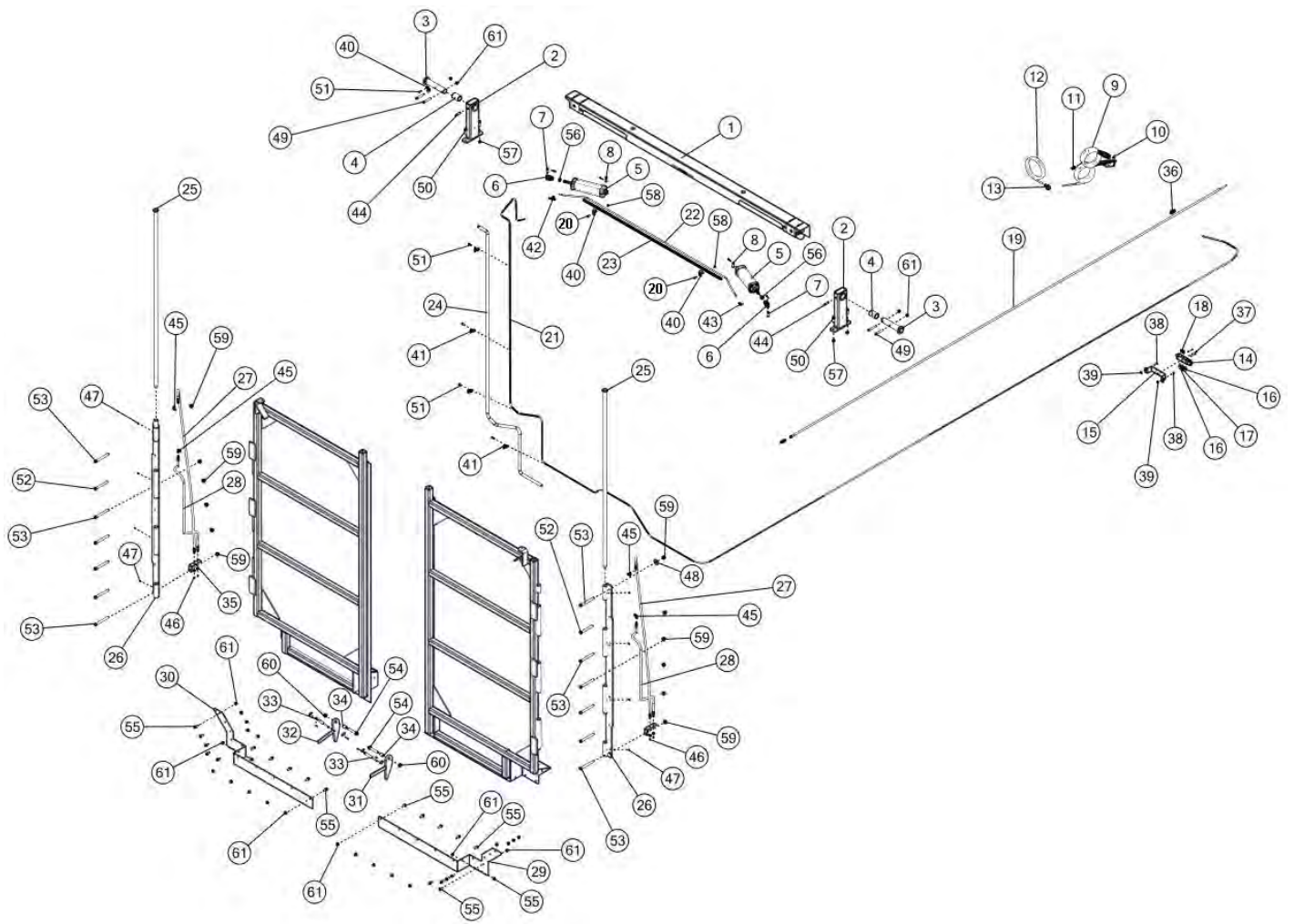
| REF # | PART # | DESCRIPTION | QTY |
|-------|-----------|--------------------------------|-----|
| 1 | 85203 | TOP CHANNEL, AIR | 1 |
| 2 | BBS21 | STAKE TOP REAR | 2 |
| 3 | BBS64 | DOOR HINGE PIN | 2 |
| 4 | BBS39 | BUSHING | 2 |
| 5 | GD49 | AIR CYLINDER, 2-1/2 X 8 | 2 |
| 6 | 8542 | CLEVIS, .625-18 | 2 |
| 7 | 8544 | CLEVIS PIN, 1/2 DIA X 1-1/2 | 2 |
| 8 | 8543 | CLEVIS PIN, 1/2 DIA X 1-3/8 | 2 |
| 9 | 63361 | HAND CONTROLLER, (ON)-OFF | 1 |
| 10 | 16SV235 | SWITCH BOOTS | 1 |
| 11 | 58790 | DEUTSCH 2 PIN PLUG HOUSING | 1 |
| 12 | 1093 | DIN CORD | 1 |
| 13 | LW285 | DIN CONNECTOR SMALL | 1 |
| 14 | 8031 | NORGREN VALVE 4 WAY | 1 |
| 15 | 54510 | AIR VALVE MOUNTING BRACKET | 1 |
| 16 | GD7 | VENT PLUG, CONE SHAPED, 1/4 | 2 |
| 17 | 58651 | DOT FITTING, 1/4 to 3/8 | 1 |
| 18 | GD6 | MALE COUPLER, 1/4 | 2 |
| 19 | 58521 | TRACTOR POWER SUPPLY CABLE | 1 |
| 20 | YBHH08100 | BOLT HEX, 1/4-20 X 3/4 G5 | 2 |
| 21 | 79792 | CYLINDER SUPPLY LINE 530 BLACK | 1 |
| 22 | 0227MS03 | CYLINDER TIE AIR LINE | 1 |
| 23 | 0227MS02 | WIRE LOOM | 1 |
| 24 | 0227MS01 | AIR LINE SHIELD | 1 |
| 25 | 82449 | DOOR HINGE PIN | 2 |
| 26 | 82438 | HINGE | 2 |
| 27 | 88909 | GREASE HOSE, 3, 66 | 2 |
| 28 | 89739 | GREASE HOSE, 3, 45 | 2 |
| 29 | 0227RU01 | DOOR SEAL BOTTOM | 1 |
| 30 | 94790 | DOOR SEAL BOTTOM | 1 |
| 31 | 0227WE08 | LATCH, RH | 1 |
| 32 | 0227WE07 | LATCH, LH | 1 |
| 33 | SD190 | GAS STRUT | 2 |
| 34 | 0227PI02 | LATCH SPACER | 2 |
| 35 | 94849 | PLATE, GREASE LINE | 2 |
| 36 | GD23 | STRAIN RELIEF, CONNECTOR | 1 |
| 37 | YSHS62005 | BOLT SOCKET, #8-32 X 1-3/4 BO | 3 |
| 38 | YBHH08010 | BOLT HEX, 1/4-20 X 1 G5 | 4 |
| 39 | YWFL08005 | WASHER, FLAT, 1/4 USS | 2 |





FIGURE 23

OPTIONAL TDOSBD - TRUCK MOUNT SWINGING BARN DOORS W/AIR CLOSURE





H&S MFG. CO.
products approved
for the
FEMA
SEAL OF QUALITY



Manufactured by:
H&S MANUFACTURING CO., INC.
2608 S. HUME AVE. MARSHFIELD, WI 54449
(715) 387-3414 | hsmfgco.com

