



**BD1230**  
***BIG DOG***  
**FORAGE BOX**  
**PARTS BOOK**

Part #94489 HSMFG073123 Rev. #02 Starting Ser. #322BD30007

**STRONG HERITAGE - STRONG PEOPLE - STRONGER FUTURE**



# TABLE OF CONTENTS

| FIGURE # | CONTENTS  | PAGE # |
|----------|---|--------|
| *        | INSTRUCTIONS FOR ORDERING PARTS                                     | 1      |
| 1        | RH SIDE EXTENSION PANELS  | 2-3    |
| 2        | LH SIDE EXTENSION PANELS  | 4-5    |
| 3        | FRONT PANEL W/WINDOW  | 6-7    |
| 4        | FRONT PANEL AND COMPONENTS  | 8-9    |
| 5        | FRONT SHIELDS AND COMPONENTS  | 10-11  |
| 6        | FLOOR HOLD DOWNS AND COMPONENTS                                     | 12-13  |
| 7        | FLOOR CHAIN   | 14-15  |
| 8        | FRONT IDLER SHAFT AND COMPONENTS                                    | 16-17  |
| 9        | REAR DRIVE SHAFT AND COMPONENTS                                     | 18-19  |
| 10       | GEARBOX AND COMPONENTS  | 20-21  |
| 11       | GEARBOX   | 22-23  |
| 12       | HYDRAULICS  | 24-25  |
| 13       | LIGHTS  | 26-27  |
| 14       | OPTIONAL TOP PIVOT REAR DOOR W/HYD GATE DELAY (BDOTPD)              | 28-29  |
| 15       | OPTIONAL SEAL KIT FOR TOP PIVOT DOOR (FBOTPDSK)                     | 30-31  |
| 16       | OPTIONAL SWINGING BARN DOOR W/HYD CLOSURE<br>CHASSIS MOUNT (BDOSBD) | 32-35  |
| 17       | OPTIONAL ELECTRIC DRIVE SIDE-TO-SIDE TARP (BDOESST30)               | 36-37  |
| 18       | OPTIONAL CHASSIS MOUNT KIT (BDOCMK)                                 | 38-39  |
| 19       | OPTIONAL TRUCK MOUNT KIT (WBOTMK)                                   | 40-41  |
| 20       | OPTIONAL SCREEN FILLER KIT-DEALER INSTALL (BDOSF30)                 | 42-43  |
| 21       | OPTIONAL ACTUATOR CONTROL FLIP DOWN (TDOEAC)                        | 44-45  |
| 22       | OPTIONAL ROOF HOOD (FBRH30)   | 46-47  |
| 23       | OPTIONAL SWINGING BARN DOORS W/AIR CLOSURE (TDOSBD)                 | 48-51  |
| 24       | OPTIONAL GRAIN HOPPER KIT W/HYD FLOW CONTROL (TDOGHK)               | 52-53  |
| *        | PARTS NOTES   | 54     |



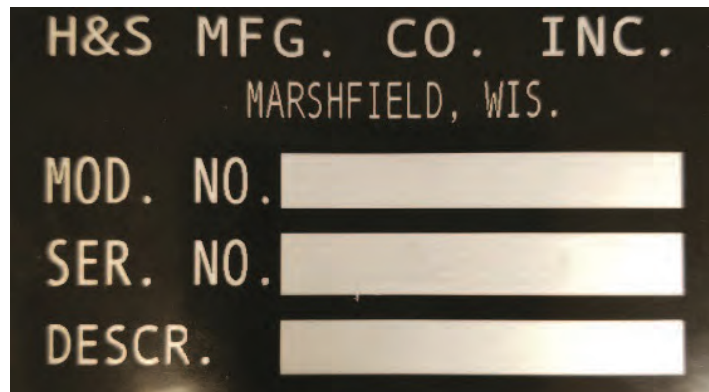
# INSTRUCTIONS FOR ORDERING PARTS

All service parts should be ordered through your authorized H&S dealer. Your Dealership will be able to give you faster service if you will provide them with the following:

1. All references to left or right apply to the machine as viewed from the rear.
2. Parts should not be ordered from illustration only. Please order complete part number.
3. If your dealer has to order parts, give shipping instructions:

VIA truck - large pieces (please specify local truck lines)

VIA United Parcel Service (include full address)



PLEASE RECORD NUMBERS FOR YOUR UNIT FOR QUICK REFERENCE

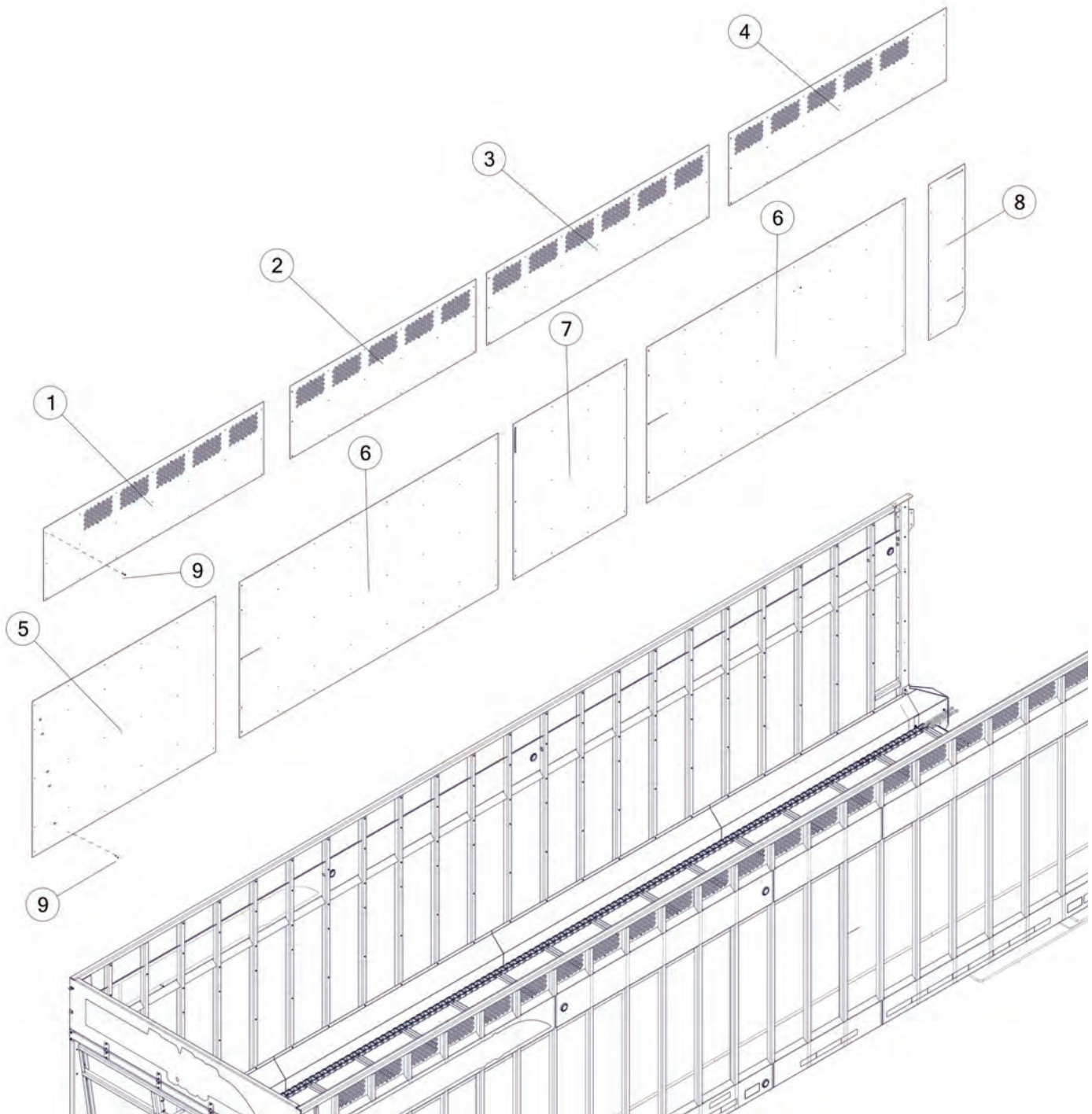
H&S IS CONTINUALLY STRIVING TO IMPROVE ITS PRODUCTS

We must, therefore, reserve the right to make improvements or changes whenever it becomes practical to do so, without incurring any obligation to make changes or additions to the equipment previously sold.





**FIGURE 1**  
**RH SIDE EXTENSION PANELS**

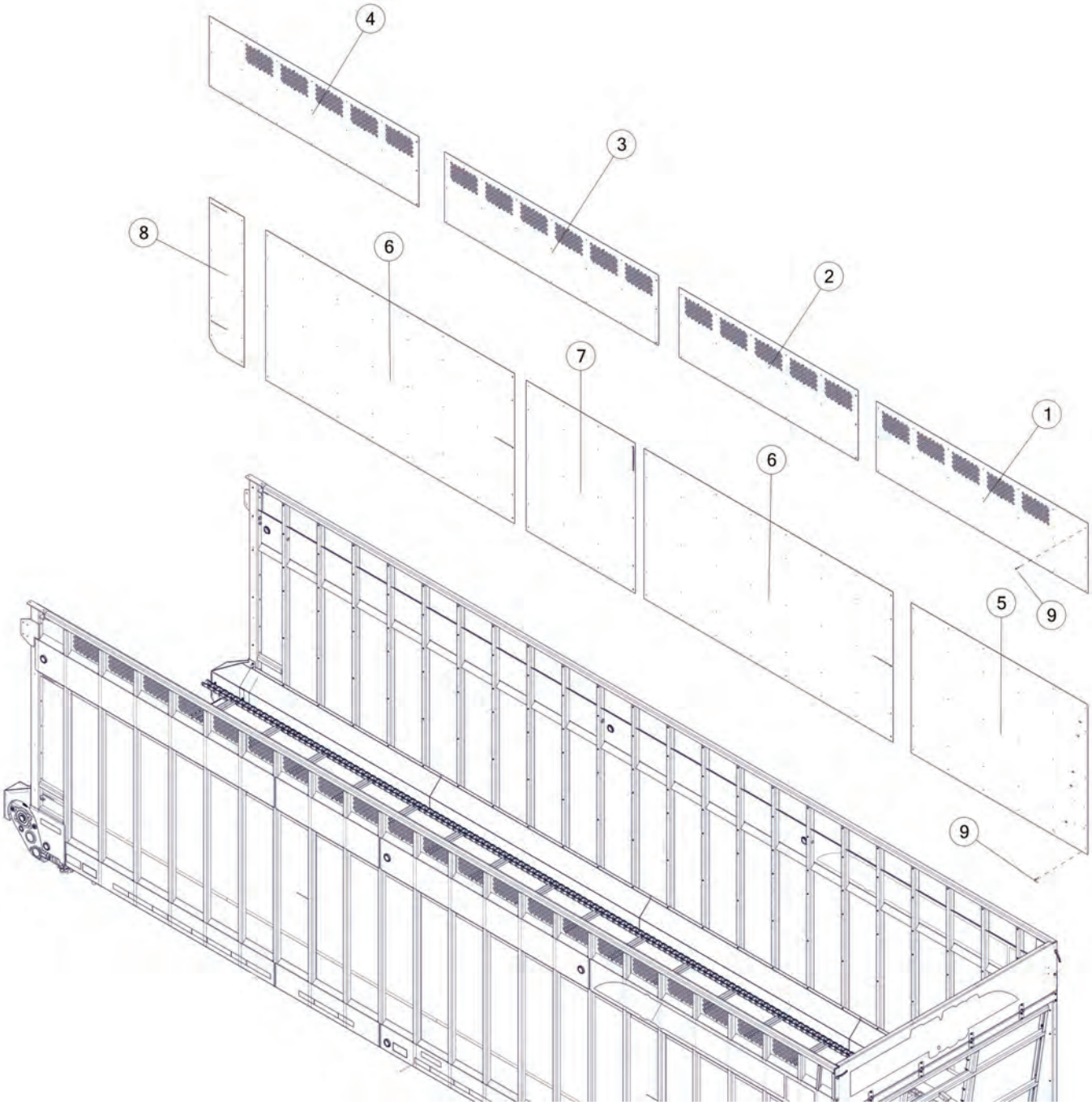








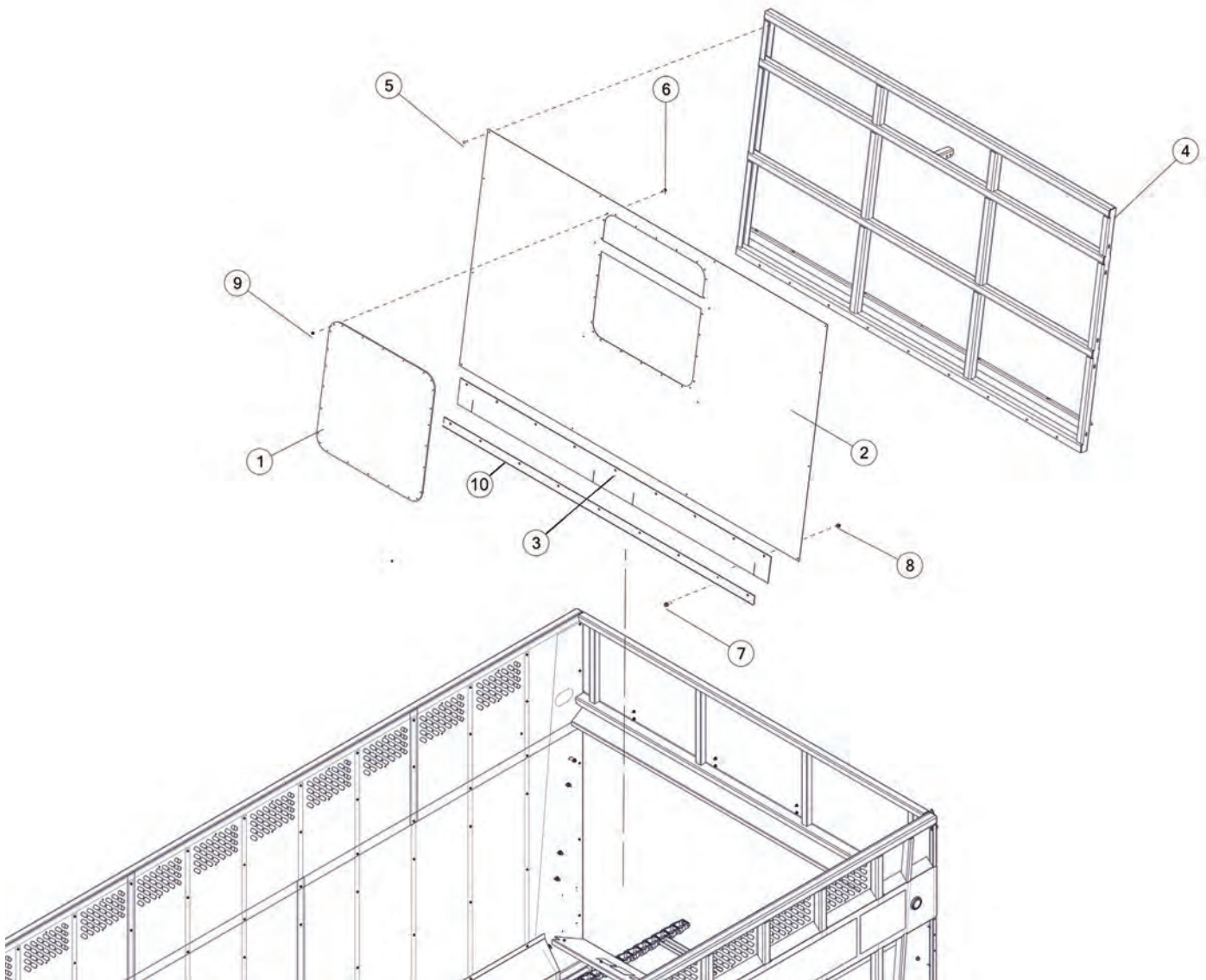
# FIGURE 2 LH SIDE EXTENSION PANELS







**FIGURE 3**  
**FRONT PANEL W/ WINDOW**

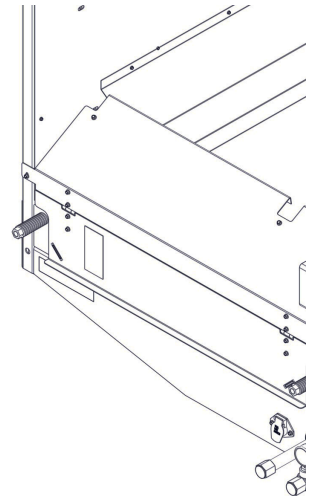
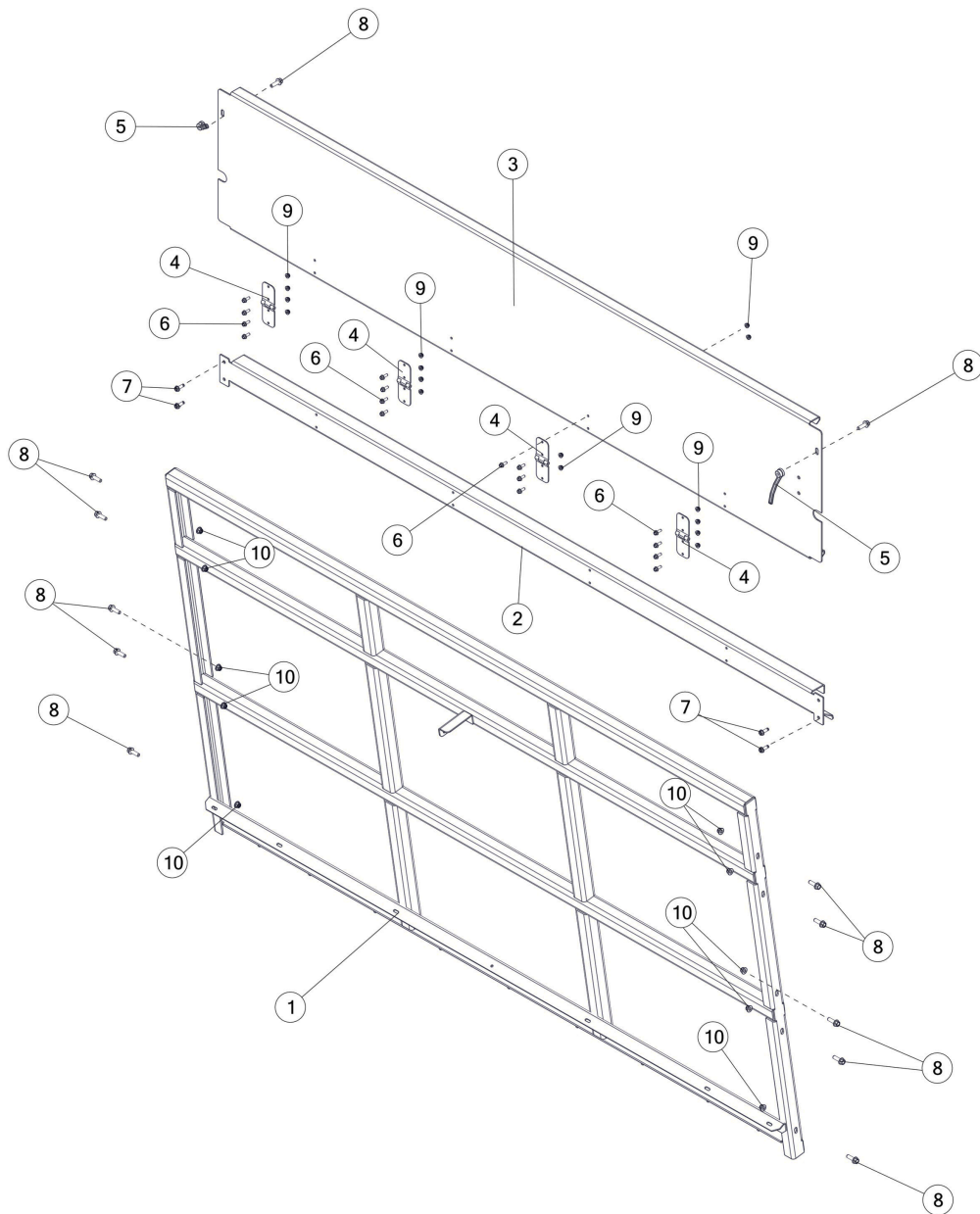








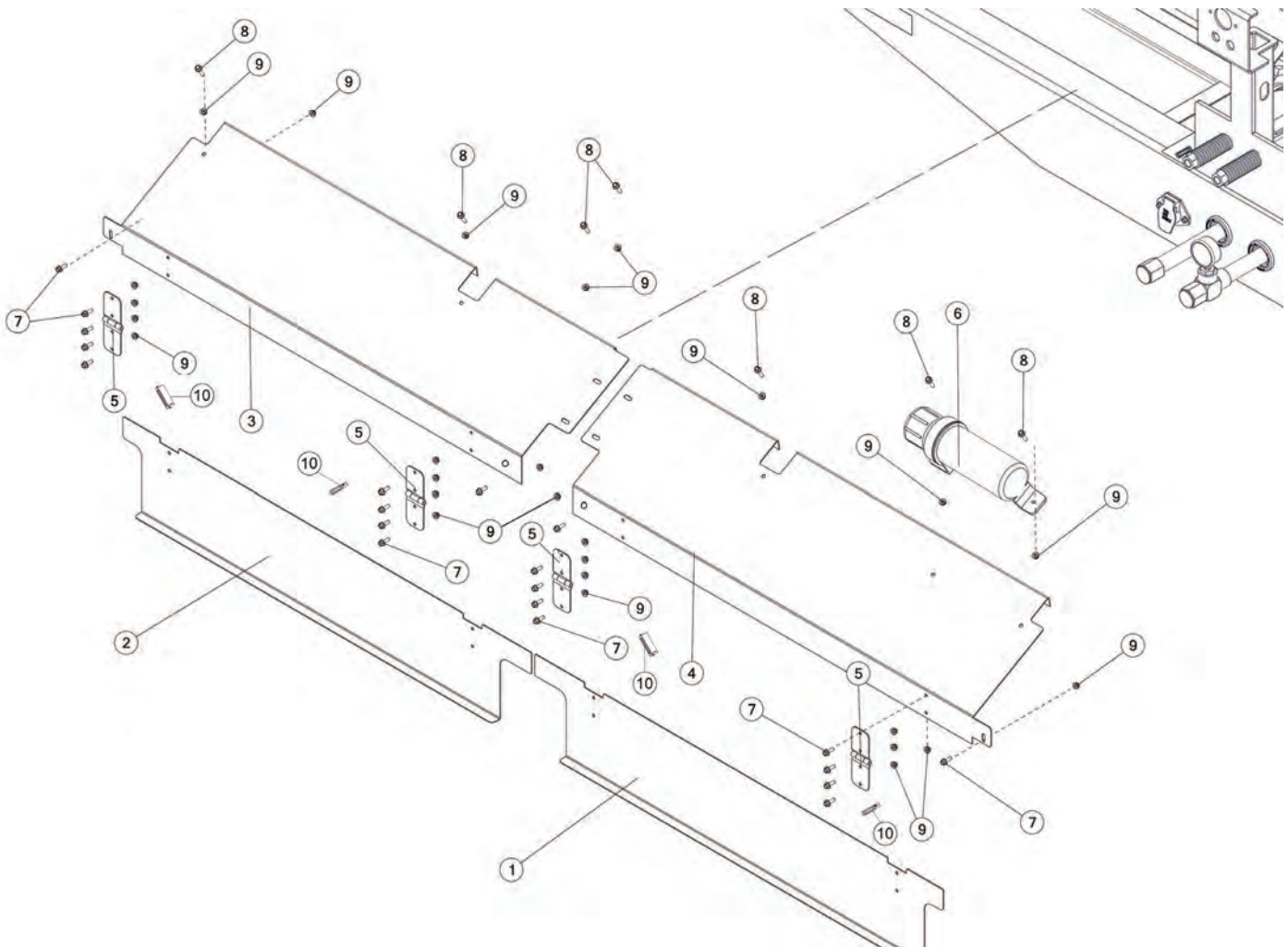
# FIGURE 4 FRONT PANEL AND COMPONENTS





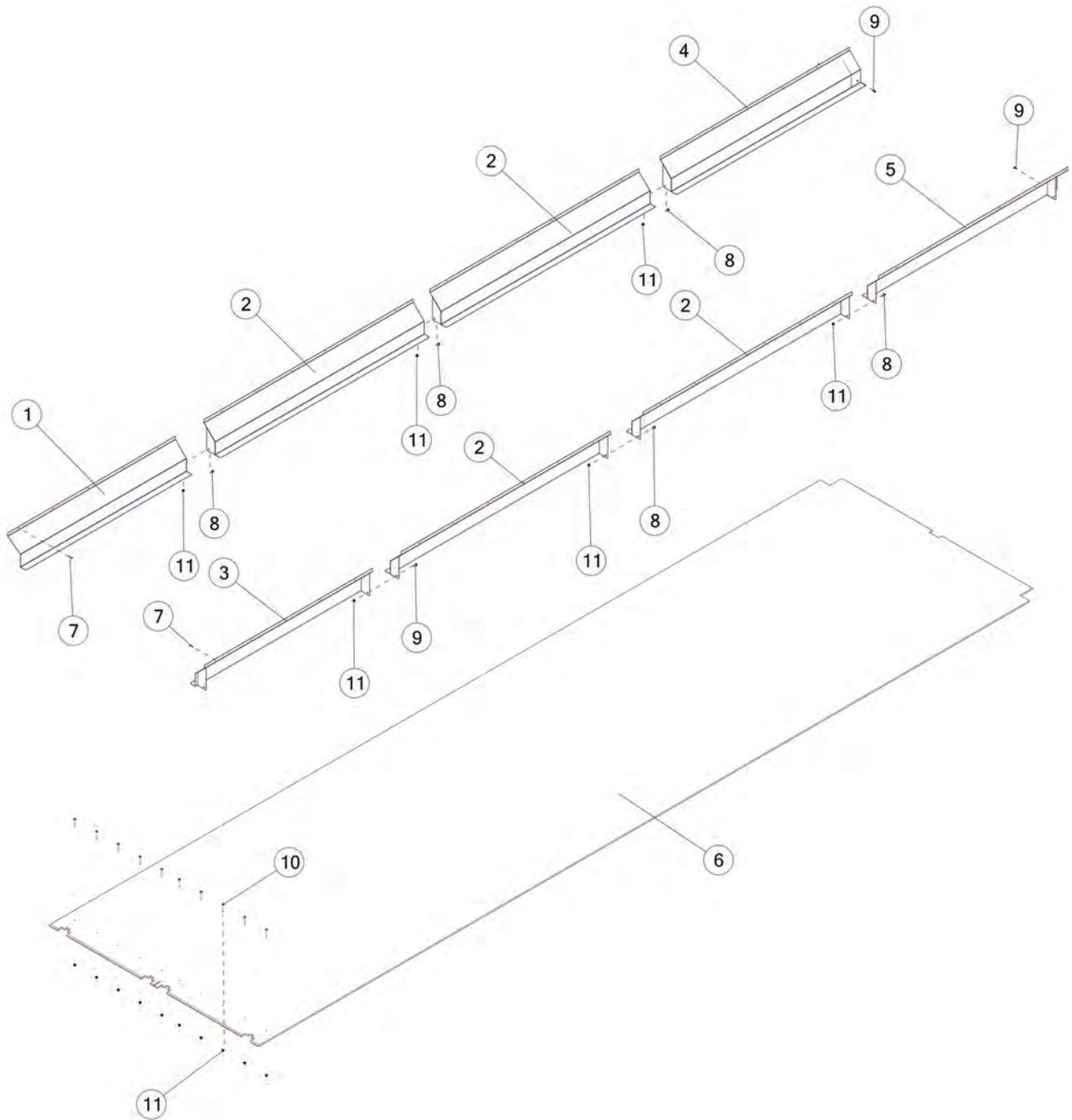


# FIGURE 5 FRONT SHIELDS AND COMPONENTS







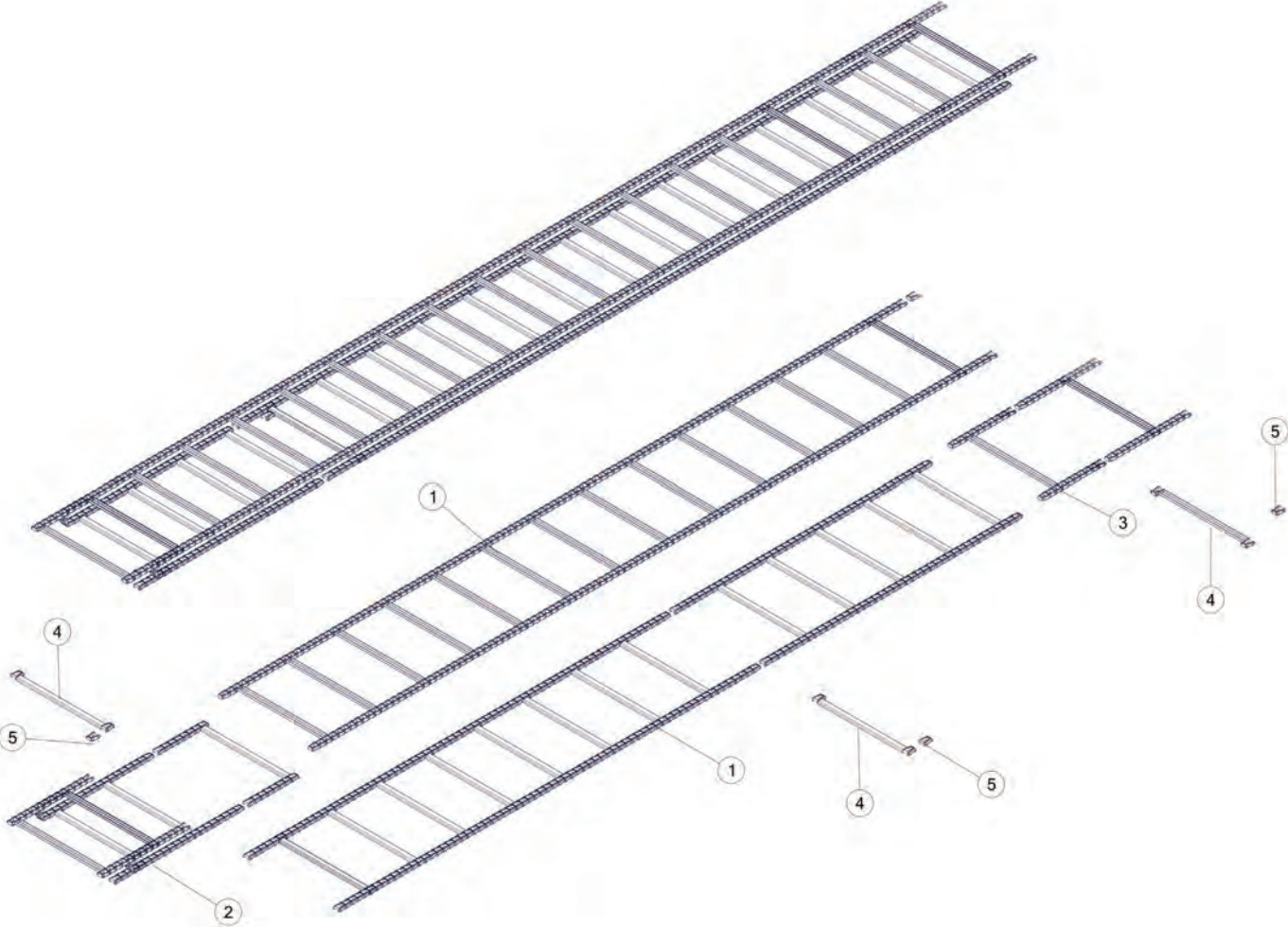






# FIGURE 7

## FLOOR CHAIN

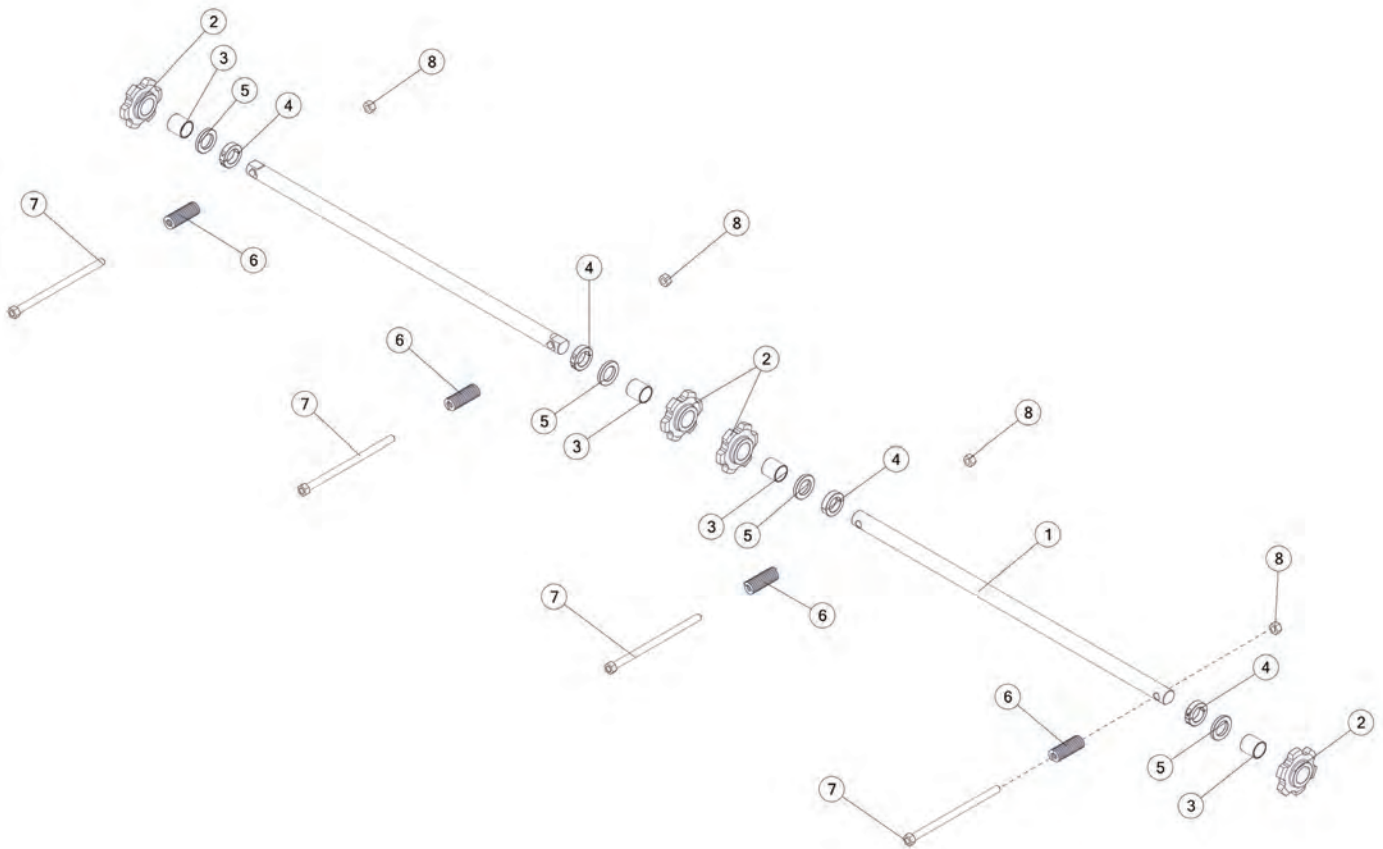






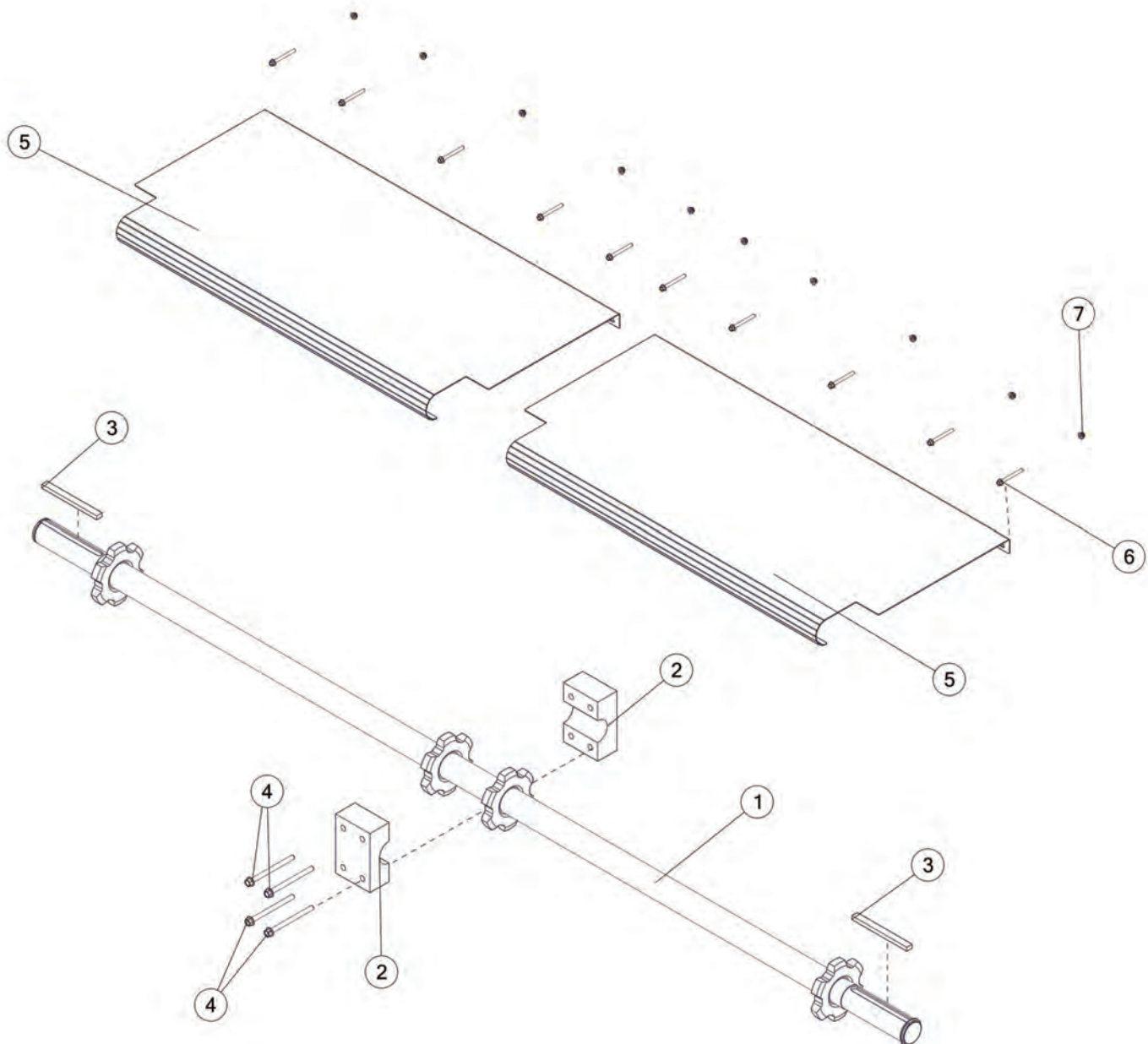
# FIGURE 8

## FRONT IDLER SHAFT AND COMPONENTS





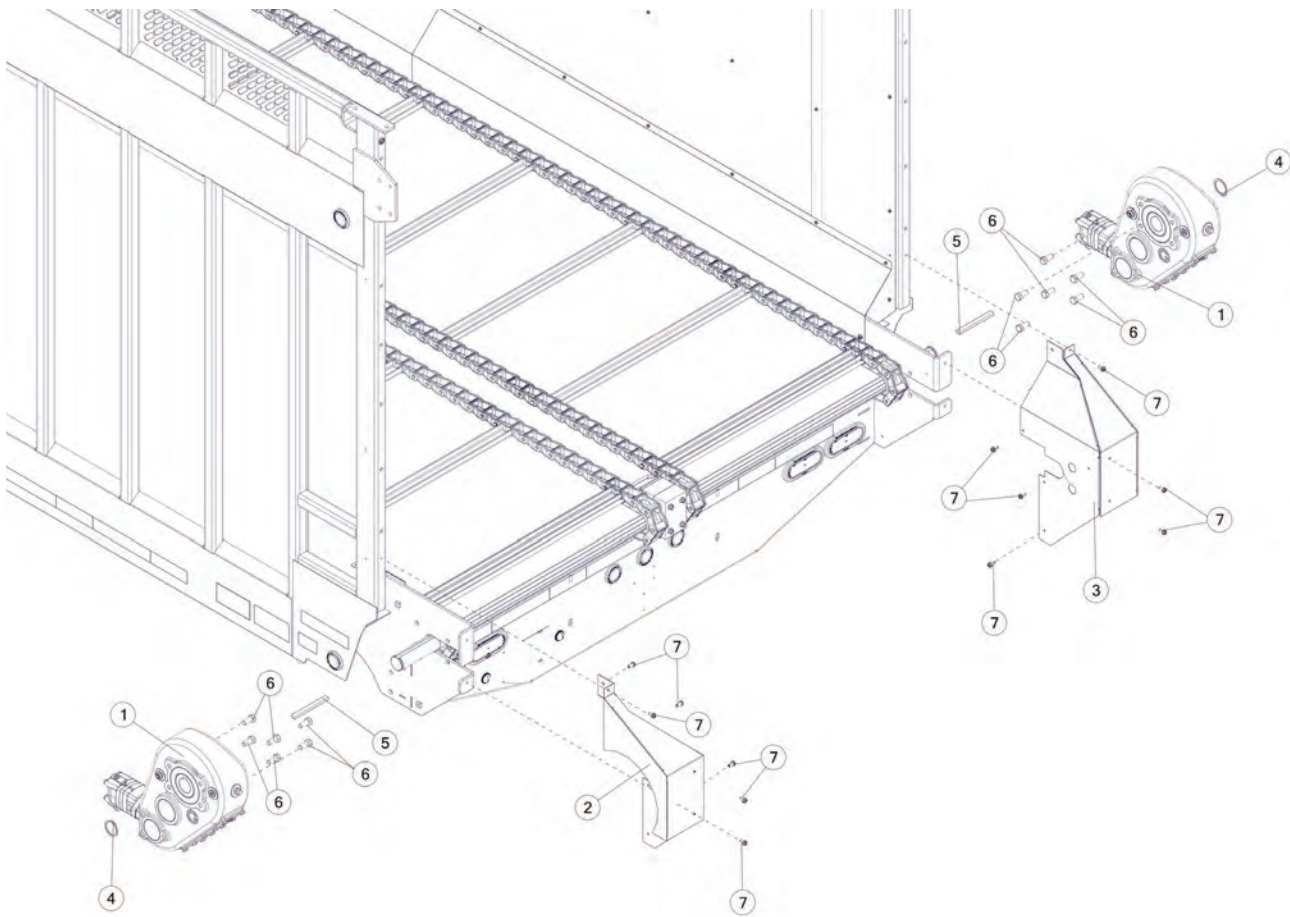






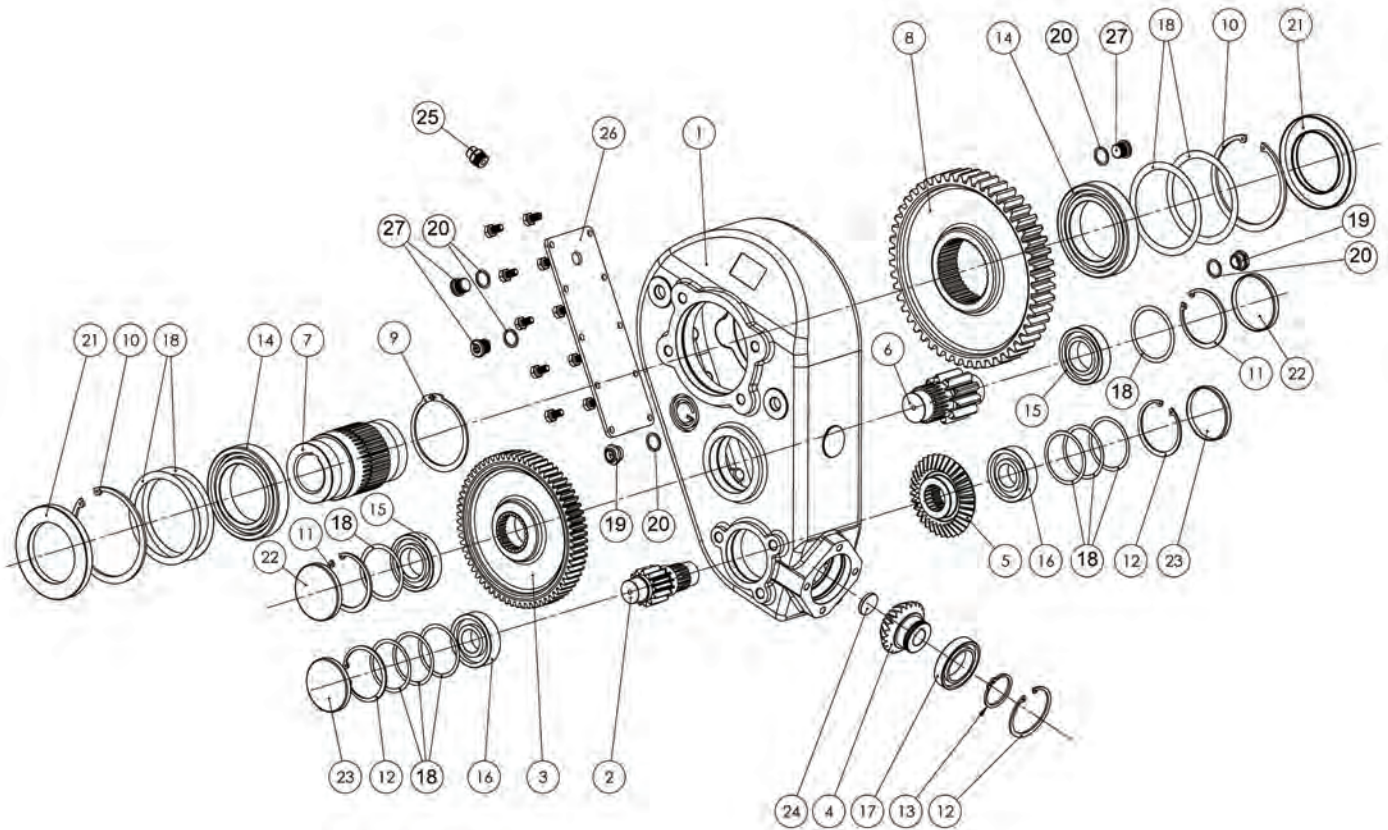


# FIGURE 10 GEARBOX AND COMPONENTS







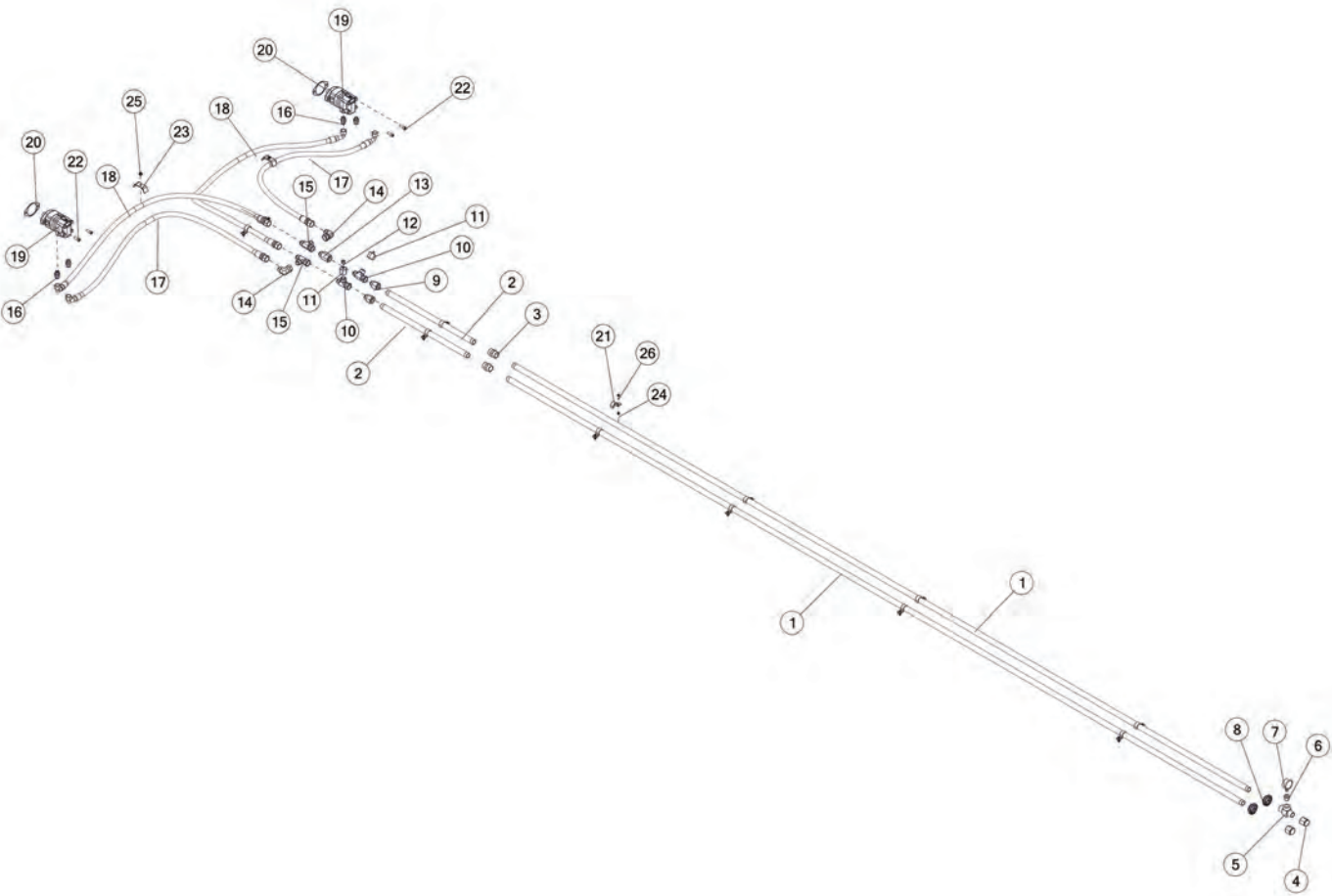






# FIGURE 12

## HYDRAULICS

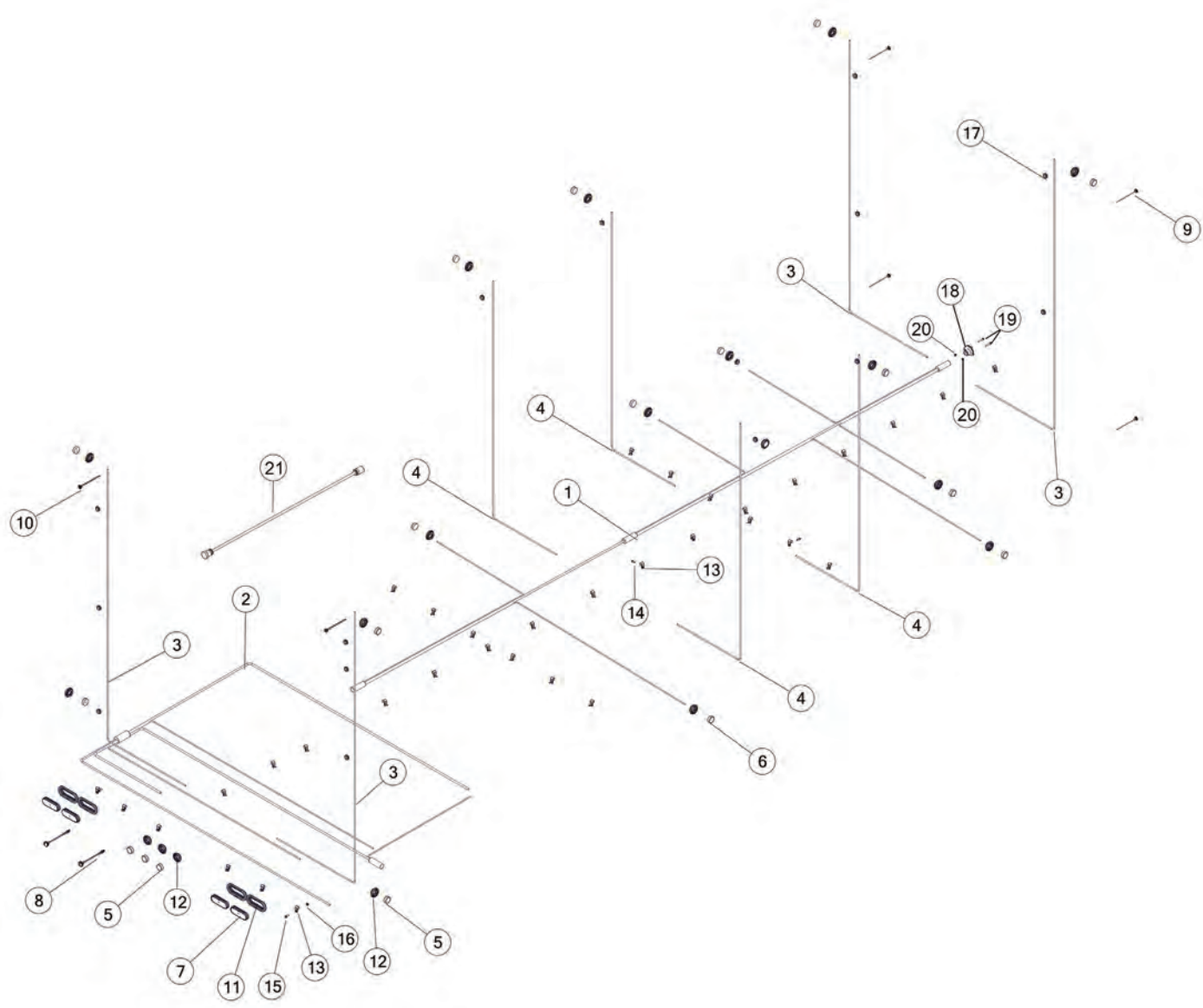






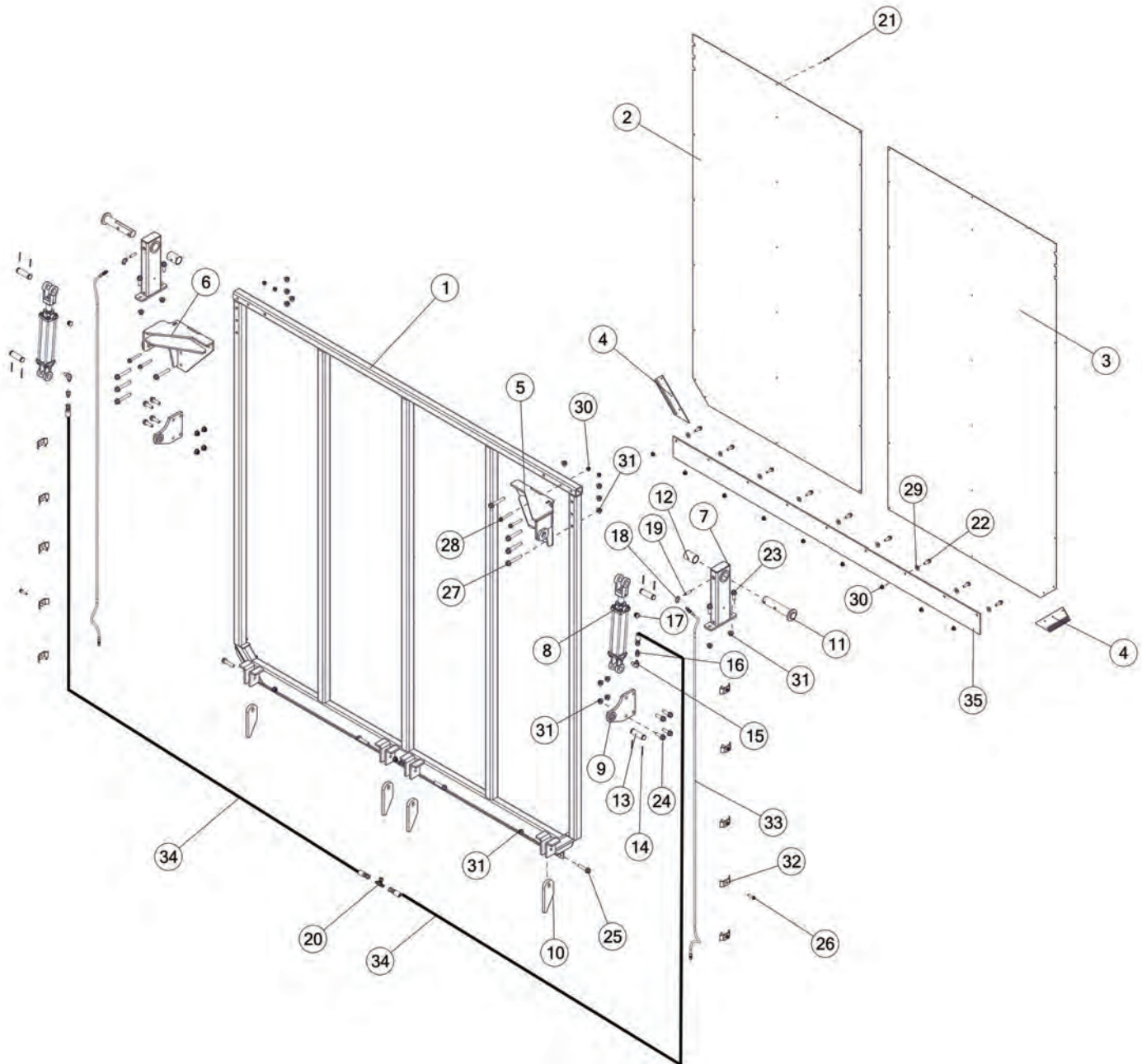
# FIGURE 13

## LIGHTS











# FIGURE 14

## OPTIONAL BDOTPD

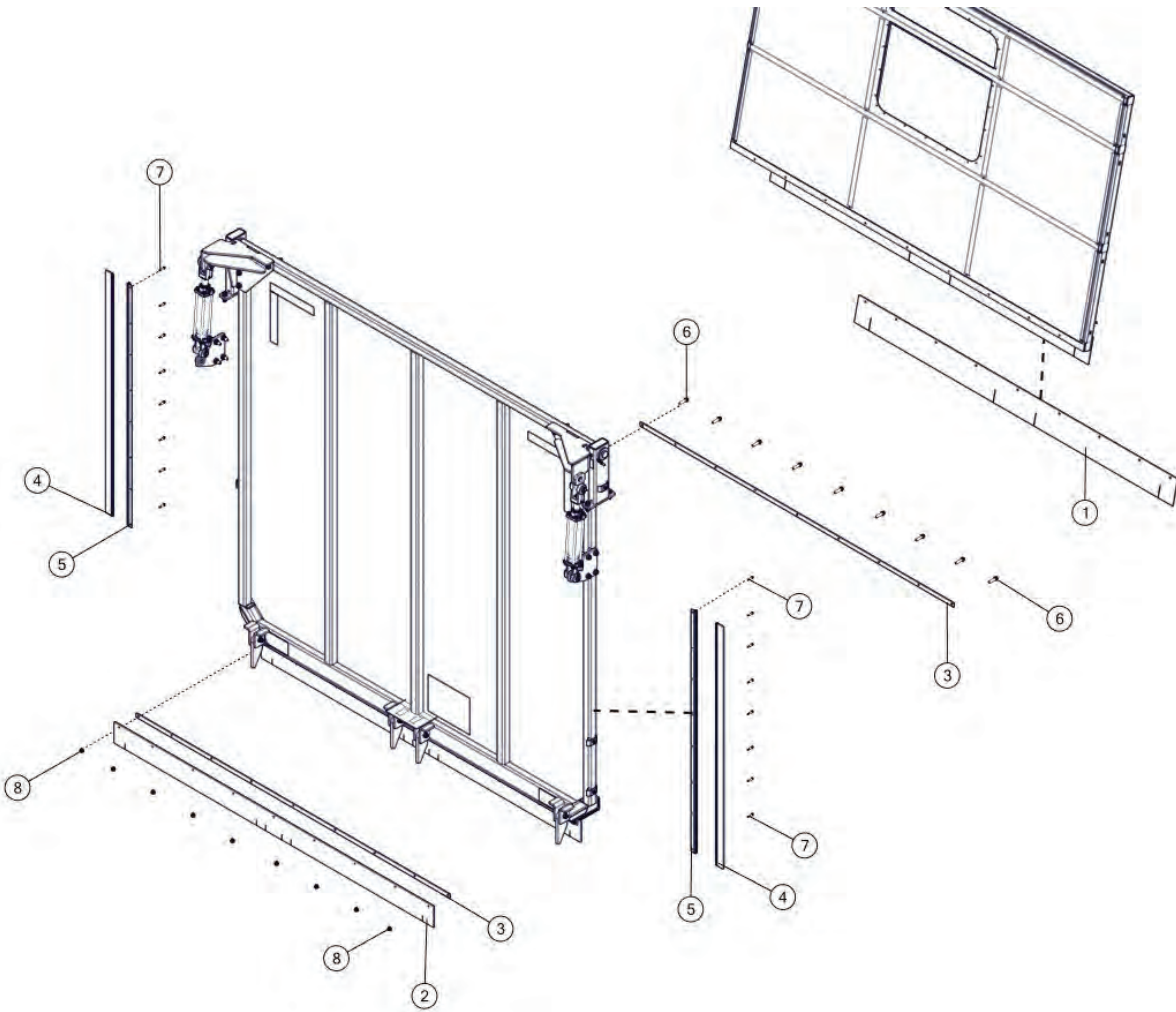
### TOP PIVOT REAR DOOR W/HYD GATE DELAY

| REF # | PART #    | DESCRIPTION                                    | QTY |
|-------|-----------|--|-----|
| 1     | 96998     | DOOR   | 1   |
| 2     | 97006     | DOOR SKIN LH                                   | 1   |
| 3     | 97008     | DOOR SKIN RH                                   | 1   |
| 4     | 88283     | CORNER DOOR SEAL                               | 2   |
| 5     | 89945     | UPPER GATE DELAY MOUNT, RH                     | 1   |
| 6     | 89265     | UPPER GATE DELAY MOUNT, LH                     | 1   |
| 7     | 94542     | STAKE TOP REAR ASSEMBLY                        | 2   |
| 8     | 55999     | CYLINDER, 2 x 8 3000 PSI                       | 2   |
| *     | 56187     | SEAL KIT                                       | 2   |
| 9     | 89267     | LOWER GATE DELAY MOUNT                         | 2   |
| 10    | BBS67     | LATCH  | 4   |
| 11    | BBS64     | DOOR HINGE PIN                                 | 2   |
| 12    | BFR625    | BRONZE BUSHING, TANDEM PIN                     | 2   |
| 13    | T143      | HYDRAULIC CYLINDER PIN                         | 4   |
| 14    | YPCT05010 | COTTER PIN 5/32 X 1-1/2                        | 8   |
| 15    | CHM164    | FITTING 90, 6JIC X 3/8NPT                      | 2   |
| 16    | 58144     | IN-LINE CONNECTOR, ORIFICE, 6-XHX7-S .062      | 2   |
| 17    | BFR70     | VENT PLUG, 3/8                                 | 2   |
| 18    | 90684     | FITTING 90, 1/8NPT X 1/8NPT                    | 2   |
| 19    | 90681     | PIPE NIPPLE                                    | 2   |
| 20    | 58137     | FITTING T, 6JIC X 6JIC X 6JIC                  | 1   |
| 21    | YSDR66007 | SCR SELF DRILL, HEX WASH HD, #12-14 X 1-1/4 ZC | 42  |
| 22    | YBFB12125 | BOLT FLANGE, 3/8 X 1-1/4 G5                    | 9   |
| 23    | YBFB16150 | BOLT FLANGE, 1/2 X 1-1/2 G5                    | 4   |
| 24    | YBFB16175 | BOLT FLANGE, 1/2 X 1-3/4 G5                    | 8   |
| 25    | YBFB16250 | BOLT FLANGE, 1/2 X 2-1/2 G5                    | 4   |
| 26    | YSHW10020 | THREAD CUTTING SCREW, 5/16 X 1-1/2             | 10  |
| 27    | YBFB16350 | BOLT FLANGE, 1/2 X 3-1/2 G5                    | 8   |
| 28    | YBFB12300 | BOLT FLANGE, 3/8 X 3 G5                        | 4   |
| 29    | YWFL12005 | WASHER FLAT, 3/8 USS                           | 9   |
| 30    | YNFG12006 | NUT FLANGE, 3/8 GF                             | 13  |
| 31    | YNFG16003 | NUT FLANGE, 1/2 GF                             | 24  |
| 32    | 23N67     | FRONT HOSE BRACKET                             | 10  |
| 33    | 90729     | HYDRAULIC HOSE, 2, 88                          | 2   |
| 34    | 78689     | HYDRAULIC HOSE, 6, 230                         | 2   |
| 35    | 94722     | DOOR RUBBER, REAR                              | 1   |



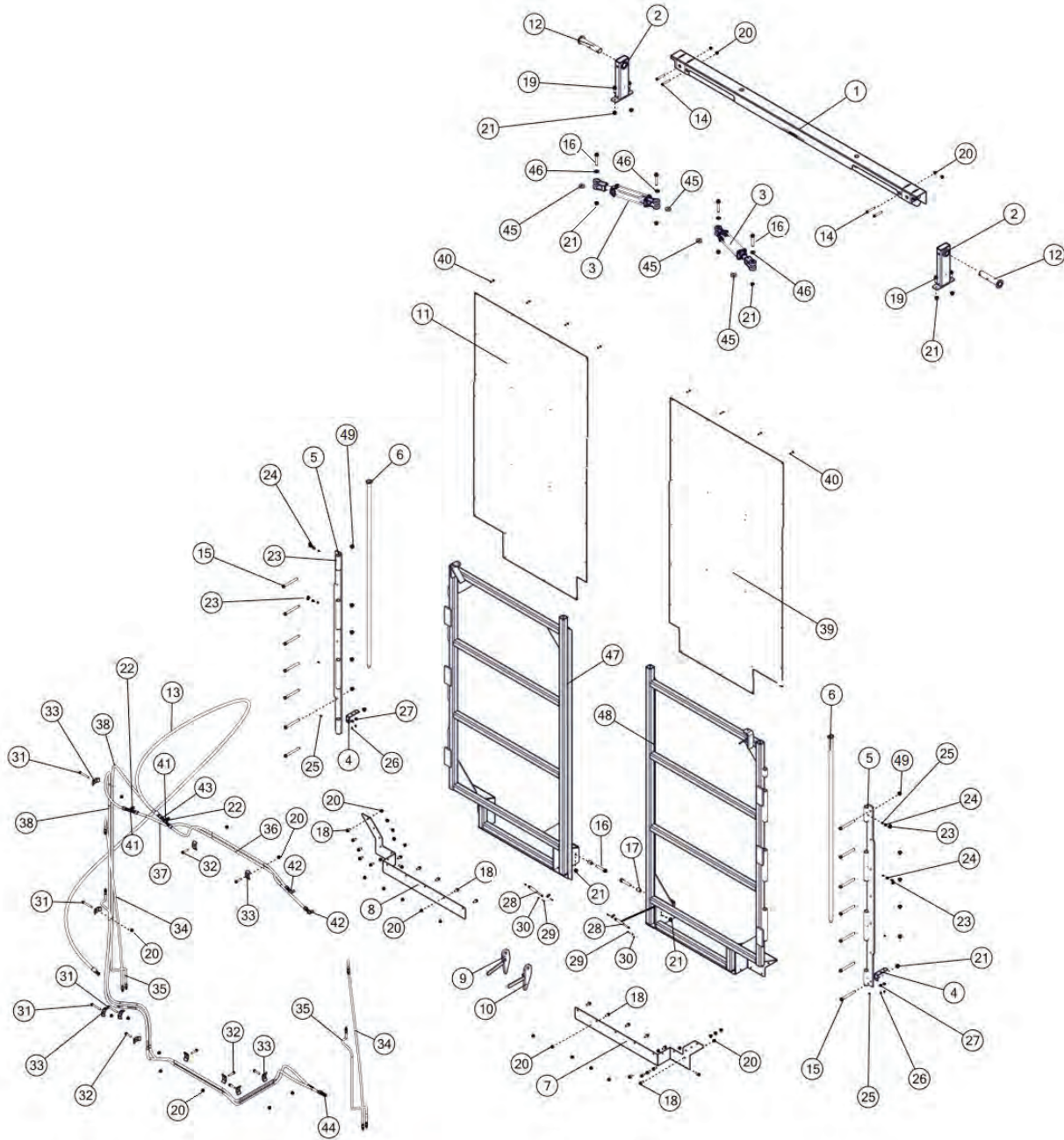


**FIGURE 15**  
OPTIONAL FBOTPDSK  
SEAL KIT FOR TOP PIVOT DOOR













# FIGURE 16

## OPTIONAL BDOSBD - SWINGING BARN DOOR WHYD CLOSURE CHASSIS MOUNT

| REF # | PART #    | DESCRIPTION                               | QTY |
|-------|-----------|---|-----|
| 1     | 80317     | TOP CHANNEL                               | 1   |
| 2     | BBS20     | STAKE TOP REAR ASSEMBLY                   | 2   |
| 3     | 85176     | CYLINDER, 2 X 8 3000 PSI                  | 2   |
| 4     | 94849     | PLATE, GREASE LINE                        | 2   |
| 5     | 82438     | HINGE                                     | 2   |
| 6     | 82449     | DOOR HINGE PIN                            | 2   |
| 7     | 0227RU01  | DOOR SEAL BOTTOM                          | 1   |
| 8     | 94790     | DOOR SEAL BOTTOM                          | 1   |
| 9     | 0227WE07  | LATCH, LH                                 | 1   |
| 10    | 0227WE08  | LATCH, RH                                 | 1   |
| 11    | 94794     | PANEL, STAINLESS BARN DOOR, LH            | 1   |
| 12    | BBS64     | DOOR HINGE PIN                            | 2   |
| 13    | 78689     | HYDRAULIC HOSE, 6, 230                    | 1   |
| 14    | YBHH12120 | BOLT HEX, 3/8 X 3 G5                      | 4   |
| 15    | YBHH16160 | BOLT HEX, 1/2-13 X 5-1/2 G5               | 14  |
| 16    | YBFB16350 | BOLT FLANGE, 1/2 X 3-1/2 G5               | 6   |
| 17    | 0227PI02  | LATCH SPACER                              | 2   |
| 18    | YBFB12003 | BOLT FLANGE, 3/8 X 1 G5                   | 22  |
| 19    | YBFB16150 | BOLT FLANGE, 1/2 X 1-1/2 G5               | 4   |
| 20    | YNFG12006 | NUT FLANGE, 3/8 GF                        | 41  |
| 21    | YNFG16005 | NUT FLANGE, 1/2-13 LKTL G ZC              | 22  |
| 22    | 58124     | FITTING STRAIGHT, 04JIC, 06NPT            | 2   |
| 23    | 89726     | FITTING 90, 1/8NPT X 1/8NPSM              | 4   |
| 24    | TS323     | FITTING STRAIGHT, 1/4-28, 1/8-27NPT       | 4   |
| 25    | MS26      | STRAIGHT ZERK, 1/4-28                     | 8   |
| 26    | G89       | STRAIGHT ZERK, 1/4-28                     | 4   |
| 27    | YNJM04005 | NUT, JAM, 1/8 A                           | 4   |
| 28    | SD190     | GAS STRUT                                 | 2   |
| 29    | 1135      | SCREW MACHINE, PHILLIPS HEAD, #8-32 X 3/4 | 4   |
| 30    | YNHX62005 | NUT HEX, MACHINE, #8-32 NA ZC             | 4   |
| 31    | YBFB10350 | BOLT FLANGE, 5/16 X 3-1/2 G8              | 4   |
| 32    | YBFB10200 | BOLT FLANGE, 5/16 X 2 G5                  | 7   |
| 33    | 23N67     | FRONT HOSE BRACKET                        | 11  |
| 34    | 88909     | GREASE HOSE, 3, 66                        | 2   |
| 35    | 89739     | GREASE HOSE, 3, 45                        | 2   |
| 36    | 85174     | HYDRAULIC HOSE, 4, 58                     | 1   |
| 37    | 85189     | HYDRAULIC HOSE, 4, 80                     | 1   |
| 38    | 85154     | HYDRAULIC HOSE, 4, 224                    | 2   |
| 39    | 94802     | PANEL, STAINLESS BARN DOOR, RH            | 1   |

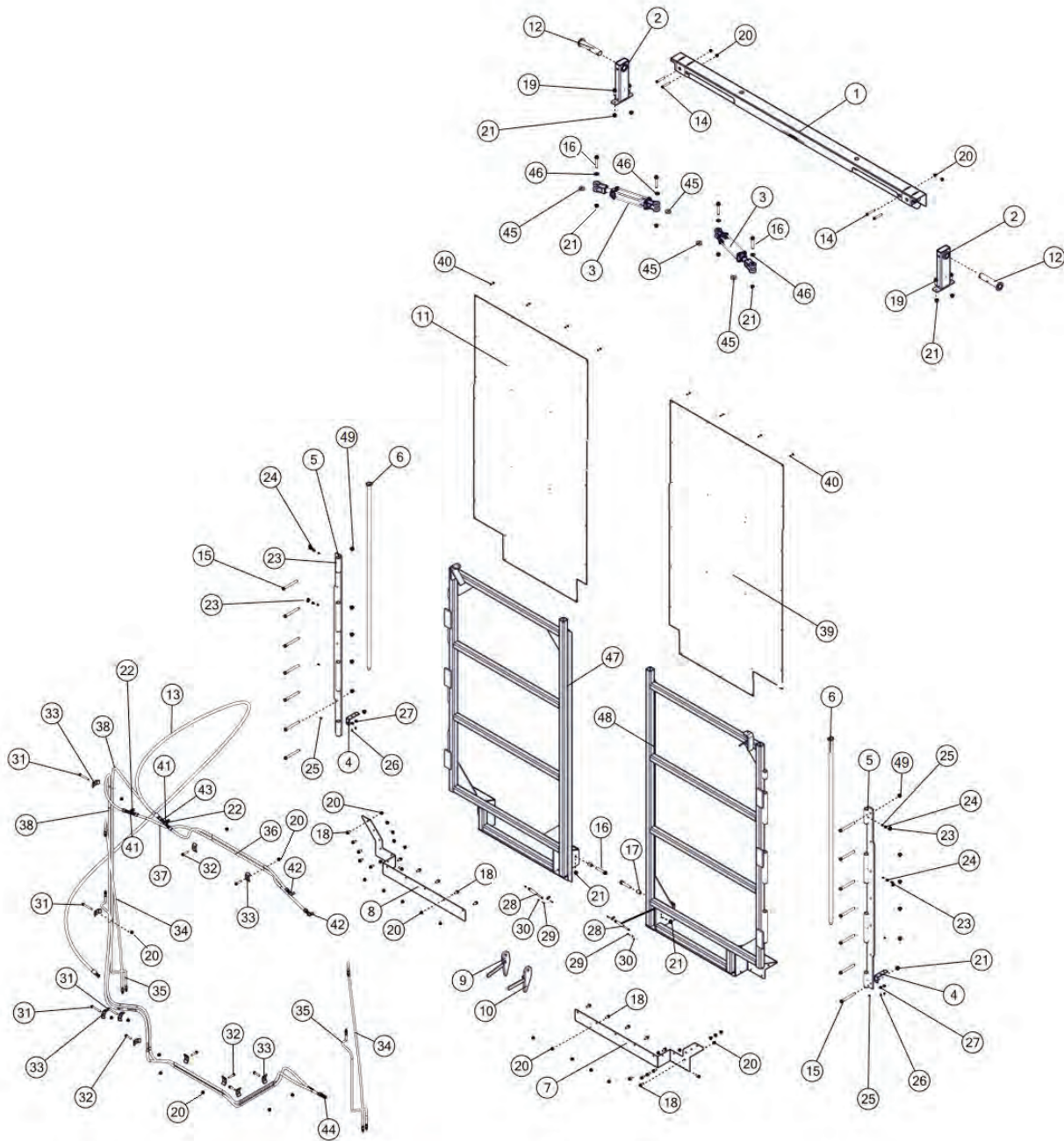




# FIGURE 16

## OPTIONAL BDOSBD - SWINGING BARN DOOR

### W/HYD CLOSURE CHASSIS MOUNT



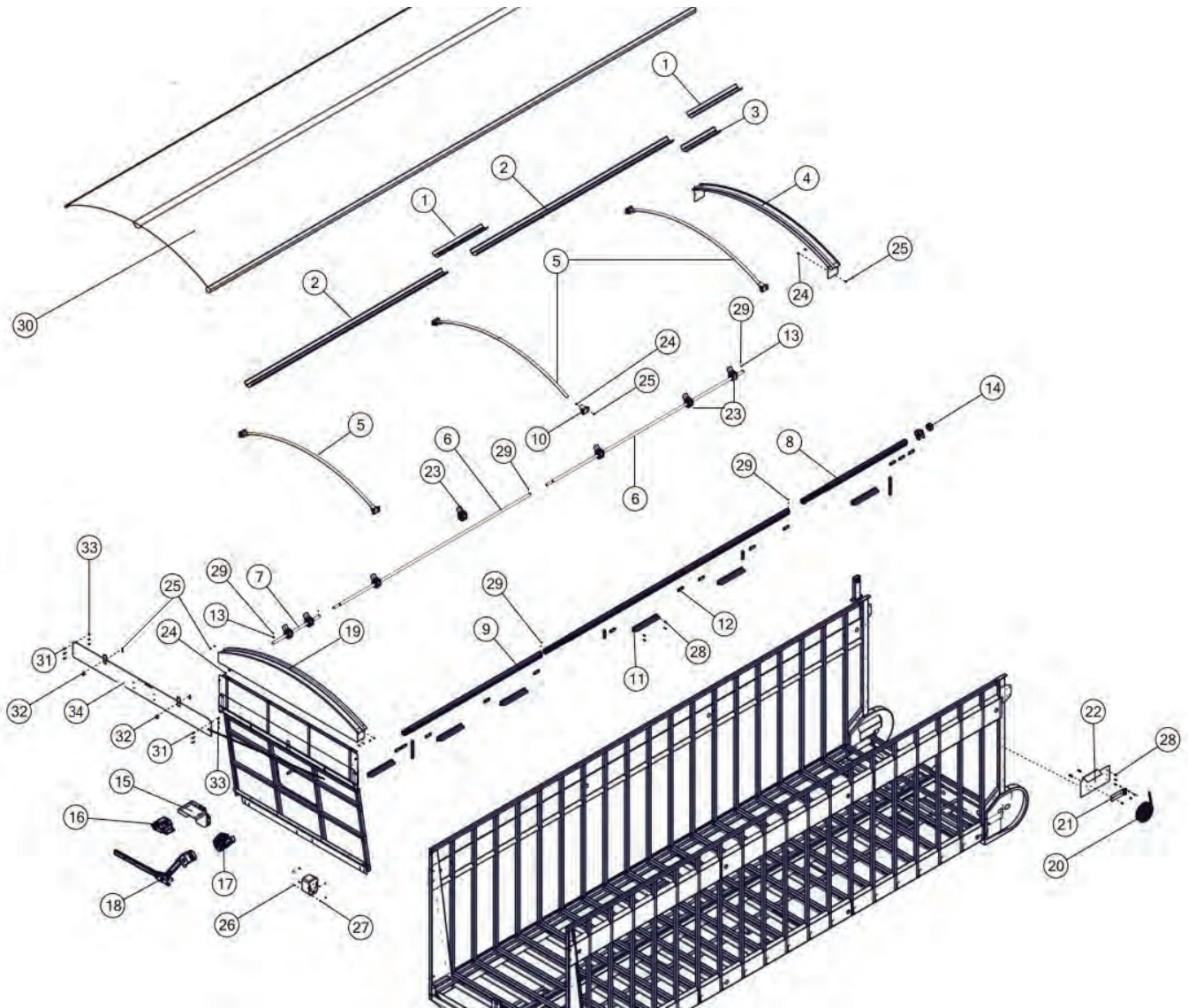




# FIGURE 17

## OPTIONAL BDOESST30

### ELECTRIC DRIVE SIDE-TO-SIDE TARP







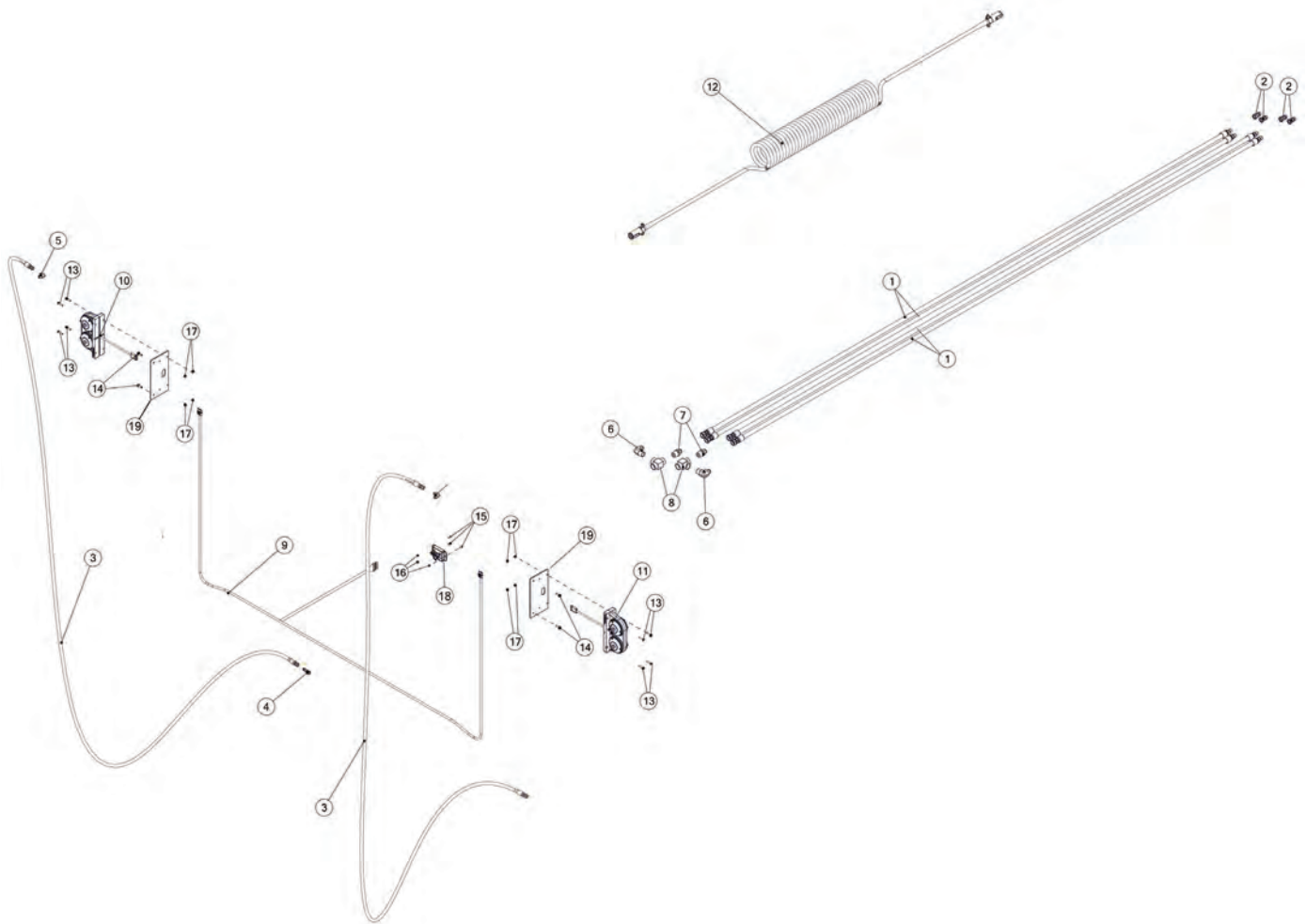
# FIGURE 17

## OPTIONAL BDOESST30

### ELECTRIC DRIVE SIDE-TO-SIDE TARP

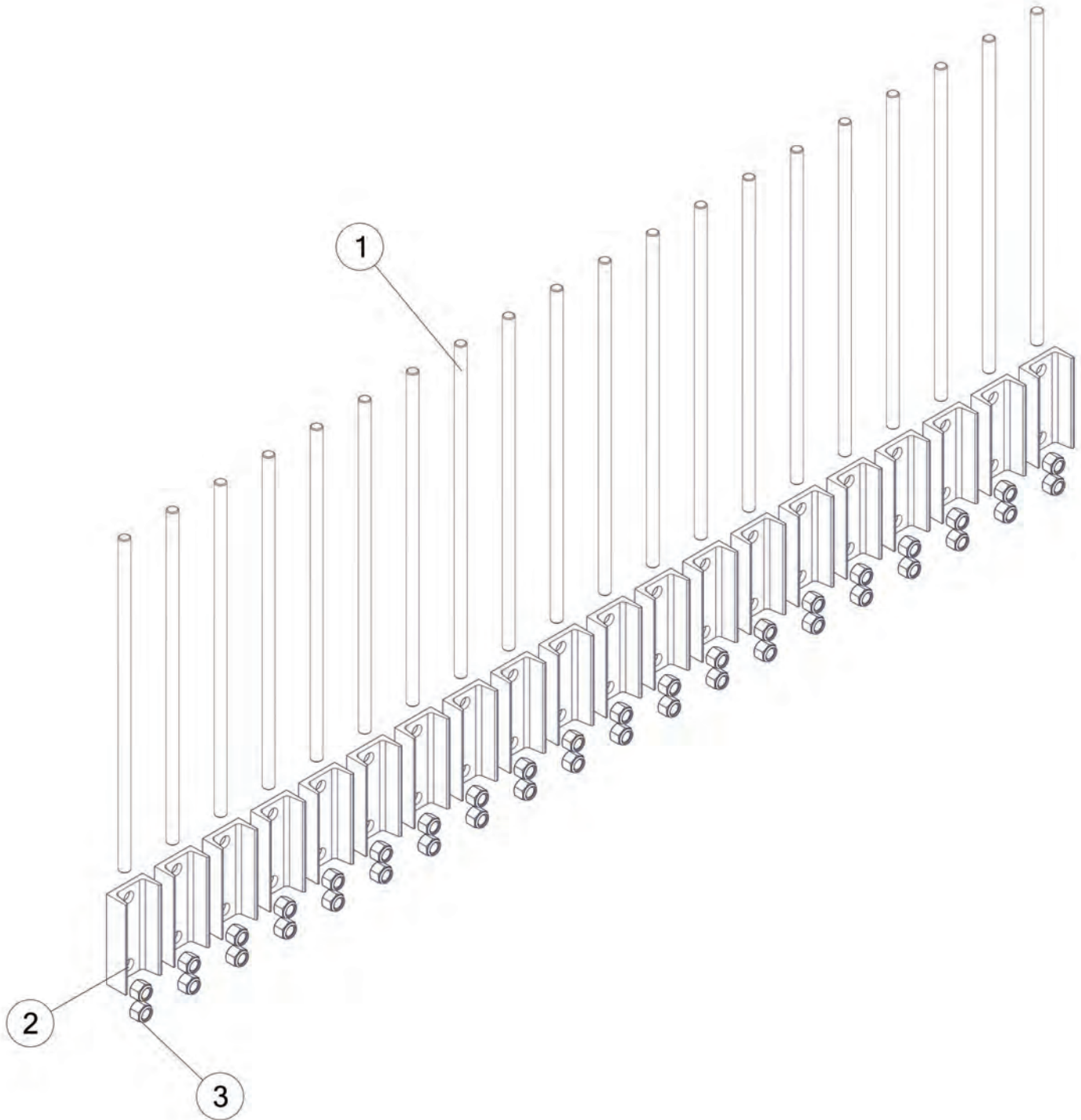
| REF # | PART #    | DESCRIPTION                                  | QTY |
|-------|-----------|--|-----|
| 1     | 92882     | RIDGE POLE SPLICE                            | 2   |
| 2     | 92818     | RIDGE POLE                                   | 2   |
| 3     | 92821     | RIDGE POLE, 72                               | 1   |
| 4     | 93117     | END CAP ARCH                                 | 1   |
| 5     | 93115     | BOW  | 3   |
| 6     | 92823     | TARP POLE                                    | 3   |
| 7     | 93795     | TUBE, 88                                     | 1   |
| 8     | 92807     | AXLE, 3 MIDDLE                               | 2   |
| 9     | 93778     | AXLE, FRONT                                  | 1   |
| 10    | 93408     | BRACKET, BOW                                 | 6   |
| 11    | 92813     | LOCKING LIP                                  | 6   |
| 12    | 92812     | TARP CLIP                                    | 13  |
| 13    | YWFL08005 | WASHER FLAT, 1/4                             | 2   |
| 14    | 92814     | CAP  | 1   |
| 15    | 92829     | BRACKET                                      | 1   |
| 16    | 92828     | PIVOT ASSEMBLY                               | 1   |
| 17    | 92836     | TARP MOTOR                                   | 1   |
| 18    | 92833     | PIVOT ARM ASSEMBLY                           | 1   |
| 19    | 92792     | END CAP                                      | 1   |
| 20    | 92797     | SPOOL, ROLL RITE                             | 1   |
| 21    | 92801     | BRACKET, MOUNTING SPOOL                      | 1   |
| 22    | 89901     | TARP SPRING BRACKET                          | 1   |
| 23    | 92811     | TARP STOP                                    | 7   |
| 24    | YBFB10001 | BOLT FLANGE, 5/16 X 1 G5                     | 24  |
| 25    | YNFG10005 | NUT FLANGE, 5/16 GF                          | 22  |
| 26    | YBFB08100 | BOLT FLANGE, 1/4 X 1 G5                      | 4   |
| 27    | YNFG08010 | NUT FLANGE, 1/4 GF                           | 4   |
| 28    | YSWH10005 | SCREW, HEX WASH HD UNSLOTTED 5/16-18 X 1-1/4 | 32  |
| 29    | GM234     | RIVET, 3/16 DIA, .376 - .50 GRIP             | 6   |
| 30    | 93796     | TARP, 30 FT                                  | 1   |
| 31    | YBFB12125 | BOLT FLANGE, 3/8 X 1-1/4 G5                  | 8   |
| 32    | YSWH10005 | SCRW, HEX WSHR HD UNSLOTTED, 5/16-18 X 1-1/4 | 4   |
| 33    | YNFG12006 | NUT FLANGE, 3/8 GF                           | 6   |
| 34    | 93433     | PLATE, TARP MOUNT                            | 1   |
| *     | 92827     | POWER ARM COMPLETE, ROLL RITE                | 1   |









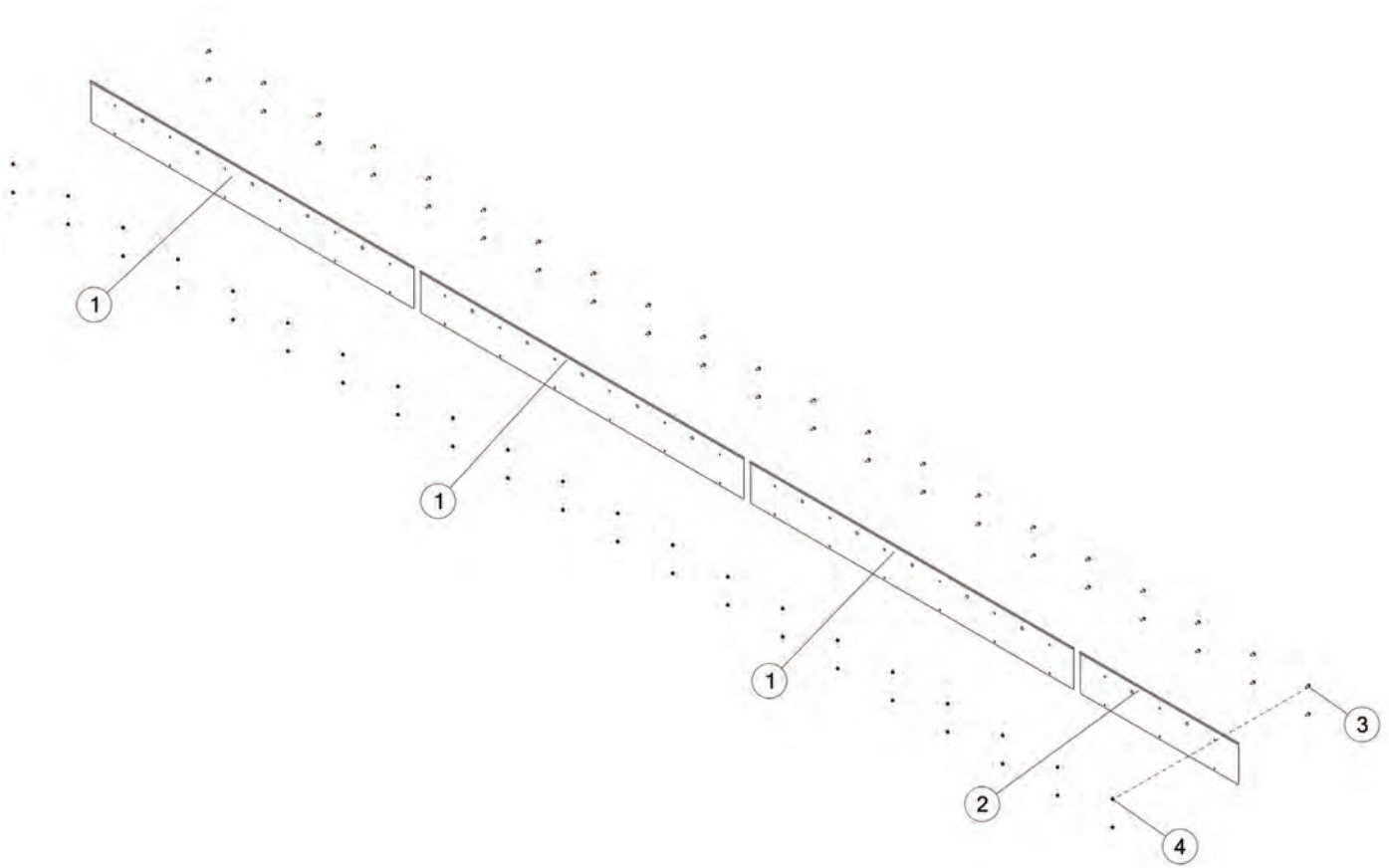






# FIGURE 20

OPTIONAL BDOSF30  
SCREEN FILLER KIT 30FT BIG DOG





# FIGURE 20

## OPTIONAL BDOSF30

### SCREEN FILLER KIT 30FT BIG DOG

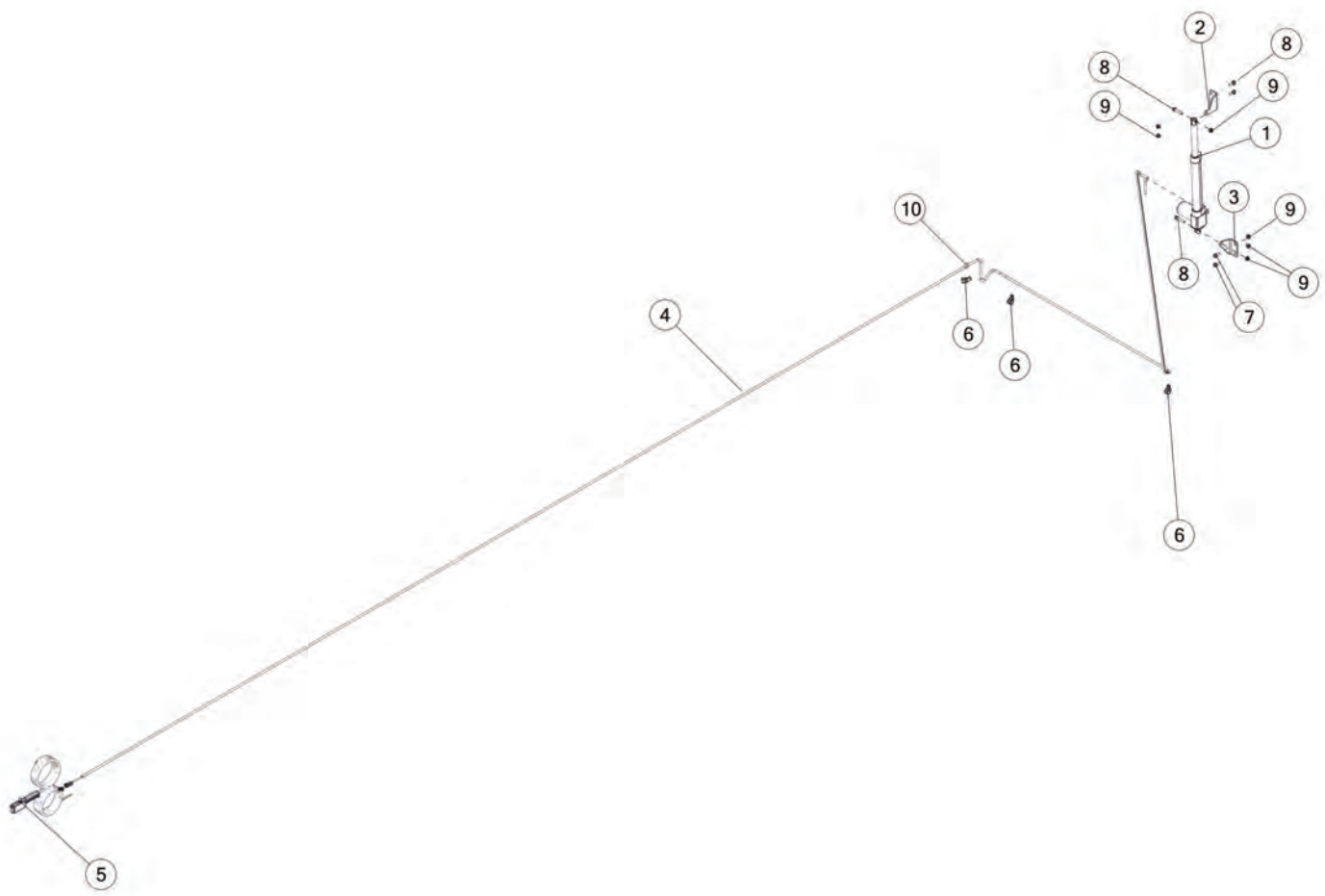
| REF # | PART #    | DESCRIPTION                | QTY |
|-------|-----------|----------------------------|-----|
| 1     | 82464     | SCREEN COVER               | 3   |
| 2     | 82903     | SCREEN COVER, REAR         | 1   |
| 3     | YBFB10075 | BOLT FLANGE, 5/16 X 3/4 G5 | 42  |
| 4     | YNFG10005 | NUT FLANGE, 5/16 GF        | 42  |

\* NOTE: TWO KITS REQUIRED TO DO COMPLETE BOX





**FIGURE 21**  
OPTIONAL TDOEAC  
ELEC ACTUATOR CONTROL-FLIP DOWN FRONT





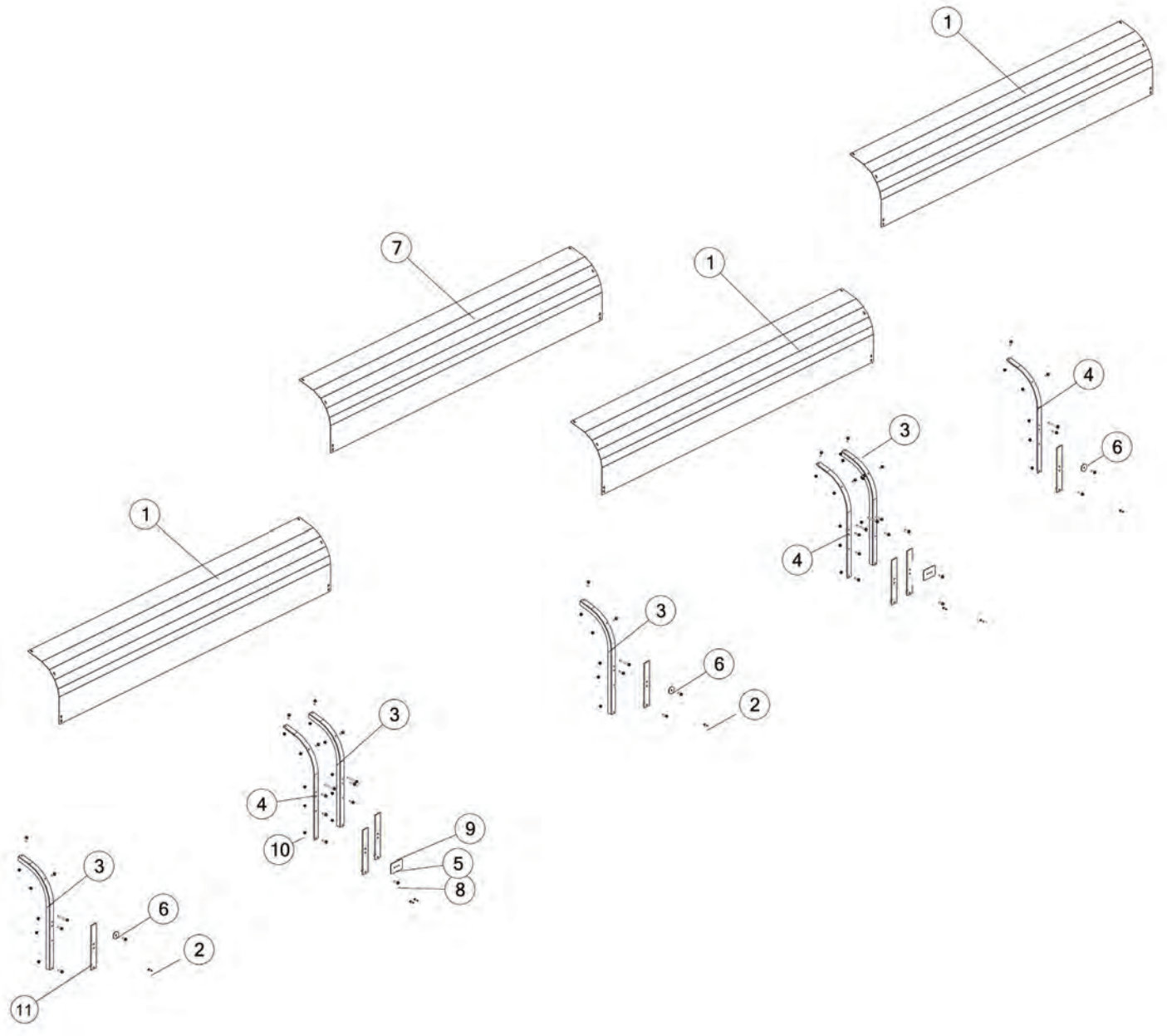




# FIGURE 22

## OPTIONAL FBRH30

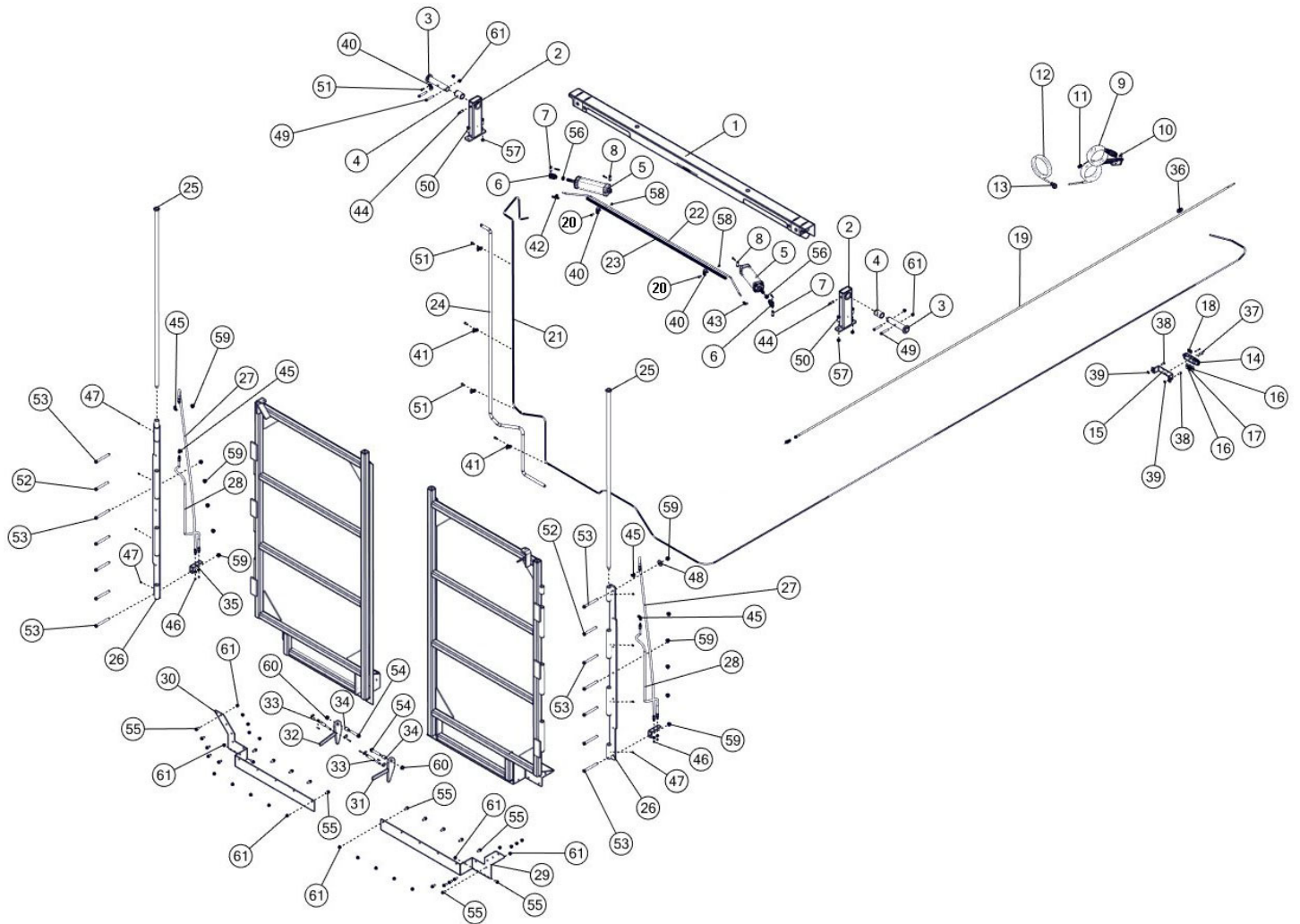
### ROOF HOOD 30FT BOXES







# FIGURE 23 OPTIONAL TDOSBD - TRUCK MOUNT SWINGING BARN DOORS W/AIR CLOSURE





# FIGURE 23

## OPTIONAL TDOSBD - TRUCK MOUNT SWINGING BARN DOORS W/AIR CLOSURE

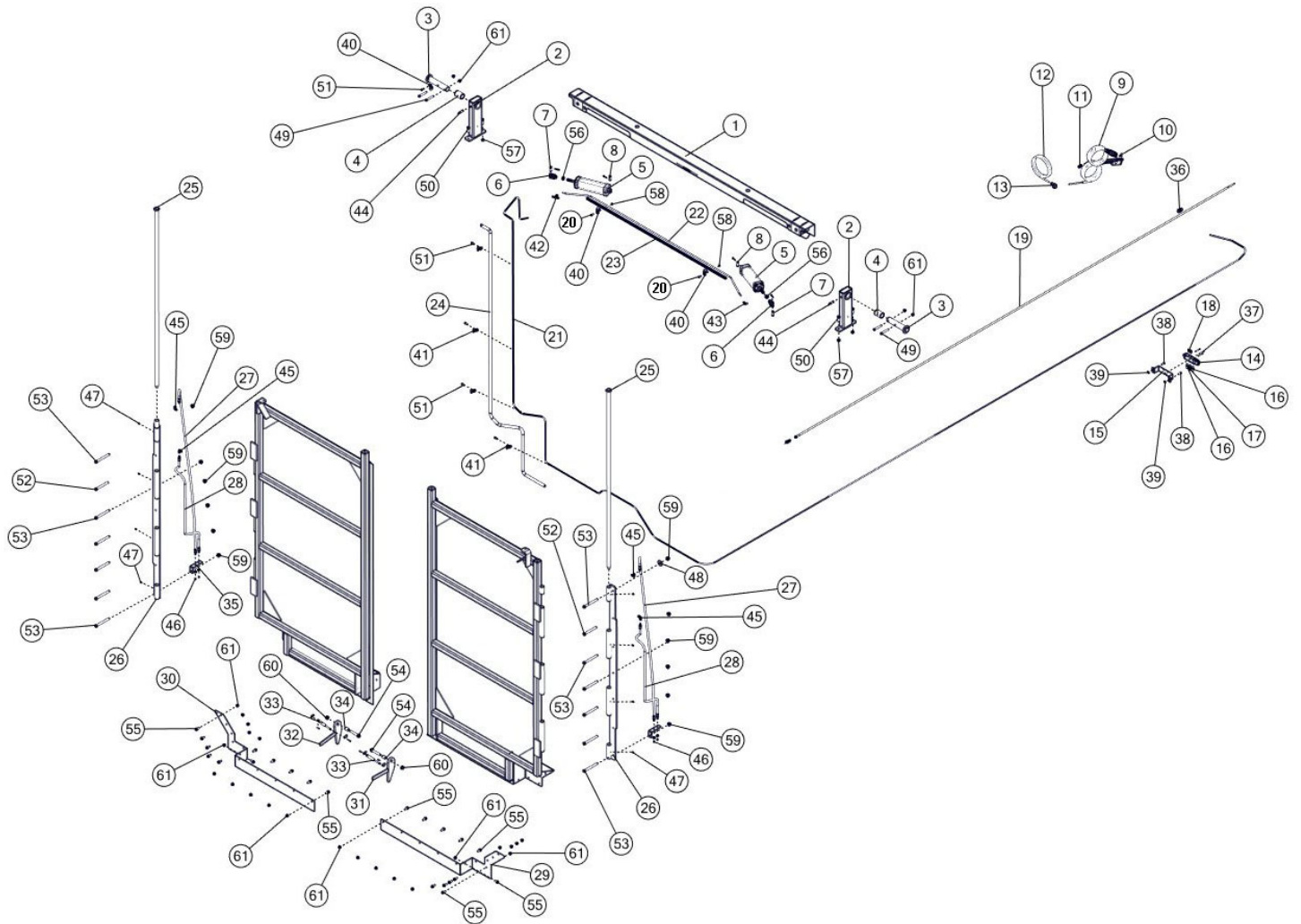
| REF # | PART #    | DESCRIPTION                    | QTY |
|-------|-----------|--------------------------------|-----|
| 1     | 85203     | TOP CHANNEL, AIR               | 1   |
| 2     | BBS21     | STAKE TOP REAR                 | 2   |
| 3     | BBS64     | DOOR HINGE PIN                 | 2   |
| 4     | BBS39     | BUSHING                        | 2   |
| 5     | GD49      | AIR CYLINDER, 2-1/2 X 8        | 2   |
| 6     | 8542      | CLEVIS, .625-18                | 2   |
| 7     | 8544      | CLEVIS PIN, 1/2 DIA X 1-1/2    | 2   |
| 8     | 8543      | CLEVIS PIN, 1/2 DIA X 1-3/8    | 2   |
| 9     | 63361     | HAND CONTROLLER, (ON)-OFF      | 1   |
| 10    | 16SV235   | SWITCH BOOTS                   | 1   |
| 11    | 58790     | DEUTSCH 2 PIN PLUG HOUSING     | 1   |
| 12    | 1093      | DIN CORD                       | 1   |
| 13    | LW285     | DIN CONNECTOR SMALL            | 1   |
| 14    | 8031      | NORGREN VALVE 4 WAY            | 1   |
| 15    | 54510     | AIR VALVE MOUNTING BRACKET     | 1   |
| 16    | GD7       | VENT PLUG, CONE SHAPED, 1/4    | 2   |
| 17    | 58651     | DOT FITTING, 1/4 to 3/8        | 1   |
| 18    | GD6       | MALE COUPLER, 1/4              | 2   |
| 19    | 58521     | TRACTOR POWER SUPPLY CABLE     | 1   |
| 20    | YBHH08010 | BOLT HEX, 1/4 X 1 G5           | 2   |
| 21    | 79792     | CYLINDER SUPPLY LINE 530 BLACK | 1   |
| 22    | 0227MS03  | CYLINDER TIE AIR LINE          | 1   |
| 23    | 0227MS02  | WIRE LOOM                      | 1   |
| 24    | 0227MS01  | AIR LINE SHIELD                | 1   |
| 25    | 82449     | DOOR HINGE PIN                 | 2   |
| 26    | 82438     | HINGE                          | 2   |
| 27    | 88909     | GREASE HOSE, 3, 66             | 2   |
| 28    | 89739     | GREASE HOSE, 3, 45             | 2   |
| 29    | 0227RU01  | DOOR SEAL BOTTOM               | 1   |
| 30    | 94790     | DOOR SEAL BOTTOM               | 1   |
| 31    | 0227WE08  | LATCH, RH                      | 1   |
| 32    | 0227WE07  | LATCH, LH                      | 1   |
| 33    | SD190     | GAS STRUT                      | 2   |
| 34    | 0227PI02  | LATCH SPACER                   | 2   |
| 35    | 94849     | PLATE, GREASE LINE             | 2   |
| 36    | GD23      | STRAIN RELIEF, CONNECTOR       | 1   |
| 37    | YSHS62005 | BOLT SOCKET, #8-32 X 1-3/4 BO  | 3   |
| 38    | YBHH08010 | BOLT HEX, 1/4-20 X 1 G5        | 4   |
| 39    | YWFL08005 | WASHER, FLAT, 1/4 USS          | 2   |





# FIGURE 23

## OPTIONAL TDOSBD - TRUCK MOUNT SWINGING BARN DOORS W/AIR CLOSURE











# FIGURE 24

## OPTIONAL TDOGHK

### GRAIN HOPPER KIT W/HYD FLOW CONTROL

| REF # | PART #    | DESCRIPTION                                   | QTY |
|-------|-----------|---|-----|
| 12    | 78671     | RED LED LIGHT, OVAL                           | 4   |
| 13    | BBS92     | MARKER LIGHT, RED ROUND                       | 3   |
| 14    | 97785     | HARNESS, GRAIN KIT                            | 1   |
| 15    | HGV162    | RUBBER WIRE HOLDER, 1/2                       | 2   |
| 16    | 02266G02  | FLOW CONTROL MOUNT                            | 1   |
| 17    | 97789     | SHAFT, GRAIN HOPPER DOOR                      | 1   |
| 18    | 12N36     | BRG, PILLOW BLOCK 1.25in                      | 2   |
| 19    | 97429     | SHAFT   | 1   |
| 20    | 95452     | CRANK, GRAIN HOPPER                           | 1   |
| 21    | 96614     | U-JOINT                                       | 1   |
| 22    | S135      | SQUARE KEY, 1/4 X 1-1/4                       | 2   |
| 23    | YSKP12025 | SET SCREW, SOCKET, KNURL CUP PT, 3/8-16 X 3/8 | 2   |
| 24    | CHM286    | UBE CLAMP CUSHIONS, 1                         | 2   |
| 25    | DWM324    | LYNCH PIN                                     | 1   |
| 26    | DWM191    | SNAPPER PIN                                   | 2   |
| 27    | BBS51     | FLOW CONTROL                                  | 1   |
| 28    | BBS52     | FITTING, 90, 16JIC X 16ORB                    | 3   |
| 29    | CHM182    | FITTING, TEE, 16JIC X 16JIC X 16JIC           | 2   |
| 30    | 8021      | FITTING 90, 16 JIC, 16JIC                     | 2   |
| 31    | BBSTMS24  | HYD HOSE, 12 X 65 IN                          | 2   |
| 32    | 78661     | HYD HOSE, 12 X 96.5 IN                        | 1   |
| 33    | BBSTMS26  | HYD HOSE, 12 X 26 IN                          | 1   |
| 34    | YBFB16550 | BOLT FLG, 1/2 X 5-1/2 G5                      | 10  |
| 35    | YBFB16400 | BOLT FLG, 1/2 X 4 G5                          | 2   |
| 36    | YBFB08100 | BOLT FLG, 1/4 X 1 G5                          | 37  |
| 37    | YBFB12225 | BOLT FLG, 3/8 X 2-1/4 G5                      | 1   |
| 38    | YBFB08200 | BOLT FLG, 1/4 X 2 G5                          | 4   |
| 39    | YBFB12003 | BOLT FLG, 3/8 X 1 G5                          | 6   |
| 40    | YBFB10400 | BOLT FLG, 5/16 X 4 G8                         | 2   |
| 41    | YBFB20250 | BOLT FLG, 5/8 X 2-1/2 G5                      | 10  |
| 42    | YWFL20010 | WASHER, FLAT, 5/8 SAE GR 8 YELLOW ZINC        | 20  |
| 43    | YWFL08005 | WASHER, FLAT, 1/4 USS                         | 10  |
| 44    | YNFG16003 | NUT FLG, 1/2 GF                               | 16  |
| 45    | YNFG08010 | NUT FLG, 1/4 GF                               | 41  |
| 46    | YNFG12006 | NUT FLG, 3/8 GF                               | 7   |
| 47    | YNFG10005 | NUT FLG, 5/16 GF                              | 2   |
| 48    | YNFG20005 | NUT, FLG, 5/8-11, LKTL, F, ZC                 | 20  |







H&S MFG. CO.  
products approved  
for the  
FEMA  
SEAL OF QUALITY



Manufactured by:  
H&S MANUFACTURING CO., INC.  
2608 S. HUME AVE. MARSHFIELD, WI 54449  
(715) 387-3414 | hsmfgco.com

