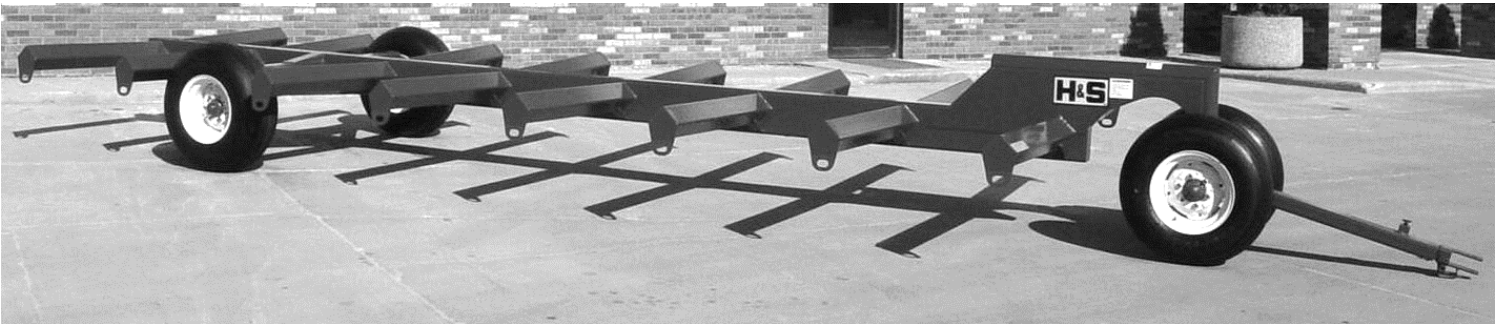


H&S

PARTS BOOK

BT6 BALE TRANSPORT



Revision #01
Starting Ser. #712296

Part #60011
HSMFG0317

P.O. BOX 768, MARSHFIELD, WI 54449
(715) 387-3414 FAX (715) 384-5463
www.hsmfgco.com

CONTENTS

Instructions For Ordering Parts - About Improvements 1

Figure 1 - Main Frame & Components. 2-3

Figure 2 - Front Hub Assembly 4-5

Figure 3 - Rear Hub Assembly 6-7

Parts Notes 8

INSTRUCTIONS FOR ORDERING PARTS

0#Á^!ç&Á æ°Á @~|áÁ^Á|á^!áÁ@~* @Á~!Áæ c@!ã^áPBUÁ^æ^!È^Á q|Á^Áæ|ÁÁ Á æ^
^~Áæ c^!Á^!ç&ÁÁ[~Á q|Á|!ç&Á@{ Á æ@ÁÁ||, q *K

FÈ T[á^|BÁ^!æÁ~ { à^!ÁÁ[c@Áæ Á^Á| &æ^áÁ} Á@Áæ^Á-Á@Á^} c^!Á^æq *Á|•cÁæ[ç^
æ&Á [~} È

GÈ 0#Á^!^} &•Á Á-Á^!Áæ @Áæ]|^Á Á@Á æ@Á^Áæ Áæ, ^áÁ[{ Á@Á^æÈ

HÈ Úæ°Á@~|áÁ[cÁ^Á|á^!áÁ[{ Á|~•cÁæ } Á|^Á|æ^Á|á^!Á[{]|^c^Áæq~ { à^!È

I È GÁ[~!Á^æ^!Áæ Á|á^!Áæ°ÁÁ æ°ÁÁ æ^Á@] q *Á •c^ &Á }•K

X0Á~ & Áæ*^Á q&•Á|æ^Á] ^&Á| &æÁ~ & Áq ^•D

X0ÁV, æ^áÚæ&^!Á^!ç&Á q &~ á^Á ||Áá^!••D

H&S MFG. CO. INC.	
MARSHFIELD, WIS.	
MOD. NO.	<input type="text"/>
SER. NO.	<input type="text"/>
DESCR.	<input type="text"/>

ÚSÒÈÒÀÌÒÒUÜÖÁWT ÓÒUÀUÜÁUWÜÁPQÁUÜÁWÔSÁÌÒÒÜÒPÒÒ

ABOUT IMPROVEMENTS

PBUÁUÁUPVQWÔSŠYÁVÜXQÖÁUÁ ÚÜUXÒÁUÁÜÜÖWÔVÜ

Y^Á~•c@!~!^Á•!ç^Á@Áæ @ÁÁ æ^Á]|[ç{^}c^!Á&@*^Á@}^ç^!Á^&{^•Á|æ&æÁ
á[Á[Èæq~c&||q*Á^Á|áæ]ÁÁæ^Á&@*^Á|Ááá]•ÁÁ@Á~q{^}c^!çq~|^Á|áÈ

FIGURE 1

MAIN FRAME & COMPONENTS

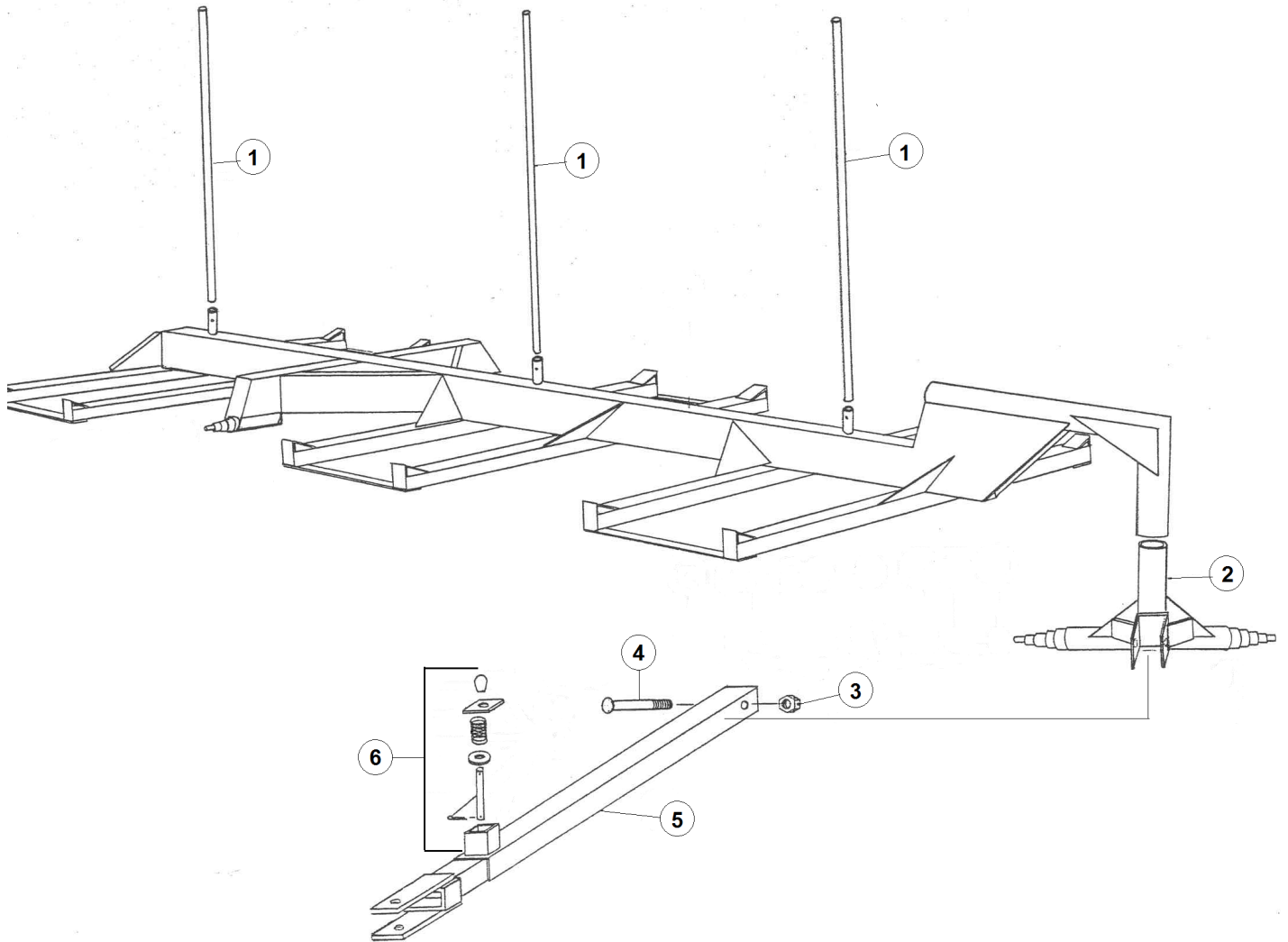


FIGURE 1

MAIN FRAME & COMPONENTS

<u>ITEM</u>	<u>PART #</u>	<u>DESCRIPTION</u>
1	BT1	FLAG POLE
2	BT2	TRI-CYCLE FRONT
3	BT3	NUT
4	GF21	POLE BOLT
5	BT4	POLE ASSEMBLY
6	GF5	COMPLETE LATCH ASSEMBLY

FIGURE 2
FRONT HUB ASSEMBLY

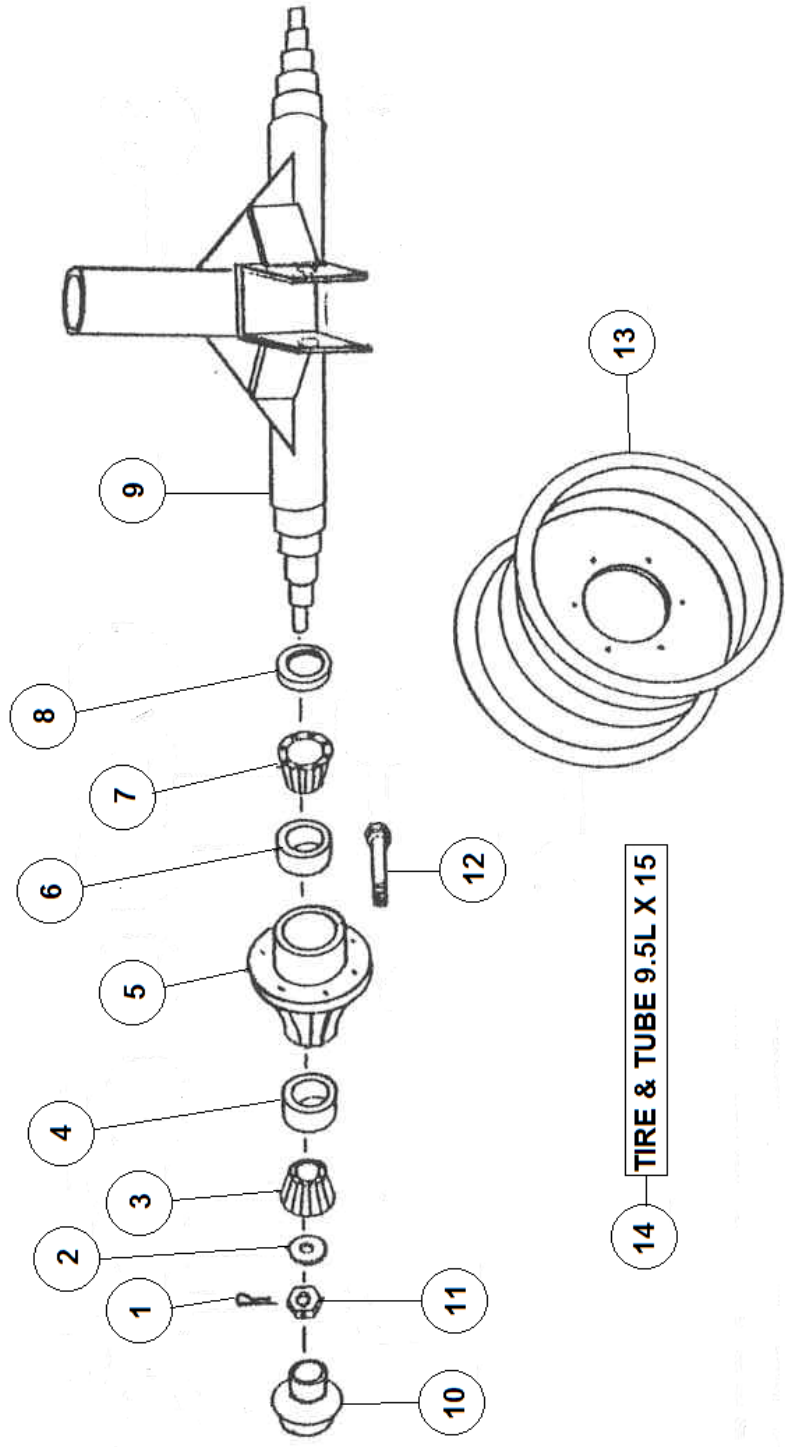


FIGURE 2
FRONT HUB ASSEMBLY

<u>ITEM</u>	<u>PART #</u>	<u>DESCRIPTION</u>
1	YPCT05010	COTTER PIN
2	YWFL28005	WASHER FLAT, 7/8 USS
3	17G145	OUTER BEARING
4	17G146	OUTER RACE
5	12N20	HUB ASSEMBLY
6	12N19	INNER RACE
7	12N18	INNER BEARING
8	12N17	SEAL
9	BT2	TRI-CYCLE FRONT
10	17G144	HUB CAP
11	YNSL28005	NUT HEX, SLOTTED, 7/8 WHEEL
12	YBWL16005	BOLT, 1/2 X 1 G5 WHEEL, 15 X
13	RG127	6, 6 BOLT
14	UR1	9.5L X 15, 8-PLY TIRE & TUBE

FIGURE 3
REAR HUB ASSEMBLY

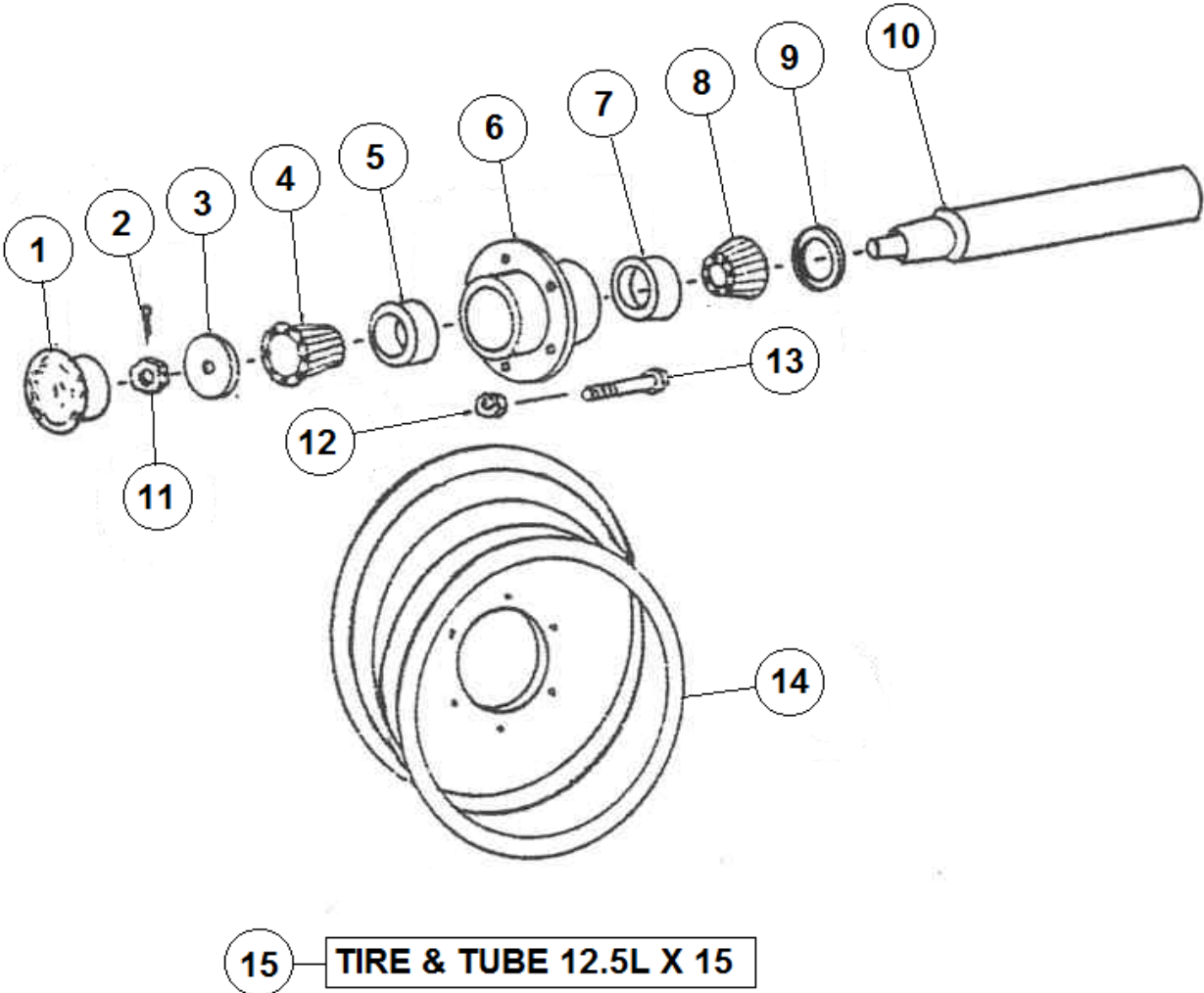


FIGURE 3
REAR HUB ASSEMBLY

<u>ITEM</u>	<u>PART#</u>	<u>DESCRIPTION</u>
1	17G144	HUB CAP
2	YPCT05010	COTTER PIN
3	YWFL24005	WASHER
4	17G145	OUTER BEARING
5	17G146	OUTER RACE
6	RG46 1	HUB W/RACES
7	7G149	INNER RACE
8	17G150	INNER BEARING
9	RG43	SEAL
10	RG42	BACK SPINDLE
11	BFR64	NUT SLOTTED, 3/4
12	YNSL24010	WHEEL NUT
13	YBSD20005	STUD BOLT, 5/8 UNF X 2 1/4
14	12N24	WHEEL 15 X 8, 6 BOLT
15	UR3	12.5L X 15, 8-PLY TIRE & TUBE
*	RG263	COMPLETE ASSEMBLY

MEANS NOT SHOWN

