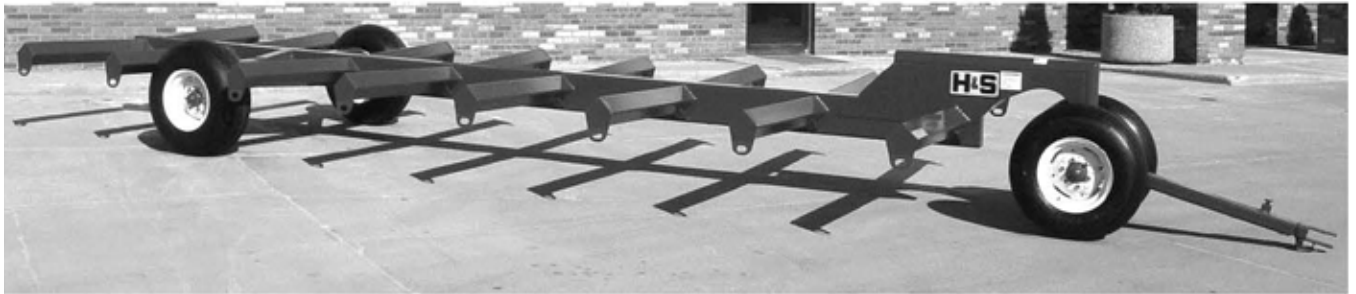




BT814

BALE TRANSPORT



Revision #01
Starting Ser. #911BT08020

HSMFG0119

PART#60079

Manufactured by
H&S MANUFACTURING CO., INC.
2608 S. HUME AVE. MARSHFIELD, WI 54449
(715) 387-3414 | hsmfgco.com



CONTENTS

Instructions for Ordering Parts - About Improvements	1
Figure 1 - Main Frame & Components	2-3
Figure 2 - Front Hub Assembly	4-5
Figure 3 - Rear Hub Assembly.	6-7
Figure 4 - Light Option.	8-9
Parts Notes	10

INSTRUCTIONS FOR ORDERING PARTS

All service parts should be ordered through your authorized H&S dealer. He will be able to give you faster service if you will provide them with the following:

1. Model & Serial Number - Both can be located on the side of the center bearing post above jack mount.
2. All references to left or right apply to the machine as viewed from the rear.
3. Parts should not be ordered from illustration only. Please order complete part number.
4. If your dealer has to order parts - give shipping instructions:

VIA truck - large pieces (please specify local truck lines)

VIA United Parcel Service (include full address)



PLEASE RECORD NUMBERS FOR YOUR UNIT FOR QUICK REFERENCE

ABOUT IMPROVEMENTS

H&S IS CONTINUALLY STRIVING TO IMPROVE IT'S PRODUCTS

We must therefore, reserve the right to make improvements or changes whenever it becomes practical to do so, without incurring any obligation to make changes or additions to the equipment previously sold.

FIGURE 1
MAIN FRAME & COMPONENTS

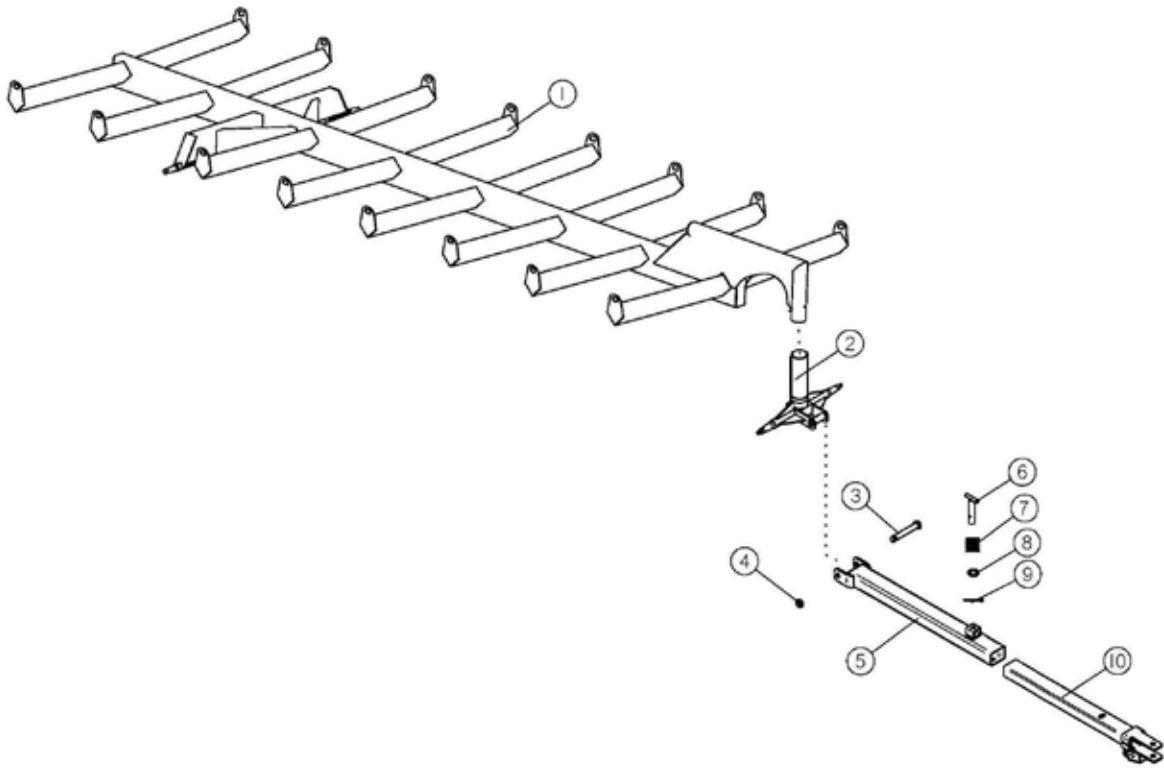


FIGURE 1
MAIN FRAME & COMPONENTS

<u>ITEM</u>	<u>QTY</u>	<u>PART#</u>	<u>DESCRIPTION</u>
1	1	BT31	FRAME
2	1	BT32	TRICYCLE FRONT AXLE
3	1	BT35	POLE PIN
4	1	YNNY32005	NUT HEX, 1
5	1	BT33	OUTER POLE
6	1	BT37	TELEPOLE
7	1	BFR240	LATCH PIN SPRING
8	1	YWFL24020	WASHER FLAT, 3/4
9	1	T72	COTTER PIN, 5/32 X 1-1/2
10	1	BT34	INNER POLE

FIGURE 2
FRONT HUB ASSEMBLY

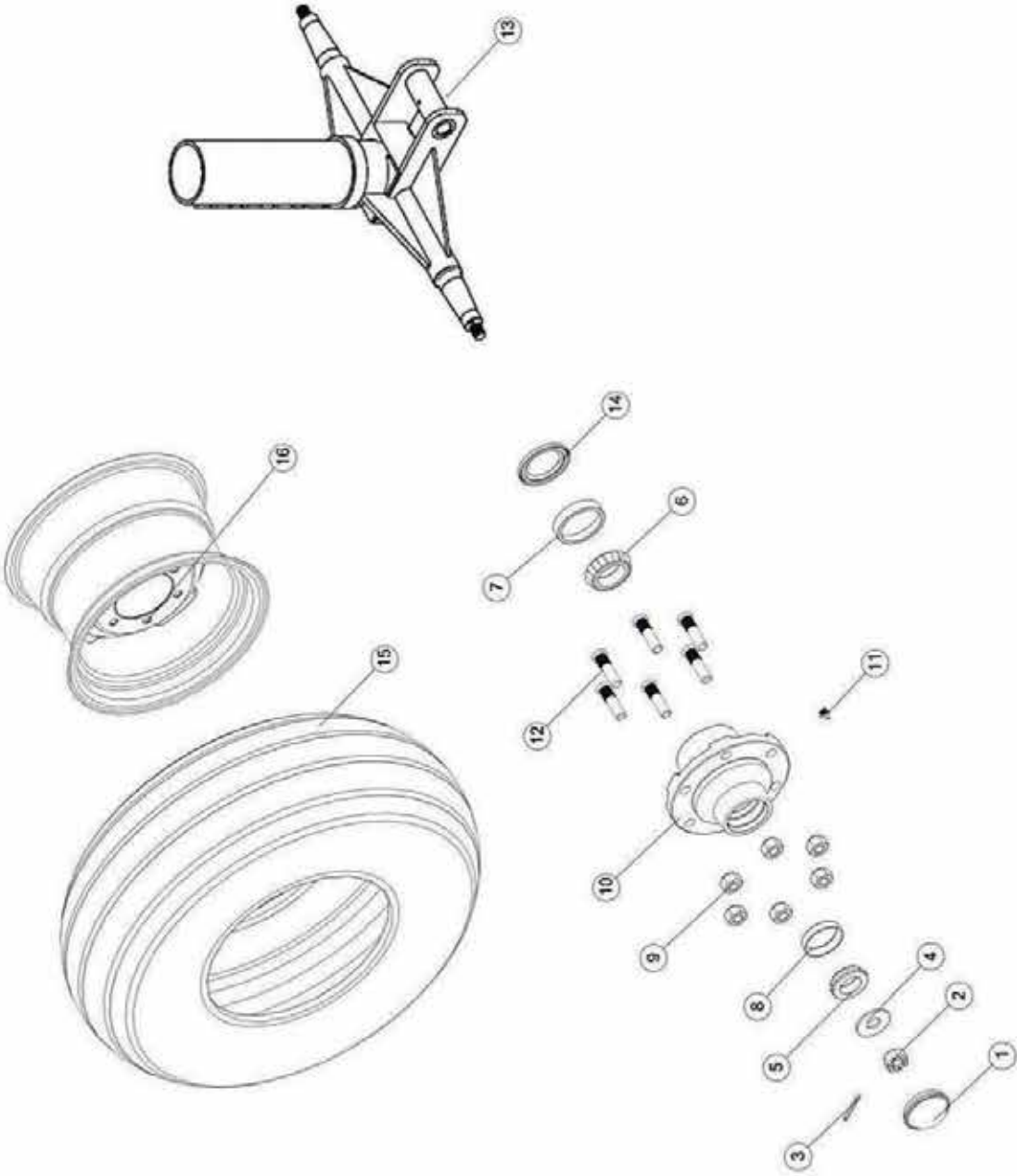


FIGURE 2

FRONT HUB ASSEMBLY

<u>ITEM</u>	<u>QTY</u>	<u>PART#</u>	<u>DESCRIPTION</u>
1	2	17G144	HUB CAP
2	2	YNSL24010	NUT HEX, SLOTTED, 3/4
3	2	YPCT05010	COTTER PIN, 5/32 X 1-1/2
4	2	YWFL24005	WASHER, FLAT 3/4
5	2	17G145	OUTER BEARING
6	2	17G150	INNER BEARING
7	2	RG169	RACE
8	2	RG47	OUTER RACE
9	12	YNWL18005	WHEEL NUT, 9/16
10	2	RG46	HUB W/RACES
11	2	54595	GREASE ZERK, 1/8 NPT
12	12	YBSD18005	BOLT STUD, 9/16 X 2-1/8
13	1	BT32	TRICYCLE FRONT AXLE
14	2	RG43	SEAL
15	2	UR2A	TIRE, 11L X 15 8 PLY
16	2	12N2	WHEEL, 15 X 8, 6 BOLT

FIGURE 3 REAR HUB ASSEMBLY

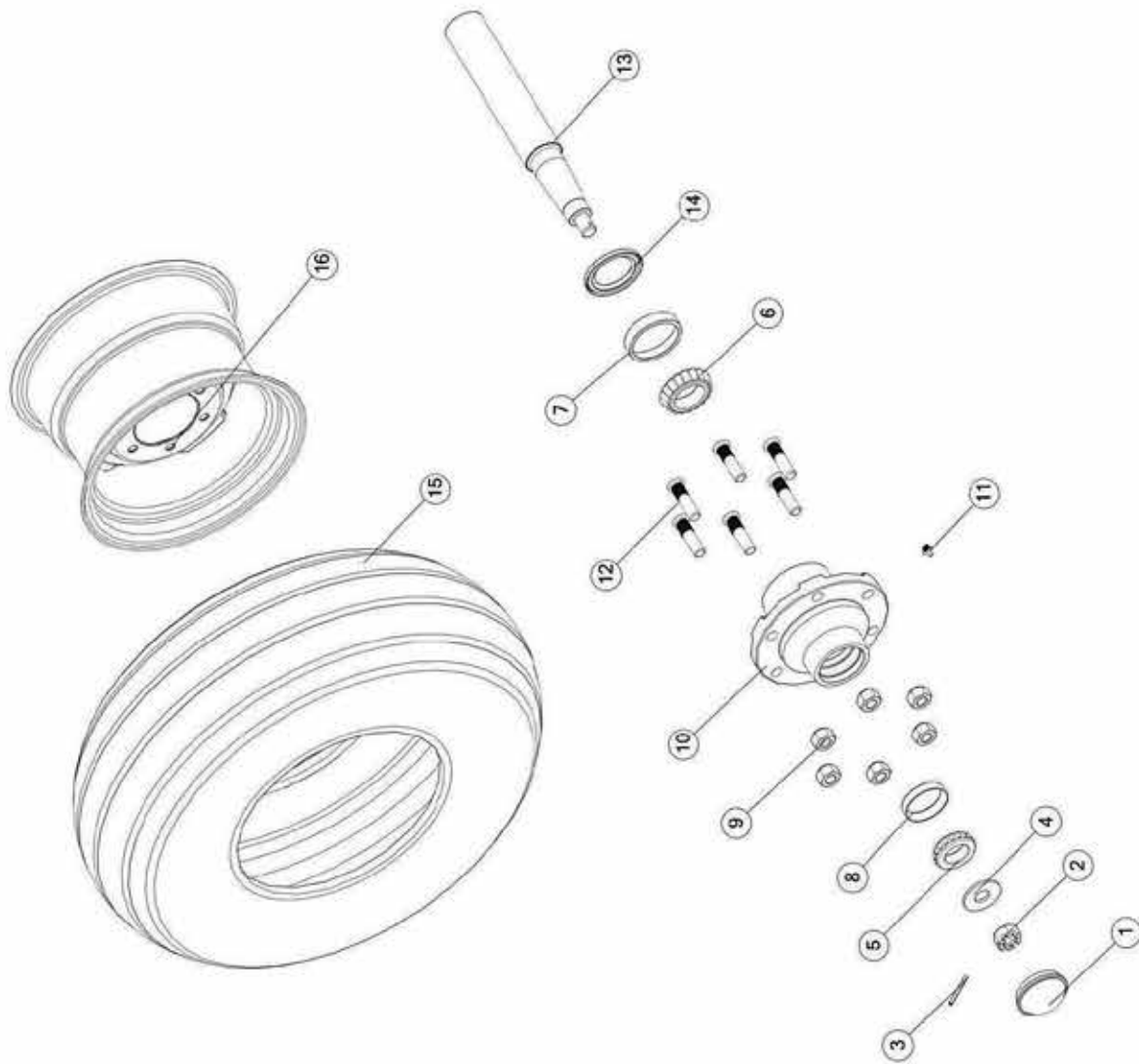


FIGURE 3

REAR HUB ASSEMBLY

<u>ITEM</u>	<u>QTY</u>	<u>PART#</u>	<u>DESCRIPTION</u>
1	2	17G144	HUB CAP
2	2	YNSL24010	NUT HEX , SLOTTED, 3/4
3	2	YPCT05010	COTTER PIN, 5/32 X 1-1/2
4	2	YWFL24005	WASHER FLAT, 3/4
5	2	17G145	OUTER BEARING
6	2	17G150	INNER BEARING
7	2	RG169	RACE
8	2	RG47	OUTER RACE
9	12	YNWL18005	WHEEL NUT, 9/16
10	2	RG46	HUB W/RACES
11	2	54595	GREASE ZERK, 1/8 NPT
12	12	YBSD18005	BOLT STUD, 9/16 X 2-1/8
13	2	RG97	BACK SPINDLE
14	2	RG43	SEAL
15	2	UR11A	TIRE, 12.5L-12 PLY
16	1	RG50	WHEEL, 15 X 10, 6 BOLT

FIGURE 4
LIGHT OPTION

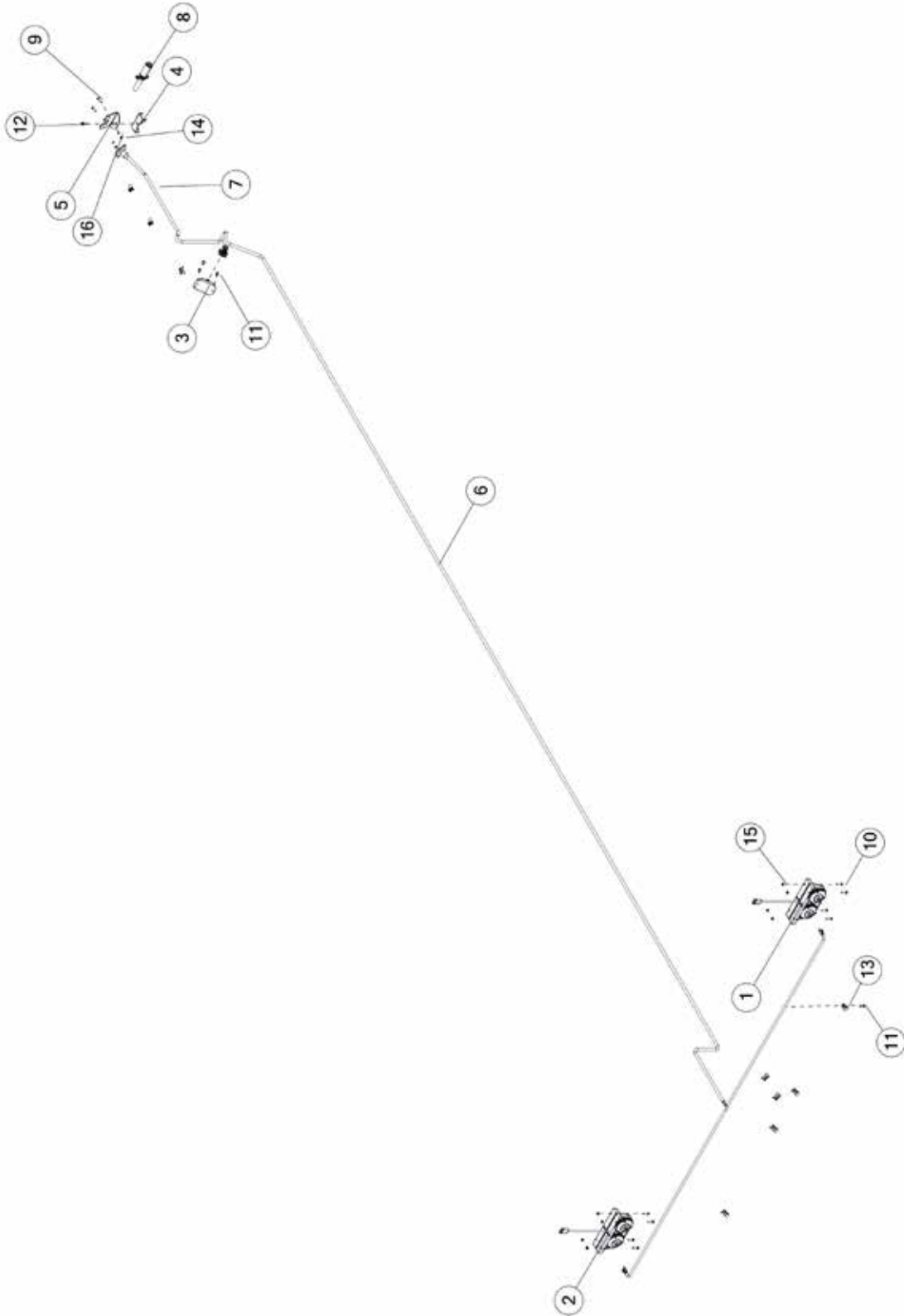


FIGURE 4 **LIGHT OPTION**

<u>ITEM</u>	<u>QTY</u>	<u>PART#</u>	<u>DESCRIPTION</u>
1	1	77923	LH TAIL LIGHT ASSY
2	1	77924	RH TAIL LIGHT ASSY
3	1	69908	MODULE CONTROL
4	1	78014	BRACKET
5	1	BFR659	LIGHT BRACKET
6	1	78029	LIGHT HARNESS
7	1	78015	LIGHT HARNESS
8	1	TLPC	TRANSPORT LIGHT CORD
9	2	YBHH08005	BOLT, 1/4 X 1 G2
10	8	YBHH08030	BOLT, 1/4 X 1-1/4 G2
11	12	YSDR08005	SELF DRILLING SCREW
12	1	YSST10005	SELF THREADING FLANGE BOLT
13	12	HGV162	CUSHION WIRE CLAMP 1/2
14	2	YNHX08005	NUT HEX, 1/4
15	8	YNNY08005	NUT HEX, 1/4 G2
16	2	YWLO08005	WASHER LOCK 1/4

CHANGE NOTES

1. ADDED OPTION LIGHTS TO FIGURE 4

H&S MFG. CO.

products approved

for the

FEMA

SEAL OF QUALITY

