



BW1000 LINEWRAP

PARTS BOOK



Revision #03
Starting Serial #312176

HSMFG0613

Part #59666

Manufactured By
H&S MANUFACTURING CO., INC.

P.O. BOX 768 (715) 387-3414 FAX (715) 384-5463
MARSHFIELD, WISCONSIN 54449

CONTENTS

| | |
|--|-------|
| Instructions for Ordering Parts | 1 |
| Figure 1 - Main Frame | 2-3 |
| Figure 2 - Rear Axles/Rollers | 4-7 |
| Figure 3 - Skid Plates/Shields | 8-9 |
| Figure 4 - Hoop/Bale Platform/Guides | 10-13 |
| Figure 5 - Front Axle | 14-17 |
| Figure 6 - Bale Pusher | 18-21 |
| Figure 7 - Honda Engine | 22-23 |
| Figure 8 - Hydraulics | 24-27 |
| Figure 9 - Electrical | 28-29 |
| Figure 10 -Hydraulic Pusher Cylinder | 30 |
| Figure 11 - Hydraulic Tail Cylinder | 31 |
| Figure 12 - Optional Hydraulic Steering | 32-33 |
| Figure 13 - Linewrap Tension Head | 34 |
| Figure 14 - Optional Hydraulic Steering Cylinder | 35 |
| Figure 15 - Main Valve | 36-37 |
| Parts Notes | 38 |

INSTRUCTIONS FOR ORDERING PARTS

All service parts should be ordered through your authorized H&S dealer. They will be able to give you faster service if you will provide them with the following

1. Model & Serial number are located by the electric control box of your unit.
2. All reference to left or right apply to the machine as viewed from the rear.
3. Parts should not be ordered from illustration only. Please order by complete part number.
4. If your dealer has to order parts - give shipping instructions:

VIA truck - large pieces (please specify local truck lines)

VIA United Parcel Service (include full address)

| | |
|------------------------------|----------------------|
| H&S MFG. CO. INC. | |
| MARSHFIELD, WIS. | |
| MOD. NO. | <input type="text"/> |
| SER. NO. | <input type="text"/> |
| DESCR. | <input type="text"/> |

PLEASE RECORD NUMBERS FOR YOUR UNIT FOR QUICK REFERENCE

ABOUT IMPROVEMENTS

H&S IS CONTINUALLY STRIVING TO IMPROVE IT'S PRODUCTS

We must therefore, reserve the right to make improvements or changes whenever it becomes practical to do so without incurring any obligation to make changes or additions to the equipment previously sold.

FIGURE 1

MAIN FRAME

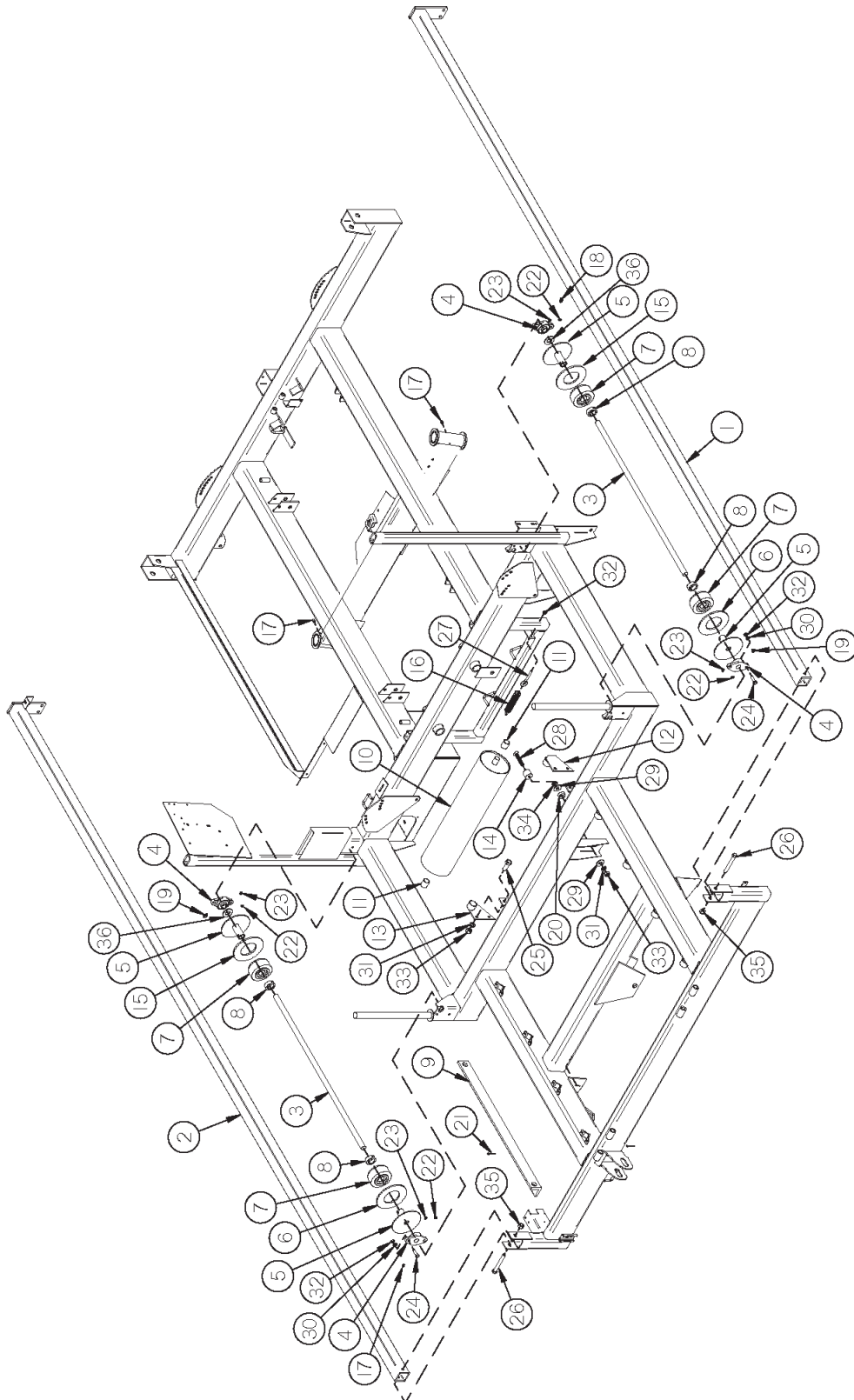


FIGURE 1

MAIN FRAME

| <u>ITEM</u> | <u>QTY</u> | <u>PART #</u> | <u>DESCRIPTION</u> |
|-------------|------------|---------------|--|
| 1 | 1 | LW7 | PUSHER SLIDE - RH |
| 2 | 1 | LW6 | PUSHER SLIDE LH |
| 3 | 1 | LW53 | HOOP ROLLER SHAFT |
| 4 | 4 | T40 | BEARING W/ LOCK COLLAR |
| 5 | 4 | LW61 | HOOP ROLLER HUB |
| 6 | 4 | LW64 | HOOP ROLLER LIP |
| 7 | 4 | LW22 | HOOP ROLLER |
| 8 | 4 | LW60 | HOOP ROLLER COLLAR |
| 9 | 1 | LW165 | TAIL STORAGE LINK |
| 10 | 1 | LW163 | SHORT ROLLER |
| 11 | 2 | LW63 | PVC BEARING |
| 12 | 1 | LW155 | RH ROLLER BRACKET MOUNT |
| 13 | 1 | LW154 | LH ROLLER BRACKET MOUNT |
| 14 | 1 | LW67 | REAR HOOP GUIDE |
| 15 | 2 | LW341 | HOOP ROLLER SIDE WASHER |
| 16 | 1 | ST36 | HYDRAULIC MOTOR SPRING |
| 17 | 3 | G89 | 1/4"-28 STRAIGHT-STANDARD GREASE ZERK #1641 |
| 18 | 1 | RG21 | 1/4"-28 45° GREASE ZERK #1637 |
| 19 | 2 | RG51 | 1/4"-28 90° GREASE ZERK #1911 |
| 20 | 1 | R65 | SPACER |
| 21 | 1 | YPCT05010 | COTTER PIN, 5/32" X 1-1/2" |
| 22 | 4 | YSKP10010 | SET SCREW, SOCKET, KNURLED CUP PT, 5/16" - 18 X 3/8" |
| 23 | 4 | YSKP12010 | SET SCREW, SOCKET, KNURLED CUP PT, 3/8"-16 X 1/2" |
| 24 | 8 | YBHH10045 | BOLT, 5/16" X 1-1/4" GR. 5 |
| 25 | 4 | YBHH16045 | BOLT, 1/2" X 1-1/4" GR. 5 |
| 26 | 2 | YBHH16125 | BOLT, 1/2" X 3-3/4" GR. 5 |
| 27 | 1 | YBTE10030 | TURNUED EYE BOLT, 5/16" X 3" |
| 28 | 1 | YSFS16045 | FLAT HEAD SOCKET CAP SCREW, 1/2" X 3" |
| 29 | 2 | YWFL16005 | WASHER, FLAT, 1/2" USS |
| 30 | 8 | YWLO10005 | WASHER, LOCK, 5/16" |
| 31 | 5 | YWLO16005 | WASHER, LOCK, 1/2" |
| 32 | 9 | YNHX10005 | HEX NUT, 5/16" |
| 33 | 5 | YNHX16005 | HEX NUT, 1/2" |
| 34 | 1 | YNNJ16005 | HEX NUT, NYLON JAM NUT, 1/2" |
| 35 | 2 | YNNY16005 | HEX NUT, NYLON LOCKNUT, 1/2" |
| 36 | 2 | BFR33 | WASHER |

FIGURE 2

REAR AXLE/ROLLERS

| <u>ITEM</u> | <u>QTY</u> | <u>PART #</u> | <u>DESCRIPTION</u> |
|-------------|------------|---------------|--------------------------------|
| 1 | 1 | LW246 | TAIL |
| 2 | 2 | LW157 | SMALL ROLLER |
| 3 | 20 | LW63 | PVC BEARING |
| 4 | 8 | LW158 | LARGE ROLLER |
| 5 | 4 | LW229 | POLY ROLLER INSERT |
| 6 | 2 | LW230 | END ROLLER |
| 7 | 2 | LW27 | REAR SPINDLE |
| 8 | 1 | LW20 | REAR AXLE |
| 9 | 1 | LW12 | BRAKE ASSEMBLY |
| 10 | 1 | LW43 | REAR AXLE PIN |
| 11 | 1 | LW45 | BRAKE CYLINDER STOP |
| 12 | 1 | LW57 | CYLINDER PIN |
| 13 | 2 | 10R14 | SPRING BRAKE RETURN |
| 14 | 2 | LW231 | BEARING BRACKET |
| 15 | 12 | LW340 | ROLLER HOLDER |
| 16 | 5 | BFR33 | WASHER 49/64" |
| 17 | 1 | 57148 | TAIL PIN |
| 18 | 1 | X94 | SPACER |
| 19 | 1 | LW237 | TAIL CYLINDER PIN-CYLINDER END |
| 20 | 2 | LW54 | TAIL HINGE PIN |
| 21 | 1 | S122 | CLIP PIN W/ LANYARD |
| 22 | 2 | RG98 | SEAL |
| 23 | 2 | RG99 | INNER BEARING |
| 24 | 2 | RG100 | INNER RACE |
| 25 | 2 | RG101 | HUB 6-BOLT |
| 26 | 2 | 17G146 | OUTER RACE |
| 27 | 2 | 17G145 | OUTER BEARING |

FIGURE 2

REAR AXLE/ROLLERS

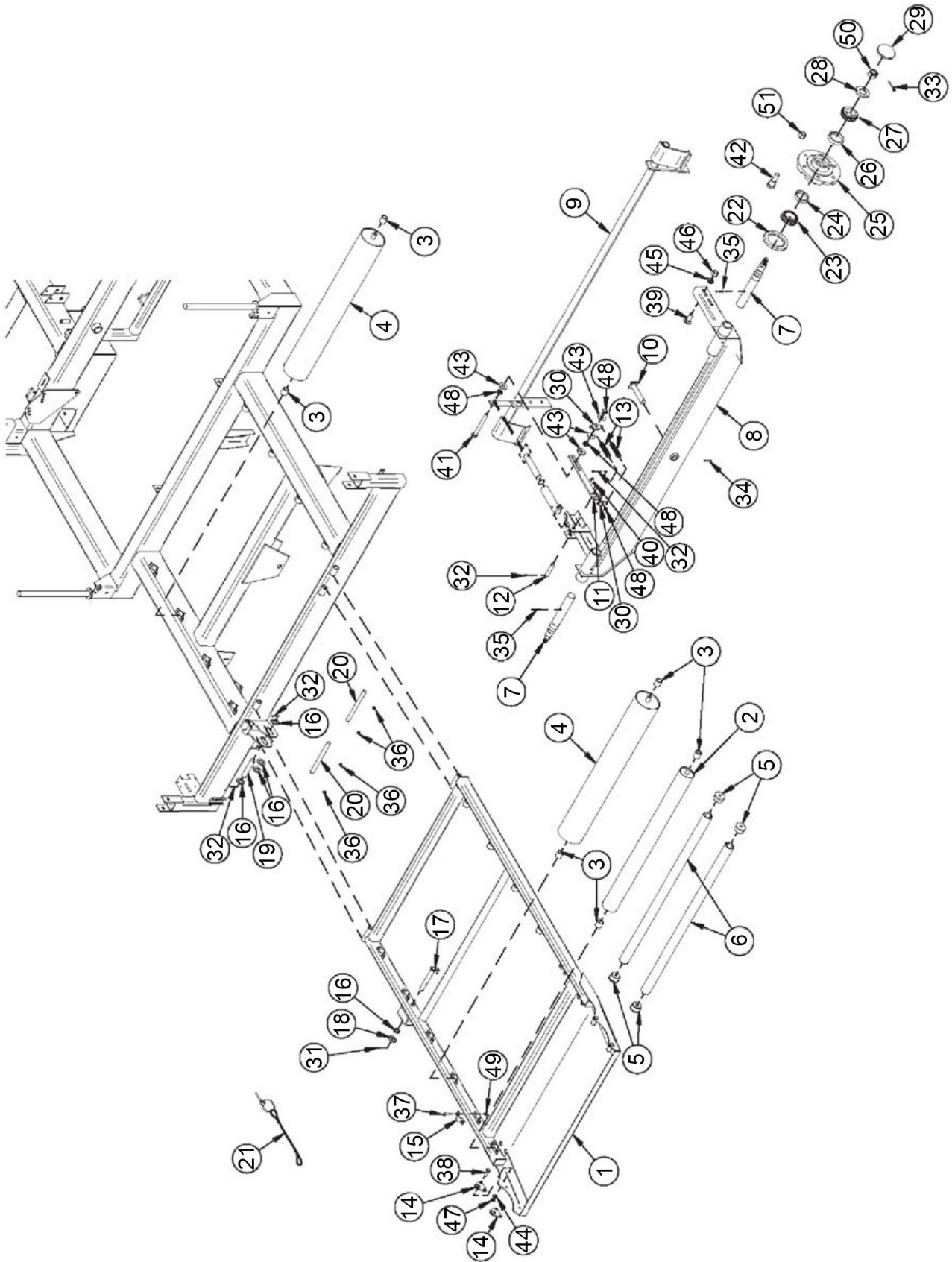


FIGURE 2

REAR AXLE/ROLLERS

| <u>ITEM</u> | <u>QTY</u> | <u>PART#</u> | <u>DESCRIPTION</u> |
|-------------|------------|--------------|---|
| 28 | 2 | RG182 | WASHER |
| 29 | 2 | RG103 | HUB CAP |
| 30 | 2 | 54046 | LW DUAL SPRING BRACKET |
| 31 | 1 | YPCT06020 | COTTER PIN, 3/16" X 2" |
| 32 | 4 | YPCT05010 | COTTER PIN, 5/32" X 1-1/2" |
| 33 | 2 | YPCT05025 | COTTER PIN, 5/32" X 2" |
| 34 | 1 | YPEX10015 | EXPANSION PIN, 5/16" X 1-3/4" |
| 35 | 2 | YPEX12025 | EXPANSION PIN, 3/8" X 2-3/4" |
| 36 | 4 | YSKP08010 | SET SCREW, SOCKET, KNURLED CUP PT, 1/4"-20 X 1/2" |
| 37 | 20 | YBCR08040 | CARR. BOLT, 1/4" X 3/4" GR. 5 |
| 38 | 4 | YBCR12065 | CARR. BOLT, 3/8" X 3/4" GR. 5 |
| 39 | 4 | YBCR16015 | CARR. BOLT, 1/2" X 1-1/4" GR. 5 |
| 40 | 1 | YBHH16010 | BOLT, 1/2" X 1" GR. 5 |
| 41 | 1 | YBHH16145 | BOLT, 1/2" X 4-1/2" GR. 5 FULL THREAD |
| 42 | 12 | YBSD20010 | STUD BOLT, 1/2"-20 UNF X 1-7/8" (3/4" SHOULDER) |
| 43 | 4 | YWFL16005 | WASHER, FLAT, 1/2" USS |
| 44 | 4 | YWLO12005 | WASHER, LOCK, 3/8" |
| 45 | 4 | YWLO16005 | WASHER, LOCK, 1/2" |
| 46 | 4 | YNHX16005 | HEX NUT, 1/2" |
| 47 | 4 | YNJM12005 | HEX NUT, JAM, 3/8"-16 |
| 48 | 3 | YNNJ16005 | HEX NUT, NYLON JAM NUT, 1/2" |
| 49 | 20 | YNTL08005 | HEX NUT, TOP LOCK, 1/4"-20 |
| 50 | 2 | YNSL28005 | HEX NUT, SLOTTED, 7/8"-14 |
| 51 | 12 | YNWL16005 | WHEEL NUT, 1/2"-20 UNF |

NOTE: * MEANS NOT SHOWN

FIGURE 3

SKID PLATES/SHIELDS

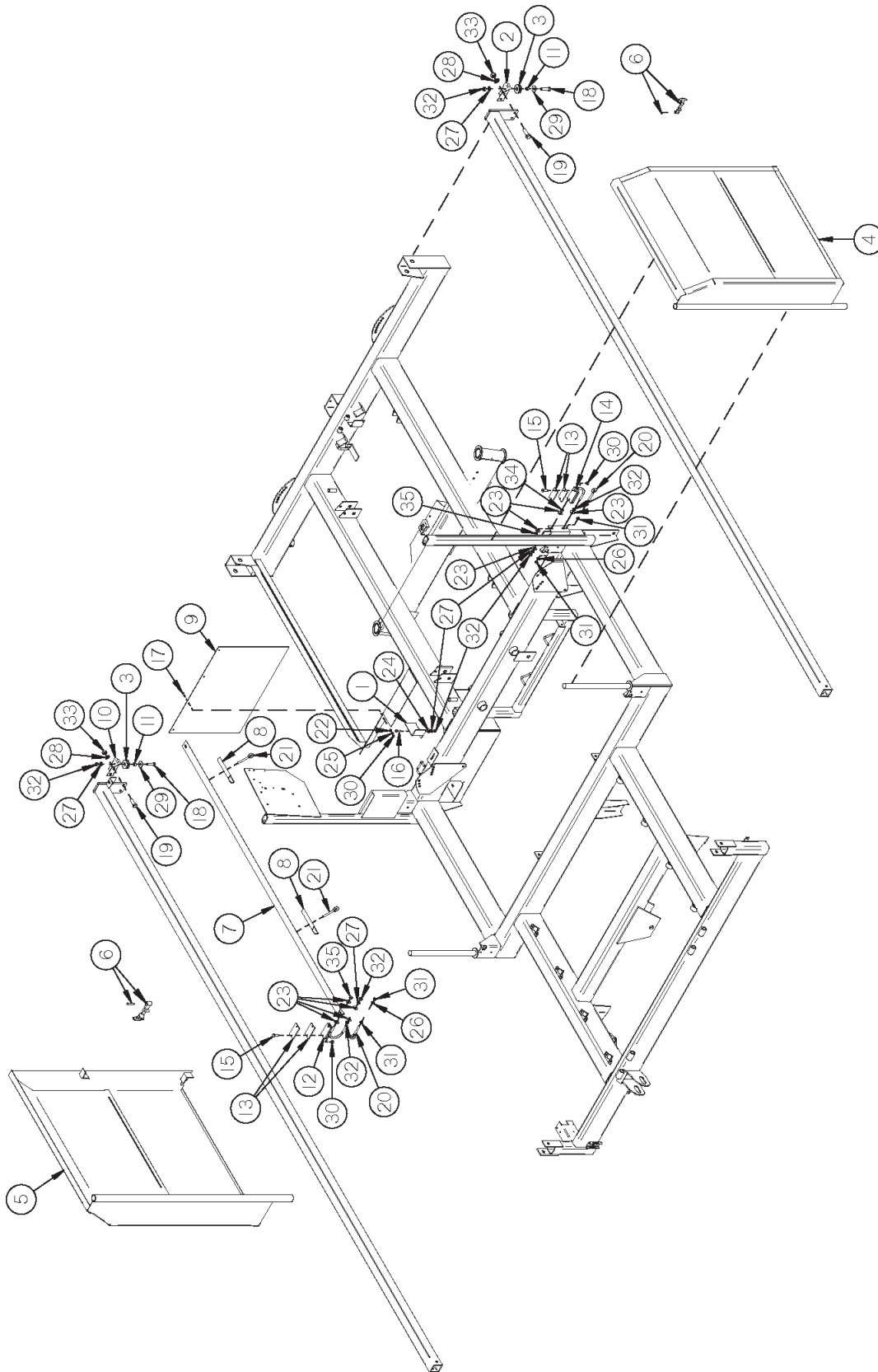


FIGURE 3

SKID PLATES/SHIELDS

| <u>ITEM</u> | <u>QTY</u> | <u>PART #</u> | <u>DESCRIPTION</u> |
|-------------|------------|---------------|--|
| 1 | 1 | LW40 | BATTERY HOLDER |
| 2 | 1 | LW36 | STOP PULLEY RH |
| 3 | 2 | BFR292 | PULLEY |
| 4 | 1 | LW14 | SHIELD RH |
| 5 | 1 | LW13 | SHIELD LH |
| 6 | 4 | X233 | COMPLETE LATCH |
| 7 | 1 | LW31 | LIMIT SWITCH RAIL |
| 8 | 2 | LW32 | LIMIT SWITCH SLIDE |
| 9 | 1 | LW68 | MUD FLAP |
| 10 | 1 | LW35 | STOP PULLER LH |
| 11 | 2 | ST81 | BUSHING |
| 12 | 1 | LW226 | LH SKID PLATE |
| 13 | 4 | LW228 | POLY WEAR PAD |
| 14 | 1 | LW227 | RH SKID PLATE |
| 15 | 2 | YBCR08005 | CARR. BOLT, 1/4" X 1" |
| 16 | 1 | YBCR12010 | CARR. BOLT, 3/8" X 1" GR. 5 |
| 17 | 4 | YBHH08100 | BOLT, 1/4" X 3/4" GR. 5 |
| 18 | 2 | YBHH12025 | BOLT, 3/8" X 1-1/2" GR. 5 |
| 19 | 4 | YBHH16025 | BOLT, 1/2" X 1-1/2" GR. 2 |
| 20 | 2 | YBTE10030 | TURNED EYE BOLT, 5/16" X 3" |
| 21 | 2 | YBTE12015 | TURNED EYE BOLT, 3/8" X 2-1/2" |
| 22 | 4 | YWFL08005 | WASHER, FLAT, 1/4" USS |
| 23 | 8 | YWFL10005 | WASHER, FLAT, 5/16" USS |
| 24 | 1 | YWFL12005 | WASHER, FLAT, 3/8" USS |
| 25 | 4 | YWLO08005 | WASHER, LOCK, 1/4" |
| 26 | 2 | YWLO10005 | WASHER, LOCK, 5/16" |
| 27 | 5 | YWLO12005 | WASHER, LOCK, 3/8" |
| 28 | 4 | YWLO16005 | WASHER, LOCK, 1/2" |
| 29 | 2 | YWCU12005 | PULLEY WASHER |
| 30 | 6 | YNHX08005 | HEX NUT, 1/4"-20 |
| 31 | 4 | YNHX10005 | HEX NUT, 5/16" |
| 32 | 7 | YNHX12005 | HEX NUT, 3/8"-16 |
| 33 | 4 | YNHX16005 | HEX NUT, 1/2" |
| 34 | 1 | YNJM12005 | HEX NUT, JAM, 3/8"-16 |
| 35 | 2 | YNRL12005 | HEX NUT, REVERSIBLE-SIDE LOCK, 3/8"-16 |

FIGURE 4

HOOP/BALE PLATFORM/GUIDES

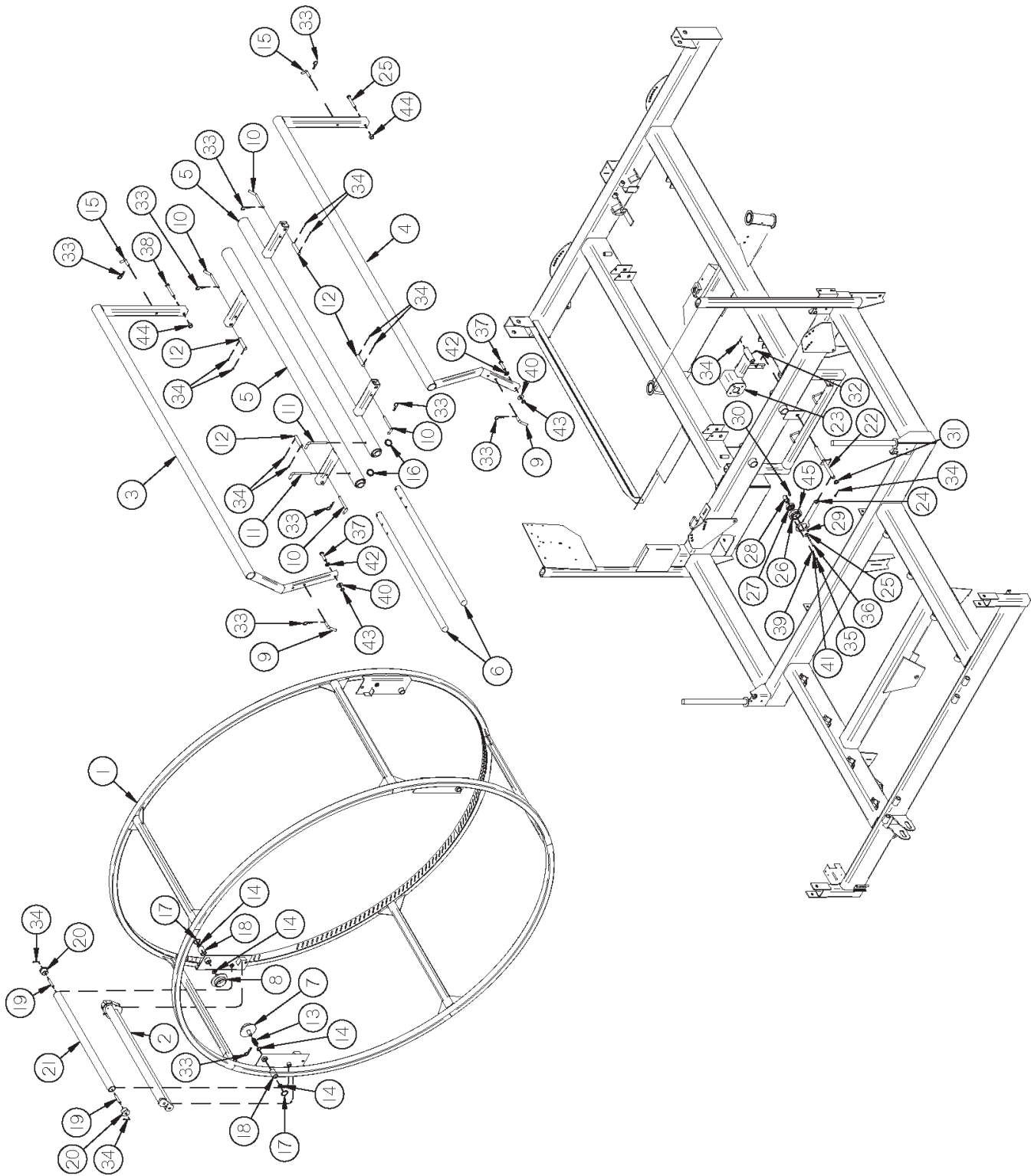


FIGURE 4

HOOP/BALE PLATFORM/GUIDES

| <u>ITEM</u> | <u>QTY</u> | <u>PART #</u> | <u>DESCRIPTION</u> |
|-------------|------------|---------------|-----------------------------------|
| 1 | 1 | LW2 | HOOP |
| 2 | 2 | LW280 | WRAP TENSION HEAD (SEE FIGURE 13) |
| 3 | 1 | LW8 | BALE GUIDE LH |
| 4 | 1 | LW9 | BALE GUIDE RH |
| 5 | 2 | LW10 | BALE RISER |
| 6 | 2 | LWSH23 | ROUND FORK |
| 7 | 2 | LW164 | REAR WRAP HOLDER |
| 8 | 2 | LW29 | FRONT WRAP HOLDER |
| 9 | 2 | LW51 | BALE GUIDE PIN REAR |
| 10 | 4 | LW49 | BALE RISER PIN |
| 11 | 2 | LW169 | FORK PIN |
| 12 | 4 | LW57 | BRAKE CYLINDER PIN |
| 13 | 2 | BFR240 | SPRING |
| 14 | A/R | LW42 | WASHER/SPACER |
| 15 | 2 | LW52 | BALE GUIDE PIN FRONT |
| 16 | 2 | LW170 | CIRCLE COTTER PIN |
| 17 | 4 | 10R32 | 3/4" EXTERNAL SNAP RING |
| 18 | 4 | LW121 | BUSHING 1" OD X 3/4" ID X 1" |
| 19 | 4 | LW50 | PVC ROLLER AXLE |
| 20 | 4 | LW349 | PVC ROLLER END SMALL |
| 21 | 2 | LW348 | WRAP PVC ROLLER SMALL |
| 22 | 1 | LWWE144 | MOTOR PIVOT SHAFT |
| 23 | 1 | LW11 | HYDRAULIC MOTOR MOUNT |
| 24 | 1 | LW3G43 | BEARING TORQUE ARM |

NOTE: A/R MEANS AS REQUIRED

FIGURE 4
HOOP/BALE PLATFORM/GUIDES

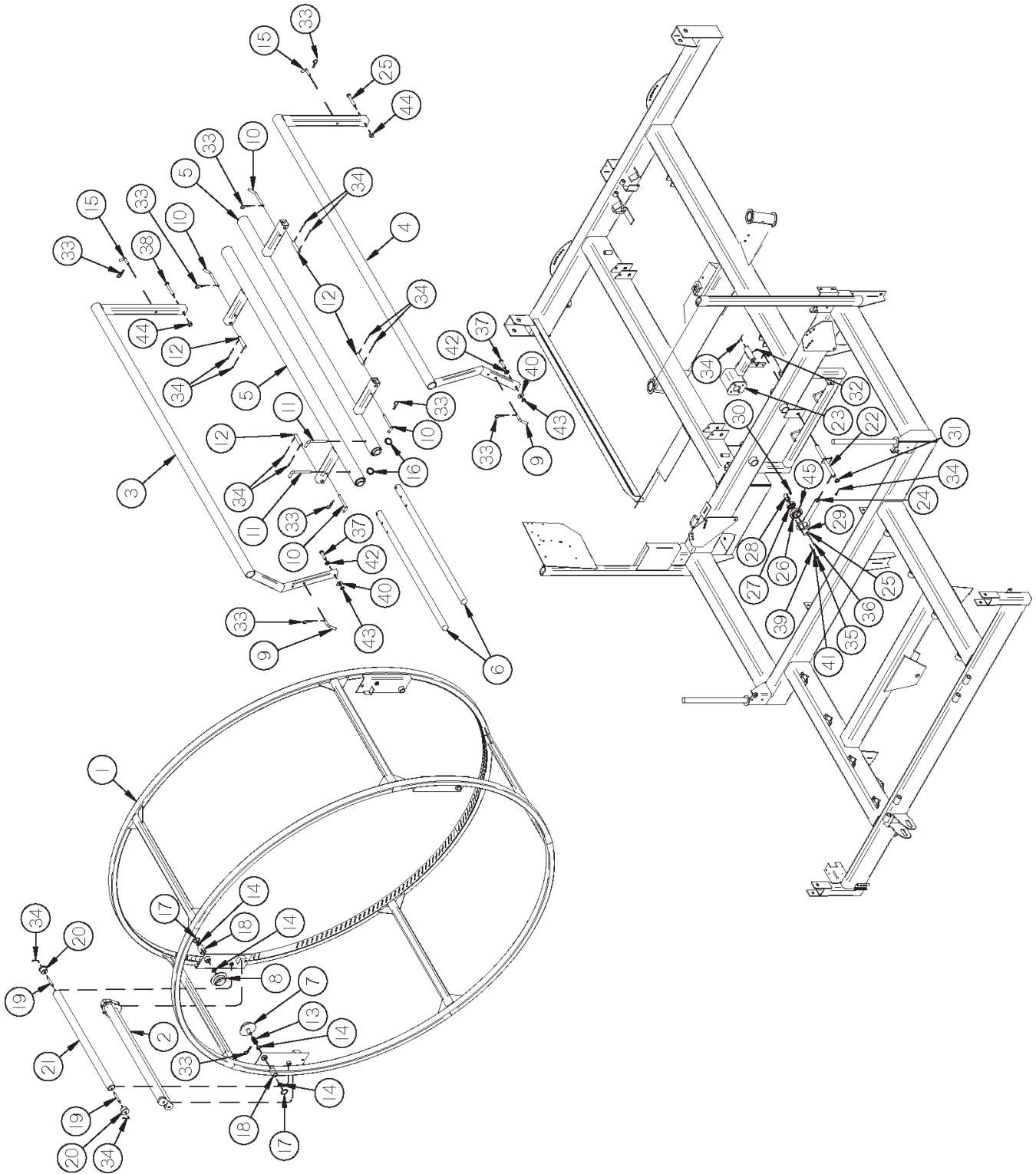


FIGURE 4

HOOP/BALE PLATFORM/GUIDES

| <u>ITEM</u> | <u>QTY</u> | <u>PART #</u> | <u>DESCRIPTION</u> |
|-------------|------------|---------------|--|
| 25 | 1 | LW10G32 | BEARING SHAFT WASHER |
| 26 | 1 | LWSH29 | TORQUE ARM BEARING MOUNT |
| 27 | 1 | 8643 | ONE WAY BEARING |
| 28 | 1 | LWSH25 | ONE WAY BEARING SHAFT |
| 29 | 1 | LWMS24 | BEARING KEY |
| 30 | 1 | 5B10 | WOODRUFF KEY, 1/4" X 1" |
| 31 | 1 | 16SV49 | SHIM .074 |
| * | 1 | LWAS06 | TORQUE ARM BEARING MOUNT COMPLETE (INCLUDES ITEMS 26,27,44) |
| 32 | 1 | G89 | 1/4"-28 STRAIGHT GREASE ZERK |
| 33 | 10 | YPHR02010 | HAIR PIN, #21-07 |
| 34 | 14 | YPCT05010 | COTTER PIN, 5/32" X 1-1/2" |
| 35 | 2 | YBHH08010 | BOLT, 1/4" X 1" GR. 5 |
| 36 | 1 | YBHH08055 | BOLT, 1/4" X 2-1/2" GR. 5 |
| 37 | 2 | YBHH16065 | BOLT, 1/2" X 2" GR. 5 |
| 38 | 2 | YBHH16120 | BOLT, 1/2" X 3-1/4" GR. 5 |
| 39 | 2 | YWFL08005 | WASHER, FLAT, 1/4" USS |
| 40 | 2 | YWFL16005 | WASHER, FLAT, 1/2" USS |
| 41 | 2 | YWLO08005 | WASHER, LOCK, 1/4" |
| 42 | 2 | YWLO16005 | WASHER, LOCK, 1/2" |
| 43 | 2 | YNNJ16005 | HEX NUT, NYLON JAM NUT, 1/2" |
| 44 | 2 | YNNY16005 | HEX NUT, NYLON LOCKNUT, 1/2" |
| 45 | 1 | YSKP08010 | SET SCREW, SOCKET, KNURLED CUP PT, 1/4"-20 X 1/2" |

NOTE: * MEANS NOT SHOWN

FIGURE 5

FRONT AXLE

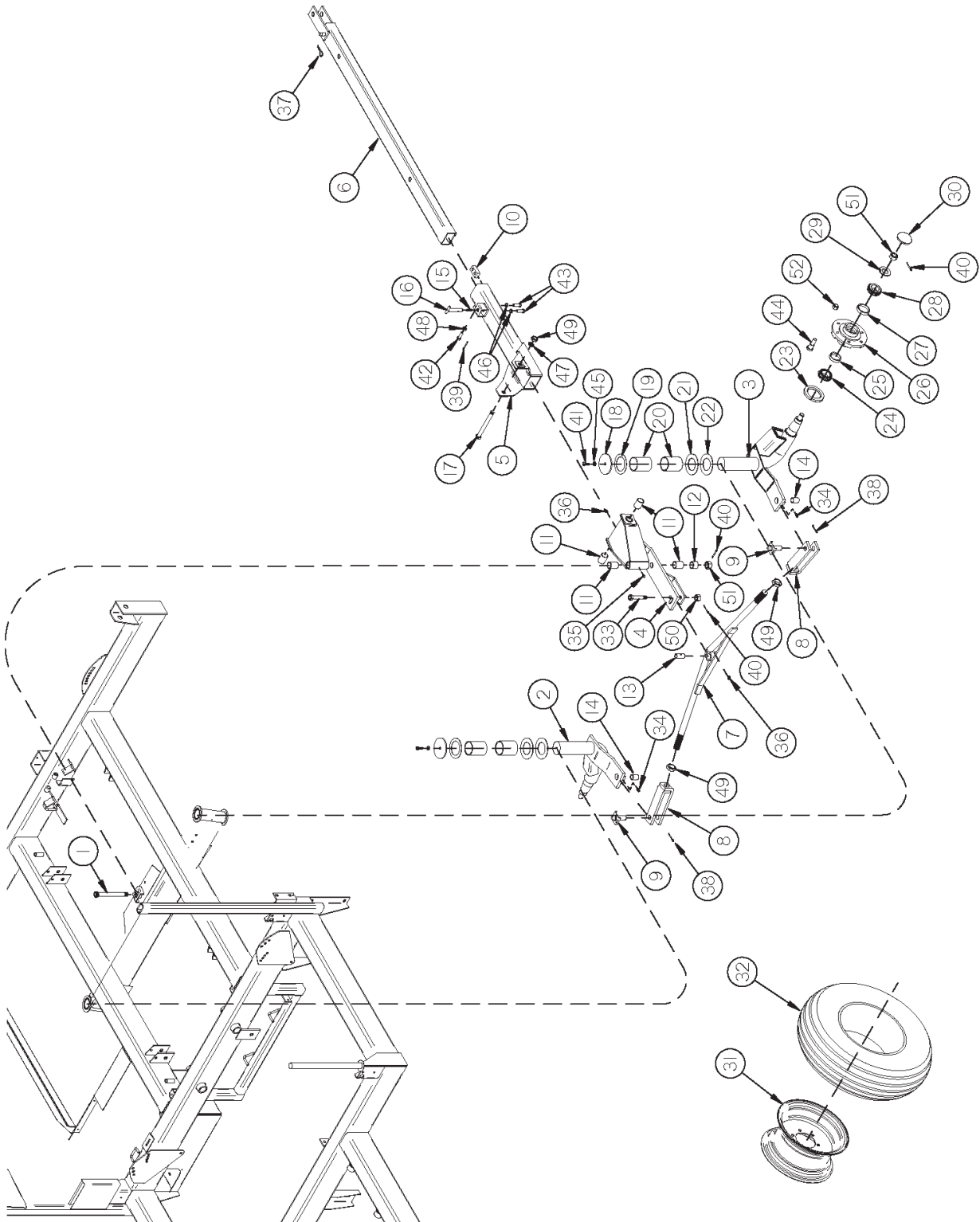


FIGURE 5

FRONT AXLE

| <u>ITEM</u> | <u>QTY</u> | <u>PART #</u> | <u>DESCRIPTION</u> |
|-------------|------------|---------------|--------------------------------------|
| 1 | 1 | RG287 | STEERING PIN |
| 2 | 1 | RG93 | SPINDLE LH |
| 3 | 1 | RG86 | SPINDLE RH |
| 4 | 1 | LW44 | POLE PIVOT |
| 5 | 1 | LW15 | OUTER POLE |
| 6 | 1 | LW16 | INNER POLE |
| 7 | 1 | RG83 | TIE ROD |
| 8 | 2 | RG91 | TIE ROD END |
| 9 | 2 | RG30 | CLEVIS PIN |
| 10 | 1 | RG291 | TELEPOLE STOP |
| 11 | 4 | RG77 | BUSHING 57/64" ID X 1-1/8" OD X 2" |
| 12 | 1 | RG81 | BUSHING 57/64" ID X 1-1/8" OD X 5/8" |
| 13 | 1 | RG18 | BUSHING 3/4" ID X 1" OD X 2" |
| 14 | 2 | RG31 | BUSHING 5/8" ID X 7/8" OD X 1" |
| 15 | 1 | BFR240 | POLE LATCH SPRING |
| 16 | 1 | BFR241 | ADJUSTMENT HANDLE |
| 17 | 1 | RG85 | POLE PIN |
| 18 | 2 | RG89 | FRONT SPINDLE CAP |
| 19 | 2 | RG90 | POLY WASHER |
| 20 | 4 | RGT3 | BUSHING 1-49/64" ID X 2" OD X 2" |
| 21 | 2 | RG88 | 1/16" THRUST WASHER |
| 22 | 2 | RG87 | 1/8" BRONZE THRUST WASHER |
| 23 | 2 | RG98 | SEAL |
| 24 | 2 | RG99 | INNER BEARING |
| 25 | 2 | RG100 | INNER RACE |

FIGURE 5

FRONT AXLE

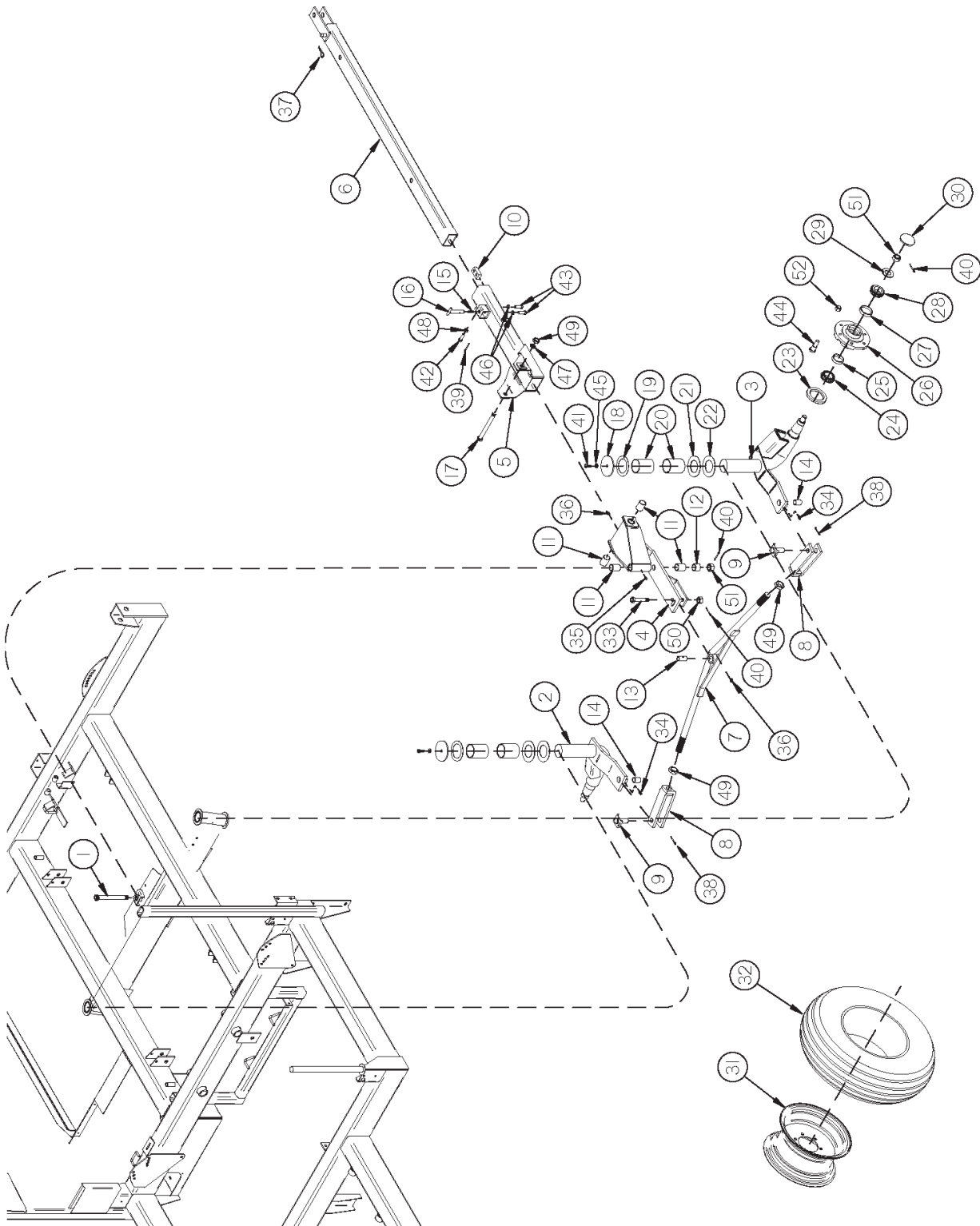


FIGURE 5

FRONT AXLE

| <u>ITEM</u> | <u>QTY</u> | <u>PART #</u> | <u>DESCRIPTION</u> |
|-------------|------------|---------------|---|
| 26 | 2 | RG101 | HUB 6-BOLT |
| 27 | 2 | RG47 | OUTER RACE |
| 28 | 2 | RG48 | OUTER BEARING |
| 29 | 2 | RG182 | WASHER |
| 30 | 2 | RG103 | HUB CAP |
| 31 | 4 | 12N24 | WHEEL 6-BOLT |
| 32 | 4 | UR2 | TIRE 11L X 15 |
| * | 1 | 33417 | 11L X 15 8 PLY TIRE AND WHEEL ASSEMBLY |
| 33 | 1 | RG33 | TIE ROD CENTER BOLT |
| 34 | 3 | G89 | 1/4"-28 STRAIGHT GREASE ZERK |
| 35 | 1 | RG51 | 1/4"-28 90° GREASE ZERK #1911 |
| 36 | 2 | RG21 | 1/4"-28 45° GREASE ZERK #1637 |
| 37 | 1 | YPHR02010 | HAIR PIN, #21-07 |
| 38 | 2 | YPCT05015 | COTTER PIN, 5/32" X 1-1/4" |
| 39 | 2 | YPCT05010 | COTTER PIN, 5/32" X 1-1/2" |
| 40 | 4 | YPCT05025 | COTTER PIN, 5/32" X 2" |
| 41 | 2 | YBHH12010 | BOLT, 3/8" X 1" GR. 5 |
| 42 | 1 | YBHH16025 | BOLT, 1/2" X 1-1/2" GR. 2 |
| 43 | 2 | YBHH20010 | BOLT, 5/8" X 1-1/2" GR. 5 |
| 44 | 12 | YBSD20010 | STUD BOLT, 1/2"-20 UNF X 1-7/8" (3/4" SHOULDER) |
| 45 | 5 | YWLO12005 | WASHER, LOCK, 3/8" |
| 46 | 2 | YWLO20005 | WASHER, LOCK, 5/8" |
| 47 | 1 | YWSI28005 | STAR WASHER 7/8" |
| 48 | 1 | YNHX16005 | HEX NUT, 1/2" |
| 49 | 3 | YNJM28005 | HEX NUT, JAM, 7/8"-14 |
| 50 | 1 | YNL24005 | HEX NUT, SLOTTED, 3/4"-10 |
| 51 | 3 | YNL28005 | HEX NUT, SLOTTED, 7/8"-14 |
| 52 | 12 | YNWL16005 | WHEEL NUT, 1/2"-20 UNF |

NOTE: * MEANS NOT SHOWN

FIGURE 6

BALE PUSHER

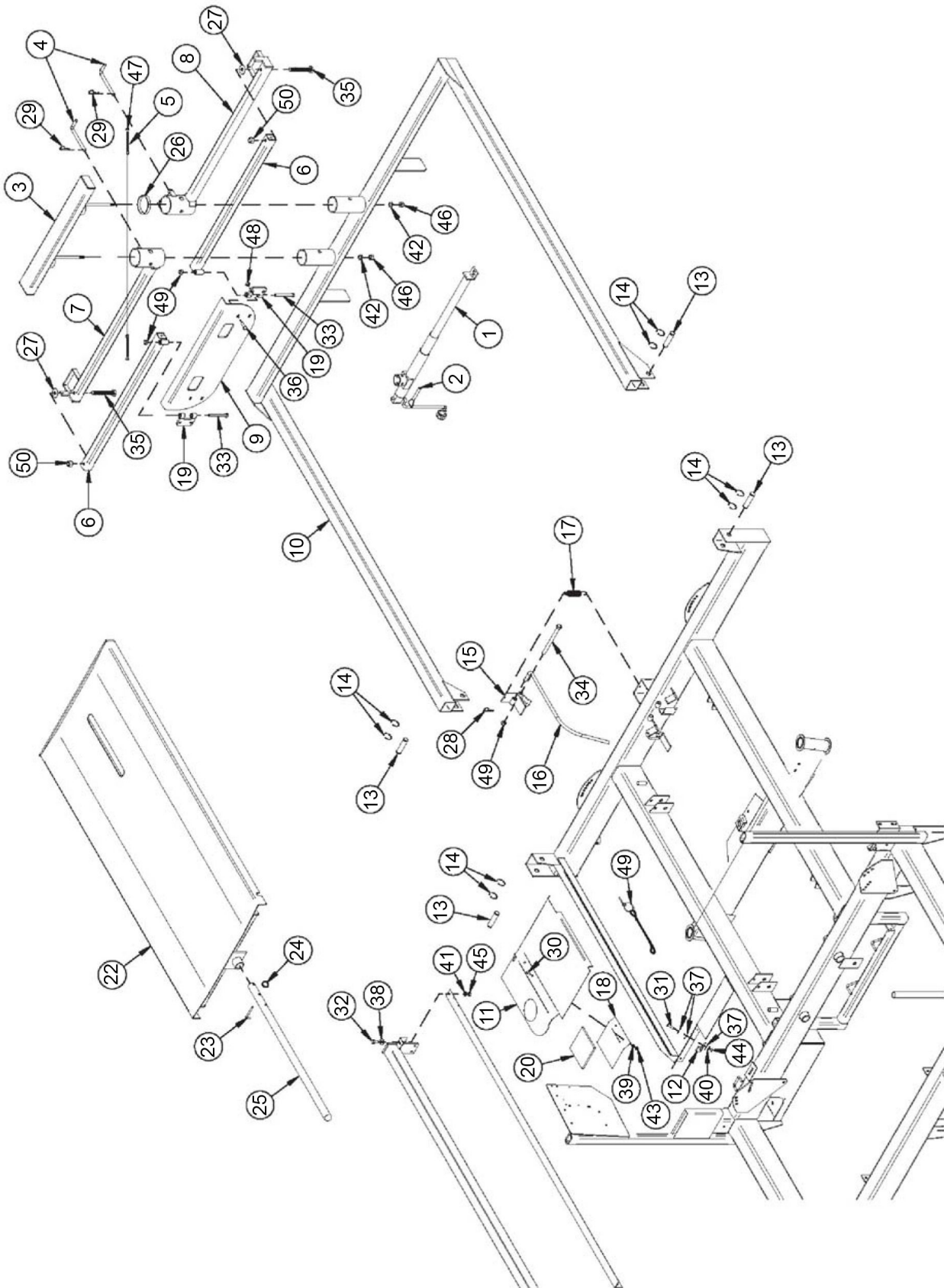


FIGURE 6

BALE PUSHER

| <u>ITEM</u> | <u>QTY</u> | <u>PART #</u> | <u>DESCRIPTION</u> |
|-------------|------------|---------------|------------------------------|
| 1 | 1 | LW17 | STEERING JACK |
| 2 | 1 | 12N13 | JACK PIN W/ CHAIN |
| 3 | 1 | LW69 | PUSHER TOP |
| 4 | 2 | LW21 | PUSHER PINS |
| 5 | 1 | LW71 | TIMING CHAIN |
| 6 | 2 | LW70 | PUSH-OFF SECONDARY |
| 7 | 1 | LW4 | PUSH-OFF PRIMARY LH |
| 8 | 1 | LW5 | PUSH-OFF PRIMARY RH |
| 9 | 1 | LW344 | PUSH-OFF PLATE |
| 10 | 1 | LW3 | PUSHER |
| 11 | 1 | LW33 | ENGINE COVER |
| 12 | 1 | LW46 | ENGINE SHIELD CLIP |
| 13 | 4 | LW58 | PUSHER CYLINDER PIN |
| 14 | 8 | 3G21 | 1" EXTERNAL SNAP RING |
| 15 | 1 | LW18 | START TRIGGER PIVOT |
| 16 | 1 | LW19 | START TRIGGER ARM |
| 17 | 1 | R27 | START TRIGGER SPRING |
| 18 | 1 | LW168 | HEAT SHIELD |
| 19 | 2 | LW345 | PUSHER HINGE TAB |
| 20 | 1 | MS22 | FLAME RETARDANT PAD |
| 21 | 1 | S122 | CLIP PIN W/ LANYARD |
| 22 | 1 | LW198 | RISER SHELF (OPTIONAL) |
| 23 | 1 | LW169 | FORK PIN (OPTIONAL) |
| 24 | 1 | LW170 | CIRCLE COTTER PIN (OPTIONAL) |
| 25 | 1 | LWSH23 | ROUND FORK (OPTIONAL) |

FIGURE 6

BALE PUSHER

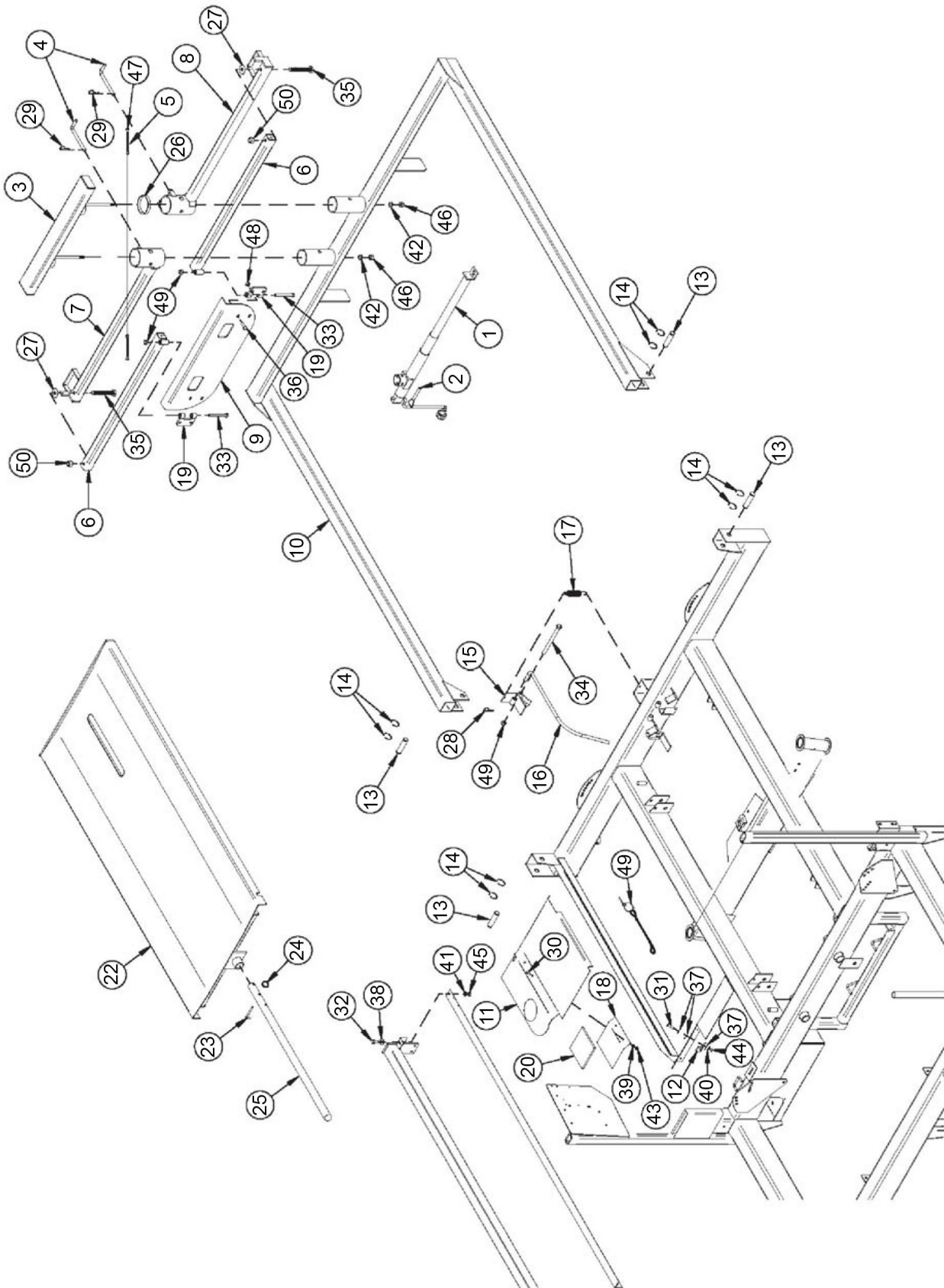


FIGURE 6

BALE PUSHER

| <u>ITEM</u> | <u>QTY</u> | <u>PART #</u> | <u>DESCRIPTION</u> |
|-------------|------------|---------------|---|
| 26 | 1 | LW284 | PUSHER SPACER |
| 27 | 2 | LW376 | PUSH-OFF WASHER |
| 28 | 1 | YPHR02005 | HAIR PIN, #21-05 (1-7/8" LONG) |
| 29 | 2 | YPHR02010 | HAIR PIN, #21-07 |
| 30 | 2 | YBHH08100 | BOLT, 1/4" X 3/4" GR. 5 |
| 31 | 1 | YBHH10045 | BOLT, 5/16" X 1-1/4" GR. 5 |
| 32 | 1 | YBHH12135 | BOLT, 3/8" X 3/4" GR. 5 |
| 33 | 2 | YBHH16150 | BOLT, 1/2" X 4-3/4" GR. 5 |
| 34 | 1 | YBHH16165 | BOLT, 1/2" X 6" GR. 5 |
| 35 | 2 | YBHH20075 | BOLT, 5/8" X 4-3/4" GR. 5 |
| 36 | 4 | YBCR12010 | CARR. BOLT, 3/8" X 1" GR. 5 |
| 37 | 3 | YWFL08005 | WASHER, FLAT, 1/4" USS |
| 38 | 1 | YWFL12005 | WASHER, FLAT, 3/8" USS |
| 39 | 2 | YWLO08005 | WASHER, LOCK, 1/4" |
| 40 | 1 | YWLO10005 | WASHER, LOCK, 5/16" |
| 41 | 1 | YWLO12005 | WASHER, LOCK, 3/8" |
| 42 | 2 | YWLO16005 | WASHER, LOCK, 1/2" (USED ON STANDARD MODEL) |
| 43 | 2 | YNHX08005 | HEX NUT, 1/4"-20 |
| 44 | 1 | YNHX10005 | HEX NUT, 5/16" |
| 45 | 1 | YNHX12005 | HEX NUT, 3/8"-16 |
| 46 | 2 | YNHX16005 | HEX NUT, 1/2" (USED ON STANDARD MODEL) |
| 47 | 2 | YNNY12005 | HEX NUT, NYLON LOCKNUT, 3/8" |
| 48 | 4 | YNRL12005 | HEX NUT, REVERSIBLE-SIDE LOCK, 3/8"-16 |
| 49 | 3 | YNTL16005 | HEX NUT, TOP LOCK, 1/2"-13 |
| 50 | 2 | YNTL20005 | HEX NUT, TOP LOCK, 5/8"-11 |
| * | 2 | YNTJ16005 | HEX NUT, TOP LOCK, JAM, 1/2"-13 (USED WITH OPTIONAL RISER SHELF ONLY - REPLACES ITEM 40 & 44) |

NOTE: * MEANS NOT SHOWN

FIGURE 7

HONDA ENGINE

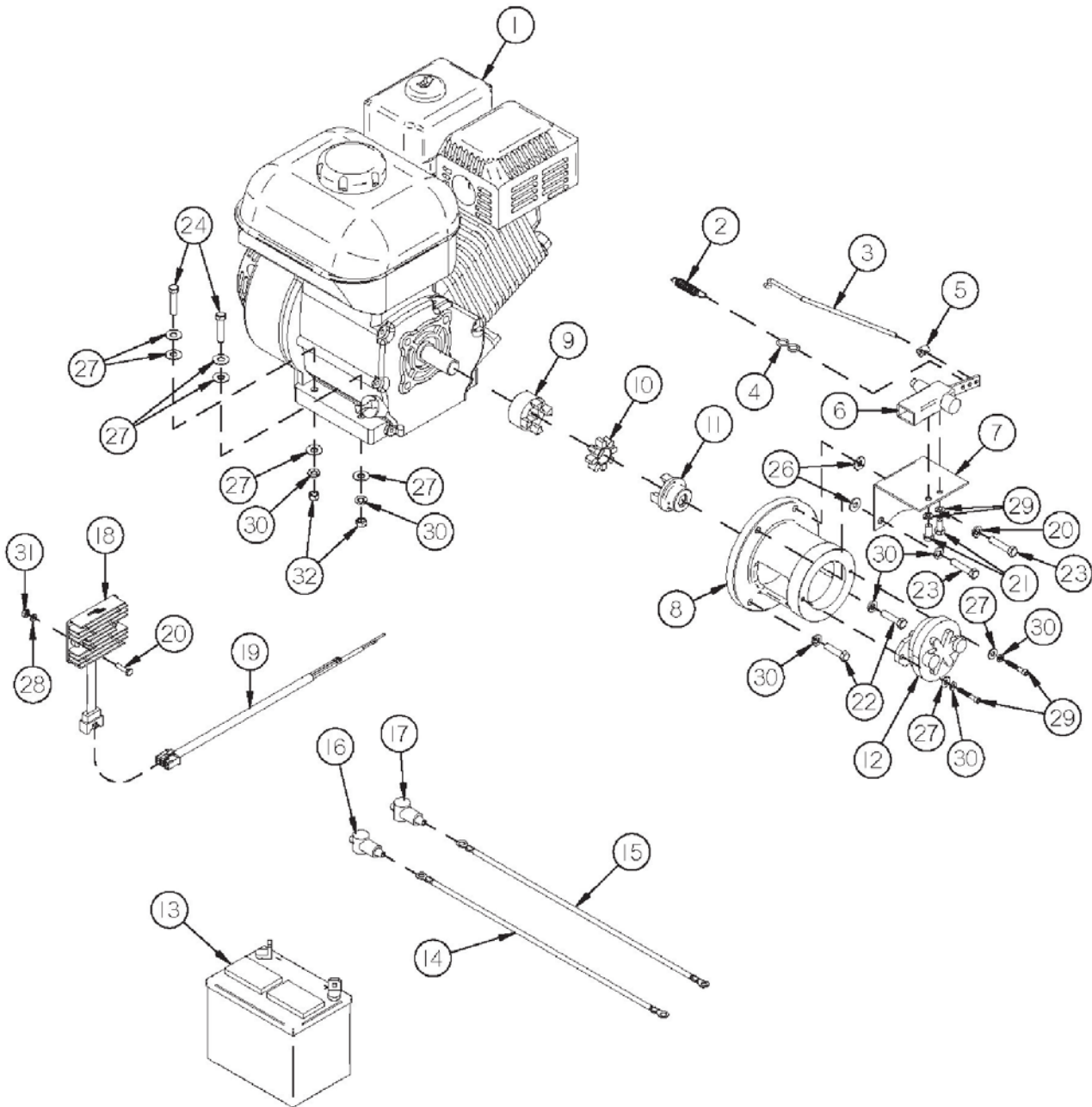


FIGURE 7

HONDA ENGINE

| <u>ITEM</u> | <u>QTY</u> | <u>PART #</u> | <u>DESCRIPTION</u> |
|-------------|------------|---------------|--------------------------------------|
| 1 | 1 | LW73 | 13 HP GAS ENGINE |
| 2 | 1 | 23N284 | THROTTLE RETURN SPRING |
| 3 | 1 | LW59 | THROTTLE LINKAGE |
| 4 | 1 | X79 | S-HOOK |
| 5 | 1 | LW62 | THROTTLE LINKAGE COLLAR |
| 6 | 1 | LW302 | THROTTLE ADVANCE |
| * | 1 | LW342 | THROTTLE ADVANCE W/ HEAVY SPRING |
| 7 | 1 | LW47 | THROTTLE ADVANCE BRACKET |
| 8 | 1 | LW300 | ENGINE/PUMP ADAPTER |
| 9 | 1 | LW301 | COUPLING HUB - ENGINE |
| 10 | 1 | LW287 | COUPLING INSERT |
| 11 | 1 | LW286 | COUPLING HUB - PUMP |
| 12 | 1 | LW299 | HYDRAULIC PUMP |
| 13 | 1 | LW166 | BATTERY |
| 14 | 1 | LW171 | BATTERY CABLE - RED |
| 15 | 1 | LW172 | BATTERY CABLE - BLACK |
| 16 | 1 | LW173 | TERMINAL COVER - RED |
| 17 | 1 | LW177 | TERMINAL COVER - BLACK |
| 18 | 1 | LW223 | REGULATOR (HONDA) |
| 19 | 1 | 8598 | VOLTAGE REGULATOR CORD |
| * | 1 | LW335 | HONDA IGNITION SWITCH |
| * | 1 | LW167 | KEY |
| 20 | 2 | YBHH08010 | BOLT, 1/4" X 1" GR. 5 |
| 21 | 2 | YBHH10020 | BOLT, 5/16" X 1/2" GR. 5 |
| 22 | 2 | YBHH12025 | BOLT, 3/8" X 1-1/2" GR. 5 |
| 23 | 2 | YBHH12060 | BOLT, 3/8" X 1-3/4" GR. 5 |
| 24 | 4 | YBHH12075 | BOLT, 3/8" X 2" GR. 5 |
| 25 | 2 | YSHS12005 | SOCKET HEAD CAP SCREW, 3/8" X 1-1/4" |
| 26 | 2 | YWFL10005 | WASHER, FLAT, 5/16" USS |
| 27 | 8 | YWFL12005 | WASHER, FLAT, 3/8" USS |
| 28 | 2 | YWLO08005 | WASHER, LOCK, 1/4" |
| 29 | 2 | YWLO10005 | WASHER, LOCK, 5/16" |
| 30 | 10 | YWLO12005 | WASHER, LOCK, 3/8" |
| 31 | 2 | YNHX08005 | HEX NUT, 1/4"-20 |
| 32 | 4 | YNTL12005 | HEX NUT, TOP LOCK, 3/8"-16 |

NOTE: * MEANS NOT SHOWN

FIGURE 8

HYDRAULICS

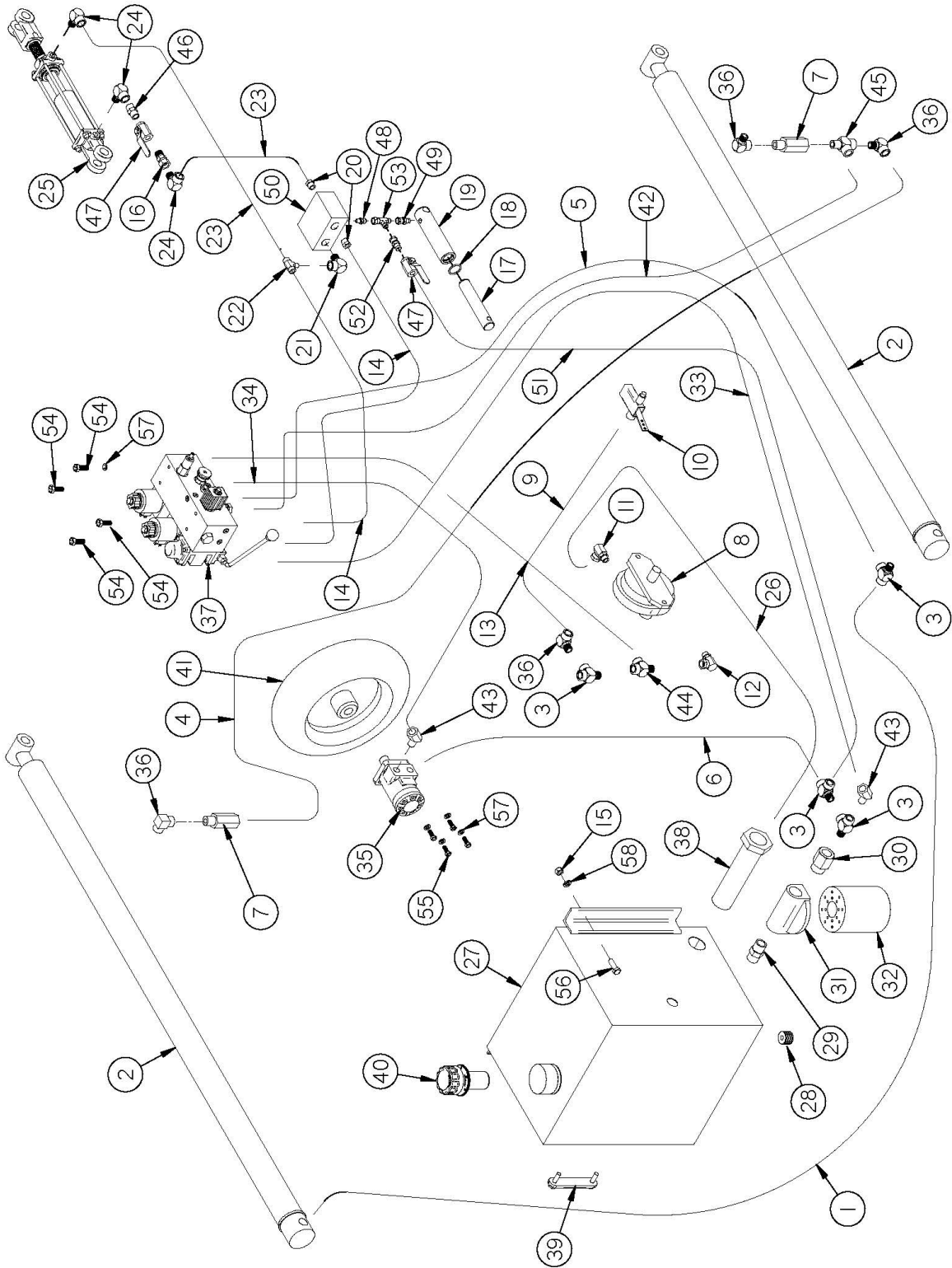


FIGURE 8

HYDRAULICS

| <u>ITEM</u> | <u>QTY</u> | <u>PART #</u> | <u>DESCRIPTION</u> |
|-------------|------------|---------------|---------------------------------|
| 1 | 1 | LW86 | HOSE 1/2" X 97" |
| 2 | 2 | LW102 | HYDRAULIC CYLINDER 2-1/2" X 84" |
| 3 | 5 | LW96 | TEE 1/2" |
| 4 | 1 | LW83 | HOSE 1/2" X 115" |
| 5 | 1 | LW84 | HOSE 1/2" X 108" |
| 6 | 1 | LW144 | HOSE 1/2" X 40" |
| 7 | 2 | 58773 | .109 RESTRICTOR CHECK VALVE |
| 8 | 1 | LW299 | HYDRAULIC PUMP |
| 9 | 1 | LW91 | HOSE 1/4" X 16" |
| 10 | 1 | LW302 | THROTTLE ADVANCE |
| 11 | 1 | LW291 | 1-1/16" O-RING ADAPTER |
| 12 | 1 | LW95 | 5/8" O-RING ADAPTER |
| 13 | 1 | LW88 | HOSE 1/2" X 49" |
| 14 | 2 | LW81 | HOSE 1/4" X 102" |
| 15 | 1 | YNHX16005 | HEX NUT, 1/2 |
| 16 | 1 | 58720 | 3/8" MALE ADPTER WITH ORIFICE |
| 17 | 1 | BFR114 | PISTON |
| 18 | 1 | S99 | BRAKE CYLINDER O-RING |
| 19 | 1 | BFR116 | HYDRAULIC CYLINDER BUSHING |
| 20 | 2 | 1098 | 3/8" TO 1/4" |
| 21 | 1 | 53435 | STREET ELBOW |
| 22 | 1 | 53436 | MALE BRANCH TEE |
| 23 | 2 | LW80 | HOSE 1/4" X 57" |
| 24 | 3 | 23N234 | 3/8" STREET ELBOW |
| 25 | 1 | T188A | 2-1/2" X 8" HYDRAULIC CYLINDER |
| 26 | 1 | LW90 | HOSE 3/4" X 56" |
| 27 | 1 | LW106 | 15 GALLON HYDRAULIC TANK |
| 28 | 1 | LW97 | 3/4" NPT PLUG |
| 29 | 1 | LW98 | 3/4" CLOSE NIPPLE |
| 30 | 1 | LW99 | 3/4" ADAPTER TO 1/2" HYDRAULIC |
| 31 | 1 | LW288 | FILTER HEAD |

FIGURE 8

HYDRAULICS

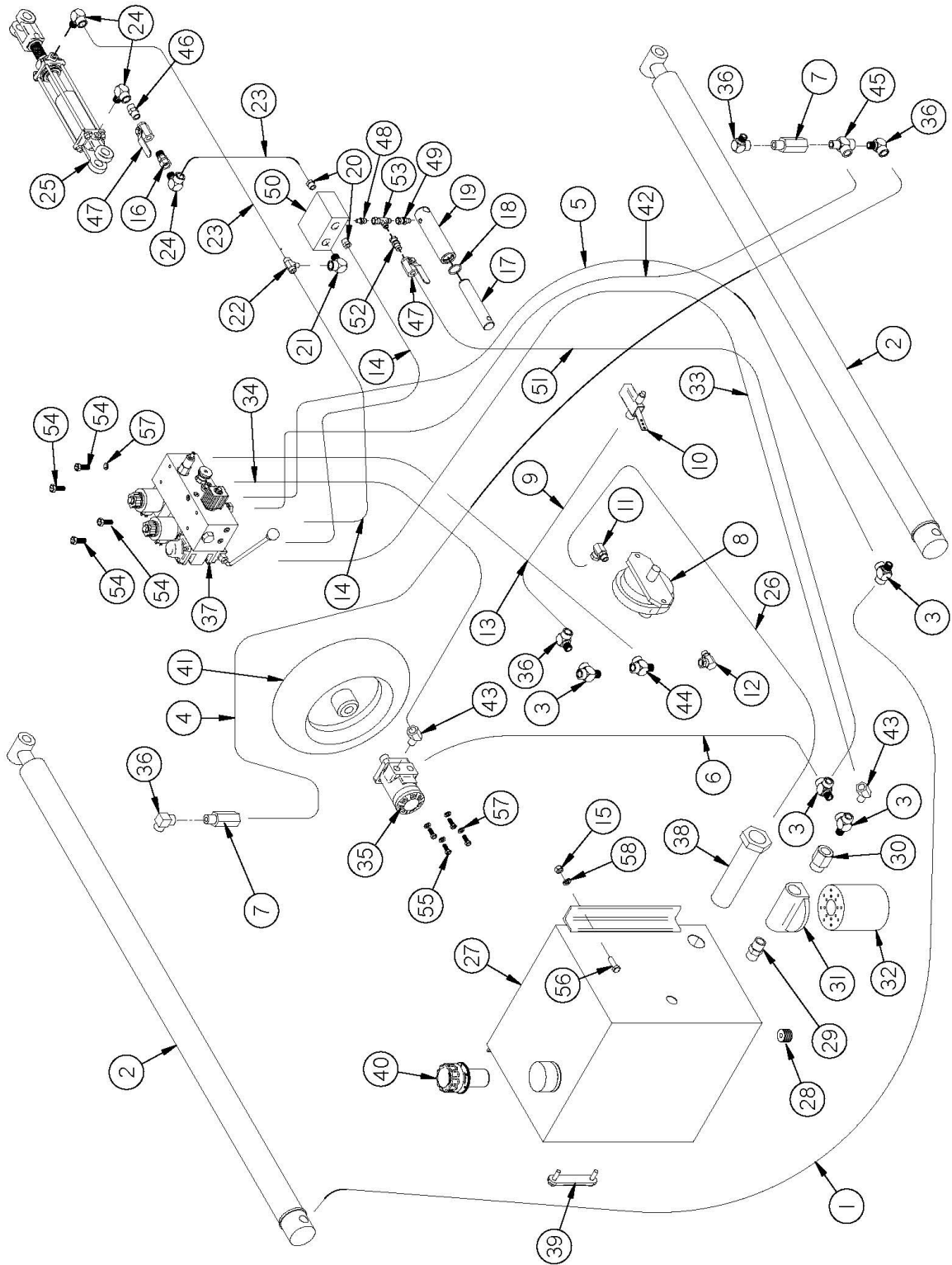


FIGURE 8

HYDRAULICS

| <u>ITEM</u> | <u>QTY</u> | <u>PART#</u> | <u>DESCRIPTION</u> |
|-------------|------------|--------------|----------------------------------|
| 32 | 1 | LW289 | HYDRAULIC FILTER ELEMENT |
| 33 | 1 | LW89 | HOSE 1/2" X 96" |
| 34 | 1 | LW87 | HOSE 1/2" X 72" |
| 35 | 1 | DF1B | HYDRAULIC MOTOR |
| 36 | 4 | HE58 | 1/2" STREET ELBOW |
| 37 | 1 | LW366 | MAIN VALVE |
| 38 | 1 | LW137 | HYDRAULIC TANK STRAINER |
| 39 | 1 | LW138 | HYDRAULIC TANK GAUGE |
| 40 | 1 | LW139 | HYDRAULIC TANK FILL |
| 41 | 1 | LW113A | DRIVE WHEEL |
| 42 | 1 | 50N18 | HOSE 1/2" X 40" WITH O-RING |
| 43 | 2 | LW187 | ELBOW, STREET, 1/2", 45 DEGREE |
| 44 | 1 | LW347 | 1/2" SERVICE TEE W/ CHAMFER |
| 45 | 1 | DF8 | 1/2" TEE |
| 46 | 1 | 16SV351 | 3/8" NIPPLE WITH NUT |
| 47 | 2 | 16SV338 | 3/8" BALL VALVE |
| 48 | 1 | 53430 | MALE CONNECTOR 37 DEGREES FLARE |
| 49 | 1 | 53428 | MALE CONNECTOR 37 DEGREES SWIVEL |
| 50 | 1 | WM176 | LOCK VALVE |
| 51 | 1 | 54110 | HYD HOSE, 3/8" X 130" |
| 52 | 1 | CHM266 | CONNECTOR SWIVEL MALE |
| 53 | 1 | CHM242 | TEE |
| 54 | 4 | YBHH12135 | BOLT, 3/8" X 3/4" GR. 5 |
| 55 | 4 | YBHH12010 | BOLT, 3/8" X 1" GR. 5 |
| 56 | 4 | YBHH16030 | BOLT 1/2" X 1-1/2" GR. 5 |
| 57 | 8 | YWLO12005 | WASHER, LOCK, 3/8" |
| 58 | 4 | YWLO16005 | WASHER, LOCK, 1/2" |

FIGURE 9

ELECTRICAL

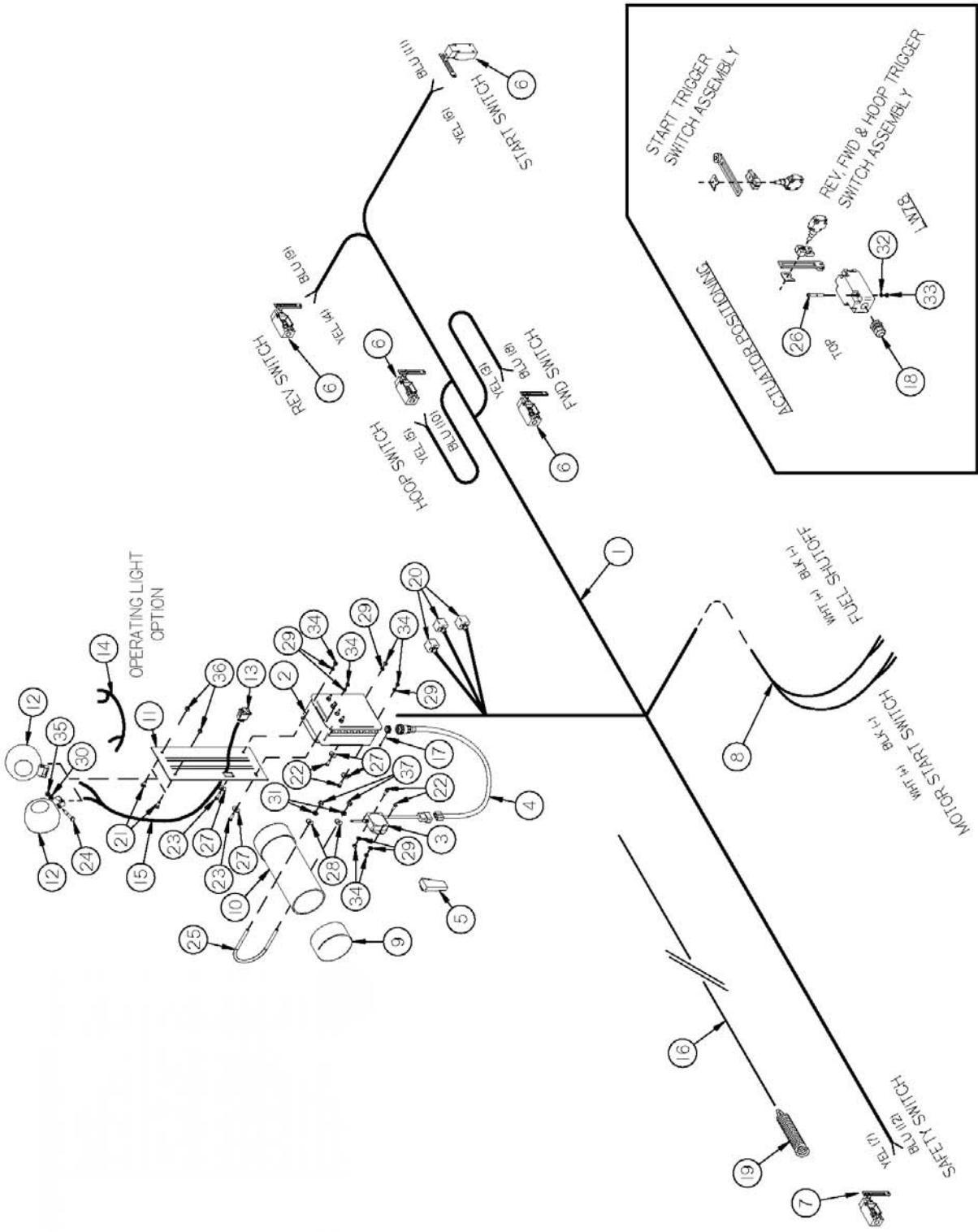


FIGURE 9

ELECTRICAL

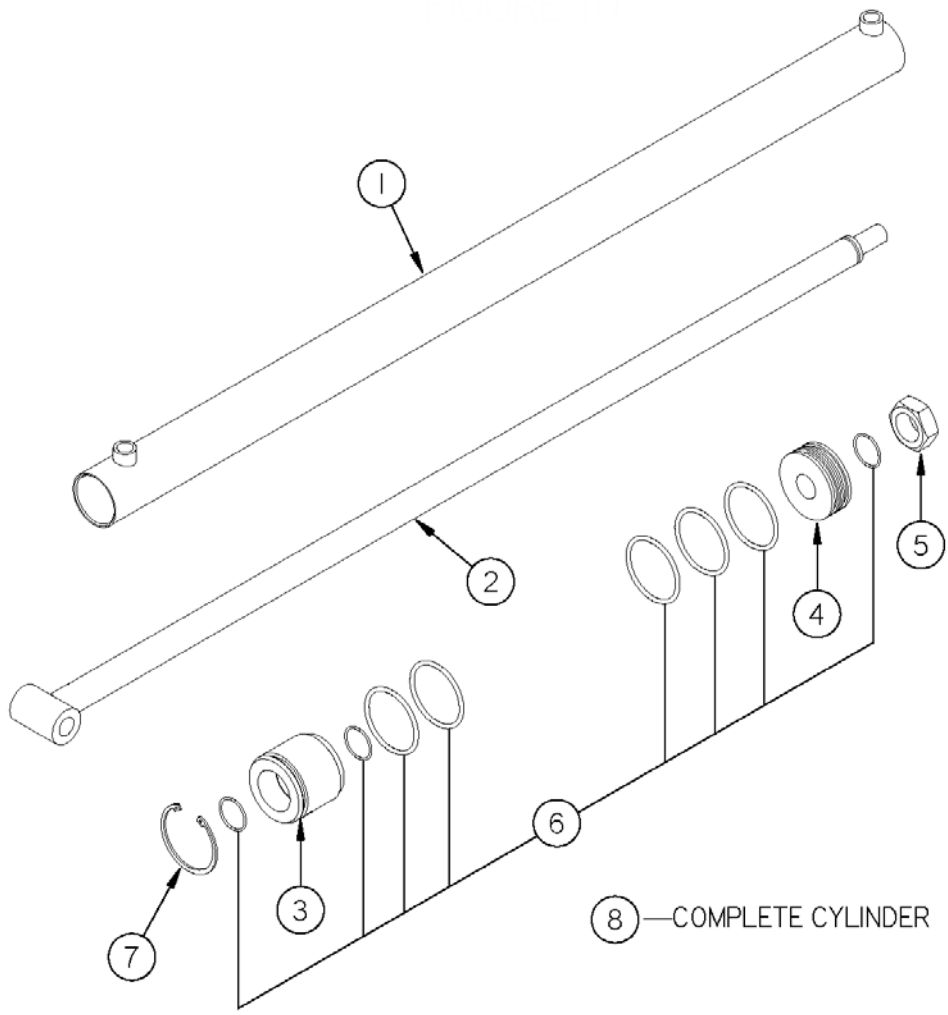
| <u>ITEM</u> | <u>QTY</u> | <u>PART #</u> | <u>DESCRIPTION</u> |
|-------------|------------|---------------|--|
| 1 | 1 | LW72 | MAIN WIRING HARNESS |
| 2 | 1 | LW74 | MAIN CONTROL BOX |
| 3 | 1 | LW282 | REMOTE BOX |
| 4 | 1 | LW76 | REMOTE CORD |
| 5 | 1 | LW281 | REMOTE |
| 6 | 4 | LW78 | MICRO-SWITCH - OTHER |
| 7 | 1 | LW141 | MICRO-SWITCH - SAFETY |
| 8 | 1 | LW249 | ENGINE POWER HARNESS (HONDA ONLY) |
| 9 | 1 | LW146 | MANUAL HOLDER CAP |
| 10 | 1 | LW145 | MANUAL HOLDER |
| 11 | 1 | LW149 | OPERATING LIGHT BRACKET (OPTION) |
| 12 | 2 | LW150 | LIGHT (OPTION) |
| 13 | 1 | LW151 | LIGHT SWITCH (OPTION) |
| 14 | 1 | LW152 | BRACKET WIRING HARNESS (OPTION) |
| 15 | 1 | LW153 | LIGHT WIRING HARNESS (OPTION) |
| 16 | 1 | LW39 | SAFETY STOP CABLE |
| 17 | 1 | LW177 | TERMINAL COVER |
| 18 | 5 | GD23 | STRAIN RELIEF CONNECTOR |
| * | 5 | 56120 | STRAIN RELIEF LOCK NUT, 1/2" |
| 19 | 1 | LW111 | SAFETY CABLE SPRING |
| 20 | 3 | LW285 | DIN CONNECTOR |
| 21 | 2 | YBCR10030 | CARR. BOLT, 5/16" X 3/4" GR. 5 |
| 22 | 2 | YBHH08100 | BOLT, 1/4" X 3/4" GR. 5 |
| 23 | 2 | YBHH08010 | BOLT, 1/4" X 1" GR. 5 |
| 24 | 2 | YBHH10070 | BOLT, 5/16" X 2" GR. 5 |
| 25 | 1 | YBPU12040 | PIPE U BOLT, 3/8" X 4-1/2" X 6" |
| 26 | 10 | YSHS64010 | SOCKET HEAD CAP SCREW, #10-32 X 1-3/4" |
| 27 | 4 | YWFL08005 | WASHER, FLAT, 1/4" USS |
| 28 | 2 | YWFL12005 | WASHER, FLAT, 3/8" USS |
| 29 | 6 | YWLO08005 | WASHER, LOCK, 1/4" |
| 30 | 2 | YWLO10005 | WASHER, LOCK, 5/16" |
| 31 | 2 | YWLO12005 | WASHER, LOCK, 3/8" |
| 32 | 10 | YWSI64005 | WASHER, LOCK, STAR, INTERNAL/EXTERNAL, #10 |
| 33 | 10 | YNHX64005 | HEX NUT, #10-32 |
| 34 | 6 | YNHX08005 | HEX NUT, 1/4"-20 |
| 35 | 2 | YNHX10005 | HEX NUT, 5/16" |
| 36 | 2 | YNTL10005 | HEX NUT, TOP LOCK, 5/16"-18 |
| 37 | 2 | YNHX12005 | HEX NUT, 3/8"-16 |

REMOTE CONTROL KIT -

INCLUDES ITEMS **LW224** **NOT SHOWN: SWITCHES (TOGGLE) FOR CONTROL BOX**
#3 **LW200 - 3 WAY MOMENTARY SWITCH (PUSHER)**
#4 **LW201 - 3 WAY SWITCH (REMOTE)**
#5 **LW202 - 2 WAY SWITCH 1-START RESET - 1-MANUAL HOOP**
#10
#11
ALSO 4 PCS #10-32MM BOLTS

FIGURE 10

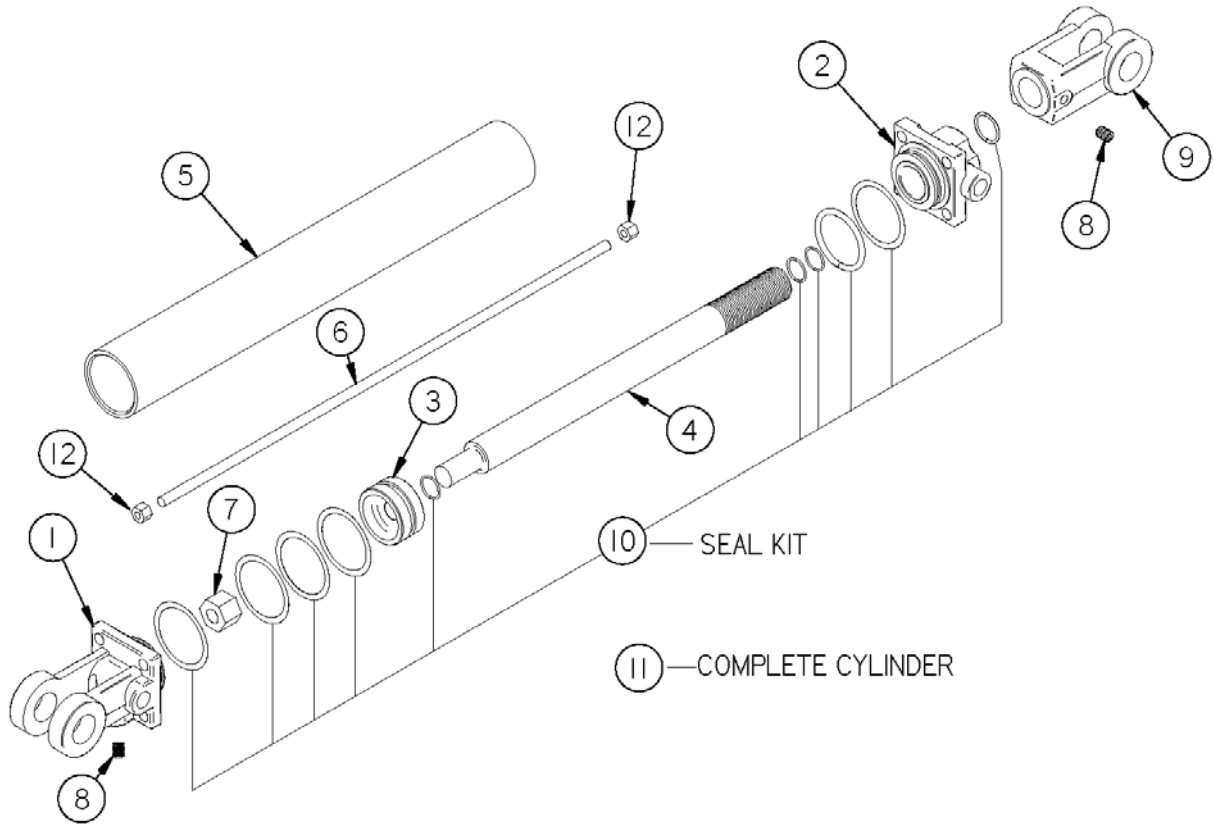
HYDRAULIC PUSHER CYLINDER



| <u>ITEM</u> | <u>QTY</u> | <u>PART #</u> | <u>DESCRIPTION</u> |
|-------------|------------|---------------|--------------------|
| 1 | 1 | LW188 | CASE WELDMENT |
| 2 | 1 | LW189 | ROD WELDMENT |
| 3 | 1 | LW190 | HEAD GLAND |
| 4 | 1 | LW191 | PISTON |
| 5 | 1 | LW192 | COUPLER |
| 6 | 1 | LW193 | SEAL KIT |
| 7 | 1 | LW194 | SNAP RING |
| 8 | 1 | LW102 | COMPLETE CYLINDER |

FIGURE 11

HYDRAULIC TAIL CYLINDER



| <u>ITEM</u> | <u>QTY</u> | <u>PART #</u> | <u>DESCRIPTION</u> |
|-------------|------------|---------------|--------------------|
| 1 | 1 | T181A | CLEVIS CAP |
| 2 | 1 | T182A | ROD CAP |
| 3 | 1 | T183 | PISTON |
| 4 | 1 | T184A | ROD |
| 5 | 1 | T185 | CYLINDER TUBE |
| 6 | 4 | T186 | TIE ROD |
| 7 | 1 | 23N148 | PISTON NUT |
| 8 | 2 | 23N149 | PLUG |
| 9 | 1 | 23N150A | ROD CLEVIS |
| 10 | 1 | T187 | SEAL KIT |
| 11 | 1 | T188A | COMPLETE CYLINDER |
| 12 | 8 | YNHX12005 | HEX NUT, 3/8"-16 |

FIGURE 12

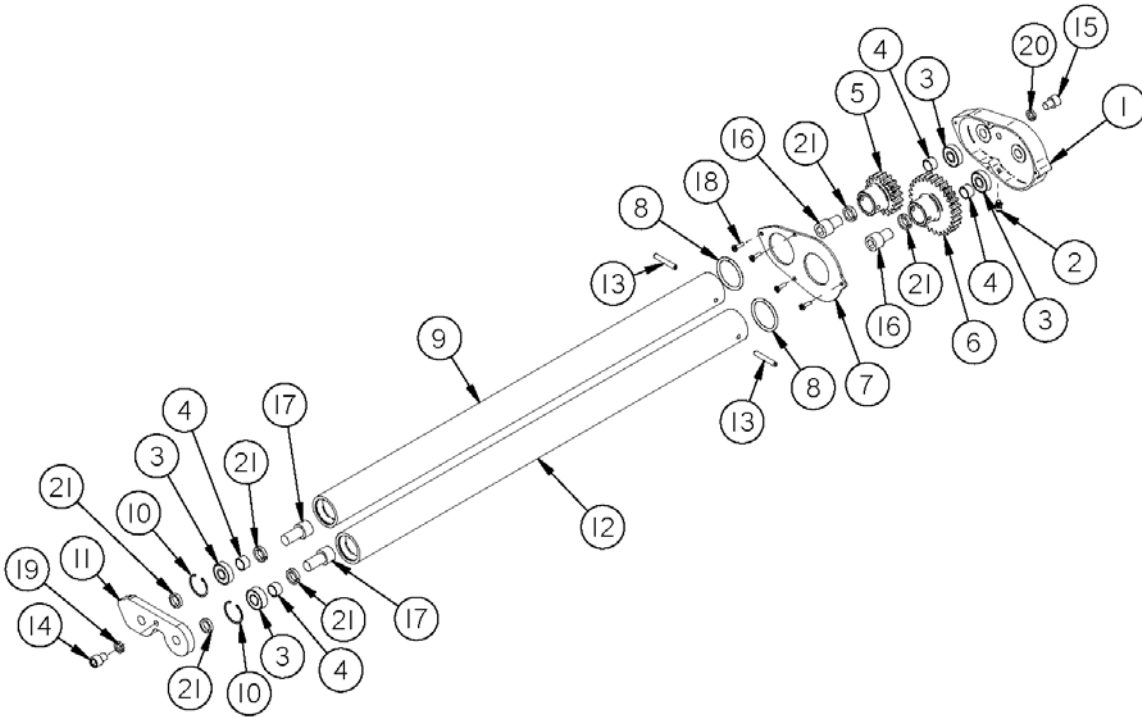
OPTIONAL HYDRAULIC STEERING

| <u>ITEM</u> | <u>QTY</u> | <u>PART #</u> | <u>DESCRIPTION</u> |
|-------------|------------|---------------|--|
| 1 | 1 | LW232 | TRAY |
| 2 | 1 | LW233 | CYLINDER |
| * | 1 | 56315 | CYLINDER (3000 PSI) |
| 3 | 1 | LW234 | STEERING ANGLE |
| 4 | 1 | LW235 | INDICATOR ROD |
| 5 | 1 | T143 | CYLINDER PIN |
| 6 | 2 | T144 | CLIP PINS |
| 7 | 1 | BFR4 | PIN AND CHAIN |
| 8 | 1 | 58722 | 3/8 MALE ADPTER WITH .042 ORIFICE |
| 9 | 4 | YNRL12005 | HEX NUT, REVERSIBLE-SIDE LOCK, 3/8"-16 |
| * | 5 | 8549 | O-RINGS |
| * | 2 | 8059 | LIGHTED DIN CONNECTOR |
| * | 2 | 8550 | DC12V COIL |
| 10 | 1 | 23N234 | 3/8" ELBOW |
| 11 | 1 | LW239 | HOSE 3/8" X 28" (3/4" O-RING 90° SWIVEL X 3/8"MP) |
| 12 | 1 | LW240 | HOSE 3/8" X 20" (3/4" O-RING SWIVEL X 3/8"MP) |
| 13 | 1 | LW367 | STEERING VALVE ASSEMBLY |
| 14 | 1 | LW244 | FEMALE O-RING ADAPTER (1/2"MP TO 3/4" O-RING) |
| 15 | 1 | LW241 | HOSE 1/2" X 120" (1/2"MPX X 3/4" O-RING 90° SWIVEL) |
| 16 | 1 | LW242 | HOSE 1/2" X 127" (3/4" O-RING X 7/8" O-RING 90° SWIVEL) |
| 17 | 1 | LW366 | MAIN VALVE (CURRENTLY ON MACHINE) |
| 18 | 1 | LW245 | UNION ADAPTER (7/8" O-RING MALE TO 1/2"MPT FEMALE UNION ADAPTER) |
| 19 | 1 | HE58 | 1/2" MPT ELBOW |
| 20 | 1 | WM139 | 1/2" TEE |
| 21 | 1 | LW298 | POWER BEYOND PLUG |
| 22 | 1 | LW281 | REMOTE |
| 23 | 1 | LW282 | REMOTE BOX |
| 24 | 1 | LW254 | REMOTE STEERING HARNESS |
| 25 | 1 | 8547 | SUBPLATE |
| 26 | 1 | 8548 | SOLENOID DIRECTIONAL VALVE DC12V |
| 27 | 1 | YBHH12010 | BOLT, 3/8" X 1" GR. 5 |
| 28 | 4 | YBHH12025 | BOLT, 3/8" X 1-1/2" GR. 5 |
| 29 | 4 | YSHS08010 | SOCKET HEAD CAP SCREW, 1/4" X 1-1/4" |
| 30 | 2 | YWFL12005 | WASHER, FLAT, 3/8" USS |
| 31 | 6 | YWLO12005 | WASHER, LOCK, 3/8" |
| 32 | 3 | YNHX12005 | HEX NUT, 3/8"-16 |

NOTE: * MEANS NOT SHOWN

FIGURE 13

LINEWRAP TENSION HEAD

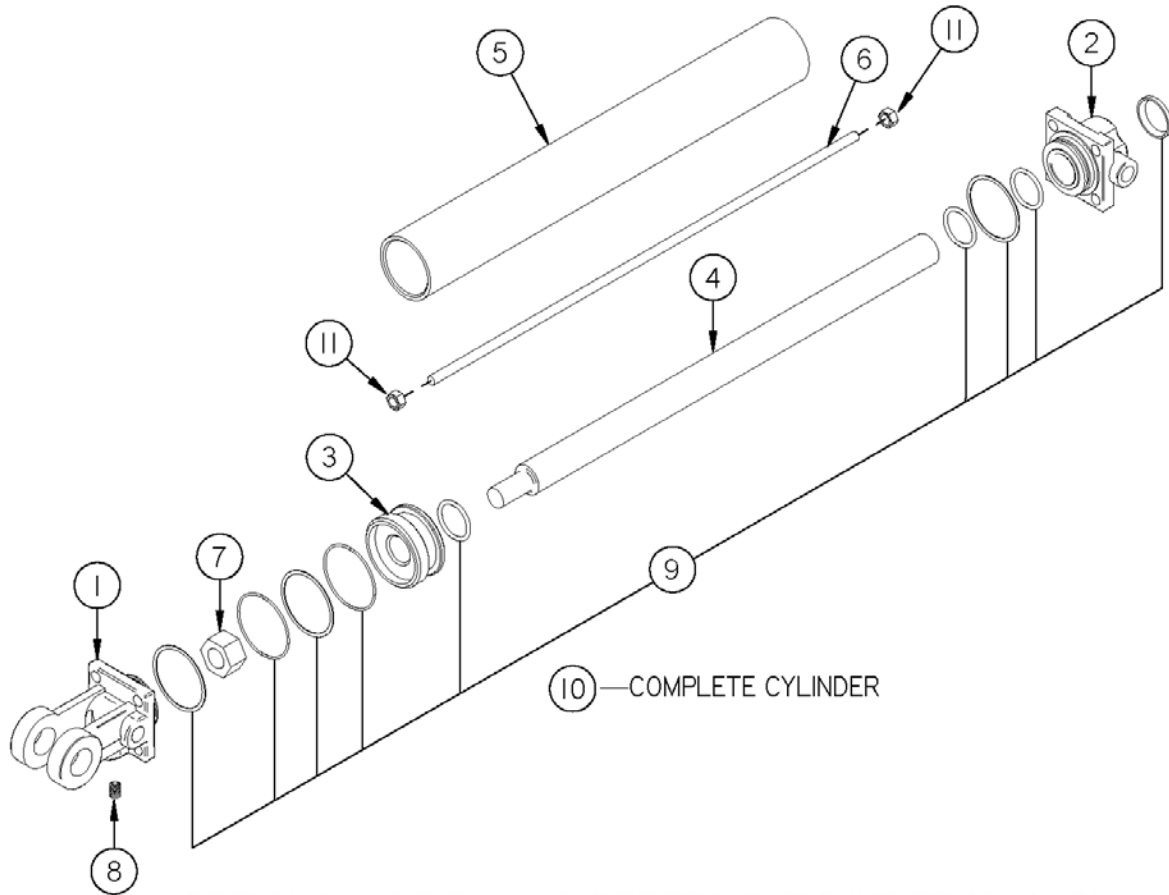


| <u>ITEM</u> | <u>QTY</u> | <u>PART #</u> | <u>DESCRIPTION</u> |
|-------------|------------|---------------|---------------------------------------|
| 1 | 1 | LW257 | GEAR CASE |
| 2 | 1 | G89 | GREASE FITTING |
| 3 | 4 | LW258 | BEARING (99-R12) |
| 4 | 4 | LW259 | BEARING BUSHING |
| 5 | 1 | LW260 | SPUR GEAR (18 TOOTH) |
| 6 | 1 | LW261 | SPUR GEAR (28 TOOTH) |
| 7 | 1 | LW264 | GEAR CASE COVER |
| 8 | 2 | LW266 | O-RING 1-3/4" ID X 2" OD |
| 9 | 1 | LW279 | ROLLER (LARGE) |
| 10 | 2 | LW269 | RETAINING RING |
| 11 | 1 | LW271 | IDLER END PLATE |
| 12 | 1 | LW278 | ROLLER (SMALL) |
| 13 | 2 | YPEX08020 | EXPANSION PIN, 1/4" X 2" |
| 14 | 1 | YSHS12030 | SOCKET HEAD CAP SCREW, 3/8"-24 X 5/8" |
| 15 | 1 | YSHS14005 | SOCKET HEAD CAP SCREW, 7/16" X 1/2" |
| 16 | 2 | YSHS20005 | SOCKET HEAD CAP SCREW, 5/8" X 1" |
| 17 | 2 | YSHS20010 | SOCKET HEAD CAP SCREW, 5/8" X 1-1/4" |
| 18 | 4 | YSMP64005 | 10-32 X 1/2" MACHINE SCREW |
| 19 | 1 | YWHC12005 | WASHER, LOCK, HI COLLAR, 3/8" |
| 20 | 1 | YWHC14005 | WASHER, LOCK, HI COLLAR, 7/16" |
| 21 | 6 | YWHC20005 | WASHER, LOCK, HI COLLAR, 5/8" |
| * | 1 | LW280 | COMPLETE TENSIONER |

NOTE: * MEANS NOT SHOWN

FIGURE 14

OPTIONAL HYDRAULIC STEERING CYLINDER (2 X 16)



| <u>ITEM</u> | <u>QTY</u> | <u>PART #</u> | <u>DESCRIPTION</u> |
|-------------|------------|---------------|--------------------|
| 1 | 1 | 23N142A | CLEVIS CAP |
| 2 | 1 | 23N143A | ROD CAP |
| 3 | 1 | 23N144 | PISTON |
| 4 | 1 | 23N145A | ROD |
| 5 | 1 | 23N146 | CYLINDER TUBE |
| 6 | 4 | 23N147 | TIE ROD |
| 7 | 1 | 23N148 | PISTON NUT |
| 8 | 1 | 23N149 | PLUG |
| 9 | 1 | 23N151 | SEAL KIT |
| 10 | 1 | LW233 | HYDRAULIC CYLINDER |
| 11 | 8 | YNHX12005 | HEX NUT, 3/8"-16 |

FIGURE 15

MAIN VALVE

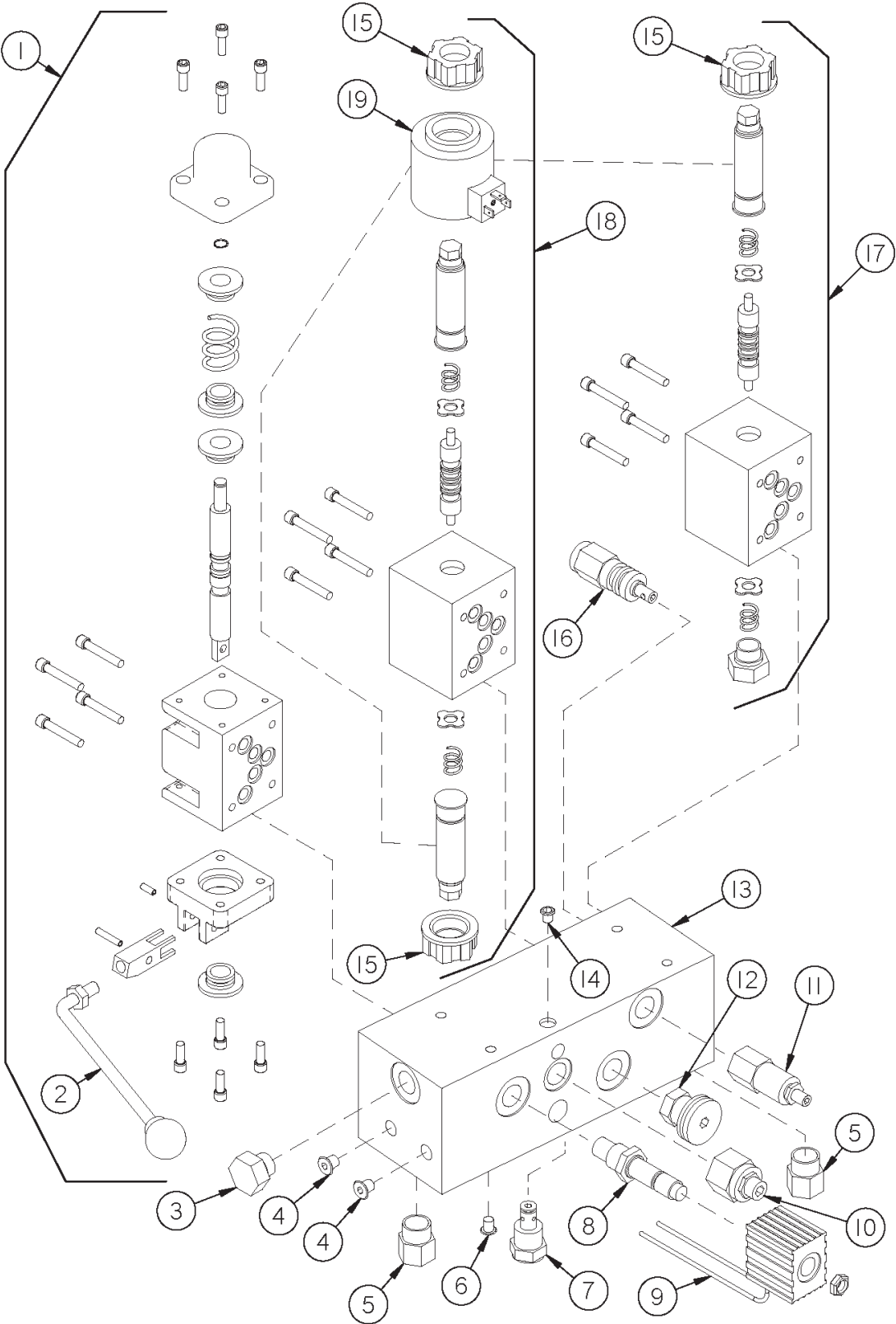


FIGURE 15

MAIN VALVE

| <u>ITEM</u> | <u>QTY</u> | <u>PART #</u> | <u>DESCRIPTION</u> |
|-------------|------------|---------------|------------------------------------|
| 1 | 1 | LW357 | MANUAL SECTION VALVE (COMPLETE) |
| * | 1 | LW358 | MANUAL SECTION SEAL KIT |
| 2 | 1 | LW359 | HANDLE |
| 3 | 1 | LW294 | 7/8" O-RING PLUG |
| 4 | 2 | LW306 | #6 SAE PLUG |
| 5 | 2 | LW307 | 7/8" O-RING TO 3/4" O-RING ADAPTER |
| 6 | 1 | LW308 | #4 SAE PLUG |
| 7 | 1 | LW309 | CHECK VALVE |
| * | 1 | LW310 | CHECK VALVE SEAL KIT |
| 8 | 1 | LW311 | DUMP SOLENOID CORE |
| * | 1 | LW312 | DUMP SOLENOID SEAL KIT |
| 9 | 1 | LW313 | DUMP SOLENOID |
| 10 | 1 | LW314 | SEQUENCE VALVE |
| * | 1 | LW315 | SEQUENCE VALVE SEAL KIT |
| 11 | 1 | LW316 | RELIEF VALVE |
| * | 1 | LW317 | RELIEF VALVE SEAL KIT |
| 12 | 1 | LW318 | NEEDLE VALVE |
| * | 1 | LW319 | NEEDLE VALVE SEAL KIT |
| 13 | 1 | LW320 | VALVE MANIFOLD |
| 14 | 1 | LW321 | #2 SAE PLUG |
| 15 | 3 | LW360 | SOLENOID END CAP |
| 16 | 1 | LW323 | FLOW CONTROL |
| * | 1 | LW324 | FLOW CONTROL SEAL KIT |
| 17 | 1 | LW361 | SINGLE SOLENOID VALVE (COMPLETE) |
| * | 1 | LW362 | SINGLE SOLENOID SEAL KIT |
| 18 | 1 | LW363 | DOUBLE SOLENOID VALVE (COMPLETE) |
| * | 1 | LW364 | DOUBLE SOLENOID SEAL KIT |
| 19 | 3 | LW365 | SOLENOID |
| * | 1 | LW366 | MAIN VALVE (COMPLETE) |

NOTE: * MEANS NOT SHOWN

H&S MFG. CO.

products approved

for the

FEMA

SEAL OF QUALITY

