



# BW1000 LINEWRAP

# PARTS BOOK



Revision #05  
Starting Serial #612458

HSMFG0815

Part #59666

Manufactured By  
**H&S MANUFACTURING CO., INC.**

P.O. BOX 768 (715) 387-3414 FAX (715) 384-5463  
MARSHFIELD, WISCONSIN 54449

# CONTENTS

Instructions for Ordering Parts .....	1
Figure 1 - Main Frame .....	2-3
Figure 2 - Rear Axles/Rollers .....	4-7
Figure 3 - Skid Plates/Shields .....	8-9
Figure 4 - Hoop/Bale Platform/Guides .....	10-13
Figure 5 - Front Axle .....	14-17
Figure 6 - Bale Pusher .....	18-21
Figure 7 - Honda Engine .....	22-23
Figure 8 - Hydraulics .....	24-27
Figure 9 - Electrical .....	28-29
Figure 10 -Hydraulic Pusher Cylinder .....	30
Figure 11 - Hydraulic Tail Cylinder .....	31
Figure 12 - Optional Hydraulic Steering .....	32-33
Figure 13 - Linewrap Tension Head .....	34
Figure 14 - Optional Hydraulic Steering Cylinder .....	35
Figure 15 - Main Valve .....	36-37
Parts Notes .....	38

# **INSTRUCTIONS FOR ORDERING PARTS**

All service parts should be ordered through your authorized H&S dealer. They will be able to give you faster service if you will provide them with the following

1. Model & Serial number are located by the electric control box of your unit.
2. All reference to left or right apply to the machine as viewed from the rear.
3. Parts should not be ordered from illustration only. Please order by complete part number.
4. If your dealer has to order parts - give shipping instructions:

VIA truck - large pieces (please specify local truck lines)

VIA United Parcel Service (include full address)

<b>H&amp;S MFG. CO. INC.</b>	
<b>MARSHFIELD, WIS.</b>	
<b>MOD. NO.</b>	<input type="text"/>
<b>SER. NO.</b>	<input type="text"/>
<b>DESCR.</b>	<input type="text"/>

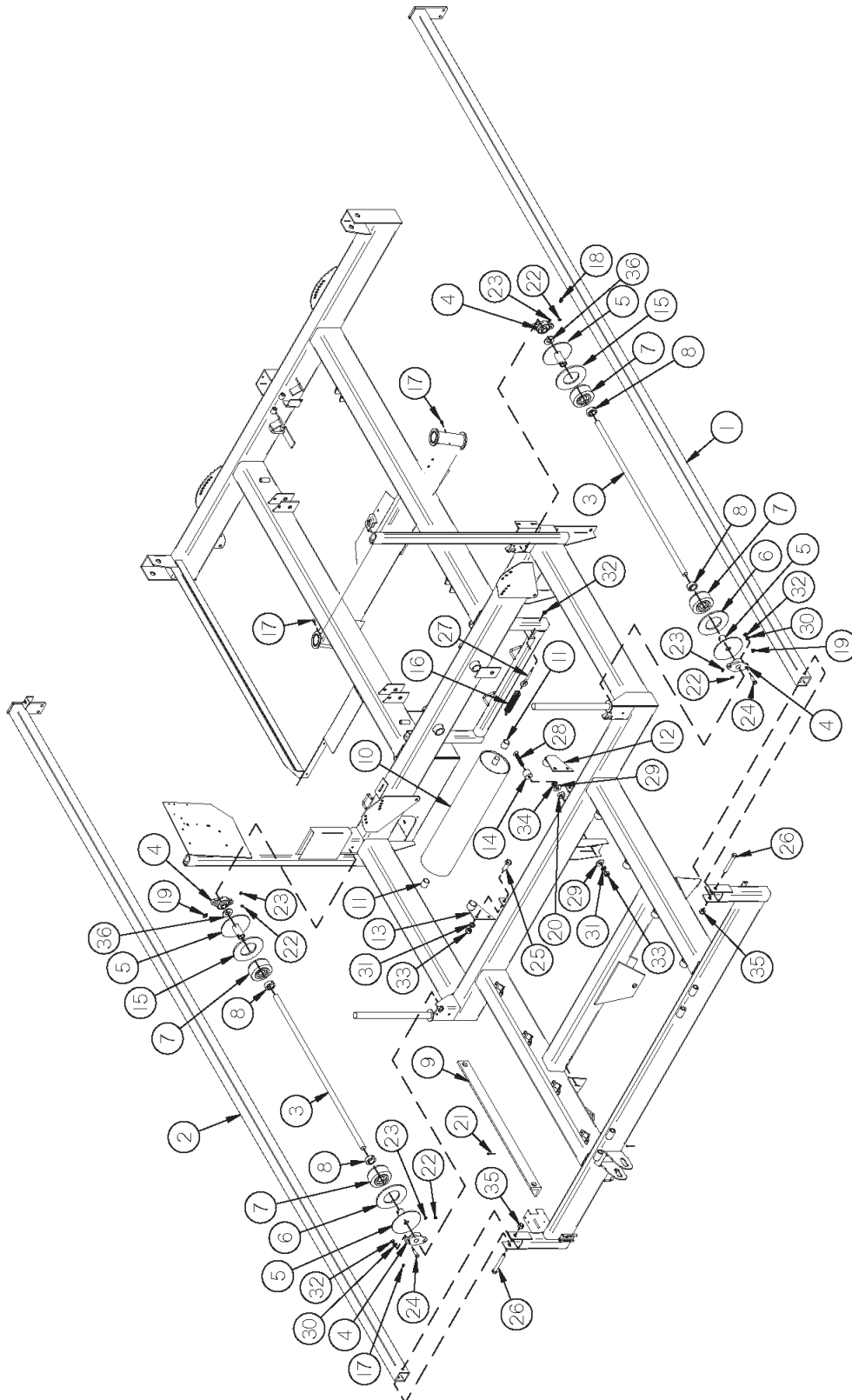
PLEASE RECORD NUMBERS FOR YOUR UNIT FOR QUICK REFERENCE

## **ABOUT IMPROVEMENTS**

**H&S IS CONTINUALLY STRIVING TO IMPROVE IT'S PRODUCTS**

We must therefore, reserve the right to make improvements or changes whenever it becomes practical to do so without incurring any obligation to make changes or additions to the equipment previously sold.

**FIGURE 1**  
**MAIN FRAME**

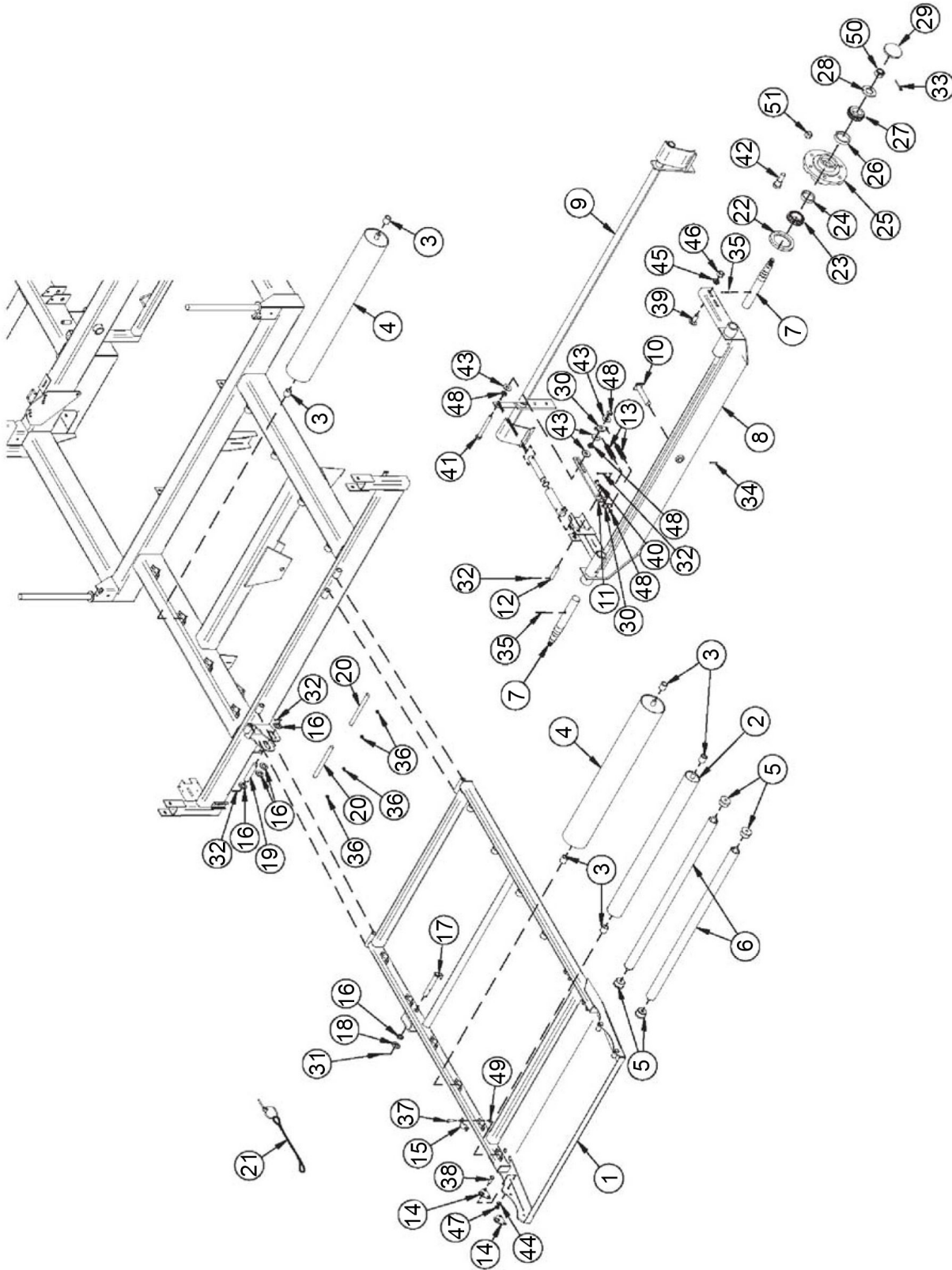


# FIGURE 1

## MAIN FRAME

<u>ITEM</u>	<u>QTY</u>	<u>PART #</u>	<u>DESCRIPTION</u>
1	1	LW7	PUSHER SLIDE - RH
2	1	LW6	PUSHER SLIDE LH
3	1	LW53	HOOP ROLLER SHAFT
4	4	T40	BEARING W/ LOCK COLLAR
5	4	LW61	HOOP ROLLER HUB
6	4	LW64	HOOP ROLLER LIP
7	4	LW22	HOOP ROLLER
8	4	LW60	HOOP ROLLER COLLAR
9	1	LW165	TAIL STORAGE LINK
10	1	LW163	SHORT ROLLER
11	2	LW63	PVC BEARING
12	1	LW155	RH ROLLER BRACKET MOUNT
13	1	LW154	LH ROLLER BRACKET MOUNT
14	1	LW67	REAR HOOP GUIDE
15	2	LW341	HOOP ROLLER SIDE WASHER
16	1	ST36	HYDRAULIC MOTOR SPRING
17	3	G89	1/4"-28 STRAIGHT-STANDARD GREASE ZERK #1641
18	1	RG21	1/4"-28 45° GREASE ZERK #1637
19	2	RG51	1/4"-28 90° GREASE ZERK #1911
20	1	R65	SPACER
21	1	YPCT05010	COTTER PIN, 5/32" X 1-1/2"
22	4	YSKP10010	SET SCREW, SOCKET, KNURLED CUP PT, 5/16" - 18 X 3/8"
23	4	YSKP12010	SET SCREW, SOCKET, KNURLED CUP PT, 3/8"-16 X 1/2"
24	8	YBHH10045	BOLT, 5/16" X 1-1/4" GR. 5
25	4	YBHH16045	BOLT, 1/2" X 1-1/4" GR. 5
26	2	YBHH16125	BOLT, 1/2" X 3-3/4" GR. 5
27	1	YBTE10030	TURNUED EYE BOLT, 5/16" X 3"
28	1	YSFS16045	FLAT HEAD SOCKET CAP SCREW, 1/2" X 3"
29	2	YWFL16005	WASHER, FLAT, 1/2" USS
30	8	YWLO10005	WASHER, LOCK, 5/16"
31	5	YWLO16005	WASHER, LOCK, 1/2"
32	9	YNHX10005	HEX NUT, 5/16"
33	5	YNHX16005	HEX NUT, 1/2"
34	1	YNNJ16005	HEX NUT, NYLON JAM NUT, 1/2"
35	2	YNNY16005	HEX NUT, NYLON LOCKNUT, 1/2"
36	2	BFR33	WASHER

**FIGURE 2**  
**REAR AXLE/ROLLERS**

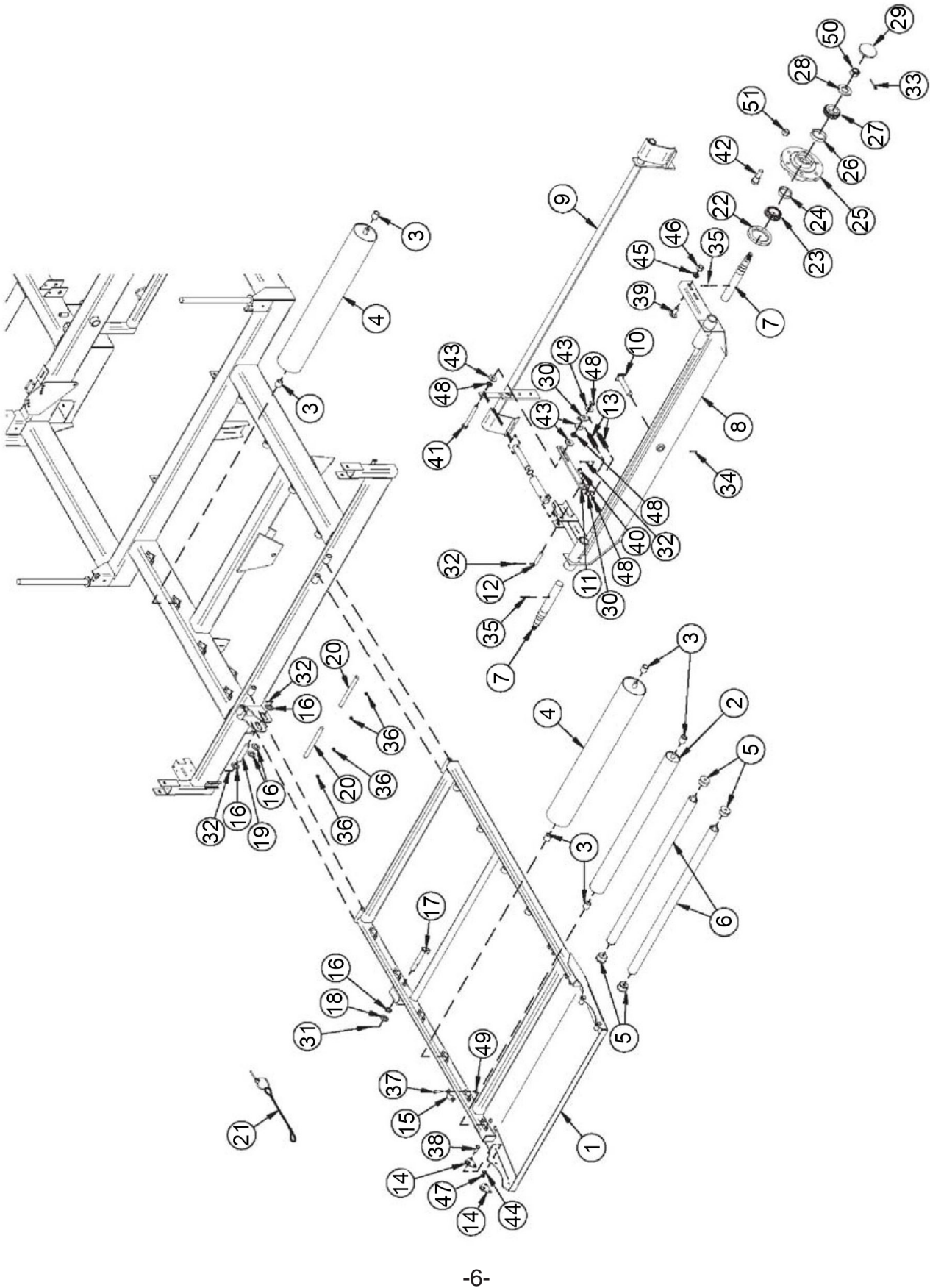


## FIGURE 2

### REAR AXLE/ROLLERS

<u>ITEM</u>	<u>QTY</u>	<u>PART #</u>	<u>DESCRIPTION</u>
1	1	LW246	TAIL
2	2	LW157	SMALL ROLLER
3	20	LW63	PVC BEARING
4	8	LW158	LARGE ROLLER
5	4	LW229	POLY ROLLER INSERT
6	2	LW230	END ROLLER
7	2	LW27	REAR SPINDLE
8	1	LW20	REAR AXLE
9	1	LW12	BRAKE ASSEMBLY
10	1	LW43	REAR AXLE PIN
11	1	LW45	BRAKE CYLINDER STOP
12	1	LW57	CYLINDER PIN
13	2	10R14	SPRING BRAKE RETURN
14	2	LW231	BEARING BRACKET
15	12	LW340	ROLLER HOLDER
16	5	BFR33	WASHER 49/64"
17	1	57148	TAIL PIN
18	1	X94	SPACER
19	1	LW237	TAIL CYLINDER PIN-CYLINDER END
20	2	LW54	TAIL HINGE PIN
21	1	S122	CLIP PIN W/ LANYARD
22	2	RG98	SEAL
23	2	RG99	INNER BEARING
24	2	RG100	INNER RACE
25	2	RG101	HUB 6-BOLT
26	2	17G146	OUTER RACE
27	2	17G145	OUTER BEARING

**FIGURE 2**  
**REAR AXLE/ROLLERS**





## FIGURE 2

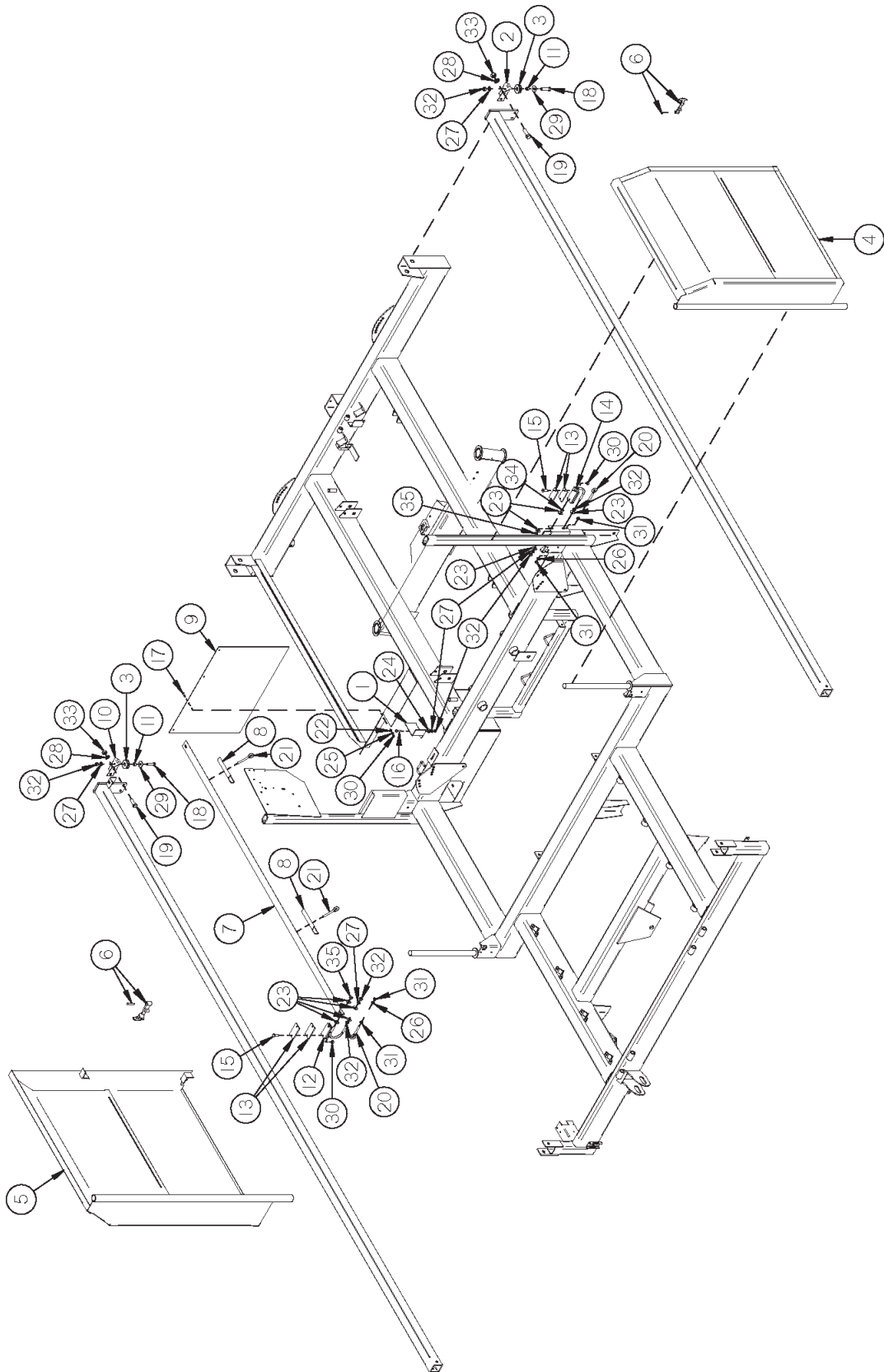
### REAR AXLE/ROLLERS

<u>ITEM</u>	<u>QTY</u>	<u>PART#</u>	<u>DESCRIPTION</u>
28	2	RG182	WASHER
29	2	RG103	HUB CAP
30	2	54046	LW DUAL SPRING BRACKET
31	1	YPCT06020	COTTER PIN, 3/16" X 2"
32	4	YPCT05010	COTTER PIN, 5/32" X 1-1/2"
33	2	YPCT05025	COTTER PIN, 5/32" X 2"
34	1	YPEX10015	EXPANSION PIN, 5/16" X 1-3/4"
35	2	YPEX12025	EXPANSION PIN, 3/8" X 2-3/4"
36	4	YSKP08010	SET SCREW, SOCKET, KNURLED CUP PT, 1/4"-20 X 1/2"
37	20	YBCR08040	CARR. BOLT, 1/4" X 3/4" GR. 5
38	4	YBCR12065	CARR. BOLT, 3/8" X 3/4" GR. 5
39	4	YBCR16015	CARR. BOLT, 1/2" X 1-1/4" GR. 5
40	1	YBHH16010	BOLT, 1/2" X 1" GR. 5
41	1	YBHH16145	BOLT, 1/2" X 4-1/2" GR. 5 FULL THREAD
42	12	YBSD20010	STUD BOLT, 1/2"-20 UNF X 1-7/8" (3/4" SHOULDER)
43	4	YWFL16005	WASHER, FLAT, 1/2" USS
44	4	YWLO12005	WASHER, LOCK, 3/8"
45	4	YWLO16005	WASHER, LOCK, 1/2"
46	4	YNHX16005	HEX NUT, 1/2"
47	4	YNJM12005	HEX NUT, JAM, 3/8"-16
48	3	YNNJ16005	HEX NUT, NYLON JAM NUT, 1/2"
49	20	YNTL08005	HEX NUT, TOP LOCK, 1/4"-20
50	2	YNSL28005	HEX NUT, SLOTTED, 7/8"-14
51	12	YNWL16005	WHEEL NUT, 1/2"-20 UNF

**NOTE: \* MEANS NOT SHOWN**

# FIGURE 3

## SKID PLATES/SHIELDS

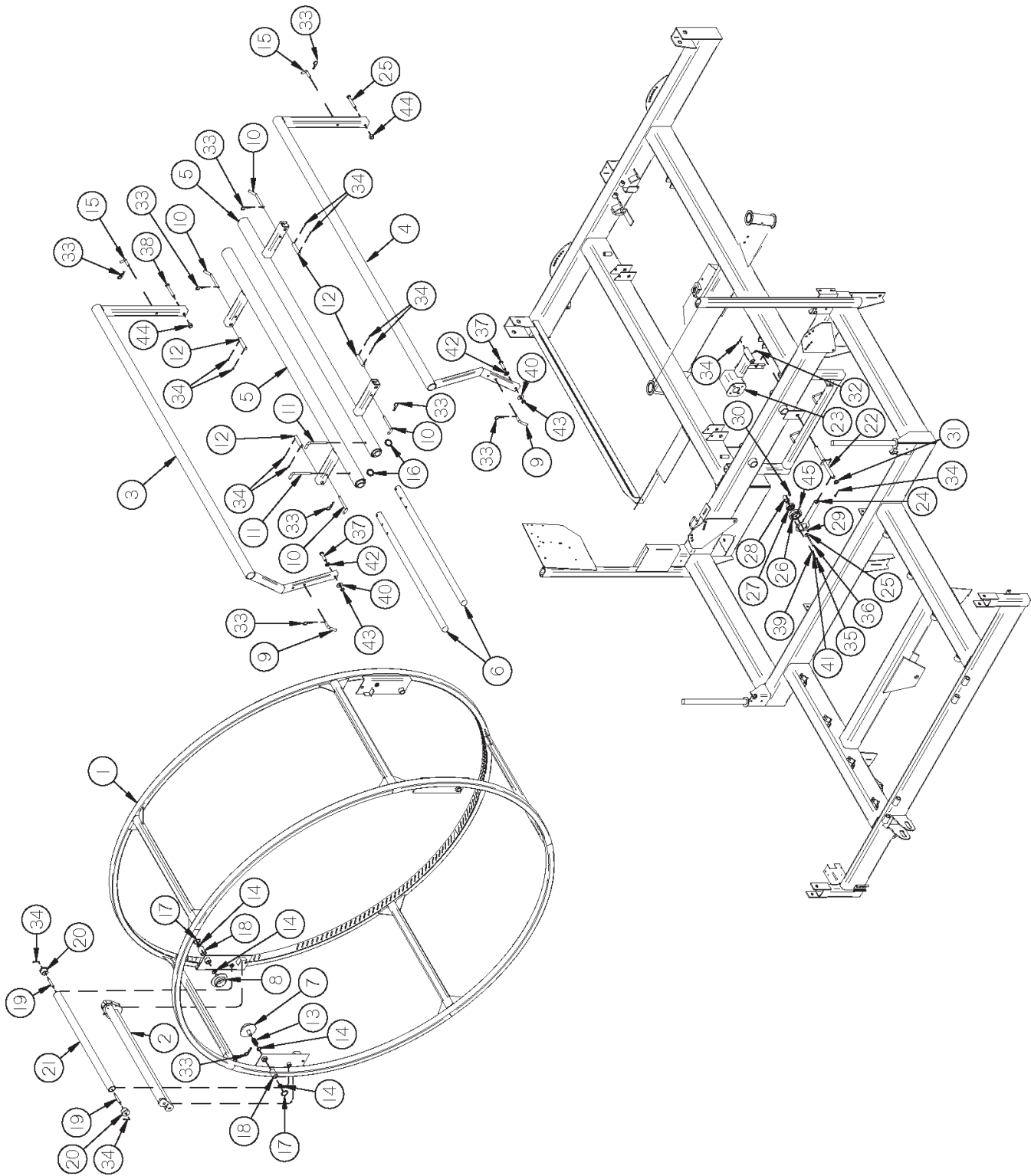


# FIGURE 3

## SKID PLATES/SHIELDS

<u>ITEM</u>	<u>QTY</u>	<u>PART #</u>	<u>DESCRIPTION</u>
1	1	LW40	BATTERY HOLDER
2	1	LW36	STOP PULLEY RH
3	2	BFR292	PULLEY
4	1	LW14	SHIELD RH
5	1	LW13	SHIELD LH
6	4	X233	COMPLETE LATCH
7	1	LW31	LIMIT SWITCH RAIL
8	2	LW32	LIMIT SWITCH SLIDE
9	1	LW68	MUD FLAP
10	1	LW35	STOP PULLER LH
11	2	ST81	BUSHING
12	1	LW226	LH SKID PLATE
13	4	LW228	POLY WEAR PAD
14	1	LW227	RH SKID PLATE
15	2	YBCR08005	CARR. BOLT, 1/4" X 1"
16	1	YBCR12010	CARR. BOLT, 3/8" X 1" GR. 5
17	4	YBHH08100	BOLT, 1/4" X 3/4" GR. 5
18	2	YBHH12025	BOLT, 3/8" X 1-1/2" GR. 5
19	4	YBHH16025	BOLT, 1/2" X 1-1/2" GR. 2
20	2	YBTE10030	TURNED EYE BOLT, 5/16" X 3"
21	2	YBTE12015	TURNED EYE BOLT, 3/8" X 2-1/2"
22	4	YWFL08005	WASHER, FLAT, 1/4" USS
23	8	YWFL10005	WASHER, FLAT, 5/16" USS
24	1	YWFL12005	WASHER, FLAT, 3/8" USS
25	4	YWLO08005	WASHER, LOCK, 1/4"
26	2	YWLO10005	WASHER, LOCK, 5/16"
27	5	YWLO12005	WASHER, LOCK, 3/8"
28	4	YWLO16005	WASHER, LOCK, 1/2"
29	2	YWCU12005	PULLEY WASHER
30	6	YNHX08005	HEX NUT, 1/4"-20
31	4	YNHX10005	HEX NUT, 5/16"
32	7	YNHX12005	HEX NUT, 3/8"-16
33	4	YNHX16005	HEX NUT, 1/2"
34	1	YNJM12005	HEX NUT, JAM, 3/8"-16
35	2	YNRL12005	HEX NUT, REVERSIBLE-SIDE LOCK, 3/8"-16

**FIGURE 4**  
**HOOP/BALE PLATFORM/GUIDES**



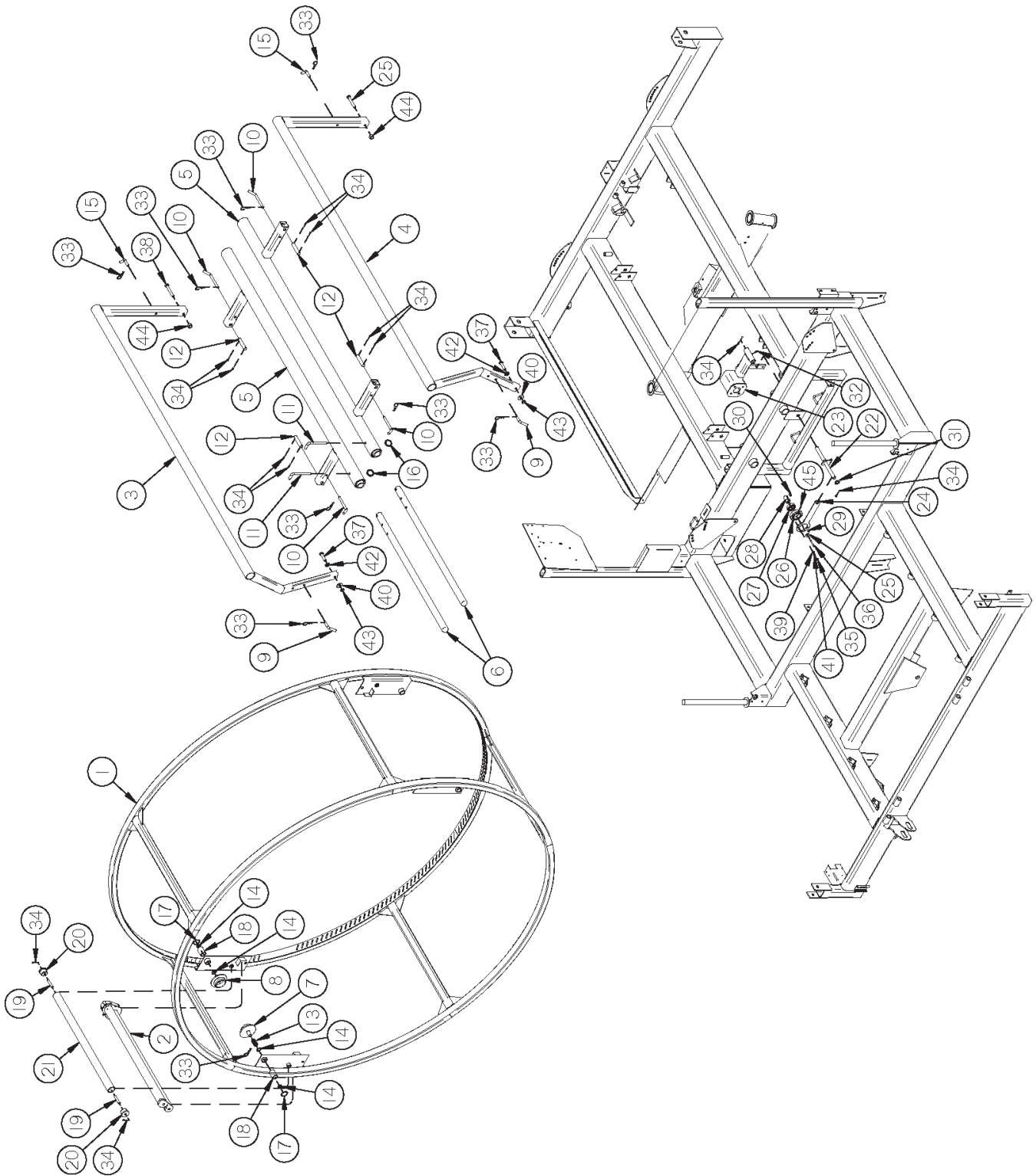
## **FIGURE 4**

### **HOOP/BALE PLATFORM/GUIDES**

<b><u>ITEM</u></b>	<b><u>QTY</u></b>	<b><u>PART #</u></b>	<b><u>DESCRIPTION</u></b>
1	1	LW2	HOOP
2	2	LW280	WRAP TENSION HEAD (SEE FIGURE 13)
3	1	LW8	BALE GUIDE LH
4	1	LW9	BALE GUIDE RH
5	2	LW10	BALE RISER
6	2	LWSH23	ROUND FORK
7	2	LW164	REAR WRAP HOLDER
8	2	LW29	FRONT WRAP HOLDER
9	2	LW51	BALE GUIDE PIN REAR
10	4	LW49	BALE RISER PIN
11	2	LW169	FORK PIN
12	4	LW57	BRAKE CYLINDER PIN
13	2	BFR240	SPRING
14	A/R	LW42	WASHER/SPACER
15	2	LW52	BALE GUIDE PIN FRONT
16	2	LW170	CIRCLE COTTER PIN
17	4	10R32	3/4" EXTERNAL SNAP RING
18	4	LW121	BUSHING 1" OD X 3/4" ID X 1"
19	4	LW50	PVC ROLLER AXLE
20	4	LW349	PVC ROLLER END SMALL
21	2	LW348	WRAP PVC ROLLER SMALL
22	1	LWWE144	MOTOR PIVOT SHAFT
23	1	LW11	HYDRAULIC MOTOR MOUNT
24	1	LW3G43	BEARING TORQUE ARM

**NOTE: A/R MEANS AS REQUIRED**

**FIGURE 4**  
**HOOP/BALE PLATFORM/GUIDES**



## FIGURE 4

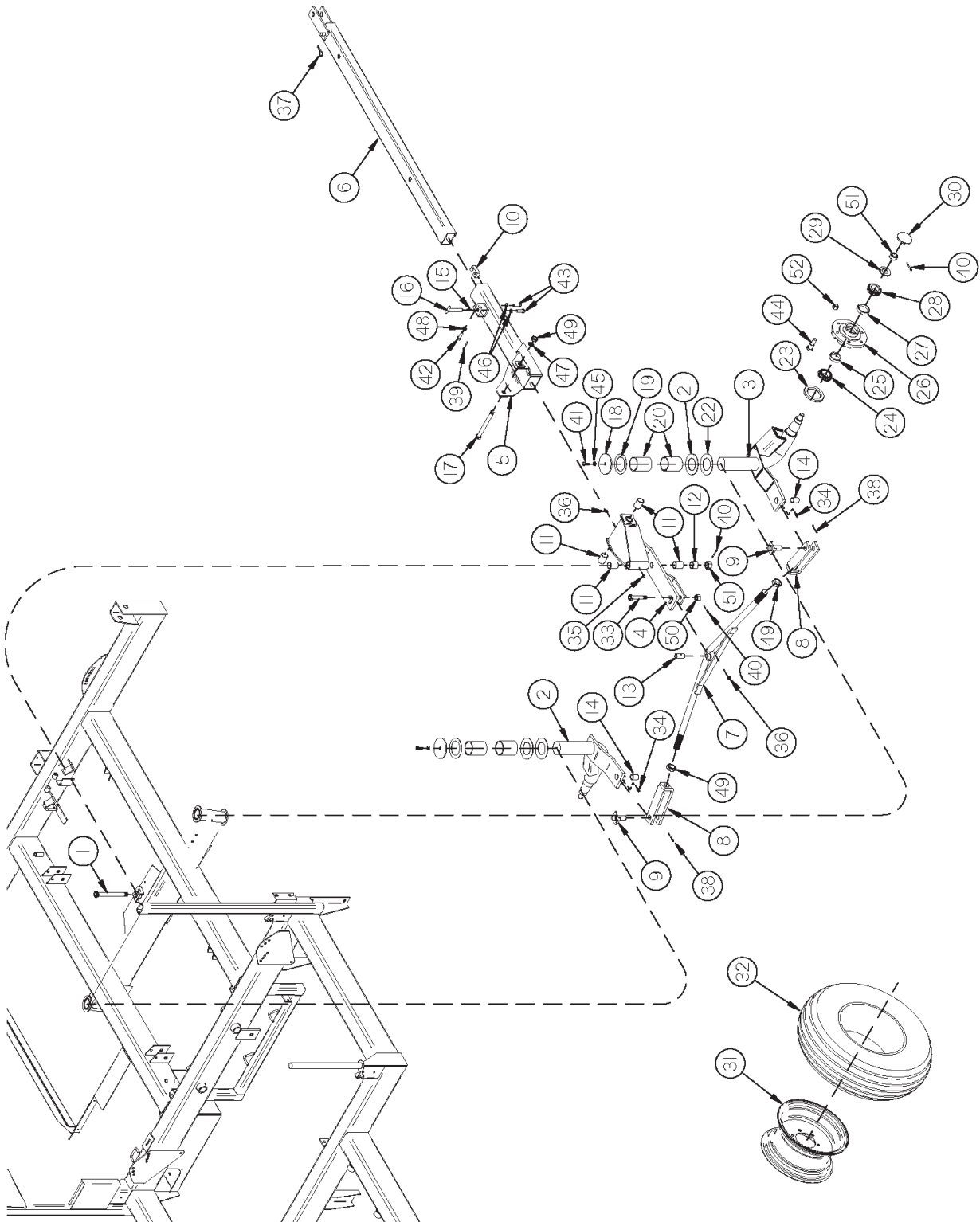
### HOOP/BALE PLATFORM/GUIDES

<u>ITEM</u>	<u>QTY</u>	<u>PART #</u>	<u>DESCRIPTION</u>
25	1	LW10G32	BEARING SHAFT WASHER
26	1	LWSH29	TORQUE ARM BEARING MOUNT
27	1	8643	ONE WAY BEARING
28	1	LWSH25	ONE WAY BEARING SHAFT
29	1	LWMS24	BEARING KEY
30	1	5B10	WOODRUFF KEY, 1/4" X 1"
31	1	16SV49	SHIM .074
*	1	LWAS06	TORQUE ARM BEARING MOUNT COMPLETE (INCLUDES ITEMS 26,27,44)
32	1	G89	1/4"-28 STRAIGHT GREASE ZERK
33	10	YPHR02010	HAIR PIN, #21-07
34	14	YPCT05010	COTTER PIN, 5/32" X 1-1/2"
35	2	YBHH08010	BOLT, 1/4" X 1" GR. 5
36	1	YBHH08055	BOLT, 1/4" X 2-1/2" GR. 5
37	2	YBHH16065	BOLT, 1/2" X 2" GR. 5
38	2	YBHH16120	BOLT, 1/2" X 3-1/4" GR. 5
39	2	YWFL08005	WASHER, FLAT, 1/4" USS
40	2	YWFL16005	WASHER, FLAT, 1/2" USS
41	2	YWLO08005	WASHER, LOCK, 1/4"
42	2	YWLO16005	WASHER, LOCK, 1/2"
43	2	YNNJ16005	HEX NUT, NYLON JAM NUT, 1/2"
44	2	YNNY16005	HEX NUT, NYLON LOCKNUT, 1/2"
45	1	YSKP08010	SET SCREW, SOCKET, KNURLED CUP PT, 1/4"-20 X 1/2"

**NOTE: \* MEANS NOT SHOWN**

# FIGURE 5

## FRONT AXLE





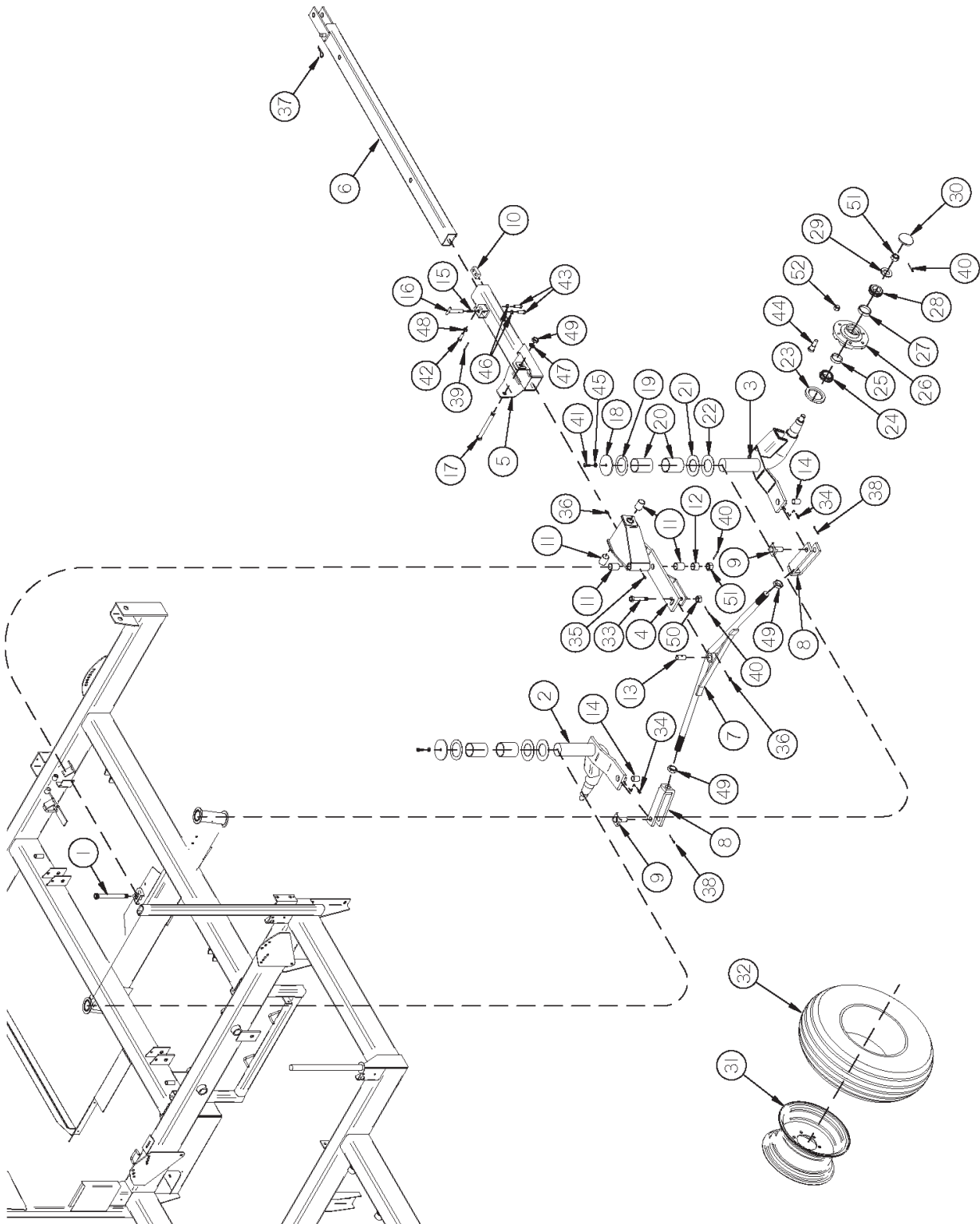
# FIGURE 5

## FRONT AXLE

<u>ITEM</u>	<u>QTY</u>	<u>PART #</u>	<u>DESCRIPTION</u>
1	1	RG287	STEERING PIN
2	1	RG93	SPINDLE LH
3	1	RG86	SPINDLE RH
4	1	LW44	POLE PIVOT
5	1	LW15	OUTER POLE
6	1	LW16	INNER POLE
7	1	RG83	TIE ROD
8	2	RG91	TIE ROD END
9	2	RG30	CLEVIS PIN
10	1	RG291	TELEPOLE STOP
11	4	RG77	BUSHING 57/64" ID X 1-1/8" OD X 2"
12	1	RG81	BUSHING 57/64" ID X 1-1/8" OD X 5/8"
13	1	RG18	BUSHING 3/4" ID X 1" OD X 2"
14	2	RG31	BUSHING 5/8" ID X 7/8" OD X 1"
15	1	BFR240	POLE LATCH SPRING
16	1	BFR241	ADJUSTMENT HANDLE
17	1	RG85	POLE PIN
18	2	RG89	FRONT SPINDLE CAP
19	2	RG90	POLY WASHER
20	4	RGT3	BUSHING 1-49/64" ID X 2" OD X 2"
21	2	RG88	1/16" THRUST WASHER
22	2	RG87	1/8" BRONZE THRUST WASHER
23	2	RG98	SEAL
24	2	RG99	INNER BEARING
25	2	RG100	INNER RACE

# FIGURE 5

## FRONT AXLE



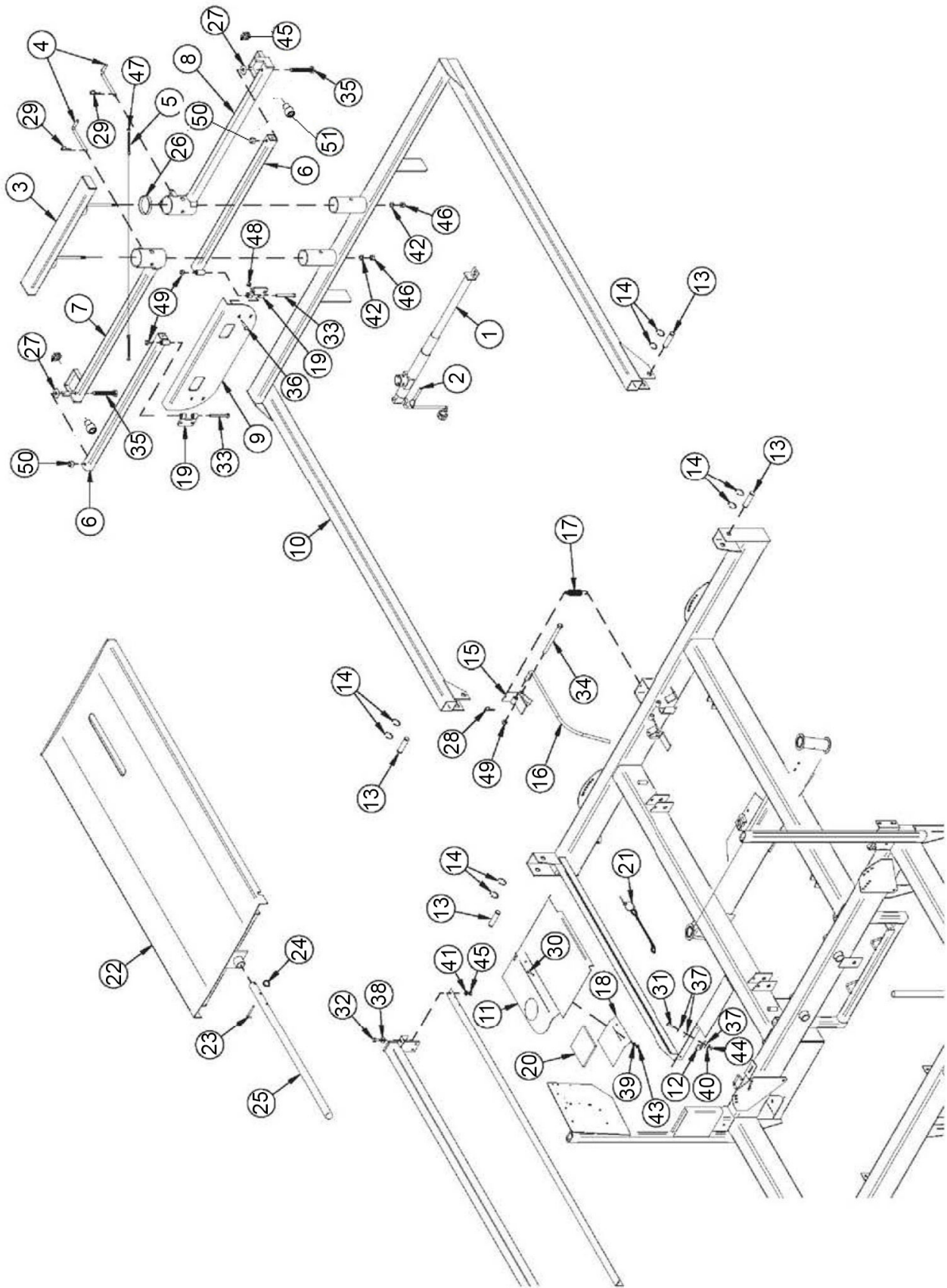
# FIGURE 5

## FRONT AXLE

<u>ITEM</u>	<u>QTY</u>	<u>PART #</u>	<u>DESCRIPTION</u>
26	2	RG101	HUB 6-BOLT
27	2	RG47	OUTER RACE
28	2	RG48	OUTER BEARING
29	2	RG182	WASHER
30	2	RG103	HUB CAP
31	4	12N24	WHEEL 6-BOLT
32	4	UR2	TIRE 11L X 15
*	1	33417	11L X 15 8 PLY TIRE AND WHEEL ASSEMBLY
33	1	RG33	TIE ROD CENTER BOLT
34	3	G89	1/4"-28 STRAIGHT GREASE ZERK
35	1	RG51	1/4"-28 90° GREASE ZERK #1911
36	2	RG21	1/4"-28 45° GREASE ZERK #1637
37	1	YPHR02010	HAIR PIN, #21-07
38	2	YPCT05010	COTTER PIN, 5/32" X 1-1/2"
39	2	YPCT05010	COTTER PIN, 5/32" X 1-1/2"
40	4	YPCT05025	COTTER PIN, 5/32" X 2"
41	2	YBHH12010	BOLT, 3/8" X 1" GR. 5
42	1	YBHH16025	BOLT, 1/2" X 1-1/2" GR. 2
43	2	YBHH20010	BOLT, 5/8" X 1-1/2" GR. 5
44	12	YBSD20010	STUD BOLT, 1/2"-20 UNF X 1-7/8" (3/4" SHOULDER)
45	5	YWLO12005	WASHER, LOCK, 3/8"
46	2	YWLO20005	WASHER, LOCK, 5/8"
47	1	YWSI28005	STAR WASHER 7/8"
48	1	YNHX16005	HEX NUT, 1/2"
49	3	YNJM28005	HEX NUT, JAM, 7/8"-14
50	1	YNSL24005	HEX NUT, SLOTTED, 3/4"-10
51	3	YNSL28005	HEX NUT, SLOTTED, 7/8"-14
*	1	YWFL24020	WASHER, FLAT, SAE 3/4, ZINC
52	12	YNWL16005	WHEEL NUT, 1/2"-20 UNF

**NOTE: \* MEANS NOT SHOWN**

**FIGURE 6**  
**BALE PUSHER**

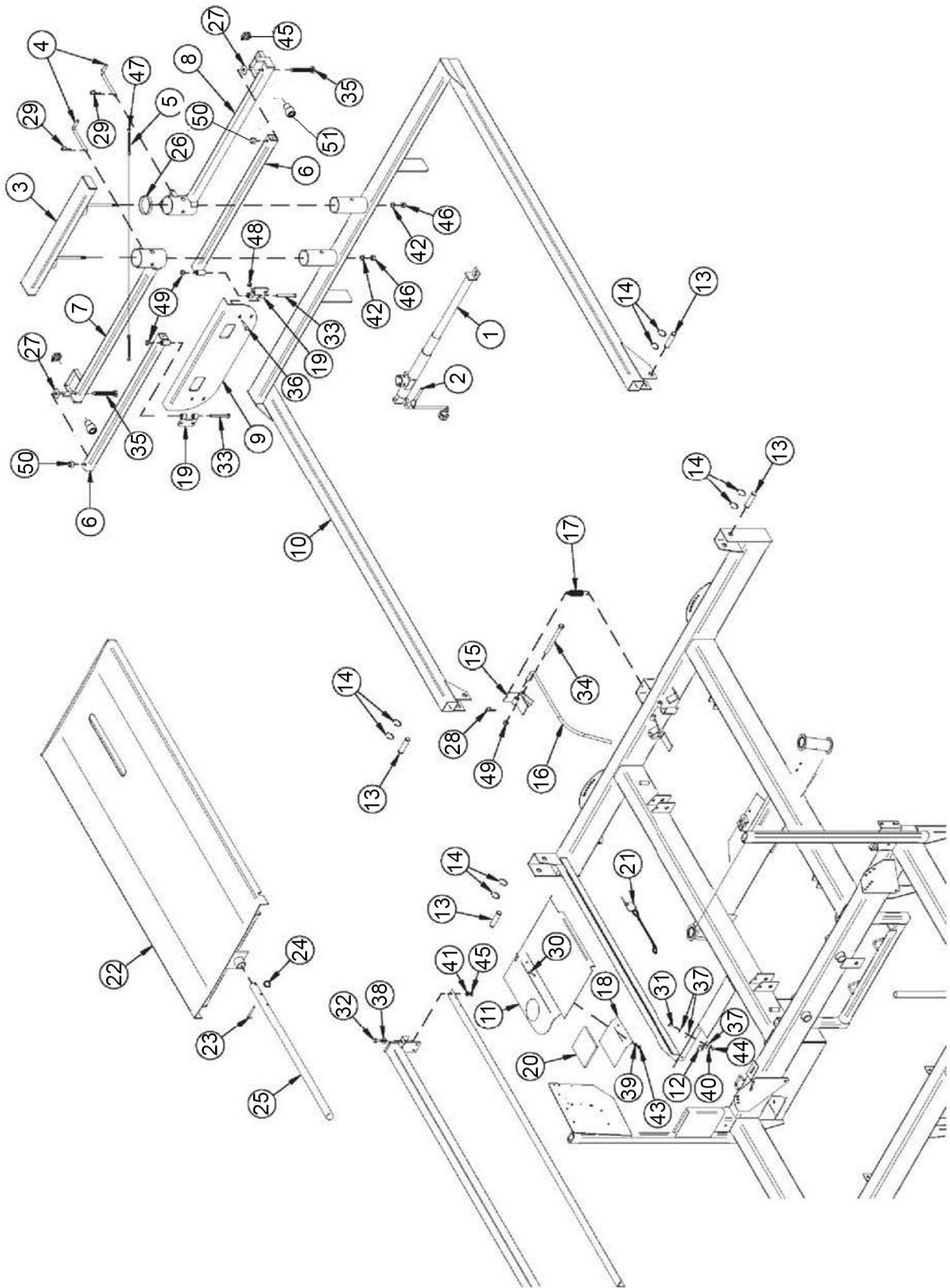


**FIGURE 6**  
**BALE PUSHER**

<b><u>ITEM</u></b>	<b><u>QTY</u></b>	<b><u>PART #</u></b>	<b><u>DESCRIPTION</u></b>
1	1	LW17	STEERING JACK
2	1	12N13	JACK PIN W/ CHAIN
3	1	LW69	PUSHER TOP
4	2	LW21	PUSHER PINS
5	1	LW71	TIMING CHAIN
6	2	LW70	PUSH-OFF SECONDARY
7	1	73719	PUSH-OFF PRIMARY LH
8	1	73720	PUSH-OFF PRIMARY RH
9	1	LW344	PUSH-OFF PLATE
10	1	LW3	PUSHER
11	1	LW33	ENGINE COVER
12	1	LW46	ENGINE SHIELD CLIP
13	4	LW58	PUSHER CYLINDER PIN
14	8	3G21	1" EXTERNAL SNAP RING
15	1	LW18	START TRIGGER PIVOT
16	1	LW19	START TRIGGER ARM
17	1	R27	START TRIGGER SPRING
18	1	LW168	HEAT SHIELD
19	2	LW345	PUSHER HINGE TAB
20	1	MS22	FLAME RETARDANT PAD
21	1	S122	CLIP PIN W/ LANYARD
22	1	LW198	RISER SHELF (OPTIONAL)
23	1	LW169	FORK PIN (OPTIONAL)
24	1	LW170	CIRCLE COTTER PIN (OPTIONAL)
25	1	LWSH23	ROUND FORK (OPTIONAL)

# FIGURE 6

## BALE PUSHER



# FIGURE 6

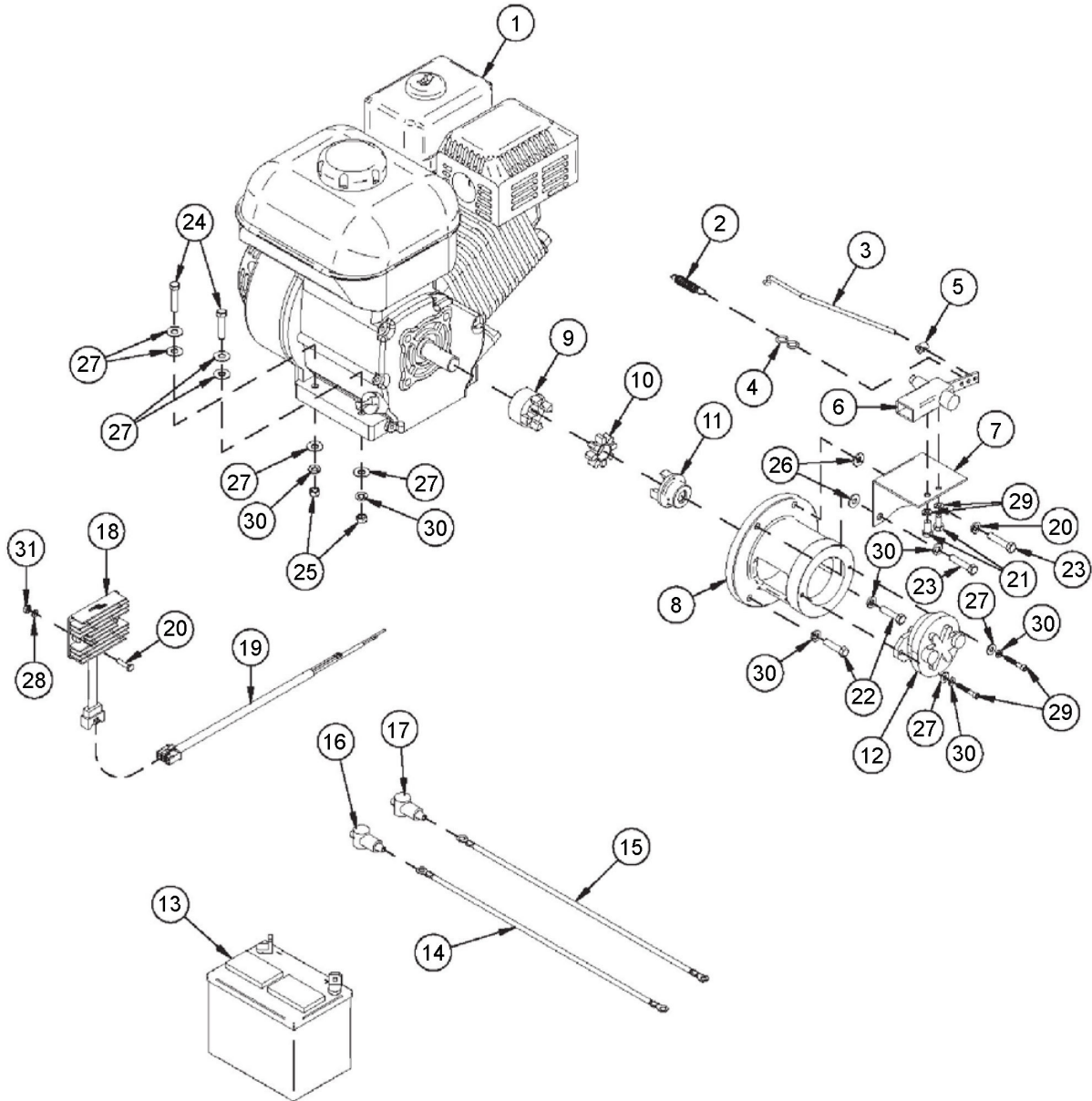
## BALE PUSHER

<u>ITEM</u>	<u>QTY</u>	<u>PART #</u>	<u>DESCRIPTION</u>
26	1	LW284	PUSHER SPACER
27	2	LW376	PUSH-OFF WASHER
28	1	YPHR02005	HAIR PIN, #21-05 (1-7/8" LONG)
29	2	YPHR02010	HAIR PIN, #21-07
30	2	YBHH08100	BOLT, 1/4" X 3/4" GR. 5
31	1	YBHH10045	BOLT, 5/16" X 1-1/4" GR. 5
32	1	YBHH12135	BOLT, 3/8" X 3/4" GR. 5
33	2	YBHH16150	BOLT, 1/2" X 4-3/4" GR. 5
34	1	YBHH16165	BOLT, 1/2" X 6" GR. 5
35	2	YBHH20075	BOLT, 5/8" X 4-3/4" GR. 5
36	4	YBCR12010	CARR. BOLT, 3/8" X 1" GR. 5
37	3	YWFL08005	WASHER, FLAT, 1/4" USS
38	1	YWFL12005	WASHER, FLAT, 3/8" USS
39	2	YWLO08005	WASHER, LOCK, 1/4"
40	1	YWLO10005	WASHER, LOCK, 5/16"
41	1	YWLO12005	WASHER, LOCK, 3/8"
42	2	YWLO16005	WASHER, LOCK, 1/2" (USED ON STANDARD MODEL)
43	2	YNHX08005	HEX NUT, 1/4"-20
44	1	YNHX10005	HEX NUT, 5/16"
45	3	YNHX12005	HEX NUT, 3/8"-16
46	2	YNHX16005	HEX NUT, 1/2" (USED ON STANDARD MODEL)
47	2	YNNY12005	HEX NUT, NYLON LOCKNUT, 3/8"
48	4	YNRL12005	HEX NUT, REVERSIBLE-SIDE LOCK, 3/8"-16
49	3	YNTL16005	HEX NUT, TOP LOCK, 1/2"-13
50	2	YNTL20005	HEX NUT, TOP LOCK, 5/8"-11
*	2	YNTJ16005	HEX NUT, TOP LOCK, JAM, 1/2"-13
51	2	YBHH12035	BOLT, 3/8"-16 X 1-1/4 GR. 5

**NOTE: \* MEANS NOT SHOWN**

# FIGURE 7

## HONDA ENGINE





# FIGURE 7

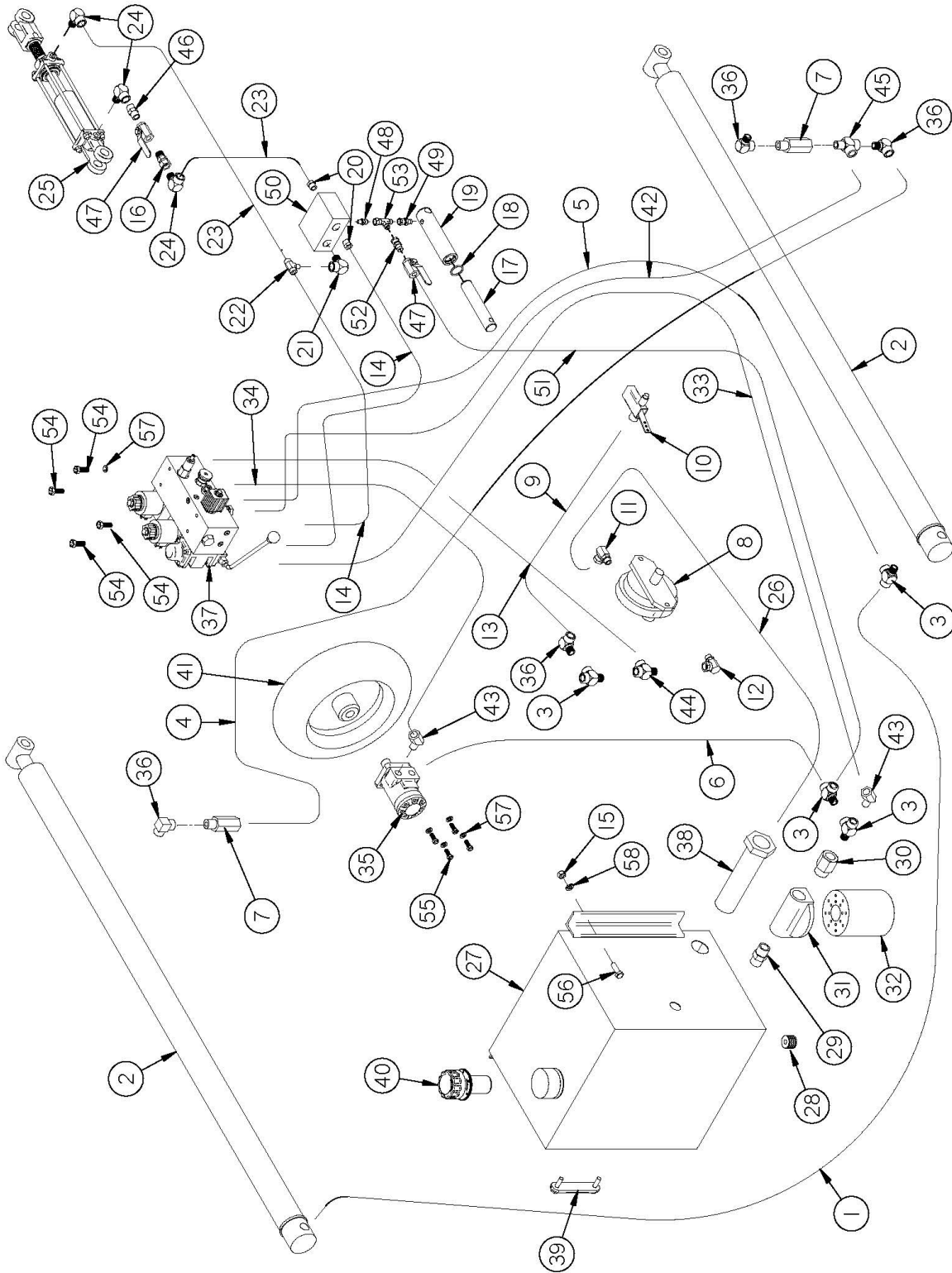
## HONDA ENGINE

<u>ITEM</u>	<u>QTY</u>	<u>PART #</u>	<u>DESCRIPTION</u>
1	1	LW73	13 HP GAS ENGINE
2	1	23N284	THROTTLE RETURN SPRING
3	1	LW59	THROTTLE LINKAGE
4	1	X79	S-HOOK
5	1	LW62	THROTTLE LINKAGE COLLAR THROTTLE
6	1	LW302	ADVANCE
*	1	LW342	THROTTLE ADVANCE W/ HEAVY SPRING
7	1	LW47	THROTTLE ADVANCE BRACKET ENGINE/
8	1	LW300	PUMP ADAPTER
9	1	LW301	COUPLING HUB - ENGINE
10	1	LW287	COUPLING INSERT
11	1	LW286	COUPLING HUB - PUMP
12	1	LW299	HYDRAULIC PUMP
13	1	LW166	BATTERY
14	1	LW171	BATTERY CABLE - RED
15	1	LW172	BATTERY CABLE - BLACK
16	1	LW173	TERMINAL COVER - RED
17	1	59850	TERMINAL COVER - BLACK REGULATOR
18	1	LW223	(HONDA)
19	1	8598	VOLTAGE REGULATOR CORD
*	1	LW335	HONDA IGNITION SWITCH
*	1	LW167	KEY
20	2	YBHH08010	BOLT, 1/4" X 1" GR. 5
21	2	YBHH10020	BOLT, 5/16" X 1/2" GR. 5
22	2	YBHH12025	BOLT, 3/8" X 1-1/2" GR. 5
23	2	YBHH12060	BOLT, 3/8" X 1-3/4" GR. 5
24	4	YBHH12075	BOLT, 3/8" X 2" GR. 5
25	2	YNL12005	HEX NUT, TOP LOCK, 3/8"-16
26	2	YWFL10005	T-WASHER, FLAT, 5/16" USS
27	8	YWFL12005	WASHER, FLAT, 3/8" USS
28	2	YWLO08005	WASHER, LOCK, 1/4"
29	2	YWLO10005	WASHER, LOCK, 5/16"
30	10	YWLO12005	WASHER, LOCK, 3/8"
31	2	YNHX08005	HEX NUT, 1/4"-20
*	*	72441	OIL DIP STICK, GRAY
*	*	72442	BLACK PLUG, OIL DRAIN
*		72477	FUEL CAP, CHROME PLATED

**NOTE: \* MEANS NOT SHOWN**

# FIGURE 8

## HYDRAULICS

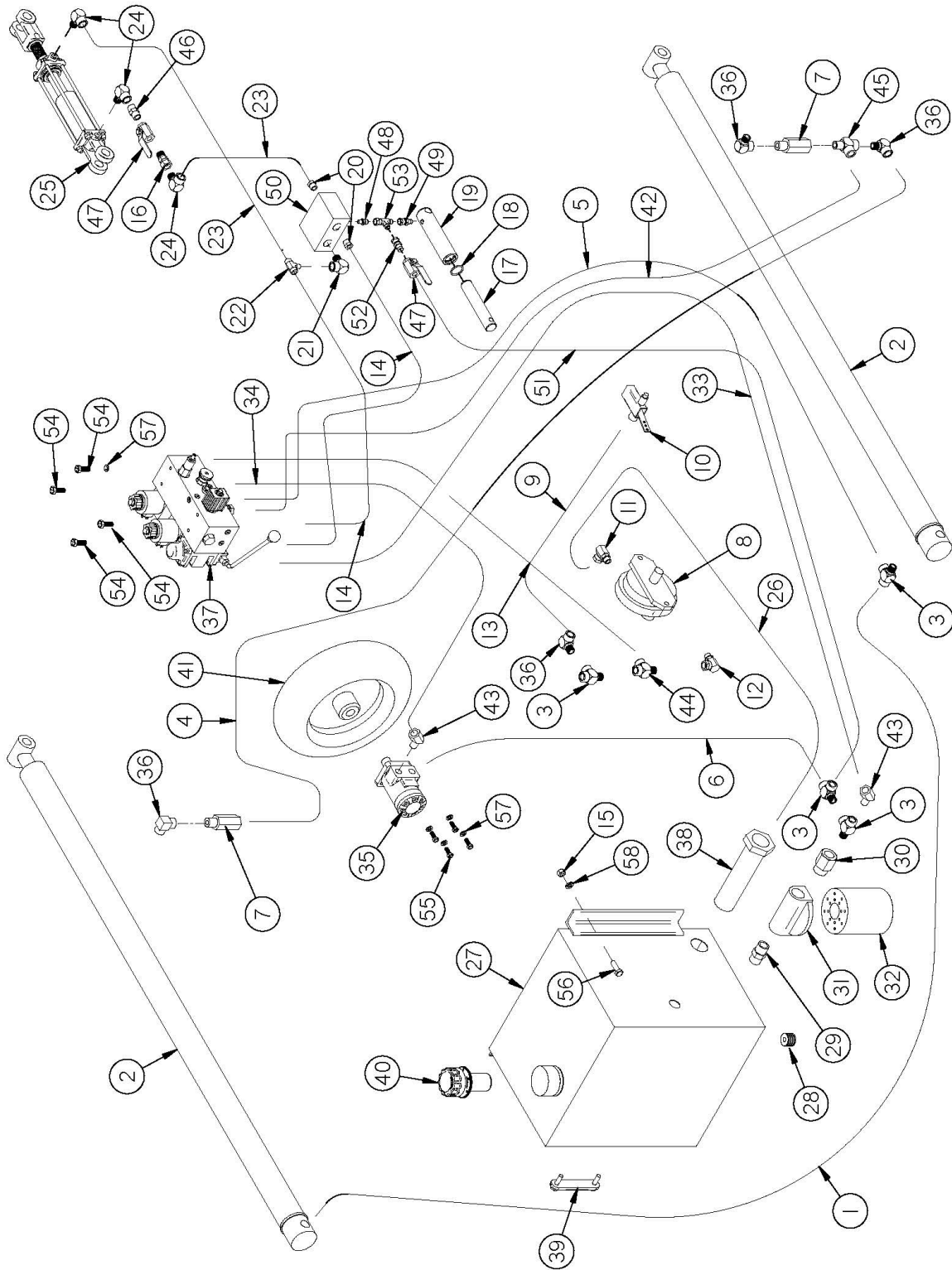


## **FIGURE 8**

### **HYDRAULICS**

<b><u>ITEM</u></b>	<b><u>QTY</u></b>	<b><u>PART #</u></b>	<b><u>DESCRIPTION</u></b>
1	1	LW86	HOSE 1/2" X 97"
2	2	LW102	HYDRAULIC CYLINDER 2-1/2" X 84"
3	5	LW96	1/2" SERVICE TEE
4	1	LW83	HOSE 1/2" X 115"
5	1	LW84	HOSE 1/2" X 108"
6	1	LW144	HOSE 1/2" X 40"
7	2	58773	.109 RESTRICTOR CHECK VALVE
8	1	LW299	HYDRAULIC PUMP
9	1	LW91	HOSE 1/4" X 16"
10	1	LW302	THROTTLE ADVANCE
11	1	LW291	1-1/16" O-RING ADAPTER
12	1	LW95	5/8" O-RING ADAPTER
13	1	LW88	HOSE 1/2" X 49"
14	2	LW81	HOSE 1/4" X 102"
15	1	YNHX16005	HEX NUT, 1/2
16	1	58721	3/8" MALE ADAPTER WITH 0.031 ORIFICE
17	1	LWSH26	PISTON
18	1	S99	O-RING, 218 BUNA-N, 1.50 OD X 1.25 ID
19	1	LWSH27	2-BRAKE HYDRAULIC CYLINDER
20	2	1098	BUSHING 3/8" TO 1/4"
21	1	53435	STREET ELBOW
22	1	53436	MALE BRANCH TEE
23	2	LW80	HOSE 1/4" X 57"
24	3	23N234	3/8" STREET ELBOW
25	1	56006	3-1/2" X 8 HYDRAULIC CYLINDER HOSE
26	1	LW90	3/4" X 56"
27	1	LW106	15 GALLON HYDRAULIC TANK
28	1	LW97	3/4" NPT PLUG
29	1	LW98	3/4" CLOSE NIPPLE
30	1	LW99	3/4" ADAPTER TO 1/2"
31	1	LW288	HYDRAULIC FILTER HEAD

# FIGURE 8 HYDRAULICS



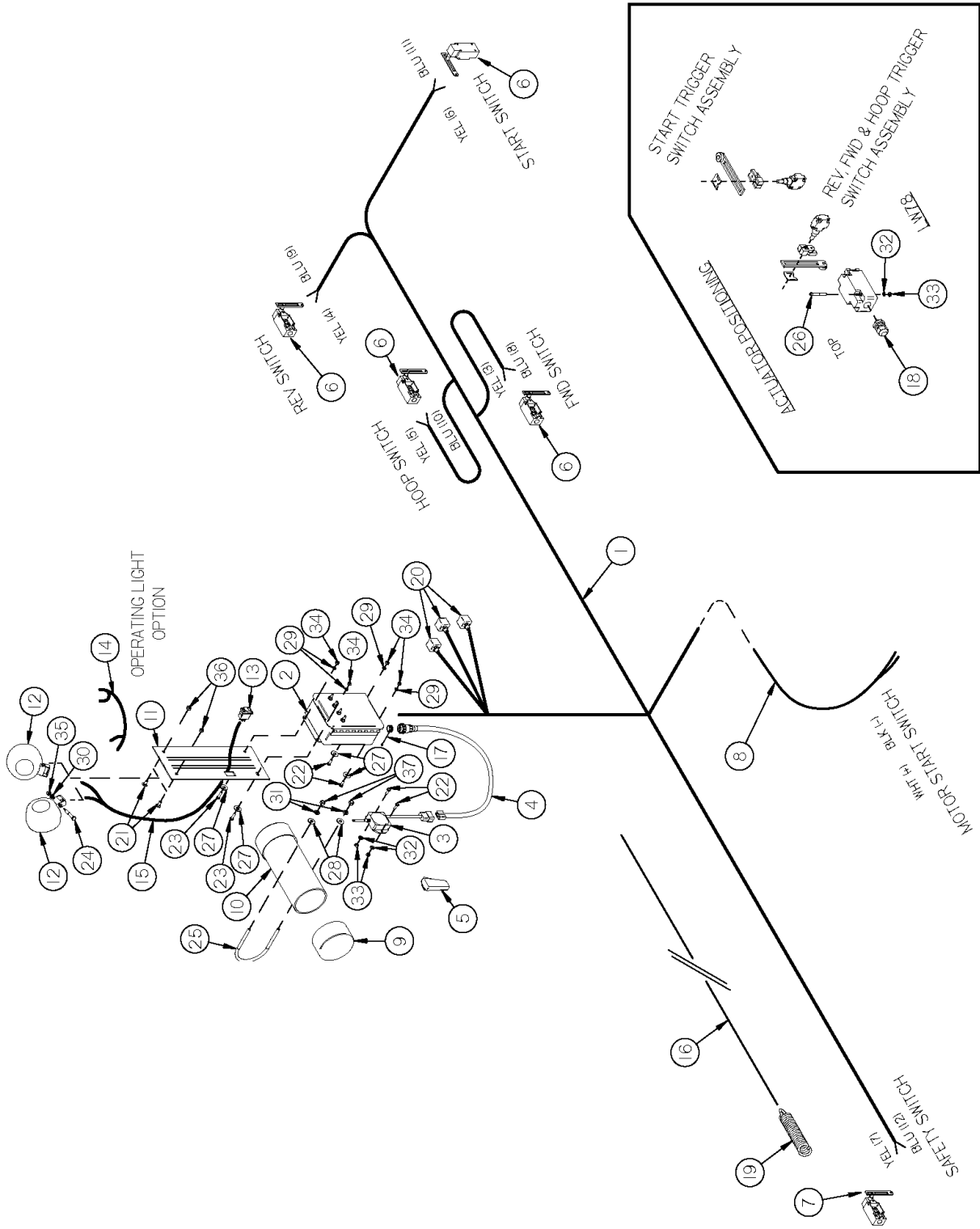
# FIGURE 8

## HYDRAULICS

<u>ITEM</u>	<u>QTY</u>	<u>PART#</u>	<u>DESCRIPTION</u>
32	1	LW289	HYDRAULIC FILTER ELEMENT
33	1	LW89	HOSE 1/2" X 96"
34	1	LW87	HOSE 1/2" X 72"
35	1	DF1B	HYDRAULIC MOTOR
36	4	HE58	1/2" STREET ELBOW
37	1	LW366	MAIN VALVE
38	1	LW137	HYDRAULIC TANK STRAINER
39	1	LW138	HYDRAULIC TANK GAUGE
40	1	LW139	HYDRAULIC TANK FILL
41	1	LW113A	DRIVE WHEEL
42	1	50N18	HOSE 1/2" X 40" WITH O-RING
43	2	LW187	ELBOW, STREET, 1/2", 45 DEGREE
44	1	LW347	1/2" SERVICE TEE W/ CHAMFER
45	1	DF8	1/2" TEE
46	1	16SV351	3/8" NIPPLE WITH NUT
47	2	16SV338	3/8" BALL VALVE
48	1	53430	MALE CONNECTOR 37 DEGREES FLARE
49	1	53428	MALE CONNECTOR 37 DEGREES SWIVEL
50	1	WM176	LOCK VALVE
51	1	54110	HYD HOSE, 3/8" X 130"
52	1	CHM266	CONNECTOR SWIVEL MALE
53	1	CHM242	TEE
54	4	YBHH12135	BOLT, 3/8" X 3/4" GR. 5
55	4	YBHH12010	BOLT, 3/8" X 1" GR. 5
56	4	YBHH16030	BOLT 1/2" X 1-1/2" GR. 5
57	8	YWLO12005	WASHER, LOCK, 3/8"
58	4	YWLO16005	WASHER, LOCK, 1/2"

# FIGURE 9

## ELECTRICAL



# FIGURE 9

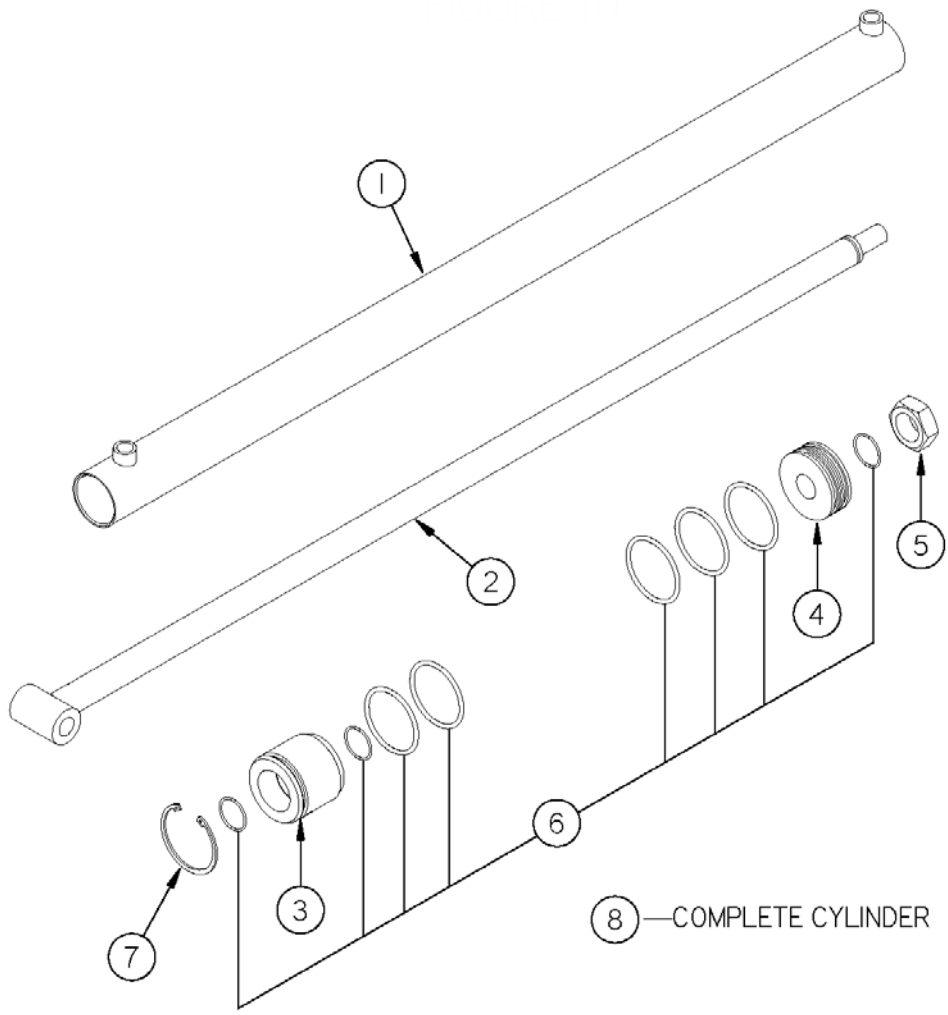
## ELECTRICAL

<u>ITEM</u>	<u>QTY</u>	<u>PART #</u>	<u>DESCRIPTION</u>
1	1	LW72	MAIN WIRING HARNESS
2	1	LW74	MAIN CONTROL BOX
3	1	LW282	REMOTE BOX
4	1	LW76	REMOTE CORD
5	1	70752	KIT, MACRO TRANSMITTER W/ CHARGER
*	1	70743	CAR CHARGER
*	1	70755	INTERNAL RECHARGABLE BATTERY
6	4	LW78	MICRO-SWITCH - OTHER
7	1	LW141	MICRO-SWITCH - SAFETY
8	1	60119	ENGINE POWER HARNESS, W/O FUEL SHUT OFF
9	1	LW146	MANUAL HOLDER CAP
10	1	LW145	MANUAL HOLDER
11	1	LW149	OPERATING LIGHT BRACKET (OPTION)
12	2	70620	LIGHT (OPTION)
13	1	LW151	LIGHT SWITCH (OPTION)
14	1	LW152	BRACKET WIRING HARNESS (OPTION)
15	1	LW153	LIGHT WIRING HARNESS (OPTION)
16	1	LW39	SAFETY STOP CABLE
17	1	LW177	TERMINAL COVER
18	5	GD23	STRAIN RELIEF CONNECTOR
*	5	56120	STRAIN RELIEF LOCK NUT, 1/2"
19	1	LW111	SAFETY CABLE SPRING
20	3	LW285	DIN CONNECTOR
21	2	YBCR10030	CARR. BOLT, 5/16" X 3/4" GR. 5
22	2	YSTP64010	PHILLIPS PAN HEAD TYPE, 10-32 X 3/4"
23	2	YBHH08010	BOLT, 1/4" X 1" GR. 5
24	2	YBHH10070	BOLT, 5/16" X 2" GR. 5
25	1	YBPU12040	PIPE U BOLT, 3/8" X 4-1/2" X 6"
26	10	YSHS64010	SOCKET HEAD CAP SCREW, #10-32 X 1-3/4"
27	4	YWFL08005	WASHER, FLAT, 1/4" USS
28	2	YWFL12005	WASHER, FLAT, 3/8" USS
29	6	YWLO64005	WASHER, LOCK, #10
30	2	YWLO10005	WASHER, LOCK, 5/16"
31	2	YWLO12005	WASHER, LOCK, 3/8"
32	12	YWSI64005	WASHER, LOCK, STAR, INTERNAL/EXTERNAL, #10
33	12	YNHX64005	HEX NUT, #10-32
34	6	YNHX64010	HEX NUT, #10-24
35	2	YNHX10005	HEX NUT, 5/16"
36	2	YNTL10005	HEX NUT, TOP LOCK, 5/16"-18
37	2	YNHX12005	HEX NUT, 3/8"-16

\* MEANS NOT SHOWN

# FIGURE 10

## HYDRAULIC PUSHER CYLINDER

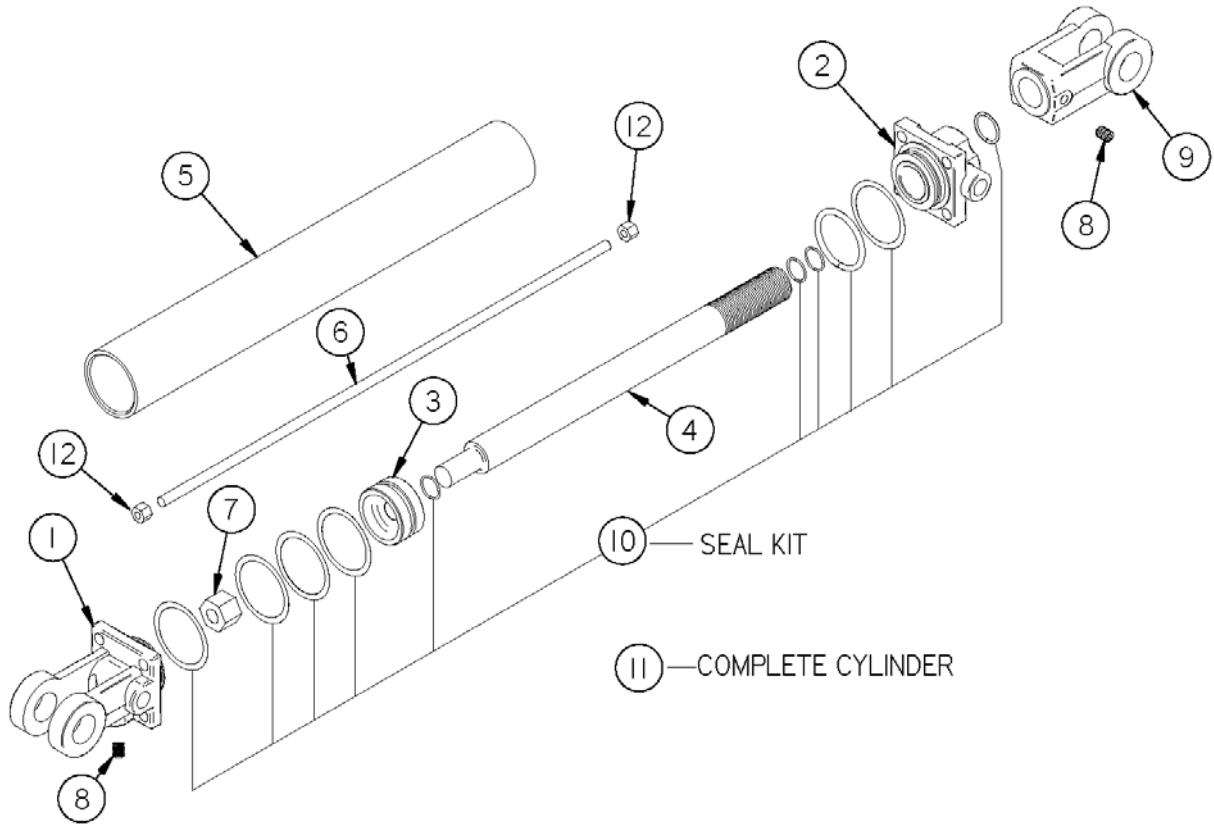


<u>ITEM</u>	<u>QTY</u>	<u>PART #</u>	<u>DESCRIPTION</u>
1	1	LW188	CASE WELDMENT
2	1	LW189	ROD WELDMENT
3	1	LW190	HEAD GLAND
4	1	LW191	PISTON
5	1	LW192	COUPLER
6	1	LW193	SEAL KIT
7	1	LW194	SNAP RING
8	1	LW102	COMPLETE CYLINDER



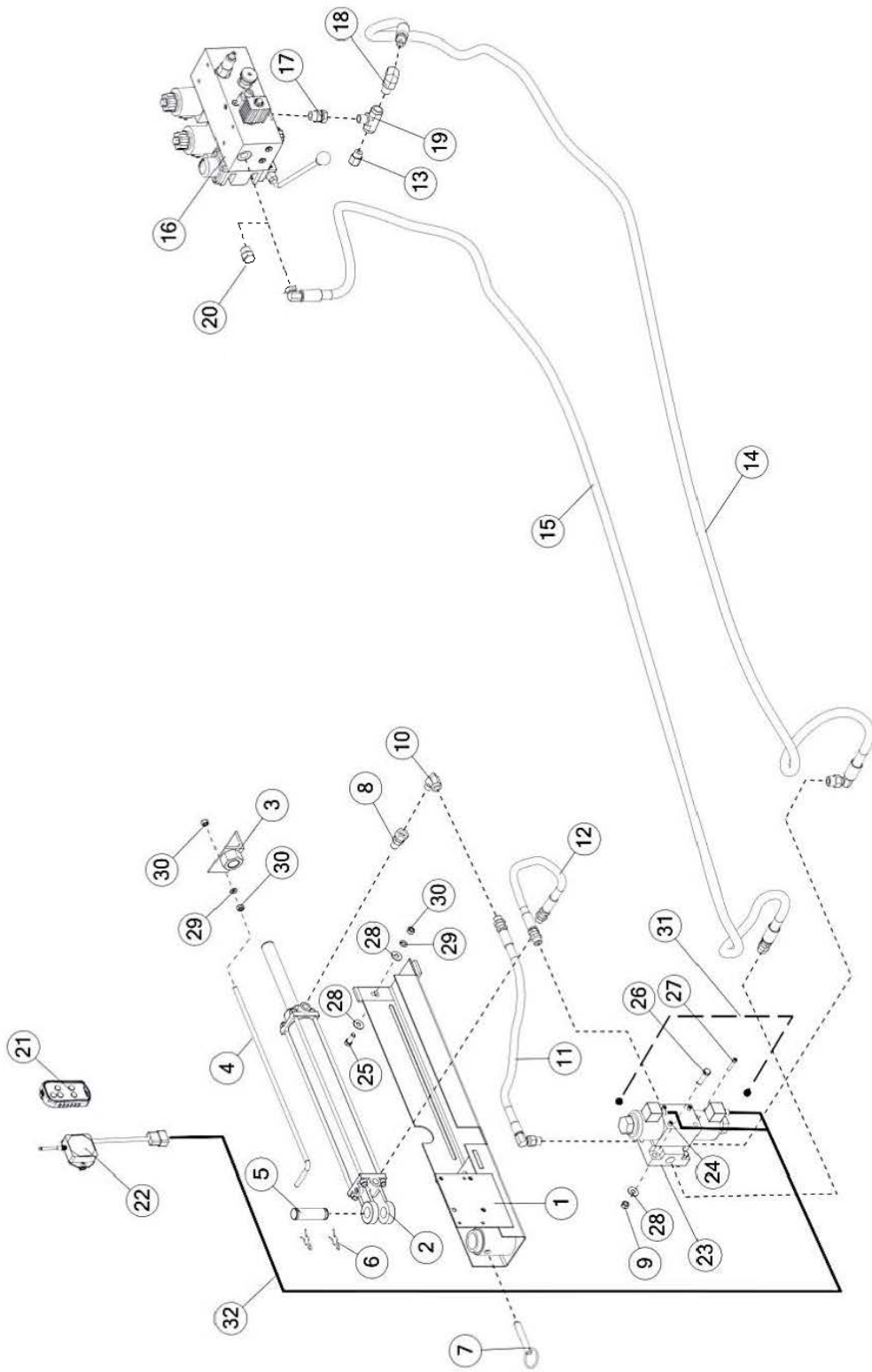
# FIGURE 11

## HYDRAULIC TAIL CYLINDER



<u>ITEM</u>	<u>QTY</u>	<u>PART #</u>	<u>DESCRIPTION</u>
1	1	56173	2.5"CLEVIS CAP
2	1	56175	2.5" ROD CAP
3	1	56181	2" PISTON
4	1	T184A	ROD
5	1	T185	CYLINDER TUBE
6	4	T186	TIE ROD
7	1	23N148	PISTON NUT
8	2	23N149	PLUG
9	1	23N150A	ROD CLEVIS
10	1	56188	2.5" SEAL KIT
11	1	56006	COMPLETE CYLINDER
12	8	YNHX12005	HEX NUT, 3/8"-16

**FIGURE 12**  
**OPTIONAL HYDRAULIC STEERING**



# FIGURE 12

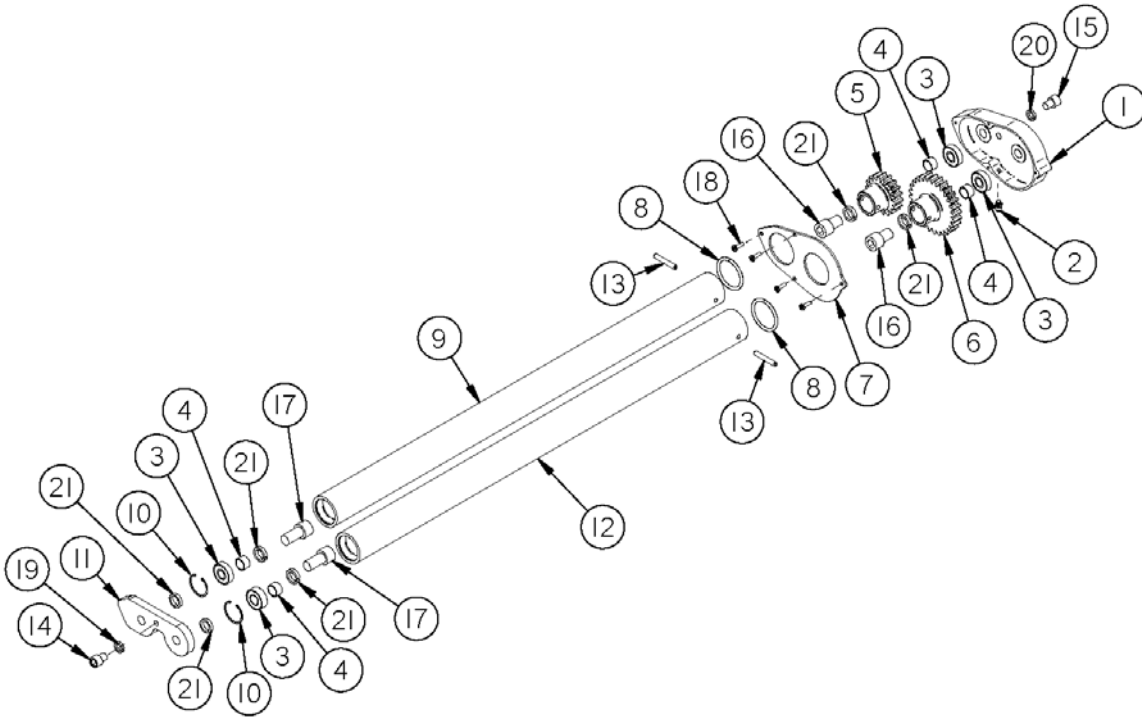
## OPTIONAL HYDRAULIC STEERING

<u>ITEM</u>	<u>QTY</u>	<u>PART #</u>	<u>DESCRIPTION</u>
1	1	LW232	TRAY
2	1	LW233	CYLINDER
*	1	56315	CYLINDER (3000 PSI)
3	1	LW234	STEERING ANGLE
4	1	LW235	INDICATOR ROD
5	1	T143	CYLINDER PIN
6	2	T144	CLIP PINS
7	1	BFR4	PIN AND CHAIN
8	1	58722	3/8 MALE ADPTER WITH .042 ORIFICE
9	4	YNRL12005	HEX NUT, REVERSIBLE-SIDE LOCK, 3/8"-16
*	5	8549	O-RINGS
*	2	8059	LIGHTED DIN CONNECTOR
*	2	8550	DC12V COIL
10	1	23N234	3/8" ELBOW
11	1	LW239	HOSE 3/8" X 28" (3/4" O-RING 90° SWIVEL X 3/8"MP)
12	1	LW240	HOSE 3/8" X 20" (3/4" O-RING SWIVEL X 3/8"MP)
13	1	LW244	FEMALE O-RING ADAPTER (1/2"MP TO 3/4" O-RING)
14	1	LW241	HOSE 1/2" X 120" (1/2"MPX X 3/4" O-RING 90° SWIVEL)
15	1	LW242	HOSE 1/2" X 127" (3/4" O-RING X 7/8" O-RING 90° SWIVEL)
16	1	LW366	MAIN VALVE (CURRENTLY ON MACHINE)
17	1	LW245	UNION ADAPTER (7/8" O-RING MALE TO 1/2"MPT FEMALE UNION ADAPTER)
18	1	HE58	1/2" MPT ELBOW
19	1	WM139	1/2" TEE
20	1	LW298	3/8" PIPE PLUG
21	1	56899	REMOTE HANDSET
22	1	LW282	REMOTE BOX
23	1	8547	SUBPLATE
24	1	8548	SOLENOID DIRECTIONAL VALVE DC12V
25	1	YBHH12010	BOLT, 3/8" X 1" GR. 5
26	1	YBHH12025	BOLT, 3/8" X 1-1/2" GR. 5
27	1	YSHS08010	SOCKET HEAD CAP SCREW, 1/4" X 1-1/4"
28	3	YWFL12005	WASHER, FLAT, 3/8" USS
29	3	YWLO12005	WASHER, LOCK, 3/8"
30	2	YNHX12005	HEX NUT, 3/8"-16
31	1	LW367	STEERING VALVE ASSEMBLY
32	1	LW254	REMOTE STEERING HARNESS

NOTE: \* MEANS NOT SHOWN

# FIGURE 13

## LINEWRAP TENSION HEAD

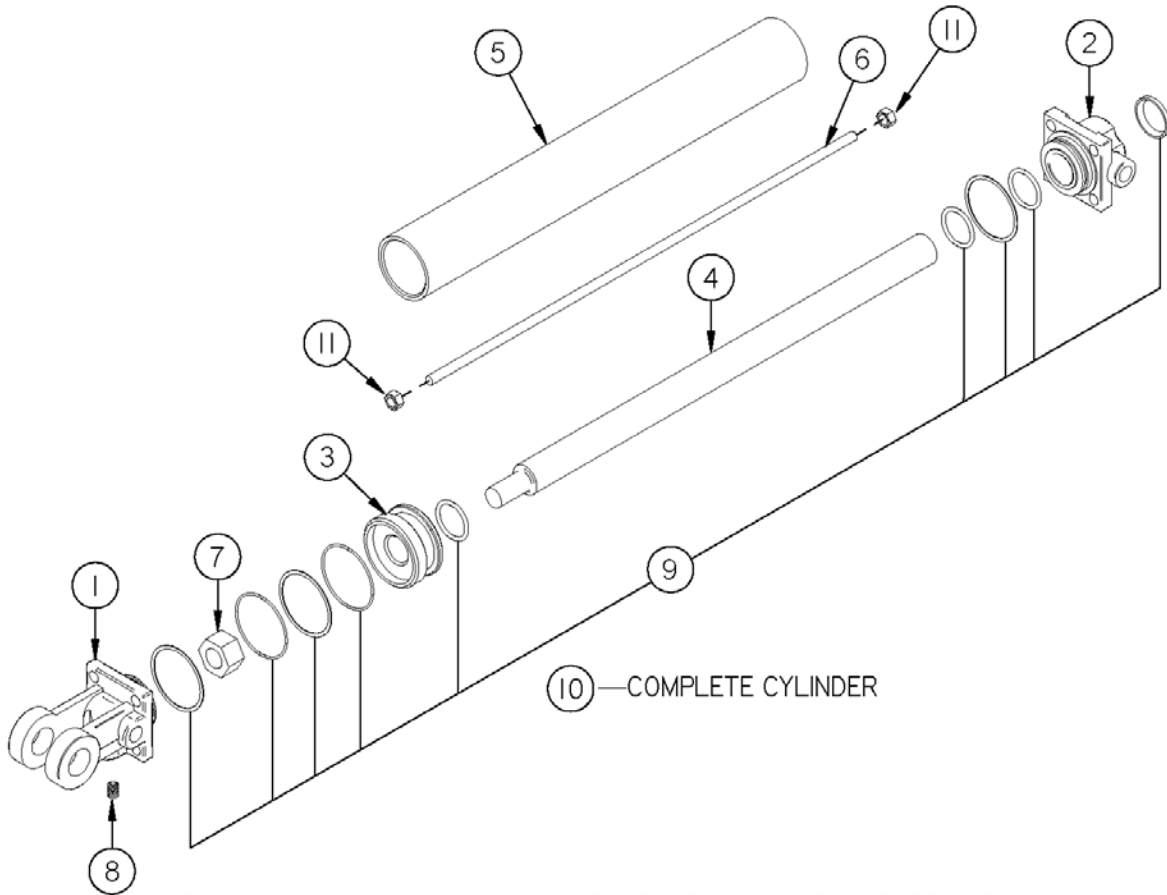


<u>ITEM</u>	<u>QTY</u>	<u>PART #</u>	<u>DESCRIPTION</u>
1	1	LW257	GEAR CASE
2	1	G89	GREASE FITTING
3	4	LW258	BEARING (99-R12)
4	4	LW259	BEARING BUSHING
5	1	LW260	SPUR GEAR (18 TOOTH)
6	1	LW261	SPUR GEAR (28 TOOTH)
7	1	LW264	GEAR CASE COVER
8	2	LW266	O-RING 1-3/4" ID X 2" OD
9	1	LW279	ROLLER (LARGE)
10	2	LW269	RETAINING RING
11	1	LW271	IDLER END PLATE
12	1	LW278	ROLLER (SMALL)
13	2	YPEX08020	EXPANSION PIN, 1/4" X 2"
14	1	YSHS12030	SOCKET HEAD CAP SCREW, 3/8"-24 X 5/8"
15	1	YSHS14005	SOCKET HEAD CAP SCREW, 7/16" X 1/2"
16	2	YSHS20005	SOCKET HEAD CAP SCREW, 5/8" X 1"
17	2	YSHS20010	SOCKET HEAD CAP SCREW, 5/8" X 1-1/4"
18	4	YSMP64005	10-32 X 1/2" MACHINE SCREW
19	1	YWHC12005	WASHER, LOCK, HI COLLAR, 3/8"
20	1	YWHC14005	WASHER, LOCK, HI COLLAR, 7/16"
21	6	YWHC20005	WASHER, LOCK, HI COLLAR, 5/8"
*	1	LW280	COMPLETE TENSIONER

**NOTE: \* MEANS NOT SHOWN**

# FIGURE 14

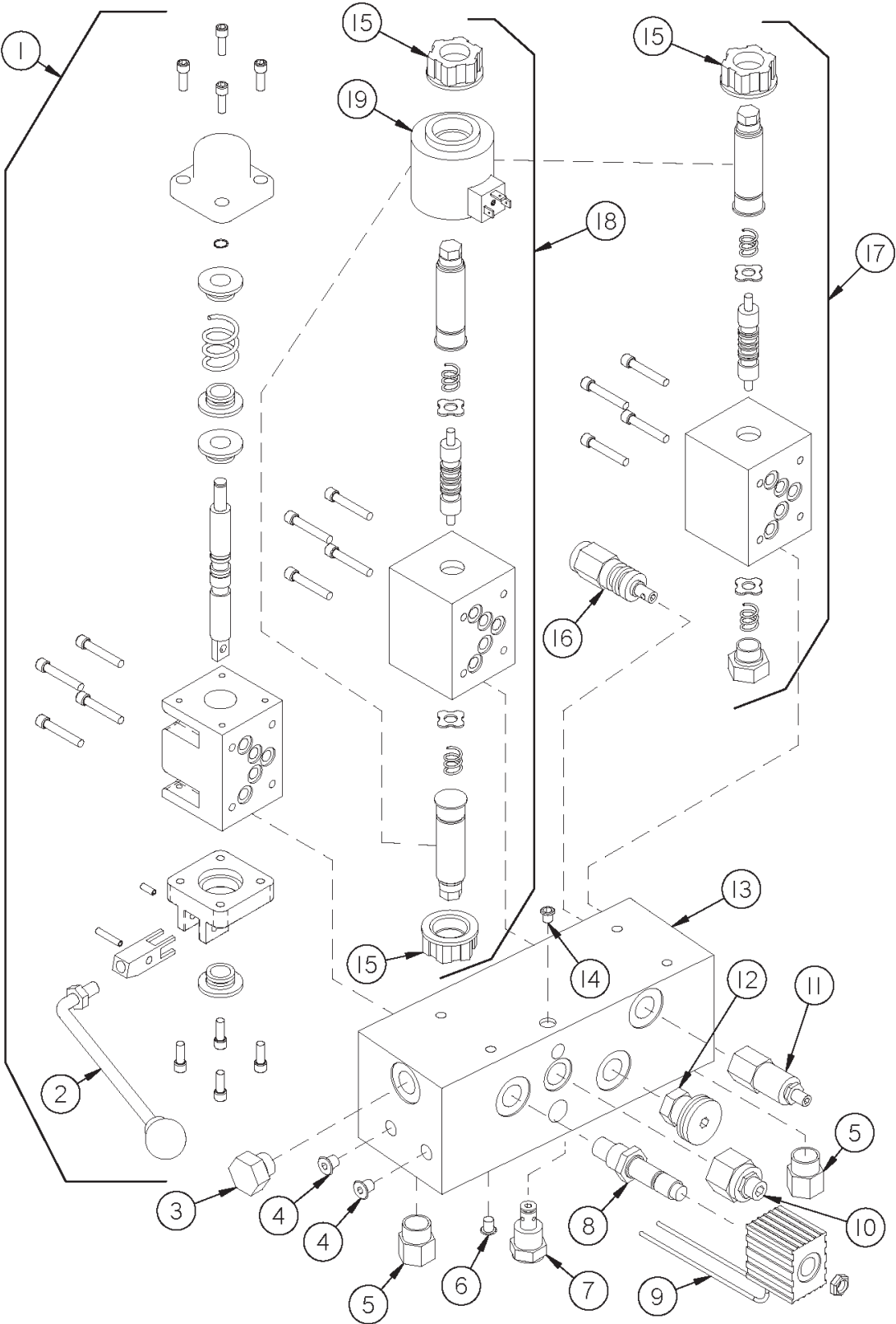
## OPTIONAL HYDRAULIC STEERING CYLINDER (2 X 16)



<u>ITEM</u>	<u>QTY</u>	<u>PART #</u>	<u>DESCRIPTION</u>
1	1	23N142A	CLEVIS CAP
2	1	56174	ROD CAP
3	1	56180	PISTON
4	1	23N145A	ROD
5	1	23N146	CYLINDER TUBE
6	4	23N147	TIE ROD
7	1	23N148	PISTON NUT
8	1	23N149	PLUG
9	1	56187	SEAL KIT
10	1	56315	HYDRAULIC CYLINDER
11	8	YNHX12005	HEX NUT, 3/8"-16

# FIGURE 15

# MAIN VALVE



# **FIGURE 15**

## **MAIN VALVE**

<b><u>ITEM</u></b>	<b><u>QTY</u></b>	<b><u>PART #</u></b>	<b><u>DESCRIPTION</u></b>
1	1	LW357	MANUAL SECTION VALVE (COMPLETE)
*	1	LW358	MANUAL SECTION SEAL KIT
2	1	LW359	HANDLE
3	1	LW294	7/8" O-RING PLUG
4	2	LW306	#6 SAE PLUG
5	2	LW307	7/8" O-RING TO 3/4" O-RING ADAPTER
6	1	LW308	#4 SAE PLUG
7	1	LW309	CHECK VALVE
*	1	LW310	CHECK VALVE SEAL KIT
8	1	LW311	DUMP SOLENOID CORE
*	1	LW312	DUMP SOLENOID SEAL KIT
9	1	LW313	DUMP SOLENOID
10	1	LW314	SEQUENCE VALVE
*	1	LW315	SEQUENCE VALVE SEAL KIT
11	1	LW316	RELIEF VALVE
*	1	LW317	RELIEF VALVE SEAL KIT
12	1	LW318	NEEDLE VALVE
*	1	LW319	NEEDLE VALVE SEAL KIT
13	1	LW320	VALVE MANIFOLD
14	1	LW321	#2 SAE PLUG
15	3	LW360	SOLENOID END CAP
16	1	LW323	FLOW CONTROL
*	1	LW324	FLOW CONTROL SEAL KIT
17	1	LW361	SINGLE SOLENOID VALVE (COMPLETE)
*	1	LW362	SINGLE SOLENOID SEAL KIT
18	1	8548	SOLENOID DIRECTIONAL VALVE DC12V
*	1	LW364	DOUBLE SOLENOID SEAL KIT
19	3	LW365	SOLENOID
*	1	LW366	MAIN VALVE (COMPLETE)

**NOTE: \* MEANS NOT SHOWN**







**H&S MFG. CO.**

products approved

for the

**FEMA**

**SEAL OF QUALITY**

