



PARTS BOOK

FB745219

FORAGE BOX

Part #HS101734

Rev. #00

HSMFG031424

Starting Ser. #422C519001



INSTRUCTIONS FOR ORDERING PARTS

All service parts should be ordered through your authorized H&S dealer. Your Dealership will be able to give you faster service if you will provide them with the following:

1. All references to left or right apply to the machine as viewed from the rear.
2. Parts should not be ordered from illustration only. Please order complete part number.
3. If your dealer has to order parts - give shipping instructions:

VIA truck - large pieces (please specify local truck lines)

VIA United Parcel Service (include full address)

H&S MFG. CO. INC.	
MARSHFIELD, WIS.	
MOD. NO.	<input type="text"/>
SER. NO.	<input type="text"/>
DESCR.	<input type="text"/>

PLEASE RECORD NUMBERS FOR YOUR UNIT FOR QUICK REFERENCE

H&S IS CONTINUALLY STRIVING TO IMPROVE ITS PRODUCTS

We must, therefore, reserve the right to make improvements or changes whenever it becomes practical to do so, without incurring any obligation to make changes or additions to the equipment previously sold.

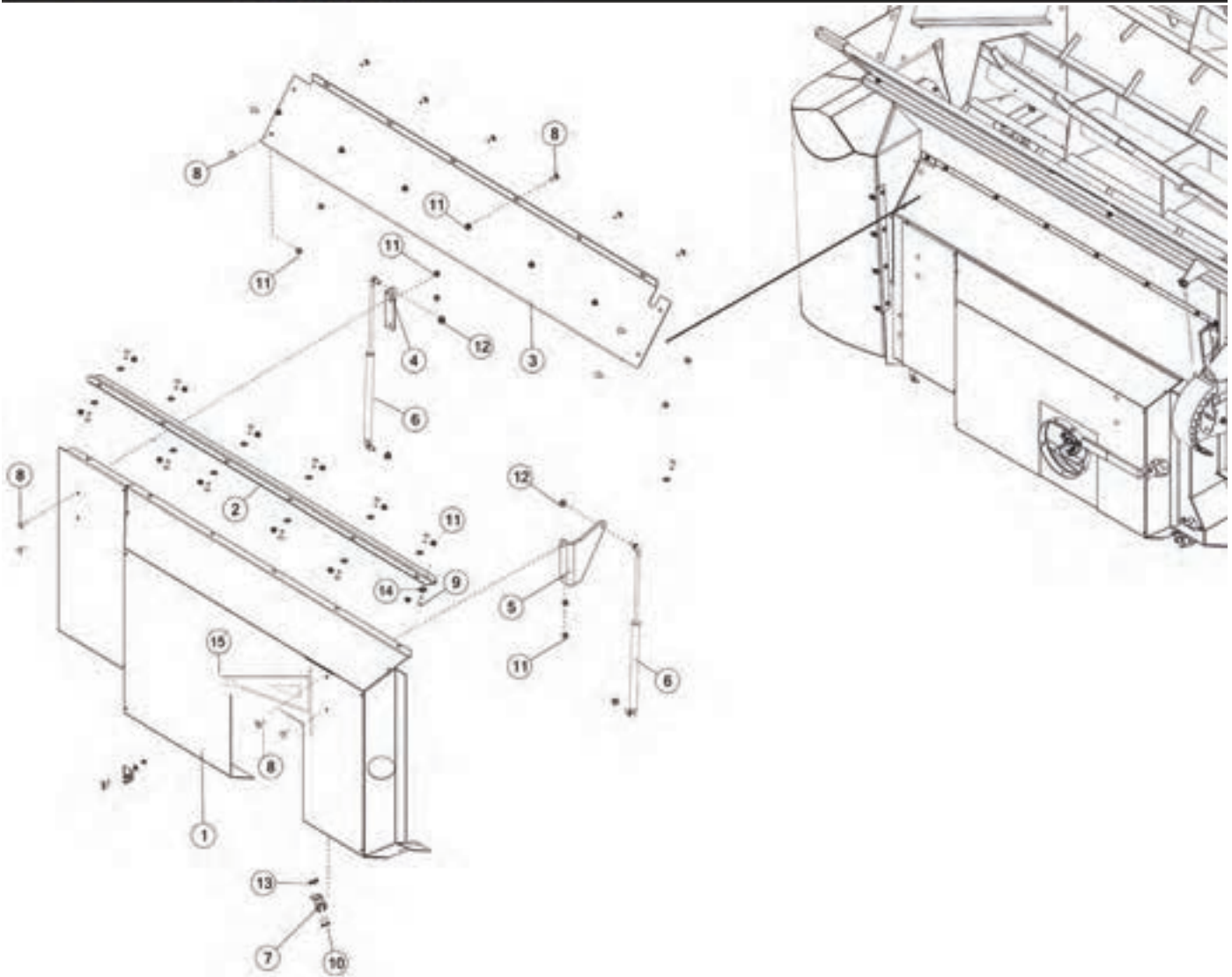


CROSS CONVEYOR UNIT



CROSS CONVEYOR

FIGURE #	CONTENTS	PAGE #
1	FRONT SHIELDS & COMPONENTS	4
2	SIDE SHIELD & COMPONENTS	5
3	TOP FRONT SHIELDS & COMPONENTS	6-7
4	CROSS CONVEYOR PANELS & COMPONENTS	8
5	RETURN PANEL & COMPONENTS	9
6	BEATER PANEL & COMPONENTS LH	10-11
7	EXTENSION & COMPONENTS	12-15
8	EXTENSION CYLINDER & COMPONENTS	16-17
9	HOUSING PANEL & COMPONENTS RH	18-19
10	BEATER COMPONENTS RH	20-21
11	BEATER COMPONENTS LH	22-23
12	SIDE DOOR & COMPONENTS RH	24-25
13	BEATER SHIELD & COMPONENTS	26-27
14	APRON DRIVE SHAFT & COMPONENTS	28-29
15	BEATER CHAINS & SPROCKETS.	30-31
16	MAIN APRON & CROSS CONVEYOR DRIVE	32-33
17	CLUTCH COMPONENTS	34-35
18	SHEAVES/BELTS & COMPONENTS	36-37
19	FRONT DRIVE CHAIN/SPROCKET & COMPONENTS	38-39
20	FRONT DRIVE/BELTS & COMPONENTS	40-41
21	BEATER GEARBOX	42-43
22	WORM GEARBOX	44-45
23	PTO 540 RPM LONG	46
24	PTO 540 RPM STANDARD	47
25	OPTIONAL TOP BEATER	48-49
26	HYDRAULIC DRIVE KIT	50-51
27	ELECTRIC CAB CONTROL KIT	52-53

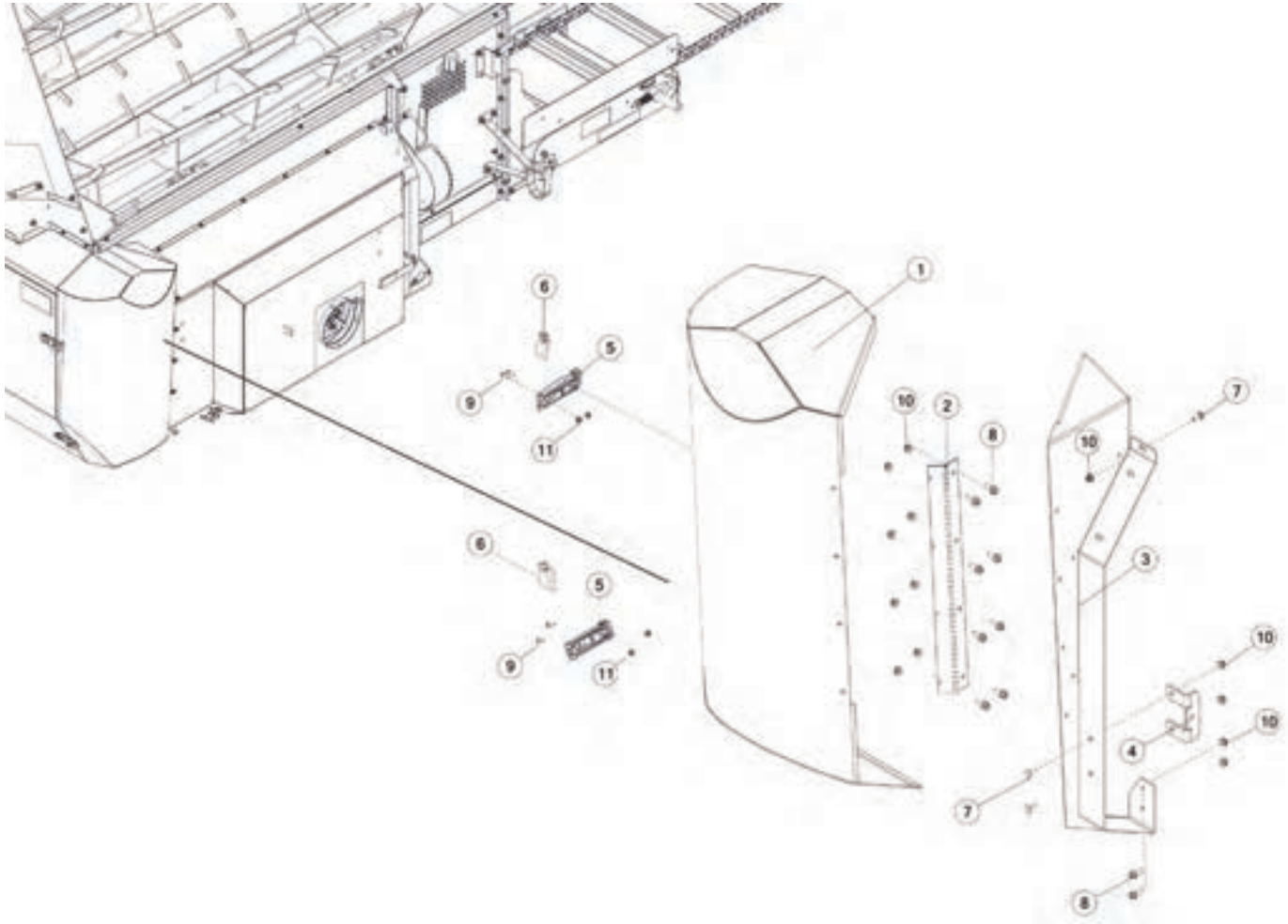


REF #	PART #	DESCRIPTION	QTY
1	79104	DOOR SHIELD, FRONT	1
2	79039	PIANO HINGE	1
3	74148	SHIELD, FRONT	1
4	80594	GAS SPRING UPPER BRACKET RH	1
5	80597	GAS SPRING UPPER BRACKET LH	1
6	80583	GAS SPRING	1
7	X233	LATCH CATCH	2
8	YBCR08040	BOLT CARRIAGE, 1/4 X 3/4 G5	14
9	YSFS08010	BOLT FLAT SOCKET HEAD, 1/4 X 3/4	12
10	YSPN64005	SCREW PAN HEAD, 10 X 5/8	4
11	YNFG08010	NUT FLANGE, 1/4	26
12	YNFG10005	NUT FLANGE, 5/16	2
13	YNNY64005	NUT HEX, #10-24, G2	4
14	YWFL08005	WASHER FLAT, 1/4	12
15	91236	BRACKET, HOSE TETHER	1



FIGURE 2

SIDE SHIELD & COMPONENTS



REF #	PART #	DESCRIPTION	QTY
1	81415B	CORNER SHIELD, ROUND FRONT	1
2	74267	PIANO HINGE	1
3	81533	INSIDE CORNER SHIELD, FRONT	1
4	80595	GAS SPRING LOWER BRACKET RH	1
5	80180	DRAW LATCH	2
6	YPLY08011	LYNCH PIN, 1/4 X 1-9/16	2
7	YBCR08040	BOLT CARRIAGE, 1/4 X 3/4 G5	3
8	YBFB08075	BOLT FLANGE, 1/4 X 3/4 G5	10
9	YSPP62006	SCREW PAN HEAD, #8-32 X 1/2	4
10	YNFG08010	NUT FLANGE, 1/4	13
11	YNNY62005	NUT HEX, #8-32 G2	4



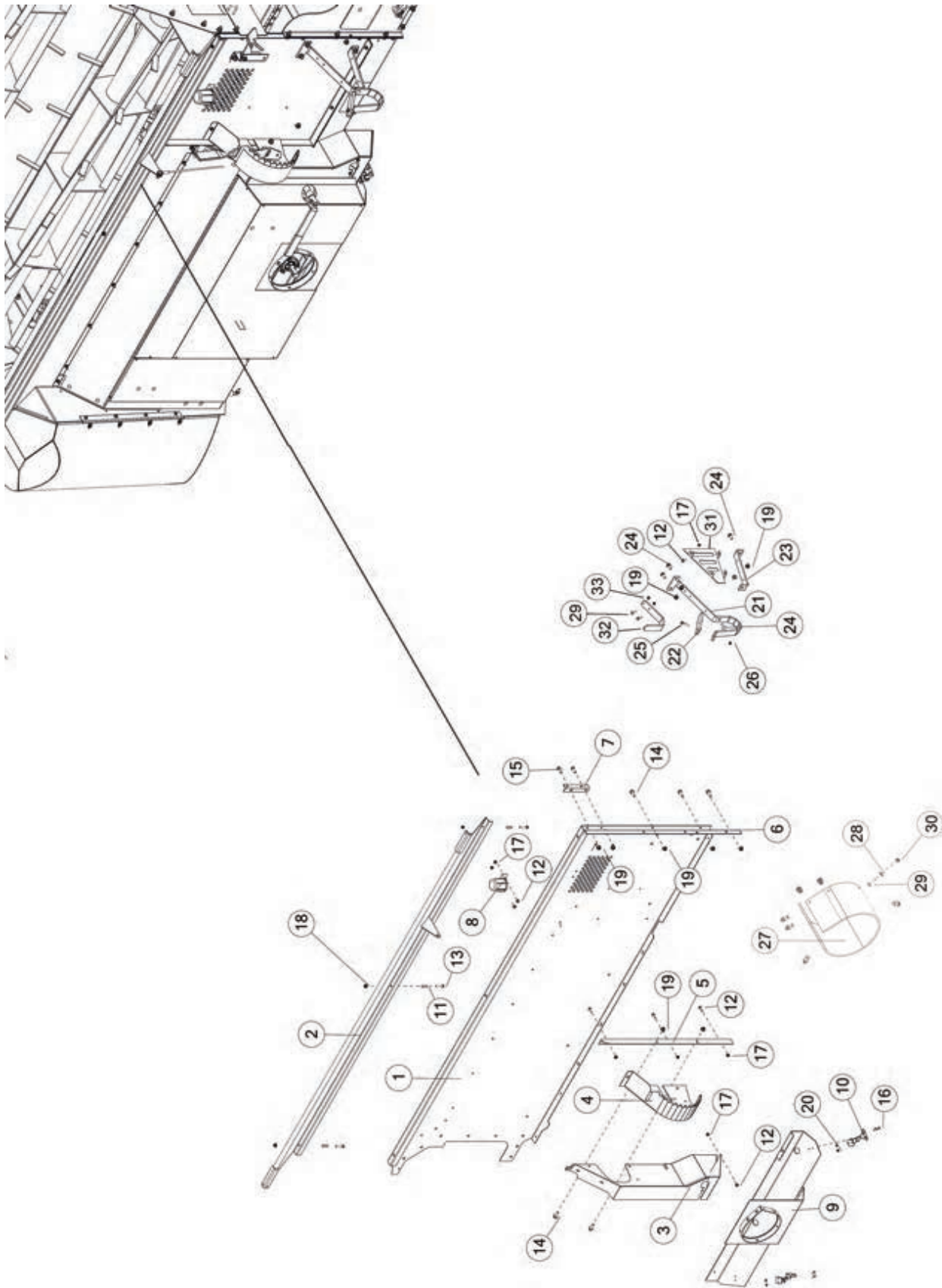


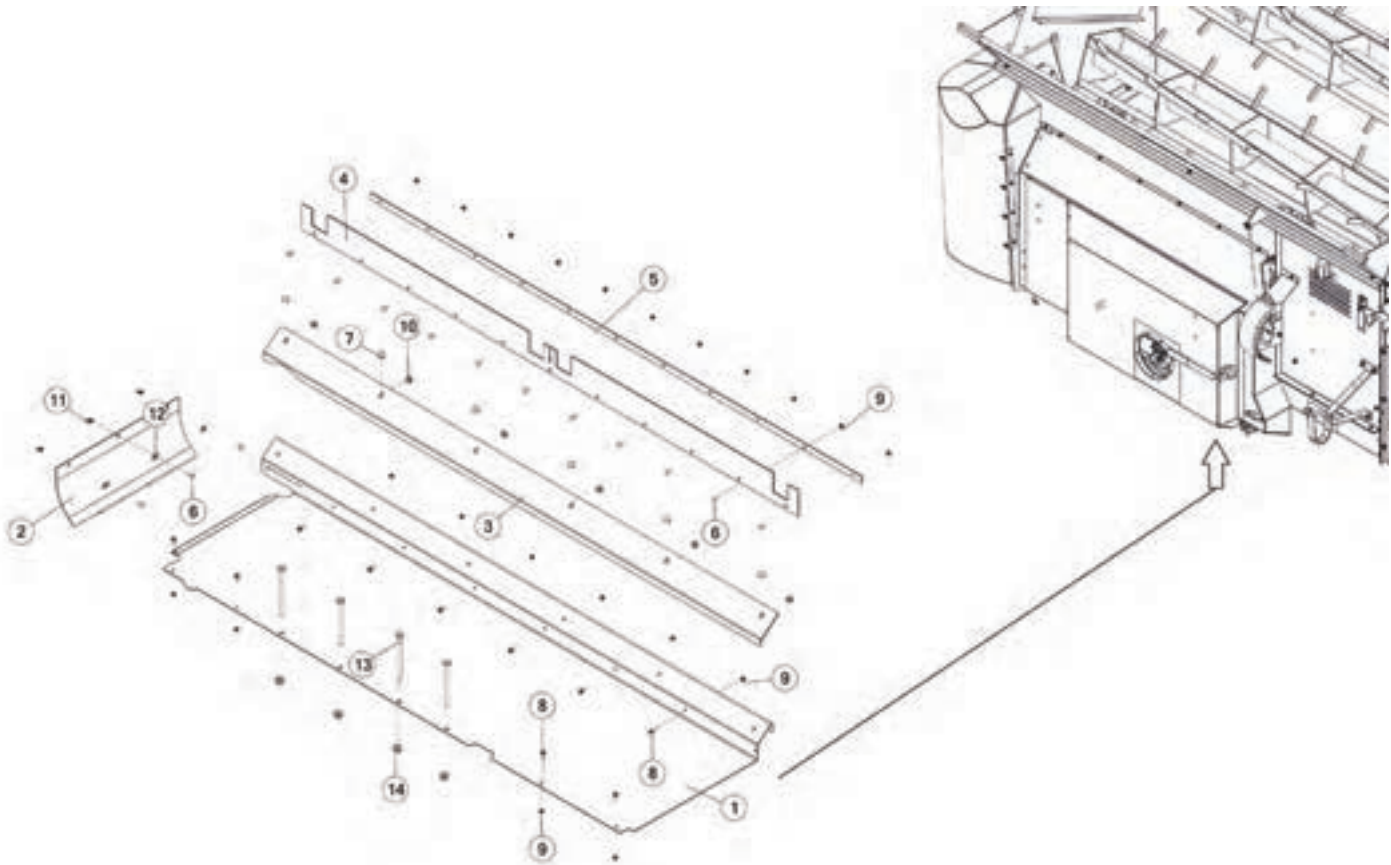


FIGURE 3

TOP FRONT SHIELD & COMPONENTS

REF #	PART #	DESCRIPTION	QTY
1	78956B	UNIT PANEL, FRONT	1
2	79098	EMERGENCY STOP PANEL	1
3	79037	SHIELD, FRONT LH	1
4	73302	SPEED SELECTOR BRACKET	1
5	73314	PANEL BRACE, FRONT	1
6	73287	SUPPORT BRACKET, FRONT	1
7	73343	ANGLE BRACKET, CORNER LH	1
8	CHM38	PLUG STORAGE	1
9	79040	PTO SHIELD	1
10	X233	LATCH ASSEMBLY	2
11	S7	SPRING	3
12	YBFB08075	BOLT FLANGE, 1/4 X 3/4 G5	9
13	YBFB08150	BOLT FLANGE, 1/4 X 1-1/2 G5	3
14	YBFB12003	BOLT FLANGE, 3/8 X 1 G5	5
15	YBHH12010	BOLT HEX, 3/8 X 1 G5	2
16	YSPN64005	SCREW PAN HEAD, 10 X 5/8	4
17	YNFG08010	NUT FLANGE, 1/4	10
18	YNFG10005	NUT FLANGE, 5/16	3
19	YNFG12006	NUT FLANGE, 3/8	11
20	YNNY64005	NUT HEX, 10-24 G2	4
21	80558	TOP PTO BRACKET	1
22	S78	RUBBER TAB	1
23	80559	HOLDER BRACKET	1
24	YBCR12010	BOLT CARRIAGE, 3/8 X 1 G5	4
25	YBFB08125	BOLT FLANGE, 1/4 X 1-1/4 G5	1
26	YNFG08010	NUT FLANGE, 1/4	1
27	79070	PTO RUBBER	1
28	YWFL08005	WASHER FLAT, 1/4	7
29	YBHH08010	BOLT HEX, 1/4 X 1	9
30	YNNY08005	NUT HEX, 1/4	7
31	80561	HOSE HOLDER	1
32	80562	HYDRAULIC HOSE HOLDER	1
33	YNRL08005	NUT HEX, 1/4	2



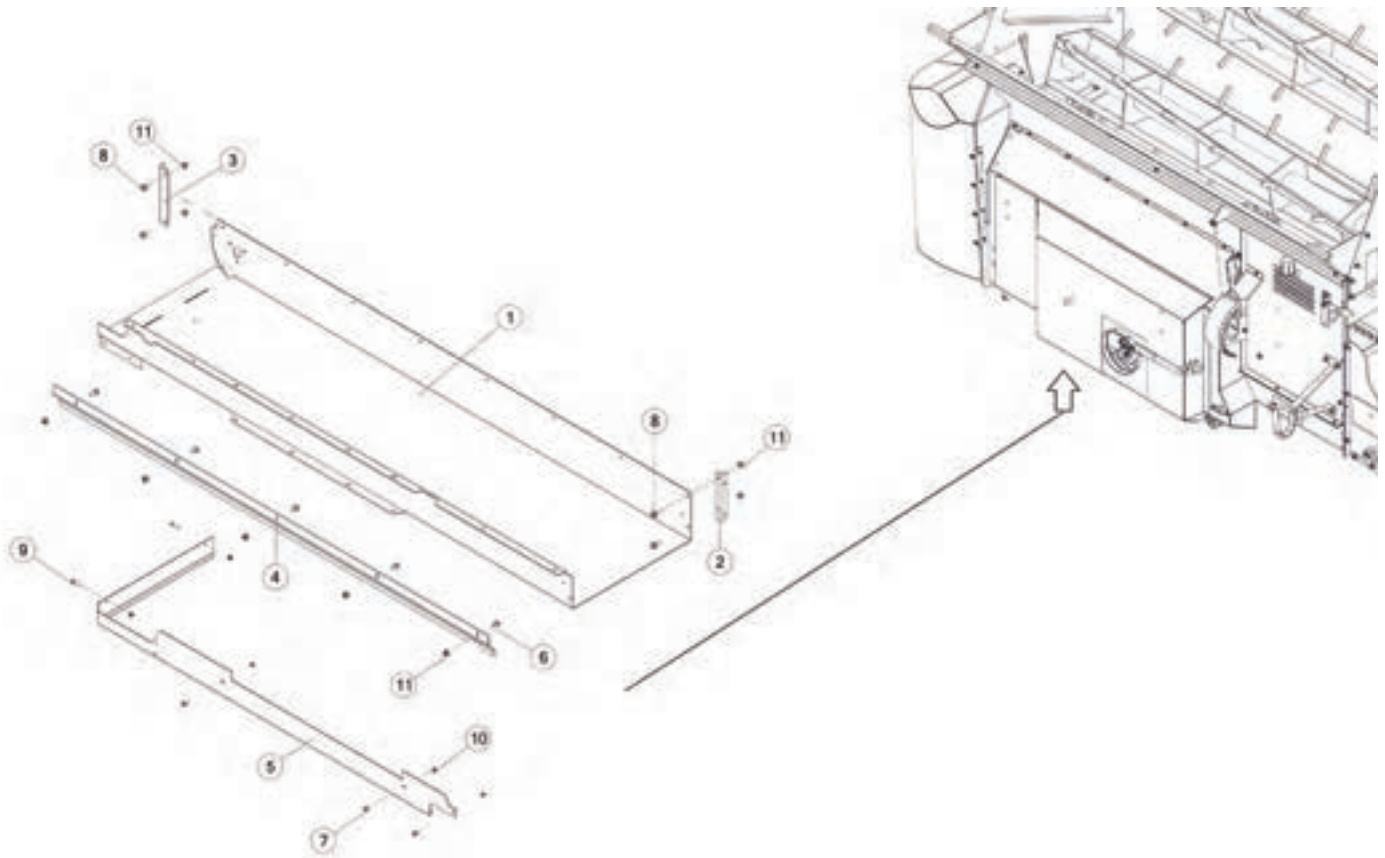


REF #	PART #	DESCRIPTION	QTY
1	78955	CROSS APRON PAN	1
2	79108	RETURN PAN	1
3	72888	HOLD DOWN	1
4	S306	RUBBER SEAL	1
5	S288	RUBBER SEAL STRAP	1
6	YBCR08040	BOLT CARRIAGE, 1/4 X 3/4 G5	14
7	YBCR12065	BOLT CARRIAGE, 3/8 X 3/4 G5	6
8	YBFB08075	BOLT FLANGE, 1/4 X 3/4 G5	10
9	YNFG08010	NUT FLANGE, 1/4	21
10	YNFG12006	NUT FLANGE, 3/8	6
11	YNWG08005	NUT WING, 1/4	3
12	YNSP08005	NUT SPRING, RCT FLAT, 1/4 X 1	3
13	YBHH16175	BOLT HEX, 1/2 X 6-1/2 G5	4
14	YNFG16003	NUT FLANGE, 1/2	4



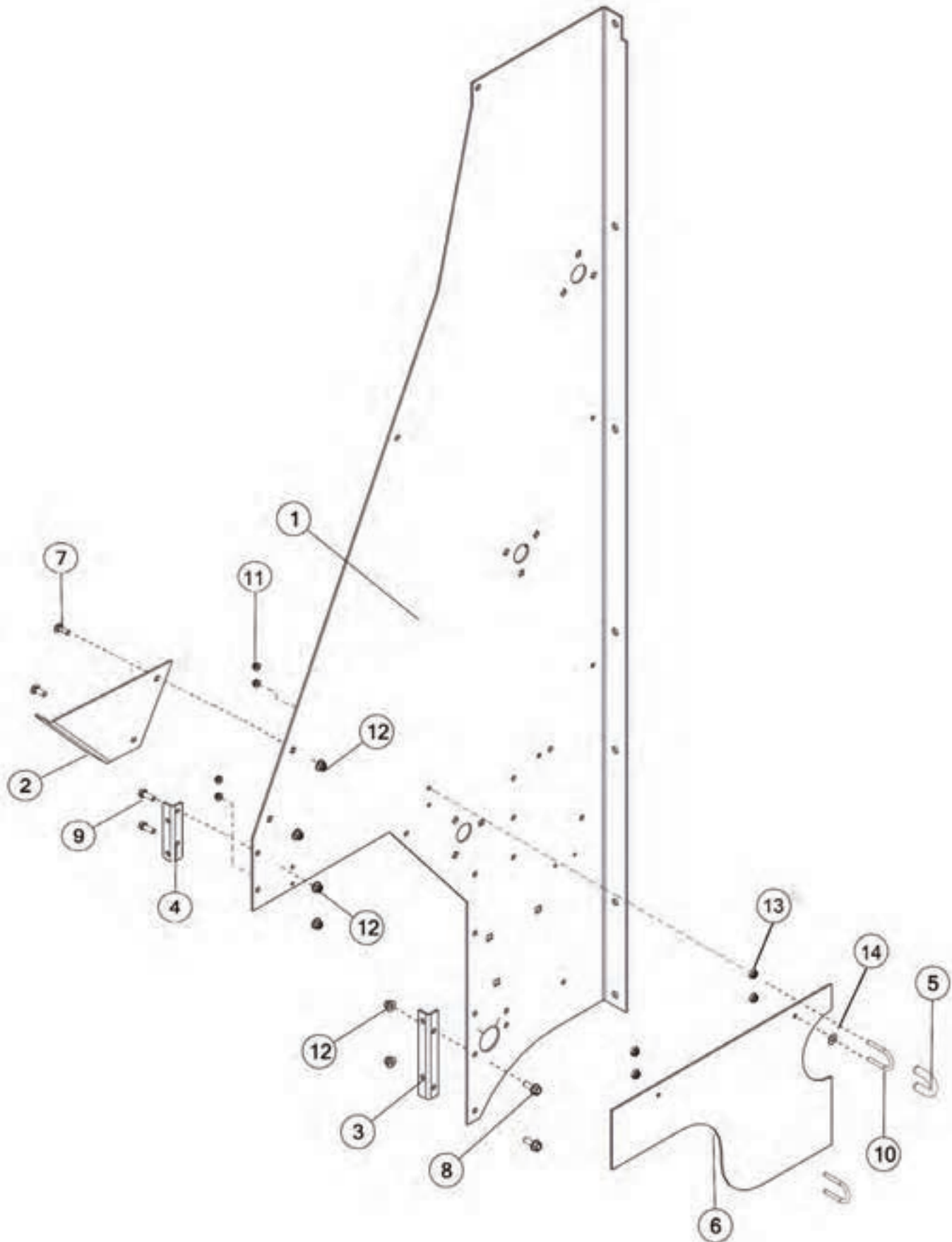
FIGURE 5

RETURN PANEL & COMPONENTS



REF #	PART #	DESCRIPTION	QTY
1	78950B	RETURN PAN, FRONT	1
2	73342	RETURN PAN BRACKET ANGLE LH	1
3	78977	RETURN PAN BRACKET ANGLE RH	1
4	73353	HOLDOWN, FRONT	1
5	79101	SHIELD, LOWER FRONT	1
6	YBCR12065	BOLT CARRIAGE, 3/8-16 X 3/4 G5	5
7	YBFB08075	BOLT FLANGE, 1/4 X 3/4 G5	3
8	YBFB12003	BOLT FLANGE, 3/8 X 1 G5	4
9	YBFB08100	BOLT FLANGE, 1/4 X 1 G5	2
10	YNFG08010	NUT FLANGE, 1/4	5
11	YNFG12006	NUT FLANGE, 3/8	9





REF #	PART #	DESCRIPTION	QTY
1	86543B	PANEL, SIDE LH	1
2	80620	EMERGENCY STOP BRACKET LH	1
3	73342	RETURN PAN ANGLE BRACKET LH	1
4	73343	ANGLE BRACKET, CORNER LH	1
5	S1	SPRING	1
6	79107	CROSS APRON SHIELD	1
7	YBCR12010	BOLT CARRIAGE, 3/8 X 1 G5	2
8	YBFB12003	BOLT FLANGE, 3/8 X 1 G5	2
9	YBHH12010	BOLT HEX, 3/8 X 1 G5	2
10	YBPU08005	BOLT U, 1/4 X 3/4	2
11	YNFG08010	NUT FLANGE, 1/4	4
12	YNFG12006	NUT FLANGE, 3/8	6
13	YNHX08005	NUT HEX, 1/4	4
14	YNFL10005	WASHER FLAT, 5/16	1



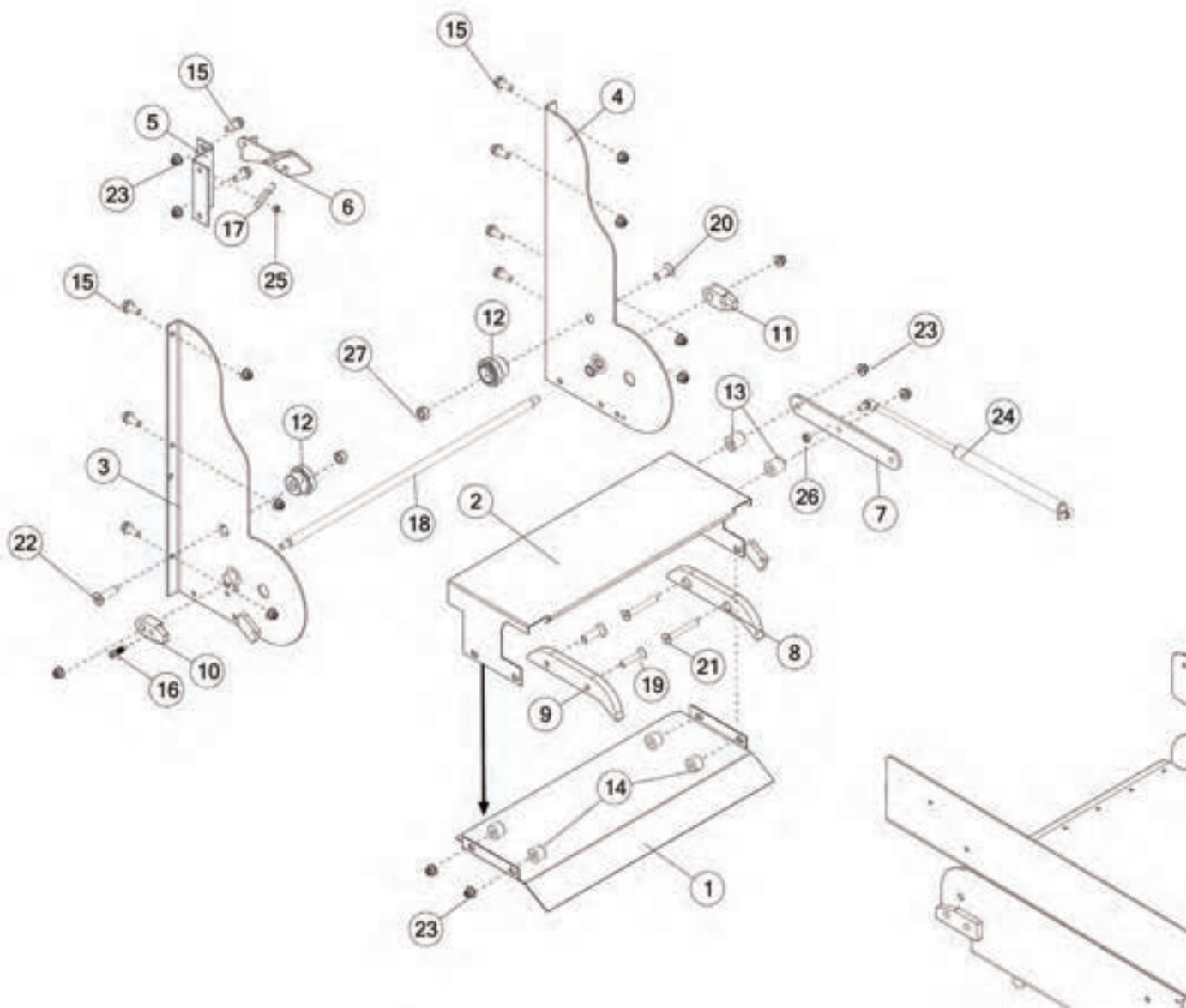




FIGURE 7

EXTENSION & COMPONENTS

REF #	PART #	DESCRIPTION	QTY
1	72774	STEEL PANEL, RETURN PAN, BOTTOM	1
2	72775	PAN EXTENSION	1
3	73011	PANEL EXTENSION, FRONT	1
4	72788	PANEL EXTENSION, BACK	1
5	72787	LOCK BRACKET EXTENSION	1
6	76543	LONG EXT LATCH	1
7	72982	GAS STRUT MOUNT PLATE, 10-3/4 X 1-1/2 X 1/4	1
8	75739	CHAIN SLIDE POLY, 5/8	1
9	75748	CHAIN SLIDE POLY, 5/8	1
10	76647	STOP CAM PLATE, 2-3/4 X 1-1/4 X 3/4	1
11	76720	STOP CAM PLATE, 2-5/8 X 1-1/4 X 3/4	1
12	80574	CHAIN ROLLER HOLDOWN	2
13	72984	SPACER, 1	2
14	75746	SPACER	2
15	YBFB12003	BOLT FLANGE, 3/8 X 1 G5	4
16	76723	RETRACT SPRING PIN, 0.38-16	1
17	GM208	LATCH SPRING	1
18	76680	EXTENSION STOP	1
19	YSFS12017	BOLT FLAT SOCKET, 3/8 X 2	4
20	YSFS16015	BOLT FLAT SOCKET, 1/2 X 1-1/4	1
21	YSFS12350	BOLT FLAT SOCKET, 3/8 X 3	2
22	YSFS16020	BOLT FLAT SOCKET, 1/2 X 1-3/4	1
23	YNFG12006	NUT FLANGE, 3/8	16
24	TS244	GAS STRUT	1
25	YNHX08006	NUT HEX, 1/4 G5	1
26	YNRL10005	NUT HEX, 5/16	1
27	YNRL16005	NUT HEX, 1/2	4



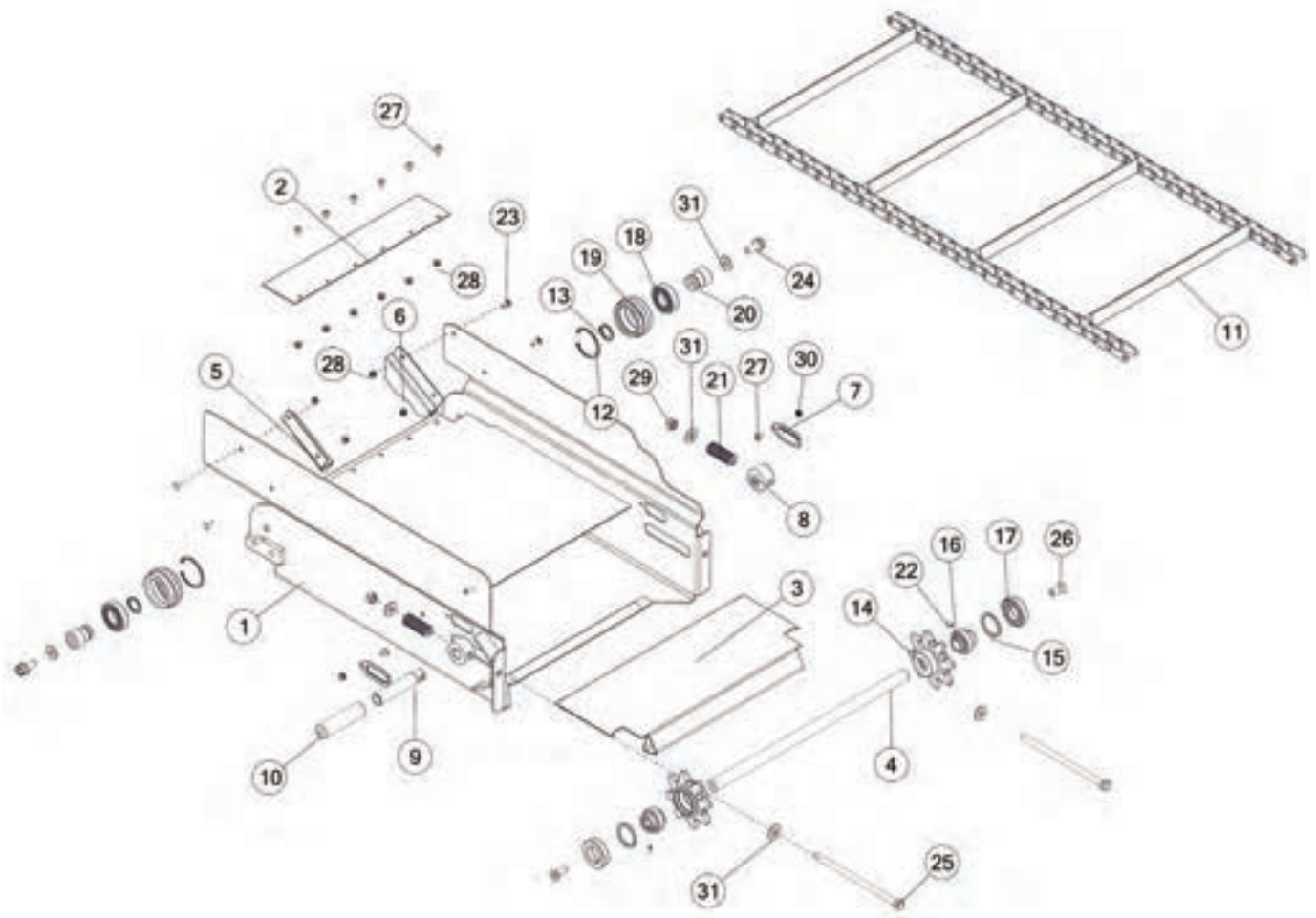




FIGURE 7A

EXTENSION & COMPONENTS

REF #	PART #	DESCRIPTION	QTY
1	72794B	SHELL EXTENSION	1
2	76568	POLY PANEL	1
3	72974	CROSS APRON PAN EXTENTION	1
4	72957	APRON IDLER SHAFT	1
5	77965	EXTENSION SHIELD LH	1
6	77966	EXTENSION SHIELD RH	1
7	SD186	COVER	1
8	SD313	TIGHTENER BLOCK	1
9	SDHPI01	MANUAL LIFT HANDLE	1
10	X41	HANDLE GRIP	1
11	SD306	CROSS CONVEYOR CHAIN	1
12	73378	SNAP RING, INTERNAL STANDARD, 2-1/2	1
13	F73	SNAP RING, 1-1/4	1
14	SD180	SPROCKET, 8T	2
15	SD262	SNAP RING IN-206	2
16	K90	BEARING	2
17	SD312	BEARING SHIELD	2
18	72810	BALL BEARING, 1-1/4	2
19	72781	POLY CHAIN ROLLER	2
20	87449	ROUND SHAFT	2
21	76537	BRAKE SPRING	1
22	YSKP08011	SCREW SET, SOCKET, KNURLED CUP PT, 1/4 X 1/2	2
23	YBCR08035	BOLT CARRIAGE, SN, 1/4 X 3/4	2
24	YBFB16125	BOLT FLANGE, 1/2 X 1-1/4 G5	2
25	YBHH16191	BOLT HEX, 1/2 X 9-1/2 G5	2
26	YSFS16015	BOLT FLAT, SOCKET, 1/2 X 1-1/4	2
27	YSTP08005	SCREW TRUSS HEAD, PHILLIPS MACH, 1/4 X 1/2	7
28	YNFG08010	NUT FLANGE, 1/4	10
29	YNRL16005	NUT HEX, 1/2	2
30	YNSF08005	NUT FLANGE, 1/4 G2	2
31	YWFL16005	WASHER FLAT, 1/2	4





FIGURE 8

EXTENSION CYLINDER & COMPONENTS

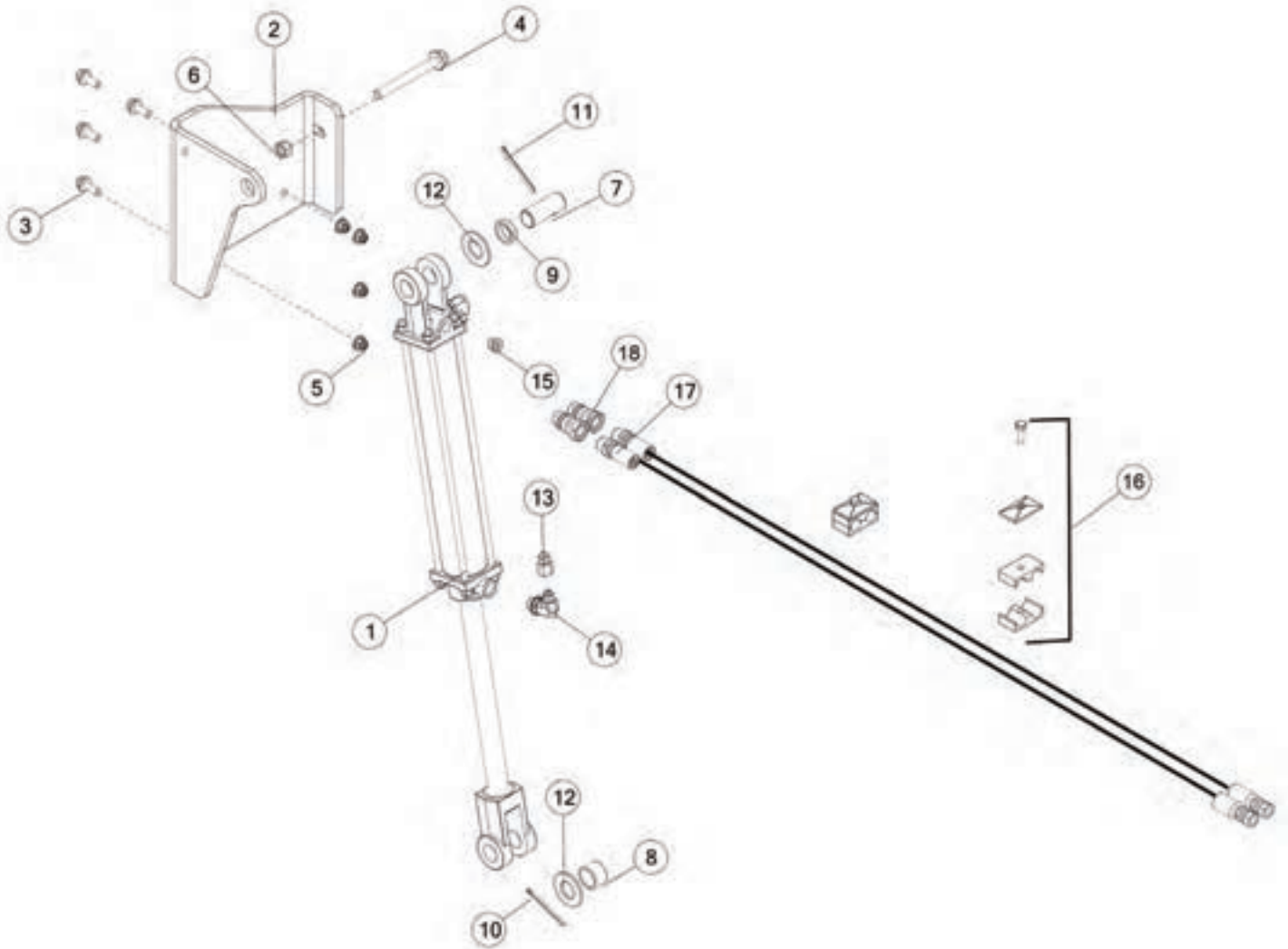




FIGURE 8

EXTENSION CYLINDER & COMPONENTS

REF #	PART #	DESCRIPTION	QTY
1	56450	CYLINDER (3000 PSI) 2 X 12	1
*	56187	SEAL KIT	1
2	80618	HYDRAULIC BRACKET MOUNT	1
3	YBFB12003	BOLT FLANGE, 3/8 X 1 G5	4
4	YBFB16450	BOLT FLANGE, 1/2 X 4-1/2 G5	1
5	YNFG12006	NUT FLANGE, 3/8	4
6	YNRL16005	NUT HEX, 1/2	1
7	56N141	CYLINDER PIN	1
8	69703	SPACER	1
9	69704	SPACER	1
10	YPCT05035	COTTER PIN, 5/32 X 2-1/2	1
11	YPCT06022	COTTER PIN, 3/16 X 2-1/2	1
12	YWFL32005	WASHER FLAT, 1	2
13	58144	FITTING 6 XHX7-S .062 ORIFICE	1
14	CHM206	FITTING 6 90 DEG TO 3/4-16 ORB	1
15	SD270	HOLLOW HEX PLUG (W/VALVE BODY)	1
16	CHM270	HOSE CLAMP (DOUBLE) COMPLETE, 3/8	2
17	80624	EXTENSION HOSE	2
18	67148	QUICK COUPLER, 8ORB	2



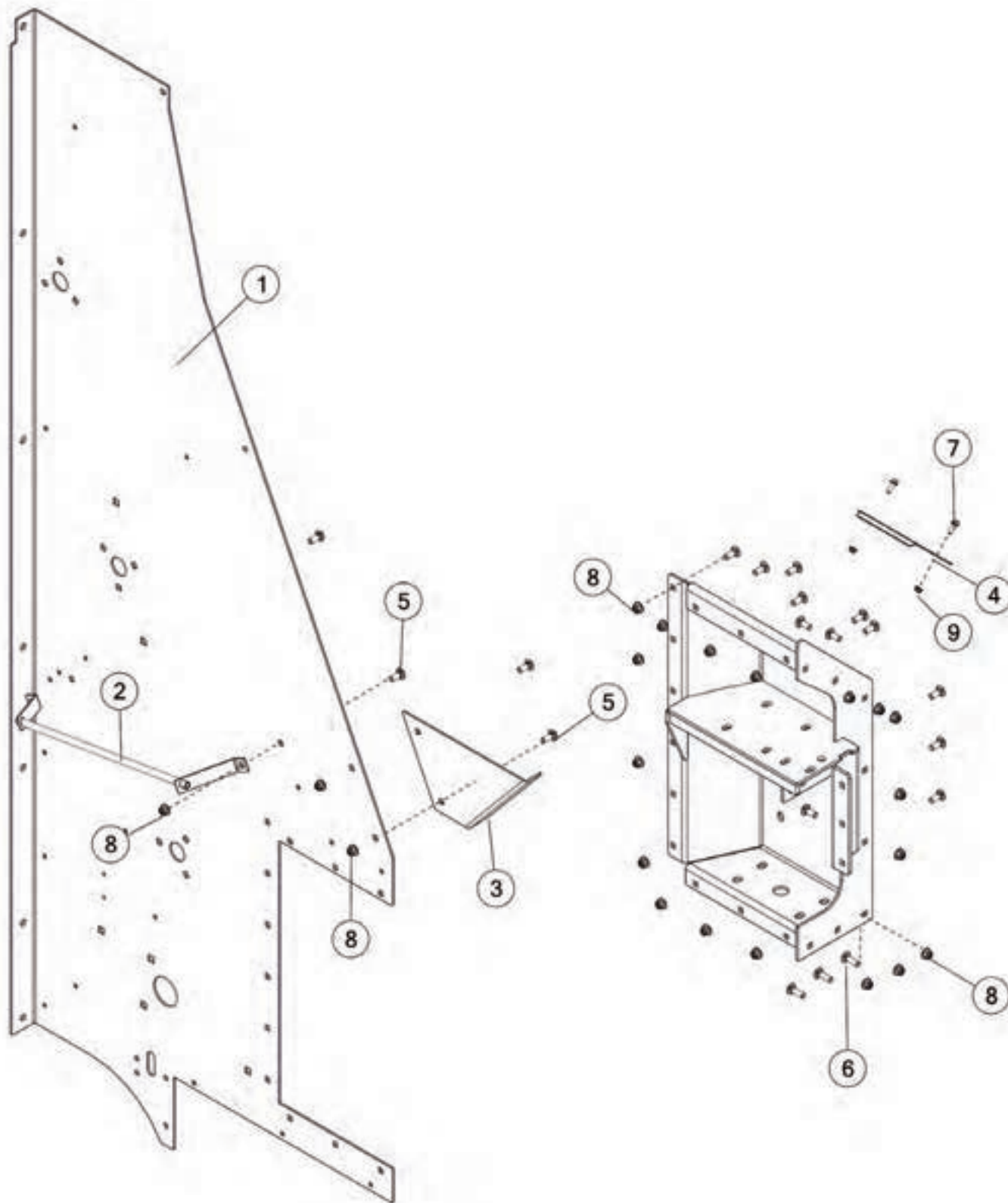




FIGURE 9

HOUSING PANEL & COMPONENTS RH

REF #	PART #	DESCRIPTION	QTY
1	86553B	PANEL, SIDE RH W/DECALS	1
2	80556	SAFETY CABLE GUIDE	1
3	80619	EMERGENCY STOP BRACKET RH	1
4	78960	COVER	1
5	YBCR12010	BOLT CARRIAGE, 3/8 X 1 G5	16
6	YBCR12020	BOLT CARRIAGE, 3/8 X 1-1/4 G5	3
7	YBFB08075	BOLT FLANGE, 1/4 X 3/4 G5	2
8	YNFG12006	NUT FLANGE, 3/8	3
9	YNFG08010	NUT FLANGE, 1/4	2



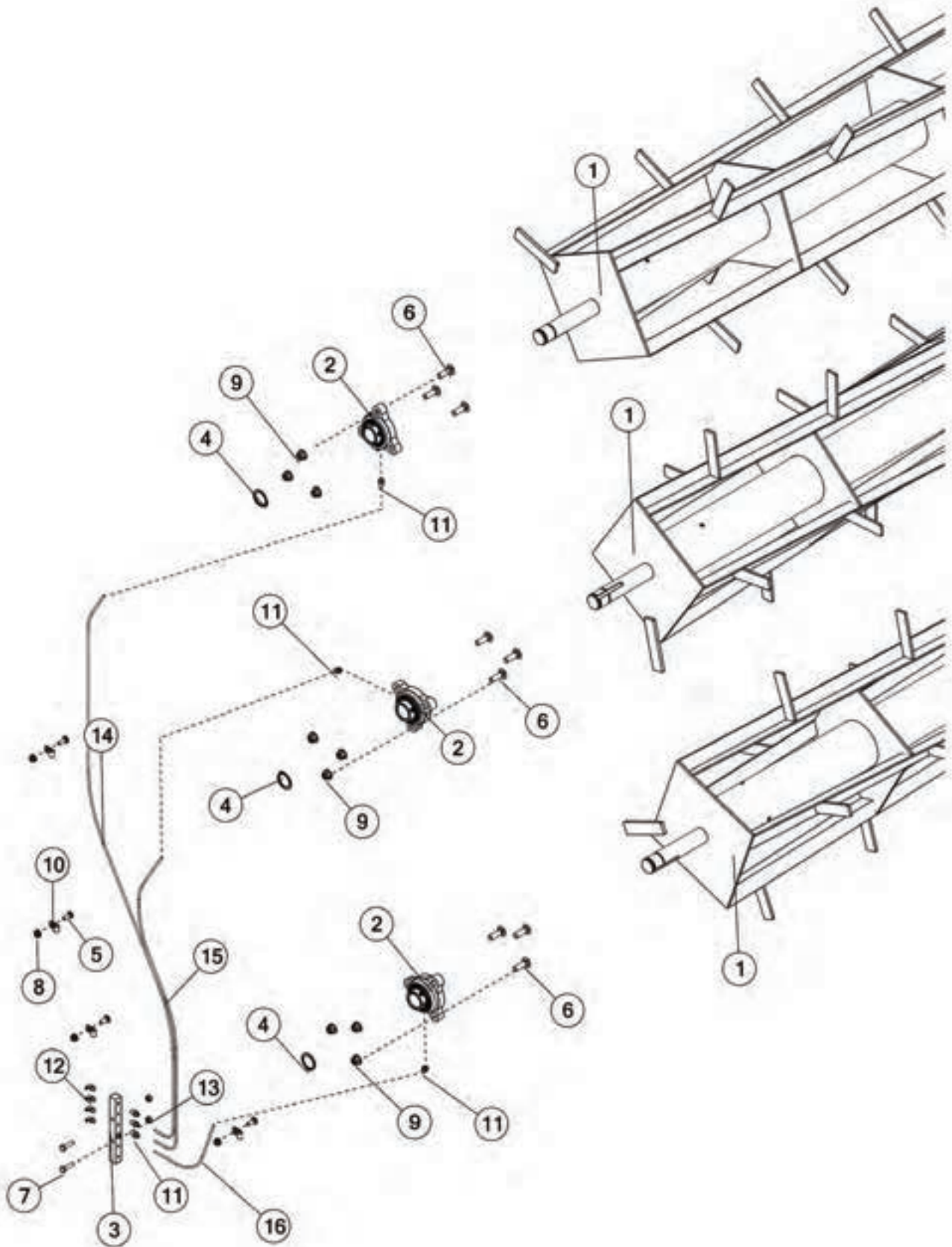


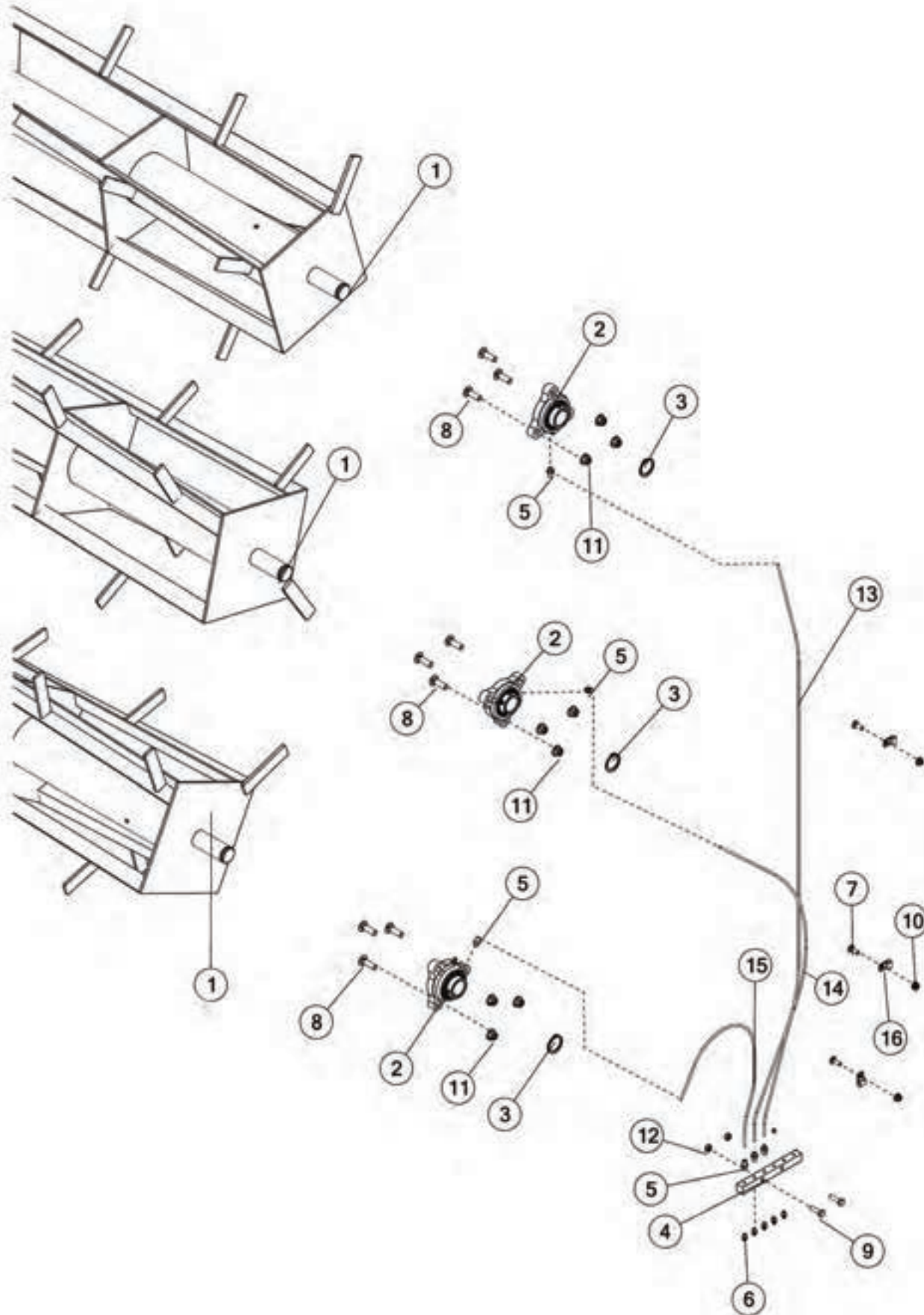


FIGURE 10

BEATER COMPONENTS RH

REF #	PART #	DESCRIPTION	QTY
1	76201	BEATER	3
2	80662	BEARING 1-1/4	3
3	72769	GREASE MANIFOLD	1
4	F73	SNAP RING, 1-1/4	3
5	YBCR08040	BOLT CARRIAGE, 1/4 X 3/4 G5	3
6	YBCR12020	BOLT CARRIAGE, 3/8 X 1-1/4 G5	9
7	YBHH08010	HEX BOLT, 1/4 X 1 G5	2
8	YNGF08010	NUT FLANGE, 1/4	4
9	YNFG12006	NUT FLANGE, 3/8	9
10	83052	CUSHION WIRE CLAMP, 5/16	4
11	54572	GREASE LINE FITTING, STRAIGHT	6
12	RG51	ZERK, 90 DEGREE, 1/4-28	4
13	YNRL08005	NUT HEX, 1/4	2
14	76353	GREASE LINE	1
15	78978	GREASE LINE	1
16	78979	GREASE LINE	1





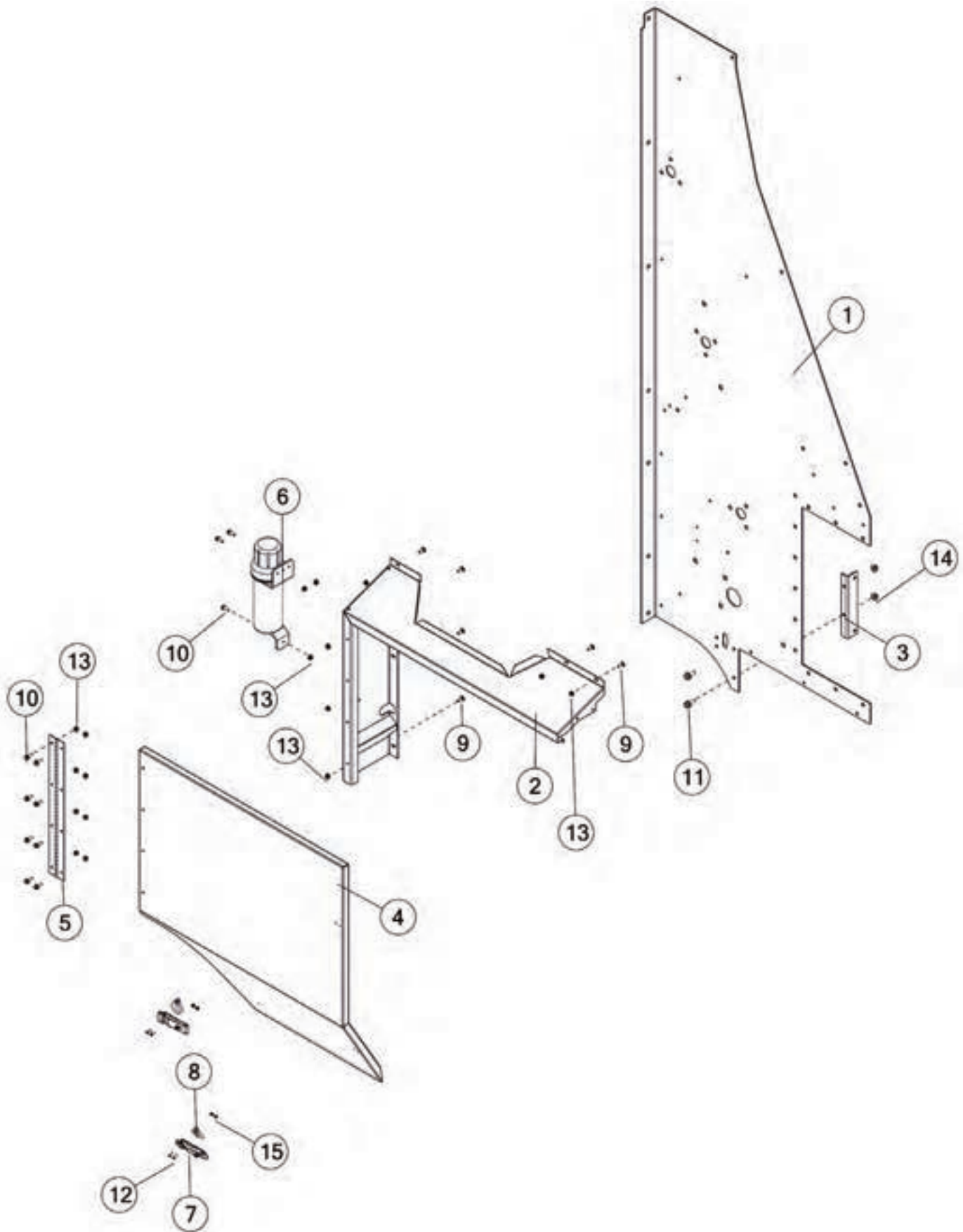




FIGURE 13 BEATER SHIELD & COMPONENTS

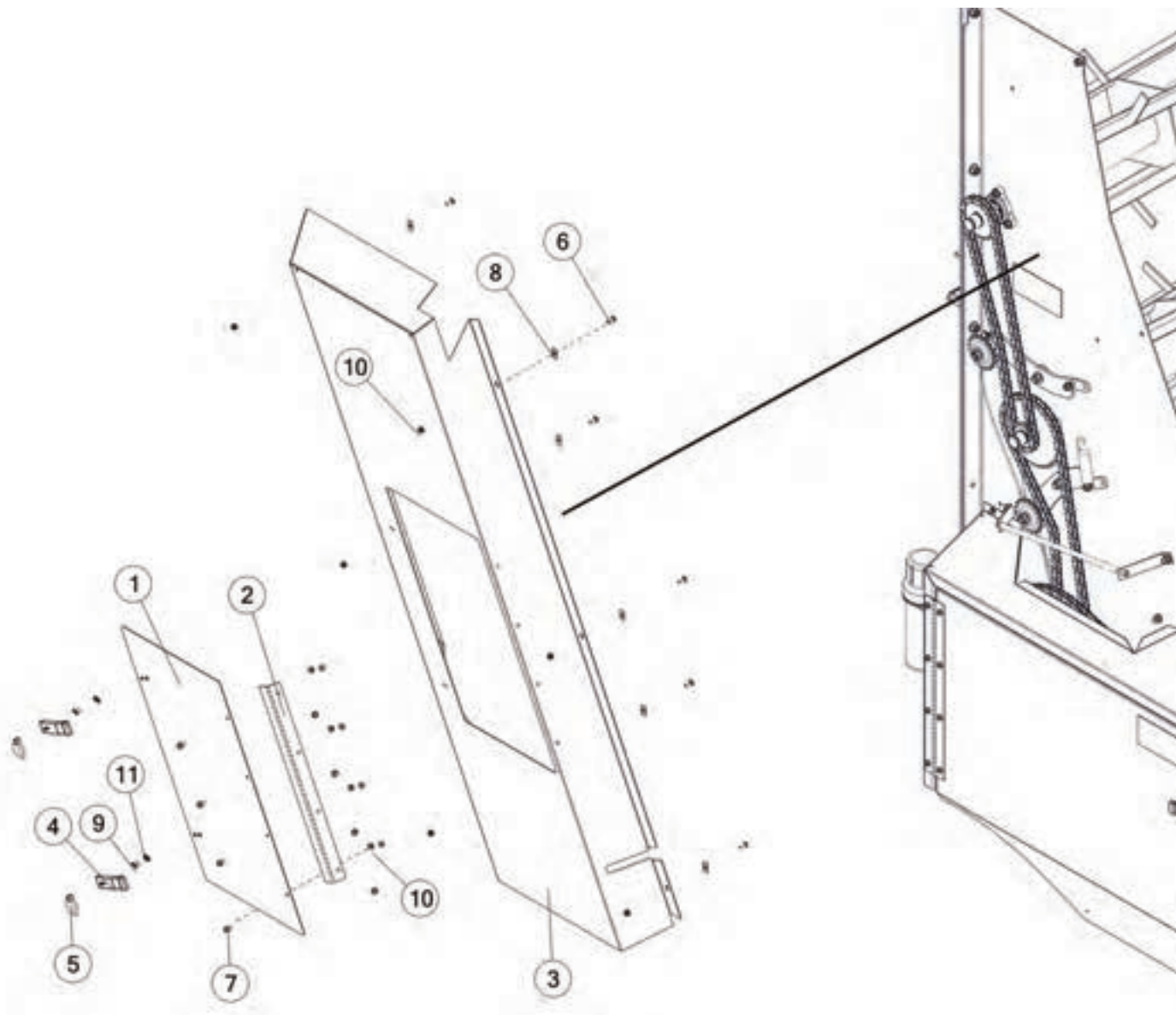




FIGURE 13

BEATER SHIELD & COMPONENTS

REF #	PART #	DESCRIPTION	QTY
1	83246	BEATER SHIELD DOOR	1
2	74267	PIANO HINGE	1
3	83244	BEATER CHAIN SHIELD	1
4	80180	DRAW LATCH	2
5	YPLY08011	LYNCH PIN, 1/4 X 1-9/16	2
6	YBCR08040	BOLT CARRIAGE, 1/4 X 3/4 G5	6
7	YBFB08005	BOLT FLANGE, 1/4 X 1/2 G5	8
8	YNBP08005	NUT SPRING, RCT FLAT, 1/4 X 1	6
9	YSPP62006	SCREW PAN HEAD, #8-32 X .5	4
10	YNFG08010	NUT FLANGE, 1/4	14
11	YNNY62005	NUT HEX, #8-32 G2	4



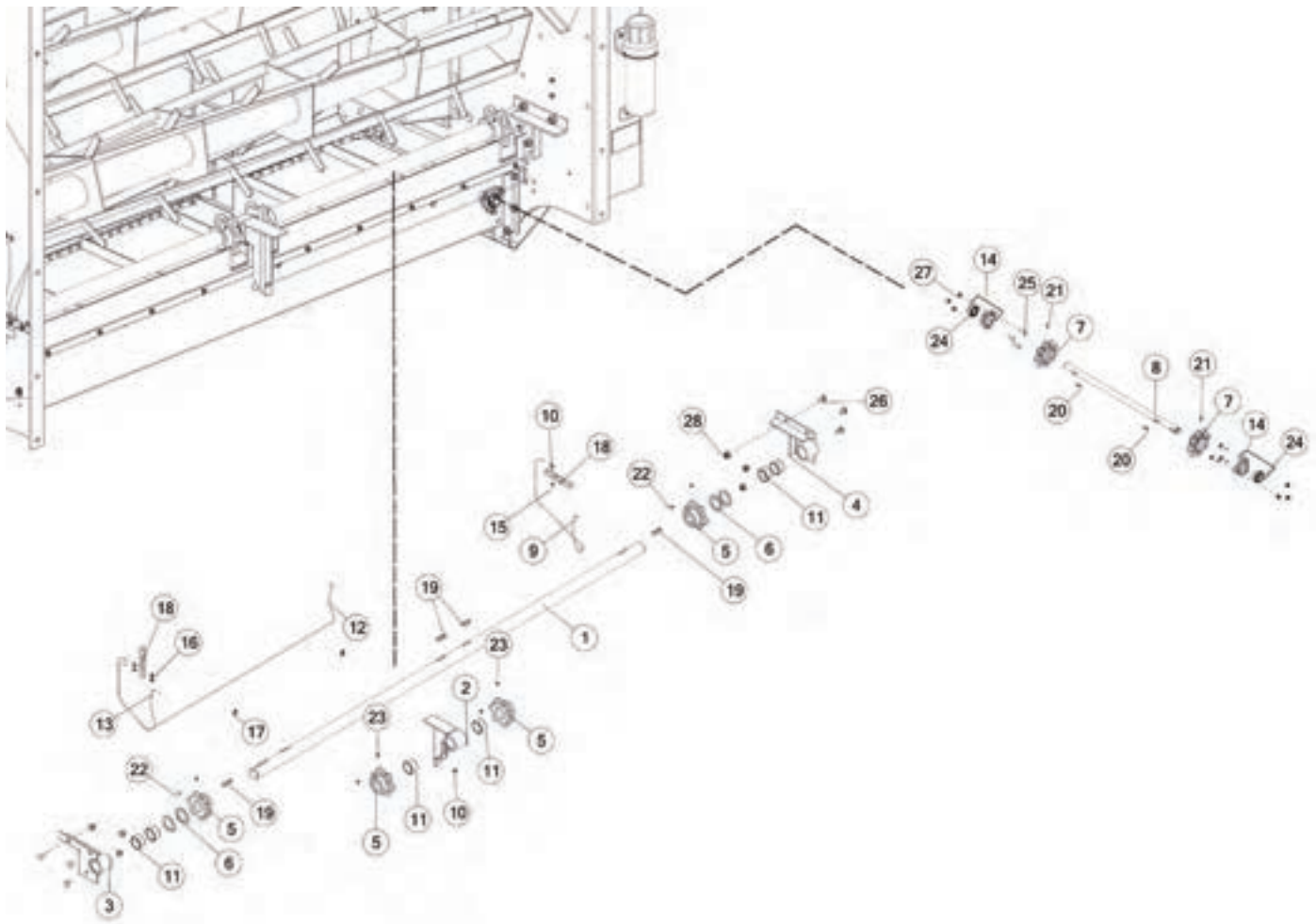




FIGURE 14

APRON DRIVE SHAFT & COMPONENTS

REF #	PART #	DESCRIPTION	QTY
1	72662	APRON DRIVE SHAFT	1
2	72658	DRIVE SHAFT BRACKET, CENTER	1
3	72653	DRIVE SHAFT BRACKET, RH	1
4	72666	DRIVE SHAFT BRACKET, LH	1
5	72669	STEEL SPROCKET, 6T	2
6	72680	DRIVE SHAFT SHIM	4
7	L10R24	CROSS APRON SPROCKET	2
8	73307	DRIVE SHAFT	1
9	78985	GREASE LINE	11
10	8257	GREASE LINE FITTING, 90 DEG ELBOW 5/32 X 1/4	3
11	72652	BRONZE BUSHING	4
12	78986	GREASE LINE	1
13	78985	GREASE LINE	1
14	80530	PILLOW BLOCK BEARING, 1	2
15	G89	STRAIGHT ZERK, 1/4-28 X 90	1
16	RG51	GREASE ZERK, 90 DEGREE 1/4-28	2
17	83052	CUSHION WIRE CLAMP, 5/16	2
18	72769	GREASE MANIFOLD, 6, DIST	2
19	56N174	SQUARE KEY, 3/8 X 2	2
20	5B10	WOODRUFF KEY, 1/4 X 1	2
21	YSKP10010	SCREW SET, SOCKET, KNURLED CUP PT, 5/16 X 3/8	2
22	YSKP12010	SCREW SET, SOCKET, KNURLED CUP PT, 3/8 X 1/2	4
23	YSKP12025	SCREW SET, SOCKET, KNURLED CUP PT, 3/8 X 3/8	4
24	23N221	BEARING INSERT, 1	2
25	YBCR10020	BOLT CARRIAGE, 5/16 X 1-1/4 G5	6
26	YBCR16005	BOLT CARRIAGE, 1/2 X 1 G5	6
27	YNFG10005	NUT FLANGE, 5/16	6
28	YNFG16003	NUT FLANGE, 1/2	6



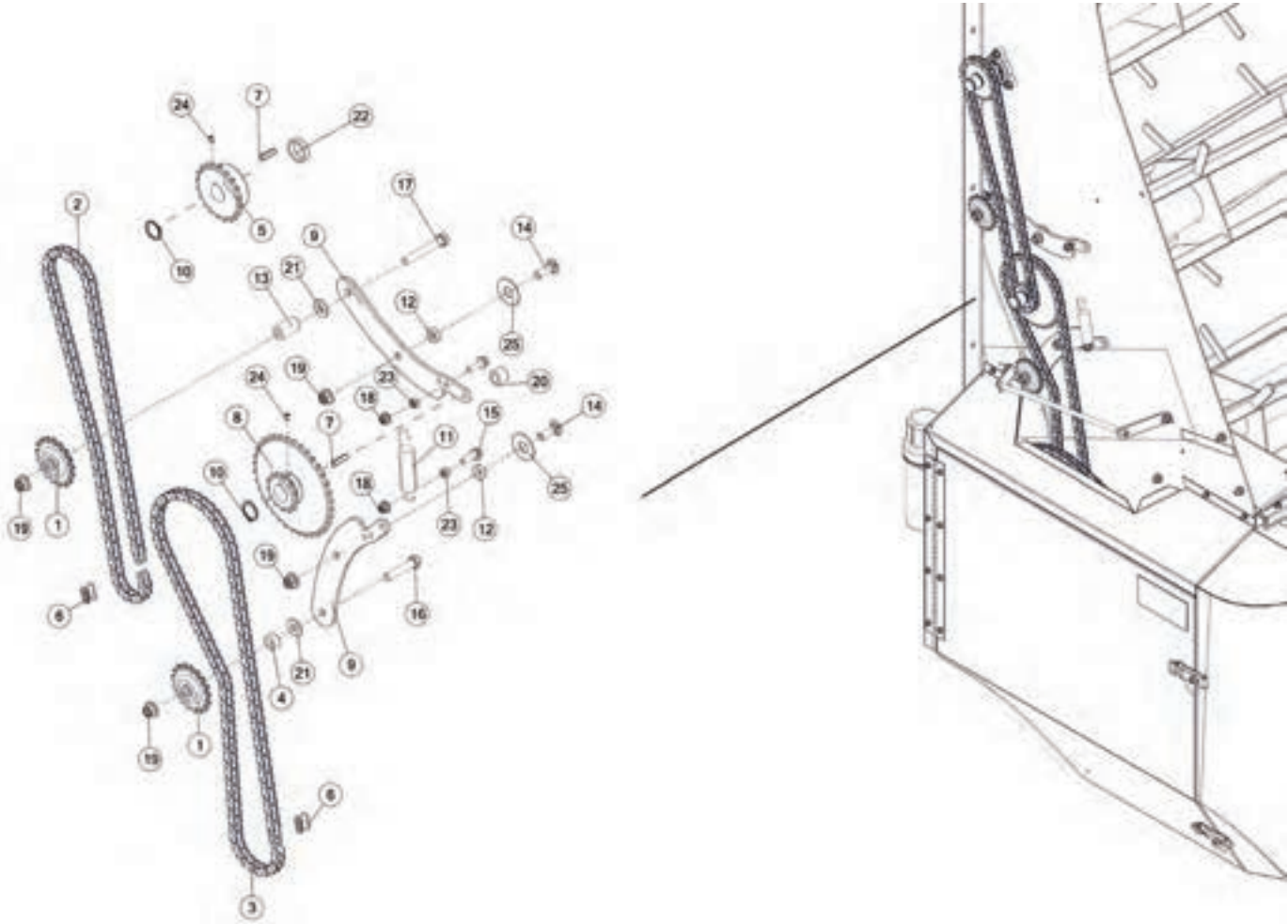




FIGURE 15

BEATER CHAINS & SPROCKETS

REF #	PART #	DESCRIPTION	QTY
1	K101	IDLER SPROCKET, 17T	2
2	X58	ROLLER CHAIN #50 X 89 PITCHES	1
3	73377	ROLLER CHAIN #50 X 102 PITCHES	1
4	SD88	TENSIONER SPACER	1
5	S26	SPROCKET, 50B20	1
6	X61	CONNECTOR LINK #50	2
7	G23A	SQUARE KEY, 5/16 X 1-1/4	2
8	72641	SPROCKET 36T - 13T	1
9	SD77	CHAIN TIGHTENER BAR	2
10	F73	SNAP RING, 1-1/4	2
11	R27	SPRING	1
12	SD177	SHELL SPACER	2
13	SD212	TENSIONER SPACER	1
14	YBCR16010	BOLT CARRIAGE, 1/2 X 1-1/2 G5	2
15	YBFB12125	BOLT FLANGE, 3/8 X 1-1/4 G5	2
16	YBHH16080	BOLT HEX, 1/2 X 2-1/2 G5	1
17	YBHH16115	BOLT HEX, 1/2 X 3-1/2 G5	1
18	YNFG12006	NUT FLANGE, 3/8	2
19	YNFG16003	NUT FLANGE, 1/2	4
20	76301	SPACER	1
21	YWFL16005	WASHER FLAT, 1/2	2
22	80610	SPACER	1
23	YNHX12005	NUT, HEX, 3/8-16	2
24	YSKP10010	SCREW SET, SOCKET, KNURLED CUP PT, 5/16 X 3/8	2
25	YWFL24005	WASHER FLAT, 3/4	2





FIGURE 16

MAIN APRON & CROSS CONVEYOR DRIVE

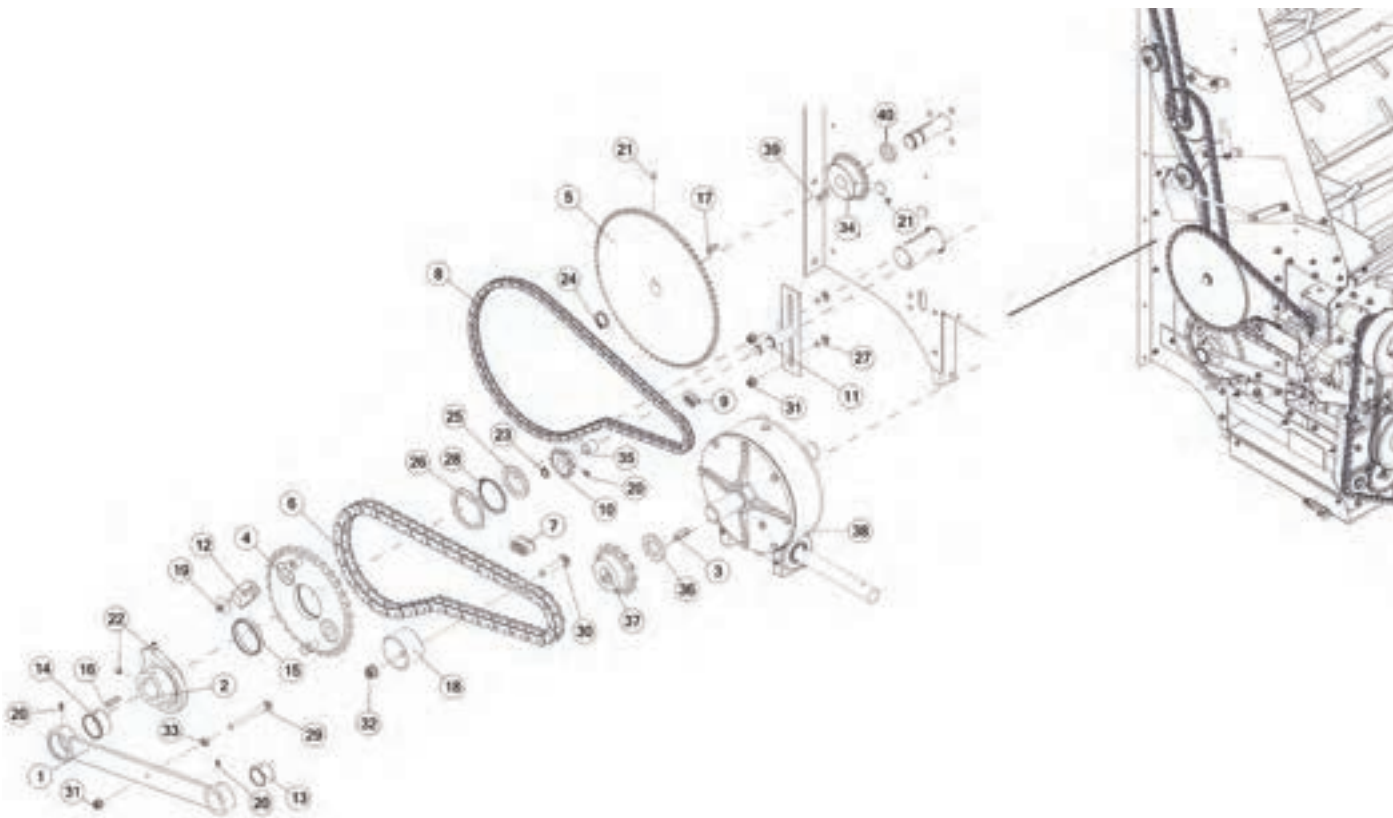




FIGURE 16

MAIN APRON & CROSS CONVEYOR DRIVE

REF #	PART #	DESCRIPTION	QTY
1	72715	DRIVE SHAFT BRACE	1
2	72694	CLUTCH DOG	1
3	S436	SQUARE KEY, 3/8 X 1-1/2	1
4	72703	DRIVE SPROCKET, FRONT	1
5	76168	SPROCKET, 50B72, 1.25 ID	1
6	73380	ROLLER CHAIN, #80 X 60 PITCHES	1
7	F157	CONNECTOR LINK #80	1
8	73377	ROLLER CHAIN, #50 X 102 PITCHES	1
9	X61	CONNECTOR LINK #50	1
10	S34	CAST SPROCKET 12T	1
11	76302	CHAIN TIGHTENER	1
12	PB191	CLUTCH PIN	1
13	58543	BRONZE BUSHING 1.75 X 1.5 X 1.125	1
14	72652	BRONZE BUSHING	1
15	72705	BRONZE BUSHING, 3 X 3.25 X 0.45	1
16	S38	SQUARE KEY, 3/8 X 2-3/8	1
17	WM121	SQUARE KEY, 5/16 X 1	1
18	73397	POLY CHAIN TIGHTENER	1
19	YPLY06010	LYNCH PIN, 3/16 X 1-9/16	1
20	G89	STRAIGHT ZERK 1/4-28 X 90	3
21	YSKP10010	SCREW SET, SOCKET, KNURLED CUP PT, 5/16 X 3/8	2
22	YSKP12010	SCREW SET, SOCKET, KNURLED CUP PT, 3/8 X 1/2	2
23	10R32	SNAP RING, .7	1
24	F73	SNAP RING, 1-1/4	1
25	72680	DRIVE SHAFT SHIM	1
26	72712	CLUTCH SPROCKET SHIM	1
27	YBCR12010	BOLT CARRIAGE, 3/8 X 1 G5	1
28	SD202	SNAP RING, 3	1
29	YBCR12105	BOLT CARRIAGE, 3/8 X 4-1/2 G5	1
30	YBCR16035	BOLT CARRIAGE, 1/2 X 2-3/4 G5	1
31	YNFG12006	NUT FLANGE, 3/8	2
32	YNFG16003	NUT FLANGE, 1/2	1
33	YNHX12005	NUT HEX, 3/8	1
34	S33	CHAIN TIGHTENER BUSHING	1
35	S26	SPROCKET, 50B20, 1.253 ID	1
36	S327	SPACER WASHER	1
37	ST11	WORM GEAR SHAFT SPROCKET	1
38	G118	WORM GEARBOX	1
39	WM121	SQUARE KEY, 5/16 X 1	1
40	76301	SPACER	1



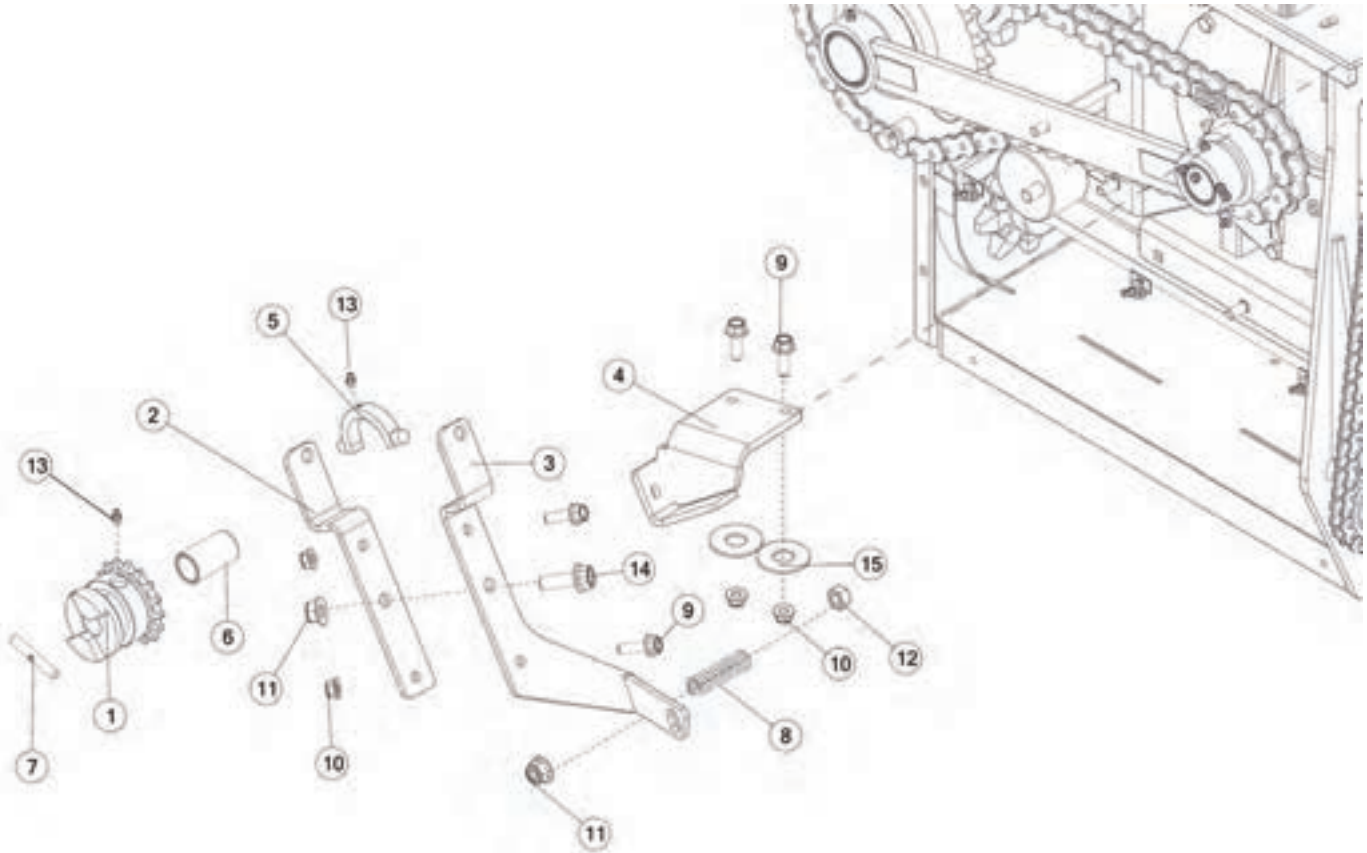
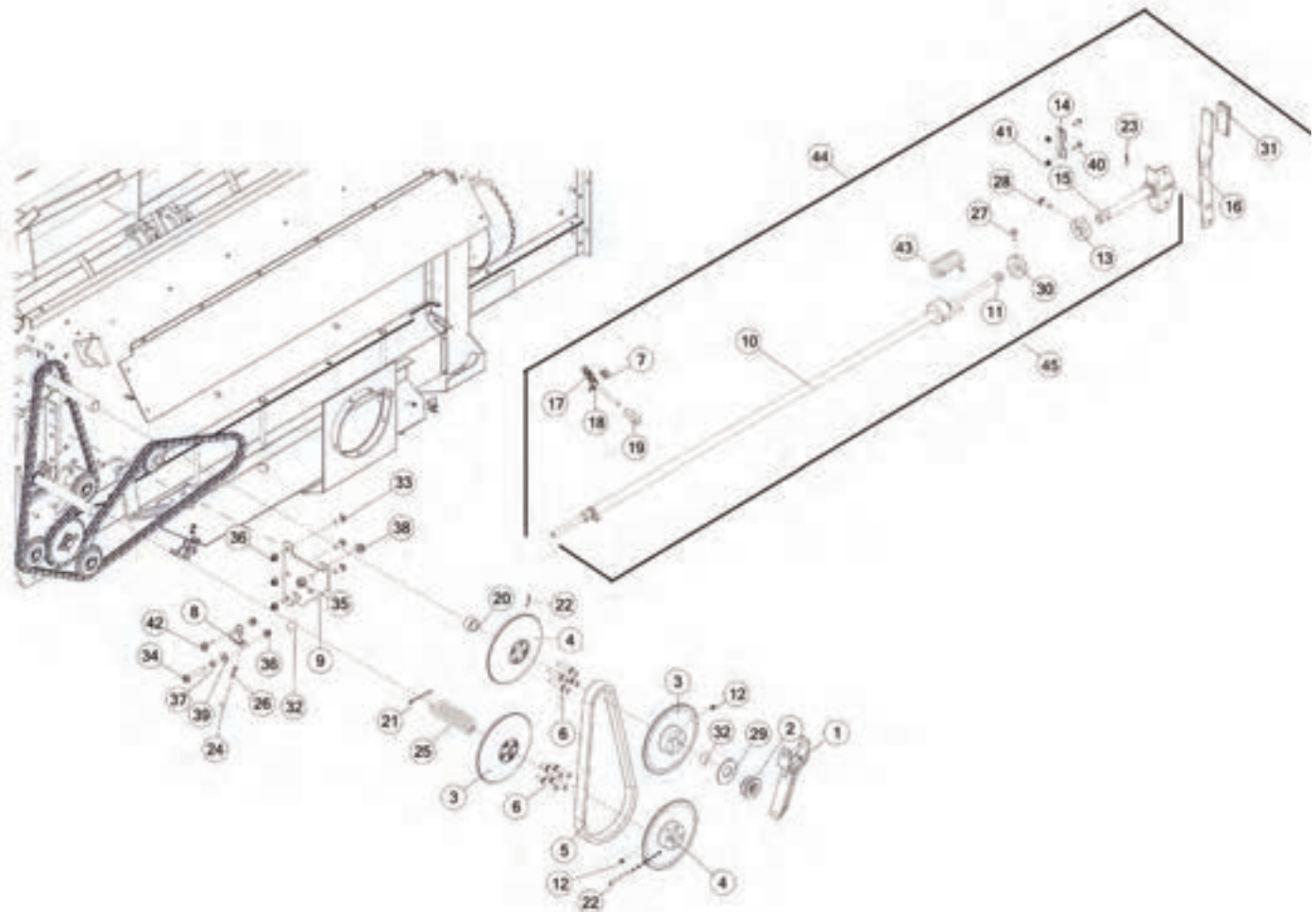




FIGURE 17 CLUTCH COMPONENTS

REF #	PART #	DESCRIPTION	QTY
1	S116	BEATER CLUTCH	1
2	76161	CLUTCH ARM SHORT	1
3	76159	CLUTCH ARM LONG	1
4	78127	CLUTCH	1
5	57264	BRONZE YOKE	1
6	S117	BRONZE BUSHING	1
7	S115	BEATER CLUTCH PIN	1
8	S111	SPRING	1
9	YBFB12125	BOLT FLANGE, 3/8 X 1-1/4 G5	3
10	YNFG12006	NUT FLANGE, 3/8	3
11	YNFG16003	NUT FLANGE, 1/2	2
12	YNHX16005	NUT HEX, 1/2	1
13	G89	STRAIGHT ZERK, 1/4-28 X 90	2
14	YBFB16150	BOLT FLANGE, 1/2 X 1-1/2 G5	1
15	YWFL24005	WASHER FLAT, 3/4	2





REF #	PART #	DESCRIPTION	QTY
1	S105	VARIABLE SPEED SHIFTER	1
2	S100	THRUST BEARING	1
3	67806	SHEAVE, DRIVE	2
4	67810	SHEAVE	2
5	S108	VARIABLE SPEED BELT	1
6	68031	ROUND SHAFT	8
7	66137	CHAIN #40 CONNECTOR LINK	1
8	S221	SPRING SHIFTING BRACKET	1
9	72947	SHIFTING BRACKET	1
10	73289	SHIFTER PIPE	1



FIGURE 18

SHEAVES/BELT & COMPONENTS

REF #	PART #	DESCRIPTION	QTY
11	73291	SHIFTING ROD (BEATER)	1
12	G89	STRAIGHT ZERK 1/4-28 X 90	2
13	S291	SPRING PIN COLLAR LH	1
14	72297	PLATE 3.75x1.25x.0598 SHIFTING PIPE BRACKET	1
15	76550	SHIFTER HANDLE PIPE END	1
16	S364	SHIFTER HANDLE	1
17	S101	CHAIN	1
*	S102	CONNECTOR LINK	1
18	S103	SHIFTING LINKAGE	1
19	S104	ADJUSTMENT BLOCK	1
20	78976	SPACER, .77	1
21	YPEX08020	EXPANSION PIN	2
22	YPEX10030	EXPANSION PIN, 5/16 X 3	2
23	YPCT04005	COTTER PIN, 1/8 X 1	1
24	S220	SHIFTING SPRING ROD	1
25	S109	SPRING	1
26	S222	SPRING	1
27	YBHH12010	BOLT HEX, 3/8 X 1 G5	1
28	YBHH12035	BOLT HEX, 3/8 X 1-1/4 G5	1
29	78974	SPACER	1
30	S293	SHIFTER PRELOAD COLLAR	1
31	S403	HANDLE GRIP	1
32	S99	O-RING	2
33	YBCR12020	BOLT CARRIAGE, 3/8 X 1-1/4 G5	3
34	YBFB12275	BOLT FLANGE, 3/8 X 2-3/4 G5	1
35	YBFB16150	BOLT FLANGE, 1/2 X 1-1/2 G5	1
36	YNFG12006	NUT FLANGE, 3/8	5
37	K94	SPACER CHAIN TIGHTENER	1
38	YNFG16003	NUT FLANGE, 1/2	1
39	YWFL12005	WASHER FLAT, 3/8	1
40	YBFB08075	BOLT FLANGE, 1/4 X 3/4 G5	2
41	YNFG08010	NUT FLANGE, 1/4	2
42	YBFB12003	BOLT FLANGE, 3/8 X 1 G5	1
43	S292	SPRING	1
44	73208	SHIFTER PIPE ASSEMBLY	1
45	73288	SHIFTER PIPE & COMPONENTS	1



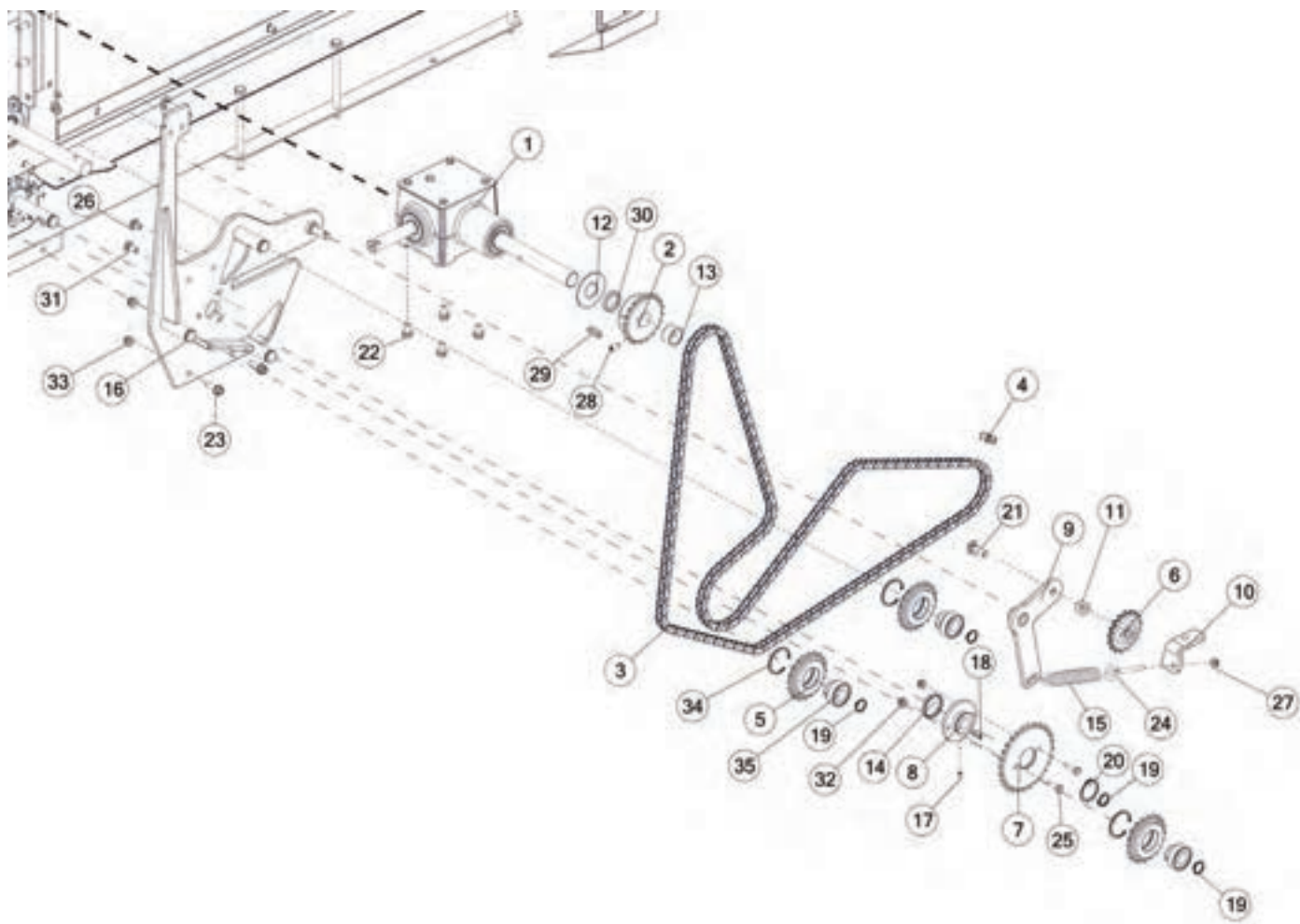


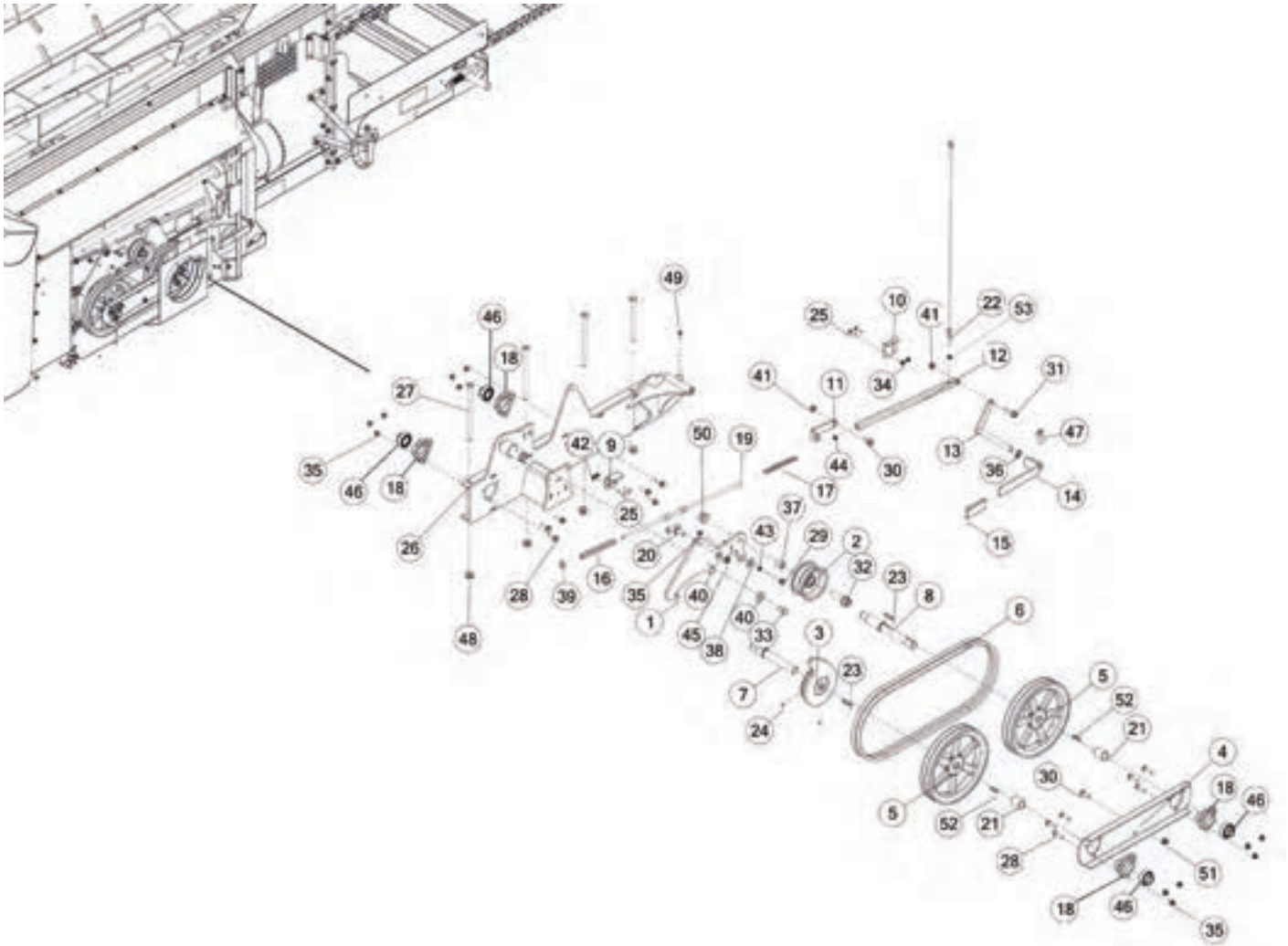


FIGURE 19

FRONT DRIVE CHAIN/SPROCKET & COMPONENTS

REF #	PART #	DESCRIPTION	QTY
1	78963	BEVEL GEAR BOX	1
2	S26	SPROCKET, 50B20	1
3	79010	ROLLER CHAIN, #50 X 214 PITCHES	1
4	X61	CONNECTOR LINK, #50	1
5	61147	IDLER SPROCKET, 20T	3
6	K101	IDLER SPROCKET, 17T	1
7	76706	SPROCKET, 28T	1
8	S391	SHEAR HUB	1
9	79005	TIGHTENER BRACKET	1
10	79007	TIGHTEN SPRING BRACKET	1
11	73305	SPROCKET SPACER	1
12	78974	SPACER	1
13	78976	SPACER	1
14	S393	BRONZE BUSHING, 2 X 1-3/4	1
15	ST36	TENSION SPRING	1
16	78991	IDLER MOUNT	1
17	YSKP10010	SCREW SET, SOCKET, KNURLED CUP PT, 5/16 X 3/8	1
18	5B10	WOODRUFF KEY, 1/4 X 1	1
19	3G21	SNAP RING, 1	4
20	S394	SNAP RING, 1-3/4	1
21	YBCR16010	BOLT CARRIAGE, 1/2 X 1-1/2 G5	1
22	YBFB12075	BOLT FLANGE, 3/8 X 3/4 G5	4
23	YBFB12125	BOLT FLANGE, 3/8 X 1-1/4 G5	2
24	YBTE10035	BOLT TURNED EYE, 5/16 X 3	1
25	YBHH10050	BOLT HEX, 5/16 X 1-1/8 G5	2
26	YBCR12065	BOLT CARRIAGE, 3/8 X 3/4 G5	1
27	YNFG10005	NUT FLANGE, 5/16	1
28	YSKP12035	SCREW SOCKET, KNRD CUP PT 3/8 X 3/4	1
29	G23A	SQUARE KEY, 5/16 X 1-1/4	1
30	80607	SPACER	1
31	YBCR12010	BOLT CARRIAGE, 3/8 X 1	1
32	YNFG10005	NUT FLANGE, 5/16	1
33	YNFG12006	NUT FLANGE, 3/8	2
34	K92	INTERNAL SNAP RING	3
35	K90	BEARING	3





REF #	PART #	DESCRIPTION	QTY
1	80630	IDLER BRAKE ARM	1
2	GM127	IDLER PULLEY	1
3	78898	SPROCKET, STOP DISK	1
4	78921	BEARING BRACKET	1
5	80531	PULLEY	2
6	SD1	DRIVE BELT SET	1
7	80534	OUTPUT SHAFT	1
8	80672	INPUT SHAFT	1
9	80700	BRAKE ARM PIVOT STOP	1
10	72755	CLUTCH HANDLE STOP	1
11	80678	SPRING BRACKET	1
12	80685	SHIFTER ROD END	1



FIGURE 20

FRONT DRIVE/BELTS & COMPONENTS

REF #	PART #	DESCRIPTION	QTY
13	80675	HANDLE PIVOT	1
14	76455	CLUTCH HANDLE	1
15	S362	HANDLE LEVER GRIP	1
16	23N211	SPRING	1
17	S369	SPRING	1
18	80530	PILLOW BLOCK BEARING, 1	4
19	SD34	PRIMARY CLUTCH ROD	1
20	S344	CLUTCH ROD SLIDE	1
21	80671	SPACER	2
22	80576	EMERGENCY STOP CABLE	1
23	PB218	SQUARE KEY, 1/4 X 1-1/2	2
24	YSKP10010	SCREW SET, SOCKET, KNURLED CUP PT, 5/16 X 3/8	2
25	YBCR08005	BOLT CARRIAGE, 1/4 X 1 G5	4
26	80733	CLUTCH FRAME	1
27	YBHH16175	BOLT HEX, 1/2 X 6-1/2	4
28	YBFB10125	BOLT FLANGE, 5/16 X 1-1/4 G5	9
29	YBFB10250	BOLT FLANGE, 5/16 X 2-1/2 G5	1
30	YBFB12003	BOLT FLANGE, 3/8 X 1 G5	2
31	YBFB12150	BOLT FLANGE, 3/8 X 1-1/2 G5	1
32	YBFB20300	BOLT FLANGE, 5/8 X 3 G5	1
33	YBHH16110	BOLT HEX, 1/2 X 3/4 G5	1
34	YNFG08010	NUT FLANGE, 1/4	2
35	YNFG10005	NUT FLANGE, 5/16	13
36	S352	RETAINING RING, SELF-LOCKING, 5/8	1
37	SD211	PULLEY IDLER SPACER	1
38	YWFL10005	WASHER FLAT, 5/16	2
39	YWFL12005	WASHER FLAT, 3/8	1
40	YWFL16005	WASHER FLAT, 1/2	2
41	YNFG12006	NUT FLANGE, 3/8	3
42	YNFG08010	NUT FLANGE, 1/4	2
43	YNJM10005	NUT JAM, 5/16 A	1
44	YNJM12005	NUT JAM, 3/8 A	1
45	YNNJ16005	NUT JAM, 1/2 G2	1
46	23N221	BEARING	2
47	YPLY08011	LYNCH PIN, 1/4 X 1-9/16	1
48	YNFG16003	NUT FLANGE, 1/2	4
49	G89	STRAIGHT ZERK, 1/4-28 X 90	1
50	YNFG20005	NUT LFNAGE, 5/8	1
51	YNFG12006	NUT LFNAGE, 3/8	1
52	S135	SQUARE KEY, 1/4 X 1-1/4	2
53	YNJM12005	NUT JAME, 3/8	1



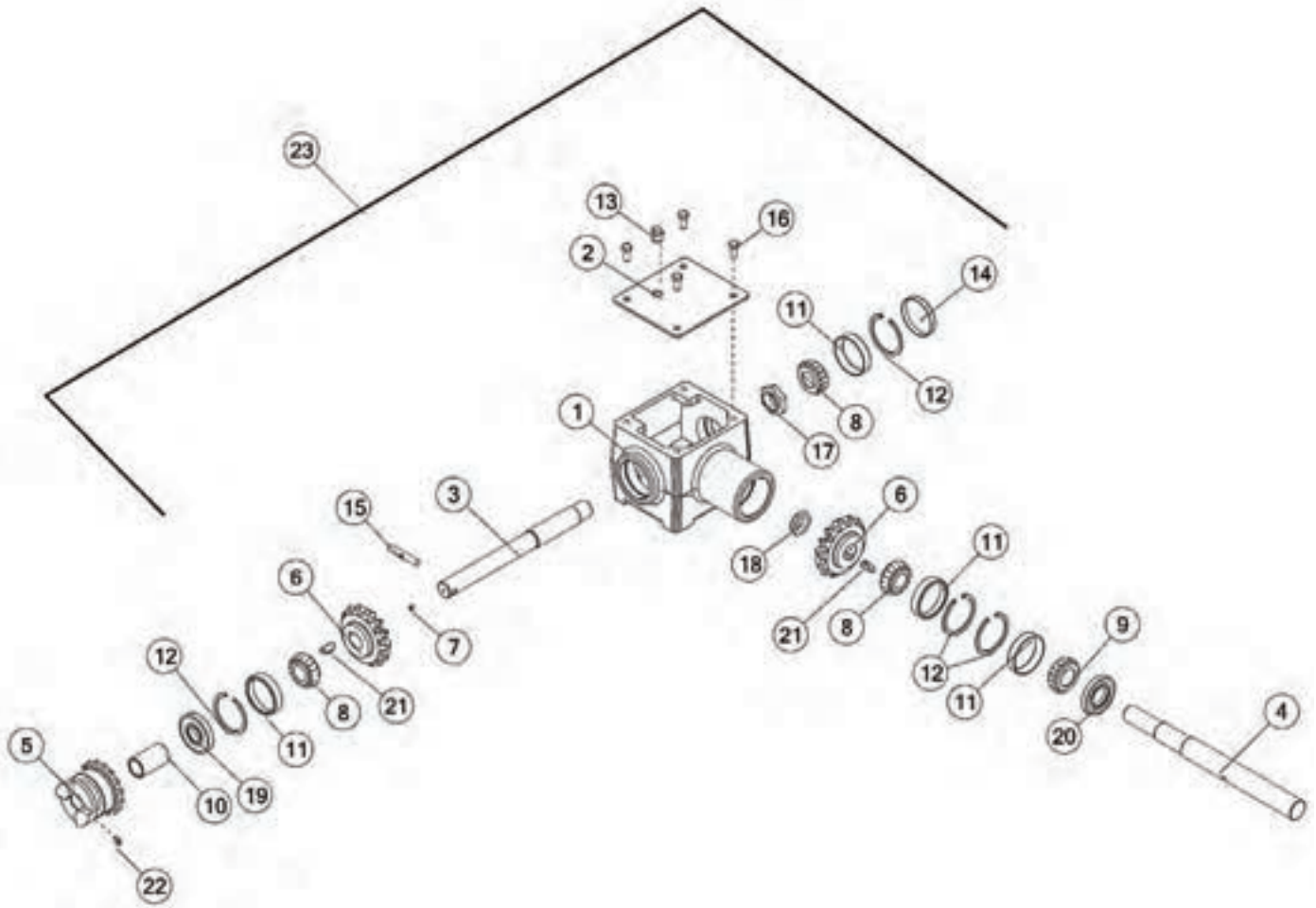




FIGURE 21

BEATER GEARBOX

REF #	PART #	DESCRIPTION	QTY
1	3G1	HOUSING	1
2	3G3	COVER	1
3	76115	SIDE SHAFT	1
4	76354	GEARBOX SHAFT, FRONT	1
5	S116	BEATER CLUTCH	1
6	57521	BEVEL GEAR	2
7	YSKP08020	SCREW SET, SOCKET, 1/4 X 1/4	1
8	3G7	TAPER BEARING	3
9	L3G24	TAPER BEARING	1
10	S117	BRONZE BUSHING	1
11	12N19	INNER RACE	4
12	3G19	SNAP RING	4
13	3G20	VENT PLUG	1
14	G90	CAP	1
15	S115	PIN	1
16	YBHH10105	BOLT HEX, 5/16 X 3/4 G5	4
17	3G11	GEAR BOX NUT, 1-1/8	4
18	3G4	GEAR BOX NUT, 1	1
19	3G9	SEAL	1
20	S136	OIL SEAL	1
21	5B10	WOODRUFF KEY, 1/4 X 1	2
22	G89	STRAIGHT ZERK 1/4-28 X 90	1
23	78963	COMPLETE GEARBOX	1



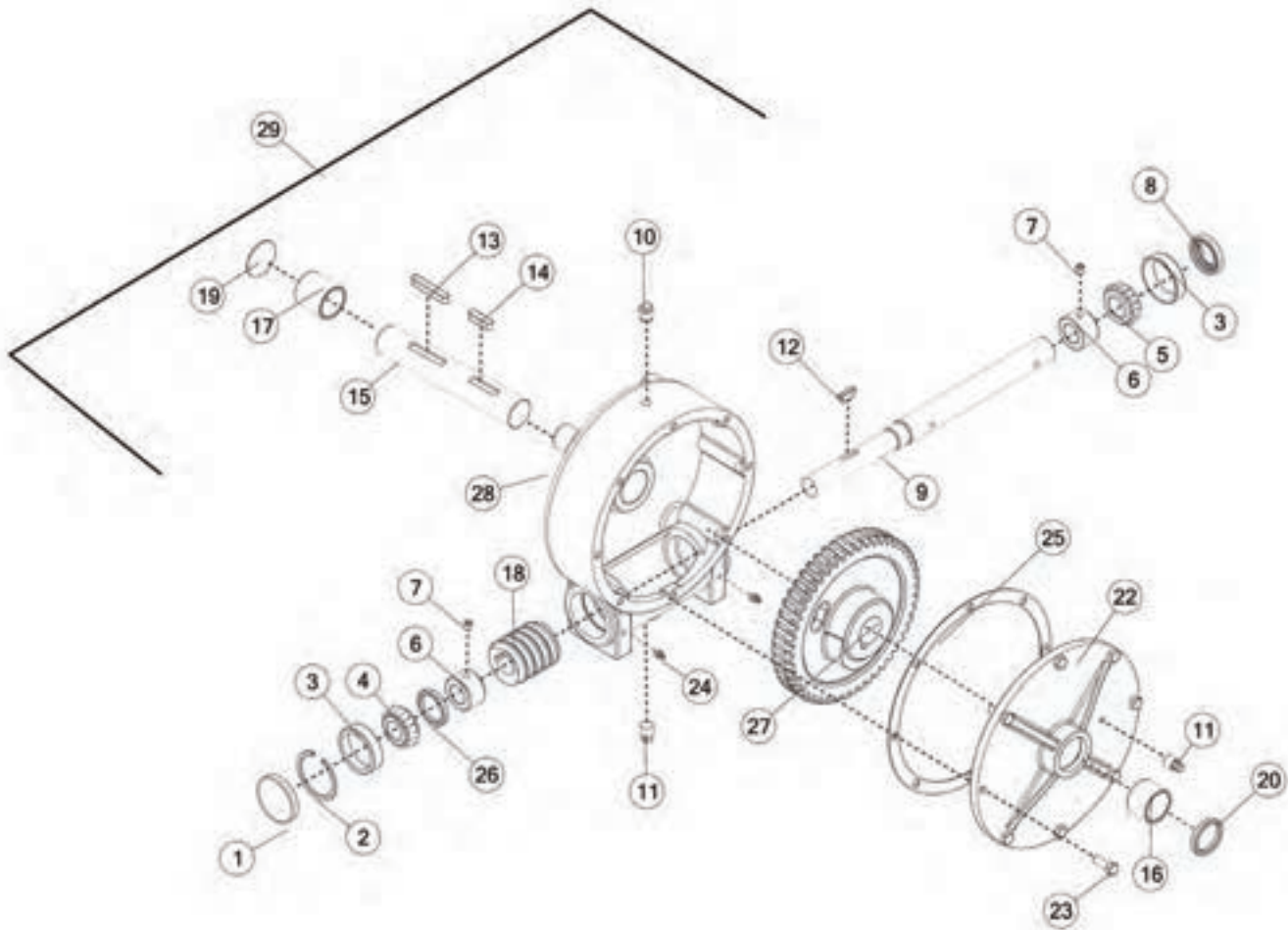


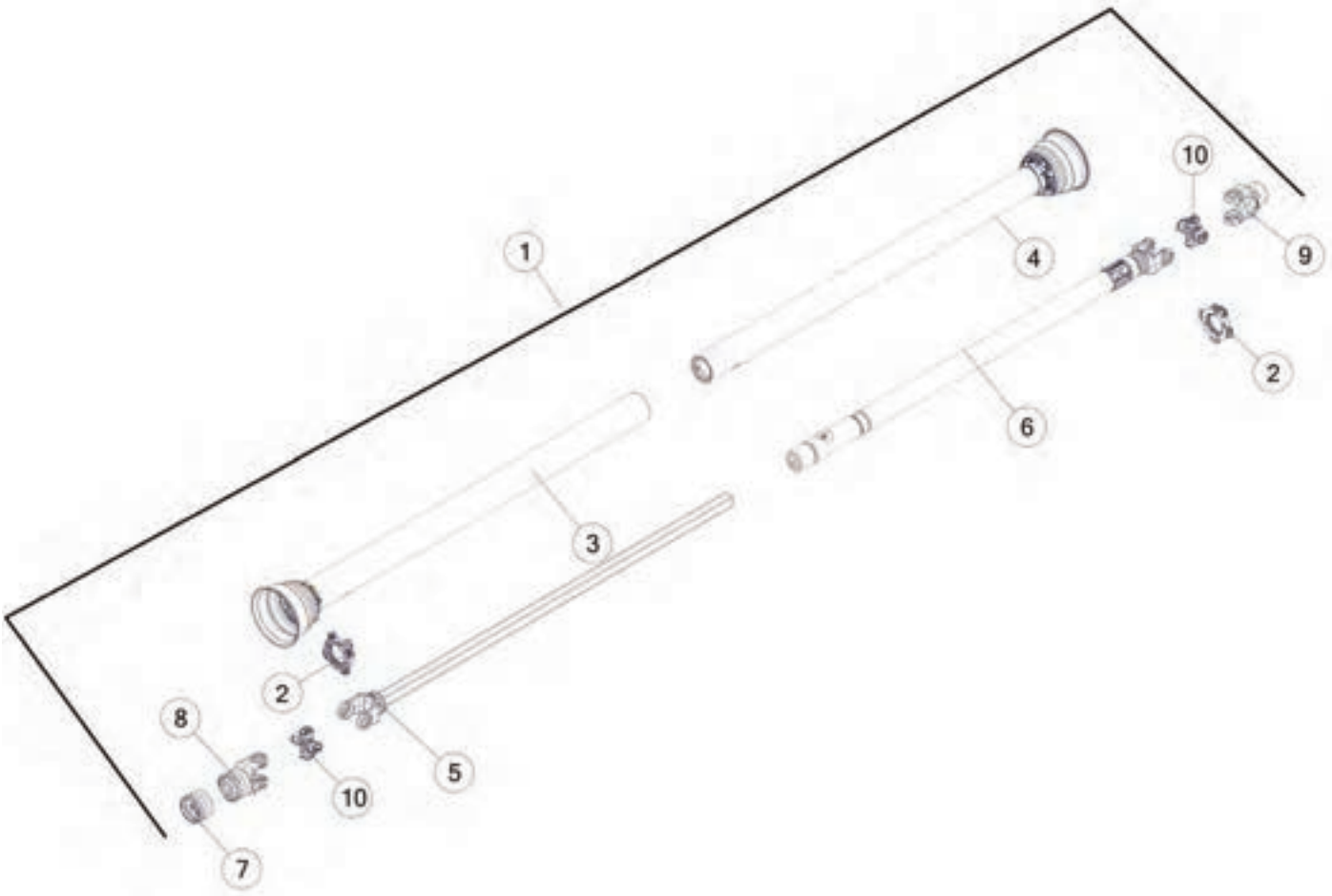


FIGURE 22

WORM GEARBOX

REF #	PART #	DESCRIPTION	QTY
1	G90	CAP	1
2	3G19	SNAP RING	1
3	3G18	ROLLER BEARING	2
4	3G7	TAPER BEARING	1
5	L3G24	TAPER BEARING	1
6	X9	SPACER	2
7	YSKP12025	SCREW SET, SOCKET, 3/8 X 3/8	2
8	G115	OIL SEAL	1
9	S140	WORM GEAR SHAFT, FRONT	1
10	59184	PIPE PLUG, PLASTIC, 3/8	1
11	23N149	PLUG	1
12	5B10	WOODRUFF KEY, 1/4 X 1	1
13	S138	ROUND KEY, 3/8 X 2-3/8	1
14	S436	SQUARE KEY, 3/8 X 1-1/2	1
15	S139	WORM GEAR SHAFT, SIDE	1
16	X75	BUSHING	1
17	X8	BUSHING	1
18	G76	WORM GEAR	1
19	G117	CAP	1
20	G120	OIL SEAL	1
21	X77	BRONZE WORM GEAR	1
22	G116	WORM GEAR BOX COVER	1
23	YBHH12010	BOLT HEX, 3/8 X 1 G5	8
24	G89	STRAIGHT ZERK 1/4-28 X 90	1
25	G88	GASKET	1
26	59249	SHIM, .005	1
*	58748	SHIM, .007	1
*	G92	SHIM, STAINLESS .01	1
*	59250	SHIM, .02	1
27	G77	GEAR	1
28	G114	HOUSING	1
29	G118	WORM GEARBOX	1



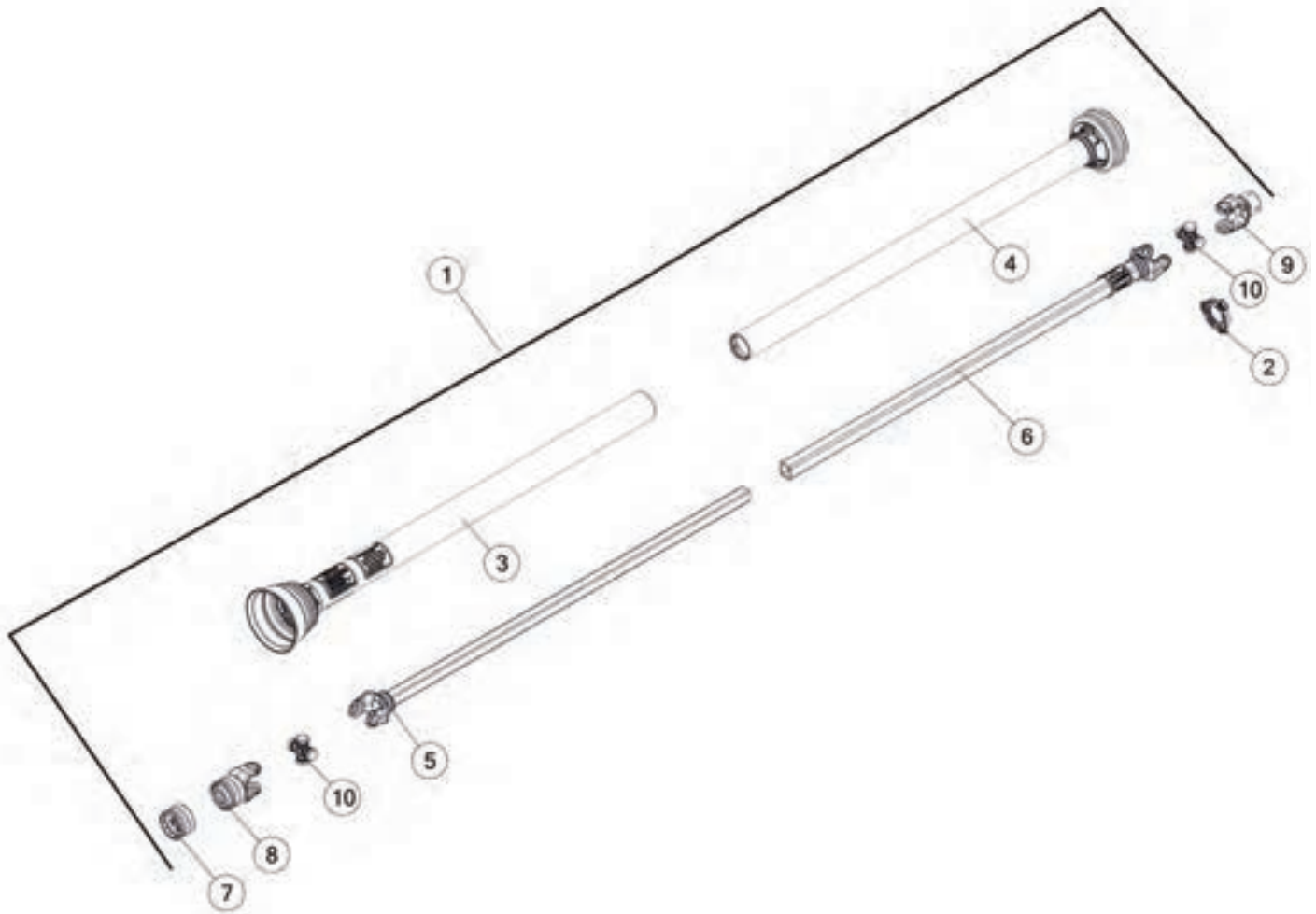


REF #	PART #	DESCRIPTION	QTY
1	S457	COMPLETE PTO	1
2	16SV181	GUARD REPAIR KIT	2
3	8224	OUTER GUARD	1
4	8225	INNER GUARD	1
5	8220	YOKE AND SHAFT	1
6	8227	YOKE TUBE AND SLIP SLEEVE	1
7	S225	SPRING-LOK REPAIR KIT	1
8	23N162	SPRING LOCK YOKE	1
9	8228	YOKE, 14	1
10	14NW KIT	CROSS KIT, 14	2



FIGURE 24

PTO 540 RPM STANDARD

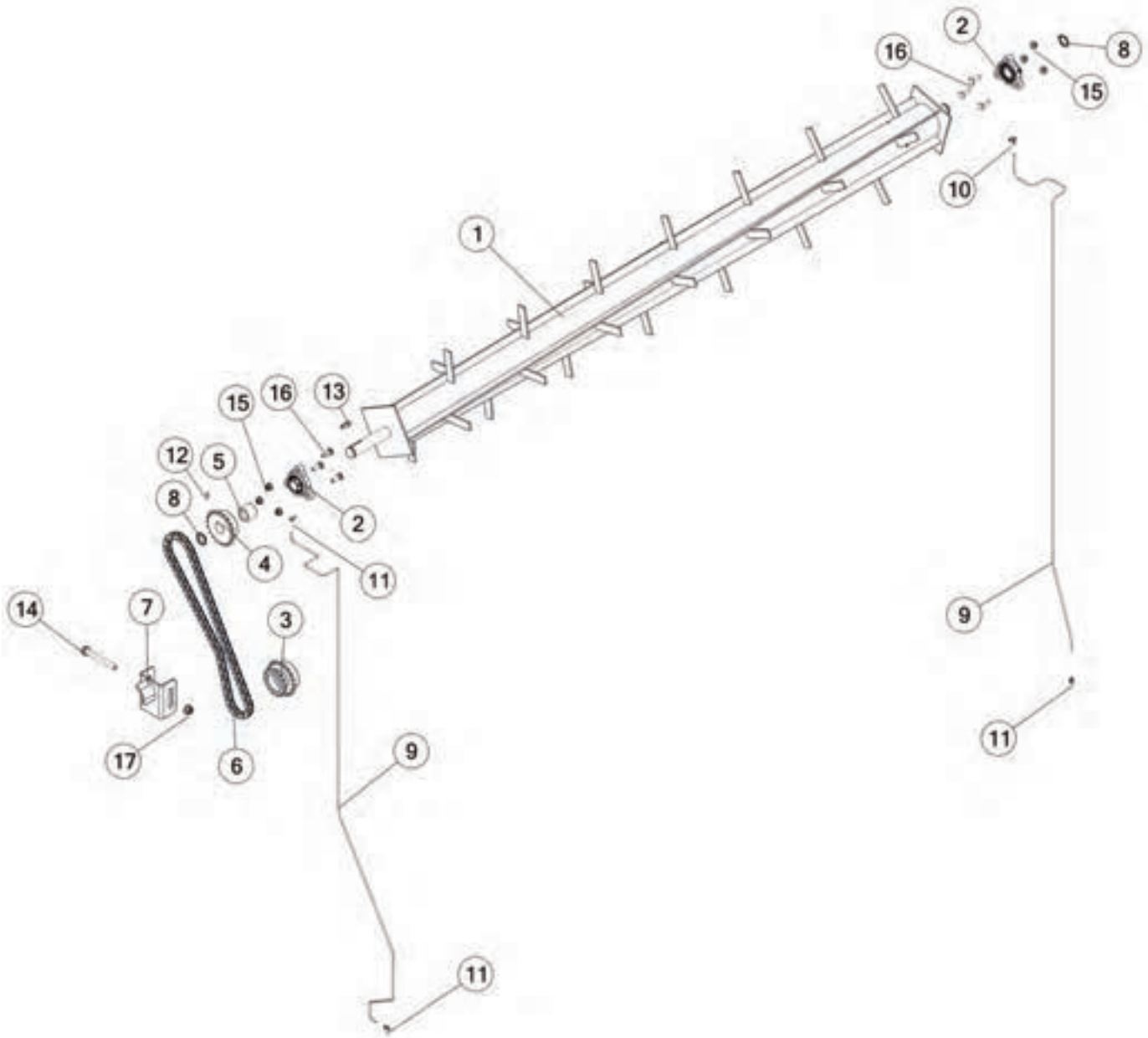


REF #	PART #	DESCRIPTION	QTY
1	S372	HD NEEDLE BEARING PTO	1
2	78807	GUARD REPAIR KIT	1
3	S398	OUTER GUARD	1
4	S397	INNER GUARD	1
5	S378	YOKE AND SHAFT	1
6	S376	YOKE AND TUBE	1
7	S225	SPRING LOCK REPAIR KIT	1
8	S379	SPRING LOCK YOKE, 12	1
9	S374	YOKE, 12	1
10	S375	CROSS KIT, 12R	1





FIGURE 25 OPTIONAL TOP BEATER



REF #	PART #	DESCRIPTION	QTY
1	S263	BEATER	1
2	80662	BEARING 1-1/4	2
3	S266	SPROCKET, 50B16, 50B20	1
4	S26	SPROCKET, 50B20, 1.253 ID	1
5	S262	SPACER	1
6	87249	ROLLER CHAIN, 50 X 78 PITCHES	1
*	X61	CONNECTING LINK	1
7	87254	CHAIN TIGHTNER	1
8	F73	SNAP RING, 1-1/4	2
9	79314	GREASE LINE	2
10	8257	GREASE LINE FITTING, 90 DEGREE, 5/32 x 1/4	1
11	54572	GREASE LINE FITTING, STRAIGHT	3
12	YSKP10010	SET SCREW, SOCKT, KNURL CUP PT, 5/16 - 18 X 3/8	1
13	G23A	SQUARE KEY, 5/16 X 1-1/4	1
14	YBFB16450	BOLT FLANGE, 1/2 X 4-1/2 G5	1
15	YNFG12006	NUT FLANGE, 3/8 GF	6
16	YBFB12150	BOLT FLANGE, 3/8 X 1-1/2 G5	6
17	YNFG16003	NUT FLANGE, 1/2	1



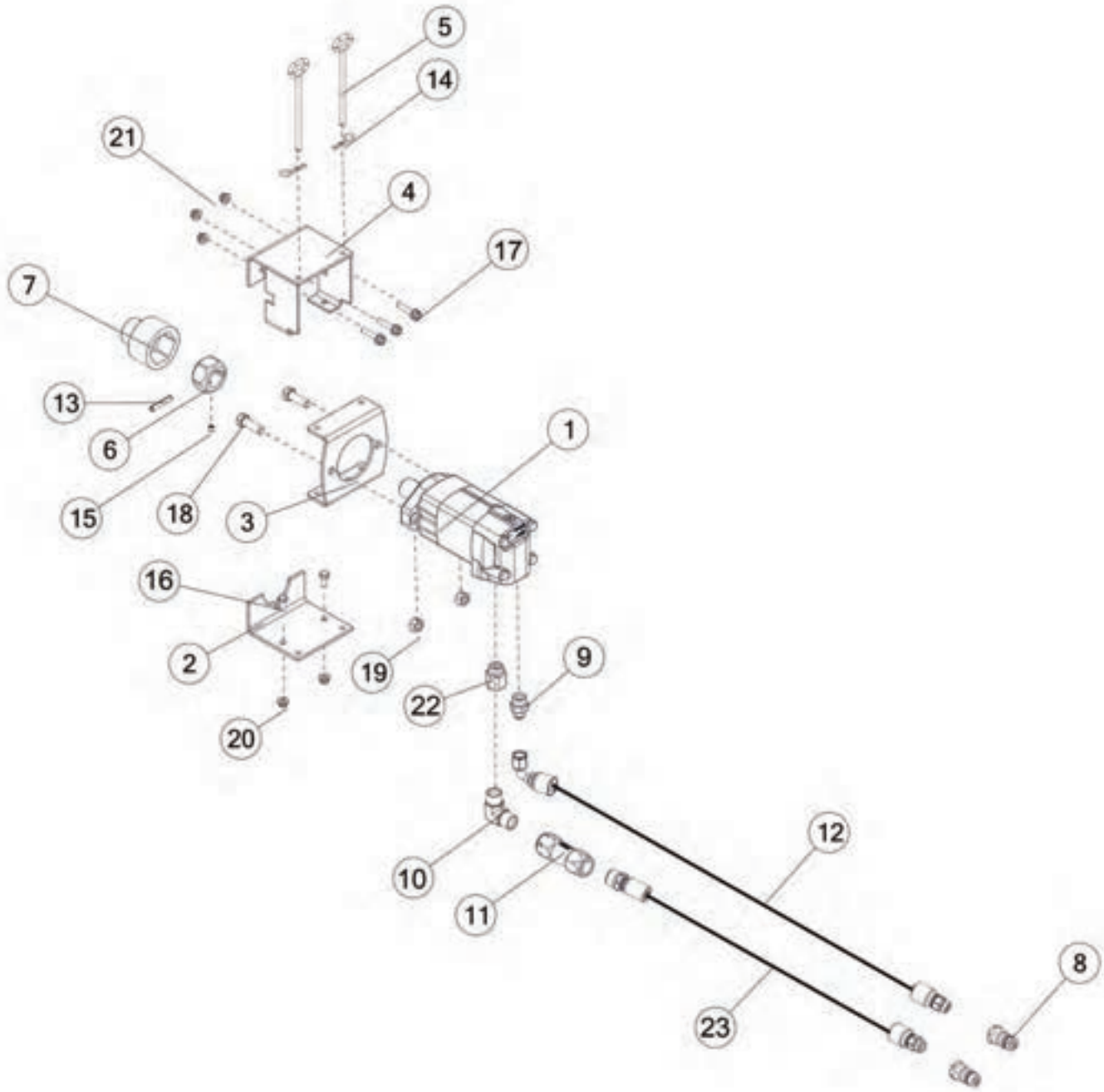




FIGURE 26

HYDRAULIC DRIVE KIT

REF #	PART #	DESCRIPTION	QTY
1	16SV150	HYDRAULIC MOTOR	1
2	S383	BOTTOM MOTOR HANGER, 6-1/2 X 5 X 3/16	1
3	S464	MOTOR MOUNT 2000 SERIES	1
4	S382	TOP MOTOR HANGER	1
5	S386	PIN, MOTOR UNIT MOUNT	2
6	S463	PRIMARY HEX DRIVE 2000 SERIES	1
7	S411	SECONDARY HEX DRIVE	1
8	67148	QUICK COUPLER	2
9	GM27	FITTING STRAIGHT, 8JIC X 10ORB	2
10	91129	FITTING CR, 3/4 X 1/2	1
11	PB185	CHECK VALVE, 3/4	2
12	85248	HYDRAULIC HOSE 1/2 X 132	2
13	YPEX10015	EXPANSION PIN, 5/16 X 1-3/4	1
14	YPHR02005	HAIR PIN	2
15	YSKP10010	SCREW SET, SOCKT, KNURL CUP PT, 5/16 - 18 X 3/8	1
16	YBHH10105	BOLT HEX, 5/16 X 3/4 G5	2
17	YBFB101500	BOLT FLANGE, 5/16 X 1-1/2	3
18	YBHH16030	BOLT HEX, 1/2 X 1-1/2 G5	2
19	YNRL16005	NUT HEX, 1/2	2
20	YNHX10005	NUT HEX, 5/16	2
21	YNFG10005	NUT FLANGE, 5/16	3
22	WM289	FITTING STRAIGHT, 10ORB, 1/2NPT, STL	1
23	80669	HYDRAULIC HOSE, 1/2 X 132	1





FIGURE 27

ELECTRIC CAB CONTROL KIT

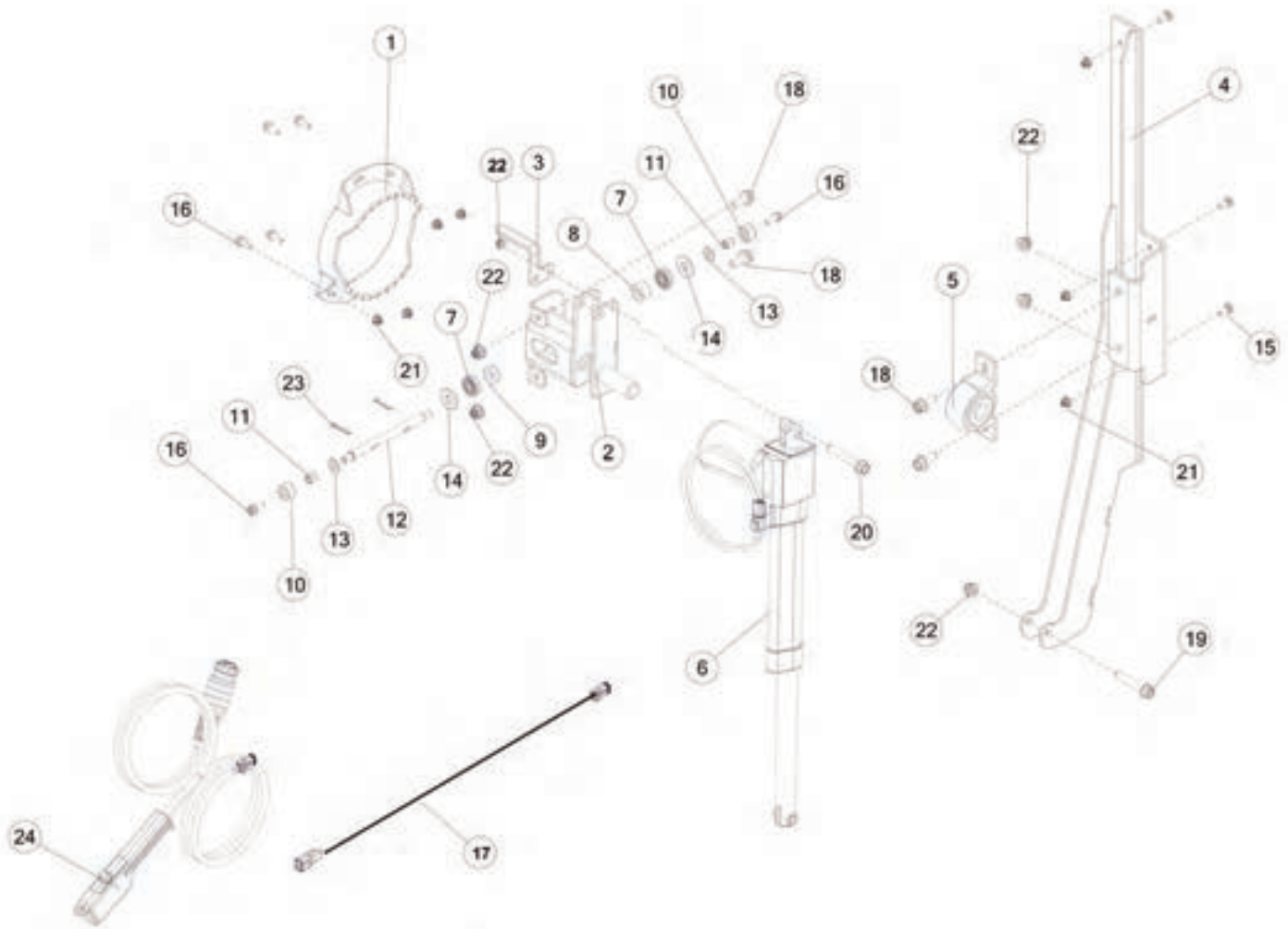




FIGURE 27

ELECTRIC CAB CONTROL KIT

REF #	PART #	DESCRIPTION	QTY
1	76734	CAB CONTROL SPOOL	1
2	89113	CAB CONTROL PIVOT	1
3	83019	INDICATOR BRACKET	1
4	89119	ACTUATOR BRACKET	1
5	80N22	BEARING,	1
6	89130	LINEAR ACTUATOR	1
7	72910	BALL, BEARING	2
8	76540	STEEL BUSHING	1
9	76541	STEEL BUSHING	1
10	78024	ROUND TUBE	1
11	78028	BRONZE BUSHING	2
12	78041	ROUND SHAFT	1
13	YWFL12010	WASHER FLAT, 3/8	2
14	YWFL16005	WASHER, FLAT, 1/2	2
15	YBCR08040	BOLT CARRIAGE, 1/4 X 3/4 G5	3
16	YBFB08075	BOLT FLANGE, 1/4 X 3/4 G5	4
17	85050	CAB CONTROL WIRE HARNESS	1
18	YBFB12003	BOLT FLANGE, 3/8 X 1 G5	1
19	YBFB12225	BOLT FLANGE, 3/8 X 2-1/4 G5	1
20	YBFB12500	BOLT FLANGE, 3/8 X 5 G5	1
21	YNFG08010	NUT FLANGE, 1/4	7
22	YNFG12006	NUT FLANGE, 3/8	6
23	YPCT04005	COTTER PIN, 1/8 X 1	2
24	85332	HAND CONTROLLER, (ON)-OFF-(ON) REVERSING	1
*	16SV235	SWITCH BOOTS	1
*	61564	CAP	1
*	58790	DEUTSCH 2 PIN PLUG HOUSING	1
*	56760	DEUTSCH SOCKET, SOLID, 14-16 GA.	2
*	58793	WEDGELOCK FOR DT06-2S CONNECTOR	1
*	EFAT015	ELEC, FUSE, ATO, 15 AMP	1

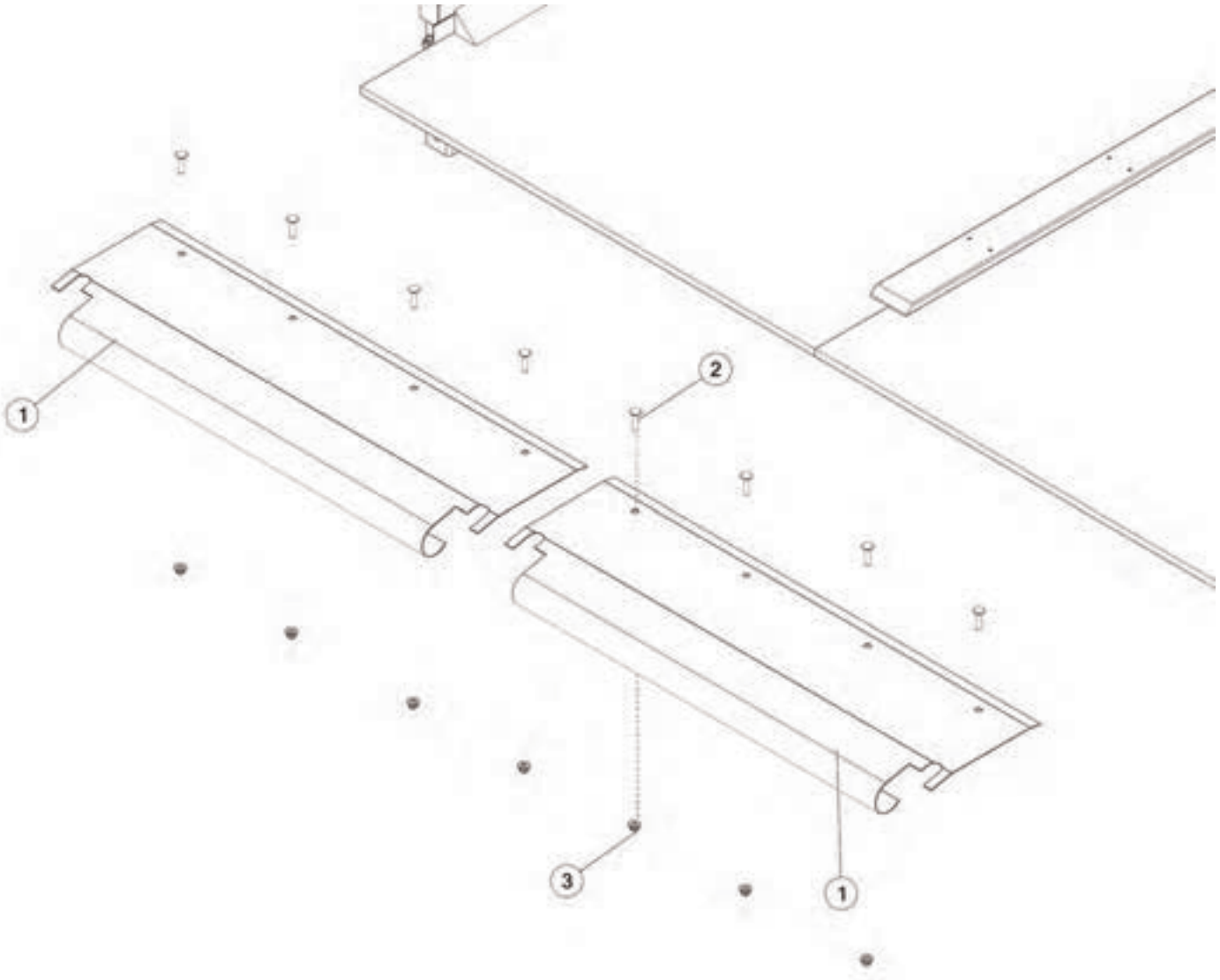


FB745219
FORAGE BOX



FIGURE 1

FRONT DRIVE SHAFT PANEL

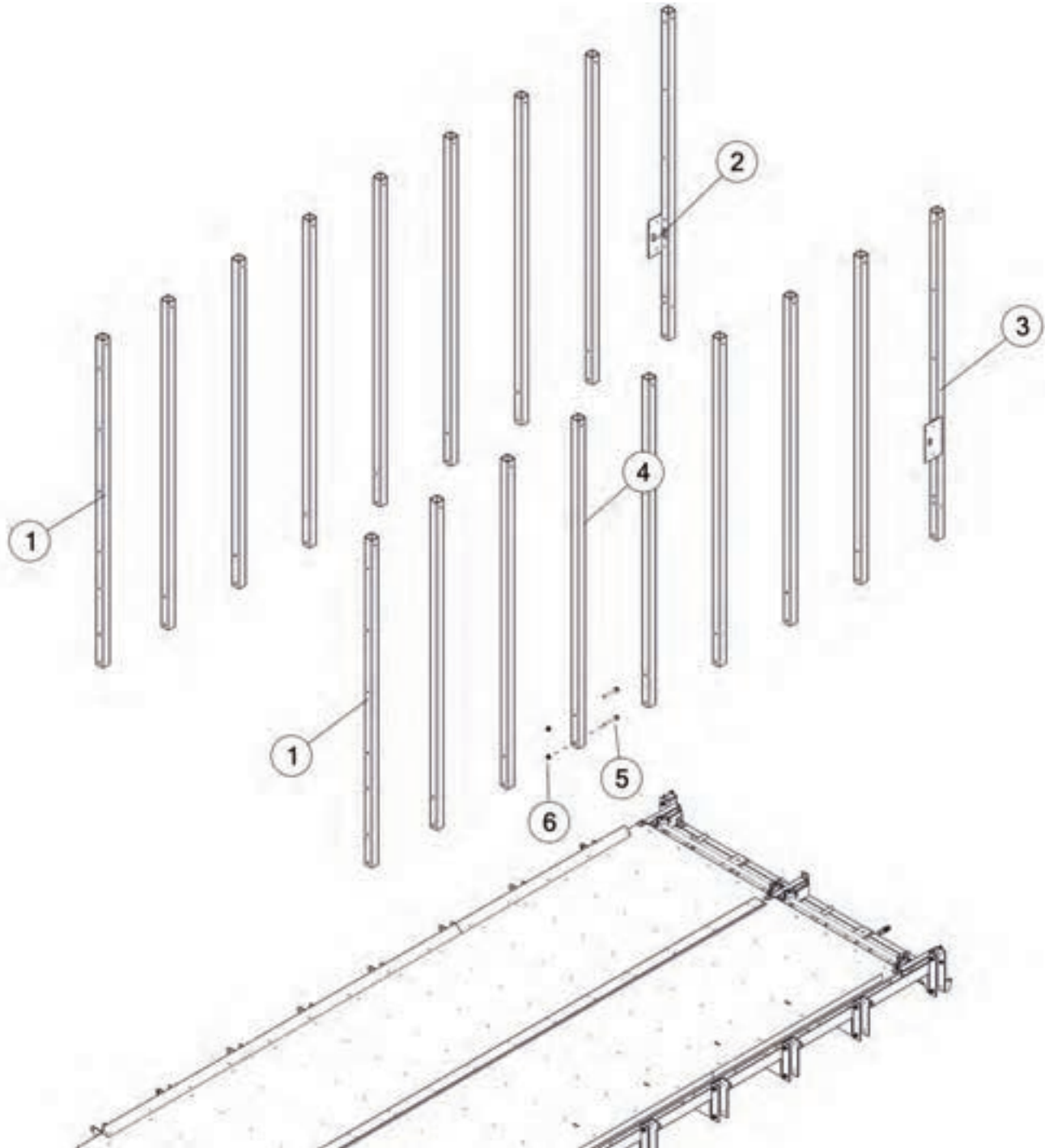


REF #	PART #	DESCRIPTION	QTY
1	72996	SHAFT GUARD	2
2	YBCR12015	BOLT CARRIAGE, 3/8 X 1-1/2 G5	8
3	YNFG12006	NUT FLANGE, 3/8	8



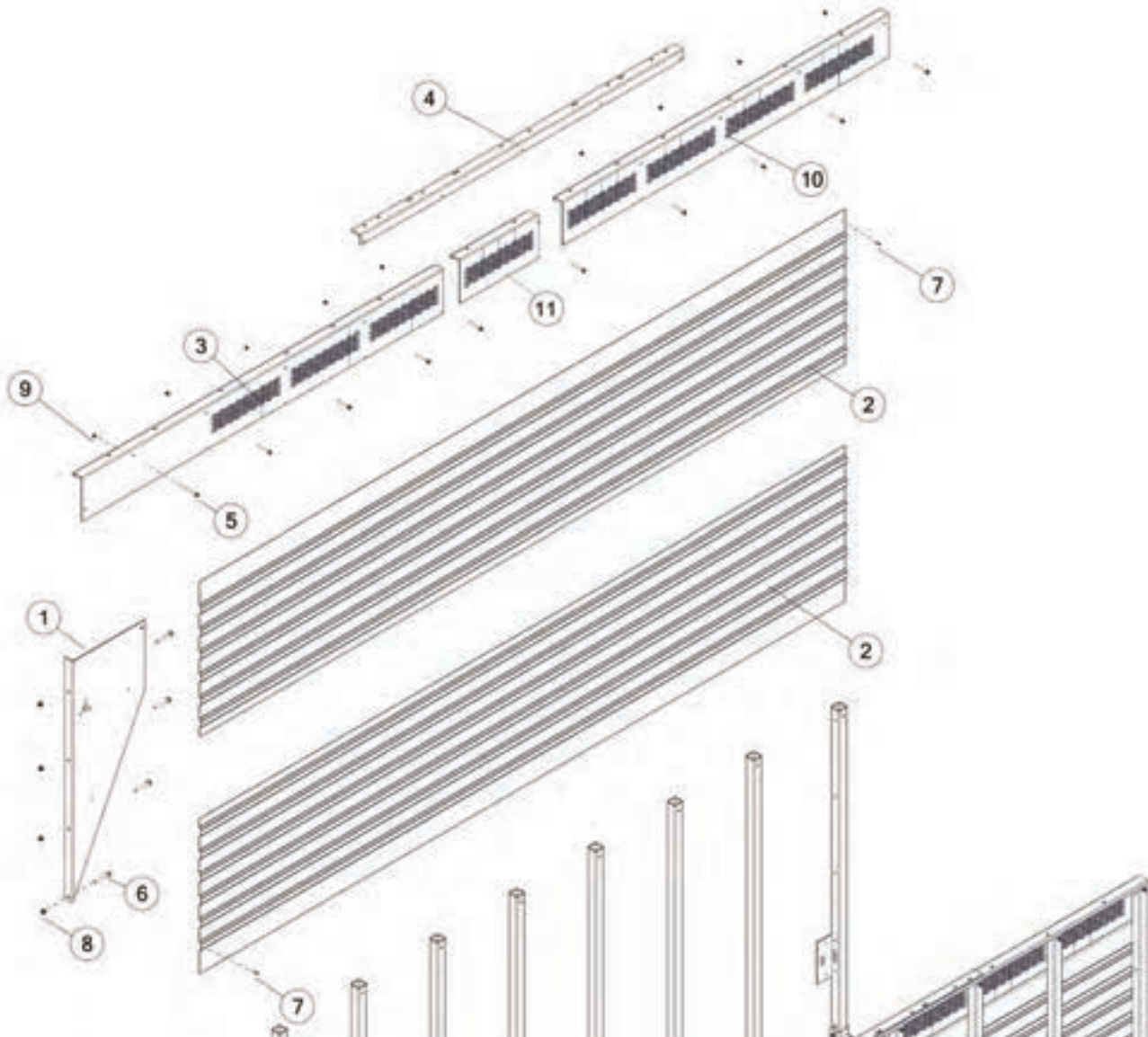
FIGURE 2

SIDE STAKES



REF #	PART #	DESCRIPTION	QTY
1	86407	FRONT STAKE	2
2	87010	BACK STAKE RH	1
3	87008	BACK STAKE LH	1
4	IFB124	SIDE STAKE	16
5	YBFB16400	BOLT FLANGE, 1/2 X 4 G5	28
6	YNFG16003	NUT FLANGE, 1/2	32
*	YBFB16450	BOLT FLANGE, 1/2 X 4-1/2 G5	4



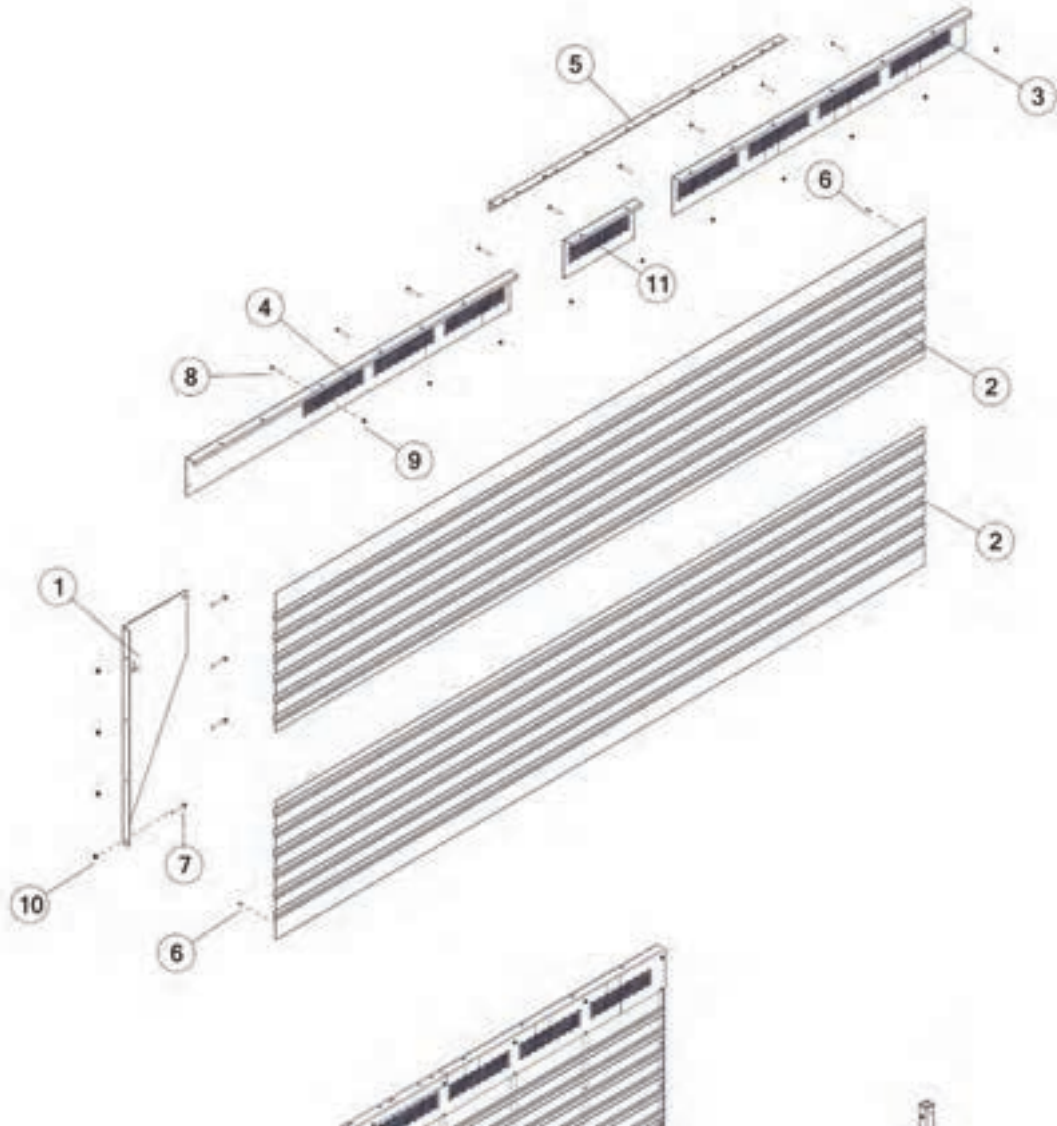


REF #	PART #	DESCRIPTION	QTY
1	86695	4TH BEATER FILLER PANEL	1
2	S477	SIDE STEEL, 19 FT	1
3	87106	TOP RAIL, FRONT	1
4	87107	TOP RAIL SPLICE	1
5	YBFB12350	BOLT FLANGE, 3/8 X 3-1/2 G5	10
6	YBFB16400	BOLT FLANGE, 1/2 X 4 G5	4
7	YSDR66008	SCREW SELF DRILLING, 1-1/4	60
8	YNFG16003	NUT FLANGE, 1/2	4
9	YNFG12006	NUT FLANGE, 3/8	10
10	87105	TOP RAIL, BACK	1
11	87189	TOP RAIL, CENTER	1



FIGURE 4

SIDE METAL & TOP FILLER PANELS LH



REF #	PART #	DESCRIPTION	QTY
1	86696	4TH BEATER FILLER PANEL	1
2	S477	SIDE STEEL, 19 FT	1
3	87099	TOP RAIL, FRONT	1
4	87100	TOP RAIL SPLICE	1
5	YBFB12350	BOLT FLANGE, 3/8 X 3-1/2 G5	10
6	YBFB16400	BOLT FLANGE, 1/2 X 4 G5	4
7	YSDR66008	SCREW SELF DRILLING, 1-1/4	60
8	YNFG16003	NUT FLANGE, 1/2	4
9	YNFG12006	NUT FLANGE, 3/8	10
10	87105	TOP RAIL, BACK	1
11	87189	TOP RAIL, CENTER	1





FIGURE 5

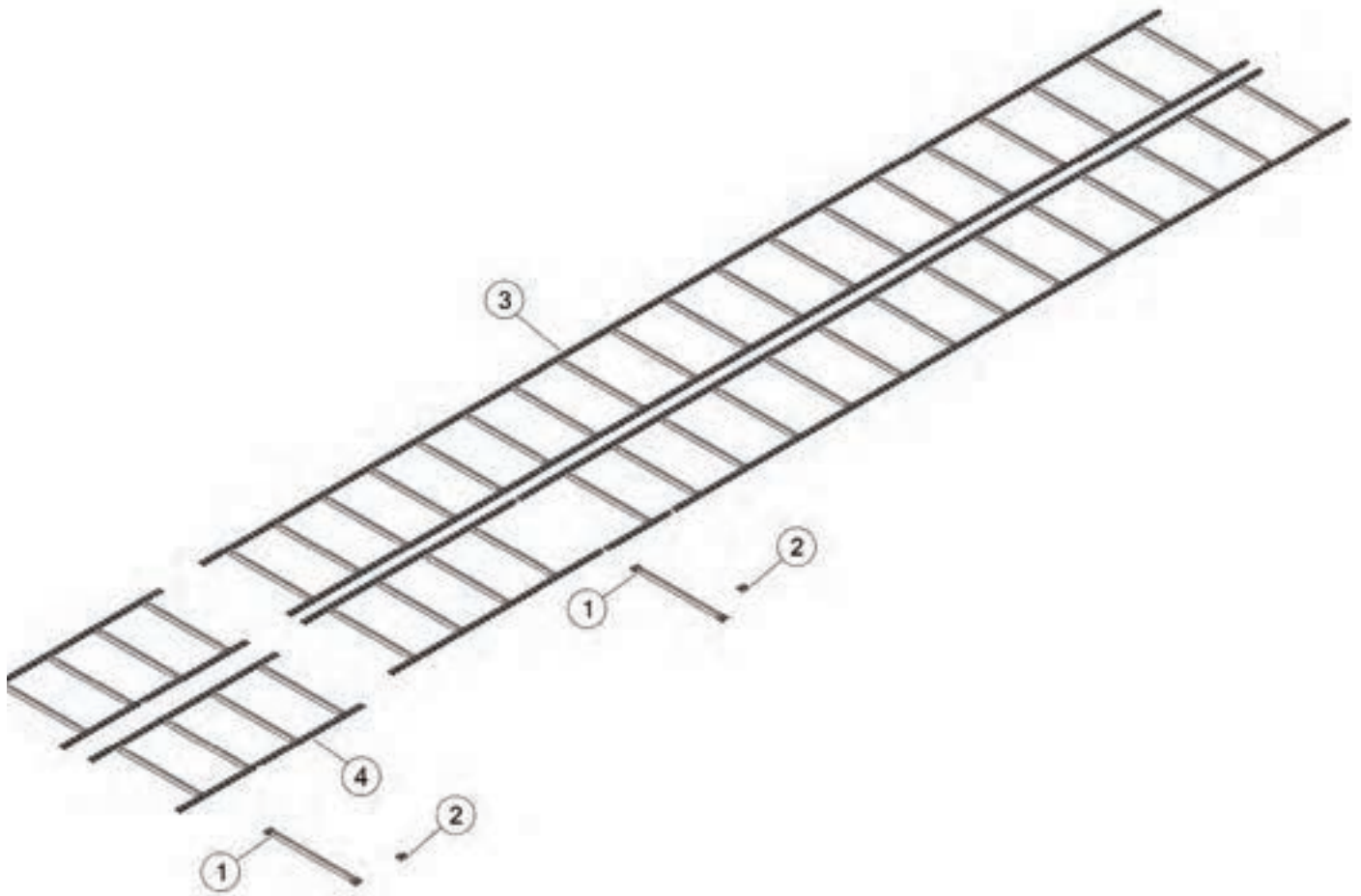
FLOOR & COMPONENTS



REF #	PART #	DESCRIPTION	QTY
1	S491	FLOOR	1

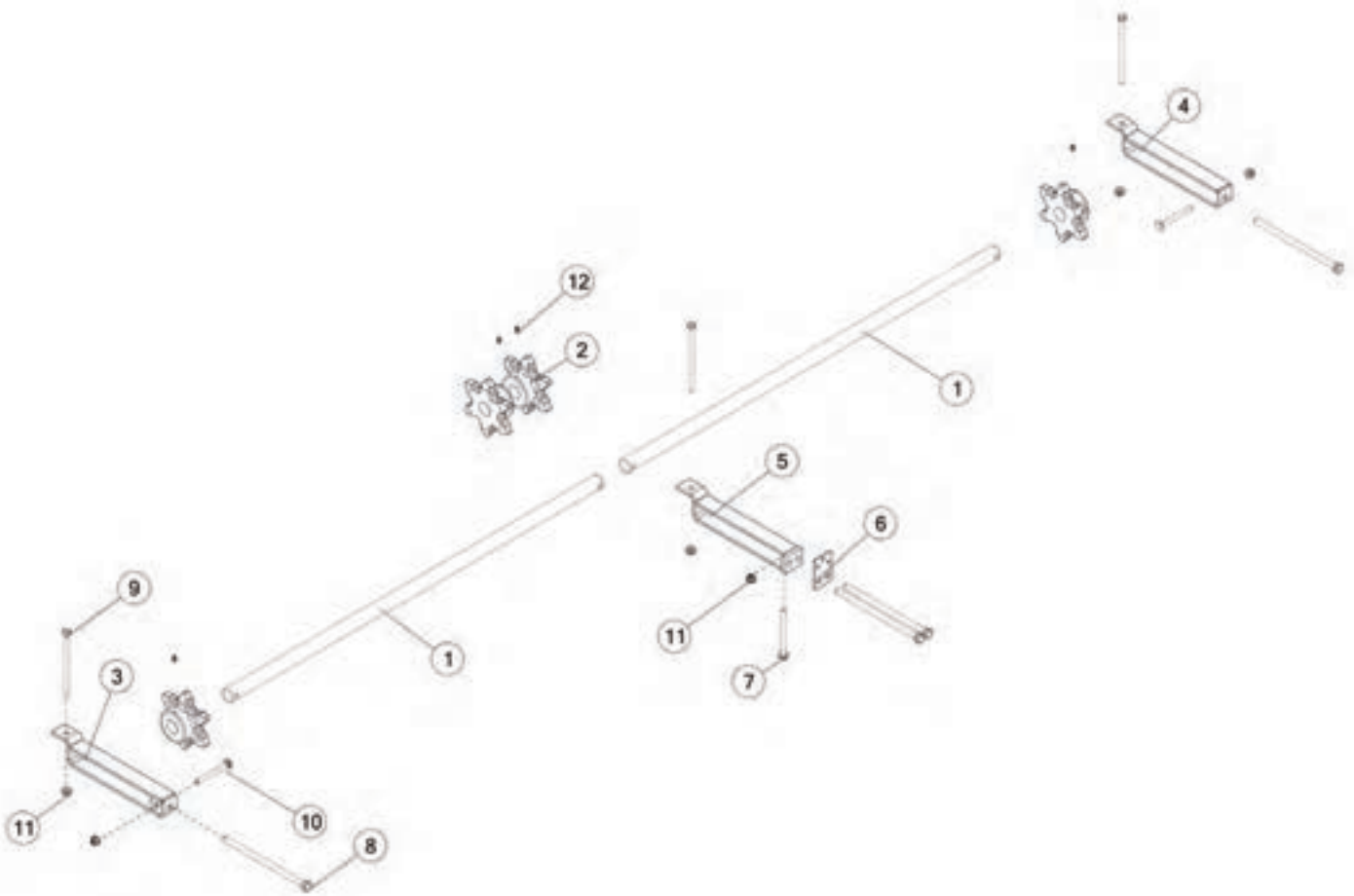


FIGURE 6 APRON CHAIN & COMPONENTS

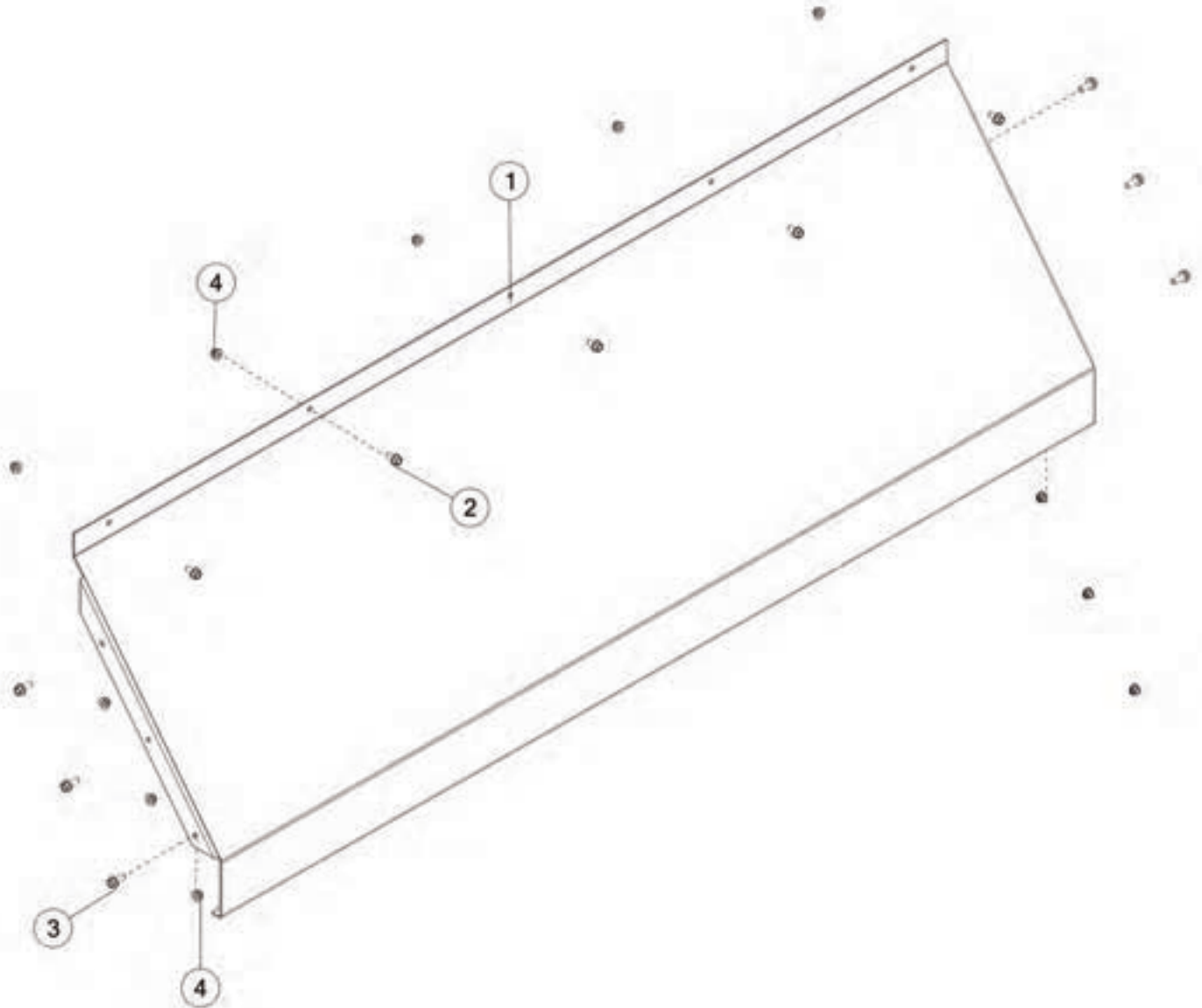


REF #	PART #	DESCRIPTION	QTY
1	IFB133	SLAT, W/ATTACHMENT LINK 667X	**
2	IFB134	CONN LINK W/PIN, 667X	**
3	78755	APRON CHAIN, 667X X 184	2
4	86158	APRON CHAIN, 667X X 23	2
		** AS NEEDED	



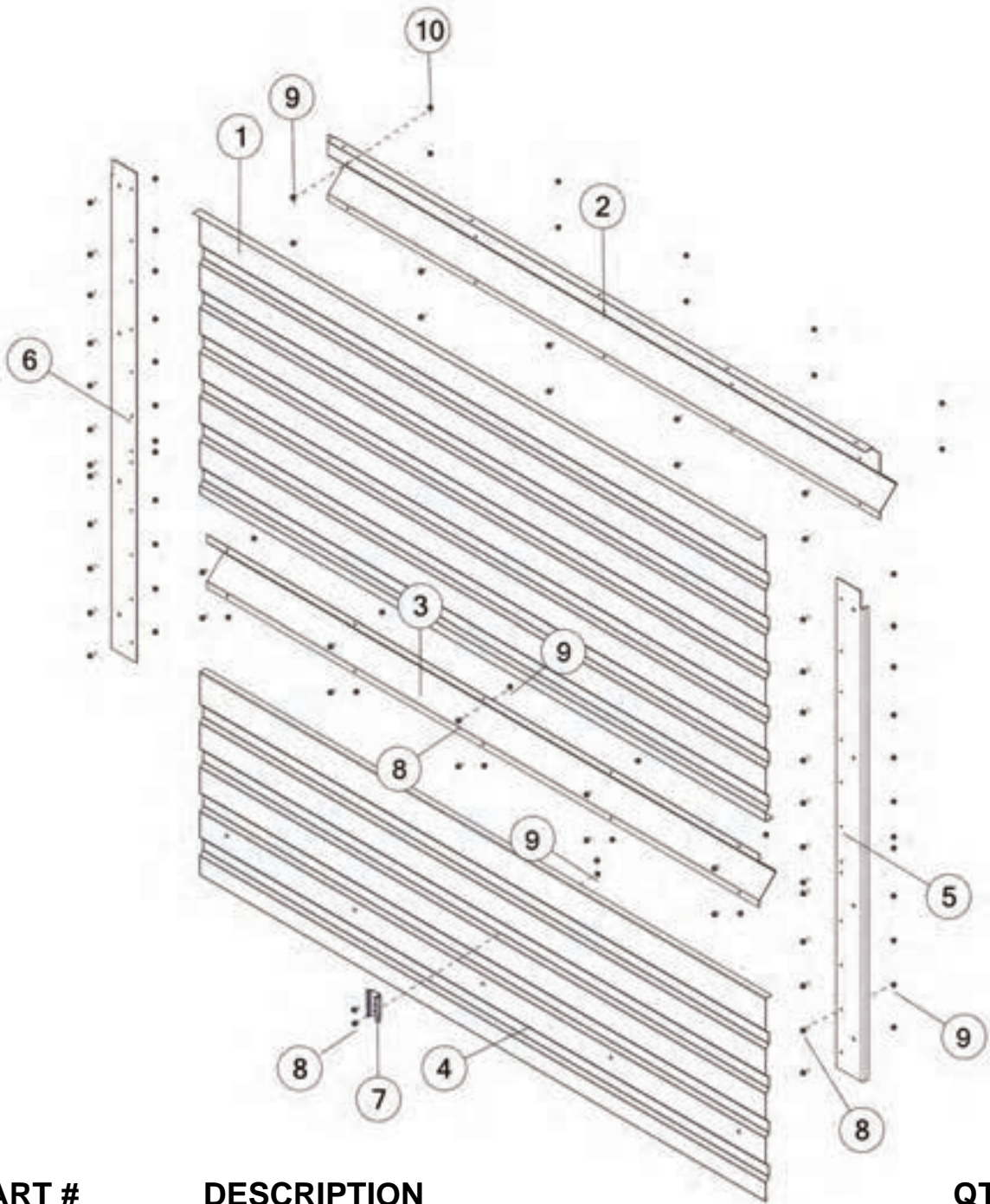


REF #	PART #	DESCRIPTION	QTY
1	87047	IDLER SHAFT	2
2	S60	IDLER SHAFT SPROCKET	4
3	87041	REAR IDLER BRACKET LH	1
4	87046	REAR IDLER BRACKET RH	1
5	S64	CENTER IDLER BRACKET	1
6	S371	CABLE BRACKET	4
7	YBFB12450	BOLT FLANGE, 3/8 X 4-1/2 G5	1
8	YBHH16190	BOLT HEX, 1/2 X 9-1/2	4
9	YBHH12240	BOLT HEX, 3/8 X 6-1/2 G5	3
10	YBCR12090	BOLT CARRIAGE, 3/8 X 3-3/4 G5	2
11	YNFG12006	NUT FLANGE, 3/8	6
12	G89	STRAIGHT ZERK 1/4-28 X 90	4



REF #	PART #	DESCRIPTION	QTY
1	87142B	INSERT, REAR W/DECALS	1
2	YBFB12075	BOLT FLANGE, 3/8 X 3/4 G5	5
3	YBFB12003	BOLT FLANGE, 3/8 X 1 G5	6
4	YNFG12006	NUT FLANGE, 3/8	11



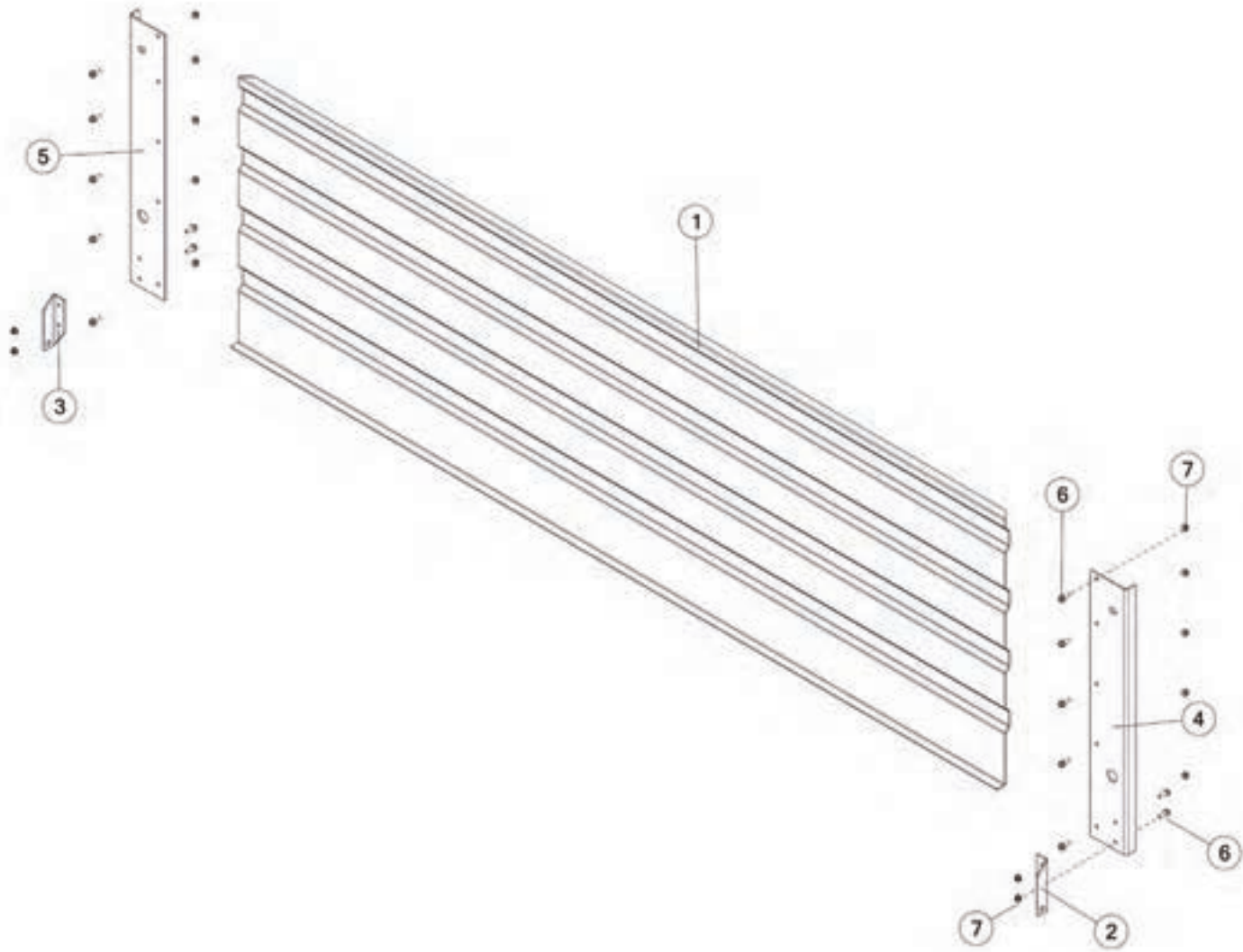


REF #	PART #	DESCRIPTION	QTY
1	S188	BACK DOOR TOP STEEL	1
2	SSF14G07	PANEL BRACE	1
3	87093	PANEL BRACE	1
4	87056	BACK DOOR CENTER STEEL	1
5	87061	BACK DOOR TOP RH	1
6	87063	BACK DOOR TOP LH	1
7	F97	SMV BRACKET	1
8	YBFB08075	BOLT FLANGE, 1/4 X 3/4 G5	46
9	YNFG08010	NUT FLANGE, 1/4	46



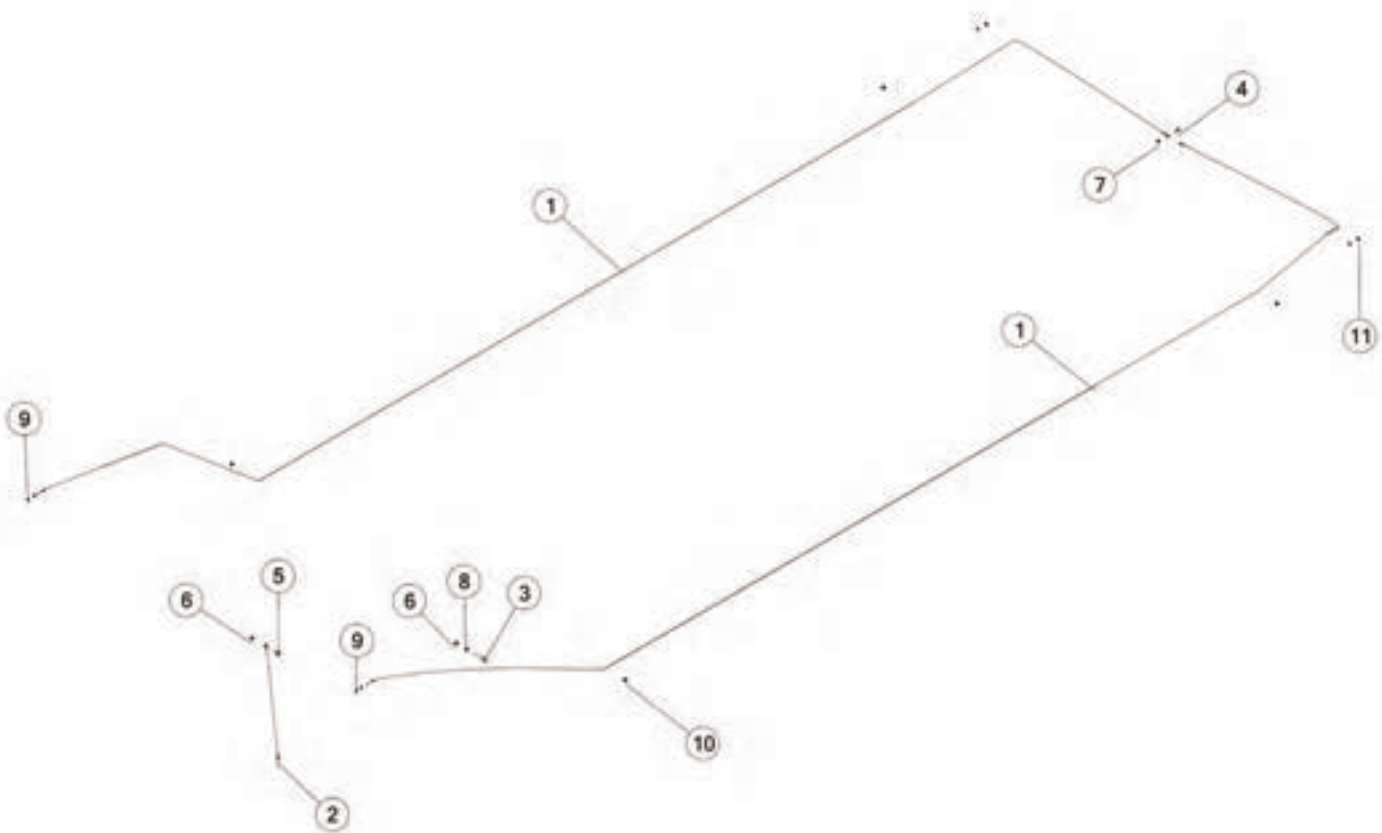
FIGURE 10

BACK DOOR TAILGATE & COMPONENTS

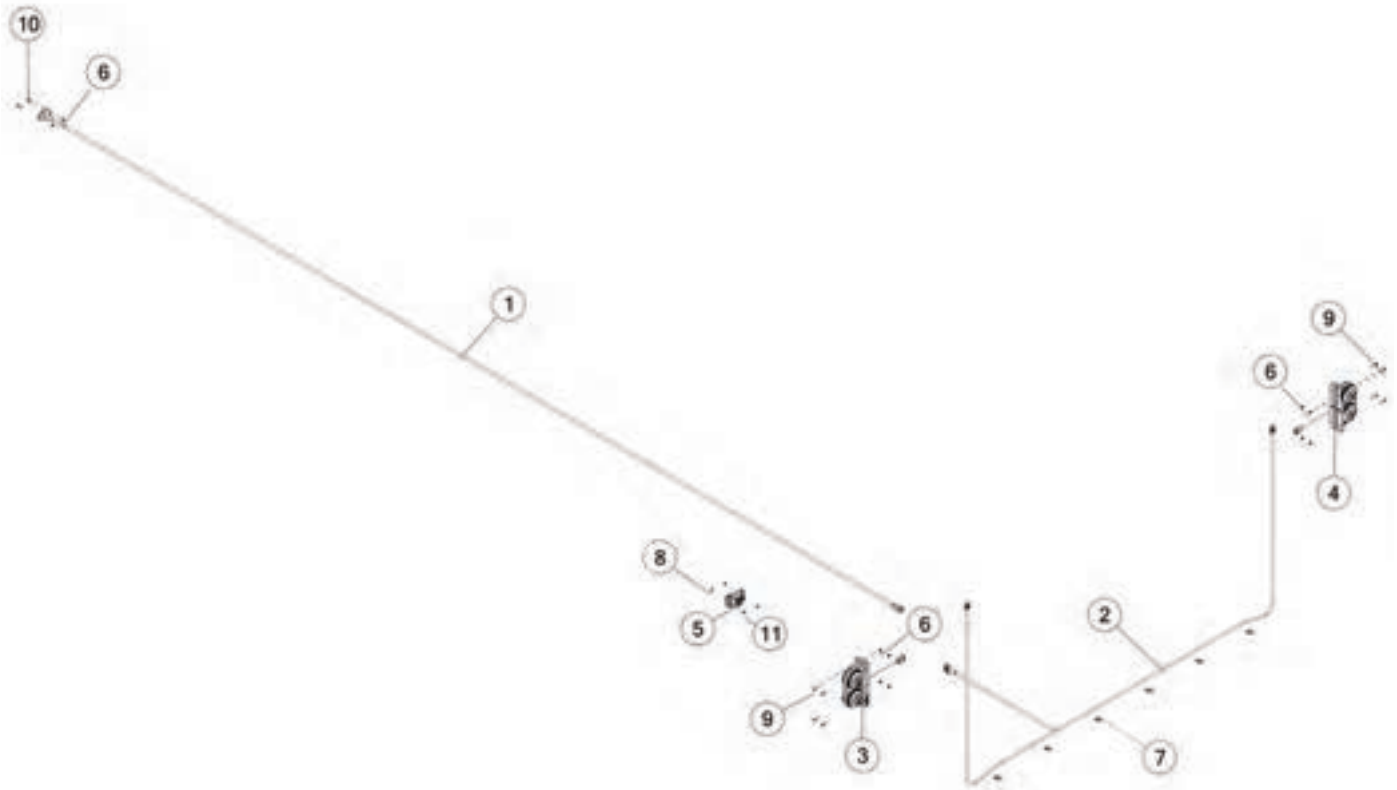


REF #	PART #	DESCRIPTION	QTY
1	S197	BACK DOOR TAILGATE STEEL	1
2	S199	HINGE TOP PIECE RH	1
3	S193	HINGE TOP PIECE LH	1
4	S196	TAILGATE SIDE PIECE RH	1
5	S195	TAILGATE SIDE PIECE LH	1
6	YBFB08075	BOLT FLANGE, 1/4 X 3/4 G5	14
7	YNFG08010	NUT FLANGE, 1/4	14



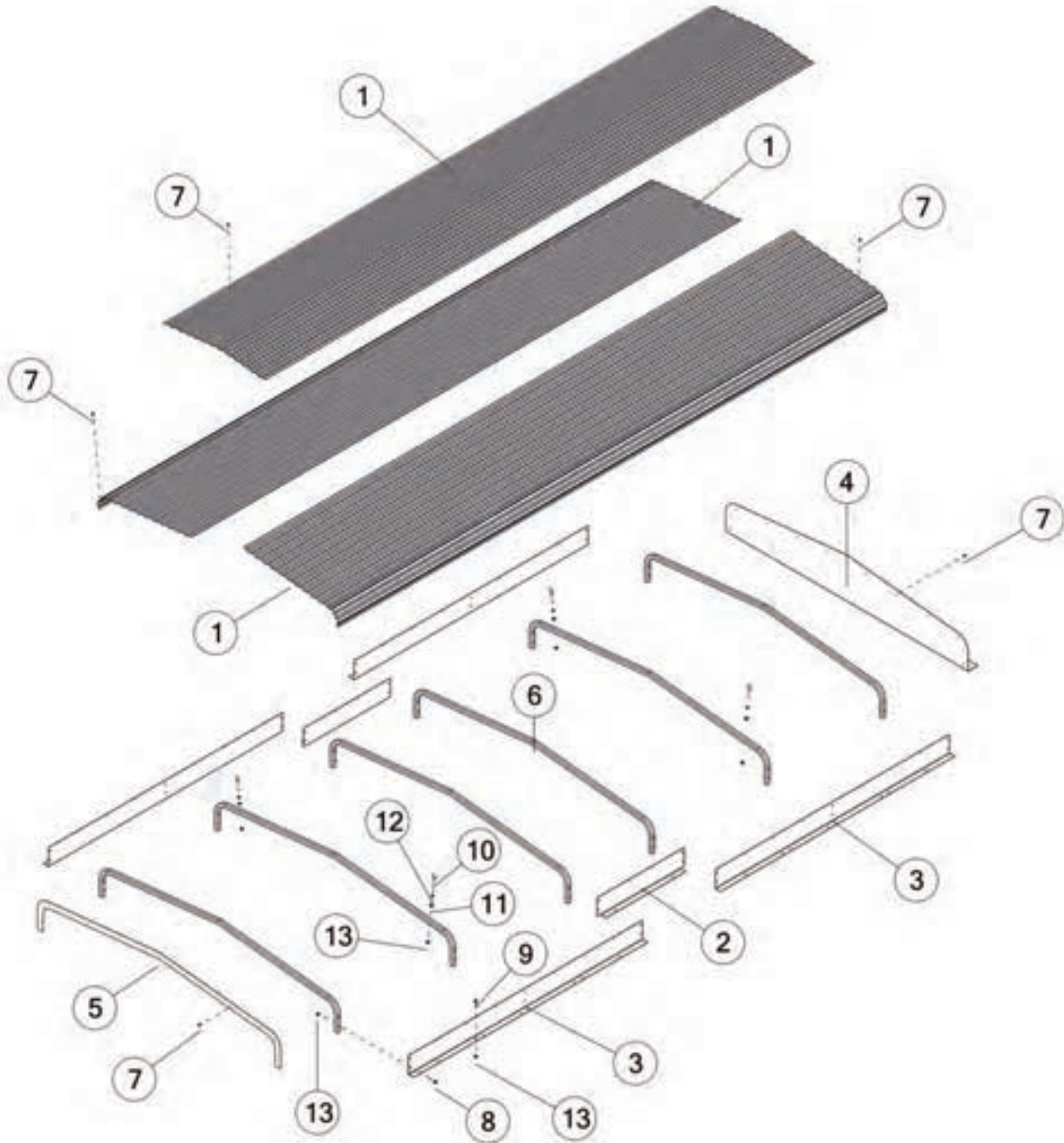


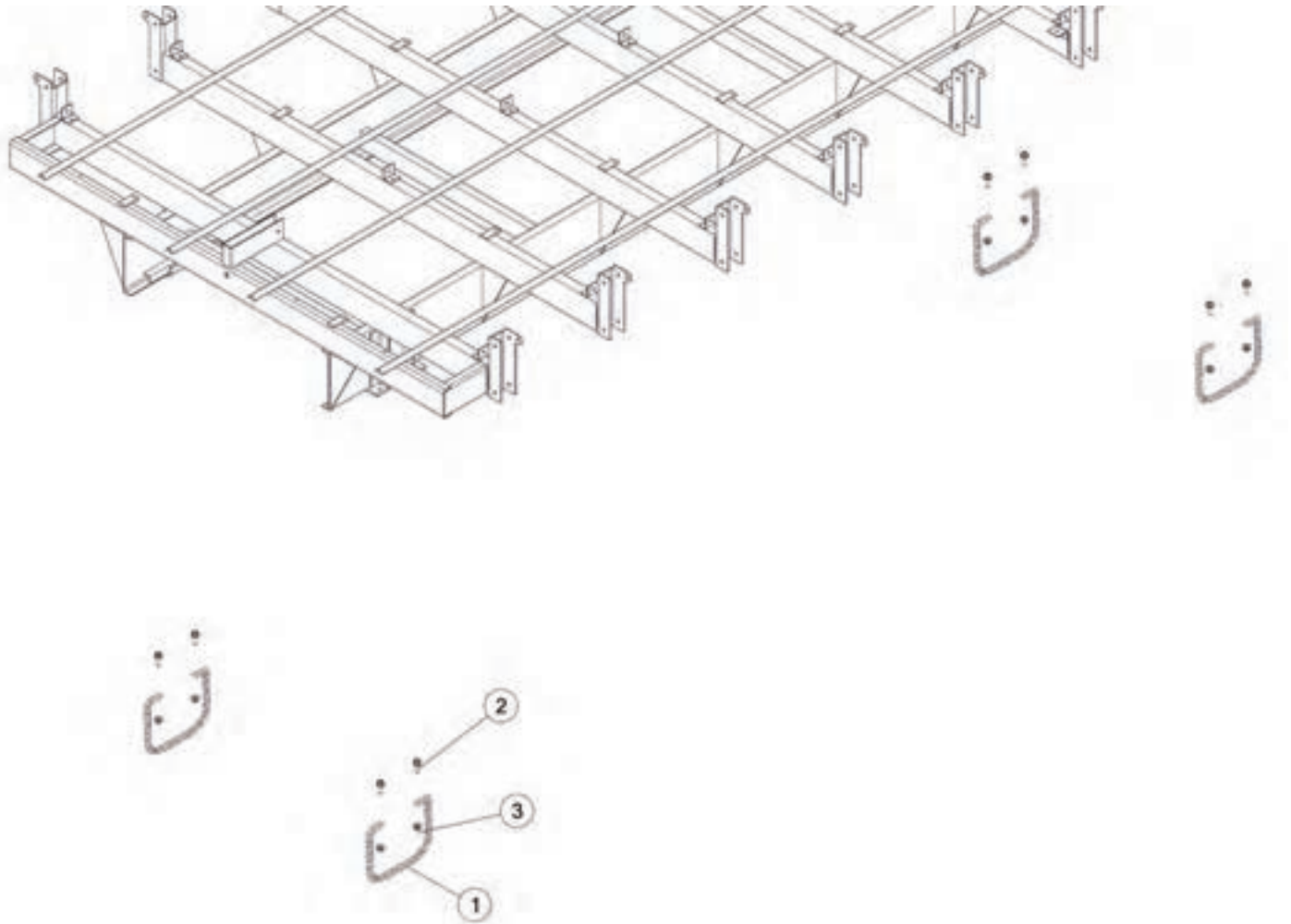
REF #	PART #	DESCRIPTION	QTY
1	87456	EMERGENCY STOP CABLE RH	2
2	80576	EMERGENCY STOP CABLE LH	1
3	YBTE12015	BOLT TURNED EYE, 3/8 X 2-1/2	1
4	YBFB10075	BOLT FLANGE, 5/16 X 3/4 G5	1
5	YBFB12003	BOLT FLANGE, 3/8 X 1 G5	1
6	YNFG12006	NUT FLANGE, 3/8	2
7	YNFG10005	NUT FLANGE, 5/16	1
8	YNHX12005	NUT, HEX, 3/8	1
9	YNHX08006	NUT, HEX, 1/4 G5	4
10	85283	GROMMET	4
11	ST57	PLASTIC GROMMET FOR CABLE	4



REF #	PART #	DESCRIPTION	QTY
1	BFR668	LIGHT HARNESS, FRONT	1
2	78360	LIGHT HARNESS, BACK	1
3	77923	TAIL LIGHT LH	1
4	77924	TAIL LIGHT RH	1
5	72755	MODULE	1
6	YNFG08010	NUT FLANGE, 1/4	10
7	56021	METAL WIRE CLIP	22
8	YNNY64005	NUT HEX, #10-24 G2	3
9	YBHH08035	BOLT HEX, 1/4 X 1-1/4	8
10	YBFB08075	BOLT FLANGE 1/4 X 3/4 G5	2
11	YSPN64005	SCREW PAN HEAD, 10 X 5/8	3











Manufactured By:
H&S MANUFACTURING CO., INC.
2608 S. HUME AVE. MARSHFIELD, WI 54449
(715) 387-3414 | hsmfgco.com

