



PARTS BOOK

FB746219

FORAGE BOX

Part #HS101733

Rev. #00

HSMFG031424

Starting Ser. #422C619001



INSTRUCTIONS FOR ORDERING PARTS

All service parts should be ordered through your authorized H&S dealer. Your Dealership will be able to give you faster service if you will provide them with the following:

1. All references to left or right apply to the machine as viewed from the rear.
2. Parts should not be ordered from illustration only. Please order complete part number.
3. If your dealer has to order parts - give shipping instructions:

VIA truck - large pieces (please specify local truck lines)

VIA United Parcel Service (include full address)

| | |
|------------------------------|----------------------|
| H&S MFG. CO. INC. | |
| MARSHFIELD, WIS. | |
| MOD. NO. | <input type="text"/> |
| SER. NO. | <input type="text"/> |
| DESCR. | <input type="text"/> |

PLEASE RECORD NUMBERS FOR YOUR UNIT FOR QUICK REFERENCE

H&S IS CONTINUALLY STRIVING TO IMPROVE ITS PRODUCTS

We must, therefore, reserve the right to make improvements or changes whenever it becomes practical to do so, without incurring any obligation to make changes or additions to the equipment previously sold.

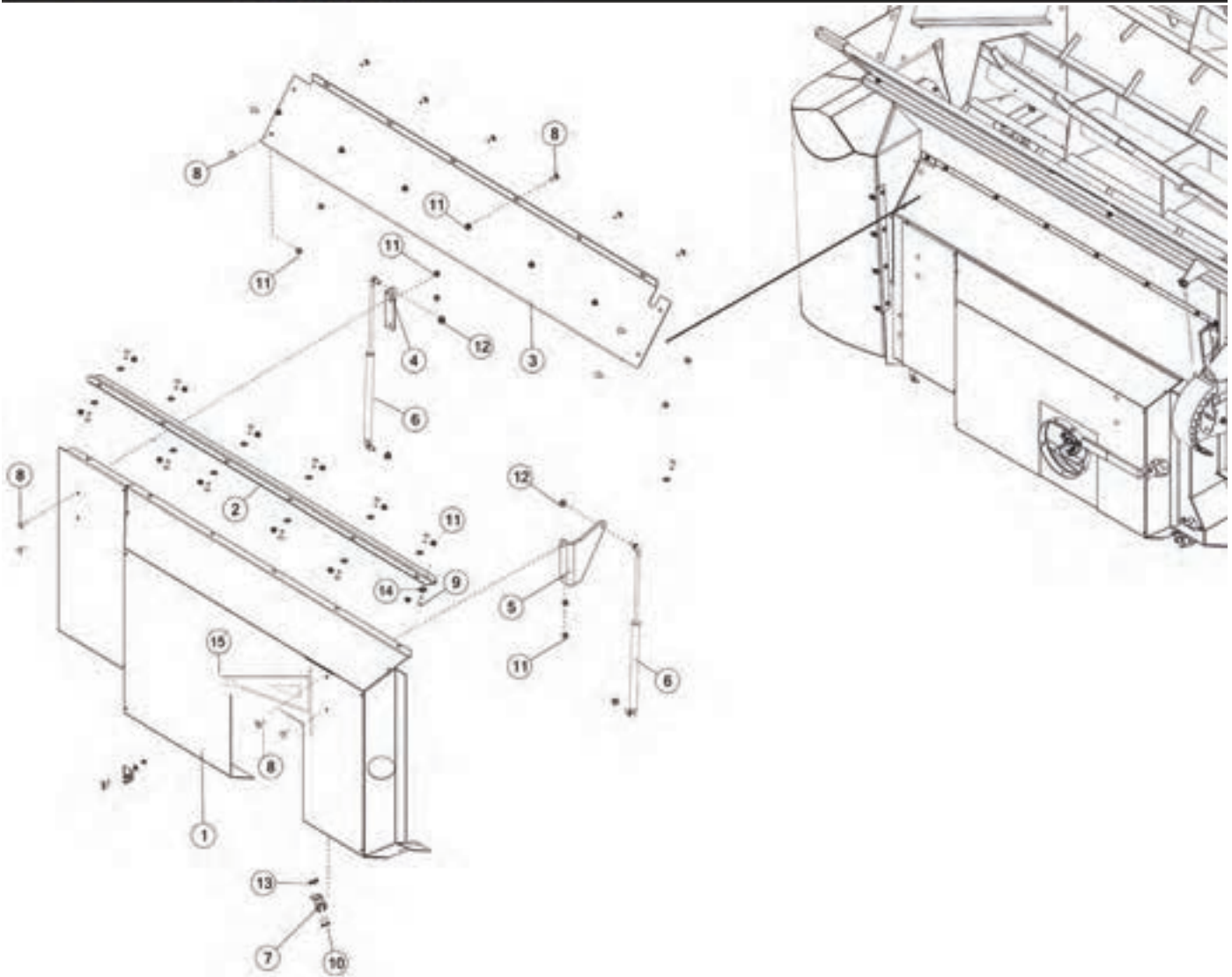


CROSS CONVEYOR UNIT



CROSS CONVEYOR

| FIGURE # | CONTENTS | PAGE # |
|----------|---|--------|
| 1 | FRONT SHIELDS & COMPONENTS | 4 |
| 2 | SIDE SHIELD & COMPONENTS | 5 |
| 3 | TOP FRONT SHIELDS & COMPONENTS | 6-7 |
| 4 | CROSS CONVEYOR PANELS & COMPONENTS | 8 |
| 5 | RETURN PANEL & COMPONENTS | 9 |
| 6 | BEATER PANEL & COMPONENTS LH | 10-11 |
| 7 | EXTENSION & COMPONENTS | 12-15 |
| 8 | EXTENSION CYLINDER & COMPONENTS | 16-17 |
| 9 | HOUSING PANEL & COMPONENTS RH | 18-19 |
| 10 | BEATER COMPONENTS RH | 20-21 |
| 11 | BEATER COMPONENTS LH | 22-23 |
| 12 | SIDE DOOR & COMPONENTS RH | 24-25 |
| 13 | BEATER SHIELD & COMPONENTS | 26-27 |
| 14 | APRON DRIVE SHAFT & COMPONENTS | 28-29 |
| 15 | BEATER CHAINS & SPROCKETS. | 30-31 |
| 16 | MAIN APRON & CROSS CONVEYOR DRIVE | 32-33 |
| 17 | CLUTCH COMPONENTS | 34-35 |
| 18 | SHEAVES/BELTS & COMPONENTS | 36-37 |
| 19 | FRONT DRIVE CHAIN/SPROCKET & COMPONENTS | 38-39 |
| 20 | FRONT DRIVE/BELTS & COMPONENTS | 40-41 |
| 21 | BEATER GEARBOX | 42-43 |
| 22 | WORM GEARBOX | 44-45 |
| 23 | PTO 540 RPM LONG | 46 |
| 24 | PTO 540 RPM STANDARD | 47 |
| 25 | OPTIONAL TOP BEATER | 48-49 |
| 26 | HYDRAULIC DRIVE KIT | 50-51 |
| 27 | ELECTRIC CAB CONTROL KIT | 52-53 |
| | | |
| | | |
| | | |
| | | |
| | | |
| | | |
| | | |
| | | |
| | | |
| | | |
| | | |

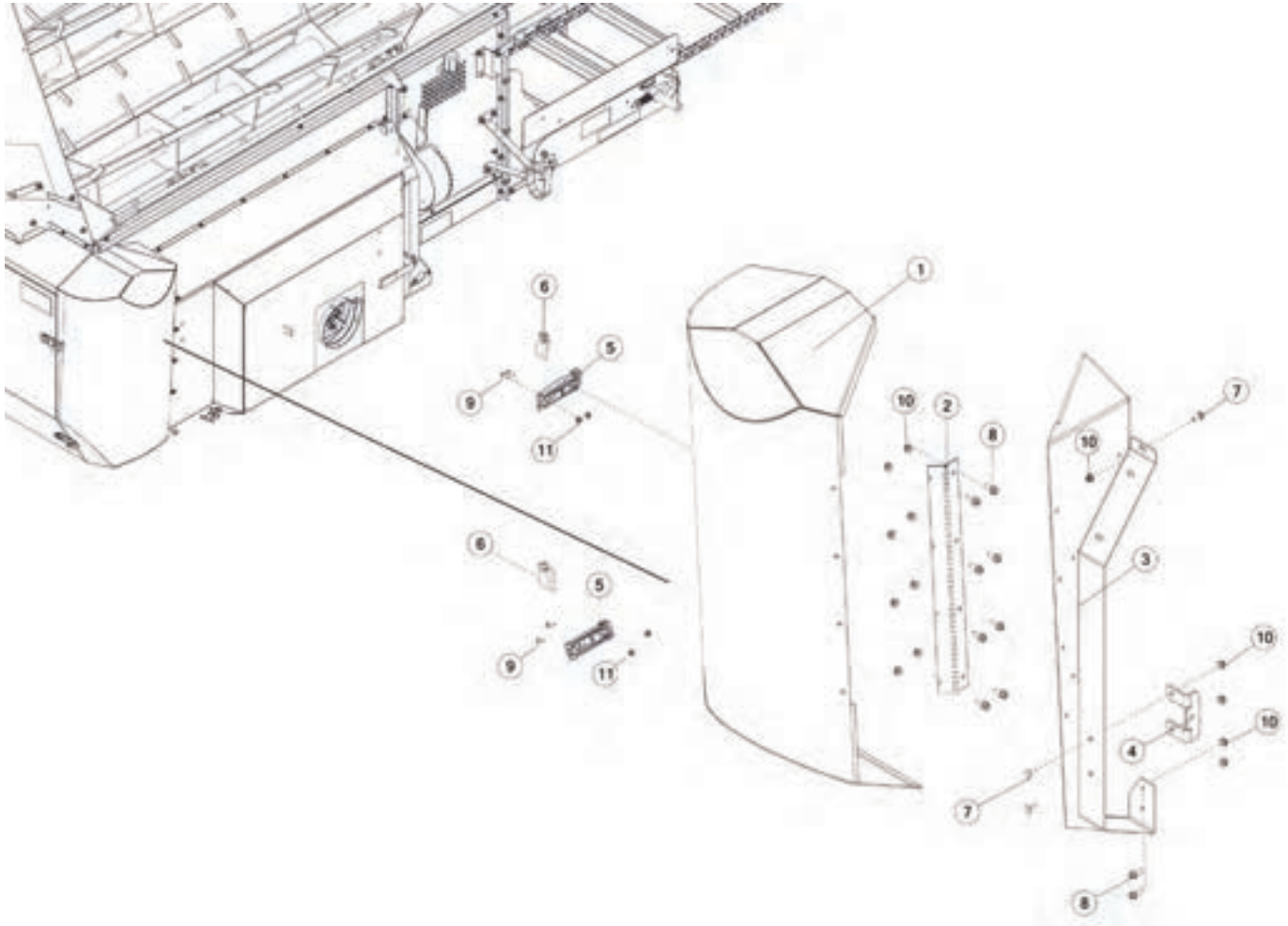


| REF # | PART # | DESCRIPTION | QTY |
|-------|-----------|----------------------------------|-----|
| 1 | 79104 | DOOR SHIELD, FRONT | 1 |
| 2 | 79039 | PIANO HINGE | 1 |
| 3 | 74148 | SHIELD, FRONT | 1 |
| 4 | 80594 | GAS SPRING UPPER BRACKET RH | 1 |
| 5 | 80597 | GAS SPRING UPPER BRACKET LH | 1 |
| 6 | 80583 | GAS SPRING | 1 |
| 7 | X233 | LATCH CATCH | 2 |
| 8 | YBCR08040 | BOLT CARRIAGE, 1/4 X 3/4 G5 | 14 |
| 9 | YSFS08010 | BOLT FLAT SOCKET HEAD, 1/4 X 3/4 | 12 |
| 10 | YSPN64005 | SCREW PAN HEAD, 10 X 5/8 | 4 |
| 11 | YNFG08010 | NUT FLANGE, 1/4 | 26 |
| 12 | YNFG10005 | NUT FLANGE, 5/16 | 2 |
| 13 | YNNY64005 | NUT HEX, #10-24, G2 | 4 |
| 14 | YWFL08005 | WASHER FLAT, 1/4 | 12 |
| 15 | 91236 | BRACKET, HOSE TETHER | 1 |



FIGURE 2

SIDE SHIELD & COMPONENTS



| REF # | PART # | DESCRIPTION | QTY |
|-------|-----------|-----------------------------|-----|
| 1 | 81415B | CORNER SHIELD, ROUND FRONT | 1 |
| 2 | 74267 | PIANO HINGE | 1 |
| 3 | 81533 | INSIDE CORNER SHIELD, FRONT | 1 |
| 4 | 80595 | GAS SPRING LOWER BRACKET RH | 1 |
| 5 | 80180 | DRAW LATCH | 2 |
| 6 | YPLY08011 | LYNCH PIN, 1/4 X 1-9/16 | 2 |
| 7 | YBCR08040 | BOLT CARRIAGE, 1/4 X 3/4 G5 | 3 |
| 8 | YBFB08075 | BOLT FLANGE, 1/4 X 3/4 G5 | 10 |
| 9 | YSPP62006 | SCREW PAN HEAD, #8-32 X 1/2 | 4 |
| 10 | YNFG08010 | NUT FLANGE, 1/4 | 13 |
| 11 | YNNY62005 | NUT HEX, #8-32 G2 | 4 |

| | | | |
|--|--|--|--|
| | | | |
| | | | |



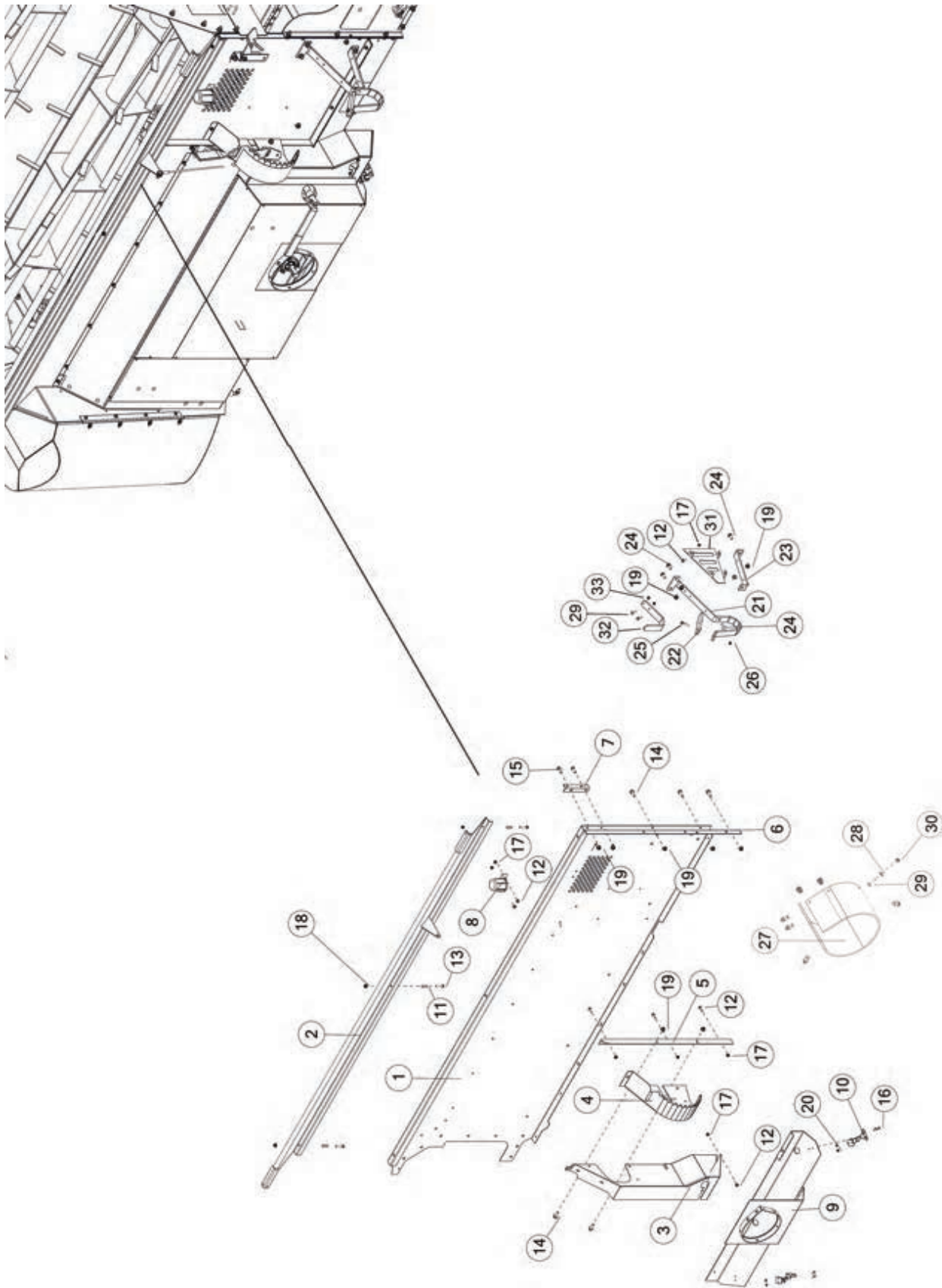


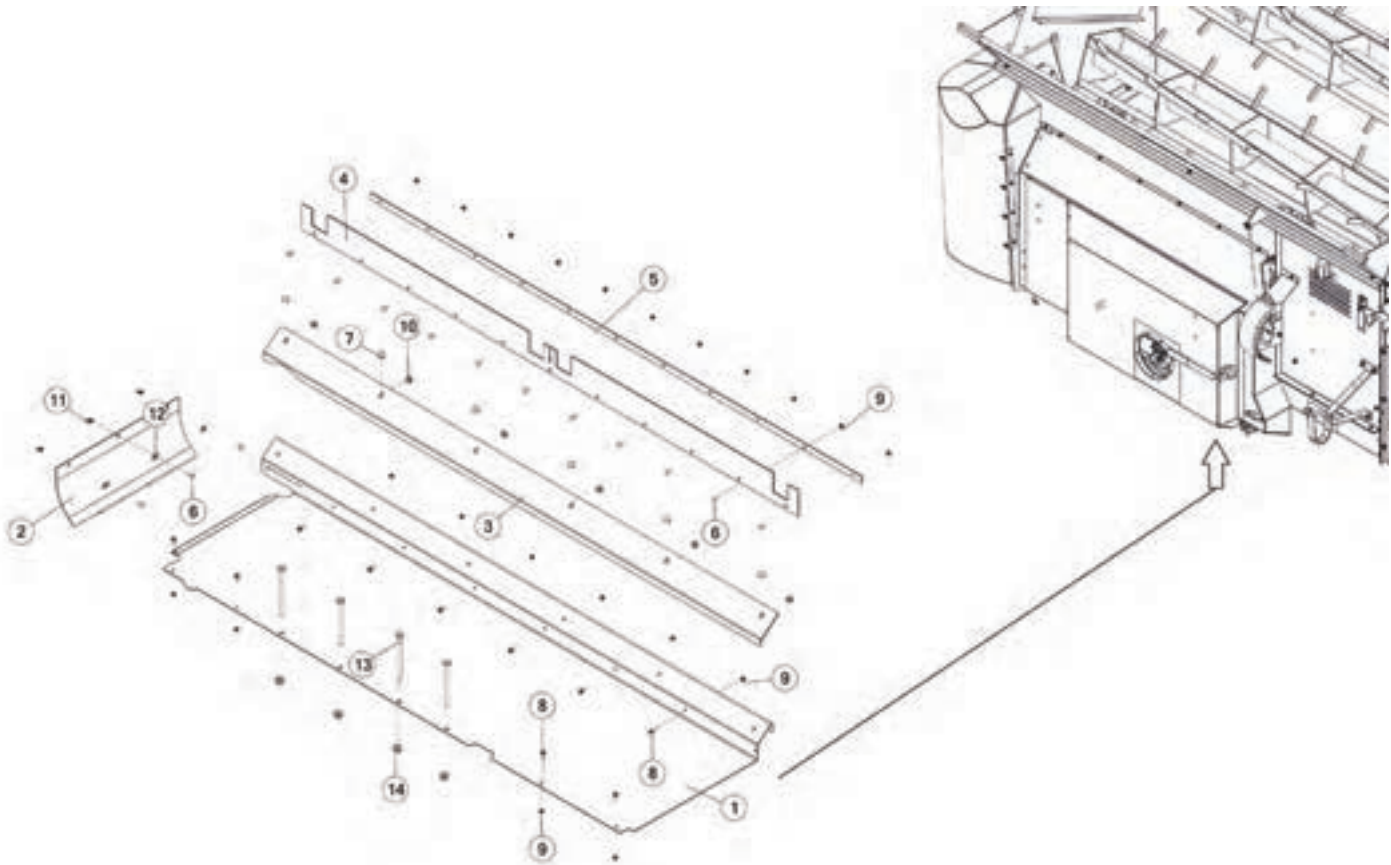


FIGURE 3

TOP FRONT SHIELD & COMPONENTS

| REF # | PART # | DESCRIPTION | QTY |
|-------|-----------|-----------------------------|-----|
| 1 | 78956B | UNIT PANEL, FRONT | 1 |
| 2 | 79098 | EMERGENCY STOP PANEL | 1 |
| 3 | 79037 | SHIELD, FRONT LH | 1 |
| 4 | 73302 | SPEED SELECTOR BRACKET | 1 |
| 5 | 73314 | PANEL BRACE, FRONT | 1 |
| 6 | 73287 | SUPPORT BRACKET, FRONT | 1 |
| 7 | 73343 | ANGLE BRACKET, CORNER LH | 1 |
| 8 | CHM38 | PLUG STORAGE | 1 |
| 9 | 79040 | PTO SHIELD | 1 |
| 10 | X233 | LATCH ASSEMBLY | 2 |
| 11 | S7 | SPRING | 3 |
| 12 | YBFB08075 | BOLT FLANGE, 1/4 X 3/4 G5 | 9 |
| 13 | YBFB08150 | BOLT FLANGE, 1/4 X 1-1/2 G5 | 3 |
| 14 | YBFB12003 | BOLT FLANGE, 3/8 X 1 G5 | 5 |
| 15 | YBHH12010 | BOLT HEX, 3/8 X 1 G5 | 2 |
| 16 | YSPN64005 | SCREW PAN HEAD, 10 X 5/8 | 4 |
| 17 | YNFG08010 | NUT FLANGE, 1/4 | 10 |
| 18 | YNFG10005 | NUT FLANGE, 5/16 | 3 |
| 19 | YNFG12006 | NUT FLANGE, 3/8 | 11 |
| 20 | YNNY64005 | NUT HEX, 10-24 G2 | 4 |
| 21 | 80558 | TOP PTO BRACKET | 1 |
| 22 | S78 | RUBBER TAB | 1 |
| 23 | 80559 | HOLDER BRACKET | 1 |
| 24 | YBCR12010 | BOLT CARRIAGE, 3/8 X 1 G5 | 4 |
| 25 | YBFB08125 | BOLT FLANGE, 1/4 X 1-1/4 G5 | 1 |
| 26 | YNFG08010 | NUT FLANGE, 1/4 | 1 |
| 27 | 79070 | PTO RUBBER | 1 |
| 28 | YWFL08005 | WASHER FLAT, 1/4 | 7 |
| 29 | YBHH08010 | BOLT HEX, 1/4 X 1 | 9 |
| 30 | YNNY08005 | NUT HEX, 1/4 | 7 |
| 31 | 80561 | HOSE HOLDER | 1 |
| 32 | 80562 | HYDRAULIC HOSE HOLDER | 1 |
| 33 | YNRL08005 | NUT HEX, 1/4 | 2 |
| | | | |
| | | | |
| | | | |
| | | | |



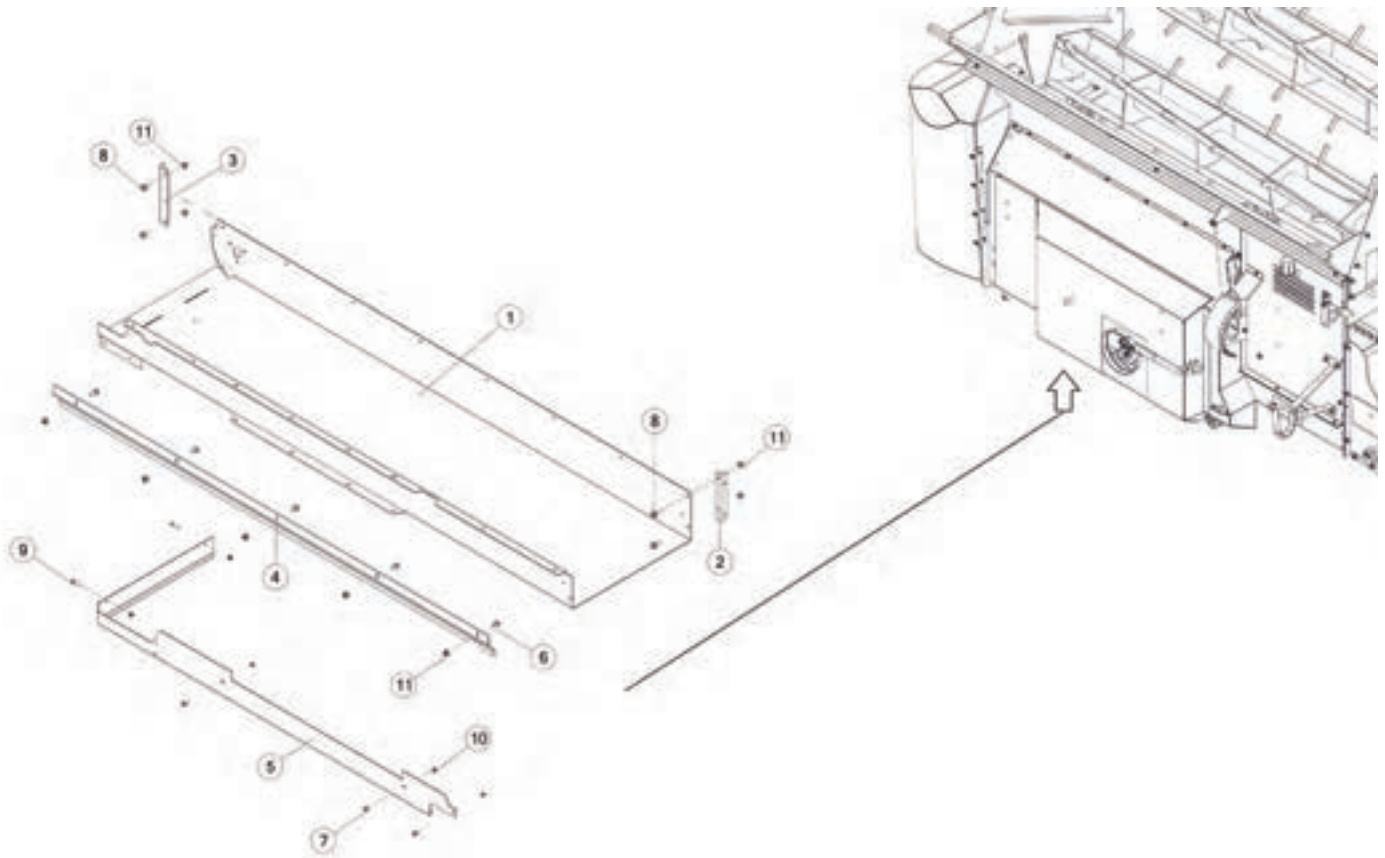


| REF # | PART # | DESCRIPTION | QTY |
|-------|-----------|-------------------------------|-----|
| 1 | 78955 | CROSS APRON PAN | 1 |
| 2 | 79108 | RETURN PAN | 1 |
| 3 | 72888 | HOLD DOWN | 1 |
| 4 | S306 | RUBBER SEAL | 1 |
| 5 | S288 | RUBBER SEAL STRAP | 1 |
| 6 | YBCR08040 | BOLT CARRIAGE, 1/4 X 3/4 G5 | 14 |
| 7 | YBCR12065 | BOLT CARRIAGE, 3/8 X 3/4 G5 | 6 |
| 8 | YBFB08075 | BOLT FLANGE, 1/4 X 3/4 G5 | 10 |
| 9 | YNFG08010 | NUT FLANGE, 1/4 | 21 |
| 10 | YNFG12006 | NUT FLANGE, 3/8 | 6 |
| 11 | YNWG08005 | NUT WING, 1/4 | 3 |
| 12 | YNSP08005 | NUT SPRING, RCT FLAT, 1/4 X 1 | 3 |
| 13 | YBHH16175 | BOLT HEX, 1/2 X 6-1/2 G5 | 4 |
| 14 | YNFG16003 | NUT FLANGE, 1/2 | 4 |



FIGURE 5

RETURN PANEL & COMPONENTS



| REF # | PART # | DESCRIPTION | QTY |
|-------|-----------|--------------------------------|-----|
| 1 | 78950B | RETURN PAN, FRONT | 1 |
| 2 | 73342 | RETURN PAN BRACKET ANGLE LH | 1 |
| 3 | 78977 | RETURN PAN BRACKET ANGLE RH | 1 |
| 4 | 73353 | HOLDOWN, FRONT | 1 |
| 5 | 79101 | SHIELD, LOWER FRONT | 1 |
| 6 | YBCR12065 | BOLT CARRIAGE, 3/8-16 X 3/4 G5 | 5 |
| 7 | YBFB08075 | BOLT FLANGE, 1/4 X 3/4 G5 | 3 |
| 8 | YBFB12003 | BOLT FLANGE, 3/8 X 1 G5 | 4 |
| 9 | YBFB08100 | BOLT FLANGE, 1/4 X 1 G5 | 2 |
| 10 | YNFG08010 | NUT FLANGE, 1/4 | 5 |
| 11 | YNFG12006 | NUT FLANGE, 3/8 | 9 |
| | | | |



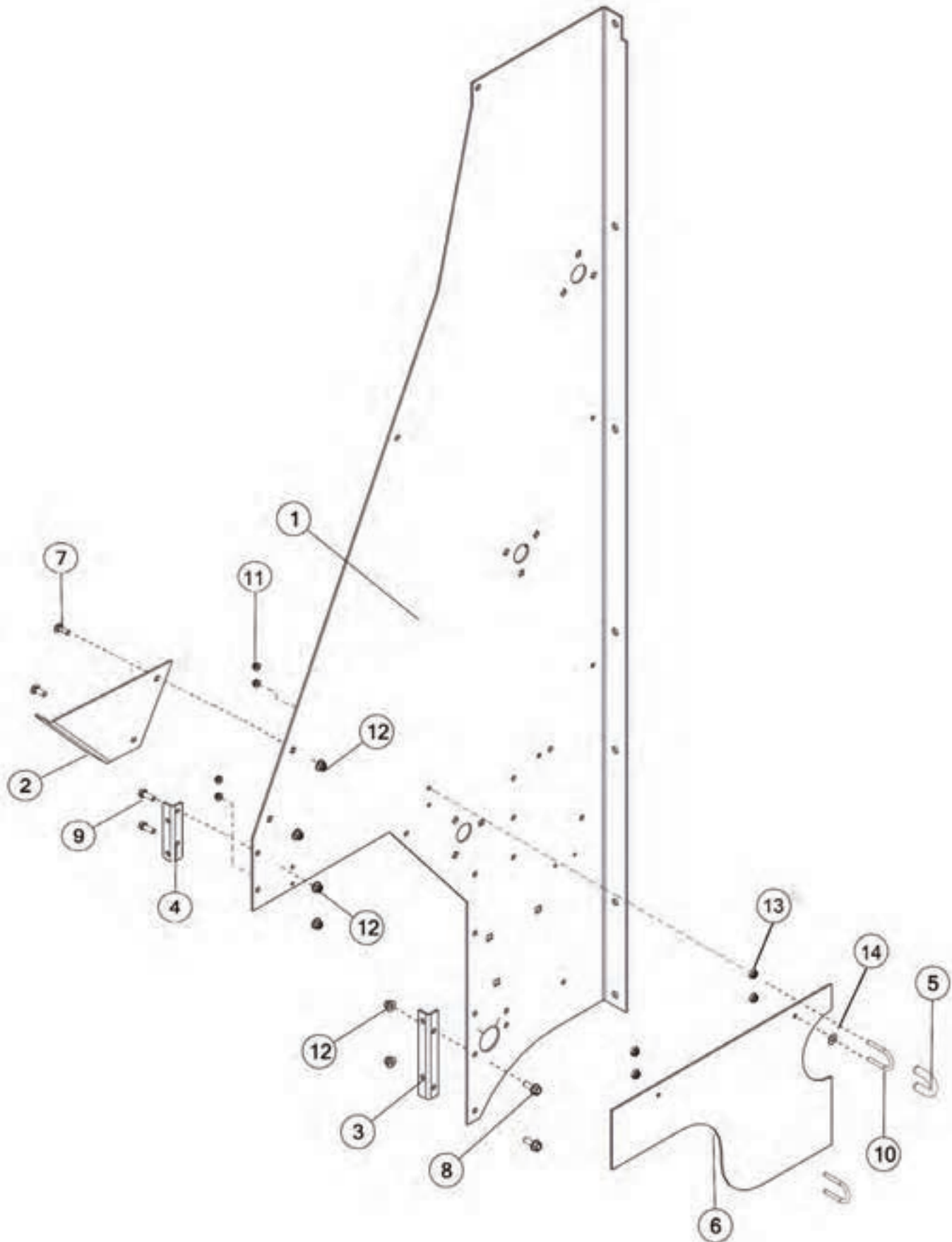




FIGURE 6 BEATER PANEL & COMPONENTS LH

| REF # | PART # | DESCRIPTION | QTY |
|-------|-----------|-----------------------------|-----|
| 1 | 86543B | PANEL, SIDE LH | 1 |
| 2 | 80620 | EMERGENCY STOP BRACKET LH | 1 |
| 3 | 73342 | RETURN PAN ANGLE BRACKET LH | 1 |
| 4 | 73343 | ANGLE BRACKET, CORNER LH | 1 |
| 5 | S1 | SPRING | 1 |
| 6 | 79107 | CROSS APRON SHIELD | 1 |
| 7 | YBCR12010 | BOLT CARRIAGE, 3/8 X 1 G5 | 2 |
| 8 | YBFB12003 | BOLT FLANGE, 3/8 X 1 G5 | 2 |
| 9 | YBHH12010 | BOLT HEX, 3/8 X 1 G5 | 2 |
| 10 | YBPU08005 | BOLT U, 1/4 X 3/4 | 2 |
| 11 | YNFG08010 | NUT FLANGE, 1/4 | 4 |
| 12 | YNFG12006 | NUT FLANGE, 3/8 | 6 |
| 13 | YNHX08005 | NUT HEX, 1/4 | 4 |
| 14 | YNFL10005 | WASHER FLAT, 5/16 | 1 |
| | | | |
| | | | |
| | | | |
| | | | |
| | | | |
| | | | |
| | | | |
| | | | |
| | | | |
| | | | |
| | | | |
| | | | |
| | | | |
| | | | |
| | | | |
| | | | |
| | | | |
| | | | |



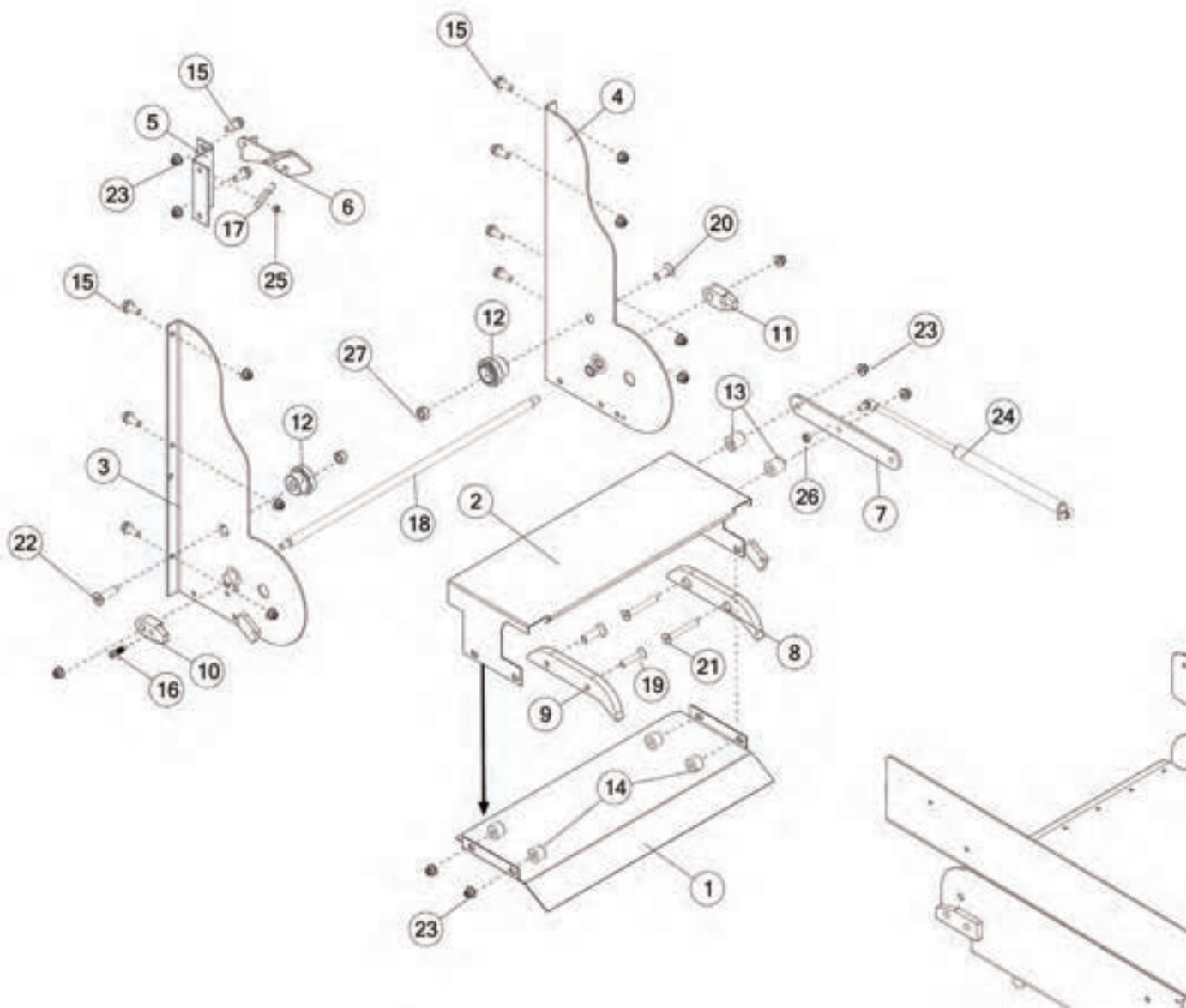




FIGURE 7 EXTENSION & COMPONENTS

| REF # | PART # | DESCRIPTION | QTY |
|-------|-----------|---|-----|
| 1 | 72774 | STEEL PANEL, RETURN PAN, BOTTOM | 1 |
| 2 | 72775 | PAN EXTENSION | 1 |
| 3 | 73011 | PANEL EXTENSION, FRONT | 1 |
| 4 | 72788 | PANEL EXTENSION, BACK | 1 |
| 5 | 72787 | LOCK BRACKET EXTENSION | 1 |
| 6 | 76543 | LONG EXT LATCH | 1 |
| 7 | 72982 | GAS STRUT MOUNT PLATE, 10-3/4 X 1-1/2 X 1/4 | 1 |
| 8 | 75739 | CHAIN SLIDE POLY, 5/8 | 1 |
| 9 | 75748 | CHAIN SLIDE POLY, 5/8 | 1 |
| 10 | 76647 | STOP CAM PLATE, 2-3/4 X 1-1/4 X 3/4 | 1 |
| 11 | 76720 | STOP CAM PLATE, 2-5/8 X 1-1/4 X 3/4 | 1 |
| 12 | 80574 | CHAIN ROLLER HOLDOWN | 2 |
| 13 | 72984 | SPACER, 1 | 2 |
| 14 | 75746 | SPACER | 2 |
| 15 | YBFB12003 | BOLT FLANGE, 3/8 X 1 G5 | 4 |
| 16 | 76723 | RETRACT SPRING PIN, 0.38-16 | 1 |
| 17 | GM208 | LATCH SPRING | 1 |
| 18 | 76680 | EXTENSION STOP | 1 |
| 19 | YSFS12017 | BOLT FLAT SOCKET, 3/8 X 2 | 4 |
| 20 | YSFS16015 | BOLT FLAT SOCKET, 1/2 X 1-1/4 | 1 |
| 21 | YSFS12350 | BOLT FLAT SOCKET, 3/8 X 3 | 2 |
| 22 | YSFS16020 | BOLT FLAT SOCKET, 1/2 X 1-3/4 | 1 |
| 23 | YNFG12006 | NUT FLANGE, 3/8 | 16 |
| 24 | TS244 | GAS STRUT | 1 |
| 25 | YNHX08006 | NUT HEX, 1/4 G5 | 1 |
| 26 | YNRL10005 | NUT HEX, 5/16 | 1 |
| 27 | YNRL16005 | NUT HEX, 1/2 | 4 |
| | | | |
| | | | |
| | | | |
| | | | |
| | | | |
| | | | |
| | | | |
| | | | |
| | | | |
| | | | |
| | | | |





FIGURE 7A

EXTENSION & COMPONENTS

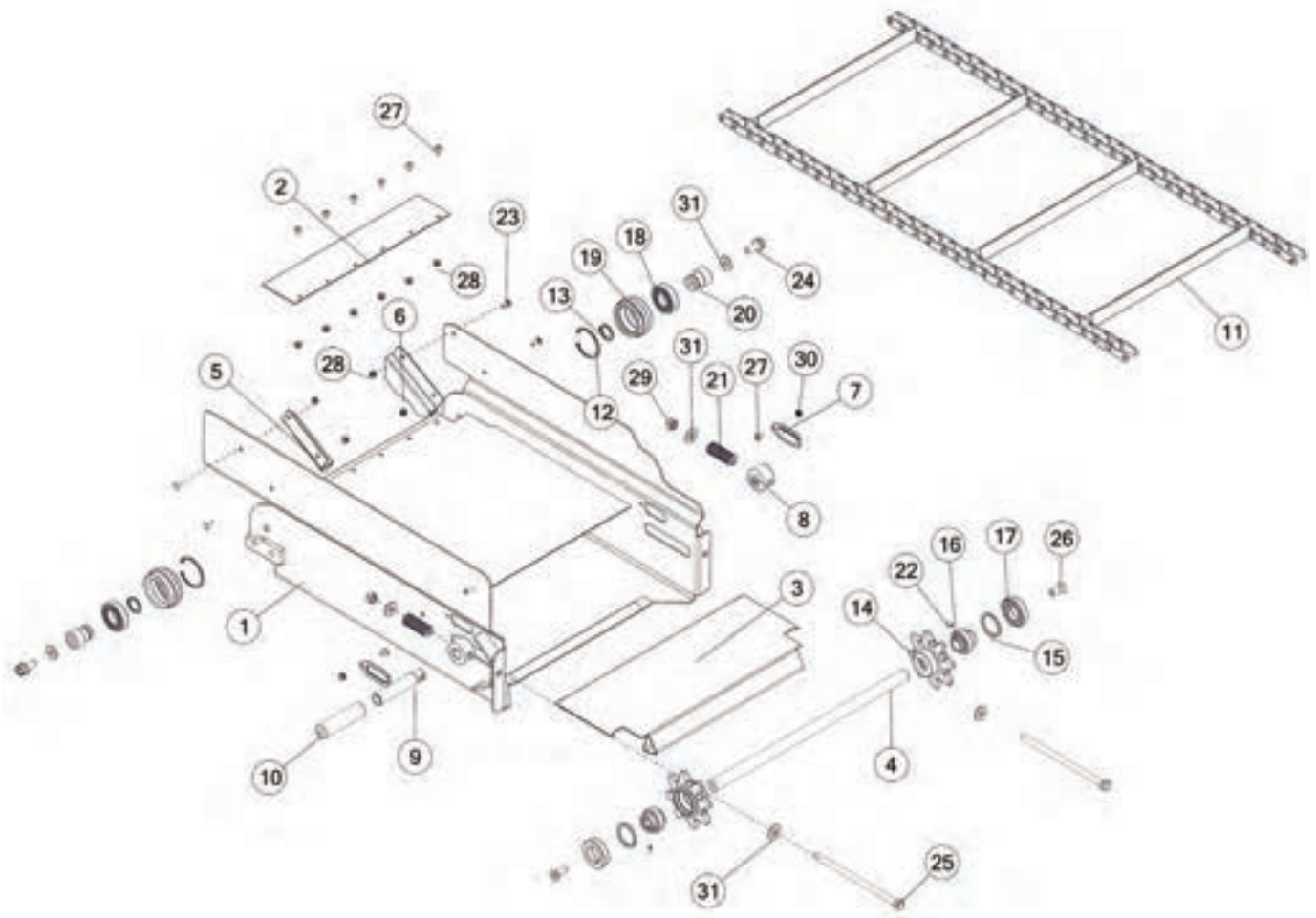




FIGURE 7A

EXTENSION & COMPONENTS

| REF # | PART # | DESCRIPTION | QTY |
|-------|-----------|--|-----|
| 1 | 72794B | SHELL EXTENSION | 1 |
| 2 | 76568 | POLY PANEL | 1 |
| 3 | 72974 | CROSS APRON PAN EXTENTION | 1 |
| 4 | 72957 | APRON IDLER SHAFT | 1 |
| 5 | 77965 | EXTENSION SHIELD LH | 1 |
| 6 | 77966 | EXTENSION SHIELD RH | 1 |
| 7 | SD186 | COVER | 1 |
| 8 | SD313 | TIGHTENER BLOCK | 1 |
| 9 | SDHPI01 | MANUAL LIFT HANDLE | 1 |
| 10 | X41 | HANDLE GRIP | 1 |
| 11 | SD306 | CROSS CONVEYOR CHAIN | 1 |
| 12 | 73378 | SNAP RING, INTERNAL STANDARD, 2-1/2 | 1 |
| 13 | F73 | SNAP RING, 1-1/4 | 1 |
| 14 | SD180 | SPROCKET, 8T | 2 |
| 15 | SD262 | SNAP RING IN-206 | 2 |
| 16 | K90 | BEARING | 2 |
| 17 | SD312 | BEARING SHIELD | 2 |
| 18 | 72810 | BALL BEARING, 1-1/4 | 2 |
| 19 | 72781 | POLY CHAIN ROLLER | 2 |
| 20 | 87449 | ROUND SHAFT | 2 |
| 21 | 76537 | BRAKE SPRING | 1 |
| 22 | YSKP08011 | SCREW SET, SOCKET, KNURLED CUP PT, 1/4 X 1/2 | 2 |
| 23 | YBCR08035 | BOLT CARRIAGE, SN, 1/4 X 3/4 | 2 |
| 24 | YBFB16125 | BOLT FLANGE, 1/2 X 1-1/4 G5 | 2 |
| 25 | YBHH16191 | BOLT HEX, 1/2 X 9-1/2 G5 | 2 |
| 26 | YSFS16015 | BOLT FLAT, SOCKET, 1/2 X 1-1/4 | 2 |
| 27 | YSTP08005 | SCREW TRUSS HEAD, PHILLIPS MACH, 1/4 X 1/2 | 7 |
| 28 | YNFG08010 | NUT FLANGE, 1/4 | 10 |
| 29 | YNRL16005 | NUT HEX, 1/2 | 2 |
| 30 | YNSF08005 | NUT FLANGE, 1/4 G2 | 2 |
| 31 | YWFL16005 | WASHER FLAT, 1/2 | 4 |
| | | | |
| | | | |
| | | | |
| | | | |
| | | | |





FIGURE 8

EXTENSION CYLINDER & COMPONENTS

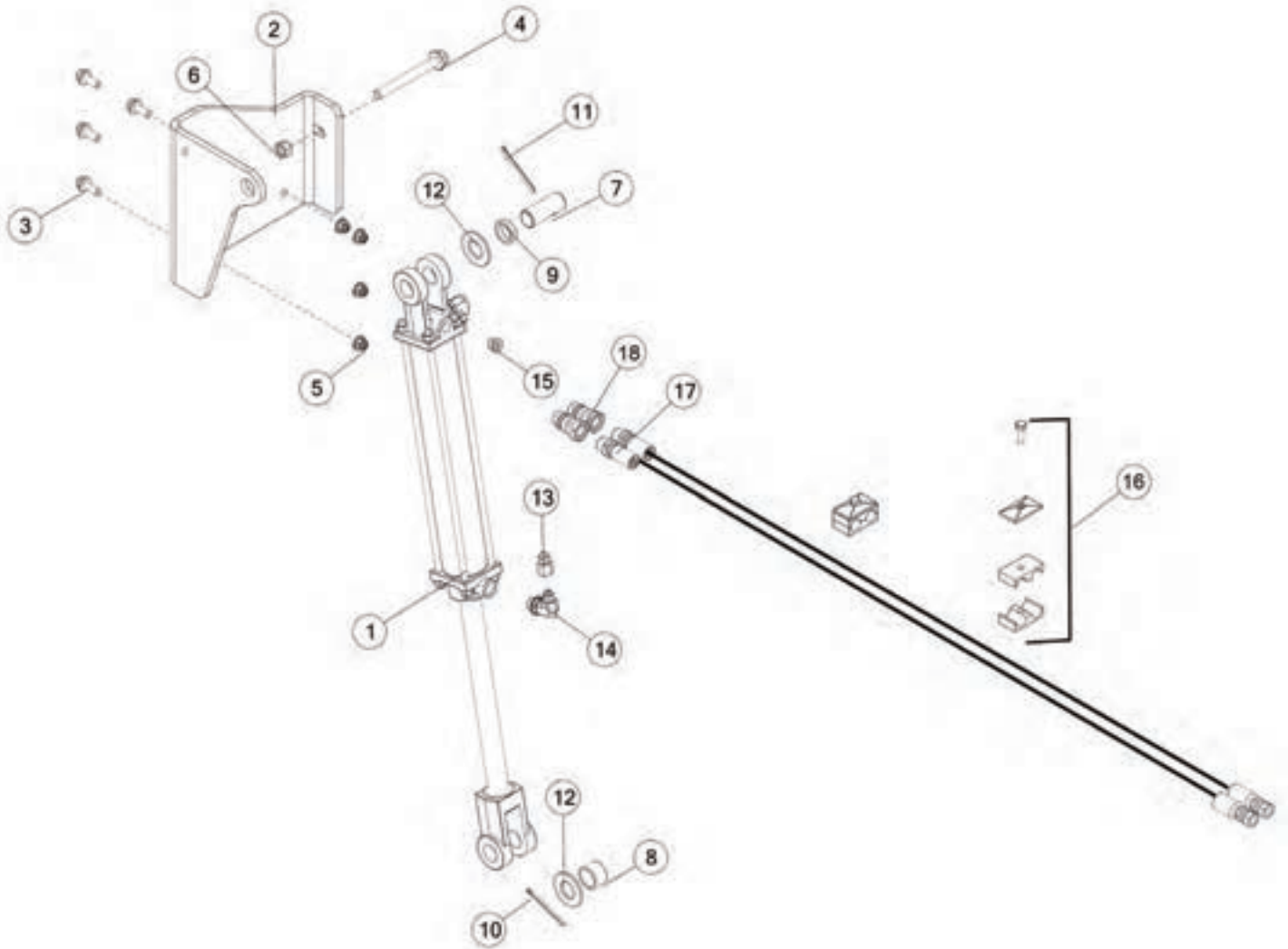




FIGURE 8

EXTENSION CYLINDER & COMPONENTS

| REF # | PART # | DESCRIPTION | QTY |
|-------|-----------|-----------------------------------|-----|
| 1 | 56450 | CYLINDER (3000 PSI) 2 X 12 | 1 |
| * | 56187 | SEAL KIT | 1 |
| 2 | 80618 | HYDRAULIC BRACKET MOUNT | 1 |
| 3 | YBFB12003 | BOLT FLANGE, 3/8 X 1 G5 | 4 |
| 4 | YBFB16450 | BOLT FLANGE, 1/2 X 4-1/2 G5 | 1 |
| 5 | YNFG12006 | NUT FLANGE, 3/8 | 4 |
| 6 | YNRL16005 | NUT HEX, 1/2 | 1 |
| 7 | 56N141 | CYLINDER PIN | 1 |
| 8 | 69703 | SPACER | 1 |
| 9 | 69704 | SPACER | 1 |
| 10 | YPCT05035 | COTTER PIN, 5/32 X 2-1/2 | 1 |
| 11 | YPCT06022 | COTTER PIN, 3/16 X 2-1/2 | 1 |
| 12 | YWFL32005 | WASHER FLAT, 1 | 2 |
| 13 | 58144 | FITTING 6 XHX7-S .062 ORIFICE | 1 |
| 14 | CHM206 | FITTING 6 90 DEG TO 3/4-16 ORB | 1 |
| 15 | SD270 | HOLLOW HEX PLUG (W/VALVE BODY) | 1 |
| 16 | CHM270 | HOSE CLAMP (DOUBLE) COMPLETE, 3/8 | 2 |
| 17 | 80624 | EXTENSION HOSE | 2 |
| 18 | 67148 | QUICK COUPLER, 8ORB | 2 |
| | | | |
| | | | |
| | | | |
| | | | |
| | | | |
| | | | |
| | | | |
| | | | |
| | | | |
| | | | |
| | | | |
| | | | |
| | | | |
| | | | |
| | | | |
| | | | |
| | | | |
| | | | |
| | | | |
| | | | |



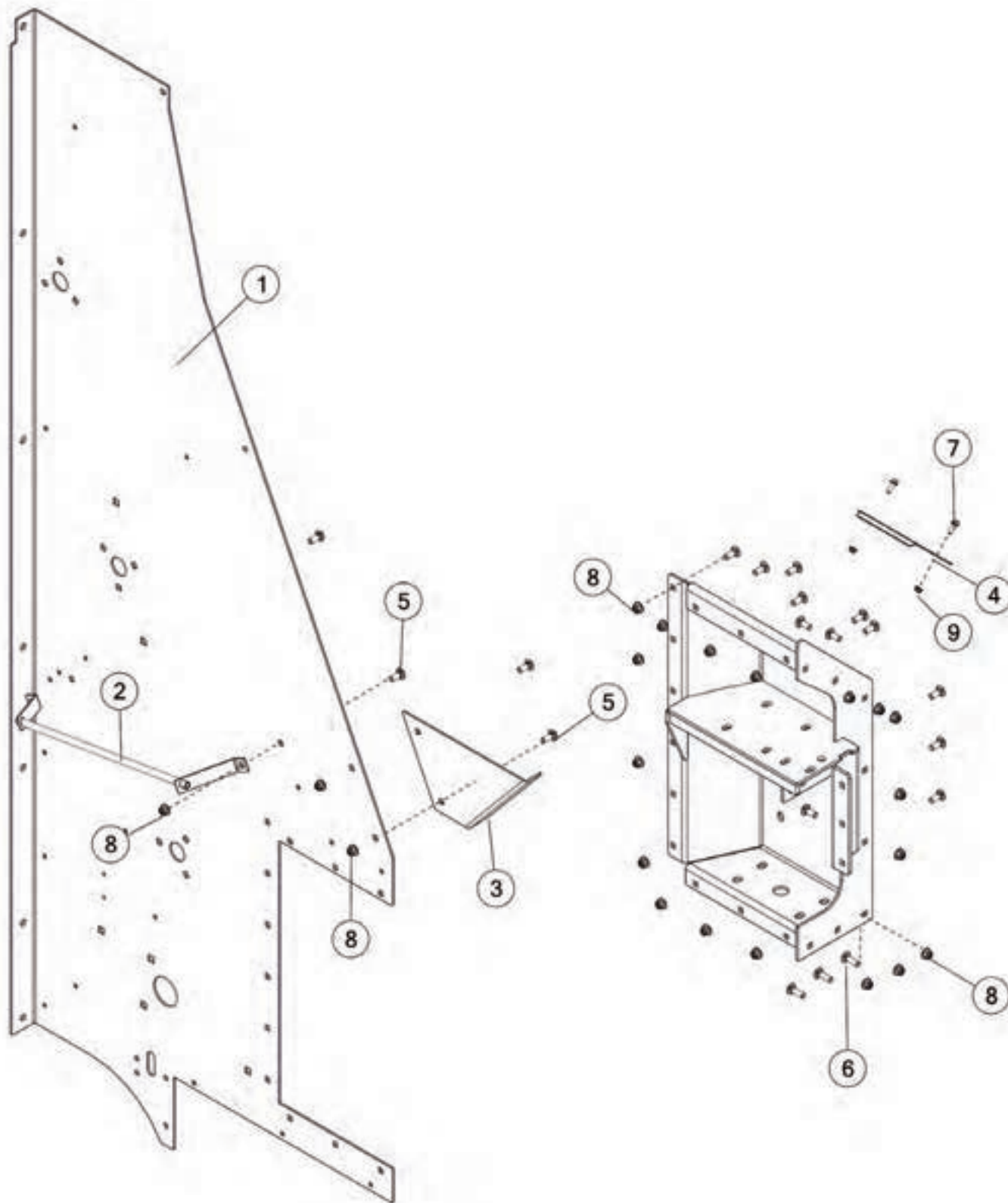




FIGURE 9

HOUSING PANEL & COMPONENTS RH

| REF # | PART # | DESCRIPTION | QTY |
|--------------|---------------|-------------------------------|------------|
| 1 | 86553B | PANEL, SIDE RH W/DECALS | 1 |
| 2 | 80556 | SAFETY CABLE GUIDE | 1 |
| 3 | 80619 | EMERGENCY STOP BRACKET RH | 1 |
| 4 | 78960 | COVER | 1 |
| 5 | YBCR12010 | BOLT CARRIAGE, 3/8 X 1 G5 | 16 |
| 6 | YBCR12020 | BOLT CARRIAGE, 3/8 X 1-1/4 G5 | 3 |
| 7 | YBFB08075 | BOLT FLANGE, 1/4 X 3/4 G5 | 2 |
| 8 | YNFG12006 | NUT FLANGE, 3/8 | 3 |
| 9 | YNFG08010 | NUT FLANGE, 1/4 | 2 |
| | | | |
| | | | |
| | | | |
| | | | |
| | | | |
| | | | |
| | | | |
| | | | |
| | | | |
| | | | |
| | | | |
| | | | |
| | | | |
| | | | |
| | | | |
| | | | |
| | | | |
| | | | |
| | | | |
| | | | |
| | | | |
| | | | |
| | | | |



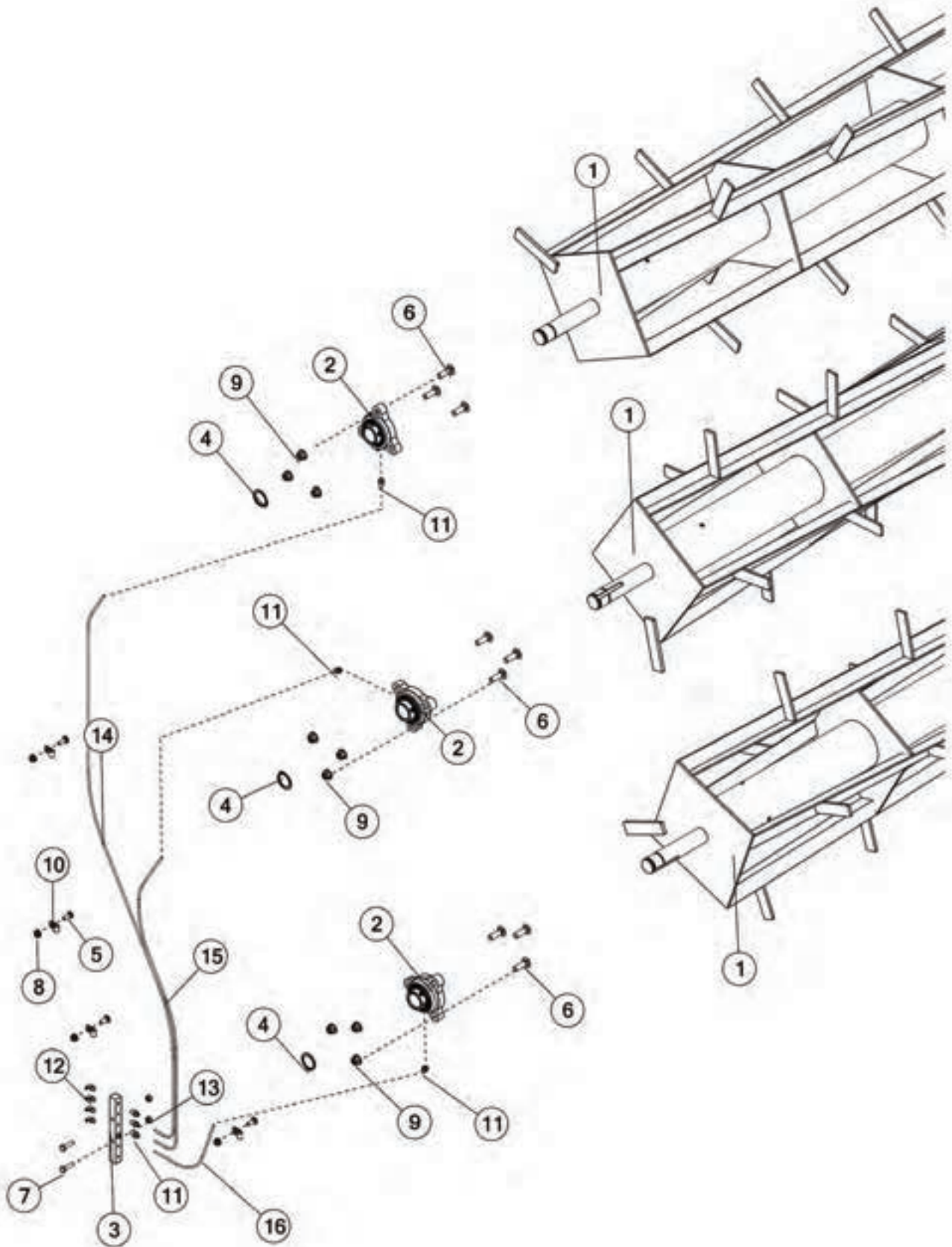




FIGURE 10

BEATER COMPONENTS RH

| REF # | PART # | DESCRIPTION | QTY |
|-------|-----------|-------------------------------|-----|
| 1 | 76201 | BEATER | 3 |
| 2 | 80662 | BEARING 1-1/4 | 3 |
| 3 | 72769 | GREASE MANIFOLD | 1 |
| 4 | F73 | SNAP RING, 1-1/4 | 3 |
| 5 | YBCR08040 | BOLT CARRIAGE, 1/4 X 3/4 G5 | 3 |
| 6 | YBCR12020 | BOLT CARRIAGE, 3/8 X 1-1/4 G5 | 9 |
| 7 | YBHH08010 | HEX BOLT, 1/4 X 1 G5 | 2 |
| 8 | YNGF08010 | NUT FLANGE, 1/4 | 4 |
| 9 | YNFG12006 | NUT FLANGE, 3/8 | 9 |
| 10 | 83052 | CUSHION WIRE CLAMP, 5/16 | 4 |
| 11 | 54572 | GREASE LINE FITTING, STRAIGHT | 6 |
| 12 | RG51 | ZERK, 90 DEGREE, 1/4-28 | 4 |
| 13 | YNRL08005 | NUT HEX, 1/4 | 2 |
| 14 | 76353 | GREASE LINE | 1 |
| 15 | 78978 | GREASE LINE | 1 |
| 16 | 78979 | GREASE LINE | 1 |
| | | | |
| | | | |
| | | | |
| | | | |
| | | | |
| | | | |
| | | | |
| | | | |
| | | | |
| | | | |
| | | | |
| | | | |
| | | | |
| | | | |
| | | | |
| | | | |
| | | | |
| | | | |
| | | | |



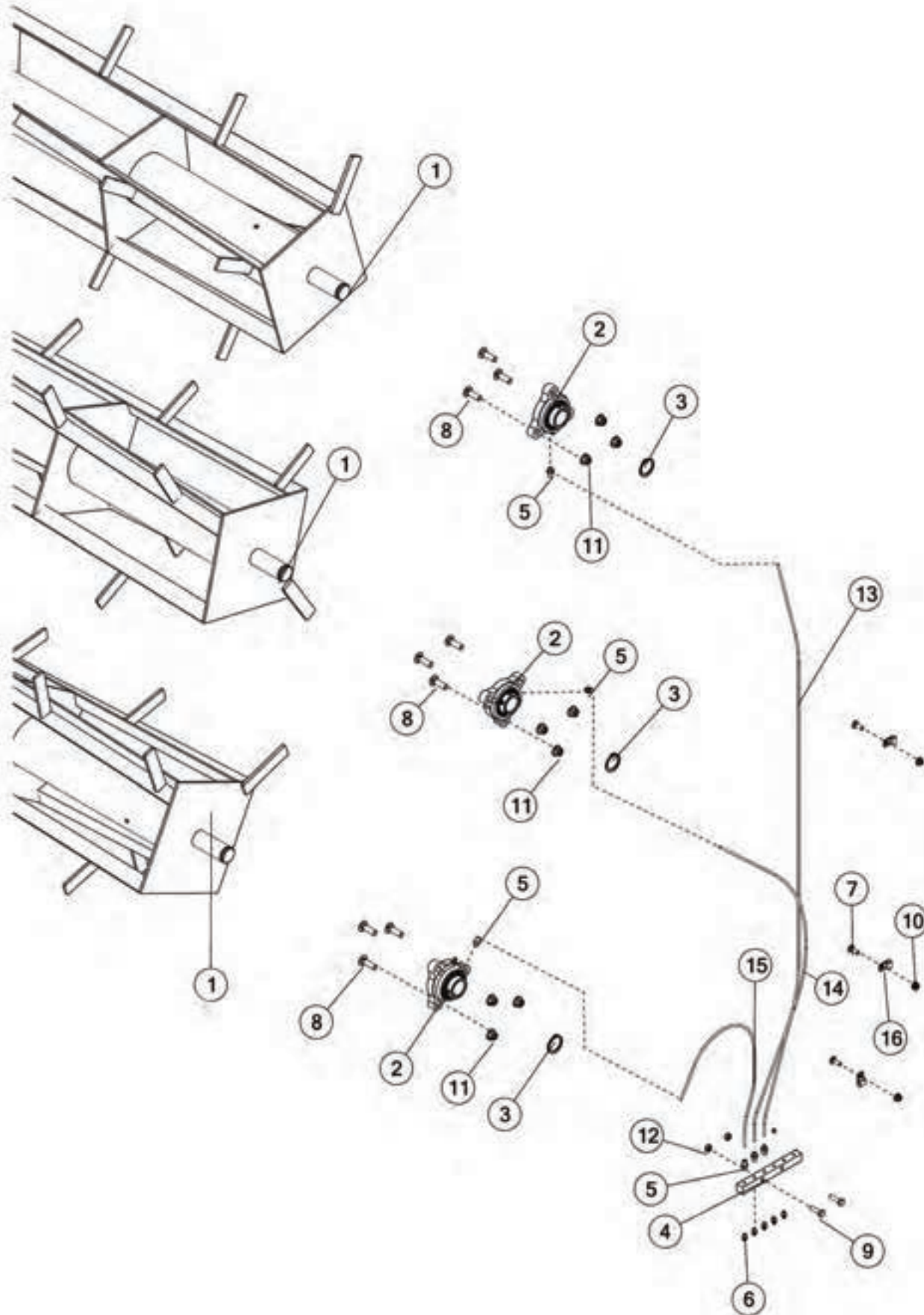




FIGURE 11

BEATER COMPONENTS LH

| REF # | PART # | DESCRIPTION | QTY |
|-------|-----------|-------------------------------|-----|
| 1 | 76201 | BEATER | 3 |
| 2 | 80662 | BEARING 1-1/4 | 3 |
| 3 | F73 | SNAP RING, 1-1/4 | 3 |
| 4 | 72769 | GREASE MANIFOLD | 1 |
| 5 | 54572 | GREASE LINE FITTING, STRAIGHT | 3 |
| 6 | RG51 | ZERK, 90 DEGREE, 1/4-28 | 5 |
| 7 | YBCR08040 | BOLT CARRIAGE, 1/4 X 3/4 G5 | 3 |
| 8 | YBCR12020 | BOLT CARRIAGE, 3/8 X 1-1/4 G5 | 9 |
| 9 | YBHH08010 | BOLT HEX, 1/4 X 1 G5 | 2 |
| 10 | YNFG08010 | NUT FLANGE, 1/4 | 3 |
| 11 | YNFG12006 | NUT FLANGE, 3/8 | 9 |
| 12 | YNRL08005 | NUT HEX, 1/4 | 2 |
| 13 | 78980 | GREASE LINE | 1 |
| 14 | 78981 | GREASE LINE | 1 |
| 15 | 78982 | GREASE LINE | 1 |
| 16 | 83052 | CUSHION WIRE CLAMP, 5/16 | 3 |
| | | | |
| | | | |
| | | | |
| | | | |
| | | | |
| | | | |
| | | | |
| | | | |
| | | | |
| | | | |
| | | | |
| | | | |
| | | | |
| | | | |
| | | | |
| | | | |
| | | | |
| | | | |
| | | | |
| | | | |



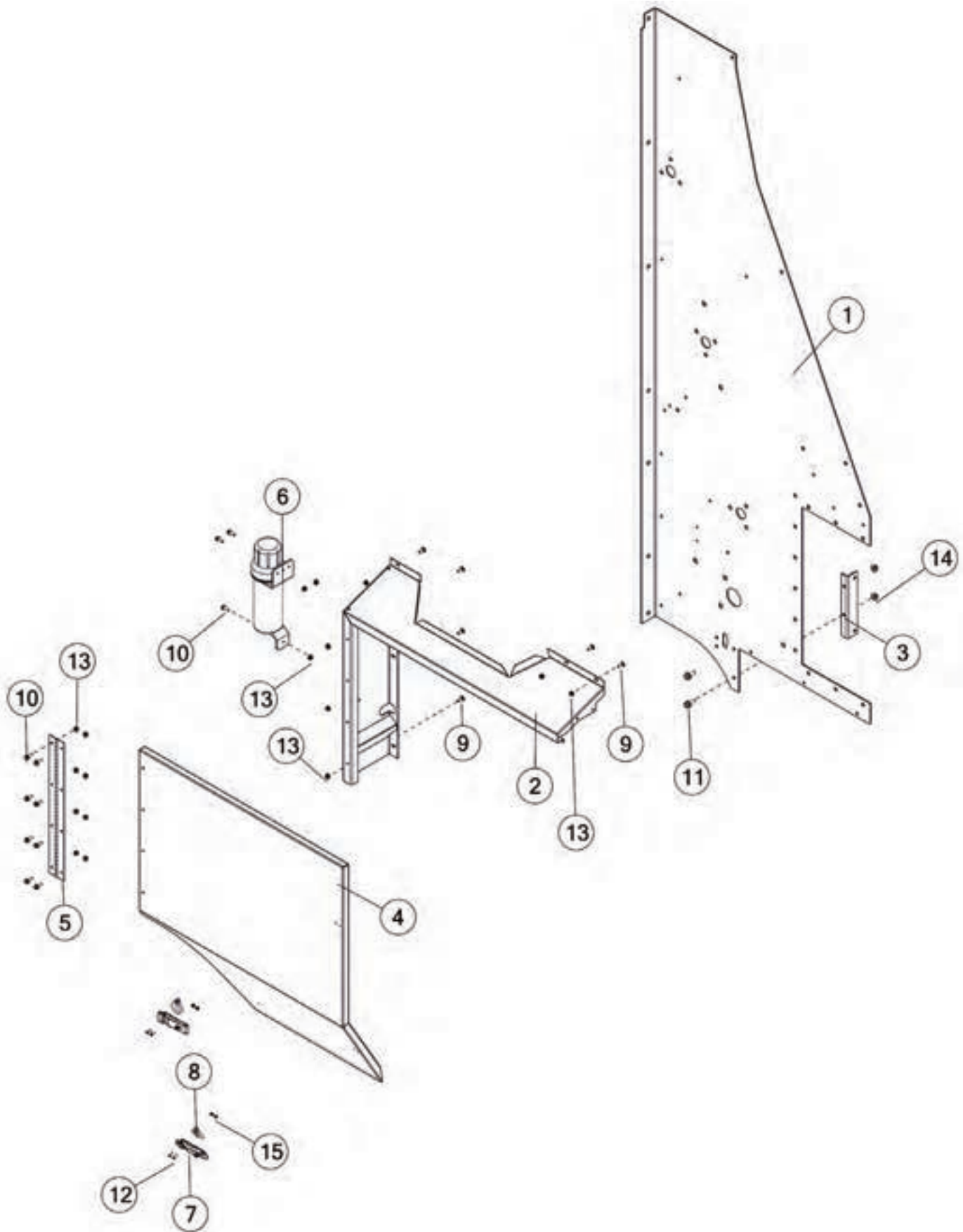




FIGURE 12
SIDE DOOR & COMPONENTS RH

| REF # | PART # | DESCRIPTION | QTY |
|-------|-----------|----------------------------------|-----|
| 1 | 86553B | PANEL, SIDE RH W/DECALS | 1 |
| 2 | 73982 | LOWER SIDE SHIELD TOP | 1 |
| 3 | 78977 | RETURN PAN ANGLE BRACKET RH | 1 |
| 4 | 81512 | GEARBOX SIDE SHIELD PANEL | 1 |
| 5 | 74267 | PIANO HINGE | 1 |
| 6 | S522 | MANUAL HOLDER | 1 |
| 7 | 80180 | DRAW LATCH | 2 |
| 8 | YPLY08011 | LYNCH PIN, 1/4 X 1-9/16 | 2 |
| 9 | YBCR08040 | BOLT CARRAIGE, 1/4 X 3/4 G5 | 6 |
| 10 | YBFB08075 | BOLT FLANGE, 1/4 X 3/4 G5 | 11 |
| 11 | YBFB12003 | BOLT FLANGE, 3/8 X 1 G5 | 2 |
| 12 | YSPP62006 | SCREW PAN HEAD, #8-32 X 1/2 | 4 |
| 13 | YNFG08010 | NUT FLANGE, 1/4 | 16 |
| 14 | YNFG12006 | NUT FLANGE, 3/8 | 2 |
| 15 | YNNY62005 | NUT HEX, NYLON INSERT LOCKNUT, 8 | 4 |
| | | | |
| | | | |
| | | | |
| | | | |
| | | | |
| | | | |
| | | | |
| | | | |
| | | | |
| | | | |
| | | | |
| | | | |
| | | | |
| | | | |
| | | | |
| | | | |
| | | | |
| | | | |
| | | | |
| | | | |
| | | | |
| | | | |





FIGURE 13 BEATER SHIELD & COMPONENTS

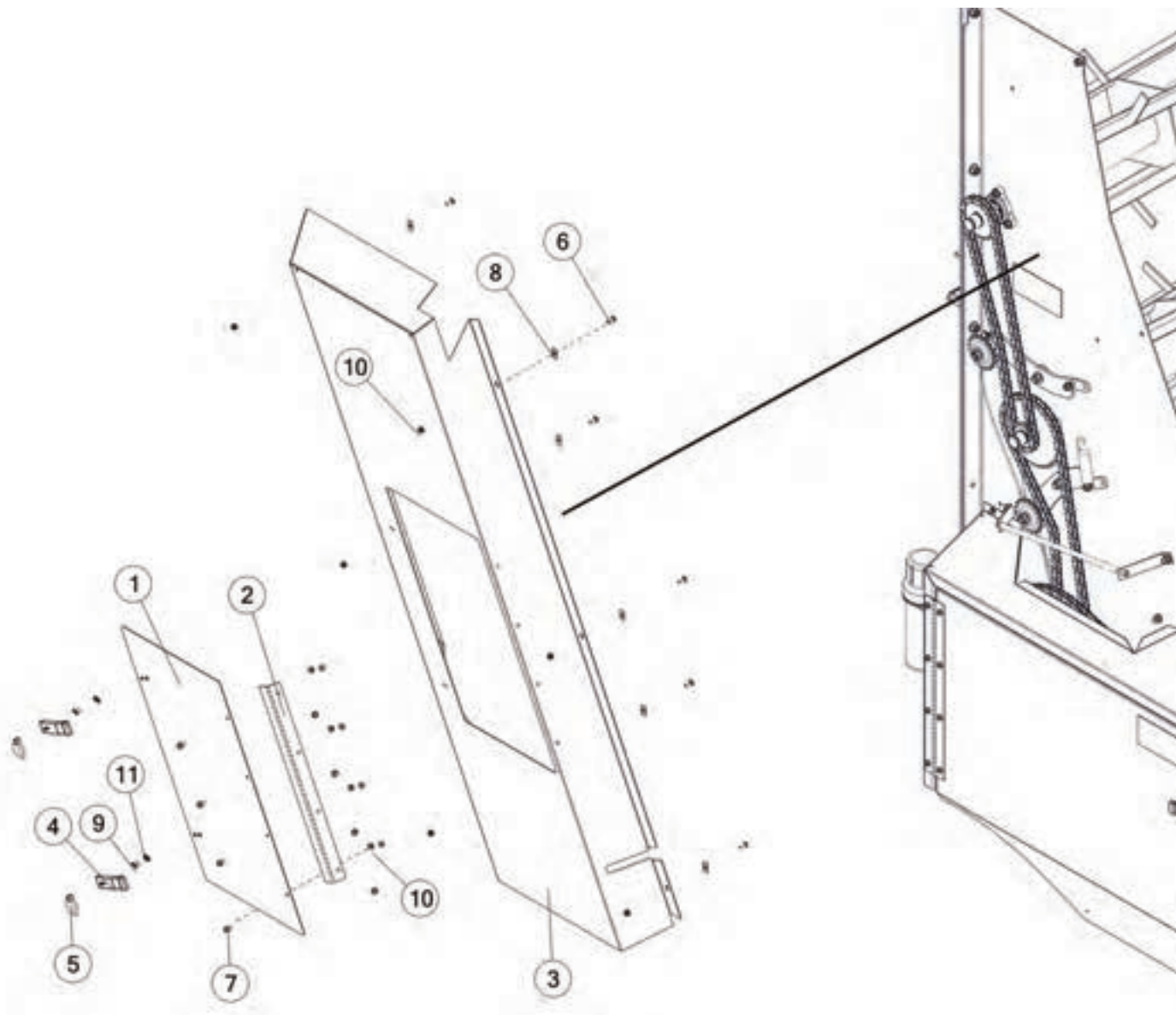




FIGURE 13
BEATER SHIELD & COMPONENTS

| REF # | PART # | DESCRIPTION | QTY |
|-------|-----------|-------------------------------|-----|
| 1 | 83246 | BEATER SHIELD DOOR | 1 |
| 2 | 74267 | PIANO HINGE | 1 |
| 3 | 83244 | BEATER CHAIN SHIELD | 1 |
| 4 | 80180 | DRAW LATCH | 2 |
| 5 | YPLY08011 | LYNCH PIN, 1/4 X 1-9/16 | 2 |
| 6 | YBCR08040 | BOLT CARRIAGE, 1/4 X 3/4 G5 | 6 |
| 7 | YBFB08005 | BOLT FLANGE, 1/4 X 1/2 G5 | 8 |
| 8 | YNP08005 | NUT SPRING, RCT FLAT, 1/4 X 1 | 6 |
| 9 | YSPP62006 | SCREW PAN HEAD, #8-32 X .5 | 4 |
| 10 | YNFG08010 | NUT FLANGE, 1/4 | 14 |
| 11 | YNNY62005 | NUT HEX, #8-32 G2 | 4 |
| | | | |
| | | | |
| | | | |
| | | | |
| | | | |
| | | | |
| | | | |
| | | | |
| | | | |
| | | | |
| | | | |
| | | | |
| | | | |
| | | | |
| | | | |
| | | | |
| | | | |
| | | | |
| | | | |
| | | | |
| | | | |
| | | | |
| | | | |
| | | | |



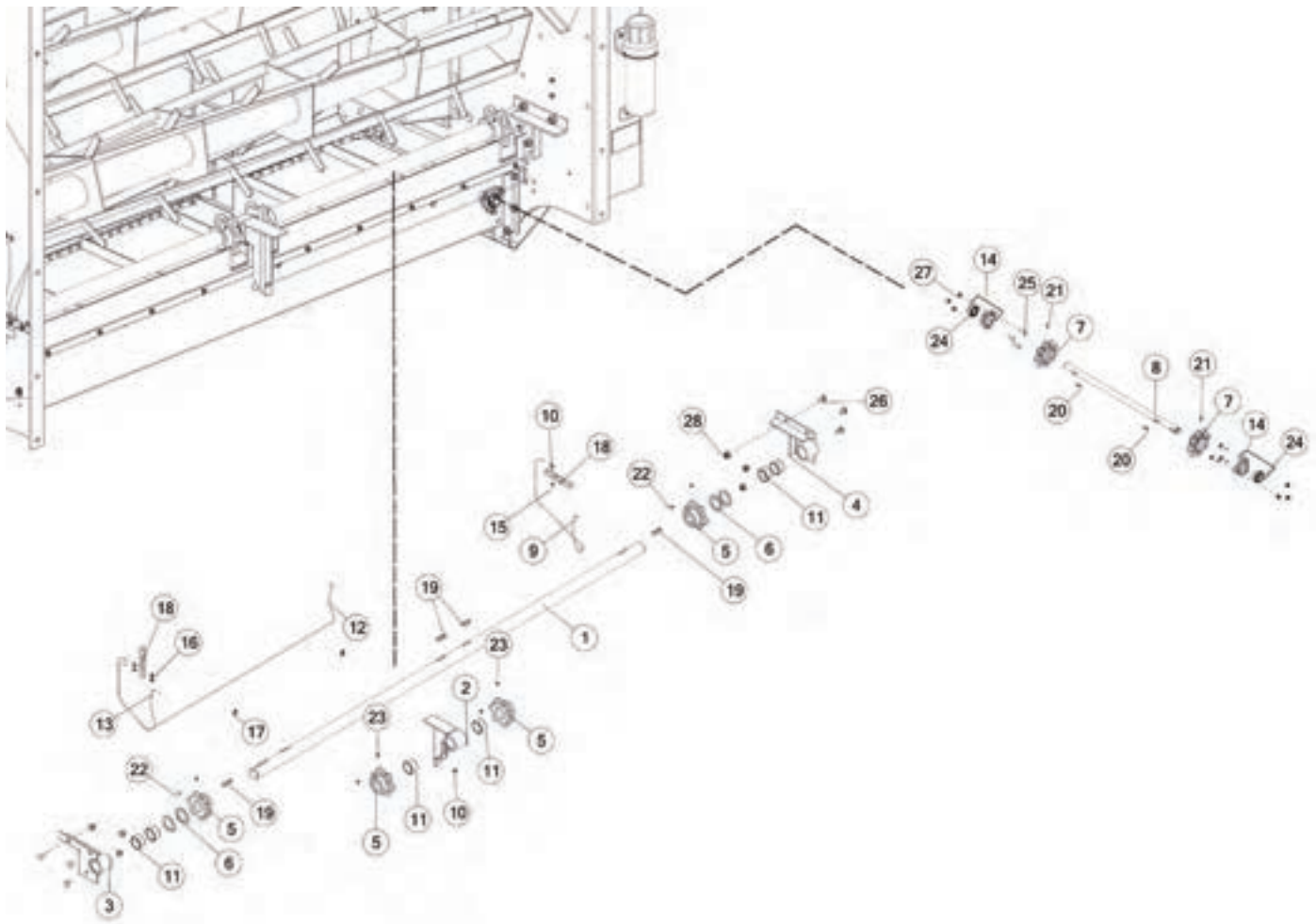




FIGURE 14

APRON DRIVE SHAFT & COMPONENTS

| REF # | PART # | DESCRIPTION | QTY |
|-------|-----------|---|-----|
| 1 | 72662 | APRON DRIVE SHAFT | 1 |
| 2 | 72658 | DRIVE SHAFT BRACKET, CENTER | 1 |
| 3 | 72653 | DRIVE SHAFT BRACKET, RH | 1 |
| 4 | 72666 | DRIVE SHAFT BRACKET, LH | 1 |
| 5 | 72669 | STEEL SPROCKET, 6T | 2 |
| 6 | 72680 | DRIVE SHAFT SHIM | 4 |
| 7 | L10R24 | CROSS APRON SPROCKET | 2 |
| 8 | 73307 | DRIVE SHAFT | 1 |
| 9 | 78985 | GREASE LINE | 11 |
| 10 | 8257 | GREASE LINE FITTING, 90 DEG ELBOW 5/32 X 1/4 | 3 |
| 11 | 72652 | BRONZE BUSHING | 4 |
| 12 | 78986 | GREASE LINE | 1 |
| 13 | 78985 | GREASE LINE | 1 |
| 14 | 80530 | PILLOW BLOCK BEARING, 1 | 2 |
| 15 | G89 | STRAIGHT ZERK, 1/4-28 X 90 | 1 |
| 16 | RG51 | GREASE ZERK, 90 DEGREE 1/4-28 | 2 |
| 17 | 83052 | CUSHION WIRE CLAMP, 5/16 | 2 |
| 18 | 72769 | GREASE MANIFOLD, 6, DIST | 2 |
| 19 | 56N174 | SQUARE KEY, 3/8 X 2 | 2 |
| 20 | 5B10 | WOODRUFF KEY, 1/4 X 1 | 2 |
| 21 | YSKP10010 | SCREW SET, SOCKET, KNURLED CUP PT, 5/16 X 3/8 | 2 |
| 22 | YSKP12010 | SCREW SET, SOCKET, KNURLED CUP PT, 3/8 X 1/2 | 4 |
| 23 | YSKP12025 | SCREW SET, SOCKET, KNURLED CUP PT, 3/8 X 3/8 | 4 |
| 24 | 23N221 | BEARING INSERT, 1 | 2 |
| 25 | YBCR10020 | BOLT CARRIAGE, 5/16 X 1-1/4 G5 | 6 |
| 26 | YBCR16005 | BOLT CARRIAGE, 1/2 X 1 G5 | 6 |
| 27 | YNFG10005 | NUT FLANGE, 5/16 | 6 |
| 28 | YNFG16003 | NUT FLANGE, 1/2 | 6 |
| | | | |
| | | | |
| | | | |
| | | | |
| | | | |
| | | | |
| | | | |
| | | | |
| | | | |
| | | | |
| | | | |
| | | | |



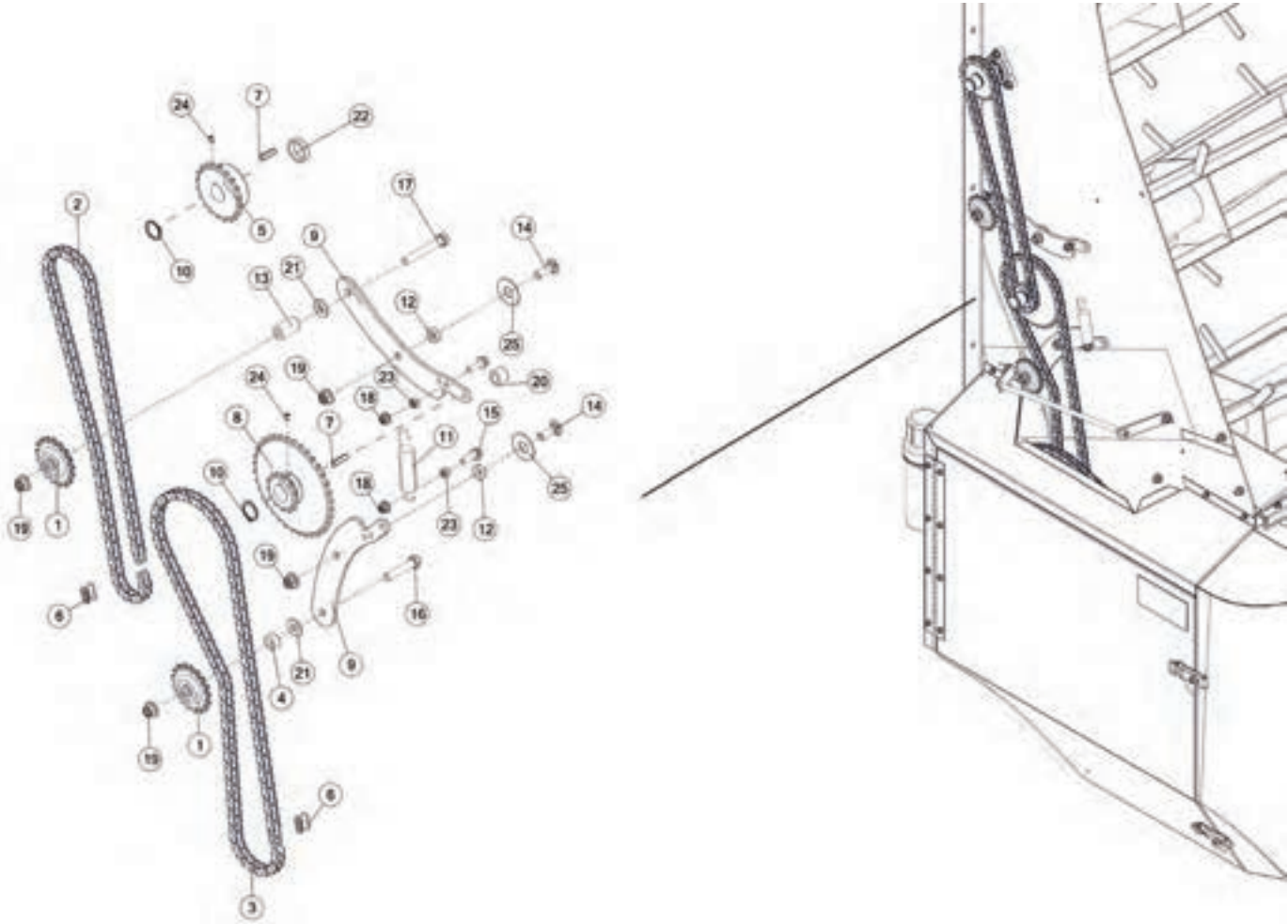




FIGURE 15 BEATER CHAINS & SPROCKETS

| REF # | PART # | DESCRIPTION | QTY |
|-------|-----------|---|-----|
| 1 | K101 | IDLER SPROCKET, 17T | 2 |
| 2 | X58 | ROLLER CHAIN #50 X 89 PITCHES | 1 |
| 3 | 73377 | ROLLER CHAIN #50 X 102 PITCHES | 1 |
| 4 | SD88 | TENSIONER SPACER | 1 |
| 5 | S26 | SPROCKET, 50B20 | 1 |
| 6 | X61 | CONNECTOR LINK #50 | 2 |
| 7 | G23A | SQUARE KEY, 5/16 X 1-1/4 | 2 |
| 8 | 72641 | SPROCKET 36T - 13T | 1 |
| 9 | SD77 | CHAIN TIGHTENER BAR | 2 |
| 10 | F73 | SNAP RING, 1-1/4 | 2 |
| 11 | R27 | SPRING | 1 |
| 12 | SD177 | SHELL SPACER | 2 |
| 13 | SD212 | TENSIONER SPACER | 1 |
| 14 | YBCR16010 | BOLT CARRIAGE, 1/2 X 1-1/2 G5 | 2 |
| 15 | YBFB12125 | BOLT FLANGE, 3/8 X 1-1/4 G5 | 2 |
| 16 | YBHH16080 | BOLT HEX, 1/2 X 2-1/2 G5 | 1 |
| 17 | YBHH16115 | BOLT HEX, 1/2 X 3-1/2 G5 | 1 |
| 18 | YNFG12006 | NUT FLANGE, 3/8 | 2 |
| 19 | YNFG16003 | NUT FLANGE, 1/2 | 4 |
| 20 | 76301 | SPACER | 1 |
| 21 | YWFL16005 | WASHER FLAT, 1/2 | 2 |
| 22 | 80610 | SPACER | 1 |
| 23 | YNHX12005 | NUT, HEX, 3/8-16 | 2 |
| 24 | YSKP10010 | SCREW SET, SOCKET, KNURLED CUP PT, 5/16 X 3/8 | 2 |
| 25 | YWFL24005 | WASHER FLAT, 3/4 | 2 |
| | | | |
| | | | |
| | | | |
| | | | |
| | | | |
| | | | |
| | | | |
| | | | |
| | | | |
| | | | |
| | | | |
| | | | |
| | | | |
| | | | |
| | | | |





FIGURE 16

MAIN APRON & CROSS CONVEYOR DRIVE

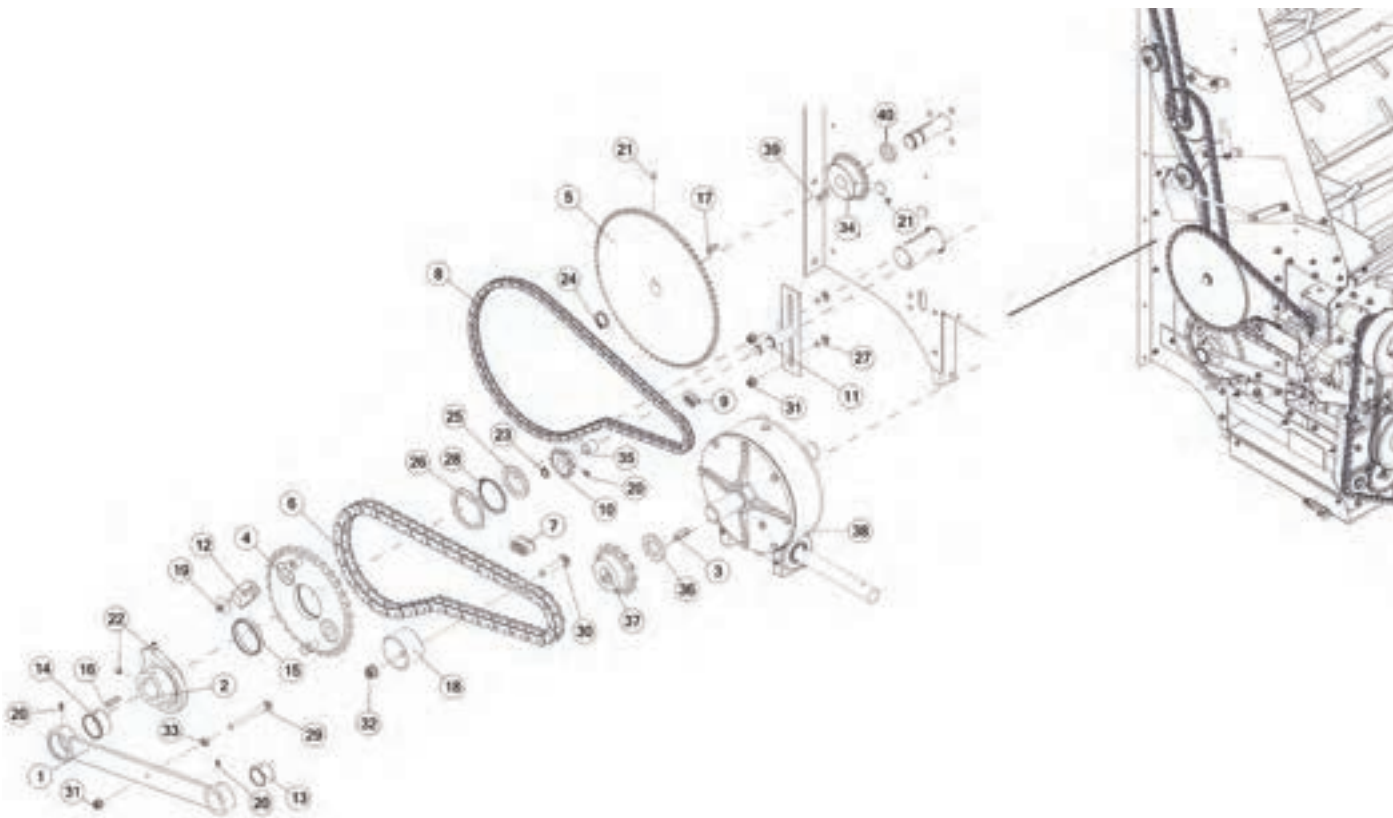




FIGURE 16

MAIN APRON & CROSS CONVEYOR DRIVE

| REF # | PART # | DESCRIPTION | QTY |
|-------|-----------|---|-----|
| 1 | 72715 | DRIVE SHAFT BRACE | 1 |
| 2 | 72694 | CLUTCH DOG | 1 |
| 3 | S436 | SQUARE KEY, 3/8 X 1-1/2 | 1 |
| 4 | 72703 | DRIVE SPROCKET, FRONT | 1 |
| 5 | 76168 | SPROCKET, 50B72, 1.25 ID | 1 |
| 6 | 73380 | ROLLER CHAIN, #80 X 60 PITCHES | 1 |
| 7 | F157 | CONNECTOR LINK #80 | 1 |
| 8 | 73377 | ROLLER CHAIN, #50 X 102 PITCHES | 1 |
| 9 | X61 | CONNECTOR LINK #50 | 1 |
| 10 | S34 | CAST SPROCKET 12T | 1 |
| 11 | 76302 | CHAIN TIGHTENER | 1 |
| 12 | PB191 | CLUTCH PIN | 1 |
| 13 | 58543 | BRONZE BUSHING 1.75 X 1.5 X 1.125 | 1 |
| 14 | 72652 | BRONZE BUSHING | 1 |
| 15 | 72705 | BRONZE BUSHING, 3 X 3.25 X 0.45 | 1 |
| 16 | S38 | SQUARE KEY, 3/8 X 2-3/8 | 1 |
| 17 | WM121 | SQUARE KEY, 5/16 X 1 | 1 |
| 18 | 73397 | POLY CHAIN TIGHTENER | 1 |
| 19 | YPLY06010 | LYNCH PIN, 3/16 X 1-9/16 | 1 |
| 20 | G89 | STRAIGHT ZERK 1/4-28 X 90 | 3 |
| 21 | YSKP10010 | SCREW SET, SOCKET, KNURLED CUP PT, 5/16 X 3/8 | 2 |
| 22 | YSKP12010 | SCREW SET, SOCKET, KNURLED CUP PT, 3/8 X 1/2 | 2 |
| 23 | 10R32 | SNAP RING, .7 | 1 |
| 24 | F73 | SNAP RING, 1-1/4 | 1 |
| 25 | 72680 | DRIVE SHAFT SHIM | 1 |
| 26 | 72712 | CLUTCH SPROCKET SHIM | 1 |
| 27 | YBCR12010 | BOLT CARRIAGE, 3/8 X 1 G5 | 1 |
| 28 | SD202 | SNAP RING, 3 | 1 |
| 29 | YBCR12105 | BOLT CARRIAGE, 3/8 X 4-1/2 G5 | 1 |
| 30 | YBCR16035 | BOLT CARRIAGE, 1/2 X 2-3/4 G5 | 1 |
| 31 | YNFG12006 | NUT FLANGE, 3/8 | 2 |
| 32 | YNFG16003 | NUT FLANGE, 1/2 | 1 |
| 33 | YNHX12005 | NUT HEX, 3/8 | 1 |
| 34 | S33 | CHAIN TIGHTENER BUSHING | 1 |
| 35 | S26 | SPROCKET, 50B20, 1.253 ID | 1 |
| 36 | S327 | SPACER WASHER | 1 |
| 37 | ST11 | WORM GEAR SHAFT SPROCKET | 1 |
| 38 | G118 | WORM GEARBOX | 1 |
| 39 | WM121 | SQUARE KEY, 5/16 X 1 | 1 |
| 40 | 76301 | SPACER | 1 |



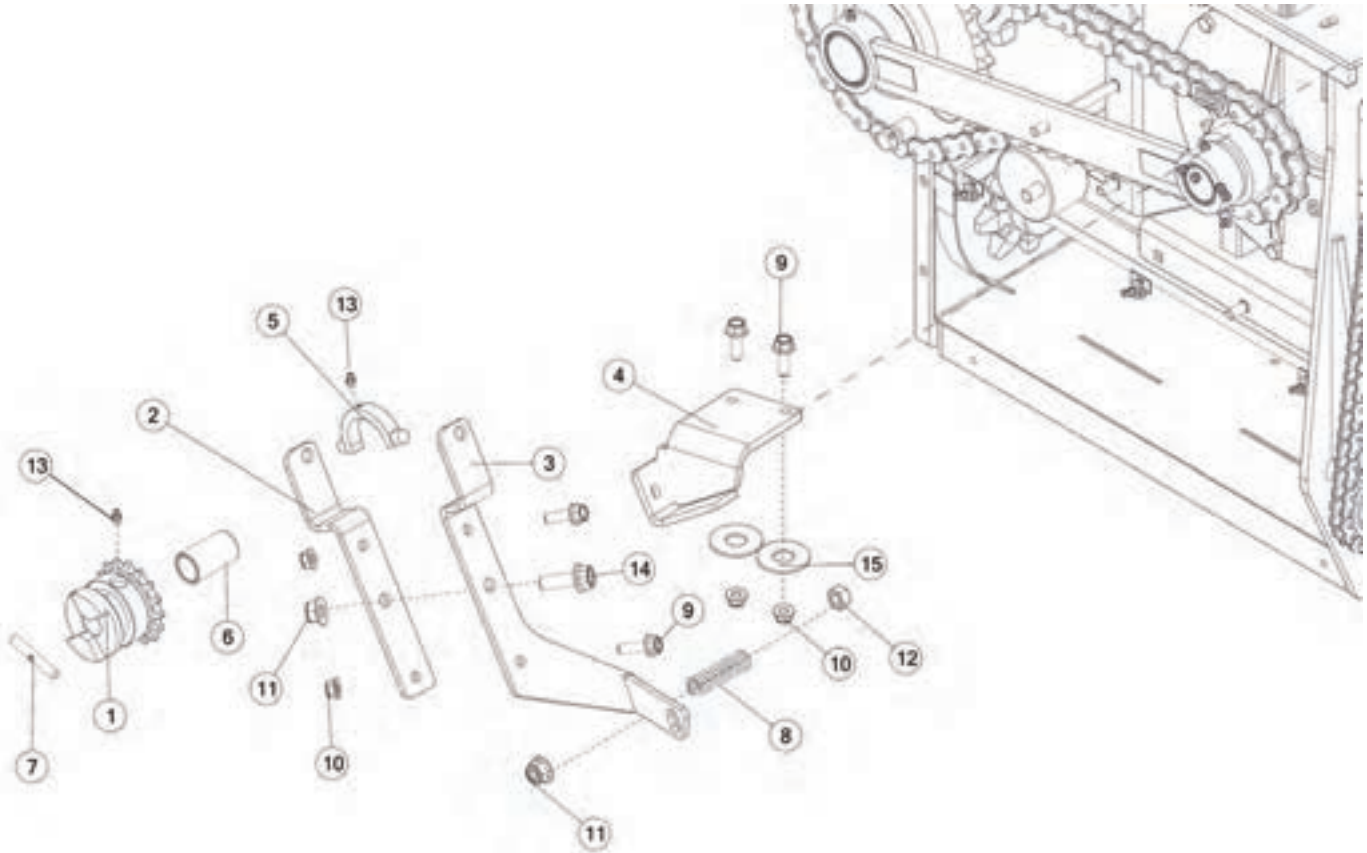
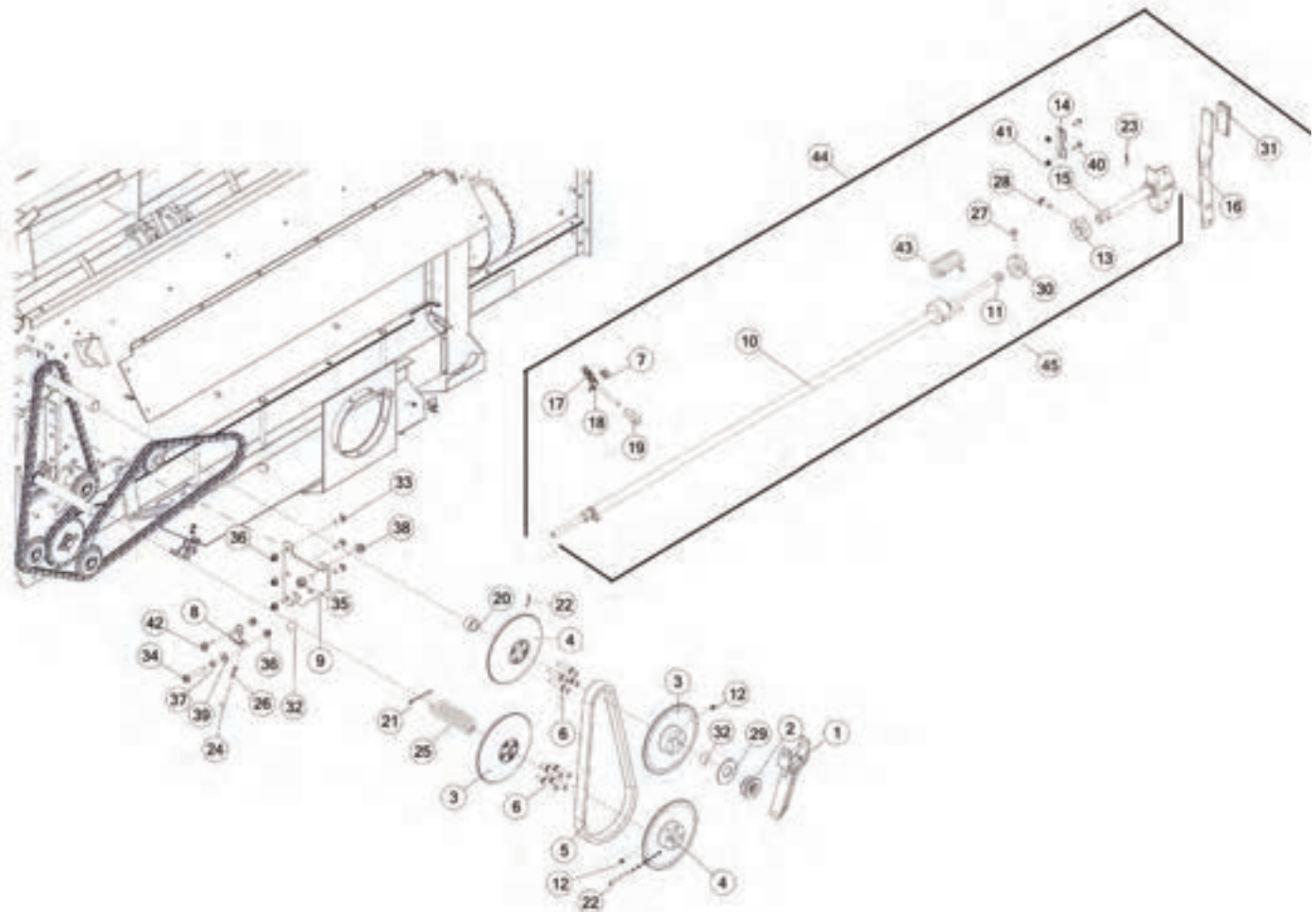




FIGURE 17 CLUTCH COMPONENTS

| REF # | PART # | DESCRIPTION | QTY |
|-------|-----------|-----------------------------|-----|
| 1 | S116 | BEATER CLUTCH | 1 |
| 2 | 76161 | CLUTCH ARM SHORT | 1 |
| 3 | 76159 | CLUTCH ARM LONG | 1 |
| 4 | 78127 | CLUTCH | 1 |
| 5 | 57264 | BRONZE YOKE | 1 |
| 6 | S117 | BRONZE BUSHING | 1 |
| 7 | S115 | BEATER CLUTCH PIN | 1 |
| 8 | S111 | SPRING | 1 |
| 9 | YBFB12125 | BOLT FLANGE, 3/8 X 1-1/4 G5 | 3 |
| 10 | YNFG12006 | NUT FLANGE, 3/8 | 3 |
| 11 | YNFG16003 | NUT FLANGE, 1/2 | 2 |
| 12 | YNHX16005 | NUT HEX, 1/2 | 1 |
| 13 | G89 | STRAIGHT ZERK, 1/4-28 X 90 | 2 |
| 14 | YBFB16150 | BOLT FLANGE, 1/2 X 1-1/2 G5 | 1 |
| 15 | YWFL24005 | WASHER FLAT, 3/4 | 2 |

| | | | |
|--|--|--|--|
| | | | |
| | | | |
| | | | |
| | | | |
| | | | |
| | | | |
| | | | |
| | | | |
| | | | |
| | | | |
| | | | |
| | | | |
| | | | |
| | | | |
| | | | |
| | | | |
| | | | |
| | | | |
| | | | |
| | | | |
| | | | |
| | | | |
| | | | |
| | | | |



| REF # | PART # | DESCRIPTION | QTY |
|-------|--------|--------------------------|-----|
| 1 | S105 | VARIABLE SPEED SHIFTER | 1 |
| 2 | S100 | THRUST BEARING | 1 |
| 3 | 67806 | SHEAVE, DRIVE | 2 |
| 4 | 67810 | SHEAVE | 2 |
| 5 | S108 | VARIABLE SPEED BELT | 1 |
| 6 | 68031 | ROUND SHAFT | 8 |
| 7 | 66137 | CHAIN #40 CONNECTOR LINK | 1 |
| 8 | S221 | SPRING SHIFTING BRACKET | 1 |
| 9 | 72947 | SHIFTING BRACKET | 1 |
| 10 | 73289 | SHIFTER PIPE | 1 |



FIGURE 18

SHEAVES/BELT & COMPONENTS

| REF # | PART # | DESCRIPTION | QTY |
|-------|-----------|---|-----|
| 11 | 73291 | SHIFTING ROD (BEATER) | 1 |
| 12 | G89 | STRAIGHT ZERK 1/4-28 X 90 | 2 |
| 13 | S291 | SPRING PIN COLLAR LH | 1 |
| 14 | 72297 | PLATE 3.75x1.25x.0598 SHIFTING PIPE BRACKET | 1 |
| 15 | 76550 | SHIFTER HANDLE PIPE END | 1 |
| 16 | S364 | SHIFTER HANDLE | 1 |
| 17 | S101 | CHAIN | 1 |
| * | S102 | CONNECTOR LINK | 1 |
| 18 | S103 | SHIFTING LINKAGE | 1 |
| 19 | S104 | ADJUSTMENT BLOCK | 1 |
| 20 | 78976 | SPACER, .77 | 1 |
| 21 | YPEX08020 | EXPANSION PIN | 2 |
| 22 | YPEX10030 | EXPANSION PIN, 5/16 X 3 | 2 |
| 23 | YPCT04005 | COTTER PIN, 1/8 X 1 | 1 |
| 24 | S220 | SHIFTING SPRING ROD | 1 |
| 25 | S109 | SPRING | 1 |
| 26 | S222 | SPRING | 1 |
| 27 | YBHH12010 | BOLT HEX, 3/8 X 1 G5 | 1 |
| 28 | YBHH12035 | BOLT HEX, 3/8 X 1-1/4 G5 | 1 |
| 29 | 78974 | SPACER | 1 |
| 30 | S293 | SHIFTER PRELOAD COLLAR | 1 |
| 31 | S403 | HANDLE GRIP | 1 |
| 32 | S99 | O-RING | 2 |
| 33 | YBCR12020 | BOLT CARRIAGE, 3/8 X 1-1/4 G5 | 3 |
| 34 | YBFB12275 | BOLT FLANGE, 3/8 X 2-3/4 G5 | 1 |
| 35 | YBFB16150 | BOLT FLANGE, 1/2 X 1-1/2 G5 | 1 |
| 36 | YNFG12006 | NUT FLANGE, 3/8 | 5 |
| 37 | K94 | SPACER CHAIN TIGHTENER | 1 |
| 38 | YNFG16003 | NUT FLANGE, 1/2 | 1 |
| 39 | YWFL12005 | WASHER FLAT, 3/8 | 1 |
| 40 | YBFB08075 | BOLT FLANGE, 1/4 X 3/4 G5 | 2 |
| 41 | YNFG08010 | NUT FLANGE, 1/4 | 2 |
| 42 | YBFB12003 | BOLT FLANGE, 3/8 X 1 G5 | 1 |
| 43 | S292 | SPRING | 1 |
| 44 | 73208 | SHIFTER PIPE ASSEMBLY | 1 |
| 45 | 73288 | SHIFTER PIPE & COMPONENTS | 1 |
| | | | |
| | | | |
| | | | |



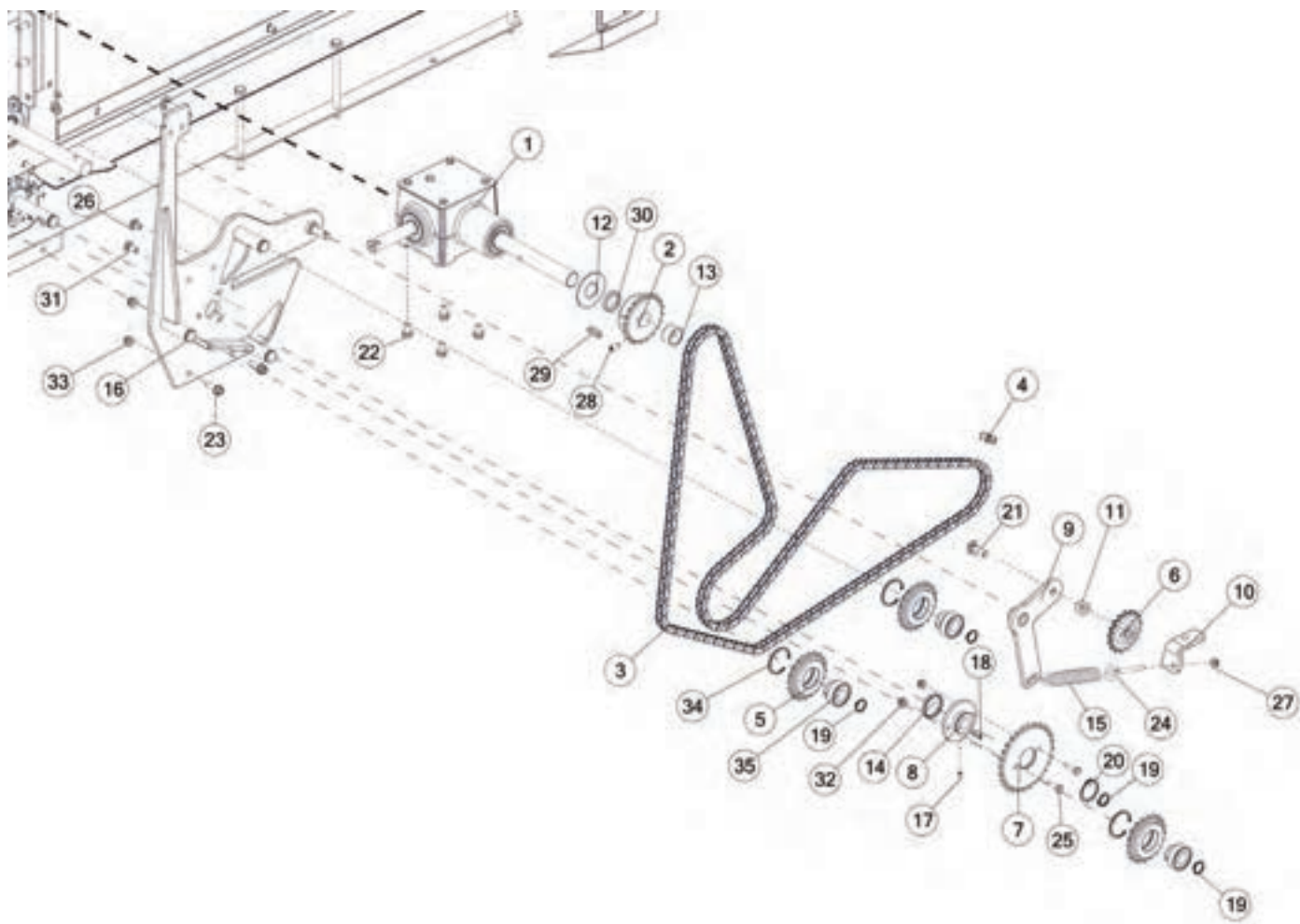


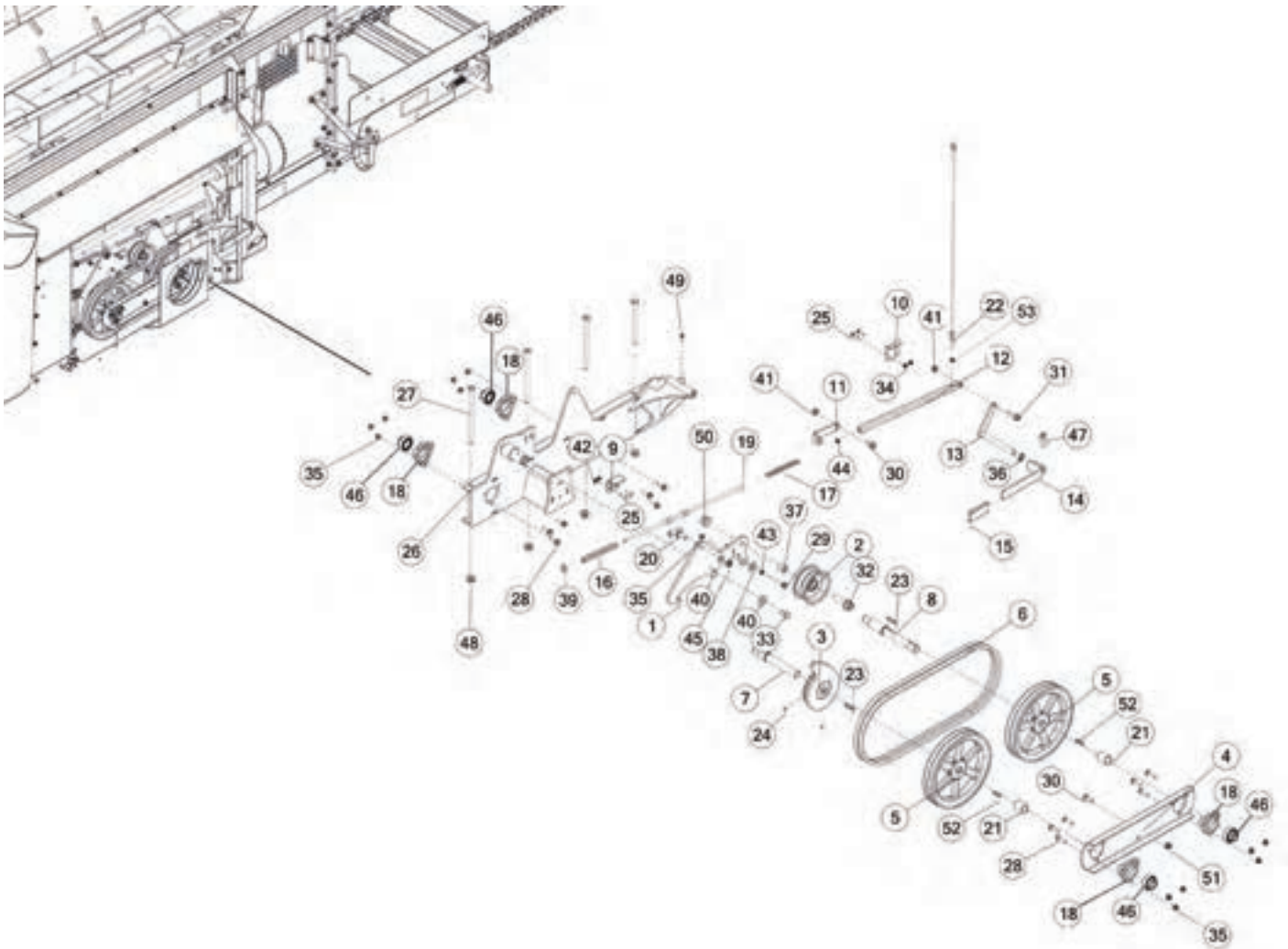


FIGURE 19

FRONT DRIVE CHAIN/SPROCKET & COMPONENTS

| REF # | PART # | DESCRIPTION | QTY |
|-------|-----------|---|-----|
| 1 | 78963 | BEVEL GEAR BOX | 1 |
| 2 | S26 | SPROCKET, 50B20 | 1 |
| 3 | 79010 | ROLLER CHAIN, #50 X 214 PITCHES | 1 |
| 4 | X61 | CONNECTOR LINK, #50 | 1 |
| 5 | 61147 | IDLER SPROCKET, 20T | 3 |
| 6 | K101 | IDLER SPROCKET, 17T | 1 |
| 7 | 76706 | SPROCKET, 28T | 1 |
| 8 | S391 | SHEAR HUB | 1 |
| 9 | 79005 | TIGHTENER BRACKET | 1 |
| 10 | 79007 | TIGHTEN SPRING BRACKET | 1 |
| 11 | 73305 | SPROCKET SPACER | 1 |
| 12 | 78974 | SPACER | 1 |
| 13 | 78976 | SPACER | 1 |
| 14 | S393 | BRONZE BUSHING, 2 X 1-3/4 | 1 |
| 15 | ST36 | TENSION SPRING | 1 |
| 16 | 78991 | IDLER MOUNT | 1 |
| 17 | YSKP10010 | SCREW SET, SOCKET, KNURLED CUP PT, 5/16 X 3/8 | 1 |
| 18 | 5B10 | WOODRUFF KEY, 1/4 X 1 | 1 |
| 19 | 3G21 | SNAP RING, 1 | 4 |
| 20 | S394 | SNAP RING, 1-3/4 | 1 |
| 21 | YBCR16010 | BOLT CARRIAGE, 1/2 X 1-1/2 G5 | 1 |
| 22 | YBFB12075 | BOLT FLANGE, 3/8 X 3/4 G5 | 4 |
| 23 | YBFB12125 | BOLT FLANGE, 3/8 X 1-1/4 G5 | 2 |
| 24 | YBTE10035 | BOLT TURNED EYE, 5/16 X 3 | 1 |
| 25 | YBHH10050 | BOLT HEX, 5/16 X 1-1/8 G5 | 2 |
| 26 | YBCR12065 | BOLT CARRIAGE, 3/8 X 3/4 G5 | 1 |
| 27 | YNFG10005 | NUT FLANGE, 5/16 | 1 |
| 28 | YSKP12035 | SCREW SOCKET, KNRD CUP PT 3/8 X 3/4 | 1 |
| 29 | G23A | SQUARE KEY, 5/16 X 1-1/4 | 1 |
| 30 | 80607 | SPACER | 1 |
| 31 | YBCR12010 | BOLT CARRIAGE, 3/8 X 1 | 1 |
| 32 | YNFG10005 | NUT FLANGE, 5/16 | 1 |
| 33 | YNFG12006 | NUT FLANGE, 3/8 | 2 |
| 34 | K92 | INTERNAL SNAP RING | 3 |
| 35 | K90 | BEARING | 3 |
| | | | |
| | | | |
| | | | |





| REF # | PART # | DESCRIPTION | QTY |
|-------|--------|----------------------|-----|
| 1 | 80630 | IDLER BRAKE ARM | 1 |
| 2 | GM127 | IDLER PULLEY | 1 |
| 3 | 78898 | SPROCKET, STOP DISK | 1 |
| 4 | 78921 | BEARING BRACKET | 1 |
| 5 | 80531 | PULLEY | 2 |
| 6 | SD1 | DRIVE BELT SET | 1 |
| 7 | 80534 | OUTPUT SHAFT | 1 |
| 8 | 80672 | INPUT SHAFT | 1 |
| 9 | 80700 | BRAKE ARM PIVOT STOP | 1 |
| 10 | 72755 | CLUTCH HANDLE STOP | 1 |
| 11 | 80678 | SPRING BRACKET | 1 |
| 12 | 80685 | SHIFTER ROD END | 1 |

| REF # | PART # | DESCRIPTION | QTY |
|-------|-----------|---|-----|
| 13 | 80675 | HANDLE PIVOT | 1 |
| 14 | 76455 | CLUTCH HANDLE | 1 |
| 15 | S362 | HANDLE LEVER GRIP | 1 |
| 16 | 23N211 | SPRING | 1 |
| 17 | S369 | SPRING | 1 |
| 18 | 80530 | PILLOW BLOCK BEARING, 1 | 4 |
| 19 | SD34 | PRIMARY CLUTCH ROD | 1 |
| 20 | S344 | CLUTCH ROD SLIDE | 1 |
| 21 | 80671 | SPACER | 2 |
| 22 | 80576 | EMERGENCY STOP CABLE | 1 |
| 23 | PB218 | SQUARE KEY, 1/4 X 1-1/2 | 2 |
| 24 | YSKP10010 | SCREW SET, SOCKET, KNURLED CUP PT, 5/16 X 3/8 | 2 |
| 25 | YBCR08005 | BOLT CARRIAGE, 1/4 X 1 G5 | 4 |
| 26 | 80733 | CLUTCH FRAME | 1 |
| 27 | YBHH16175 | BOLT HEX, 1/2 X 6-1/2 | 4 |
| 28 | YBFB10125 | BOLT FLANGE, 5/16 X 1-1/4 G5 | 9 |
| 29 | YBFB10250 | BOLT FLANGE, 5/16 X 2-1/2 G5 | 1 |
| 30 | YBFB12003 | BOLT FLANGE, 3/8 X 1 G5 | 2 |
| 31 | YBFB12150 | BOLT FLANGE, 3/8 X 1-1/2 G5 | 1 |
| 32 | YBFB20300 | BOLT FLANGE, 5/8 X 3 G5 | 1 |
| 33 | YBHH16110 | BOLT HEX, 1/2 X 3/4 G5 | 1 |
| 34 | YNFG08010 | NUT FLANGE, 1/4 | 2 |
| 35 | YNFG10005 | NUT FLANGE, 5/16 | 13 |
| 36 | S352 | RETAINING RING, SELF-LOCKING, 5/8 | 1 |
| 37 | SD211 | PULLEY IDLER SPACER | 1 |
| 38 | YWFL10005 | WASHER FLAT, 5/16 | 2 |
| 39 | YWFL12005 | WASHER FLAT, 3/8 | 1 |
| 40 | YWFL16005 | WASHER FLAT, 1/2 | 2 |
| 41 | YNFG12006 | NUT FLANGE, 3/8 | 3 |
| 42 | YNFG08010 | NUT FLANGE, 1/4 | 2 |
| 43 | YNJM10005 | NUT JAM, 5/16 A | 1 |
| 44 | YNJM12005 | NUT JAM, 3/8 A | 1 |
| 45 | YNNJ16005 | NUT JAM, 1/2 G2 | 1 |
| 46 | 23N221 | BEARING | 2 |
| 47 | YPLY08011 | LYNCH PIN, 1/4 X 1-9/16 | 1 |
| 48 | YNFG16003 | NUT FLANGE, 1/2 | 4 |
| 49 | G89 | STRAIGHT ZERK, 1/4-28 X 90 | 1 |
| 50 | YNFG20005 | NUT LFNAGE, 5/8 | 1 |
| 51 | YNFG12006 | NUT LFNAGE, 3/8 | 1 |
| 52 | S135 | SQUARE KEY, 1/4 X 1-1/4 | 2 |
| 53 | YNJM12005 | NUT JAM, 3/8 | 1 |



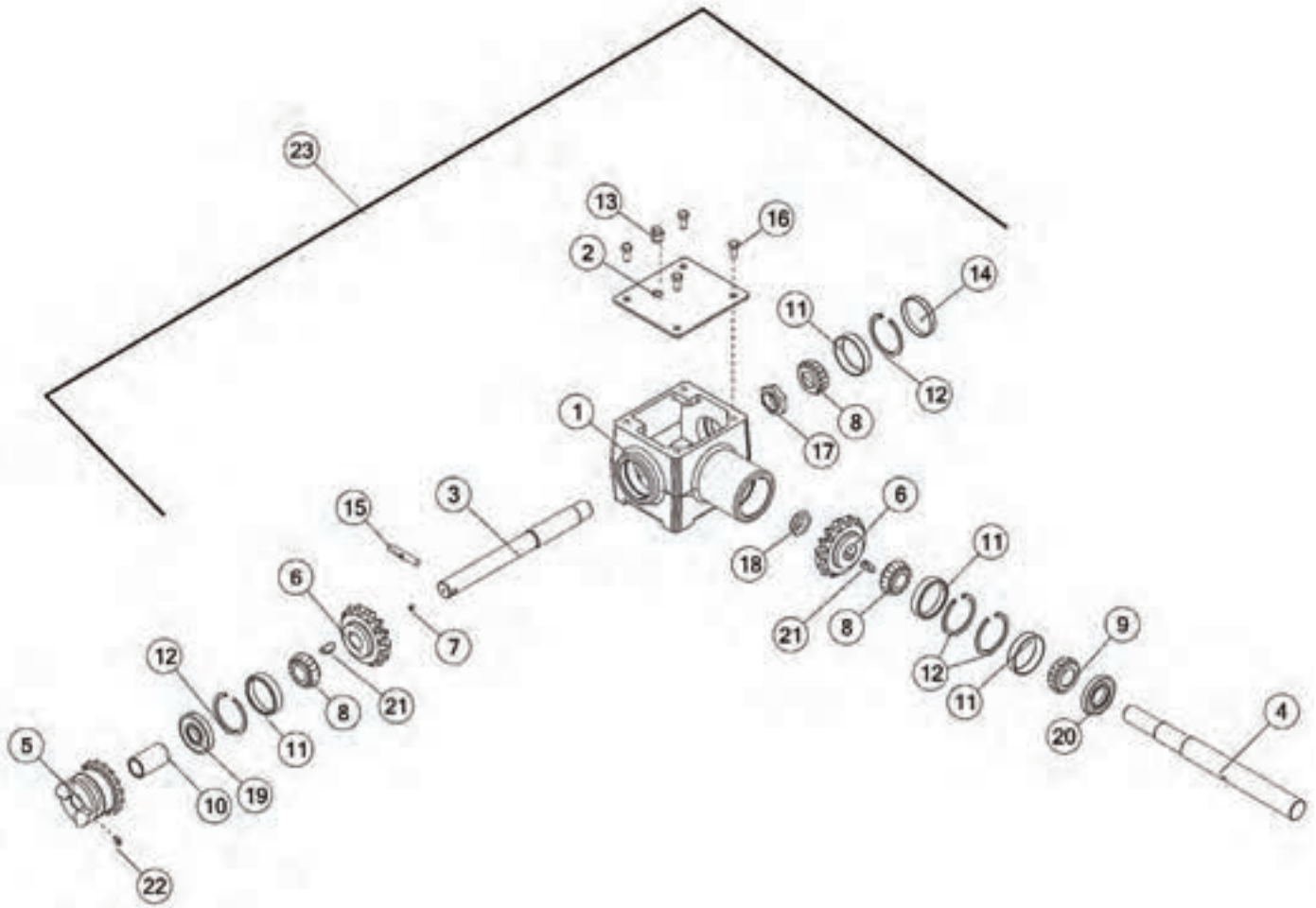




FIGURE 21

BEATER GEARBOX

| REF # | PART # | DESCRIPTION | QTY |
|-------|-----------|------------------------------|-----|
| 1 | 3G1 | HOUSING | 1 |
| 2 | 3G3 | COVER | 1 |
| 3 | 76115 | SIDE SHAFT | 1 |
| 4 | 76354 | GEARBOX SHAFT, FRONT | 1 |
| 5 | S116 | BEATER CLUTCH | 1 |
| 6 | 57521 | BEVEL GEAR | 2 |
| 7 | YSKP08020 | SCREW SET, SOCKET, 1/4 X 1/4 | 1 |
| 8 | 3G7 | TAPER BEARING | 3 |
| 9 | L3G24 | TAPER BEARING | 1 |
| 10 | S117 | BRONZE BUSHING | 1 |
| 11 | 12N19 | INNER RACE | 4 |
| 12 | 3G19 | SNAP RING | 4 |
| 13 | 3G20 | VENT PLUG | 1 |
| 14 | G90 | CAP | 1 |
| 15 | S115 | PIN | 1 |
| 16 | YBHH10105 | BOLT HEX, 5/16 X 3/4 G5 | 4 |
| 17 | 3G11 | GEAR BOX NUT, 1-1/8 | 4 |
| 18 | 3G4 | GEAR BOX NUT, 1 | 1 |
| 19 | 3G9 | SEAL | 1 |
| 20 | S136 | OIL SEAL | 1 |
| 21 | 5B10 | WOODRUFF KEY, 1/4 X 1 | 2 |
| 22 | G89 | STRAIGHT ZERK 1/4-28 X 90 | 1 |
| 23 | 78963 | COMPLETE GEARBOX | 1 |



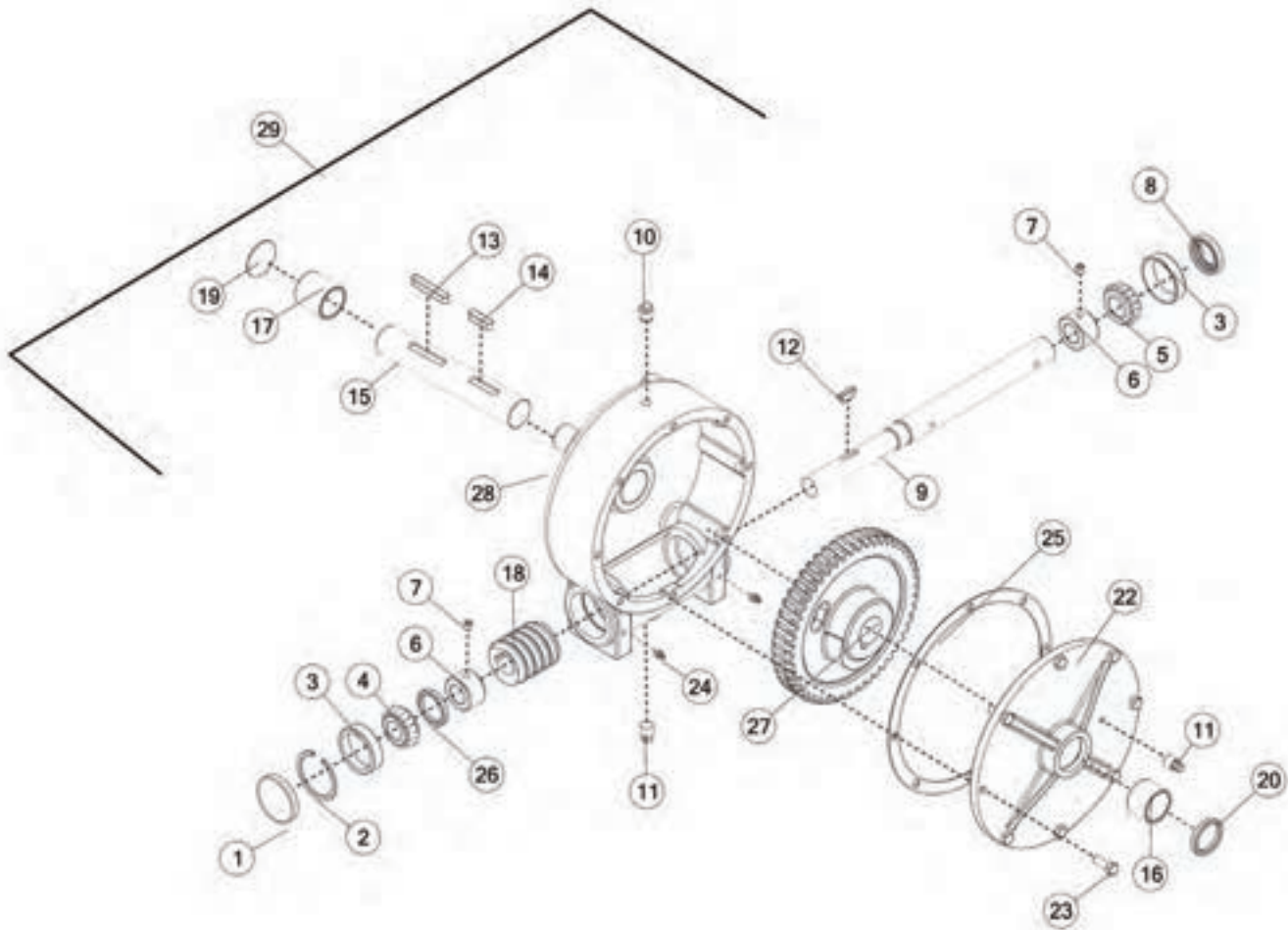


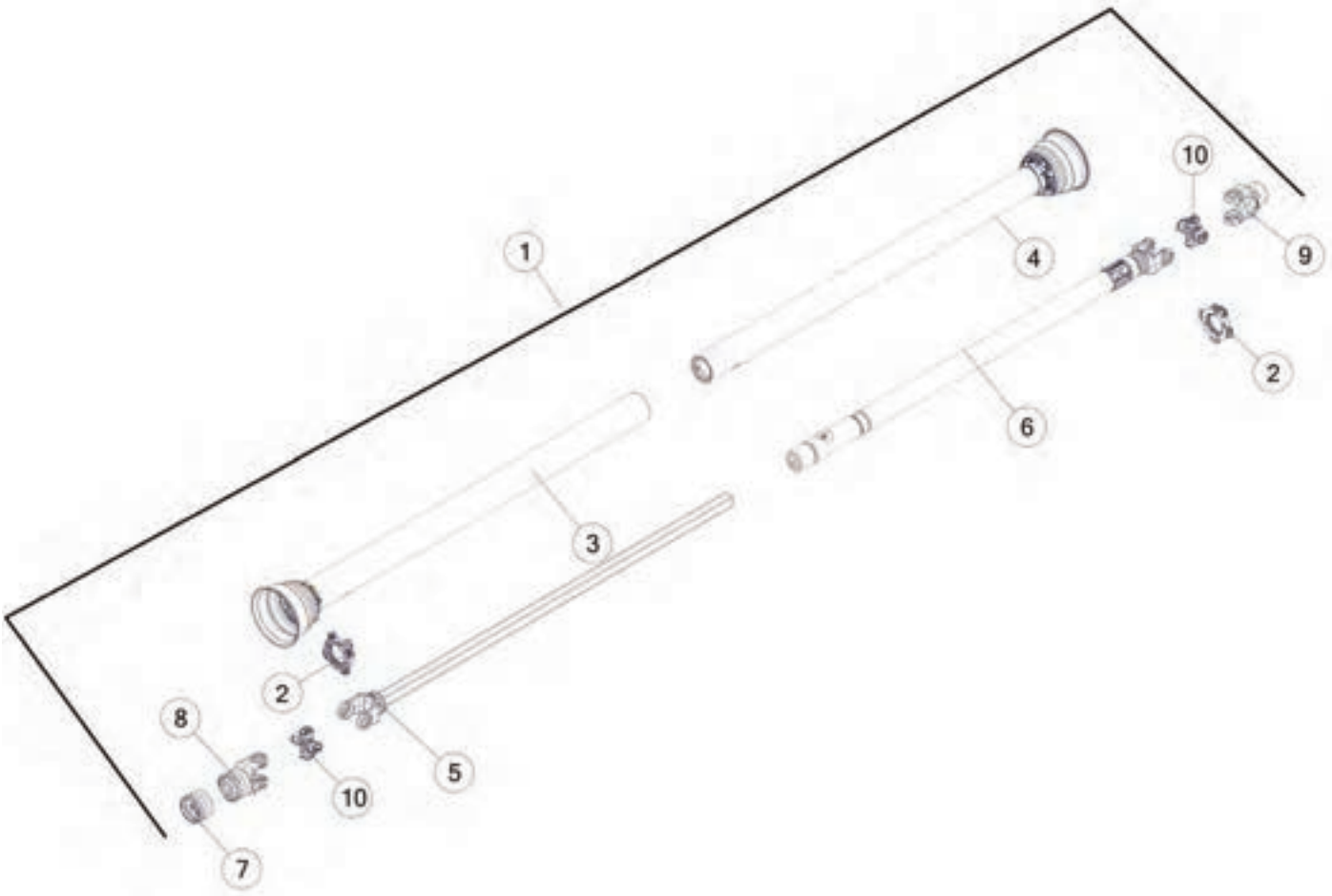


FIGURE 22

WORM GEARBOX

| REF # | PART # | DESCRIPTION | QTY |
|-------|-----------|------------------------------|-----|
| 1 | G90 | CAP | 1 |
| 2 | 3G19 | SNAP RING | 1 |
| 3 | 3G18 | ROLLER BEARING | 2 |
| 4 | 3G7 | TAPER BEARING | 1 |
| 5 | L3G24 | TAPER BEARING | 1 |
| 6 | X9 | SPACER | 2 |
| 7 | YSKP12025 | SCREW SET, SOCKET, 3/8 X 3/8 | 2 |
| 8 | G115 | OIL SEAL | 1 |
| 9 | S140 | WORM GEAR SHAFT, FRONT | 1 |
| 10 | 59184 | PIPE PLUG, PLASTIC, 3/8 | 1 |
| 11 | 23N149 | PLUG | 1 |
| 12 | 5B10 | WOODRUFF KEY, 1/4 X 1 | 1 |
| 13 | S138 | ROUND KEY, 3/8 X 2-3/8 | 1 |
| 14 | S436 | SQUARE KEY, 3/8 X 1-1/2 | 1 |
| 15 | S139 | WORM GEAR SHAFT, SIDE | 1 |
| 16 | X75 | BUSHING | 1 |
| 17 | X8 | BUSHING | 1 |
| 18 | G76 | WORM GEAR | 1 |
| 19 | G117 | CAP | 1 |
| 20 | G120 | OIL SEAL | 1 |
| 21 | X77 | BRONZE WORM GEAR | 1 |
| 22 | G116 | WORM GEAR BOX COVER | 1 |
| 23 | YBHH12010 | BOLT HEX, 3/8 X 1 G5 | 8 |
| 24 | G89 | STRAIGHT ZERK 1/4-28 X 90 | 1 |
| 25 | G88 | GASKET | 1 |
| 26 | 59249 | SHIM, .005 | 1 |
| * | 58748 | SHIM, .007 | 1 |
| * | G92 | SHIM, STAINLESS .01 | 1 |
| * | 59250 | SHIM, .02 | 1 |
| 27 | G77 | GEAR | 1 |
| 28 | G114 | HOUSING | 1 |
| 29 | G118 | WORM GEARBOX | 1 |
| | | | |
| | | | |
| | | | |
| | | | |
| | | | |
| | | | |
| | | | |



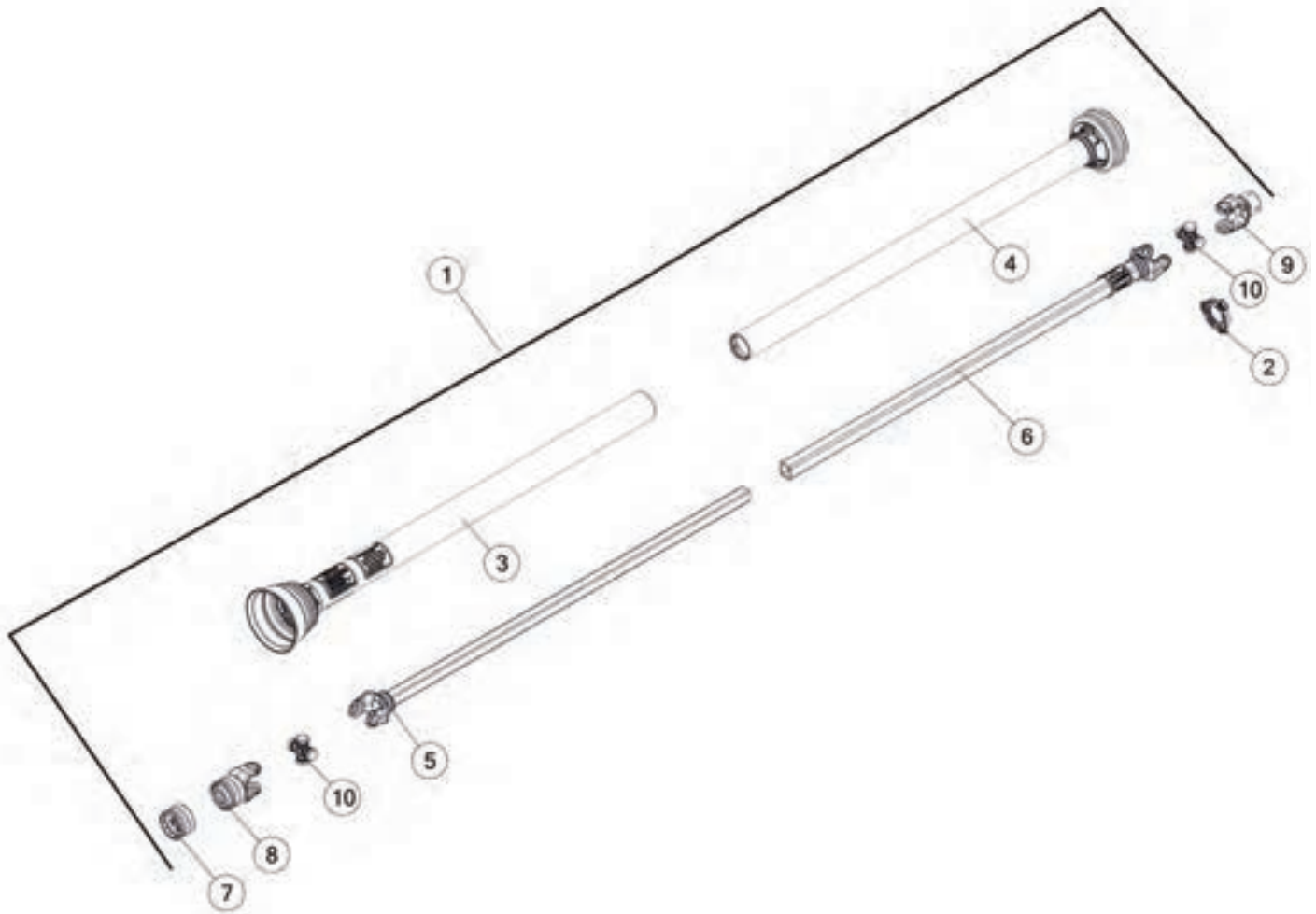


| REF # | PART # | DESCRIPTION | QTY |
|-------|----------|---------------------------|-----|
| 1 | S457 | COMPLETE PTO | 1 |
| 2 | 16SV181 | GUARD REPAIR KIT | 2 |
| 3 | 8224 | OUTER GUARD | 1 |
| 4 | 8225 | INNER GUARD | 1 |
| 5 | 8220 | YOKE AND SHAFT | 1 |
| 6 | 8227 | YOKE TUBE AND SLIP SLEEVE | 1 |
| 7 | S225 | SPRING-LOK REPAIR KIT | 1 |
| 8 | 23N162 | SPRING LOCK YOKE | 1 |
| 9 | 8228 | YOKE, 14 | 1 |
| 10 | 14NW KIT | CROSS KIT, 14 | 2 |



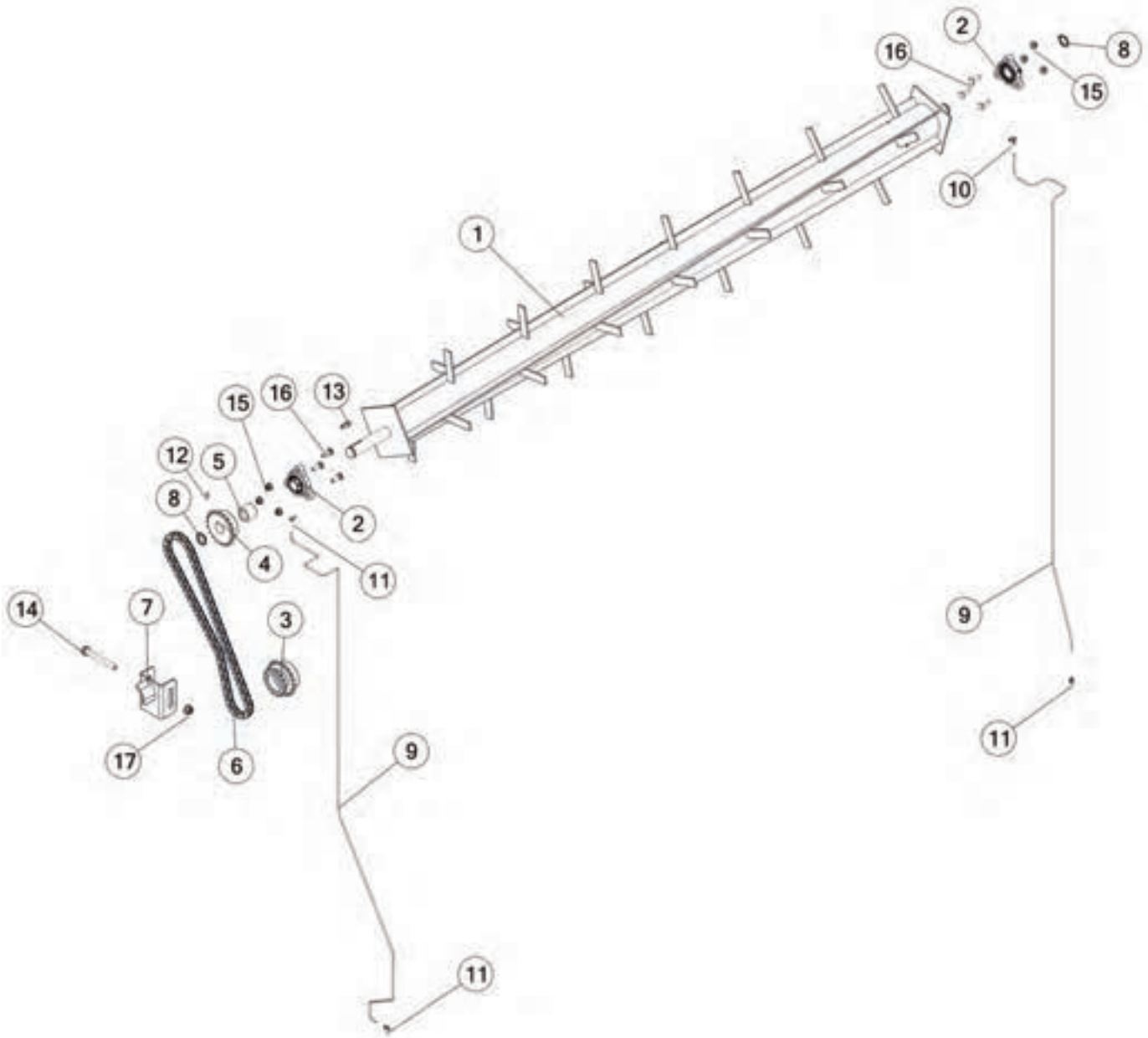
FIGURE 24

PTO 540 RPM STANDARD



| REF # | PART # | DESCRIPTION | QTY |
|-------|--------|------------------------|-----|
| 1 | S372 | HD NEEDLE BEARING PTO | 1 |
| 2 | 78807 | GUARD REPAIR KIT | 1 |
| 3 | S398 | OUTER GUARD | 1 |
| 4 | S397 | INNER GUARD | 1 |
| 5 | S378 | YOKE AND SHAFT | 1 |
| 6 | S376 | YOKE AND TUBE | 1 |
| 7 | S225 | SPRING LOCK REPAIR KIT | 1 |
| 8 | S379 | SPRING LOCK YOKE, 12 | 1 |
| 9 | S374 | YOKE, 12 | 1 |
| 10 | S375 | CROSS KIT, 12R | 1 |





| REF # | PART # | DESCRIPTION | QTY |
|-------|-----------|---|-----|
| 1 | S263 | BEATER | 1 |
| 2 | 80662 | BEARING 1-1/4 | 2 |
| 3 | S266 | SPROCKET, 50B16, 50B20 | 1 |
| 4 | S26 | SPROCKET, 50B20, 1.253 ID | 1 |
| 5 | S262 | SPACER | 1 |
| 6 | 87249 | ROLLER CHAIN, 50 X 78 PITCHES | 1 |
| * | X61 | CONNECTING LINK | 1 |
| 7 | 87254 | CHAIN TIGHTNER | 1 |
| 8 | F73 | SNAP RING, 1-1/4 | 2 |
| 9 | 79314 | GREASE LINE | 2 |
| 10 | 8257 | GREASE LINE FITTING, 90 DEGREE, 5/32 x 1/4 | 1 |
| 11 | 54572 | GREASE LINE FITTING, STRAIGHT | 3 |
| 12 | YSKP10010 | SET SCREW, SOCKT, KNURL CUP PT, 5/16 - 18 X 3/8 | 1 |
| 13 | G23A | SQUARE KEY, 5/16 X 1-1/4 | 1 |
| 14 | YBFB16450 | BOLT FLANGE, 1/2 X 4-1/2 G5 | 1 |
| 15 | YNFG12006 | NUT FLANGE, 3/8 GF | 6 |
| 16 | YBFB12150 | BOLT FLANGE, 3/8 X 1-1/2 G5 | 6 |
| 17 | YNFG16003 | NUT FLANGE, 1/2 | 1 |
| | | | |
| | | | |
| | | | |
| | | | |
| | | | |
| | | | |
| | | | |
| | | | |
| | | | |
| | | | |
| | | | |
| | | | |
| | | | |



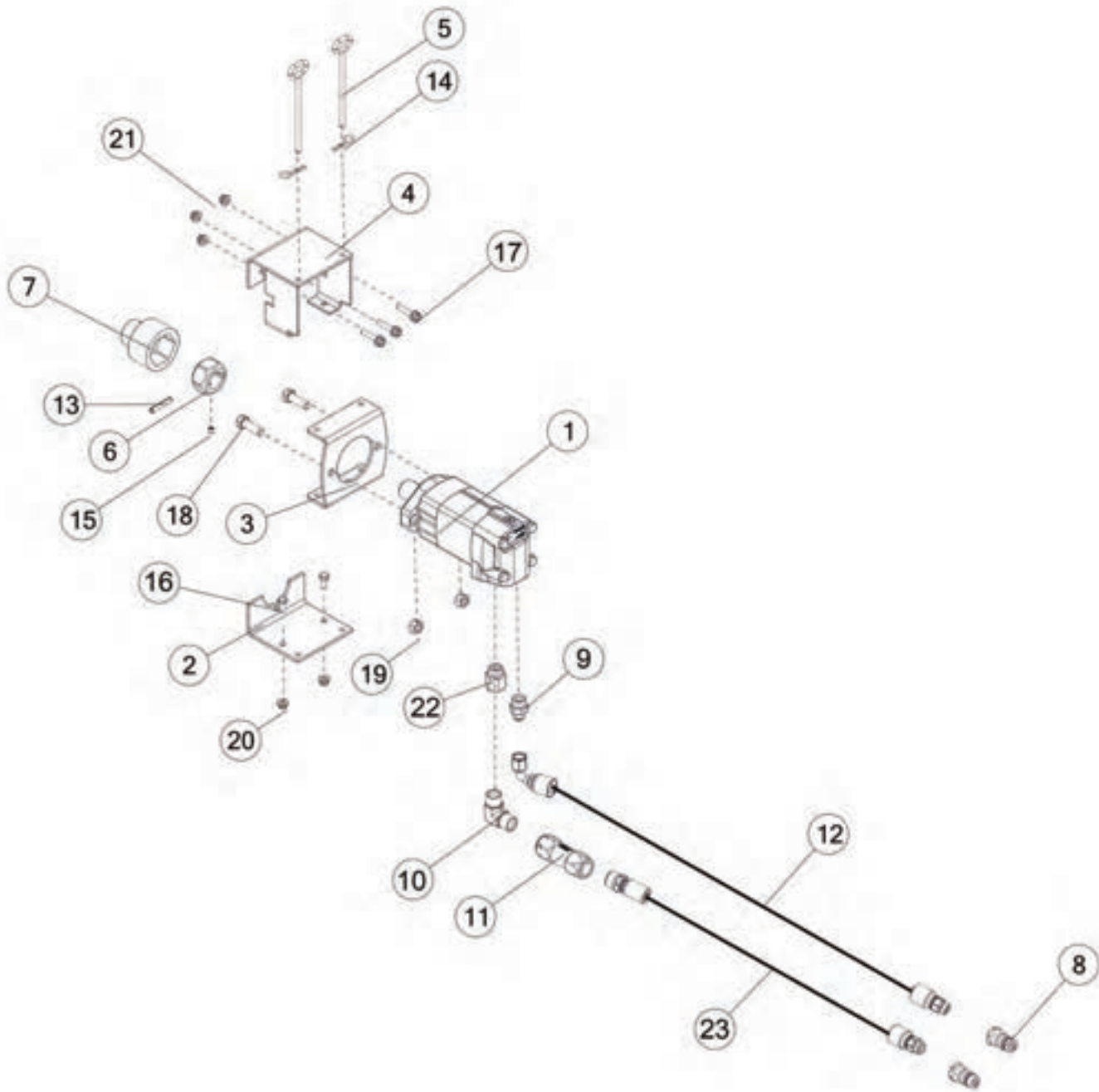




FIGURE 26

HYDRAULIC DRIVE KIT

| REF # | PART # | DESCRIPTION | QTY |
|-------|------------|---|-----|
| 1 | 16SV150 | HYDRAULIC MOTOR | 1 |
| 2 | S383 | BOTTOM MOTOR HANGER, 6-1/2 X 5 X 3/16 | 1 |
| 3 | S464 | MOTOR MOUNT 2000 SERIES | 1 |
| 4 | S382 | TOP MOTOR HANGER | 1 |
| 5 | S386 | PIN, MOTOR UNIT MOUNT | 2 |
| 6 | S463 | PRIMARY HEX DRIVE 2000 SERIES | 1 |
| 7 | S411 | SECONDARY HEX DRIVE | 1 |
| 8 | 67148 | QUICK COUPLER | 2 |
| 9 | GM27 | FITTING STRAIGHT, 8JIC X 10ORB | 2 |
| 10 | 91129 | FITTING CR, 3/4 X 1/2 | 1 |
| 11 | PB185 | CHECK VALVE, 3/4 | 2 |
| 12 | 85248 | HYDRAULIC HOSE 1/2 X 132 | 2 |
| 13 | YPEX10015 | EXPANSION PIN, 5/16 X 1-3/4 | 1 |
| 14 | YPHR02005 | HAIR PIN | 2 |
| 15 | YSKP10010 | SCREW SET, SOCKT, KNURL CUP PT, 5/16 - 18 X 3/8 | 1 |
| 16 | YBHH10105 | BOLT HEX, 5/16 X 3/4 G5 | 2 |
| 17 | YBFB101500 | BOLT FLANGE, 5/16 X 1-1/2 | 3 |
| 18 | YBHH16030 | BOLT HEX, 1/2 X 1-1/2 G5 | 2 |
| 19 | YNRL16005 | NUT HEX, 1/2 | 2 |
| 20 | YNHX10005 | NUT HEX, 5/16 | 2 |
| 21 | YNFG10005 | NUT FLANGE, 5/16 | 3 |
| 22 | WM289 | FITTING STRAIGHT, 10ORB, 1/2NPT, STL | 1 |
| 23 | 80669 | HYDRAULIC HOSE, 1/2 X 132 | 1 |
| | | | |
| | | | |
| | | | |
| | | | |
| | | | |
| | | | |
| | | | |
| | | | |
| | | | |
| | | | |
| | | | |
| | | | |
| | | | |
| | | | |
| | | | |
| | | | |





FIGURE 27

ELECTRIC CAB CONTROL KIT

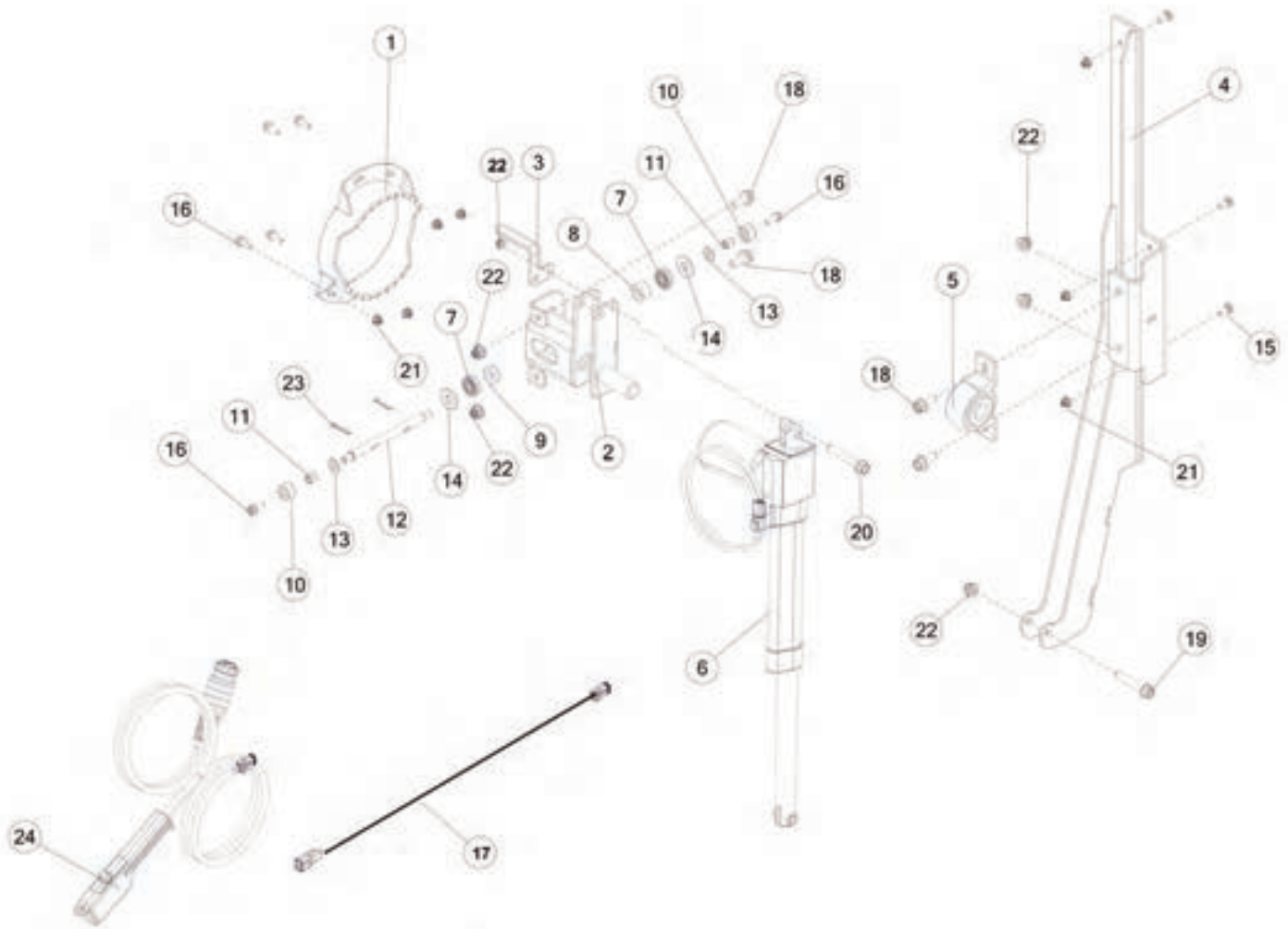




FIGURE 27

ELECTRIC CAB CONTROL KIT

| REF # | PART # | DESCRIPTION | QTY |
|-------|-----------|--|-----|
| 1 | 76734 | CAB CONTROL SPOOL | 1 |
| 2 | 89113 | CAB CONTROL PIVOT | 1 |
| 3 | 83019 | INDICATOR BRACKET | 1 |
| 4 | 89119 | ACTUATOR BRACKET | 1 |
| 5 | 80N22 | BEARING, | 1 |
| 6 | 89130 | LINEAR ACTUATOR | 1 |
| 7 | 72910 | BALL, BEARING | 2 |
| 8 | 76540 | STEEL BUSHING | 1 |
| 9 | 76541 | STEEL BUSHING | 1 |
| 10 | 78024 | ROUND TUBE | 1 |
| 11 | 78028 | BRONZE BUSHING | 2 |
| 12 | 78041 | ROUND SHAFT | 1 |
| 13 | YWFL12010 | WASHER FLAT, 3/8 | 2 |
| 14 | YWFL16005 | WASHER, FLAT, 1/2 | 2 |
| 15 | YBCR08040 | BOLT CARRIAGE, 1/4 X 3/4 G5 | 3 |
| 16 | YBFB08075 | BOLT FLANGE, 1/4 X 3/4 G5 | 4 |
| 17 | 85050 | CAB CONTROL WIRE HARNESS | 1 |
| 18 | YBFB12003 | BOLT FLANGE, 3/8 X 1 G5 | 1 |
| 19 | YBFB12225 | BOLT FLANGE, 3/8 X 2-1/4 G5 | 1 |
| 20 | YBFB12500 | BOLT FLANGE, 3/8 X 5 G5 | 1 |
| 21 | YNFG08010 | NUT FLANGE, 1/4 | 7 |
| 22 | YNFG12006 | NUT FLANGE, 3/8 | 6 |
| 23 | YPCT04005 | COTTER PIN, 1/8 X 1 | 2 |
| 24 | 85332 | HAND CONTROLLER, (ON)-OFF-(ON) REVERSING | 1 |
| * | 16SV235 | SWITCH BOOTS | 1 |
| * | 61564 | CAP | 1 |
| * | 58790 | DEUTSCH 2 PIN PLUG HOUSING | 1 |
| * | 56760 | DEUTSCH SOCKET, SOLID, 14-16 GA. | 2 |
| * | 58793 | WEDGELOCK FOR DT06-2S CONNECTOR | 1 |
| * | EFAT015 | ELEC, FUSE, ATO, 15 AMP | 1 |
| | | | |
| | | | |
| | | | |
| | | | |
| | | | |
| | | | |
| | | | |
| | | | |
| | | | |
| | | | |
| | | | |
| | | | |
| | | | |
| | | | |
| | | | |
| | | | |
| | | | |



FB746219
FORAGE BOX



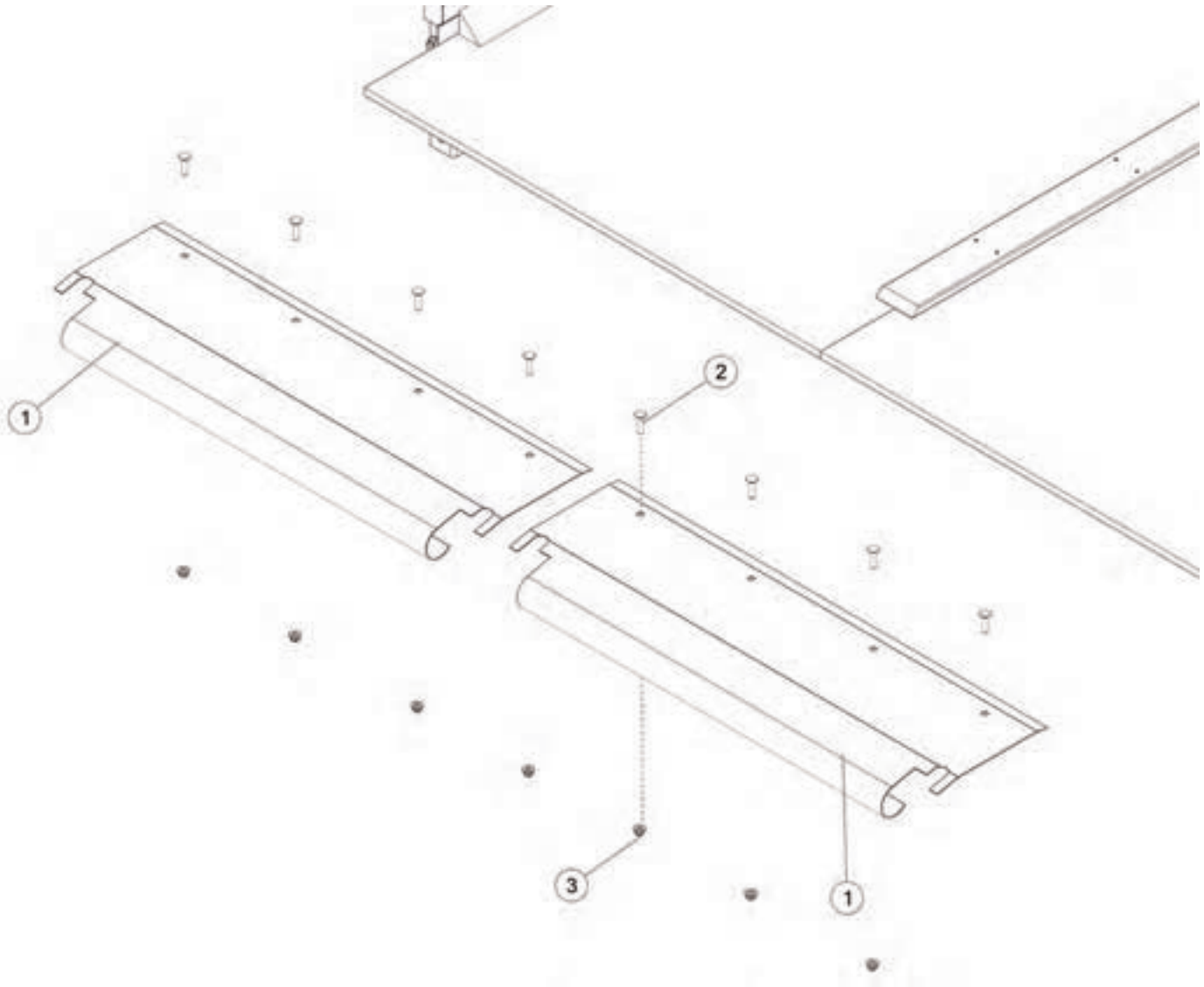
CONTENTS

| FIGURE # | CONTENTS | PAGE # |
|----------|-----------------------------------|--------|
| 1 | FRONT DRIVE SHAFT PANEL | 56 |
| 2 | SIDE STAKES | 57 |
| 3 | SIDE METAL & TOP FILLER PANELS RH | 58 |
| 4 | SIDE METAL & TOP FILLER PANELS LH | 59 |
| 5 | FLOOR & COMPONENTS | 60 |
| 6 | APRON CHAIN & COMPONENTS | 61 |
| 7 | REAR DRIVE SHAFT & COMPONENTS | 62-63 |
| 8 | IDLER SHAFTS & COMPONENTS | 64-65 |
| 9 | REAR DRIVE SPROCKETS & COMPONENTS | 66-67 |
| 10 | BACK DOOR GATE DELAY & COMPONENTS | 68-69 |
| 11 | SAFETY CABLE & COMPONENTS | 70-71 |
| 12 | HYDRAULICS | 72-73 |
| 13 | LIGHTS | 74-75 |
| 14 | ROOF & COMPONENTS | 76-77 |
| 15 | OPTIONAL ROOF HOOD | 78-79 |
| 16 | TIE DOWN KIT | 80-81 |
| 17 | CONVERSION KIT . | 82-83 |
| 18 | TRUCK MOUNT KIT - WBOTMK | 84-85 |
| 19 | RUNNING GEAR RISER KIT - RGORK1 | 86-87 |
| | | |
| | | |
| | | |
| | | |
| | | |
| | | |
| | | |
| | | |
| | | |
| | | |
| | | |
| | | |
| | | |
| | | |
| | | |
| | | |
| | | |
| | | |
| | | |



FIGURE 1

FRONT DRIVE SHAFT PANEL

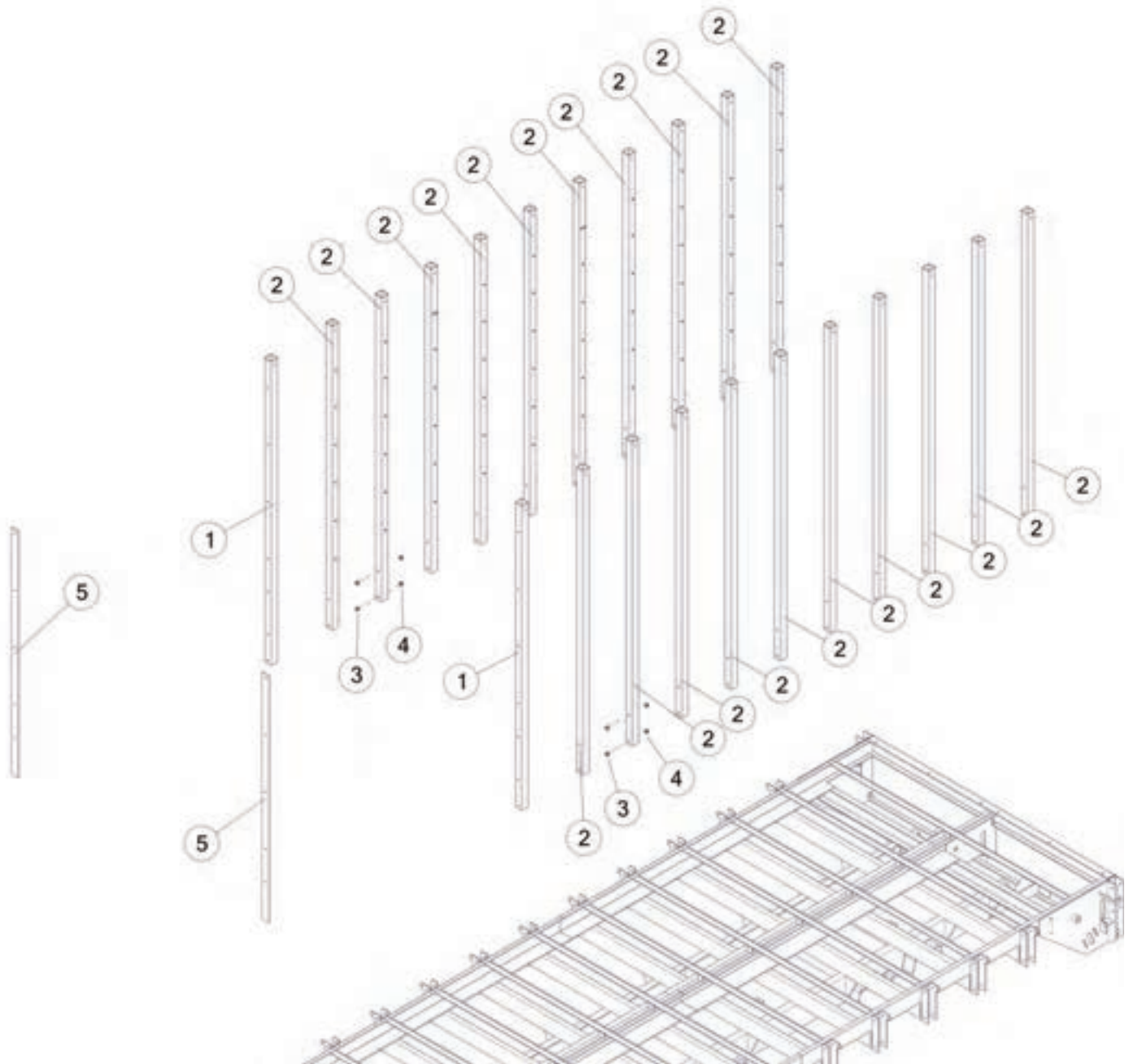


| REF # | PART # | DESCRIPTION | QTY |
|-------|-----------|-------------------------------|-----|
| 1 | 72996 | SHAFT GUARD | 2 |
| 2 | YBCR12015 | BOLT CARRIAGE, 3/8 X 1-1/2 G5 | 8 |
| 3 | YNFG12006 | NUT FLANGE, 3/8 | 8 |
| | | | |
| | | | |



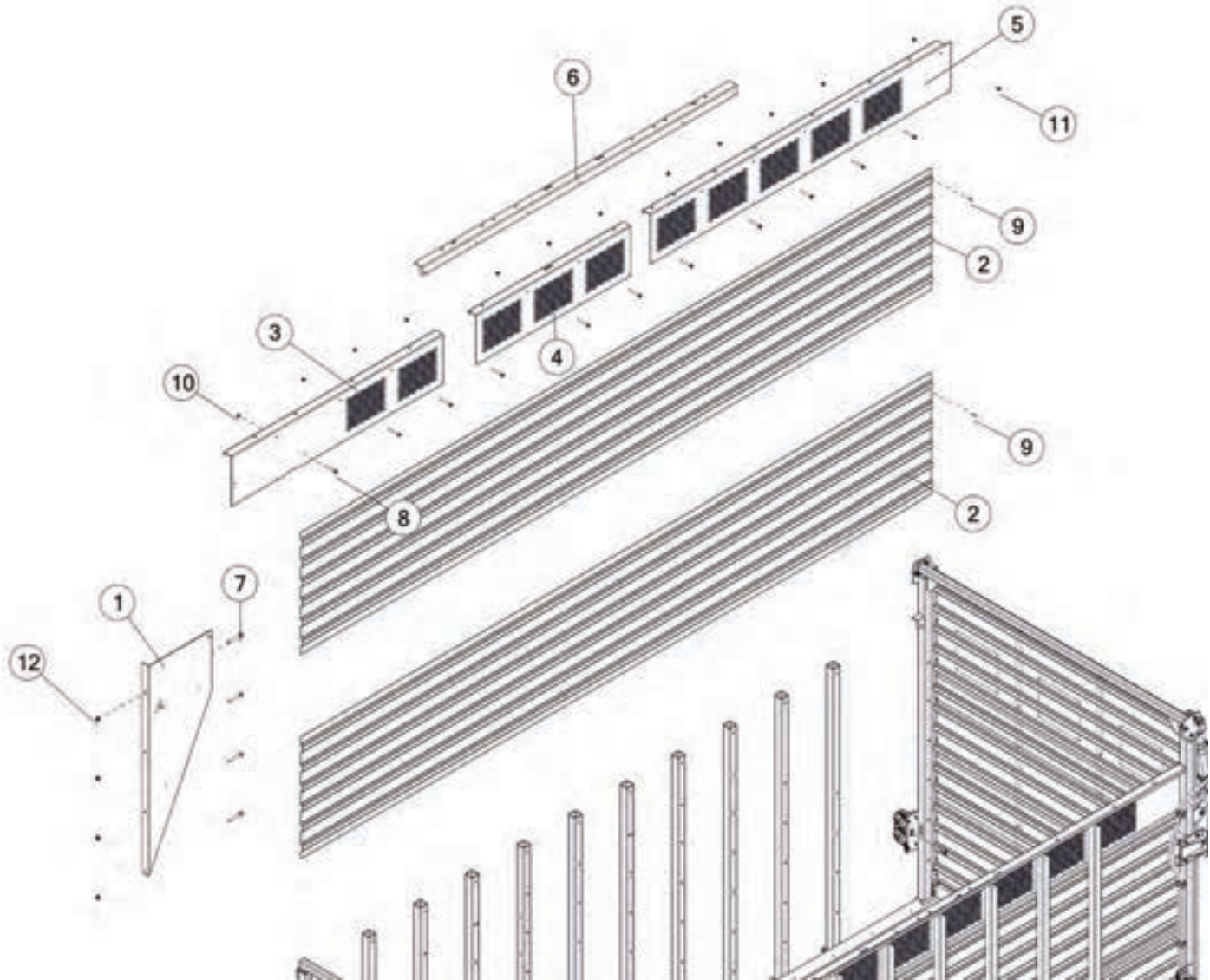
FIGURE 2

SIDE STAKES



| REF # | PART # | DESCRIPTION | QTY |
|-------|-----------|------------------------------|-----|
| 1 | 86407 | FRONT STAKE | 2 |
| 2 | IFB124 | SIDE STAKE | 20 |
| 3 | YBFB16400 | BOLT FLANGE, 1/2 X 4 G5 | 44 |
| 4 | YNFG16003 | NUT FLANGE, 1/2 | 48 |
| 5 | 86654 | UNIT SPACER | 2 |
| * | YBFB16450 | BOLT FLANGE, 1/2 X 4-1/2 G5F | 4 |



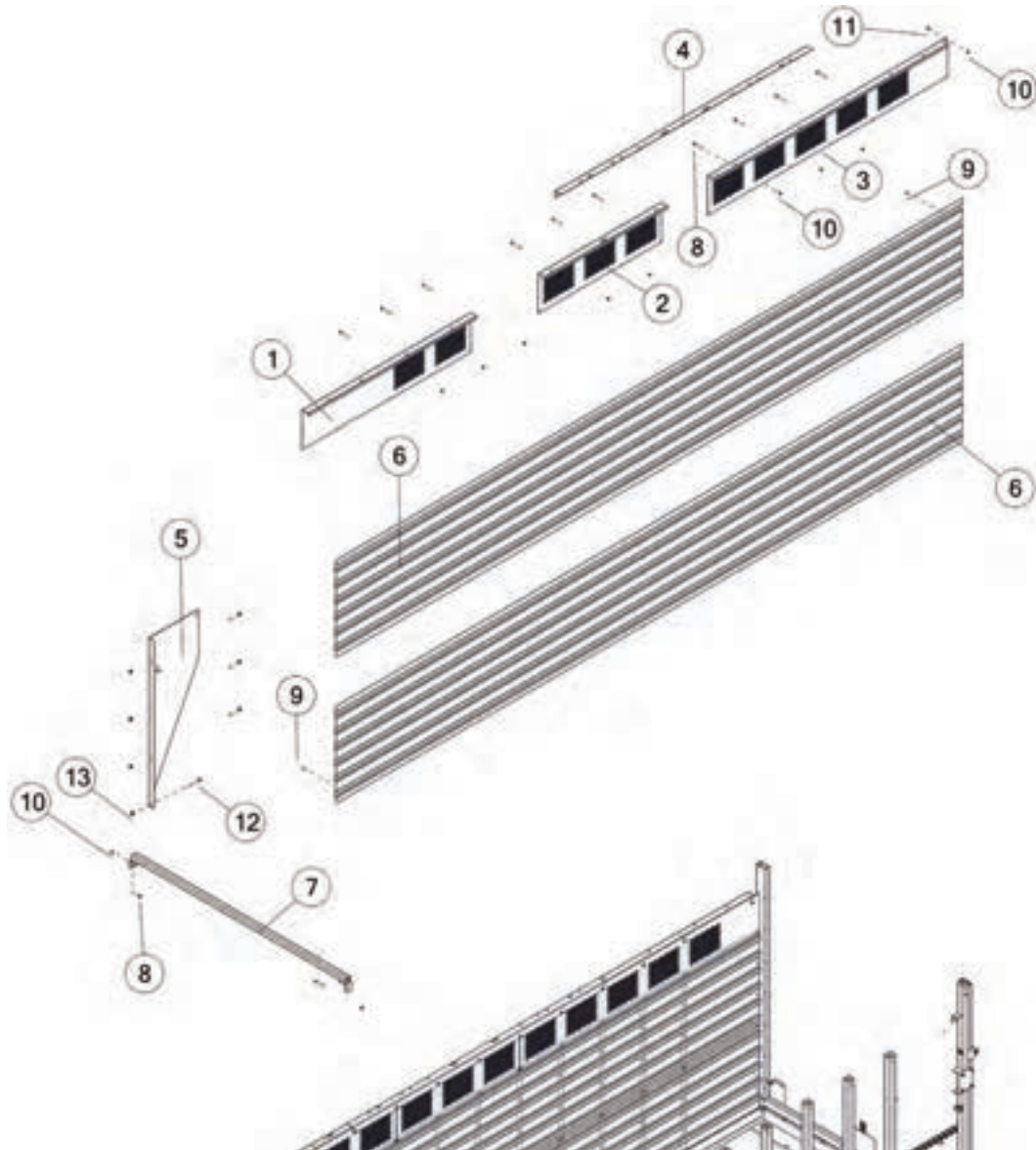


| REF # | PART # | DESCRIPTION | QTY |
|-------|-----------|--|-----|
| 1 | 86695 | 4TH BEATER FILLER PANEL RH | 1 |
| 2 | 86692 | SIDE PANEL, 19FT | 2 |
| 3 | 86693 | TOP RAIL, FRONT RH | 1 |
| 4 | 86503 | TOP RAIL, CENTER, 54 | 1 |
| 5 | 86498 | TOP RAIL, BACK RH | 1 |
| 6 | 86630 | TOP RAIL SPLICE | 1 |
| 7 | YBFB16400 | BOLT FLANGE, 1/2 X 4 G5 | 4 |
| 8 | YBFB12350 | BOLT FLANGE, 3/8 X 3-1/2 G5 | 10 |
| 9 | YSDR66008 | SCREW, HEX WASHER HEAD, #12-14 X 1-1/4 | 72 |
| 10 | YNFG12006 | NUT FLANGE, 3/8 | 10 |
| 11 | YBFB12003 | BOLT FLANGE, 3/8 X 1 G5 | 1 |
| 12 | YNFG16003 | NUT FLANGE, 1/2 | 4 |



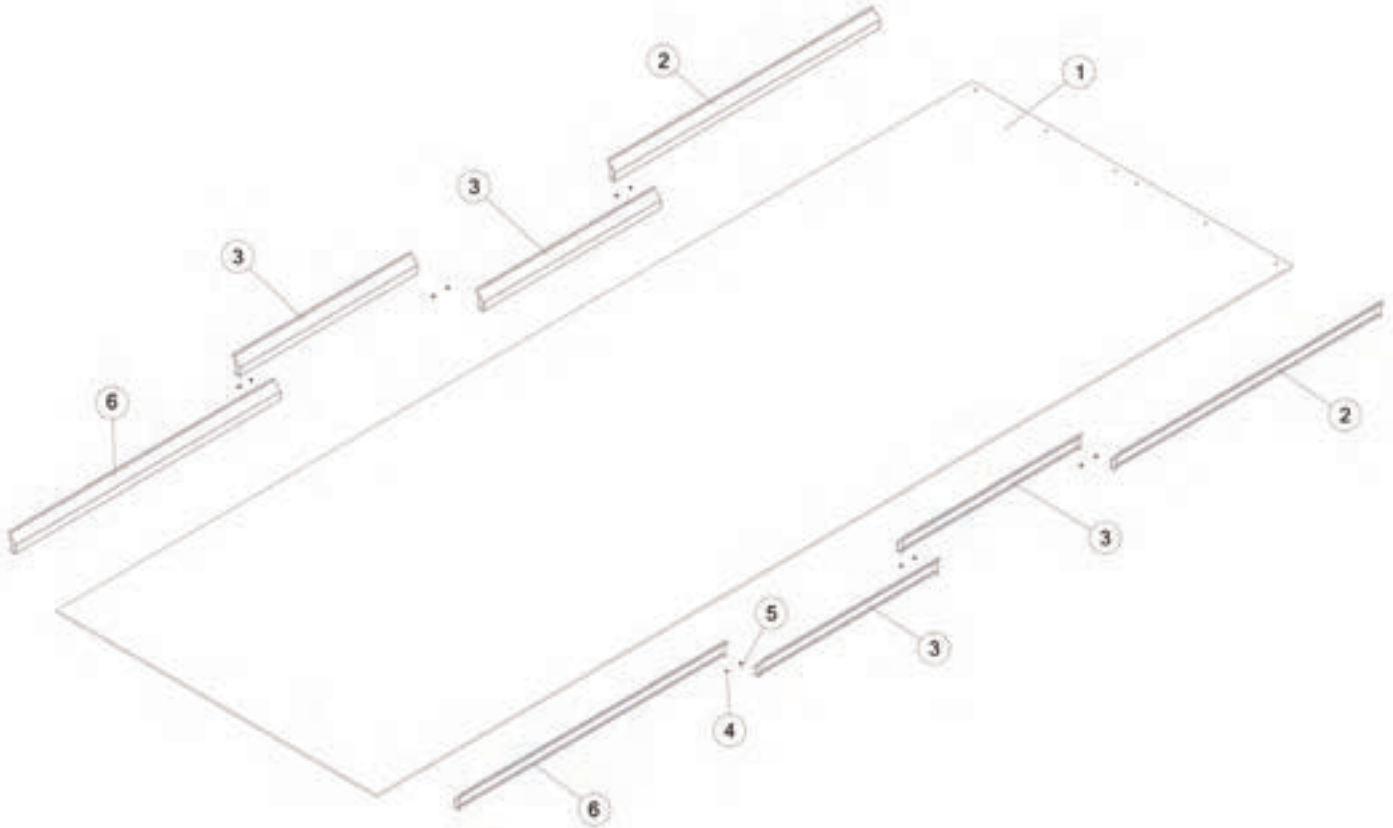
FIGURE 4

SIDE METAL & TOP FILLER PANELS LH



| REF # | PART # | DESCRIPTION | QTY |
|-------|-----------|--|-----|
| 1 | 86694 | TOP RAIL, FRONT LH | 1 |
| 2 | 86503 | TOP RAIL, CENTER, 54 | 1 |
| 3 | 86513 | TOP RAIL, BACK LH | 1 |
| 4 | 86630 | TOP RAIL SPLICE | 1 |
| 5 | 86696 | 4TH BEATER FILLER PANEL LH | 1 |
| 6 | 86692 | PANEL, SIDE, 19 FT BOX | 2 |
| 7 | 86520 | CROSS BRACE, FRONT | 1 |
| 8 | YBFB12350 | BOLT FLANGE, 3/8 X 3-1/2 G5 | 12 |
| 9 | YSDR66008 | SCREW, HEX WASHER HEAD, #12-14 X 1-1/4 | 72 |
| 10 | YNFG12006 | NUT FLANGE, 3/8 GF | 17 |
| 11 | YBFB12003 | BOLT FLANGE, 3/8 X 1 G5 | 1 |
| 12 | YBFB16400 | BOLT FLANGE, 1/2 X 4 G5 | 4 |
| 13 | YNFG16003 | NUT FLANGE, 1/2 | 4 |

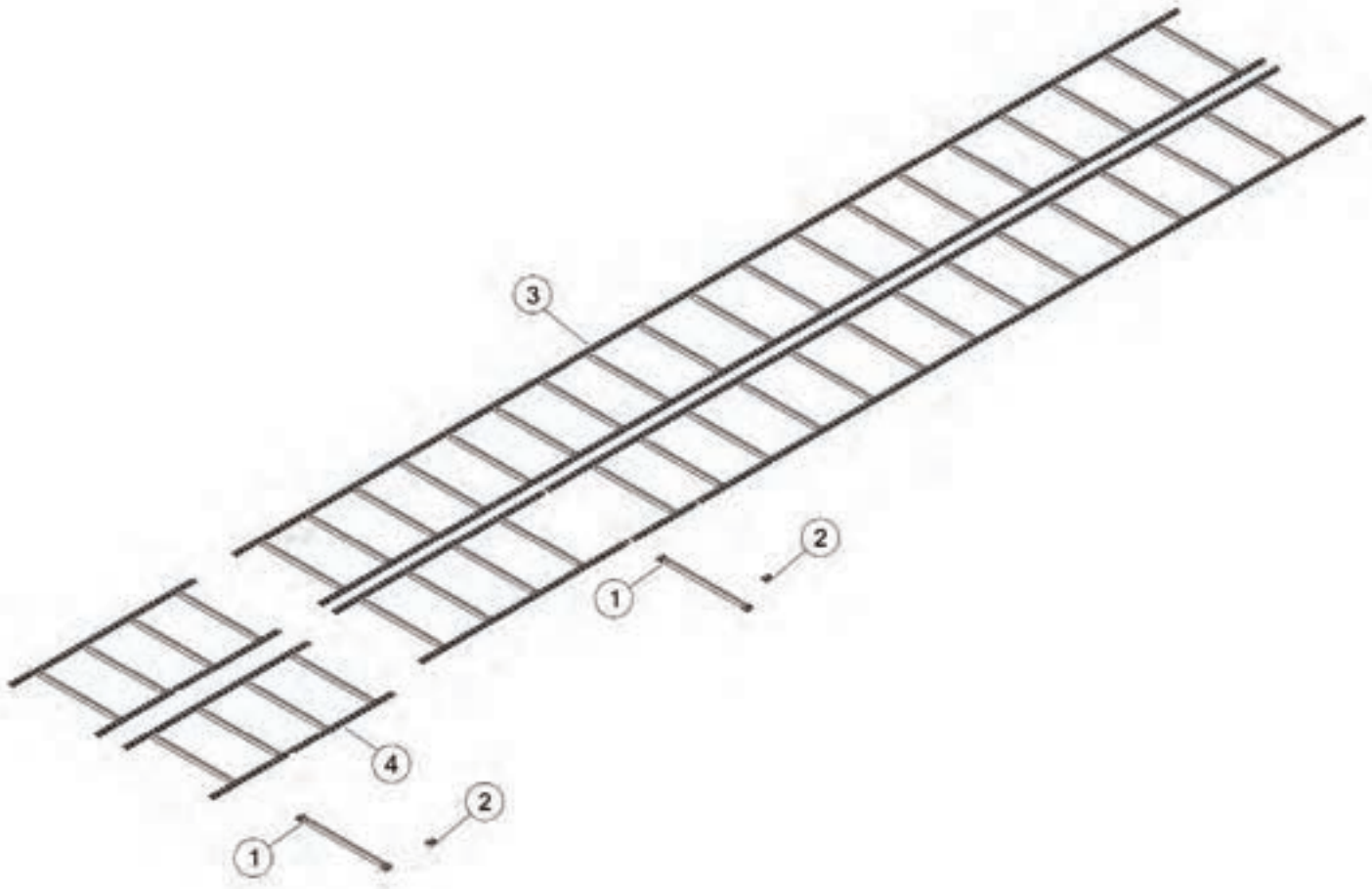




| REF # | PART # | DESCRIPTION | QTY |
|-------|-----------|---------------------------|-----|
| 1 | 83628 | POLY FLOOR | 1 |
| 2 | 83488 | APRON SIDE SPACER | 2 |
| 3 | 83529 | APRON SIDE SPACER | 4 |
| 4 | YBFB08005 | BOLT FLANGE, 1/4 X 1/2 G5 | 6 |
| 5 | YNFG08010 | NUT FLANGE, 1/4 | 6 |
| 6 | 83529 | INSIDE SLANT | 2 |

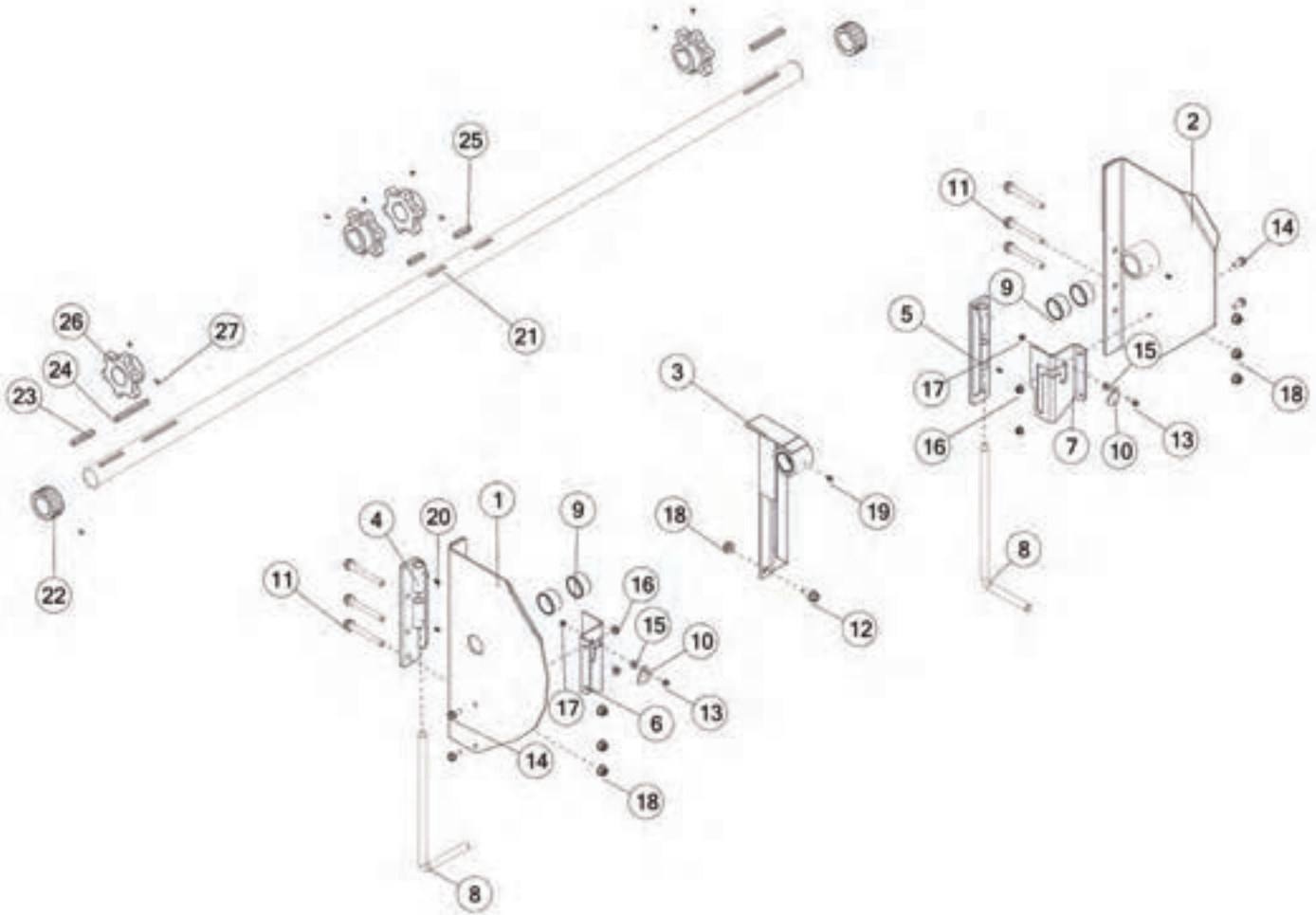


FIGURE 6 APRON CHAIN & COMPONENTS



| REF # | PART # | DESCRIPTION | QTY |
|-------|--------|------------------------------|-----|
| 1 | IFB133 | SLAT, W/ATTACHMENT LINK 667X | ** |
| 2 | IFB134 | CONN LINK W/PIN, 667X | ** |
| 3 | 78755 | APRON CHAIN, 667X X 184 | 2 |
| 4 | 86750 | APRON CHAIN, 667X X 34 | 2 |
| | | ** AS NEEDED | |







FIGURE

REAR DRIVE SHAFT & COMPONENTS

| REF # | PART # | DESCRIPTION | QTY |
|-------|-----------|---|-----|
| 1 | 94244 | DRIVE SHAFT MOUNT LH | 1 |
| 2 | 94242 | DRIVE SHAFT MOUNT RH | 1 |
| 3 | 73790 | CENTER BEARING BRACKET | 1 |
| 4 | 76990 | DOOR LOCK BACK LH | 1 |
| 5 | 77032 | DOOR LOCK BACK RH | 1 |
| 6 | 77197 | DOOR LOCK BRACKET BACK LH | 1 |
| 7 | 77206 | DOOR LOCK BRACKET BACK RH | 1 |
| 8 | 76986 | BENT PIN, 0.75, 16.8 | 2 |
| 9 | 72652 | BRONZE BUSHING | 4 |
| 10 | 77200 | LOCKING TAB | 2 |
| 11 | YBFB16450 | BOLT FLANGE, 1/2 X 4-1/2 G5 | 6 |
| 12 | YBFB16125 | BOLT FLANGE, 1/2 X 1-1/4 G5 | 1 |
| 13 | YBFB08100 | BOLT FLANGE, 1/4 X 1 G5 | 2 |
| 14 | YBFB12003 | BOLT FLANGE, 3/8 X 1 G5 | 4 |
| 15 | YWFL08005 | WASHER, FLAT, 1/4 | 4 |
| 16 | YNFG12006 | NUT FLANGE, 3/8 | 4 |
| 17 | YNFG08010 | NUT FLANGE, 1/4 | 2 |
| 18 | YNFG16003 | NUT FLANGE, 1/2 | 6 |
| 19 | G89 | STRAIGHT ZERK 1/4-28 X 90 | 1 |
| 20 | MS26 | SHORT SHANK ZERK-STRAIGHT | 4 |
| 21 | 73000 | DRIVE SHAFT | 1 |
| 22 | 72998 | LATCH SPROCKET | 2 |
| 23 | 0209MS08 | SQUARE KEY, 3/8 X 2-7/8 | 1 |
| 24 | PB133 | SQUARE KEY, 3/8 X 4-3/8 | 2 |
| 25 | PB87 | SQUARE KEY, 3/8 X 2 | 2 |
| 26 | 72669 | SPROCKET, 6T | 4 |
| 27 | YSKP12025 | SCREW SET SCKT, KNURLED CUP PT, 3/8 X 3/8 | 10 |
| | | | |
| | | | |
| | | | |
| | | | |
| | | | |
| | | | |
| | | | |
| | | | |
| | | | |
| | | | |
| | | | |
| | | | |



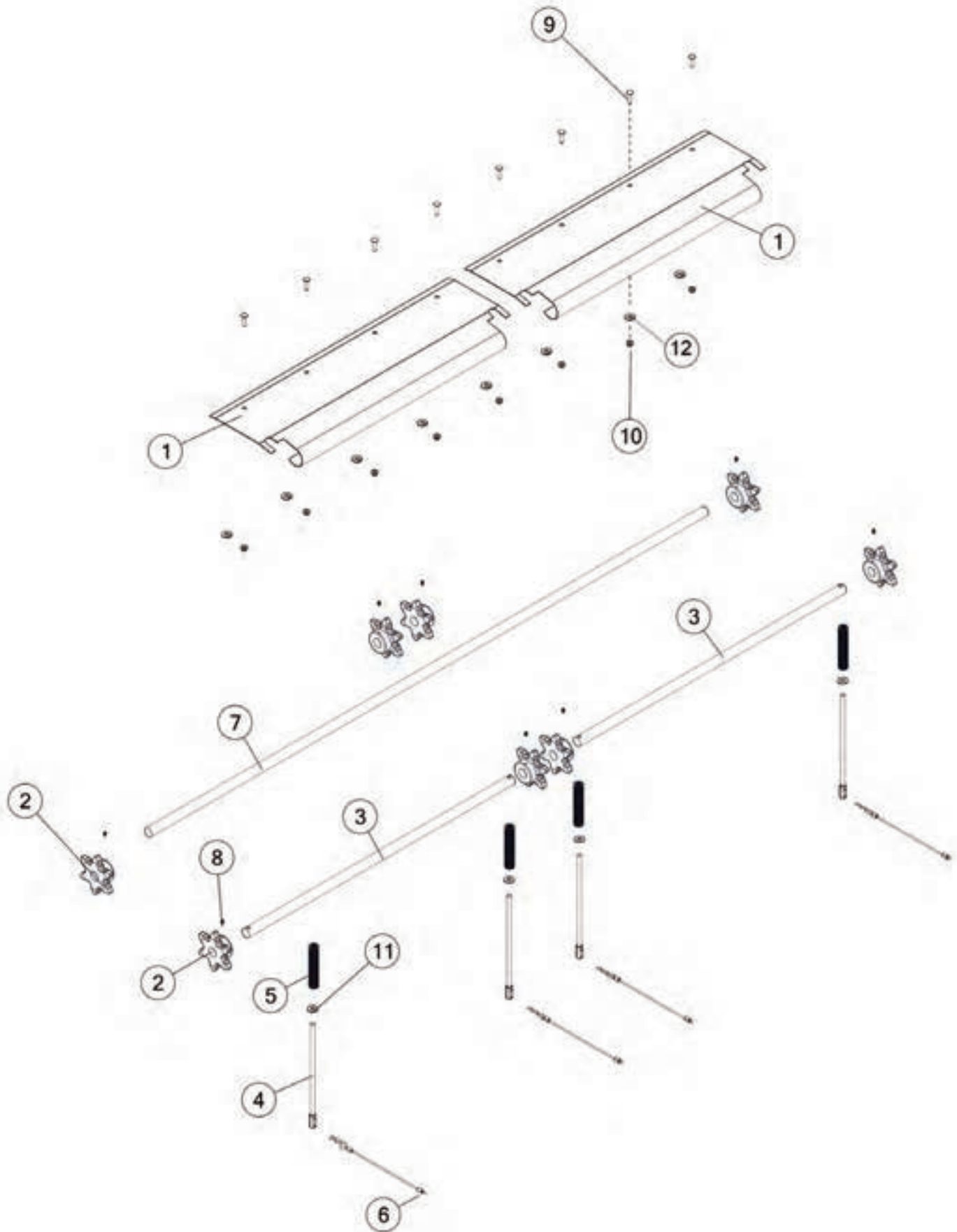




FIGURE 8 IDLER SHAFTS & COMPONENTS

| REF # | PART # | DESCRIPTION | QTY |
|-------|-----------|----------------------------------|-----|
| 1 | 93189 | SHAFT SEAL | 2 |
| 2 | JB10 | APRON IDLER SPROCKET | 8 |
| 3 | PB89 | TIGHTENER SHAFT | 2 |
| 4 | 57589 | TIGHTNER BOLT | 4 |
| 5 | 57577 | HEAVY LOAD SPRING | 4 |
| 6 | 57616 | LANYARD W/HAIR PIN | 4 |
| 7 | PB90 | IDLER SHAFT | 1 |
| 8 | G89 | STRAIGHT ZERK 1/4-28 X 90 | 8 |
| 9 | YBCR12015 | BOLT CARRIAGE, 3/8-16 X 1-1/2 G5 | 8 |
| 10 | YNFG12006 | NUT FLANGE, 3/8 | 8 |
| 11 | YWFL16005 | WASHER FLAT, 1/2 | 4 |
| 12 | D107 | SPACER | 8 |
| | | | |
| | | | |
| | | | |
| | | | |
| | | | |
| | | | |
| | | | |
| | | | |
| | | | |
| | | | |
| | | | |
| | | | |
| | | | |
| | | | |
| | | | |
| | | | |
| | | | |
| | | | |
| | | | |
| | | | |
| | | | |
| | | | |
| | | | |
| | | | |
| | | | |
| | | | |
| | | | |



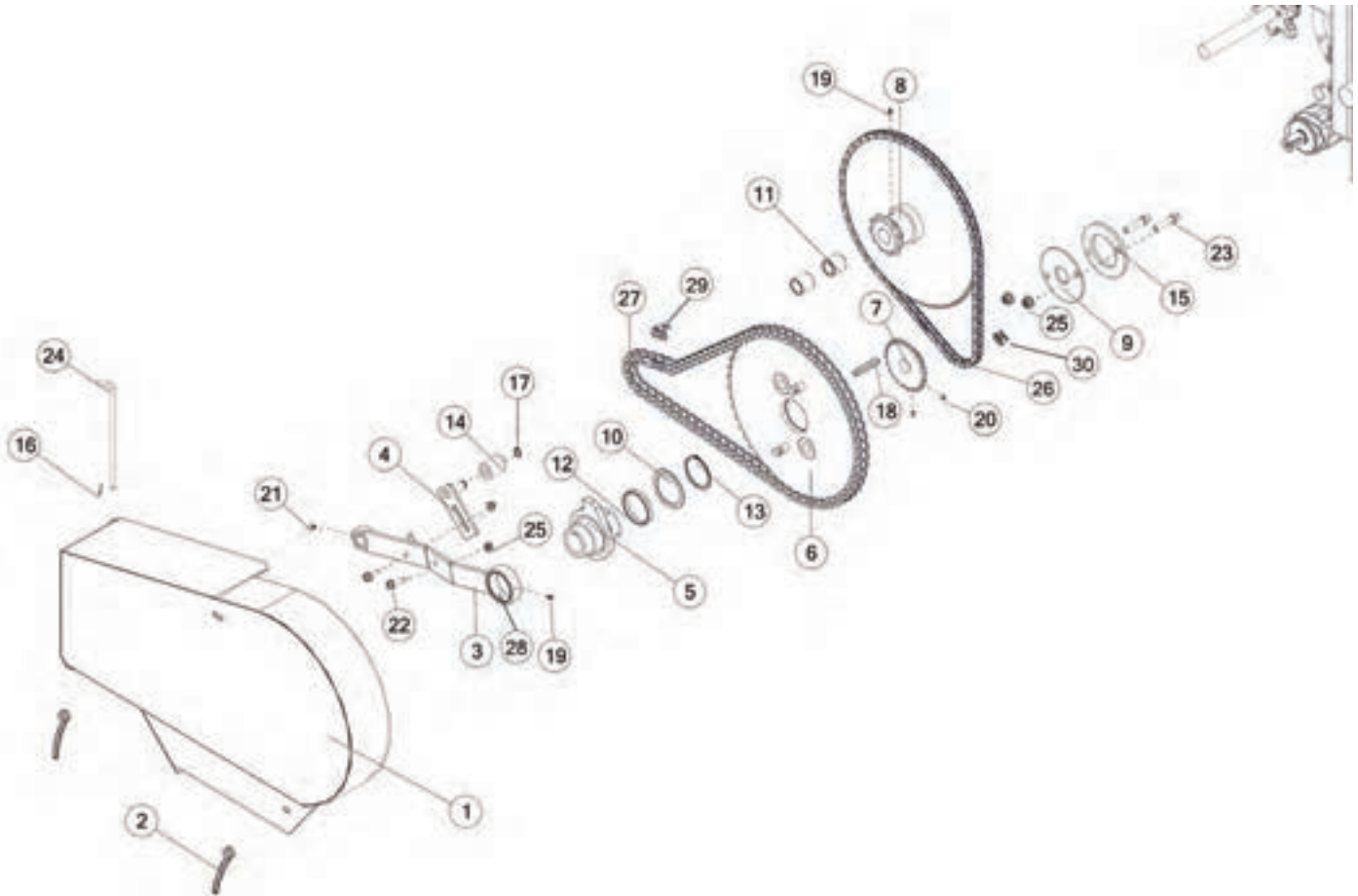


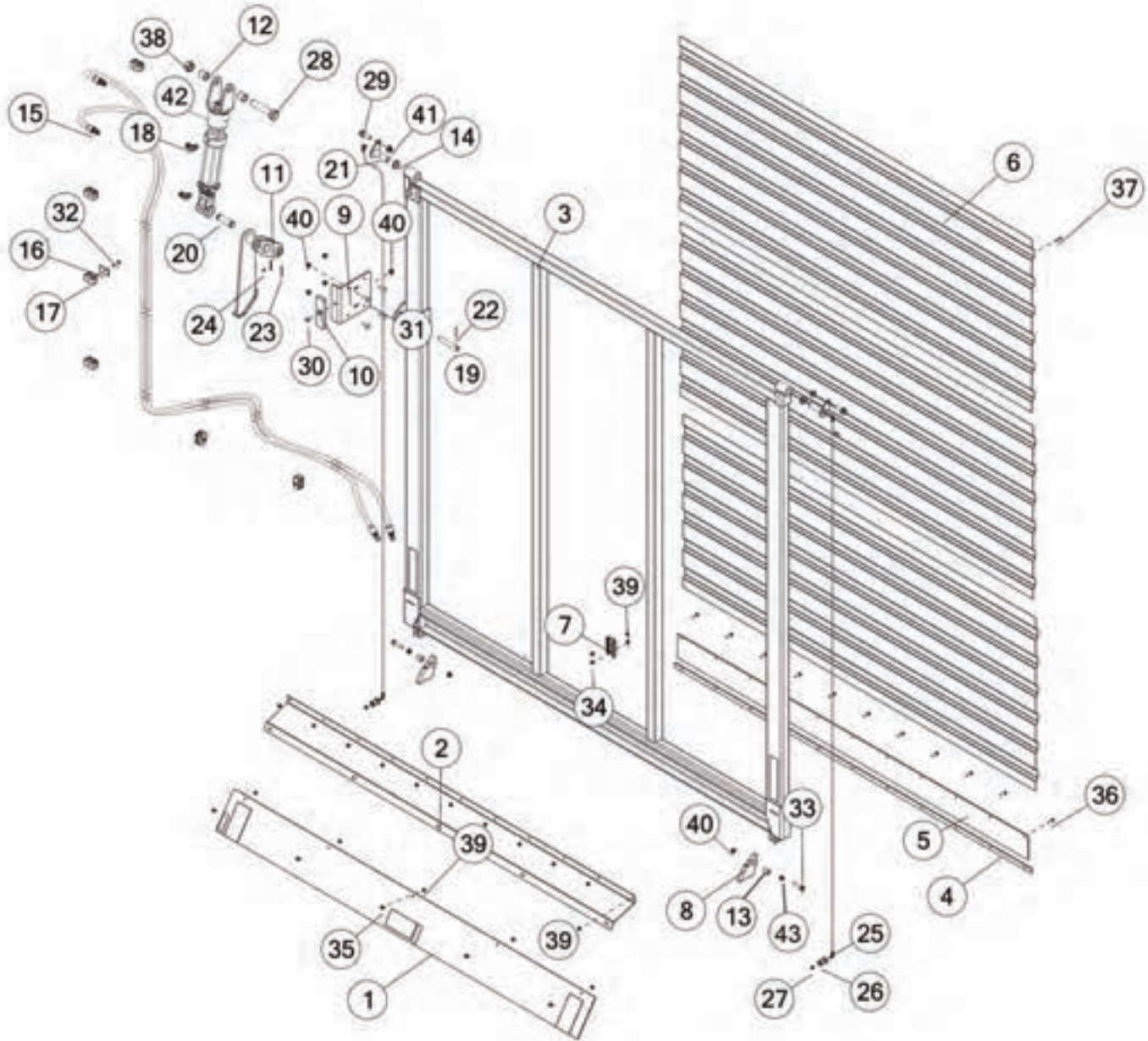


FIGURE 9

REAR DRIVE SPROCKETS & COMPONENTS

| REF # | PART # | DESCRIPTION | QTY |
|-------|-----------|--|-----|
| 1 | 93344B | SHAFT SHIELD W/DECALS, REAR | 1 |
| 2 | S192 | HANDLE NUT | 2 |
| 3 | 86651 | DRIVE BRACE, BACK | 1 |
| 4 | L10R35 | TIGHTENER BRACKET | 1 |
| 5 | 72831 | CLUTCH DOG, BACK | 1 |
| 6 | 72832 | DRIVE SPROCKET | 1 |
| 7 | ST28 | SPROCKET, 50B24 | 1 |
| 8 | 61068 | SPROCKET, 84T TO 11T (50A84) | 1 |
| 9 | PB260 | MOTOR MOUNT | 1 |
| 10 | 72712 | CLUTCH SPROCKET SHIM | 1 |
| 11 | G16 | BUSHING, BRONZE | 2 |
| 12 | 72705 | BUSHING, BRONZE | 1 |
| 13 | SD202 | EXTERNAL SNAP RING | 1 |
| 14 | 23N238 | CHAIN TIGHTENER ROLLER | 1 |
| 15 | PB261 | SPACER | 1 |
| 16 | YPCT05005 | COTTER PIN, 5/32 X 1 | 1 |
| 17 | 10R32 | EXTERNAL SNAP RING | 1 |
| 18 | 0209MS08 | SQUARE KEY, 3/8 X 2-7/8 | 1 |
| 19 | G89 | STRAIGHT ZERK 1/4-28 X 90 | 2 |
| 20 | YSKP10010 | SCREW SOCKET, KNURLED CUP PT, 5/16 X 3/8 | 2 |
| 21 | YSKP12010 | SCREW SOCKET, KNURLED CUP PT, 3/8 X 1/2 | 1 |
| 22 | YBFB12125 | BOLT FLANGE, 3/8 X 1-1/4 G5 | 2 |
| 23 | YSHS16020 | BOLT SOCKET, 1/2-13 X 2-1/4 | 2 |
| 24 | PB100 | SHIELD HINGE PIN | 1 |
| 25 | YNFG16003 | NUT FLANGE, 1/2 | 4 |
| 26 | PB114 | ROLLER CHAIN | 1 |
| 27 | SD292 | ROLLER CHAIN | 1 |
| 28 | PB95 | SPROCKET 84T TO 11T | 1 |
| * | 72841 | BUSHING | 1 |
| * | F157 | CONNECTING LINK | 1 |
| * | X61 | CONNECTING LINK | 1 |
| | | | |
| | | | |
| | | | |
| | | | |
| | | | |
| | | | |
| | | | |





| REF # | PART # | DESCRIPTION | QTY |
|-------|--------|--------------------|-----|
| 1 | IFB60B | POLY SHIELD | 1 |
| 2 | IFB59 | POLY SHIELD HOLDER | 1 |
| 3 | 60171 | DOOR, BACK | 1 |
| 4 | S288 | RUBBER SEAL STRAP | 1 |
| 5 | PB54 | RUBBER SEAL | 1 |
| 6 | 86432 | DOOR PANEL, BACK | 3 |
| 7 | F97 | SMV BRACKET | 1 |
| 8 | 59883 | LATCH BRACKET | 2 |
| 9 | 83194 | STRIKER BRACKET | 1 |

| REF # | PART # | DESCRIPTION | QTY |
|-------|-----------|-------------------------------------|-----|
| 10 | 0231PL01 | POLY BUMPER | 1 |
| 11 | 177291 | PIVOT | 1 |
| 12 | 77434 | SPACER | 2 |
| 13 | 61020 | LATCH PIVOT | 2 |
| 14 | S345 | PULLEY SPACER | 2 |
| 15 | 86628 | HYDRAULIC HOSE, 6 X 190 | 2 |
| 16 | 56563 | CLAMP TOP PLATE | 8 |
| 17 | CHM278 | CLAMP HALF, 3/8 HOSE (SET OF 2) | 8 |
| 18 | 80591 | SWIVEL ELBOW CONNECTOR | 2 |
| 19 | 83190 | PIVOT PIN | 1 |
| 20 | T143 | HYDRAULIC CYLINDER PIN | 1 |
| 21 | IFB3 | DOOR HINGE PIN | 2 |
| 22 | YPEX08015 | EXPANSION PIN, 1/4 X 1 3/4 | 1 |
| 23 | YPCT05010 | COTTER PIN, 5/32 X 1-1/2 | 2 |
| 24 | G89 | STRAIGHT ZERK 1/4-28 X 90 | 1 |
| 25 | 86632 | GREASE LINE | 1 |
| 26 | 86537 | FITTING, ST BH, 1/8 NPTF X 1/8 NPTF | 2 |
| 27 | BFR28 | GREASE ZERK, 1/8 | 2 |
| 28 | YBHH32020 | BOLT HEX, 1"-8 X 5 G5 | 1 |
| 29 | YBFB16175 | BOLT FLANGE, 1/2 X 1-3/4 G5 | 2 |
| 30 | YBHH12010 | BOLT HEX, 3/8 X 1 G5 | 1 |
| 31 | YBCR12020 | BOLT CARRIAGE, 3/8-16 X 1-1/4 G5 | 4 |
| 32 | 56568 | CLAMP BOLT, 5/16 x 1-3/8 | 7 |
| 33 | YSFS16025 | BOLT,FLAT SOK,1/2 X 2 | 2 |
| 34 | YBFB08005 | BOLT FLANGE, 1/4 X 1/2 G5 | 2 |
| 35 | YBFB08075 | BOLT FLANGE, 1/4 X 3/4 G5 | 5 |
| 36 | YBFB08100 | BOLT FLANGE, 1/4 X 1 G5 | 11 |
| 37 | YSDR66008 | SCREW, HEX WASHER HEAD, 1-1/4 | 1 |
| 38 | YNTL32005 | NUT HEX, 1-8 | 2 |
| 39 | YNFG08010 | NUT FLANGE, 1/4 | 17 |
| 40 | YNFG12006 | NUT FLANGE, 3/8 | 5 |
| 41 | YNFG16003 | NUT FLANGE, 1/2 | 2 |
| 42 | 76902 | HYDRAULIC CYLINDER | 1 |
| * | 76445 | SPRING | 1 |
| * | 76437 | CLEVIS | 1 |
| * | 77431 | CYLINDER TUBE | 1 |
| * | YSKP10010 | SCREW SET, SOCKET, 5/16 X 3/8 | 1 |
| * | 77355 | POLY BUSHING | 1 |
| 43 | YNNJ16005 | NUT JAM, 1/2 G2 | 2 |



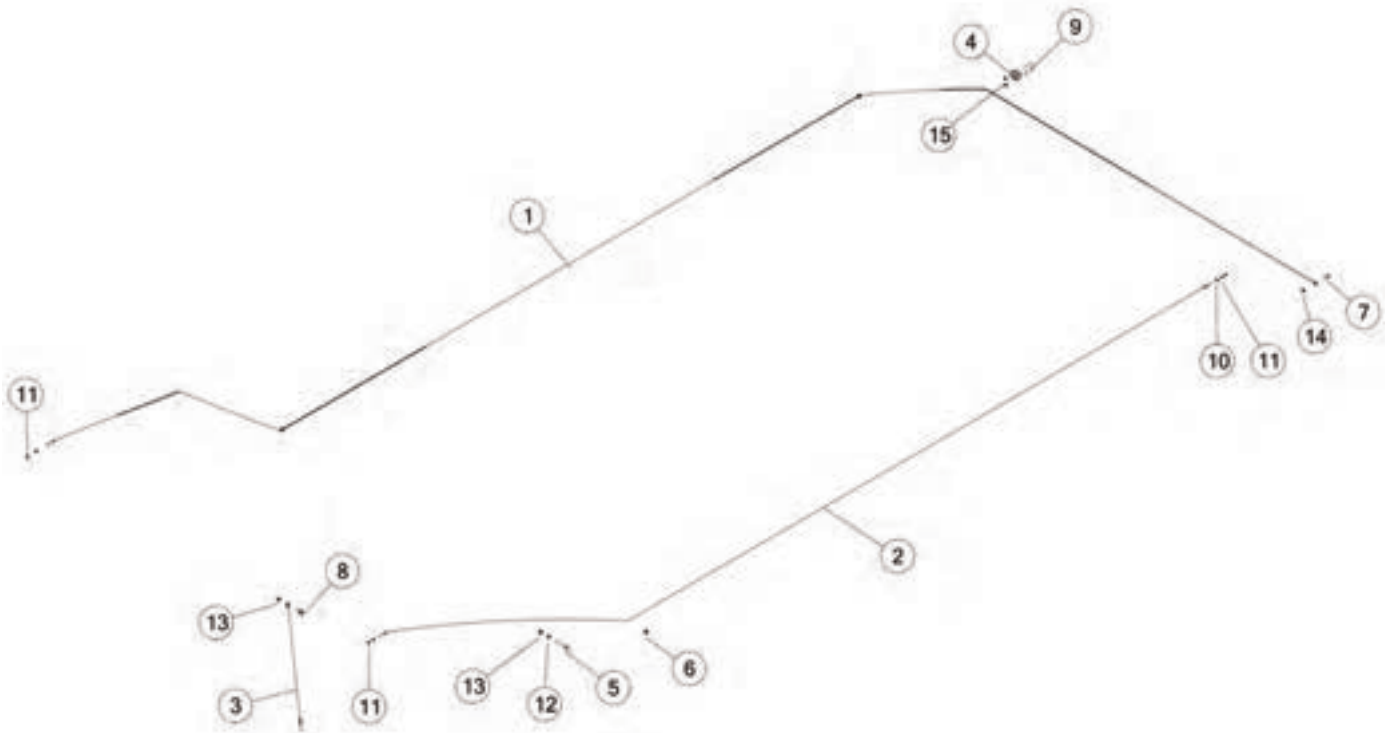




FIGURE 11

SAFETY CABLE & COMPONENTS

| REF # | PART # | DESCRIPTION | QTY |
|-------|-----------|------------------------------|-----|
| 1 | 80810 | EMERGENCY STOP CABLE RH | 1 |
| 2 | 80804 | EMERGENCY STOP CABLE LH | 1 |
| 3 | 80576 | EMERGENCY STOP CABLE | 1 |
| 4 | F33 | SIDE CABLE GUIDE | 1 |
| 5 | YBTE12015 | BOLT TURNED EYE, 3/8 X 2-1/2 | 1 |
| 6 | 85283 | GROMMET | 3 |
| 7 | YBFB10001 | BOLT FLANGE, 5/16 X 1 G5 | 1 |
| 8 | YBFB12003 | BOLT FLANGE, 3/8 X 1 G5 | 1 |
| 9 | YBPU08005 | PIPE U BOLT, 1/4 X 3/4 | 1 |
| 10 | YWFL08005 | WASHER FLAT, 1/4 | 1 |
| 11 | YNHX08006 | NUT HEX, 1/4 G5 | 6 |
| 12 | YNHX12005 | NUT HEX, 3/8 | 1 |
| 13 | YNFG12006 | NUT FLANGE, 3/8 | 2 |
| 14 | YNFG10005 | NUT FLANGE, 5/16 | 1 |
| 15 | YNFG08010 | NUT FLANGE, 1/4 | 2 |

| | | | |
|--|--|--|--|
| | | | |
| | | | |
| | | | |
| | | | |
| | | | |
| | | | |
| | | | |
| | | | |
| | | | |
| | | | |
| | | | |
| | | | |
| | | | |
| | | | |
| | | | |
| | | | |
| | | | |
| | | | |
| | | | |
| | | | |
| | | | |



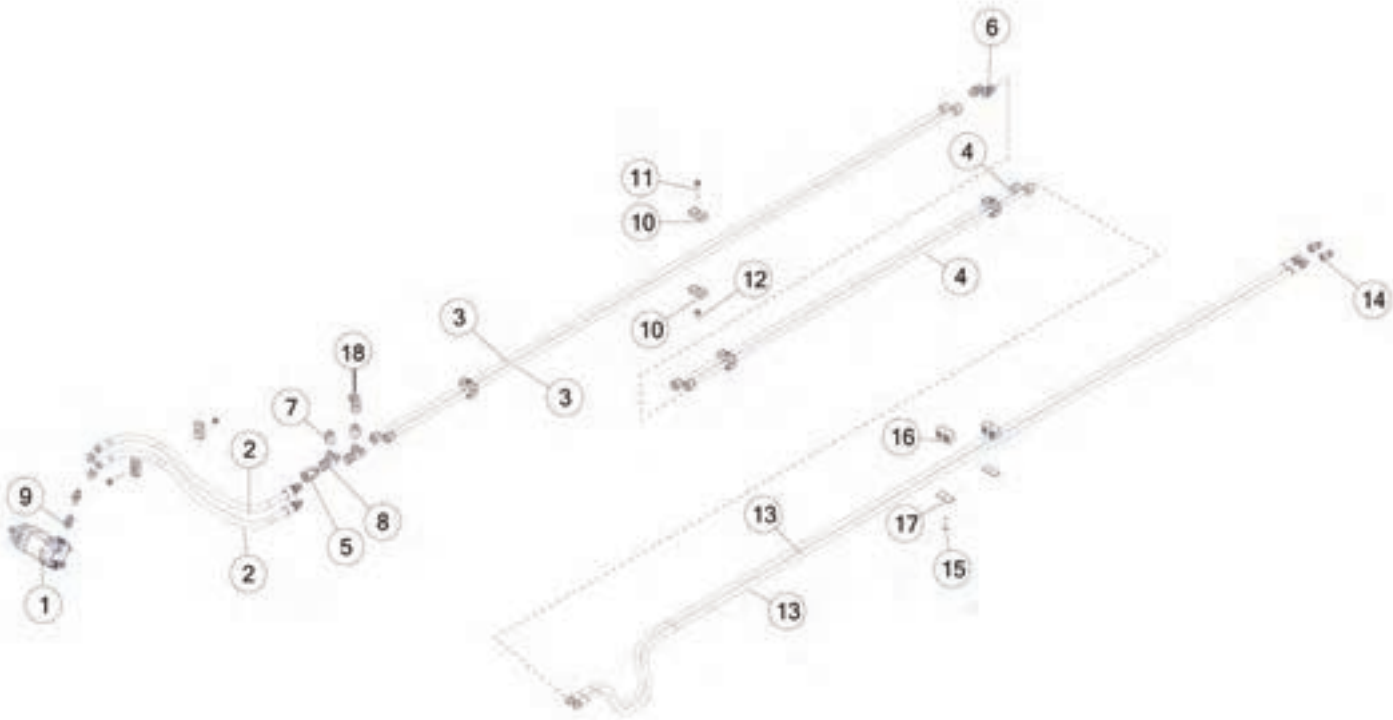




FIGURE 12

HYDRAULICS

| REF # | PART # | DESCRIPTION | QTY |
|-------|-----------|-------------------------------------|-----|
| 1 | 16SV150 | HYDRAULIC MOTOR | 1 |
| 2 | 86465 | HYDRAULIC HOSE, 10, 46 | 2 |
| 3 | 86473 | HYDRAULIC TUBE, 3/4 X 120 | 2 |
| 4 | 86475 | HYDRAULIC TUBE, 3/4 X 72 | 2 |
| 5 | 86477 | HYDRAULIC CHECK VALVE, 3/4 | 1 |
| 6 | CHM189 | FITTING ST, 12 JIC, 12 JIC | 2 |
| 7 | 86540 | FITTING, STRAIGHT, 12JIC X 6JIC | 2 |
| 8 | CHM180 | FITTING, TEE, 12JIC X 12JIC X 12JIC | 2 |
| 9 | GM57 | FITTING, ST, 10JIC, 10ORB, STL | 2 |
| 10 | 86567 | DOUBLE CLAMP, UNIVERSAL | 10 |
| 11 | YBFB12250 | BOLT FLANGE, 3/8 X 2-1/2 G5 | 10 |
| 12 | YNFG12006 | NUT FLANGE, 3/8 | 10 |
| 13 | 73578 | HYDRAULIC HOSE, 8 X 171 | 2 |
| 14 | 67148 | QUICK COUPLERS | 2 |
| 15 | 56569 | CLAMP BOLTS, 5/16 X 1-3/4 | 2 |
| 16 | 56596 | CLAMP CUSHION | 2 |
| 17 | 56564 | CLAMP TOP PLATE | 2 |
| 18 | 60062 | FITTING, SWIVEL NUT ELBOW, 3/8 | 1 |
| | | | |
| | | | |
| | | | |
| | | | |
| | | | |
| | | | |
| | | | |
| | | | |
| | | | |
| | | | |
| | | | |
| | | | |
| | | | |
| | | | |
| | | | |
| | | | |
| | | | |
| | | | |
| | | | |
| | | | |
| | | | |



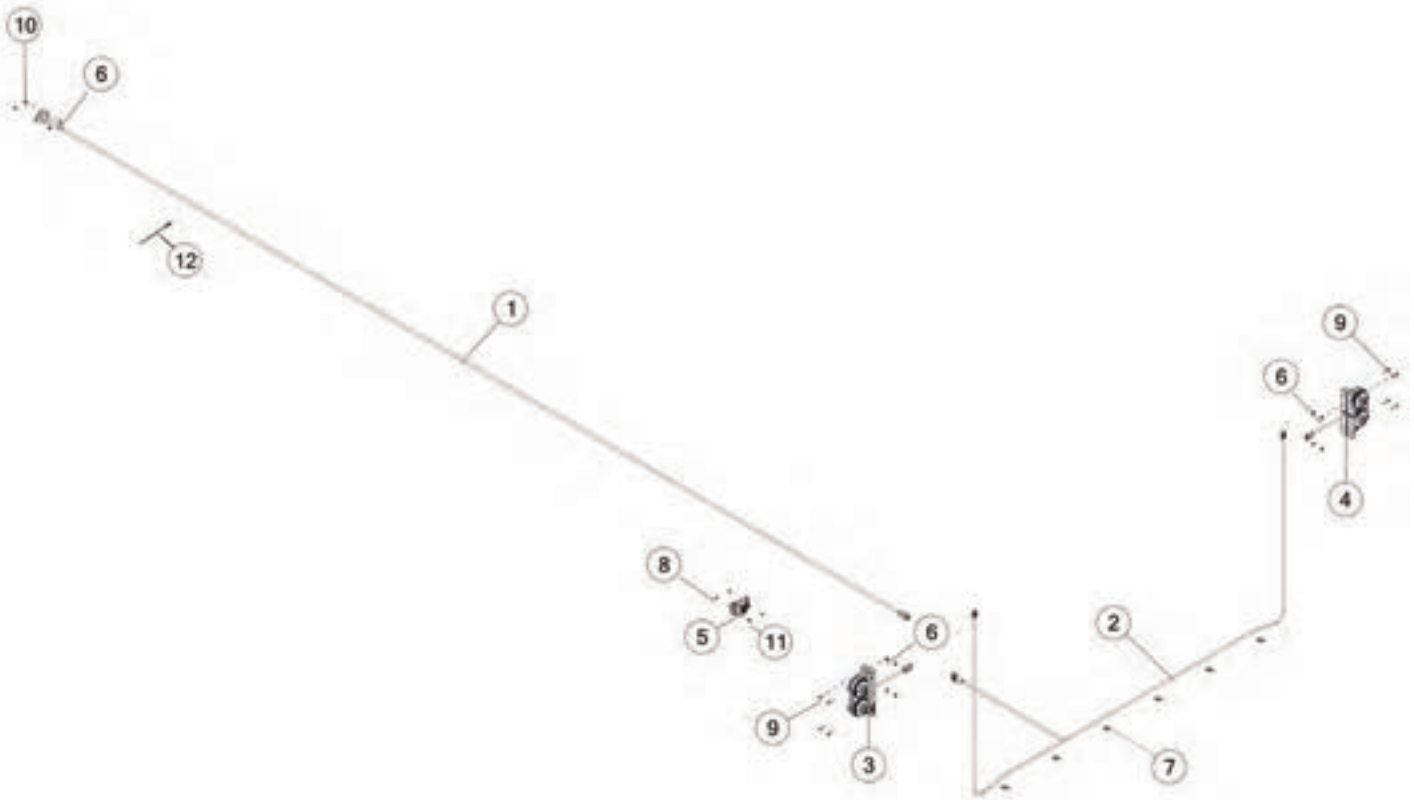
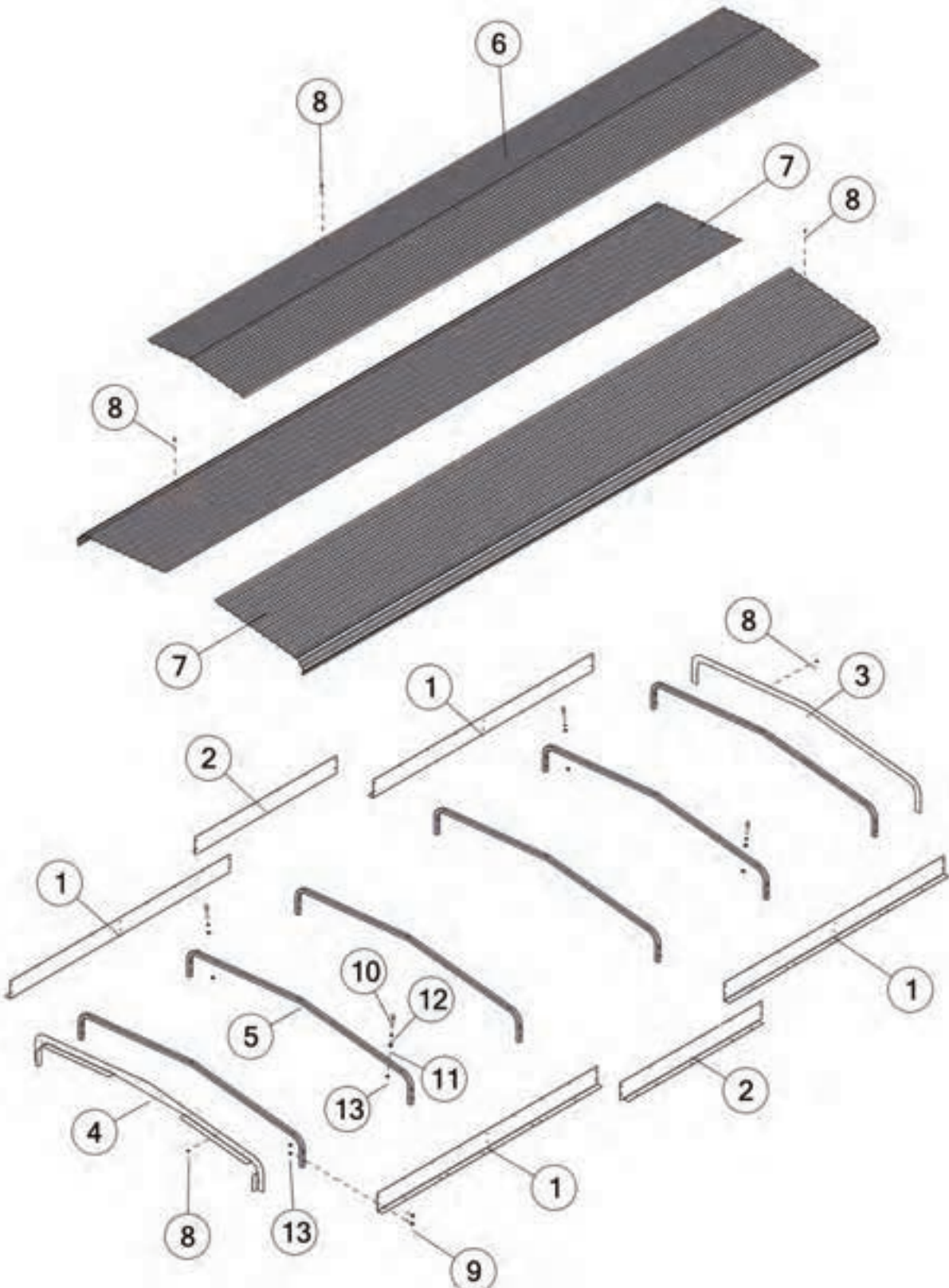




FIGURE 13
LIGHTS

| REF # | PART # | DESCRIPTION | QTY |
|-------|-----------|--------------------------|-----|
| 1 | BFR668 | LIGHT HARNESS, FRONT | 1 |
| 2 | 78360 | LIGHT HARNESS, BACK | 1 |
| 3 | 77923 | TAIL LIGHT LH | 1 |
| 4 | 77924 | TAIL LIGHT RH | 1 |
| 5 | 72755 | MODULE | 1 |
| 6 | YNFG08010 | NUT FLANGE, 1/4 | 10 |
| 7 | 56021 | METAL WIRE CLIP | 6 |
| 8 | YNNY64005 | NUT HEX, #10-24 G2 | 3 |
| 9 | YBHH08035 | BOLT HEX, 1/4 X 1-1/4 | 8 |
| 10 | YBFB08075 | BOLT FLANGE 1/4 X 3/4 G5 | 2 |
| 11 | YSPN64005 | SCREW PAN HEAD, 10 X 5/8 | 3 |
| 12 | CIZT101 | ZIPTIE | 19 |
| | | | |
| | | | |
| | | | |
| | | | |
| | | | |
| | | | |
| | | | |
| | | | |
| | | | |
| | | | |
| | | | |
| | | | |
| | | | |
| | | | |
| | | | |
| | | | |
| | | | |
| | | | |
| | | | |
| | | | |
| | | | |





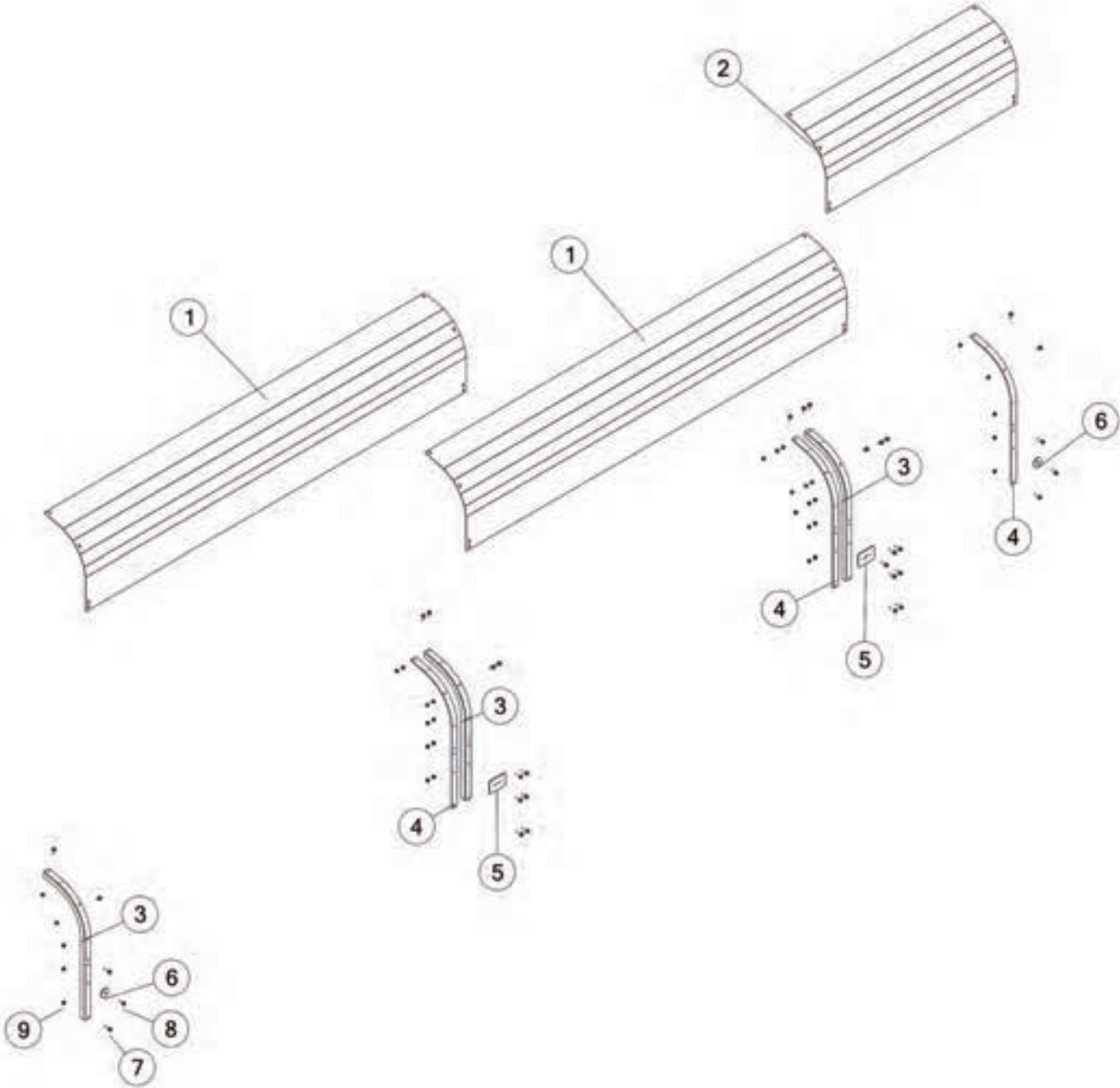




FIGURE 15

OPTIONAL ROOF HOOD

| REF # | PART # | DESCRIPTION | QTY |
|-------|-----------|--|-----|
| 1 | 86789 | ROOF EDGE RADIUS | 2 |
| 2 | 86834 | ROOF EDGE RADIUS | 1 |
| 3 | 86756 | ROOF RADIUS SUPPORT LH | 3 |
| 4 | 86755 | ROOF RADIUS SUPPORT RH | 3 |
| 5 | 82969 | ROOF HOOD SCREEN WASHER | 2 |
| 6 | YWCU12005 | WASHER FLAT, .435 ID. X 1-7/8 OD. X .125 | 2 |
| 7 | YBFB10125 | BOLT FLANGE, 5/16 X 1-1/4 G5 | 13 |
| 8 | YBFB10001 | BOLT FLANGE, 5/16 X 1 G5 | 20 |
| 9 | YNFG10005 | NUT FLANGE, 5/16 | 33 |
| | | | |
| | | | |
| | | | |
| | | | |
| | | | |
| | | | |
| | | | |
| | | | |
| | | | |
| | | | |
| | | | |
| | | | |
| | | | |
| | | | |
| | | | |
| | | | |
| | | | |
| | | | |
| | | | |
| | | | |
| | | | |
| | | | |
| | | | |
| | | | |
| | | | |
| | | | |
| | | | |
| | | | |
| | | | |
| | | | |
| | | | |
| | | | |



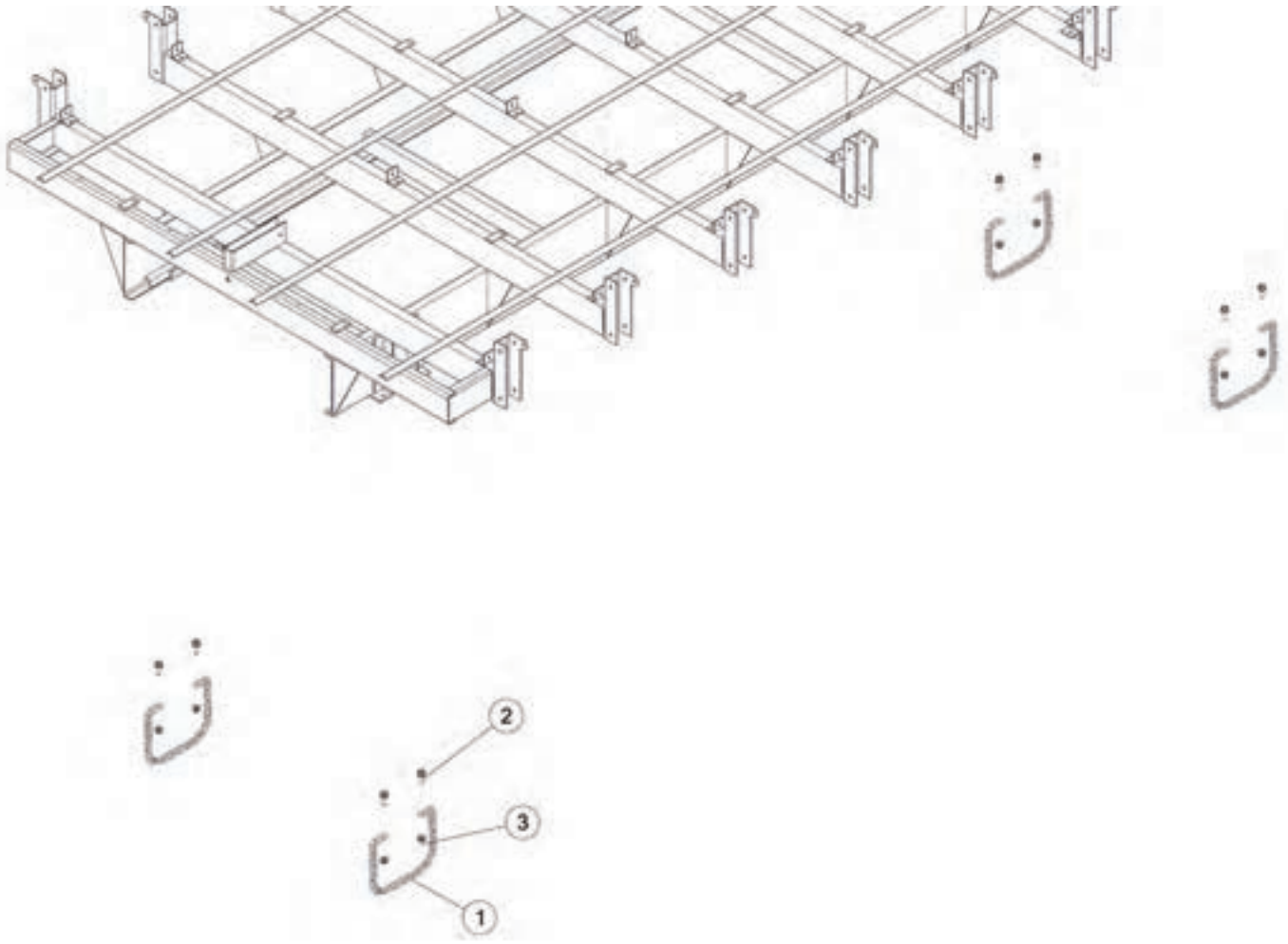
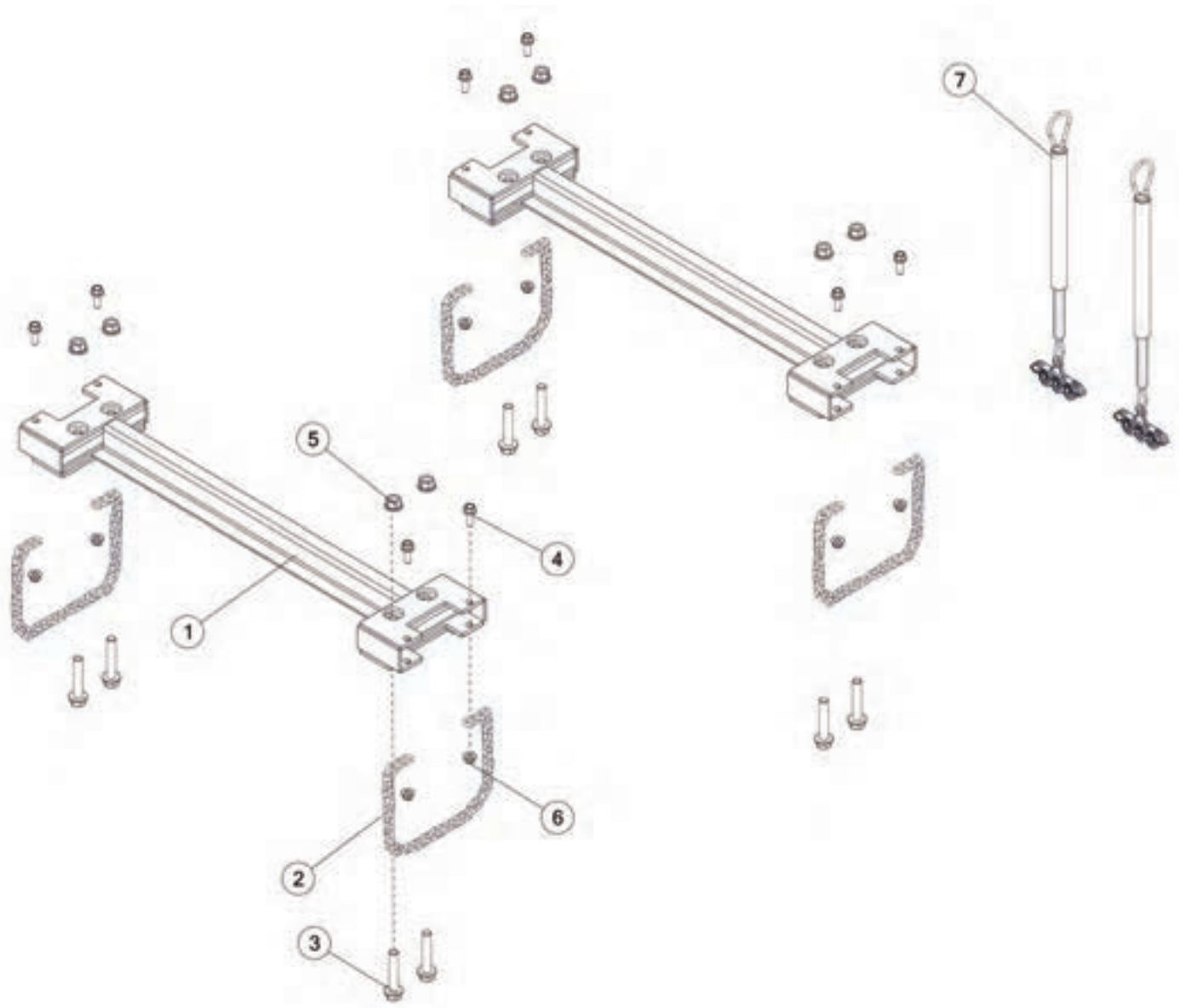
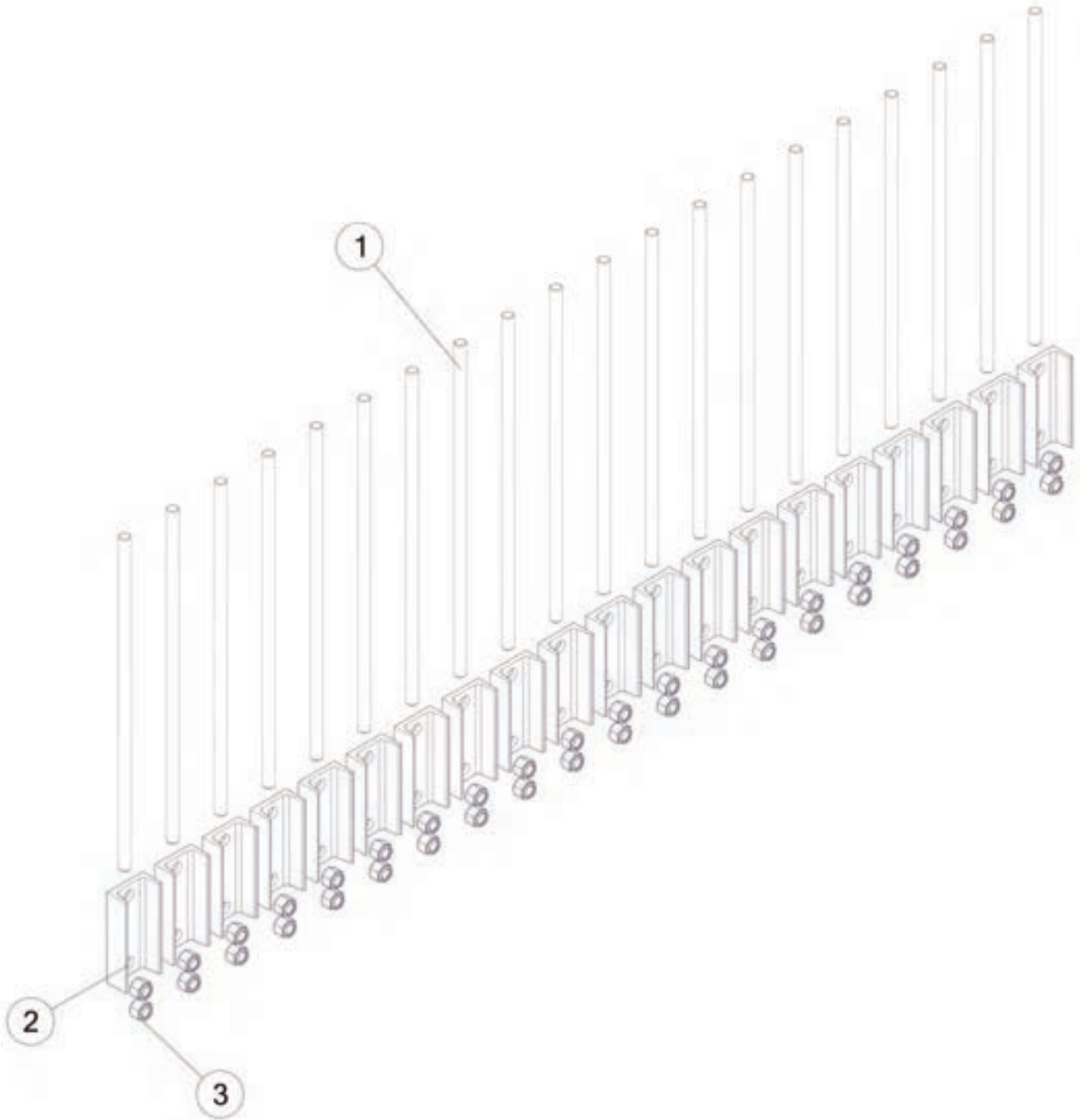




FIGURE 17

42 INCH CONVERSION KIT





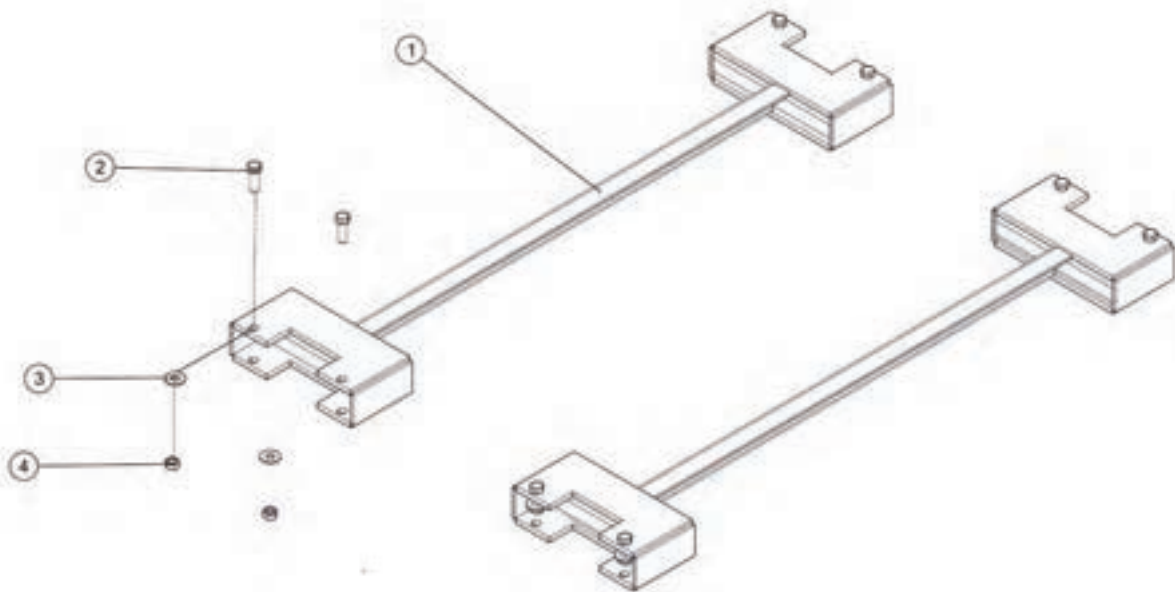




FIGURE 19
OPTIONAL RGORK1 - RUNNING GEAR RISER KIT

| REF # | PART # | DESCRIPTION | QTY |
|-------|-----------|-----------------------------|-----|
| 1 | 94763 | RISER WELD | 2 |
| 2 | YBHH16030 | BOLT HEX, 1/2-13 X 1-1/2 G5 | 8 |
| 3 | YWFL16005 | WASHER FLAT, 1/2 | 8 |
| 4 | YNTL16005 | NUT HEX, 1/2-13 LKTL C ZC | 8 |
| | | | |
| | | | |
| | | | |
| | | | |
| | | | |
| | | | |
| | | | |
| | | | |
| | | | |
| | | | |
| | | | |
| | | | |
| | | | |
| | | | |
| | | | |
| | | | |
| | | | |
| | | | |
| | | | |
| | | | |
| | | | |
| | | | |
| | | | |
| | | | |









Manufactured By:

H&S MANUFACTURING CO., INC.

2608 S. HUME AVE. MARSHFIELD, WI 54449
(715) 387-3414 | hsmfgco.com

