



GM 170

PARTS BOOK



Revision #6
Starting Serial #410333

HSMFG1113

Part #59742

Manufactured By
H&S MANUFACTURING CO., INC.

P.O. BOX 768 (715) 387-3414 FAX (715) 384-5463
MARSHFIELD, WISCONSIN 54449

CONTENTS

Instructions for Ordering Parts	1
Figure 1 - Frame	2-5
Figure 2 - Tank	6-9
Figure 3 - Concentrate Hopper & Collector	10-11
Figure 4 - Drive Line	12-15
Figure 5 - Mill	16-19
Figure 6 - Mill Cylinder	20-21
Figure 7 - Conveyor Drive	22-25
Figure 8 - Unloading Auger	26-27
Figure 9 - 12' Unloading Auger	28
Figure 10 - Shields	29
Figure 11 - Oiler	30-31
Figure 12 - Auger Circuit	32-33
Figure 13 - Auger Swing Circuit	34
Figure 14 - Auger Lift Circuit	35
Figure 15 - Gearbox	36-37
Figure 16 - Infeed Conveyor Pivot	38-39
Figure 17 - Infeed Conveyor	40-43
Figure 18 - Infeed Auger Circuit	44
Figure 19 - 3' & 6' Auger Extension	45
Figure 20 - Optional Lights	46-47
Figure 21 - Optional Scale	48
Figure 22 - Hydraulic Cylinder	49
Figure 23 - PTO	50
Figure 24 - PTO European	51
Figure 25 - Optional Hi Moisture Kit (540 & 1000 RPM)	52-53
Parts Notes	54

INSTRUCTIONS FOR ORDERING PARTS

All service parts should be ordered through your authorized H & S dealer. They will be able to give you faster service if you will provide them with the following

1. Model & Serial number is located on the main frame.
2. All reference to left or right apply to the machine as viewed from the rear.
3. Parts should not be ordered from illustration only. Please order by complete part number.
4. If your dealer has to order parts - give shipping instructions:
VIA truck - large pieces (please specify local truck lines)
VIA United Parcel Service (include full address)

H&S MFG. CO. INC.	
MARSHFIELD, WIS.	
MOD. NO.	<input type="text"/>
SER. NO.	<input type="text"/>
DESCR.	<input type="text"/>

PLEASE RECORD NUMBERS FOR YOUR UNIT FOR QUICK REFERENCE

ABOUT IMPROVEMENTS

H&S IS CONTINUALLY STRIVING TO IMPROVE IT'S PRODUCTS

We must therefore, reserve the right to make improvements or changes whenever it becomes practical to do so without incurring any obligation to make changes or additions to the equipment previously sold.

FIGURE 1

FRAME

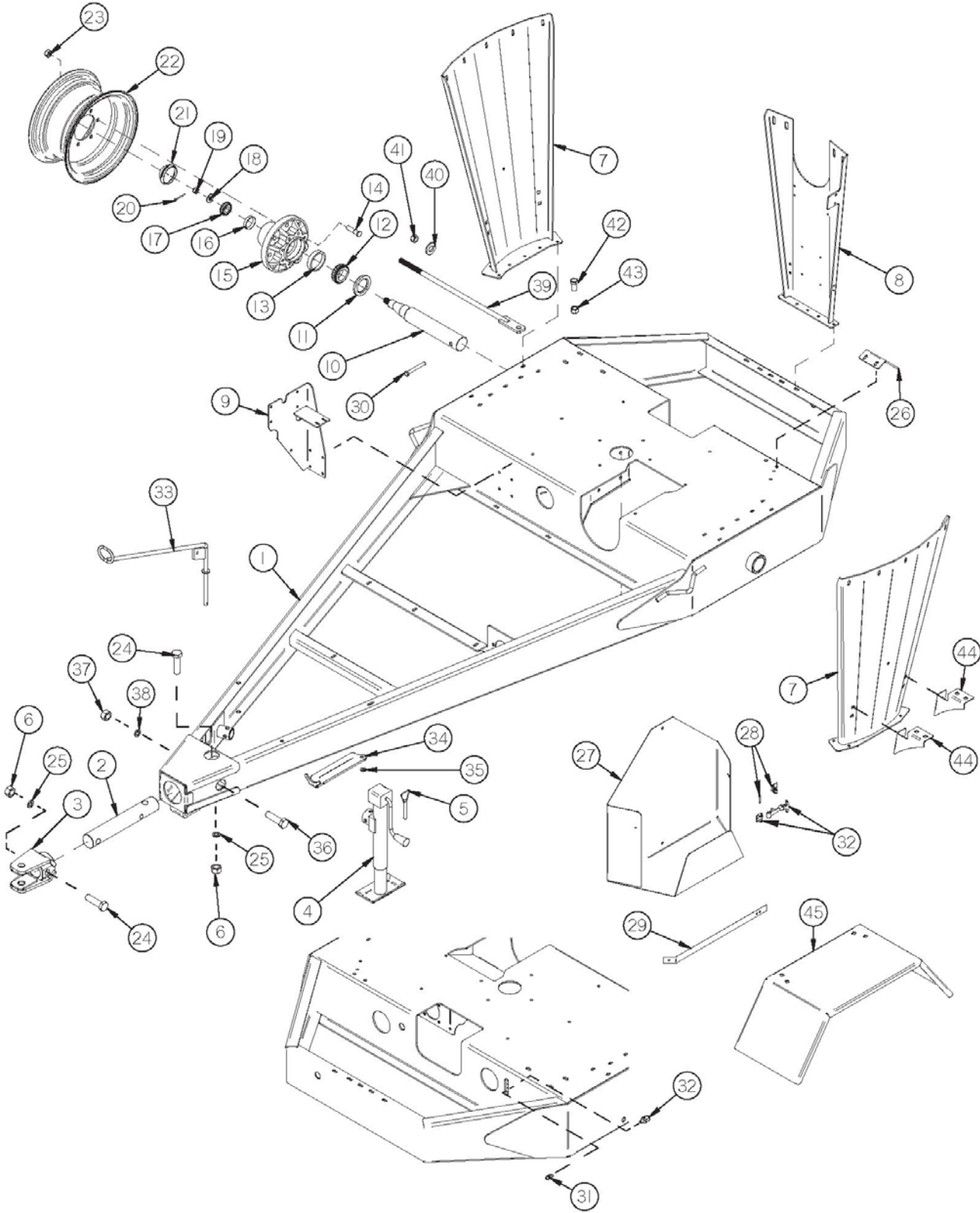


FIGURE 1

FRAME

<u>ITEM</u>	<u>PART #</u>	<u>DESCRIPTION</u>
1	GM72	FRAME
2	GM73	HITCH SHAFT
3	GM74	HITCH
4	GM396	JACK
5	12N13	JACK PIN & CHAIN
6	YNHX32010	HEX NUT, 1"-8 PLATED
7	GM76	TANK SIDE SUPPORT
8	GM77	TANK BACK SUPPORT
*	F97	SMV BRACKET
9	GM78	OIL TANK BRACKET
10	GM79	SPINDLE
11	B90	SEAL
12	B91	INNER BEARING
13	B91A	INNER RACE
14	YBSD20010	STUD 5/8"-18
15	26G4A	HUB (821)
16	B94A	OUTER RACE
17	B94	OUTER BEARING
18	YWFL28005	WASHER, FLAT, 7/8" USS
19	YNSL28005	HEX NUT, SLOTTED, 7/8"-14
20	YPCT05020	COTTER PIN, 5/32" X 1-3/4"
21	B2	HUB CAP
22	RG73	WHEEL (W-51350)
*	GM394	TIRE (12.5L x 15 20 PLY)
23	YNWL20005	LUG NUT 5/8"-18

NOTE: * MEANS NOT SHOWN

FIGURE 1

FRAME

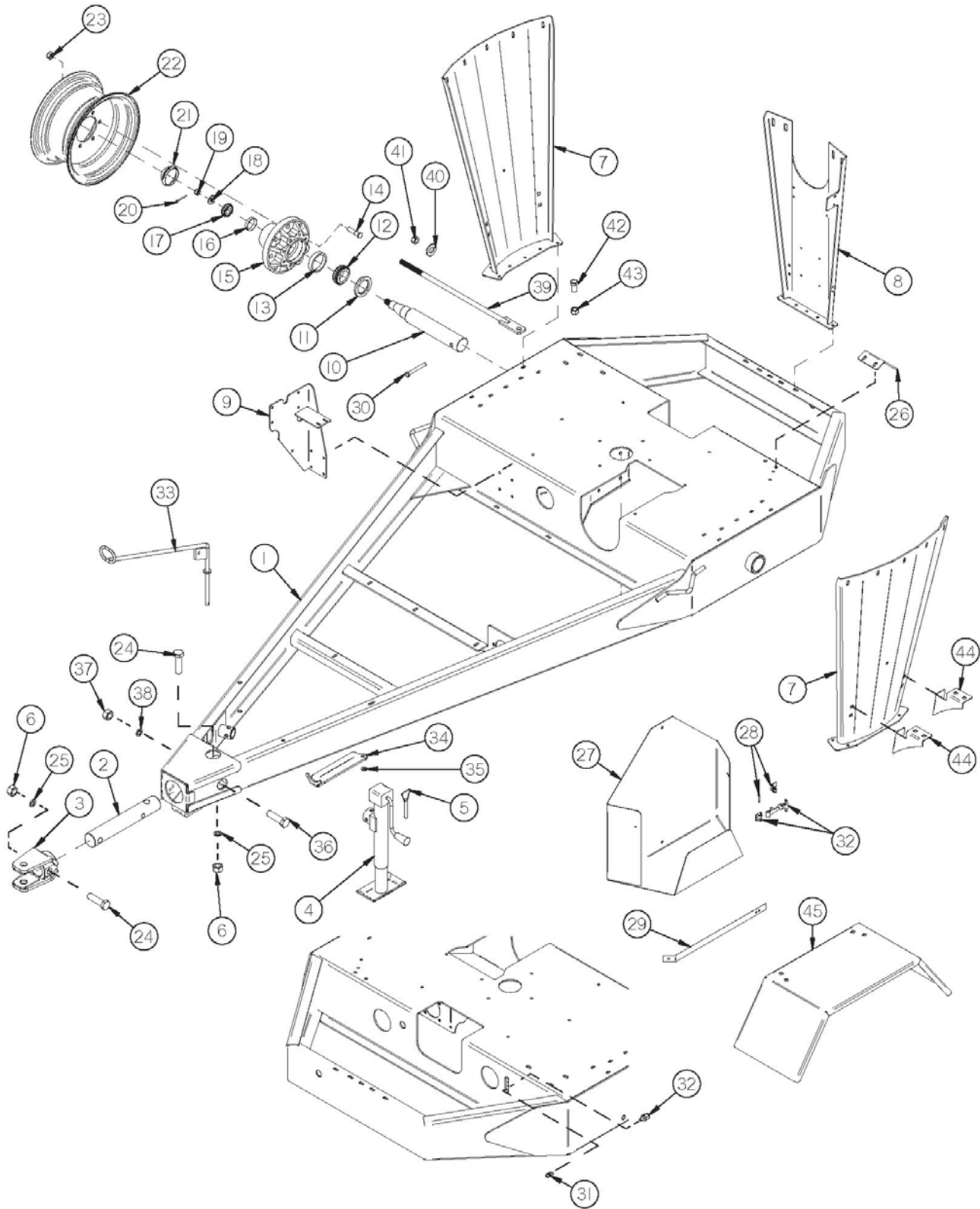


FIGURE 1

FRAME

<u>ITEM</u>	<u>PART#</u>	<u>DESCRIPTION</u>
24	YBHH32020	BOLT, 1"-8 X 5" GR. 5
25	YWLO32005	WASHER, LOCK, 1"
26	GM397	FLOW CONTROL BRACKET
27	GM398	SCREEN HOLDER
28	X233	COMPLETE LATCH
29	GM399	SCREEN HOLDER STRAP
30	YBHH16130	BOLT, 1/2" X 4" GR. 5
31	G89	GREASE ZERK (#1641)
32	GM424	1/4"-28 GREASE LINE ADAPTER
33	GM440	GRINDER HOSE HOLDER
34	42N2	PTO HOLDER
35	42N3	SPRING (MB1000-035)
36	YBHH24075	BOLT, 3/4" X 4-1/2" GR. 5
37	YNHX24005	HEX NUT, 3/4"-10 PLATED
38	YWLO24005	WASHER, LOCK, 3/4"
39	GM518	ROD
40	33SV95	WASHER
41	YNNY24005	HEX NUT, NYLON LOCKNUT, 3/4"
42	YBHH24001	3/4"-10 x 1" GR. 5 BOLT
43	YNRL24005	HEX NUT, REVERSIBLE-SIDE LOCK, 3/4"-10
44	GM332	FENDER SUPPORT
45	GM333	FENDER (FITS EITHER SIDE)

FIGURE 2

TANK

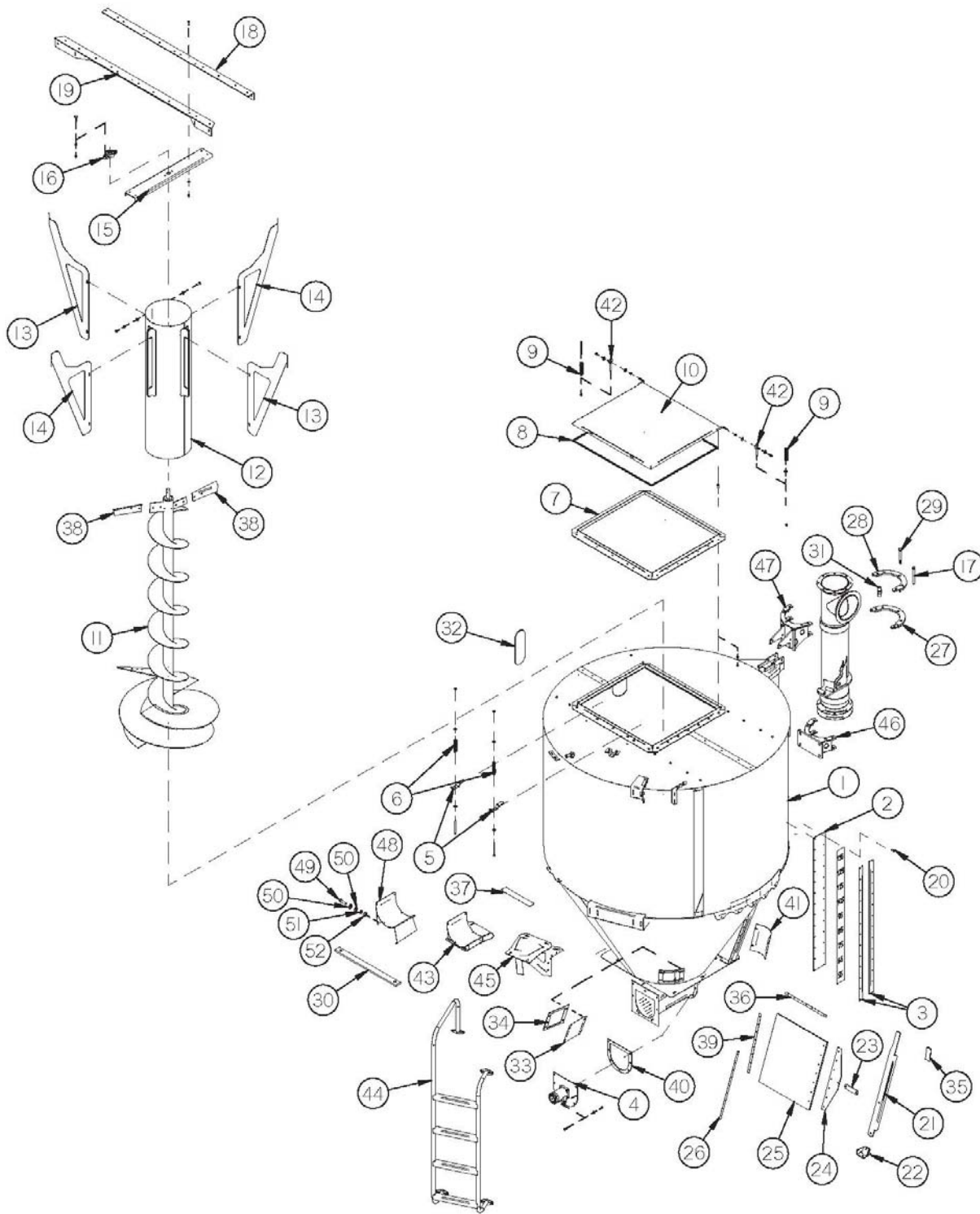


FIGURE 2

TANK

<u>ITEM</u>	<u>PART #</u>	<u>DESCRIPTION</u>
1	GM301	TANK
2	55911	SIGHT WINDOW - SHORT
3	55912	SIGHT WINDOW SIDE - SHORT
4	GM304	MOTOR MOUNT
5	56257	LID LATCH
6	GM225	LATCH SPRING (A262)
7	GM560	LARGE LID FRAME
8	GM571	LID GASKET LARGE
9	GM309	SPRING (A162)
10	GM559	LARGE TANK LID
11	GM-A & GM-B	DECAL (BUSHEL SCALE - UPPER AND LOWER)
12	GM311	MIXING AUGER
13	GM312	MIXING AUGER TUBE
14	GM565	MIXING TUBE SUPPORT B (WIDE)
15	GM564	MIXING TUBE SUPPORT A (WIDE)
16	GM563	MIXING AUGER TOP SUPPORT (WIDE)
17	T40	BEARING
18	YBHH16156	BOLT, 1/2" x 5" GR. 5 FULL THREAD
19	GM562	TANK TOP SUPPORT SHORT
20	GM561	TANK TOP WELDED BRACE
21	GM234	POP RIVET 3/16" X .700" (0155997)
22	GM334	DOOR HANDLE
23	GM335	DOOR STOP
24	GM336	DOOR LINKAGE
25	GM337	DOOR EDGE
26	GM338	DOOR

FIGURE 2

TANK

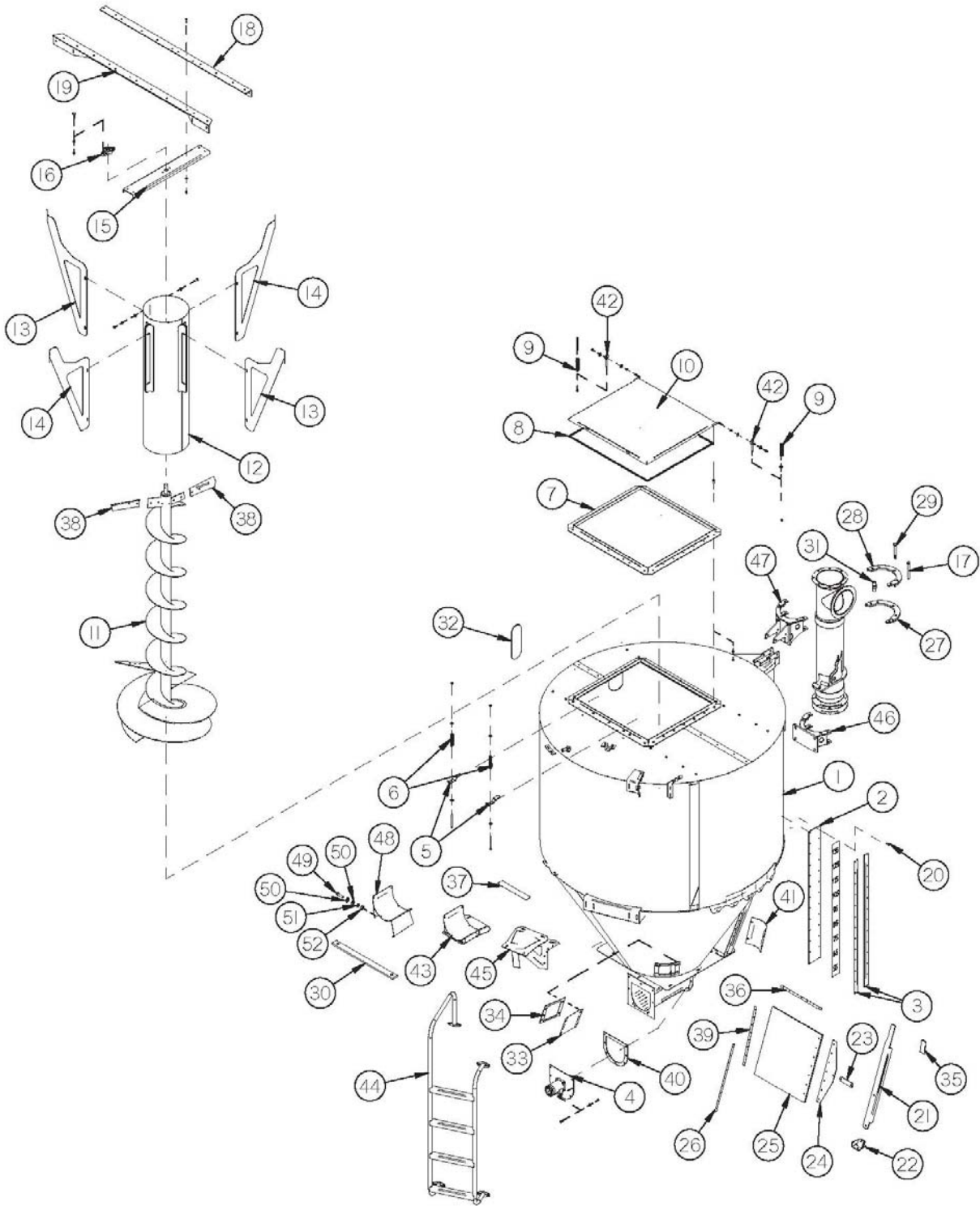


FIGURE 2

TANK

<u>ITEM</u>	<u>PART#</u>	<u>DESCRIPTION</u>
27	GM339	DOOR SEAL STRAP
*	GM348	RUBBER DOOR SEAL FRONT (LEFT)
28	GM340	SPLIT RING BOTTOM
29	GM341	SPLIT RING TOP
30	GM342	STEP BOLT
31	GM442	POLY STRIP
32	GM345	ROLLER
33	GM346	TOP SIGHT WINDOW
*	GM347	WINDOW GASKET
34	GM356	CLEANOUT DOOR
35	GM357	CLEANOUT GASKET
36	S403	HANDLE GRIP
37	GM391	INSIDE DOOR SEAL STRAP
*	GM392	INSIDE DOOR SEAL
38	GM435	SAFETY TREAD
39	GM437	PADDLE MIXER
40	GM438	DOOR SEAL STRAP
*	GM439	RUBBER DOOR SEAL
41	GM320	AUGER BOTTOM CAP SPACER
42	GM488**	AUGER CLEANOUT COVER
*	GM357**	FELT GASKET
43	YBTE10025	TURNED EYE BOLT, 5/16" X 2-3/4"
44	GM527	AUGER ADJUSTABLE CRADLE
45	55922	LADDER - BOLT ON
46	55921	AUGER CRADLE BASE WELDMENT
47	55924	VERTICAL AUGER PIVOT BOTTOM
48	55925	VERTICAL AUGER PIVOT TOP

NOTE: * MEANS NOT SHOWN

**** MEANS USED ON SERIAL #800110 AND HIGHER**

FIGURE 3

CONCENTRATE HOPPER & COLLECTOR

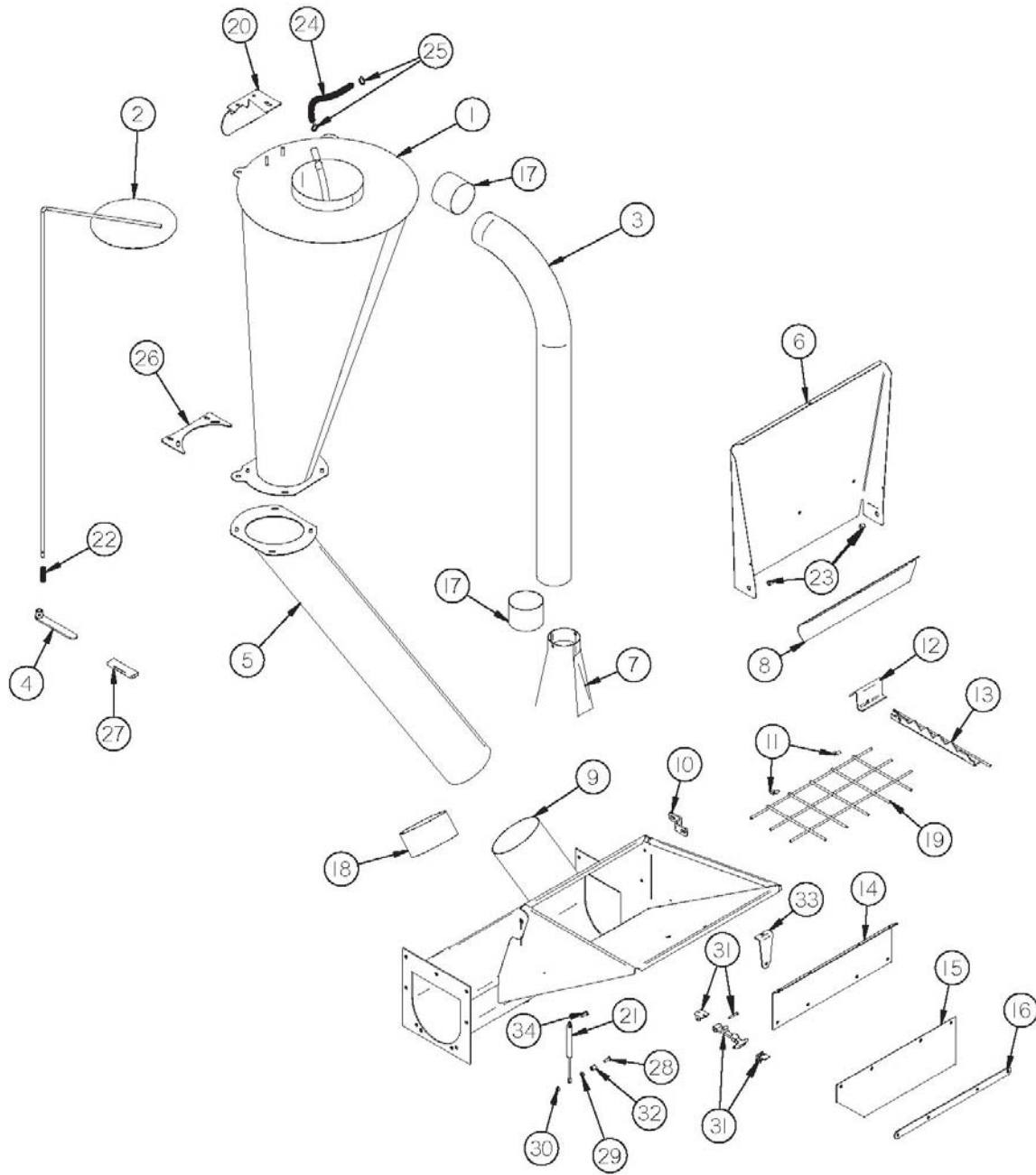


FIGURE 3

CONCENTRATE HOPPER & COLLECTOR

<u>ITEM</u>	<u>PART #</u>	<u>DESCRIPTION</u>
1	GM81	DUST COLLECTOR
2	GM82	DUST COLLECTOR TOP
3	GM83	BLOWER PIPE
4	GM84	COVER HANDLE
5	GM85	DUST COLLECTOR PIPE
6	GM86	COVER HOPPPER
*	GM420	COVER SEAL
7	GM87	BLOWER TRANSITION CHUTE
8	GM88	STOP COVER
9	GM89	SUPPLEMENT HOPPPER
10	GM90	RETAINER GUARD
11	GM91	HOSE CLAMP
12	GM92	SUPPORT BREAKER
13	GM93	BREAKER BAR
14	GM94	DUST SHIELD
15	GM95	DUST FLAP
16	GM96	DUST FLAP RETAINER
17	GM100	BLOWER PIPE SEAL
18	GM101	DUST COLLECTOR SEAL
19	GM360	HOPPER GRATE
20	GM368	ADJUSTABLE MOUNT PLATE
21	SD190	GAS STRUT
22	17G128	SPRING
23	GM443	SUPPLEMENT HOPPER DOOR PIVOT
24	GM452	3/4" X 14" HOSE
25	GM453	1" HOSE CLAMP
26	GM460	ADJUSTABLE SUPPORT BOTTOM
27	GM370	HANDLE GRIP
28	YBHH62010	BOLT 8-32 X 1-1/4"
29	YNHX62005	NUT 8-32
30	YNNY62005	NYLOCK NUT 8-32
31	X233	X192, X193, X194, X195 079-0101
32	GM525	SPACER (RIGHT SIDE BOTTOM ONLY)
33	GM526	LATCH BRACKET
34	YBHH62005	BOLT 8-32 X 3/4"

NOTE:* MEANS NOT SHOWN

FIGURE 4

DRIVE LINE

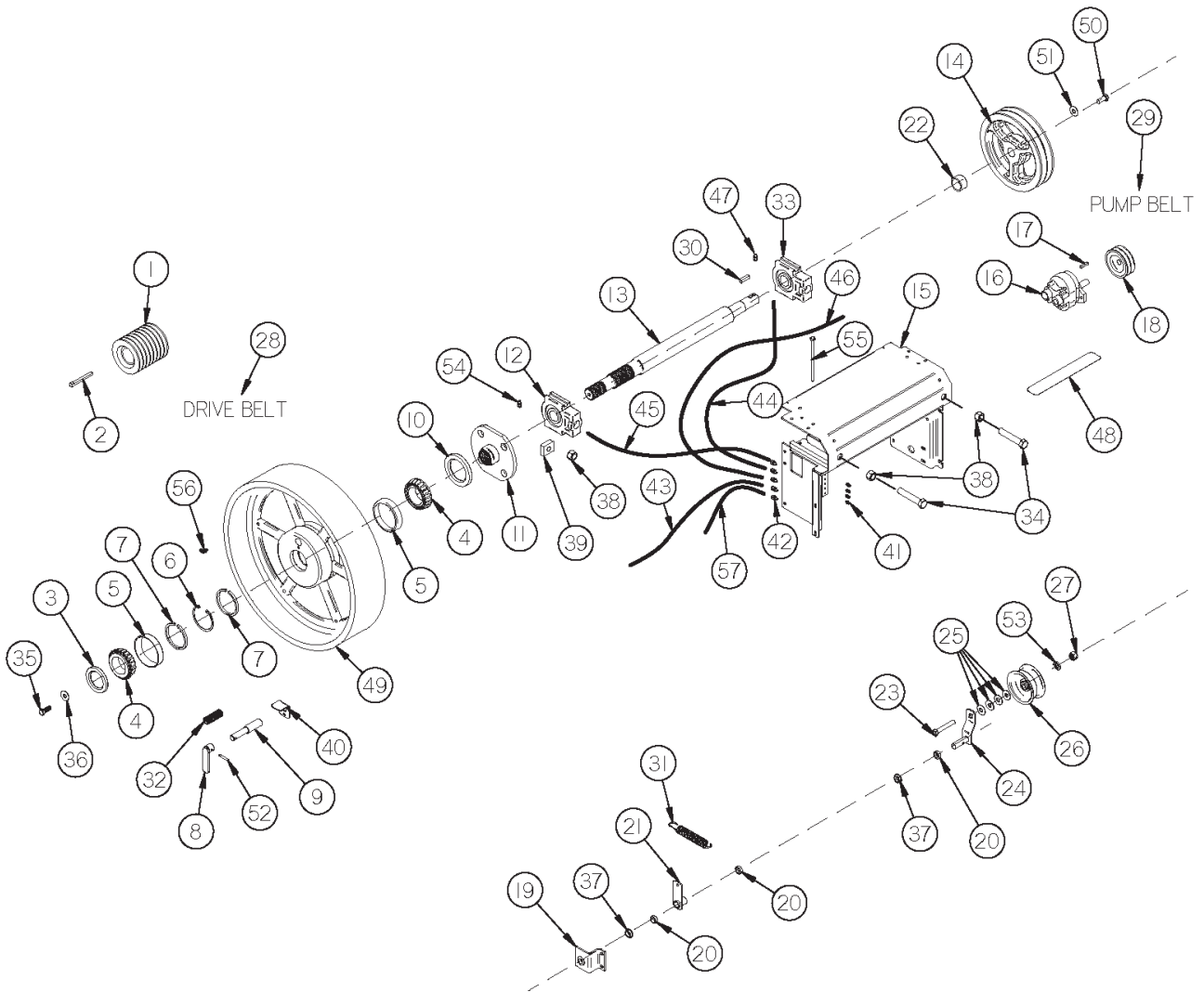


FIGURE 4

DRIVE LINE

<u>ITEM</u>	<u>PART #</u>	<u>DESCRIPTION</u>
1	GM102	MILL SHEAVE 540 RPM
*	GM103	MILL SHEAVE 1000 RPM
2	GM104	KEY 3/8" TAPER
3	GM105	SEAL (22338)
4	GM106	OUTER BEARING (LM501349)
5	GM107	RACE (LM501310)
6	GM108	SNAP RING
7	GM109	SPACER (2)
8	GM110	CLUTCH HANDLE
9	GM111	CLUTCH PIN
10	GM112	SEAL (22430)
11	GM113	FLYWHEEL CLUTCH
12	GM114	BEARING (UCT- 210-31 11/16)
13	GM115	MAIN DRIVE SHAFT
14	GM508	PUMP DRIVE SHEAVE (540 RPM) 2AK124
*	GM117	PUMP DRIVE SHEAVE (1000 RPM) 2AK74
15	GM532	DRIVE SHAFT CARRIER
16	GM14	PUMP
17	GM275	KEY 3/16" X 1" (SQUARE KEY ROUND ENDS)
18	GM120	PUMP SHEAVE
19	GM121	IDLER SHAFT SUPPORT
20	GM122	SPACER
21	GM123	ARM
22	GM444	SHEAVE SPACER (540 & 1000 RPM)
23	YBHH20035	BOLT, 5/8" X 2-1/2" GR. 5
24	GM125	IDLER ARM
25	YWFL20005	WASHER, FLAT, 5/8" USS
26	GM127	IDLER PULLEY
27	YNHX20005	HEX NUT, 5/8"-11 PLATED
28	GM129	V BELT (8/A91) (540 RPM) 93"
*	GM130	V BELT (8/A96) (1000 RPM) 98"

NOTE:* MEANS NOT SHOWN

FIGURE 4

DRIVE LINE

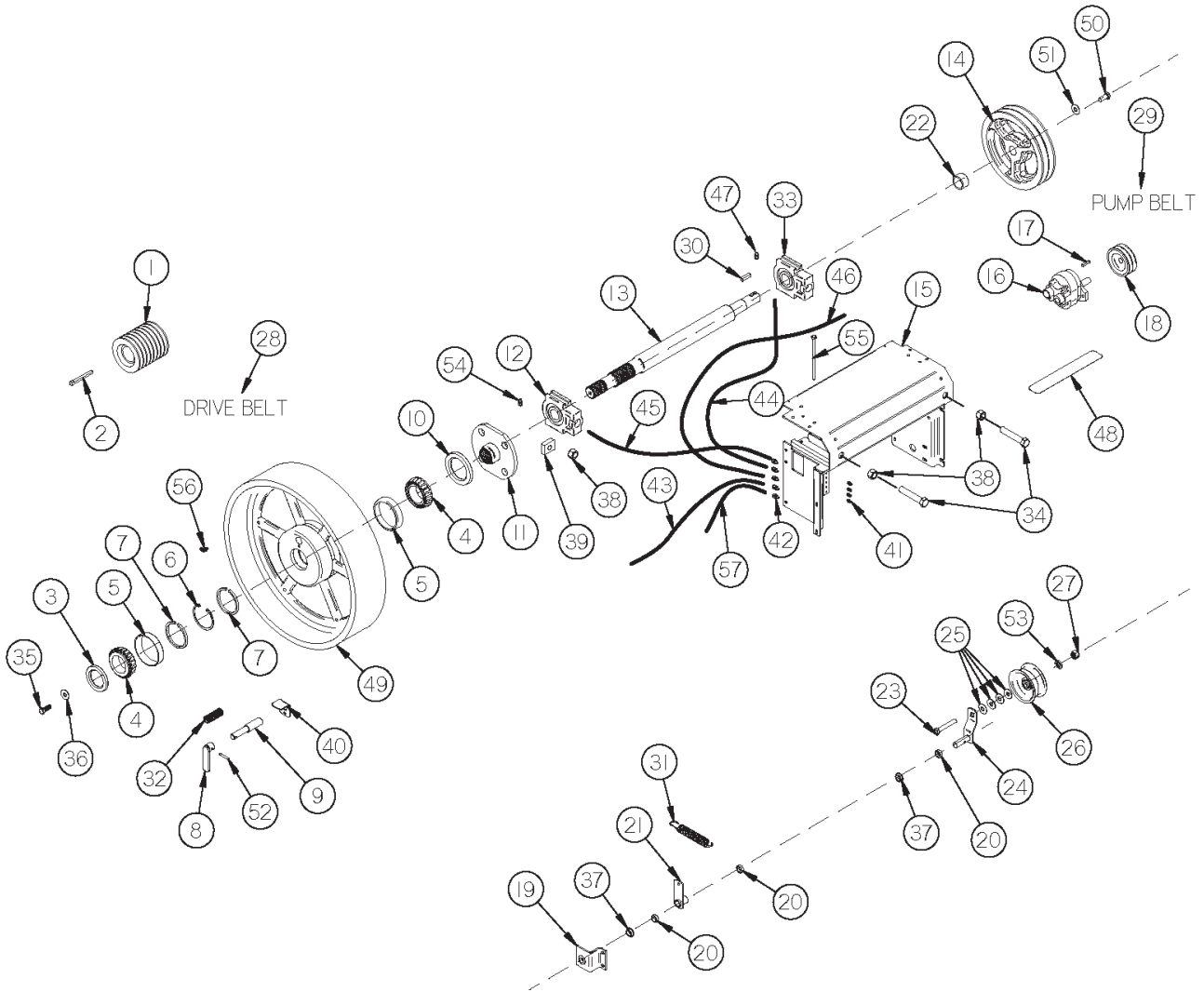


FIGURE 4

DRIVE LINE

<u>ITEM</u>	<u>PART #</u>	<u>DESCRIPTION</u>
29	GM131	V BELT (2/A62) (540 RPM) 64"
*	GM132	V BELT (2/A52) (1000 RPM) 54"
30	G12	KEY 5/16" X 1" (540 & 1000 RPM)
31	GM410	SPRING (B11108) 540 RPM
*	GM454	SPRING (U10063) 1000 RPM
32	GM411	SPRING (13E29)
33	GM413	BEARING (UCT208-24-11/16)
34	YBHH24091	BOLT, 3/4" X 6" GR. 5 FULL THREAD
35	GM414	1/2"-20 x 1-1/4" GR. 5 Bolt W/HOLE
36	GM415	INPUT YOKE WASHER
37	GM416	IDLER PIVOT BUSHING
38	YNHX24005	HEX NUT, 3/4"-10 PLATED
39	GM445	SLIDER BEARING NUT
40	GM423	FLYWHEEL CLUTCH BRACKET
41	G89	GREASE ZERK (#1641)
42	GM424	1/4"-28 GREASE LINE ADAPTER
43	GM425	GREASE LINE 70"
44	GM426	GREASE LINE 25"
45	GM427	GREASE LINE 20"
46	GM428	GREASE LINE 85"
47	GM429	1/4"-28 90° ADAPTER
48	GM435	SAFETY TREAD
49	GM41	FLYWHEEL
50	YBHH16045	BOLT, 1/2" X 1-1/4" GR. 5
51	GM124	540 SHEAVE WASHER
52	YPEX08010	EXPANSION PIN, 1/4" X 1-1/4"
53	YWLO20005	WASHER, LOCK, 5/8"
54	GM419	1/8" GREASE LINE ADAPTER
55	YBHH12240	BOLT, 3/8" X 6-1/2" GR. 5
56	DWM133	1/8" PIPE 45° ZERK
57	54119	GREASE LINE 10"

NOTE: * MEANS NOT SHOWN

FIGURE 5

MILL

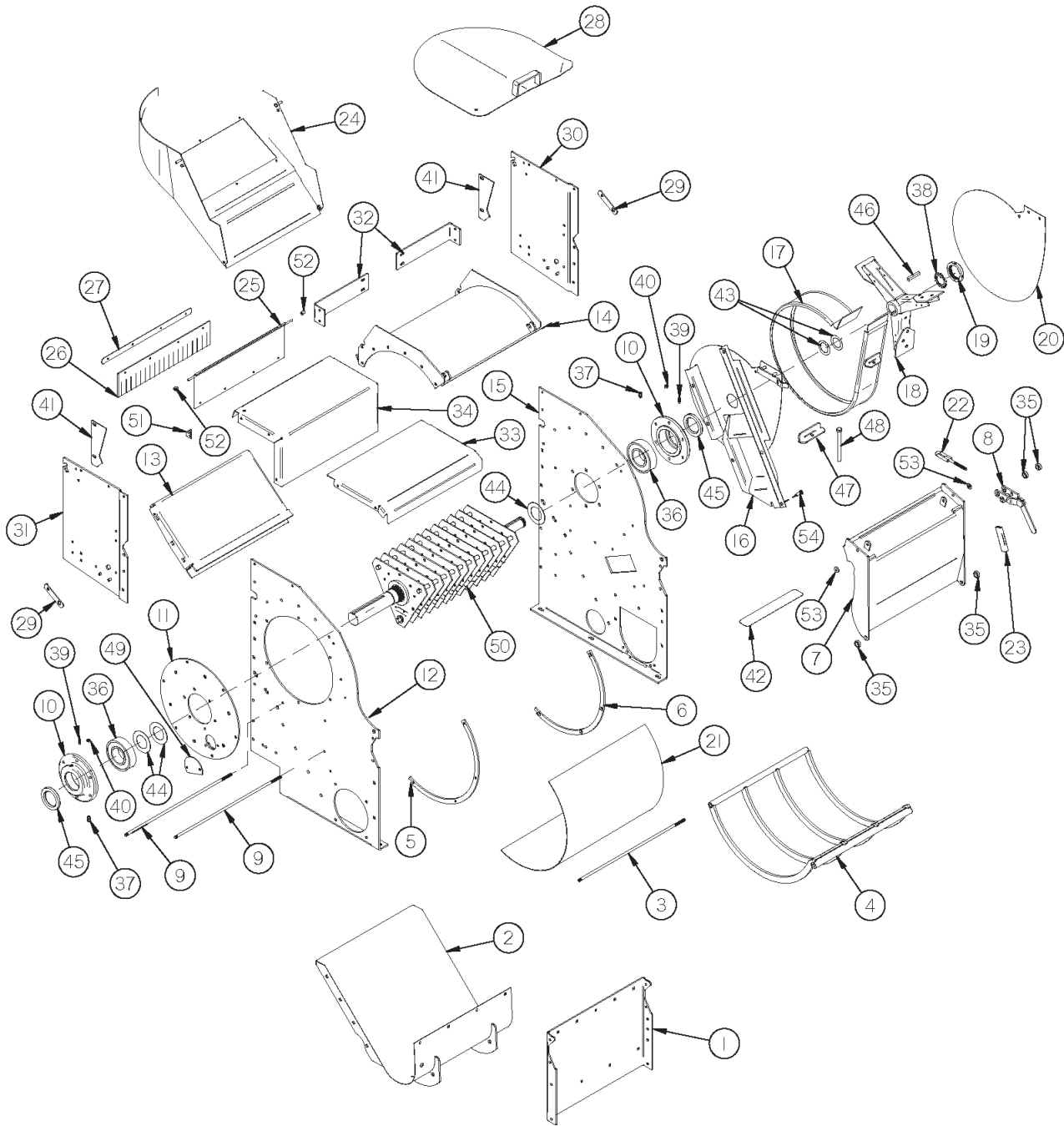


FIGURE 5

MILL

<u>ITEM</u>	<u>PART #</u>	<u>DESCRIPTION</u>
1	GM133	GRINDER SIDE PANEL
2	GM533	MILL BOTTOM PANEL
3	GM135	MILL LONG BOLT 1/2" X 22.500"
4	GM136	SCREEN SUPPORT
5	GM137	SCREEN GUIDE FRONT
6	GM138	SCREEN GUIDE BACK
7	GM139	GRINDER DOOR
8	GM140	DOOR LATCH
9	GM141	ROD 3/8" X 22.375"
10	GM142	BEARING HOUSING
*	56109	MILL SHAFT BEARING ASSEMBLY (INCLUDES ITEM'S #10,36,39,40,45)
11	GM143	CYLINDER COVER
12	GM534	MILL FRONT PANEL
13	GM145	THROAT PLATE
14	GM146	GRINDER TOP
15	GM535	MILL BACK PANEL
16	GM148	FRONT BLOWER PANEL
17	GM149	BLOWER BAND
18	GM150	BLOWER FAN
19	GM151	NUT (N-08)
20	GM152	BLOWER BACK PANEL
21	GMOSCRN18	HAMMER MILL SCREEN 1/8"
*	GMOSCRN316	HAMMER MILL SCREEN 3/16"
*	GMOSCRN14	HAMMER MILL SCREEN 1/4"
*	GMOSCRN516	HAMMER MILL SCREEN 5/16"
*	GMOSCRN38	HAMMER MILL SCREEN 3/8"
*	GMOSCRN12	HAMMER MILL SCREEN 1/2"
*	GMOSCRN58	HAMMER MILL SCREEN 5/8"
*	GMOSCRN34	HAMMER MILL SCREEN 3/4"
*	GMOSCRN1	HAMMER MILL SCREEN 1"
*	GMOSCRN114	HAMMER MILL SCREEN 1-1/4"
*	GMOSCRN112	HAMMER MILL SCREEN 1-1/2"
*	GMOSCRN2	HAMMER MILL SCREEN 2"
22	GM166	DOOR HOOK

NOTE: * MEANS NOT SHOWN

FIGURE 5

MILL

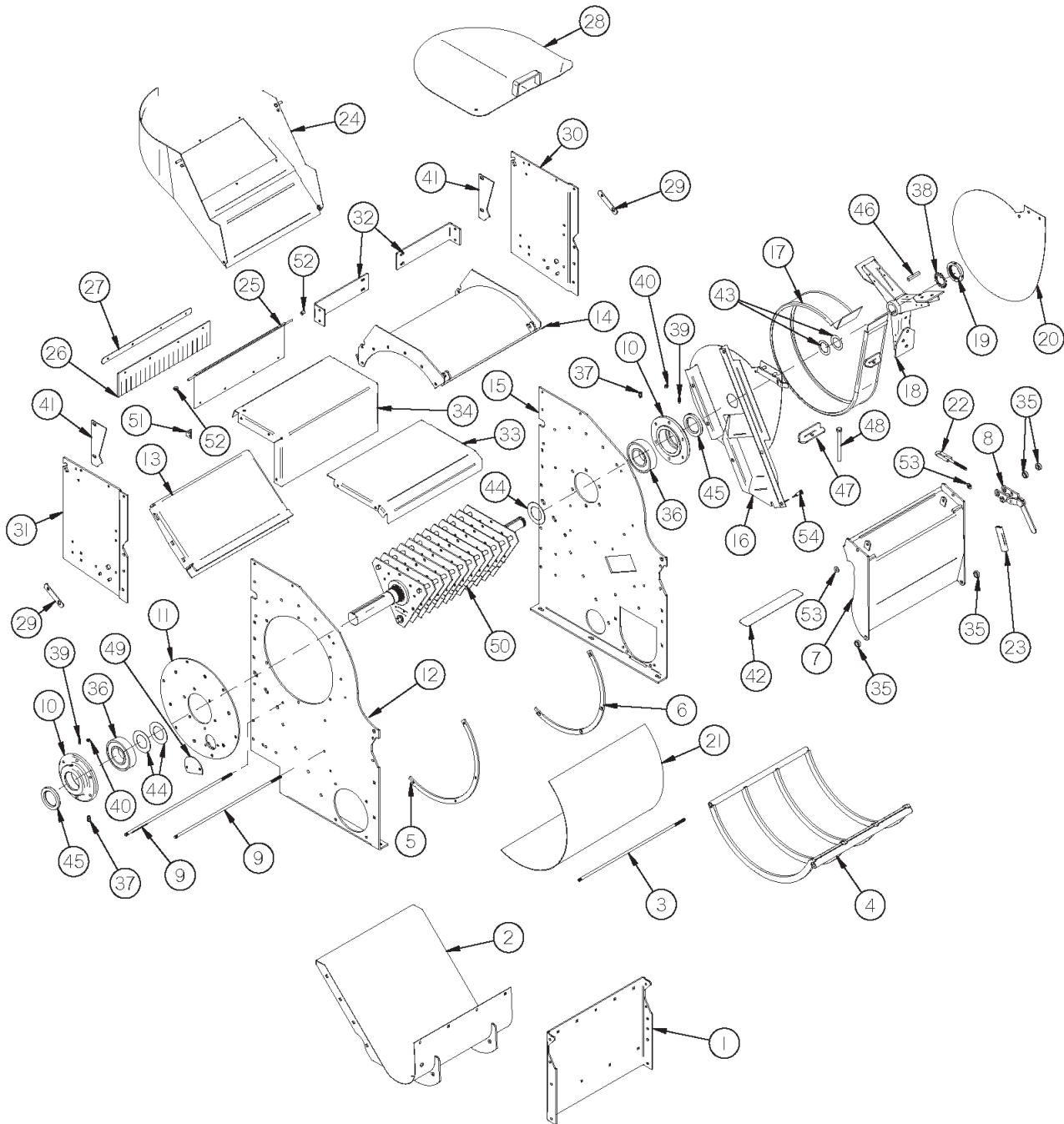


FIGURE 5

MILL

<u>ITEM</u>	<u>PART #</u>	<u>DESCRIPTION</u>
23	GM370	HANDLE GRIP
24	GM351	INFEED CHUTE FOR INFEED CONVEYOR
*	GM352	CHUTE MAGNET
25	GM353	INFEED FLAP
26	GM354	INFEED FLAP RUBBER
27	GM355	INFEED FLAP RUBBER STRAP
28	GM358	INFEED CHUTE COVER FOR ITEM # 25
29	GM362	HOPPER ADJUSTMENT
30	GM363	GRINDER THROAT LEFT
31	GM364	GRINDER THROAT RIGHT
32	GM365	CHUTE BRACE
33	GM366	CHUTE MID SHIELD
34	GM367	CHUTE TOP SHIELD
35	GM180	PIVOT SPACER
36	GM421	BEARING (J211WDN)
37	GM419	1/8" GREASE LINE ADAPTER
38	GM431	LOCKING WASHER
39	YSKP12005	SET SCREW, 3/8"-16 X 1" W/KNURLED POINT
40	YNJM12005	HEX NUT, JAM, 3/8"-16
41	GM433	CHUTE STOP
42	GM435	SAFETY TREAD
43	GM448	FAN SPACER
44	GM449	BEARING SPACER
45	GM450	SEAL (2608)
46	GM462	3/8" X 2-1/2" KEY
47	GM316	BLOWER BAND ANGLE
48	GM323	3/8" X 8-1/2" GR 5 BOLT
49	GM457	SERVICE PORT COVER
50	GM451	COMPLETE MILL CYLINDER
51	D58	ANGLE
52	GM525	CHUTE FLAP SPACER
53	GM575	DOOR LATCH SPACER
54	YBHH12010	BOLT, 3/8" X 1" GR. 5

NOTE: * MEANS NOT SHOWN

FIGURE 6 **MILL CYLINDER**

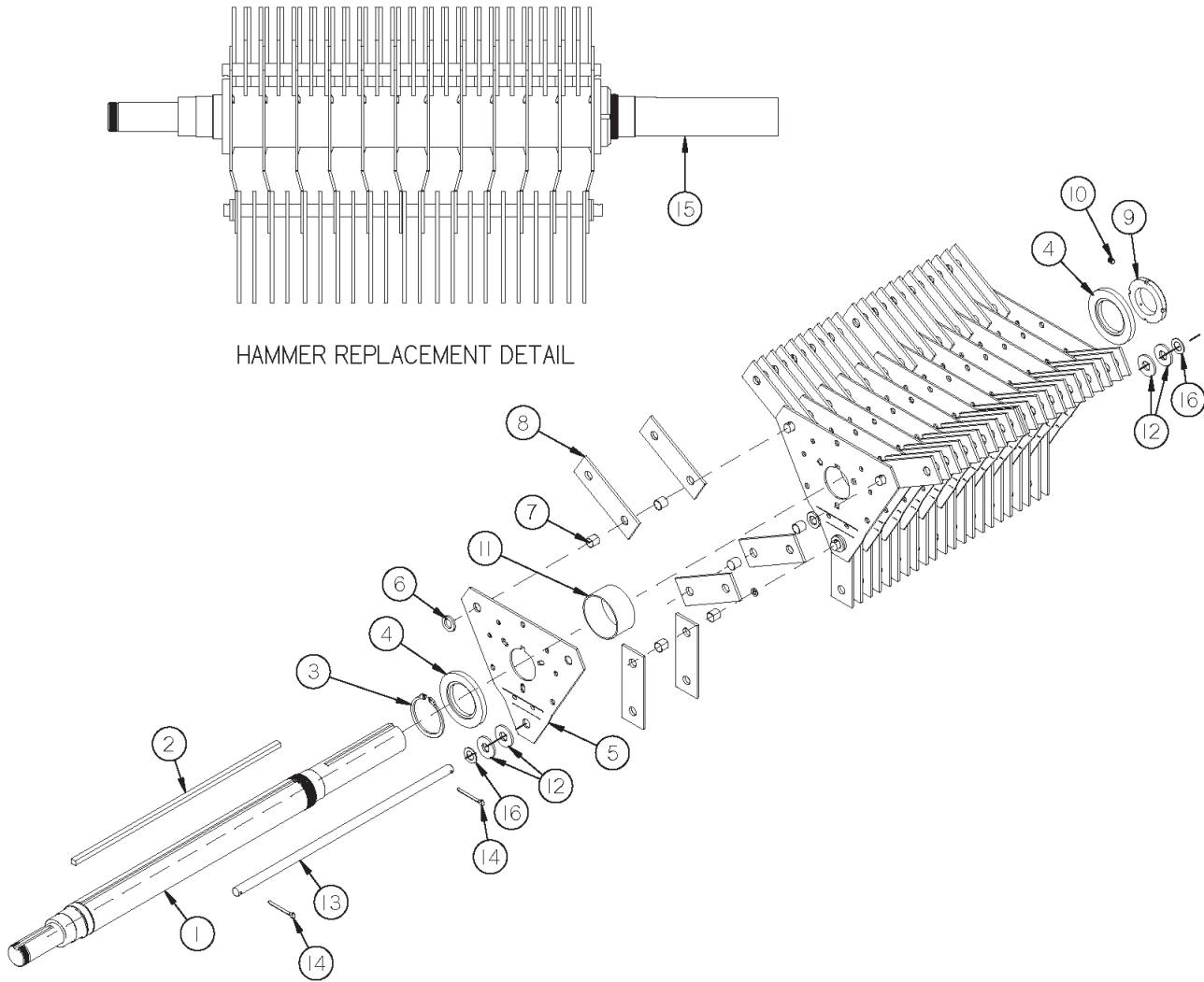


FIGURE 6
MILL CYLINDER

<u>ITEM</u>	<u>PART #</u>	<u>DESCRIPTION</u>
1	GM168	MILL SHAFT
2	GM169	CYLINDER KEY 3/8" X 19-3/8"
3	GM465	RETAINING RING (EN237)
4	GM171	RETAINER PLATE
5	GM172	CYLINDER PLATE (12 PCS.)
6	GM173	SPACER
7	GM174	HAMMER SPACER
8	GM175	HAMMER (66 PIECES)
9	GM176	CYLINDER SHAFT NUT (N-12)
10	YSKP08015	SET SCREW, SOCKET, KNURLED CUP PT, 1/4"-20 X 3/8"
11	GM177	SPACET PLATE
12	GM430	BALANCE WASHER (4 PCS.)
13	GM44	HAMMER SHAFT
14	YPCT06010	COTTER PIN, 3/16" X 1-1/4"
15	GM451	COMPLETE MILL CYLINDER
16	GM576	MILL ROD SHIM WASHER

FIGURE 7

CONVEYOR DRIVE



FIGURE 7

CONVEYOR DRIVE

<u>ITEM</u>	<u>PART #</u>	<u>DESCRIPTION</u>
1	GM141	ROD 3/8" X 22.375"
2	GM536	SPROCKET 30T (540 RPM)
*	GM537	SPROCKET 54T (1000 RPM)
3	GM538	SHEAR FLANGE
4	GM539	BEARING BRACKET FOUR BOLT
5	GM566	BEARING (BH85F6 X 1-3/4")
*	57423	BEARING (FOR ITEM #5)
6	GM480	GEARBOX SHAFT BRACE
7	GM251	IDLER SPROCKET (60A15)
*	GM246	BEARING (203 RR2 USA Fafnir)
8	GM252	IDLER SPRING (077055)
9	GM253	IDLER BRACKET
10	GM540	SOLID TRANSFER AUGER
11	GM567	23T OVERRUNNING CLUTCH
12	GM292	IDLER SPACER
13	GM470	SPROCKET 26T (DOUBLE)
14	GM471	#50 DOUBLE CHAIN X 54 PITCH
15	D118	#50 DOUBLE CONNECTOR LINK
16	GM473	IDLER SPROCKET 8 TOOTH COMPLETE
17	GM492	5/16" X 1-1/4" SQUARE KEY W/ ROUND ENDS
18	YSKP10010	SET SCREW, SOCKET, KNURLED CUP PT, 5/16" - 18 X 3/8"
19	56869	CONNECTOR LINK #60
20	GM296	IDLER PIVOT BUSHING (3/4" OD X .635" ID X 3/4")
21	56751	GEARBOX BEARING PLATE LARGE
22	45N57	1/8" NPT X 2-5/8" GREASE ZERK (58754)
23	GM542	SHEAR BUSHING LARGE BORE
24	GM299	TENSIONER PIVOT
25	YBHH10010	BOLT, 5/16" X 1" GR. 5
26	YBHH10070	BOLT, 5/16" X 2" GR. 5
27	YBHH10105	BOLT, 5/16" X 3/4" GR. 5
28	YNTL10005	HEX NUT, TOP LOCK, 5/16"-18
29	YWFL10005	WASHER, FLAT, 5/16" USS
30	YWLO10005	WASHER, LOCK, 5/16"
31	YNHX10005	HEX NUT, 5/16"
32	YBCR12010	CARR. BOLT, 3/8" X 1" GR. 5
33	YWLO12005	WASHER, LOCK, 3/8"
34	YNHX12005	HEX NUT, 3/8"-16

NOTE: * MEANS NOT SHOWN

FIGURE 7

CONVEYOR DRIVE



FIGURE 7

CONVEYOR DRIVE

<u>ITEM</u>	<u>PART #</u>	<u>DESCRIPTION</u>
35	YBHH12145	BOLT, 3/8" X 3-1/2" GR. 5
36	YWFL12005	WASHER, FLAT, 3/8" USS
37	YBHH20015	BOLT, 5/8" X 1-1/4" GR. 5
38	GM489	GEARBOX (A11)
39	54208	1-3/4" LOCK COLLAR
40	G89	GREASE ZERK
41	56750	BEARING, 1-3/4 SHAFT, FLANGE
42	GM361	#60 CHAIN X 66 PITCHES (540 RPM)
*	GM343	#60 CHAIN X 80 PITCHES (1000 RPM)
43	GM393	AUGER SEAL W/ BUSHING
44	S50	BUSHING (A-2001 x 1-1/8")
45	GM494	RELUBE BEARING FLANGE
46	GM441	AUGER TRANSITION CAP
47	GM202	1/2" PLUG (5406-8P)
48	S38	3/8" X 2-3/8" SQ. KEY
49	GM36	GREASE LINE 30"
50	GM472	RETAINING RING (N5000-102)
51	GM474	TIGHTENER SUPPORT
52	GM475	TIGHTENER SUPPORT SPACER
53	GM507	GREASE LINE 60"
54	GM506	GREASE LINE 51"
55	F144	BEARING (FH207-22)
56	F146	LOCK COLLAR
57	GM510	MOUNT PLATE
58	WM125	BEARING SPROCKET (SKF 6000-2RSJEM)
59	GM543	SPLINED WASHER COMPLETE
60	YBHH16030	BOLT, 1/2" X 1-1/2" GR. 5
61	YWFL16005	WASHER, FLAT, 1/2" USS
62	YWLO16005	WASHER, LOCK, 1/2"
63	F143	FLANGE (GREASABLE)
*	GM544	MOUNT PLATE ADAPTER
64	8600	FLANGE (GREASABLE)
65	8601	BEARING (FH208-24G)
66	8602	FLANGE
67	54207	1-1/2" LOCK COLLAR
68	GM424	1/4"-28 GREASE LINE ADAPTER
69	GM497	1/8"-27 NPT O-RING FITTING

NOTE: * MEANS NOT SHOWN

FIGURE 8

UNLOADING AUGER

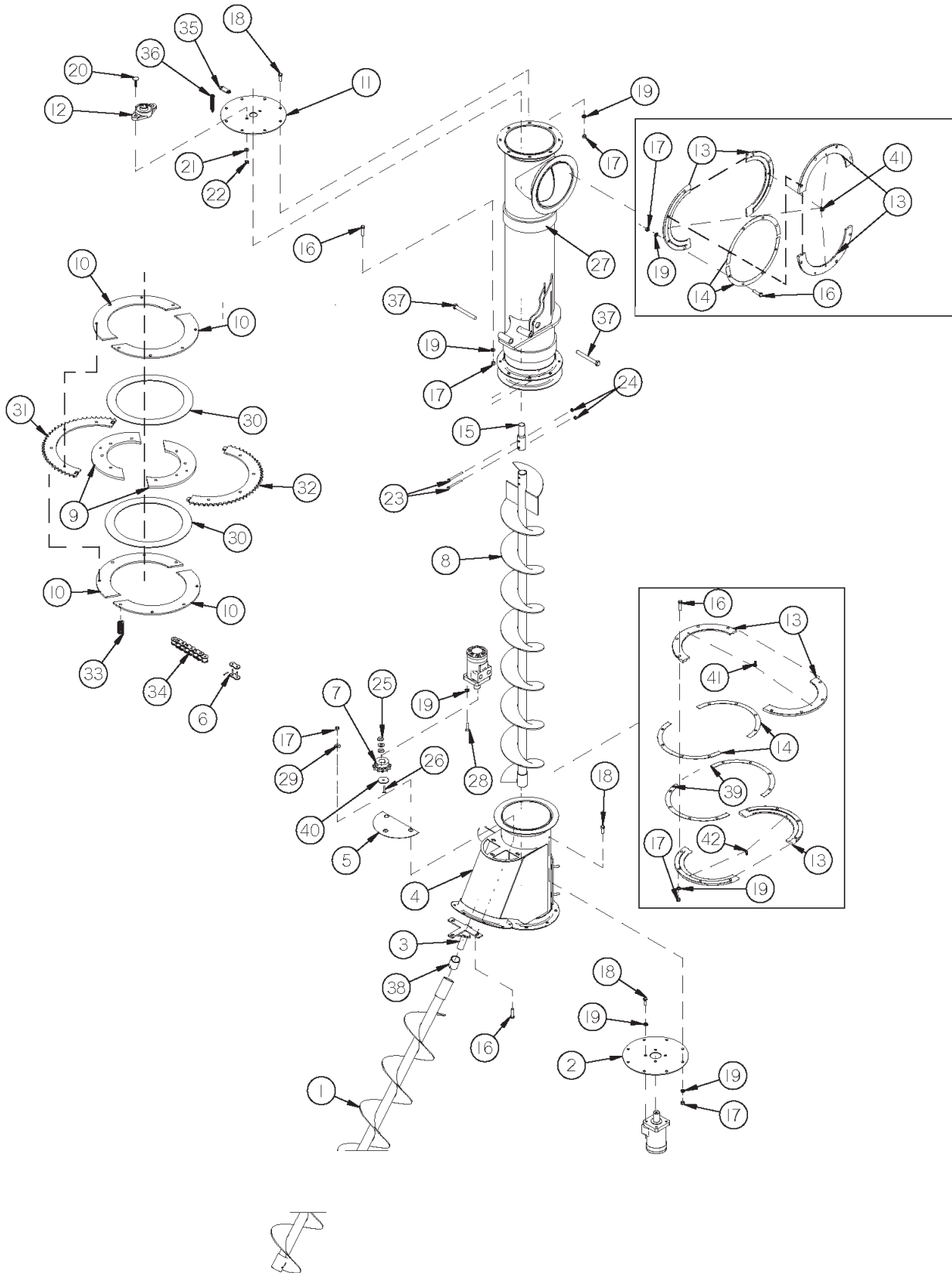


FIGURE 8

UNLOADING AUGER

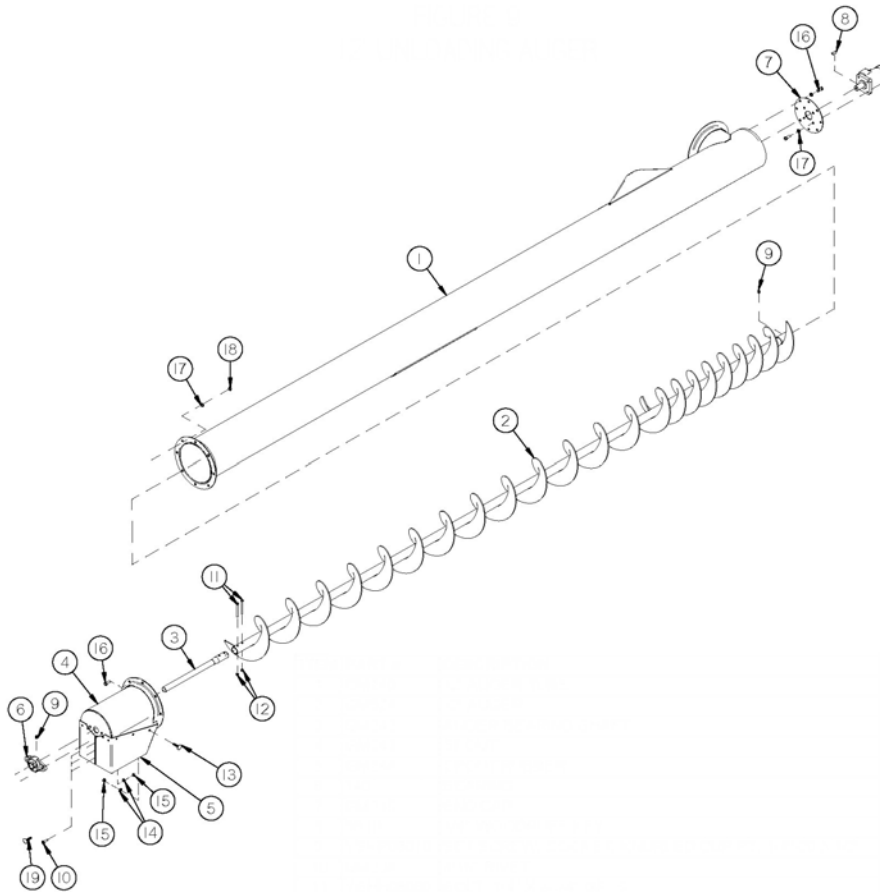
<u>ITEM</u>	<u>PART #</u>	<u>DESCRIPTION</u>
1	GM220	TANK UNLOADING AUGER
2	GM221	AUGER DRIVE CAP
3	GM222	AUGER SHAFT
4	GM223	AUGER TUBE
*	GM488**	AUGER CLEANOUT COVER
*	GM357**	FELT GASKET
5	GM224	OVERFLOW COVER
6	56869	#60 CONNECTOR LINK (DRIVES)
7	GM226	SPROCKET 60-B11
8	GM523	VERTICAL AUGER
9	GM228	CLUTCH PLATE
10	GM229	CLUTCH FACE
11	GM230	END CAP
12	T40	BEARING
13	GM231	COLLAR
14	GM232	COLLAR SHIM
15	GM233	VERTICAL AUGER SHAFT
16	YBHH12025	BOLT, 3/8" X 1-1/2" GR. 5
17	YNHX12005	HEX NUT, 3/8"-16
18	YBHH12135	BOLT, 3/8" X 3/4" GR. 5
19	YWLO12005	WASHER, LOCK, 3/8"
20	YBCR10010	CARR. BOLT, 5/16" X 1" GR. 5
21	YWLO10005	WASHER, LOCK, 5/16"
22	YNHX10005	HEX NUT, 5/16"
23	YBHH08060	BOLT, 1/4" X 2-1/4" GR. 5
24	YNTL08005	HEX NUT, TOP LOCK, 1/4"-20
25	YWFL08005	WASHER, FLAT, 1/4" USS
26	YBHH08035	BOLT, 1/4" X 1-1/4" GR. 5
27	GM236	PIVOT TUBE
28	YBHH12010	BOLT, 3/8" X 1" GR. 5
29	YWFL12005	WASHER, FLAT, 3/8" USS
30	GM237	CLUTCH
31	GM238	TURN SPROCKET B
32	GM239	TURN SPROCKET A
33	WM210	CLUTCH SPRING (RED)
34	GM409	#60 CHAIN x 81 PITCHES
35	GM436	HOSE HOLDER
36	23N187	SPRING
37	YBHH16135	BOLT, 1/2" X 4-1/2" GR. 2 FULL THREAD
38	RG11	BUSHING (1.010" ID x 1-1/4" x 2")
39	GM459	COLLAR SHIM
40	GM461	PINION STOP
41	RG51	1/4"-28 90° GREASE ZERK (1911)
42	G89	1/4"-28 GREASE ZERK (1641)

NOTE: * MEANS NOT SHOWN

**** MEANS USED ON SERIAL #800110 AND HIGHER**

FIGURE 9

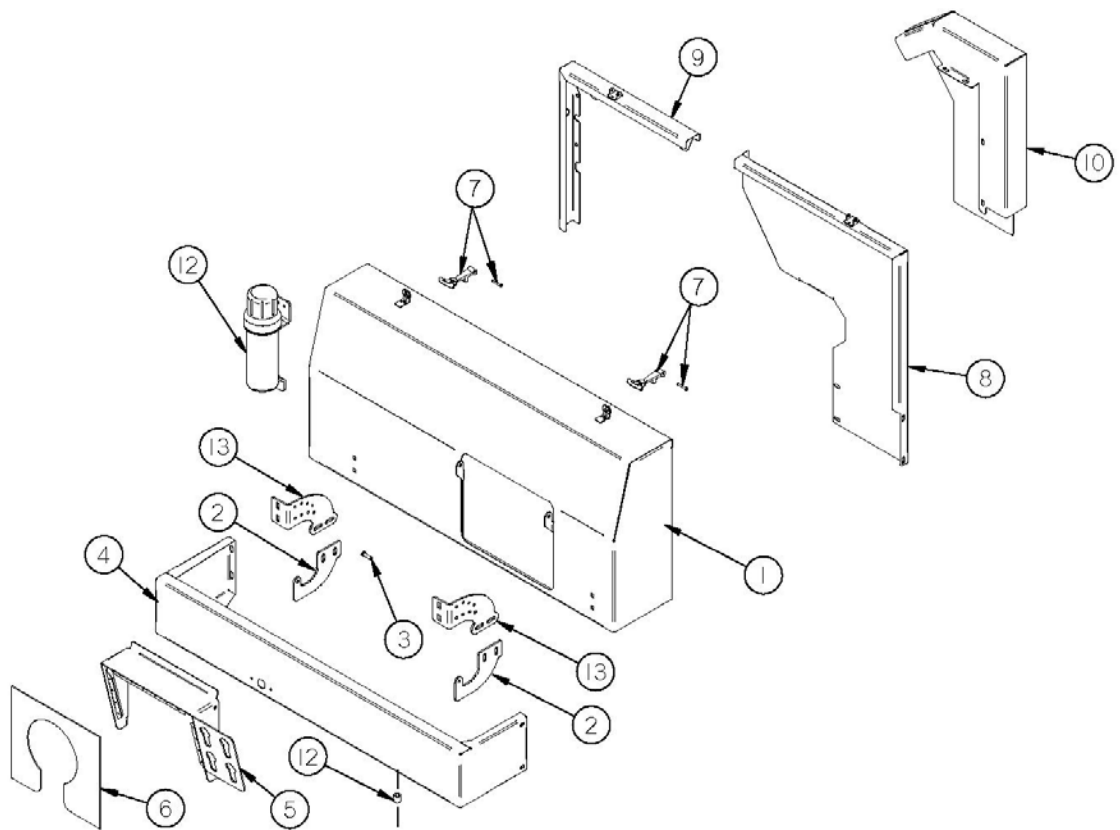
12' UNLOADING AUGER



<u>ITEM</u>	<u>PART #</u>	<u>DESCRIPTION</u>
1	GM240	12' AUGER TUBE
2	GM524	12' AUGER
3	GM242	AUGER BEARING SHAFT
4	GM243	SPOUT
5	GM244	SPOUT RUBBER
6	T40	BEARING
7	GM245	END CAP
8	5B10	1/4" WOODRUFF KEY
9	YSKP08010	SET SCREW, SOCKET, KNURLED CUP PT, 1/4"-20 X 1/2"
10	GM234	3/16" RIVET
11	YBHH08060	BOLT, 1/4" X 2-1/4" GR. 5
12	YNTL08005	HEX NUT, TOP LOCK, 1/4"-20
13	YBCR10030	CARR. BOLT, 5/16" X 3/4" GR. 5
14	YWLO10005	WASHER, LOCK, 5/16"
15	YNHX10005	HEX NUT, 5/16"
16	YBHH12010	BOLT, 3/8" X 1" GR. 5
17	YWLO12005	WASHER, LOCK, 3/8"
18	YNHX12005	HEX NUT, 3/8"-16
19	YBCR10010	CARR. BOLT, 5/16" X 1" GR. 5

FIGURE 10

SHIELDS



<u>ITEM</u>	<u>PART #</u>	<u>DESCRIPTION</u>
1	GM545	FRONT SHIELD
2	GM529	SHIELD FRONT HINGE BOTTOM
3	YBHH10010	BOLT, 5/16" X 1" GR. 5
*	YBHH08010	BOLT, 1/4" X 1" GR. 5
4	58633	FLYWHEEL SHIELD LOWER - NO PLUG
5	GM325	PTO GUARD
6	GM326	POLY PTO GUARD
7	X233	LATCH COMPLETE
8	GM547	FLYWHEEL SHIELD BACK LEFT
9	GM328	TOP SEAL
10	GM548	HYDRAULIC PUMP SHIELD
11	GM519	SHIELD SPACER
12	S522	MANUAL HOLDER
13	GM528	SHIELD FRONT HINGE TOP

NOTE: * MEANS NOT SHOWN

FIGURE 11

OILER

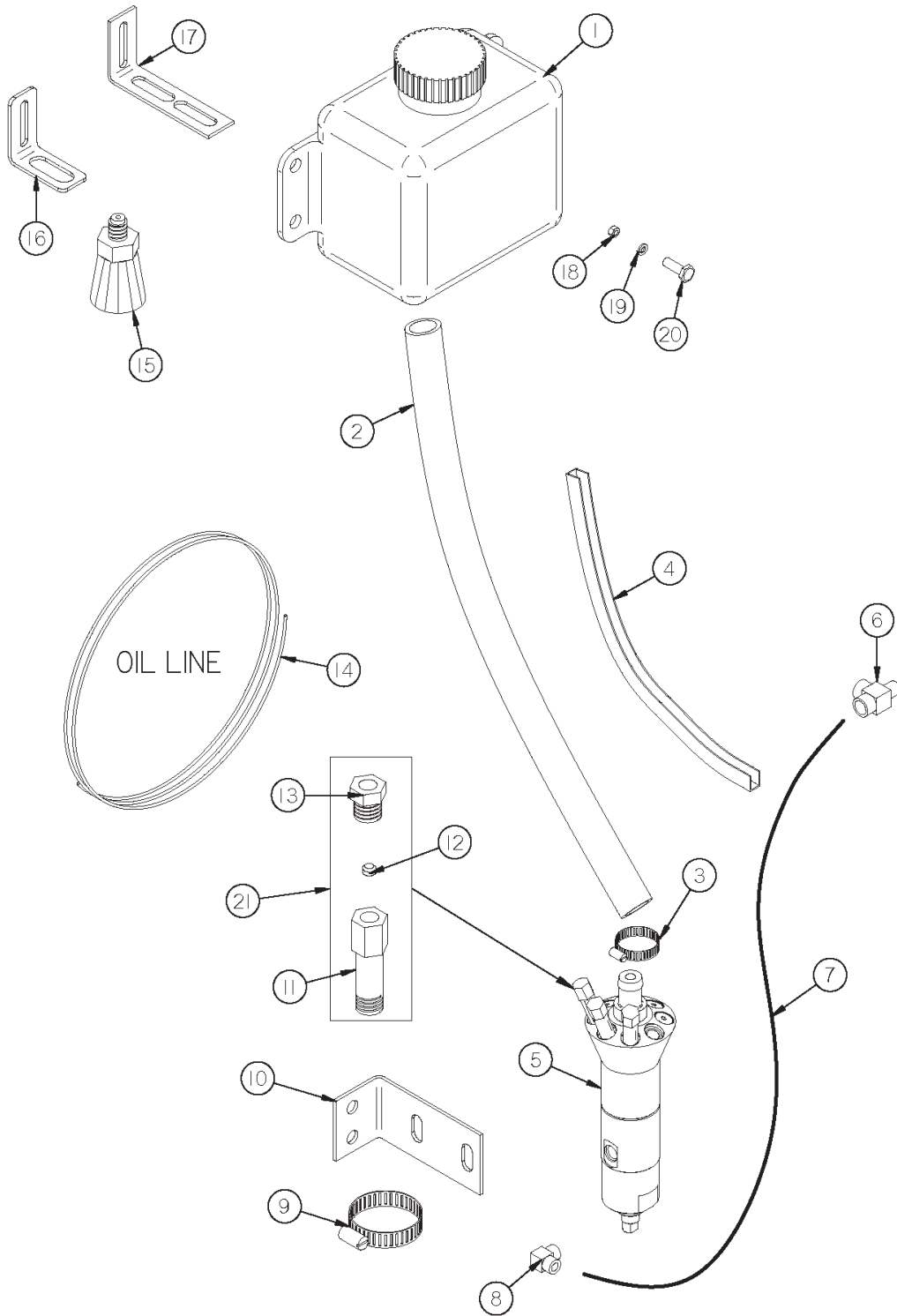


FIGURE 11

OILER

<u>ITEM</u>	<u>PART #</u>	<u>DESCRIPTION</u>
1	HGV63	RESERVOIR
2	HGV66	FILLER HOSE
3	HGV75	1" HOSE CLAMP
4	HGV77	EDGING 12"
5	HGV82	PUMP (COMPLETE)
6	23N116	3/8" STREET TEE (CHAMFER ON MALE END)
7	GM501	HYDRAULIC HOSE (1/4" x 29-3/4")
8	HGV65	O-RING/JIC ELBOW
9	HGV74	2" HOSE CLAMP
10	HGV68	PUMP MOUNT BRACKET
11	HGV86	STANDOFF
12	HGV87	FERRULE
13	HGV85	SLEEVE NUT
14	GM504	OILER TUBE (2 PCS. 5/16" OD X 48") BACK
*	GM505	OILER TUBE (1 PCS. 5/16" OD X 156") FRONT
15	HGV67	BRUSH
16	GM490	BRUSH BRACKET SHORT (FRONT)
17	HGV69	BRUSH BRACKET LONG (BACK)
18	YNHX08005	HEX NUT, 1/4"-20
19	YWLO08005	WASHER, LOCK, 1/4"
20	YBHH08010	BOLT, 1/4" X 1" GR. 5
21	HGV84	MANIFOLD ASSEMBLY (COMPLETE)
*	GM512	OILER KIT (COMPLETE)

NOTE: * MEANS NOT SHOWN

FIGURE 12

AUGER CIRCUIT

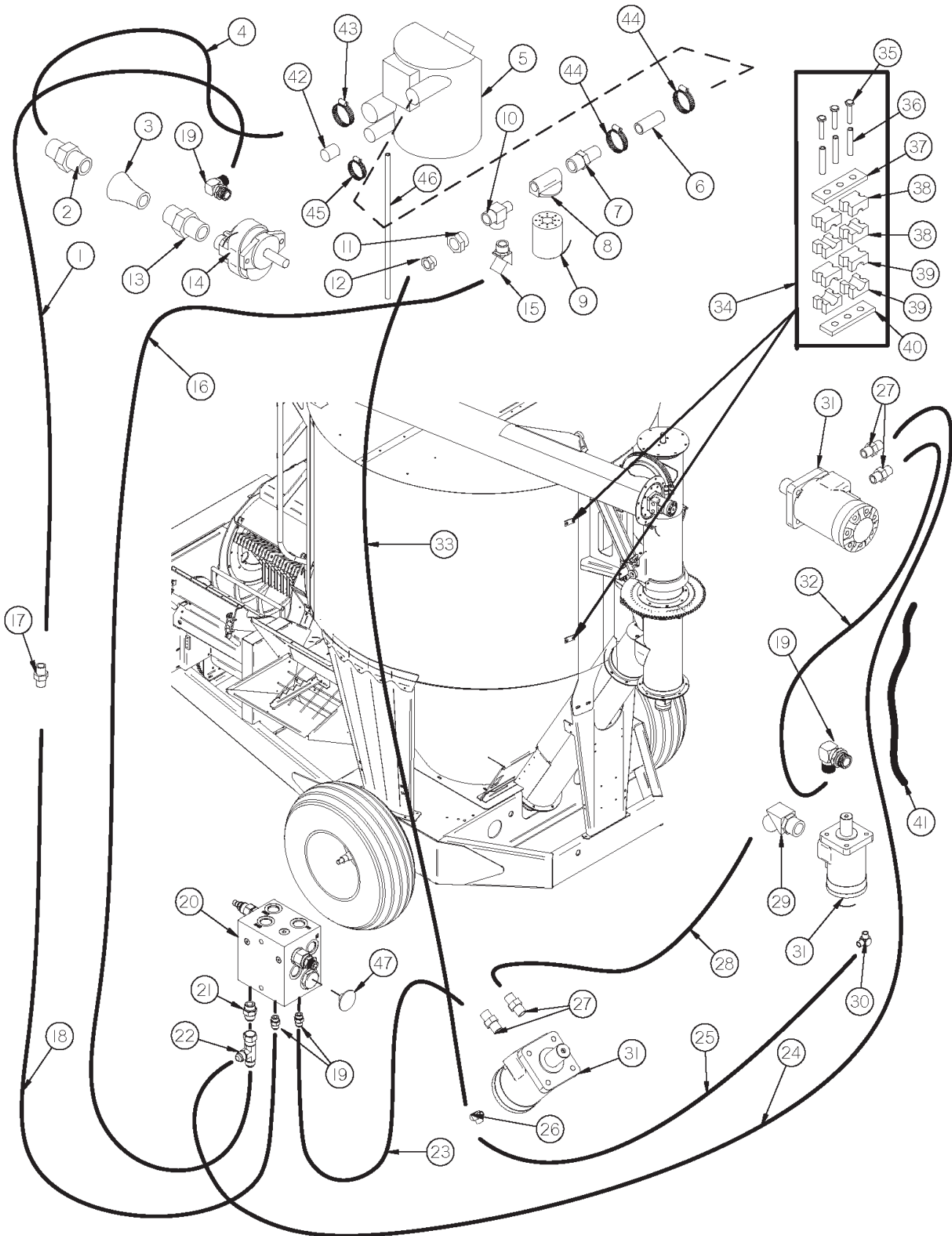


FIGURE 12

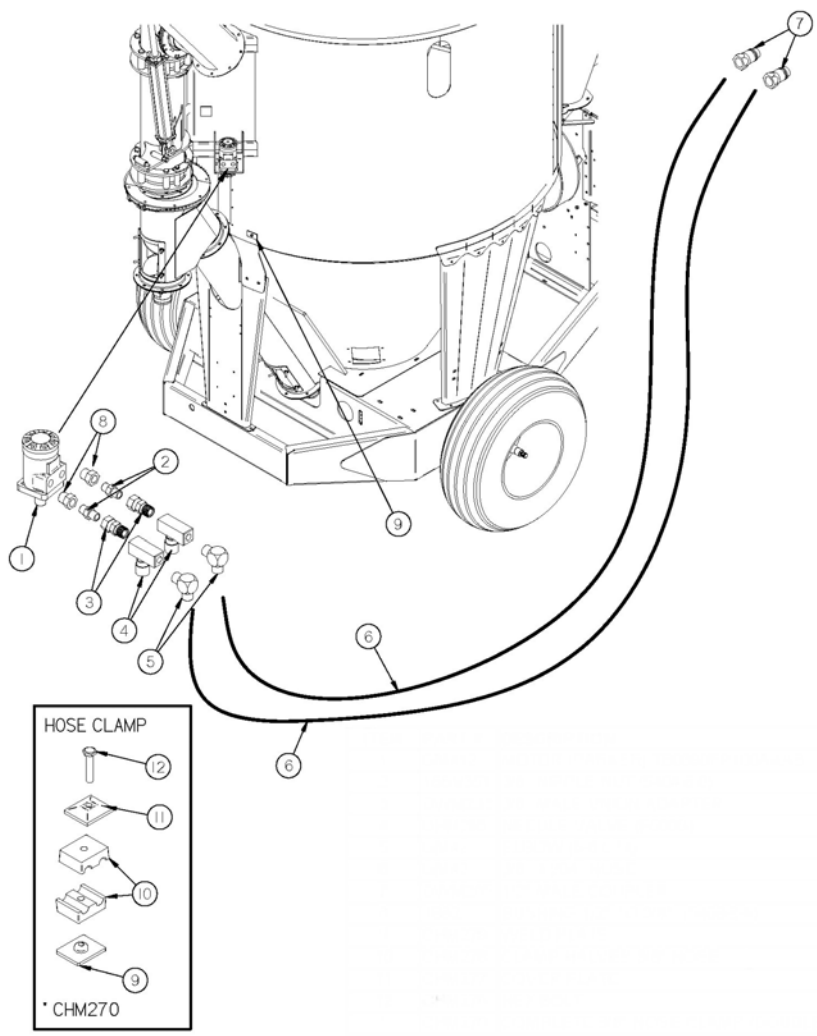
AUGER CIRCUIT

<u>ITEM</u>	<u>PART #</u>	<u>DESCRIPTION</u>
1	GM1	1/2" X 32" HOSE
2	GM2	ADAPTER (24FTX-S)
3	GM3	PIPE REDUCER (1-1/2" NPT TO 3/4")
4	GM4	1-1/2" X 64" SUCTION HOSE
5	GM5	RESERVOIR
6	GM6	1" X 3" HOSE
7	GM7	3/4" TO 1" HOSE BARB
8	LW288	FILTER HEAD
9	LW289	FILTER ELEMENT
10	GM10	3/4" STREET TEE (3/4 MRO)
11	GM11	REDUCER (3/4 X 1/4 PTR)
12	GM12	ADAPTER (4-4 FTX)
13	GM13	ADAPTER (12-3/4 F50F-S)
14	GM14	PUMP
15	GM15	45° ELBOW (12VTX)
16	GM549	HYDRAULIC HOSE 3/4" X 102" 106HY-12-12 X 106HY-12-12
17	GM17	UNION (8 HTX)
18	GM550	HYDRAULIC HOSE 1/2" X 111" 106HY-8-8 X 103HY-8-8
19	GM551	STRAIGHT THREAD CONNECTOR (8 F50X-S)
20	GM552	ON/OFF VALVE COMPLETE (FROM PRICE: PN# PEAA6182-01)
*	GM553	ON/OFF VALVE BODY (PEC PN# PEAA6181-01)
*	GM48	RELIEF CARTRIDGE - AUGER LIFT (SUN PN# RPEC-LAN)
*	GM554	RELIEF CARTRIDGE - MOTOR CIRCUIT (SUN PN# RPEC-LWN @3200 PSI)
*	GM555	ON/OFF CARTRIDGE (VICKERS PN# MPV1-10)
21	GM556	STRAIGHT THREAD CONNECTOR (12-8 F50X-S)
22	GM22	TEE (12R6X)
23	GM557	HYDRAULIC HOSE 1/2" X 52" 106HY-8-8 X 139HY-8-8
24	56767	1/2" X 120" HOSE
25	GM25	1/4" X 80" HOSE
26	GM26	TEE (4R50X-S)
27	GM27	ADAPTER (8-10 F50X)
28	GM28	1/2" X 79" HOSE
29	GM29	45° ELBOW (8-10 V50X)
30	GM30	ELBOW (4C50X-S)
31	GM464	MOTOR (101-2180-009)
32	GM34	1/2" X 116" HOSE
33	GM35	1/4" X 51" HOSE
34	GM8	HOSE CLAMP 3/8" X 1/2" (COMPLETE)
35	GM62	BOLT
36	GM63	TUBE
37	GM64	TOP PLATE
38	GM65	3/8" INSERT
39	GM66	1/2" INSERT
40	GM67	WELD PLATE
41	GM32	SPIRAL WRAP (HG125) 1-1/4" x 2'
42	GM37	PORT CAP (NEW STYLE FROM VALUE ADDED)
43	GM38	1-1/2" HOSE CLAMP
44	DWM123	1" HOSE CLAMP
45	56642	#10 1/2" TO 1-1/16" BAND HOSE CLAMP
46	GM509	BREATHER TUBE
47	57370	CARTRIDGE - DIRECTIONAL, 2P/2W, N.C., POPPET

NOTE: * MEANS NOT SHOWN

FIGURE 13

AUGER SWING CIRCUIT

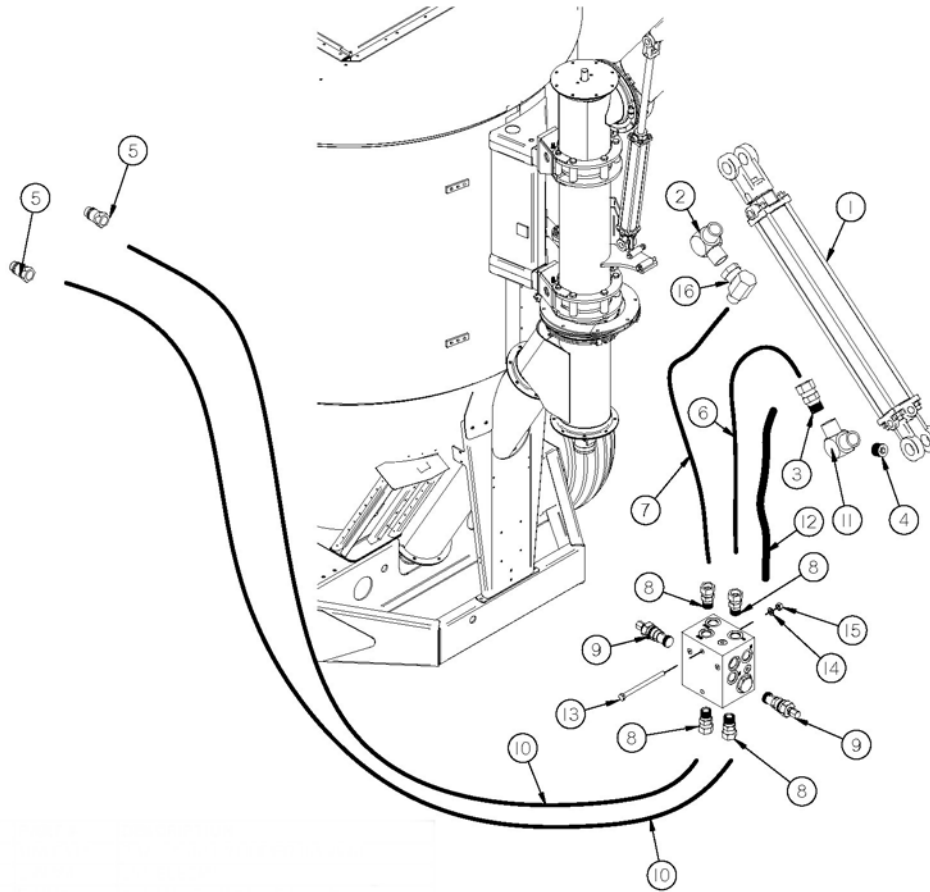


<u>ITEM</u>	<u>PART #</u>	<u>DESCRIPTION</u>
1	GM412	MOTOR (PARKER) TB0390FP100AAAB
2	16SV351	3/8" NIPPLE NUT (5404-6-6)
3	DWM233	3/8" MALE UNION ADAPTER
4	CHM265	NEEDLE VALVE (F600S)
5	GM42	ELBOW (6-6 CTX)
6	GM43	3/8" X 264" HOSE
7	DWM205	1/2" MALE COUPLER
8	JB82	BUSHING 1/2" TO 3/8" (5406-8-6)
9	CHM279	WELD PLATE
10	CHM278	CLAMP HALVES 3/8" HOSE
11	CHM277	COVER PLATE
12	CHM276	HEX BOLT
*	CHM270	COMPLETE 3/8" HOSE CLAMP (DOUBLE)

NOTE: * MEANS NOT SHOWN

FIGURE 14

AUGER LIFT CIRCUIT



ITEM	PART #	DESCRIPTION
1	10WR11A	2-1/2" X 16" CYLINDER (645886)
2	23N234	3/8" ELBOW
3	DWM233	3/8" MALE UNION ADAPTER
4	GM455	RESTRICTOR (.032)
5	DWM205	1/2" MALE COUPLER
6	GM45	3/8" X 130" HOSE
7	GM46	3/8" X 125" HOSE
8	GM47	ADAPTER (0507-6-6)
9	GM48	RELIEF CARTRIDGE
10	GM51	3/8" X 240" HOSE
11	GM446	3/8" STREET ELBOW
*	GM2AS16	3/8" STREET ELBOW W/ RESTRICTOR
12	GM32	SPIRAL WRAP (HG125) 1-1/4" x 2'
13	YBHH10130	BOLT, 5/16" X 5" GR. 5
14	YWLO10005	WASHER, LOCK, 5/16"
15	YNHX10005	HEX NUT, 5/16"
16	DWM110	3/8" FEMALE SWIVEL

NOTE: * MEANS NOT SHOWN

FIGURE 15

GEARBOX

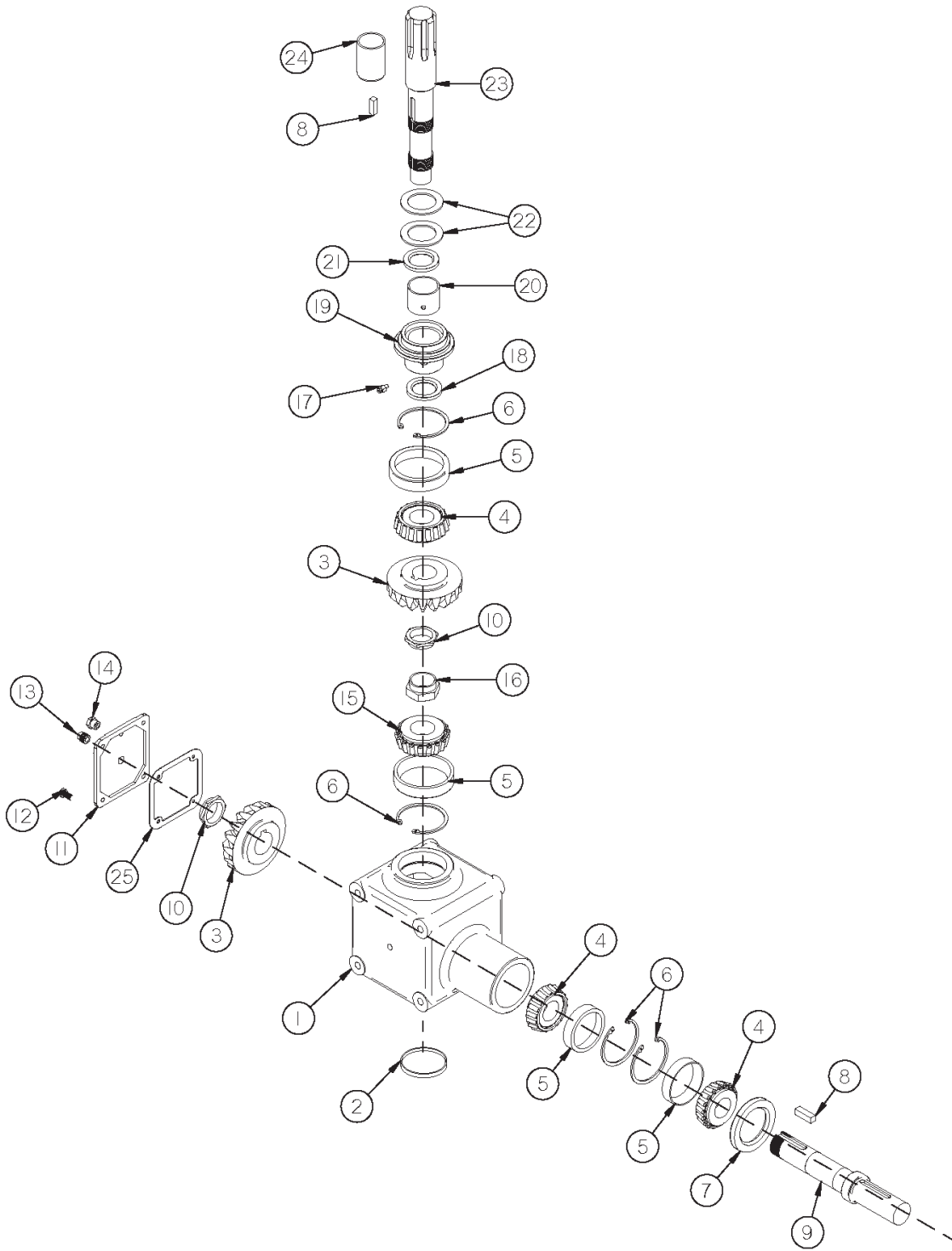


FIGURE 15

GEARBOX

<u>ITEM</u>	<u>PART #</u>	<u>DESCRIPTION</u>
1	G50	HOUSING
2	G68	CAP
3	G52	BEVEL GEAR
4	G53	BEARING CONE (14137A)
5	G54	BEARING RACE (14276)
6	G55	SNAP RING
7	G64	SEAL (F465)
8	23N139	KEY 3/8" X 1-3/8" (HARDENED)
9	GM495	INPUT SHAFT
10	G58	STAKE NUT (1-3/8"-18)
11	GM484	COVER
12	G56	CAPSCREW
13	G65	PLUG 3/8" NPT
14	G67	VENT 1/8" NPT
15	GM496	BEARING CONE (14117A)
16	GM486	STAKE NUT LONG (1-3/8"-18)
17	GM497	FITTING (O-Ring 1/8"-27 NPT)
18	GM498	SEAL (19745)
19	GM482	GEARBOX SEAL EXTENSION
20	GM487	BUSHING (2-1/4" OD x 2" ID x 1.765)
21	GM499	SEAL (19786)
22	RG24	THRUST WASHER (2" ID x 3" OD x 1/8")
23	GM500	OUTPUT SHAFT
24	GM483	GEARBOX OUTPUT BUSHING
25	G66	GASKET
*	GM489	COMPLETE MACHINE GEARBOX

NOTE: * MEANS NOT SHOWN

FIGURE 16
INFEEED CONVEYOR PIVOT

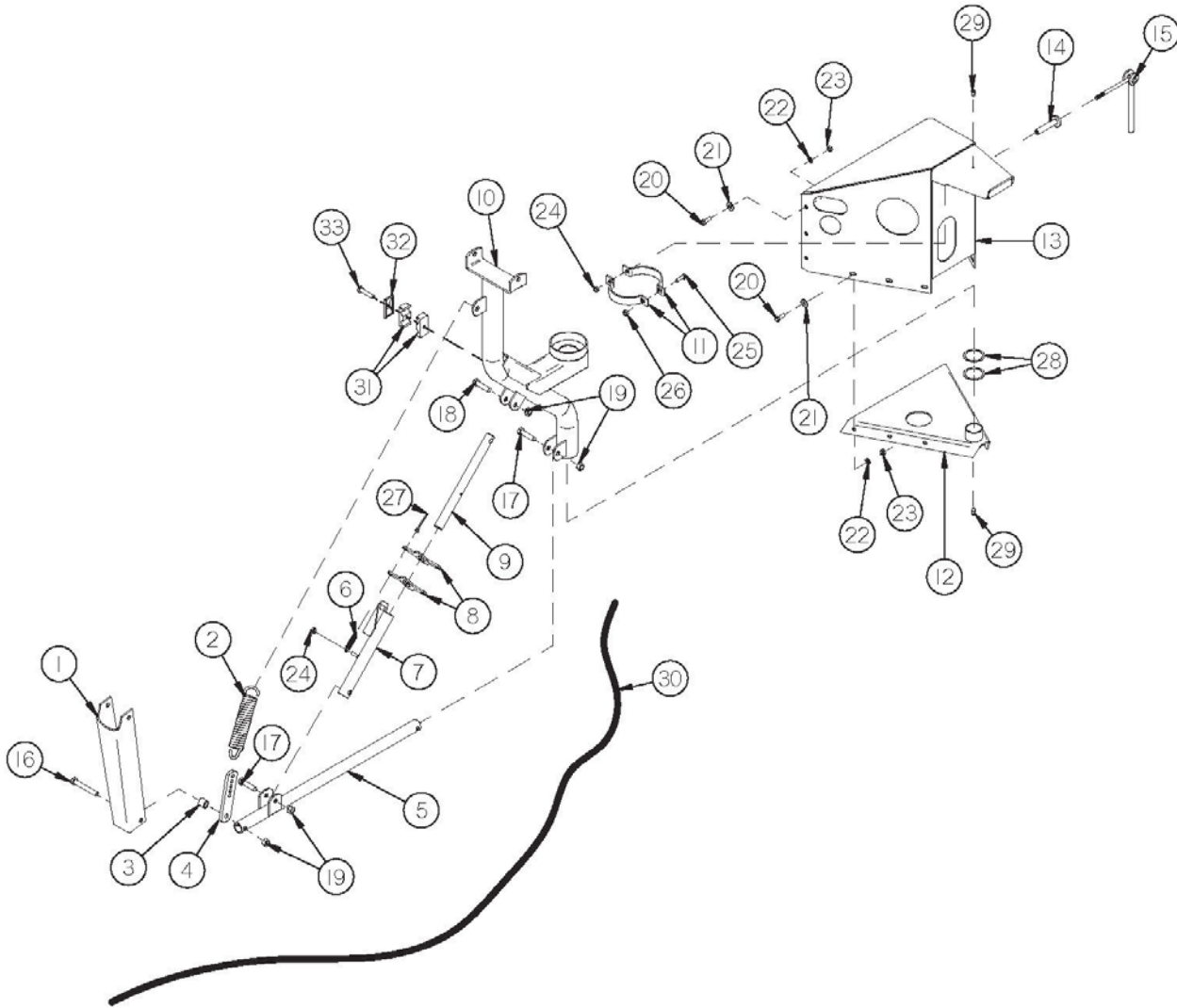


FIGURE 16

INFEED CONVEYOR PIVOT

<u>ITEM</u>	<u>PART #</u>	<u>DESCRIPTION</u>
1	GM203	SUPPORT
2	GM204	SPRING (40174)
3	GM205	SPACER
4	GM206	SPRING ADJUSTMENT
5	GM207	PIVOT LINKAGE
6	GM208	SPRING (17H387)
7	GM209	LOCKING TUBE
8	GM210	LOCKING LEVER
9	GM211	LOCKING SHAFT
10	GM212	PIVOT MAIN SUPPORT
11	GM213	BRAKE BAND
12	GM214	BOTTOM SUPPORT
13	GM215	TOP SUPPORT
14	GM216	LEVER GUIDE
15	GM217	BRAKE LEVER
16	YBHH16115	BOLT, 1/2" X 3-1/2" GR. 5
17	YBHH16095	BOLT, 1/2" X 2-1/4" GR. 5
18	YBHH16065	BOLT, 1/2" X 2" GR. 5
19	YNL16005	HEX NUT, TOP LOCK, 1/2"-13
20	YBHH12010	BOLT, 3/8" X 1" GR. 5
21	YWFL12005	WASHER, FLAT, 3/8" USS
22	YWLO12005	WASHER, LOCK, 3/8"
23	YNHX12005	HEX NUT, 3/8"-16
24	YNL12005	HEX NUT, TOP LOCK, 3/8"-16
25	YBHH10045	BOLT, 5/16" X 1-1/4" GR. 5
26	YNL10005	HEX NUT, TOP LOCK, 5/16"-18
27	YPCT06002	COTTER PIN, 3/16" X 1"
28	GM219	PIVOT SPACER
29	RG51	GREASE FITTING 90°
30	GM434	TRIP ROPE
31	GM70	1/2" INSERT
32	GM69	TOP PLATE
33	GM68	BOLT

FIGURE 17

INFEEED CONVEYOR

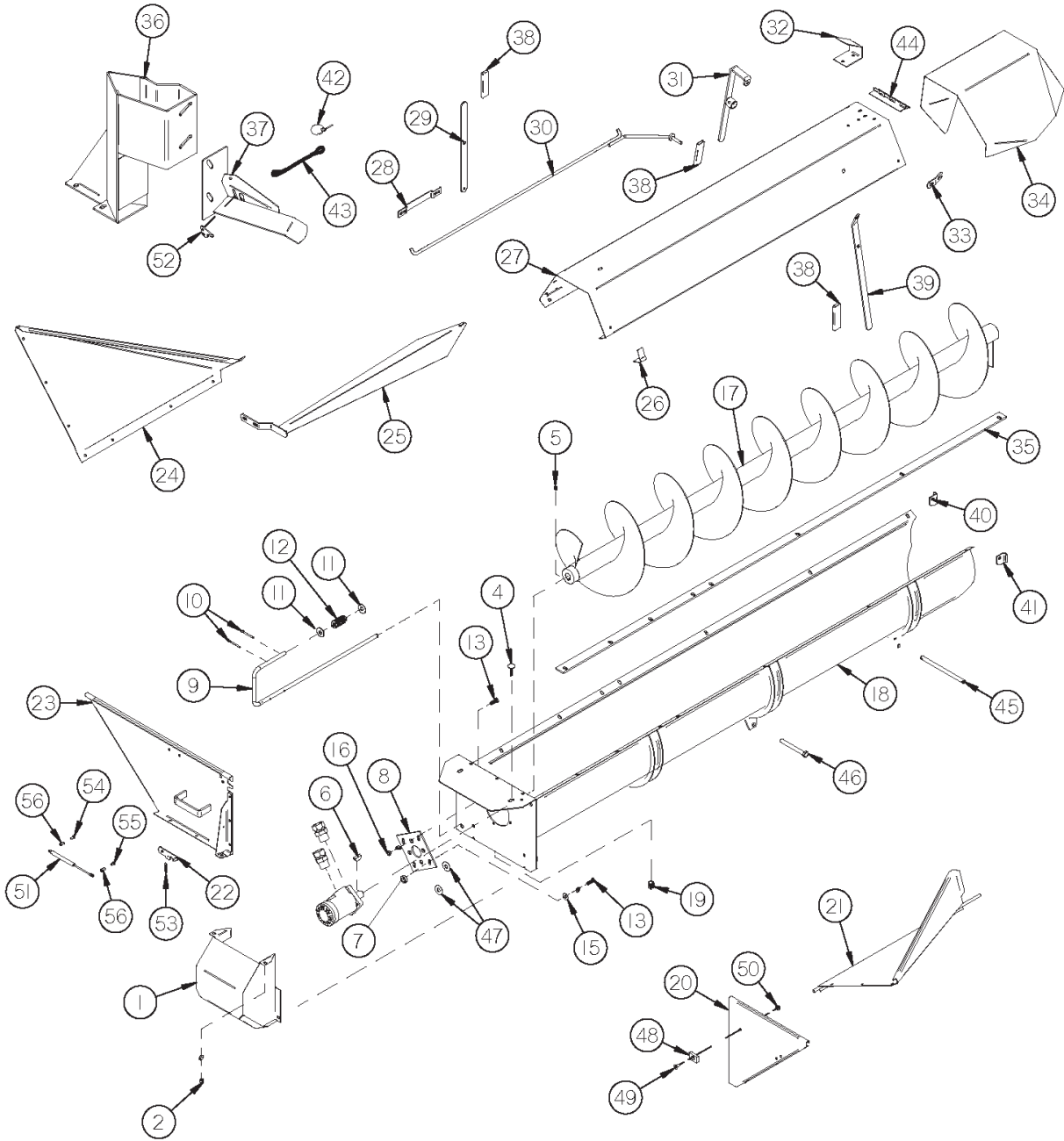


FIGURE 17

INFEED CONVEYOR

<u>ITEM</u>	<u>PART #</u>	<u>DESCRIPTION</u>
1	GM178	SHIELD
2	YNHX10005	HEX NUT, 5/16"
3	YWLO10005	WASHER, LOCK, 5/16"
4	YBCR10010	CARR. BOLT, 5/16" X 1" GR. 5
5	YSKP08010	SET SCREW, SOCKET, KNURLED CUP PT, 1/4"-20 X 1/2"
6	5B10	1/4" KEY
7	GM180	SPACER
8	GM181	MOTOR MOUNT
9	GM182	HANDLE LATCH
10	YPCT04005	COTTER PIN, 1/8" X 1"
11	YWFL16005	WASHER, FLAT, 1/2" USS
12	17G128	SPRING
13	YBHH12130	BOLT, 3/8" X 3/4" GR. 2
14	YWLO12005	WASHER, LOCK, 3/8"
15	YWFL12005	WASHER, FLAT, 3/8" USS
16	YNHX12005	HEX NUT, 3/8"-16
17	GM184	AUGER
18	GM185	TROUGH
19	GM202	1/2" PLUG (5406-8P)
20	GM186	TROUGH END RIGHT
21	GM187	SIDE TROUGH
22	GM188	TROUGH LATCH
23	0161WE23	TROUGH END
24	GM190	TROUGH SIDE LEFT
25	GM191	AUGER GUARD
26	GM192	SUPPORT PIVOT
27	GM193	CONVEYOR COVER
28	GM194	HANDLE GUIDE
29	GM195	HANDLE
30	GM196	FLOW CONTROL ROD

FIGURE 17

INFEEED CONVEYOR

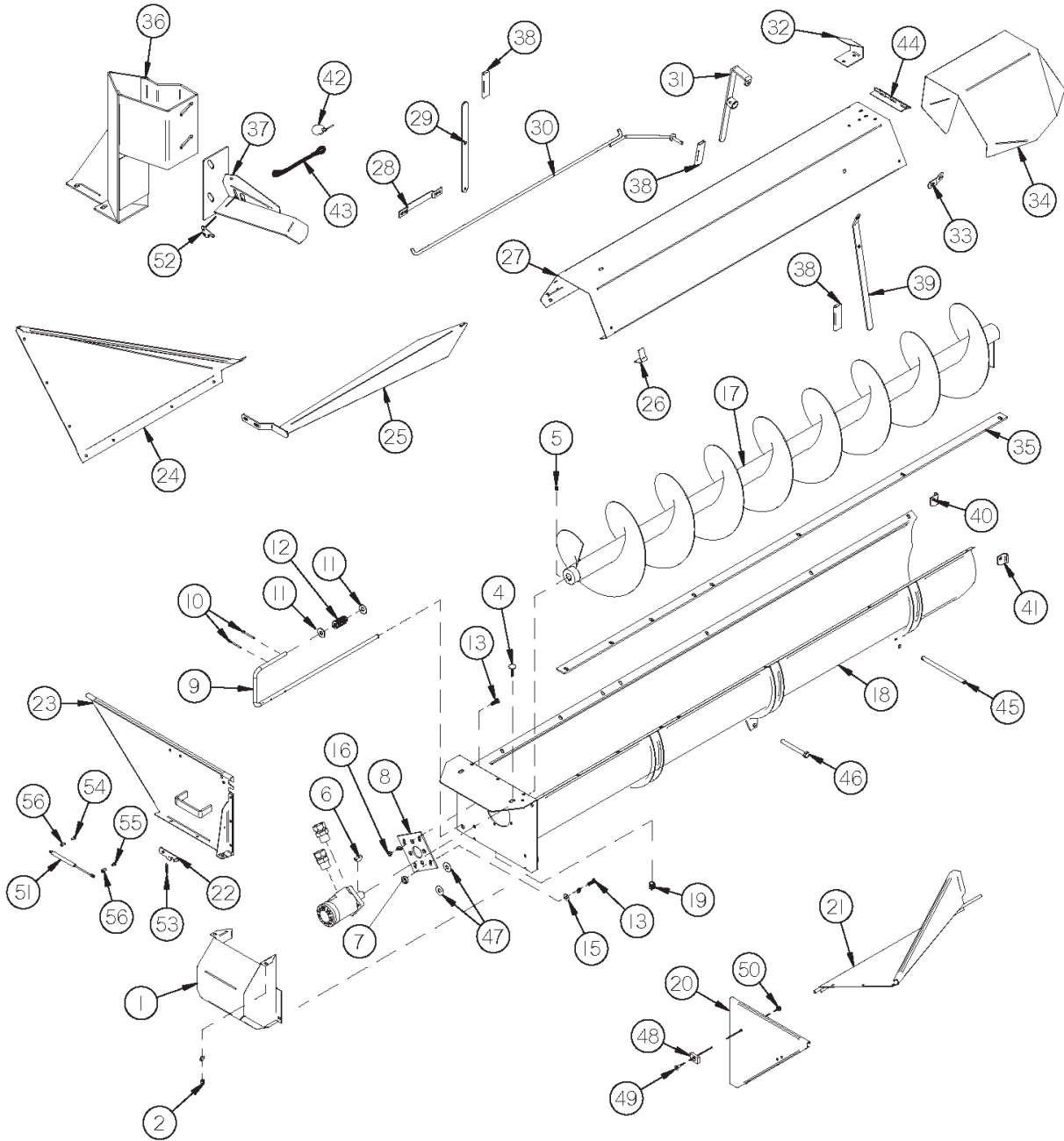


FIGURE 17

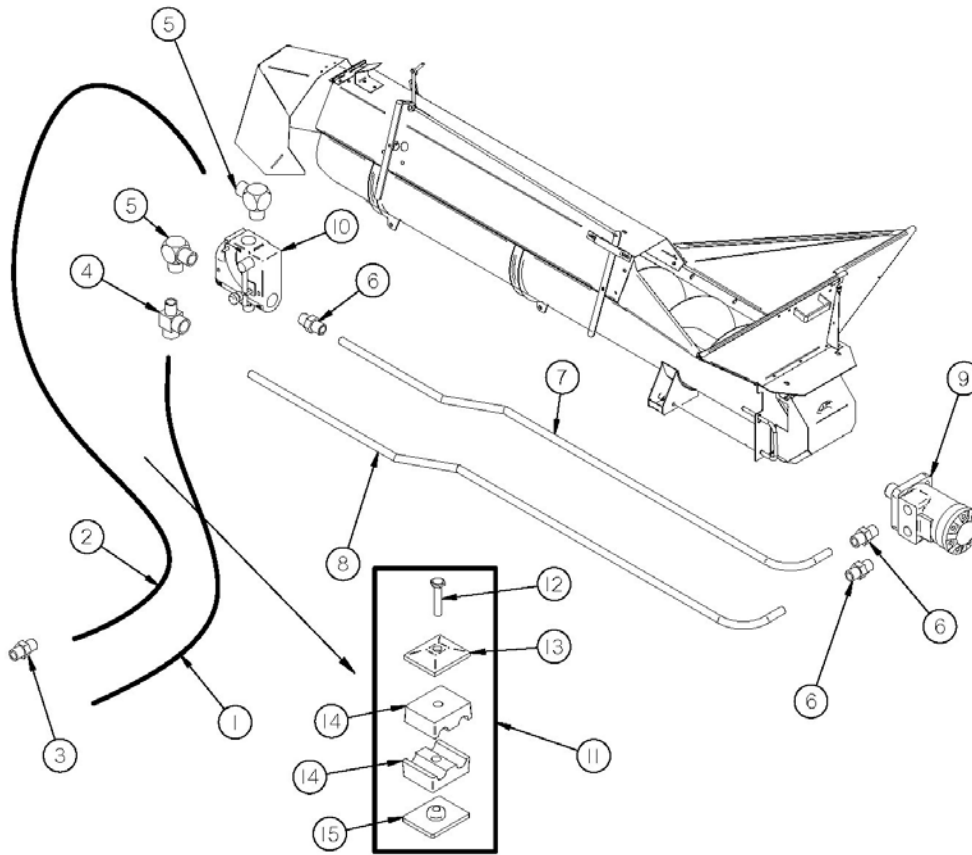
INFEED CONVEYOR

<u>ITEM</u>	<u>PART#</u>	<u>DESCRIPTION</u>
31	GM197	FLOW CONTROL HANDLE
32	GM198	TROUGH EXTENSION STOP
33	GM199	COVER HOLDER
34	GM200	TROUGH EXTENSION
35	GM201	SCRAPER
36	GM54	TRANSPORT POST
37	GM75	TRANSPORT SUPPORT
38	GM370	HANDLE GRIP
39	GM371	CONTROL HANDLE
40	GM372	COVER STOP RIGHT
41	GM373	COVER STOP LEFT
42	PB190	LYNCH PIN
43	S122	LANYARD
44	GM126	HINGE
45	GM458	PIVOT PIN
46	YBHH16140	BOLT, 1/2" X 4-1/2" GR. 5
47	S304	WASHER
48	0161PL01	POLY BUMPER
49	YSFS10001	FLAT HEAD SOCKET CAP SCREW, 5/16"-18 X 3/4" GR. 5 ZINC
50	YNSF10005	5/16"-18, SERRATED HAX FLANGE NUT
51	8346	GAS SPRING - 20LB
*	TS381	10 MM STEEL BALL SOCKET (9416K74)
*	TS382	10 MM BALL MOUNTING (9512K73)
52	01616G22	ADJUSTABLE LOCK
53	GM208	SPRING (17H387)
54	YBHH10105	BOLT, 5/16" X 3/4" GR. 5
55	YBHH10020	BOLT, 5/16" X 1/2" GR. 5
56	YNCO10005	HEX NUT, COUPLING, 5/16"-18 X 7/8"

NOTE: * MEANS NOT SHOWN

FIGURE 18

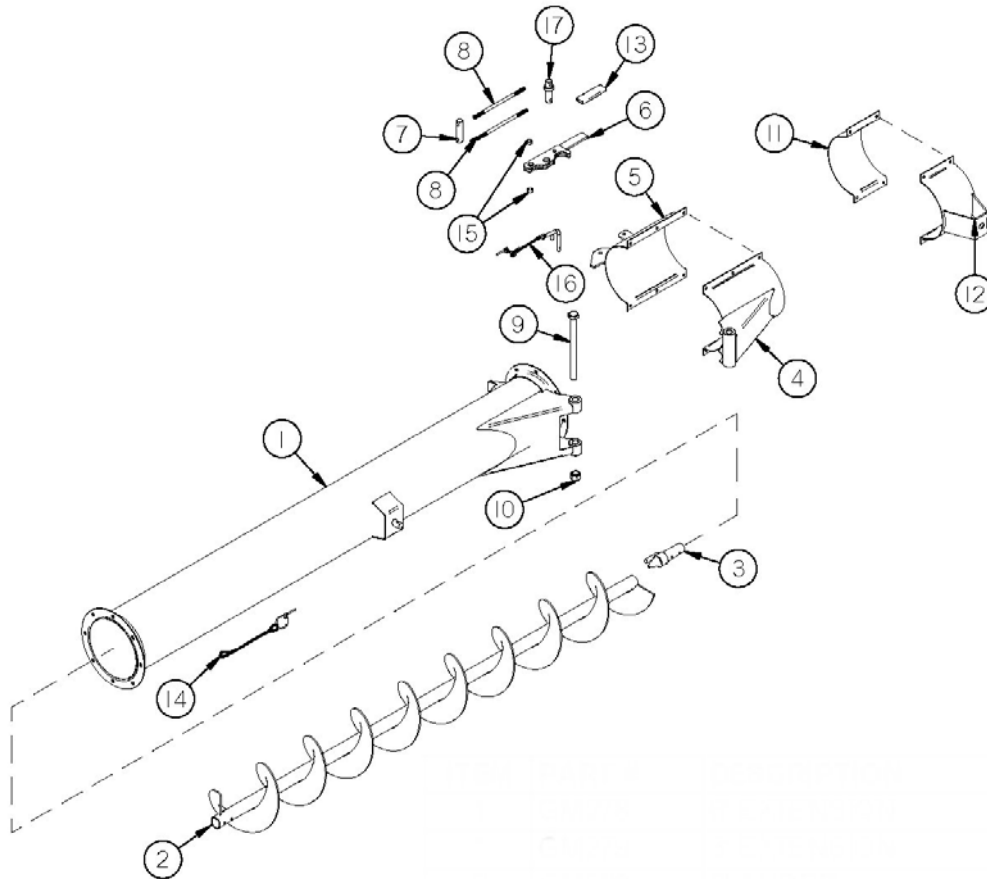
INFEEED AUGER CIRCUIT



<u>ITEM</u>	<u>PART #</u>	<u>DESCRIPTION</u>
1	GM52	1/2" X 81-1/4" HOSE
2	GM53	1/2" X 97-1/2" HOSE
3	GM17	ADAPTER (8 HTX)
4	GM55	TEE (10 R6X)
5	GM56	ELBOW (10 C50X)
6	GM57	ADAPTER (10 F50X)
7	GM58	PRESSURE TUBE
8	GM59	RETURN TUBE
9	GM61	MOTOR (101-1013-009)
10	GM20	FLOW CONTROL
11	GM9	HOSE CLAMP 1/2" TWIN (COMPLETE)
12	GM68	BOLT
13	GM69	TOP PLATE
14	GM70	1/2" INSERT
15	GM71	WELD PLATE

FIGURE 19

3' & 6' AUGER EXTENSION



<u>ITEM</u>	<u>PART #</u>	<u>DESCRIPTION</u>
1	GM278	6' EXTENSION
*	GM279	3' EXTENSION
2	GM280	6' AUGER
*	GM281	3' AUGER
3	GM282	AUGER CONNECT SHAFT
4	GM283	PIVOT CLAMP
5	GM284	LATCH CLAMP
6	GM285	LATCH HANDLE
7	GM286	LATCH PIVOT SHAFT
8	GM287	LATCH ROD
9	YBHH24120	BOLT, 3/4" X 9" GR. 5
10	YNTL24005	HEX NUT, TOP LOCK, 3/4"-10
11	GM289	TRANSPORT LOCK CLAMP
12	GM290	TRANSPORT LOCK LATCH
13	GM370	HANDLE GRIP
14	S122	CLIP PIN W/ LANYARD
15	GM180	PIVOT SPACER
16	GM573	LATCH PIN W/ CLIP PIN & LANYARD
17	GM369	LATCH PIVOT PIN
18	GMOCE	CRADLE EXTENSION (OPTIONAL)

NOTE: * MEANS NOT SHOWN

FIGURE 20

OPTIONAL LIGHTS

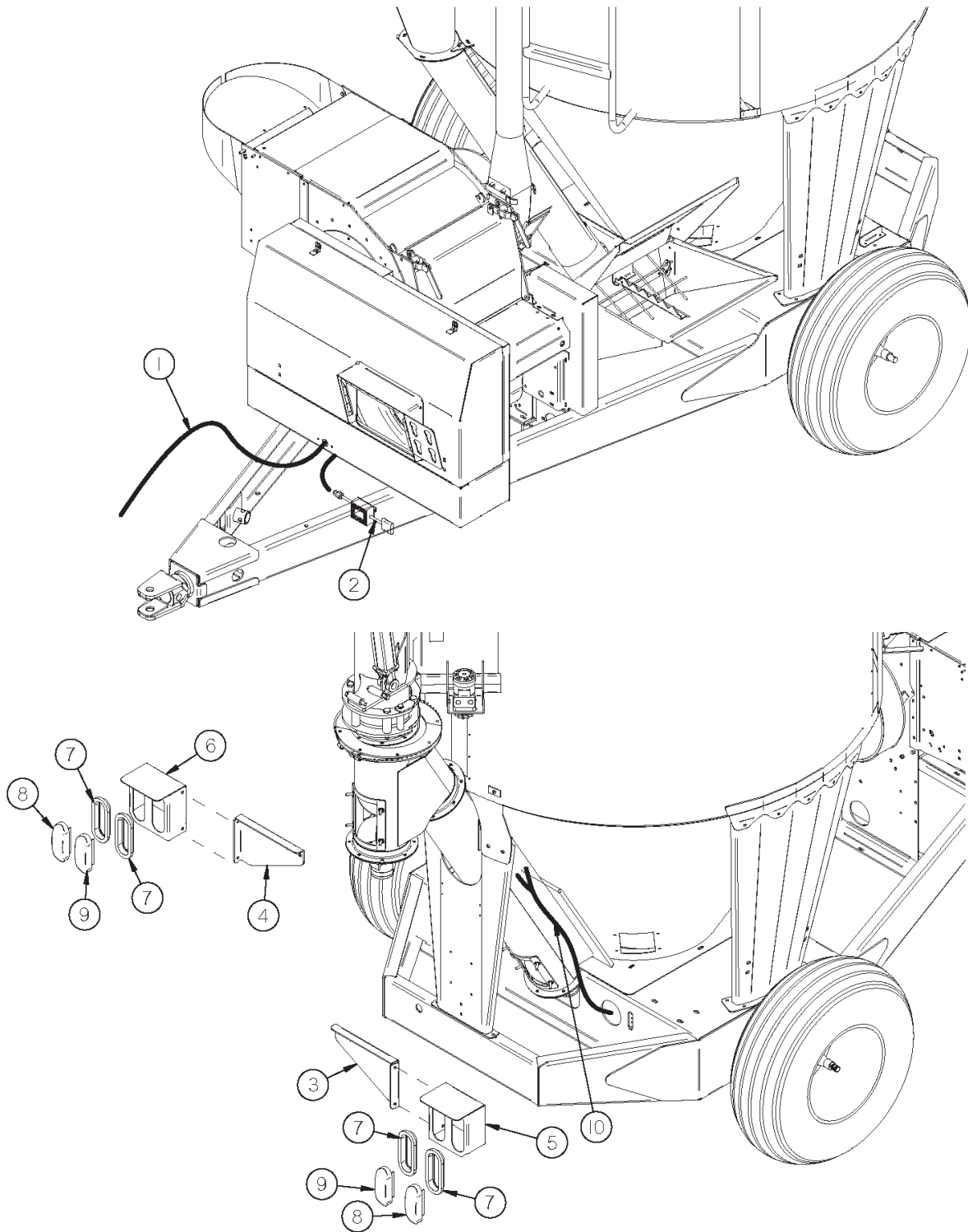


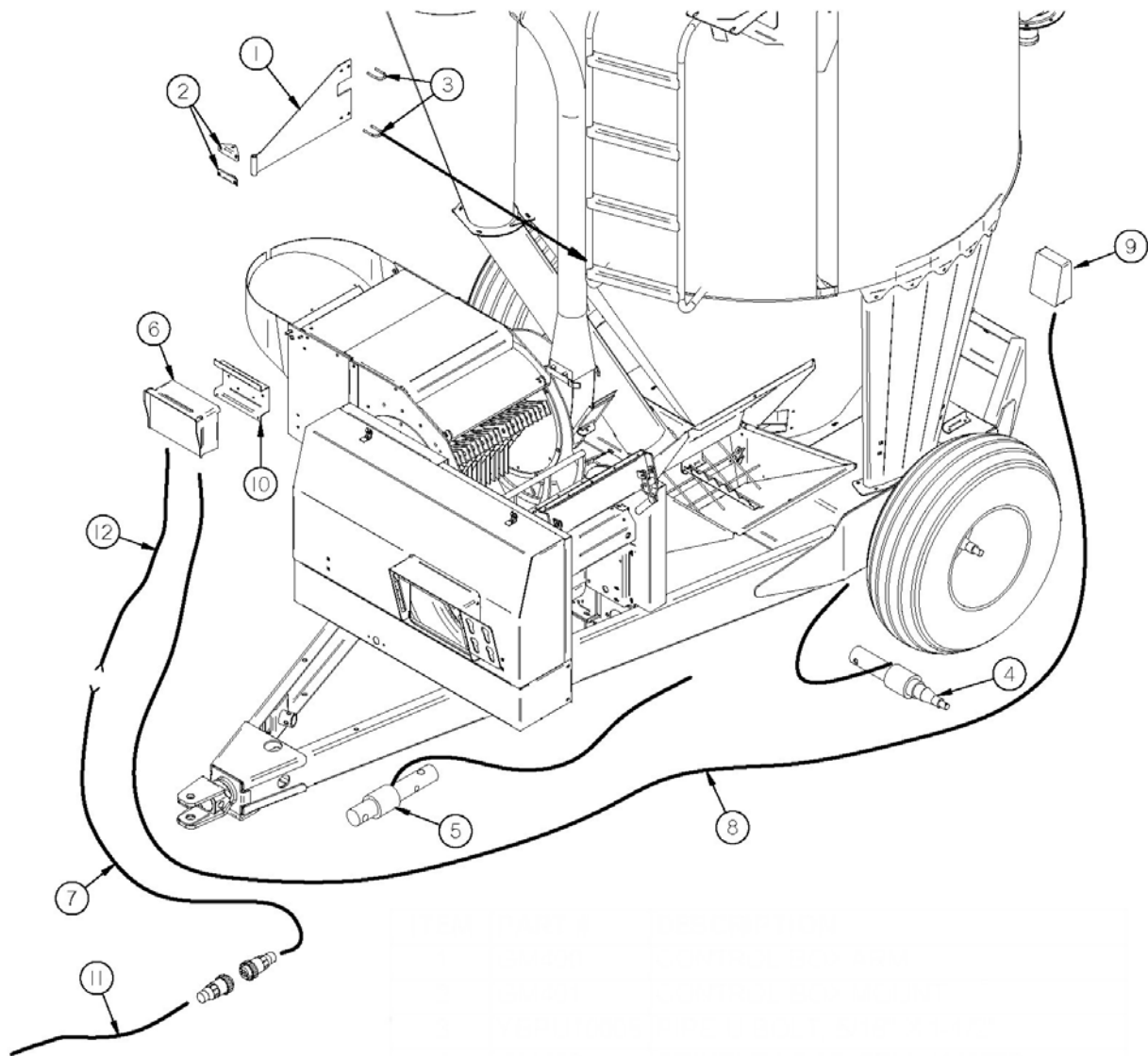
FIGURE 20

OPTIONAL LIGHTS

<u>ITEM</u>	<u>PART #</u>	<u>DESCRIPTION</u>
1	56N154	FLASHER MODULE LOOM
2	S441	FLASHER MODULE
3	GM330	LIGHT BRACKET RIGHT
4	GM331	LIGHT BRACKET LEFT
5	55N62	LIGHT HOUSING RIGHT
6	55N61	LIGHT HOUSING LEFT
7	S308	RUBBER GROMMET
8	S309	AMBER HAZARD LIGHT
9	S310	RED HAZARD LIGHT
10	GM502	LIGHT HARNESS

FIGURE 21

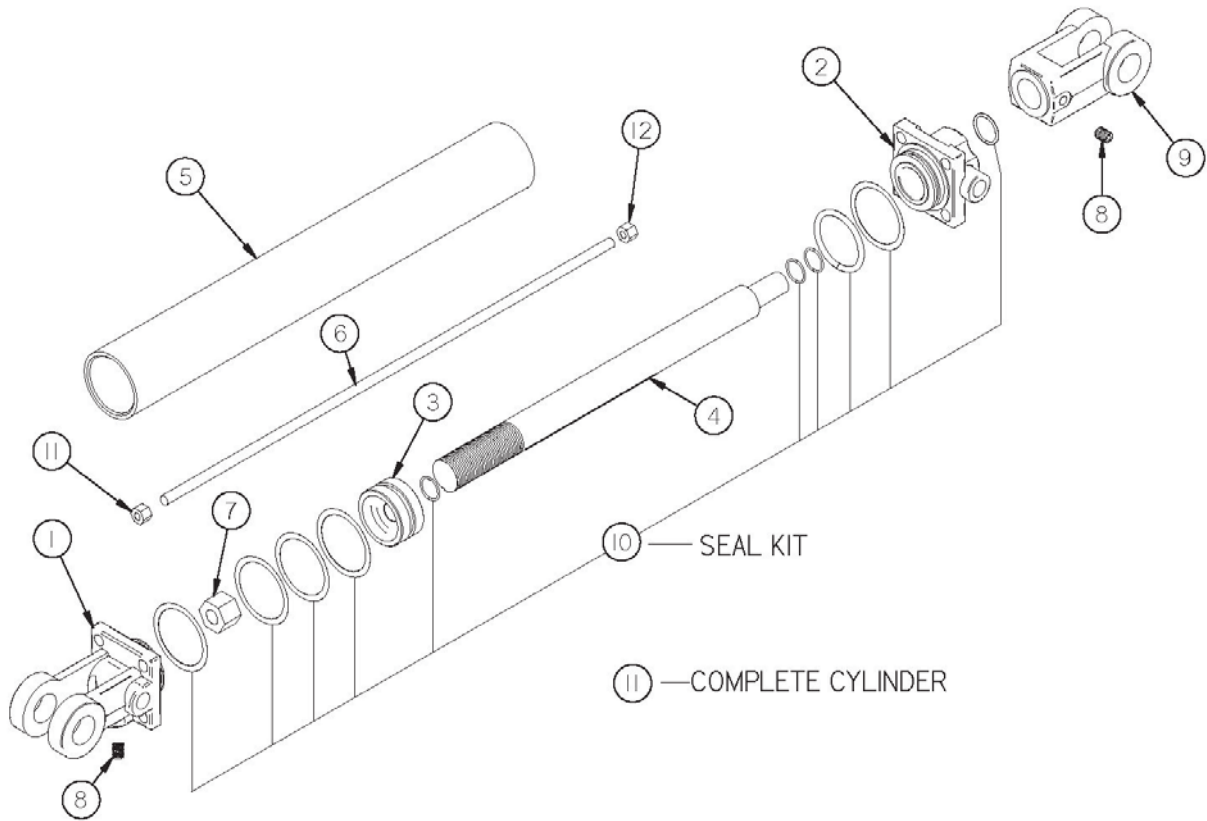
OPTIONAL SCALE



<u>ITEM</u>	<u>PART #</u>	<u>DESCRIPTION</u>
1	GM400	CONTROL BOX ARM
2	GM401	CONTROL BOX MOUNT
3	YBPU10005	PIPE U BOLT, 5/16" X 1-1/2"
4	GM402	SPINDLE LOAD CELL (146772)
5	GM403	HITCH LOAD CELL (143480)
6	GM404	SCALE DISPLAY (400590)
7	GM405	POWER CORD
8	GM406	JUNCTION BOX CORD (824316)
9	GM407	JUNCTION BOX (404465)
10	GM408	SCALE HANGER BRACKET (840459)
11	16SV269	TRACTOR POWER CORD
12	TS385	CABLE POWER 10FT 4-WIRE 146698

FIGURE 22

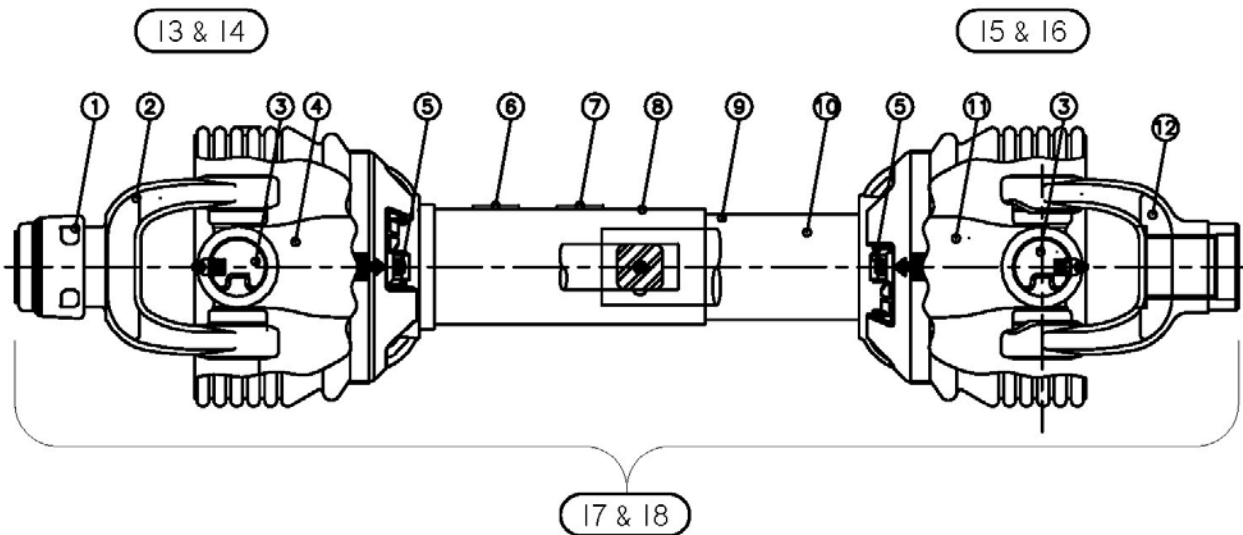
HYDRAULIC CYLINDER



<u>ITEM</u>	<u>QTY</u>	<u>PART #</u>	<u>DESCRIPTION</u>
1	1	T181A	CLEVIS CAP
*	1	56173	CLEVIS CAP
2	1	T182A	ROD CAP
*	1	56175	ROD CAP
3	1	T183	PISTON
*	1	56181	PISTON
4	1	23N145A	ROD
5	1	10WR45	CYLINDER TUBE
6	4	23N147	TIE ROD
7	1	23N148	PISTON NUT
8	2	23N149	PLUG
9	1	23N150A	ROD CLEVIS
10	1	T187	SEAL KIT
*	1	56188	SEAL KIT
11	1	10WR11A	COMPLETE HYDRAULIC CYLINDER
*	1	56007	COMPLETE HYDRAULIC CYLINDER
12	8	YNHX12005	HEX NUT, 3/8"-16

FIGURE 23

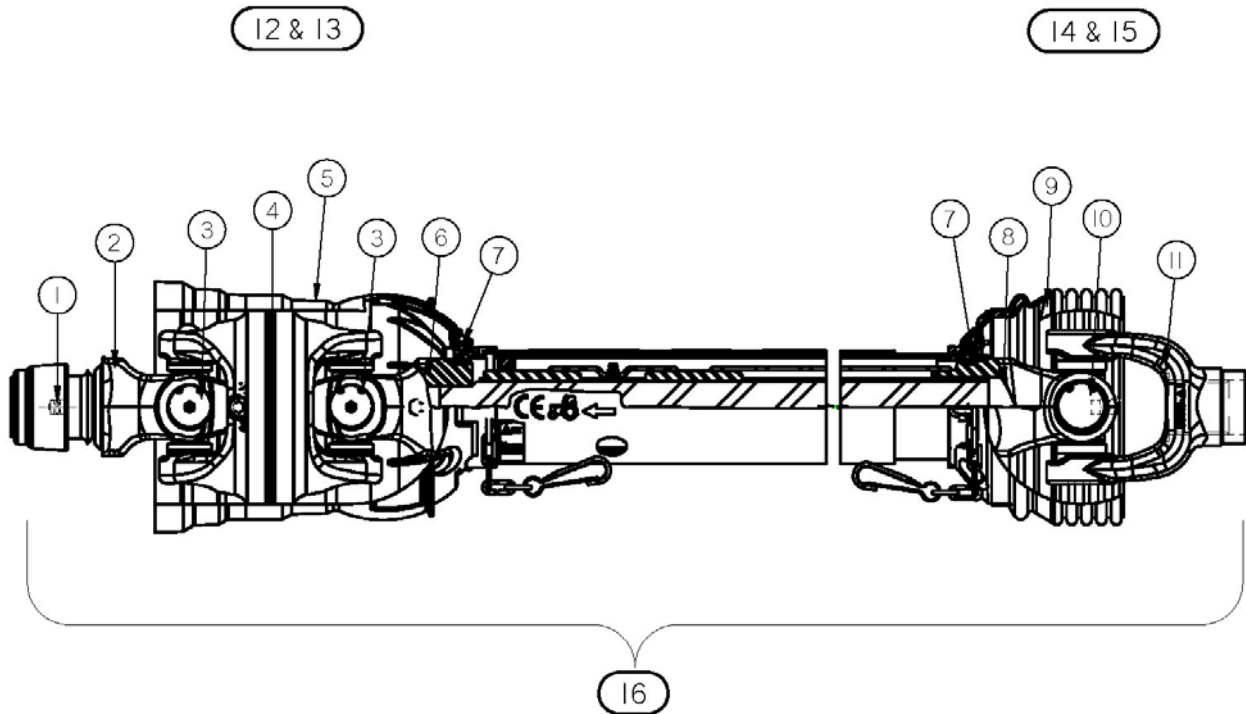
PTO



<u>ITEM</u>	<u>540 RPM</u>	<u>1000 RPM 1-3/8"</u>	<u>DESCRIPTION</u>
1	16SV274	"	SAFETY SLIDE LOCK REPAIR KIT 540 RPM
2	GM374	GM375	SAFETY SLIDE LOCK YOKE ASSEMBLY 540 RPM
3	GM376	"	55R CROSS & BEARING KIT
4	GM377	"	YOKE & SHAFT
5	GM378	"	NYLON REPAIR KIT (NOT SHOWN)
6	16SV283	"	SAFETY SIGN
7	GM379	GM380	SAFETY SIGN
8	GM381	GM476	OUTER GUARD
9	GM382	"	INNER GUARD
10	16SV286	"	SAFETY SIGN (NOT SHOWN)
11	GM383	"	YOKE, TUBE & SLIP SLEEVE
12	GM384	"	YOKE
13	GM385	GM477	JOINT & SHAFT HALF ASSEMBLY W/ GUARD
14	GM386	GM478	JOINT & SHAFT HALF ASSEMBLY
15	GM387	"	JOINT & TUBE HALF ASSEMBLY W/ GUARD
16	GM388	"	JOINT & TUBE HALF ASSEMBLY
17	GM389	---	COMPLETE PTO 540 RPM (262-23944)
18	---	GM390	COMPLETE PTO 1000 RPM 1-3/8" (262-23956)

NOTE: " MEANS SAME AS PREVIOUS MODEL
 --- MEANS NOT USED ON THIS MODEL

FIGURE 24 EUROPEAN PTO



<u>ITEM</u>	<u>PART #</u>	<u>DESCRIPTION</u>
1	16SV274	SAFETY SLIDE LOCK REPAIR KIT
2	56655	SAFETY SLIDE LOCK YOKE ASSEMBLY
3	56656	CROSS KIT
4	56509	WWCV CENTER HOUSING
5	56657	OUTER GUARD
6	56658	YOKE & SHAFT
7	56659	GUARD REPAIR KIT
8	56663	YOKE, TUBE & SLIP SLEEVE
9	56664	INNER GUARD
10	GM376	55R CROSS KIT
11	GM384	YOKE
12	56650	JOINT & SHAFT HALF ASSEMBLY W/ GUARD
13	56651	JOINT & SHAFT HALF ASSEMBLY
14	56652	JOINT & TUBE HALF ASSEMBLY W/ GUARD
15	56653	JOINT & TUBE HALF ASSEMBLY
16	8518	COMPLETE PTO

FIGURE 25

OPTIONAL HI MOISTURE KIT (540 RPM & 1000 RPM)

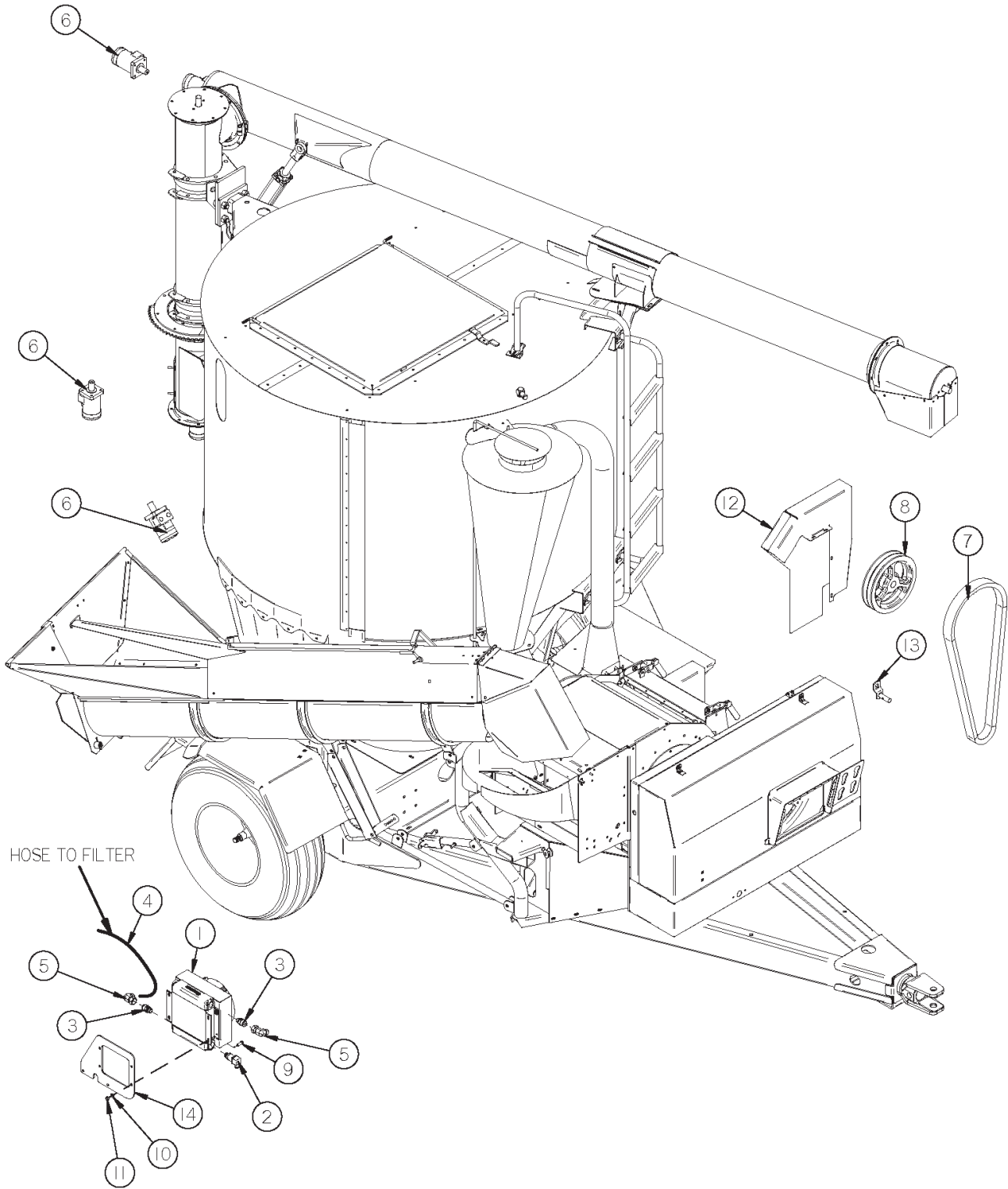


FIGURE 25

OPTIONAL HI MOISTURE KIT (540 RPM & 1000 RPM)

<u>ITEM</u>	<u>PART #</u>	<u>DESCRIPTION</u>
1	8763	COOLER
2	8764	THERMOSTATIC SWITCH
3	8765	1/2 BSP TO 12 JIC MALE-MALE ADAPTER
4	8766	HYD HOSE 3/4" X 36"
5	8767	3/4" 90 DEGREE ELBOW SWIVEL FITTING
6	8768	HYDRAULIC MOTOR
7	56306	V BELT (2/A68) (540 RPM)
*	8769	BELT 2/A56 POWER BAND (1000 RPM)
8	56635	PUMP DRIVE SHEAVE (540 RPM) 2AK154
*	8770	PUMP DRIVE SHEAVE (1000 RPM)
9	YBHH12010	BOLT, 3/8" X 1" GR. 5
10	YNHX12005	HEX NUT, 3/8"-16
11	YWLO12005	WASHER, LOCK, 3/8"
12	GM521	LARGE SHIELD HYD PUMP
13	GM522	IDLER SHORT PIVOT
14	GM520	COOLER BRACKET
*	56707	WIRE - 8 FEET

NOTE: * MEANS NOT SHOWN

H&S MFG. CO.

products approved

for the

FEMA

SEAL OF QUALITY

