



GM 170

# PARTS BOOK



Revision #07  
Starting Serial #410333

HSMFG1113

Part #59742

Manufactured By  
**H&S MANUFACTURING CO., INC.**

P.O. BOX 768 (715) 387-3414 FAX (715) 384-5463  
MARSHFIELD, WISCONSIN 54449

# CONTENTS

|   |       |
|---|-------|
| Instructions for Ordering Parts .....                       | 1     |
| Figure 1 - Frame .....                                      | 2-5   |
| Figure 2 - Tank .....                                       | 6-9   |
| Figure 3 - Concentrate Hopper & Collector .....             | 10-11 |
| Figure 4 - Drive Line .....                                 | 12-15 |
| Figure 5 - Mill .....                                       | 16-19 |
| Figure 6 - Mill Cylinder .....                              | 20-21 |
| Figure 7 - Conveyor Drive .....                             | 22-25 |
| Figure 8 - Unloading Auger .....                            | 26-27 |
| Figure 9 - 12' Unloading Auger .....                        | 28    |
| Figure 10 - Shields .....                                   | 29    |
| Figure 11 - Oiler .....                                     | 30-31 |
| Figure 12 - Auger Circuit .....                             | 32-33 |
| Figure 13 - Auger Swing Circuit .....                       | 34    |
| Figure 14 - Auger Lift Circuit .....                        | 35    |
| Figure 15 - Gearbox .....                                   | 36-37 |
| Figure 16 - Infeed Conveyor Pivot .....                     | 38-39 |
| Figure 17 - Infeed Conveyor .....                           | 40-43 |
| Figure 18 - Infeed Auger Circuit .....                      | 44    |
| Figure 19 - 3' & 6' Auger Extension .....                   | 45    |
| Figure 20 - Optional Lights .....                           | 46-47 |
| Figure 21 - Optional Scale .....                            | 48    |
| Figure 22 - Hydraulic Cylinder .....                        | 49    |
| Figure 23 - PTO .....                                       | 50    |
| Figure 24 - PTO European .....                              | 51    |
| Figure 25 - Optional Hi Moisture Kit (540 & 1000 RPM) ..... | 52-53 |
| Parts Notes .....   | 54    |

## **INSTRUCTIONS FOR ORDERING PARTS**

All service parts should be ordered through your authorized H & S dealer. They will be able to give you faster service if you will provide them with the following

1. Model & Serial number is located on the main frame.
2. All reference to left or right apply to the machine as viewed from the rear.
3. Parts should not be ordered from illustration only. Please order by complete part number.
4. If your dealer has to order parts - give shipping instructions:  
VIA truck - large pieces (please specify local truck lines)  
VIA United Parcel Service (include full address)

|                              |                      |
|------------------------------|----------------------|
| <b>H&amp;S MFG. CO. INC.</b> |                      |
| MARSHFIELD, WIS.             |                      |
| MOD. NO.                     | <input type="text"/> |
| SER. NO.                     | <input type="text"/> |
| DESCR.                       | <input type="text"/> |

PLEASE RECORD NUMBERS FOR YOUR UNIT FOR QUICK REFERENCE

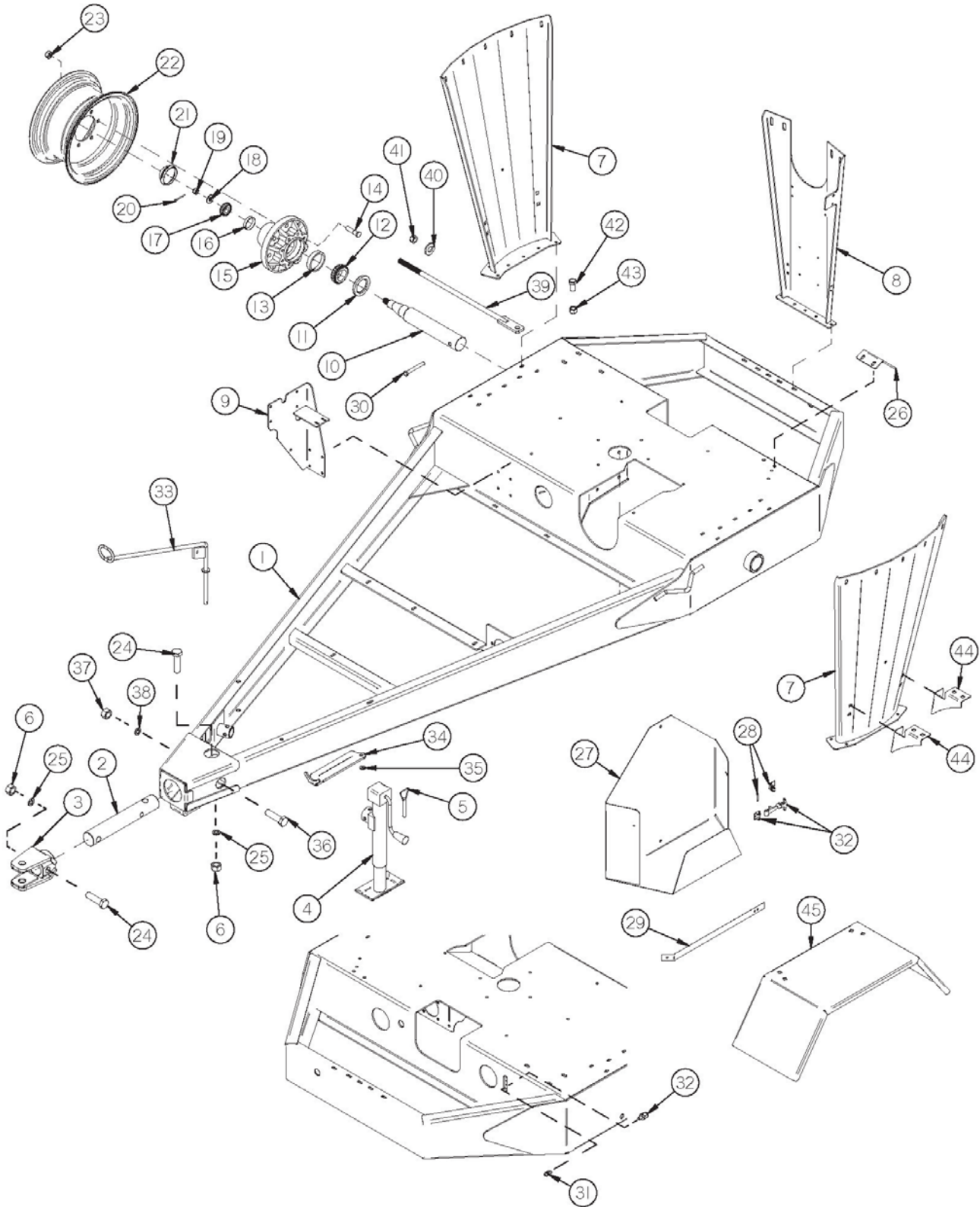
### **ABOUT IMPROVEMENTS**

H&S IS CONTINUALLY STRIVING TO IMPROVE IT'S PRODUCTS

We must therefore, reserve the right to make improvements or changes whenever it becomes practical to do so without incurring any obligation to make changes or additions to the equipment previously sold.

# FIGURE 1

## FRAME



# FIGURE 1

## FRAME

| <u>ITEM</u> | <u>PART #</u> | <u>DESCRIPTION</u>         |
|-------------|---------------|----------------------------|
| 1           | GM72          | FRAME                      |
| 2           | GM73          | HITCH SHAFT                |
| 3           | GM74          | HITCH                      |
| 4           | GM396         | JACK                       |
| 5           | 12N13         | JACK PIN & CHAIN           |
| 6           | YNHX32010     | HEX NUT, 1"-8 PLATED       |
| 7           | GM76          | TANK SIDE SUPPORT          |
| 8           | GM77          | TANK BACK SUPPORT          |
| *           | F97           | SMV BRACKET                |
| 9           | GM78          | OIL TANK BRACKET           |
| 10          | GM79          | SPINDLE                    |
| 11          | B90           | SEAL                       |
| 12          | B91           | INNER BEARING              |
| 13          | B91A          | INNER RACE                 |
| 14          | YBSD20010     | STUD 5/8"-18               |
| 15          | 26G4A         | HUB (821)                  |
| 16          | B94A          | OUTER RACE                 |
| 17          | B94           | OUTER BEARING              |
| 18          | YWFL28005     | WASHER, FLAT, 7/8" USS     |
| 19          | YNSL28005     | HEX NUT, SLOTTED, 7/8"-14  |
| 20          | YPCT05020     | COTTER PIN, 5/32" X 1-3/4" |
| 21          | B2            | HUB CAP                    |
| 22          | RG73          | WHEEL (W-51350)            |
| *           | GM394         | TIRE (12.5L x 15 20 PLY)   |
| 23          | YNWL20005     | LUG NUT 5/8"-18            |

**NOTE: \* MEANS NOT SHOWN**



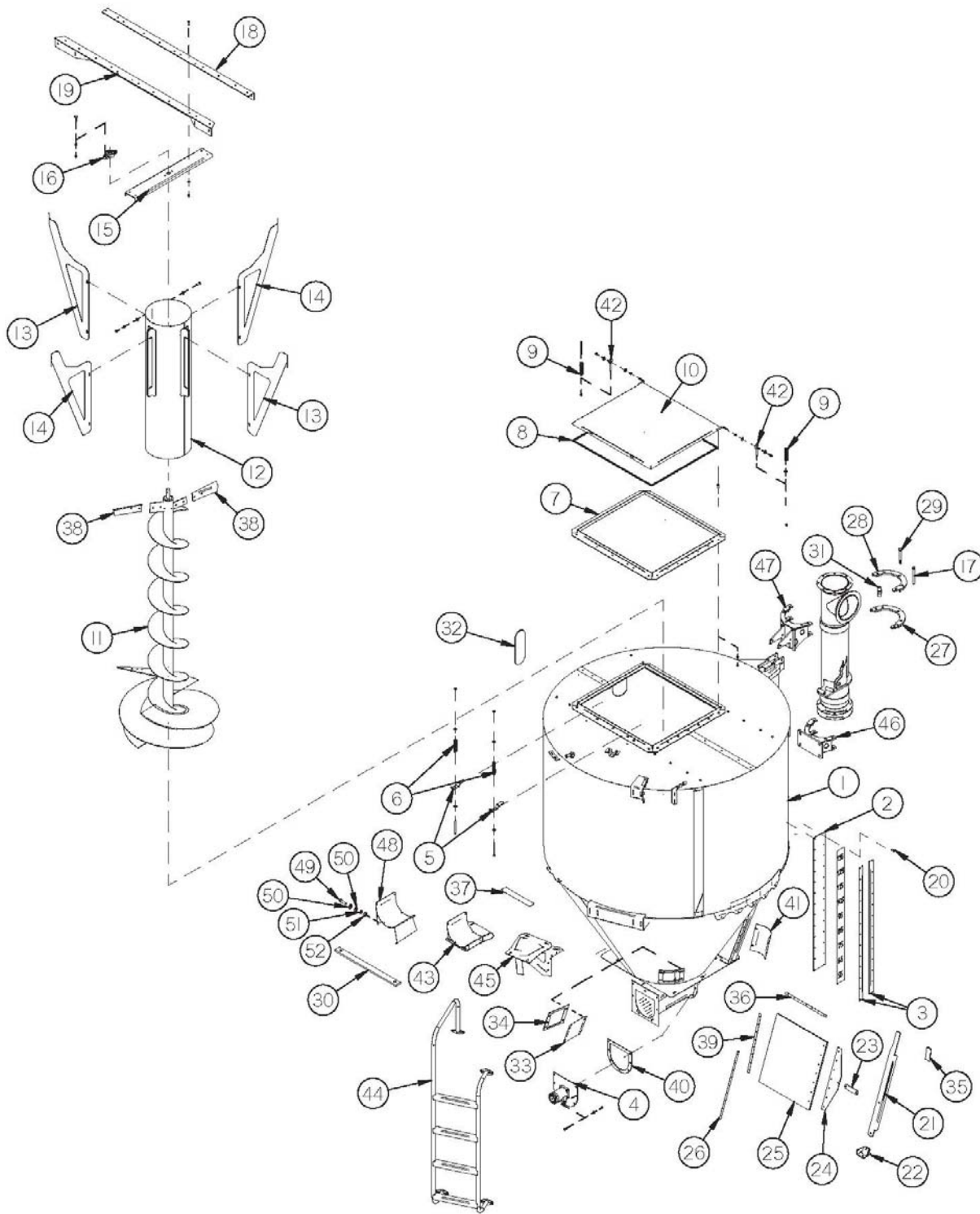
# FIGURE 1

## FRAME

| <u>ITEM</u> | <u>PART#</u> | <u>DESCRIPTION</u>                     |
|-------------|--------------|--|
| 24          | YBHH32020    | BOLT, 1"-8 X 5" GR. 5                  |
| 25          | YWLO32005    | WASHER, LOCK, 1"                       |
| 26          | GM397        | FLOW CONTROL BRACKET                   |
| 27          | GM398        | SCREEN HOLDER                          |
| 28          | X233         | COMPLETE LATCH                         |
| 29          | GM399        | SCREEN HOLDER STRAP                    |
| 30          | YBHH16130    | BOLT, 1/2" X 4" GR. 5                  |
| 31          | G89          | GREASE ZERK (#1641)                    |
| 32          | GM424        | 1/4"-28 GREASE LINE ADAPTER            |
| 33          | GM440        | GRINDER HOSE HOLDER                    |
| 34          | 42N2         | PTO HOLDER                             |
| 35          | 42N3         | SPRING (MB1000-035)                    |
| 36          | YBHH24075    | BOLT, 3/4" X 4-1/2" GR. 5              |
| 37          | YNHX24005    | HEX NUT, 3/4"-10 PLATED                |
| 38          | YWLO24005    | WASHER, LOCK, 3/4"                     |
| 39          | GM518        | ROD                                    |
| 40          | 33SV95       | WASHER                                 |
| 41          | YNNY24005    | HEX NUT, NYLON LOCKNUT, 3/4"           |
| 42          | YBHH24001    | 3/4"-10 x 1" GR. 5 BOLT                |
| 43          | YNRL24005    | HEX NUT, REVERSIBLE-SIDE LOCK, 3/4"-10 |
| 44          | GM332        | FENDER SUPPORT                         |
| 45          | GM333        | FENDER (FITS EITHER SIDE)              |

# FIGURE 2

## TANK





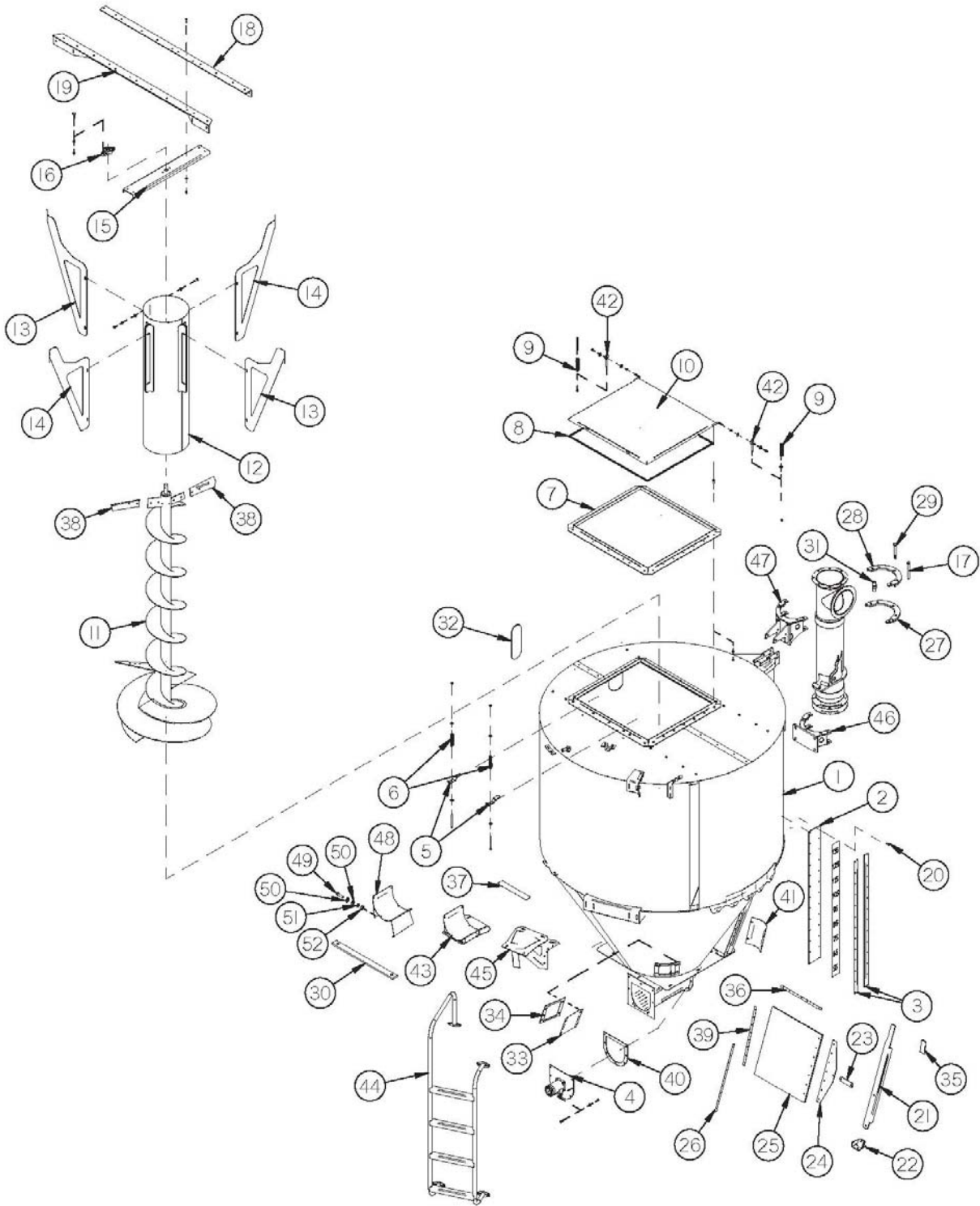
## FIGURE 2

### TANK

| <u>ITEM</u> | <u>PART #</u> | <u>DESCRIPTION</u>                      |
|-------------|---------------|---|
| 1           | GM301         | TANK                                    |
| 2           | 55911         | SIGHT WINDOW - SHORT                    |
| 3           | 55912         | SIGHT WINDOW SIDE - SHORT               |
| 4           | GM304         | MOTOR MOUNT                             |
| 5           | 56257         | LID LATCH                               |
| 6           | GM225         | LATCH SPRING (A262)                     |
| 7           | GM560         | LARGE LID FRAME                         |
| 8           | GM571         | LID GASKET LARGE                        |
| 9           | GM309         | SPRING (A162)                           |
| 10          | GM559         | LARGE TANK LID                          |
| 11          | GM311         | MIXING AUGER                            |
| 12          | GM312         | MIXING AUGER TUBE                       |
| 13          | GM565         | MIXING TUBE SUPPORT B (WIDE)            |
| 14          | GM564         | MIXING TUBE SUPPORT A (WIDE)            |
| 15          | GM563         | MIXING AUGER TOP SUPPORT (WIDE) BEARING |
| 16          | T40           | BEARING SALF 205 16 G H4 BEARING        |
| 17          | YBHH16156     | BOLT, 1/2" x 5" GR. 5 FULL THREAD       |
| 18          | GM562         | TANK TOP SUPPORT SHORT                  |
| 19          | GM561         | TANK TOP WELDED BRACE                   |
| 20          | GM234         | POP RIVET 3/16" X .700" (0155997)       |
| 21          | GM334         | DOOR HANDLE                             |
| 22          | GM335         | DOOR STOP                               |
| 23          | GM336         | DOOR LINKAGE                            |
| 24          | GM337         | DOOR EDGE                               |
| 25          | GM338         | DOOR                                    |
| 26          | GM339         | DOOR SEAL STRAP                         |
| *           | GM348         | RUBBER DOOR SEAL FRONT (LEFT)           |

# FIGURE 2

## TANK



## FIGURE 2

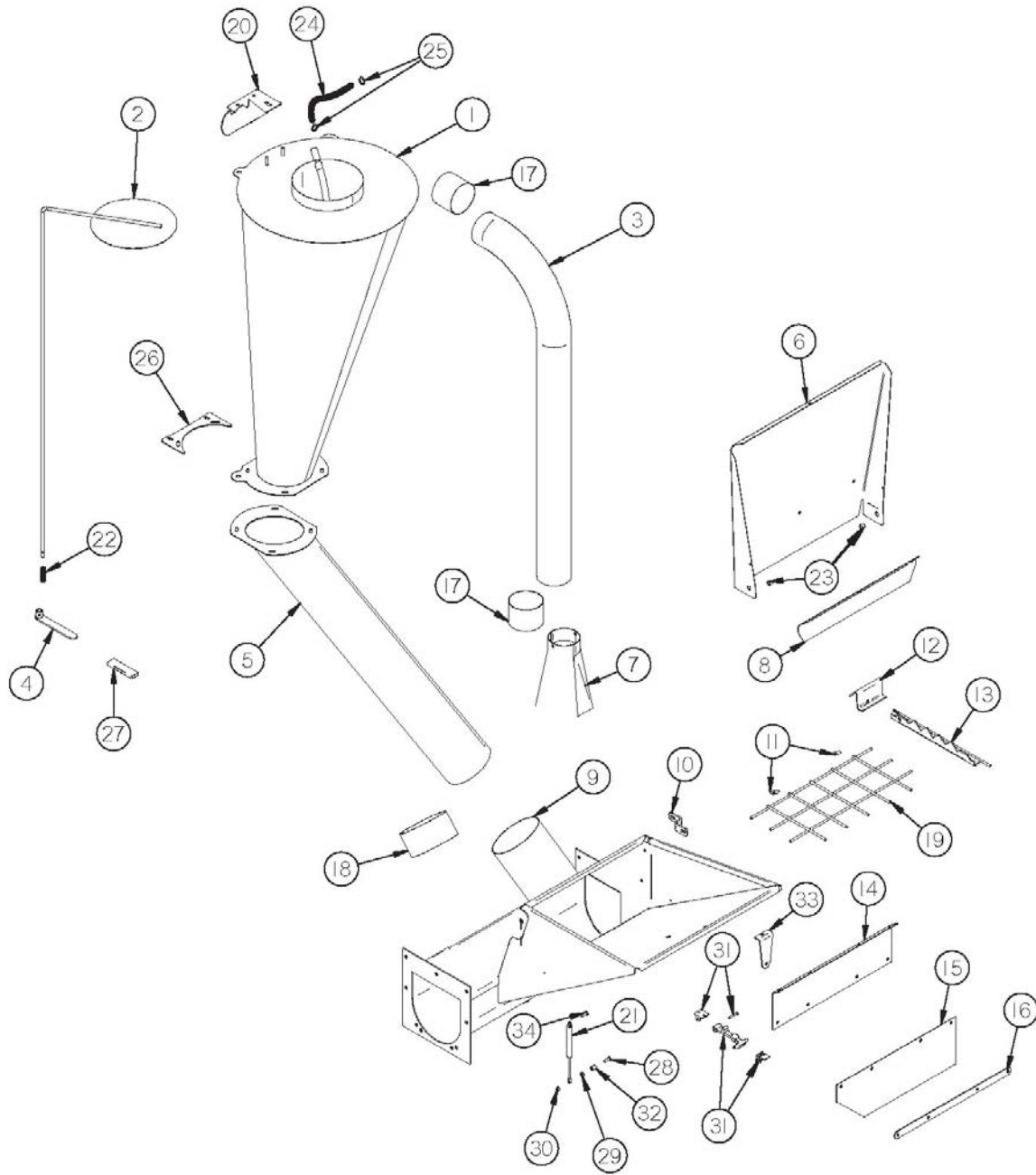
### TANK

| <u>ITEM</u> | <u>PART#</u> | <u>DESCRIPTION</u>               |
|-------------|--------------|----------------------------------|
| 27          | GM340        | SPLIT RING BOTTOM                |
| 28          | GM341        | SPLIT RING TOP                   |
| 29          | GM342        | STEP BOLT                        |
| 30          | GM442        | POLY STRIP                       |
| 31          | GM345        | ROLLER                           |
| 32          | GM346        | TOP SIGHT WINDOW                 |
| 33          | GM347        | WINDOW GASKET                    |
| *           | GM356        | CLEANOUT DOOR                    |
| 34          | GM357        | CLEANOUT GASKET                  |
| 35          | S403         | HANDLE GRIP                      |
| 36          | GM391        | INSIDE DOOR SEAL STRAP           |
| 37          | GM392        | INSIDE DOOR SEAL                 |
| *           | GM435        | SAFETY TREAD                     |
| 38          | GM437        | PADDLE MIXER                     |
| 39          | GM438        | DOOR SEAL STRAP                  |
| 40          | GM439        | RUBBER DOOR SEAL                 |
| *           | GM320        | AUGER BOTTOM CAP SPACER          |
| 41          | GM488**      | AUGER CLEANOUT COVER             |
| 42          | GM357**      | FELT GASKET                      |
| *           | YBTE10025    | TURNUED EYE BOLT, 5/16" X 2-3/4" |
| 43          | GM527        | AUGER ADJUSTABLE CRADLE          |
| 44          | 55922        | LADDER - BOLT ON                 |
| 45          | 55921        | AUGER CRADLE BASE WELDMENT       |
| 46          | 58335        | AUGER PIVOT TOP SHORT MOUNT      |
| 47          | 55925        | VERTICAL AUGER PIVOT TOP         |
| 48          | GM514        | CRADLE EXTENSION                 |
| 49          | YBHH10010    | BOLT, 5/16 X 1 GR5               |
| 50          | YWFL10005    | WASHER, FLAT, 5/16 USS           |
| 51          | YWLO10005    | WASHER, LOCK, 5/16               |
| 52          | YNHX10005    | HEX NUT, 5/16 GR 2               |

**NOTE: \* MEANS NOT SHOWN**

**\*\* MEANS USED ON SERIAL #800110 AND HIGHER**

**FIGURE 3**  
**CONCENTRATE HOPPER & COLLECTOR**



## FIGURE 3

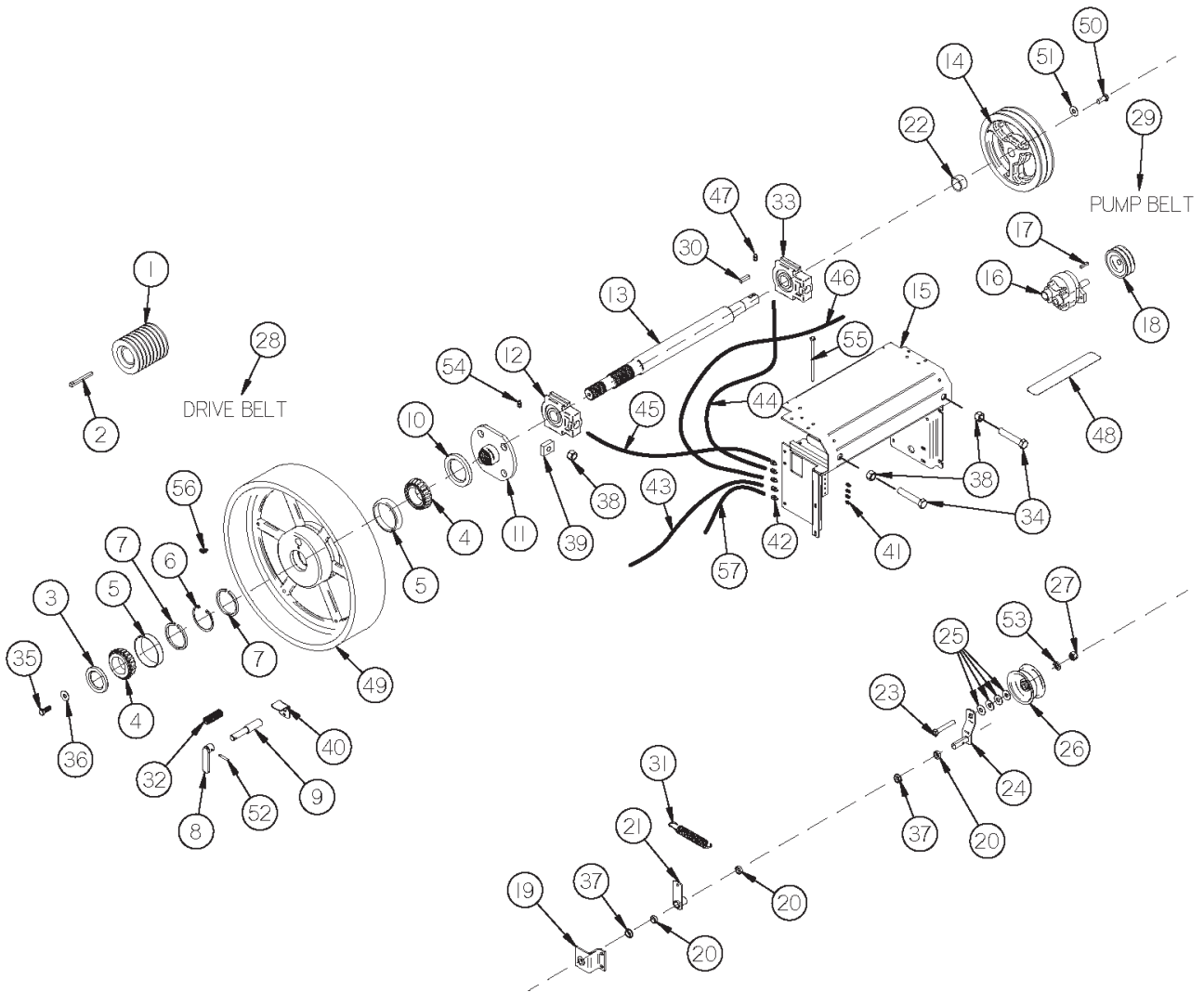
### CONCENTRATE HOPPER & COLLECTOR

| <u>ITEM</u> | <u>PART #</u> | <u>DESCRIPTION</u>              |
|-------------|---------------|---------------------------------|
| 1           | GM81          | DUST COLLECTOR                  |
| 2           | GM82          | DUST COLLECTOR TOP              |
| 3           | GM83          | BLOWER PIPE                     |
| 4           | GM84          | COVER HANDLE                    |
| 5           | GM85          | DUST COLLECTOR PIPE             |
| 6           | GM86          | COVER HOPPPER                   |
| *           | GM420         | COVER SEAL                      |
| 7           | GM87          | BLOWER TRANSITION CHUTE         |
| 8           | GM88          | STOP COVER                      |
| 9           | GM89          | SUPPLEMENT HOPPPER              |
| 10          | GM90          | RETAINER GUARD                  |
| 11          | GM91          | HOSE CLAMP                      |
| 12          | GM92          | SUPPORT BREAKER                 |
| 13          | GM93          | BREAKER BAR                     |
| 14          | GM94          | DUST SHIELD                     |
| 15          | GM95          | DUST FLAP                       |
| 16          | GM96          | DUST FLAP RETAINER              |
| 17          | GM100         | BLOWER PIPE SEAL                |
| 18          | GM101         | DUST COLLECTOR SEAL             |
| 19          | GM360         | HOPPER GRATE                    |
| 20          | GM368         | ADJUSTABLE MOUNT PLATE          |
| 21          | SD190         | GAS STRUT                       |
| 22          | 17G128        | SPRING                          |
| 23          | GM443         | SUPPLEMENT HOPPER DOOR PIVOT    |
| 24          | GM452         | 3/4" X 14" HOSE                 |
| 25          | GM453         | 1" HOSE CLAMP                   |
| 26          | GM460         | ADJUSTABLE SUPPORT BOTTOM       |
| 27          | GM370         | HANDLE GRIP                     |
| 28          | YBHH62010     | BOLT 8-32 X 1-1/4"              |
| 29          | YNHX62005     | NUT 8-32                        |
| 30          | YNNY62005     | NYLOCK NUT 8-32                 |
| 31          | X233          | X192, X193, X194, X195 079-0101 |
| 32          | GM525         | SPACER (RIGHT SIDE BOTTOM ONLY) |
| 33          | GM526         | LATCH BRACKET                   |
| 34          | YBHH62005     | BOLT 8-32 X 3/4"                |

**NOTE:\* MEANS NOT SHOWN**

# FIGURE 4

## DRIVE LINE



# FIGURE 4

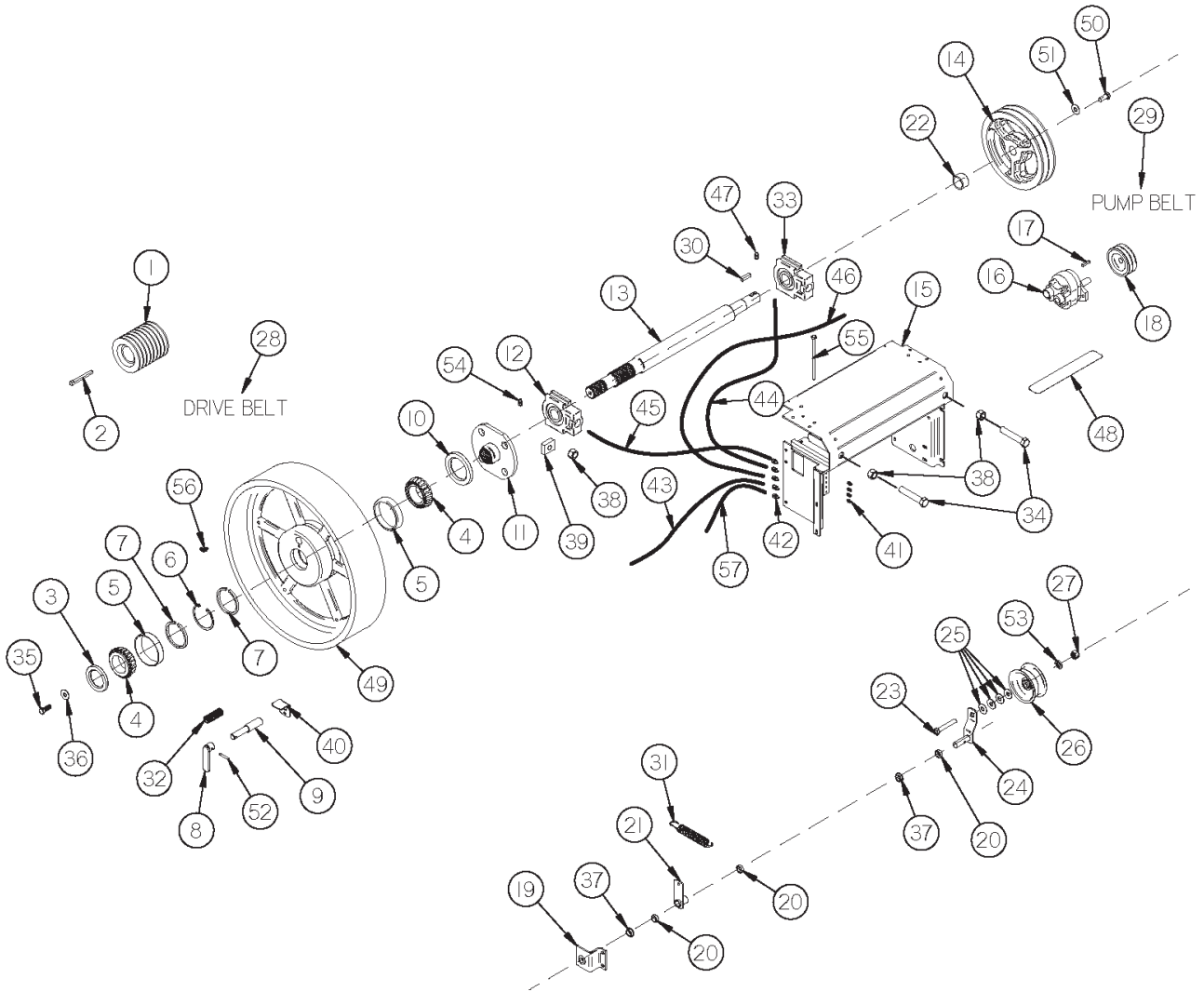
## DRIVE LINE

| <u>ITEM</u> | <u>PART #</u> | <u>DESCRIPTION</u>                     |
|-------------|---------------|--|
| 1           | GM102         | MILL SHEAVE 540 RPM                    |
| *           | GM103         | MILL SHEAVE 1000 RPM                   |
| 2           | GM104         | KEY 3/8" TAPER                         |
| 3           | GM105         | SEAL (22338)                           |
| 4           | GM106         | OUTER BEARING (LM501349)               |
| 5           | GM107         | RACE (LM501310)                        |
| 6           | GM108         | SNAP RING                              |
| 7           | GM109         | SPACER (2)                             |
| 8           | GM110         | CLUTCH HANDLE                          |
| 9           | GM111         | CLUTCH PIN                             |
| 10          | GM112         | SEAL (22430)                           |
| 11          | GM113         | FLYWHEEL CLUTCH                        |
| 12          | GM114         | BEARING (UCT- 210-31 11/16)            |
| 13          | GM115         | MAIN DRIVE SHAFT                       |
| 14          | GM508         | PUMP DRIVE SHEAVE (540 RPM) 2AK124     |
| *           | GM117         | PUMP DRIVE SHEAVE (1000 RPM) 2AK74     |
| 15          | GM532         | DRIVE SHAFT CARRIER                    |
| 16          | GM14          | PUMP                                   |
| 17          | GM275         | KEY 3/16" X 1" (SQUARE KEY ROUND ENDS) |
| 18          | GM120         | PUMP SHEAVE                            |
| 19          | GM121         | IDLER SHAFT SUPPORT                    |
| 20          | GM122         | SPACER                                 |
| 21          | GM123         | ARM                                    |
| 22          | GM444         | SHEAVE SPACER (540 & 1000 RPM)         |
| 23          | YBHH20035     | BOLT, 5/8" X 2-1/2" GR. 5              |
| 24          | GM125         | IDLER ARM                              |
| 25          | YWFL20005     | WASHER, FLAT, 5/8" USS                 |
| 26          | GM127         | IDLER PULLEY                           |
| 27          | YNHX20005     | HEX NUT, 5/8"-11 PLATED                |
| 28          | GM129         | V BELT (8/A91) (540 RPM) 93"           |
| *           | GM130         | V BELT (8/A96) (1000 RPM) 98"          |

**NOTE:\* MEANS NOT SHOWN**

# FIGURE 4

## DRIVE LINE





# FIGURE 4

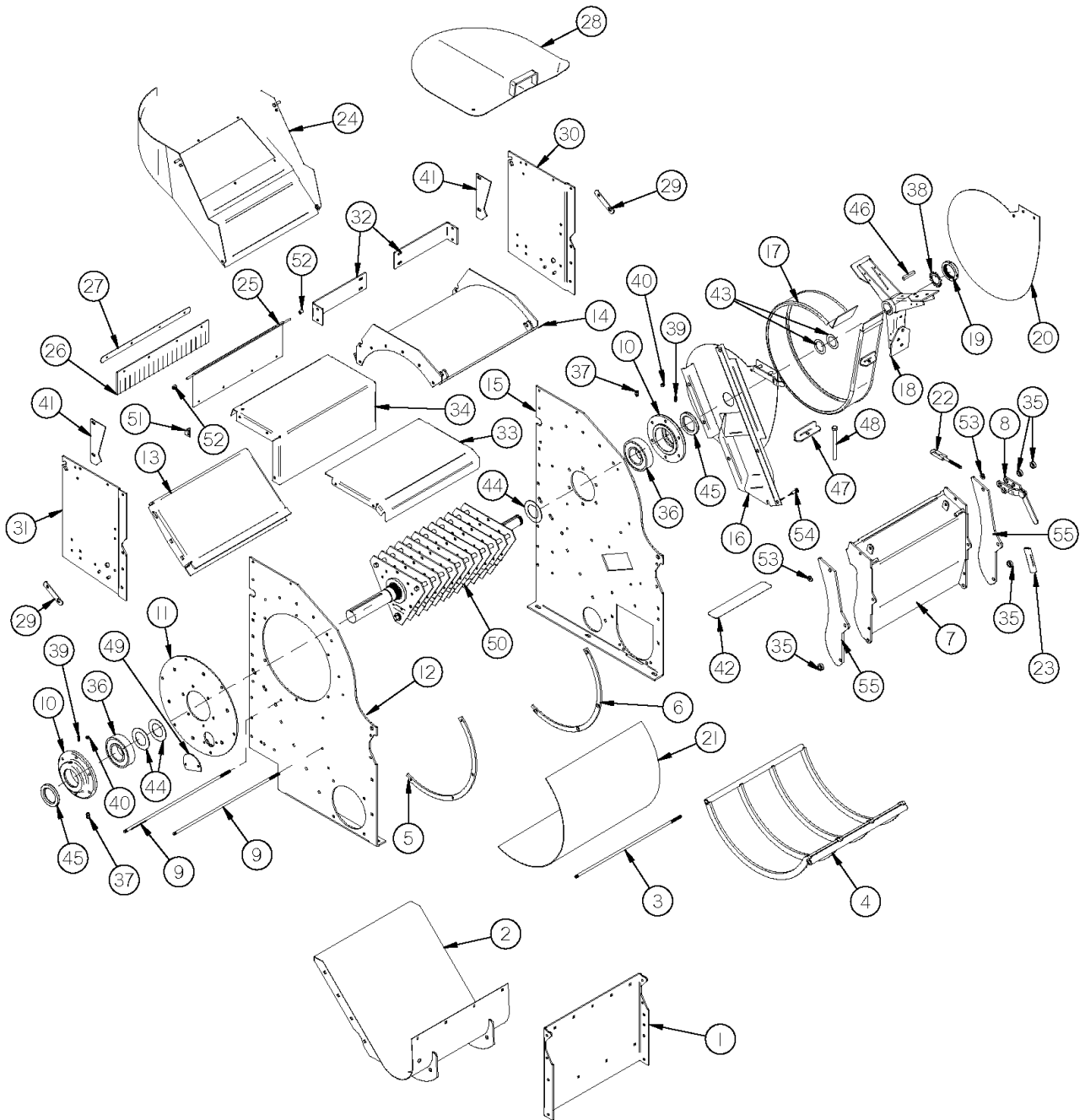
## DRIVE LINE

| <u>ITEM</u> | <u>PART #</u> | <u>DESCRIPTION</u>                 |
|-------------|---------------|------------------------------------|
| 29          | GM131         | V BELT (2/A62) (540 RPM) 64"       |
| *           | GM132         | V BELT (2/A52) (1000 RPM) 54"      |
| 30          | G12           | KEY 5/16" X 1" (540 & 1000 RPM)    |
| 31          | GM410         | SPRING (B11108) 540 RPM            |
| *           | GM454         | SPRING (U10063) 1000 RPM           |
| 32          | GM411         | SPRING (13E29)                     |
| 33          | GM413         | BEARING (UCT208-24-11/16)          |
| 34          | YBHH24091     | BOLT, 3/4" X 6" GR. 5 FULL THREAD  |
| 35          | GM414         | 1/2"-20 x 1-1/4" GR. 5 Bolt W/HOLE |
| 36          | GM415         | INPUT YOKE WASHER                  |
| 37          | GM416         | IDLER PIVOT BUSHING                |
| 38          | YNHX24005     | HEX NUT, 3/4"-10 PLATED            |
| 39          | GM445         | SLIDER BEARING NUT                 |
| 40          | GM423         | FLYWHEEL CLUTCH BRACKET            |
| 41          | G89           | GREASE ZERK (#1641)                |
| 42          | GM424         | 1/4"-28 GREASE LINE ADAPTER        |
| 43          | GM425         | GREASE LINE 70"                    |
| 44          | GM426         | GREASE LINE 25"                    |
| 45          | GM427         | GREASE LINE 20"                    |
| 46          | GM428         | GREASE LINE 85"                    |
| 47          | GM429         | 1/4"-28 90° ADAPTER                |
| 48          | GM435         | SAFETY TREAD                       |
| 49          | GM41          | FLYWHEEL                           |
| 50          | YBHH16045     | BOLT, 1/2" X 1-1/4" GR. 5          |
| 51          | GM124         | 540 SHEAVE WASHER                  |
| 52          | YPEX08010     | EXPANSION PIN, 1/4" X 1-1/4"       |
| 53          | YWLO20005     | WASHER, LOCK, 5/8"                 |
| 54          | GM419         | 1/8" GREASE LINE ADAPTER           |
| 55          | YBHH12240     | BOLT, 3/8" X 6-1/2" GR. 5          |
| 56          | DWM133        | 1/8" PIPE 45° ZERK                 |
| 57          | 54119         | GREASE LINE 10"                    |

**NOTE: \* MEANS NOT SHOWN**

# FIGURE 5

## MILL



# FIGURE 5

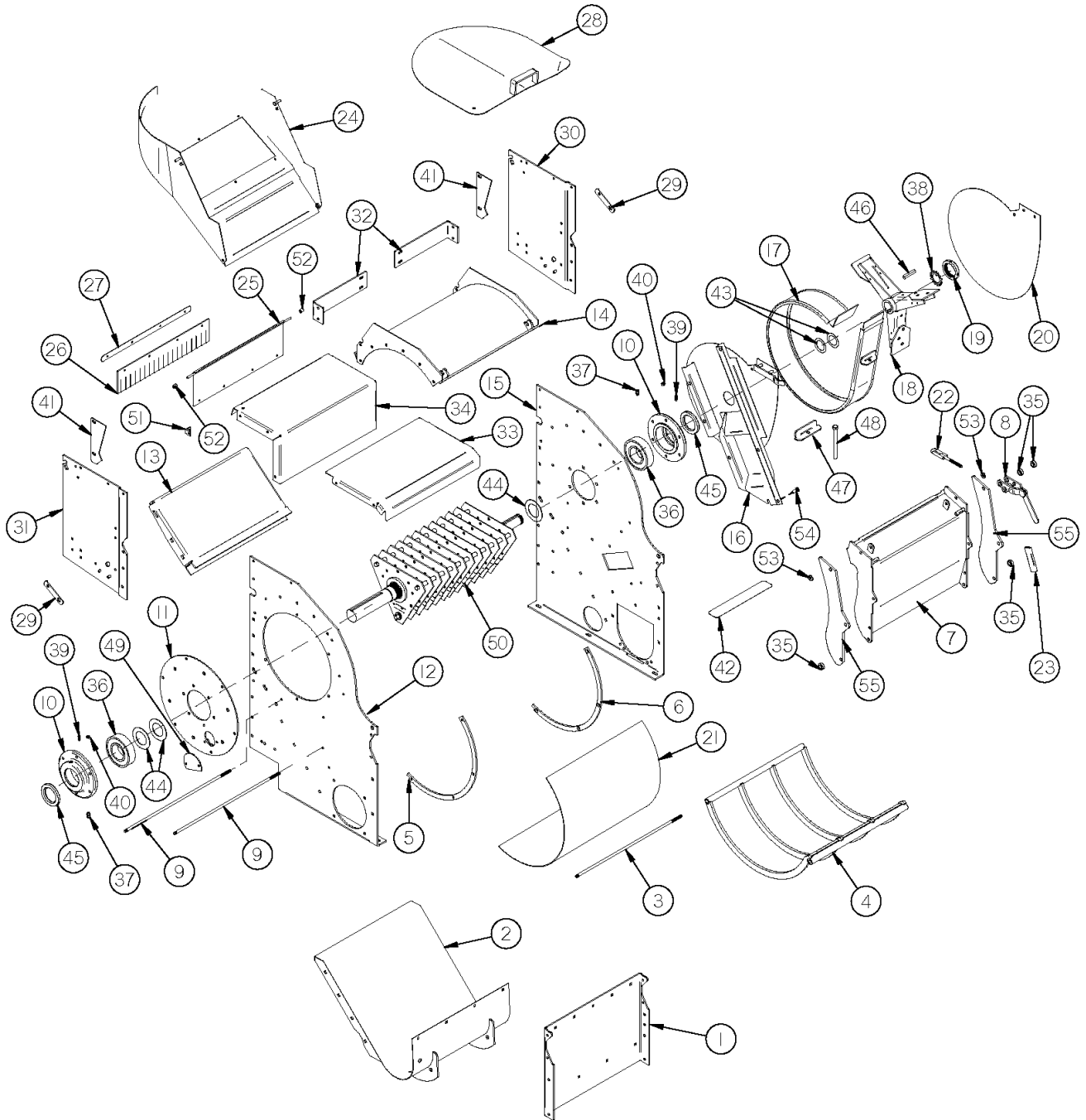
## MILL

| <u>ITEM</u> | <u>PART #</u> | <u>DESCRIPTION</u>  |
|-------------|---------------|---|
| 1           | GM133         | GRINDER SIDE PANEL  |
| 2           | GM533         | MILL BOTTOM PANEL   |
| 3           | GM135         | MILL LONG BOLT 1/2" X 22.500"                                 |
| 4           | GM136         | SCREEN SUPPORT  |
| 5           | GM137         | SCREEN GUIDE FRONT  |
| 6           | GM138         | SCREEN GUIDE BACK   |
| 7           | 59673         | GRINDER DOOR  |
| 8           | GM140         | DOOR LATCH  |
| 9           | GM141         | ROD 3/8" X 22.375"  |
| 10          | GM142         | BEARING HOUSING   |
| *           | 56109         | MILL SHAFT BEARING ASSEMBLY (INCLUDES ITEM'S #10,36,39,40,45) |
| 11          | GM143         | CYLINDER COVER  |
| 12          | GM534         | MILL FRONT PANEL  |
| 13          | GM145         | THROAT PLATE  |
| 14          | GM146         | GRINDER TOP   |
| 15          | GM535         | MILL BACK PANEL   |
| 16          | GM148         | FRONT BLOWER PANEL  |
| 17          | GM149         | BLOWER BAND   |
| 18          | GM150         | BLOWER FAN  |
| 19          | GM151         | NUT (N-08)  |
| 20          | GM152         | BLOWER BACK PANEL   |
| 21          | GMOSCRN18     | HAMMER MILL SCREEN 1/8"                                       |
| *           | GMOSCRN316    | HAMMER MILL SCREEN 3/16"                                      |
| *           | GMOSCRN14     | HAMMER MILL SCREEN 1/4"                                       |
| *           | GMOSCRN516    | HAMMER MILL SCREEN 5/16"                                      |
| *           | GMOSCRN38     | HAMMER MILL SCREEN 3/8"                                       |
| *           | GMOSCRN12     | HAMMER MILL SCREEN 1/2"                                       |
| *           | GMOSCRN58     | HAMMER MILL SCREEN 5/8"                                       |
| *           | GMOSCRN34     | HAMMER MILL SCREEN 3/4"                                       |
| *           | GMOSCRN1      | HAMMER MILL SCREEN 1"   |
| *           | GMOSCRN114    | HAMMER MILL SCREEN 1-1/4"                                     |
| *           | GMOSCRN112    | HAMMER MILL SCREEN 1-1/2"                                     |
| *           | GMOSCRN2      | HAMMER MILL SCREEN 2"   |
| 22          | GM166         | DOOR HOOK   |

**NOTE: \* MEANS NOT SHOWN**

# FIGURE 5

## MILL



# **FIGURE 5**

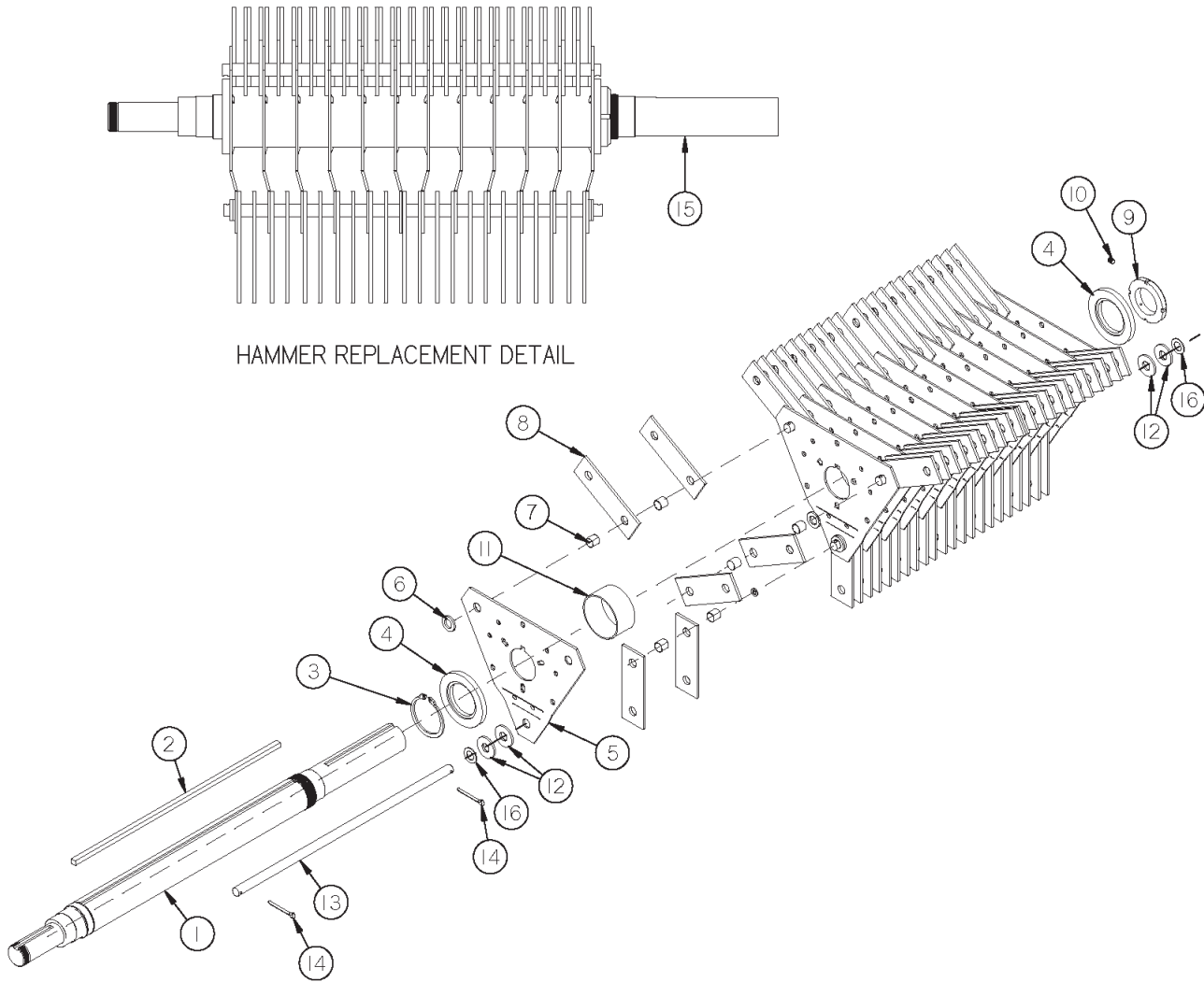
## **MILL**

| <b><u>ITEM</u></b> | <b><u>PART #</u></b> | <b><u>DESCRIPTION</u></b>               |
|--------------------|----------------------|---|
| 23                 | GM370                | HANDLE GRIP                             |
| 24                 | GM351                | INFEED CHUTE FOR INFEED CONVEYOR        |
| *                  | GM352                | CHUTE MAGNET                            |
| 25                 | GM353                | INFEED FLAP                             |
| 26                 | GM354                | INFEED FLAP RUBBER                      |
| 27                 | GM355                | INFEED FLAP RUBBER STRAP                |
| 28                 | GM358                | INFEED CHUTE COVER FOR ITEM # 25        |
| 29                 | GM362                | HOPPER ADJUSTMENT                       |
| 30                 | GM363                | GRINDER THROAT LEFT                     |
| 31                 | GM364                | GRINDER THROAT RIGHT                    |
| 32                 | GM365                | CHUTE BRACE                             |
| 33                 | GM366                | CHUTE MID SHIELD                        |
| 34                 | GM367                | CHUTE TOP SHIELD                        |
| 35                 | GM180                | PIVOT SPACER                            |
| 36                 | GM421                | BEARING (J211WDN)                       |
| 37                 | GM419                | 1/8" GREASE LINE ADAPTER                |
| 38                 | GM431                | LOCKING WASHER                          |
| 39                 | YSKP12005            | SET SCREW, 3/8"-16 X 1" W/KNURLED POINT |
| 40                 | YNJM12005            | HEX NUT, JAM, 3/8"-16                   |
| 41                 | GM433                | CHUTE STOP                              |
| 42                 | GM435                | SAFETY TREAD                            |
| 43                 | GM448                | FAN SPACER                              |
| 44                 | GM449                | BEARING SPACER                          |
| 45                 | GM450                | SEAL (2608)                             |
| 46                 | GM462                | 3/8" X 2-1/2" KEY                       |
| 47                 | GM316                | BLOWER BAND ANGLE                       |
| 48                 | GM323                | 3/8" X 8-1/2" GR 5 BOLT                 |
| 49                 | GM457                | SERVICE PORT COVER                      |
| 50                 | GM451                | COMPLETE MILL CYLINDER                  |
| 51                 | D58                  | ANGLE                                   |
| 52                 | GM525                | CHUTE FLAP SPACER                       |
| 53                 | GM575                | DOOR LATCH SPACER                       |
| 54                 | YBHH12010            | BOLT, 3/8" X 1" GR. 5                   |
| 55                 | 59590                | DOOR SIDE PANEL DUST STOP               |

**NOTE: \* MEANS NOT SHOWN**

# FIGURE 6

## MILL CYLINDER



**FIGURE 6**  
**MILL CYLINDER**

| <b><u>ITEM</u></b> | <b><u>PART #</u></b> | <b><u>DESCRIPTION</u></b>                         |
|--------------------|----------------------|---|
| 1                  | GM168                | MILL SHAFT  |
| 2                  | GM169                | CYLINDER KEY 3/8" X 19-3/8"                       |
| 3                  | GM465                | RETAINING RING (EN237)                            |
| 4                  | GM171                | RETAINER PLATE                                    |
| 5                  | GM172                | CYLINDER PLATE (12 PCS.)                          |
| 6                  | GM173                | SPACER  |
| 7                  | GM174                | HAMMER SPACER                                     |
| 8                  | GM175                | HAMMER (66 PIECES)                                |
| 9                  | GM176                | CYLINDER SHAFT NUT (N-12)                         |
| 10                 | YSKP08015            | SET SCREW, SOCKET, KNURLED CUP PT, 1/4"-20 X 3/8" |
| 11                 | GM177                | SPACET PLATE                                      |
| 12                 | GM430                | BALANCE WASHER (4 PCS.)                           |
| 13                 | GM44                 | HAMMER SHAFT                                      |
| 14                 | YPCT06010            | COTTER PIN, 3/16" X 1-1/4"                        |
| 15                 | GM451                | COMPLETE MILL CYLINDER                            |
| 16                 | GM576                | MILL ROD SHIM WASHER                              |

# FIGURE 7

## CONVEYOR DRIVE





# FIGURE 7

## CONVEYOR DRIVE

| <u>ITEM</u> | <u>PART #</u> | <u>DESCRIPTION</u>                                   |
|-------------|---------------|--|
| 1           | GM141         | ROD 3/8" X 22.375"                                   |
| 2           | GM536         | SPROCKET 30T (540 RPM)                               |
| *           | GM537         | SPROCKET 54T (1000 RPM)                              |
| 3           | GM538         | SHEAR FLANGE   |
| 4           | GM539         | BEARING BRACKET FOUR BOLT                            |
| 5           | GM566         | BEARING (BH85F6 X 1-3/4")                            |
| *           | 57423         | BEARING (FOR ITEM #5)                                |
| 6           | GM480         | GEARBOX SHAFT BRACE                                  |
| 7           | GM251         | IDLER SPROCKET (60A15)                               |
| *           | GM246         | BEARING (203 RR2 USA Fafnir)                         |
| 8           | GM252         | IDLER SPRING (077055)                                |
| 9           | GM253         | IDLER BRACKET  |
| 10          | GM540         | SOLID TRANSFER AUGER                                 |
| 11          | GM567         | 23T OVERRUNNING CLUTCH                               |
| 12          | GM292         | IDLER SPACER   |
| 13          | GM470         | SPROCKET 26T (DOUBLE)                                |
| 14          | GM471         | #50 DOUBLE CHAIN X 54 PITCH                          |
| 15          | D118          | #50 DOUBLE CONNECTOR LINK                            |
| 16          | GM473         | IDLER SPROCKET 8 TOOTH COMPLETE                      |
| 17          | GM492         | 5/16" X 1-1/4" SQUARE KEY W/ ROUND ENDS              |
| 18          | YSKP10010     | SET SCREW, SOCKET, KNURLED CUP PT, 5/16" - 18 X 3/8" |
| 19          | 56869         | CONNECTOR LINK #60                                   |
| 20          | GM296         | IDLER PIVOT BUSHING (3/4" OD X .635" ID X 3/4")      |
| 21          | 56751         | GEARBOX BEARING PLATE LARGE                          |
| 22          | 45N57         | 1/8" NPT X 2-5/8" GREASE ZERK (58754)                |
| 23          | GM542         | SHEAR BUSHING LARGE BORE                             |
| 24          | GM299         | TENSIONER PIVOT                                      |
| 25          | YBHH10010     | BOLT, 5/16" X 1" GR. 5                               |
| 26          | YBHH10070     | BOLT, 5/16" X 2" GR. 5                               |
| 27          | YBHH10105     | BOLT, 5/16" X 3/4" GR. 5                             |
| 28          | YNTL10005     | HEX NUT, TOP LOCK, 5/16"-18                          |
| 29          | YWFL10005     | WASHER, FLAT, 5/16" USS                              |
| 30          | YWLO10005     | WASHER, LOCK, 5/16"                                  |
| 31          | YNHX10005     | HEX NUT, 5/16"                                       |
| 32          | YBCR12010     | CARR. BOLT, 3/8" X 1" GR. 5                          |
| 33          | YWLO12005     | WASHER, LOCK, 3/8"                                   |
| 34          | YNHX12005     | HEX NUT, 3/8"-16                                     |

**NOTE: \* MEANS NOT SHOWN**

# FIGURE 7

## CONVEYOR DRIVE



# FIGURE 7

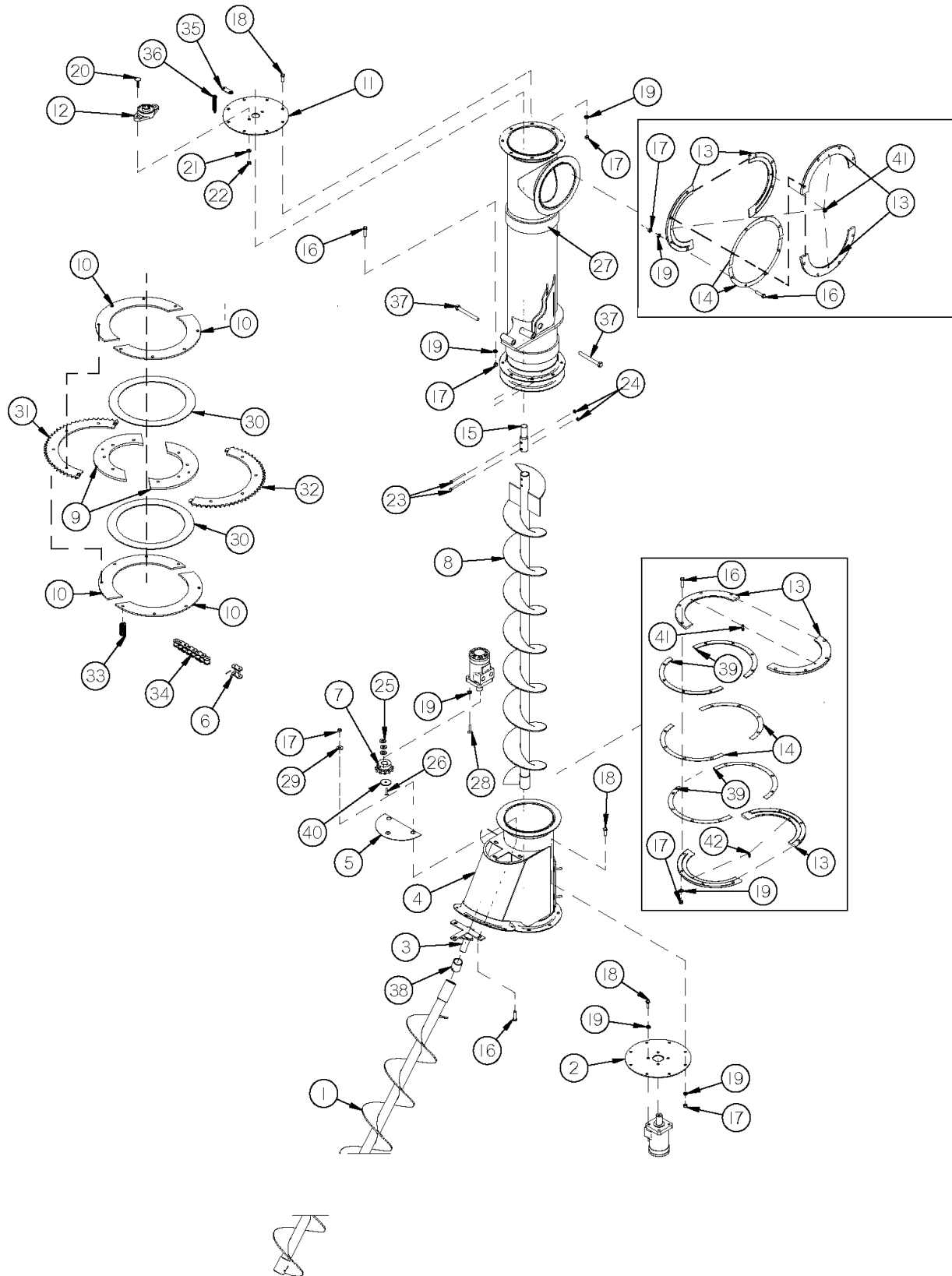
## CONVEYOR DRIVE

| <u>ITEM</u> | <u>PART #</u> | <u>DESCRIPTION</u>                 |
|-------------|---------------|------------------------------------|
| 35          | YBHH12145     | BOLT, 3/8" X 3-1/2" GR. 5          |
| 36          | YWFL12005     | WASHER, FLAT, 3/8" USS             |
| 37          | YBHH20015     | BOLT, 5/8" X 1-1/4" GR. 5          |
| 38          | GM489         | GEARBOX (A11)                      |
| 39          | 54208         | 1-3/4" LOCK COLLAR                 |
| 40          | G89           | GREASE ZERK                        |
| 41          | 56750         | BEARING, 1-3/4 SHAFT, FLANGE       |
| 42          | GM361         | #60 CHAIN X 66 PITCHES (540 RPM)   |
| *           | GM343         | #60 CHAIN X 80 PITCHES (1000 RPM)  |
| 43          | GM393         | AUGER SEAL W/ BUSHING              |
| 44          | S50           | BUSHING (A-2001 x 1-1/8")          |
| 45          | GM494         | RELUBE BEARING FLANGE              |
| 46          | GM441         | AUGER TRANSITION CAP               |
| 47          | GM202         | 1/2" PLUG (5406-8P)                |
| 48          | S38           | 3/8" X 2-3/8" SQ. KEY              |
| 49          | GM36          | GREASE LINE 30"                    |
| 50          | GM472         | RETAINING RING (N5000-102)         |
| 51          | GM474         | TIGHTENER SUPPORT                  |
| 52          | GM475         | TIGHTENER SUPPORT SPACER           |
| 53          | GM507         | GREASE LINE 60"                    |
| 54          | GM506         | GREASE LINE 51"                    |
| 55          | F144          | BEARING (FH207-22)                 |
| 56          | F146          | LOCK COLLAR                        |
| 57          | GM510         | MOUNT PLATE                        |
| 58          | WM125         | BEARING SPROCKET (SKF 6000-2RSJEM) |
| 59          | GM543         | SPLINED WASHER COMPLETE            |
| 60          | YBHH16030     | BOLT, 1/2" X 1-1/2" GR. 5          |
| 61          | YWFL16005     | WASHER, FLAT, 1/2" USS             |
| 62          | YWLO16005     | WASHER, LOCK, 1/2"                 |
| 63          | F143          | FLANGE (GREASABLE)                 |
| *           | GM544         | MOUNT PLATE ADAPTER                |
| 64          | 8600          | FLANGE (GREASABLE)                 |
| 65          | 8601          | BEARING (FH208-24G)                |
| 66          | 8602          | FLANGE                             |
| 67          | 54207         | 1-1/2" LOCK COLLAR                 |
| 68          | GM424         | 1/4"-28 GREASE LINE ADAPTER        |
| 69          | GM419         | 1/8" GREASE LINE ADAPTER           |

**NOTE: \* MEANS NOT SHOWN**

# FIGURE 8

## UNLOADING AUGER



## FIGURE 8

### UNLOADING AUGER

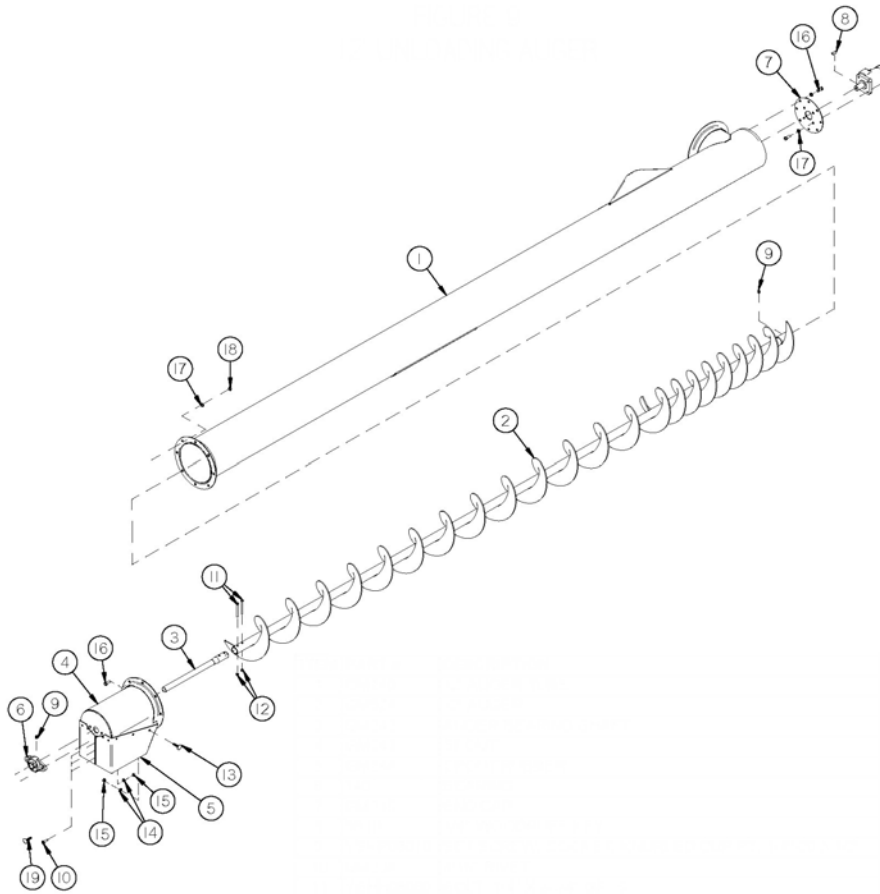
| <u>ITEM</u> | <u>PART #</u> | <u>DESCRIPTION</u>                    |
|-------------|---------------|---------------------------------------|
| 1           | GM220         | TANK UNLOADING AUGER                  |
| 2           | GM221         | AUGER DRIVE CAP                       |
| 3           | GM222         | AUGER SHAFT                           |
| 4           | GM223         | AUGER TUBE                            |
| *           | GM488**       | AUGER CLEANOUT COVER                  |
| *           | GM357**       | FELT GASKET                           |
| 5           | GM224         | OVERFLOW COVER                        |
| 6           | 56869         | #60 CONNECTOR LINK (DRIVES)           |
| 7           | GM226         | SPROCKET 60-B11                       |
| 8           | GM523         | VERTICAL AUGER                        |
| 9           | GM228         | CLUTCH PLATE                          |
| 10          | GM229         | CLUTCH FACE                           |
| 11          | GM230         | END CAP                               |
| 12          | T40           | BEARING                               |
| 13          | GM231         | COLLAR                                |
| 14          | GM232         | COLLAR SHIM                           |
| 15          | GM233         | VERTICAL AUGER SHAFT                  |
| 16          | YBHH12025     | BOLT, 3/8" X 1-1/2" GR. 5             |
| 17          | YNHX12005     | HEX NUT, 3/8"-16                      |
| 18          | YBHH12135     | BOLT, 3/8" X 3/4" GR. 5               |
| 19          | YWLO12005     | WASHER, LOCK, 3/8"                    |
| 20          | YBCR10010     | CARR. BOLT, 5/16" X 1" GR. 5          |
| 21          | YWLO10005     | WASHER, LOCK, 5/16"                   |
| 22          | YNHX10005     | HEX NUT, 5/16"                        |
| 23          | YBHH08060     | BOLT, 1/4" X 2-1/4" GR. 5             |
| 24          | YNTL08005     | HEX NUT, TOP LOCK, 1/4"-20            |
| 25          | YWFL08005     | WASHER, FLAT, 1/4" USS                |
| 26          | YBHH08035     | BOLT, 1/4" X 1-1/4" GR. 5             |
| 27          | GM236         | PIVOT TUBE                            |
| 28          | YBHH12010     | BOLT, 3/8" X 1" GR. 5                 |
| 29          | YWFL12005     | WASHER, FLAT, 3/8" USS                |
| 30          | GM237         | CLUTCH                                |
| 31          | GM238         | TURN SPROCKET B                       |
| 32          | GM239         | TURN SPROCKET A                       |
| 33          | WM210         | CLUTCH SPRING (RED)                   |
| 34          | GM409         | #60 CHAIN x 81 PITCHES                |
| 35          | GM436         | HOSE HOLDER                           |
| 36          | 23N187        | SPRING                                |
| 37          | YBHH16135     | BOLT, 1/2" X 4-1/2" GR. 2 FULL THREAD |
| 38          | RG11          | BUSHING (1.010" ID x 1-1/4" x 2")     |
| 39          | GM459         | COLLAR SHIM                           |
| 40          | GM461         | PINION STOP                           |
| 41          | RG51          | 1/4"-28 90° GREASE ZERK (1911)        |
| 42          | G89           | 1/4"-28 GREASE ZERK (1641)            |

**NOTE: \* MEANS NOT SHOWN**

**\*\* MEANS USED ON SERIAL #800110 AND HIGHER**

# FIGURE 9

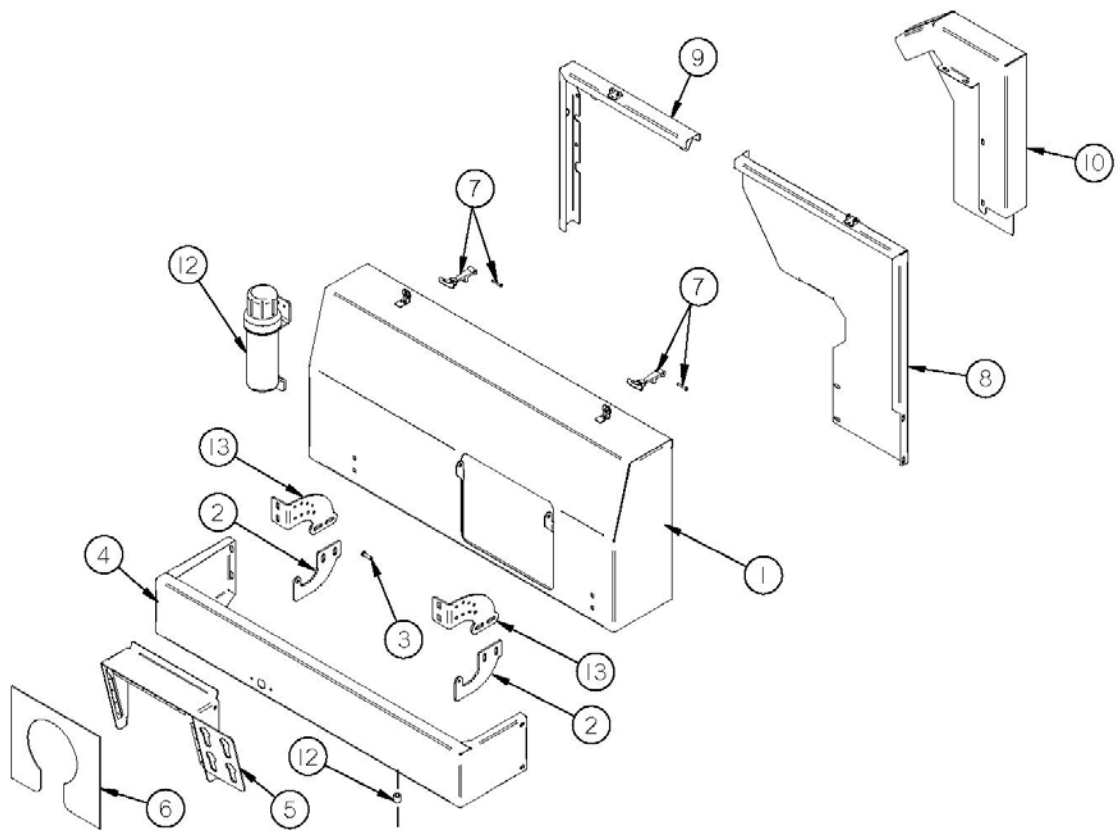
## 12' UNLOADING AUGER



| <u>ITEM</u> | <u>PART #</u> | <u>DESCRIPTION</u>                                |
|-------------|---------------|---|
| 1           | GM240         | 12' AUGER TUBE                                    |
| 2           | GM524         | 12' AUGER   |
| 3           | GM242         | AUGER BEARING SHAFT                               |
| 4           | GM243         | SPOUT   |
| 5           | GM244         | SPOUT RUBBER                                      |
| 6           | T40           | BEARING   |
| 7           | GM245         | END CAP   |
| 8           | 5B10          | 1/4" WOODRUFF KEY                                 |
| 9           | YSKP08010     | SET SCREW, SOCKET, KNURLED CUP PT, 1/4"-20 X 1/2" |
| 10          | GM234         | 3/16" RIVET                                       |
| 11          | YBHH08060     | BOLT, 1/4" X 2-1/4" GR. 5                         |
| 12          | YNTL08005     | HEX NUT, TOP LOCK, 1/4"-20                        |
| 13          | YBCR10030     | CARR. BOLT, 5/16" X 3/4" GR. 5                    |
| 14          | YWLO10005     | WASHER, LOCK, 5/16"                               |
| 15          | YNHX10005     | HEX NUT, 5/16"                                    |
| 16          | YBHH12010     | BOLT, 3/8" X 1" GR. 5                             |
| 17          | YWLO12005     | WASHER, LOCK, 3/8"                                |
| 18          | YNHX12005     | HEX NUT, 3/8"-16                                  |
| 19          | YBCR10010     | CARR. BOLT, 5/16" X 1" GR. 5                      |

# FIGURE 10

## SHIELDS

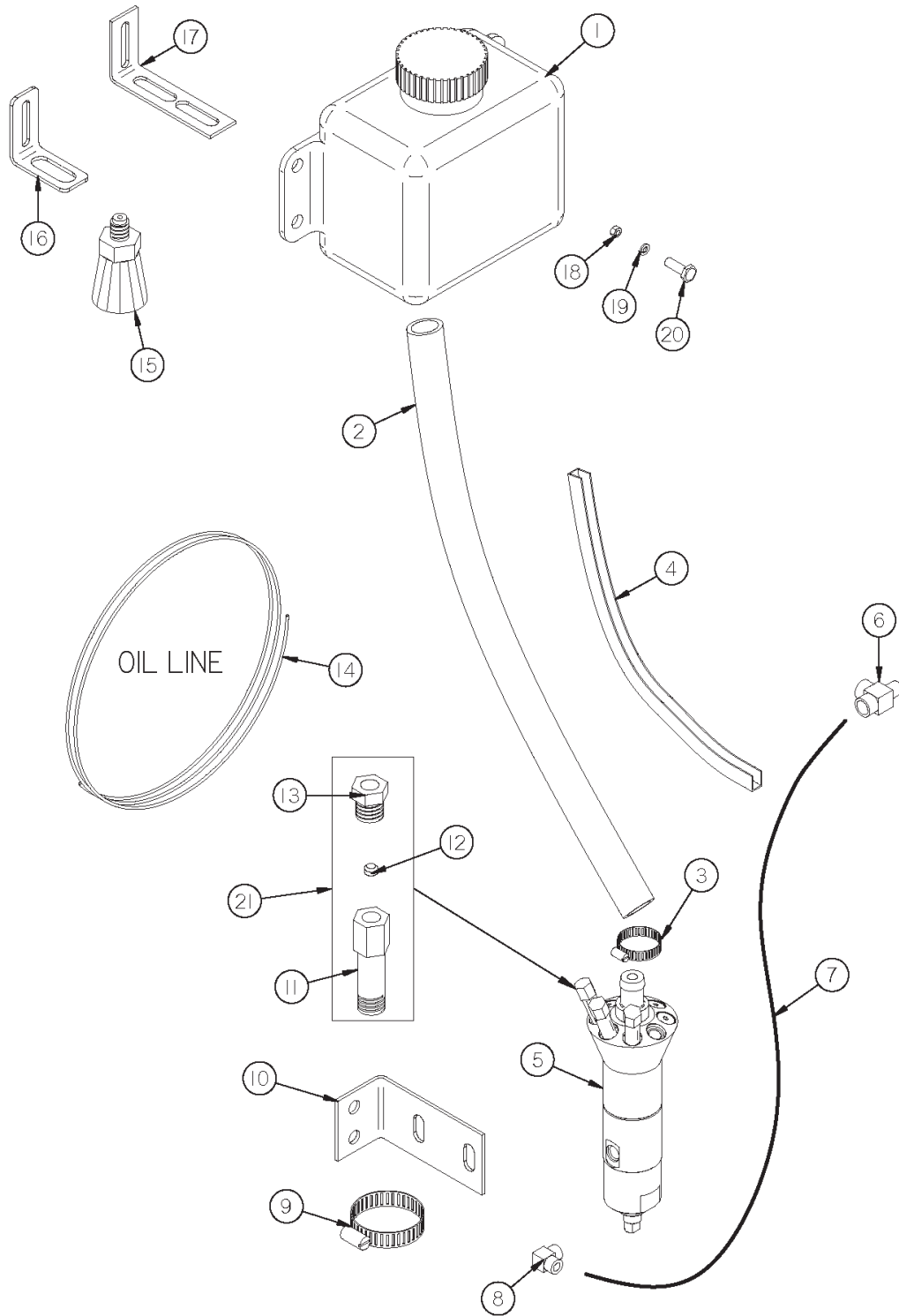


| <u>ITEM</u> | <u>PART #</u> | <u>DESCRIPTION</u>              |
|-------------|---------------|---------------------------------|
| 1           | GM545         | FRONT SHIELD                    |
| 2           | GM529         | SHIELD FRONT HINGE BOTTOM       |
| 3           | YBHH10010     | BOLT, 5/16" X 1" GR. 5          |
| *           | YBHH08010     | BOLT, 1/4" X 1" GR. 5           |
| 4           | 58633         | FLYWHEEL SHIELD LOWER - NO PLUG |
| 5           | GM325         | PTO GUARD                       |
| 6           | GM326         | POLY PTO GUARD                  |
| 7           | X233          | LATCH COMPLETE                  |
| 8           | GM547         | FLYWHEEL SHIELD BACK LEFT       |
| 9           | GM328         | TOP SEAL                        |
| 10          | GM548         | HYDRAULIC PUMP SHIELD           |
| 11          | GM519         | SHIELD SPACER                   |
| 12          | S522          | MANUAL HOLDER                   |
| 13          | GM528         | SHIELD FRONT HINGE TOP          |

**NOTE: \* MEANS NOT SHOWN**

# FIGURE 11

## OILER





# **FIGURE 11**

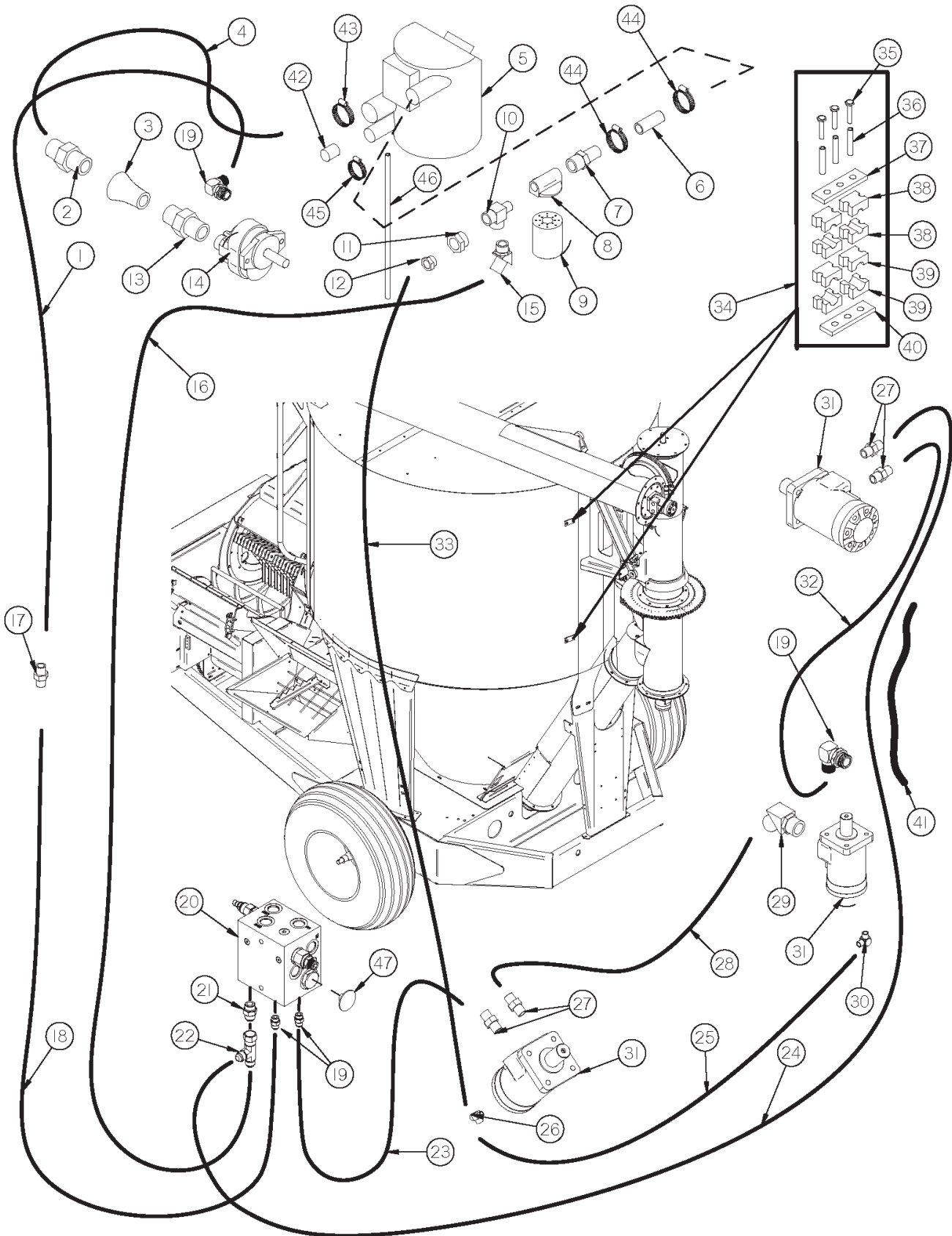
## **OILER**

| <b><u>ITEM</u></b> | <b><u>PART #</u></b> | <b><u>DESCRIPTION</u></b>                 |
|--------------------|----------------------|---|
| 1                  | HGV63                | RESERVOIR                                 |
| 2                  | HGV66                | FILLER HOSE                               |
| 3                  | HGV75                | 1" HOSE CLAMP                             |
| 4                  | HGV77                | EDGING 12"                                |
| 5                  | HGV82                | PUMP (COMPLETE)                           |
| 6                  | 23N116               | 3/8" STREET TEE (CHAMFER ON MALE END)     |
| 7                  | GM501                | HYDRAULIC HOSE (1/4" x 29-3/4")           |
| 8                  | HGV65                | O-RING/JIC ELBOW                          |
| 9                  | HGV74                | 2" HOSE CLAMP                             |
| 10                 | HGV68                | PUMP MOUNT BRACKET                        |
| 11                 | HGV86                | STANDOFF                                  |
| 12                 | HGV87                | FERRULE                                   |
| 13                 | HGV85                | SLEEVE NUT                                |
| 14                 | GM504                | OILER TUBE (2 PCS. 5/16" OD X 48") BACK   |
| *                  | GM505                | OILER TUBE (1 PCS. 5/16" OD X 156") FRONT |
| 15                 | HGV67                | BRUSH                                     |
| 16                 | GM490                | BRUSH BRACKET SHORT (FRONT)               |
| 17                 | HGV69                | BRUSH BRACKET LONG (BACK)                 |
| 18                 | YNHX08005            | HEX NUT, 1/4"-20                          |
| 19                 | YWLO08005            | WASHER, LOCK, 1/4"                        |
| 20                 | YBHH08010            | BOLT, 1/4" X 1" GR. 5                     |
| 21                 | HGV84                | MANIFOLD ASSEMBLY (COMPLETE)              |
| *                  | GM512                | OILER KIT (COMPLETE)                      |

**NOTE: \* MEANS NOT SHOWN**

# FIGURE 12

## AUGER CIRCUIT



# FIGURE 12

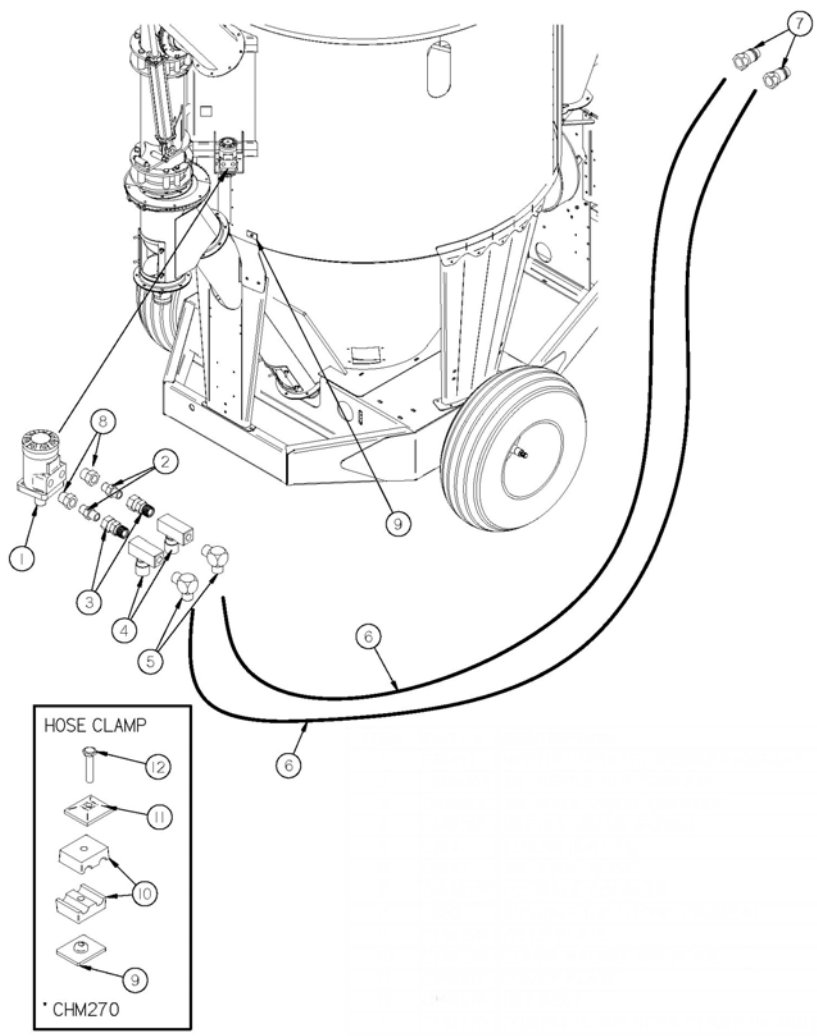
## AUGER CIRCUIT

| <u>ITEM</u> | <u>PART #</u> | <u>DESCRIPTION</u>  |
|-------------|---------------|---|
| 1           | GM1           | 1/2" X 32" HOSE   |
| 2           | GM2           | ADAPTER (24FTX-S)   |
| 3           | GM3           | PIPE REDUCER (1-1/2" NPT TO 3/4")                             |
| 4           | GM4           | 1-1/2" X 64" SUCTION HOSE                                     |
| 5           | GM5           | RESERVOIR   |
| 6           | GM6           | 1" X 3" HOSE  |
| 7           | GM7           | 3/4" TO 1" HOSE BARB  |
| 8           | LW288         | FILTER HEAD   |
| 9           | LW289         | FILTER ELEMENT  |
| 10          | GM10          | 3/4" STREET TEE (3/4 MRO)                                     |
| 11          | GM11          | REDUCER (3/4 X 1/4 PTR)                                       |
| 12          | GM12          | ADAPTER (4-4 FTX)   |
| 13          | GM13          | ADAPTER (12-3/4 F50F-S)                                       |
| 14          | GM14          | PUMP  |
| 15          | GM15          | 45° ELBOW (12VTX)   |
| 16          | GM549         | HYDRAULIC HOSE 3/4" X 102" 106HY-12-12 X 106HY-12-12          |
| 17          | GM17          | UNION (8 HTX)   |
| 18          | GM550         | HYDRAULIC HOSE 1/2" X 111" 106HY-8-8 X 103HY-8-8              |
| 19          | GM551         | STRAIGHT THREAD CONNECTOR (8 F50X-S)                          |
| 20          | GM552         | ON/OFF VALVE COMPLETE (FROM PRICE: PN# PEAA6182-01)           |
| *           | GM553         | ON/OFF VALVE BODY (PEC PN# PEAA6181-01)                       |
| *           | GM48          | RELIEF CARTRIDGE - AUGER LIFT (SUN PN# RPEC-LAN)              |
| *           | GM554         | RELIEF CARTRIDGE - MOTOR CIRCUIT (SUN PN# RPEC-LWN @3200 PSI) |
| *           | GM555         | ON/OFF CARTRIDGE (VICKERS PN# MPV1-10)                        |
| 21          | GM556         | STRAIGHT THREAD CONNECTOR (12-8 F50X-S)                       |
| 22          | GM22          | TEE (12R6X)   |
| 23          | GM557         | HYDRAULIC HOSE 1/2" X 52" 106HY-8-8 X 139HY-8-8               |
| 24          | 56767         | 1/2" X 120" HOSE  |
| 25          | GM25          | 1/4" X 80" HOSE   |
| 26          | GM26          | TEE (4R50X-S)   |
| 27          | GM27          | ADAPTER (8-10 F50X)   |
| 28          | GM28          | 1/2" X 79" HOSE   |
| 29          | GM29          | 45° ELBOW (8-10 V50X)   |
| 30          | GM30          | ELBOW (4C50X-S)   |
| 31          | GM464         | MOTOR (101-2180-009)  |
| 32          | GM34          | 1/2" X 116" HOSE  |
| 33          | GM35          | 1/4" X 51" HOSE   |
| 34          | GM8           | HOSE CLAMP 3/8" X 1/2" (COMPLETE)                             |
| 35          | GM62          | BOLT  |
| 36          | GM63          | TUBE  |
| 37          | GM64          | TOP PLATE   |
| 38          | GM65          | 3/8" INSERT   |
| 39          | GM66          | 1/2" INSERT   |
| 40          | GM67          | WELD PLATE  |
| 41          | GM32          | SPIRAL WRAP (HG125) 1-1/4" x 2'                               |
| 42          | GM37          | PORT CAP (NEW STYLE FROM VALUE ADDED)                         |
| 43          | GM38          | 1-1/2" HOSE CLAMP   |
| 44          | DWM123        | 1" HOSE CLAMP   |
| 45          | 56642         | #10 1/2" TO 1-1/16" BAND HOSE CLAMP                           |
| 46          | GM509         | BREATHER TUBE   |
| 47          | 57370         | CARTRIDGE - DIRECTIONAL, 2P/2W, N.C., POPPET                  |

**NOTE: \* MEANS NOT SHOWN**

# FIGURE 13

## AUGER SWING CIRCUIT

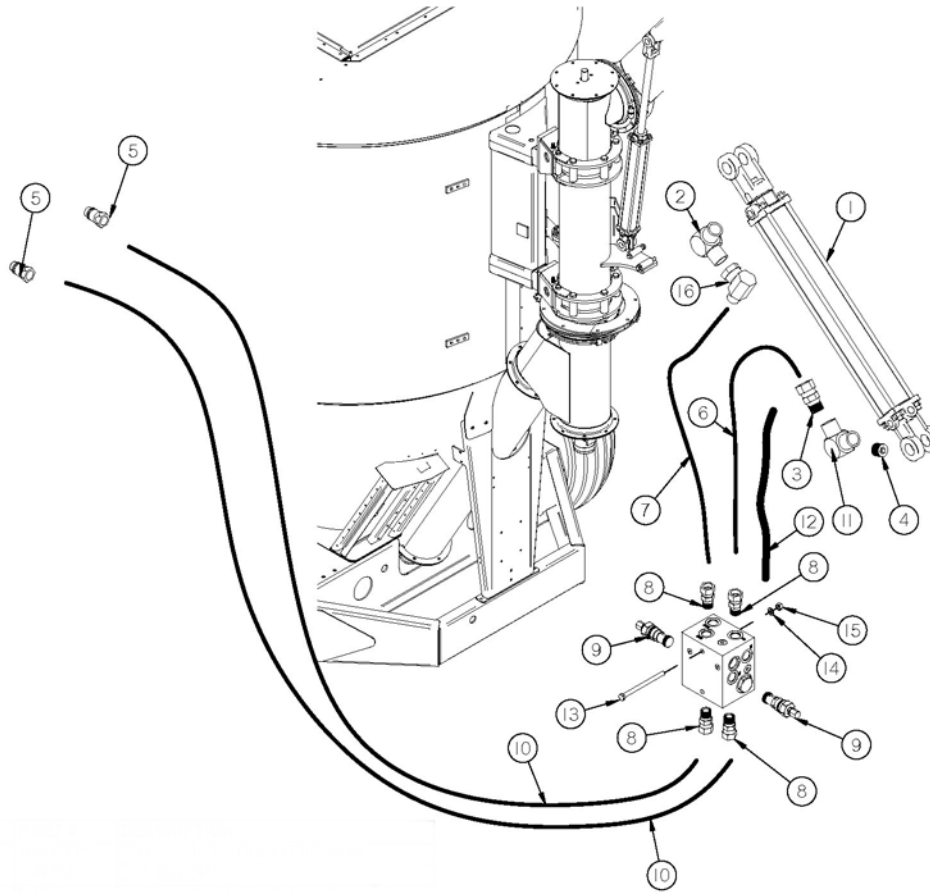


| <u>ITEM</u> | <u>PART #</u> | <u>DESCRIPTION</u>                |
|-------------|---------------|-----------------------------------|
| 1           | GM412         | MOTOR (PARKER) TB0390FP100AAAB    |
| 2           | 16SV351       | 3/8" NIPPLE NUT (5404-6-6)        |
| 3           | DWM233        | 3/8" MALE UNION ADAPTER           |
| 4           | CHM265        | NEEDLE VALVE (F600S)              |
| 5           | CHM164        | MALE ELBOW (6-6 CTX)              |
| 6           | GM43          | 3/8" X 264" HOSE                  |
| 7           | DWM205        | 1/2" MALE COUPLER                 |
| 8           | JB82          | BUSHING 1/2" TO 3/8" (5406-8-6)   |
| 9           | CHM279        | WELD PLATE                        |
| 10          | CHM278        | CLAMP HALVES 3/8" HOSE            |
| 11          | CHM277        | COVER PLATE                       |
| 12          | CHM276        | HEX BOLT                          |
| *           | CHM270        | COMPLETE 3/8" HOSE CLAMP (DOUBLE) |

**NOTE: \* MEANS NOT SHOWN**

# FIGURE 14

## AUGER LIFT CIRCUIT

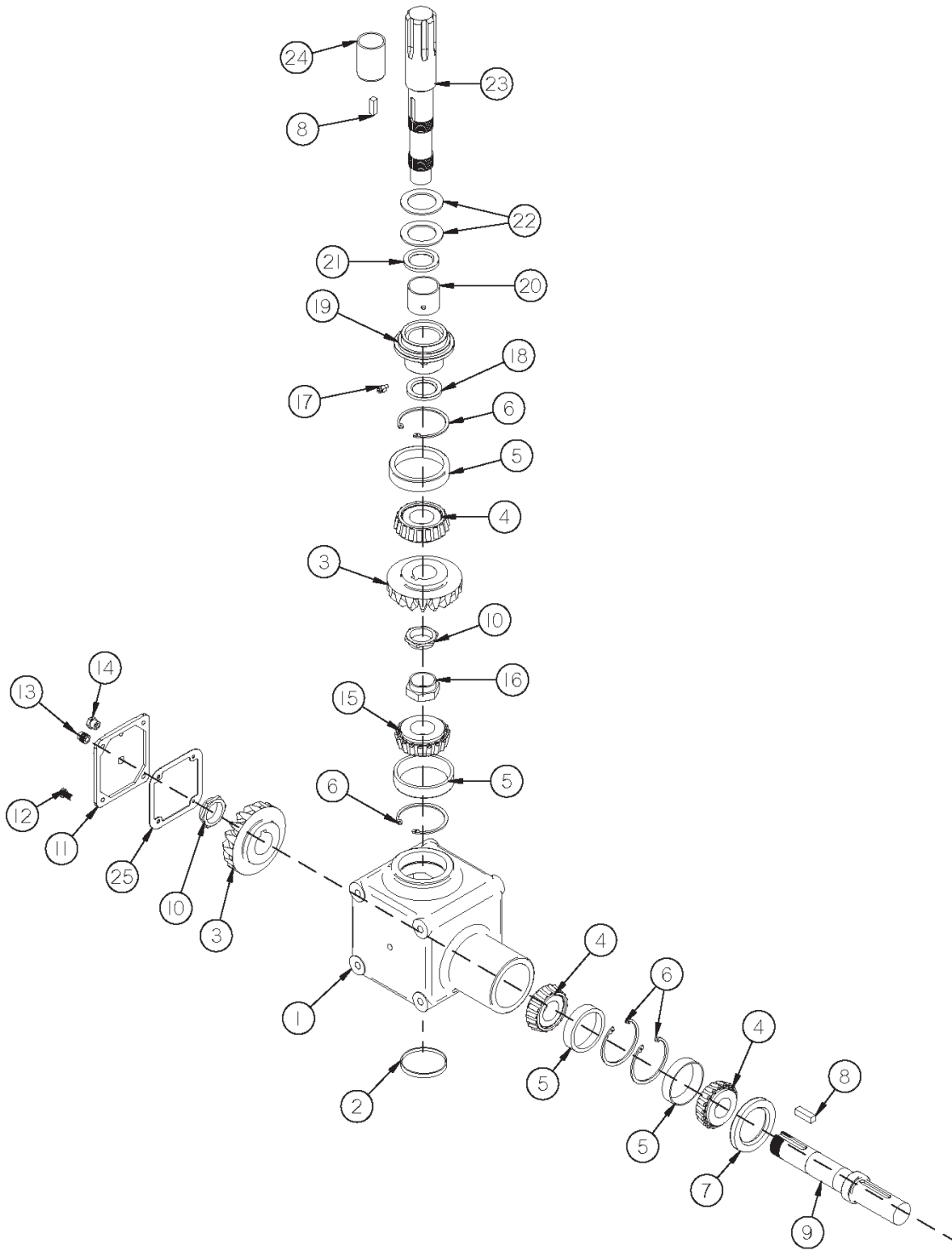


| <b>ITEM</b> | <b>PART #</b> | <b>DESCRIPTION</b>              |
|-------------|---------------|---------------------------------|
| 1           | 10WR11A       | 2-1/2" X 16" CYLINDER (645886)  |
| 2           | 23N234        | 3/8" ELBOW                      |
| 3           | DWM233        | 3/8" MALE UNION ADAPTER         |
| 4           | GM455         | RESTRICTOR (.032)               |
| 5           | DWM205        | 1/2" MALE COUPLER               |
| 6           | GM45          | 3/8" X 130" HOSE                |
| 7           | GM46          | 3/8" X 125" HOSE                |
| 8           | GM47          | ADAPTER (0507-6-6)              |
| 9           | GM48          | RELIEF CARTRIDGE                |
| 10          | GM51          | 3/8" X 240" HOSE                |
| 11          | GM446         | 3/8" STREET ELBOW               |
| *           | GM2AS16       | 3/8" STREET ELBOW W/ RESTRICTOR |
| 12          | GM32          | SPIRAL WRAP (HG125) 1-1/4" x 2' |
| 13          | YBHH10130     | BOLT, 5/16" X 5" GR. 5          |
| 14          | YWLO10005     | WASHER, LOCK, 5/16"             |
| 15          | YNHX10005     | HEX NUT, 5/16"                  |
| 16          | DWM110        | 3/8" FEMALE SWIVEL              |

**NOTE: \* MEANS NOT SHOWN**

# **FIGURE 15**

## **GEARBOX**



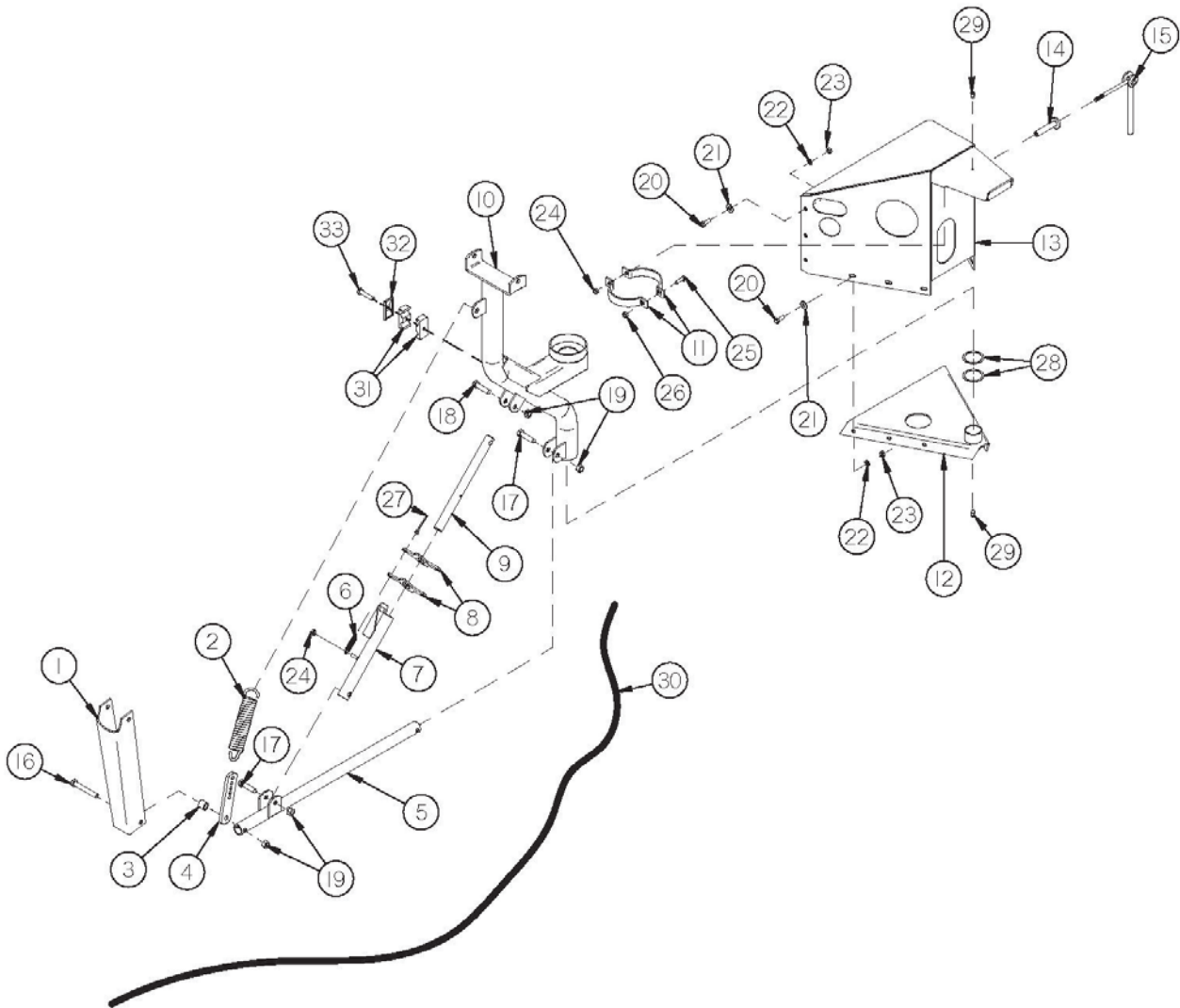
# **FIGURE 15**

## **GEARBOX**

| <b><u>ITEM</u></b> | <b><u>PART #</u></b> | <b><u>DESCRIPTION</u></b>                |
|--------------------|----------------------|--|
| 1                  | G50                  | HOUSING                                  |
| 2                  | G68                  | CAP                                      |
| 3                  | G52                  | BEVEL GEAR                               |
| 4                  | G53                  | BEARING CONE (14137A)                    |
| 5                  | G54                  | BEARING RACE (14276)                     |
| 6                  | G55                  | SNAP RING                                |
| 7                  | G64                  | SEAL (F465)                              |
| 8                  | 23N139               | KEY 3/8" X 1-3/8" (HARDENED)             |
| 9                  | GM495                | INPUT SHAFT                              |
| 10                 | G58                  | STAKE NUT (1-3/8"-18)                    |
| 11                 | GM484                | COVER                                    |
| 12                 | G56                  | CAPSCREW                                 |
| 13                 | G65                  | PLUG 3/8" NPT                            |
| 14                 | G67                  | VENT 1/8" NPT                            |
| 15                 | GM496                | BEARING CONE (14117A)                    |
| 16                 | GM486                | STAKE NUT LONG (1-3/8"-18) FITTING       |
| 17                 | GM419                | 1/8"GREASE LINE ADAPTER                  |
| 18                 | GM498                | SEAL (19745)                             |
| 19                 | GM482                | GEARBOX SEAL EXTENSION BUSHING           |
| 20                 | GM487                | (2-1/4" OD x 2" ID x 1.765) SEAL (19786) |
| 21                 | GM499                | THRUST WASHER (2" ID x 3" OD x 1/8")     |
| 22                 | RG24                 | OUTPUT SHAFT                             |
| 23                 | GM500                | GEARBOX OUTPUT BUSHING GASKET            |
| 24                 | GM483                | COMPLETE MACHINE GEARBOX                 |
| 25                 | G66                  |  |
| *                  | GM489                |  |

**NOTE: \* MEANS NOT SHOWN**

**FIGURE 16**  
**INFEEED CONVEYOR PIVOT**





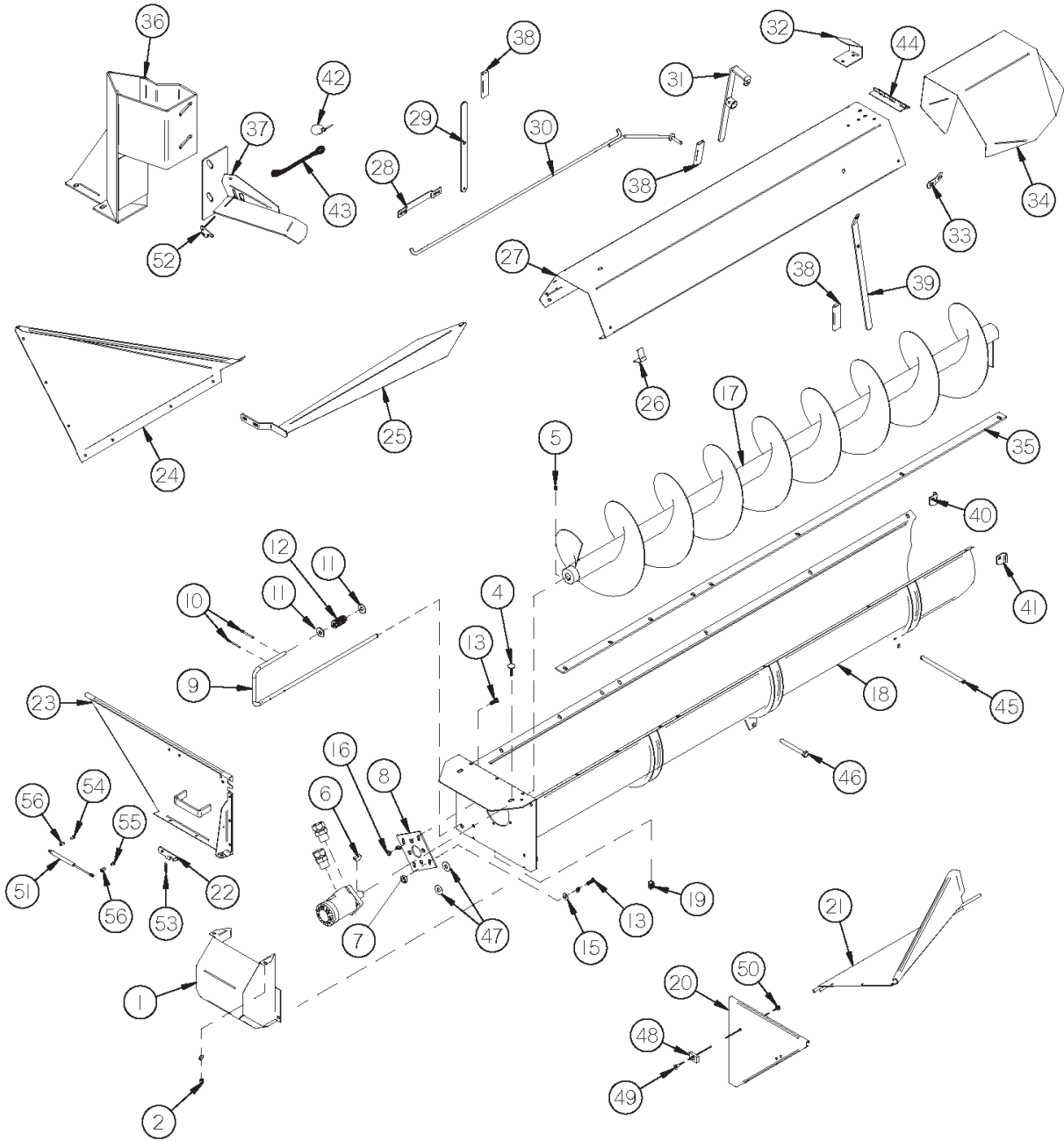
## FIGURE 16

### INFEED CONVEYOR PIVOT

| <u>ITEM</u> | <u>PART #</u> | <u>DESCRIPTION</u>          |
|-------------|---------------|-----------------------------|
| 1           | GM203         | SUPPORT                     |
| 2           | GM204         | SPRING (40174)              |
| 3           | GM205         | SPACER                      |
| 4           | GM206         | SPRING ADJUSTMENT           |
| 5           | GM207         | PIVOT LINKAGE               |
| 6           | GM208         | SPRING (17H387)             |
| 7           | GM209         | LOCKING TUBE                |
| 8           | GM210         | LOCKING LEVER               |
| 9           | GM211         | LOCKING SHAFT               |
| 10          | GM212         | PIVOT MAIN SUPPORT          |
| 11          | GM213         | BRAKE BAND                  |
| 12          | GM214         | BOTTOM SUPPORT              |
| 13          | GM215         | TOP SUPPORT                 |
| 14          | GM216         | LEVER GUIDE                 |
| 15          | GM217         | BRAKE LEVER                 |
| 16          | YBHH16115     | BOLT, 1/2" X 3-1/2" GR. 5   |
| 17          | YBHH16095     | BOLT, 1/2" X 2-1/4" GR. 5   |
| 18          | YBHH16065     | BOLT, 1/2" X 2" GR. 5       |
| 19          | YNL16005      | HEX NUT, TOP LOCK, 1/2"-13  |
| 20          | YBHH12010     | BOLT, 3/8" X 1" GR. 5       |
| 21          | YWFL12005     | WASHER, FLAT, 3/8" USS      |
| 22          | YWLO12005     | WASHER, LOCK, 3/8"          |
| 23          | YNHX12005     | HEX NUT, 3/8"-16            |
| 24          | YNL12005      | HEX NUT, TOP LOCK, 3/8"-16  |
| 25          | YBHH10045     | BOLT, 5/16" X 1-1/4" GR. 5  |
| 26          | YNL10005      | HEX NUT, TOP LOCK, 5/16"-18 |
| 27          | YPCT06002     | COTTER PIN, 3/16" X 1"      |
| 28          | GM219         | PIVOT SPACER                |
| 29          | RG51          | GREASE FITTING 90°          |
| 30          | GM434         | TRIP ROPE                   |
| 31          | GM70          | 1/2" INSERT                 |
| 32          | GM69          | TOP PLATE                   |
| 33          | GM68          | BOLT                        |

# FIGURE 17

## INFEEED CONVEYOR



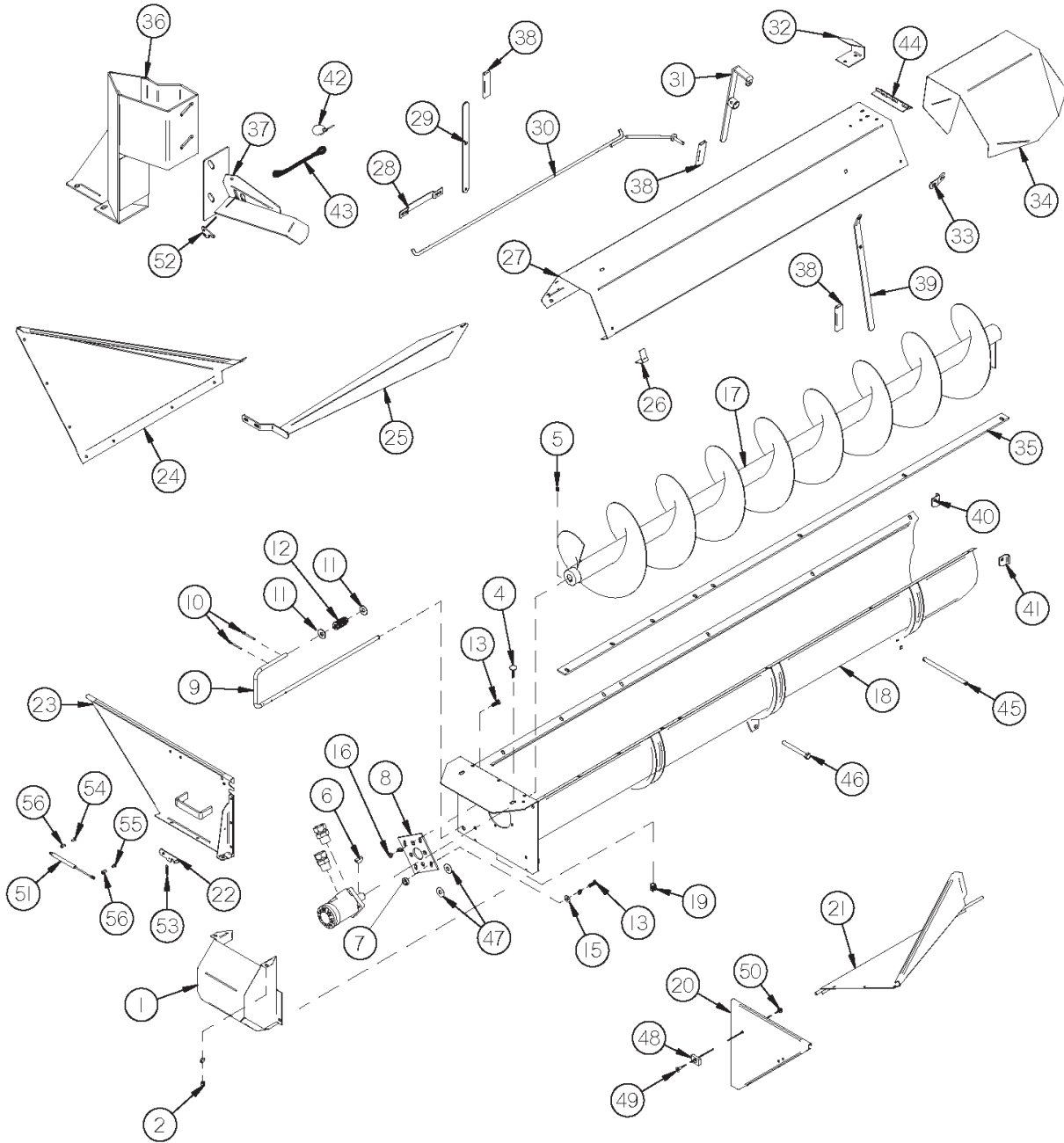
## **FIGURE 17**

### **INFEED CONVEYOR**

| <b><u>ITEM</u></b> | <b><u>PART #</u></b> | <b><u>DESCRIPTION</u></b>                         |
|--------------------|----------------------|---|
| 1                  | GM178                | SHIELD  |
| 2                  | YNHX10005            | HEX NUT, 5/16"                                    |
| 3                  | YWLO10005            | WASHER, LOCK, 5/16"                               |
| 4                  | YBCR10010            | CARR. BOLT, 5/16" X 1" GR. 5                      |
| 5                  | YSKP08010            | SET SCREW, SOCKET, KNURLED CUP PT, 1/4"-20 X 1/2" |
| 6                  | 5B10                 | 1/4" KEY  |
| 7                  | GM180                | SPACER  |
| 8                  | GM181                | MOTOR MOUNT                                       |
| 9                  | GM182                | HANDLE LATCH                                      |
| 10                 | YPCT04005            | COTTER PIN, 1/8" X 1"                             |
| 11                 | YWFL16005            | WASHER, FLAT, 1/2" USS                            |
| 12                 | 17G128               | SPRING  |
| 13                 | YBHH12130            | BOLT, 3/8" X 3/4" GR. 2                           |
| 14                 | YWLO12005            | WASHER, LOCK, 3/8"                                |
| 15                 | YWFL12005            | WASHER, FLAT, 3/8" USS                            |
| 16                 | YNHX12005            | HEX NUT, 3/8"-16                                  |
| 17                 | GM184                | AUGER   |
| 18                 | GM185                | TROUGH  |
| 19                 | GM202                | 1/2" PLUG (5406-8P)                               |
| 20                 | GM186                | TROUGH END RIGHT                                  |
| 21                 | GM187                | SIDE TROUGH                                       |
| 22                 | GM188                | TROUGH LATCH                                      |
| 23                 | 0161WE23             | TROUGH END  |
| 24                 | GM190                | TROUGH SIDE LEFT                                  |
| 25                 | GM191                | AUGER GUARD                                       |
| 26                 | GM192                | SUPPORT PIVOT                                     |
| 27                 | GM193                | CONVEYOR COVER                                    |
| 28                 | GM194                | HANDLE GUIDE                                      |
| 29                 | GM195                | HANDLE  |
| 30                 | GM196                | FLOW CONTROL ROD                                  |

# **FIGURE 17**

## **INFEEED CONVEYOR**



## FIGURE 17

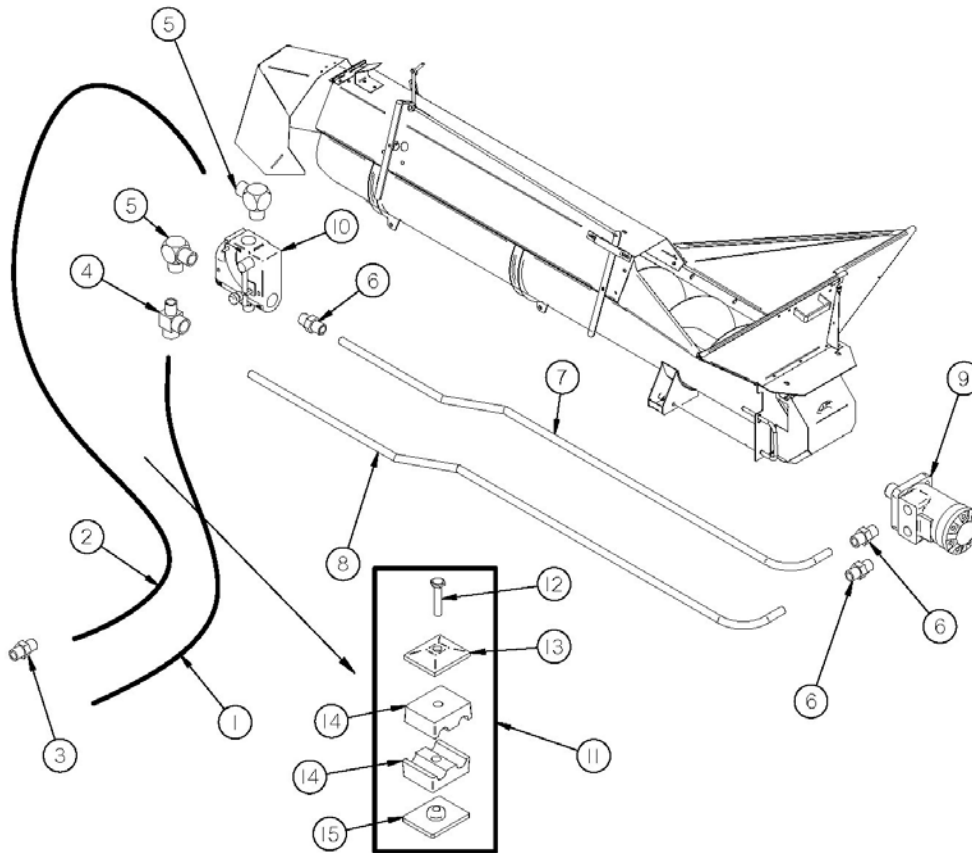
### INFEED CONVEYOR

| <u>ITEM</u> | <u>PART#</u> | <u>DESCRIPTION</u>                                     |
|-------------|--------------|--|
| 31          | GM197        | FLOW CONTROL HANDLE                                    |
| 32          | GM198        | TROUGH EXTENSION STOP                                  |
| 33          | GM199        | COVER HOLDER   |
| 34          | GM200        | TROUGH EXTENSION                                       |
| 35          | GM201        | SCRAPER  |
| 36          | GM54         | TRANSPORT POST   |
| 37          | GM75         | TRANSPORT SUPPORT                                      |
| 38          | GM370        | HANDLE GRIP  |
| 39          | GM371        | CONTROL HANDLE   |
| 40          | GM372        | COVER STOP RIGHT                                       |
| 41          | GM373        | COVER STOP LEFT  |
| 42          | PB190        | LYNCH PIN  |
| 43          | S122         | LANYARD  |
| 44          | GM126        | HINGE  |
| 45          | GM458        | PIVOT PIN  |
| 46          | YBHH16140    | BOLT, 1/2" X 4-1/2" GR. 5                              |
| 47          | S304         | WASHER   |
| 48          | 0161PL01     | POLY BUMPER  |
| 49          | YSFS10001    | FLAT HEAD SOCKET CAP SCREW, 5/16"-18 X 3/4" GR. 5 ZINC |
| 50          | YNSF10005    | 5/16"-18, SERRATED HAX FLANGE NUT                      |
| 51          | 8346         | GAS SPRING - 20LB                                      |
| *           | TS381        | 10 MM STEEL BALL SOCKET (9416K74)                      |
| *           | TS382        | 10 MM BALL MOUNTING (9512K73)                          |
| 52          | 01616G22     | ADJUSTABLE LOCK  |
| 53          | GM208        | SPRING (17H387)  |
| 54          | YBHH10105    | BOLT, 5/16" X 3/4" GR. 5                               |
| 55          | YBHH10020    | BOLT, 5/16" X 1/2" GR. 5                               |
| 56          | YNCO10005    | HEX NUT, COUPLING, 5/16"-18 X 7/8"                     |

**NOTE: \* MEANS NOT SHOWN**

# FIGURE 18

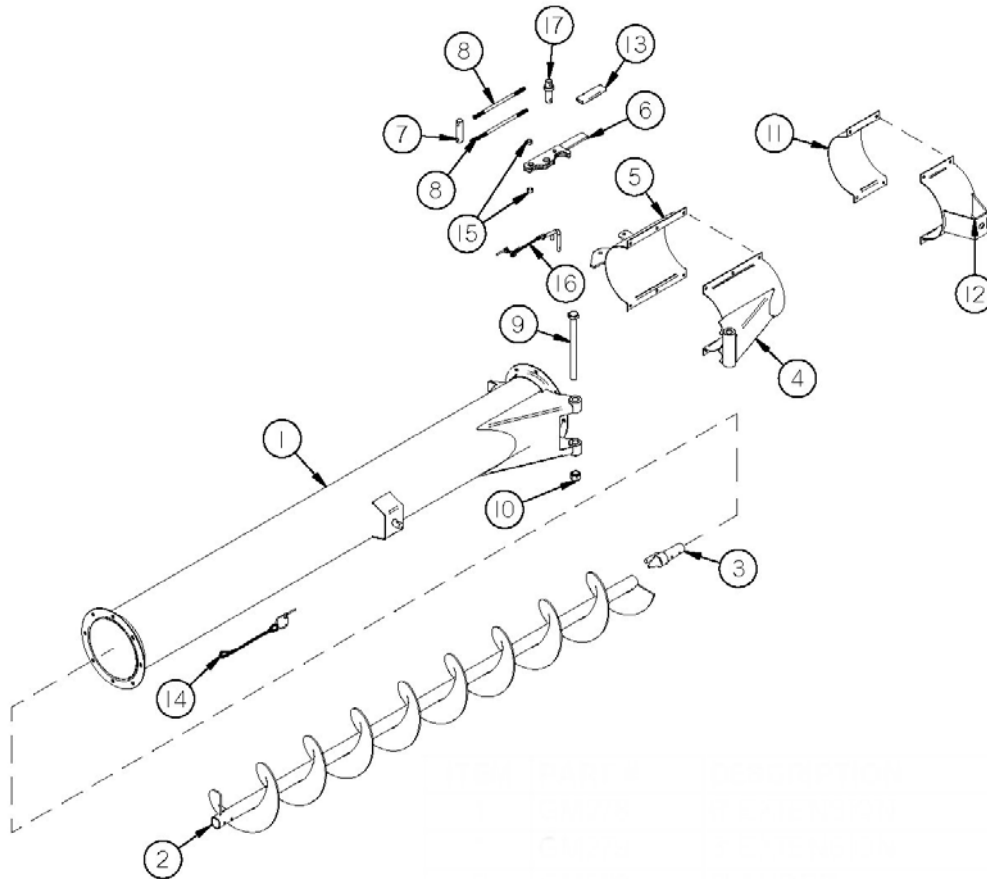
## INFEEED AUGER CIRCUIT



| <u>ITEM</u> | <u>PART #</u> | <u>DESCRIPTION</u>              |
|-------------|---------------|---------------------------------|
| 1           | GM52          | 1/2" X 81-1/4" HOSE             |
| 2           | GM53          | 1/2" X 97-1/2" HOSE             |
| 3           | GM17          | ADAPTER (8 HTX)                 |
| 4           | GM55          | TEE (10 R6X)                    |
| 5           | GM56          | ELBOW (10 C50X)                 |
| 6           | GM57          | ADAPTER (10 F50X)               |
| 7           | GM58          | PRESSURE TUBE                   |
| 8           | GM59          | RETURN TUBE                     |
| 9           | GM61          | MOTOR (101-1013-009)            |
| 10          | GM20          | FLOW CONTROL                    |
| 11          | GM9           | HOSE CLAMP 1/2" TWIN (COMPLETE) |
| 12          | GM68          | BOLT                            |
| 13          | GM69          | TOP PLATE                       |
| 14          | GM70          | 1/2" INSERT                     |
| 15          | GM71          | WELD PLATE                      |

# FIGURE 19

## 3' & 6' AUGER EXTENSION

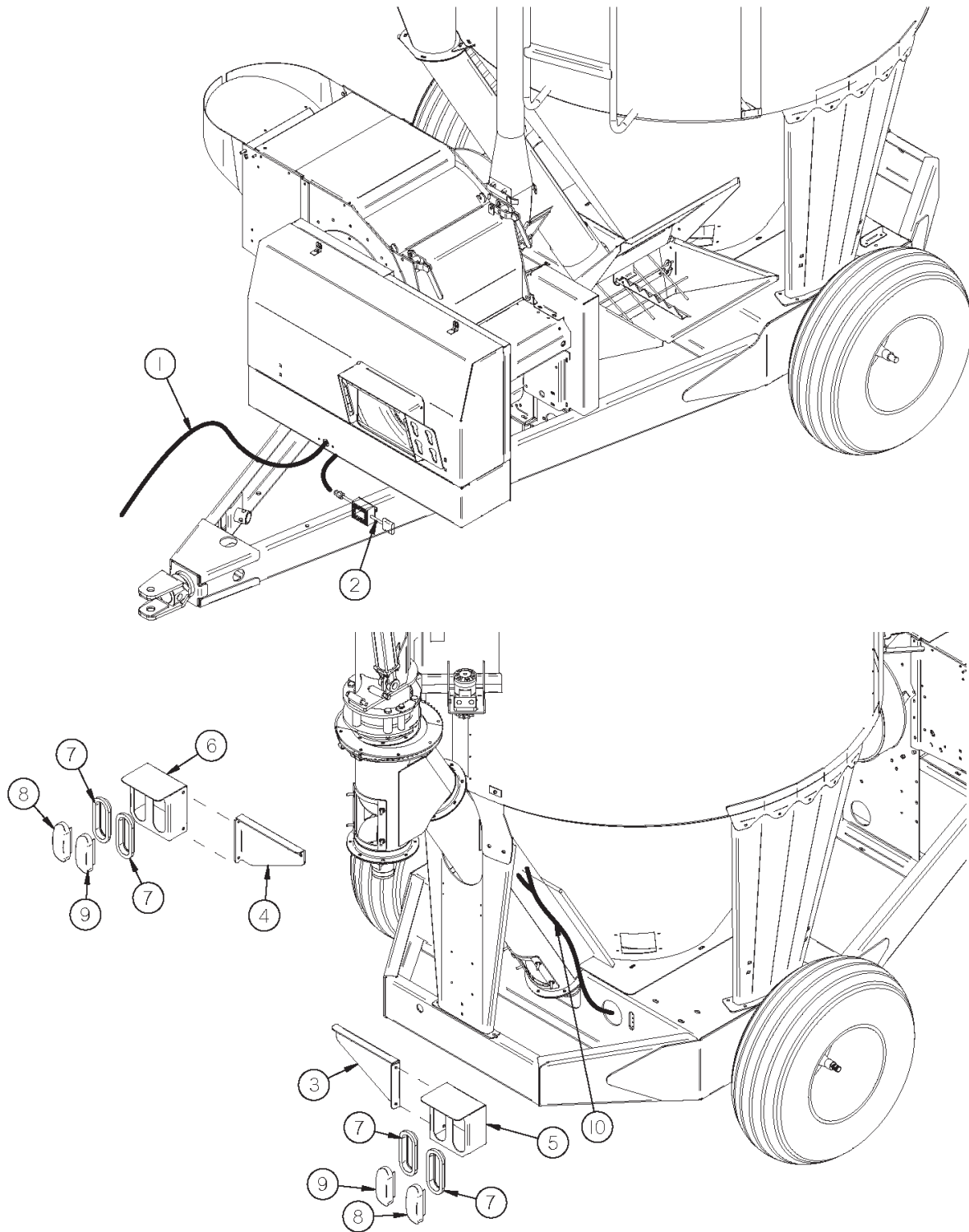


| <u>ITEM</u> | <u>PART #</u> | <u>DESCRIPTION</u>              |
|-------------|---------------|---------------------------------|
| 1           | GM278         | 6' EXTENSION                    |
| *           | GM279         | 3' EXTENSION                    |
| 2           | GM280         | 6' AUGER                        |
| *           | GM281         | 3' AUGER                        |
| 3           | GM282         | AUGER CONNECT SHAFT             |
| 4           | GM283         | PIVOT CLAMP                     |
| 5           | GM284         | LATCH CLAMP                     |
| 6           | GM285         | LATCH HANDLE                    |
| 7           | GM286         | LATCH PIVOT SHAFT               |
| 8           | GM287         | LATCH ROD                       |
| 9           | YBHH24120     | BOLT, 3/4" X 9" GR. 5           |
| 10          | YNTL24005     | HEX NUT, TOP LOCK, 3/4"-10      |
| 11          | GM289         | TRANSPORT LOCK CLAMP            |
| 12          | GM290         | TRANSPORT LOCK LATCH            |
| 13          | GM370         | HANDLE GRIP                     |
| 14          | S122          | CLIP PIN W/ LANYARD             |
| 15          | GM180         | PIVOT SPACER                    |
| 16          | GM573         | LATCH PIN W/ CLIP PIN & LANYARD |
| 17          | GM369         | LATCH PIVOT PIN                 |
| 18          | GMOCE         | CRADLE EXTENSION (OPTIONAL)     |

**NOTE: \* MEANS NOT SHOWN**

# FIGURE 20

## OPTIONAL LIGHTS





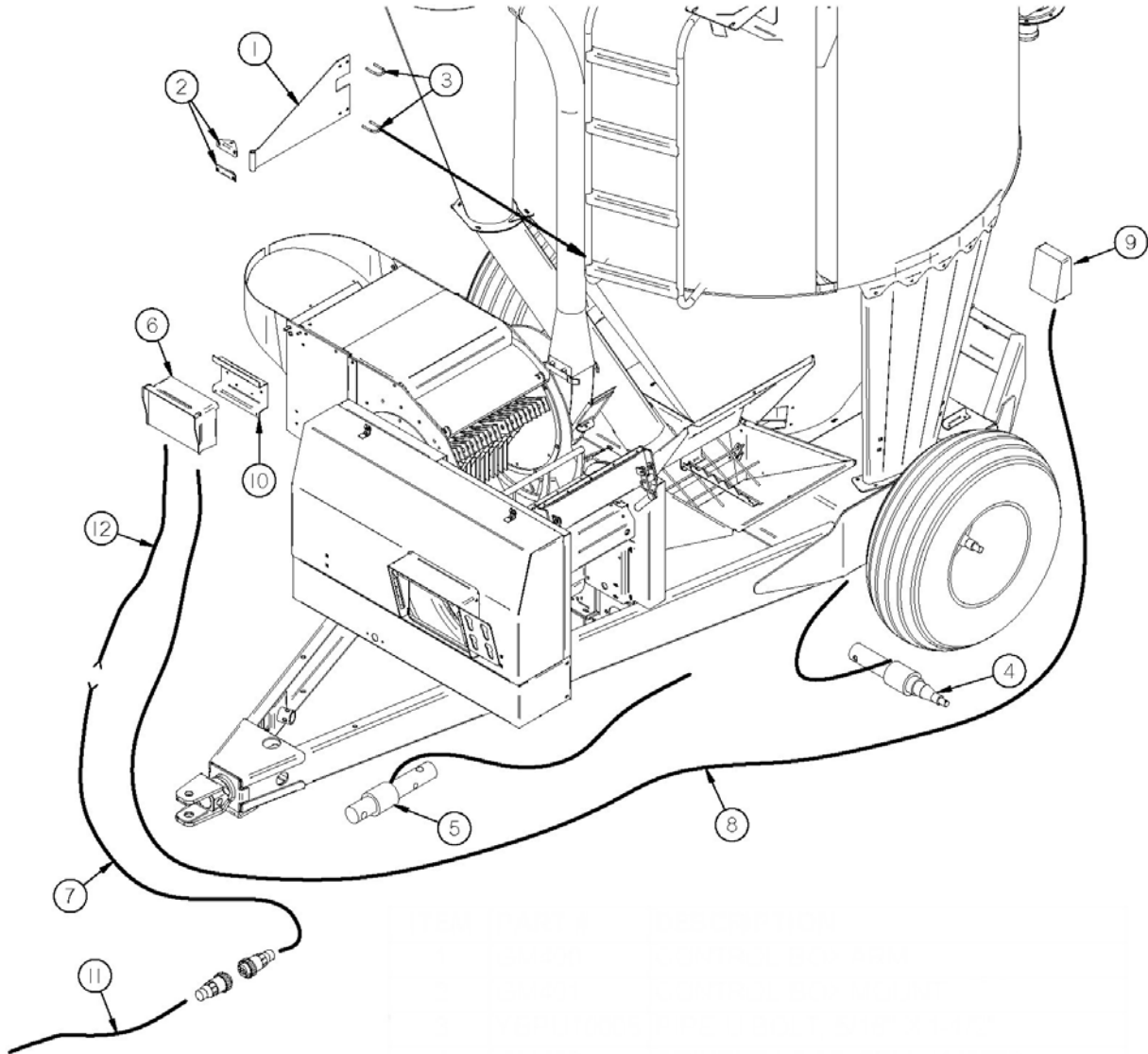
## **FIGURE 20**

### **OPTIONAL LIGHTS**

| <b><u>ITEM</u></b> | <b><u>PART #</u></b> | <b><u>DESCRIPTION</u></b> |
|--------------------|----------------------|---------------------------|
| 1                  | 56N154               | FLASHER MODULE LOOM       |
| 2                  | S441                 | FLASHER MODULE            |
| 3                  | GM330                | LIGHT BRACKET RIGHT       |
| 4                  | GM331                | LIGHT BRACKET LEFT        |
| 5                  | 55N62                | LIGHT HOUSING RIGHT       |
| 6                  | 55N61                | LIGHT HOUSING LEFT        |
| 7                  | S308                 | RUBBER GROMMET            |
| 8                  | S309                 | AMBER HAZARD LIGHT        |
| 9                  | S310                 | RED HAZARD LIGHT          |
| 10                 | GM502                | LIGHT HARNESS             |

# FIGURE 21

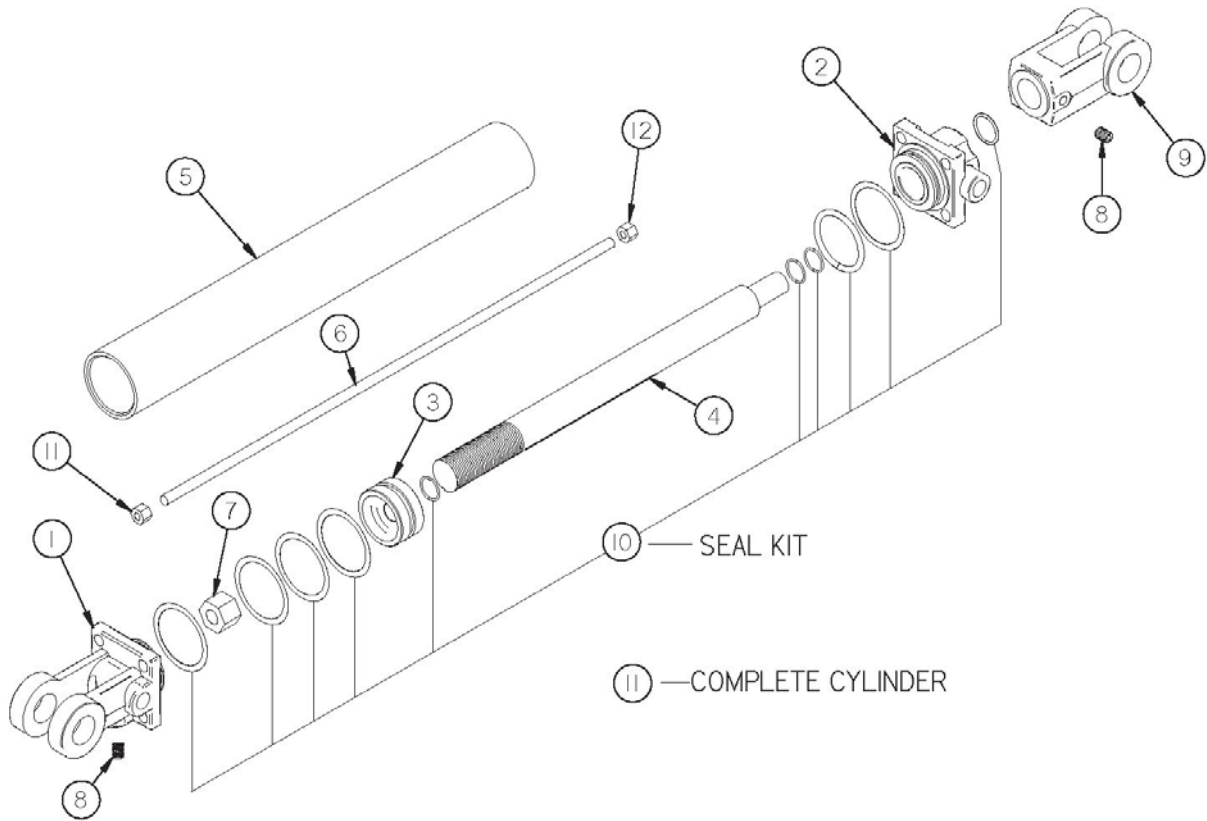
## OPTIONAL SCALE



| <u>ITEM</u> | <u>PART #</u> | <u>DESCRIPTION</u>             |
|-------------|---------------|--------------------------------|
| 1           | GM400         | CONTROL BOX ARM                |
| 2           | GM401         | CONTROL BOX MOUNT              |
| 3           | YBPU10005     | PIPE U BOLT, 5/16" X 1-1/2"    |
| 4           | GM402         | SPINDLE LOAD CELL (146772)     |
| 5           | GM403         | HITCH LOAD CELL (143480)       |
| 6           | GM404         | SCALE DISPLAY (400590)         |
| 7           | GM405         | POWER CORD                     |
| 8           | GM406         | JUNCTION BOX CORD (824316)     |
| 9           | GM407         | JUNCTION BOX (404465)          |
| 10          | GM408         | SCALE HANGER BRACKET (840459)  |
| 11          | 16SV269       | TRACTOR POWER CORD             |
| 12          | TS385         | CABLE POWER 10FT 4-WIRE 146698 |

## FIGURE 22

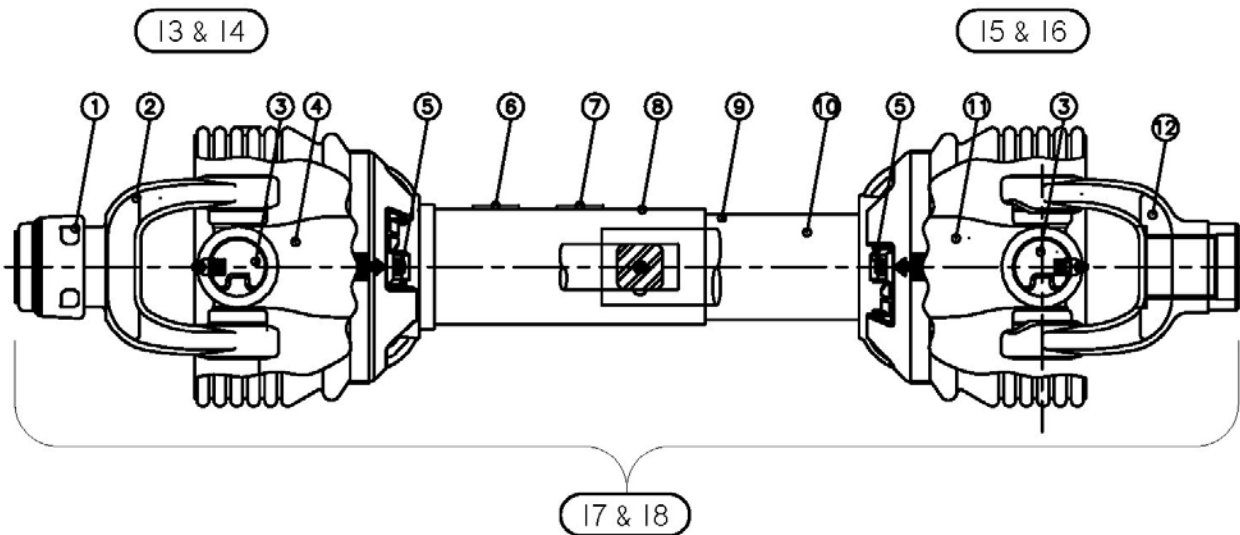
### HYDRAULIC CYLINDER



| <u>ITEM</u> | <u>QTY</u> | <u>PART #</u> | <u>DESCRIPTION</u>          |
|-------------|------------|---------------|-----------------------------|
| 1           | 1          | T181A         | CLEVIS CAP                  |
| *           | 1          | 56173         | CLEVIS CAP                  |
| 2           | 1          | T182A         | ROD CAP                     |
| *           | 1          | 56175         | ROD CAP                     |
| 3           | 1          | T183          | PISTON                      |
| *           | 1          | 56181         | PISTON                      |
| 4           | 1          | 23N145A       | ROD                         |
| 5           | 1          | 10WR45        | CYLINDER TUBE               |
| 6           | 4          | 23N147        | TIE ROD                     |
| 7           | 1          | 23N148        | PISTON NUT                  |
| 8           | 2          | 23N149        | PLUG                        |
| 9           | 1          | 23N150A       | ROD CLEVIS                  |
| 10          | 1          | T187          | SEAL KIT                    |
| *           | 1          | 56188         | SEAL KIT                    |
| 11          | 1          | 10WR11A       | COMPLETE HYDRAULIC CYLINDER |
| *           | 1          | 56007         | COMPLETE HYDRAULIC CYLINDER |
| 12          | 8          | YNHX12005     | HEX NUT, 3/8"-16            |

# FIGURE 23

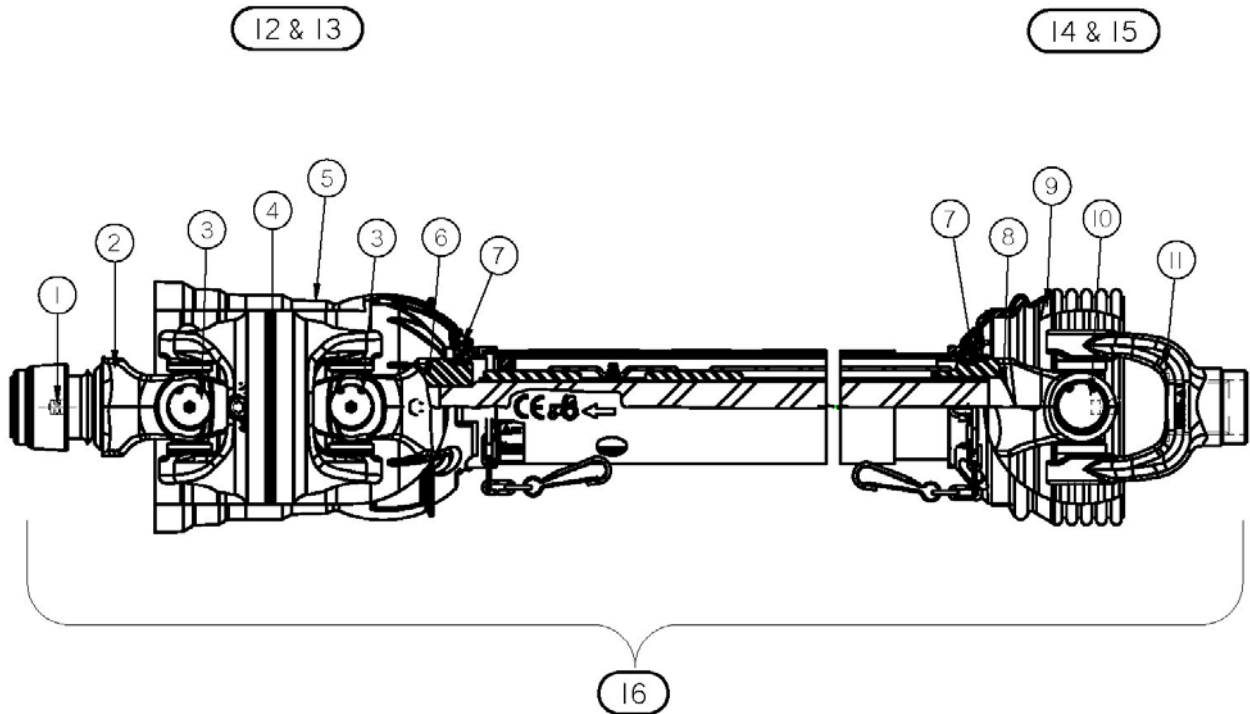
## PTO



| <u>ITEM</u> | <u>540 RPM</u> | <u>1000 RPM 1-3/8"</u> | <u>DESCRIPTION</u>                       |
|-------------|----------------|------------------------|--|
| 1           | 16SV274        | "                      | SAFETY SLIDE LOCK REPAIR KIT 540 RPM     |
| 2           | GM374          | GM375                  | SAFETY SLIDE LOCK YOKE ASSEMBLY 540 RPM  |
| 3           | GM376          | "                      | 55R CROSS & BEARING KIT                  |
| 4           | GM377          | "                      | YOKE & SHAFT                             |
| 5           | GM378          | "                      | NYLON REPAIR KIT (NOT SHOWN)             |
| 6           | 16SV283        | "                      | SAFETY SIGN                              |
| 7           | GM379          | GM380                  | SAFETY SIGN                              |
| 8           | GM381          | GM476                  | OUTER GUARD                              |
| 9           | GM382          | "                      | INNER GUARD                              |
| 10          | 16SV286        | "                      | SAFETY SIGN (NOT SHOWN)                  |
| 11          | GM383          | "                      | YOKE, TUBE & SLIP SLEEVE                 |
| 12          | GM384          | "                      | YOKE                                     |
| 13          | GM385          | GM477                  | JOINT & SHAFT HALF ASSEMBLY W/ GUARD     |
| 14          | GM386          | GM478                  | JOINT & SHAFT HALF ASSEMBLY              |
| 15          | GM387          | "                      | JOINT & TUBE HALF ASSEMBLY W/ GUARD      |
| 16          | GM388          | "                      | JOINT & TUBE HALF ASSEMBLY               |
| 17          | GM389          | ---                    | COMPLETE PTO 540 RPM (262-23944)         |
| 18          | ---            | GM390                  | COMPLETE PTO 1000 RPM 1-3/8" (262-23956) |

**NOTE:** " MEANS SAME AS PREVIOUS MODEL  
 --- MEANS NOT USED ON THIS MODEL

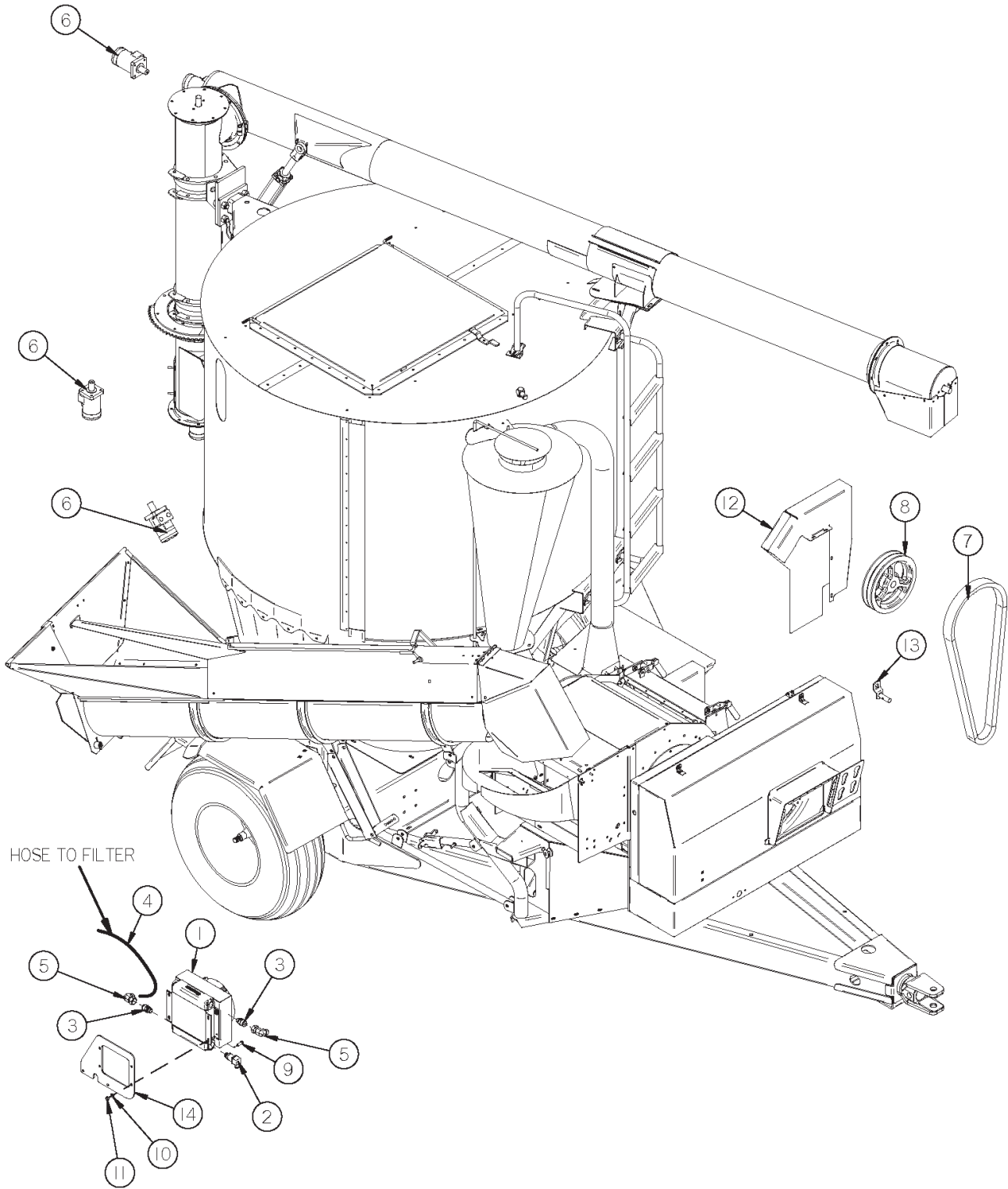
**FIGURE 24**  
**EUROPEAN PTO**



| <b><u>ITEM</u></b> | <b><u>PART #</u></b> | <b><u>DESCRIPTION</u></b>            |
|--------------------|----------------------|--------------------------------------|
| 1                  | 16SV274              | SAFETY SLIDE LOCK REPAIR KIT         |
| 2                  | 56655                | SAFETY SLIDE LOCK YOKE ASSEMBLY      |
| 3                  | 56656                | CROSS KIT                            |
| 4                  | 56509                | WWCV CENTER HOUSING                  |
| 5                  | 56657                | OUTER GUARD                          |
| 6                  | 56658                | YOKE & SHAFT                         |
| 7                  | 56659                | GUARD REPAIR KIT                     |
| 8                  | 56663                | YOKE, TUBE & SLIP SLEEVE             |
| 9                  | 56664                | INNER GUARD                          |
| 10                 | GM376                | 55R CROSS KIT                        |
| 11                 | GM384                | YOKE                                 |
| 12                 | 56650                | JOINT & SHAFT HALF ASSEMBLY W/ GUARD |
| 13                 | 56651                | JOINT & SHAFT HALF ASSEMBLY          |
| 14                 | 56652                | JOINT & TUBE HALF ASSEMBLY W/ GUARD  |
| 15                 | 56653                | JOINT & TUBE HALF ASSEMBLY           |
| 16                 | 8518                 | COMPLETE PTO                         |

# FIGURE 25

## OPTIONAL HI MOISTURE KIT (540 RPM & 1000 RPM)



## FIGURE 25

### OPTIONAL HI MOISTURE KIT (540 RPM & 1000 RPM)

| <u>ITEM</u> | <u>PART #</u> | <u>DESCRIPTION</u>                  |
|-------------|---------------|-------------------------------------|
| 1           | 8763          | COOLER                              |
| 2           | 8764          | THERMOSTATIC SWITCH                 |
| 3           | 8765          | 1/2 BSP TO 12 JIC MALE-MALE ADAPTER |
| 4           | 8766          | HYD HOSE 3/4" X 36"                 |
| 5           | 8767          | 3/4" 90 DEGREE ELBOW SWIVEL FITTING |
| 6           | 8768          | HYDRAULIC MOTOR                     |
| 7           | 56306         | V BELT (2/A68) (540 RPM)            |
| *           | 8769          | BELT 2/A56 POWER BAND (1000 RPM)    |
| 8           | 56635         | PUMP DRIVE SHEAVE (540 RPM) 2AK154  |
| *           | 8770          | PUMP DRIVE SHEAVE (1000 RPM)        |
| 9           | YBHH12010     | BOLT, 3/8" X 1" GR. 5               |
| 10          | YNHX12005     | HEX NUT, 3/8"-16                    |
| 11          | YWLO12005     | WASHER, LOCK, 3/8"                  |
| 12          | GM521         | LARGE SHIELD HYD PUMP               |
| 13          | GM522         | IDLER SHORT PIVOT                   |
| 14          | GM520         | COOLER BRACKET                      |
| *           | 56707         | WIRE - 8 FEET                       |

**NOTE: \* MEANS NOT SHOWN**







# H&S MFG. CO.

products approved

for the

## FEMA

# SEAL OF QUALITY

