

The logo consists of the letters 'H' and 'S' in a bold, sans-serif font, with an ampersand between them. The letters are white and are set against a dark grey rectangular background.

**PARTS BOOK**

# **9117 GRINDER MIXER**

# **TEMPORARY**

Revision #00

Starting Ser. #121GX17001

HSMFG0820

PART #90264

Manufactured by  
**H&S MANUFACTURING CO., INC.**  
2608 S. HUME AVE. MARSHFIELD, WI 54449  
(715) 387-3414 | [hsmfgco.com](http://hsmfgco.com)



# CONTENTS

Instructions for Ordering Parts . . . . .	1
Figure 1 - Hitch and Jack Components . . . . .	2-3
Figure 2 - Front Shield and Components . . . . .	4-5
Figure 3 - Flywheel and Components . . . . .	6-7
Figure 4 - Roller Chain and Components . . . . .	8-9
Figure 5 - Fender and Tank Support RH . . . . .	10-11
Figure 6 - Fender and Tank Support LH . . . . .	12-13
Figure 7 - Wheel and Hub Assembly . . . . .	14-15
Figure 8 - Infeed cover and Components . . . . .	16-17
Figure 9 - Infeed Chute and Components . . . . .	18-19
Figure 10 - Hammermill and Components . . . . .	20-21
Figure 11 - Hammermill and Panels . . . . .	22-23
Figure 12 - Screen Holder and Components . . . . .	24-25
Figure 13 - Fan Blower and Components . . . . .	26-27
Figure 14 - Hammermill Assembly . . . . .	28-29
Figure 15 - Blower Components . . . . .	30-31
Figure 16 - Housing Supplement Hopper and Components . . . . .	32-33
Figure 17 - Tank Cover and Components . . . . .	34-35
Figure 18 - Tank Windows and Components . . . . .	36-37
Figure 19 - Mixing Auger and Components . . . . .	38-39
Figure 20 - Yoke and Tube Components . . . . .	40-41
Figure 21 - Ladder and Components . . . . .	42-43
Figure 22 - Unloading auger and Components . . . . .	44-45
Figure 23 - Vertical Auger Tube and Components . . . . .	46-47
Figure 24 - Vertical Auger and Components . . . . .	48-49
Figure 25 - Auger Housing and Components . . . . .	50-51
Figure 26 - Gate and Components . . . . .	52-53
Figure 27 - Horizontal Auger and Components . . . . .	54-55
Figure 28 - Transfer Auger and Components . . . . .	56-57
Figure 29 - Drive Pulley and Components . . . . .	58-59
Figure 30 - Hydraulics . . . . .	60-63
Figure 31 - Hydraulic Tank . . . . .	64-65
Figure 32 - Conventional Swinging Intake Auger Option . . . . .	66-67
Figure 33 - Conventional Swinging Intake Auger Option . . . . .	68-69
Figure 34 - Conventional Swinging Intake Auger Option . . . . .	70-71
Figure 35 - 6' Folding Extension Option . . . . .	72-73
Figure 36 - 3' Folding Extension Option . . . . .	74-75
Figure 37 - Rear Supplement Option . . . . .	76-77
Figure 38 - 2500 Scale Option . . . . .	78-79
Figure 39 - 3410 Scale Option . . . . .	80-81
Figure 40 - Mill Screen Options . . . . .	82-83
Figure 41 - Gearbox and Components . . . . .	84-85
Figure 42 - Lights . . . . .	86-87
Figure 43 - 540 RPM PTO Option . . . . .	88-89
Figure 44 - 1000 RPM PTO Option . . . . .	90-91
Figure 45 - Infeed Auger . . . . .	92-93
Figure 46 - Infeed Auger . . . . .	94-95

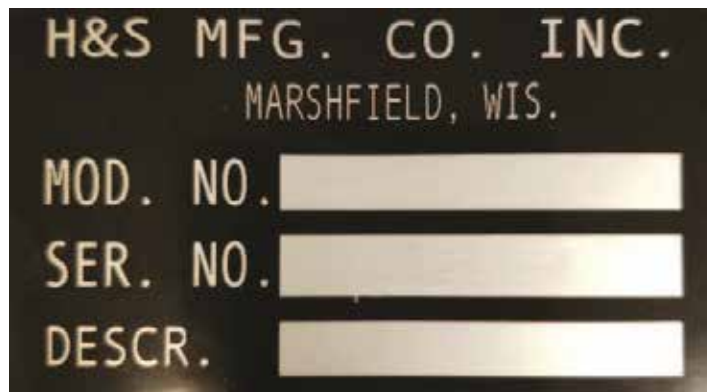
# **INSTRUCTIONS FOR ORDERING PARTS**

All service parts should be ordered through your authorized H&S dealer. Your Dealership will be able to give you faster service if you will provide them with the following:

1. Model & Serial Number - Both can be located bottom of front guard.
2. All references to left or right apply to the machine as viewed from the rear.
3. Parts should not be ordered from illustration only. Please order complete part number.
4. If your dealer has to order parts - give shipping instructions:

VIA truck - large pieces (please specify local truck lines)

VIA United Parcel Service (include full address)



H&S MFG. CO. INC.  
MARSHFIELD, WIS.

MOD. NO.

SER. NO.

DESCR.

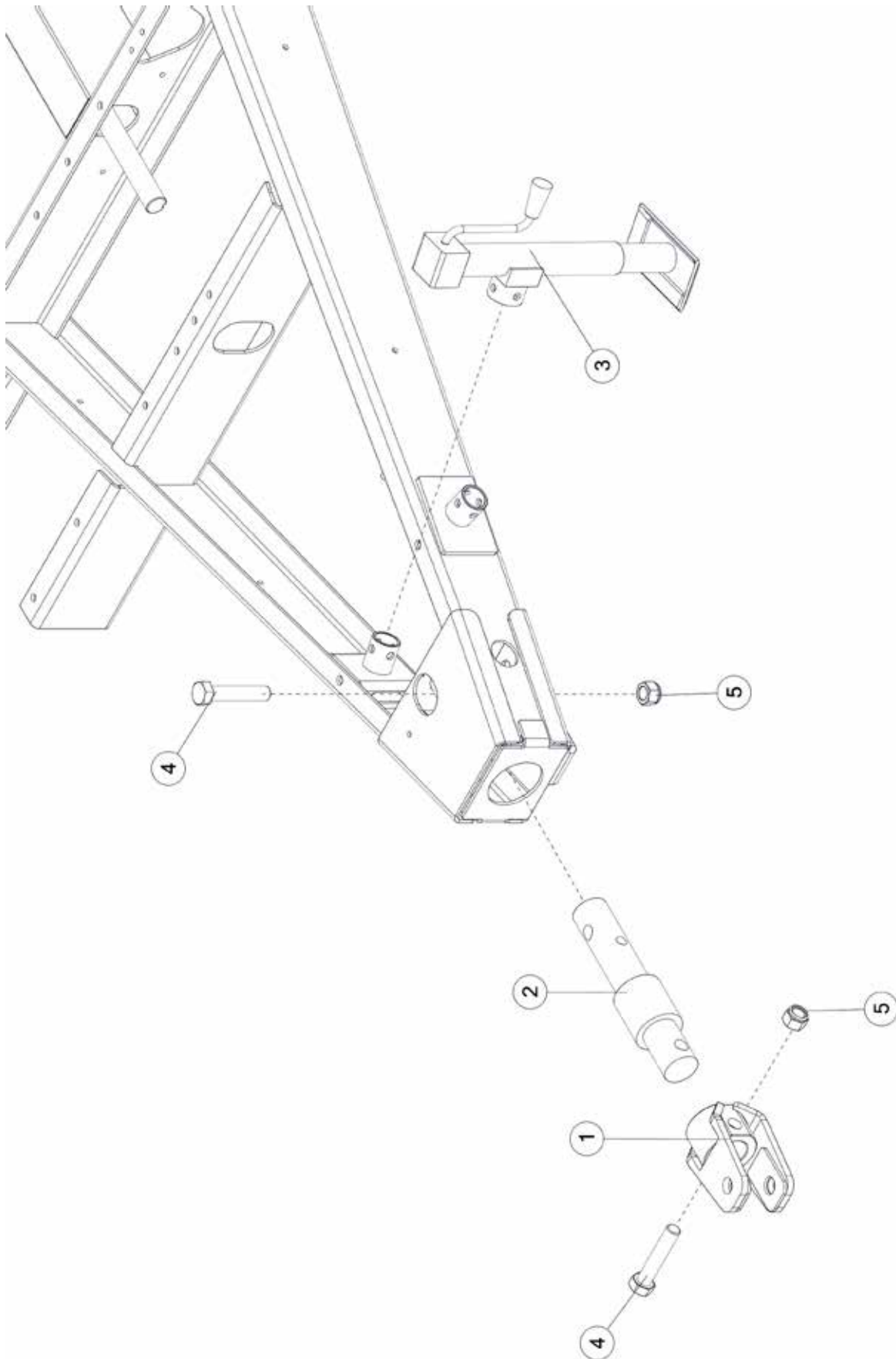
PLEASE RECORD NUMBERS FOR YOUR UNIT FOR QUICK REFERENCE

## **ABOUT IMPROVEMENTS**

H&S IS CONTINUALLY STRIVING TO IMPROVE IT'S PRODUCTS

We must therefore, reserve the right to make improvements or changes whenever it becomes practical to do so, without incurring any obligation to make changes or additions to the equipment previously sold.

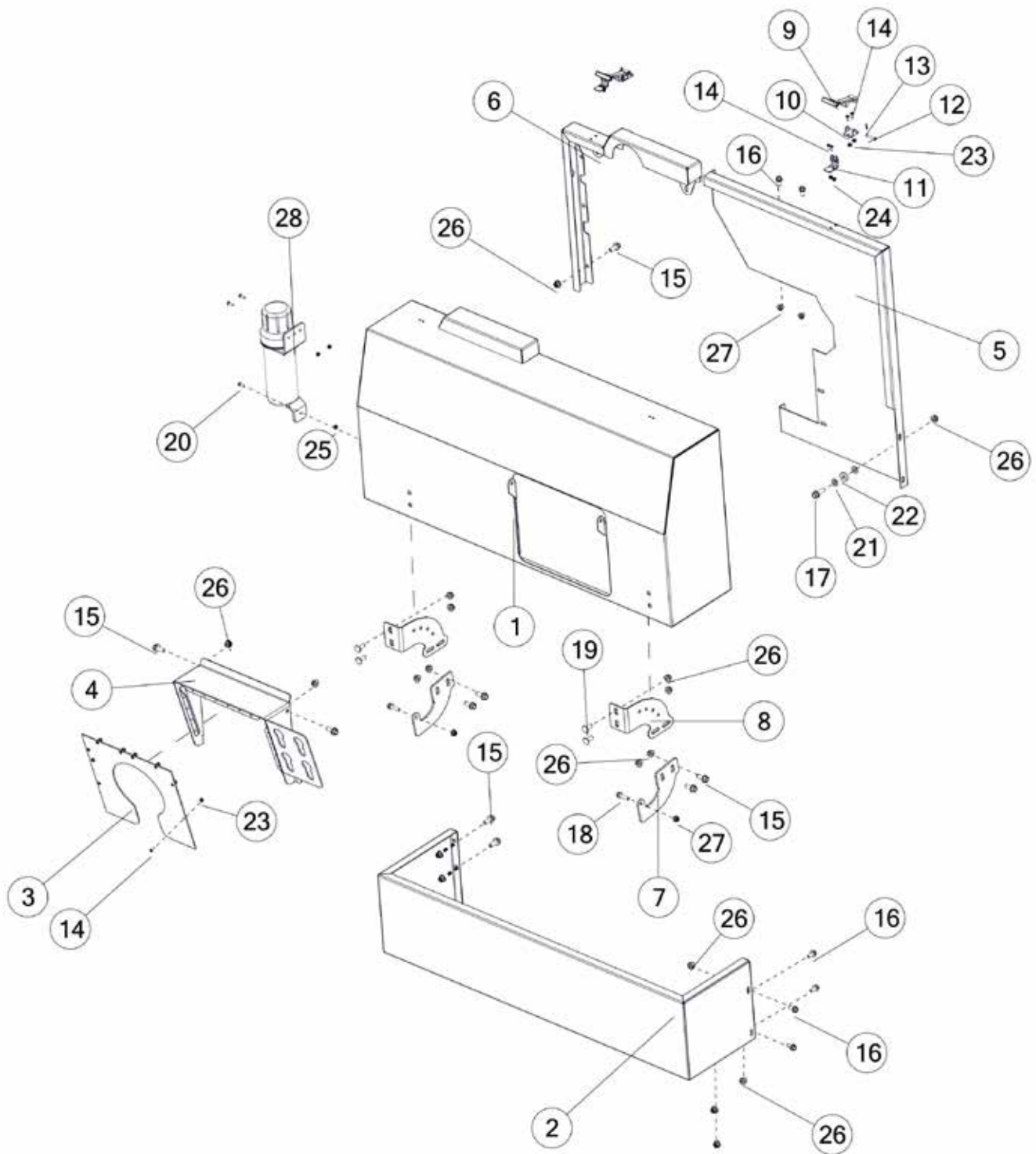
# **FIGURE 1** **HITCH AND JACK COMPONENTS**



**FIGURE 1**  
**HITCH AND JACK COMPONENTS**

<b><u>ITEM</u></b>	<b><u>QTY</u></b>	<b><u>PART#</u></b>	<b><u>DESCRIPTION</u></b>
1	1	GM74	CLEVIS HITCH
2	1	GM403	HITCH LOAD CELL
3	1	GM396	JACK
4	2	YBHH32020	BOLT HEX, 1 X 5 G5
5	2	YNNY32005	NUT HEX, NYLON LOCKNUT, 1

# **FIGURE 2** **FRONT SHIELD AND COMPONENTS**

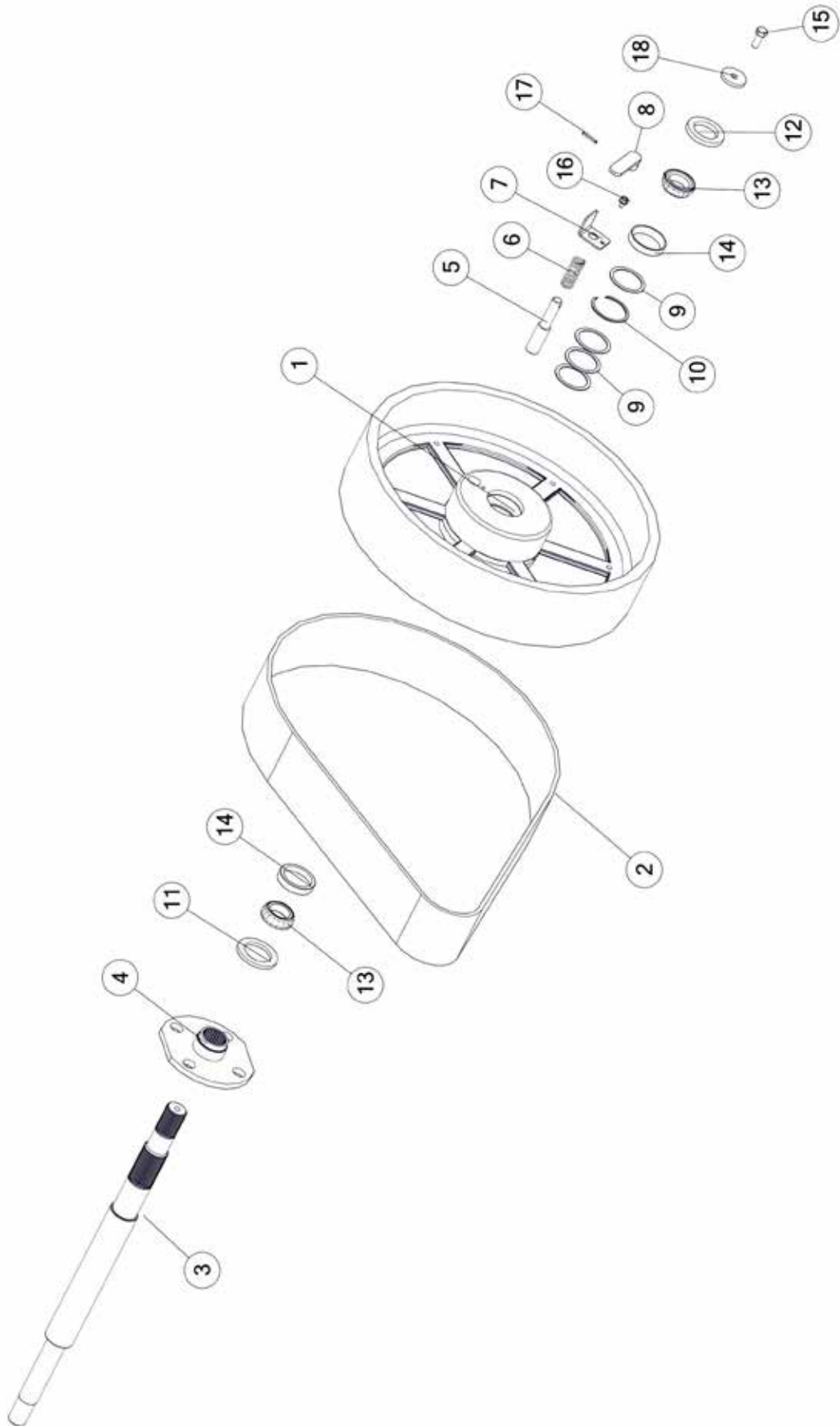


## FIGURE 2

### FRONT SHIELD AND COMPONENTS

<u>ITEM</u>	<u>QTY</u>	<u>PART#</u>	<u>DESCRIPTION</u>
1	1	80604	FRONT SHIELD
2	1	80592	SHIELD, FLY WHEEL, LOWER
3	1	84534	POLY PTO GUARD
4	1	80606	SHIELD PTO GUARD
5	1	80575	SHIELD, FLYWHEEL BACK
6	1	80834	SHIELD, TOP SEAL
7	1	GM529	SHIELD FRONT HINGE BOTTOM
8	1	80608	SHIELD FRONT HINGE TOP
9	2	X192	RUBBER LATCH
10	2	X194	LATCH MOUNTING BRACKET
11	2	X193	LATCH KEEPER
12	2	X195	PIN
13	2	YPCT02005	COTTER PIN, 1/16 X 1/2
14	12	YSPP62005	SCREW PAN HEAD PHILLIPS, #8 X 1/2
15	9	YBFB12003	BOLT FLANGE, 3/8 X 1 G5 ZC
16	4	YBFB10075	BOLT FLANGE, 5/16 X 3/4 G5
17	1	YBFB12125	BOLT FLANGE, 3/8 X 1-1/4 G5
18	2	YBFB10125	BOLT FLANGE, 5/16 X 1-1/4 G5
19	4	YBCR12010	BOLT CARRIAGE, 3/8 X 1 G5
20	3	YSPN64005	SCREW PAN HEAD, #10-24 X 5/8
21	2	YWFL12010	WASHER FLAT, 3/8 G8
22	1	84444	SHIELD SHIM, 0.25, POLY
23	10	YNNY64006	NUT, HEX, 10-32 SS
24	2	YNNY62005	NUT HEX, NYLON INSERT LOCKNUT, 8
25	3	YNNY64005	NUT HEX, NYLON INSERT LOCKNUT, #10
26	17	YNFG12006	NUT FLANGE, 3/8 GF
27	4	YNFG10005	NUT FLANGE, 5/16 GF
28	1	S522	MANUAL HOLDER

# **FIGURE 3** **FLYWHEEL AND COMPONENTS**



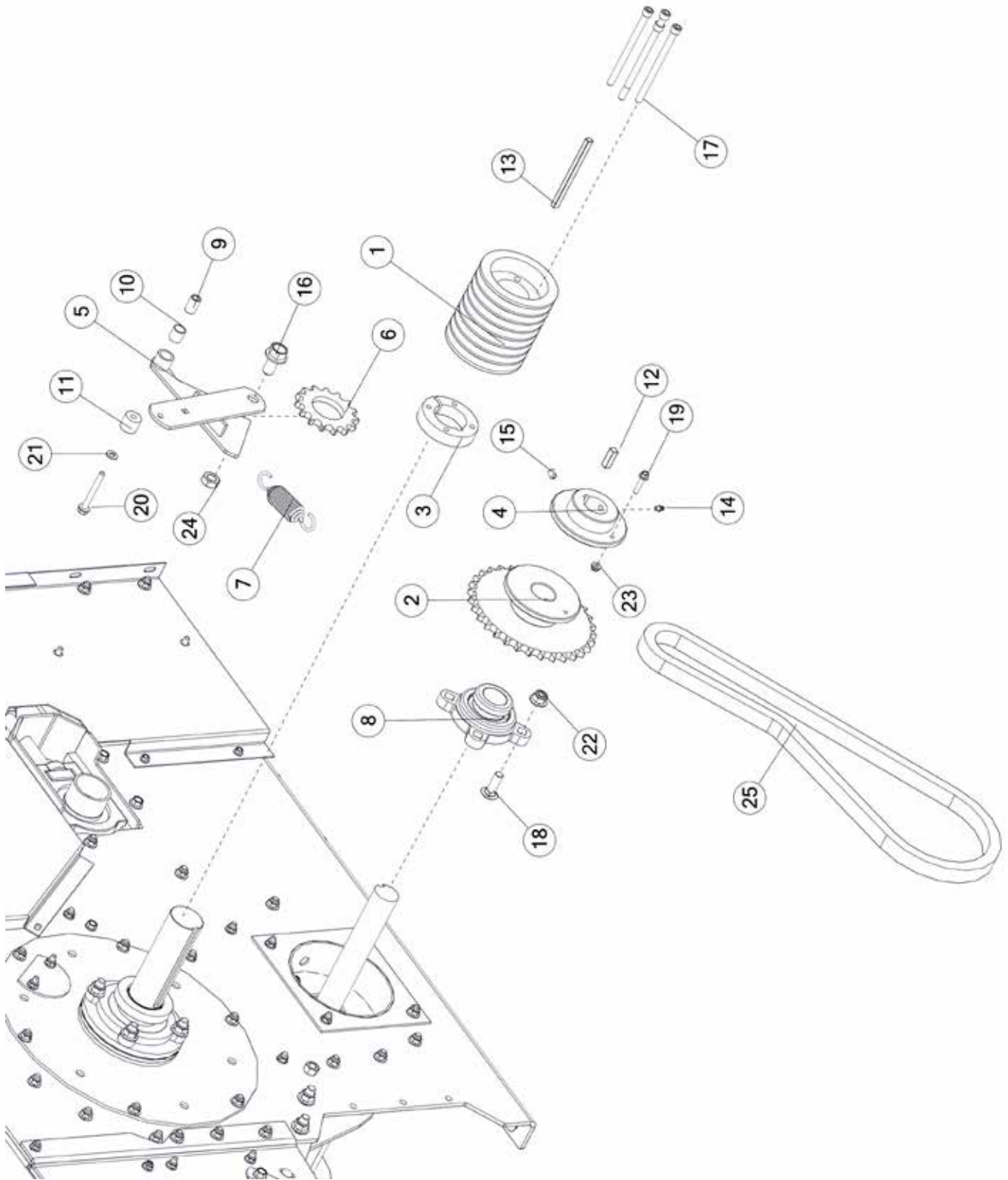


## FIGURE 3

### FLYWHEEL AND COMPONENTS

<u>ITEM</u>	<u>QTY</u>	<u>PART#</u>	<u>DESCRIPTION</u>
1	1	GM41	FLYWHEEL
2	1	GM129	V BELT
3	1	80793	MAIN DRIVE SHAFT
4	1	GM113	FLYWHEEL CLUTCH
5	1	GM111	CLUTCH PIN
6	1	GM411	SPRING
7	1	GM423	FLYWHEEL CLUTCH BRACKET
8	1	GM110	CLUTCH HANDLE
9	4	GM109	BEARING SHIM
10	1	GM108	SNAP RING
11	1	GM112	SEAL
12	1	GM105	SEAL
13	2	GM106	BEARING, OUTER
14	2	GM107	RACE
15	1	YBHH16046	BOLT HEX, 1/2-20 X 1-1/4 G5 ZC
16	1	YBFB10002	BOLT FLANGE, 5/16 X 1/2 G5
17	1	YPEX08010	EXPANSION PIN, 1/4 X 1-1/4
18	1	GM415	INPUT YOKE WASHER

# **FIGURE 4** **ROLLER CHAIN AND COMPONENTS**

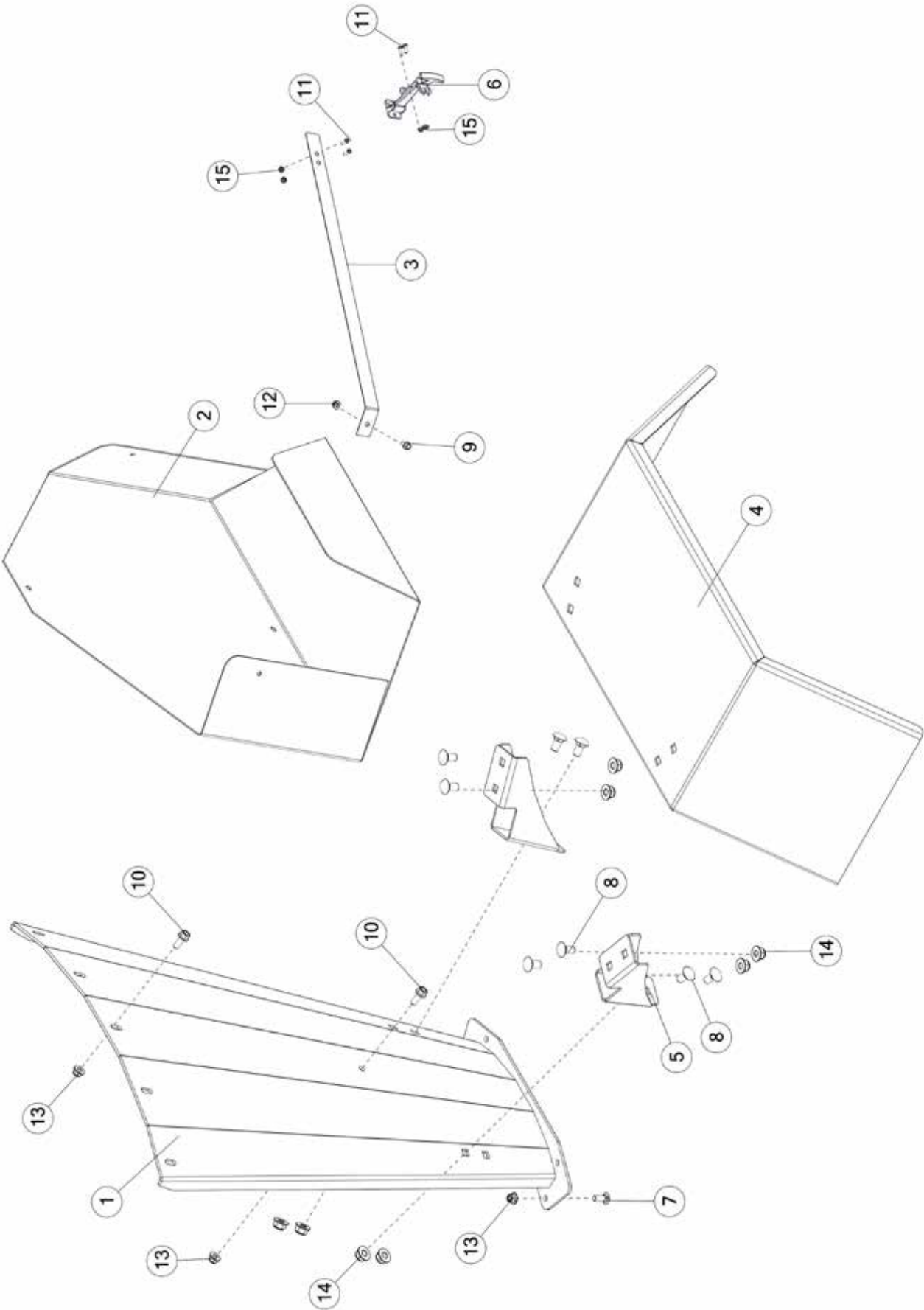


## FIGURE 4

### ROLLER CHAIN AND COMPONENTS

<u>ITEM</u>	<u>QTY</u>	<u>PART#</u>	<u>DESCRIPTION</u>
1	1	79213	MILL SHEAVE 540 RPM
2	1	87393	SINGLE SPROCKET, 32
3	1	79196	SPLIT BUSHING, TAPER LOCK
4	1	87390	BACK SHEAR HUB
5	1	GM253	AUGER TENSIONER
6	1	GM251	MAIN DRIVE IDLER
7	1	GM410	EXTENSION SPRING
8	1	78670	BALL BEARING, 1-1/2
9	1	GM299	TENSIONER PIVOT
10	1	GM296	IDLER PIVOT BUSHING, 3/4OD X 5/8ID X 3/4
11	1	84210	SPACER, 0.875, TENSIONER
12	1	68856	SQUARE KEY, 3/8 X 1-1/4
13	1	84289	RECT KEY, 3/8 X 5/16 X 5-1/4
14	1	G89	STRAIGHT ZERK 1/4-28 X 90
15	1	YSSO12005	SCREW SET, SOCKET, 3/8 X 1/2
16	1	YBFB20125	BOLT FLANGE, 5/8 X 1-1/4 G5
17	4	YSHS12550	BOLT SOCKET, 3/8-16 X5-1/2 G8 BO
18	4	YBCR16010	BOLT CARRIAGE, 1/2 X 1-1/2 G5
19	1	YBFB08125	BOLT FLANGE, 1/4 X 1-1/4 G5
20	1	YBFB10275	BOLT FLANGE, 5/16 X 2-3/4 G5
21	1	YWFL10010	WASHER FLAT, 5/16 G8
22	4	YNFG16003	NUT FLANGE, 1/2 GF
23	1	YNFG08010	NUT FLANGE, 1/4 GF
24	1	YNJM20005	NUT JAM, 5/8 A
25	1	84428	ROLLER CHAIN, 60 X 74

**FIGURE 5**  
**FENDER AND TANK SUPPORT RH**

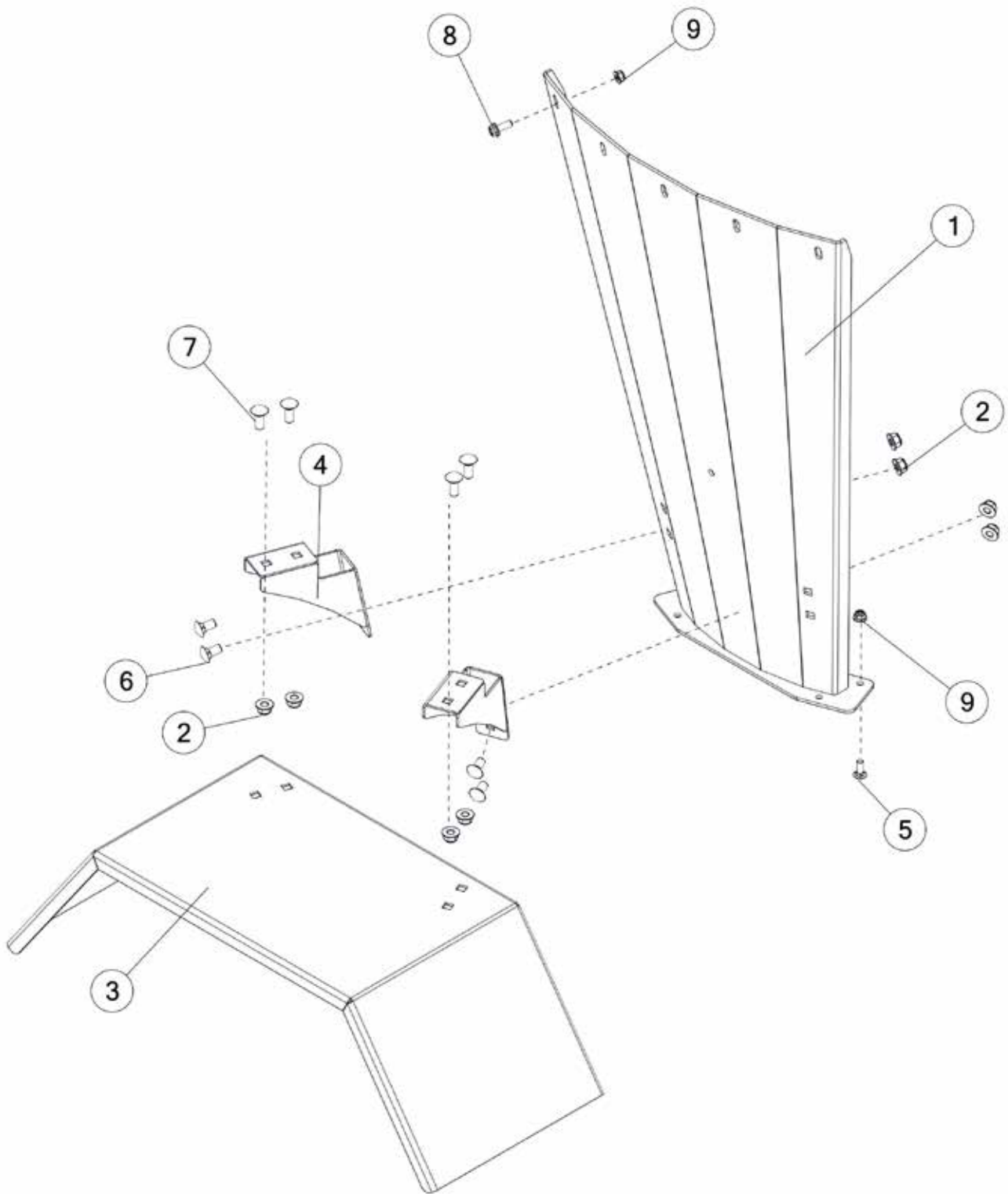


## FIGURE 5

### FENDER AND TANK SUPPORT RH

<u>ITEM</u>	<u>QTY</u>	<u>PART#</u>	<u>DESCRIPTION</u>
1	1	GM76	TANK SIDE SUPPORT
2	1	GM398	SCREEN HOLDER
3	1	GM399	SCREEN HOLDER STRAP
4	1	GM333	FENDER
5	2	85662	FENDER SUPPORT BRKT
6	1	X233	LATCH ASSEMBLY
7	7	YBCR12010	BOLT CARRIAGE, 3/8 X 1 G5
8	4	YBCR16005	BOLT CARRIAGE, 1/2 X 1 G5
9	1	YBFB08005	BOLT FLANGE, 1/4 X 1/2 G5
10	2	YBFB12003	BOLT FLANGE, 3/8 X 1 G5 ZC
11	4	YSPP62005	PAN HEAD PHILLIPS, #8 X 1/2
12	1	YNFG08010	NUT FLANGE , 1/4 GF
13	9	YNFG12006	NUT FLANGE, 3/8 GF
14	8	YNFG16003	NUT FLANGE, 1/2 GF
15	4	YNNY62005	NUT HEX, NYLON INSERT LOCKNUT, 8

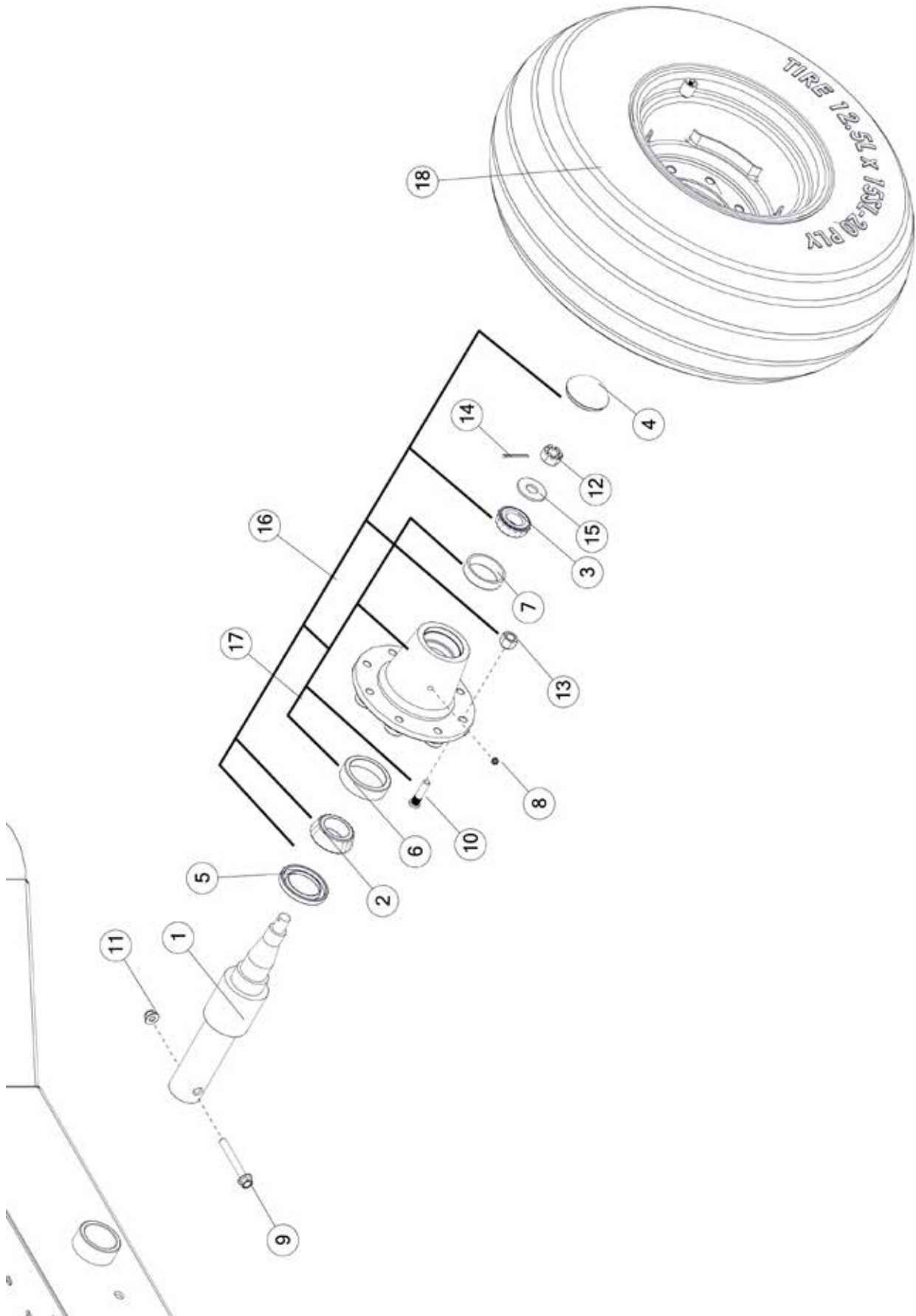
**FIGURE 6**  
**FENDER AND TANK SUPPORT LH**



**FIGURE 6**  
**FENDER AND TANK SUPPORT LH**

<b><u>ITEM</u></b>	<b><u>QTY</u></b>	<b><u>PART#</u></b>	<b><u>DESCRIPTION</u></b>
1	1	GM76	TANK SIDE SUPPORT
2	8	YNFG16003	NUT FLANGE, 1/2 GF
3	1	GM333	FENDER
4	2	85662	FENDER SUPPORT BRACKET
5	7	YBCR12010	BOLT CARRIAGE, 3/8 X 1 G5
6	4	YBCR16005	BOLT CARRIAGE, 1/2 X 1 G5
7	4	YBCR16015	BOLT CARRIAGE, 1/2 X 1-1/4 G5
8	5	YBFB12003	BOLT FLANGE, 3/8 X 1 G5 ZC
9	14	YNFG12006	NUT FLANGE, 3/8 GF

# FIGURE 7 WHEEL AND HUB ASSEMBLY



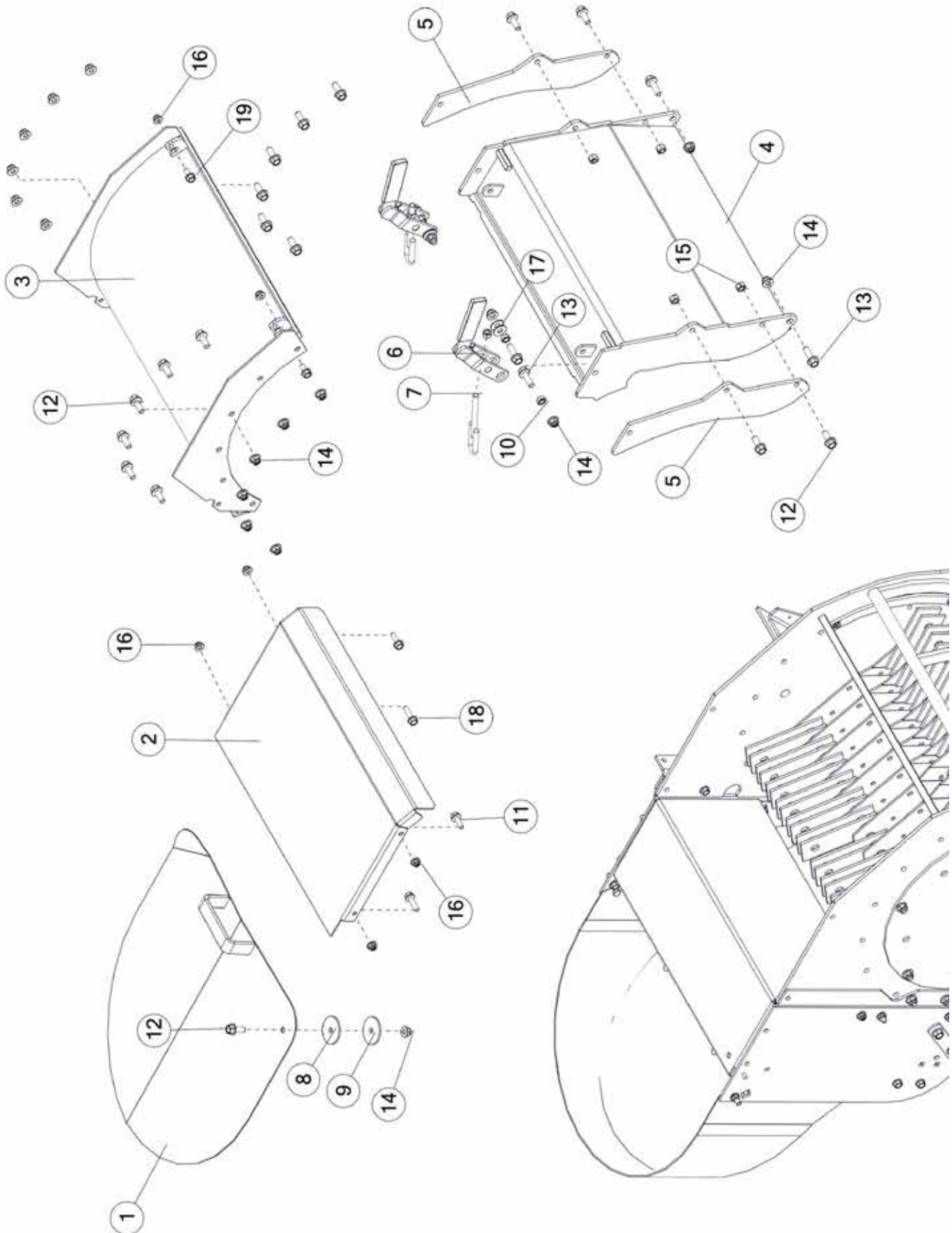


## FIGURE 7

### WHEEL AND HUB ASSEMBLY

<u>ITEM</u>	<u>QTY</u>	<u>PART#</u>	<u>DESCRIPTION</u>
1	1	GM402	SPINDLE LOAD CELL
2	1	53461	INNER BEARING
3	1	53462	OUTER BEARING
4	1	B2	HUB CAP
5	1	B90	GREASE SEAL
6	1	B91A	INNER RACE
7	1	B94A	OUTER RACE
8	1	BFR28	GREASE ZERK, 1/8 NPT
9	1	YBFB16400	BOLT FLANGE, 1/2 X 4 G5
10	8	YBSD20010	BOLT STUD, 5/8 X 2-1/2 G8
11	1	YNFG16003	NUT FLANGE, 1/2 GF
12	1	YNL28005	NUT HEX, SLOTTED, 7/8 G2
13	8	YNWL20005	NUT WHEEL, 5/8 G5
14	1	YPCT05020	COTTER PIN, 5/32 X 1-1/2
15	1	YWFL28005	WASHER FLAT, 7/8
16	1	16SV398	821 HUB WITH TIMKEN BEARINGS
17	1	53403	HUB WITH RACES OUTER
18	1	78227	TIRE 12.5L-15 ON WHEEL 15 X 10

# FIGURE 8 INFEED COVER AND COMPONENTS

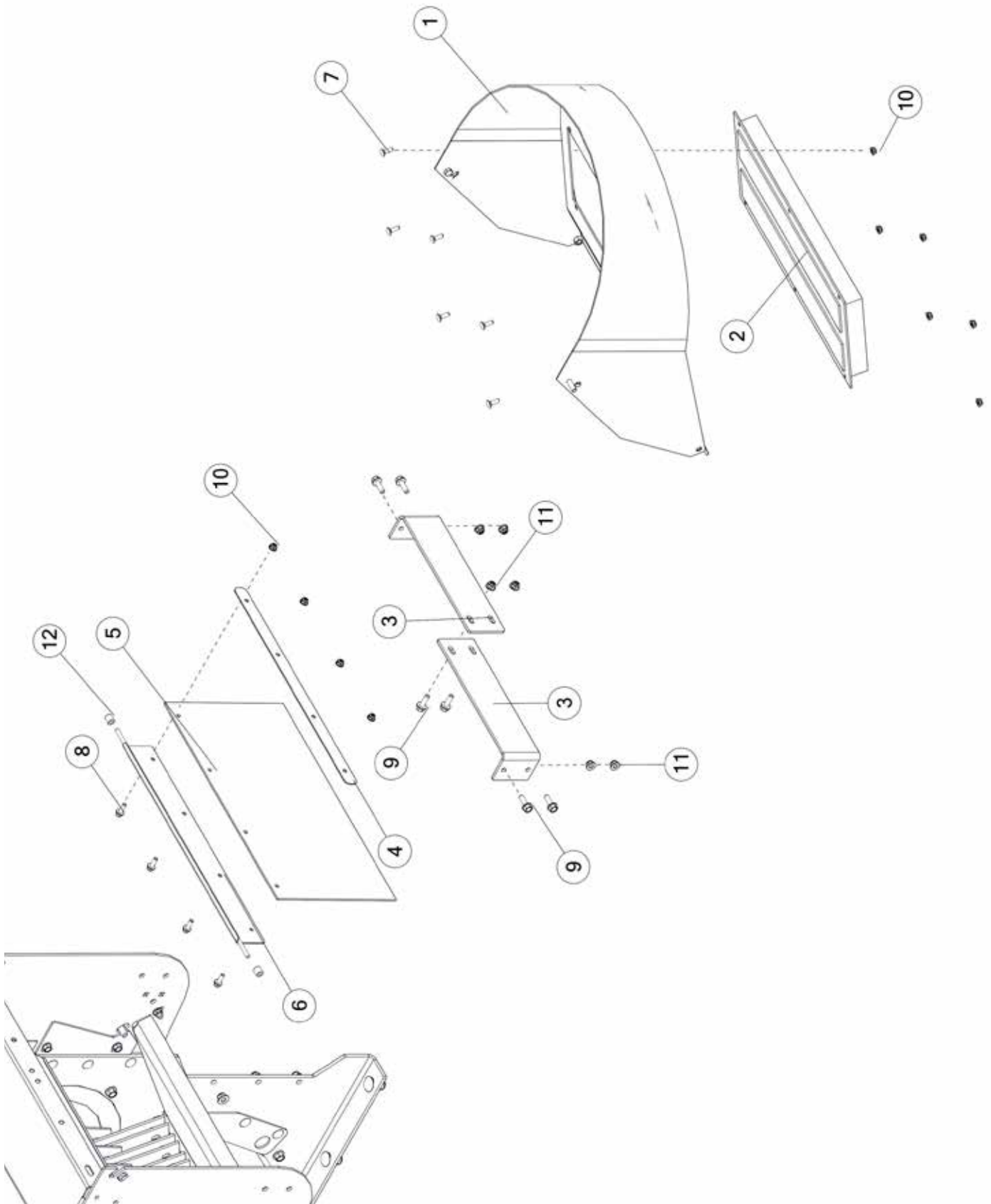


## FIGURE 8

### INFEED COVER AND COMPONENTS

<u>ITEM</u>	<u>QTY</u>	<u>PART#</u>	<u>DESCRIPTION</u>
1	1	GM358	INFEED CHUTE COVER
2	1	GM366	CHUTE MID SHIELD
3	1	GM146	GRINDER TOP
4	1	59673	DOOR TABBED
5	2	59590	DOOR SIDE PANEL DUST STOP
6	2	GM140	DOOR LATCH
7	2	GM166	DOOR HOOK
8	1	60718	WASHER, SHIELD PIVOT
9	1	YWCU99005	WASHER, CUSTOM, FENDER 3/8 X 2OD
10	4	GM180	DOOR PIVOT
11	2	YBFB10001	BOLT FLANGE, 5/16 X 1 G5
12	17	YBFB12003	BOLT FLANGE, 3/8 X 1 G5 ZC
13	6	YBFB12125	BOLT FLANGE, 3/8 X 1-1/4 G5
14	19	YNFG12006	NUT FLANGE, 3/8 GF
15	4	YNTL12005	NUT HEX, TOP LOCK, 3/8
16	6	YNFG10005	NUT FLANGE, 5/16 GF
17	4	YWFL12005	WASHER FLAT , 3/8 G5
18	2	YBFB10125	BOLT FLANGE, 5/16 X 1-1/4 G5
19	2	YBFB10075	BOLT FLANGE, 5/16 X 3/4 G5

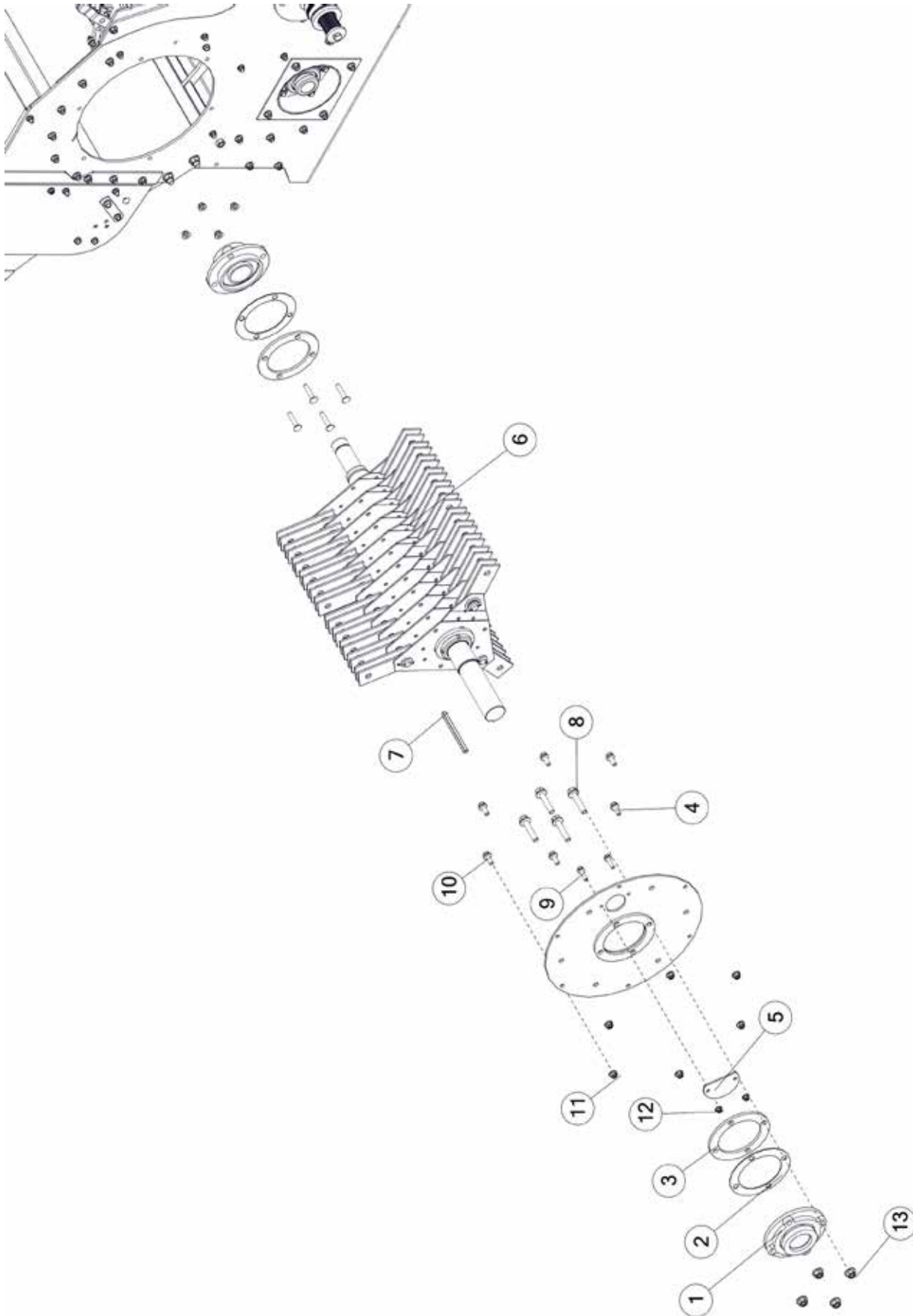
# **FIGURE 9** **INFEED CHUTE AND COMPONENTS**



**FIGURE 9**  
**INFEED CHUTE AND COMPONENTS**

<u>ITEM</u>	<u>QTY</u>	<u>PART#</u>	<u>DESCRIPTION</u>
1	1	85837	INFEED CHUTE
2	1	GM352	CHUTE MAGNET
3	2	GM365	CHUTE BRACE
4	1	GM355	CHUTE FLAP CLAMP
5	1	85836	CHUTE COVER
6	1	81047	FLAP
7	6	YBCR08040	BOLT CARRIAGE, 1/4 X 3/4 G5
8	4	YBFB08075	BOLT FLANGE, 1/4 X 3/4 G5
9	6	YBFB10001	BOLT FLANGE, 5/16 X 1 G5
10	10	YNFG08010	NUT FLANGE , 1/4 GF
11	6	YNFG10005	NUT FLANGE, 5/16 GF
12	2	GM525	CHUTE FLAP SPACER

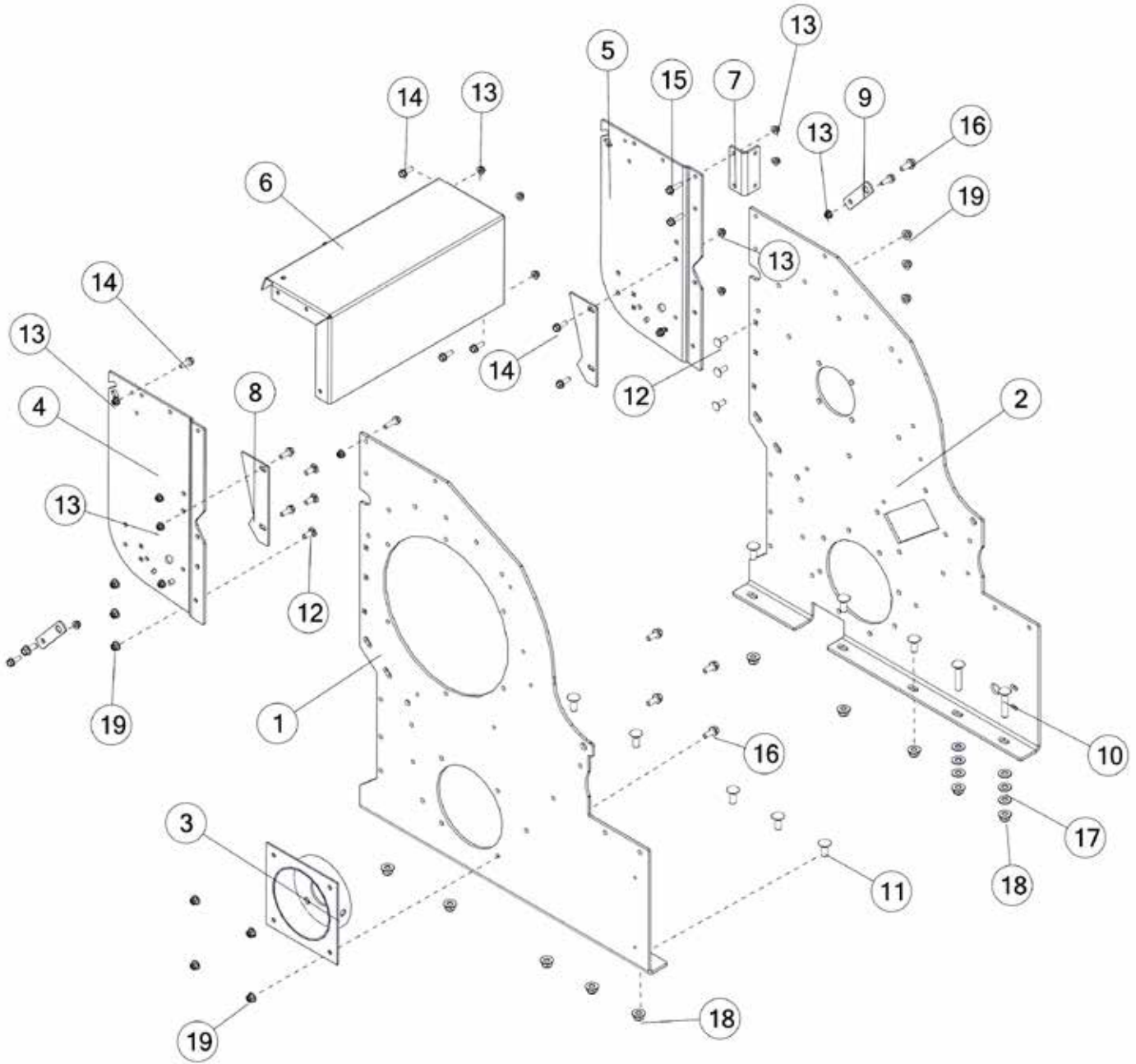
**FIGURE 10**  
**HAMMERMILL AND COMPONENTS**



**FIGURE 10**  
**HAMMERMILL AND COMPONENTS**

<b><u>ITEM</u></b>	<b><u>QTY</u></b>	<b><u>PART#</u></b>	<b><u>DESCRIPTION</u></b>
1	1	80652	FLANGED BEARING, 2.19
2	1	80756	SHIM, .06
3	1	80658	SHIM, 1/4
4	1	80787	CYLINDER COVER
5	1	GM457	SERVICE PORT COVER
6	1	80784	HAMMER MILL ASSEMBLY
7	1	84289	RECTANGLE KEY, 3/8 X 5/16 X 5-1/4
8	4	YBFB16250	BOLT FLANGE, 1/2 X 2-1/2 G5
9	2	YBFB10125	BOLT FLANGE, 5/16 X 1-1/4 G5
10	6	YBFB12003	BOLT FLANGE, 3/8 X 1 G5 ZC
11	6	YNFG12006	NUT FLANGE, 3/8 GF
12	2	YNFG10005	NUT FLANGE, 5/16 GF
13	4	YNFG16003	NUT FLANGE, 1/2 GF

# FIGURE 11 HAMMERMILL PANELS



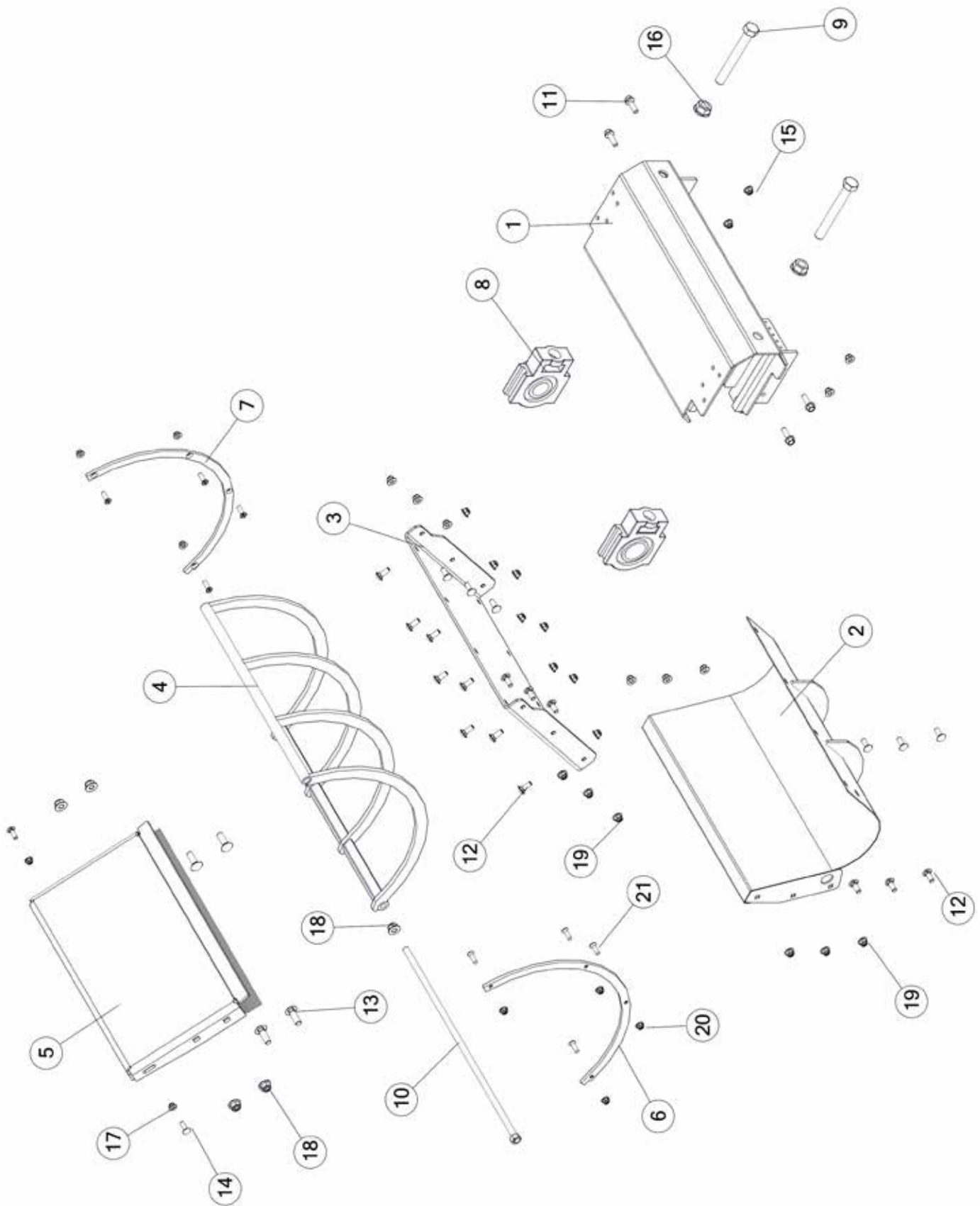


## FIGURE 11

### HAMMERMILL PANELS

<u>ITEM</u>	<u>QTY</u>	<u>PART#</u>	<u>DESCRIPTION</u>
1	1	85700	MILL FRONT PANEL
2	1	85872	MILL REAR PANEL
3	1	73685	BEARING BRACKET, TRANSFER
4	1	85819	THROAT RH
5	1	85834	THROAT LH
6	1	85811	CHUTE TOP SHIELD
7	1	84179	SCALE BRACKET
8	2	GM433	CHUTE STOP
9	2	GM362	CHUTE ADJUSTMENT BAR
10	3	YBCR16030	BOLT CARRIAGE, 1/2 X 2-1/2 G5
11	8	YBCR16015	BOLT CARRIAGE, 1/2 X 1-1/4 G5
12	3	YBCR12010	BOLT CARRIAGE, 3/8 X 1 G5
13	13	YNFG10005	NUT FLANGE, 5/16 GF
14	9	YBFB10001	BOLT FLANGE, 5/16 X 1 G5
15	2	YBFB10125	BOLT FLANGE, 5/16 X 1-1/4 G5
16	4	YBFB12003	BOLT FLANGE, 3/8 X 1 G5 ZC
17	6	YWFL16015	WASHER FLAT, 1/2 G8
18	10	YNFG16003	NUT FLANGE, 1/2 GF
19	6	YNFG12006	NUT FLANGE, 3/8 GF

# **FIGURE 12** **SCREEN HOLDER AND COMPONENTS**

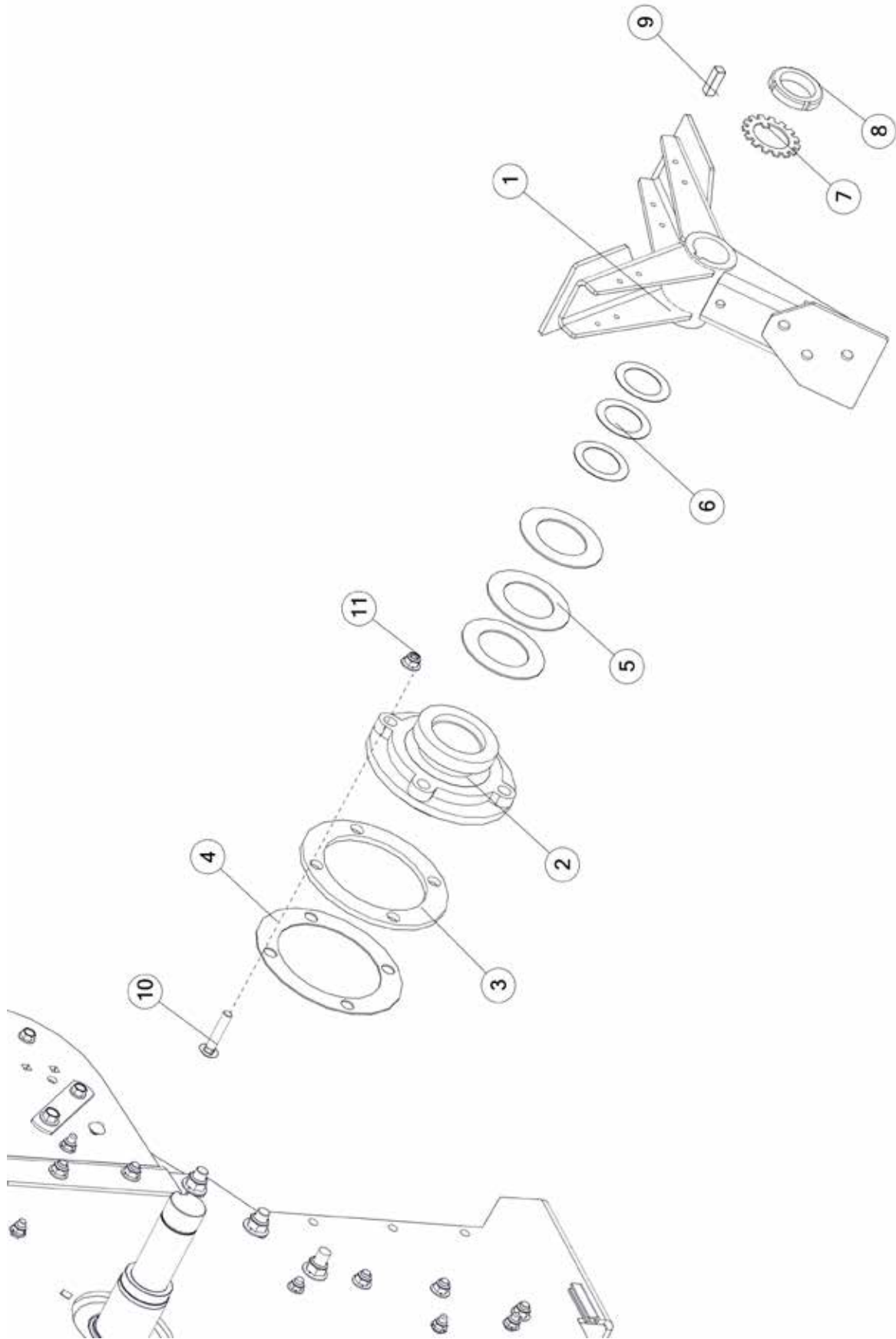


## FIGURE 12

### SCREEN HOLDER AND COMPONENTS

<u>ITEM</u>	<u>QTY</u>	<u>PART#</u>	<u>DESCRIPTION</u>
1	1	85809	DRIVE SHAFT CARRIER
2	1	85791	STEEL PANEL, BOTTOM
3	1	85930	SIDE PANEL
4	1	GM136	SCREEN HOLDER
5	1	GM145	THROAT PLATE
6	1	GM137	GUIDE SCREEN, FRONT
7	1	GM138	GUIDE SCREEN, REAR
8	2	GM413	BEARING
9	2	YBHH24091	BOLT HEX, FT, 3/4-10 X 6 G5 ZC
10	1	GM135	MILL LONG BOLT
11	4	YBFB12125	BOLT FLANGE, 3/8 X 1-1/4 G5
12	14	YBCR12010	BOLT CARRIAGE, 3/8 X 1 G5
13	4	YBCR16010	BOLT CARRIAGE, 1/2 X 1-1/2 G5
14	2	YBCR10010	BOLT CARRIAGE, 5/16 X 1 G5
15	4	YNFG12006	NUT FLANGE, 3/8 GF
16	2	16SV64	NUT FLANGE, 3/4
17	2	YNFG10005	NUT FLANGE, 5/16 GF
18	4	YNFG16003	NUT FLANGE, 1/2 GF
19	20	YNFG12006	NUT FLANGE, 3/8 GF
20	8	YNFG10005	NUT FLANGE, 5/16 GF
21	8	YSFM10005	SCREW FLAT HEAD MACH, 5/16-18 X 1

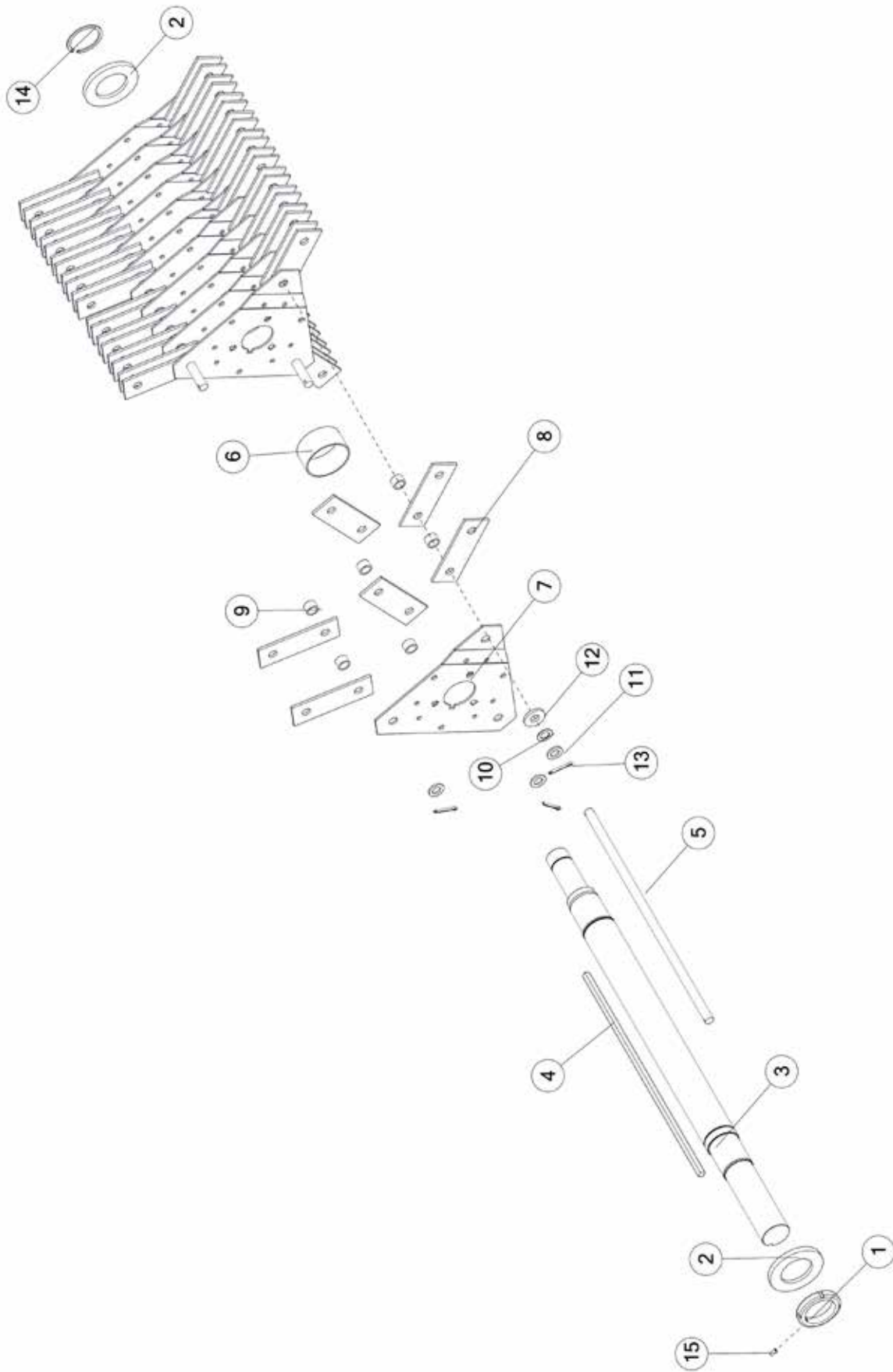
# **FIGURE 13** **FAN BLOWER AND COMPONENTS**



**FIGURE 13**  
**FAN BLOWER AND COMPONENTS**

<u>ITEM</u>	<u>QTY</u>	<u>PART#</u>	<u>DESCRIPTION</u>
1	1	84818	BLOWER FAN
2	1	80652	FLANGED BEARING, 2.19
3	1	80658	SHIM, 1/4
4	1	80756	SHIM, .06
5	3	GM449	BEARING SPACER
6	3	GM448	FAN SPACER
7	1	GM431	LOCKING WASHER
8	1	GM151	LOCK NUT
9	1	GM462	KEY, 3/8 X 2-1/2
10	4	YBCR12035	BOLT CARRIAGE, 3/8 X 2 G5
11	4	YNFG12006	NUT FLANGE, 3/8 GF

# FIGURE 14 HAMMERMILL ASSEMBLY

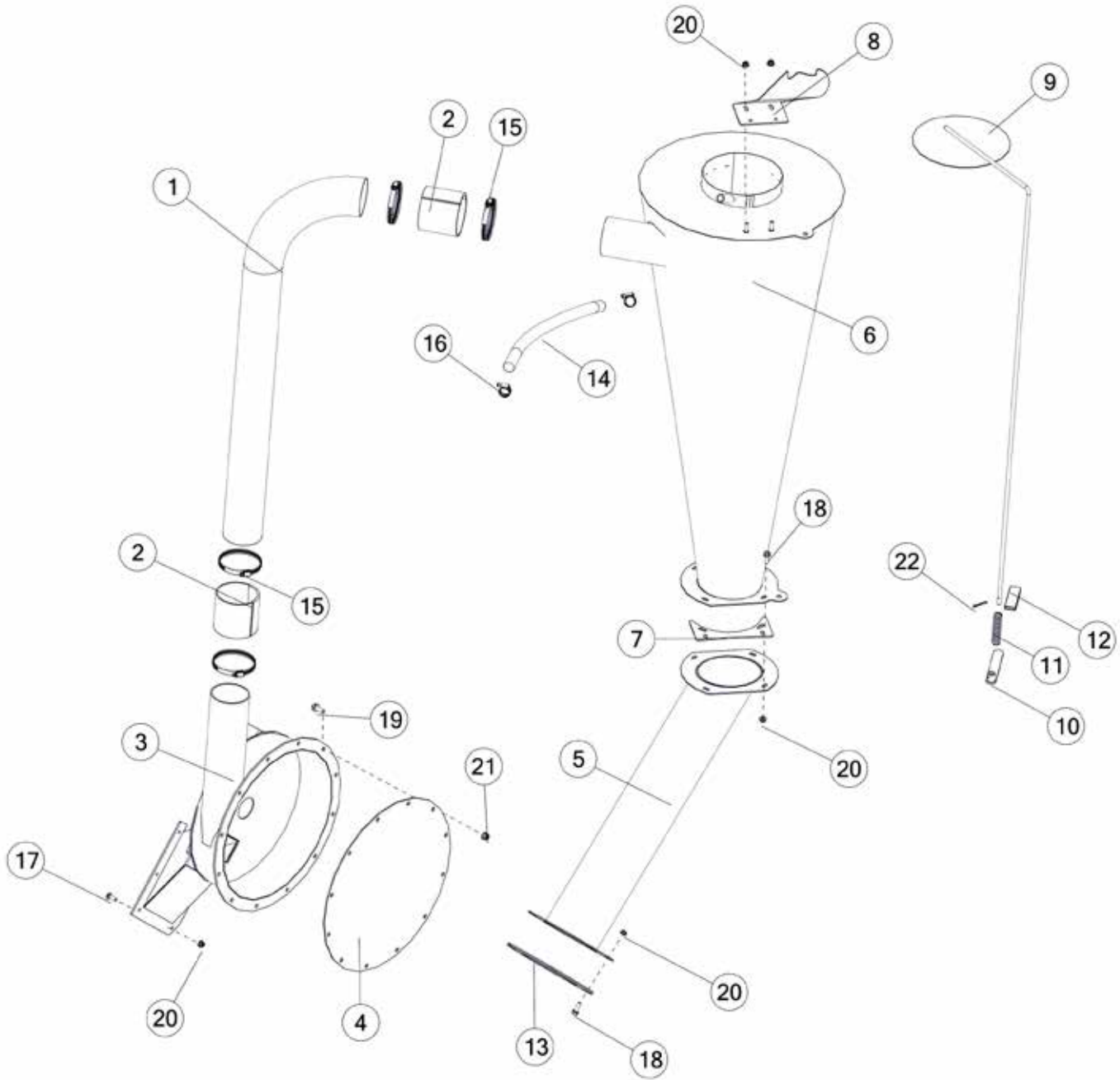


## FIGURE 14

### HAMMERMILL ASSEMBLY

<u>ITEM</u>	<u>QTY</u>	<u>PART#</u>	<u>DESCRIPTION</u>
1	1	GM176	CYLINDER SHAFT NUT
2	2	GM171	RETAINER PLATE
3	1	80656	MILL SHAFT
4	1	GM169	SQUARE KEY, 3/8 X 19-3/8
5	3	GM44	SHAFT, HAMMER
6	11	GM177	SPACER PLATE
7	12	GM172	CYLINDER PLATE
8	36	GM175	HAMMER
9	36	GM174	HAMMER SPACER
10	2	GM576	MILL ROD SHIM
11	6	GM173	SPACER
12	2	GM430	BALANCE WASHER, 4 PCS
13	6	YPCT06010	COTTER PIN, 3/16 X 1-1/4
14	1	GM465	RETAINING RING
15	1	YSKP08010	SCREW SET, SOCKET, KNURLED CUP PT, 1/4 X 1/2

# **FIGURE 15** **BLOWER COMPONENTS**



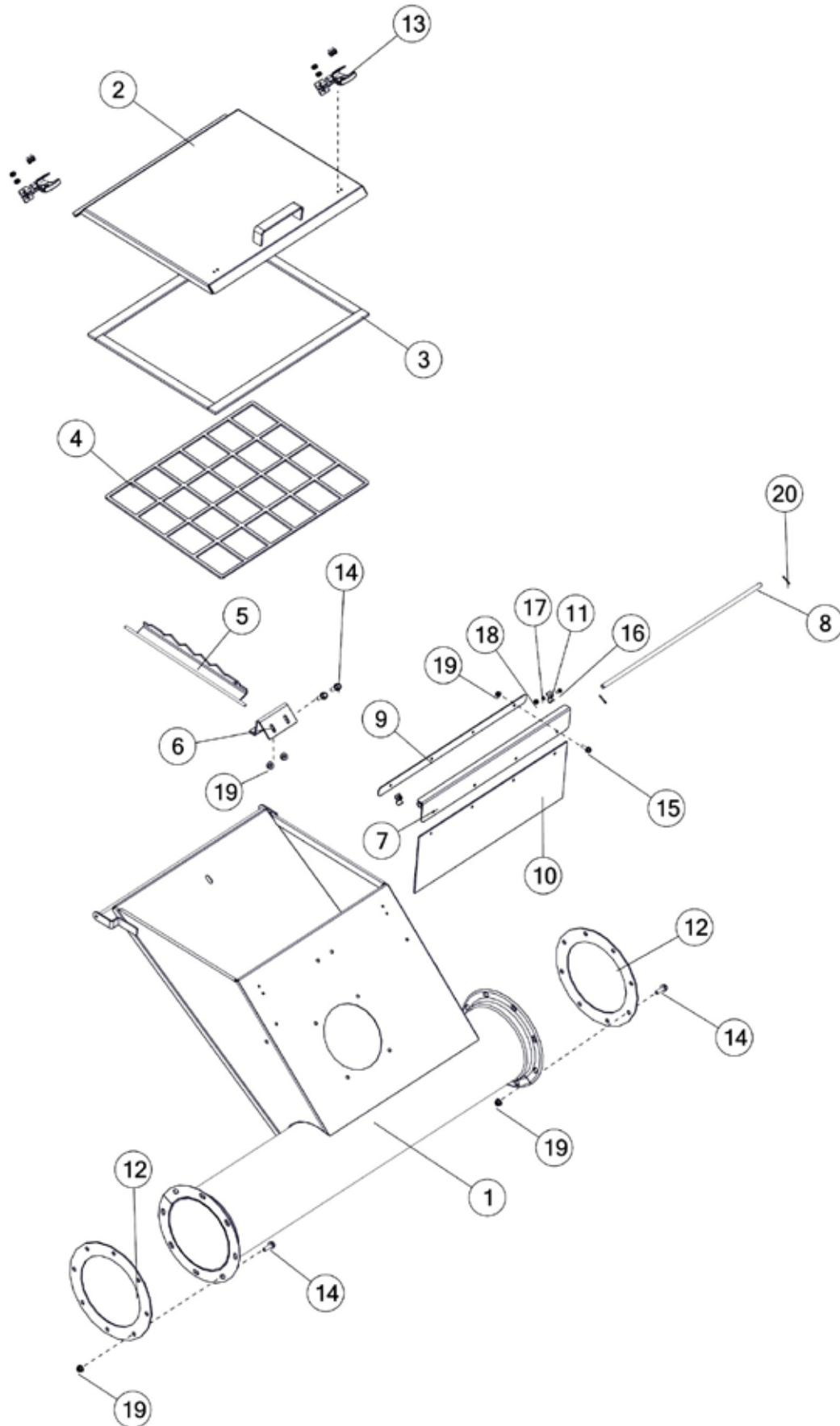


## FIGURE 15

### BLOWER COMPONENTS

<u>ITEM</u>	<u>QTY</u>	<u>PART#</u>	<u>DESCRIPTION</u>
1	1	84013	AIR TUBE, ELBOW
2	1	77768	SEAL
3	1	80799	BLOWER ASSEMBLY
4	1	78602	BLOWER COVER, REAR
5	1	84367	AIR TUBE
6	1	80392	DUST COLLECTOR
7	1	GM460	ADJUSTABLE SUPPORT BOTTOM
8	1	GM368	ADJUSTABLE MOUNT PLATE
9	1	GM82	DUST COLLECTOR COVER
10	1	GM84	COVER HANDLE
11	1	17G128	COIL SPRING
12	1	GM370	HANDLE GRIP
13	1	84377	DUST COLLECTOR POLY SHIM, 0.13
14	1	84001	AIR HOSE, 12 X 19
15	2	77919	WORM GEAR CLAMP, 2-1/2 - 4-1/2 DIA
16	2	HGV75	HOSE CLAMP, 1
17	6	YBCR10010	BOLT CARRIAGE, 5/16 X 1 G5
18	8	YBFB10001	BOLT FLANGE, 5/16 X 1 G5
19	12	YBFB12003	BOLT FLANGE, 3/8 X 1 G5 ZC
20	16	YNFG10005	NUT FLANGE, 5/16 GF
21	12	YNFG12006	NUT FLANGE, 3/8 GF
22	1	YPCT05010	COTTER PIN, 5/32 X 1-1/2

# FIGURE 16 HOUSING SUPPLEMENT HOPPER AND COMPONENTS

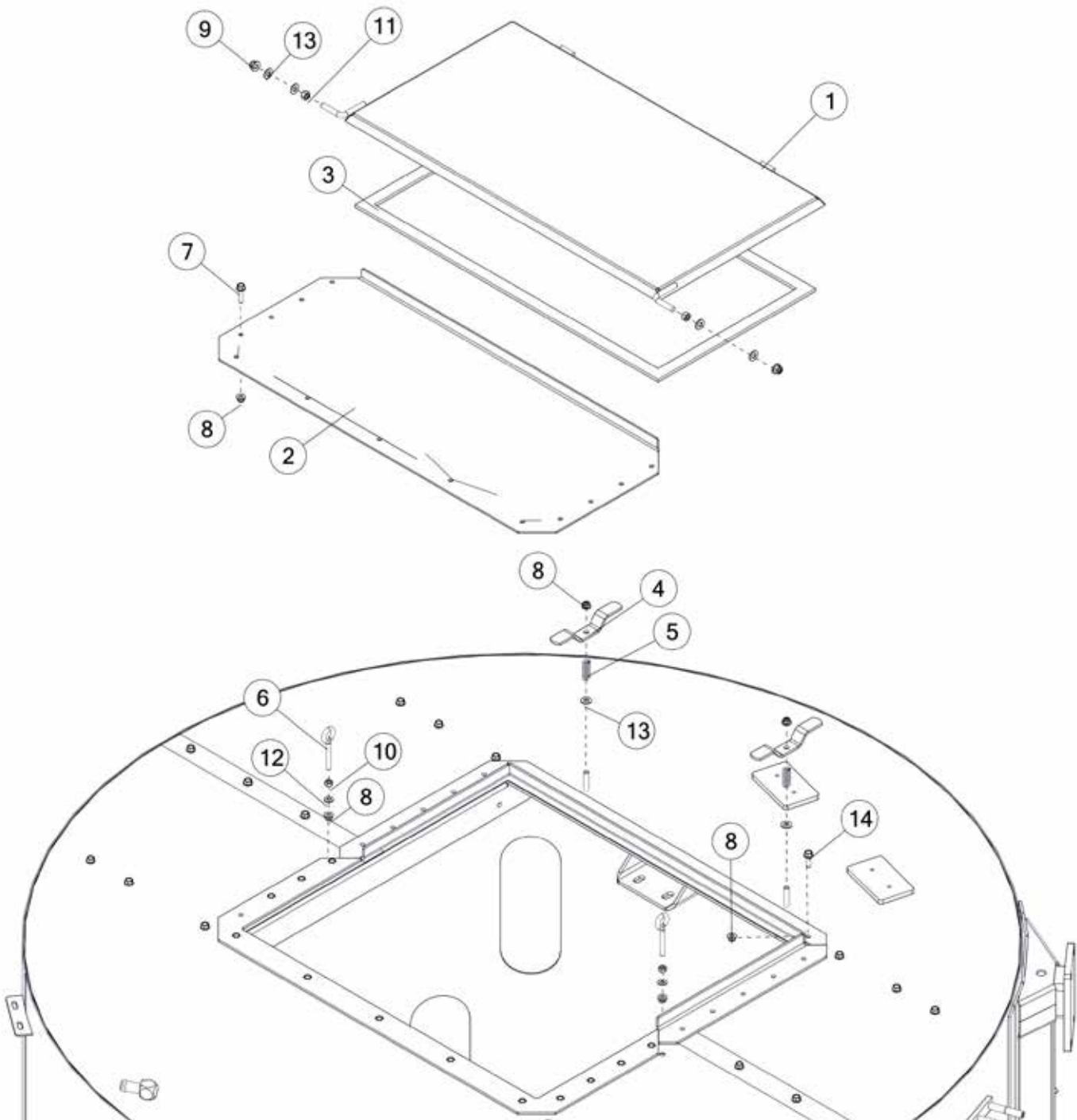


## FIGURE 16

### HOUSING SUPPLEMENT HOPPER AND COMPONENTS

<u>ITEM</u>	<u>QTY</u>	<u>PART#</u>	<u>DESCRIPTION</u>
1	1	85584	HOUSING, SUPPLEMENT HOPPER
2	1	85709	HOPPER COVER WELDMENT
3	1	79631	GASKET, SUPPLEMENT HOPPER
4	1	73901	SCREEN SUPPLEMENT HOPPER
5	1	GM93	BAG BREAKER
6	1	73751	SUPPORT BRACKET
7	1	86033	FLAP WELDMENT
8	1	85668	HINGE ROD
9	1	85669	CHUTE FLAP CLAMP
10	1	85670	CHUTE FLAP POLY
11	2	GM91	HOSE CLAMP
12	2	74281	SHIM
13	2	X233	LATCH ASSEMBLY
14	18	YBFB10001	BOLT FLANGE, 5/16 X 1 G5
15	4	YBFB08075	BOLT FLANGE, 1/4 X 3/4 G5
16	2	YSPP64005	SCREW PAN HEAD, #10-32 X 1/2
17	2	YWLO64005	WASHER, LOCK, #10
18	2	YNNY64006	NUT HEX, 10-32 SS
19	18	YNFG10005	NUT FLANGE, 5/16 GF
20	2	YPCT03010	COTTER PIN, 3/32 X 3/4

# **FIGURE 17** **TANK COVER AND COMPONENTS**

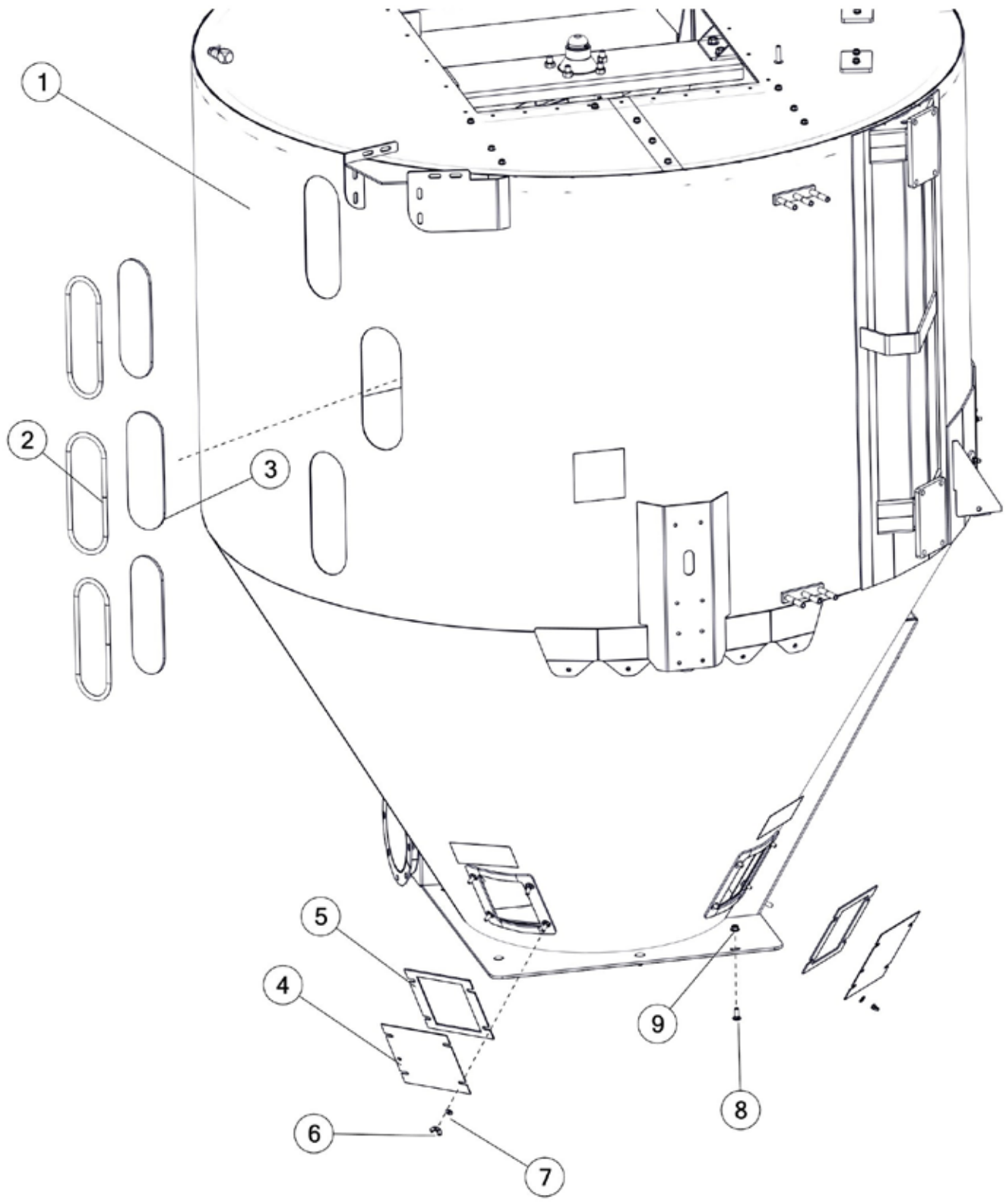


## FIGURE 17

### TANK COVER AND COMPONENTS

<u>ITEM</u>	<u>QTY</u>	<u>PART#</u>	<u>DESCRIPTION</u>
1	1	78498	COVER
2	1	81215	TANK COVER, FRONT
3	1	84195	GASKET, COVER
4	2	GM305	LATCH, COVER
5	2	GM309	SPRING
6	2	YBTE10015	BOLT TURNED EYE, 5/16 X 2-1/2
7	13	YBFB10125	BOLT FLANGE, 5/16 X 1-1/4 G5
8	27	YNFG10005	NUT FLANGE, 5/16 GF
9	2	YNFG12006	NUT FLANGE, 3/8 GF
10	1	YNHX10010	NUT HEX, 5/16 G5
11	2	YNHX12004	NUT HEX, 3/8 G2
12	2	YWFL10010	WASHER FLAT, 5/16 G8
13	4	YWFL12010	WASHER FLAT, 3/8 G8

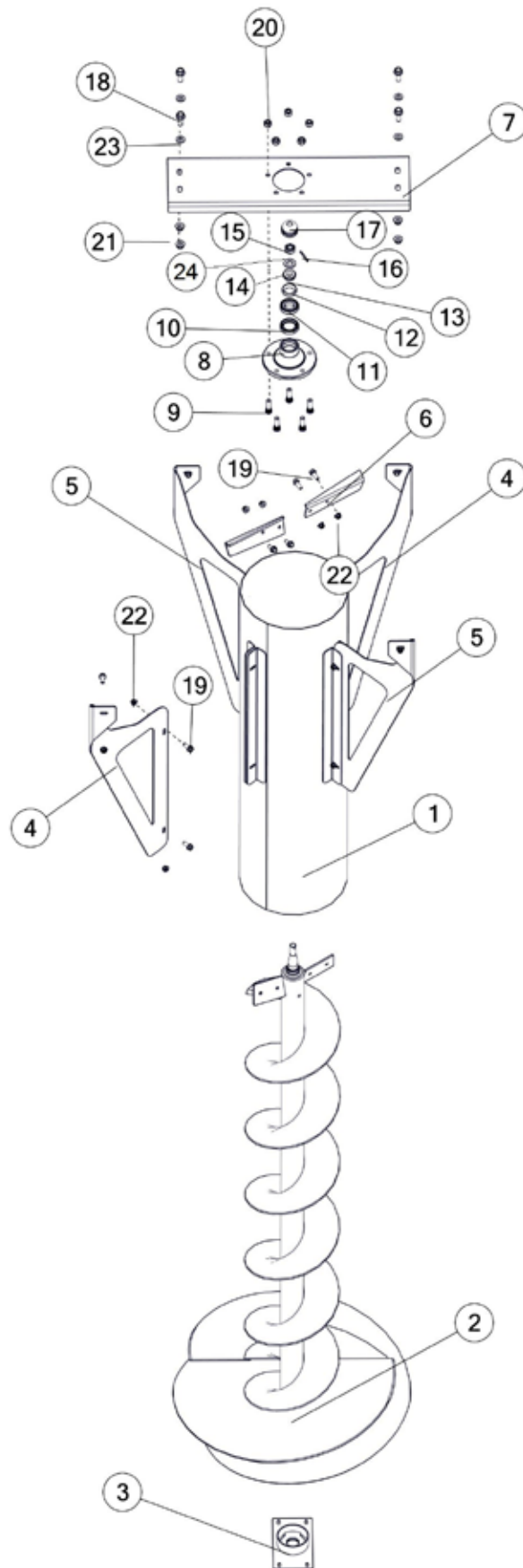
# **FIGURE 18** **TANK WINDOWS AND COMPONENTS**



**FIGURE 18**  
**TANK WINDOWS AND COMPONENTS**

<b><u>ITEM</u></b>	<b><u>QTY</u></b>	<b><u>PART#</u></b>	<b><u>DESCRIPTION</u></b>
1	1	85495	TANK
2	6	GM347	WINDOW GASKET
3	6	GM346	TOP SIGHT WINDOW
4	4	GM488	AUGER CLEAN OUT COVER
5	4	GM357	CLEAN OUT GASKET
6	16	YNWG10005	NUT WING, 5/16-18 NA ZC
7	16	YWFL10010	WASHER FLAT, 5/16 G8
8	3	YBCR12010	BOLT CARRIAGE, 3/8 X 1 G5
9	3	YNFG12006	NUT FLANGE, 3/8 GF

# **FIGURE 19** **MIXING AUGER AND COMPONENTS**



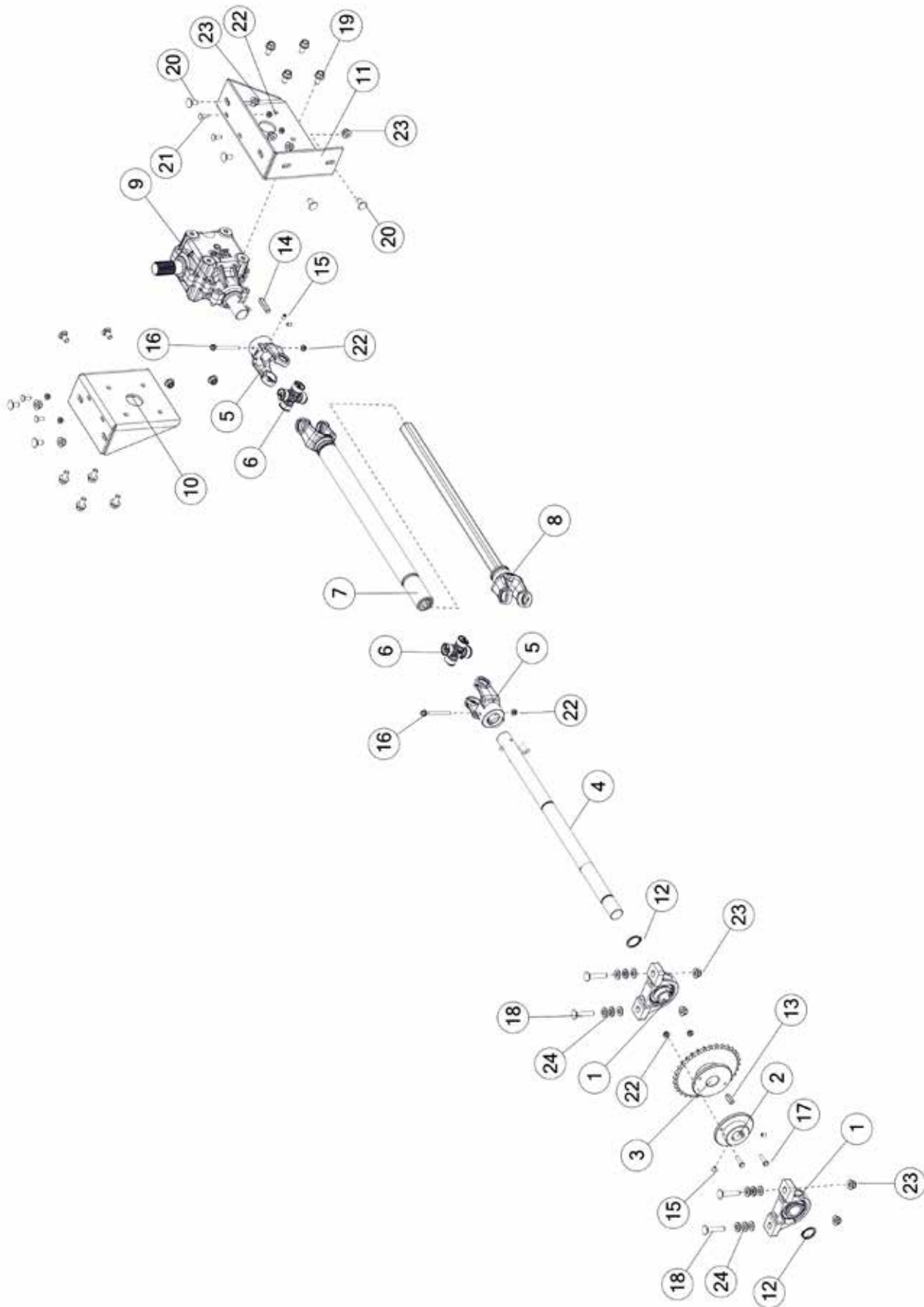


## FIGURE 19

### MIXING AUGER AND COMPONENTS

<u>ITEM</u>	<u>QTY</u>	<u>PART#</u>	<u>DESCRIPTION</u>
1	1	84971	MIXING AUGER TUBE
2	1	86436	MIXING AUGER
3	1	86245	STL PANEL, BOTTOM
4	2	86445	HANGER BRACKET
5	2	86444	HANGER BRACKET
6	2	86566	STEEL PANEL, BROADCAST
7	1	86420	HUB BRACKET
8	1	BFR60	HUB WITH RACES & STUDS
9	5	YBSD16005	BOLT STUD, 1/2 X 1-7/8 X 3/8 G5
10	1	60699	GREASE SEAL
11	1	17G145	TAPERED ROLLER BEARING
12	1	17G146	OUTER RACE
13	1	BFR62	OUTER BEARING
14	1	BFR61	OUTER RACE
15	1	YNSL24010	NUT HEX, SLOTTED, 3/4 G2
16	1	YPCT05010	COTTER PIN 5/32 X 1-1/2
17	1	BFR66	HUB CAP
18	4	YBFB16150	BOLT FLANGE, 1/2 X 1-1/2 G5
19	16	YBFB12003	BOLT FLANGE, 3/8 X 1 G5 ZC
20	5	YNWL16005	NUT WHEEL, 1/2 G5
21	4	YNFG16003	NUT FLANGE, 1/2 GF
22	16	YNFG12006	NUT FLANGE, 3/8 GF
23	4	YWFL16015	WASHER FLAT, 1/2 G8
24	1	YWFL24010	WASHER FLAT, 3/4

**FIGURE 20**  
**YOKE AND TUBE AND COMPONENTS**

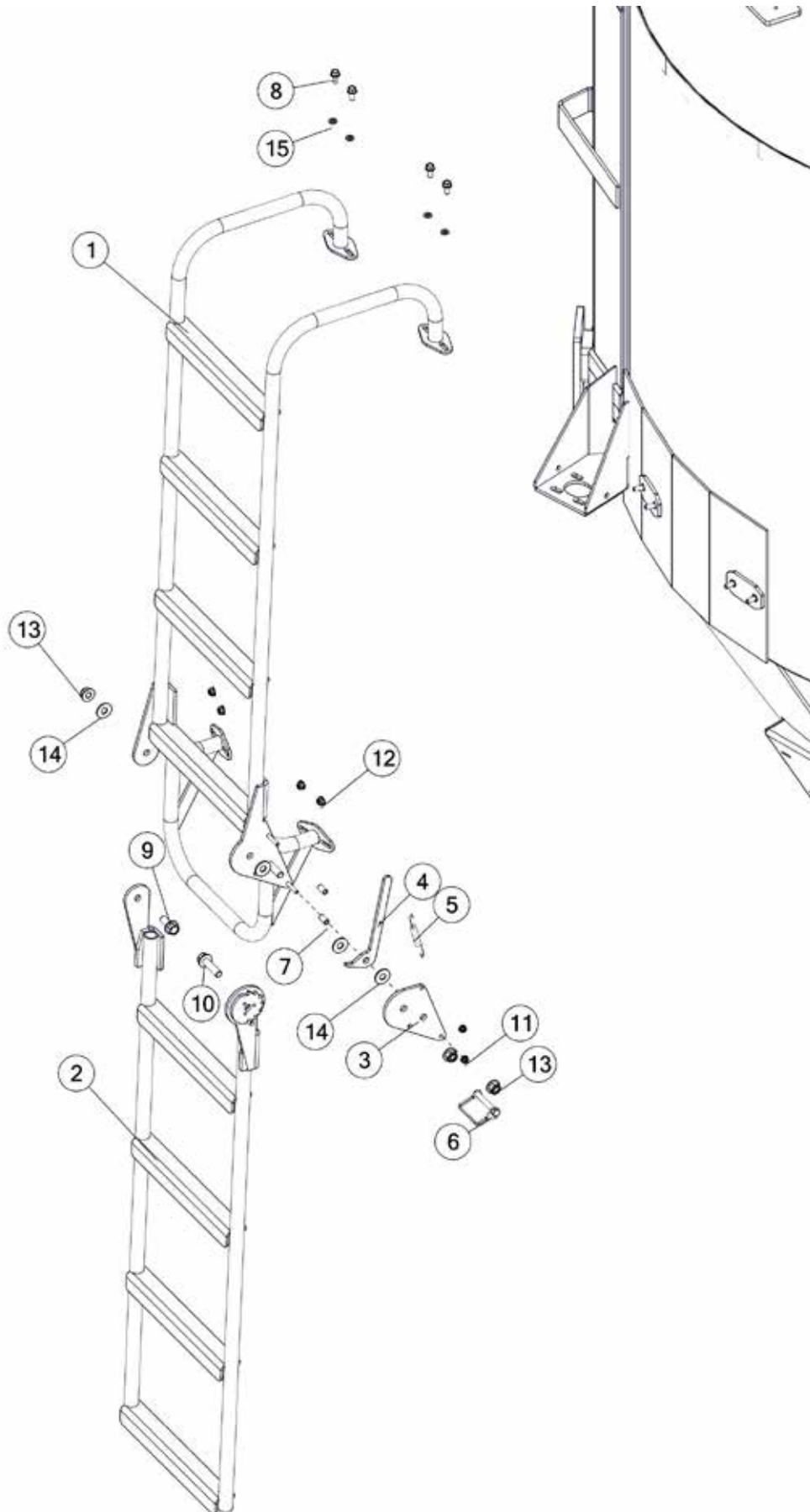


## FIGURE 20

### YOKE AND TUBE AND COMPONENTS

<u>ITEM</u>	<u>QTY</u>	<u>PART#</u>	<u>DESCRIPTION</u>
1	2	60659	PILLOW BLOCK BEARING
2	1	17G71	SHEAR HUB
3	1	84211	SINGLE SPROCKET, 32
4	1	87417	RND SHAFT, MIXING
5	2	82732	YOKE, IMPLEMENT, 1-1/2
6	2	16SV179	CROSS KIT, 35R
7	1	82738	YOKE, TUBE, SLIP SLEEVE
8	1	82744	YOKE AND SHAFT
9	1	86580	GEARBOX
10	1	74241	GEAR BRACKET RH
11	1	73713	GEAR BRACKET LH
12	2	12V62	SNAP RING, 1-1/2HD EXTERNAL
13	1	68856	SQUARE KEY, 3/8 X 1-1/4
14	1	PB87	SQUARE KEY, 3/8 X 2
15	4	YSSO12005	SCREW SET, SOCKET, 3/8 X 1/2
16	2	YBFB10350	BOLT FLANGE, 5/16 X 3-1/2 G8
17	2	YBHH10040	BOLT HEX, 5/16-18 X 1-1/4 G2 ZC
18	4	YBCR16030	BOLT CARRIAGE, 1/2 X 2-1/2 G5
19	8	YBFB16100	BOLT FLANGE, 1/2 X 1 G5
20	4	YBCR16005	BOLT CARRIAGE, 1/2 X 1 G5
21	8	YBCR10010	BOLT CARRIAGE, 5/16 X 1 G5
22	8	YNFG10005	NUT FLANGE, 5/16 GF
23	20	YNFG16003	NUT FLANGE, 1/2 GF
24	12	YWFL16015	WASHER FLAT, 1/2 G8

# **FIGURE 21** **LADDER AND COMPONENTS**



## FIGURE 21

### LADDER AND COMPONENTS

<u>ITEM</u>	<u>QTY</u>	<u>PART#</u>	<u>DESCRIPTION</u>
1	1	85484	TANK LADDER
2	1	85798	LOWER LADDER
3	1	86391	LADDER BRACKET
4	1	86388	DOG CLUTCH
5	1	GM208	LATCH SPRING
6	1	DWM191	SNAPPER PIN, 3/8 X 2-3/4
7	2	86404	SPACER
8	4	YBFB10075	BOLT FLANGE, 5/16 X 3/4 G5
9	1	YBFB16125	BOLT FLANGE, 1/2 X 1-1/4 G5
10	1	YBFB16200	BOLT FLANGE, 1/2 X 2 G5
11	2	YNFG08010	NUT FLANGE , 1/4 GF
12	4	YNFG10005	NUT FLANGE, 5/16 GF
13	2	YNFG16003	NUT FLANGE, 1/2 GF
14	2	YWFL16005	WASHER FLAT, 1/2
15	4	YWLO10005	WASHER LOCK, 5/16

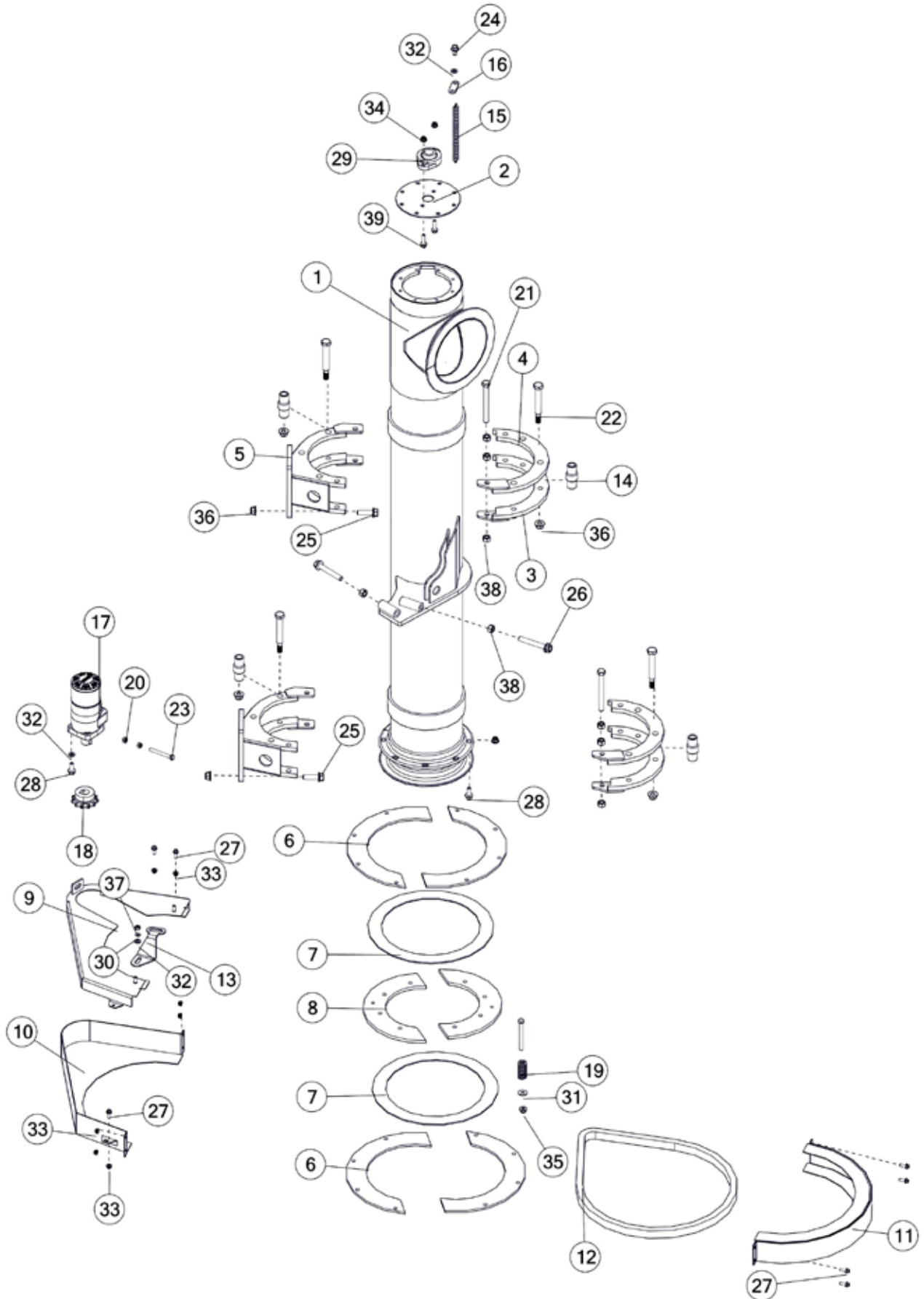


## FIGURE 22

### UNLOADING AUGER AND COMPONENTS

<u>ITEM</u>	<u>QTY</u>	<u>PART#</u>	<u>DESCRIPTION</u>
1	1	85626	UNLOADING AUGER HOUSING
2	1	GM245	AUGER INNER DRIVE CAP
3	1	80542	UNLOADING AUGER 12FT
4	1	85691	AUGER LONG BEARING SHAFT
5	1	GM243	SPOUT
6	1	GM244	SPOUT RUBBER
7	1	85990	AUGER ADJUSTABLE CRADLE
8	1	55921	AUGER CRADLE BASE
9	3	GM231	STAGGERED PIVOT COLLAR
10	1	GM232	COLLAR SHIM
11	1	T40	BEARING W/LOCK COLLAR, 1
12	2	YBHH08060	BOLT HEX, 1/4-20 X 2-1/4 G5 ZC
13	2	YBFB12125	BOLT FLANGE, 3/8 X 1-1/4 G5
14	17	YBCR10030	BOLT CARRIAGE, 5/16 X 3/4 G5
15	8	YBFB12003	BOLT FLANGE, 3/8 X 1 G5 ZC
16	8	YBFB12075	BOLT FLANGE, 3/8 X 3/4 G5
17	8	YBFB10075	BOLT FLANGE, 5/16 X 3/4 G5
18	8	YBFB12150	BOLT FLANGE, 3/8 X 1-1/2 G5
19	9	YNHX08005	NUT HEX, 1/4 G5
20	24	YNFG12006	NUT FLANGE, 3/8 GF
21	4	YNFG10005	NUT FLANGE, 5/16 GF
22	1	YSSO64005	SET SCREW, SOCKET, #10-32 X 1/4
23	4	RG51	ZERK, 90 DEGREE 1/4-28

# FIGURE 23 VERTICAL AUGER TUBE AND COMPONENTS



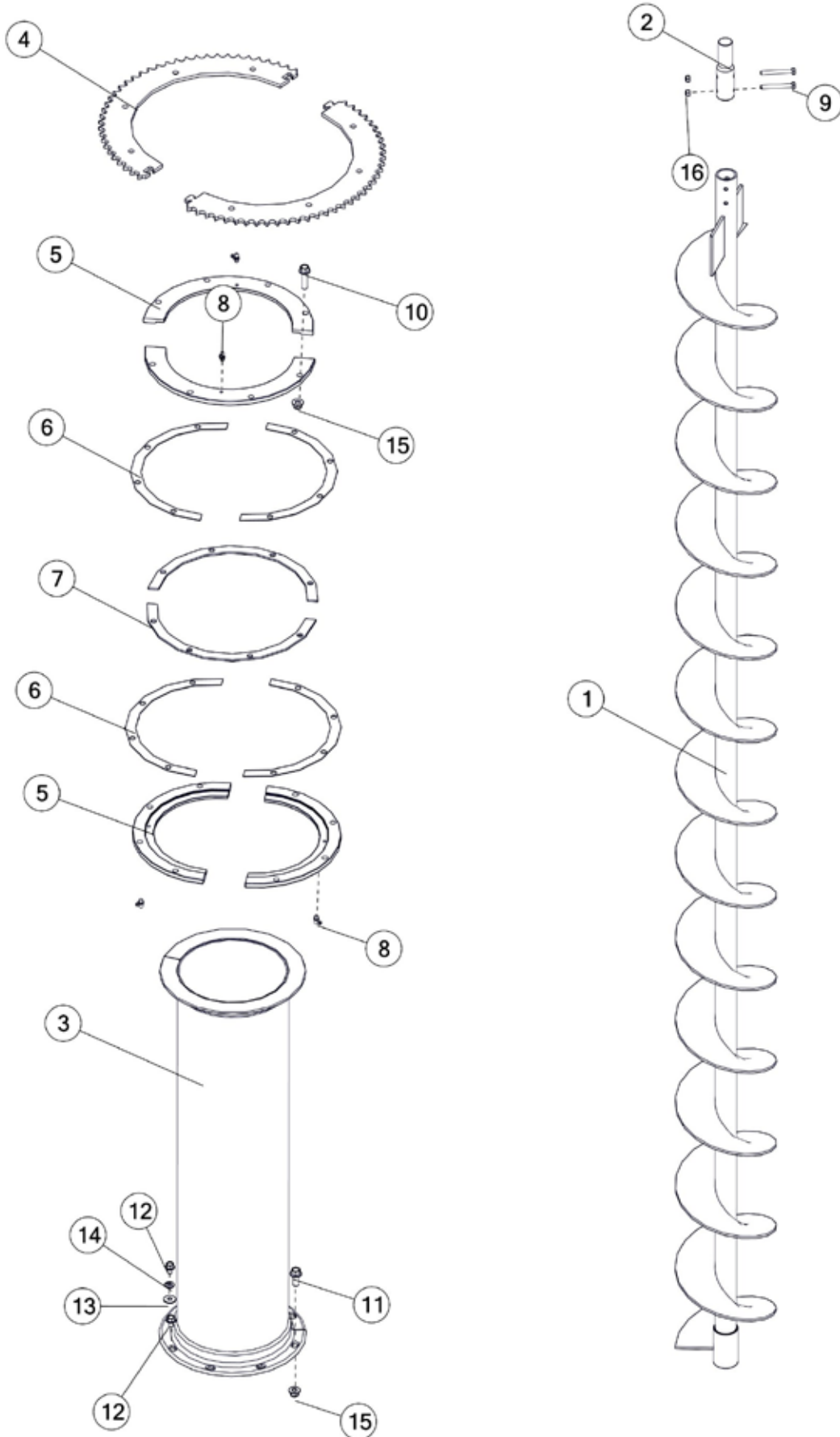


## FIGURE 23

### VERTICAL AUGER TUBE AND COMPONENTS

<u>ITEM</u>	<u>QTY</u>	<u>PART#</u>	<u>DESCRIPTION</u>
1	1	85625	VERTICAL AUGER TUBE
2	1	85932	AUGER INNER IDLE CAP
3	2	GM340	SPLIT RING BOTTOM
4	2	GM341	SPLIT RING TOP
5	2	75386	AUGER, TOP
6	4	GM229	CLUTCH FACE
7	2	GM237	CLUTCH
8	2	GM228	CLUTCH PLATE
9	1	86076	CHAIN SHIELD, TOP
10	1	86078	CHAIN SHIELD, BOTTOM
11	1	75434	GUARD, RING, OUTER
12	1	84459	ROLLER CHAIN, 60 X 79
13	1	86084	BRKT GUARD
14	12	GM345	ROLLER
15	1	23N187	SPRING
16	1	GM436	HOSE HOLDER
17	1	81570	HYD MOTOR, 22.6CI
18	1	GM226	AUGER TURN SPROCKET
19	18	WM210	BRAKE SPRING
20	2	YNHX10010	NUT HEX, 5/16 G5
21	4	YBHH16156	BOLT, HEX, FT, 1/2-13 X 5, G5, ZC
22	12	GM342	STEP BOLT
23	1	YBHH10095	BOLT, HEX, FT, 5/16-18 X 3, G2, ZC
24	8	YBFB12075	BOLT FLANGE, 3/8 X 3/4 G5
25	8	YBFB16175	BOLT FLG, 1/2 X 1-3/4 G5
26	2	YBFB16350	BOLT FLANGE, 1/2 X 3-1/2 G5
27	7	YBFB08075	BOLT FLANGE, 1/4 X 3/4 G5
28	12	YBFB12003	BOLT FLANGE, 3/8 X 1 G5 ZC
29	1	T40	BEARING W/LOCK COLLAR, 1
30	1	YWFL06010	WASHER, FLAT, 3/16 USS
31	8	YWFL12005	WASHER FLAT , 3/8 G5
32	8	YWLO12005	WASHER LOCK, 3/8
33	7	YNFG08010	NUT FLANGE , 1/4 GF
34	2	YNFG10005	NUT FLANGE, 5/16 GF
35	16	YNFG12006	NUT FLANGE, 3/8 GF
36	20	YNFG16003	NUT FLANGE, 1/2 GF
37	1	YNHX10005	NUT HEX, 5/16 G2
38	12	NEED PART #	NEED DESCRIPTION
39	2	YBFB10125	BOLT FLANGE, 5/16 X 1-1/4 G5

# FIGURE 24 VERTICAL AUGER AND COMPONENTS

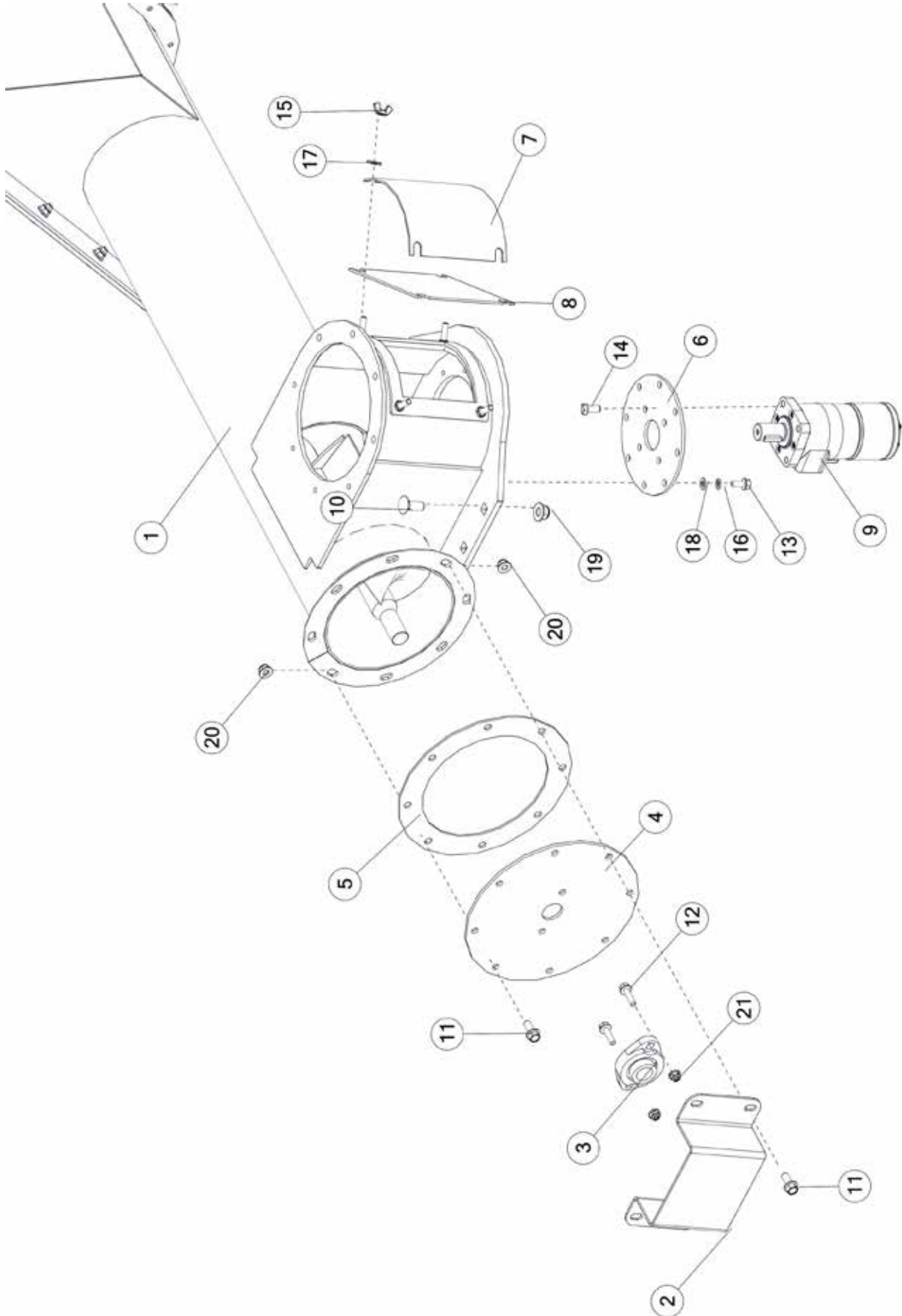


## FIGURE 24

### VERTICAL AUGER AND COMPONENTS

<u>ITEM</u>	<u>QTY</u>	<u>PART#</u>	<u>DESCRIPTION</u>
1	1	78393	AUGER, VERTICAL
2	1	GM233	VERTICAL AUGER SHAFT
3	1	78157	ROUND TUBE, AUGER
4	2	GM238	CLUTCH SPROCKET, 60 B
5	4	GM231	STAGGERED PIVOT COLLAR
6	4	GM459	COLLAR SHIM
7	1	GM232	COLLAR SHIM
8	4	RG51	ZERK, 90 DEGREE 1/4-28
9	2	YBHH08060	BOLT HEX, 1/4-20 X 2-1/4 G5 ZC
10	8	YBFB12150	BOLT FLANGE, 3/8 X 1-1/2 G5
11	4	YBFB12003	BOLT FLANGE, 3/8 X 1 G5 ZC
12	4	YBFB10002	BOLT FLANGE, 5/16 X 1/2 G5
13	4	YWFL10005	WASHER LOCK, 3/8
14	4	YWLO12005	WASHER LOCK, 3/8
15	16	YNFG12006	NUT FLANGE, 3/8 GF
16	2	YNTL08005	NUT HEX, TOP LOCK, 1/4 G5

# **FIGURE 25** **AUGER HOUSING AND COMPONENTS**

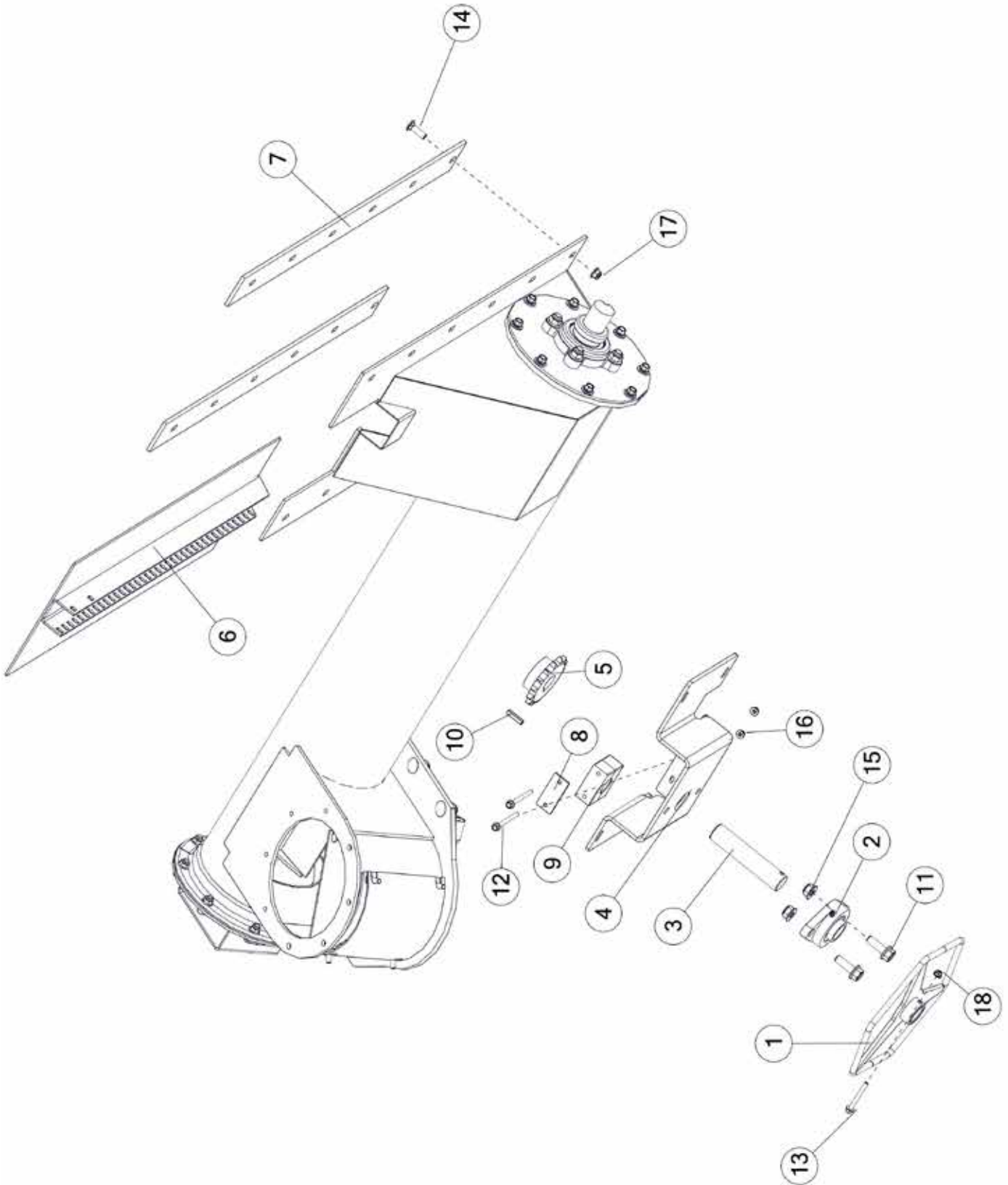


## FIGURE 25

### AUGER HOUSING AND COMPONENTS

<u>ITEM</u>	<u>QTY</u>	<u>PART#</u>	<u>DESCRIPTION</u>
1	1	85488	AUGER HOUSING ASSEMBLY
2	1	86534	SHAFT SHIELD
3	1	T40	BEARING W/LOCK COLLAR, 1
4	1	78254	AUGER COVER
5	1	74281	SHIM
6	1	81642	AUGER INNER DRIVE CAP
7	1	80194	STEEL PANEL, CLEANOUT DOOR
8	1	84174	GASKET, CLEANOUT
9	1	85344	HYDRAULIC MOTOR, 10.1CI
10	4	YBCR16015	BOLT CARRIAGE, 1/2 X 1-1/4 G5
11	8	YBFB12003	BOLT FLANGE, 3/8 X 1 G5 ZC
12	2	YBFB10125	BOLT FLANGE, 5/16 X 1-1/4 G5
13	8	YBFB10075	BOLT FLANGE, 5/16 X 3/4 G5
14	4	YBHH12135	BOLT HEX, 3/8 X 3/4 G5
15	4	YNWG10005	NUT WING, 5/16-18 NA ZC
16	8	YWLO10005	WASHER LOCK, 5/16
17	4	YWFL10005	WASHER LOCK, 3/8
18	8	YWFL10010	WASHER FLAT, 5/16 G8
19	4	YNFG16003	NUT FLANGE, 1/2 GF
20	8	YNFG12006	NUT FLANGE, 3/8 GF
21	2	YNFG10005	NUT FLANGE, 5/16 GF

# **FIGURE 26** **GATE AND COMPONENTS**

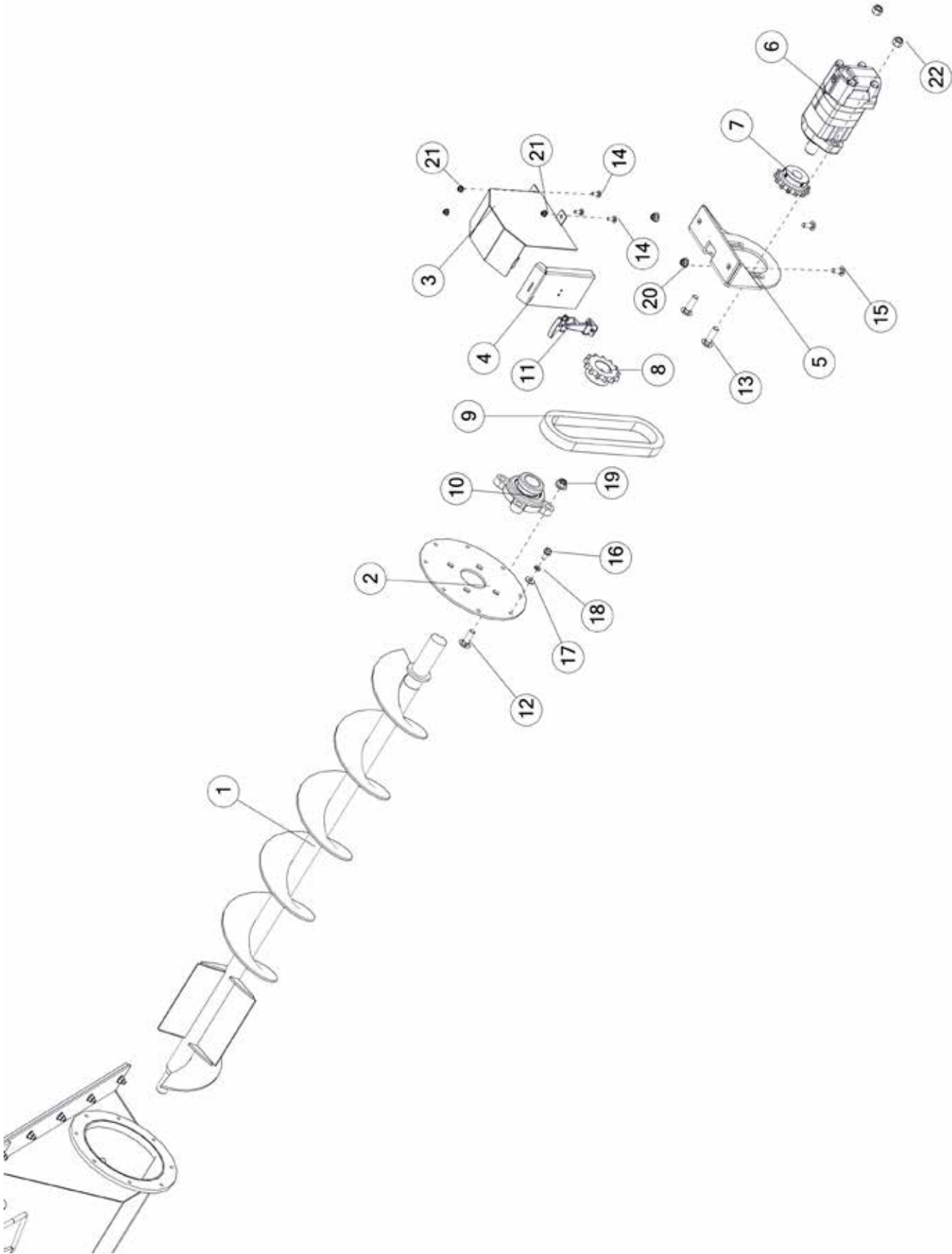


## FIGURE 26

### GATE AND COMPONENTS

<u>ITEM</u>	<u>QTY</u>	<u>PART#</u>	<u>DESCRIPTION</u>
1	1	85582	HANDLE, GATE
2	1	12N29	FLANGE BEARING
3	1	85568	HANDLE SHAFT
4	1	85698	GATE BRACKET
5	1	55230	SPROCKET, 1-1/4 SHAFT 60B15
6	1	85690	GATE
7	2	80232	SPACER, 1/4
8	1	56566	CLAMP TOP PLATE
9	1	CHM289	CLAMP HALVES 1-1/4 TUBE
10	1	S135	SQUARE KEY, 1/4 X 1-1/4
11	2	YBFB16150	BOLT FLANGE, 1/2 X 1-1/2 G5
12	2	YBFB08300	BOLT FLANGE, 1/4 X 3 G5
13	1	YBFB08225	BOLT FLANGE, 1/4 X 2-1/4 G5
14	12	YBCR12020	BOLT CARRIAGE, 3/8 X 1-1/4 G5
15	1	YNFG16003	NUT FLANGE, 1/2 GF
16	2	YNFG08010	NUT FLANGE , 1/4 GF
17	12	YNFG12006	NUT FLANGE, 3/8 GF
18	1	YNFG08010	NUT FLANGE , 1/4 GF

**FIGURE 27**  
**HORIZONTAL AUGER AND COMPONENTS**



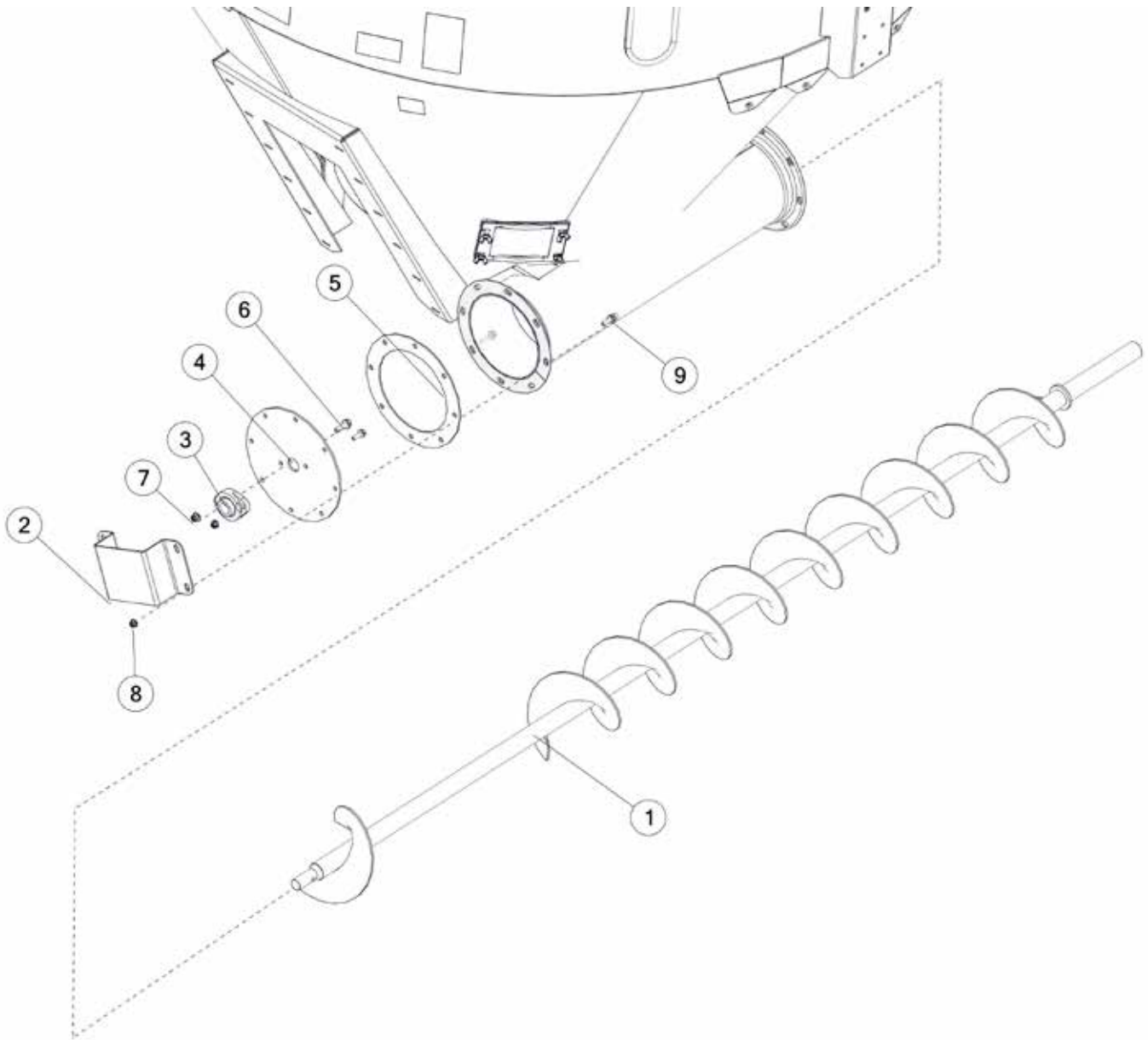


## FIGURE 27

### HORIZONTAL AUGER AND COMPONENTS

<u>ITEM</u>	<u>QTY</u>	<u>PART#</u>	<u>DESCRIPTION</u>
1	1	85646	HORIZONTAL AUGER ASSEMBLY
2	1	85629	AUGER DRIVE CAP
3	1	85659	CHAIN SHIELD
4	1	85994	COVER, CHAIN SHIELD
5	1	85628	MOTOR MOUNT
6	1	81565	HYD MOTOR, 6.2CI
7	1	85671	SINGLE SPROCKET, 13
8	1	TS36	SINGLE SPROCKET, 13
9	1	85995	ROLLER CHAIN, 60 X 38
10	1	78670	BALL BEARING, 1-1/2
11	1	X233	LATCH ASSEMBLY
12	4	YBCR16010	BOLT CARRIAGE, 1/2 X 1-1/2 G5
13	2	YBCR16019	BOLT CARRIAGE, FT, 1/2-13 X 1-3/4 G8 NF
14	3	YBCR08040	BOLT CARRIAGE, 1/4 X 3/4 G5
15	2	YBCR12010	BOLT CARRIAGE, 3/8 X 1 G5
16	8	YBFB10075	BOLT FLANGE, 5/16 X 3/4 G5
17	8	YWFL10005	WASHER LOCK, 3/8
18	8	YWLO10005	WASHER LOCK, 5/16
19	4	YNFG16003	NUT FLANGE, 1/2 GF
20	2	YNFG12006	NUT FLANGE, 3/8 GF
21	3	YNFG08010	NUT FLANGE , 1/4 GF
22	2	YNNY16005	NUT HEX, NYLON LOCKNUT, 1/2

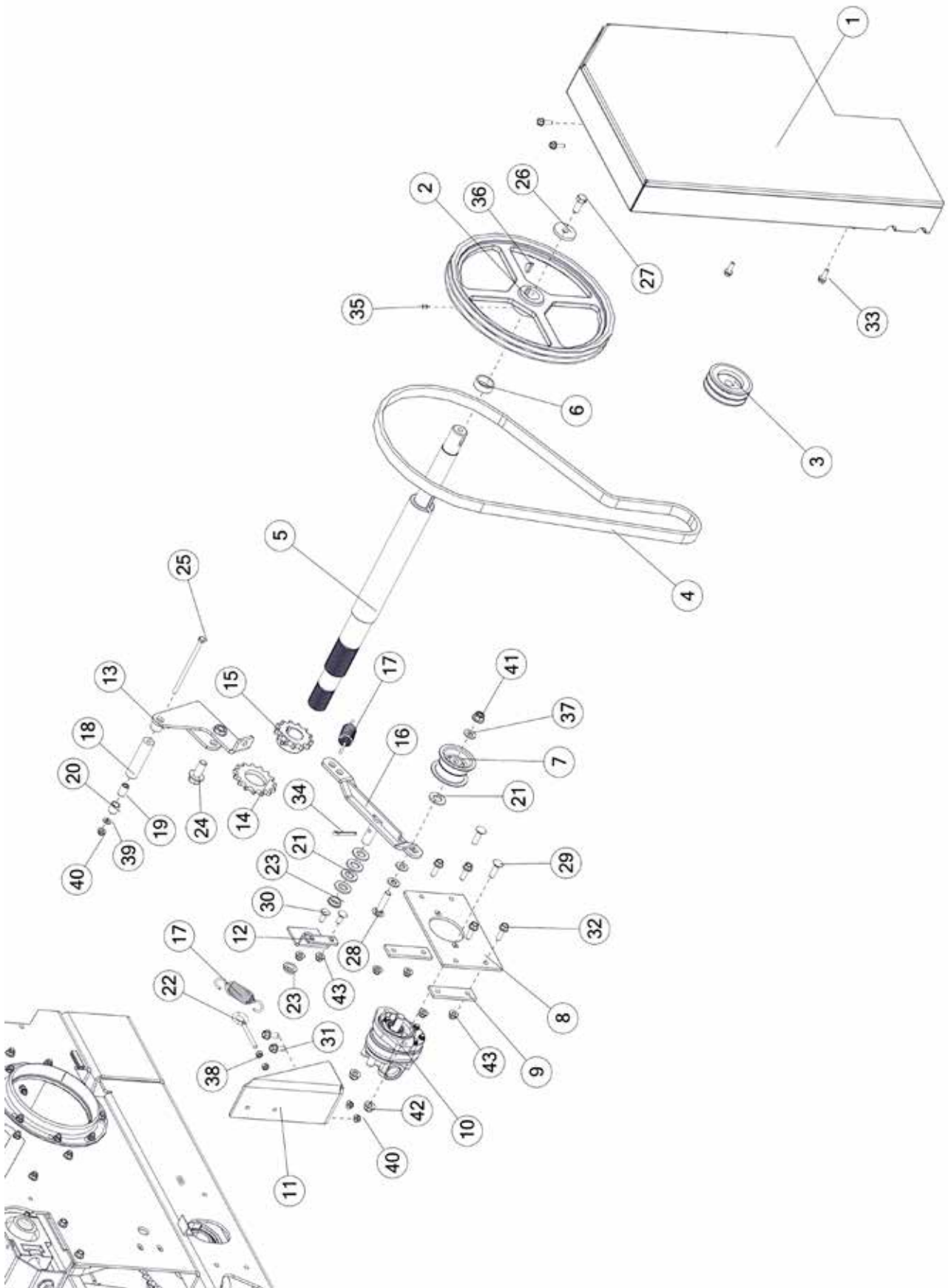
# **FIGURE 28** **TRANSFER AUGER AND COMPONENTS**



**FIGURE 28**  
**TRANSFER AUGER AND COMPONENTS**

<b><u>ITEM</u></b>	<b><u>QTY</u></b>	<b><u>PART#</u></b>	<b><u>DESCRIPTION</u></b>
1	1	78665	TRANSFER AUGER ASSEMBLY
2	1	86534	SHAFT SHIELD
3	1	T40	BEARING W/LOCK COLLAR, 1
4	1	78254	AUGER COVER
5	1	74281	SHIM
6	2	YBFB12125	BOLT FLANGE, 3/8 X 1-1/4 G5
7	2	YNFG12006	NUT FLANGE, 3/8 GF
8	8	YNFG10005	NUT FLANGE, 5/16 GF
9	8	YBFB12003	BOLT FLANGE, 3/8 X 1 G5 ZC

# **FIGURE 29** **DRIVE PULLEY AND COMPONENTS**

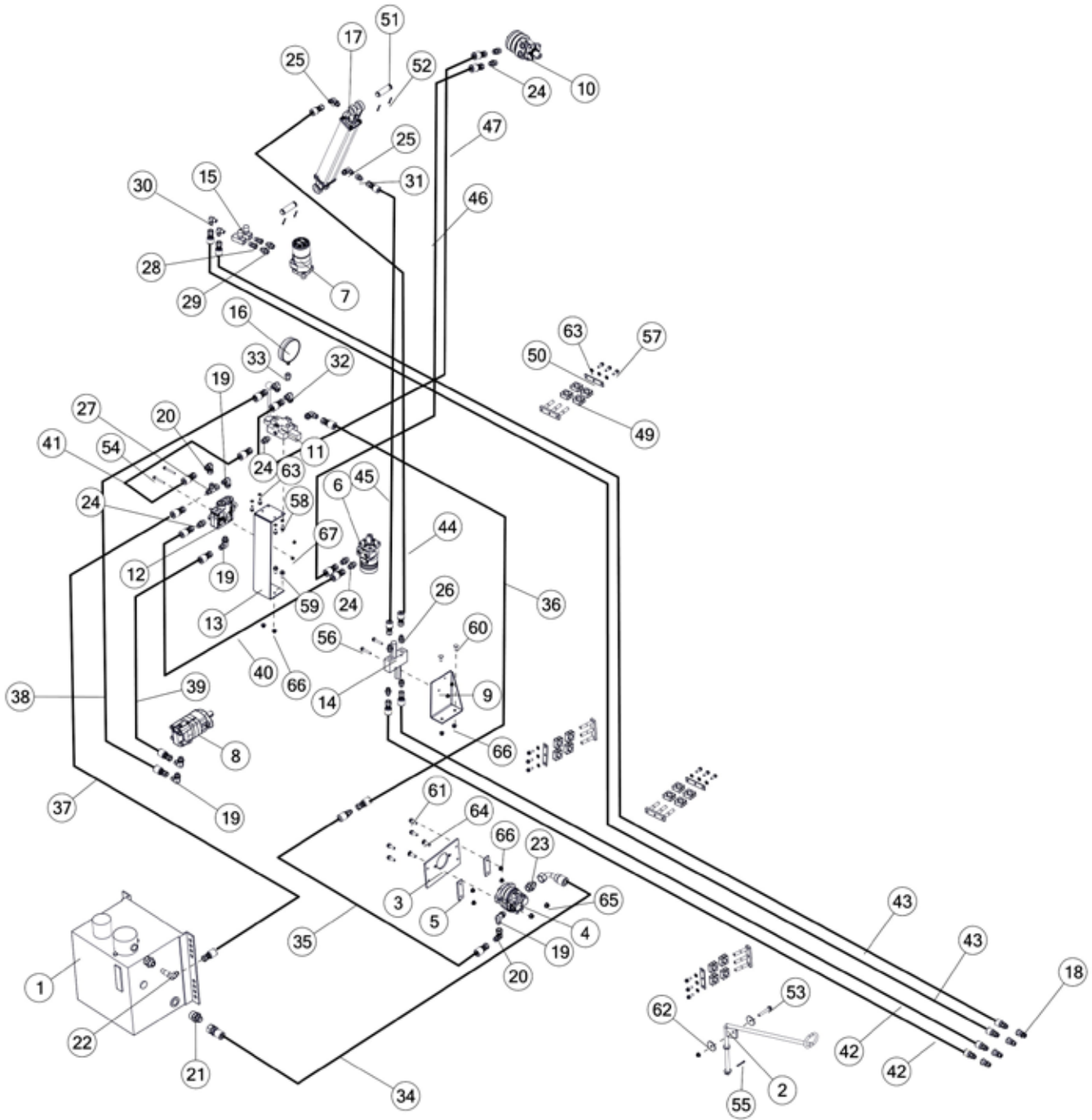


## FIGURE 29

### DRIVE PULLEY AND COMPONENTS

<u>ITEM</u>	<u>QTY</u>	<u>PART#</u>	<u>DESCRIPTION</u>
1	1	84454	BELT SHIELD
2	1	56635	PUMP DRIVE SHEAVE, 540 RPM
3	1	88022	BELT PULLEY
4	1	81621	BELT
5	1	80793	MAIN DRIVE SHAFT
6	1	84508	SPACER, 0.59
7	1	K156	WIDE TIGHTENER FOR DOUBLE BELT
8	1	81618	HYDRAULIC PUMP BRACKET
9	2	81620	PUMP SHIM, 0.19
10	1	81560	HYDRAULIC PUMP
11	1	84435	TENSIONER BRKT
12	1	84003	IDLER BRACKET TENSIONER
13	1	79711	CHAIN TENSIONER
14	1	GM251	MAIN DRIVE IDLER
15	1	TS36	SINGLE SPROCKET, 13
16	1	79716	BELT TENSIONER
17	2	GM410	EXTENSION SPRING
18	1	84429	SPACER, 4.875 TENSIONER
19	1	GM299	TENSIONER PIVOT
20	1	GM296	IDLER PIVOT BUSHING, 3/4OD X 5/8ID X 3/4
21	5	YWFL24020	WASHER FLAT, 3/4
22	1	YBTE10035	BOLT TURNED EYE, 5/16-18 X 3
23	2	GM416	IDLER PIVOT BUSHING
24	1	YBFB20150	BOLT FLANGE, 5/8 X 1-1/2 G5
25	1	YBHH10135	BOLT HEX, 5/16-18 X 6 G5 ZC
26	1	GM415	INPUT YOKE WASHER
27	1	YBHH16046	BOLT HEX, 1/2-20 X 1-1/4 G5 ZC
28	1	YBCR16023	BOLT CARRIAGE, 1/2-13 X 2-1/4 G5 ZC
29	2	YBCR14007	BOLT CARRIAGE, 7/16-14 X 1-1/2 GR5 ZC
30	2	YBCR12010	BOLT CARRIAGE, 3/8 X 1 G5
31	2	YBFB12003	BOLT FLANGE, 3/8 X 1 G5 ZC
32	4	YBFB12125	BOLT FLANGE, 3/8 X 1-1/4 G5
33	4	YBFB10001	BOLT FLANGE, 5/16 X 1 G5
34	1	YPCT08005	COTTER PIN, 1/4 X 1-3/4
35	1	YSKP10010	SCREW SOCKET HEAD, 5/16 X 3/8
36	1	G12	WOODRUFF KEY, 5/16 X 1
37	3	YWFL16015	WASHER FLAT, 1/2 G8
38	2	YNHX10010	NUT HEX, 5/16 G5
39	1	YWFL10010	WASHER FLAT, 5/16 G8
40	3	YNFG10005	NUT FLANGE, 5/16 GF
41	1	YNFG16003	NUT FLANGE, 1/2 GF
42	2	YNFG14011	NUT FLANGE, 7/16-14 GF
43	6	YNFG12006	NUT FLANGE, 3/8 GF

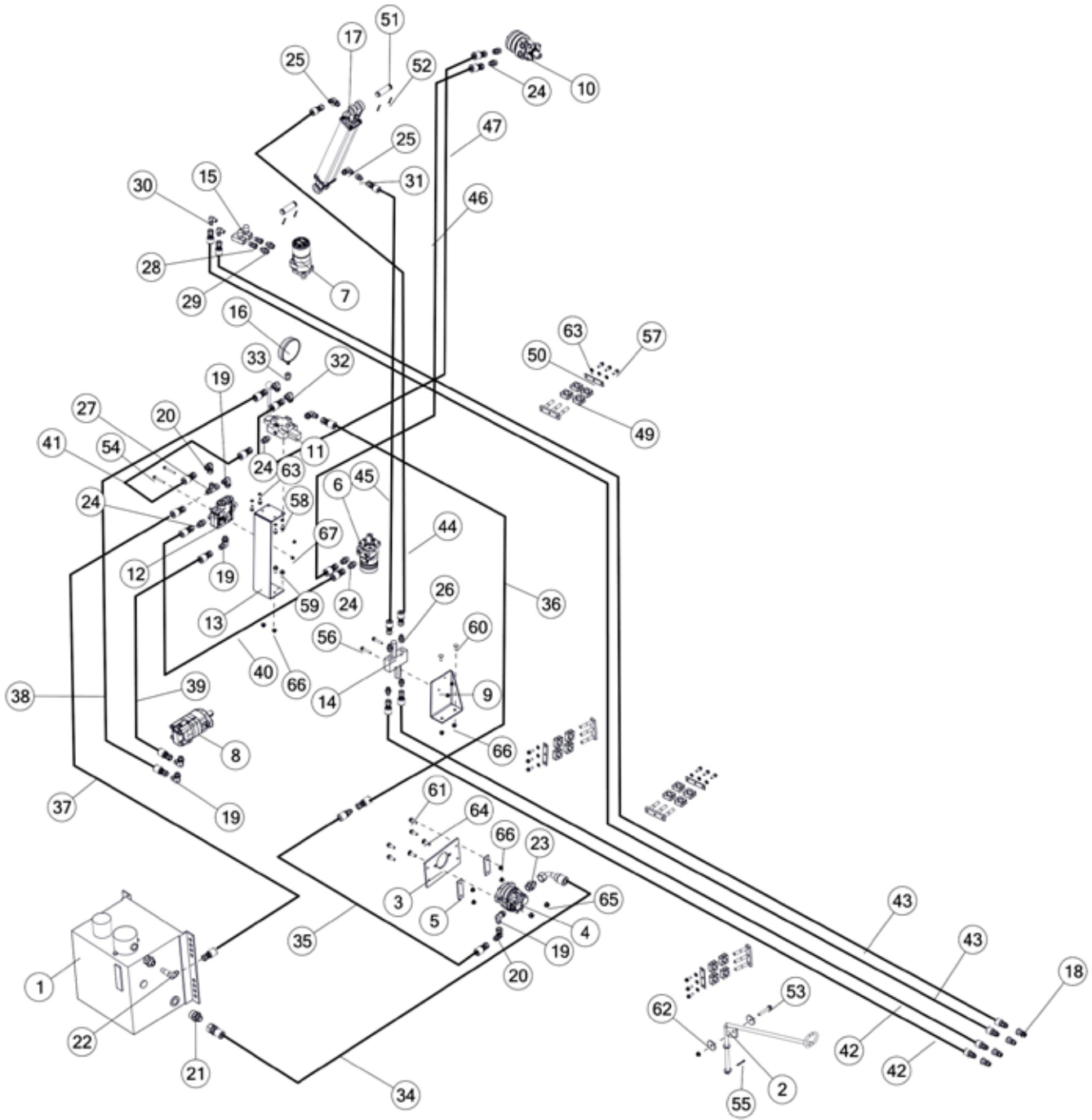
# FIGURE 30 HYDRAULICS



## FIGURE 30 HYDRAULICS

<u>ITEM</u>	<u>QTY</u>	<u>PART#</u>	<u>DESCRIPTION</u>
1	1	81577	HYD TANK, 12GAL
2	1	GM440	GRINDER HOSE HOLDER
3	1	81618	BRKT, HYD PUMP
4	1	81560	HYD PUMP
5	2	81620	PUMP SHIM, 0.19
6	1	81568	HYD MOTOR, 9.7CI
7	1	81570	HYD MOTOR, 22.6CI
8	1	81565	HYD MOTOR, 6.2CI
9	1	84333	HYD VALVE BRKT
10	1	85344	HYD MOTOR, 10.1CI
11	1	81576	HYD VALVE, CONTROL
12	1	GM20	FLOW CONTROL
13	1	84297	CONTROL BRACKET
14	1	81571	HYD VALVE, CROSS PORT
15	1	CHM265	F600S PARKER COLOR FLOW NEEDLE VALVE
16	1	84937	HYD VALVE, GAUGE
17	1	78777	HYD CYLINDER, 2.5 X 18, ORB
18	1	67148	FTG, ST, 8ORB, QUICK COUPLER TIP
19	5	GM56	FITTING, 90, 10JIC X 10ORB
20	2	83997	FITTING 90, 10 JIC, 10 JIC
21	1	81644	FITTING, ST, 16JIC, 20NPT
22	1	84342	MALE ELBOW 37DEC/NPT
23	1	8722	FTG,ST,12JIC,12ORB,STL
24	6	GM57	FTG,ST,10JIC,10ORB,STL
25	2	TS135	FITTING, ELBOW, 8-C5OX-S
26	2	TS137	FTG, ST, 8 JIC, 8 ORB, STL
27	1	GM55	FITTING, TEE, 10JIC X 10JIC X 10JIC
28	2	84724	MALE CONNECTOR 37 DEG SWIVEL
29	2	GM27	FTG,ST,8JIC,10ORB,STL
30	1	TS136	FITTING, 90, 8JIC X 3/8NPT
31	1	TS197	IN-LINE CONNECTOR, ORIFICE, 8-XHX7-S .031
32	1	83733	FITTING, 90, 10JIC X 8ORB
33	1	82668	FTG,ST,8ORB,1/4NPT, STL
34	1	84338	HYD HOSE, 16, 80IN
35	1	83842	HYD HOSE, 10, 111IN
36	1	83844	HYD HOSE, 10, 242IN
37	1	83849	HYD HOSE, 10, 162IN
38	1	85986	HYD HOSE, 10, 75.0IN
39	1	83851	HYD HOSE, 10, 60.0IN
40	1	83850	HYD HOSE, 10, 36.0IN

# FIGURE 30 HYDRAULICS





## FIGURE 30 HYDRAULICS

<u>ITEM</u>	<u>QTY</u>	<u>PART#</u>	<u>DESCRIPTION</u>
41	1	84731	HYD HOSE, 10, 32IN
42	1	83902	HYD HOSE, 8, 251IN
43	1	83903	HYD HOSE, 8, 288IN
44	1	83852	HYD HOSE, 8, 158IN
45	1	83853	HYD HOSE, 8, 172IN
46	1	83846	HYD HOSE, 10, 185IN
47	1	82561	HYD HOSE, 10, 185IN
48	2	82556	HYD HOSE, 10, 185IN
49	16	GM66	HOSE CLAMP INSERT 1/2
50	4	GM64	TOP PLATE
51	2	T143	HYDRAULIC CYLINDER PIN
52	4	YPCT05010	COTTER PIN 5/32" X 1-1/2"
53	1	YBFB12275	BOLT FLG, 3/8 X 2-3/4 G5
54	2	YBFB08250	BOLT FLG, 1/4 X 2-1/2 G5
55	1	YPCT06005	COTTER PIN, 3/16 X 1-1/2
56	2	YBFB10200	BOLT FLG, 5/16 X 2 G5
57	12	YBFB10001	BOLT FLG, 5/16 X 1 G5
58	4	YBFB10075	BOLT FLG, 5/16 X 3/4 G5
59	2	YBFB12003	BOLT FLG, 3/8 X 1 G5
60	2	YBCR12010	BOLT, CARR, 3/8-16 X 1.00, GR5, ZC
61	4	YBFB12125	BOLT FLG, 3/8 X 1-1/4 G5
62	2	YWCU99005	WASHER, CUSTOM, FENDER 3/8" X 2"OD
63	4	YWLO1005	WASHER, LOCK,
64	2	YBCR14007	BOLT, CARR, 7/16-14 X 1-1/2, GR5, ZC
65	2	YNFG14011	NUT FLG, 7/16 GF
66	4	YNFG12006	NUT FLG, 3/8 GF
67	2	YNFG08010	NUT FLG, 1/4 GF

FIGURE 31  
HYDRAULIC TANK

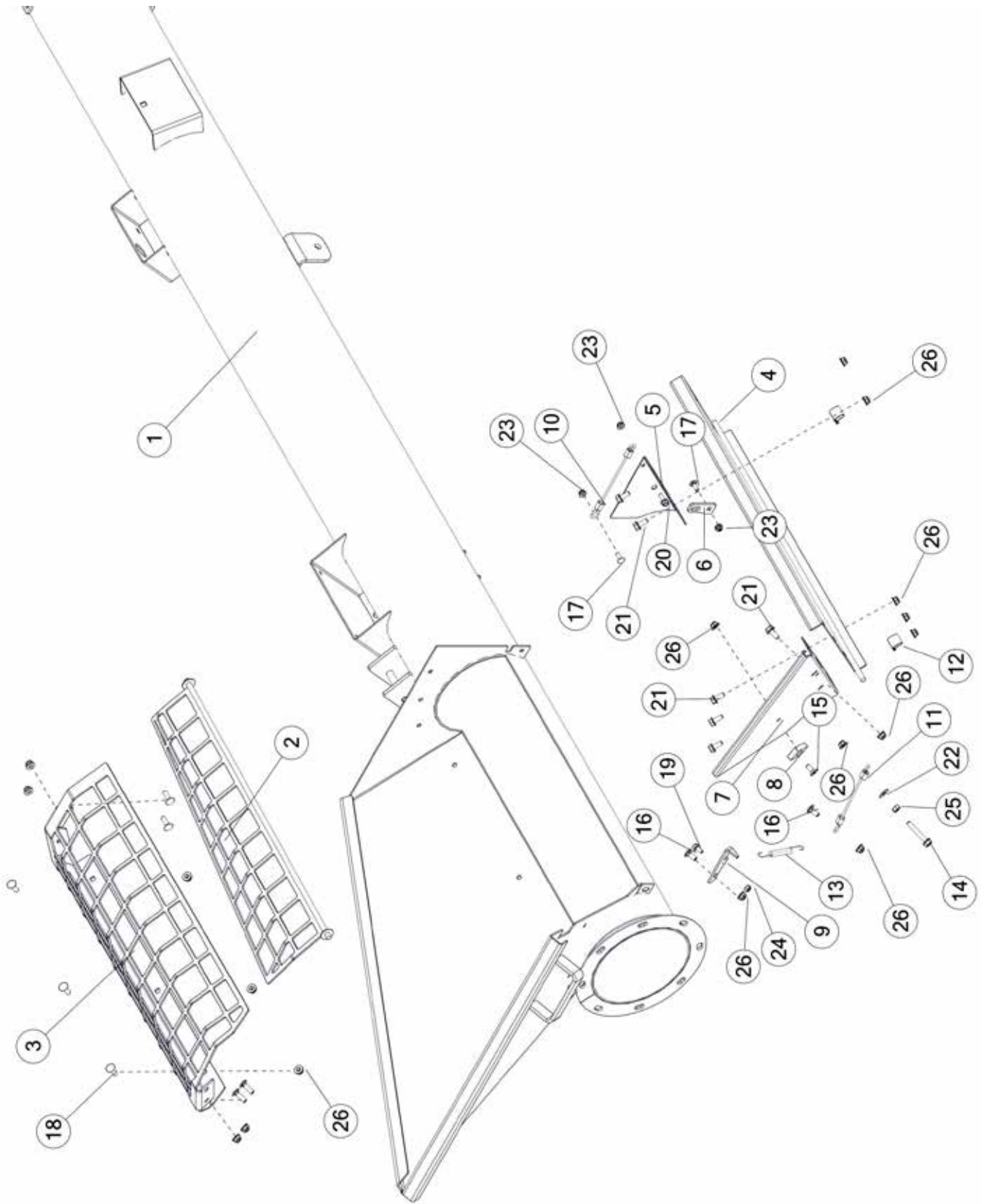
**IMAGE AND  
PARTS  
DESCRIPTIONS  
NOT  
AVAILABLE**

**FIGURE 31**  
**HYDRAULIC TANK**

<b><u>ITEM</u></b>	<b><u>QTY</u></b>	<b><u>PART#</u></b>	<b><u>DESCRIPTION</u></b>
--------------------	-------------------	---------------------	---------------------------

**IMAGE AND  
PARTS  
DESCRIPTIONS  
NOT  
AVAILABLE**

**FIGURE 32**  
**CONVENTIONAL SWINGING INTAKE AUGER OPTION**

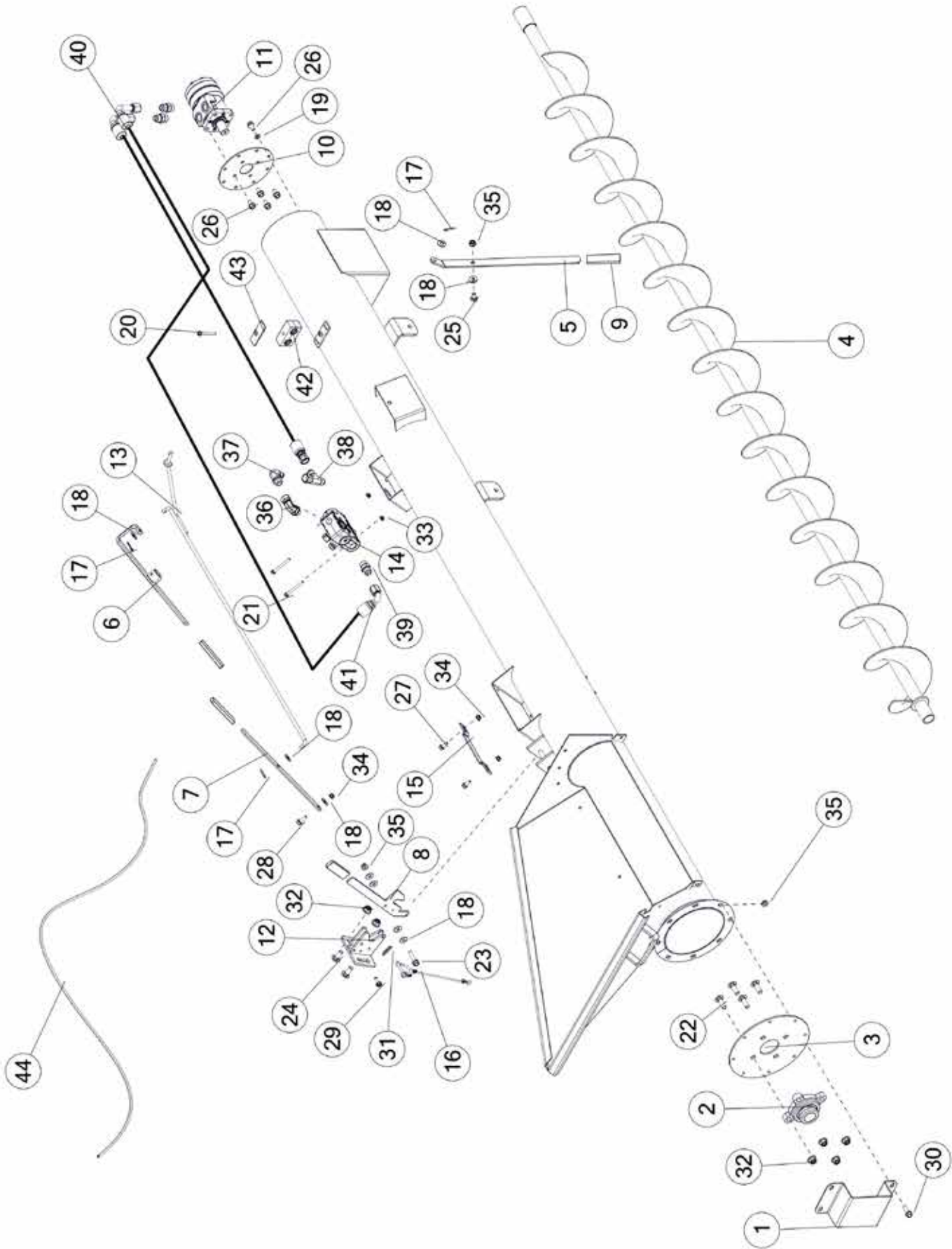


## FIGURE 32

### CONVENTIONAL SWINGING INTAKE AUGER OPTION

<u>ITEM</u>	<u>QTY</u>	<u>PART#</u>	<u>DESCRIPTION</u>
1	1	86451	INFEED AUGER
2	1	86493	HINGED GRATE
3	1	86500	AUGER GRATE, 8IN
4	1	86472	SIDE, 8 IN. AUGER
5	1	86476	TROUGH END PANEL
6	1	86575	HINGE BRACKET, INFEED
7	1	86471	TROUGH END PANEL
8	1	0161PL01	POLY BUMPER
9	1	GM188	TROUGH LATCH
10	2	P-MS-16	LANYARD, 10 INCH CABLE
11	4	71279	SLEEVE
12	2	HGV72	WIRE CLAMP, 3/4
13	1	GM208	LATCH SPRING
14	1	YBFB10200	BOLT FLANGE, 5/16 X 2 G5
15	1	YSFS10001	BOLT FLAT SOK, 5/16-18 X 3/4 ZC
16	2	YBCR10030	BOLT CARRIAGE, 5/16 X 3/4 G5
17	2	YBCR08040	BOLT CARRIAGE, 1/4 X 3/4 G5
18	7	YBCR10010	BOLT CARRIAGE, 5/16 X 1 G5
19	1	YBFB08005	BOLT FLANGE, 1/4 X 1/2 G5
20	1	YBFB08075	BOLT FLANGE, 1/4 X 3/4 G5
21	6	YBFB10075	BOLT FLANGE, 5/16 X 3/4 G5
22	1	YWFL10005	WASHER LOCK, 3/8
23	3	YNFG08010	NUT FLANGE , 1/4 GF
24	1	YNNY08005	NUT HEX, NYLON LOCKNUT, 1/4 G2
25	1	YNHX10010	NUT HEX, 5/16 G5
26	17	YNFG10005	NUT FLANGE, 5/16 GF

**FIGURE 33**  
**CONVENTIONAL SWINGING INTAKE AUGER OPTION**

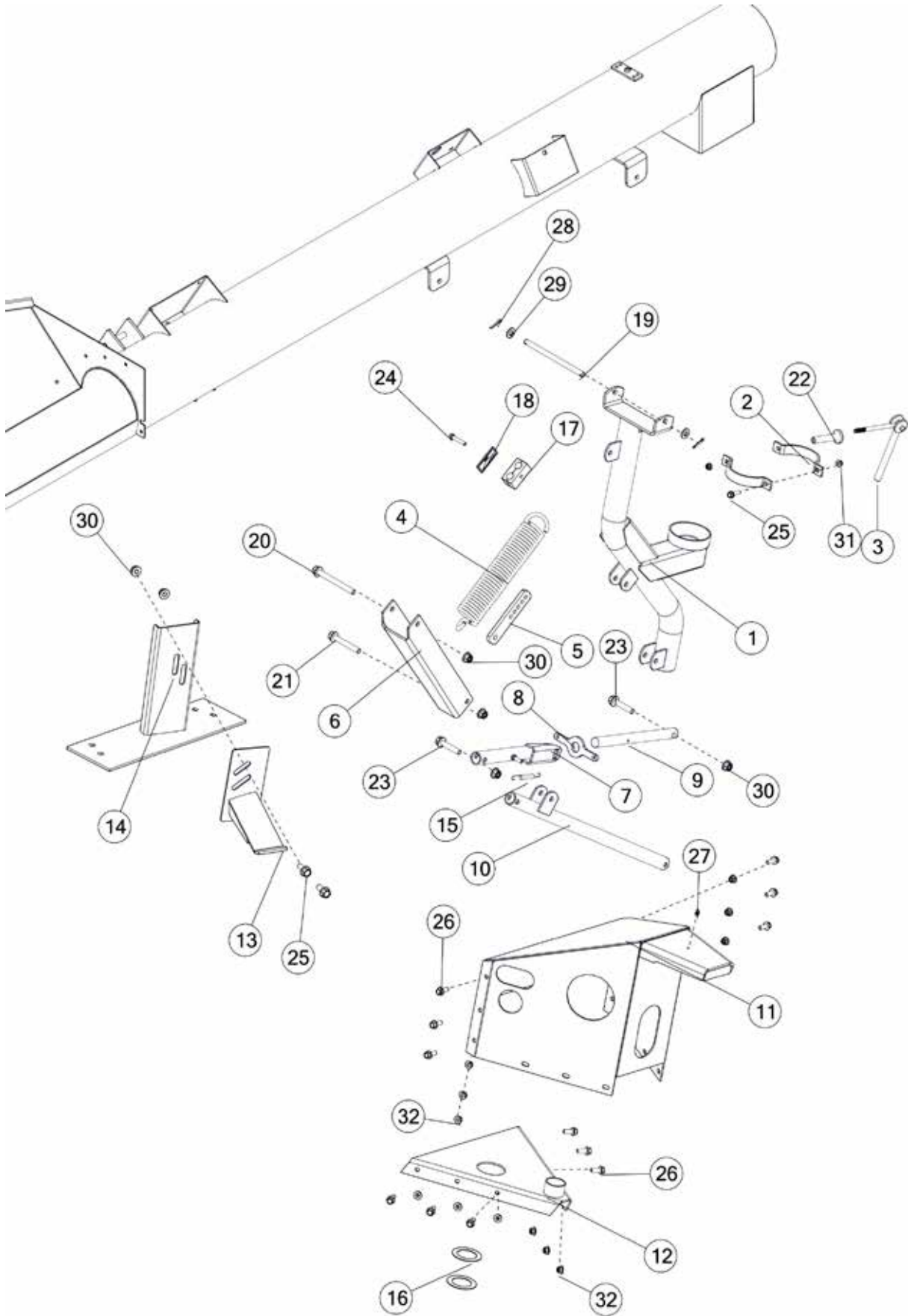


## FIGURE 33

### CONVENTIONAL SWINGING INTAKE AUGER OPTION

<u>ITEM</u>	<u>QTY</u>	<u>PART#</u>	<u>DESCRIPTION</u>
1	1	86534	SHAFT SHIELD
2	1	78670	BALL BEARING, 1-1/2
3	1	85629	AUGER DRIVE CAP
4	1	86514	INFEED AUGER 8IN
5	1	GM371	CONTROL HANDLE
6	1	GM197	FLOW CONTROL HANDLE
7	1	GM195	HANDLE
8	1	86559	INFEED LATCH PLATE
9	4	GM370	HANDLE GRIP
10	1	GM245	AUGER INNER DRIVE CAP
11	1	85344	HYDRAULIC MOTOR, 10.1CI
12	1	86577	INFEED LATCH
13	1	GM196	FLOW CONTROL ROD
14	1	GM20	FLOW CONTROL
15	1	GM194	HANDLE GUIDE
16	1	86089	SNAPPER PIN ASSEMBLY
17	3	YPCT05005	COTTER PIN, 5/32 X 1
18	9	YWFL12005	WASHER FLAT , 3/8 G5
19	8	YWLO12005	WASHER LOCK, 3/8
20	2	YBFB08225	BOLT FLANGE, 1/4 X 2-1/4 G5
21	1	YBFB08250	BOLT FLANGE, 1/4 X 2-1/2 G5
22	4	YBCR16012	BOLT CARRIAGE, FT, 1/2-13 X 1-1/2 G8 NF
23	1	YBFB12175	BOLT FLANGE, 3/8 X 1-3/4 G5
24	2	YBCR16015	BOLT CARRIAGE, 1/2 X 1-1/4 G5
25	1	YBCR12010	BOLT CARRIAGE, 3/8 X 1 G5
26	4	YBFB12075	BOLT FLANGE, 3/8 X 3/4 G5
27	2	YBFB10075	BOLT FLANGE, 5/16 X 3/4 G5
28	1	YBFB10001	BOLT FLANGE, 5/16 X 1 G5
29	1	YSHW10005	HWH TCS "F", 5/16-18 X 1
30	8	YBFB12125	BOLT FLANGE, 3/8 X 1-1/4 G5
31	1	73835	TENSION SPRING, 1.7 X 7.8 X .29ID
32	6	YNFG16003	NUT FLANGE, 1/2 GF
33	2	YNFG08010	NUT FLANGE , 1/4 GF
34	2	YNFG10005	NUT FLANGE, 5/16 GF
35	9	YNFG12006	NUT FLANGE, 3/8 GF
36	1	85263	FITTING 90, -10 JIC, 10 ORB
37	1	GM56	FITTING, 90, 10JIC X 10ORB
38	1	GM55	FITTING, TEE, 10JIC X 10JIC X 10JIC
39	1	GM57	FITTING STRAIGHT, 10JIC X 10ORB
40	1	86532	HYDRAULIC HOSE, 10, 42
41	1	86530	HYDRAULIC HOSE, 10, 55
42	1	86579	HOSE CLAMP, DOUBLE, 5/8
43	1	86581	HOSE CLAMP COVER
44	1	GM434	TRIP ROPE

# FIGURE 34 CONVENTIONAL SWINGING INTAKE AUGER OPTION



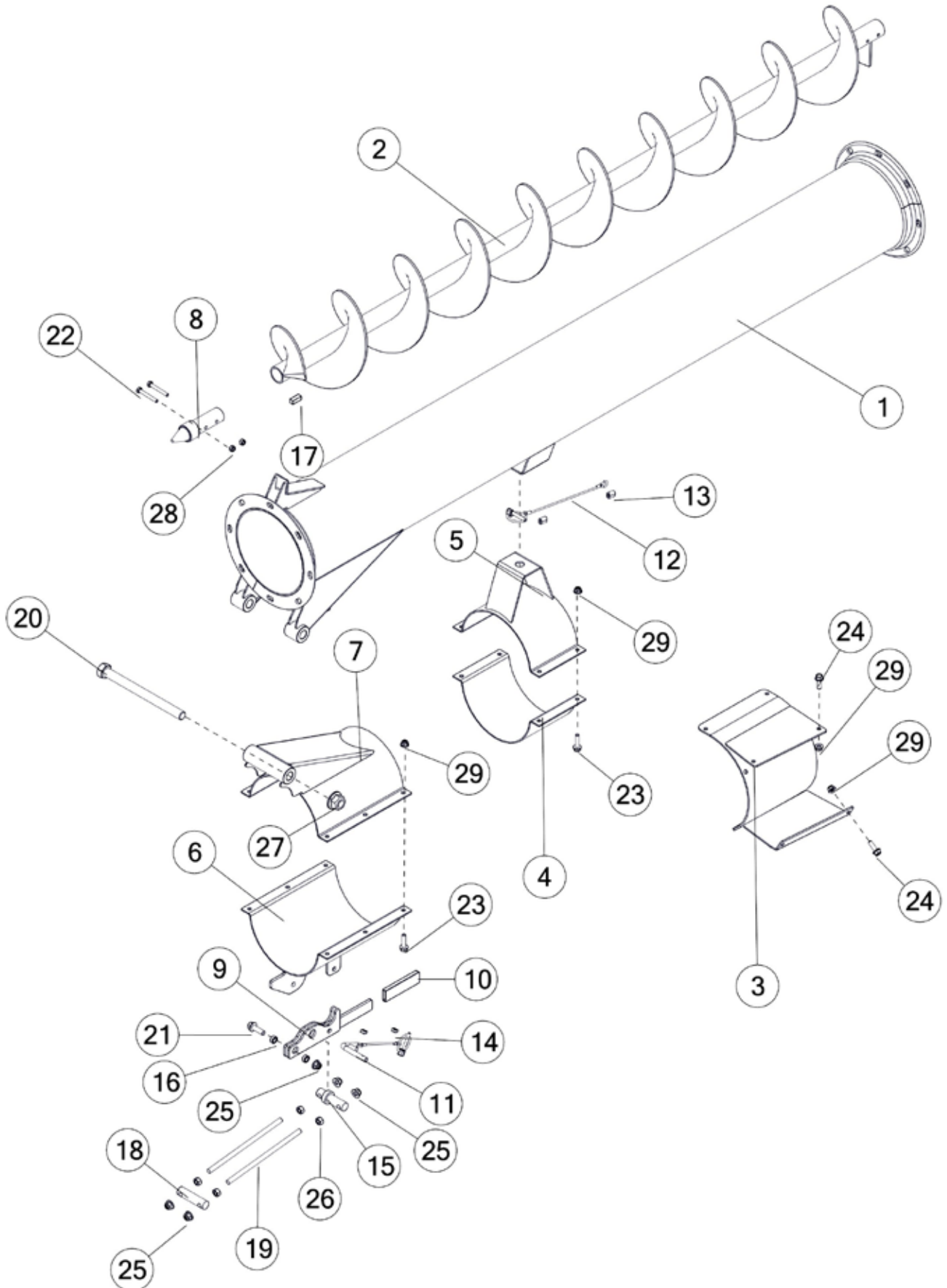


## FIGURE 34

### CONVENTIONAL SWINGING INTAKE AUGER OPTION

<u>ITEM</u>	<u>QTY</u>	<u>PART#</u>	<u>DESCRIPTION</u>
1	1	GM212	PIVOT MAIN SUPPORT
2	2	GM213	BRAKE BAND
3	1	GM217	TIGHTENER ASSM
4	1	GM204	SPRING
5	1	GM206	SPRING ADJUSTMENT
6	1	GM203	SEGMENT LIFT SUPPORT
7	1	GM209	LOCKING TUBE
8	1	GM210	AUGER LIFT LOCK
9	1	GM211	SHAFT LIFT
10	1	GM207	PIVOT LINKAGE
11	1	GM215	PIVOT SUPPORT TOP
12	1	GM214	BOTTOM SUPPORT
13	1	86576	INFEED SUPPORT
14	1	86568	VERTICAL SUPPORT
15	1	GM208	LATCH SPRING
16	2	GM219	PIVOT WASHER
17	1	GM70	HOSE CLAMP BLOCK, 1/2
18	1	GM69	TOP PLATE
19	1	GM458	PIVOT PIN
20	1	YBFB16500	BOLT FLANGE, 1/2 X 5 G5
21	1	YBFB16350	BOLT FLANGE, 1/2 X 3-1/2 G5
22	1	GM216	SPACER ASSEMBLY
23	2	YBFB16250	BOLT FLANGE, 1/2 X 2-1/2 G5
24	1	YBHH10055	BOLT HEX, 5/16-18 X 1-3/4 G5 ZC
25	2	YBFB16125	BOLT FLANGE, 1/2 X 1-1/4 G5
26	12	YBFB12003	BOLT FLANGE, 3/8 X 1 G5 ZC
27	1	RG51	ZERK, 90 DEGREE 1/4-28
28	2	YPCT06002	COTTER PIN, 3/16 X 1
29	2	YWFL16010	WASHER FLAT, 1/2
30	4	YNFG16003	NUT FLANGE, 1/2 GF
31	2	YNFG10005	NUT FLANGE, 5/16 GF
32	12	YNFG12006	NUT FLANGE, 3/8 GF

**FIGURE 35**  
**6' FOLDING EXTENSION OPTION**

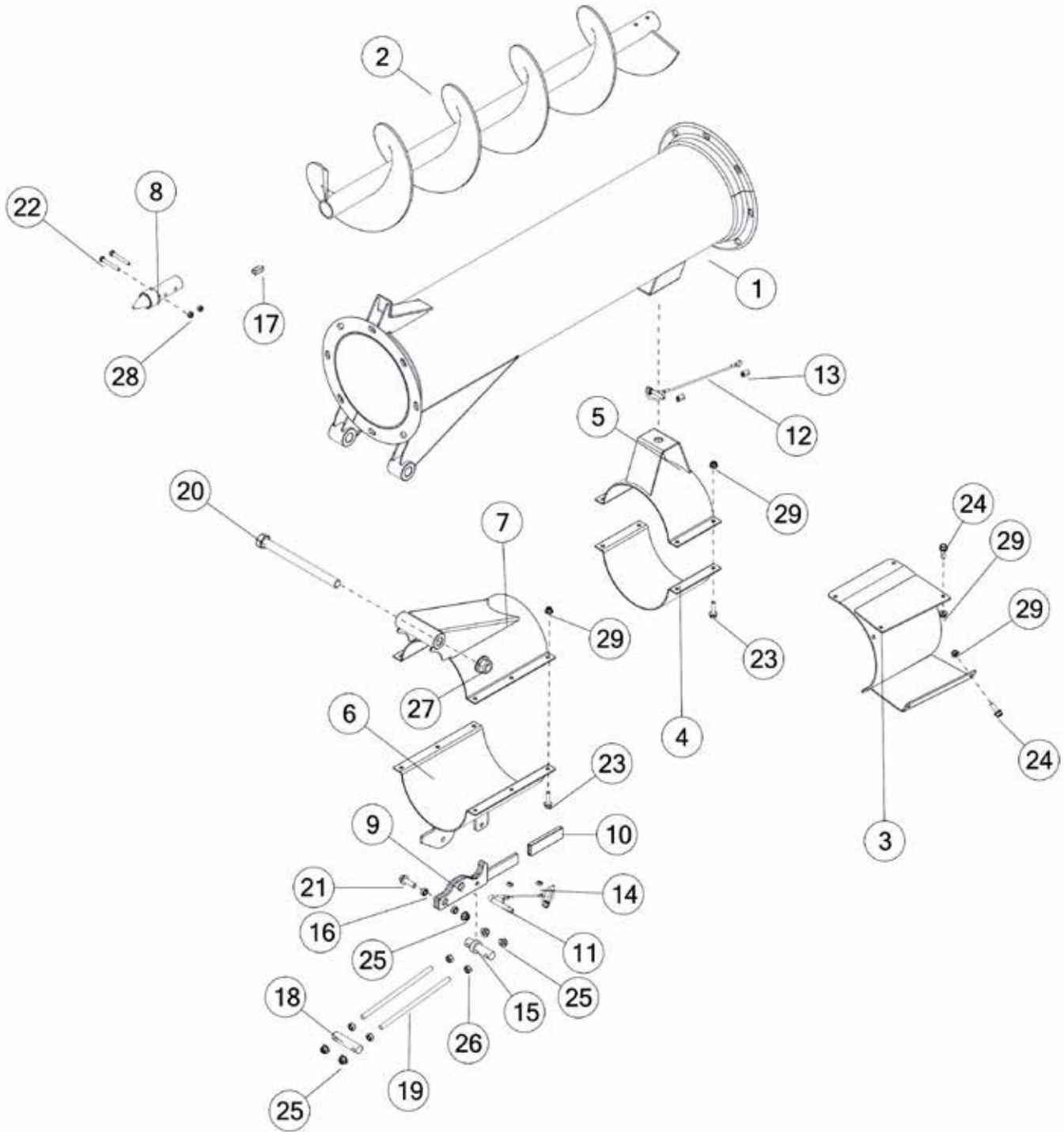


## **FIGURE 35**

### **6' FOLDING EXTENSION OPTION**

<b><u>ITEM</u></b>	<b><u>QTY</u></b>	<b><u>PART#</u></b>	<b><u>DESCRIPTION</u></b>
1	1	GM278	EXTENSION HOUSING, 6FT
2	1	GM531	EXTENSION AUGER, CUPPED FLIGHTING 6FT
3	1	GM514	CRADLE EXTENSION
4	1	GM289	TRANSPORT LOCK CLAMP
5	1	GM290	TRANSPORT LOCK LATCH
6	1	GM284	LATCH CLAMP
7	1	GM283	PIVOT CLAMP
8	1	GM282	AUGER CONNECT SHAFT
9	1	GM285	LATCH HANDLE
10	1	GM370	HANDLE GRIP
11	1	GM573	LATCH PIN W/CLIP PIN & LANYARD
12	1	S122	LYNCH PIN W/CABLE
13	2	71279	SLEEVE
14	2	ES15	CABLE CLAMP, 1/8
15	1	GM369	LATCH PIVOT PIN
16	2	GM180	DOOR PIVOT
17	1	50N140	SQUARE KEY, 3/8 X 1
18	1	GM286	LATCH PIVOT SHAFT
19	2	GM287	LATCH ROD
20	1	YBHH24120	BOLT HEX, 3/4-10 X 9 G5 ZC
21	1	YBFB12125	BOLT FLANGE, 3/8 X 1-1/4 G5
22	2	YBHH08045	BOLT HEX, 1/4 X 2 G5
23	10	YBFB10125	BOLT FLANGE, 5/16 X 1-1/4 G5
24	4	YBFB10001	BOLT FLANGE, 5/16 X 1 G5
25	5	YNFG12006	NUT FLANGE, 3/8 GF
26	4	YNHX12004	NUT HEX, 3/8 G2
27	1	YNFG24006	NUT FLANGE, TOPLOCK 3/4 GG
28	2	YNNY08005	NUT HEX, NYLON LOCKNUT, 1/4 G2
29	14	YNFG10005	NUT FLANGE, 5/16 GF

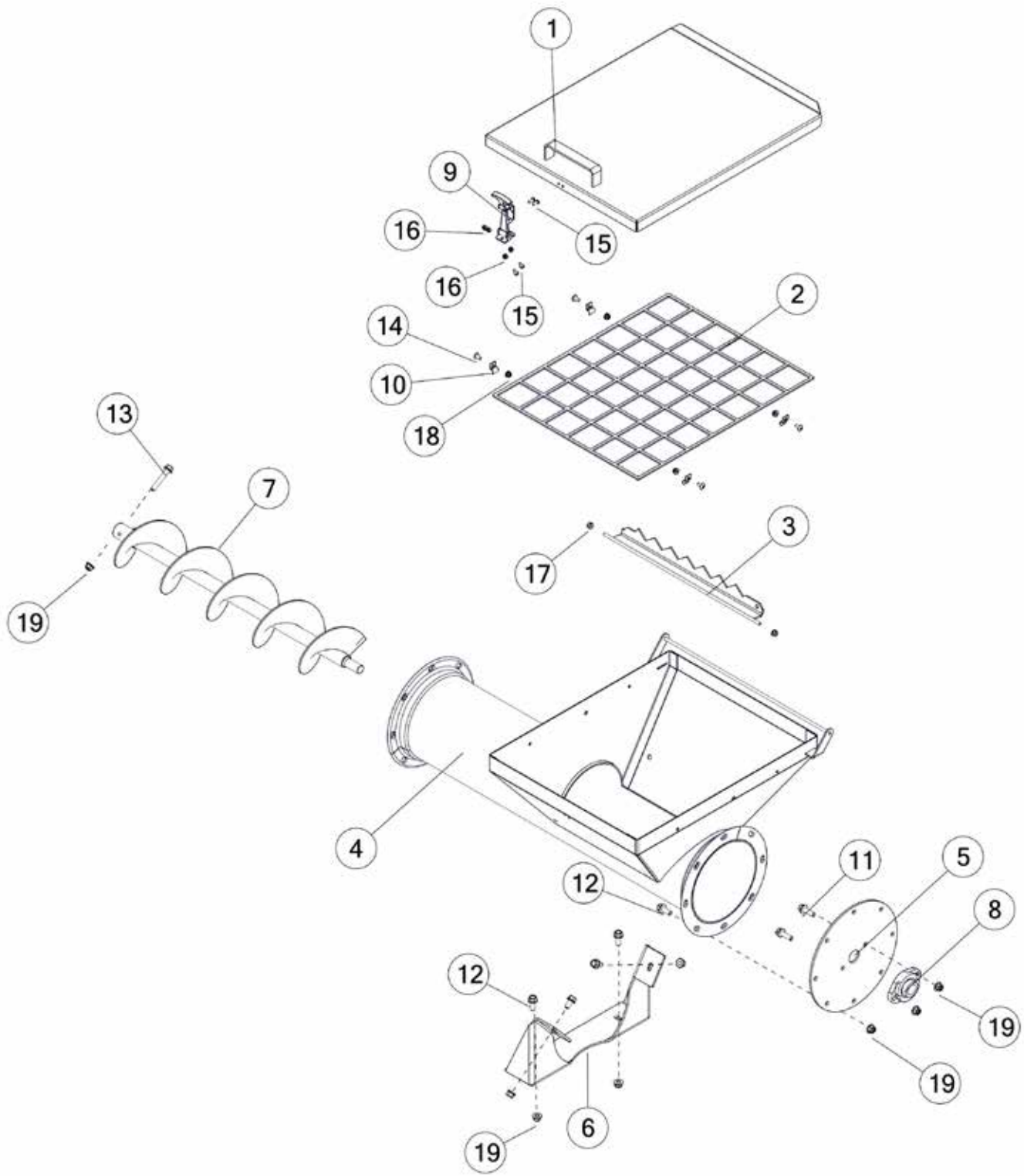
**FIGURE 36**  
**3' FOLDING EXTENSION OPTION**



**FIGURE 36**  
**3' FOLDING EXTENSION OPTION**

<b><u>ITEM</u></b>	<b><u>QTY</u></b>	<b><u>PART#</u></b>	<b><u>DESCRIPTION</u></b>
1	1	GM279	EXTENSION HOUSING, 3FT
2	1	GM530	EXTENSION AUGER, CUPPED FLIGHTING 3FT
3	1	GM514	CRADLE EXTENSION
4	1	GM289	TRANSPORT LOCK CLAMP
5	1	GM290	TRANSPORT LOCK LATCH
6	1	GM284	LATCH CLAMP
7	1	GM283	PIVOT CLAMP
8	1	GM282	AUGER CONNECT SHAFT
9	1	GM285	LATCH HANDLE
10	1	GM370	HANDLE GRIP
11	1	GM573	LATCH PIN W/CLIP PIN & LANYARD
12	1	S122	LYNCH PIN W/CABLE
13	2	71279	SLEEVE
14	2	ES15	CABLE CLAMP, 1/8
15	1	GM369	LATCH PIVOT PIN
16	2	GM180	DOOR PIVOT
17	1	50N140	SQUARE KEY, 3/8 X 1
18	1	GM286	LATCH PIVOT SHAFT
19	2	GM287	LATCH ROD
20	1	YBHH24120	BOLT HEX, 3/4-10 X 9 G5 ZC
21	1	YBFB12125	BOLT FLANGE, 3/8 X 1-1/4 G5
22	2	YBHH08045	BOLT HEX, 1/4 X 2 G5
23	10	YBFB10125	BOLT FLANGE, 5/16 X 1-1/4 G5
24	4	YBFB10001	BOLT FLANGE, 5/16 X 1 G5
25	5	YNFG12006	NUT FLANGE, 3/8 GF
26	4	YNHX12004	NUT HEX, 3/8 G2
27	1	YNFG24006	NUT FLANGE, TOPLOCK 3/4 GG
28	2	YNNY08005	NUT HEX, NYLON LOCKNUT, 1/4 G2
29	14	YNFG10005	NUT FLANGE, 5/16 GF

# **FIGURE 37** **REAR SUPPLEMENT OPTION**

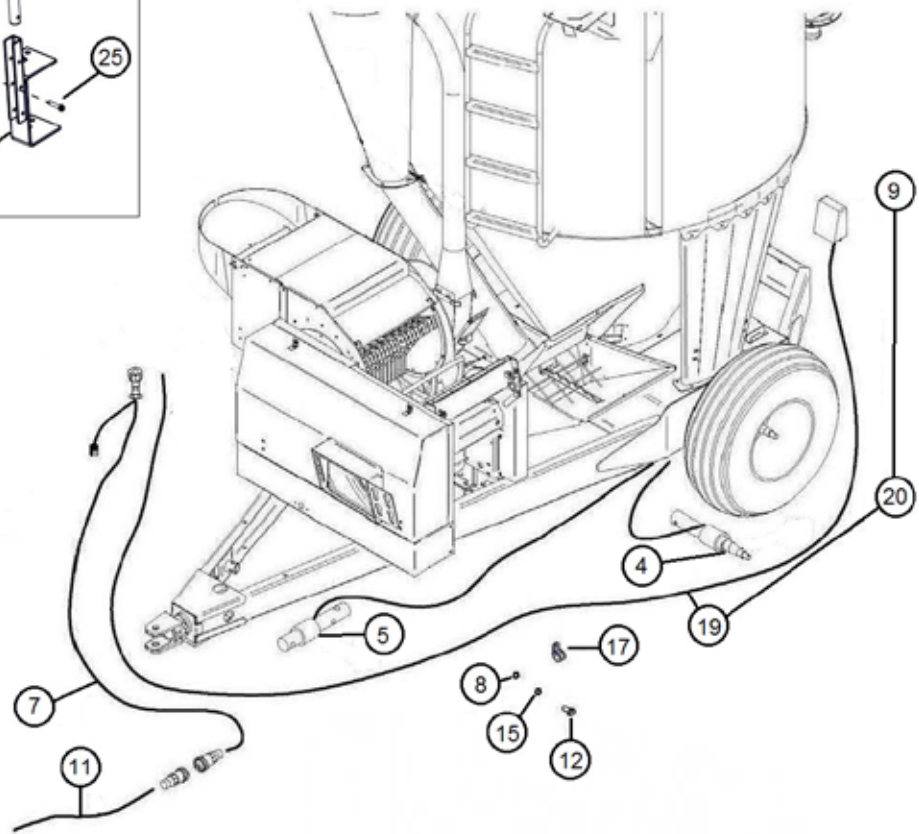
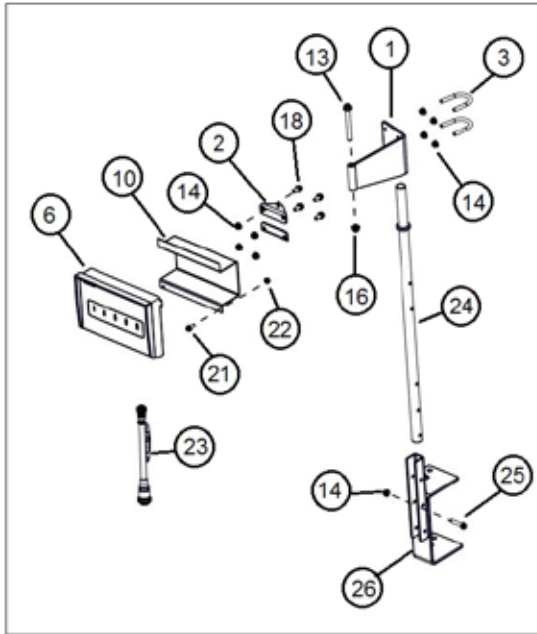


**FIGURE 37**  
**REAR SUPPLEMENT OPTION**

<u>ITEM</u>	<u>QTY</u>	<u>PART#</u>	<u>DESCRIPTION</u>
1	1	85805	HOPPER COVER, REAR
2	1	85422	STEEL PANEL, SCREEN
3	1	85436	BAG BREAKER ASSEMBLY
4	1	85815	FEED TANK
5	1	78254	AUGER COVER
6	1	85390	HOPPER BRACKET, REAR
7	1	85420	AUGER ASSEMBLY
8	1	T40	BEARING W/LOCK COLLAR, 1
9	1	X233	LATCH ASSEMBLY
10	4	GM91	HOSE CLAMP
11	2	YBFB12125	BOLT FLANGE, 3/8 X 1-1/4 G5
12	12	YBFB12003	BOLT FLANGE, 3/8 X 1 G5 ZC
13	1	YBFB12225	BOLT FLANGE, 3/8 X 2-1/4 G5
14	4	YSTP08005	SCREW TRUSS HEAD, PHILLIPS MACH 1/4-20 X 1/2
15	4	YSPP64005	SCREW PAN HEAD, #10-32 X 1/2
16	4	YNNY64006	NUT, HEX, 10-32, SS
17	2	YNFG08005	NUT HEX, FLANGED TOP LOCK 1/4
18	4	YNFG08010	NUT FLANGE , 1/4 GF
19	15	YNFG12006	NUT FLANGE, 3/8 GF

# FIGURE 38

## 2500 SCALE OPTION





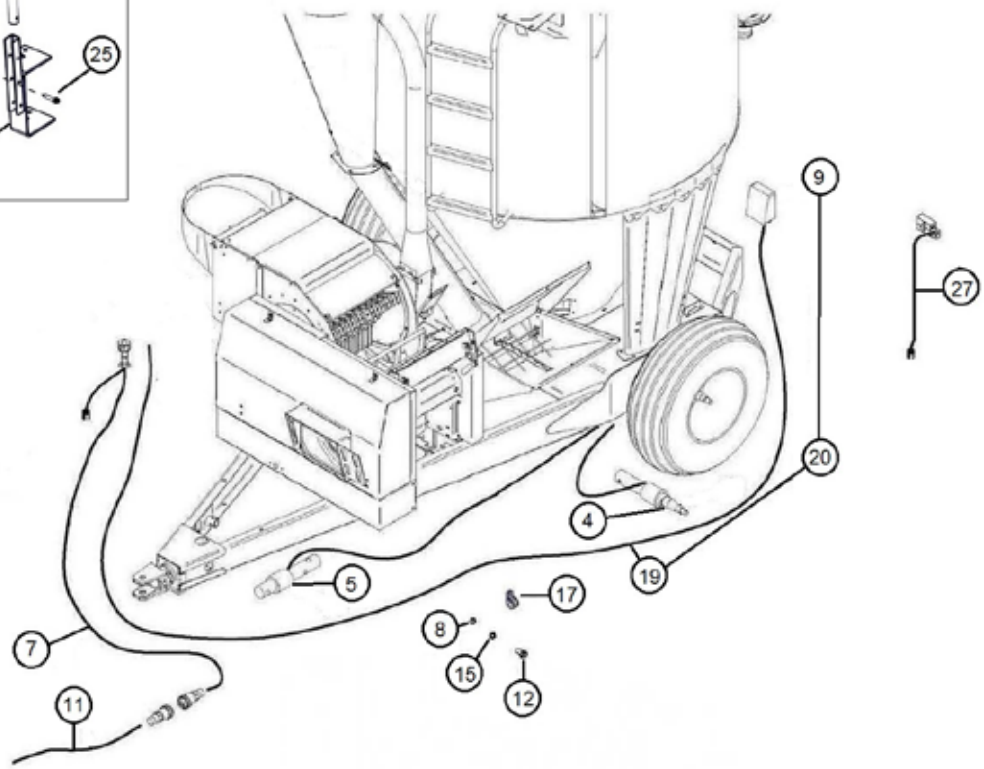
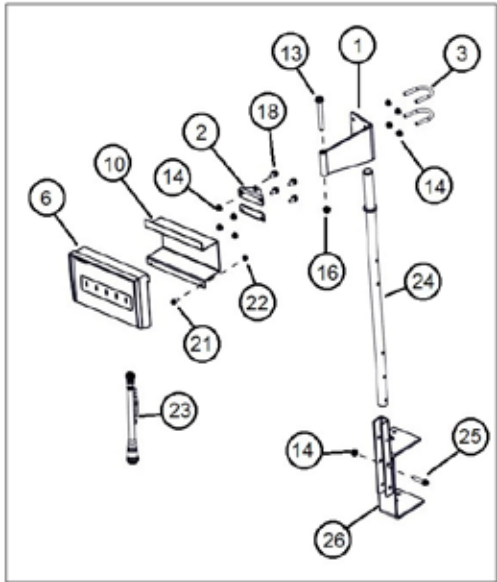
## **FIGURE 38**

### **2500 SCALE OPTION**

<b><u>ITEM</u></b>	<b><u>QTY</u></b>	<b><u>PART#</u></b>	<b><u>DESCRIPTION</u></b>
1	1	85110	SCALE BRACKET
2	2	GM401	CONTROL BOX MOUNT
3	2	YBPU10005	U-BOLT, 5/16-18 X 1-1/2
4	2	GM402	SPINDLE LOAD CELL
5	1	GM403	HITCH LOAD CELL
6	1	GM404	SCALE MONITOR
7	1	77616	ELECTRIC HARNESS, POWER
8	1	YNHX08005	NUT HEX, 1/4 G5
9	1	GM407	JUNCTION BOX
10	1	GM408	SCALE HANGER BRACKET
11	1	16SV269	TRACTOR CONTROL HARNESS
12	1	YBHH08100	BOLT HEX, 1/4 X 3/4 G5
13	1	YBFB12400	BOLT FLANGE, 3/8 X 4 G5
14	9	YNFG10005	NUT FLANGE, 5/16 GF
15	1	YWLO08005	WASHER LOCK, 1/4
16	1	YNFG12006	NUT FLANGE, 3/8 GF
17	1	HGV162	RUBBER WIRE HOLDER, 1/2
18	4	YBFB10075	BOLT FLANGE, 5/16 X 3/4 G5
19	1	GM406	JUNCTION BOX CORD
20	1	77617	JUNCTION BOX KIT
21	2	YBFB08075	BOLT FLANGE, 1/4 X 3/4 G5
22	2	YNFG08010	NUT FLANGE , 1/4 GF
23	1	77616	ELECTRIC HARNESS, POWER
24	1	85120	SCALE BRACKET, POST
25	1	YBFB10175	BOLT FLANGE, 5/16 X 1-3/4 G5
26	1	85125	SCALE BRACKET

# FIGURE 39

## 3410 SCALE OPTION

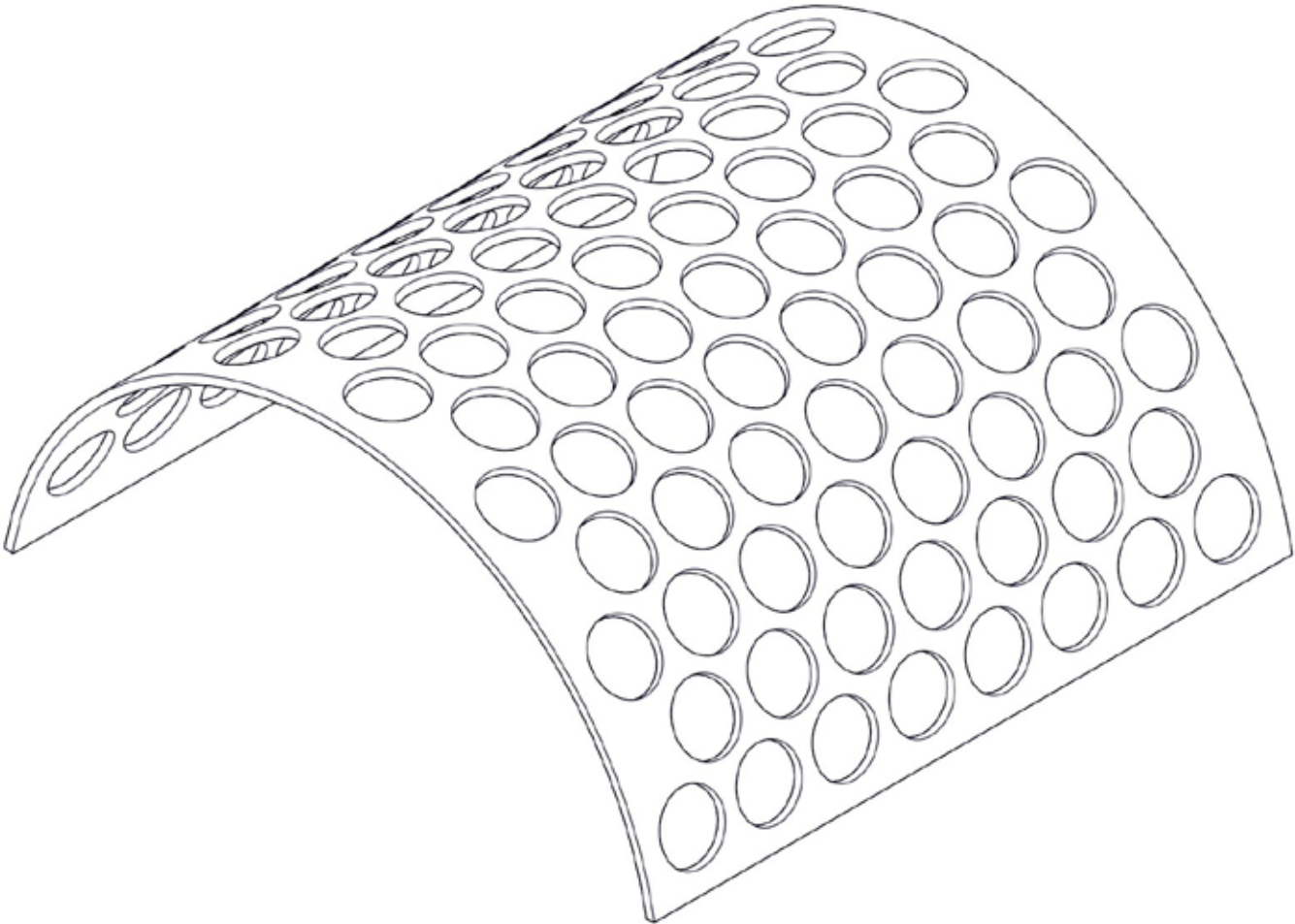


## **FIGURE 39**

### **3410 SCALE OPTION**

<b><u>ITEM</u></b>	<b><u>QTY</u></b>	<b><u>PART#</u></b>	<b><u>DESCRIPTION</u></b>
1	1	85110	SCALE BRACKET
2	2	GM401	CONTROL BOX MOUNT
3	2	YBPU10005	U-BOLT, 5/16-18 X 1-1/2
4	2	GM402	SPINDLE LOAD CELL
5	1	GM403	HITCH LOAD CELL
6	1	GM466	SCALE DISPLAY W/ALARM
7	1	77616	ELECTRIC HARNESS, POWER
8	1	YNHX08005	NUT HEX, 1/4 G5
9	1	GM407	JUNCTION BOX
10	1	GM408	SCALE HANGER BRACKET
11	1	16SV269	TRACTOR CONTROL HARNESS
12	1	YBHH08100	BOLT HEX, 1/4 X 3/4 G5
13	1	YBFB12400	BOLT FLANGE, 3/8 X 4 G5
14	9	YNFG10005	NUT FLANGE, 5/16 GF
15	1	YWLO08005	WASHER LOCK, 1/4
16	1	YNFG12006	NUT FLANGE, 3/8 GF
17	1	HGV162	RUBBER WIRE HOLDER, 1/2
18	4	YBFB10075	BOLT FLANGE, 5/16 X 3/4 G5
19	1	GM406	JUNCTION BOX CORD
20	1	77617	JUNCTION BOX KIT
21	2	YBFB08075	BOLT FLANGE, 1/4 X 3/4 G5
22	2	YNFG08010	NUT FLANGE , 1/4 GF
23	1	77616	ELECTRIC HARNESS, POWER
24	1	85120	SCALE BRACKET, POST
25	1	YBFB10175	BOLT FLANGE, 5/16 X 1-3/4 G5
26	1	85125	SCALE BRACKET
27	1	57399	HORN-ALARM PACK W/BRACKET

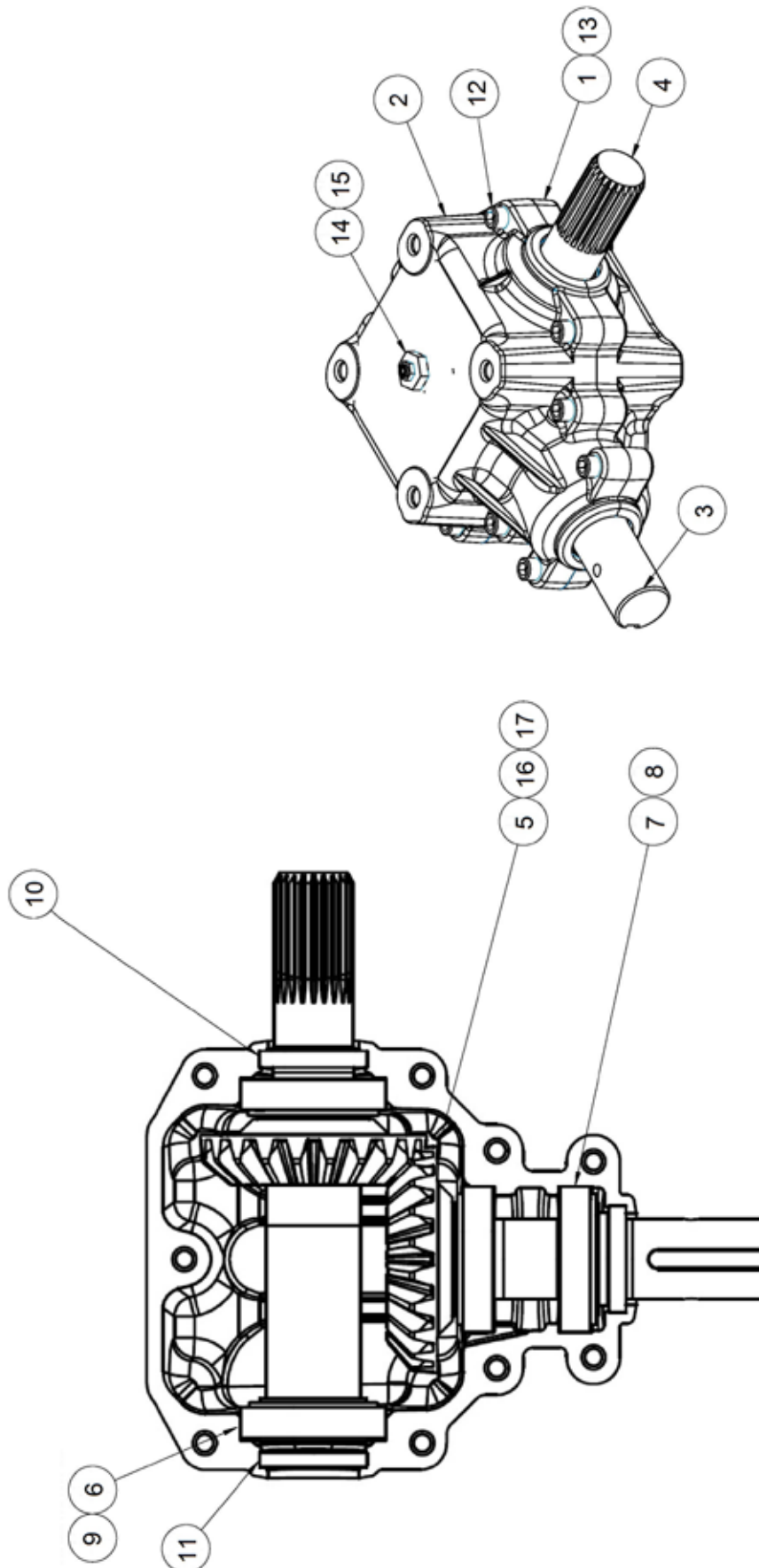
**FIGURE 40**  
**MILL SCREEN OPTIONS**



## FIGURE 40 MILL SCREEN OPTIONS

<u>ITEM</u>	<u>QTY</u>	<u>PART#</u>	<u>DESCRIPTION</u>
*	1	GMOSCRN18	1/8" MILL SCREEN
*	1	GMOSCRN316	3/16" MILL SCREEN
*	1	GMOSCRN14	1/4" MILL SCREEN
*	1	GMOSCRN516	5/16" MILL SCREEN
*	1	GMOSCRN38	3/8" MILL SCREEN
*	1	GMOSCRN12	1/2" MILL SCREEN
*	1	GMOSCRN58	5/8" MILL SCREEN
*	1	GMOSCRN34	3/4" MILL SCREEN
*	1	GMOSCRN1	1" MILL SCREEN
*	1	GMOSCRN114	1-1/4" MILL SCREEN
*	1	GMOSCRN112	1-1/2" MILL SCREEN
*	1	GMOSCRN2	2" MILL SCREEN

**FIGURE 41**  
**GEARBOX AND COMPONENTS**

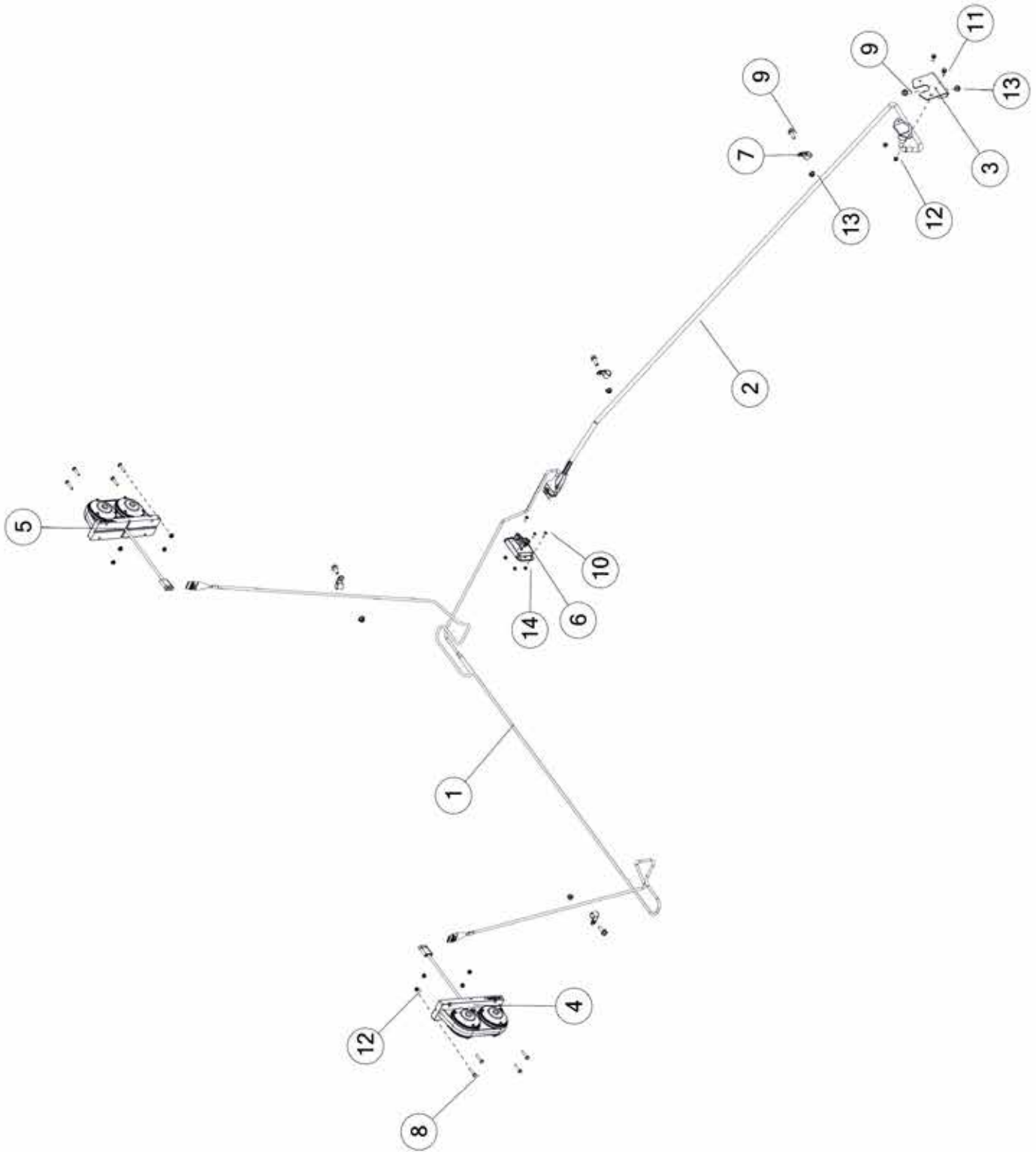


# FIGURE 41

## GEARBOX AND COMPONENTS

<u>ITEM</u>	<u>QTY</u>	<u>PART#</u>	<u>DESCRIPTION</u>
1	1	18VB20	BOTTOM HOUSING
2	1	86140	TOP HOUSING
3	1	88893	SHAFT
4	1	88894	SHAFT
5	1	88895	GEAR
6	1	G53	BEARING CONE
7	1	88896	BEARING CONE
8	1	88897	BEARING CUP
9	1	18VB25	RACE
10	2	18VB34	SEAL
11	1	86150	SEAL
12	9	YSHS12008	BOLT SOCKET, 3/8 X 1-1/2 G8
13	1	HGV95	PLUG, 1/2 NPT
14	1	SD133	BUSHING, 1/2 TO 1/8
15	1	86156	PLUG VENT, 1/8
16	1	88898	SPACER
17	1	88899	KEY

**FIGURE 42**  
**LIGHTS**





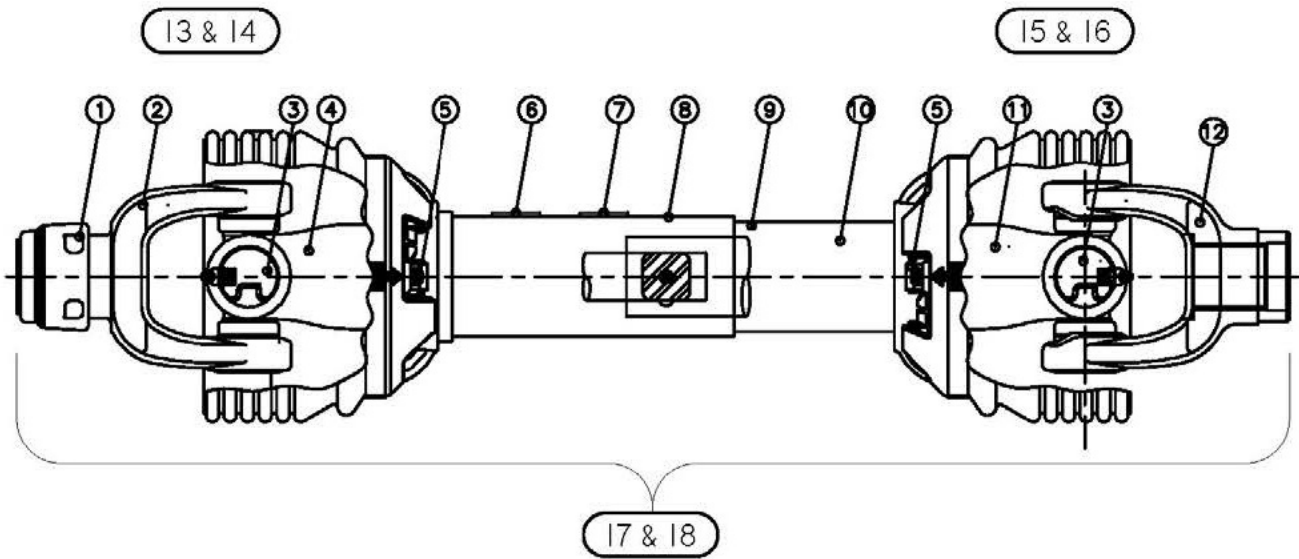
## **FIGURE 42** **LIGHTS**

<b><u>ITEM</u></b>	<b><u>QTY</u></b>	<b><u>PART#</u></b>	<b><u>DESCRIPTION</u></b>
1	1	84248	ELEC HARNESS, TAILLIGHT
2	1	84272	LIGHT HARNESS, FRONT
3	1	BFR659	LIGHT BRACKET
4	1	77924	TAIL LIGHT RH
5	1	77923	TAIL LIGHT LH
6	1	69908	CONTROL BLINKER MODULE
7	4	HGV72	WIRE CLAMP, 3/4
8	8	YBHH08030	BOLT HEX, 1/4 X 1-1/4 G2
9	5	YBFB12003	BOLT FLANGE, 3/8 X 1 G5 ZC
10	3	YSPN64005	SCREW PAN HEAD, #10-24 X 5/8
11	2	YBFB08075	BOLT FLANGE, 1/4 X 3/4 G5
12	10	YNFG08010	NUT FLANGE , 1/4 GF
13	5	YNFG12006	NUT FLANGE, 3/8 GF
14	3	YNNY64005	NUT HEX, NYLON INSERT LOCKNUT, #10

# FIGURE 43

## 540 RPM PTO OPTION

43-755, 1004 & 1007-1009 - 01 1007 1003



## FIGURE 43

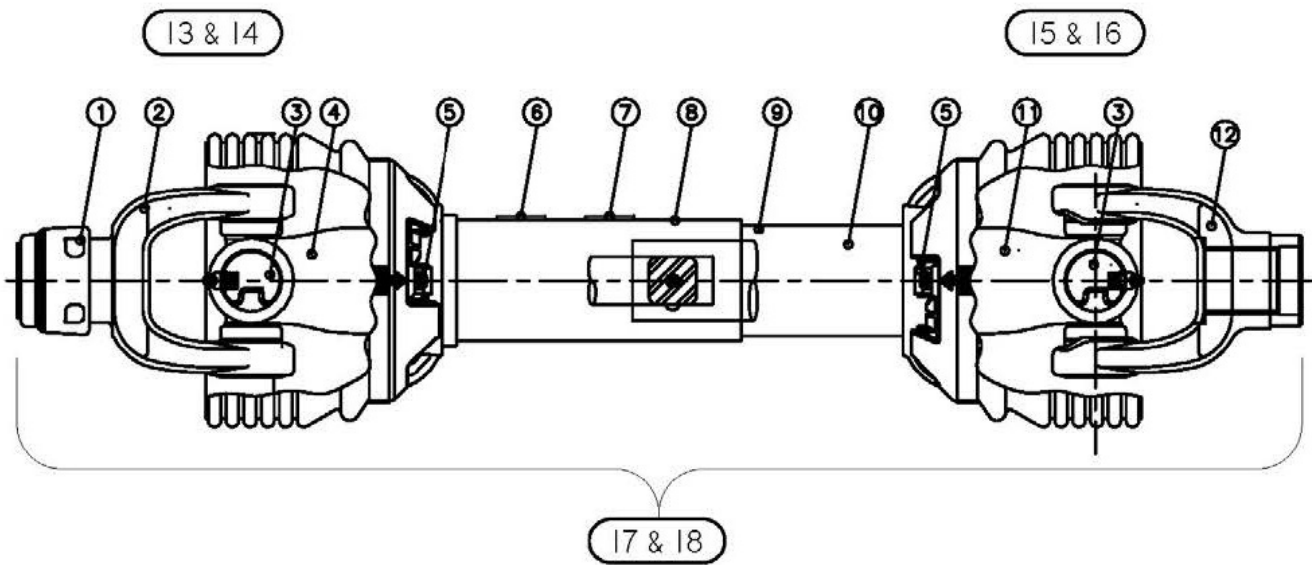
### 540 RPM PTO OPTION

<u>ITEM</u>	<u>QTY</u>	<u>PART#</u>	<u>DESCRIPTION</u>
1	1	16SV274	SAFETY SLIDE LOCK REPAIR KIT, 1-3/8
2	1	GM374	SAFETY SLIDE LOCK YOKE ASSY 540 RPM
3	2	GM376	55R CROSS & BEARING KIT
4	1	GM377	YOKE & SHAFT
5	2	GM378	NYLON REPAIR KIT
6	1	16SV283	DECAL, PTO SAFETY
7	1	GM379	SAFETY SIGN 540 RPM
8	1	GM381	OUTER GUARD
9	1	GM382	INNER GUARD
10	1	16SV286	SAFETY SIGN (C.V INSTRUCTIONAL DECAL)
11	1	GM383	YOKE, TUBE & SLIP SLEEVE
12	1	GM384	YOKE
13	1	GM385	JOINT & SHAFT HALF ASSY W/GUARD
14	1	GM386	JOINT & SHAFT HALF ASSY
15	1	GM387	JOINT & TUBE HALF ASSY W/GUARD
16	1	GM388	JOINT & TUBE HALF ASSY
17	1	GM389	COMPLETE PTO 540 RPM
18	1	N/A	COMPLETE PTO 1000 RPM 1-3/8
*	1	S402	MANUAL - AG IMPLEMENT DRIVELINES

# FIGURE 44

## 1000 RPM PTO OPTION

20-1000-1000 20-1000-1000 20-1000-1000

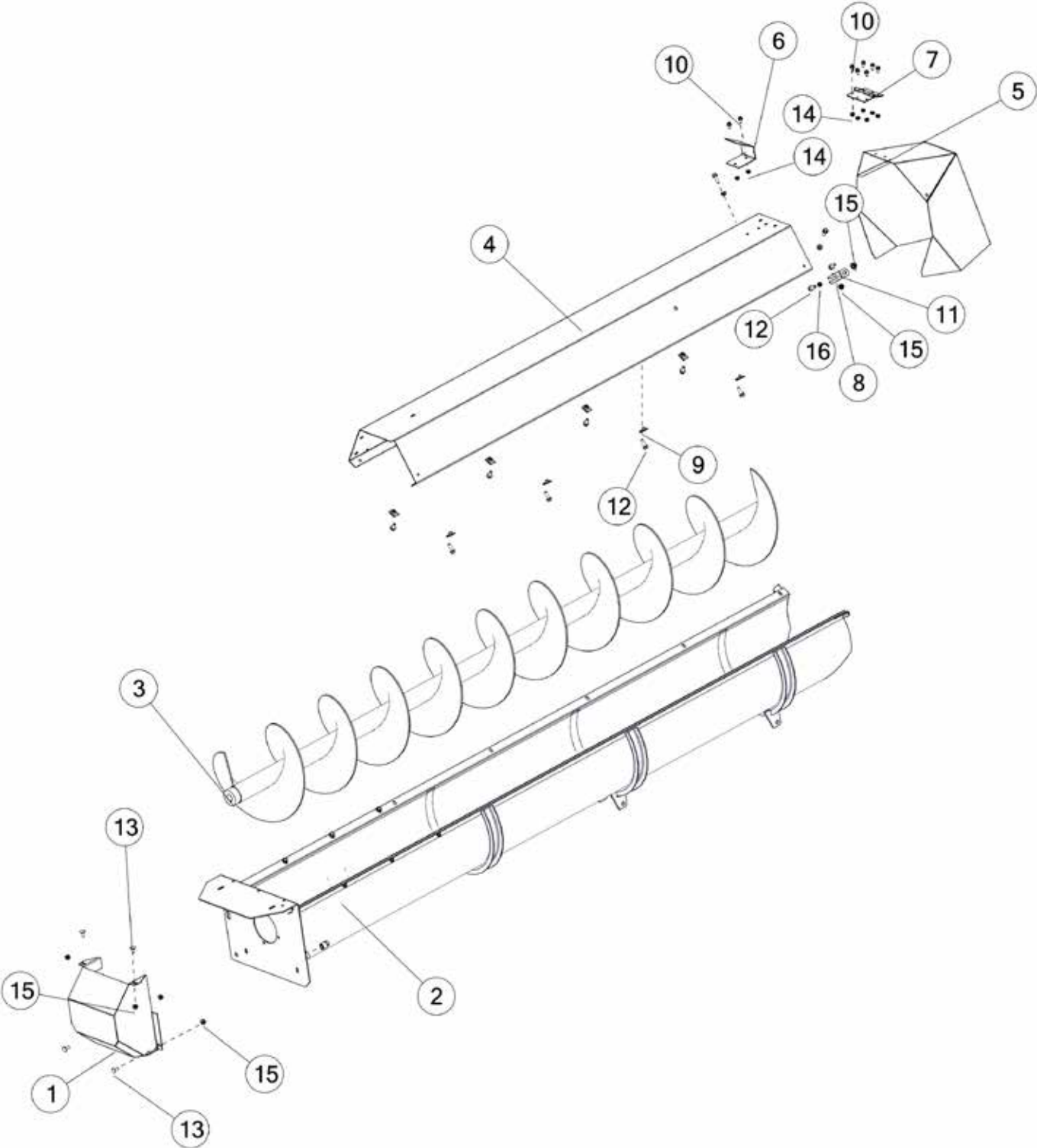


## FIGURE 44

### 1000 RPM PTO OPTION

<u>ITEM</u>	<u>QTY</u>	<u>PART#</u>	<u>DESCRIPTION</u>
1	1	16SV274	SAFETY SLIDE LOCK REPAIR KIT, 1-3/8
2	1	GM375	SAFETY SLIDE LOCK YOKE ASSY 1000 RPM
3	2	GM376	55R CROSS & BEARING KIT
4	1	GM377	YOKE & SHAFT
5	2	GM378	NYLON REPAIR KIT
6	1	16SV283	DECAL, PTO SAFETY
7	1	GM380	SAFETY SIGN 1000 RPM
8	1	GM476	OUTER GUARD (1000 RPM)
9	1	GM382	INNER GUARD
10	1	16SV286	SAFETY SIGN (C.V INSTRUCTIONAL DECAL)
11	1	GM383	YOKE, TUBE & SLIP SLEEVE
12	1	GM384	YOKE
13	1	GM477	JT. & SHAFT HALF ASSM. W/GUARD 1000 RPM
14	1	GM478	JT. & SHAFT HALF ASSM. 1000 RPM
15	1	GM387	JOINT & TUBE HALF ASSY W/GUARD
16	1	GM388	JOINT & TUBE HALF ASSY
17	1	N/A	#N/A
18	1	GM390	COMPLETE PTO 1000 RPM 1-3/8"
*	1	S402	MANUAL-AG IMPLEMENT DRIVELINES

**FIGURE 45**  
**INFEED AUGER**

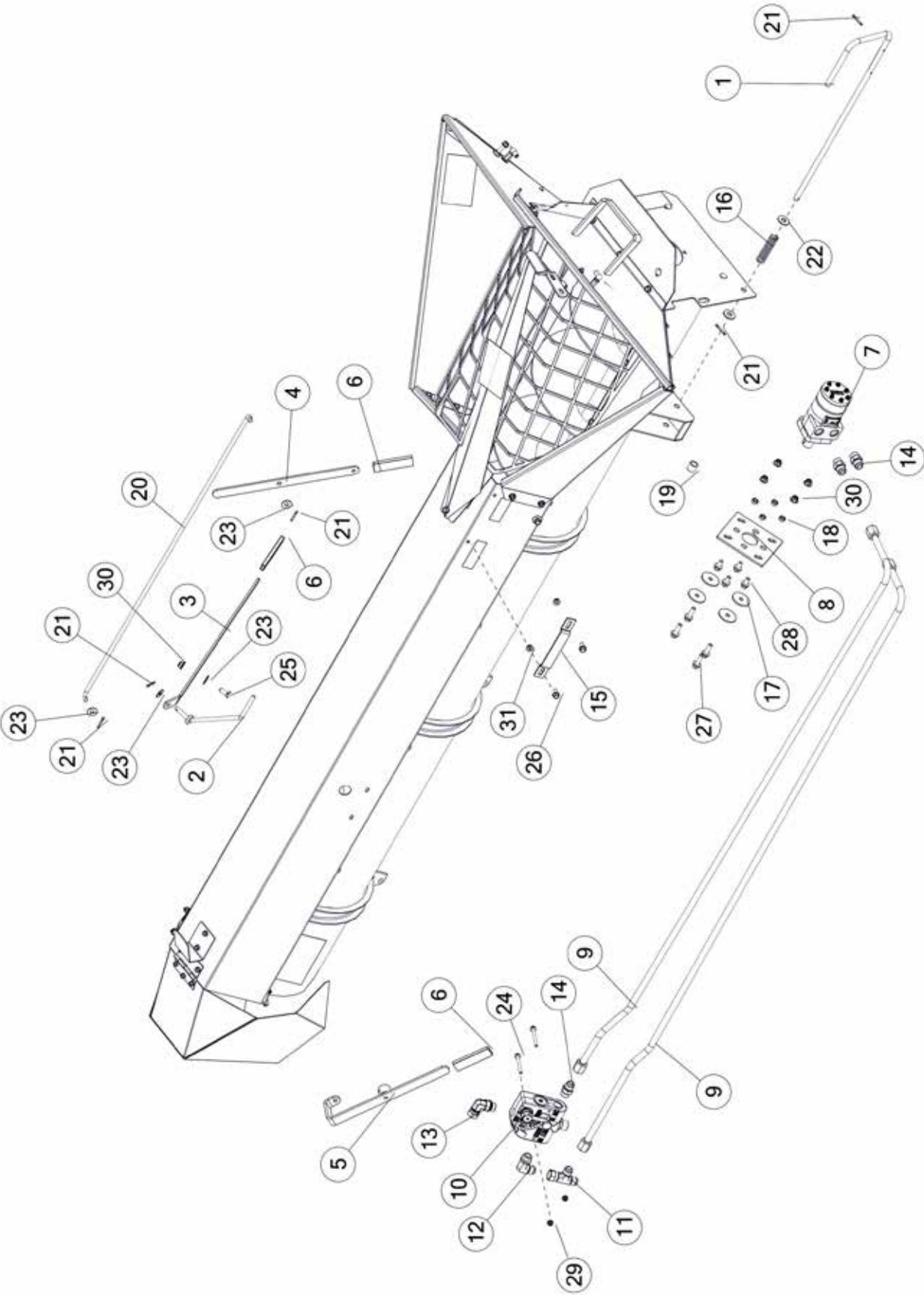


## FIGURE 45

### INFEED AUGER

<u>ITEM</u>	<u>QTY</u>	<u>PART#</u>	<u>DESCRIPTION</u>
1	1	GM178	SHIELD
2	1	74298	TROUGH ASSY
3	1	74335	AUGER INFEED
4	1	74312	CONVEYOR COVER
5	1	GM200	EXTENSION TROUGH ASSY
6	1	GM198	TROUGH EXTENSION STOP
7	1	GM126	TROUGH COVER HINGE
8	1	GM199	COVER HOLDER
9	8	84124	U NUT, 5/16-18, .15 X .562
10	8	YBFB08005	BOLT FLANGE, 1/4 X 1/2 G5
11	1	YBFB10075	BOLT FLANGE, 5/16 X 3/4 G5
12	11	YBFB10001	BOLT FLANGE, 5/16 X 1 G5
13	4	YBCR10030	BOLT CARRIAGE, 5/16-18 X 3/4 G5 ZC
14	10	YNFG08010	NUT FLANGE, 1/4 GF
15	5	YNFG10005	NUT FLANGE, 5/16 GF
16	1	YNHX10010	NUT HEX, 5/16-18 NA G5 ZC

**FIGURE 46**  
**INFEED AUGER**





## **FIGURE 46**

### **INFEED AUGER**

<b><u>ITEM</u></b>	<b><u>QTY</u></b>	<b><u>PART#</u></b>	<b><u>DESCRIPTION</u></b>
1	1	84032	HANDLE LATCH
2	1	GM196	FLOW CONTROL ROD
3	1	GM371	CONTROL HANDLE
4	1	GM195	HANDLE
5	1	GM197	FLOW CONTROL HANDLE
6	2	GM370	HANDLE GRIP
7	1	GM61	MOTOR
8	1	GM181	MOUNT MOTOR
9	2	GM5	RESERVOIR
10	1	GM20	FLOW CONTROL
11	1	GM55	FITTING, TEE, 10JIC X 10JIC X 10JIC
12	1	GM56	FITTING, 90, 10JIC X 10ORB
13	1	85263	FITTING 90, -10 JIC, 10 ORB
14	3	GM57	FTG,ST,10JIC,10ORB,STL
15	1	GM194	HANDLE GUIDE
16	1	17G128	SPRG, COIL, 3.36, COMP
17	4	YWCU12005	WASHER CUSTOM, FLAT, .435ID. X 1-7/8OD. X .125 ZINC
18	4	GM180	DOOR PIVOT
19	1	0161-PI-5	HANDLE GUIDE
20	1	0161-RD-2	ROD FLOW CONTROL
21	5	YPCT05005	COTTER PIN, 5/32 X 1
22	1	YWFL16005	WASHER, FLAT, 1/2 USS
23	4	YWFL12005	WASHER, FLAT, 3/8 USS
24	2	YBFB08250	BOLT FLANGE, 1/4 X 2-1/2 G5
25	1	YBCR12010	BOLT CARRIAGE, 3/8-16 X 1 G5 ZC
26	2	YBFB10075	BOLT FLANGE, 5/16 X 3/4 G5
27	4	YBFB12125	BOLT FLANGE, 3/8 X 1-1/4 G5
28	4	YBFB12075	BOLT FLANGE, 3/8 X 3/4 G5
29	2	YNFG08010	NUT FLANGE, 1/4 GF
30	5	YNFG12006	NUT FLANGE, 3/8 GF
31	2	YNFG10005	NUT FLANGE, 5/16 GF



# CHANGE NOTES

**H&S MFG. CO.**

products approved

for the

**FEMA**

**SEAL OF QUALITY**

