



**GM9117  
GRINDER  
MIXER  
PARTS BOOK**

Part #90264 HSMFG 102521 Rev. #02 Starting Ser. #221GX17001

**STRONG HERITAGE - STRONG PEOPLE - STRONGER FUTURE**



# TABLE OF CONTENTS

<b>FIGURE #</b>	<b>CONTENTS</b>	<b>PAGE #</b>
*	INSTRUCTIONS FOR ORDERING PARTS	1
1	HITCH AND JACK COMPONENTS	2-3
2	FRONT SHIELD AND COMPONENTS	4-5
3	FLYWHEEL AND COMPONENTS	6-7
4	ROLLER CHAIN AND COMPONENTS	8-9
5	FENDER AND TANK SUPPORT RH	10-11
6	FENDER AND TANK SUPPORT LH	12-13
7	WHEEL AND HUB ASSEMBLY	14-15
8	INFEED COVER AND COMPONENTS	16-17
9	INFEED CHUTE AND COMPONENTS	18-19
10	HAMMERMILL AND COMPONENTS	20-21
11	HAMMERMILL PANELS	22-23
12	SCREEN HOLDER AND COMPONENTS	24-25
13	GREASE KIT	26-27
14	FAN BLOWER AND COMPONENTS	28-29
15	HAMMERMILL ASSEMBLY	30-31
16	BLOWER COMPONENTS	32-33
17	HOUSING SUPPLEMENT HOPPER AND COMPONENTS	34-35
18	TANK COVER AND COMPONENTS	36-37
19	TANK WINDOWS AND COMPONENTS	38-39
20	MIXING AUGER AND COMPONENTS	40-41
21	YOKE AND TUBE COMPONENTS	42-43
22	LADDER AND COMPONENTS	44-45
23	UNLOADING AUGER AND COMPONENTS	46-47
24	VERTICAL AUGER TUBE AND COMPONENTS	48-49
25	VERTICAL AUGER AND COMPONENTS	50-51
26	AUGER HOUSING AND COMPONENTS	52-53
27	GATE AND COMPONENTS	54-55
28	HORIZONTAL AUGER AND COMPONENTS	56-57
29	TRANSFER AUGER AND COMPONENTS	58-59
30	DRIVE PULLEY AND COMPONENTS	60-63
31	HYDRAULICS	64-67
32	HYDRAULIC TANK	68-69
33	CONVENTIONAL SWINGING INTAKE AUGER OPTION (GMOCSIA)	70-71
34	CONVENTIONAL SWINGING INTAKE AUGER OPTION (GMOCSIA)	72-73
35	CONVENTIONAL SWINGING INTAKE AUGER OPTION (GMOCSIA)	74-75
36	6' FOLDING EXTENSION OPTION (GMOEXT6)	76-77
37	3' FOLDING EXTENSION OPTION (GMOEXT3)	78-79
38	REAR SUPPLEMENT HOPPER OPTION (GMORSH)	80-81



**GM9117**



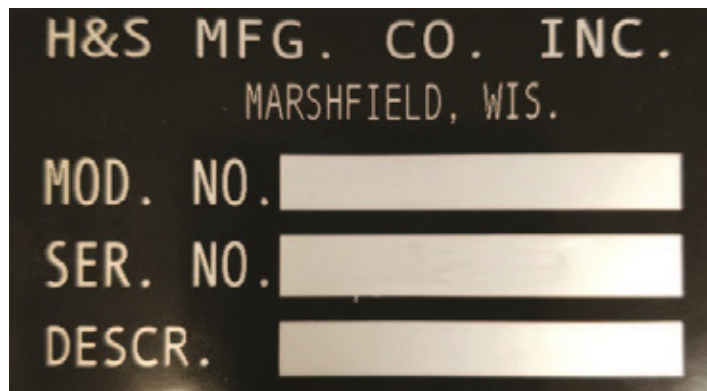
# INSTRUCTIONS FOR ORDERING PARTS

All service parts should be ordered through your authorized H&S dealer. Your Dealership will be able to give you faster service if you will provide them with the following:

1. Model & Serial Number - Both can be located on the bottom of the front guard.
2. All references to left or right apply to the machine as viewed from the rear.
3. Parts should not be ordered from illustration only. Please order complete part number.
4. If your dealer has to order parts, give shipping instructions:

VIA truck - large pieces (please specify local truck lines)

VIA United Parcel Service (include full address)



PLEASE RECORD NUMBERS FOR YOUR UNIT FOR QUICK REFERENCE

## ABOUT IMPROVEMENTS

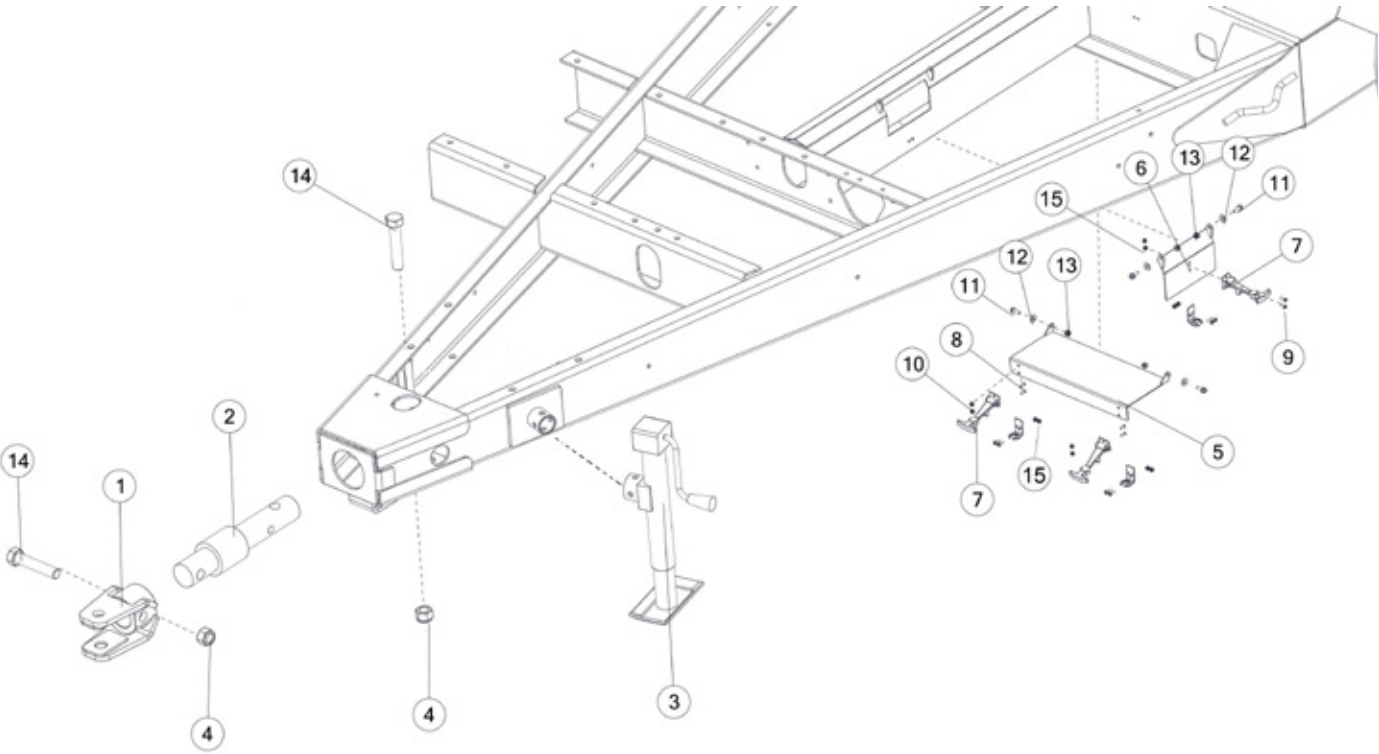
H&S IS CONTINUALLY STRIVING TO IMPROVE ITS PRODUCTS

We must, therefore, reserve the right to make improvements or changes whenever it becomes practical to do so, without incurring any obligation to make changes or additions to the equipment previously sold.





# FIGURE 1 HITCH AND JACK COMPONENTS





# FIGURE 1

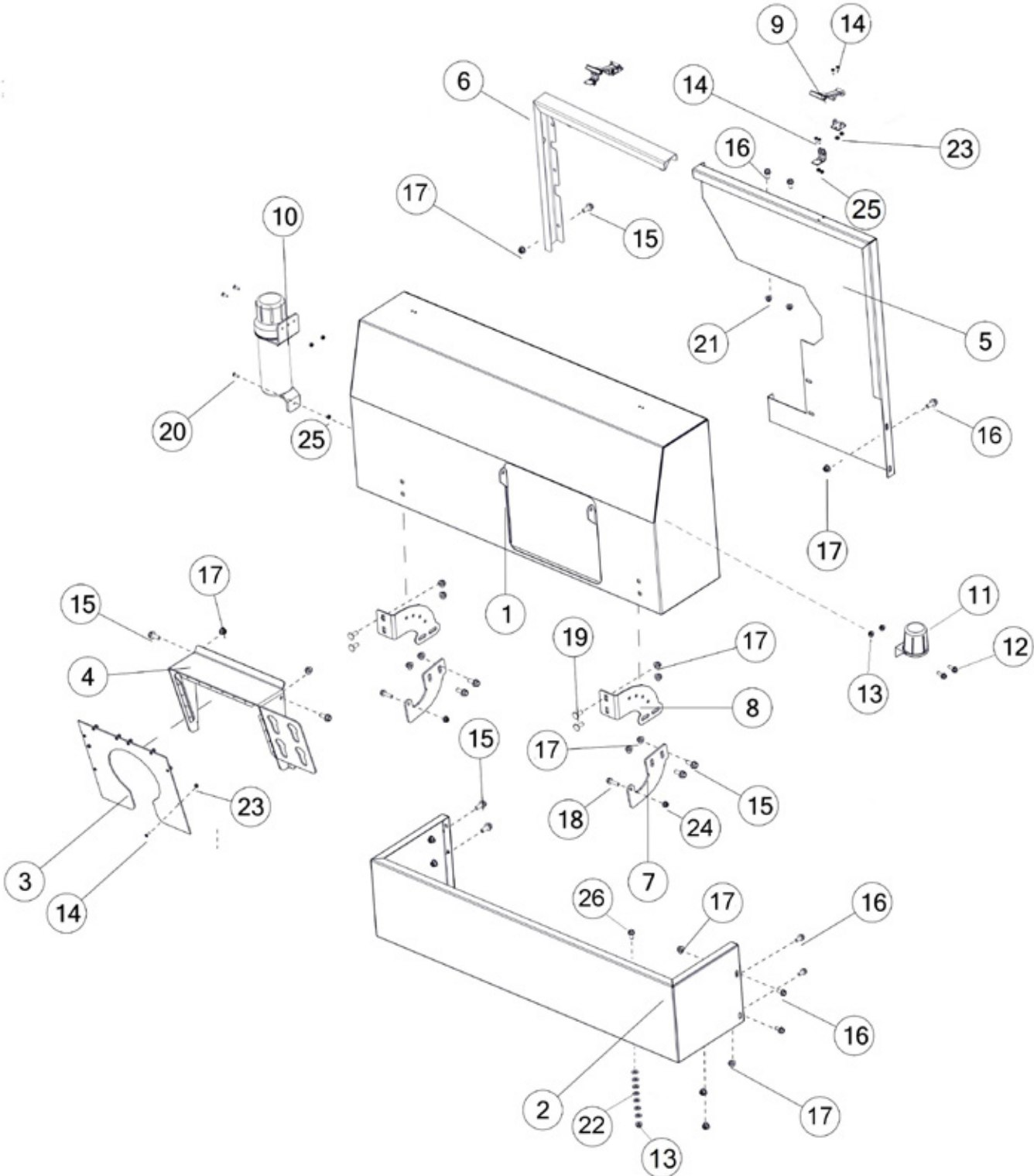
## HITCH AND JACK COMPONENTS

REF #	PART #	DESCRIPTION	QTY
1	GM74	HITCH CLEVIS	1
2	GM403	HITCH LOAD CELL	1
3	GM396	JACK	1
4	YNNY32005	NUT HEX, 1-8 LKNY G2 ZC	2
5	89717B	ACCESS COVER W/DECALS	1
6	89713	SHAFT COVER	1
7	X233	LATCH ASSEMBLY	3
8	YSFM62005	FLAT HEAD CAP SCREW, CROSS #8-32 X 1/2	4
9	YSPP64005	PHILLIPS PAN HEAD TYPE, 10-32 X 1/2	8
10	YNNY62005	NUT HEX, NYLON INSERT LOCKNUT, 8	2
11	YBFB08075	BOLT FLANGE 1/4 X 3/4 G5	4
12	YWFL08005	WASHER, FLAT, 1/4 USS	4
13	YNFG08010	NUT FLANGE, 1/4 GF	4
14	YBHH32020	BOLT HEX, 1-8 X 5 G5	2
15	YNNY64006	NUT HEX, 10-32 SS	10





# FIGURE 2 FRONT SHIELD AND COMPONENTS







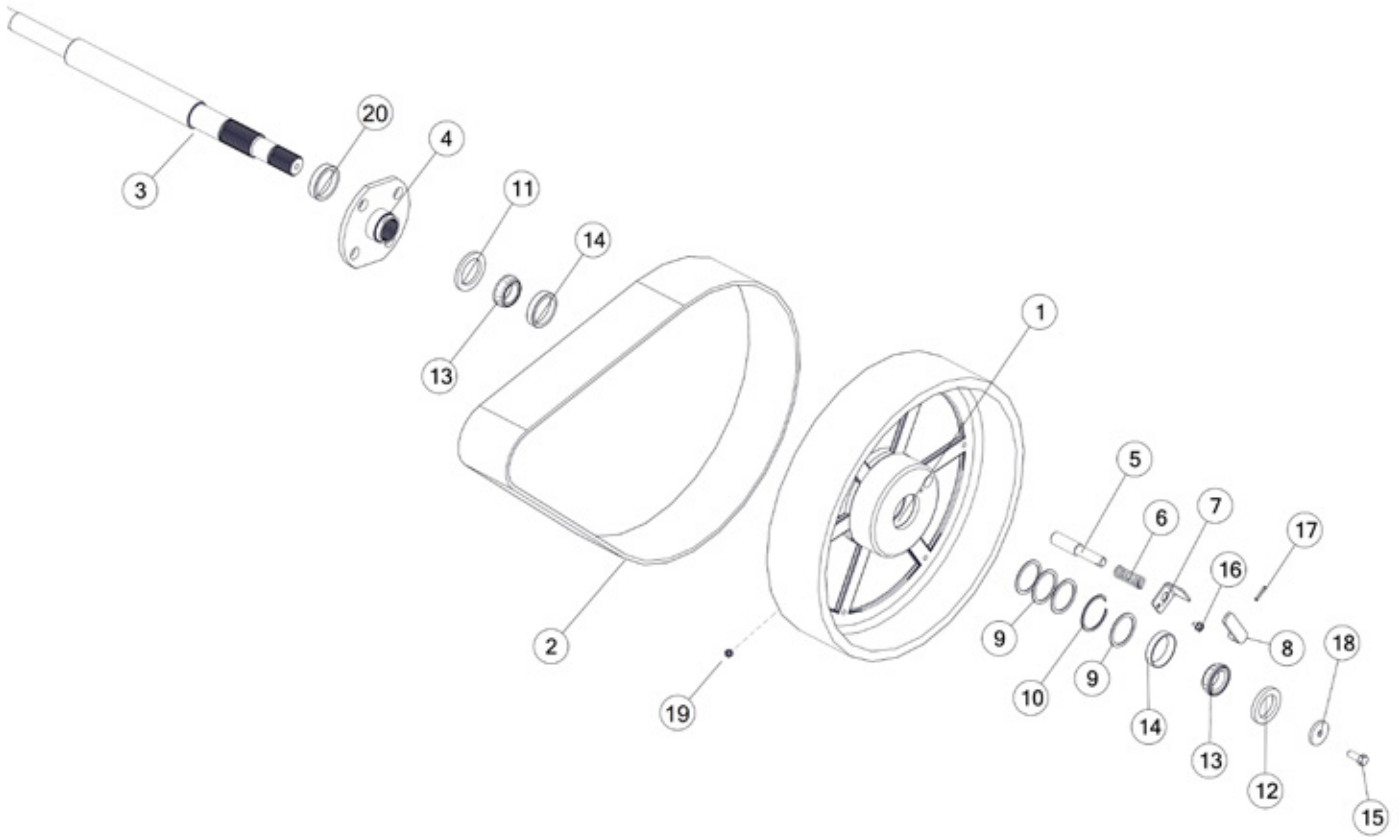
## FIGURE 2 FRONT SHIELD AND COMPONENTS

REF #	PART #	DESCRIPTION	QTY
1	80604B	FRONT SHIELD W/DECALS	1
2	80592B	FLY WHEEL SHIELD LOWER W/DECALS	1
3	84534	POLY PTO GUARD	1
4	80606	SHIELD PTO GUARD	1
5	80575	SHIELD, 30.4 X 30.0 X 0.06, FLYWHEEL BACK	1
6	GM328	SHIELD, TOP SEAL	1
7	GM529	SHIELD FRT HNGE BTM, 7X4.63X.19	1
8	80608	SHIELD FRONT HINGE TOP	1
9	X233	LATCH ASSEMBLY	2
10	S522	MANUAL HOLDER	1
11	CHM38	PLUG STORAGE	1
12	YBFB08075	BOLT FLANGE, 1/4 X 3/4 G5	2
13	YNFG08010	NUT FLANGE, 1/4	3
14	YSPP64005	SCREW PAN HEAD, #10-32 X 1/2	16
15	YBFB12003	BOLT FLANGE, 3/8 X 1 G5	9
16	YBFB10075	BOLT FLANGE, 5/16 X 3/4 G5	6
17	YNFG12006	NUT FLANGE, 3/8 GF	17
18	YBFB10125	BOLT FLANGE, 5/16 X 1-1/4 G5	2
19	YBCR12010	BOLT CARRIAGE, 3/8-16 X 1 G5 ZC	4
20	YSPN64005	MACHINE PPHS, #10-24 X 5/8 ZINC	3
21	YWFL12010	WASHER, FLAT, 3/8 SAE G8 YELLOW ZINC	2
22	YWFL08010	WASHER FLAT, 1/4 G8	7
23	YNNY64006	NUT HEX, 10-32, SS	16
24	YNFG10005	NUT FLANGE, 5/16 GF	2
25	YNNY64005	NUT HEX, #10-24, LKNY G2 ZC	3
26	YBFB08125	BOLT FLANGE, 1/4 X 1-1/4 G5	1





# FIGURE 3 FLYWHEEL AND COMPONENTS





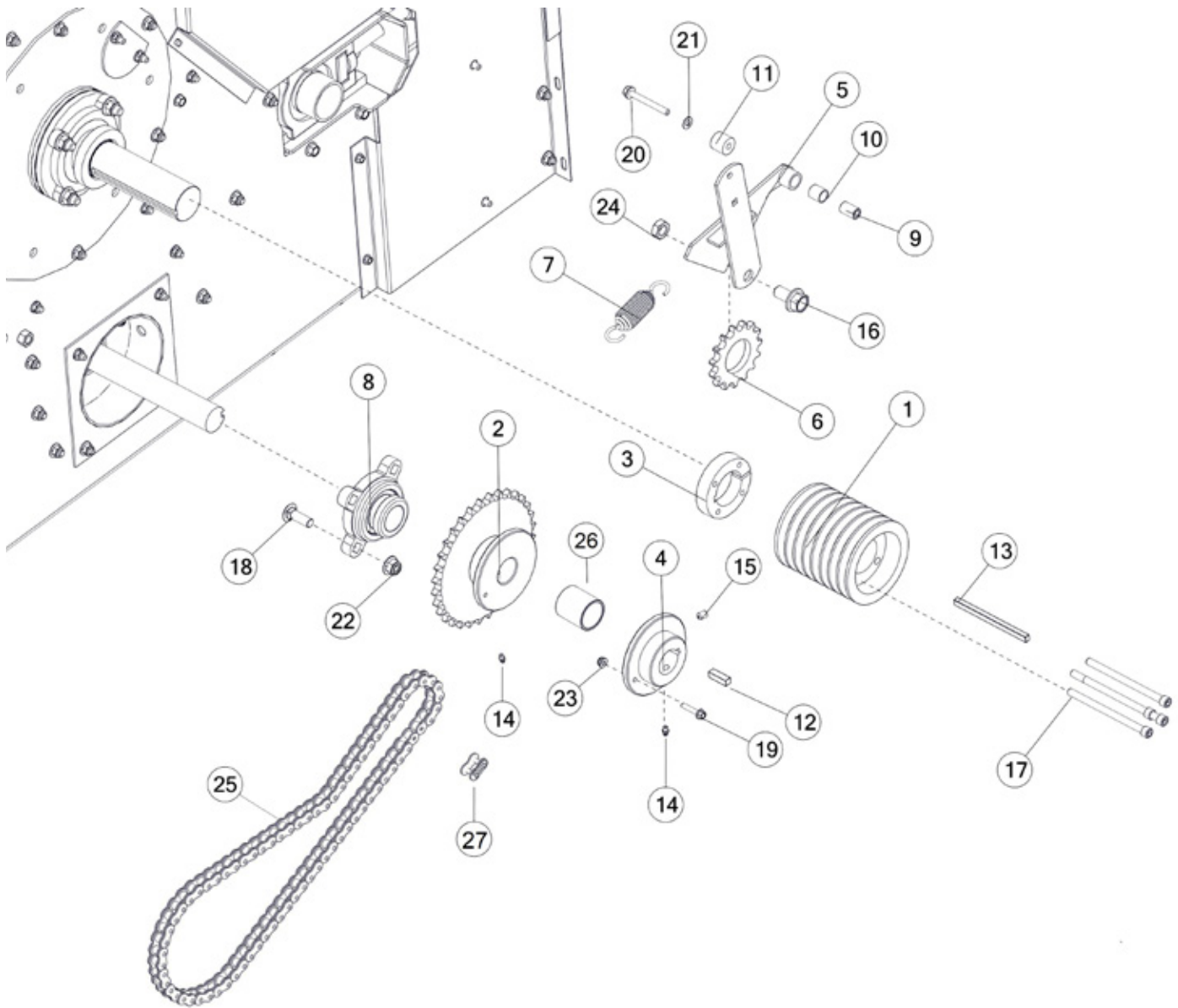
# FIGURE 3 FLYWHEEL AND COMPONENTS

REF #	PART #	DESCRIPTION	QTY
1	GM41	FLYWHEEL	1
2	GM129	V BELT	1
3	80793	MAIN DRIVE SHAFT	1
4	GM113	FLYWHEEL CLUTCH	1
5	GM111	CLUTCH PIN	1
6	GM411	SPRING	1
7	GM423	FLYWHEEL CLUTCH BRACKET	1
8	GM110	CLUTCH HANDLE	1
9	GM109	BEARING SHIM	4
10	GM108	SNAP RING	1
11	GM112	SEAL	1
12	GM105	SEAL	1
13	GM106	BEARING, OUTER	2
14	GM107	RACE	2
15	YBHH16046	BOLT HEX, 1/2-20 X 1-1/4 G5 ZC	1
16	YBFB10002	BOLT FLANGE, 5/16 X 1/2 G5	1
17	YPEX08010	EXPANSION PIN, 1/4 X 1-1/4	1
18	GM415	INPUT YOKE WASHER	1
19	DWM133	GREASE ZERK, 1/8, 45	1
20	80798	SPACER, .831	1





# FIGURE 4 ROLLER CHAIN AND COMPONENTS





# FIGURE 4

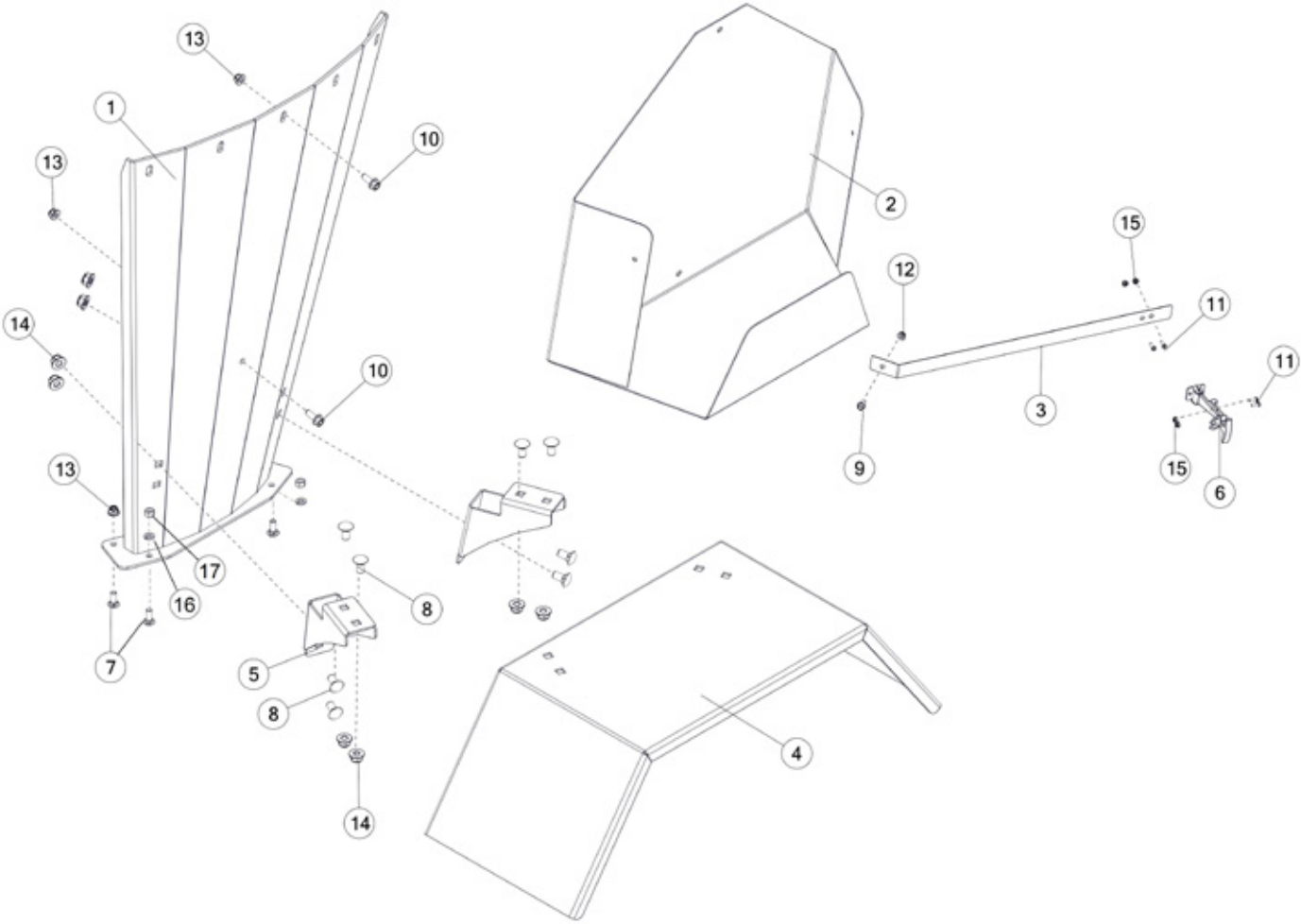
## ROLLER CHAIN AND COMPONENTS

REF #	PART #	DESCRIPTION	QTY
1	79213	MILL SHEAVE 540 RPM	1
2	87393	SINGLE SPROCKET, 32	1
3	79196	SPLIT BUSHING, TAPER LOCK	1
4	87390	BACK SHEAR HUB	1
5	GM253	AUGER TENSIONER	1
6	GM251	MAIN DRIVE IDLER	1
7	GM410	EXTENSION SPRING	1
8	78670	BALL BEARING, 1-1/2	1
9	GM299	TENSIONER PIVOT	1
10	GM296	IDLER PIVOT BUSHING, 3/4OD X 5/8ID X 3/4	1
11	84210	SPACER, 0.875, TENSIONER	1
12	68856	SQUARE KEY, 3/8 X 1-1/4	1
13	84289	RECT KEY, 3/8 X 5/16 X 5-1/4	1
14	G89	STRAIGHT ZERK 1/4-28 X 90	2
15	YSSO12005	SCREW SET, SOCKET, 3/8 X 1/2	1
16	YBFB20125	BOLT FLANGE, 5/8 X 1-1/4 G5	1
17	YSHS12550	BOLT SOCKET, 3/8-16 X5-1/2 G8 BO	4
18	YBCR16010	BOLT CARRIAGE, 1/2 X 1-1/2 G5	4
19	YBFB08125	BOLT FLANGE, 1/4 X 1-1/4 G5	1
20	YBFB10275	BOLT FLANGE, 5/16 X 2-3/4 G5	1
21	YWFL10010	WASHER FLAT, 5/16 G8	1
22	YNFG16003	NUT FLANGE, 1/2 GF	4
23	YNFG08010	NUT FLANGE, 1/4 GF	1
24	YNJM20005	NUT JAM, 5/8 A	1
25	84428	ROLLER CHAIN, 60 X 74	1
26	89750	BUSHING	1
27	90826	CONNECTOR LINK	1





# FIGURE 5 FENDER AND TANK SUPPORT RH





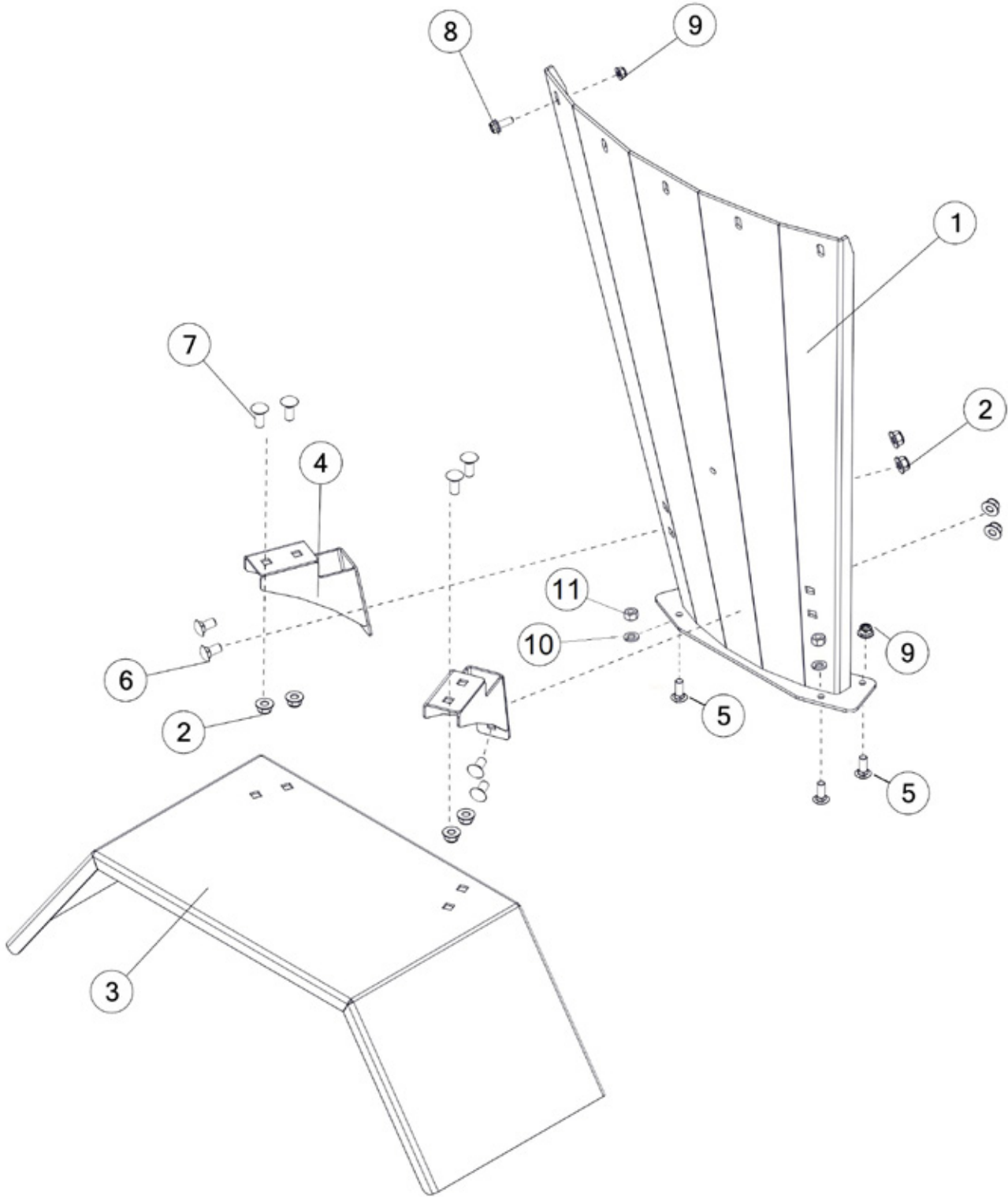
# FIGURE 5 FENDER AND TANK SUPPORT RH

REF #	PART #	DESCRIPTION	QTY
1	GM76	TANK SIDE SUPPORT	1
2	90159B	SCREEN HOLDER	1
3	GM399	SCREEN HOLDER STRAP	1
4	GM333	FENDER W/DECAL	1
5	85662	FENDER SUPPORT BRKT	2
6	X233	LATCH ASSEMBLY	1
7	YBCR12010	BOLT CARRIAGE, 3/8 X 1 G5	7
8	YBCR16005	BOLT CARRIAGE, 1/2 X 1 G5	8
9	YBFB08005	BOLT FLANGE, 1/4 X 1/2 G5	1
10	YBFB12003	BOLT FLANGE, 3/8 X 1 G5 ZC	6
11	YSPP62005	PAN HEAD PHILLIPS, #8 X 1/2	4
12	YNFG08010	NUT FLANGE, 1/4 GF	1
13	YNFG12006	NUT FLANGE, 3/8 GF	10
14	YNFG16003	NUT FLANGE, 1/2 GF	8
15	YNNY62005	NUT HEX, NYLON INSERT LOCKNUT, #8	4
16	YWLO12005	WASHER LOCK, 3/8	2
17	YNHX12005	NUT HEX, 3/8 G2	2






# FIGURE 6 FENDER AND TANK SUPPORT LH



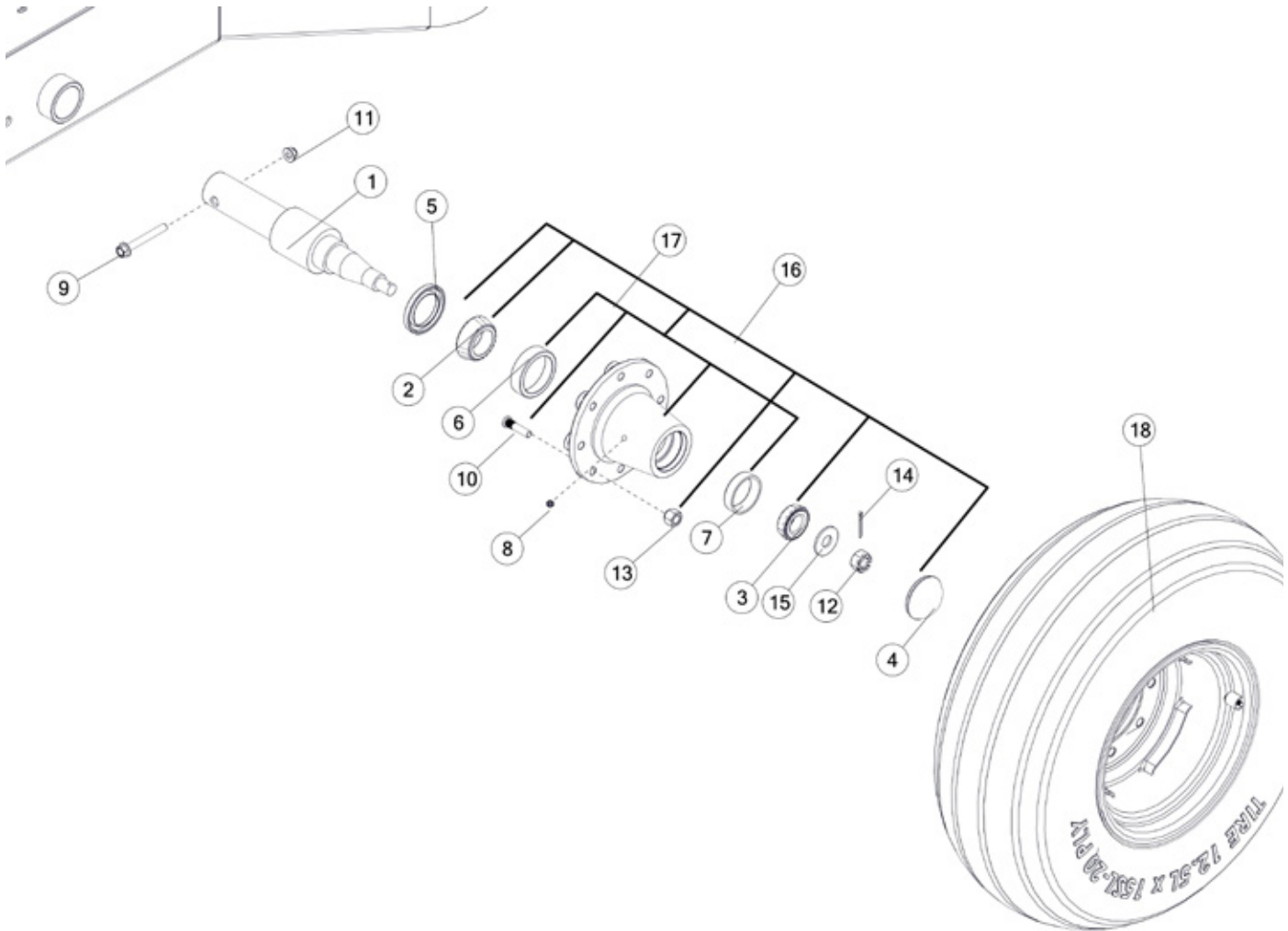


REF #	PART #	DESCRIPTION	QTY
1	GM76	TANK SIDE SUPPORT	1
2	YNFG16003	NUT FLANGE, 1/2 GF	8
3	GM333	FENDER W/DECAL	1
4	85662	FENDER SUPPORT BRACKET	2
5	YBCR12010	BOLT CARRIAGE, 3/8 X 1 G5	7
6	YBCR16005	BOLT CARRIAGE, 1/2 X 1 G5	4
7	YBCR16015	BOLT CARRIAGE, 1/2 X 1-1/4 G5	4
8	YBFB12003	BOLT FLANGE, 3/8 X 1 G5 ZC	5
9	YNFG12006	NUT FLANGE, 3/8 GF	9
10	YWLO12005	WASHER LOCK, 3/8	2
11	YNHX12005	NUT HEX, 3/8 G2	2





# FIGURE 7 WHEEL AND HUB ASSEMBLY





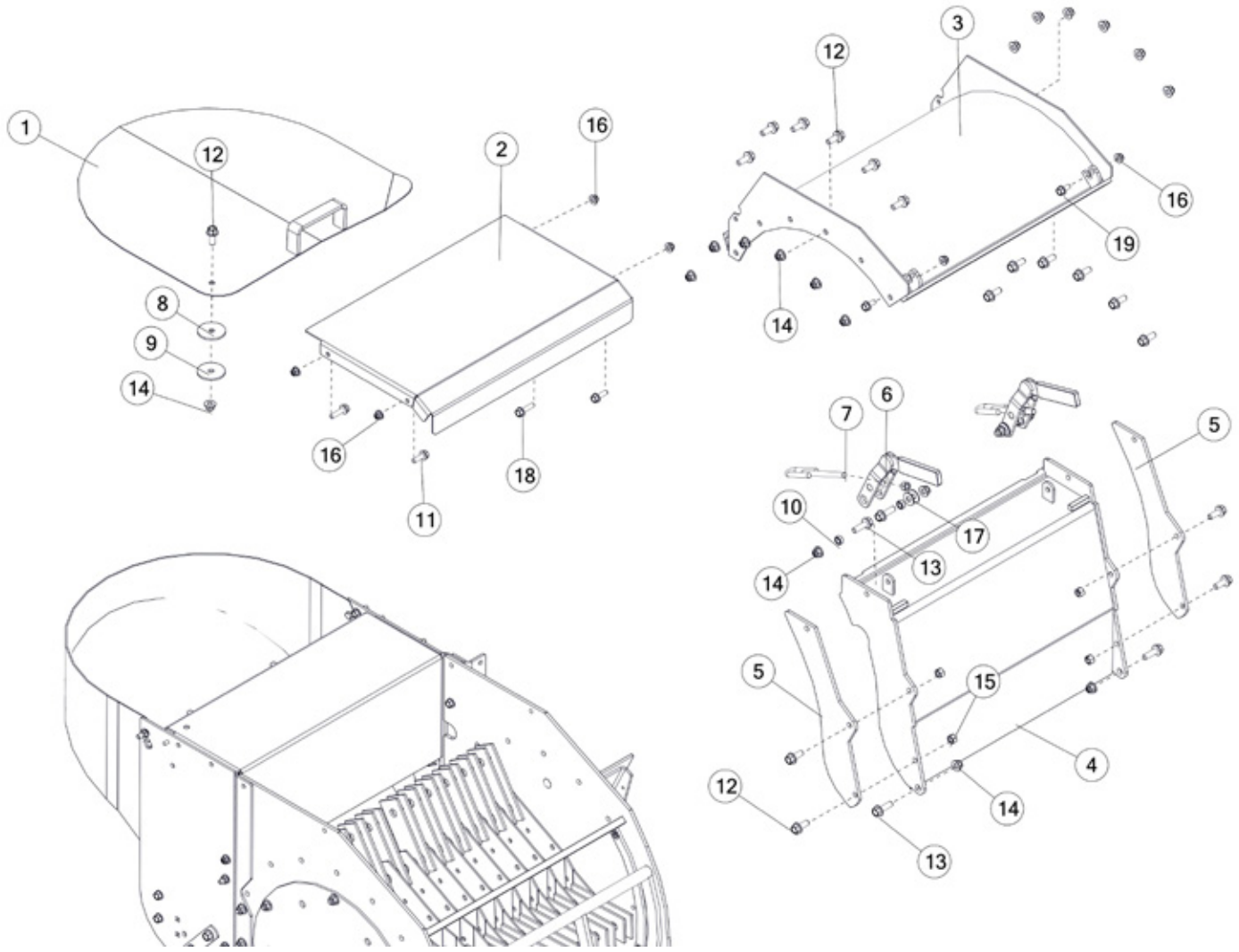
# FIGURE 7 WHEEL AND HUB ASSEMBLY

REF #	PART #	DESCRIPTION	QTY
1	GM402	SPINDLE LOAD CELL	2
2	53461	INNER BEARING	2
3	53462	OUTER BEARING	2
4	B2	HUB CAP	2
5	B90	GREASE SEAL	2
6	B91A	INNER RACE	2
7	B94A	OUTER RACE	2
8	BFR28	GREASE ZERK, 1/8 NPT	2
9	YBFB16400	BOLT FLANGE, 1/2 X 4 G5	2
10	YBSD20010	BOLT STUD, 5/8 X 2-1/2 G8	16
11	YNFG16003	NUT FLANGE, 1/2 GF	2
12	YNSL28005	NUT HEX, SLOTTED, 7/8 G2	2
13	YNWL20005	NUT WHEEL, 5/8 G5	16
14	YPCT05020	COTTER PIN, 5/32 X 1-1/2	2
15	YWFL28005	WASHER FLAT, 7/8	2
16	16SV398	821 HUB WITH TIMKEN BEARINGS	2
17	53403	HUB WITH RACES OUTER	2
18	78227	TIRE 12.5L-15 ON WHEEL 15 X 10	2





# FIGURE 8 INFEED COVER AND COMPONENTS





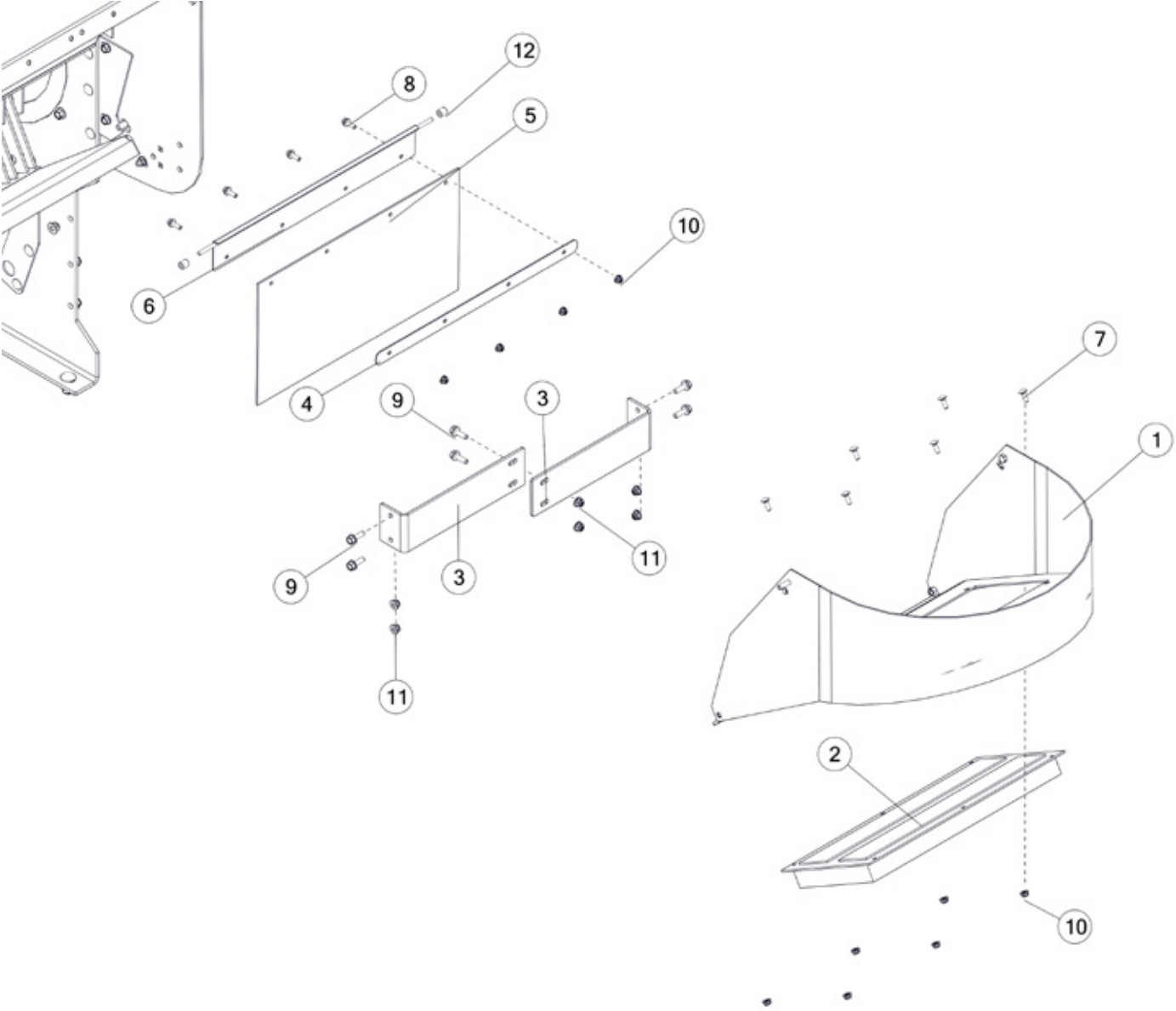
# FIGURE 8 INFEED COVER AND COMPONENTS

REF #	PART #	DESCRIPTION	QTY
1	GM358	INFEED CHUTE COVER	1
2	GM366	CHUTE MID SHIELD	1
3	GM146	GRINDER TOP	1
4	59673B	DOOR TABBED	1
5	59590	DOOR SIDE PANEL DUST STOP	2
6	GM140	DOOR LATCH	2
7	GM166	DOOR HOOK	2
8	60718	WASHER, SHIELD PIVOT	1
9	YWCU99005	WASHER, CUSTOM, FENDER 3/8 X 2OD	1
10	GM180	DOOR PIVOT	4
11	YBFB10001	BOLT FLANGE, 5/16 X 1 G5	2
12	YBFB12003	BOLT FLANGE, 3/8 X 1 G5 ZC	17
13	YBFB12125	BOLT FLANGE, 3/8 X 1-1/4 G5	6
14	YNFG12006	NUT FLANGE, 3/8 GF	18
15	YNTL12005	NUT HEX, TOP LOCK, 3/8	4
16	YNFG10005	NUT FLANGE, 5/16 GF	6
17	YWFL12005	WASHER FLAT, 3/8 G5	4
18	YBFB10125	BOLT FLANGE, 5/16 X 1-1/4 G5	2
19	YBFB10075	BOLT FLANGE, 5/16 X 3/4 G5	2





# FIGURE 9 INFEED CHUTE AND COMPONENTS





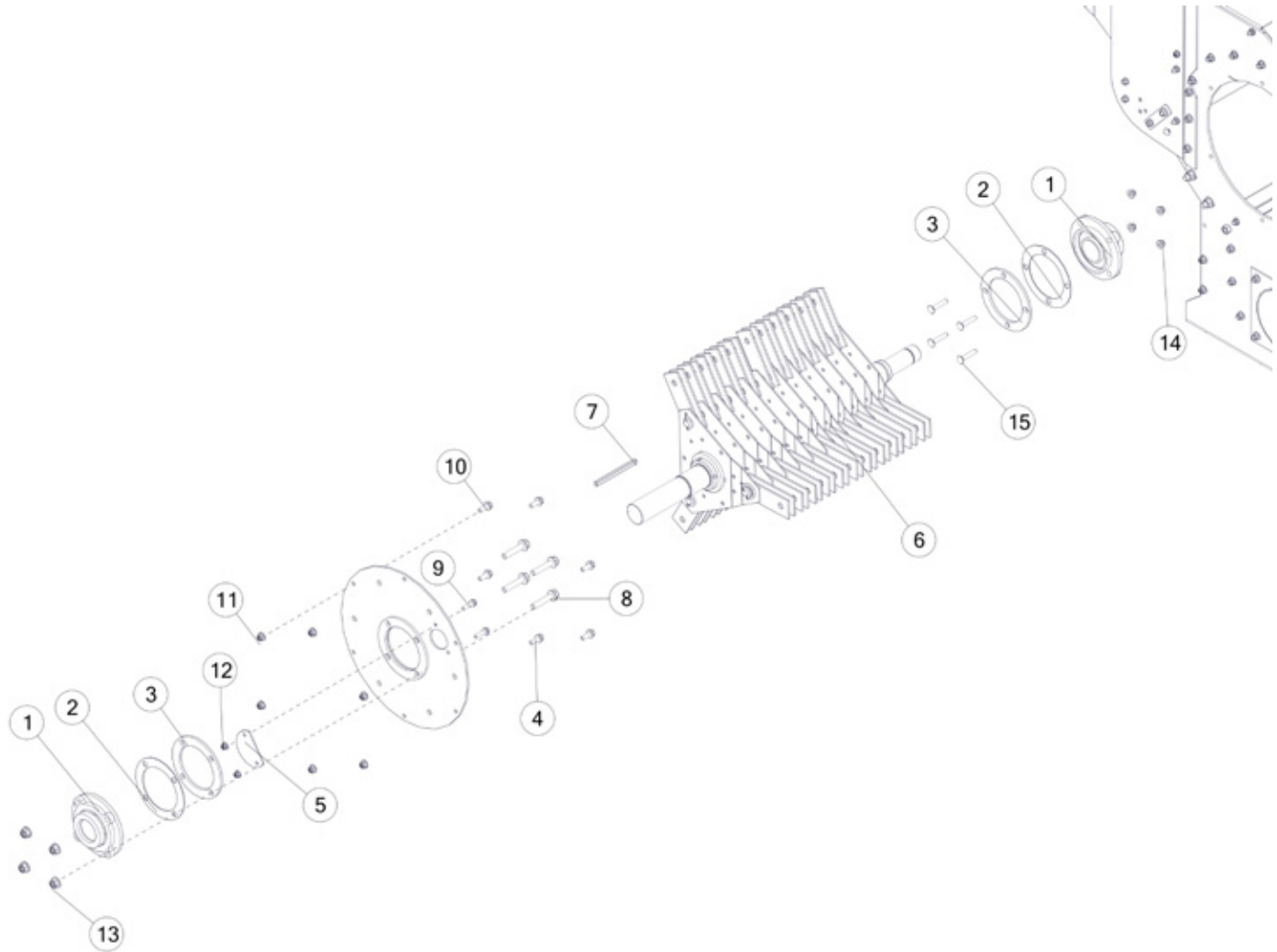
**FIGURE 9**  
**INFEEED CHUTE AND COMPONENTS**

REF #	PART #	DESCRIPTION	QTY
1	85837B	INFEEED CHUTE	1
2	GM352	CHUTE MAGNET	1
3	GM365	CHUTE BRACE	2
4	GM355	CHUTE FLAP CLAMP	1
5	85836	CHUTE COVER	1
6	81047	FLAP	1
7	YBCR08040	BOLT CARRIAGE, 1/4 X 3/4 G5	6
8	YBFB08075	BOLT FLANGE, 1/4 X 3/4 G5	4
9	YBFB10001	BOLT FLANGE, 5/16 X 1 G5	6
10	YNFG08010	NUT FLANGE, 1/4 GF	10
11	YNFG10005	NUT FLANGE, 5/16 GF	6
12	GM525	CHUTE FLAP SPACER	2





# FIGURE 10 HAMMERMILL AND COMPONENTS





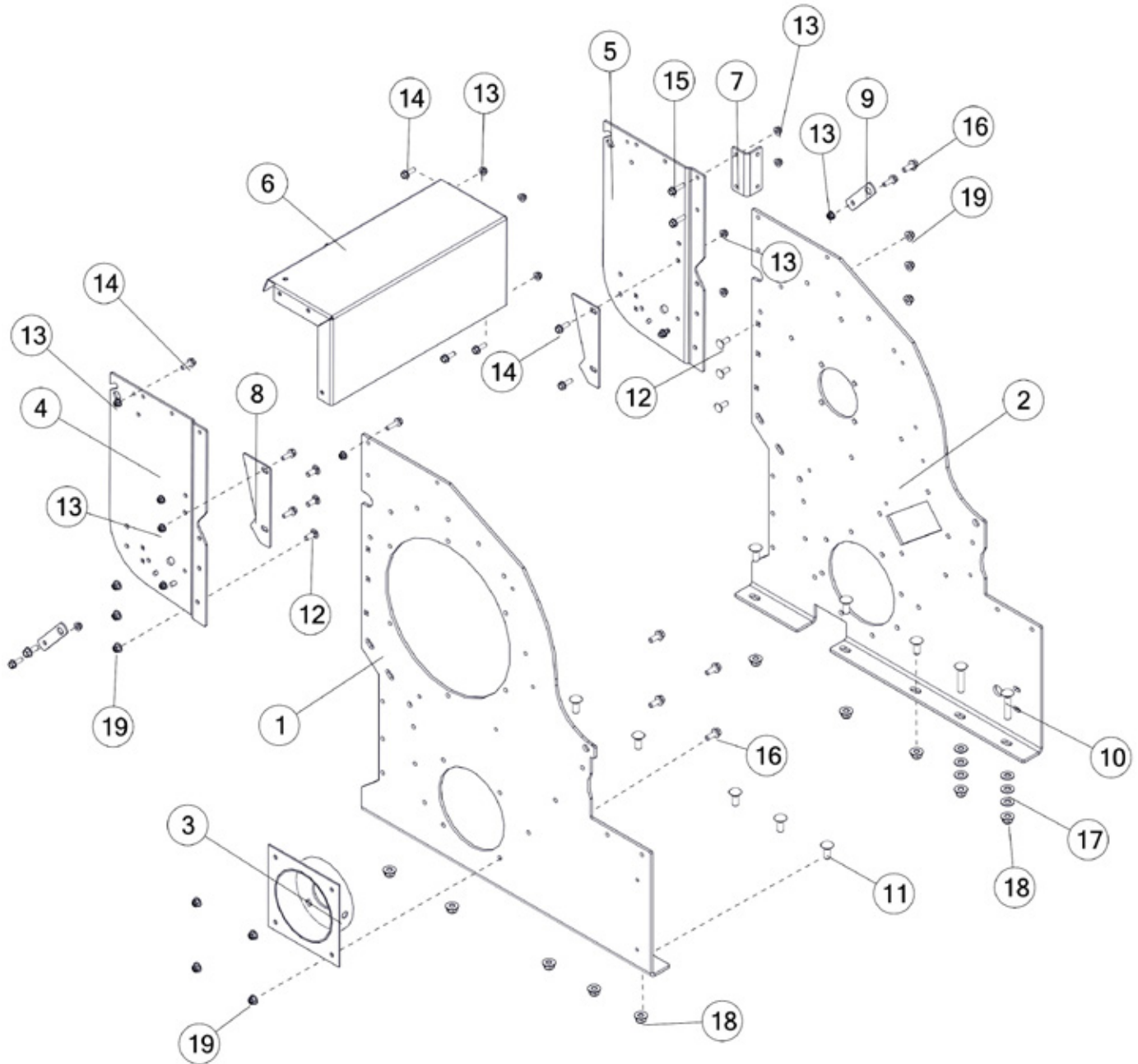


# FIGURE 10

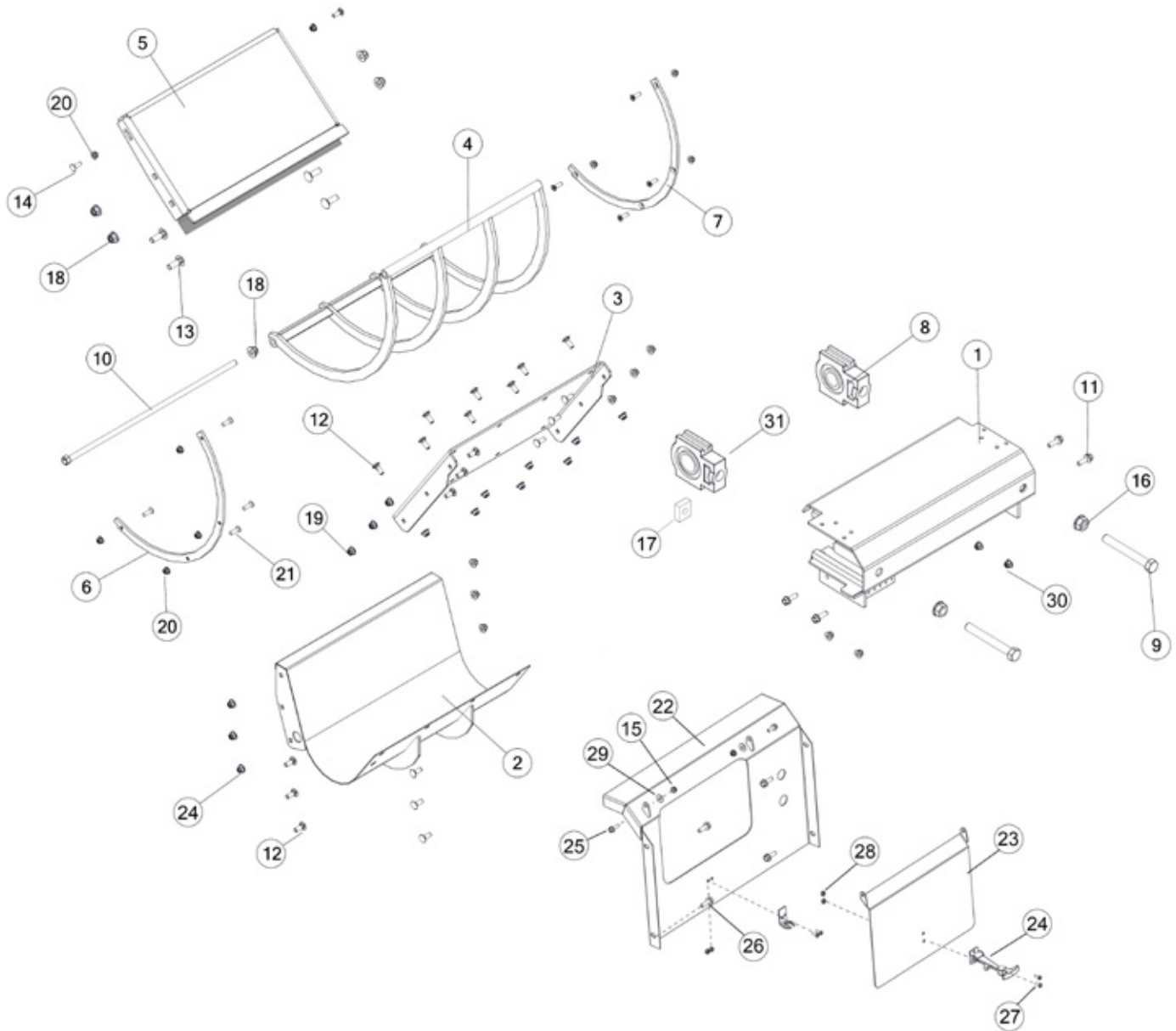
## HAMMERMILL AND COMPONENTS

REF #	PART #	DESCRIPTION	QTY
1	80652	FLANGED BEARING, 2.19	2
2	80756	SHIM, .06	2
3	80658	SHIM, 1/4	2
4	80787	COVER	1
5	GM457	SERVICE PORT COVER	1
6	80784	HAMMER MILL ASSEMBLY	1
7	84289	RECTANGLE KEY, 3/8 X 5/16 X 5-1/4	1
8	YBFB16250	BOLT FLANGE, 1/2 X 2-1/2 G5	4
9	YBFB10125	BOLT FLANGE, 5/16 X 1-1/4 G5	2
10	YBFB12003	BOLT FLANGE, 3/8 X 1 G5 ZC	6
11	YNFG12006	NUT FLANGE, 3/8 GF	6
12	YNFG10005	NUT FLANGE, 5/16 GF	2
13	YNFG16003	NUT FLANGE, 1/2 GF	4
14	YNFG12006	NUT FLANGE, 3/8 GF	4
15	YBCR12035	BOLT CARRIAGE, 3/8 X 2 G5	4









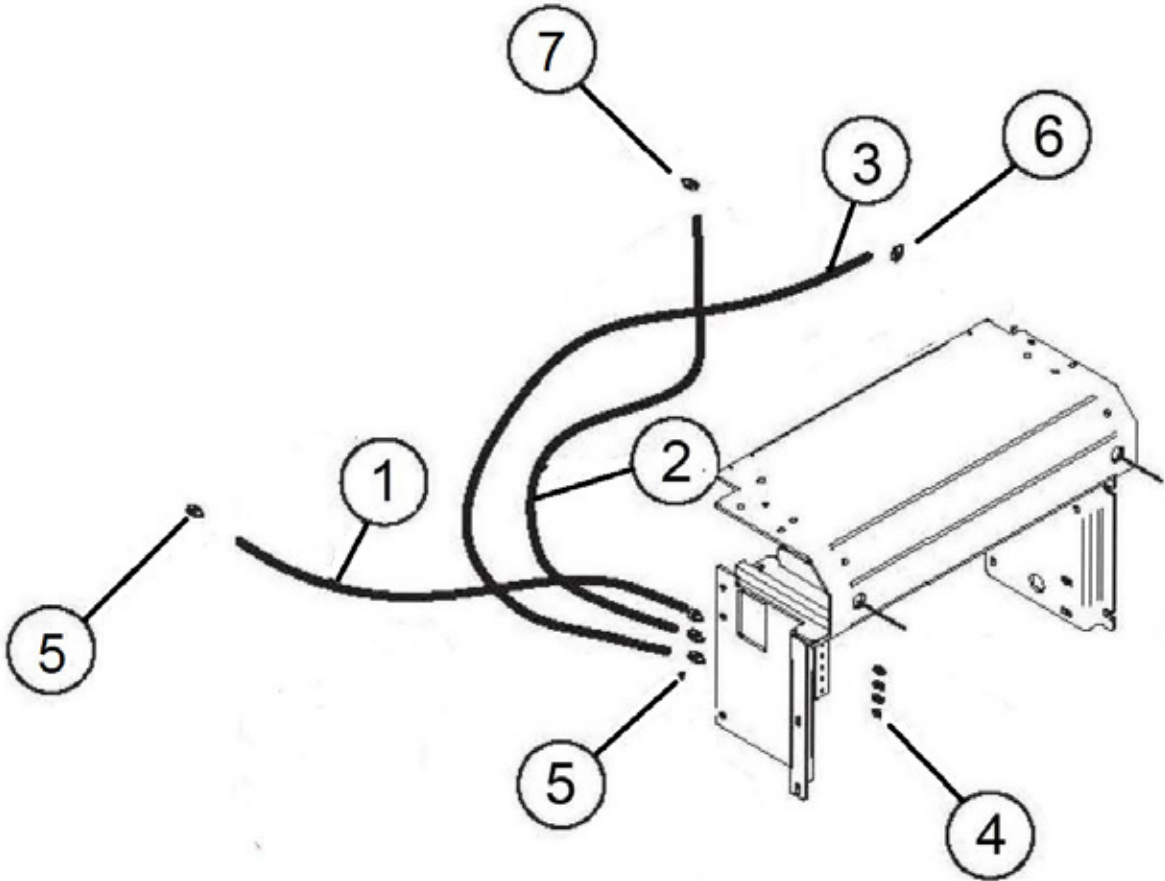


# FIGURE 12

## SCREEN HOLDER AND COMPONENTS

REF #	PART #	DESCRIPTION	QTY
1	85809B	DRIVE SHAFT CARRIER	1
2	85791	STEEL PANEL, BOTTOM	1
3	85930	SIDE PANEL	1
4	GM136	SCREEN HOLDER	1
5	89304	THROAT PLATE	1
6	GM137	GUIDE SCREEN, FRONT	1
7	GM138	GUIDE SCREEN, REAR	1
8	GM413	BEARING	1
9	YBHH24091	BOLT HEX, FT, 3/4-10 X 6 G5 ZC	2
10	GM135	MILL LONG BOLT	1
11	YBFB12125	BOLT FLANGE, 3/8 X 1-1/4 G5	4
12	YBCR12010	BOLT CARRIAGE, 3/8 X 1 G5	14
13	YBCR16010	BOLT CARRIAGE, 1/2 X 1-1/2 G5	4
14	YBCR10010	BOLT CARRIAGE, 5/16 X 1 G5	2
15	YNFG08010	NUT FLANGE, 1/4	2
16	16SV64	NUT FLANGE, 3/4	2
17	GM445	SLIDER BEARING NUT	1
18	YNFG16003	NUT FLANGE, 1/2 GF	4
19	YNFG12006	NUT FLANGE, 3/8 GF	24
20	YNFG10005	NUT FLANGE, 5/16 GF	10
21	YSFM10005	SCREW FLAT HEAD MACH, 5/16-18 X 1	8
22	90143B	CHAIN SHIELD	1
23	90141B	CHAIN SHIELD COVER	1
24	X233	LATCH ASSEMBLY	1
25	YBFB08075	BOLT FLANGE, 1/4 X 3/4	2
26	YBFB10001	BOLT FLANGE, 5/16 X 1	4
27	YSPP64005	PHILLIPS PAN HEAD, 10-32 X 1/2	4
28	YNNY64006	NUT HEX, 10-32	4
29	YWFL08005	FLAT WASHER, 1/4 USS	2
30	YNFG08010	NUT FLANGE, 1/4	2
31	GM114	BEARING	1







# FIGURE 13

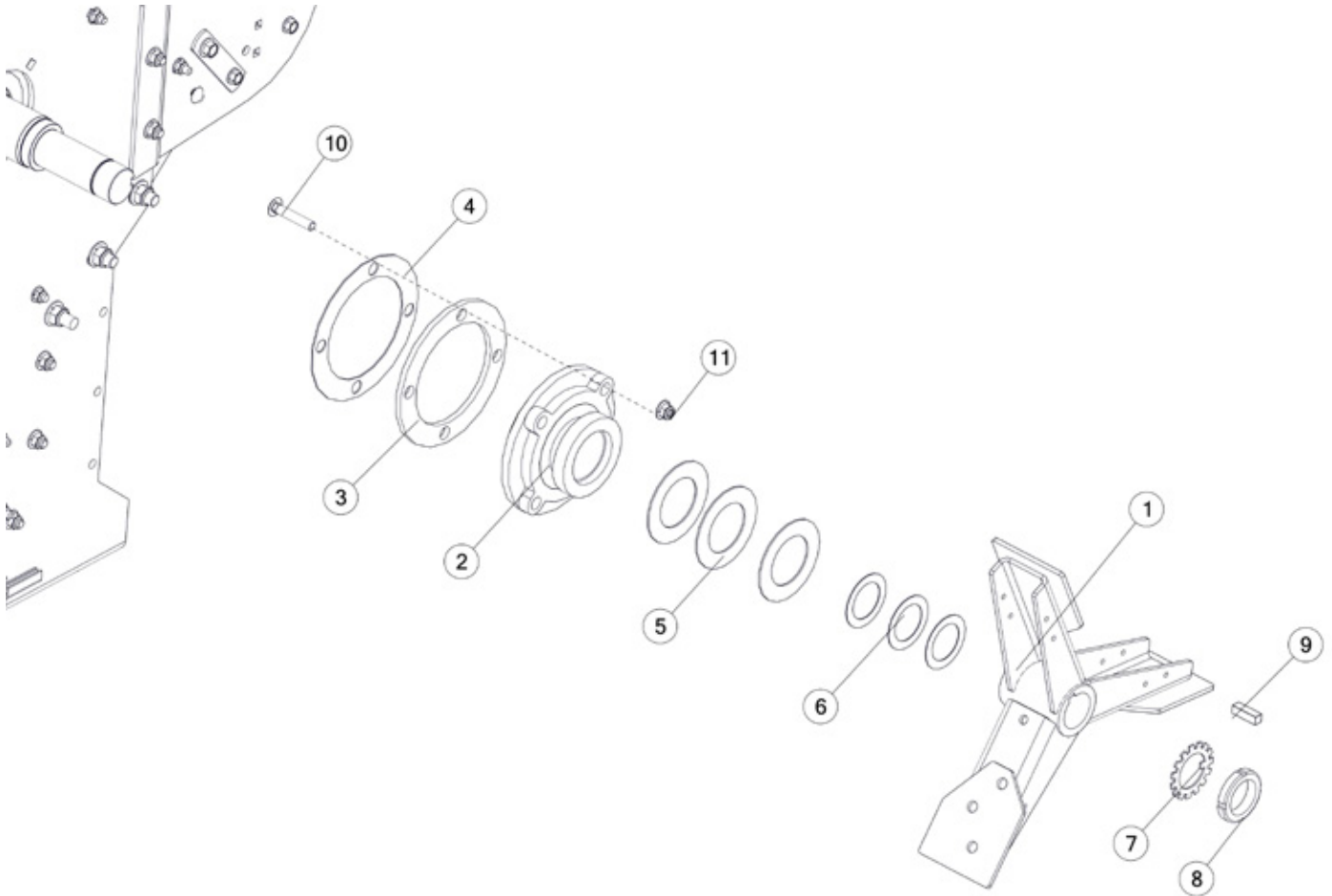
## GREASE KIT

REF #	PART #	DESCRIPTION	QTY
1	GM427	GREASE LINE, 20	1
2	GM426	GREASE LINE, 25	1
3	GM428	GREASE LINE, 85	1
4	G89	GREASE ZERK	3
5	GM424	GREASE LINE ADAPTER, 1/4-28	4
6	GM429	GREASE LINE ADAPTER, 1/4-28 90	1
7	GM419	GREASE LINE ADAPTER, 1/8	1
(1-7)	90473	COMPLETE GREASE LINE KIT	1





# FIGURE 14 FAN BLOWER AND COMPONENTS







# FIGURE 14

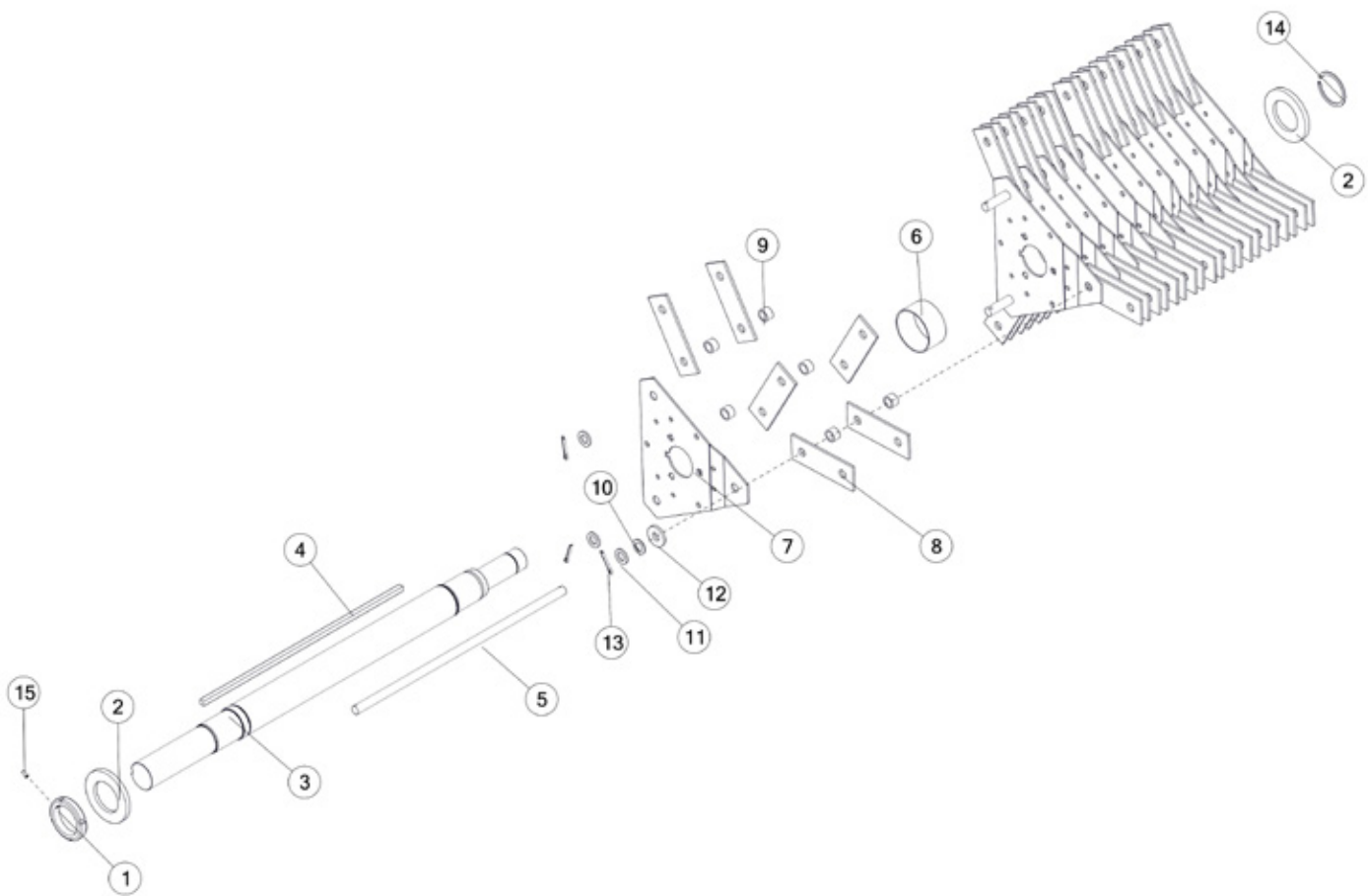
## FAN BLOWER AND COMPONENTS

REF #	PART #	DESCRIPTION	QTY
1	84818	BLOWER FAN	1
2	80652	FLANGED BEARING, 2.19	1
3	80658	SHIM, 1/4	1
4	80756	SHIM, .06	1
5	GM449	BEARING SPACER	3
6	GM448	FAN SPACER	3
7	GM431	LOCKING WASHER	1
8	GM151	LOCK NUT	1
9	GM462	KEY, 3/8 X 2-1/2	1
10	YBHH16095	BOLT HEX, 1/2 X 2-1/4 G5	4
11	YNFG16003	NUT FLANGE, 1/2	4





# FIGURE 15 HAMMERMILL ASSEMBLY





# FIGURE 15

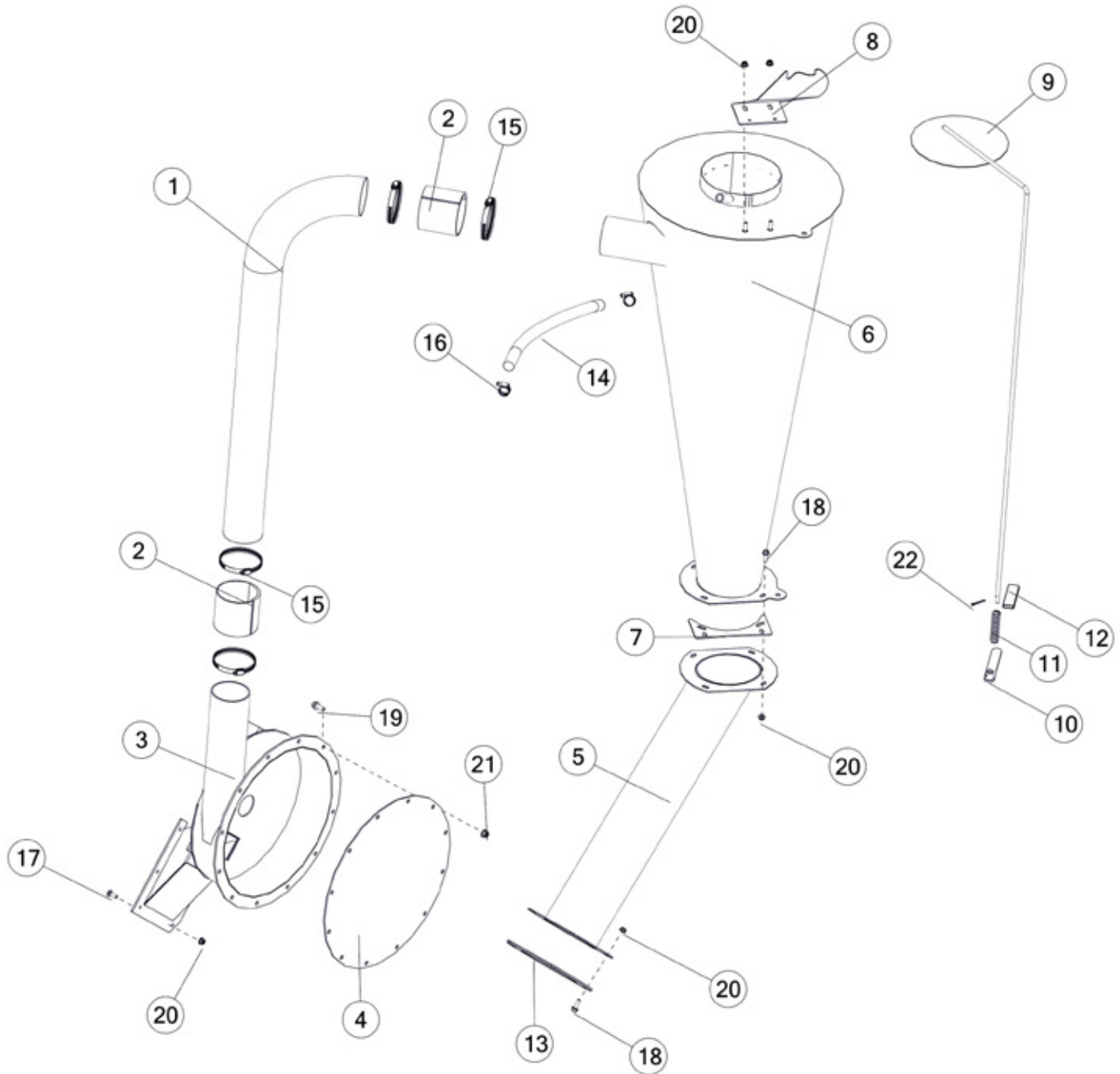
HAMMERMILL ASSEMBLY

REF #	PART #	DESCRIPTION	QTY
1	GM176	CYLINDER SHAFT NUT	1
2	GM171	RETAINER PLATE	2
3	80656	MILL SHAFT	1
4	GM169	SQUARE KEY, 3/8 X 19-3/8	1
5	GM44	SHAFT, HAMMER	3
6	GM177	SPACER PLATE	11
7	GM172	CYLINDER PLATE	12
8	GM175	HAMMER	66
9	GM174	HAMMER SPACER	66
10	GM576	MILL ROD SHIM	2
11	GM173	SPACER	6
12	GM430	BALANCE WASHER, 4 PCS	2
13	YPCT06010	COTTER PIN, 3/16 X 1-1/4	6
14	GM465	RETAINING RING	1
15	YSKP08010	SCREW SET, SOCKET, KNURLED CUP PT, 1/4 X 1/2	1





**FIGURE 16**  
**BLOWER COMPONENTS**





# FIGURE 16

## BLOWER COMPONENTS

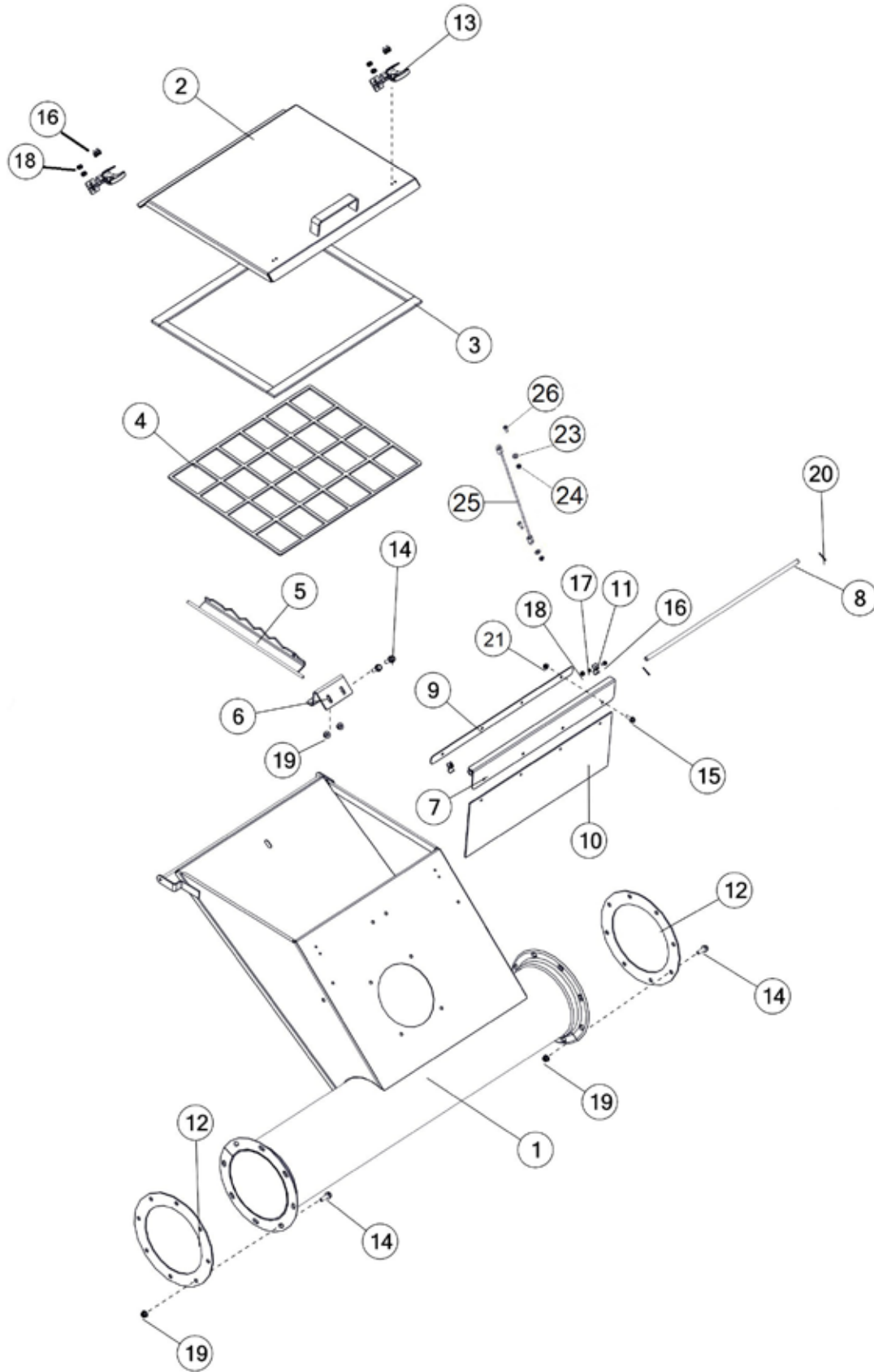
REF #	PART #	DESCRIPTION	QTY
1	84013	AIR TUBE, ELBOW	1
2	77768	SEAL	2
3	80799	BLOWER ASSEMBLY	1
4	78602	BLOWER COVER, REAR	1
5	84367	AIR TUBE	1
6	80392B	DUST COLLECTOR	1
7	GM460	ADJUSTABLE SUPPORT BOTTOM	1
8	GM368	ADJUSTABLE MOUNT PLATE	1
9	GM82	DUST COLLECTOR COVER	1
10	GM84	COVER HANDLE	1
11	17G128	COIL SPRING	1
12	GM370	HANDLE GRIP	1
13	84377	DUST COLLECTOR POLY SHIM, 0.13	1
14	84001	AIR HOSE, 12 X 19	1
15	77919	WORM GEAR CLAMP, 2-1/2 - 4-1/2 DIA	4
16	HGV75	HOSE CLAMP, 1	2
17	YBCR10010	BOLT CARRIAGE, 5/16 X 1 G5	6
18	YBFB10001	BOLT FLANGE, 5/16 X 1 G5	8
19	YBFB12003	BOLT FLANGE, 3/8 X 1 G5 ZC	12
20	YNFG10005	NUT FLANGE, 5/16 GF	16
21	YNFG12006	NUT FLANGE, 3/8 GF	12
22	YPCT05010	COTTER PIN, 5/32 X 1-1/2	1





# FIGURE 17

## HOUSING SUPPLEMENT HOPPER AND COMPONENTS



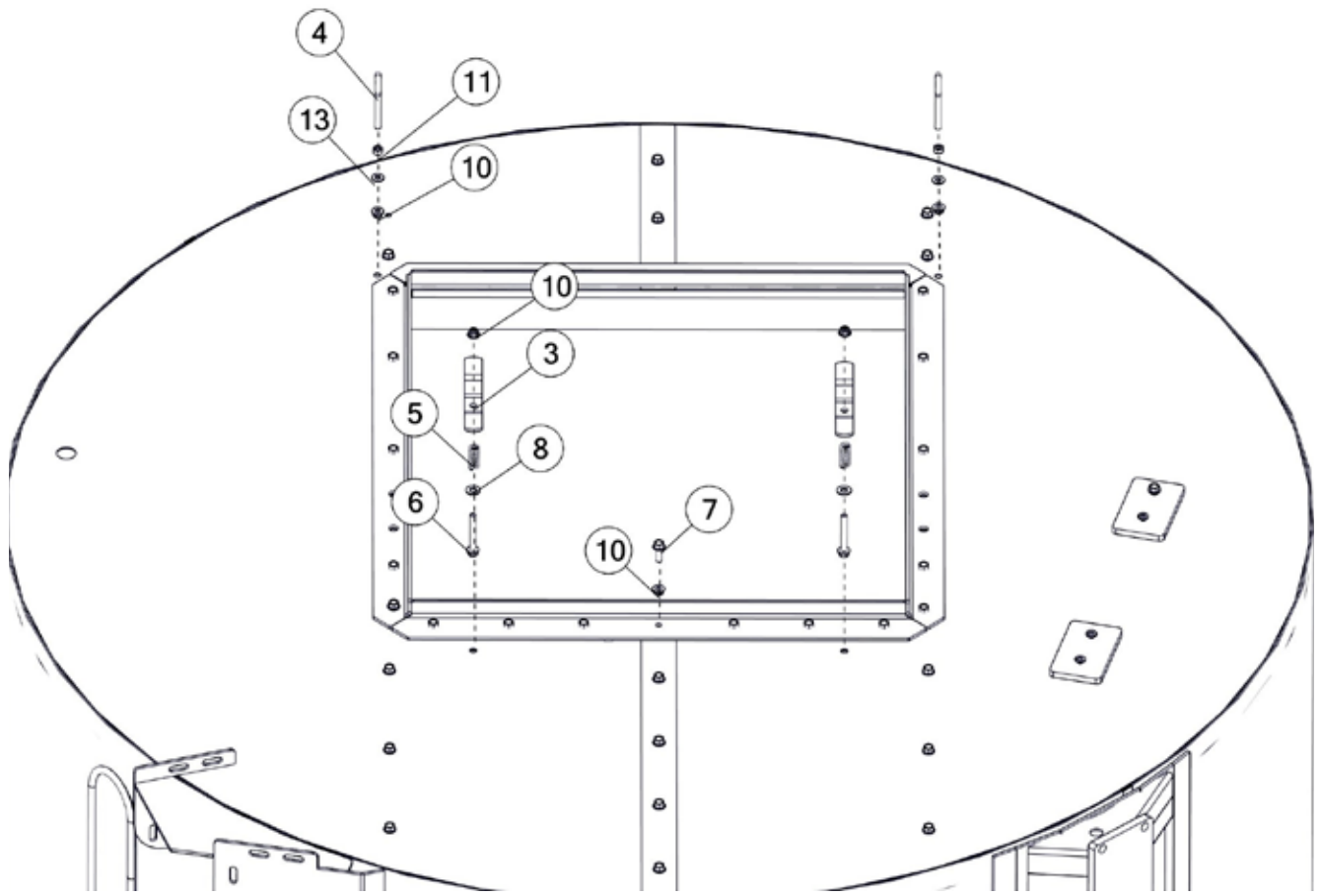
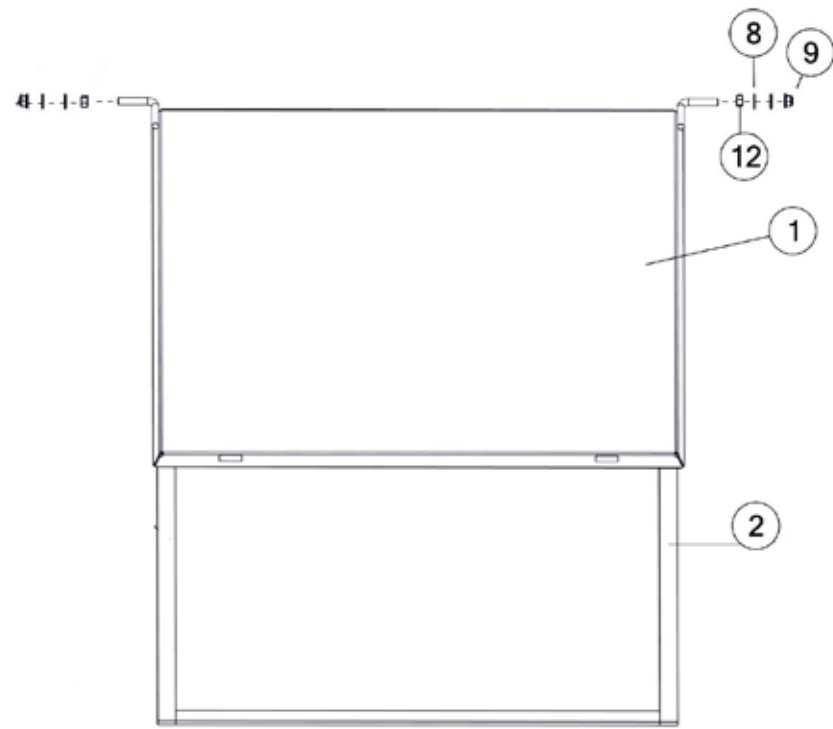
**FIGURE 17****HOUSING SUPPLEMENT HOPPER AND COMPONENTS**

<b>REF #</b>	<b>PART #</b>	<b>DESCRIPTION</b>	<b>QTY</b>
1	85584	HOUSING, SUPPLEMENT HOPPER	1
2	93745B	HOPPER COVER	1
3	79631	GASKET, SUPPLEMENT HOPPER	1
4	73901	SCREEN SUPPLEMENT HOPPER	1
5	GM93	BAG BREAKER	1
6	73751	SUPPORT BRACKET	1
7	86033	FLAP WELDMENT	1
8	85668	HINGE ROD	1
9	85669	CHUTE FLAP CLAMP	1
10	85670	CHUTE FLAP POLY	1
11	GM91	HOSE CLAMP	2
12	74281	SHIM	*
13	X233	LATCH ASSEMBLY	2
14	YBFB10001	BOLT FLANGE, 5/16 X 1 G5	18
15	YBFB08075	BOLT FLANGE, 1/4 X 3/4 G5	4
16	YSPP64005	SCREW PAN HEAD, #10-32 X 1/2	6
17	YWLO64005	WASHER, LOCK, #10	2
18	YNNY64006	NUT HEX, 10-32 SS	6
19	YNFG10005	NUT FLANGE, 5/16 GF	18
20	YPCT03010	COTTER PIN, 3/32 X 3/4	2
21	YNFG08010	NUT FLANGE, 1/4	4
22	YSPN64005	SCREW PAN HEAD, #10-24 X 5/8	2
23	YWFL06005	WASHER FLAT, 3/16 #10	4
24	YNNY64005	NUT HEX, NYLON INSERT LOCKNUT #10	4
25	93755	LANYARD	1
26	YSPN64005	SCREW PAN HEAD, #10-24 X 5/8	2





# FIGURE 18 TANK COVER AND COMPONENTS







# FIGURE 18

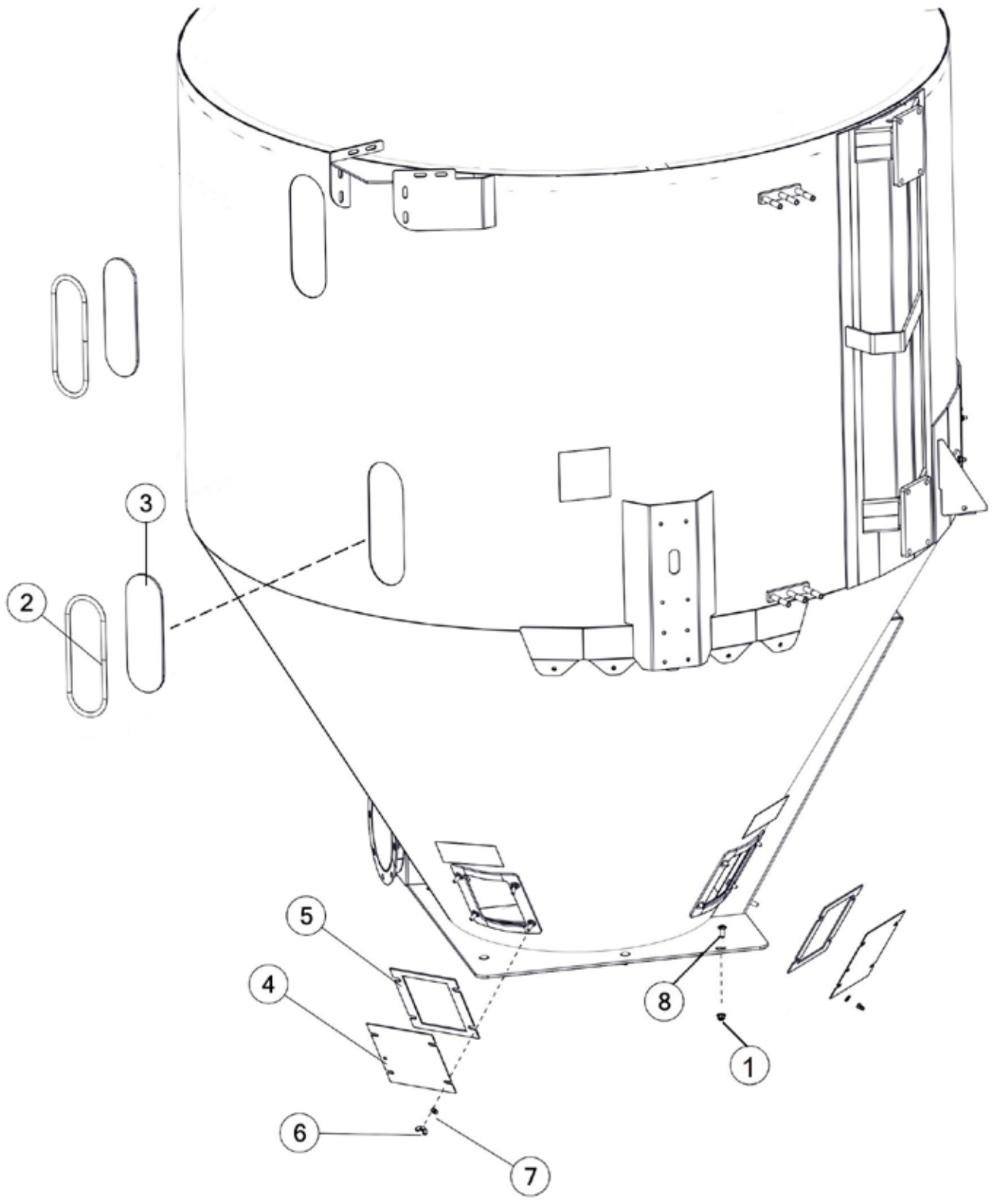
## TANK COVER AND COMPONENTS

REF #	PART #	DESCRIPTION	QTY
1	89721	TANK COVER, ASSEMBLY	1
2	90867	LID GASKET, THICK	1
3	GM305	LATCH COVER 1 X 7.61 X .19	2
4	YBTE10015	BOLT TURNED EYE, 5/16 X 2-1/2	2
5	GM309	SPRING	2
6	YBFB10250	BOLT FLANGE, 5/16 X 2-1/2 G5	2
7	YBFB10001	BOLT FLANGE, 5/16 X 1 G5	24
8	YWFL12010	WASHER FLAT, 3/8	6
9	YNFG12006	NUT FLANGE, 3/8 GF	2
10	YNFG10005	NUT FLANGE, 5/16 GF	28
11	YNHX10010	NUT HEX, 5/16-18 NA G5 ZC	2
12	YNHX12004	NUT HEX, 3/8-16 NA G2 NF	2
13	YWFL10010	WASHER FLAT, 5/16	2

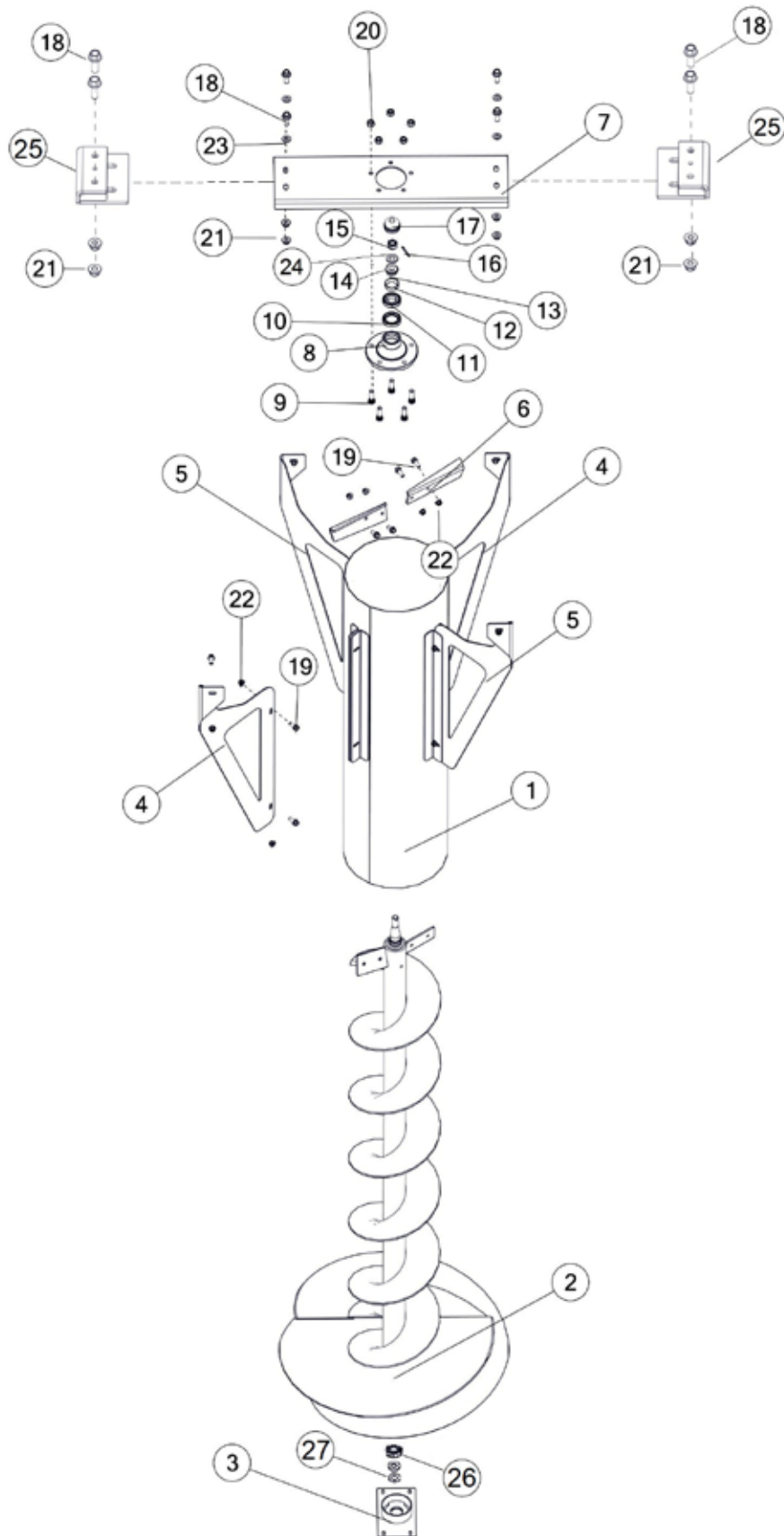




# FIGURE 19 TANK WINDOWS AND COMPONENTS







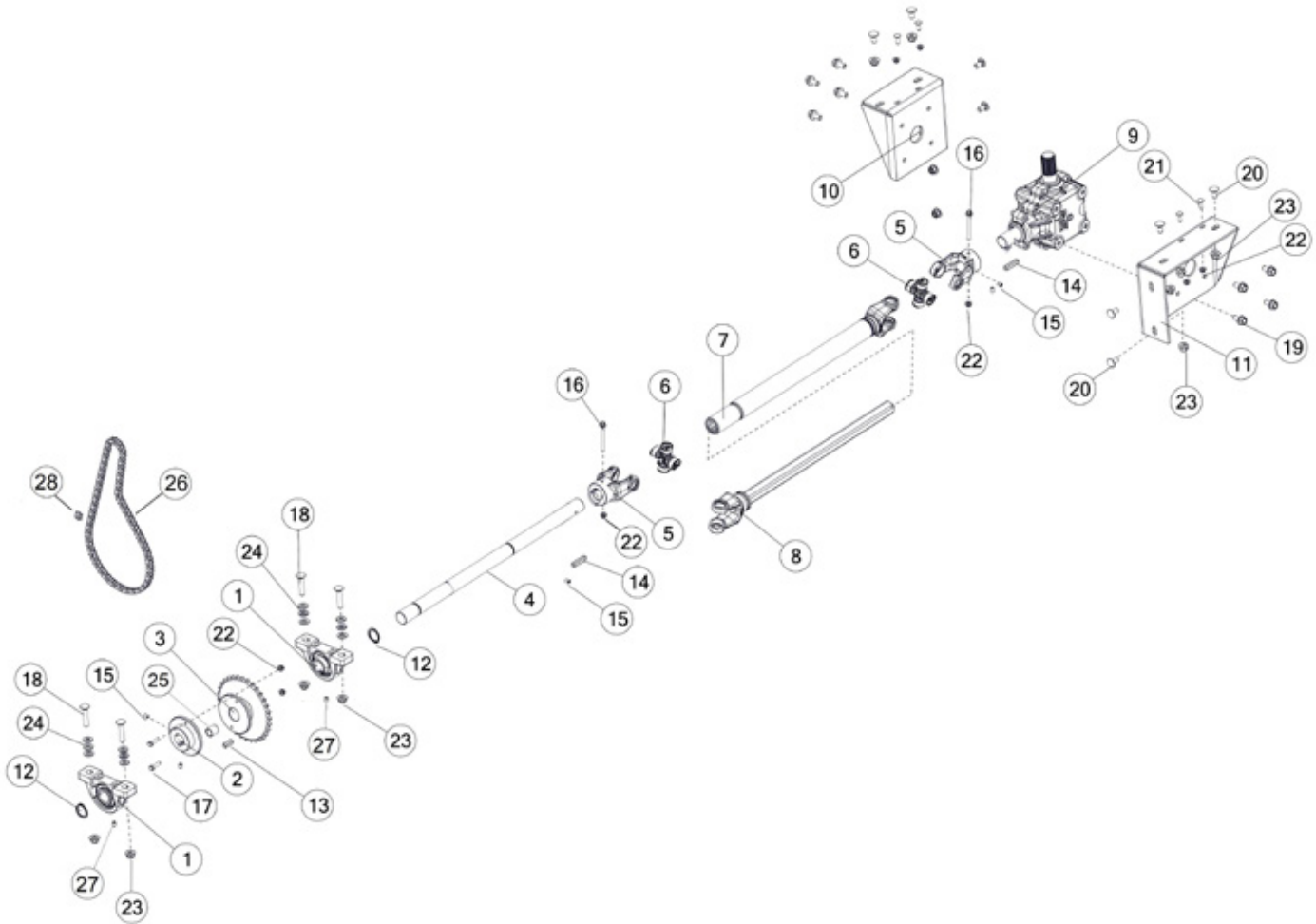


# FIGURE 20

## MIXING AUGER AND COMPONENTS

REF #	PART #	DESCRIPTION	QTY
1	84971	MIXING AUGER TUBE	1
2	86436	MIXING AUGER	1
3	86245	STL PANEL, BOTTOM	1
4	GM564	WID SUPPORT A	2
5	GM565	WID SUPPORT B	2
6	86566	STEEL PANEL, BROADCAST	2
7	86420	HUB BRACKET	1
8	BFR60	HUB WITH RACES & STUDS	1
9	YBSD16005	BOLT STUD, 1/2 X 1-7/8 X 3/8 G5	5
10	60699	GREASE SEAL	1
11	17G145	TAPERED ROLLER BEARING	1
12	17G146	OUTER RACE	1
13	BFR62	OUTER BEARING	1
14	BFR61	OUTER RACE	1
15	YNSL24010	NUT HEX, SLOTTED, 3/4 G2	1
16	YPCT05010	COTTER PIN 5/32 X 1-1/2	1
17	BFR66	HUB CAP	1
18	YBFB16150	BOLT FLANGE, 1/2 X 1-1/2 G5	8
19	YBFB12003	BOLT FLANGE, 3/8 X 1 G5 ZC	16
20	YNWL16005	NUT WHEEL, 1/2 G5	5
21	YNFG16003	NUT FLANGE, 1/2 GF	8
22	YNFG12006	NUT FLANGE, 3/8 GF	16
23	YWFL16015	WASHER FLAT, 1/2 G8	4
24	YWFL24010	WASHER FLAT, 3/4	1
25	93331	AUGER BRACKET	2
26	86582	HEX PLUG	1
27	RG87	THRUST WASHER, 1/8	2





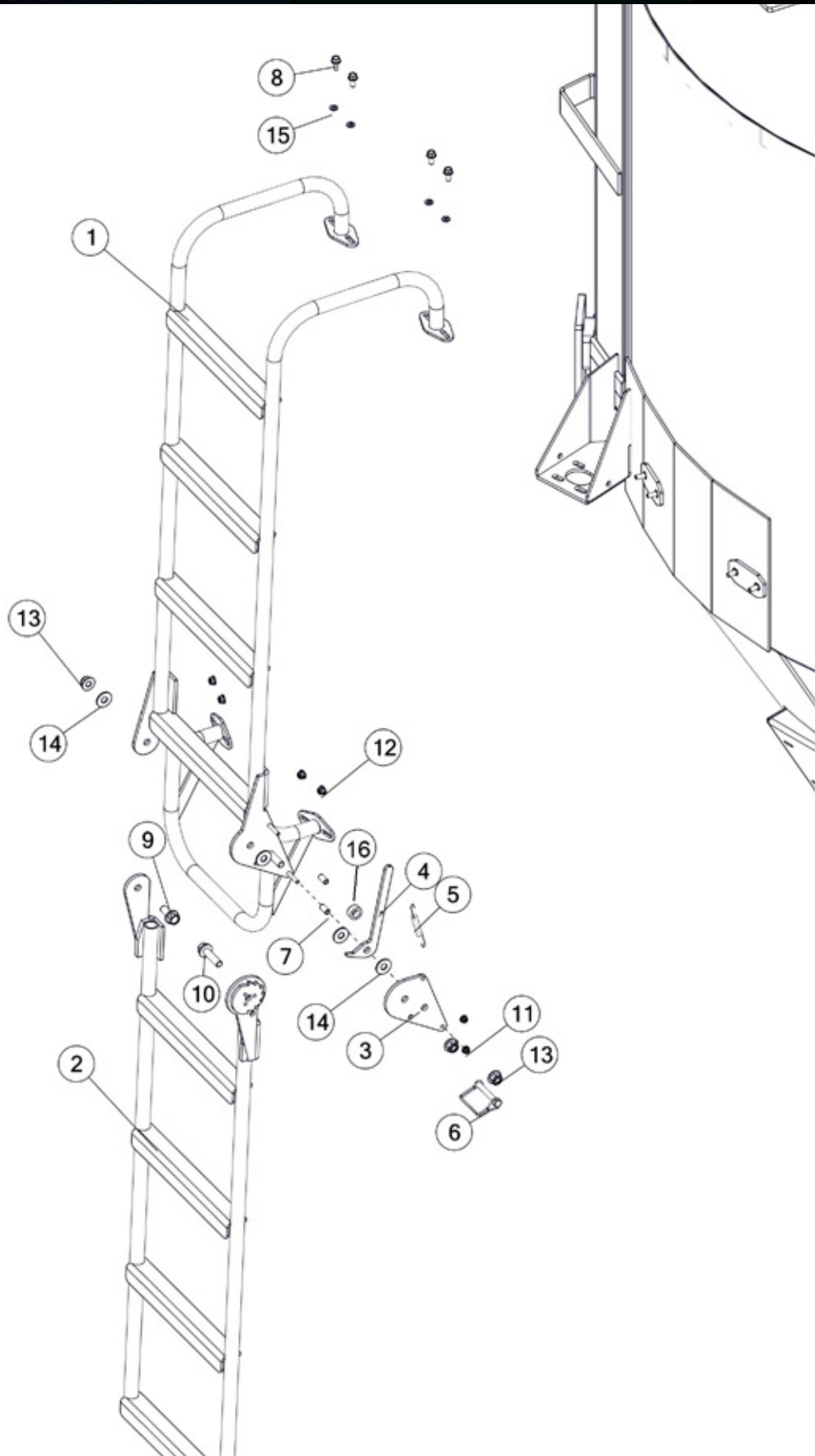


# FIGURE 21

## YOKE AND TUBE COMPONENTS

REF #	PART #	DESCRIPTION	QTY
1	60659	PILLOW BLOCK BEARING	2
2	17G71	SHEAR HUB	1
3	84211	SINGLE SPROCKET, 32	1
4	87417	RND SHAFT, MIXING	1
5	89026	YOKE, IMPLEMENT, 1-1/2	2
6	16SV179	CROSS KIT, 35R	2
7	87424	YOKE, TUBE, SLIP SLEEVE	1
8	87424	YOKE AND SHAFT	1
9	86580	GEARBOX	1
10	74241	GEAR BRACKET RH	1
11	73713	GEAR BRACKET LH	1
12	12V62	SNAP RING, 1-1/2HD EXTERNAL	2
13	68856	SQUARE KEY, 3/8 X 1-1/4	1
14	PB87	SQUARE KEY, 3/8 X 2	2
15	YSSO12005	SCREW SET, SOCKET, 3/8 X 1/2	5
16	YBFB10350	BOLT FLANGE, 5/16 X 3-1/2 G8	2
17	YBHH10040	BOLT HEX, 5/16-18 X 1-1/4 G2 ZC	2
18	YBCR16030	BOLT CARRIAGE, 1/2 X 2-1/2 G5	4
19	YBFB16100	BOLT FLANGE, 1/2 X 1 G5	8
20	YBCR16005	BOLT CARRIAGE, 1/2 X 1 G5	4
21	YBCR10010	BOLT CARRIAGE, 5/16 X 1 G5	8
22	YNFG10005	NUT FLANGE, 5/16 GF	8
23	YNFG16003	NUT FLANGE, 1/2 GF	12
24	YWFL16015	WASHER FLAT, 1/2 G8	12
25	89750	BUSHING	1
26	84458	ROLLER CHAIN, 60 X 88	1
27	RG51	ZERK, 90 DEGREE 1/4-28	2
28	90826	CONNECTOR LINK	1









# FIGURE 22

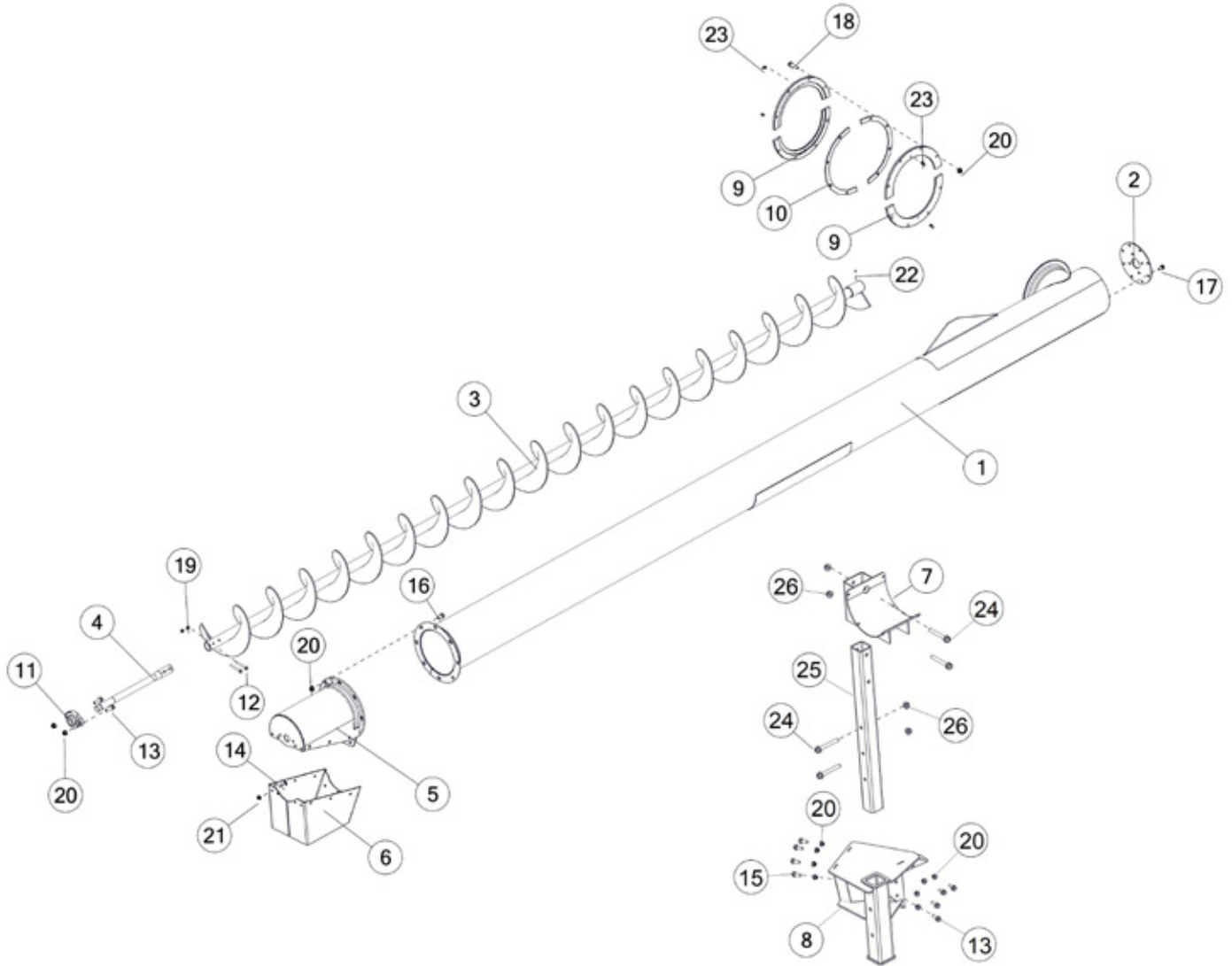
## LADDER AND COMPONENTS

REF #	PART #	DESCRIPTION	QTY
1	85484	TANK LADDER	1
2	85798	LOWER LADDER	1
3	86391	LADDER BRACKET	1
4	86388	DOG CLUTCH	1
5	GM208	LATCH SPRING	1
6	DWM191	SNAPPER PIN, 3/8 X 2-3/4	1
7	86404	SPACER	2
8	YBFB10075	BOLT FLANGE, 5/16 X 3/4 G5	4
9	YBFB16125	BOLT FLANGE, 1/2 X 1-1/4 G5	1
10	YBFB16200	BOLT FLANGE, 1/2 X 2 G5	1
11	YNFG08010	NUT FLANGE, 1/4 GF	2
12	YNFG10005	NUT FLANGE, 5/16 GF	4
13	YNFG16003	NUT FLANGE, 1/2 GF	2
14	YWFL16005	WASHER FLAT, 1/2	2
15	YWLO10005	WASHER LOCK, 5/16	4
16	80N11	FRONT POST SPACER	1





# FIGURE 23 UNLOADING AUGER AND COMPONENTS

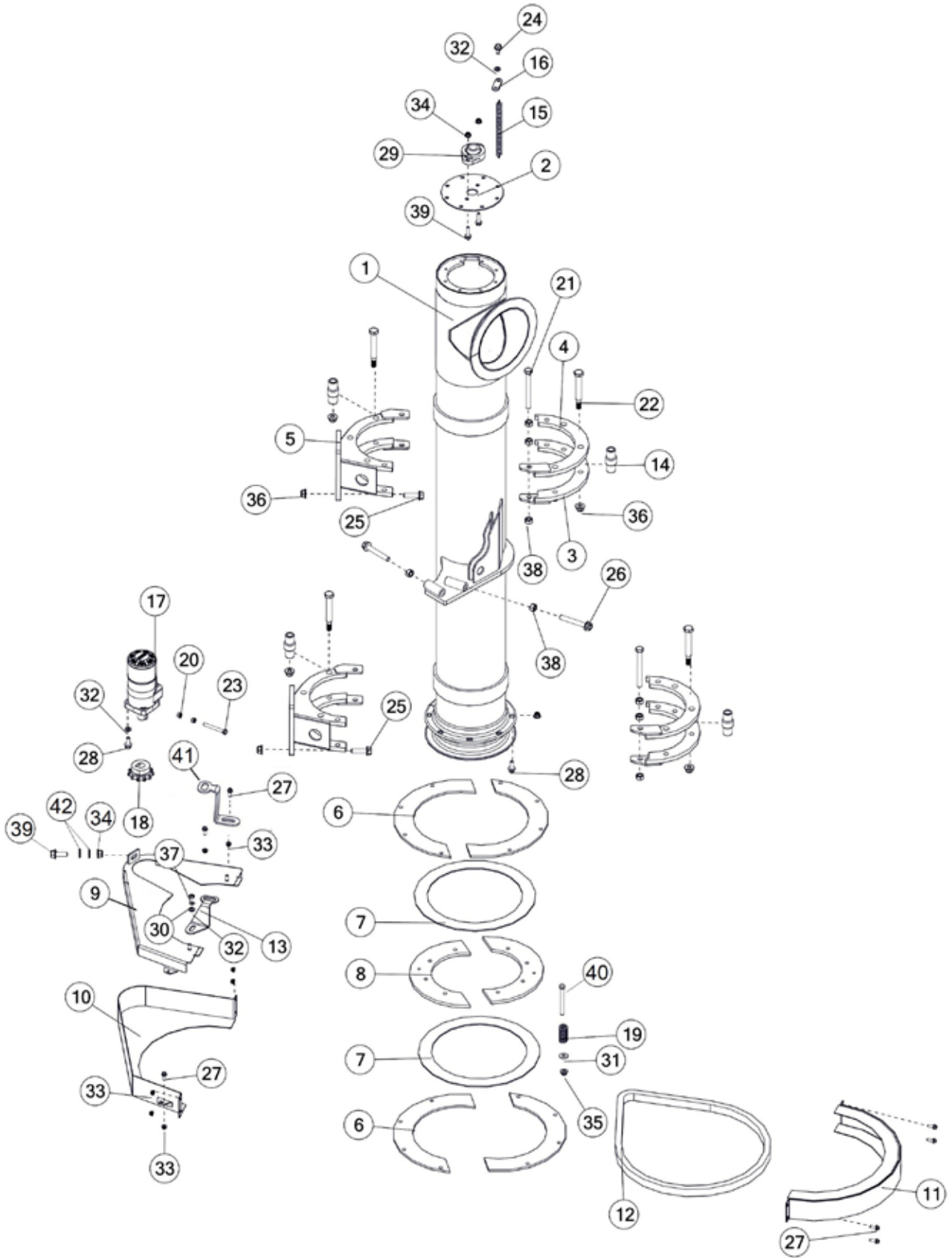




# FIGURE 23 UNLOADING AUGER AND COMPONENTS

REF #	PART #	DESCRIPTION	QTY
1	85626B	UNLOADING AUGER HOUSING	1
2	GM245	AUGER INNER DRIVE CAP	1
3	80542	UNLOADING AUGER 12FT	1
4	85691	AUGER LONG BEARING SHAFT	1
5	GM243B	SPOUT	1
6	GM244	SPOUT RUBBER	1
7	90816	SUPPORT BRACKET	1
8	90803	SUPPORT BRACKET	1
9	GM231	STAGGERED PIVOT COLLAR	4
10	GM232	COLLAR SHIM	2
11	T40	BEARING W/LOCK COLLAR, 1	1
12	YBHH08060	BOLT HEX, 1/4-20 X 2-1/4 G5 ZC	2
13	YBFB12125	BOLT FLANGE, 3/8 X 1-1/4 G5	6
14	YBCR10030	BOLT CARRIAGE, 5/16 X 3/4 G5	17
15	YBFB12003	BOLT FLANGE, 3/8 X 1 G5 ZC	12
16	YBFB12075	BOLT FLANGE, 3/8 X 3/4 G5	8
17	YBFB10075	BOLT FLANGE, 5/16 X 3/4 G5	8
18	YBFB12150	BOLT FLANGE, 3/8 X 1-1/2 G5	8
19	YNHX08005	NUT HEX, 1/4 G5	9
20	YNFG12006	NUT FLANGE, 3/8 GF	32
21	YNFG10005	NUT FLANGE, 5/16 GF	4
22	YSSO64005	SET SCREW, SOCKET, #10-32 X 1/4	1
23	RG51	ZERK, 90 DEGREE 1/4-28	4
24	YBFB16400	BOLT FLANGE, 1/2 X 4 G5	4
25	90766	SUPPORT BRACKET, POST	1
26	YNFG16003	NUT FLANGE, 1/2 GF	4



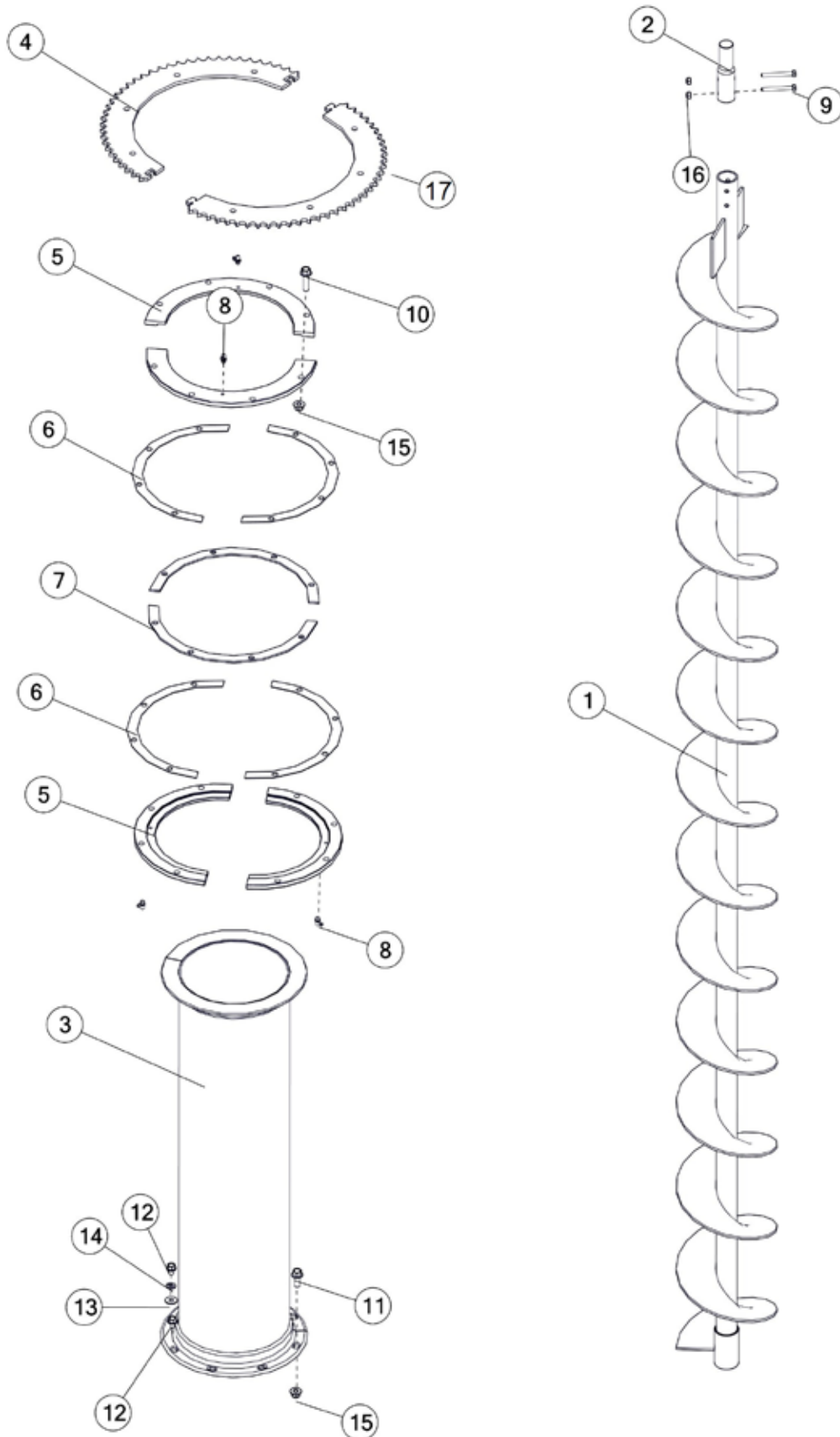




# FIGURE 24 VERTICAL AUGER TUBE AND COMPONENTS

REF #	PART #	DESCRIPTION	QTY
1	85625	VERTICAL AUGER TUBE	1
2	85932	AUGER INNER IDLE CAP	1
3	GM340	SPLIT RING BOTTOM	2
4	GM341	SPLIT RING TOP	2
5	75386	AUGER, TOP	2
6	GM229	CLUTCH FACE	4
7	GM237	CLUTCH	2
8	GM228	CLUTCH PLATE	2
9	86076	CHAIN SHIELD, TOP	1
10	86078	CHAIN SHIELD, BOTTOM	1
11	75434	GUARD, RING, OUTER	1
12	84459	ROLLER CHAIN, 60 X 79	1
13	86084	BRKT GUARD	1
14	GM345	ROLLER	12
15	23N187	SPRING	1
16	GM436	HOSE HOLDER	1
17	81570	HYD MOTOR, 22.6CI	1
18	GM226	AUGER TURN SPROCKET	1
19	WM210	BRAKE SPRING	8
20	YNHX12004	NUT HEX, 3/8 G2	2
21	YBHH16156	BOLT HEX, FT, 1/2-13 X 5, G5, ZC	4
22	GM342	STEP BOLT	12
23	YBHH12099	BOLT HEX, FT, 3/8-16 X 2-1/4 G2 ZC	1
24	YBFB12075	BOLT FLANGE, 3/8 X 3/4 G5	8
25	YBFB16175	BOLT FLANGE, 1/2 X 1-3/4 G5	8
26	YBFB16350	BOLT FLANGE, 1/2 X 3-1/2 G5	2
27	YBFB08075	BOLT FLANGE, 1/4 X 3/4 G5	7
28	YBFB12003	BOLT FLANGE, 3/8 X 1 G5 ZC	12
29	T40	BEARING W/LOCK COLLAR, 1	1
30	YWFL06010	WASHER FLAT, 3/16 USS	1
31	YWFL12005	WASHER FLAT, 3/8 G5	8
32	YWLO12005	WASHER LOCK, 3/8	8
33	YNFG08010	NUT FLANGE, 1/4 GF	7
34	YNFG10005	NUT FLANGE, 5/16 GF	3
35	YNFG12006	NUT FLANGE, 3/8 GF	16
36	YNFG16003	NUT FLANGE, 1/2 GF	20
37	YNHX10005	NUT HEX, 5/16 G2	1
38	YNHX16004	NUT HEX, 1/2	12
39	YBFB10125	BOLT FLANGE, 5/16 X 1-1/4 G5	3
40	YBHH12160	BOLT HEX, 3/8 X 3-3/4 G5	8
41	81898	BRACKET GUARD	1
42	YWFL12010	WASHER FLAT, 3/8 G8	2







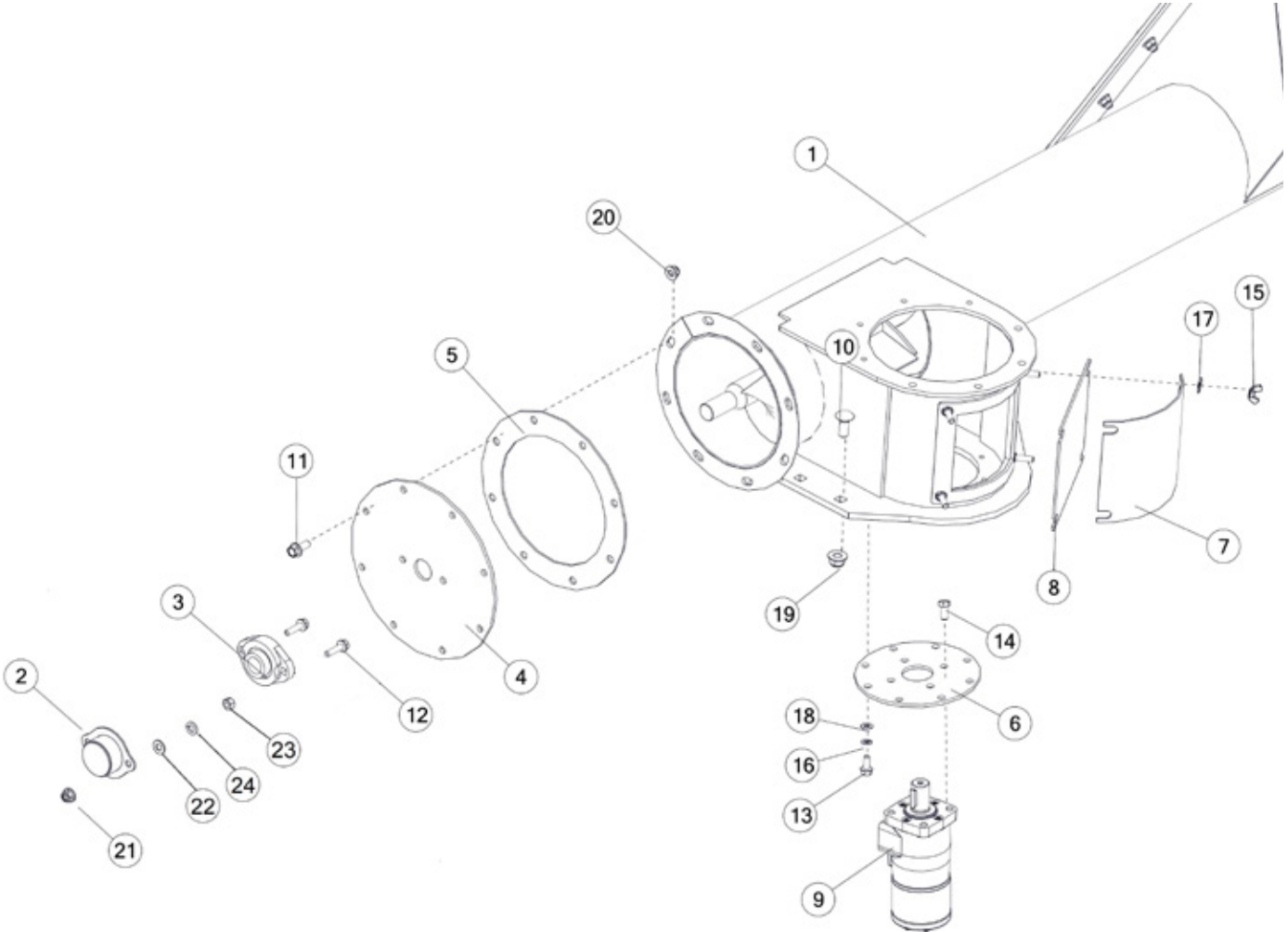
**FIGURE 25**  
**VERTICAL AUGER AND COMPONENTS**

REF #	PART #	DESCRIPTION	QTY
1	78393	AUGER, VERTICAL	1
2	GM233	VERTICAL AUGER SHAFT	1
3	78157B	ROUND TUBE, AUGER	1
4	GM238	CLUTCH SPROCKET, 60 B	2
5	GM231	STAGGERED PIVOT COLLAR	4
6	GM459	COLLAR SHIM	4
7	GM232	COLLAR SHIM	2
8	RG51	ZERK, 90 DEGREE 1/4-28	4
9	YBHH08060	BOLT HEX, 1/4-20 X 2-1/4 G5 ZC	2
10	YBFB12150	BOLT FLANGE, 3/8 X 1-1/2 G5	8
11	YBFB12003	BOLT FLANGE, 3/8 X 1 G5 ZC	4
12	YBFB10002	BOLT FLANGE, 5/16 X 1/2 G5	4
13	YWFL10005	WASHER LOCK, 3/8	4
14	YWLO12005	WASHER LOCK, 3/8	4
15	YNFG12006	NUT FLANGE, 3/8 GF	16
16	YNTL08005	NUT HEX, TOP LOCK, 1/4 G5	2
17	GM239	SPROCKET	1





# FIGURE 26 AUGER HOUSING AND COMPONENTS







# FIGURE 26

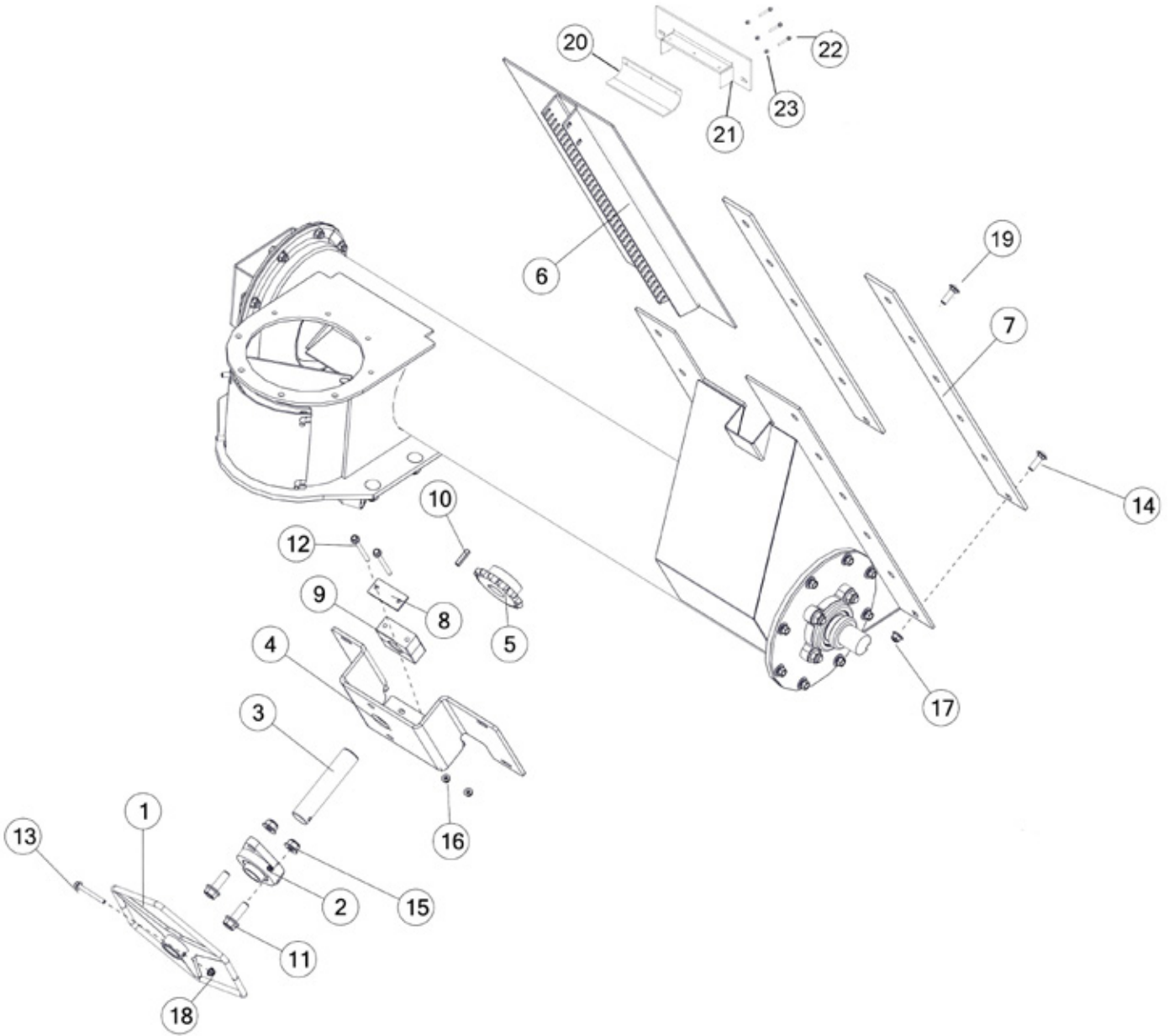
## AUGER HOUSING AND COMPONENTS

REF #	PART #	DESCRIPTION	QTY
1	85488	AUGER HOUSING, ASSY	1
2	89622	SHAFT SHIELD	1
3	T40	BEARING, 2 BOLT, 1.00 BORE W/COLLAR	1
4	78254	AUGER COVER	1
5	74281	SHIM	1
6	81642	AUGER INNER DRIVE CAP	1
7	80194B	STL PANEL, CLEANOUT DOOR	1
8	84174	GASKET, CLEANOUT	1
9	85344	HYD MOTOR	1
10	YBCR16015	BOLT CARRIAGE, 1/2-13 X 1-1/4 G5 ZC	4
11	YBFB12003	BOLT FLANGE, 3/8 X 1 G5	8
12	YBFB10125	BOLT FLANGE, 5/16 X 1-1/4 G5	2
13	YBFB10075	BOLT FLANGE, 5/16 X 3/4 G5	8
14	YBHH12135	BOLT HEX, 3/8-16 X 3/4 G5	4
15	YNWG10005	NUT WING, 5/16-18 NA ZC	4
16	YWLO10005	WASHER, LOCK, 5/16	8
17	YWFL10005	WASHER, FLAT, 5/16 USS	4
18	YWFL10010	WASHER, FLAT, 5/16 SAE G8 YZ	8
19	YNFG16003	NUT FLANGE, 1/2 GF	4
20	YNFG12006	NUT FLANGE, 3/8 GF	8
21	YNFG10005	NUT FLANGE, 5/16 GF	2
22	YWFL12010	WASHER FLAT, 3/8 G8	2
23	YNHX12005	NUT HEX, 3/8 G2	2
24	YWLO12005	WASHER LOCK, 3/8	2





# FIGURE 27 GATE AND COMPONENTS





**FIGURE 27**  
**GATE AND COMPONENTS**

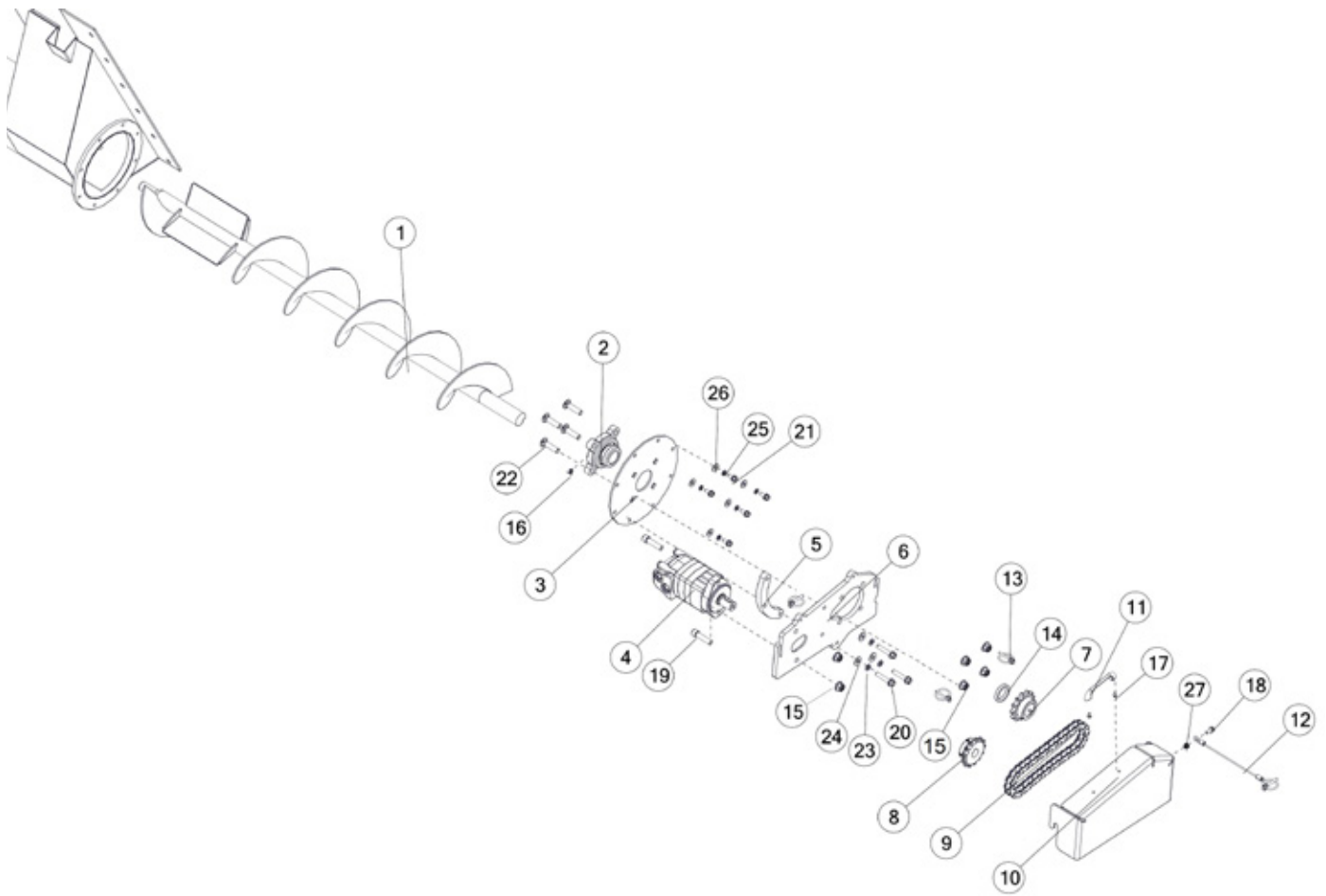
REF #	PART #	DESCRIPTION	QTY
1	85582	HANDLE, GATE	1
2	12N29	FLANGE BEARING	1
3	85568	HANDLE SHAFT	1
4	85698	GATE BRACKET	1
5	55230	SPROCKET, 1-1/4 SHAFT 60B15	1
6	85690	GATE	1
7	80232	SPACER, 1/4	2
8	56566	CLAMP TOP PLATE	1
9	CHM289	CLAMP HALVES 1-1/4 TUBE	1
10	S135	SQUARE KEY, 1/4 X 1-1/4	1
11	YBFB16150	BOLT FLANGE, 1/2 X 1-1/2 G5	2
12	YBFB08300	BOLT FLANGE, 1/4 X 3 G5	2
13	YBFB08225	BOLT FLANGE, 1/4 X 2-1/4 G5	1
14	YBCR12020	BOLT CARRIAGE, 3/8 X 1-1/4 G5	10
15	YNFG16003	NUT FLANGE, 1/2 GF	2
16	YNFG08010	NUT FLANGE, 1/4 GF	2
17	YNFG12006	NUT FLANGE, 3/8 GF	12
18	YNFG08010	NUT FLANGE, 1/4 GF	1
19	YBCR12030	BOLT CARRIAGE, 3/8-16 X 1-3/4 G5 ZC	2
20	92280	GATE SEAL	1
21	92279	WIPER BRACKET	1
22	YBFB08100	BOLT FLANGE, 1/4 X 1 G5	3
23	YNFG08010	NUT FLANGE, 1/4 GF	3





# FIGURE 28

## HORIZONTAL AUGER AND COMPONENTS



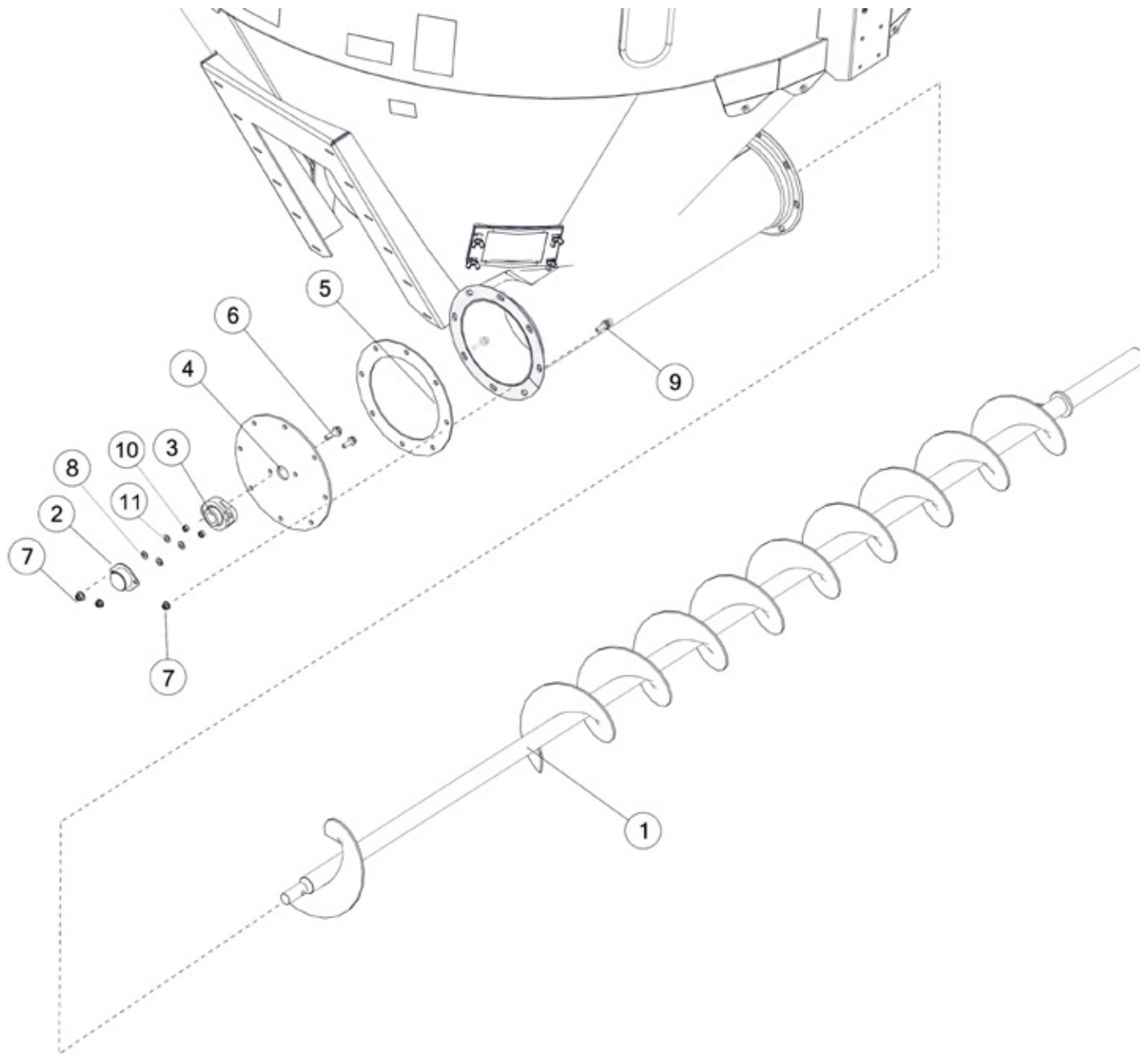


# FIGURE 28

## HORIZONTAL AUGER AND COMPONENTS

REF #	PART #	DESCRIPTION	QTY
1	85646	HORIZONTAL AUGER, ASSY	1
2	78670	BALL BEARING, 1.50	1
3	85629	AUGER DRIVE CAP	1
4	81565	HYD MOTOR, 6.2CI	1
5	89615	SPACER	1
6	89618	MOTOR PLATE	1
7	TS36	SINGLE SPROCKET, 13	1
8	85671	SINGLE SPROCKET, 13	1
9	85995	ROLLER CHAIN, #60, 36P	1
10	89626B	SHIELD	1
11	79671	PULL HANDLE, PLASTIC	1
12	S122	LANYARD, CLIP PIN CABLE	1
13	YPLY06010	LYNCH PIN, 3/16 X 1-9/16	2
14	89620	SPACER	1
15	YNFG16003	NUT FLANGE, 1/2 GF	6
16	RG51	ZERK, 90 DEGREE 1/4"-28	1
17	YSPN64004	MACHINE PPHS, #10-24 X 3/8 SS	2
18	YBFB08075	BOLT FLANGE, 1/4 X 3/4 G5	1
19	YSHS16015	BOLT SOCKET, 1/2-13 X 2 BO	2
20	YBFB12200	BOLT FLANGE, 3/8 X 2 G5	3
21	YBFB10075	BOLT FLANGE, 5/16 X 3/4 G5	5
22	YBCR16020	BOLT CARRIAGE, 1/2-13 X 2 G5 ZC	4
23	YWLO12005	WASHER LOCK, 3/8	3
24	YWFL12005	WASHER FLAT, 3/8 USS	3
25	YWLO10005	WASHER LOCK, 5/16	5
26	YWFL10005	WASHER FLAT, 5/16 USS	5
27	YNFG08010	NUT FLANGE, 1/4 GF	1







# FIGURE 29

## TRANSFER AUGER AND COMPONENTS

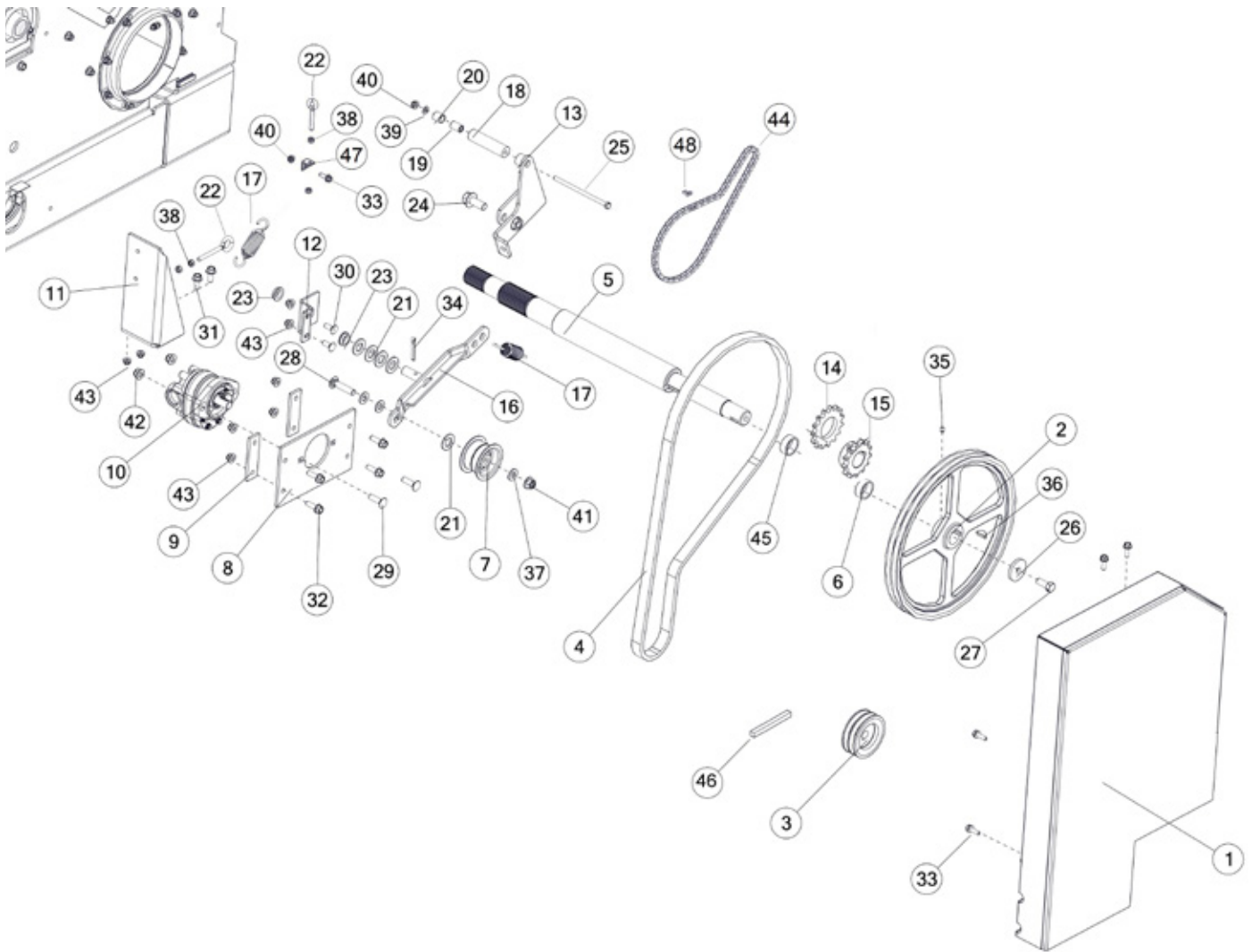
REF #	PART #	DESCRIPTION	QTY
1	78665	TRANSFER AUGER ASSEMBLY	1
2	89622	BEARING FLANGE GUARD	1
3	T40	BEARING W/LOCK COLLAR, 1	1
4	78254	AUGER COVER	1
5	74281	SHIM	1
6	YBFB12125	BOLT FLANGE, 3/8 X 1-1/4 G5	2
7	YNFG12006	NUT FLANGE, 3/8 GF	10
8	YWLO12005	WASHER LOCK, 3/8	2
9	YBFB12003	BOLT FLANGE, 3/8 X 1 G5 ZC	8
10	YNHX12005	NUT HEX, 3/8	2
11	YWFL12010	WASHER FLAT, 3/8	2





# FIGURE 30

## DRIVE PULLEY AND COMPONENTS







# FIGURE 30

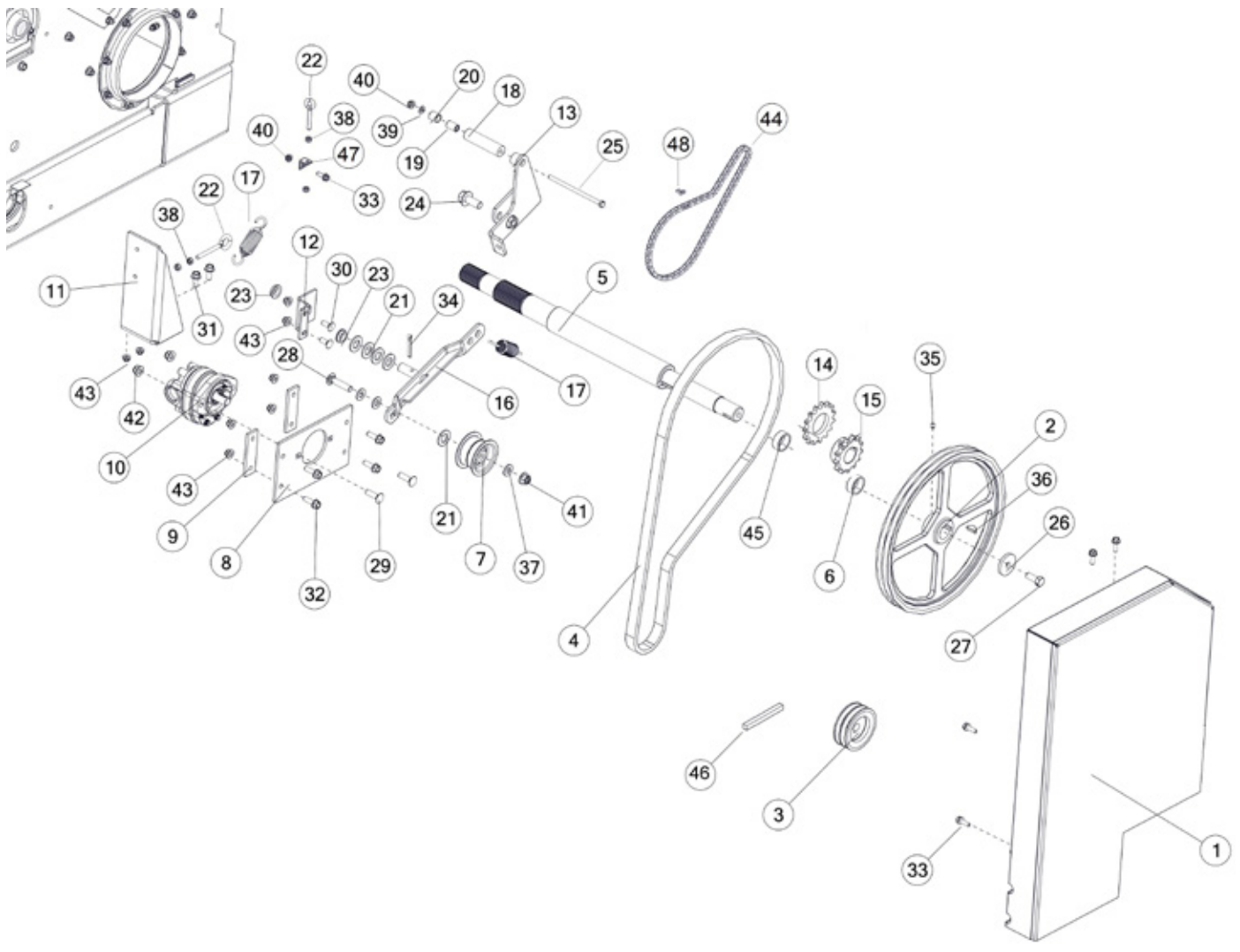
## DRIVE PULLEY AND COMPONENTS

REF #	PART #	DESCRIPTION	QTY
1	84454	BELT SHIELD	1
2	56635	PUMP DRIVE SHEAVE, 540 RPM	1
3	88022	BELT PULLEY	1
4	81621	BELT, 540	1
*	83926	BELT, 1000	1
5	80793	MAIN DRIVE SHAFT	1
6	84508	SPACER, 0.59	1
7	K156	WIDE TIGHTENER FOR DOUBLE BELT	1
8	81618	HYDRAULIC PUMP BRACKET	1
9	81620	PUMP SHIM, 0.19	2
10	81560	HYDRAULIC PUMP	1
11	84435	TENSIONER BRKT	1
12	84003	IDLER BRACKET TENSIONER	1
13	79711	CHAIN TENSIONER	1
14	GM251	MAIN DRIVE IDLER	1
15	TS36	SINGLE SPROCKET, 13	1
16	79716	BELT TENSIONER	1
17	GM410	EXTENSION SPRING	2
18	84429	SPACER, 4.875 TENSIONER	1
19	GM299	TENSIONER PIVOT	1
20	GM296	IDLER PIVOT BUSHING, 3/4OD X 5/8ID X 3/4	1
21	YWFL24020	WASHER FLAT, 3/4	5
22	YBTE10035	BOLT TURNED EYE, 5/16-18 X 3	2
23	90865	IDLER PIVOT BUSHING, BRONZE	2
24	YBFB20150	BOLT FLANGE, 5/8 X 1-1/2 G5	1
25	YBHH10135	BOLT HEX, 5/16-18 X 6 G5 ZC	1
26	GM415	INPUT YOKE WASHER	1
27	YBHH16046	BOLT HEX, 1/2-20 X 1-1/4 G5 ZC	1
28	YBCR16023	BOLT CARRIAGE, 1/2-13 X 2-1/4 G5 ZC	1
29	YBCR14007	BOLT CARRIAGE, 7/16-14 X 1-1/2 G5 ZC	2
30	YBCR12010	BOLT CARRIAGE, 3/8 X 1 G5	2
31	YBFB12003	BOLT FLANGE, 3/8 X 1 G5 ZC	2
32	YBFB12125	BOLT FLANGE, 3/8 X 1-1/4 G5	4
33	YBFB10001	BOLT FLANGE, 5/16 X 1 G5	5
34	YPCT08005	COTTER PIN, 1/4 X 1-3/4	1
35	YSKP10010	SCREW SOCKET HEAD, 5/16 X 3/8	1
36	G12	WOODRUFF KEY, 5/16 X 1	1
37	YWFL16015	WASHER FLAT, 1/2 G8	3
38	YNHX10010	NUT HEX, 5/16 G5	4





# FIGURE 30 DRIVE PULLEY AND COMPONENTS

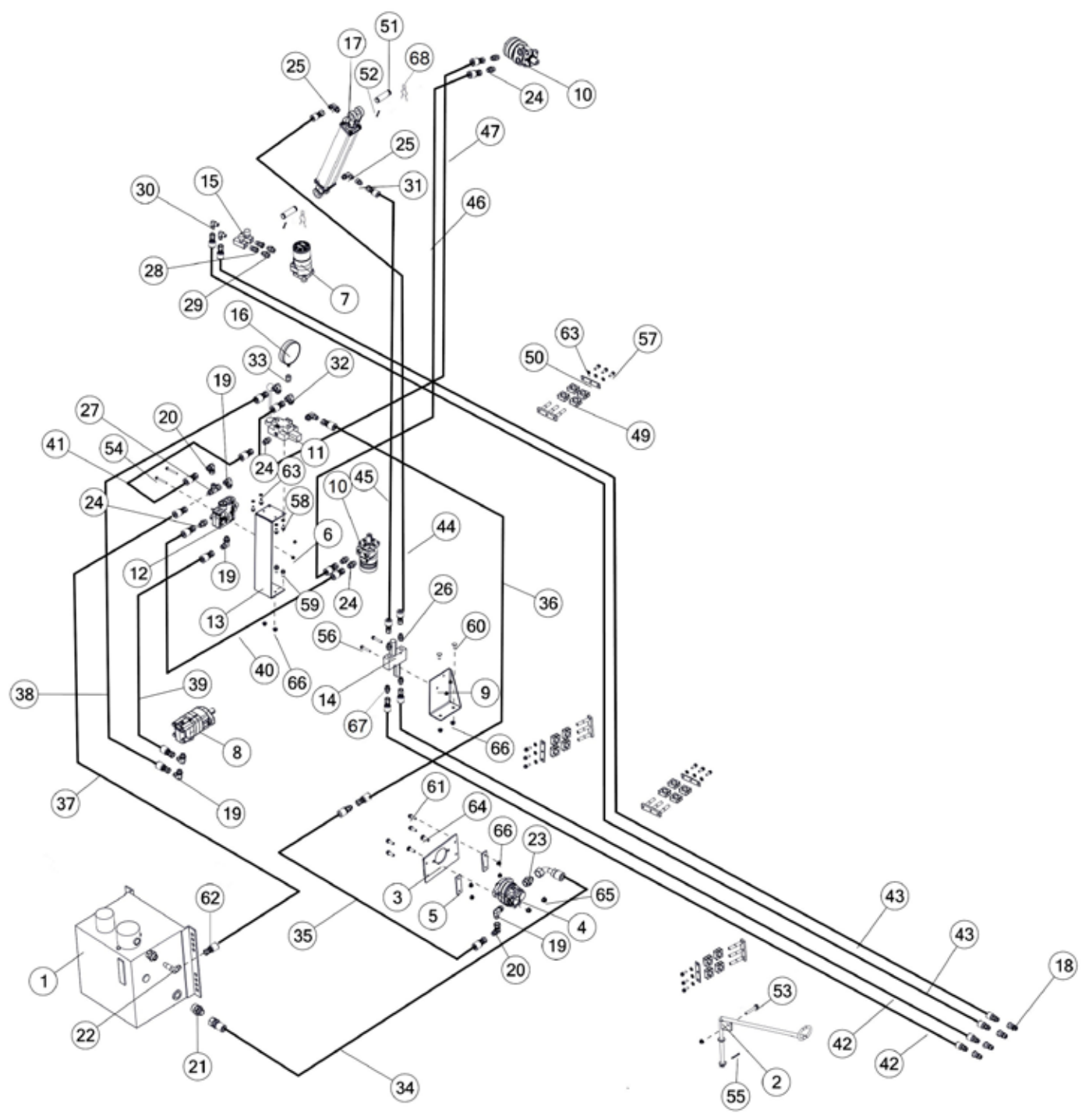






# FIGURE 31

## HYDRAULICS





# FIGURE 31

## HYDRAULICS

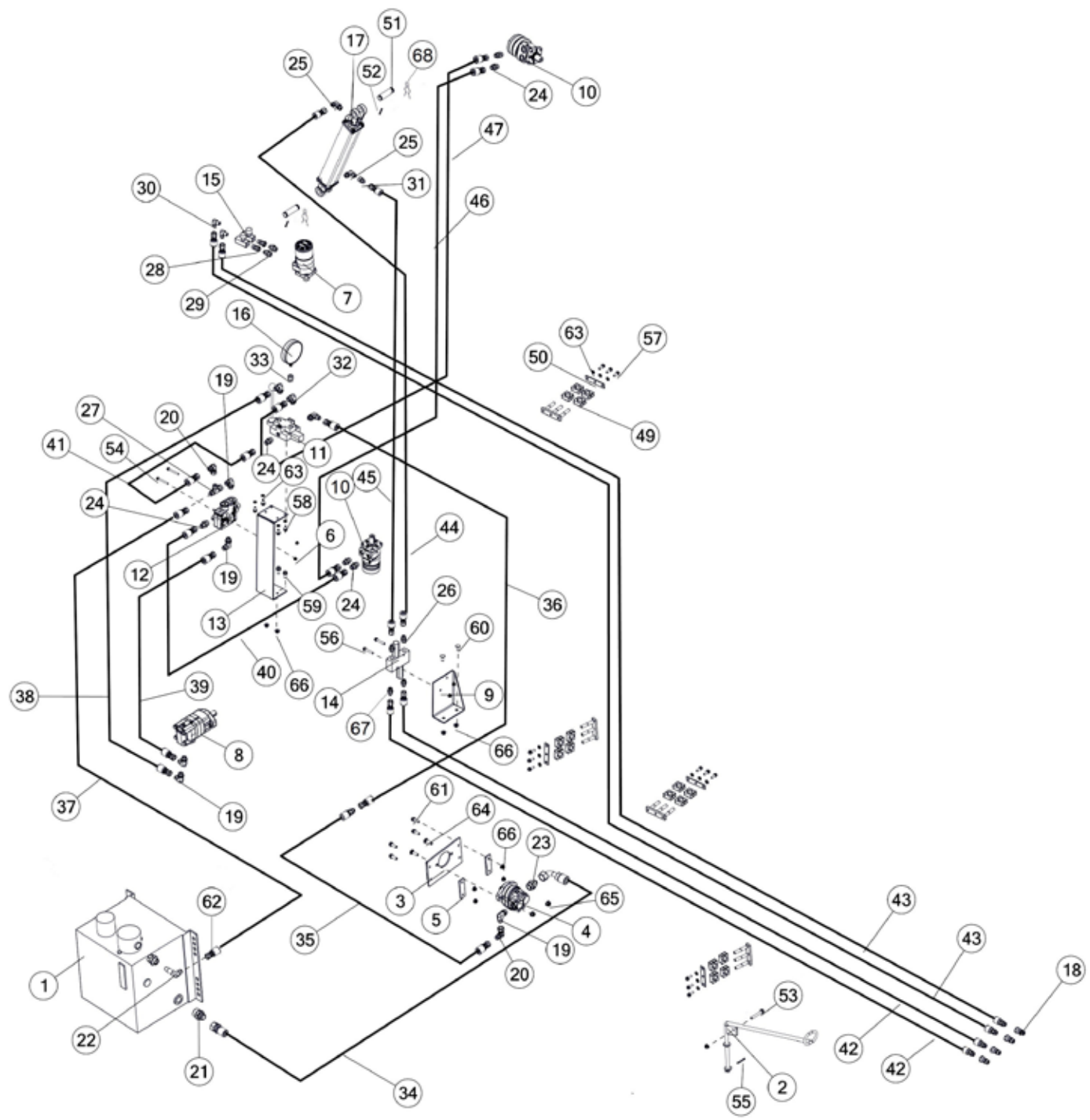
REF #	PART #	DESCRIPTION	QTY
1	815770B	HYD TANK, 12GAL	1
2	GM440	GRINDER HOSE HOLDER	1
3	81618	HYD PUMP BRACKET	1
4	81560	HYD PUMP	1
5	81620	PUMP SHIM, .19	2
6	YNFG08010	NUT FLANGE, 1/4 GF	2
7	81570	HYD MOTOR, 22.6CI	1
8	81565	HYD MOTOR, 6.2CI	1
9	84333	HYD VALVE BRKT	1
10	85344	HYD MOTOR, 10.1CI	2
11	81576	HYD VALVE, CONTROL	1
12	GM20	FLOW CONTROL	1
13	84297	CONTROL BRACKET	1
14	81571	HYD VALVE, CROSS PORT	1
15	CHM265	F600S PARKER COLOR FLOW NEEDLE VALVE	2
16	84937	HYD VALVE, GAUGE	1
17	78777	HYD CYLINDER, 2.5 X 18, ORB	1
18	67148	FITTING, ST, 8ORB, QUICK COUPLER TIP	3
19	GM56	FITTING 90, 10JIC X 10ORB	5
20	83997	FITTING 90, 10 JIC, 10 JIC	2
21	81644	FITTING, ST, 16JIC, 20NPT	1
22	84342	MALE ELBOW, 37DEC/NPT	1
23	TFM23	FITTING STRAIGHT, 16JIC X 16ORB	1
24	GM57	FITTING, ST, 10JIC, 10ORB, STL	6
25	TS135	FITTING, ELBOW, 8-C5OX-S	2
26	TS137	FITTING, ST, 8 JIC, 8 ORB, STL	2
27	GM55	FITTING, TEE, 10JIC X 10JIC X 10JIC	1
28	84724	MALE CONNECTOR 37 DEG SWIVEL	2
29	GM27	FITTING, ST, 8JIC, 10ORB, STL	2
30	TS136	FITTING, 90, 8JIC X 3/8NPT	2
31	58177	ORIFICE, 8 XHX7-S .062	2
32	83733	FITTING, 90, 10JIC X 8ORB	1
33	82668	FITTING, ST, 8ORB, 1/4NPT, STL	1
34	84338	HYD HOSE, 16, 80IN	1
35	83842	HYD HOSE, 10, 111IN	1
36	83844	HYD HOSE, 10, 254IN	1
37	83849	HYD HOSE, 10, 162IN	1
38	85986	HYD HOSE, 10, 40IN	1
39	83851	HYD HOSE, 10, 24IN	1



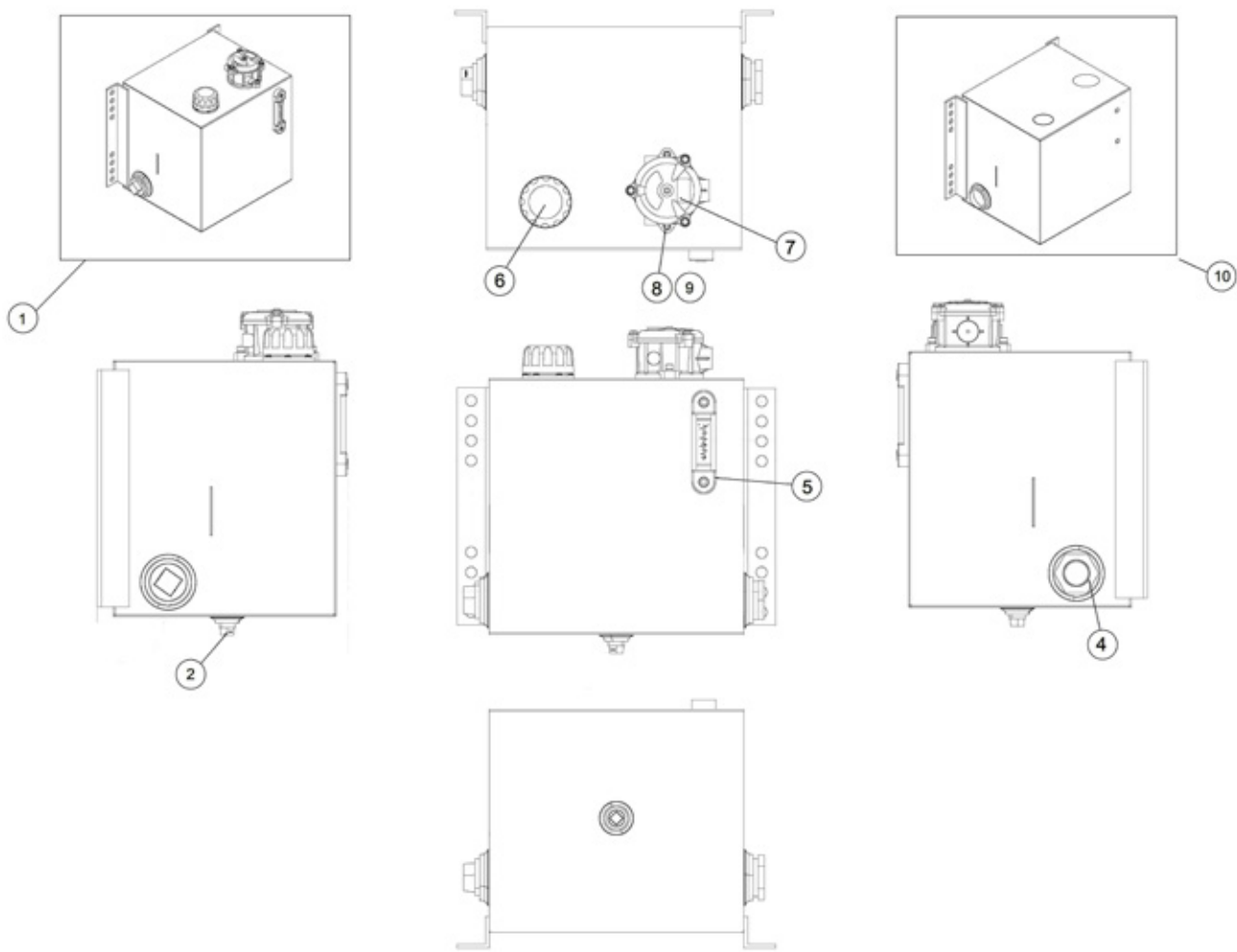


# FIGURE 31

## HYDRAULICS











# FIGURE 32

## HYDRAULIC TANK

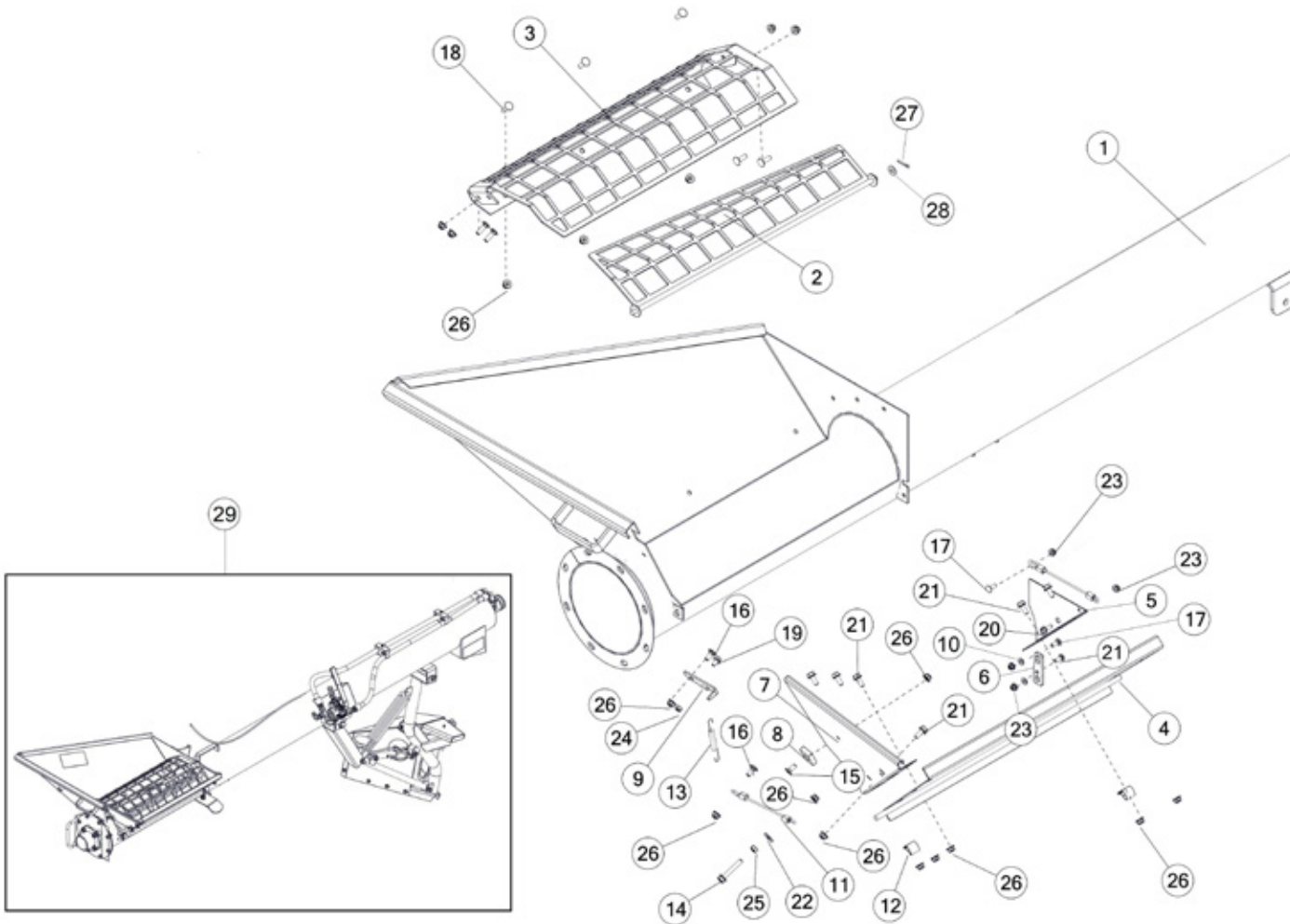
REF #	PART #	DESCRIPTION	QTY
1	81577B	COMPLETE HYDRAULIC TANK	1
2	90618	TANK PLUG	1
3	90952	DRAIN PLUG, MAGNET	1
4	90614	SUCTION STRAINER	1
5	90615	TANK GAUGE	1
6	90616	TANK BREATHER	1
7	90617	TANK FILTER	1
8	YSHS10010	BOLT SOCKET, 5/16 X 1-1/4	2
9	YWHC12006	WASHER LOCK, 5/16	2
10	90951	OIL TANK	1





# FIGURE 33

CONVENTIONAL SWINGING INTAKE AUGER OPTION  
(GMOCSIA)





# FIGURE 33

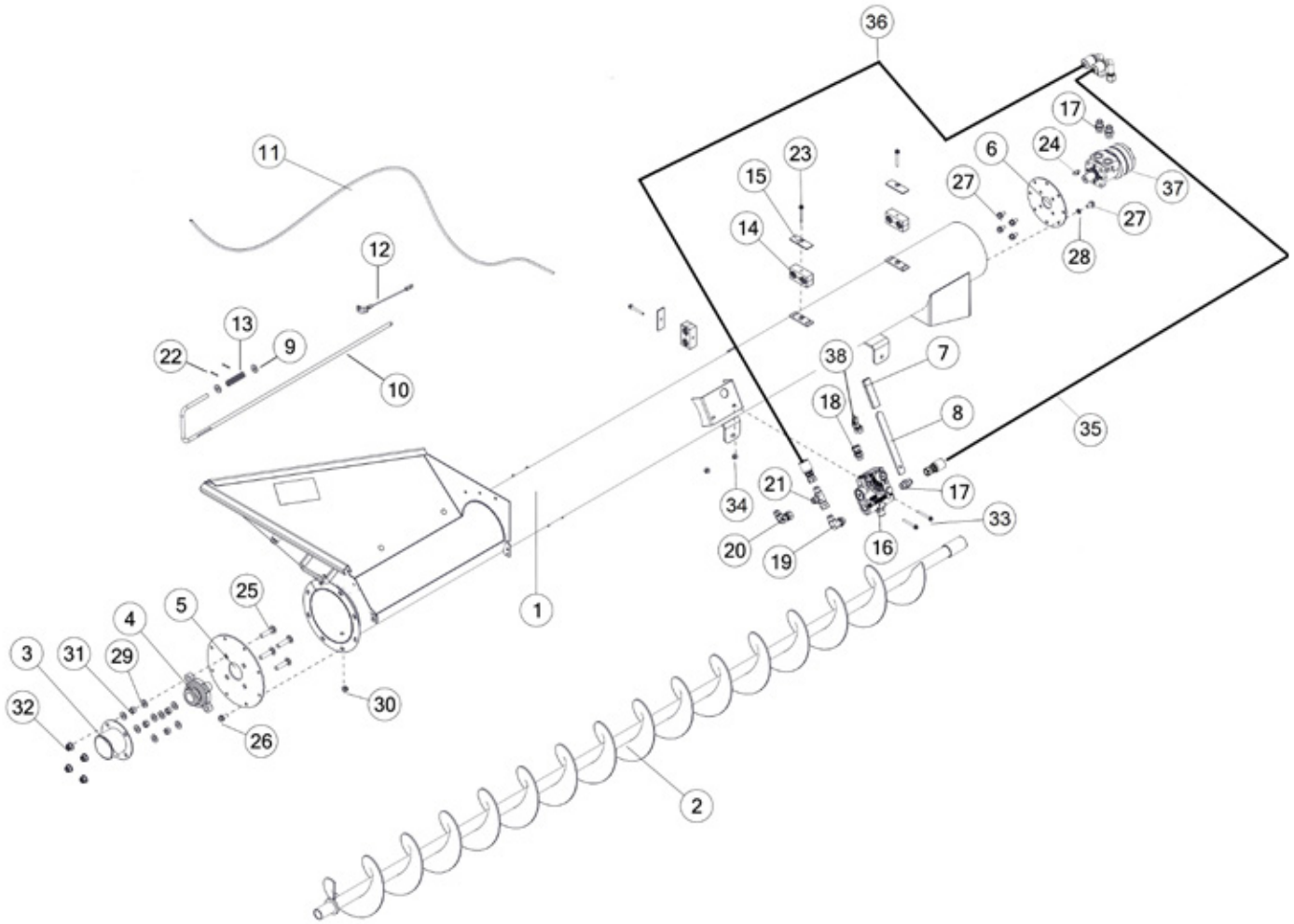
## CONVENTIONAL SWINGING INTAKE AUGER OPTION (GMOCSIA)

REF #	PART #	DESCRIPTION	QTY
1	86451B	INFEED AUGER	1
2	86493	HINGED GRATE	1
3	86500	AUGER GRATE, 8IN	1
4	86472	SIDE, 8 IN. AUGER	1
5	93732	TROUGH END PANEL	1
6	86575	HINGE BRACKET, INFEED	1
7	93736	TROUGH END PANEL	1
8	0161PL01	POLY BUMPER	1
9	GM188	TROUGH LATCH	1
10	YWFL08010	WASHER FLAT, 1/4 G8	4
11	71279	SLEEVE	4
12	HGV72	WIRE CLAMP, 3/4	2
13	GM208	LATCH SPRING	1
14	YBFB10200	BOLT FLANGE, 5/16 X 2 G5	1
15	YSFS10001	BOLT FLAT SOK, 5/16-18 X 3/4 ZC	1
16	YBCR10030	BOLT CARRIAGE, 5/16 X 3/4 G5	2
17	YBCR08040	BOLT CARRIAGE, 1/4 X 3/4 G5	3
18	YBCR10010	BOLT CARRIAGE, 5/16 X 1 G5	7
19	YBFB08005	BOLT FLANGE, 1/4 X 1/2 G5	1
20	YBFB08075	BOLT FLANGE, 1/4 X 3/4 G5	1
21	YBFB10075	BOLT FLANGE, 5/16 X 3/4 G5	7
22	YWFL10005	WASHER LOCK, 3/8	1
23	YNFG08010	NUT FLANGE, 1/4 GF	4
24	YNNY08005	NUT HEX, NYLON LOCKNUT, 1/4 G2	1
25	YNHX10010	NUT HEX, 5/16 G5	1
26	YNFG10005	NUT FLANGE, 5/16 GF	17
27	YPCT06002	COTTER PIN, 3/16 X 1	1
28	YWFL12005	WASHER FLAT, 3/8 G5	1
29	GMOCSIA	COMPLETE CONVENTIONAL SWING INTAKE AUGER	1





**FIGURE 34**  
CONVENTIONAL SWINGING INTAKE AUGER OPTION  
(GMOCSIA)





# FIGURE 34

## CONVENTIONAL SWINGING INTAKE AUGER OPTION (GMOCSIA)

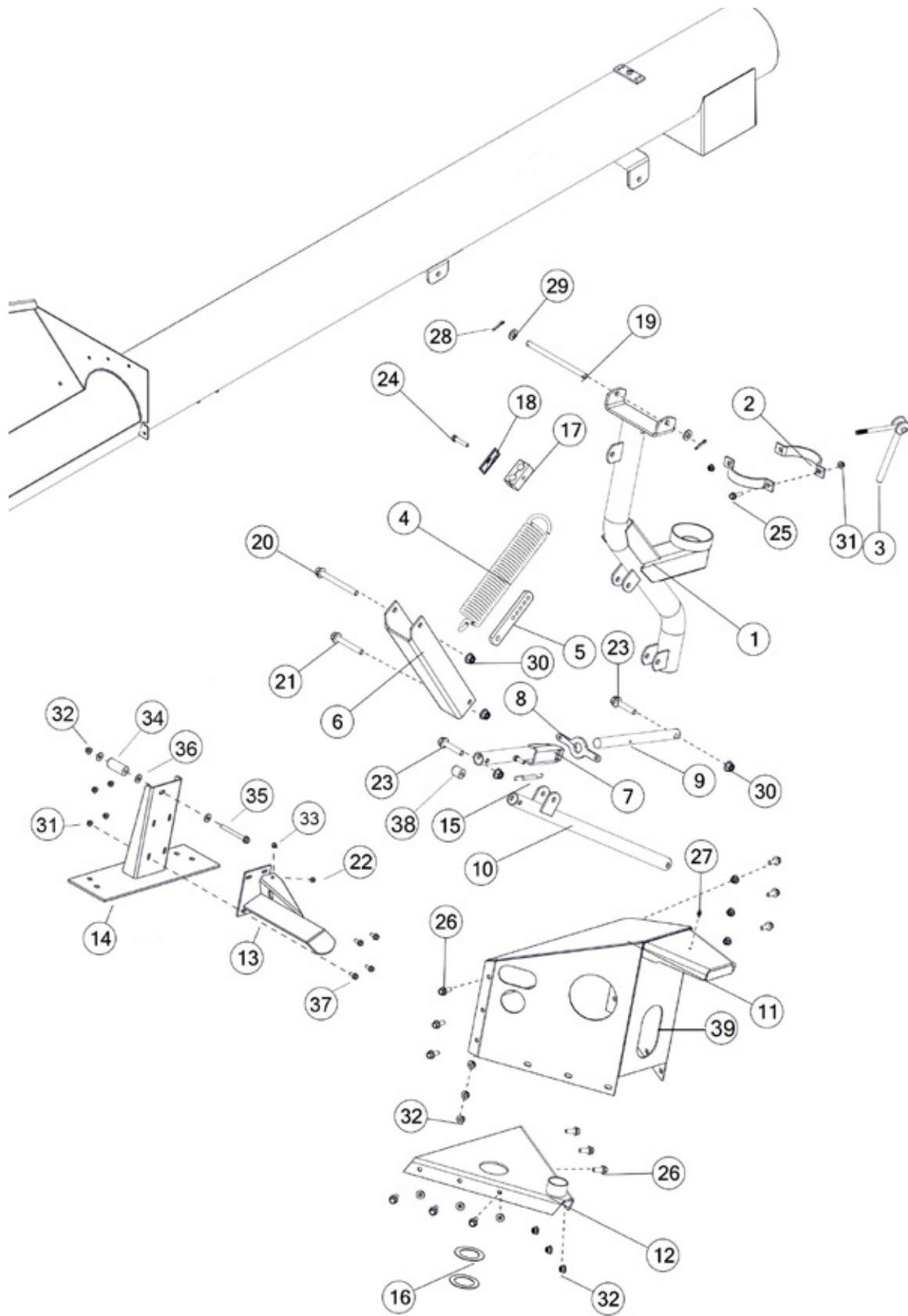
REF #	PART #	DESCRIPTION	QTY
1	86451B	INFEEED AUGER WELDMENT	1
2	86514	8 IN. INFEEED AUGER, ASSY	1
3	89611	BEARING FLANGE GUARD	1
4	78670	BALL BEARING, 1.50	1
5	85629	AUGER DRIVE CAP	1
6	GM245	AUGER INNER DRIVE CAP	1
7	GM370	HANDLE GRIP	1
8	89977	HANDLE BRACKET	1
9	YWFL16005	WASHER FLAT, 1/2	2
10	90689	HANDLE LATCH	1
11	GM434	TRIP ROPE	1
12	S122	LYNCH PIN W/CABLE	1
13	17G128	COIL SPRING	1
14	86579	HOSE CLAMP, DOUBLE, 5/8"	3
15	86581	T4 HOSE CLAMP COVER	3
16	GM20	FLOW CONTROL	1
17	GM57	FITTING, ST, 10JIC, 10ORB, STL	1
18	84907	FITTING ST, 5/8 JIC, 10 ORB	1
19	GM56	FITTING, 90, 10JIC X 10ORB	1
20	83997	FITTING 90, 10 JIC, 10 JIC	1
21	GM55	FITTING, TEE, 10JIC X 10JIC X 10JIC	1
22	YPCT04005	COTTER PIN, 1/8 X 1	2
23	YBFB08225	BOLT FLANGE, 1/4 X 2-1/4 G5	3
24	5B10	WDF KEY, 1/4 X 1	1
25	YBCR16023	BOLT CARRIAGE, 1/2-13 X 2-1/4 G5 ZC	4
26	YBFB12003	BOLT FLANGE, 3/8 X 1 G5	8
27	YBFB12075	BOLT FLANGE, 3/8 X 3/4 G5	4
28	YWLO12005	WASHER LOCK, 3/8	12
29	YWFL16010	WASHER FLAT, SAE 1/2	8
30	YNFG12006	NUT FLANGE, 3/8 GF	8
31	YNHX16005	NUT HEX, 1/2-13 NAA ZC	4
32	YNFG16003	NUT FLANGE, 1/2 GF	4
33	YBFB08250	BOLT FLANGE, 1/4 X 2-1/2	2
34	YNFG08010	NUT FLANGE, 1/4	2
35	89985	HYDRAULIC HOSE, 10, 52IN	1
36	89988	HYDRAULIC HOSE, 10, 62IN	1
37	78105	HYDRAULIC MOTOR	1
38	92905	FITTING 45, 10JIC, 10JIC	1





# FIGURE 35

CONVENTIONAL SWINGING INTAKE AUGER OPTION  
(GMOCSIA)





# FIGURE 35

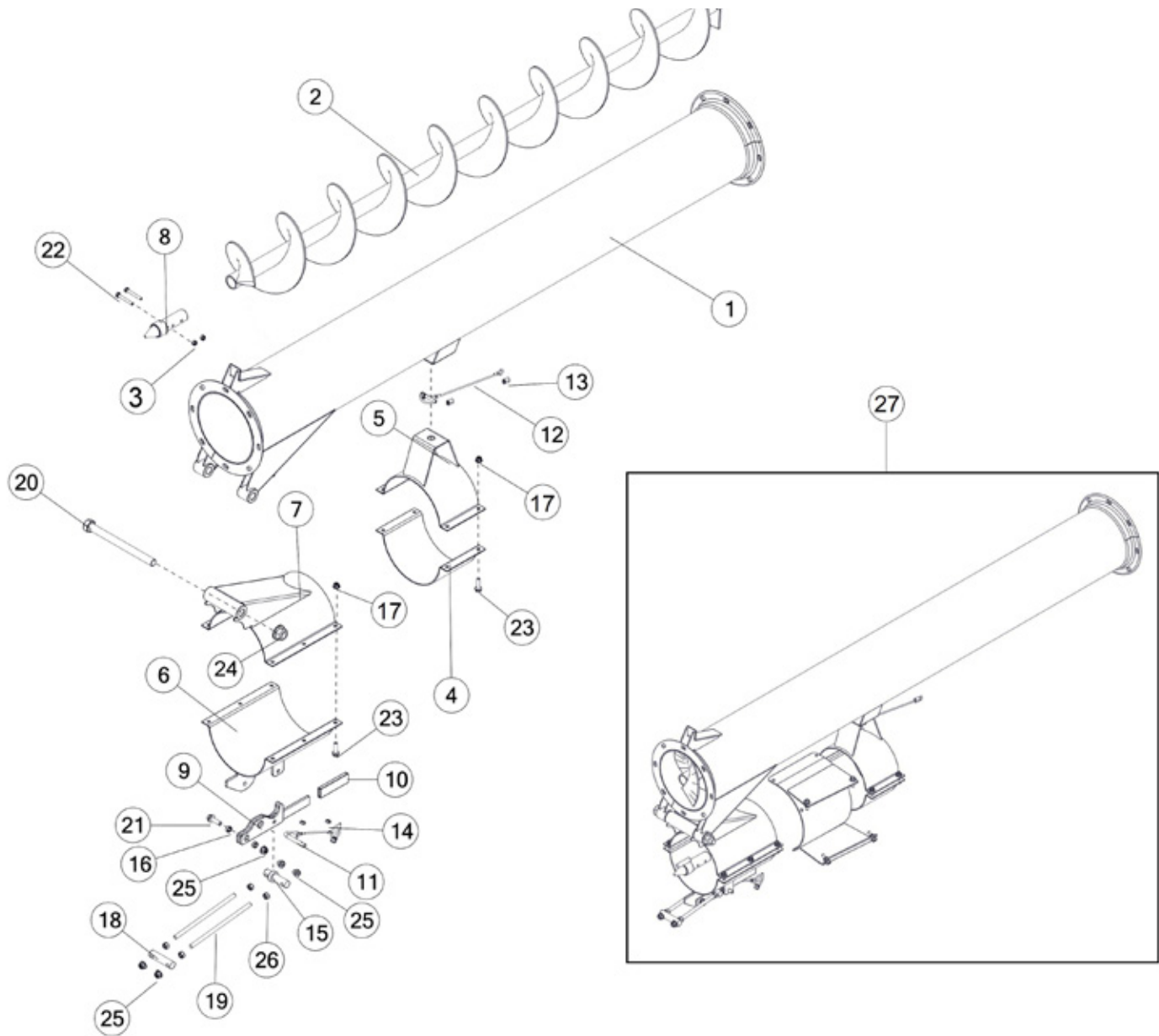
## CONVENTIONAL SWINGING INTAKE AUGER OPTION (GMOCSIA)

REF #	PART #	DESCRIPTION	QTY
1	GM212	TUBE TROUGH PIVOT	1
2	GM213	BRAKE BAND	2
3	GM217	TIGHTENER ASSY	1
4	GM204	SPRING	1
5	GM206	SPRING ADJUSTMENT	1
6	GM203	SEGMENT LIFT SUPPORT	1
7	GM209	TUBE LIFT ASSY	1
8	GM210	AUGER LIFT LOCK	2
9	GM211	SHAFT LIFT	1
10	GM207	PIVOT LINKAGE	1
11	90998	PIVOT SUPPORT TOP	1
12	91003	SUPPORT PIVOT LOWER	1
13	90693	INFEED SUPPORT BRACKET	1
14	95643	VERTICAL SUPPORT	1
15	GM208	LATCH SPRING	1
16	GM219	PIVOT WASHER	1
17	86579	HOSE CLAMP, DOUBLE, 5/8 (SET OF 2)	2
18	86581	HOSE CLAMP COVER	2
19	GM458	PIVOT PIN (065461)	1
20	YBFB16500	BOLT FLANGE, 1/2 X 5 G5	1
21	YBFB16400	BOLT FLANGE, 1/2 X 4 G5	1
22	YBFB08075	BOLT FLANGE, 1/4 X 3/4 G5	1
23	YBFB16250	BOLT FLANGE, 1/2 X 2-1/2 G5	1
24	YBFB10225	BOLT FLANGE, 5/16 X 2-1/4 G5	2
25	YBFB16125	BOLT FLANGE, 1/2 X 1-1/4 G5	1
26	YBFB12003	BOLT FLANGE, 3/8 X 1 G5	2
27	RG51	ZERK, 90 DEGREE 1/4-28	11
28	YPCT06002	COTTER PIN, 3/16 X 1	1
29	YWFL16010	WASHER FLAT, SAE 1/2	2
30	YNFG16003	NUT FLANGE, 1/2 GF	2
31	YNFG10005	NUT FLANGE, 5/16 GF	4
32	YNFG12006	NUT FLANGE, 3/8 GF	4
33	YNFG08010	NUT FLANGE, 1/4 GF	11
34	90244	CYLINDER SPACER	1
35	YBFB12400	BOLT FLANGE, 3/8 X 3-1/2	1
36	YWFL12005	FLAT WASHER, 3/8	1
37	YBFB10075	BOLT FLANGE, 5/16 X 3/4	3
38	GM205	SPACER	5
39	93718	EDGING, 3 X 5.875	1





**FIGURE 36**  
**6' FOLDING EXTENSION OPTION (GMOEXT6)**



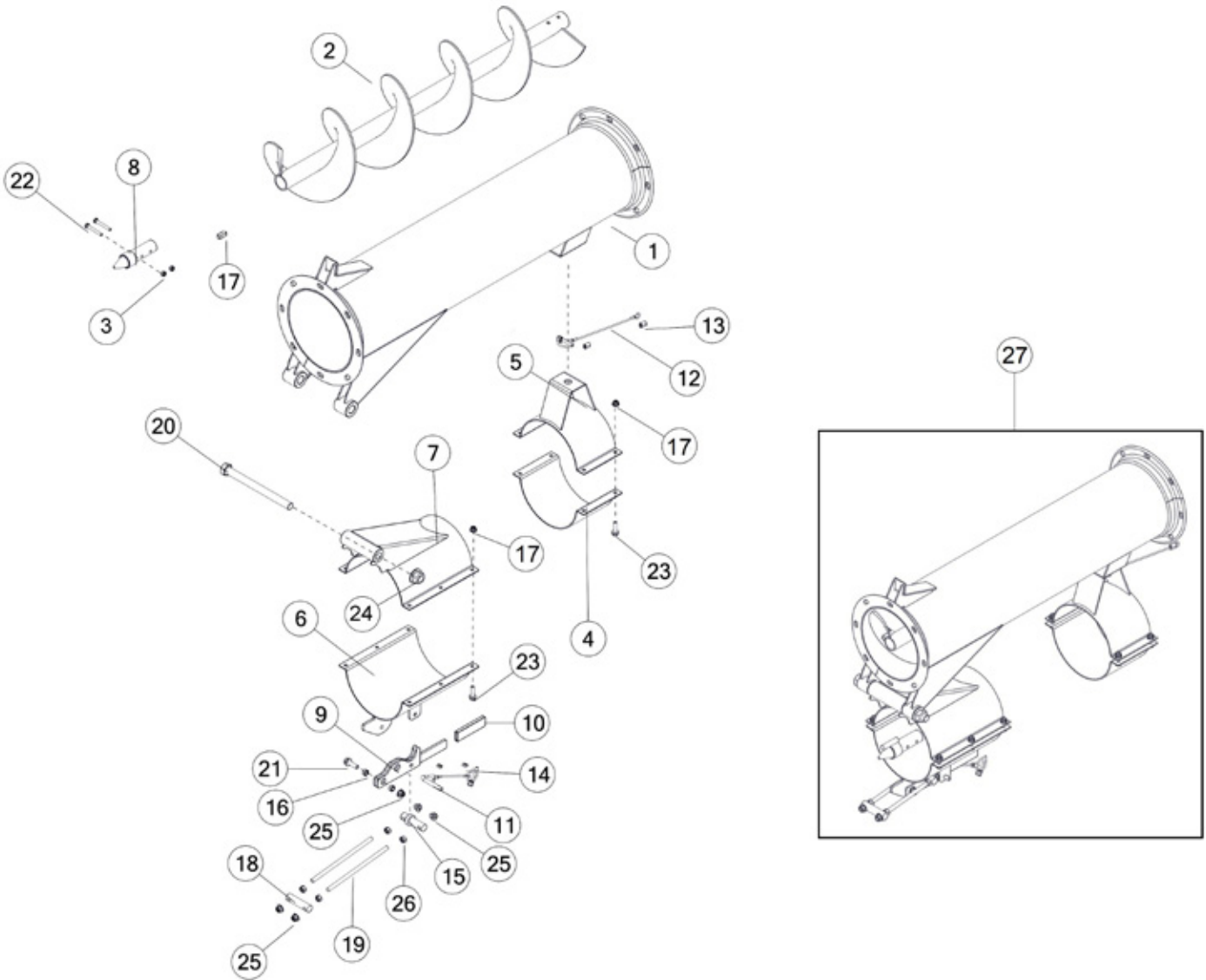




# FIGURE 36 6' FOLDING EXTENSION OPTION (GMOEXT6)

REF #	PART #	DESCRIPTION	QTY
1	GM278	EXTENSION HOUSING, 6FT W/DECALS	1
2	GM531	EXTENSION AUGER, CUPPED FLIGHTING 6FT	1
3	YNNY08005	NUT HEX, 1/4-20 LKNY G2 ZC	2
4	GM289	TRANSPORT LOCK CLAMP	1
5	GM290	TRANSPORT LOCK LATCH	1
6	GM284	LATCH CLAMP W/DECALS	1
7	GM283	PIVOT CLAMP	1
8	GM282	AUGER CONNECT SHAFT	1
9	GM285	LATCH HANDLE	1
10	GM370	HANDLE GRIP	1
11	GM573	LATCH PIN W/CLIP PIN & LANYARD	1
12	S122	LYNCH PIN W/CABLE	1
13	71279	SLEEVE	2
14	ES15	CABLE CLAMP, 1/8	2
15	GM369	LATCH PIVOT PIN	1
16	GM180	DOOR PIVOT	2
17	YNFG10005	NUT FLANGE, 5/16 GF	14
18	GM286	LATCH PIVOT SHAFT	1
19	GM287	LATCH ROD	2
20	YBHH24120	BOLT HEX, 3/4-10 X 9 G5 ZC	1
21	YBFB12125	BOLT FLANGE, 3/8 X 1-1/4 G5	1
22	YBHH08045	BOLT HEX, 1/4 X 2 G5	2
23	YBFB10125	BOLT FLANGE, 5/16 X 1-1/4 G5	10
24	YNFG24006	NUT FLANGE, TOP LOCK, 3/4 GG	1
25	YNFG12006	NUT FLANGE, 3/8 GF	5
26	YNHX12004	NUT HEX, 3/8 G2	4
27	GMOEXT6	COMPLETE 6' FOLDING EXTENSION	1





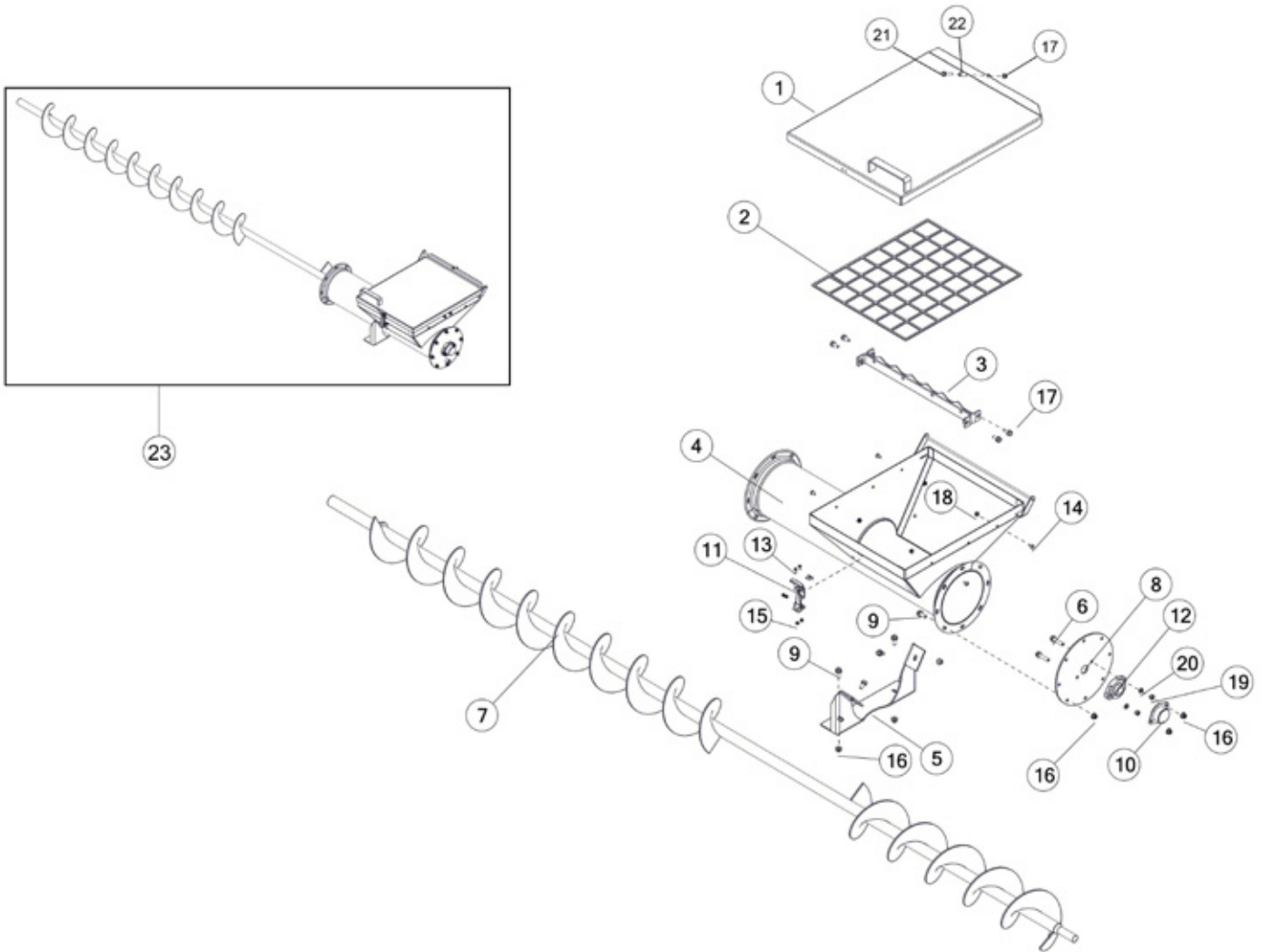


# FIGURE 37

## 3' FOLDING EXTENSION OPTION (GMOEXT3)

REF #	PART #	DESCRIPTION	QTY
1	GM279	EXTENSION HOUSING, 3FT W/DECALS	1
2	GM530	EXTENSION AUGER, CUPPED FLIGHTING 3FT	1
3	YNNY08005	NUT HEX, NYLON LOCKNUT, 1/4 G2	2
4	GM289	TRANSPORT LOCK CLAMP	1
5	GM290	TRANSPORT LOCK LATCH	1
6	GM284	LATCH CLAMP W/DECALS	1
7	GM283	PIVOT CLAMP	1
8	GM282	AUGER CONNECT SHAFT	1
9	GM285	LATCH HANDLE	1
10	GM370	HANDLE GRIP	1
11	GM573	LATCH PIN W/CLIP PIN & LANYARD	1
12	S122	LYNCH PIN W/CABLE	1
13	71279	SLEEVE	2
14	ES15	CABLE CLAMP, 1/8	2
15	GM369	LATCH PIVOT PIN	1
16	GM180	DOOR PIVOT	2
17	YNFG10005	NUT FLANGE, 5/16 GF	14
18	GM286	LATCH PIVOT SHAFT	1
19	GM287	LATCH ROD	2
20	YBHH24120	BOLT HEX, 3/4-10 X 9 G5 ZC	1
21	YBFB12125	BOLT FLANGE, 3/8 X 1-1/4 G5	1
22	YBHH08045	BOLT HEX, 1/4 X 2 G5	2
23	YBFB10125	BOLT FLANGE, 5/16 X 1-1/4 G5	10
24	YNFG24006	NUT FLANGE, TOPLOCK, 3/4 GG	1
25	YNFG12006	NUT FLANGE, 3/8 GF	5
26	YNHX12004	NUT HEX, 3/8 G2	4
27	GMOEXT3	COMPLETE 3' FOLDING EXTENSION	1





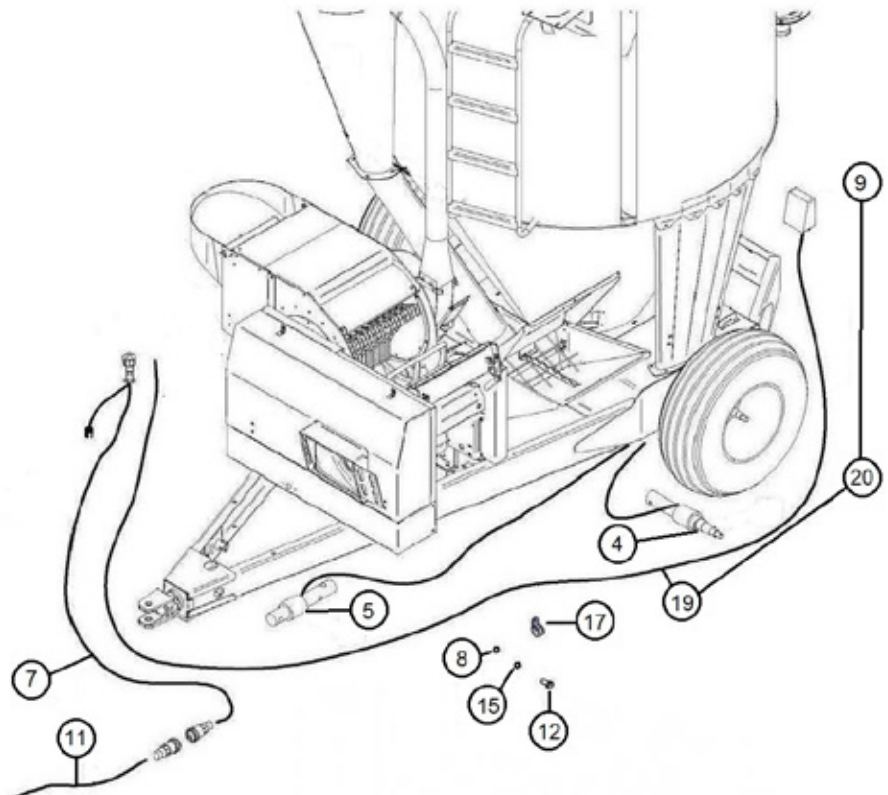
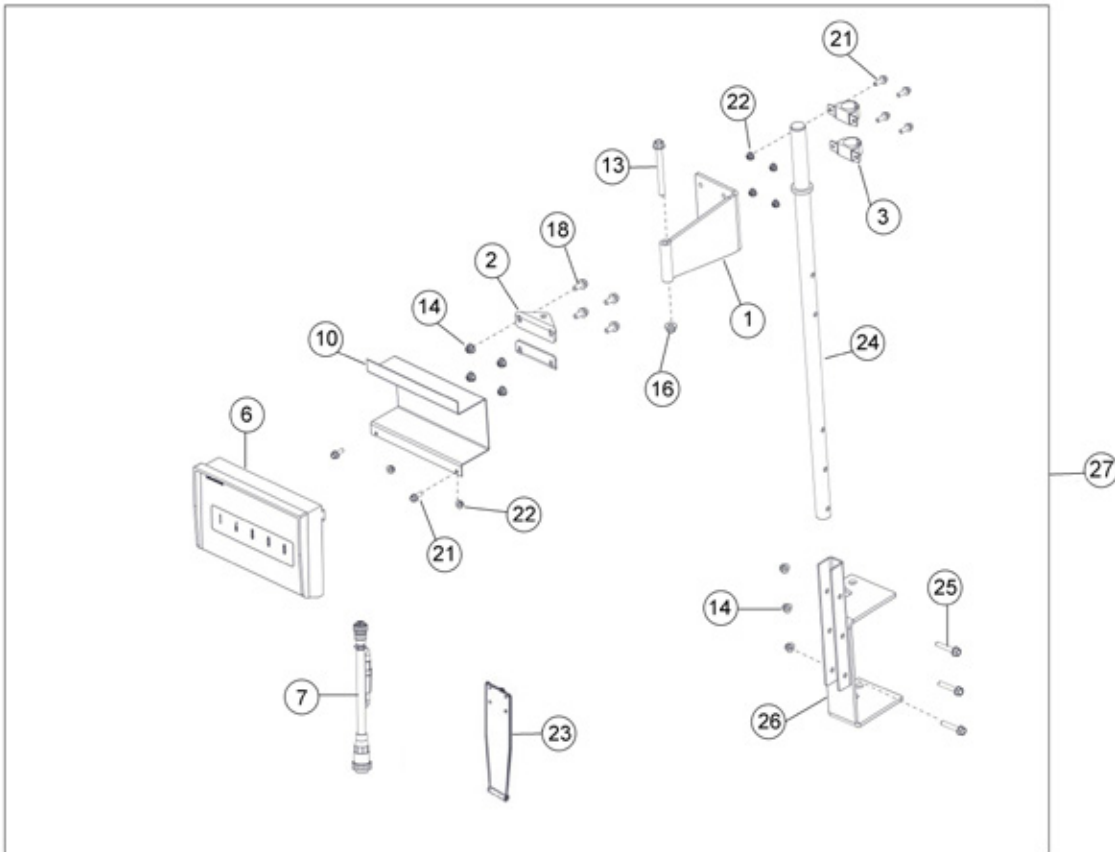


# FIGURE 38

## REAR SUPPLEMENT HOPPER OPTION (GMORSH)

REF #	PART #	DESCRIPTION	QTY
1	85805B	HOPPER COVER, REAR	1
2	85422	STL PANEL, SCREEN	1
3	90834	BAG BREAKER	1
4	85815	FEED TANK	1
5	85390	HOPPER BRKT, REAR	1
6	YBFB12175	BOLT FLANGE, 3/8 X 1-3/4 G5	2
7	89995	AUGER ASSY, TRANSFER	1
8	78254	AUGER COVER	1
9	YBFB12003	BOLT FLANGE, 3/8 X 1 G5	12
10	89622	BEARING FLANGE GUARD	1
11	X233	LATCH ASSEMBLY, 079-0101	1
12	T40	BEARING, 2 BOLT, 1 BORE W/COLLAR	1
13	YSP64005	MISC, PHILLIPS PAN HEAD TYPE, 10-32 X 1/2	4
14	YSTP08005	TRUSS HEAD PHILLIPS MACH. SCREW, 1/4-20 X 1/2	4
15	YNNY64006	NUT HEX, 10-32 SS	4
16	YNFG12006	NUT FLANGE, 3/8 GF	14
17	YBFB10075	BOLT FLANGE, 5/16 X 3/4 G5	2
18	YNFG08010	NUT FLANGE, 1/4 GF	4
19	YNHX12005	NUT HEX, 3/8	2
20	YWLO12005	WASHER LOCK, 3/8	2
21	YBFB08150	BOLT FLANGE, 1/4 X 1-1/2 G5	1
22	90842	CYLINDER SPACER, 1	1
23	GMORSH	COMPLETE REAR SUPPLEMENT HOPPER	1





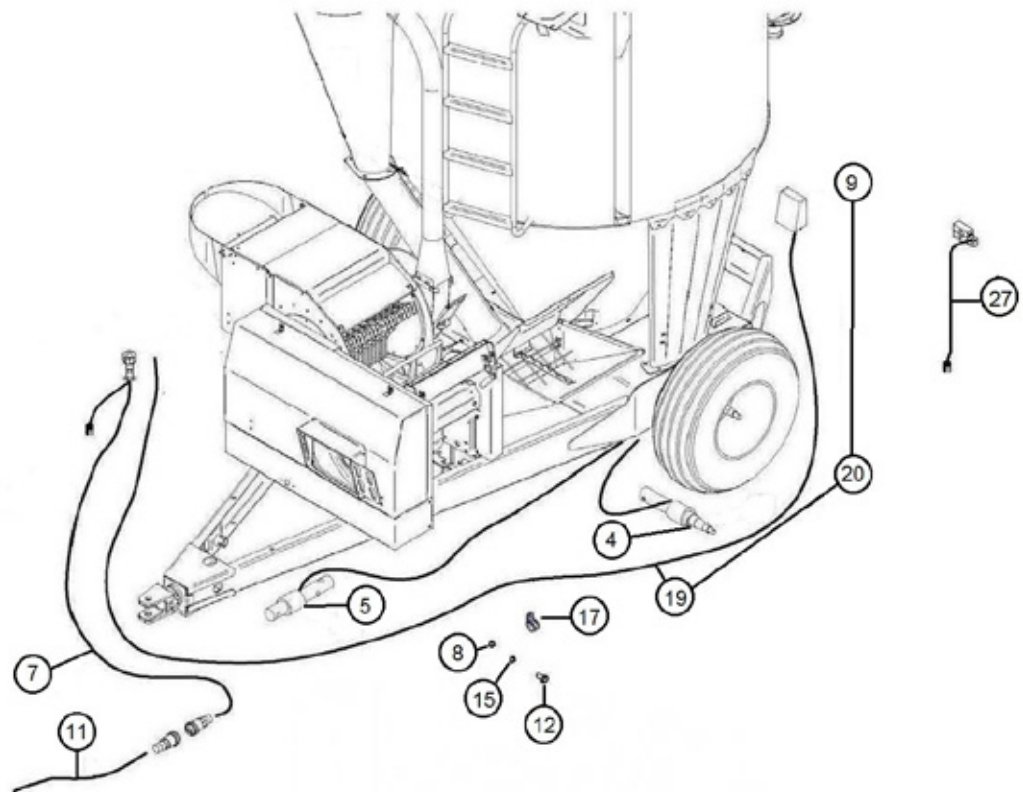
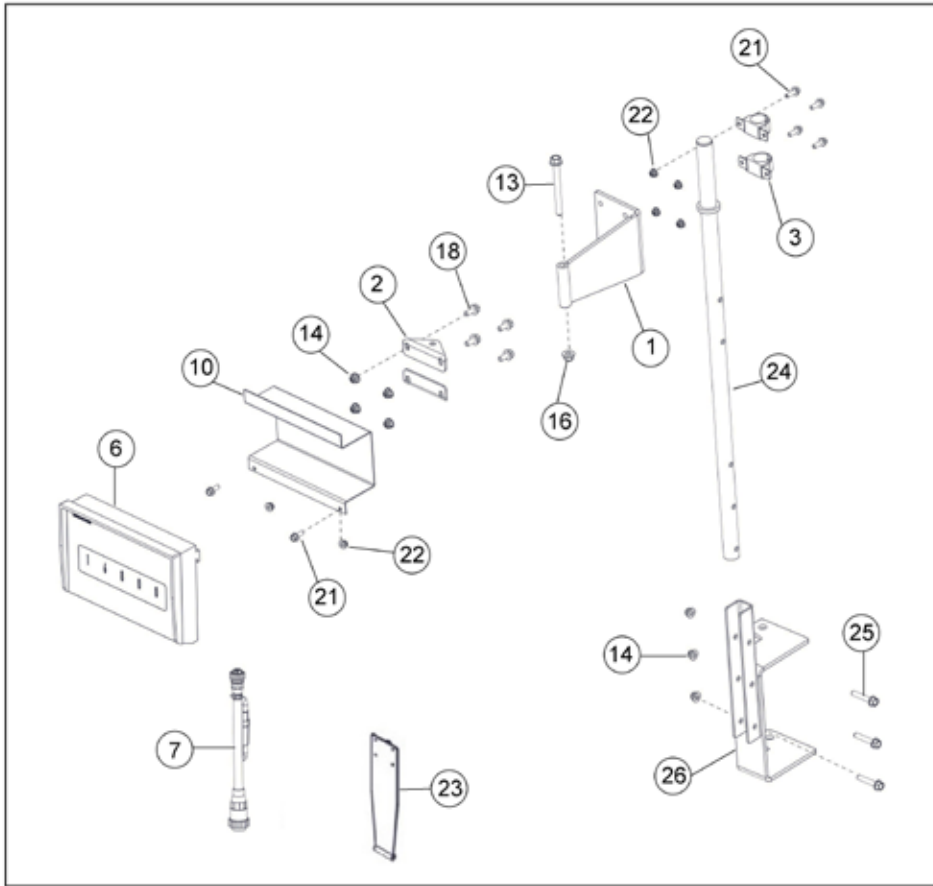


# FIGURE 39

## 2500 SCALE OPTION (GMOBSSCL)

REF #	PART #	DESCRIPTION	QTY
1	85110	SCALE BRACKET	1
2	GM401	SCALE BRACKET	2
3	92900	TUBE CLAMP	2
4	GM402	SPINDLE LOAD CELL	2
5	GM403	HITCH LOAD CELL	1
6	GM404	SCALE DISPLAY	1
7	77616	ELECTRIC HARNESS, POWER	1
8	YNHX08005	NUT HEX, 1/4	1
9	GM407	JUNCTION BOX	1
10	GM408	SCALE HANGER BRACKET	1
11	16SV269	TRACTOR CONTROL CORD	1
12	YBHH08100	BOLT HEX, 1/4	1
13	YBFB12400	BOLT FLANGE, 3/8 X 4 G5	1
14	YNFG10005	NUT FLANGE, 5/16	7
15	YWLO08005	WASHER LOCK, 1/4	1
16	YNFG12006	NUT FLANGE, 3/8	1
17	HGV162	RUBBER WIRE HOLDER, 1/2	1
18	YBFB10075	BOLT FLANGE, 5/16 X 3/4 G5	4
19	GM406	JUNCTION BOX CORD	1
20	77617	JUNCTION BOX KIT, INCLUDES ITEM 9 & 19	1
21	YBFB08075	BOLT FLANGE, 1/4 X 3/4 G5	6
22	YNFG08010	NUT FLANGE, 1/4	6
23	90847	SCALE BRACKET	1
24	85120	SCALE BRACKET, POST	1
25	YBFB10175	BOLT FLANGE, 5/16 X 1-3/4 G5	1
26	85125	SCALE BRACKET	1
27	GMOBSSCL	2500 SCALE OPTION	1





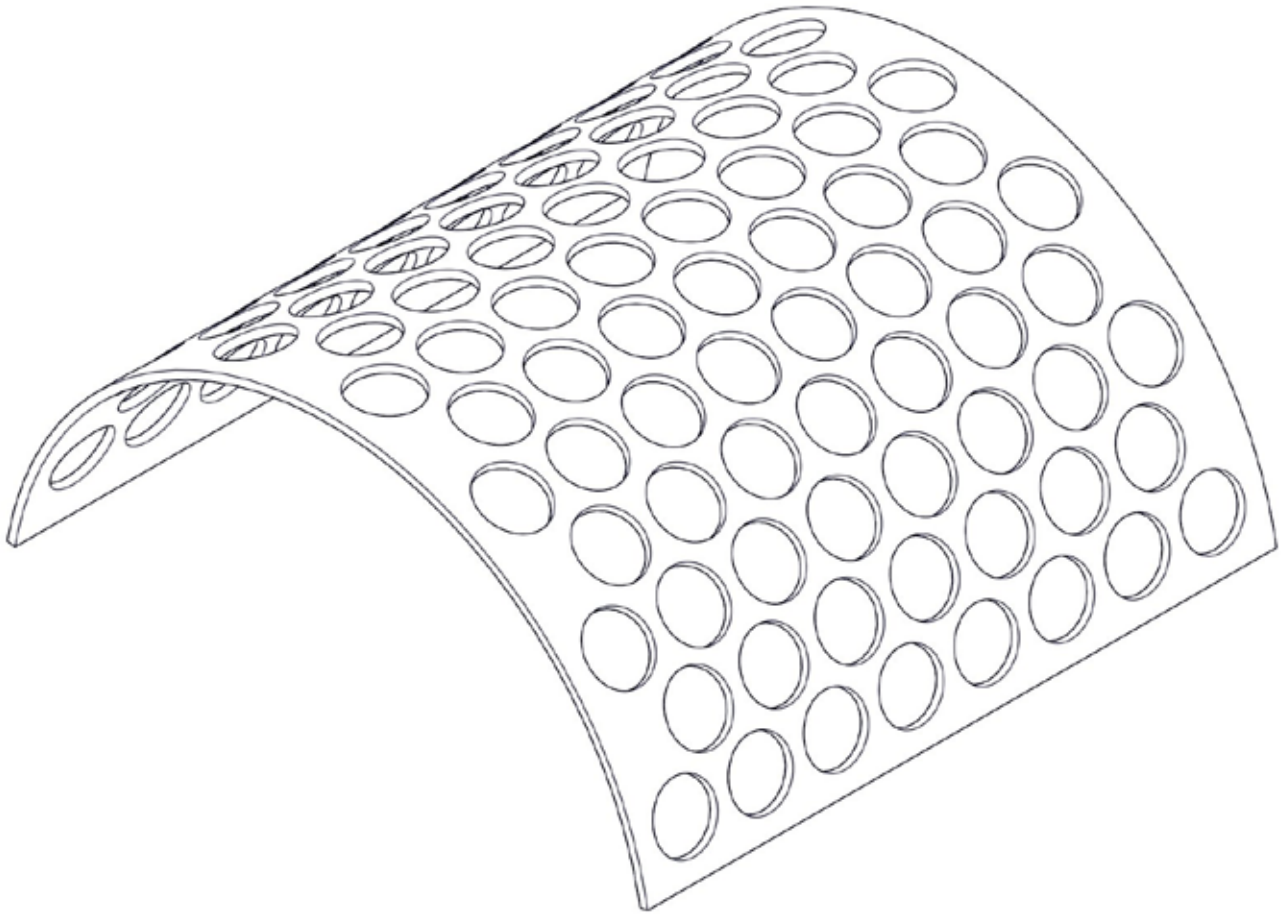




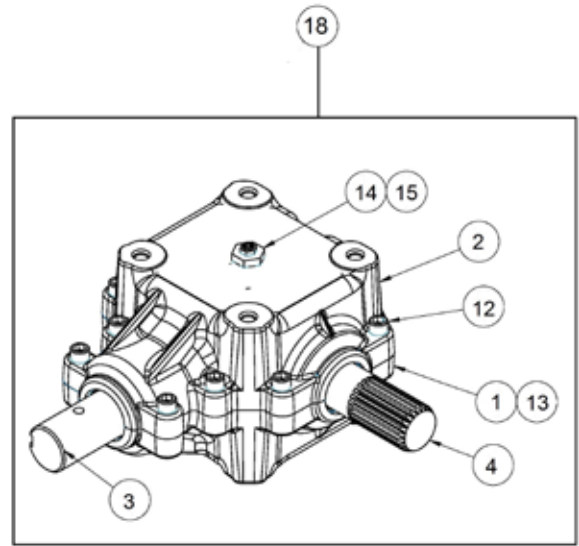
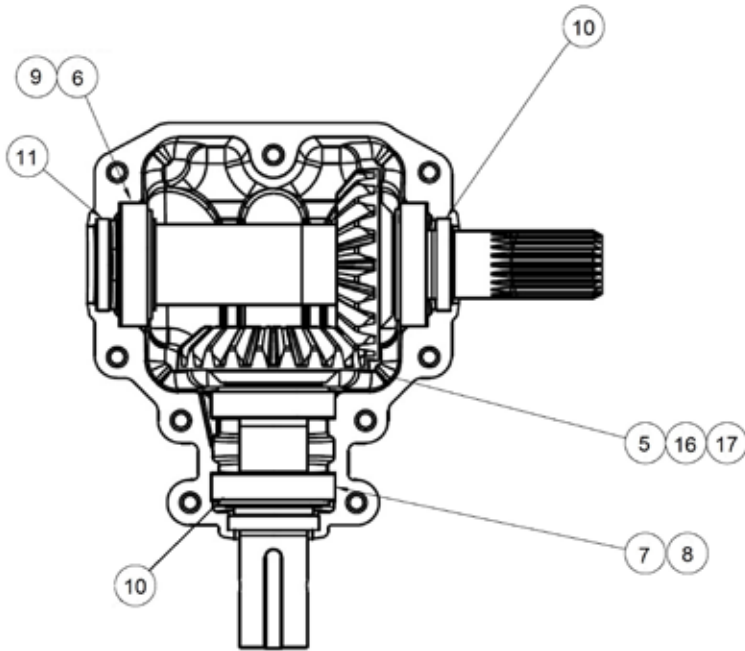


# FIGURE 41

## MILL SCREEN OPTIONS





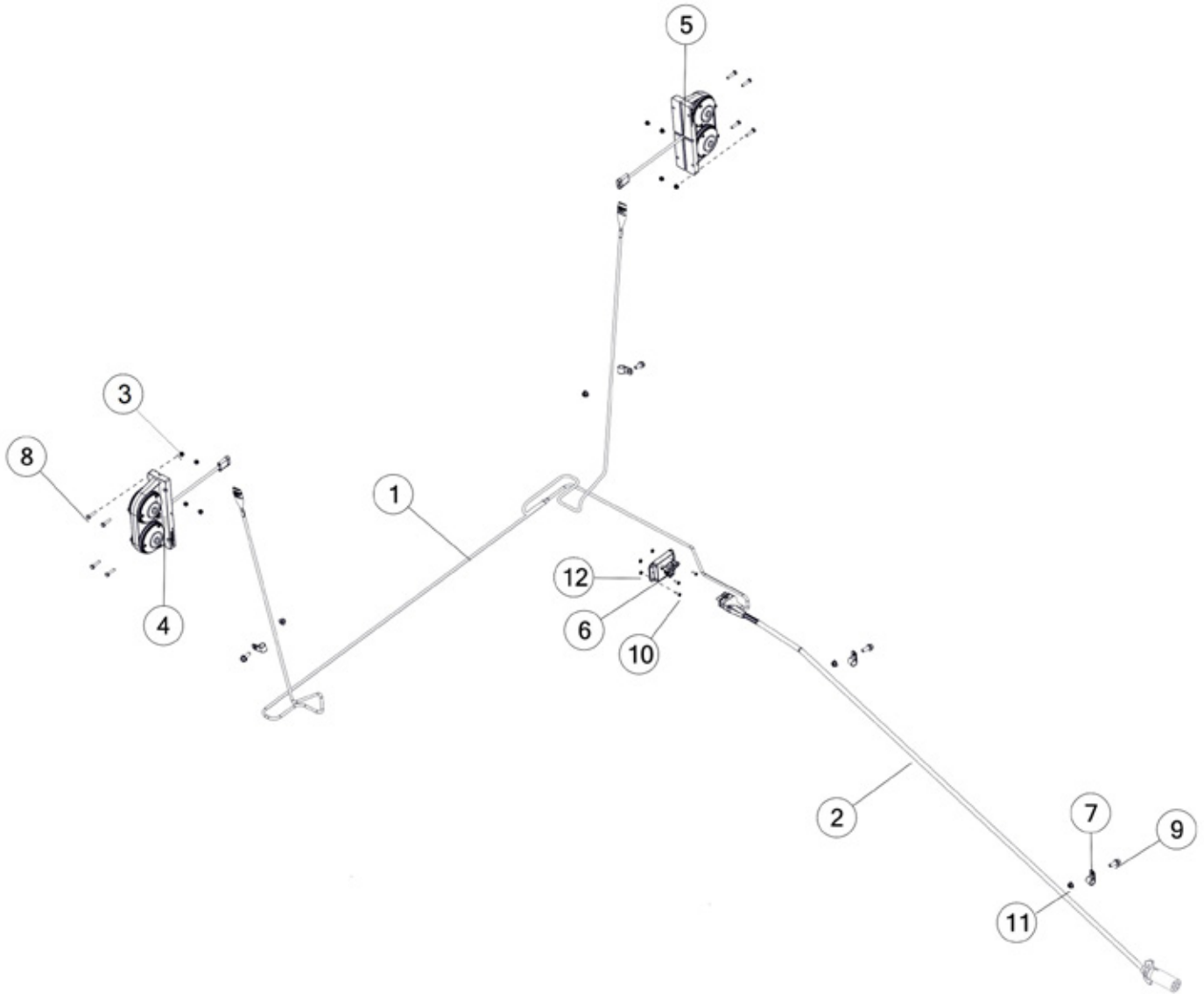






# FIGURE 43

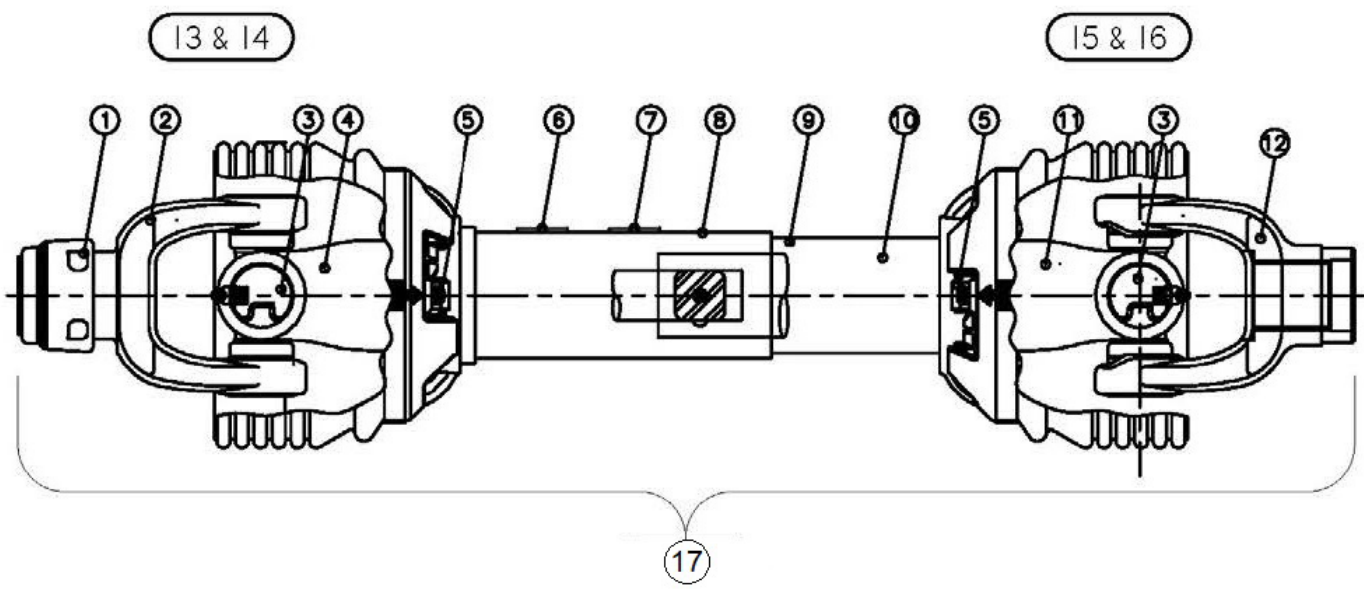
## LIGHTS







**FIGURE 44**  
540 RPM PTO

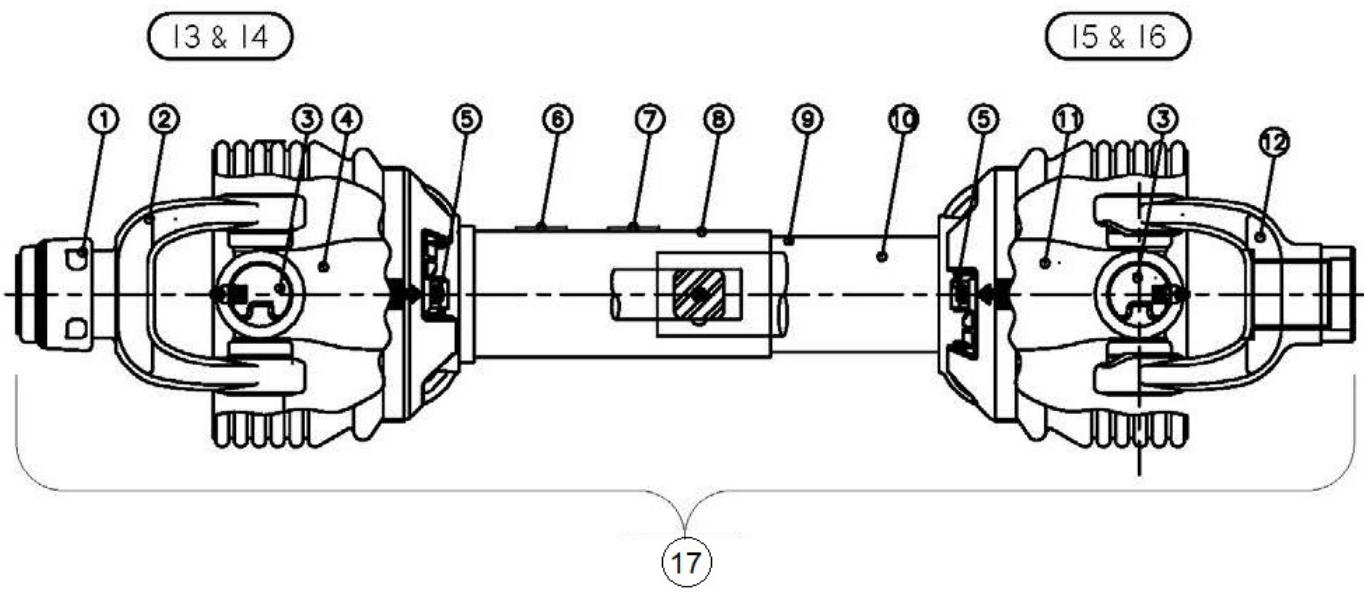








**FIGURE 45**  
1000 RPM PTO OPTION (GMORPM10)





**FIGURE 45**  
**1000 RPM PTO OPTION (GMORPM10)**

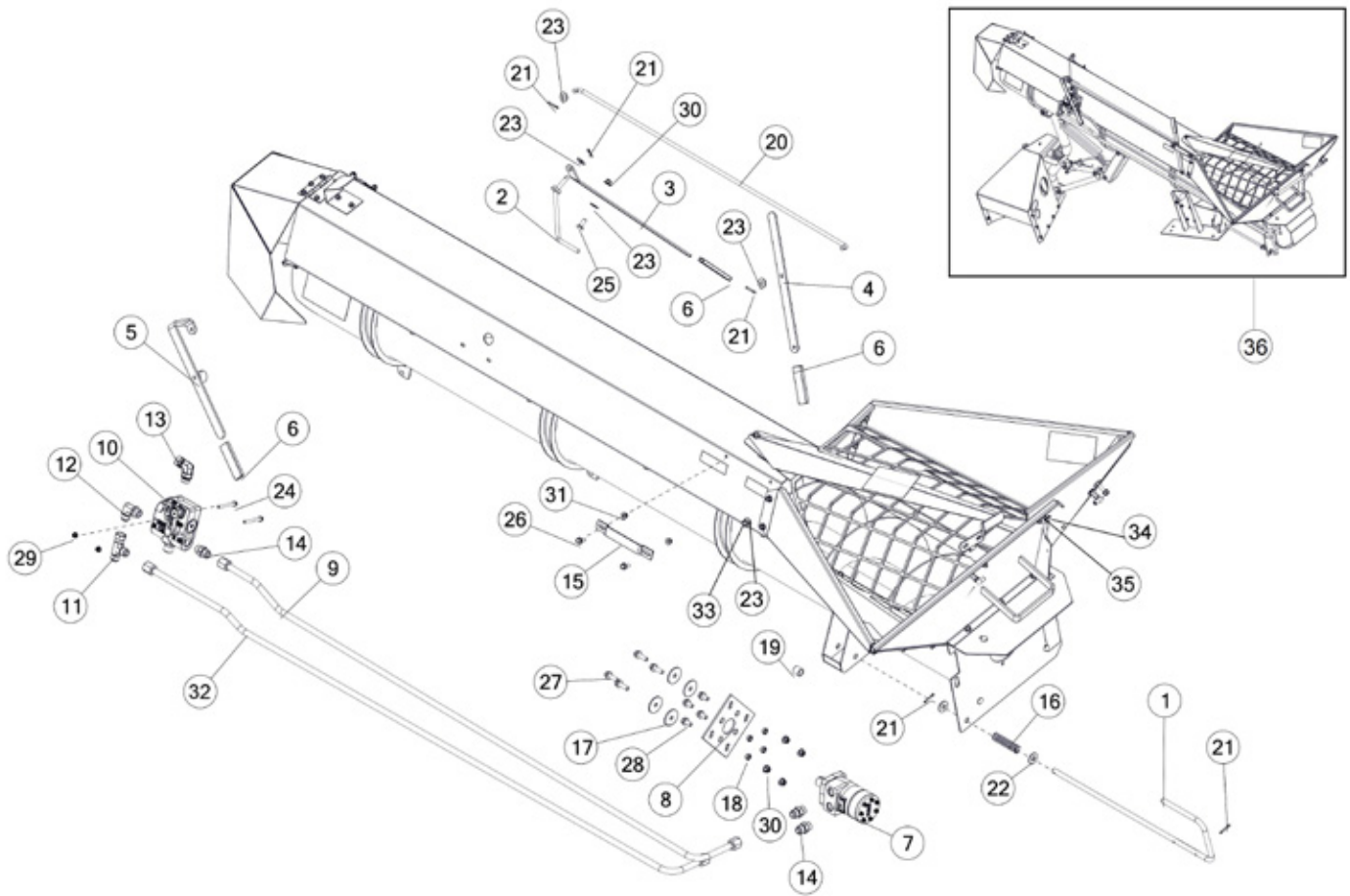
REF #	PART #	DESCRIPTION	QTY
1	16SV274	SAFETY SLIDE LOCK REPAIR KIT, 1-3/8	1
2	GM375	SAFETY SLIDE LOCK YOKE ASSY 1000 RPM	1
3	GM376	55R CROSS & BEARING KIT	2
4	GM377	YOKE & SHAFT	1
5	GM378	NYLON REPAIR KIT	2
6	16SV283	DECAL, PTO SAFETY	1
7	GM380	SAFETY SIGN 1000 RPM	1
8	GM476	OUTER GUARD (1000 RPM)	1
9	GM382	INNER GUARD	1
10	16SV286	SAFETY SIGN (C.V INSTRUCTIONAL DECAL)	1
11	GM383	YOKE, TUBE & SLIP SLEEVE	1
12	GM384	YOKE	1
13	GM477	JT. & SHAFT HALF ASSM. W/GUARD 1000 RPM	1
14	GM478	JT. & SHAFT HALF ASSM. 1000 RPM	1
15	GM387	JOINT & TUBE HALF ASSY W/GUARD	1
16	GM388	JOINT & TUBE HALF ASSY	1
17	GM390	COMPLETE PTO 1000 RPM 1-3/8"	1
*	S402	MANUAL-AG IMPLEMENT DRIVELINES	1





# FIGURE 46

## CORN COB STYLE INTAKE AUGER OPTION (GMOSIA)





# FIGURE 46

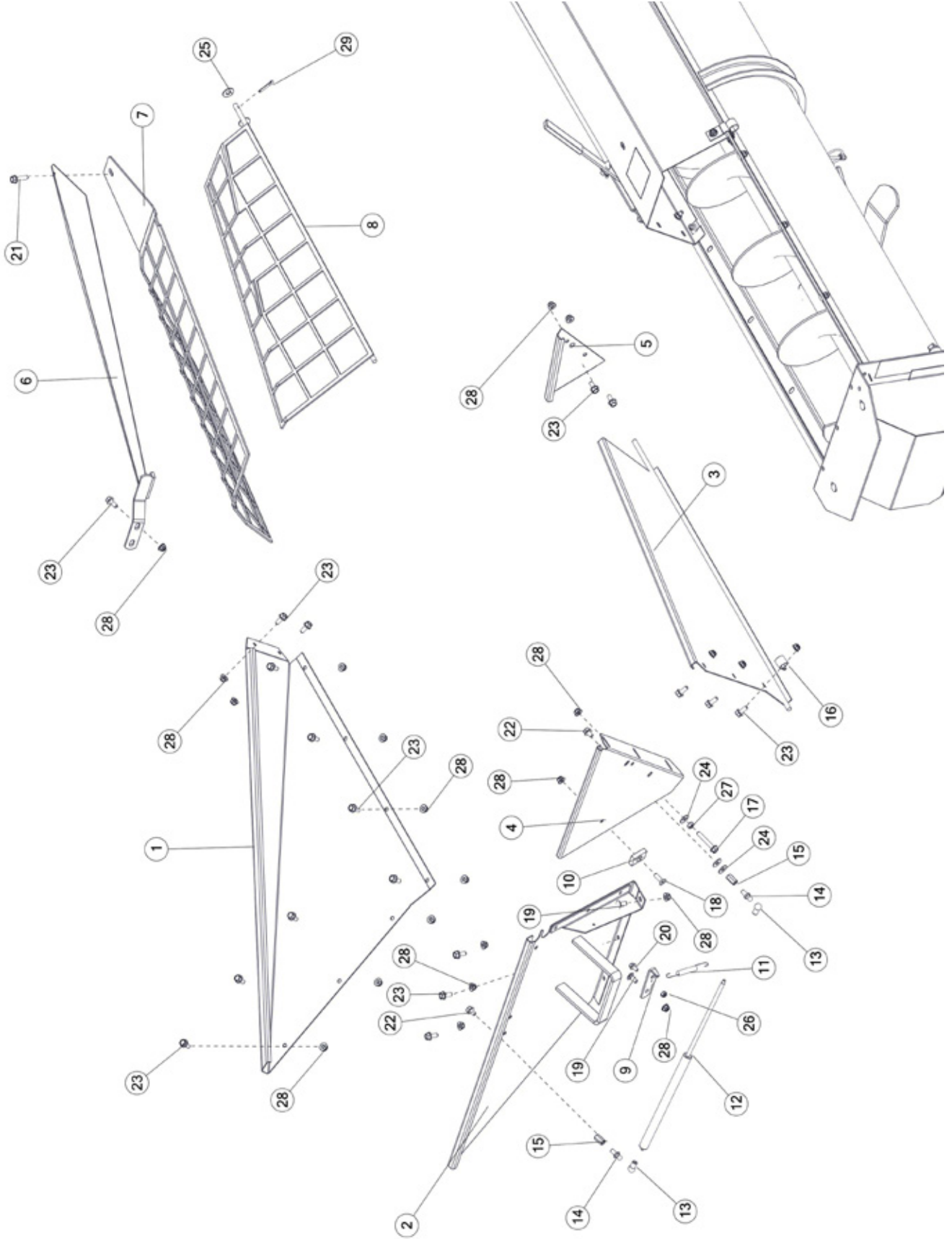
## CORN COB STYLE INTAKE AUGER OPTION (GMOSIA)

REF #	PART #	DESCRIPTION	QTY
1	84032	HANDLE LATCH	1
2	GM196	FLOW CONTROL ROD	1
3	GM371	CONTROL HANDLE	1
4	GM195	HANDLE	1
5	GM197	FLOW CONTROL HANDLE	1
6	GM370	HANDLE GRIP	2
7	GM61	MOTOR	1
8	GM181	MOUNT MOTOR	1
9	GM58	PRESSURE TUBE	1
10	GM20	FLOW CONTROL	1
11	GM55	FITTING, TEE, 10JIC X 10JIC X 10JIC	1
12	GM56	FITTING, 90, 10JIC X 10ORB	1
13	85263	FITTING, 90, -10 JIC, 10 ORB	1
14	GM57	FITTING, ST, 10JIC, 10ORB, STL	3
15	GM194	HANDLE GUIDE	1
16	17G128	SPRING, COIL, 3.36, COMP	1
17	YWCU12005	WASHER CUST, FLAT, .435ID. X 1-7/8OD. X .125 Zc	4
18	GM180	DOOR PIVOT	4
19	YNFG10005	NUT FLANGE, 5/16 GF	1
20	GM196	ROD FLOW CONTROL	1
21	YPCT05005	COTTER PIN, 5/32 X 1	5
22	YWFL16005	WASHER FLAT, 1/2 USS	1
23	YWFL12005	WASHER FLAT, 3/8 USS	5
24	YBFB08250	BOLT FLANGE, 1/4 X 2-1/2 G5	2
25	YBCR12010	BOLT CARRIAGE, 3/8-16 X 1 G5 ZC	1
26	YBFB10075	BOLT FLANGE, 5/16 X 3/4 G5	2
27	YBFB12125	BOLT FLANGE, 3/8 X 1-1/4 G5	4
28	YBFB12075	BOLT FLANGE, 3/8 X 3/4 G5	4
29	YNFG08010	NUT FLANGE, 1/4 GF	2
30	YNFG12006	NUT FLANGE, 3/8 GF	19
31	YNFG10005	NUT FLANGE, 5/16 GF	34
32	GM59	RETURN TUBE	1
33	YBFB10001	BOLT FLANGE, 5/16 X 1 G5	1
34	YBFB08005	BOLT FLANGE, 1/4 X 1/2 G5	1
35	YBCR12010	BOLT CARRIAGE, 3/8 X 1 G5	1
36	GMOSIA	COMPLETE CORN COB STYLE INTAKE AUGER	1





**FIGURE 46**  
**CORN COB STYLE INTAKE AUGER OPTION**  
**(GMOSIA)**

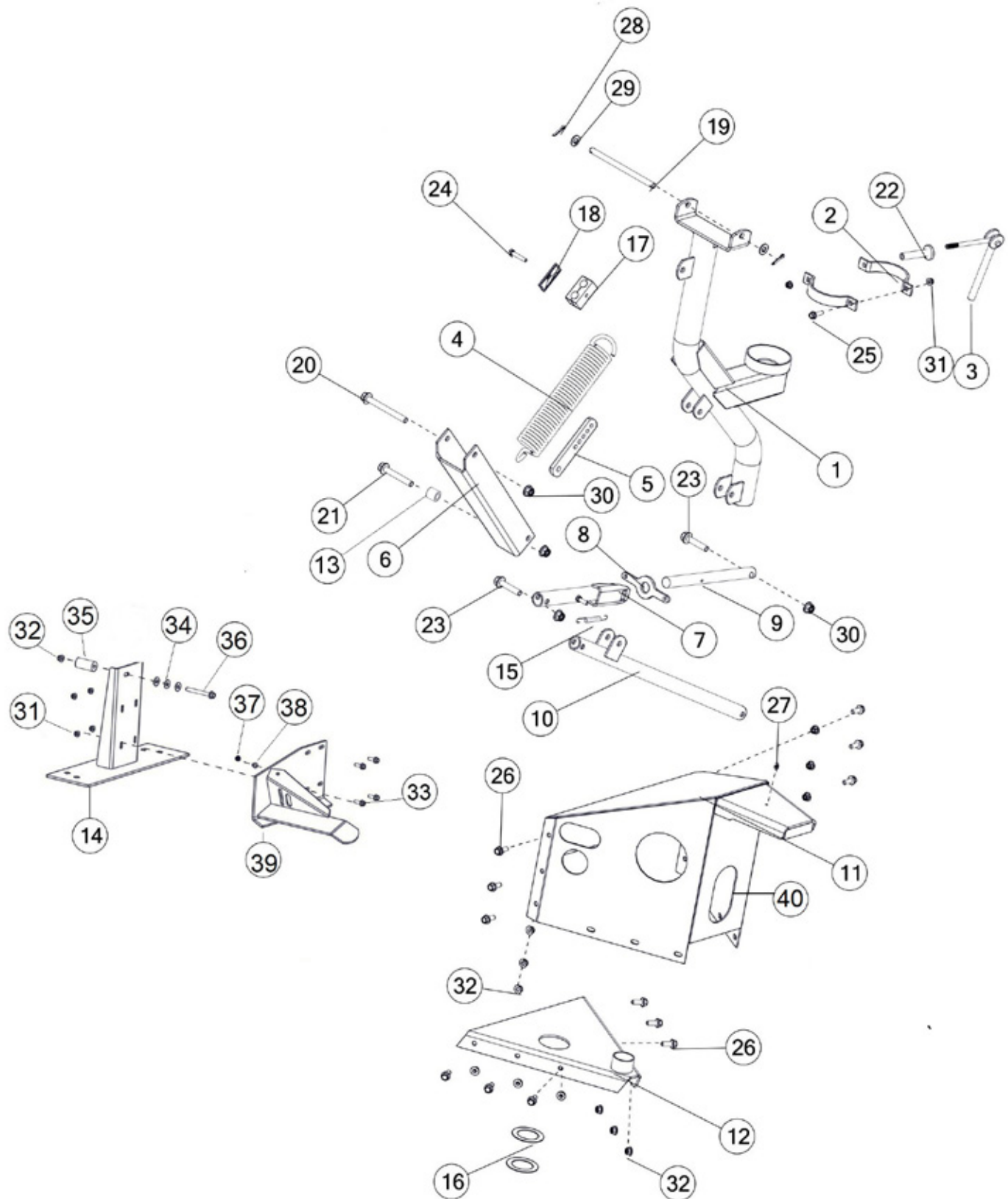




**FIGURE 46**  
**CORN COB STYLE INTAKE AUGER OPTION**  
**(GMOSIA)**

REF #	PART #	DESCRIPTION	QTY
1	78173B	HOPPER PANEL	1
2	78169	END TROUGH ASSY	1
3	78351	SIDE TROUGH	1
4	78356	TROUGH END PANEL	1
5	75927	SHEET, 14G, 20.0X6.8, SIDE PANEL	1
6	78336	AUGER GUARD	1
7	81853	GRATE INFEED	1
8	81856	HINGED GRATE	1
9	GM188	TROUGH LATCH	1
10	0161PL01	POLY BUMPER	1
11	GM208	LATCH SPRING	1
12	8346	GAS SPRING, 18.62", 20LBS, COMP.	1
13	TS381	10MM BALL SOCKET, GAS SPRING	2
14	TS382	10MM MOUNTING BALL, GAS SPRING	2
15	YNCO10005	NUT, HEX, COUPLING, 5/16-18 X 7/8 NA A ZC	2
16	HGV72	CUSHION WIRE CLAMP 3/4	1
17	YBFB10200	BOLT FLANGE, 5/16 X 2 G5	1
18	YSFS10005	BOLT FLAT SOK, 5/16-18 X 1 BO	1
19	YBCR10030	BOLT CARRIAGE, 5/16-18 X 3/4 G5 ZC	2
20	YBFB08005	BOLT FLANGE, 1/4 X 1/2 G5	1
21	YBFB10125	BOLT FLANGE, 5/16 X 1-1/4 G5	1
22	YBFB10002	BOLT FLANGE, 5/16 X 1/2 G5	2
23	YBFB10075	BOLT FLANGE, 5/16 X 3/4 G5	17
24	YWFL10005	WASHER, FLAT, 5/16 USS	2
25	YWFL12005	WASHER, FLAT, 3/8 USS	1
26	YNNY08005	NUT HEX, 1/4-20 LKNY G2 ZC	1
27	YNHX10010	NUT HEX, 5/16-18 NA G5 ZC	1
28	YNFG10005	NUT FLANGE, 5/16 GF	19
29	YPCT06002	COTTER PIN, 3/16 X 1	1









# FIGURE 47

## CORN COB STYLE INTAKE AUGER OPTION (GMOSIA)

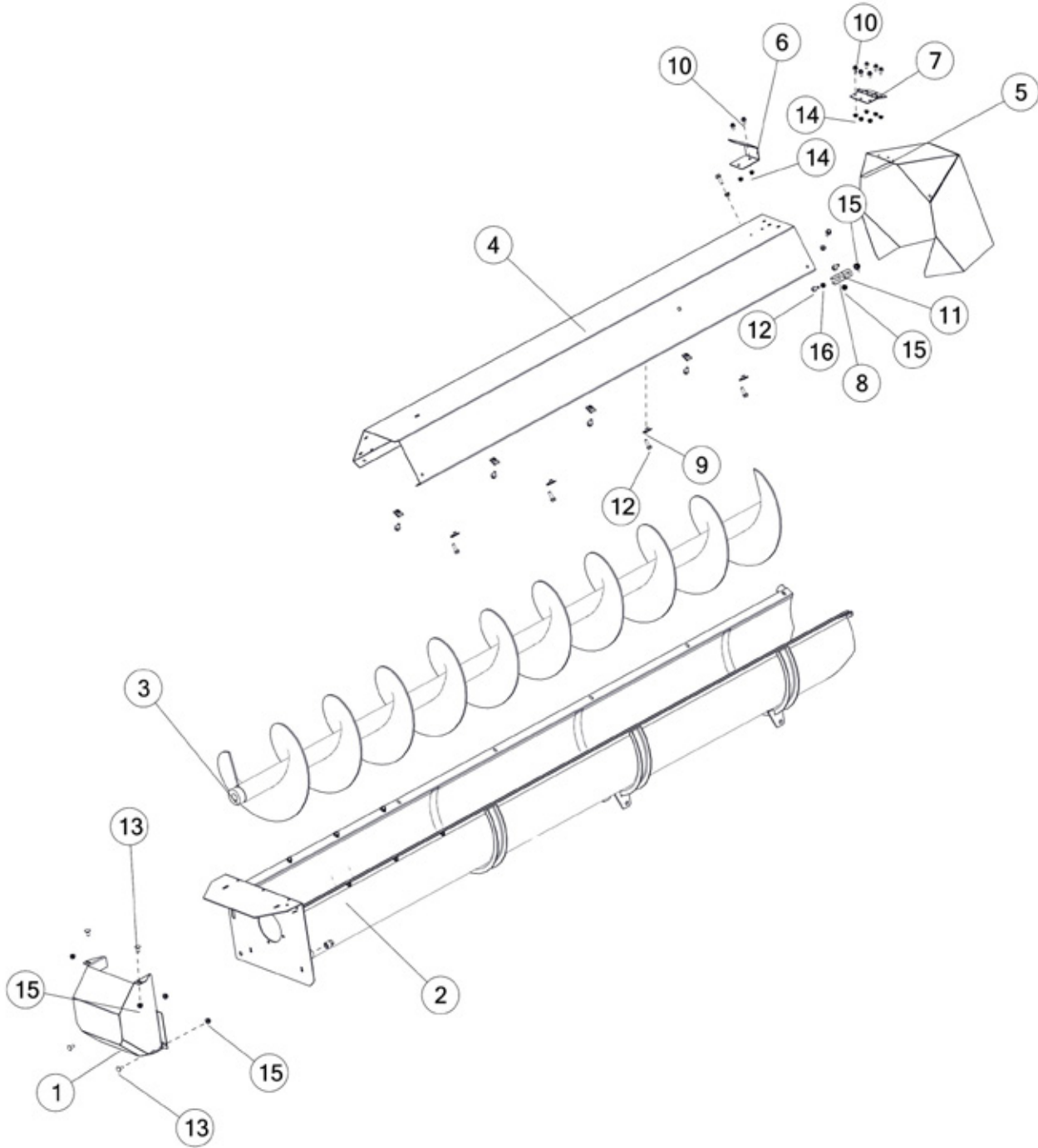
REF #	PART #	DESCRIPTION	QTY
1	GM212	TUBE TROUGH PIVOT	1
2	GM213	BRAKE BAND	2
3	GM217	TIGHTENER ASSY	1
4	GM204	SPRING	1
5	GM206	SPRING ADJUSTMENT	1
6	GM203	SEGMENT LIFT SUPPORT	1
7	GM209	TUBE LIFT ASSY	1
8	GM210	AUGER LIFT LOCK	1
9	GM211	SHAFT LIFT	1
10	GM207	PIVOT LINKAGE	1
11	GM215	PIVOT SUPPORT TOP	1
12	GM214	SUPPORT PIVOT LOWER	1
13	GM205	SPACER	1
14	86568	VERTICAL SUPPORT	1
15	GM208	LATCH SPRING	1
16	GM219	PIVOT WASHER	1
17	GM70	HOSE CLAMP BLOCK, 1/2	2
18	GM69	TWO HOSE CLAMP CAP, 1/2	2
19	GM458	PIVOT PIN	1
20	YBFB16500	BOLT FLANGE, 1/2 X 5 G5	1
21	YBFB16350	BOLT FLANGE, 1/2 X 3-1/2 G5	1
22	GM216	SPACER ASSY	1
23	YBFB16250	BOLT FLANGE, 1/2 X 2-1/2 G5	1
24	YBHH10055	BOLT HEX, 5/16 X 1-3/4 G5	2
25	YBFB16125	BOLT FLANGE, 1/2 X 1-1/4 G5	1
26	YBFB12003	BOLT FLANGE, 3/8 X 1 G5	2
27	RG51	ZERK, 90 DEGREE 1/4"-28	11
28	YPCT06002	COTTER PIN, 3/16 X 1	1
29	YWFL16010	WASHER, FLAT, SAE 1/2	2
30	YNFG16003	NUT FLANGE, 1/2 GF	2
31	YNFG10005	NUT FLANGE, 5/16 GF	4
32	YNFG12006	NUT FLANGE, 3/8 GF	1
33	YBFB10001	BOLT FLANGE, 5/16 X 1 G5	11
34	YWFL12005	WASHER FLAT, 3/8 G5	4
35	90244	CYLINDER SPACER, 2-1/2	3
36	YBFB12350	BOLT FLANGE, 3/8 X 3-1/2 G5	1
37	YNFG08010	NUT FLANGE, 1/4 GF	21
38	YBFB08075	BOLT FLANGE, 1/4 X 3/4 G5	1
39	90786	SUPPORT BRACKET, INFEED	1
40	93718	EDGING, 3 X 5.875	1





# FIGURE 48

## CORN COB STYLE INTAKE AUGER OPTION (GMOSIA)





**FIGURE 48**  
**CORN COB STYLE INTAKE AUGER OPTION**  
**(GMOSIA)**

REF #	PART #	DESCRIPTION	QTY
1	GM178	SHIELD W/DECALS	1
2	74298B	TROUGH ASSY	1
3	74335	AUGER INFEED	1
4	74312B	CONVEYOR COVER	1
5	GM200	EXTENSION TROUGH ASSY	1
6	GM198	TROUGH EXTENSION STOP	1
7	GM126	TROUGH COVER HINGE	1
8	GM199	COVER HOLDER	1
9	84124	U NUT, 5/16-18, .15 X .562	8
10	YBFB08005	BOLT FLANGE, 1/4 X 1/2 G5	1
11	YBFB10075	BOLT FLANGE, 5/16 X 3/4 G5	1
12	YBFB10001	BOLT FLANGE, 5/16 X 1 G5	6
13	YBCR10030	BOLT CARRIAGE, 5/16-18 X 3/4 G5 ZC	4
14	YNFG08010	NUT FLANGE, 1/4 GF	10
15	YNFG10005	NUT FLANGE, 5/16 GF	4
16	YNHX10010	NUT HEX, 5/16-18 NA G5 ZC	1





# PARTS NOTES

---

---

---

---

---

---

---

---

---

---

---

---

---

---

---

---

---

---

---

---

---

---

---

---

---

---

---



# **H&S MFG. CO.**

products approved

for the

## **FEMA**

# **SEAL OF QUALITY**



Manufactured by:

**H&S MANUFACTURING CO., INC.**

2608 S. HUME AVE. MARSHFIELD, WI 54449

(715) 387-3414 | [hsmfgco.com](http://hsmfgco.com)

