



PARTS BOOK

GM9117

GRINDER MIXER

Part #90264

Rev. #03

HSMFG090623

Starting Ser. #421GX17001



TABLE OF CONTENTS

FIGURE #	CONTENTS	PAGE #
*	INSTRUCTIONS FOR ORDERING PARTS	1
1	HITCH AND JACK COMPONENTS	2-3
2	FRONT SHIELD AND COMPONENTS	4-5
3	FLYWHEEL AND COMPONENTS	6-7
4	ROLLER CHAIN AND COMPONENTS	8-9
5	FENDER AND TANK SUPPORT RH	10-11
6	FENDER AND TANK SUPPORT LH	12-13
7	WHEEL AND HUB ASSEMBLY	14-15
8	INFEED COVER AND COMPONENTS	16-17
9	INFEED CHUTE AND COMPONENTS	18-19
10	HAMMERMILL AND COMPONENTS	20-21
11	HAMMERMILL PANELS	22-23
12	SCREEN HOLDER AND COMPONENTS	24-25
13	GREASE KIT	26-27
14	FAN BLOWER AND COMPONENTS	28-29
15	HAMMERMILL ASSEMBLY	30-31
16	BLOWER COMPONENTS	32-33
17	HOUSING SUPPLEMENT HOPPER AND COMPONENTS	34-35
18	TANK COVER AND COMPONENTS	36-37
19	TANK WINDOWS AND COMPONENTS	38-39
20	MIXING AUGER AND COMPONENTS	40-41
21	YOKE AND TUBE COMPONENTS	42-43
22	LADDER AND COMPONENTS	44-45
23	UNLOADING AUGER AND COMPONENTS	46-47
24	VERTICAL AUGER TUBE AND COMPONENTS	48-49
25	VERTICAL AUGER AND COMPONENTS	50-51
26	AUGER HOUSING AND COMPONENTS	52-53
27	GATE AND COMPONENTS	54-55
28	HORIZONTAL AUGER AND COMPONENTS	56-57
29	TRANSFER AUGER AND COMPONENTS	58-59
30	DRIVE PULLEY AND COMPONENTS	60-63
31	HYDRAULICS	64-67
32	HYDRAULIC TANK	68-69
33	CONVENTIONAL SWINGING INTAKE AUGER OPTION (GMOCSIA)	70-71
34	CONVENTIONAL SWINGING INTAKE AUGER OPTION (GMOCSIA)	72-73
35	CONVENTIONAL SWINGING INTAKE AUGER OPTION (GMOCSIA)	74-75
36	6' FOLDING EXTENSION OPTION (GMOEXT6)	76-77
37	3' FOLDING EXTENSION OPTION (GMOEXT3)	78-79
38	REAR SUPPLEMENT HOPPER OPTION (GMORSH)	80-81

GM9117



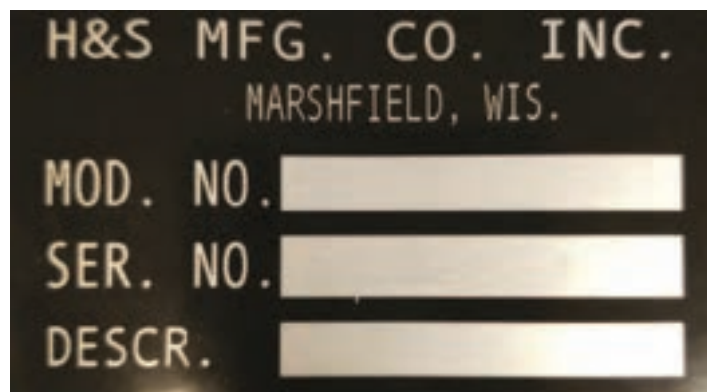
INSTRUCTIONS FOR ORDERING PARTS

All service parts should be ordered through your authorized H&S dealer. Your Dealership will be able to give you faster service if you will provide them with the following:

1. Model & Serial Number - Both can be located on the bottom of the front guard.
2. All references to left or right apply to the machine as viewed from the rear.
3. Parts should not be ordered from illustration only. Please order complete part number.
4. If your dealer has to order parts, give shipping instructions:

VIA truck - large pieces (please specify local truck lines)

VIA United Parcel Service (include full address)



PLEASE RECORD NUMBERS FOR YOUR UNIT FOR QUICK REFERENCE

ABOUT IMPROVEMENTS

H&S IS CONTINUALLY STRIVING TO IMPROVE ITS PRODUCTS

We must, therefore, reserve the right to make improvements or changes whenever it becomes practical to do so, without incurring any obligation to make changes or additions to the equipment previously sold.





FIGURE 1 HITCH AND JACK COMPONENTS

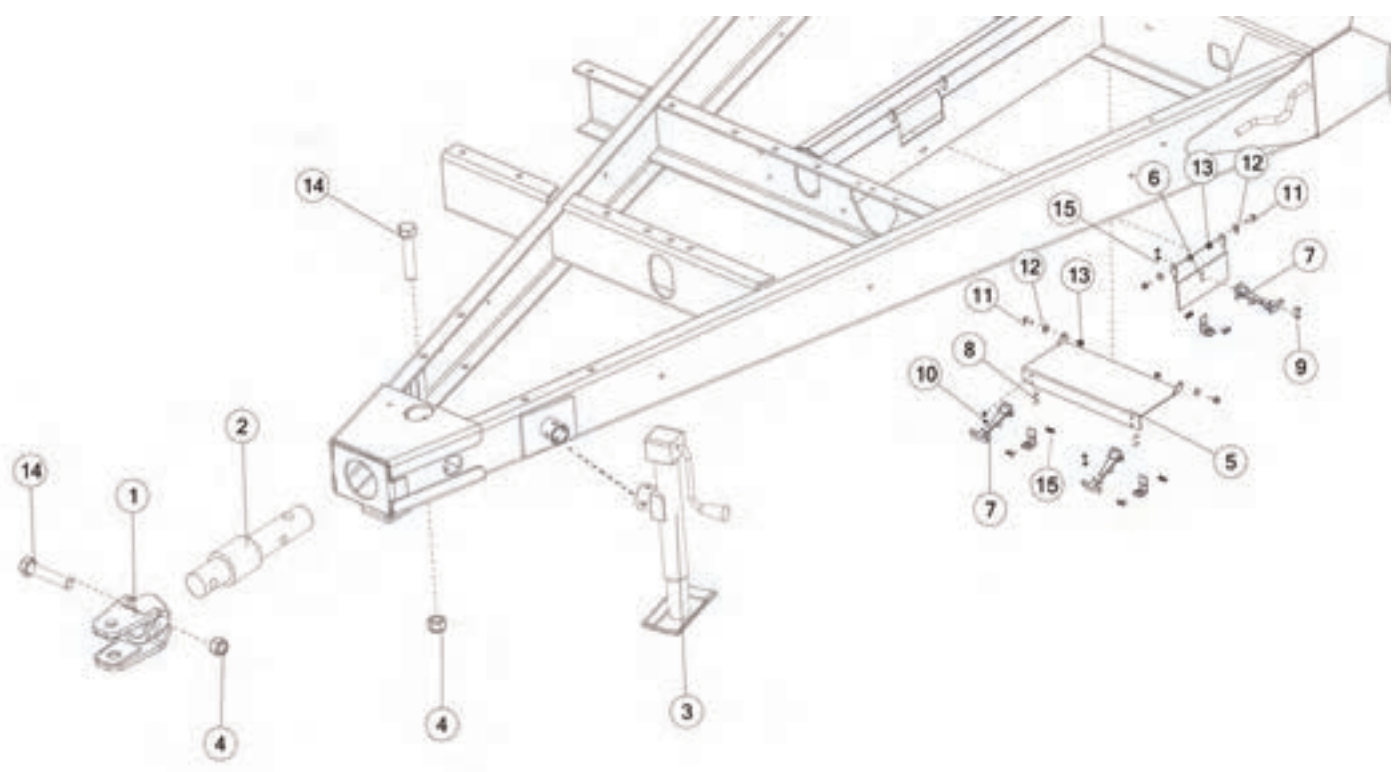




FIGURE 2
FRONT SHIELD AND COMPONENTS

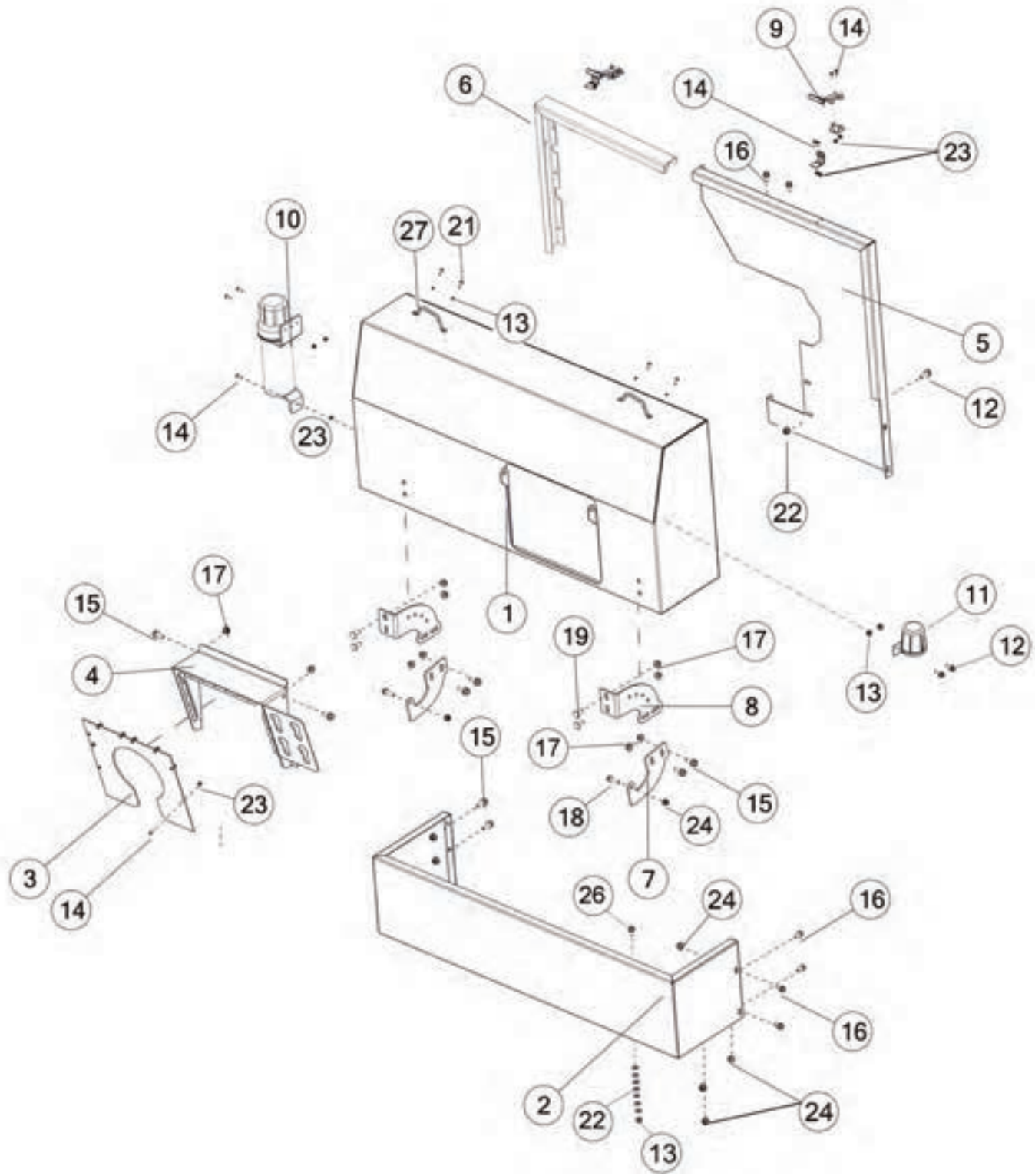




FIGURE 3
FLYWHEEL AND COMPONENTS

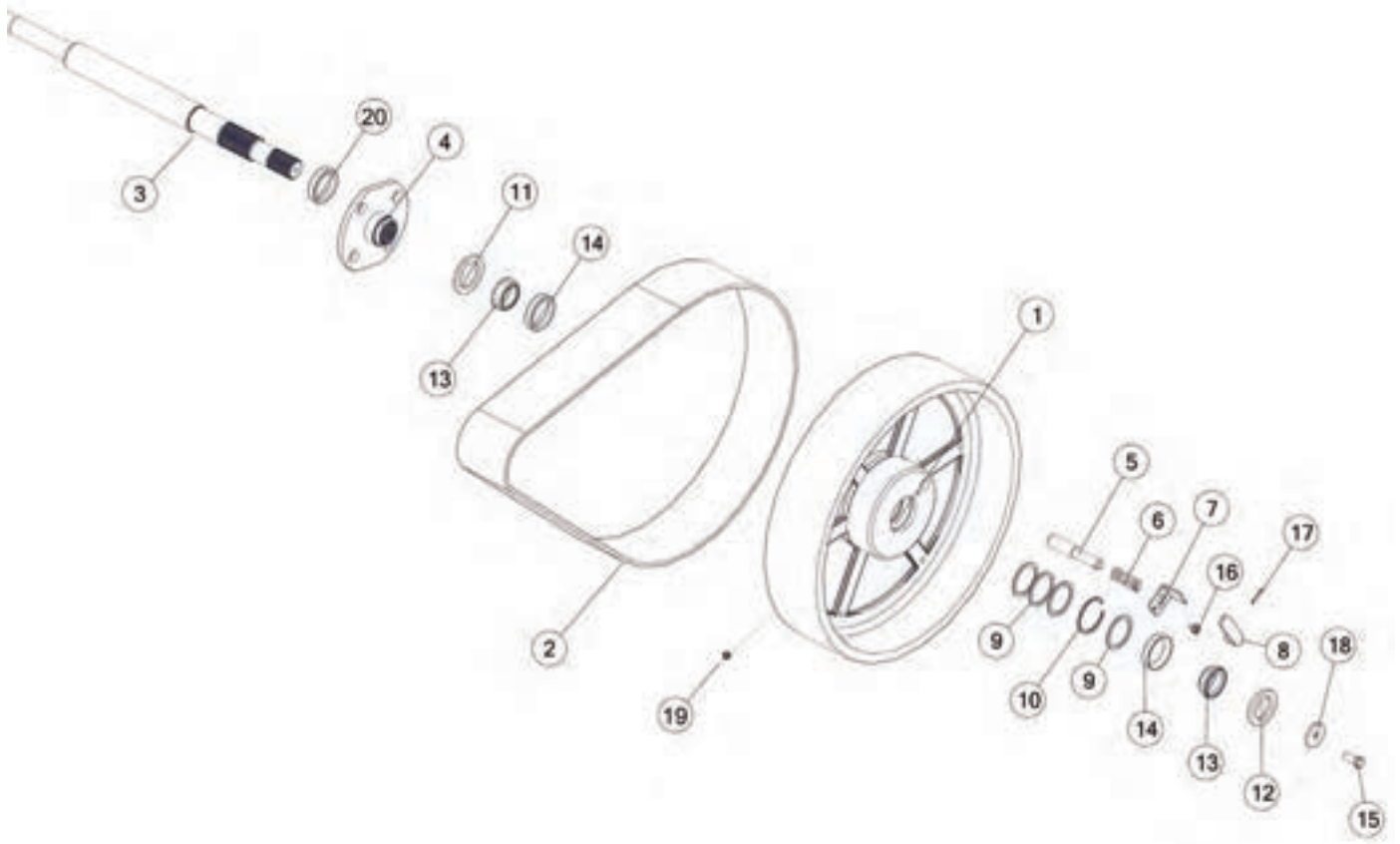




FIGURE 4 ROLLER CHAIN AND COMPONENTS

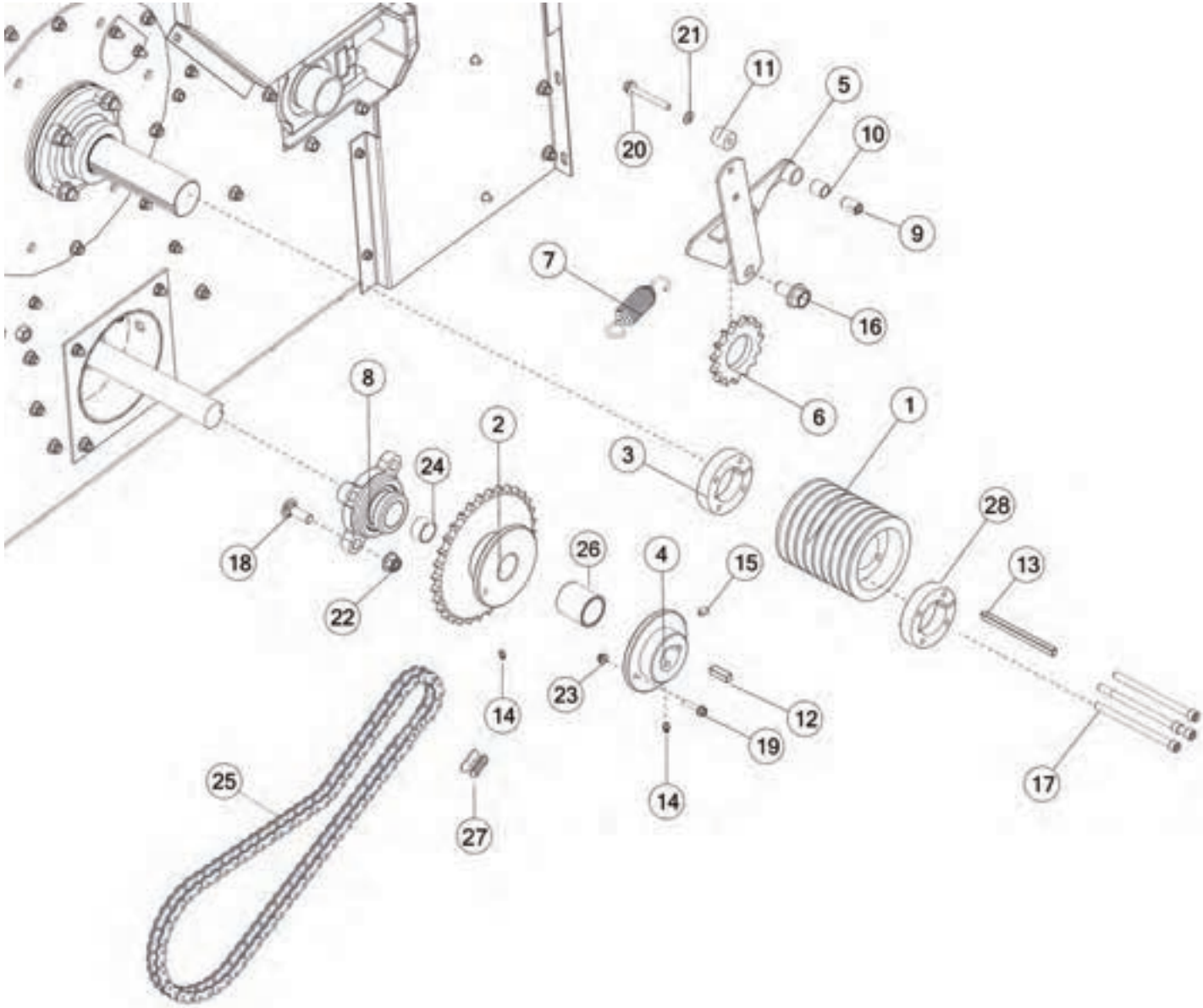




FIGURE 5 FENDER AND TANK SUPPORT RH

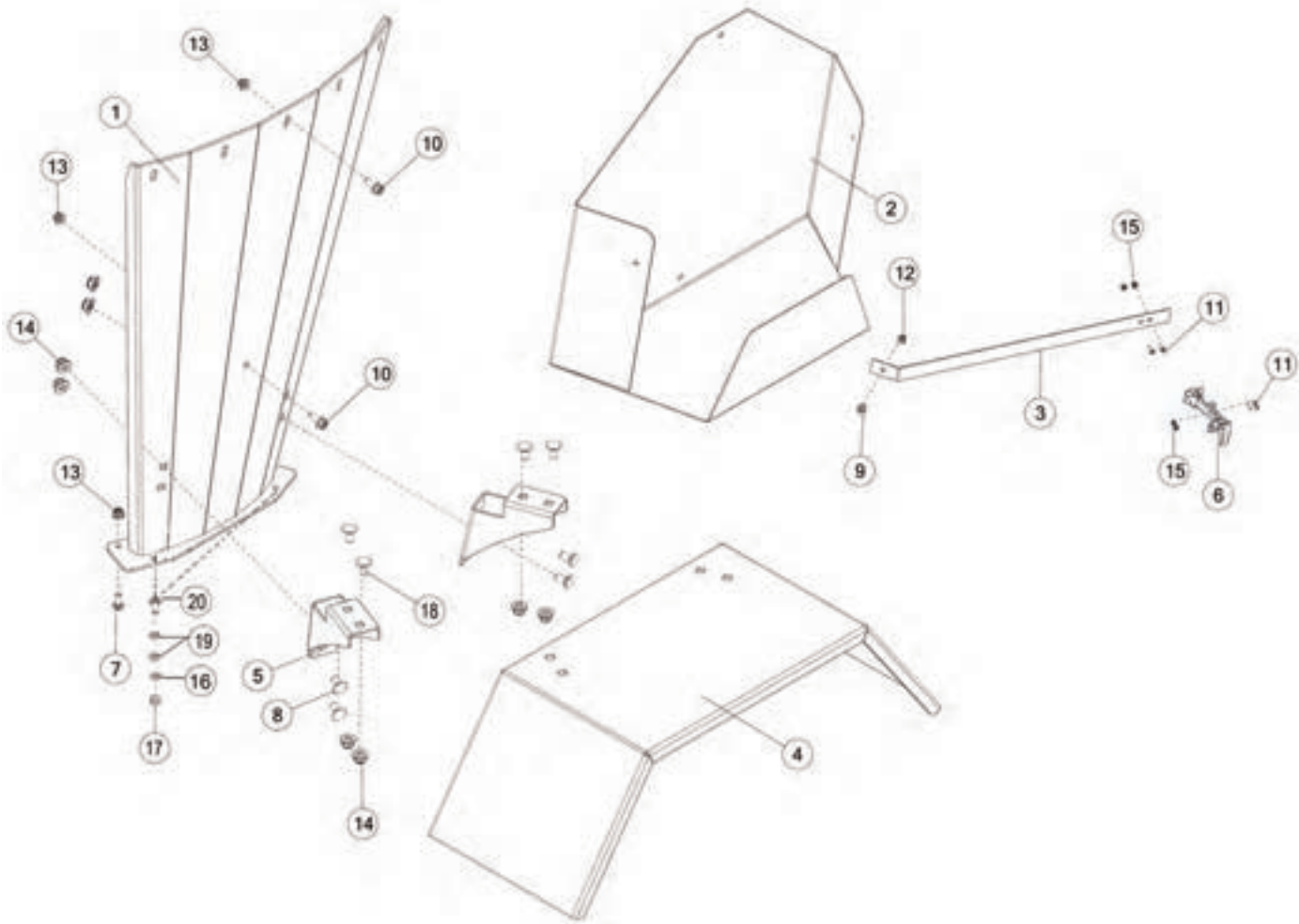




FIGURE 6
FENDER AND TANK SUPPORT LH

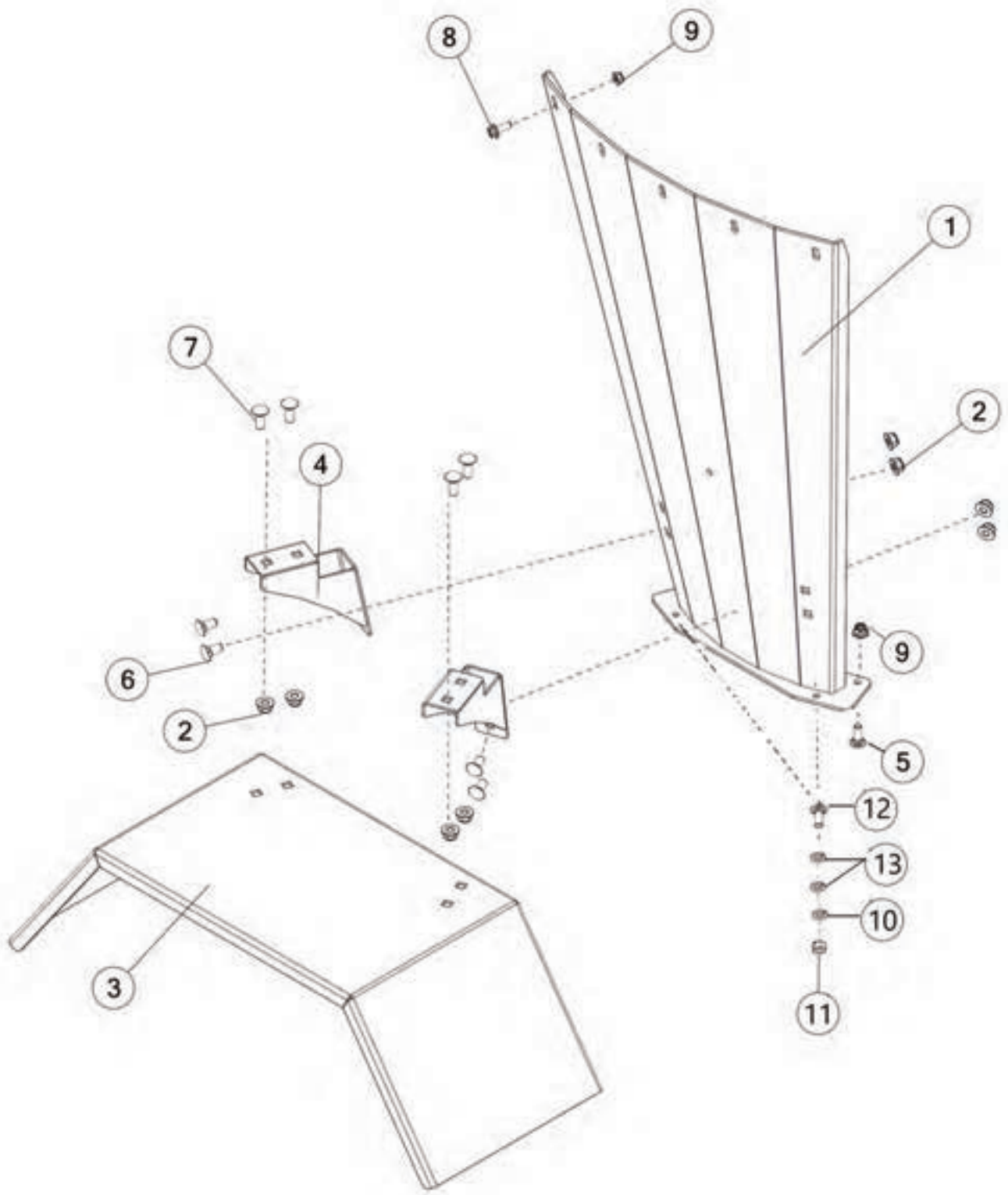




FIGURE 7
WHEEL AND HUB ASSEMBLY

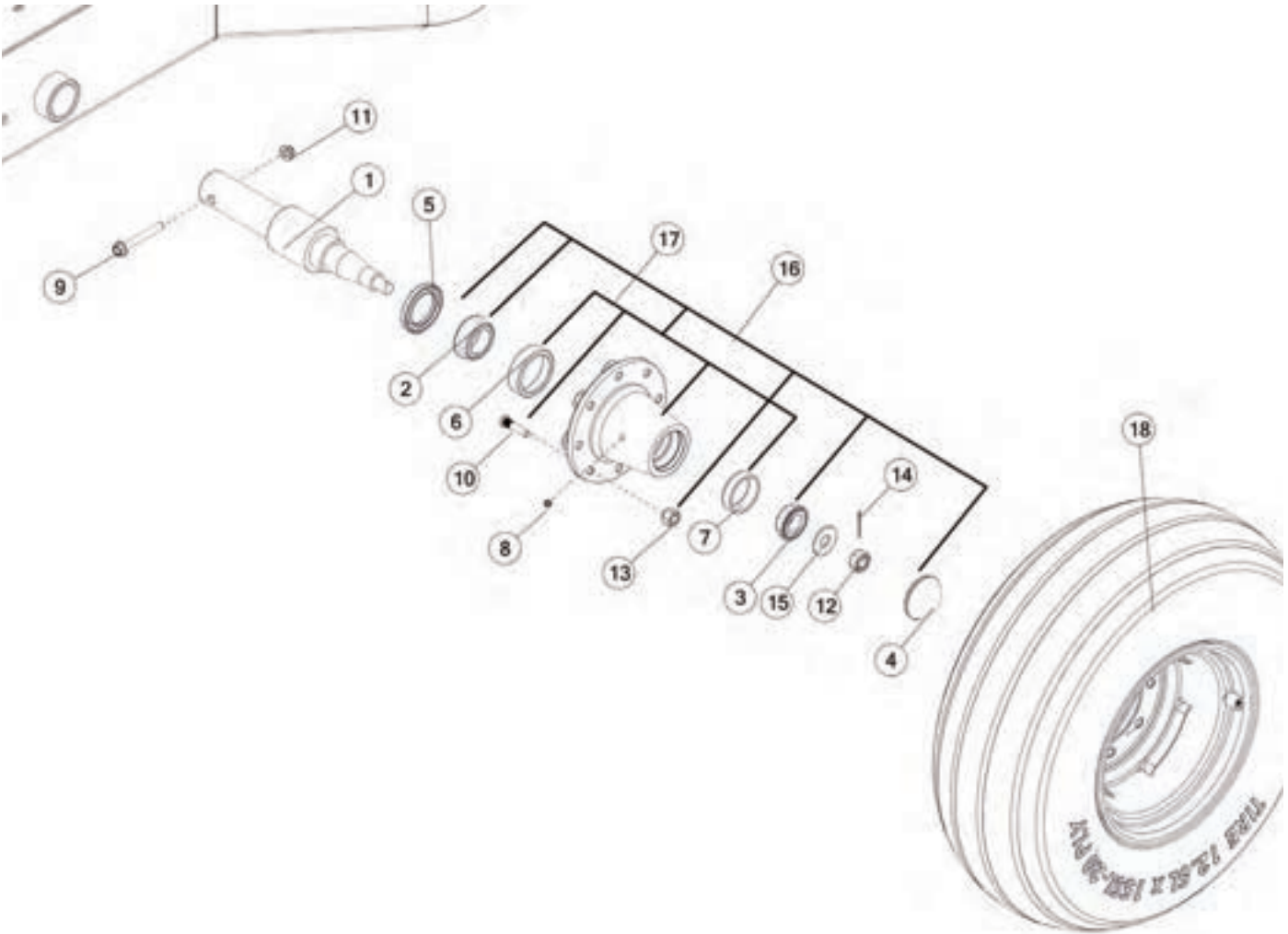




FIGURE 8 INFEED COVER AND COMPONENTS

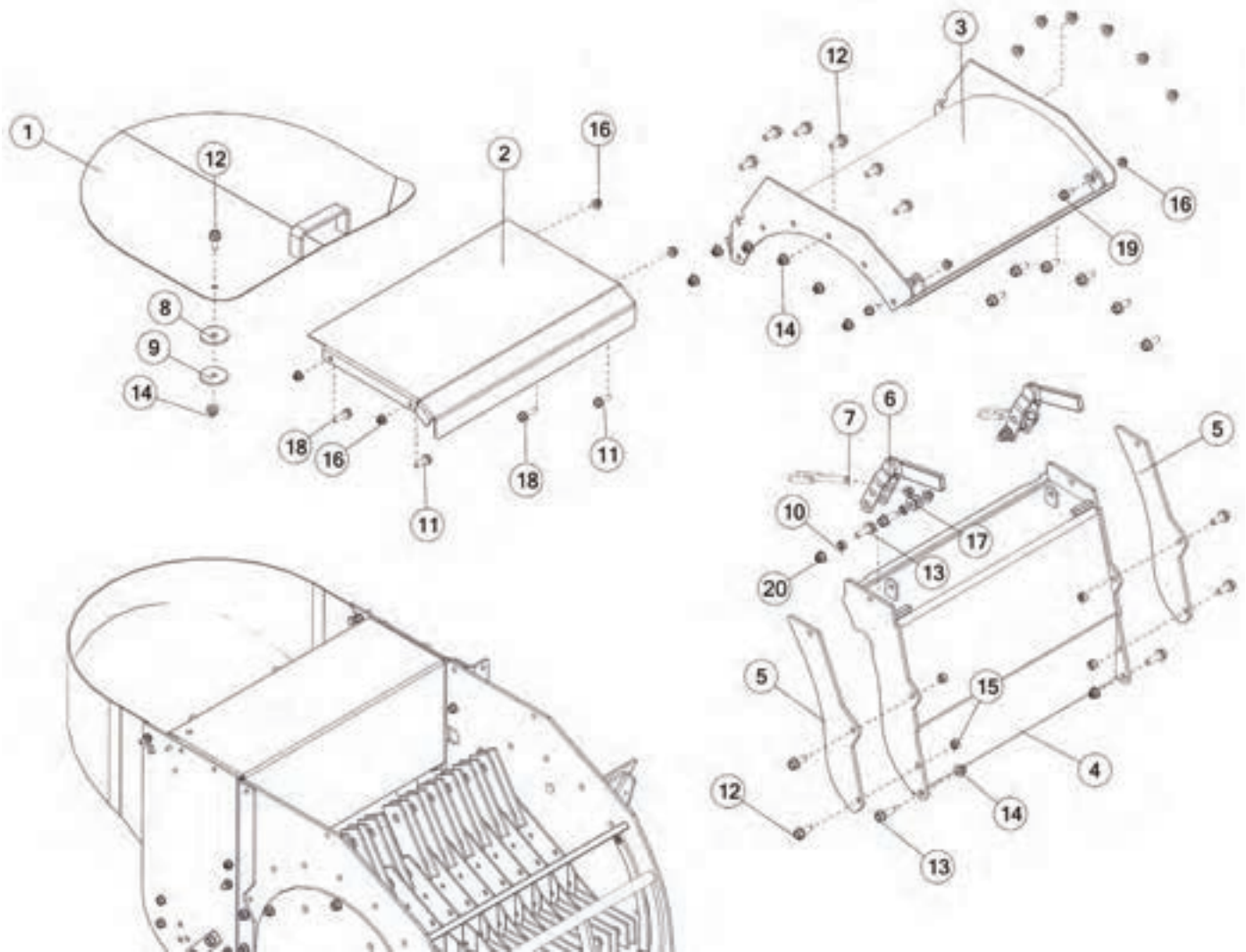
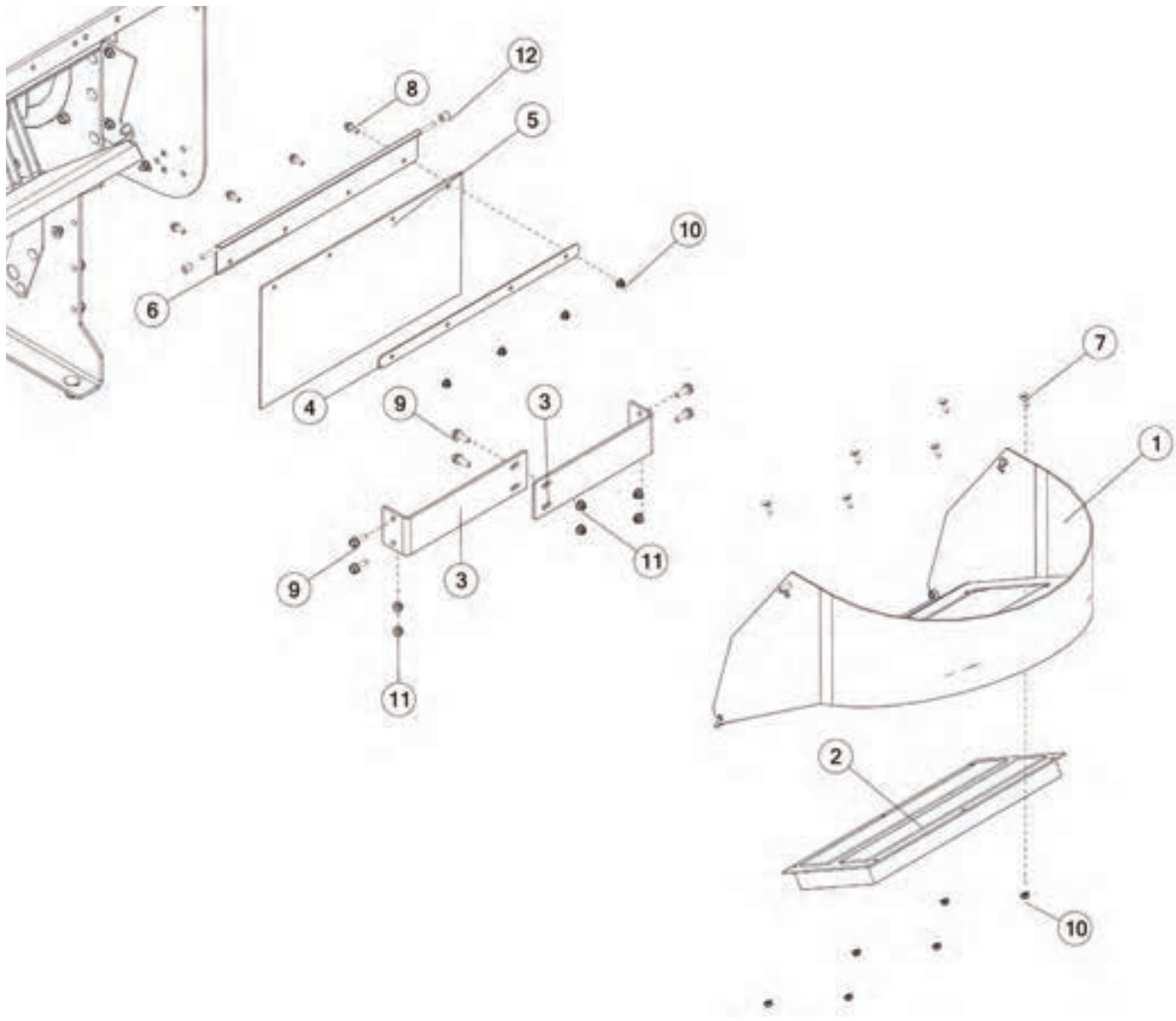
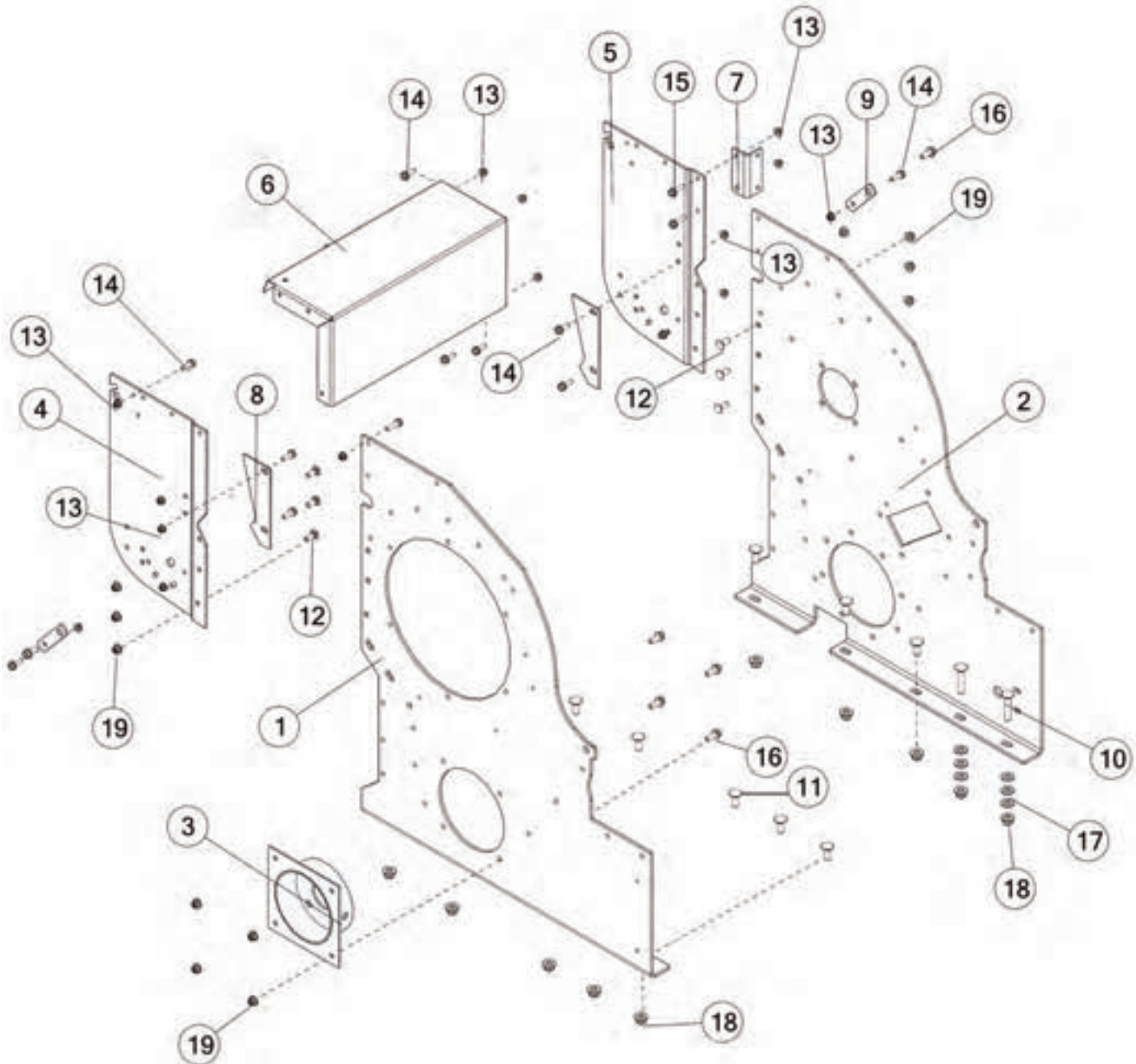




FIGURE 9 INFEEED CHUTE AND COMPONENTS





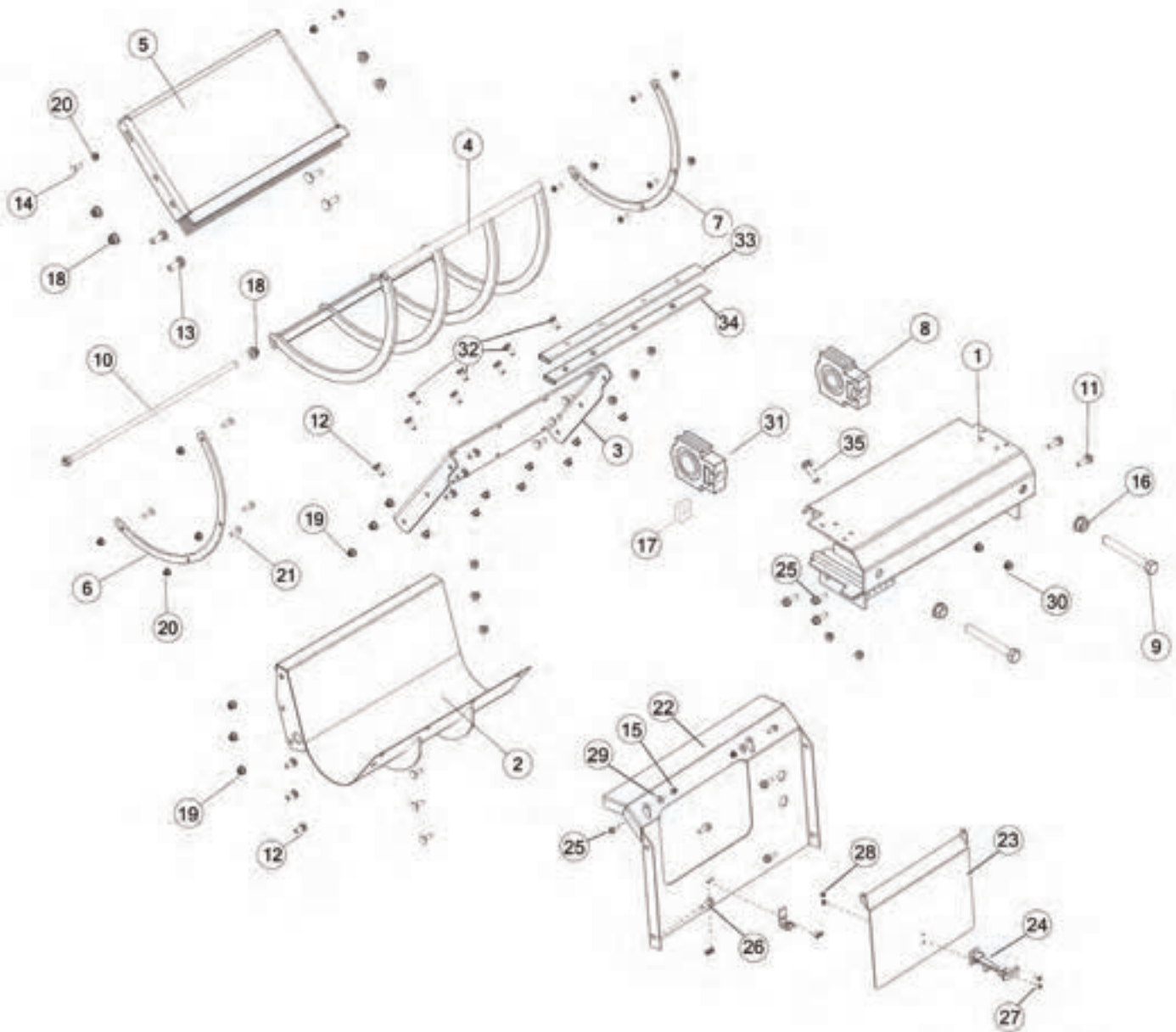




FIGURE 12

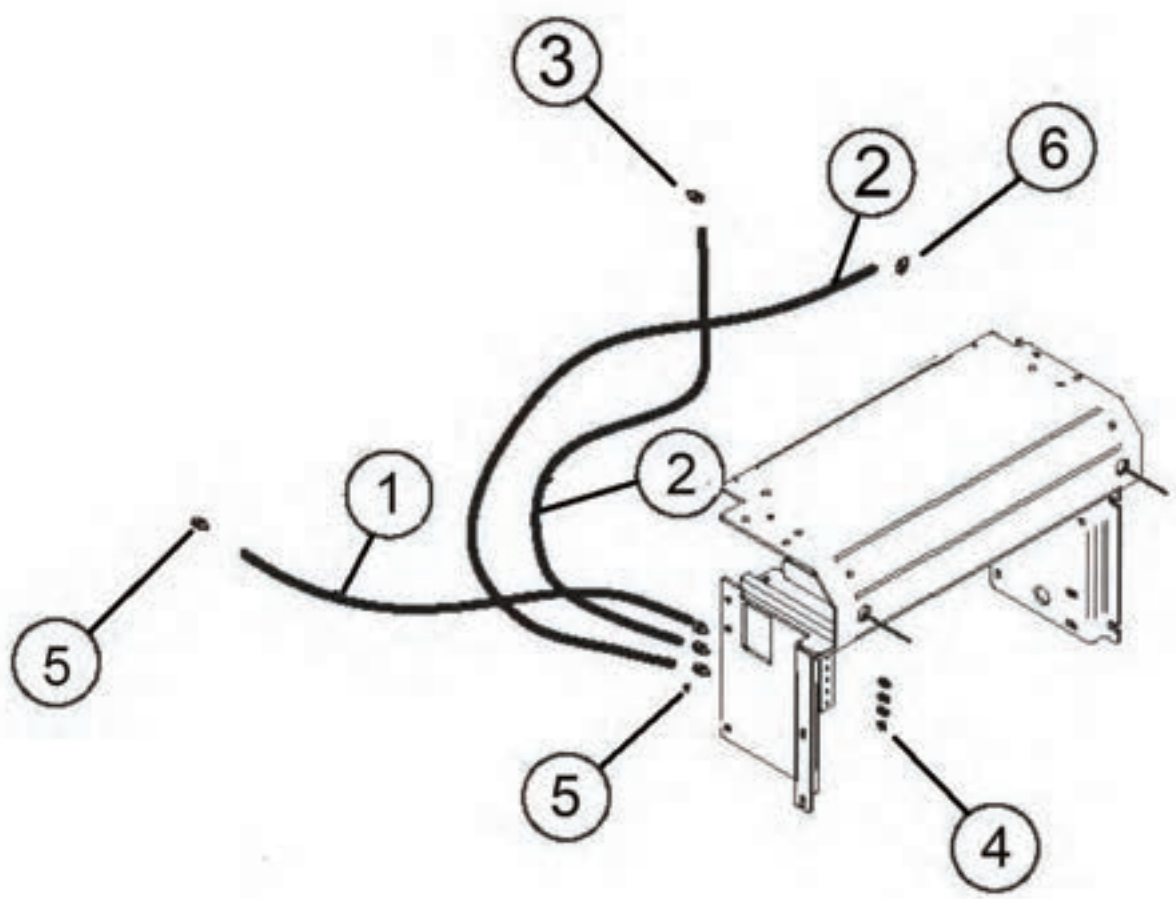
SCREEN HOLDER AND COMPONENTS

REF #	PART #	DESCRIPTION	QTY
1	85809B	DRIVE SHAFT CARRIER	1
2	85791	STEEL PANEL, BOTTOM	1
3	85930	SIDE PANEL	1
4	GM136	SCREEN HOLDER	1
5	89304	THROAT PLATE	1
6	GM137	GUIDE SCREEN, FRONT	1
7	GM138	GUIDE SCREEN, REAR	1
8	GM413	BEARING	1
9	YBHH24091	BOLT HEX, FT, 3/4-10 X 6 G5 ZC	2
10	GM135	MILL LONG BOLT	1
11	YBFB12125	BOLT FLANGE, 3/8 X 1-1/4 G5	4
12	YBCR12010	BOLT CARRIAGE, 3/8 X 1 G5	10
13	YBCR16010	BOLT CARRIAGE, 1/2 X 1-1/2 G5	4
14	YBCR10010	BOLT CARRIAGE, 5/16 X 1 G5	2
15	YNFG08010	NUT FLANGE, 1/4	2
16	16SV64	NUT FLANGE, 3/4	2
17	GM445	SLIDER BEARING NUT	1
18	YNFG16003	NUT FLANGE, 1/2 GF	4
19	YNFG12006	NUT FLANGE, 3/8 GF	25
20	YNFG10005	NUT FLANGE, 5/16 GF	10
21	YSFM10005	SCREW FLAT HEAD MACH, 5/16-18 X 1	8
22	90143B	CHAIN SHIELD	1
23	90141B	CHAIN SHIELD COVER	1
24	X233	LATCH ASSEMBLY	1
25	YBFB08075	BOLT FLANGE, 1/4 X 3/4	2
26	YBFB12003	BOLT FLANGE, 3/8 X 1 G5 ZC	4
27	YSPP64005	PHILLIPS PAN HEAD, 10-32 X 1/2	4
28	YNNY64006	NUT HEX, 10-32	4
29	YWFL08005	FLAT WASHER, 1/4 USS	2
30	YNFG08010	NUT FLANGE, 1/4	2
31	GM114	BEARING	1
32	YBCR12020	BOLT CARRIAGE, 3/8 X 1-1/4 G5	4
33	97936	GASKET STRAP	1
34	97938	DOOR GASKET	1
35	YBCR12123	BOLT CARRIAGE, 3/8 X 6-1/2 G5	1





FIGURE 13
GREASE KIT



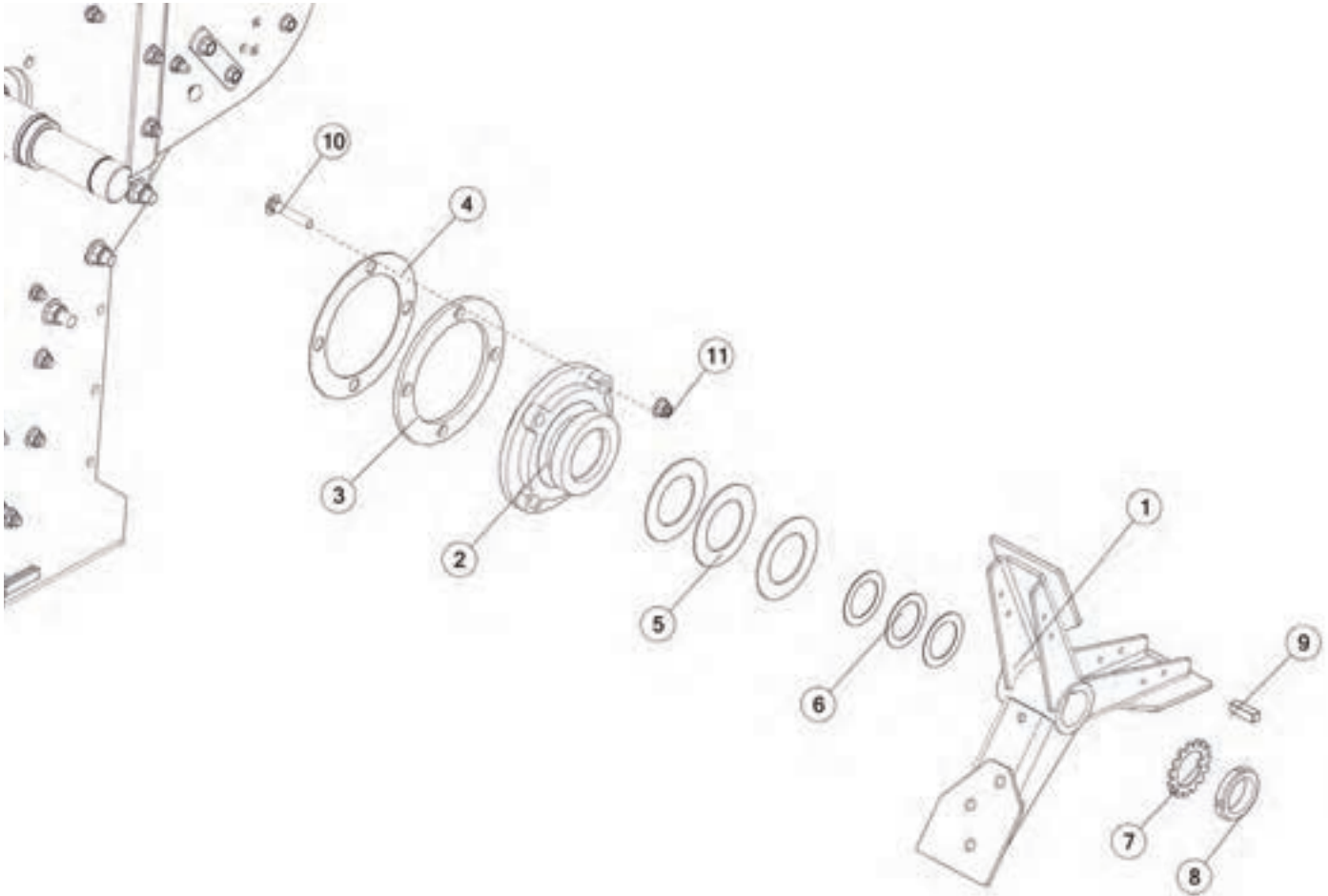
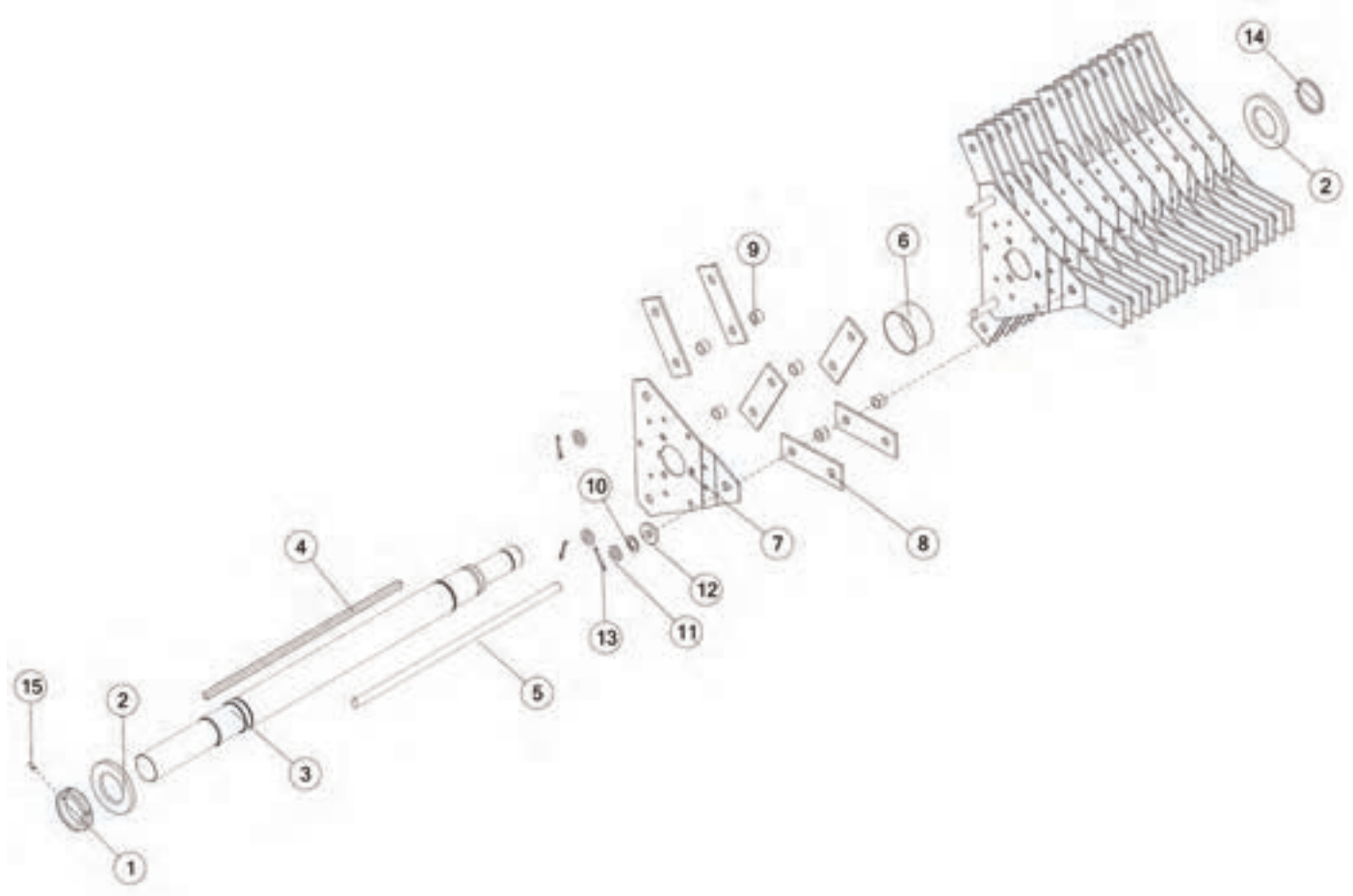
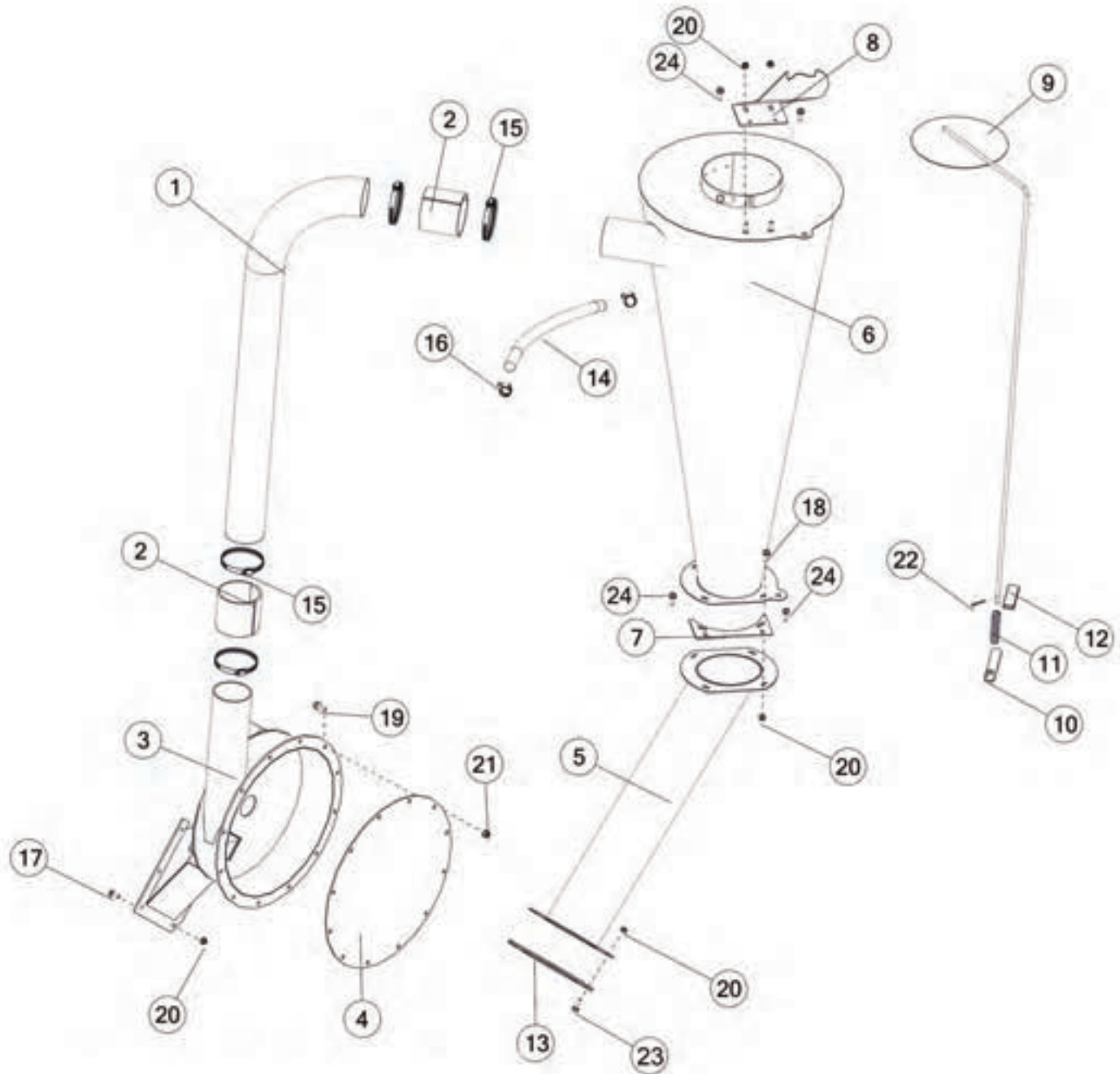




FIGURE 15 HAMMERMILL ASSEMBLY





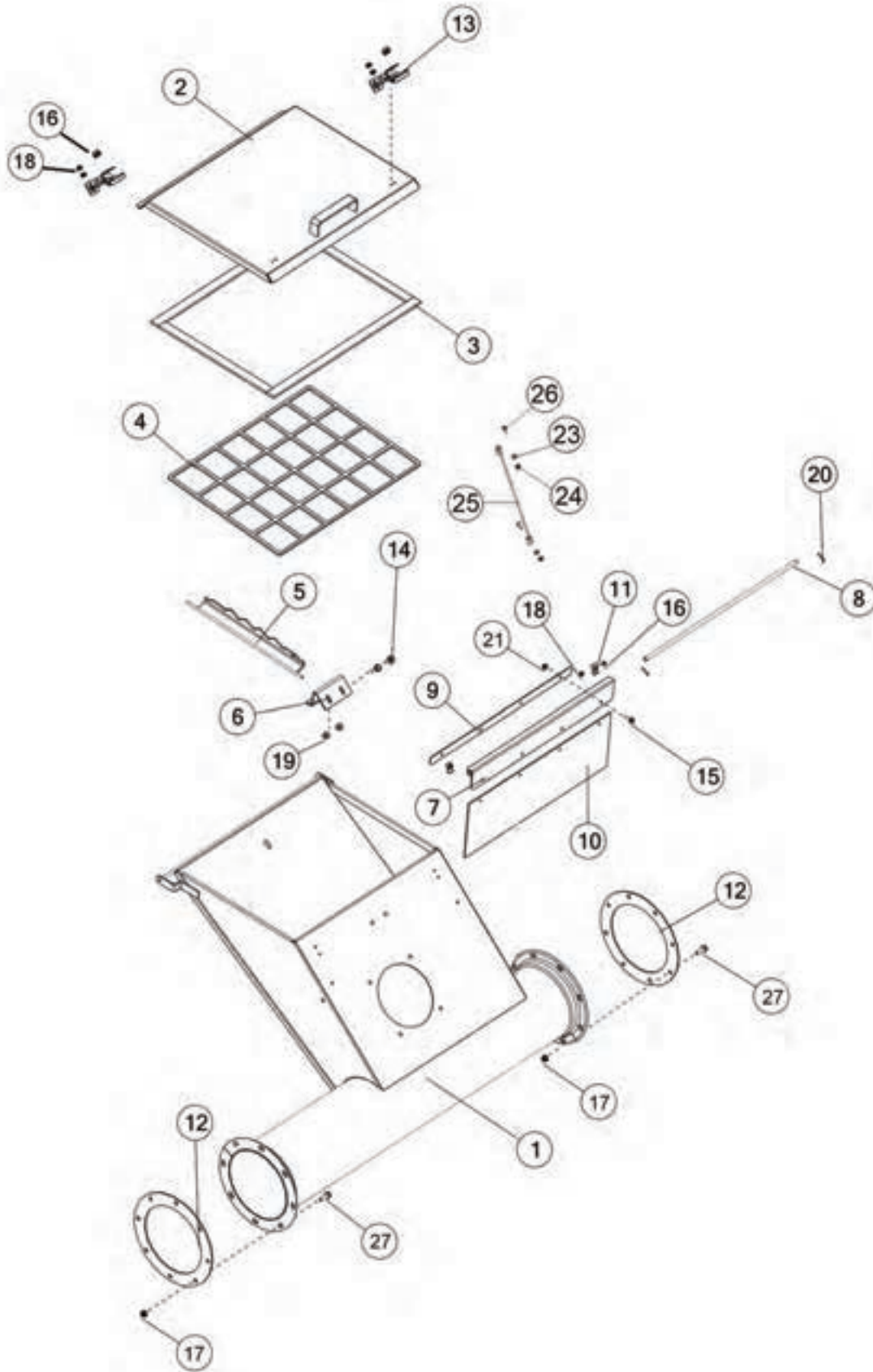
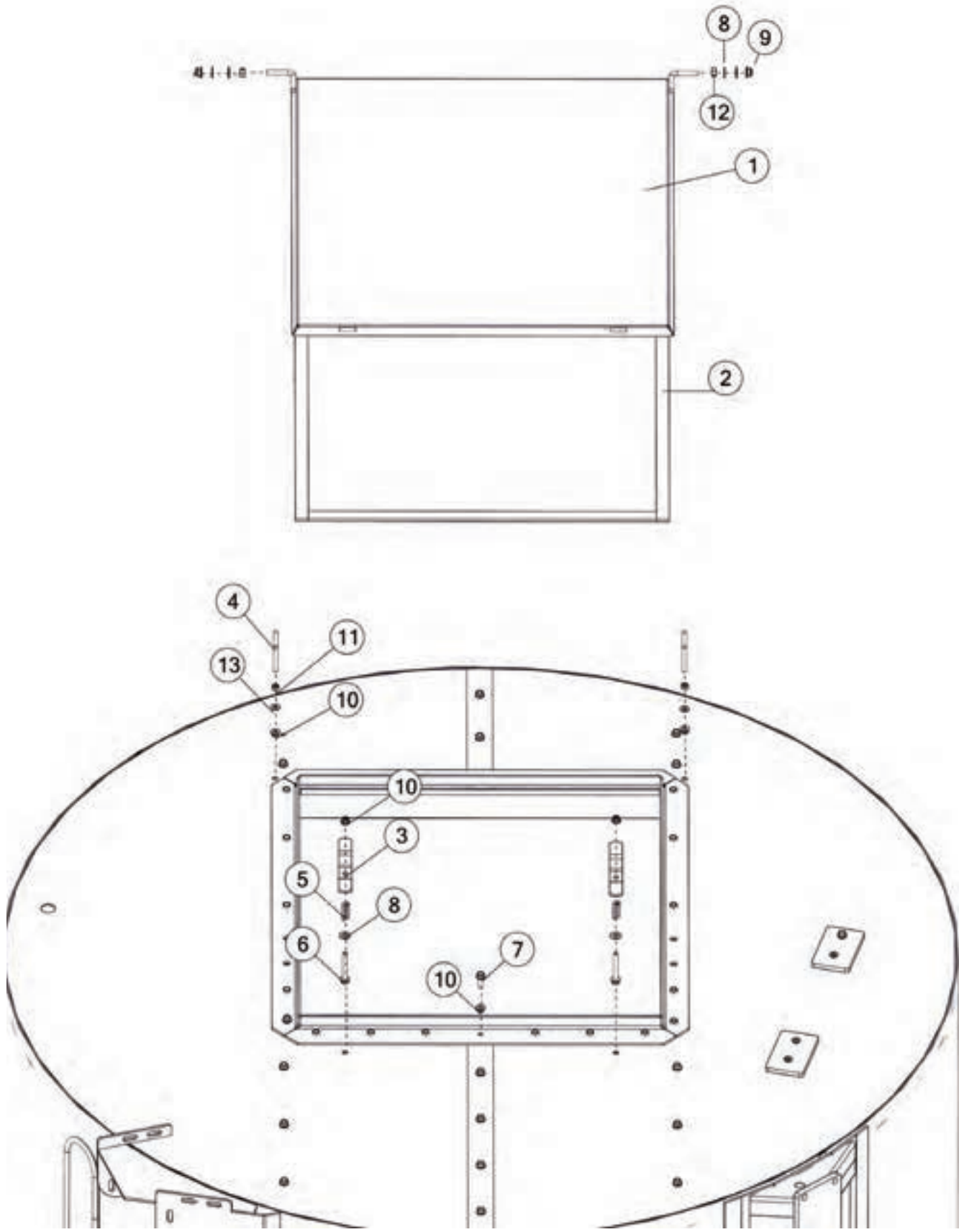
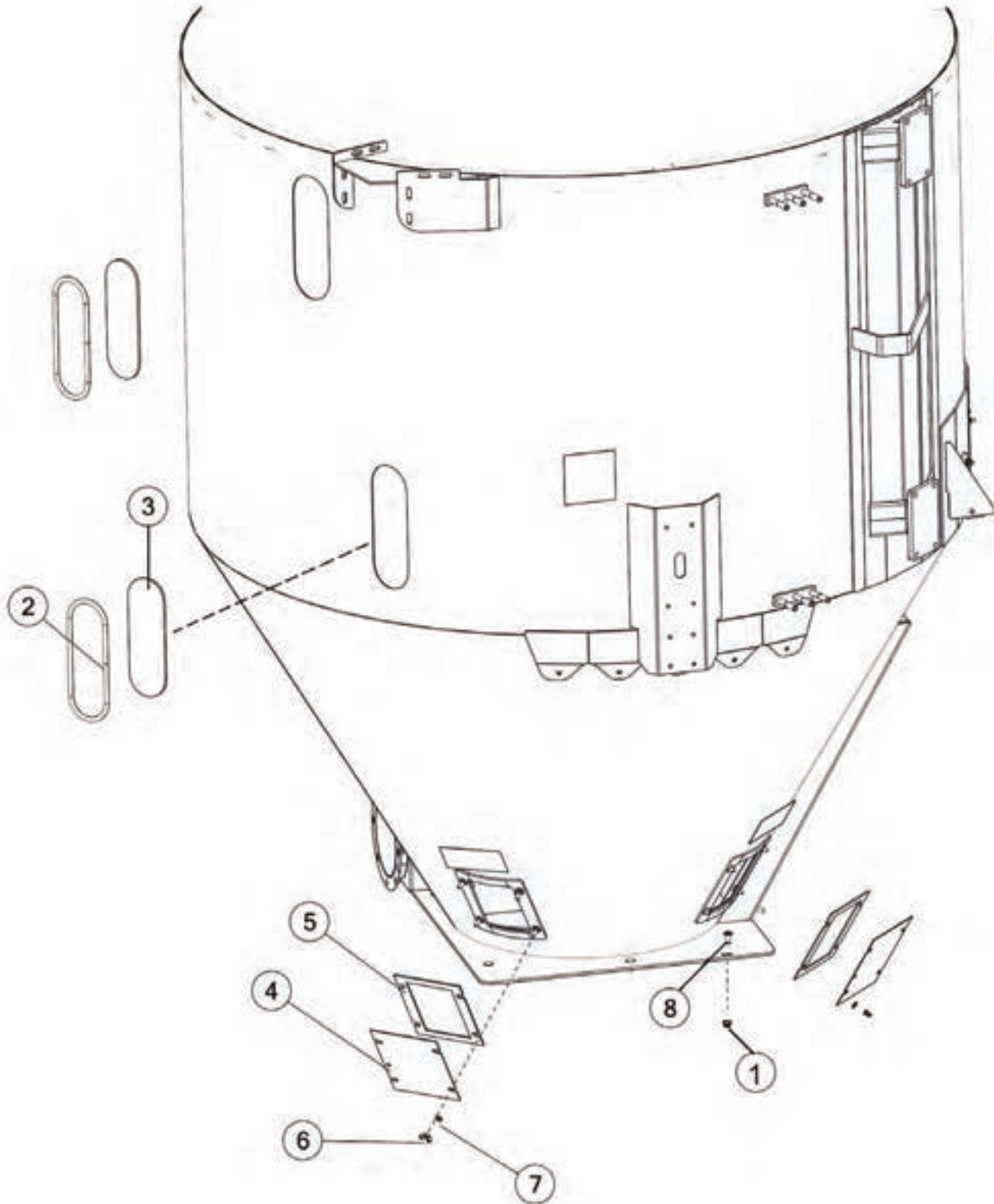
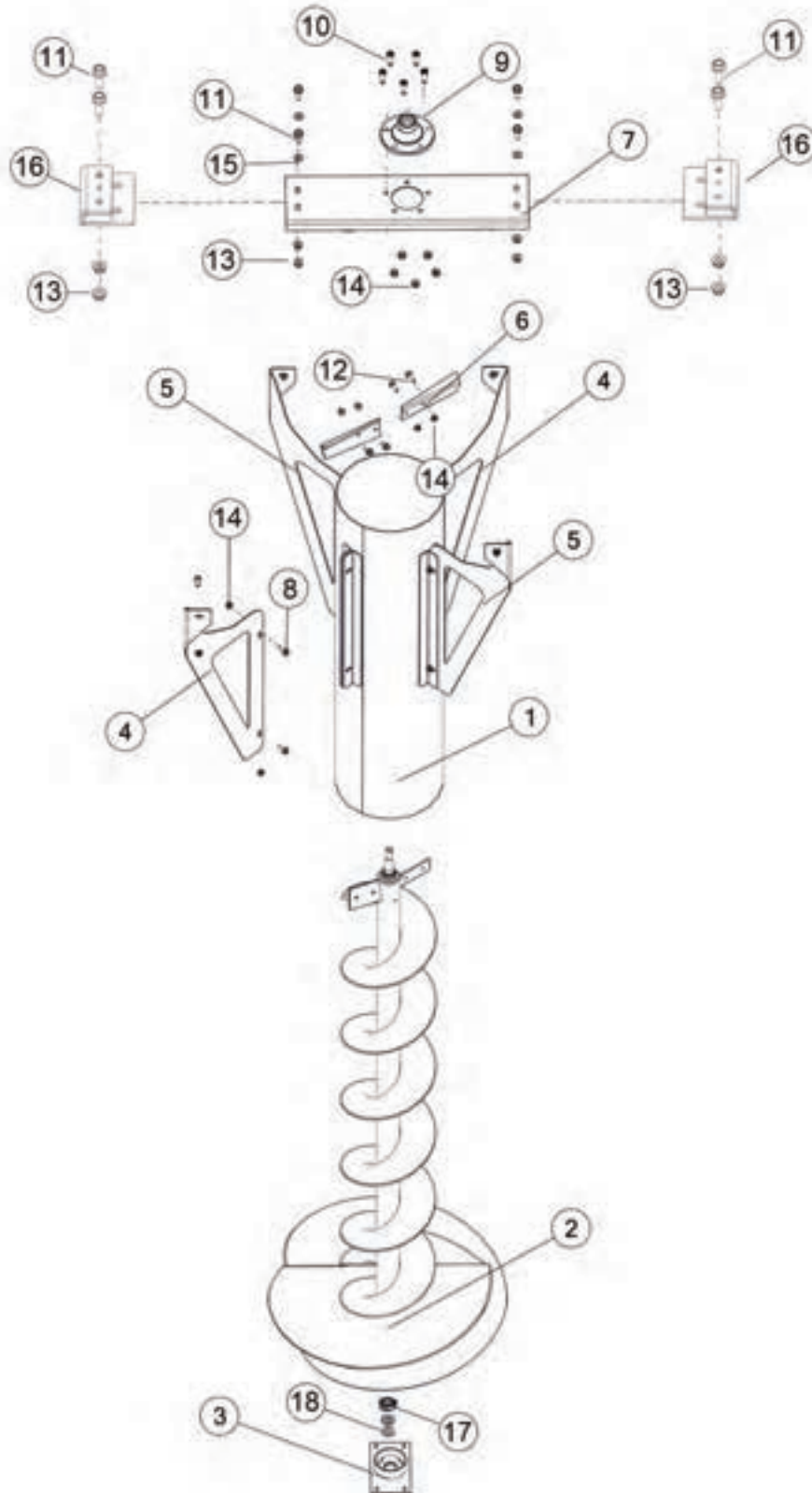


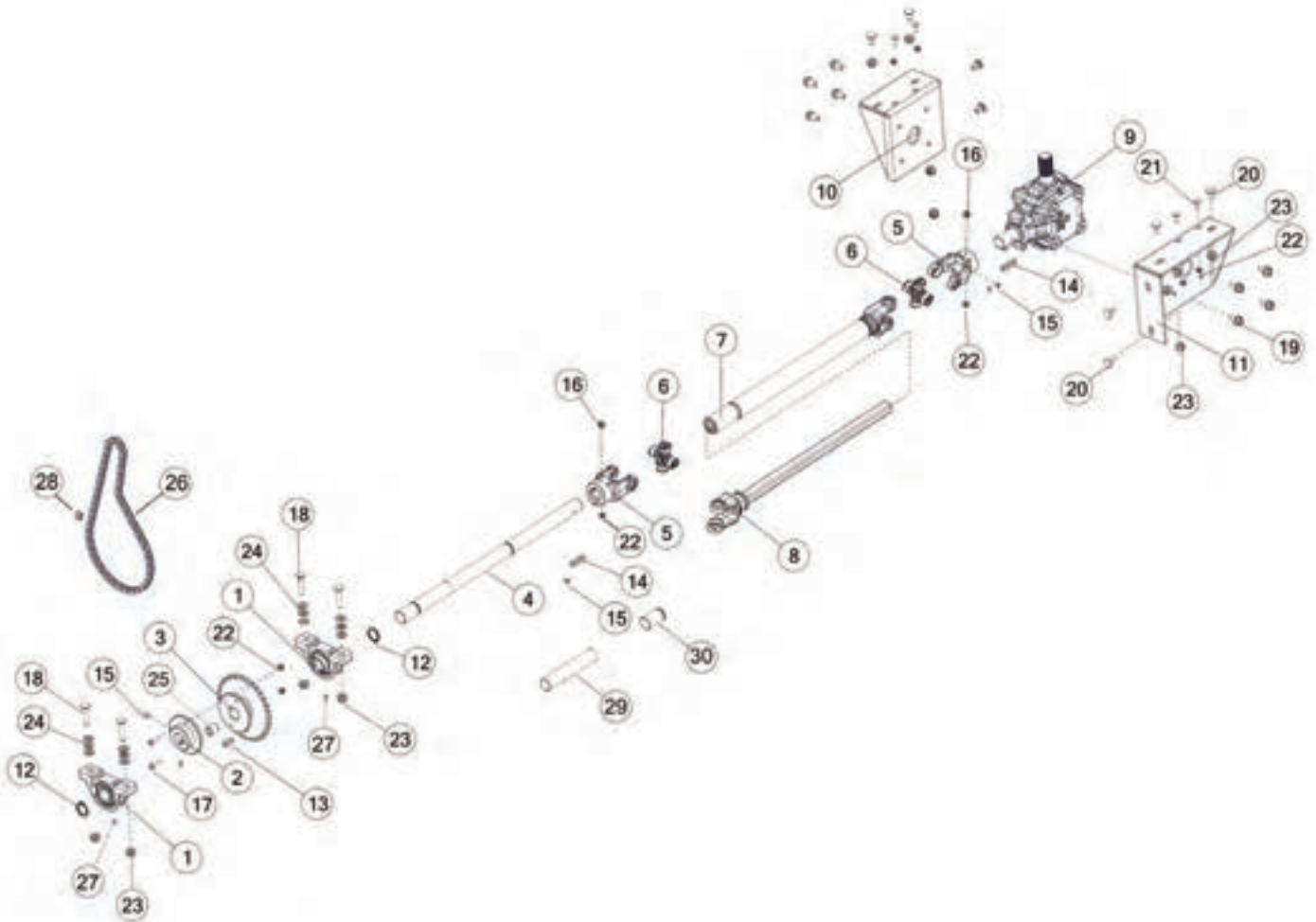


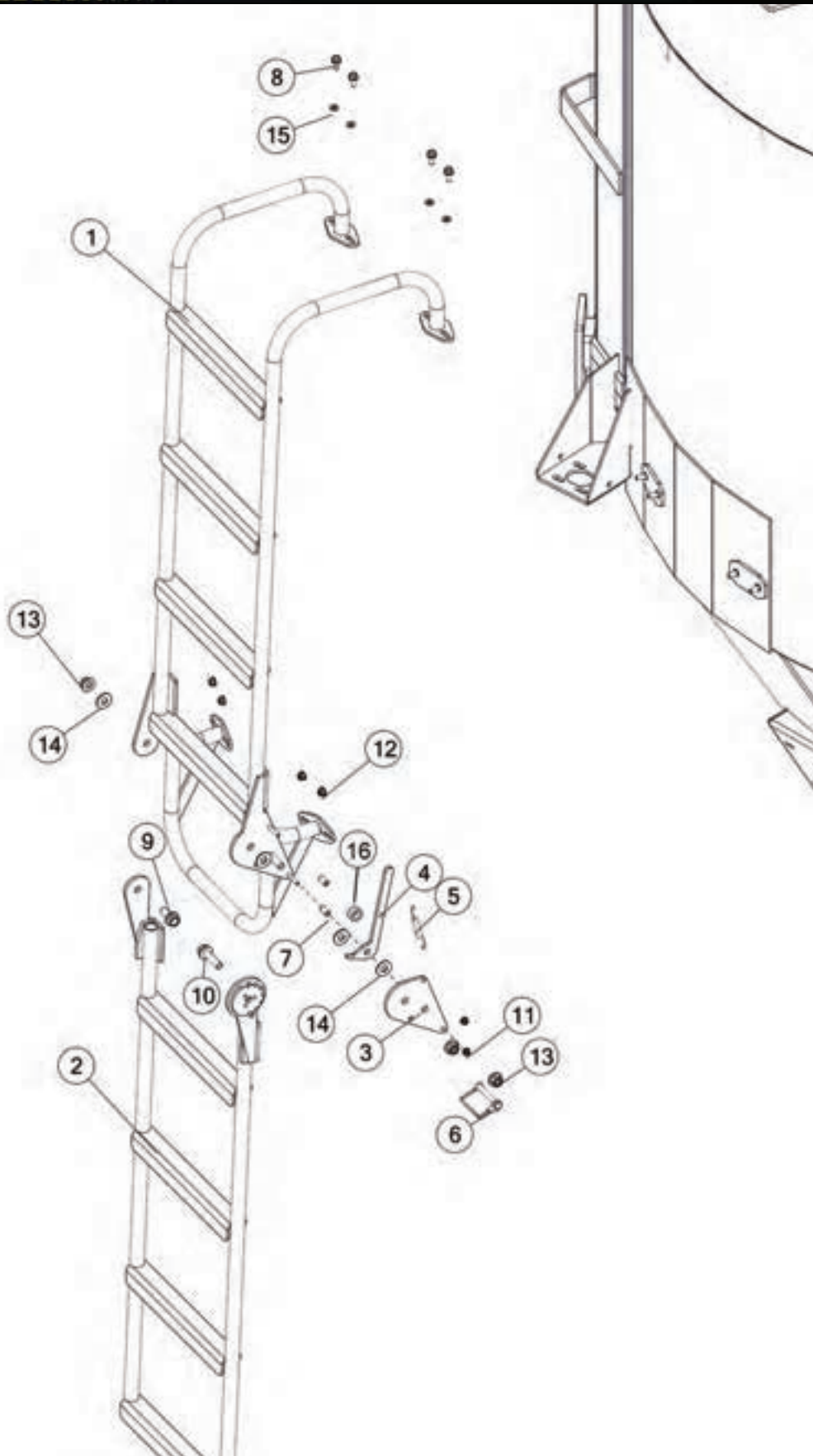
FIGURE 18
TANK COVER AND COMPONENTS











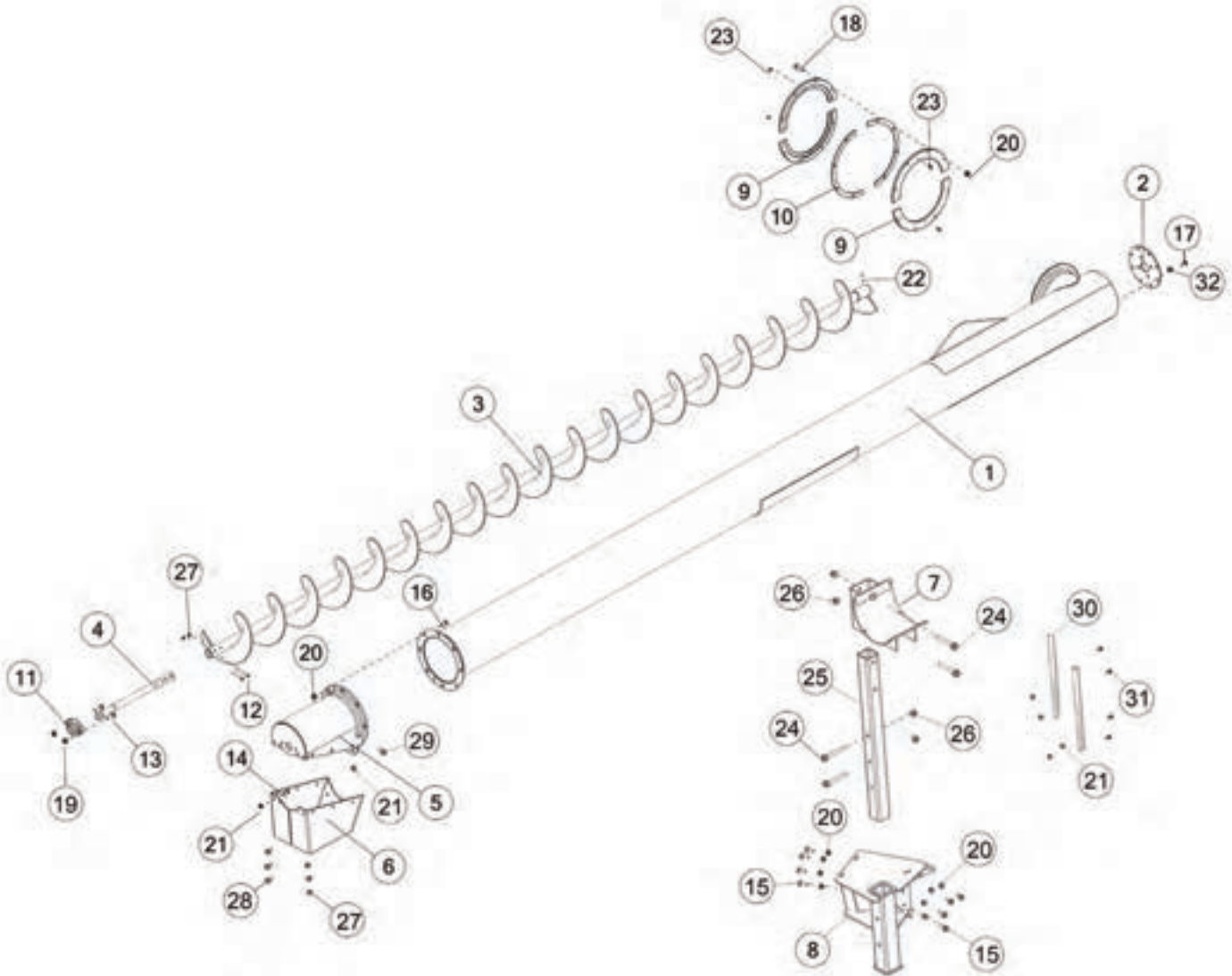




FIGURE 23

UNLOADING AUGER AND COMPONENTS

REF #	PART #	DESCRIPTION	QTY
1	85626B	UNLOADING AUGER HOUSING	1
2	GM245	AUGER INNER DRIVE CAP	1
3	80542	UNLOADING AUGER 12FT	1
4	85691	AUGER LONG BEARING SHAFT	1
5	GM243B	SPOUT	1
6	GM244	SPOUT RUBBER	1
7	90816	SUPPORT BRACKET	1
8	90803	SUPPORT BRACKET	1
9	GM231	STAGGERED PIVOT COLLAR	4
10	GM232	COLLAR SHIM	2
11	T40	BEARING W/LOCK COLLAR, 1	1
12	YBHH08060	BOLT HEX, 1/4-20 X 2-1/4 G5 ZC	2
13	YBFB12125	BOLT FLANGE, 3/8 X 1-1/4 G5	6
14	YBCR10030	BOLT CARRIAGE, 5/16 X 3/4 G5	9
15	YBFB12003	BOLT FLANGE, 3/8 X 1 G5 ZC	12
16	YBFB12003	BOLT FLANGE, 3/8 X 1 G5 ZC	6
17	YBFB10075	BOLT FLANGE, 5/16 X 3/4 G5	8
18	YBFB12150	BOLT FLANGE, 3/8 X 1-1/2 G5	8
19	YNNY12005	NUT HEX 3/8, G2	2
20	YNFG12006	NUT FLANGE, 3/8 GF	22
21	YNFG10005	NUT FLANGE, 5/16 GF	15
22	YSKP08005	SET SCREW, SCKET, KNURLED CUP PT, 1/4-28 X 1/4	1
23	RG51	ZERK, 90 DEGREE 1/4-28	4
24	YBFB16400	BOLT FLANGE, 1/2 X 4 G5	4
25	90766	SUPPORT BRACKET, POST	1
26	YNFG16003	NUT FLANGE, 1/2 GF	4
27	YNFG08010	NUT FLANGE , 1/4 GF	5
28	YBFB08075	BOLT FLANGE, 1/4 X 3/4 G5	3
29	YBFB10001	BOLT FLANGE, 5/16 X 1 G5	2
30	GM442	POLY STRIP	2
31	YSFS10005	SCREW, FLAT HEAD, SOCKET CAP, 5/16 X 1	4
32	YWLO10005	WASHER, LOCK, 5/16	8





FIGURE 24 VERTICAL AUGER TUBE AND COMPONENTS

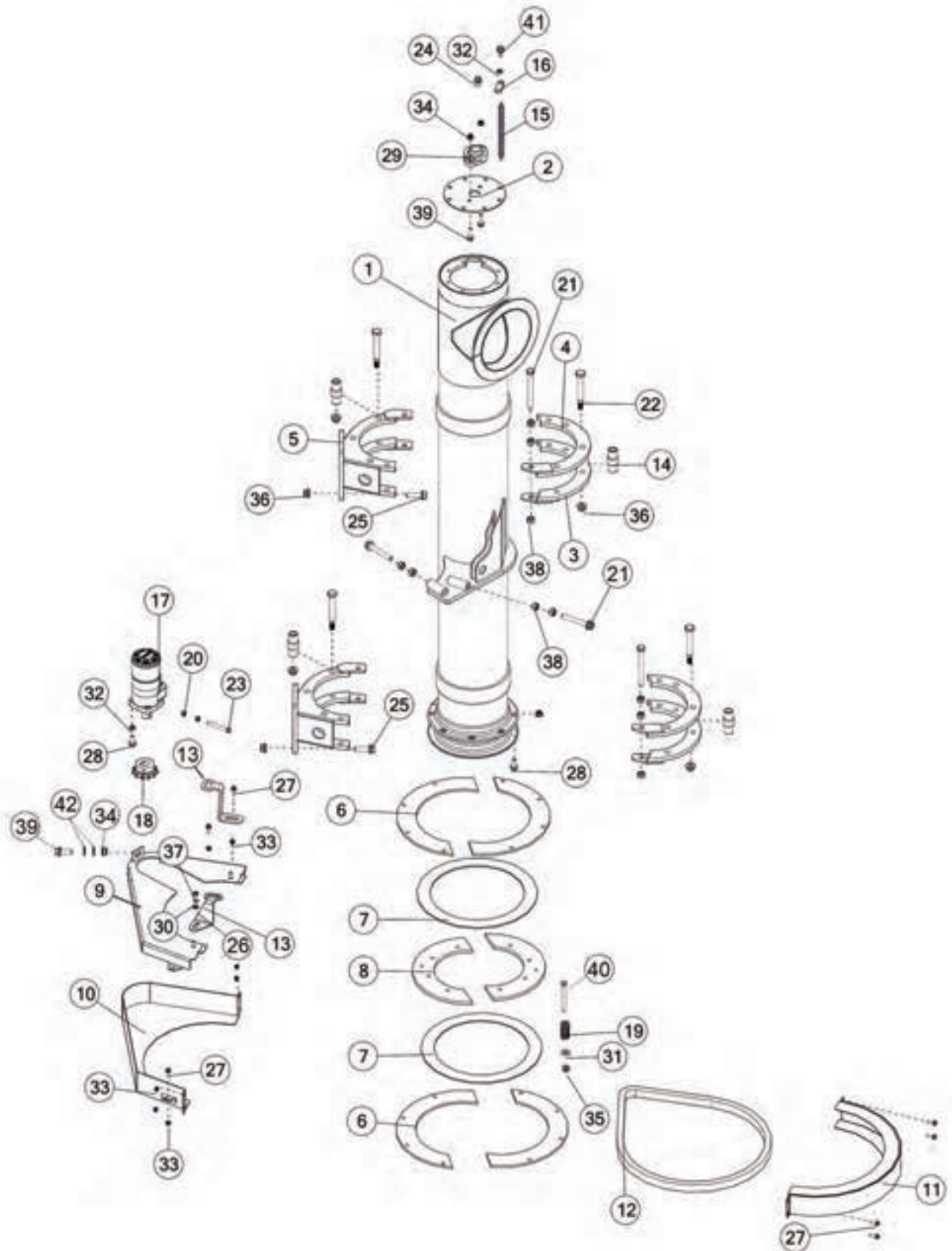
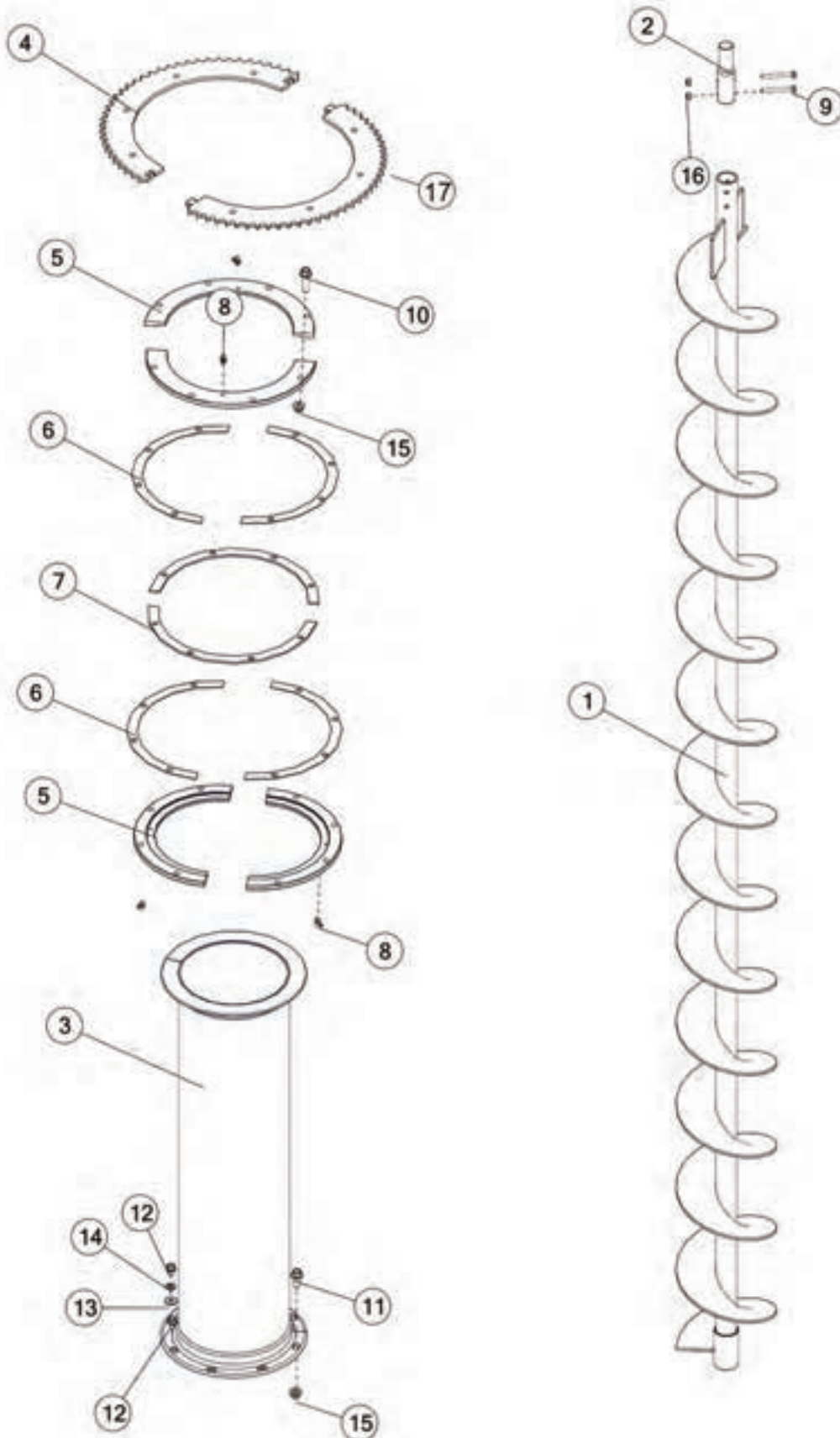


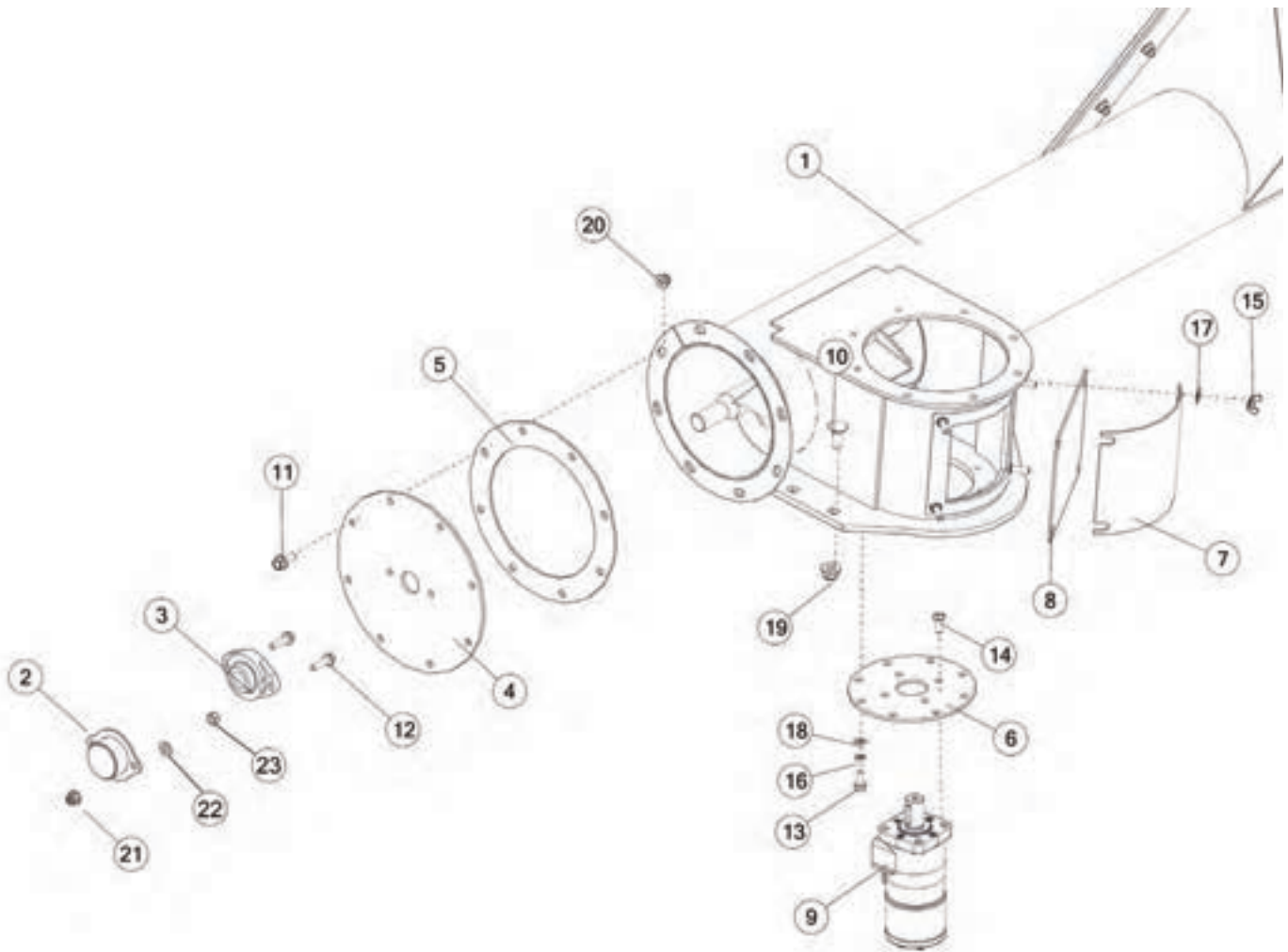


FIGURE 24 VERTICAL AUGER TUBE AND COMPONENTS

REF #	PART #	DESCRIPTION	QTY
1	85625	VERTICAL AUGER TUBE	1
2	85932	AUGER INNER IDLE CAP	1
3	GM340	SPLIT RING BOTTOM	2
4	GM341	SPLIT RING TOP	2
5	75386	AUGER, TOP	2
6	GM229	CLUTCH FACE	4
7	GM237	CLUTCH	2
8	GM228	CLUTCH PLATE	2
9	96451	CHAIN SHIELD, TOP	1
10	96454	CHAIN SHIELD, BOTTOM	1
11	96457B	GUARD, RING, OUTER W/ DECALS	1
12	84459	ROLLER CHAIN, 60 X 79	1
13	96468	BRACKET, GUARD	2
14	GM345	ROLLER	12
15	23N187	SPRING	1
16	GM436	HOSE HOLDER	1
17	81570	HYD MOTOR, 22.6CI	1
18	GM226	AUGER TURN SPROCKET	1
19	WM210	BRAKE SPRING	8
20	YNHX12005	NUT HEX, 3/8 G5	2
21	YBHH16166	BOLT HEX, FT, 1/2-13 X 6, G5, ZC	6
22	GM342	STEP BOLT	12
23	YBHH12099	BOLT HEX, FT, 3/8-16 X 2-1/4 G2 ZC	1
24	YBFB12075	BOLT FLANGE, 3/8 X 3/4 G5	7
25	YBFB16175	BOLT FLANGE, 1/2 X 1-3/4 G5	8
26	YWFL10005	WASHER FLAT, 5/16	2
27	YBFB08075	BOLT FLANGE, 1/4 X 3/4 G5	7
28	YBFB12125	BOLT FLANGE, 3/8 X 1-1/4 G5	12
29	T40	BEARING W/LOCK COLLAR, 1	1
30	YWLO10005	WASHER LOCK, 5/16	2
31	YWFL12005	WASHER FLAT, 3/8 G5	8
32	YWLO12005	WASHER LOCK, 3/8	8
33	YNFG08010	NUT FLANGE, 1/4 GF	7
34	YNFG10005	NUT FLANGE, 5/16 GF	3
35	YNFG12006	NUT FLANGE, 3/8 GF	16
36	YNFG16003	NUT FLANGE, 1/2 GF	20
37	YNHX10005	NUT HEX, 5/16 G2	2
38	YNHX16005	NUT HEX, 1/2 G2	14
39	YBFB10125	BOLT FLANGE, 5/16 X 1-1/4 G5	3
40	YBHH12160	BOLT HEX, 3/8 X 3-3/4 G5	8
41	YBFB12003	BOLT FLANGE, 3/8 X 1 G5 ZC	1
42	YWFL12010	WASHER FLAT, 3/8 G8	2







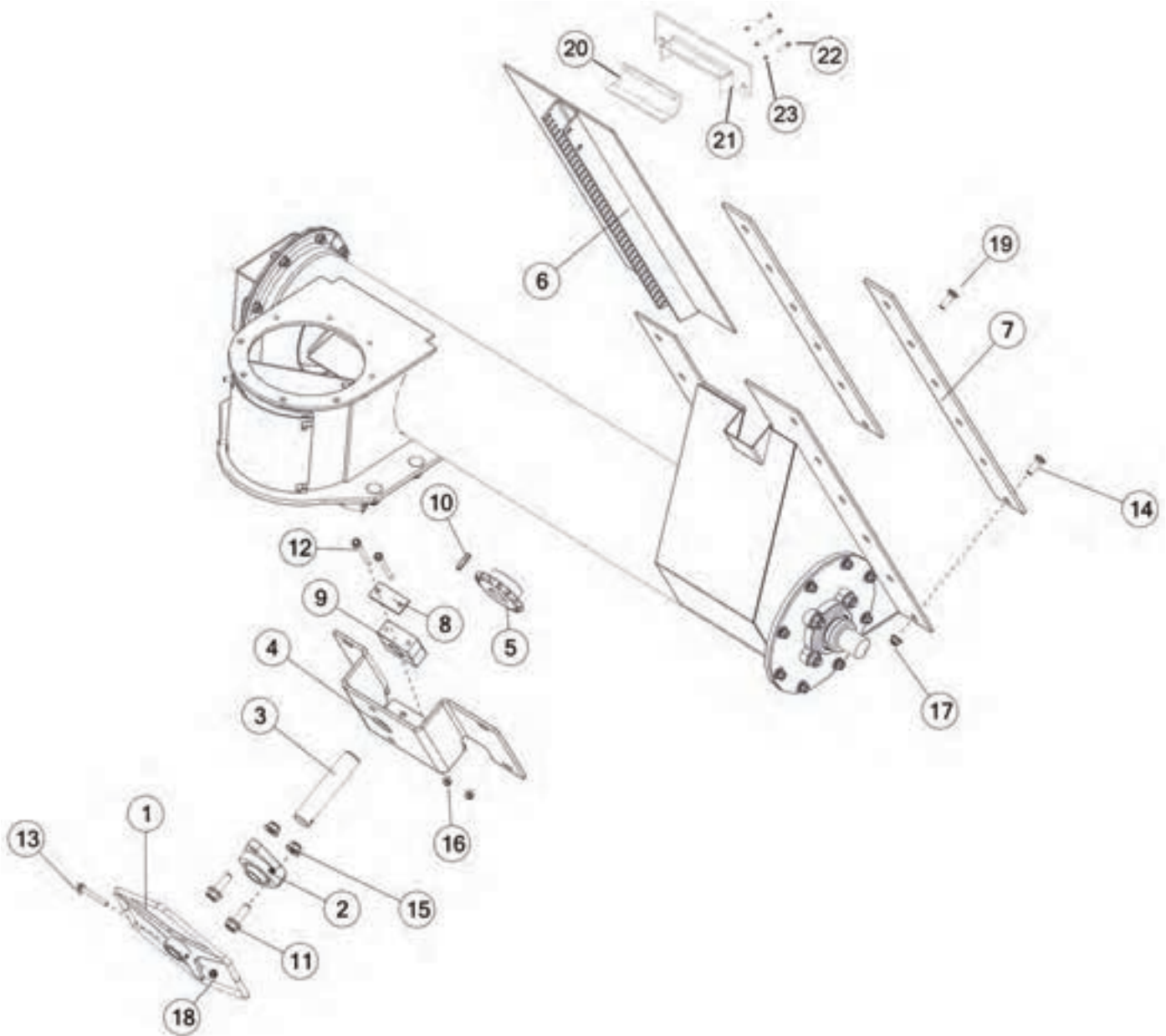
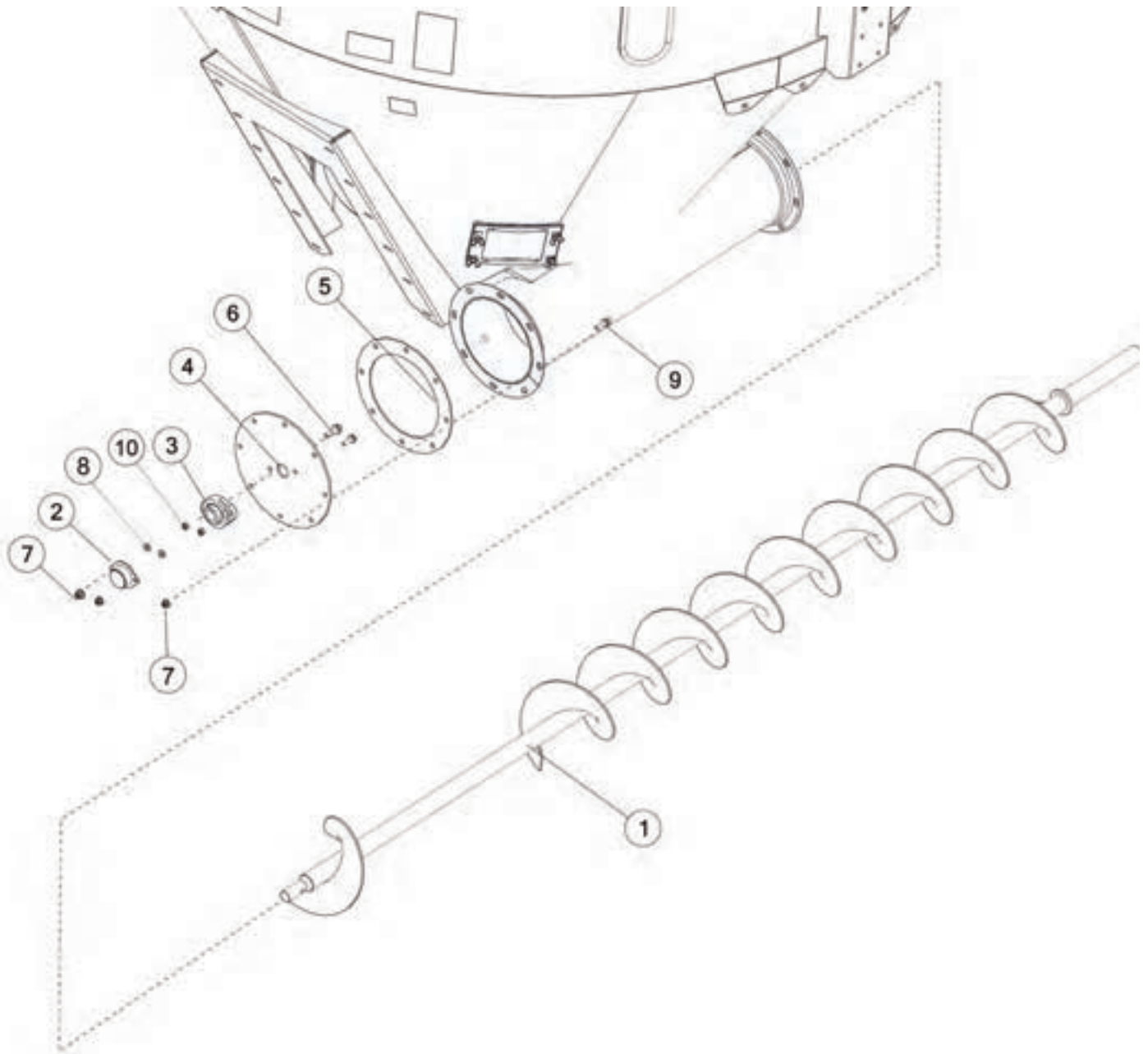




FIGURE 29
TRANSFER AUGER AND COMPONENTS



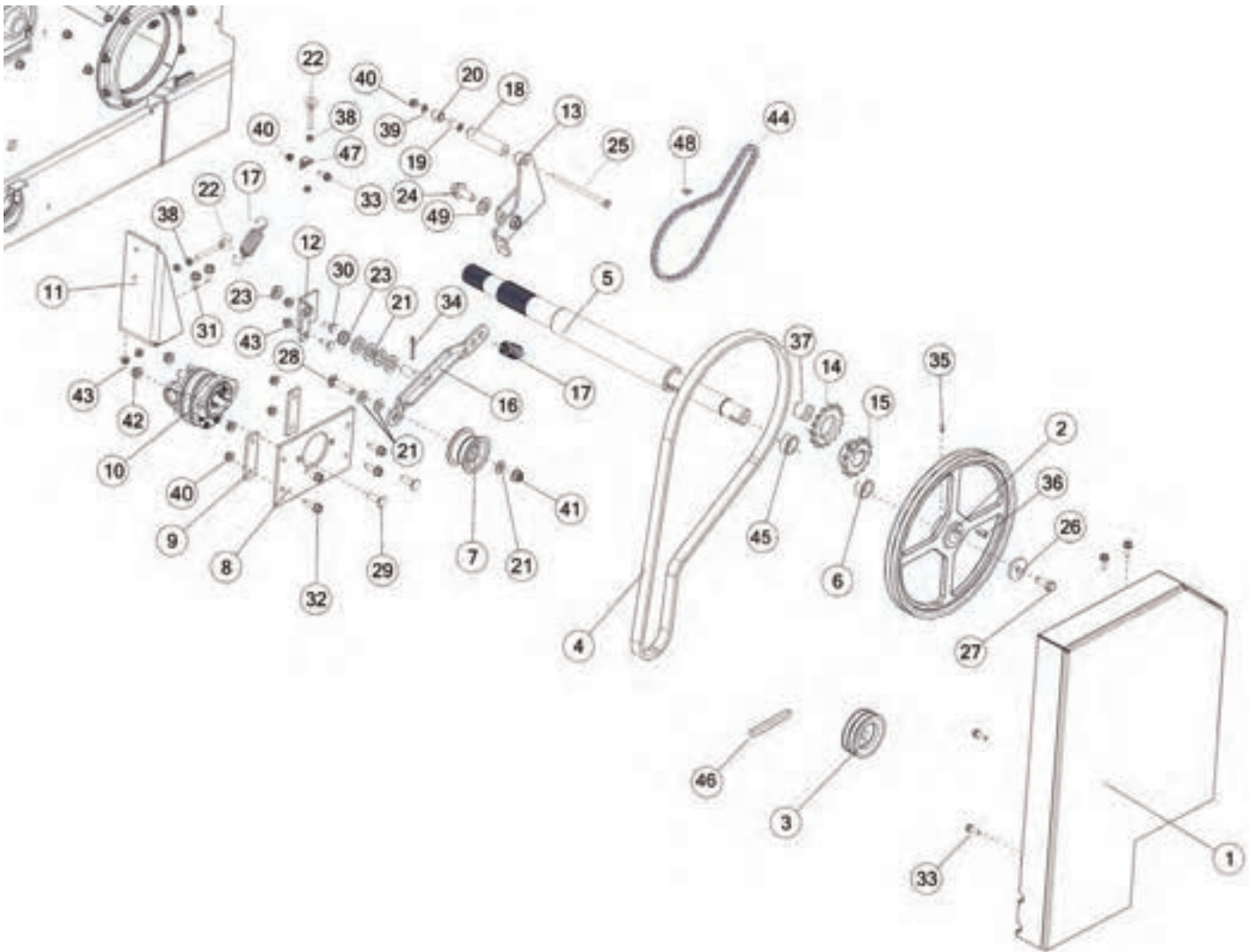




FIGURE 30

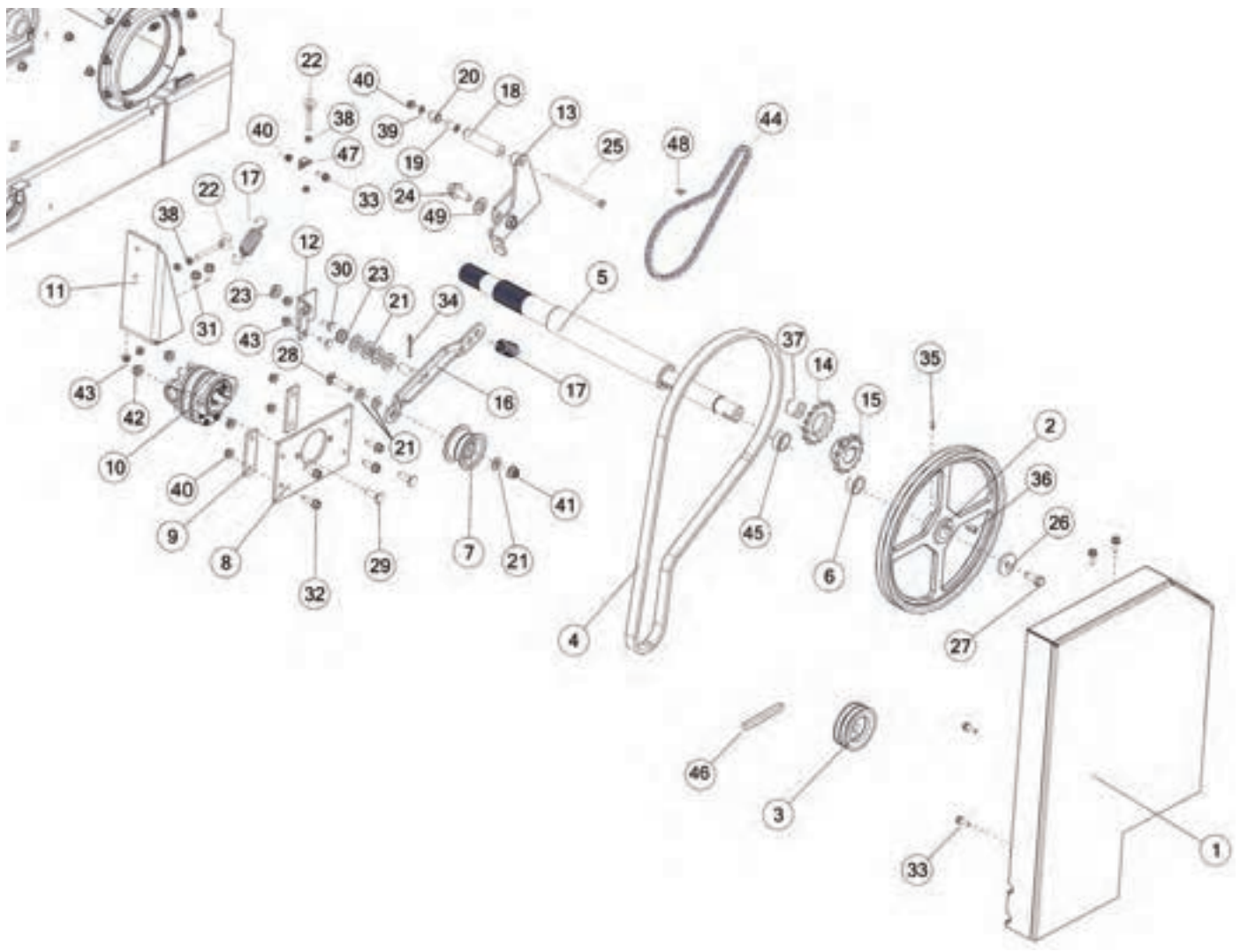
DRIVE PULLEY AND COMPONENTS

REF #	PART #	DESCRIPTION	QTY
1	84454	BELT SHIELD	1
2	56635	PUMP DRIVE SHEAVE, 540 RPM	1
3	88022	BELT PULLEY	1
4	81621	BELT, 540	1
*	83926	BELT, 1000	1
5	99087	MAIN DRIVE SHAFT	1
6	84508	SPACER, 0.59	1
7	K156	WIDE TIGHTENER FOR DOUBLE BELT	1
8	81618	HYDRAULIC PUMP BRACKET	1
9	96112	PUMP SHIM	4
10	81560	HYDRAULIC PUMP	1
11	84435	TENSIONER BRKT	1
12	84003	IDLER BRACKET TENSIONER	1
13	99131	CHAIN TENSIONER	1
14	99110	DOUBLE SPROCKET,15	1
15	99086	DOUBLE SPROCKET, 13	1
16	79716	BELT TENSIONER	1
17	GM410	EXTENSION SPRING	2
18	84429	SPACER, 4.875 TENSIONER	1
19	GM299	TENSIONER PIVOT	1
20	GM296	IDLER PIVOT BUSHING, 3/4OD X 5/8ID X 3/4	1
21	YWFL24020	WASHER FLAT, 3/4	15
22	YBTE10035	BOLT TURNED EYE, 5/16-18 X 3	2
23	90865	IDLER PIVOT BUSHING, BRONZE	2
24	YBFB20300	BOLT FLANGE, 5/8 X 3 G5	1
25	YBHH10135	BOLT HEX, 5/16-18 X 6 G5 ZC	1
26	GM415	INPUT YOKE WASHER	1
27	YBHH16046	BOLT HEX, 1/2-20 X 1-1/4 G5	1
28	YBCR16035	BOLT CARRIAGE, 1-1/2 X 2-3/4 G5 ZC	1
29	YBCR14007	BOLT CARRIAGE, 7/16-14 X 1-1/2 G5 ZC	2
30	YBCR12010	BOLT CARRIAGE, 3/8 X 1 G5	2
31	YBFB12003	BOLT FLANGE, 3/8 X 1 G5 ZC	2
32	YBFB12225	BOLT FLANGE, 3/8 X 2-1/4 G5	4
33	YBFB10001	BOLT FLANGE, 5/16 X 1 G5	5
34	YPCT08005	COTTER PIN, 1/4 X 1-3/4	1
35	YSKP10010	SCREW SOCKET HEAD, 5/16 X 3/8	1
36	G12	WOODRUFF KEY, 5/16 X 1	1
37	99108	BEARING, .64	1
38	YNHX10010	NUT HEX, 5/16 G5	4





FIGURE 30 DRIVE PULLEY AND COMPONENTS



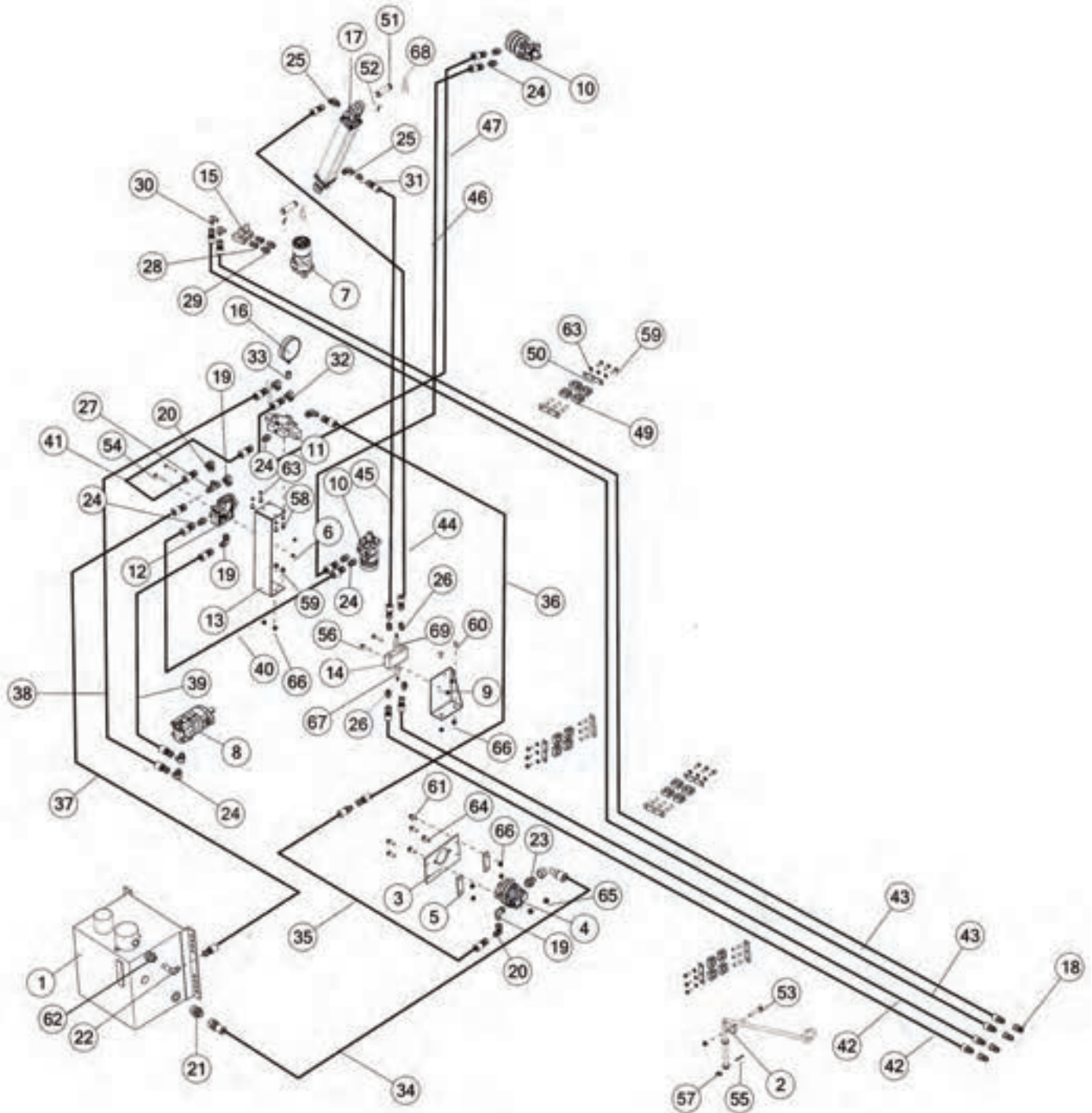




FIGURE 31

HYDRAULICS

REF #	PART #	DESCRIPTION	QTY
1	81577B	HYD TANK, 12GAL	1
2	GM440	GRINDER HOSE HOLDER	1
3	81618	HYD PUMP BRACKET	1
4	81560	HYD PUMP	1
5	96112	PUMP SHIM	4
6	YNFG08010	NUT FLANGE, 1/4 GF	2
7	81570	HYD MOTOR, 22.6CI	1
8	81565	HYD MOTOR, 6.2CI	1
9	84333	HYD VALVE BRKT	1
10	85344	HYD MOTOR, 10.1CI	2
11	81576	HYD VALVE, CONTROL	1
12	GM20	FLOW CONTROL	1
13	84297	CONTROL BRACKET	1
14	81571	HYD VALVE, CROSS PORT	1
15	CHM265	F600S PARKER COLOR FLOW NEEDLE VALVE	2
16	84937	HYD VALVE, GAUGE	1
17	78777	HYD CYLINDER, 2.5 X 18, ORB	1
18	67148	FITTING, ST, 8ORB, QUICK COUPLER TIP	3
19	GM56	FITTING 90, 10JIC X 10ORB	5
20	83997	FITTING 90, 10 JIC, 10 JIC	2
21	81644	FITTING, ST, 16JIC, 20NPT	1
22	84342	MALE ELBOW, 37DEC/NPT	1
23	TFM23	FITTING STRAIGHT, 16JIC X 16ORB	1
24	GM57	FITTING, ST, 10JIC, 10ORB, STL	6
25	TS135	FITTING, ELBOW, 8-C5OX-S	2
26	TS137	FITTING, ST, 8 JIC, 8 ORB, STL	4
27	GM55	FITTING, TEE, 10JIC X 10JIC X 10JIC	1
28	84724	MALE CONNECTOR 37 DEG SWIVEL	2
29	GM27	FITTING, ST, 8JIC, 10ORB, STL	2
30	TS136	FITTING, 90, 8JIC X 3/8NPT	2
31	58177	ORIFICE, 8 XHX7-S .062	2
32	83733	FITTING, 90, 10JIC X 8ORB	1
33	82668	FITTING, ST, 8ORB, 1/4NPT, STL	1
34	84338	HYD HOSE, 16, 80IN	1
35	83842	HYD HOSE, 10, 111IN	1
36	83844	HYD HOSE, 10, 254IN	1
37	83849	HYD HOSE, 10, 162IN	1
38	85986	HYD HOSE, 10, 40IN	1
39	83851	HYD HOSE, 10, 24IN	1





FIGURE 31 HYDRAULICS

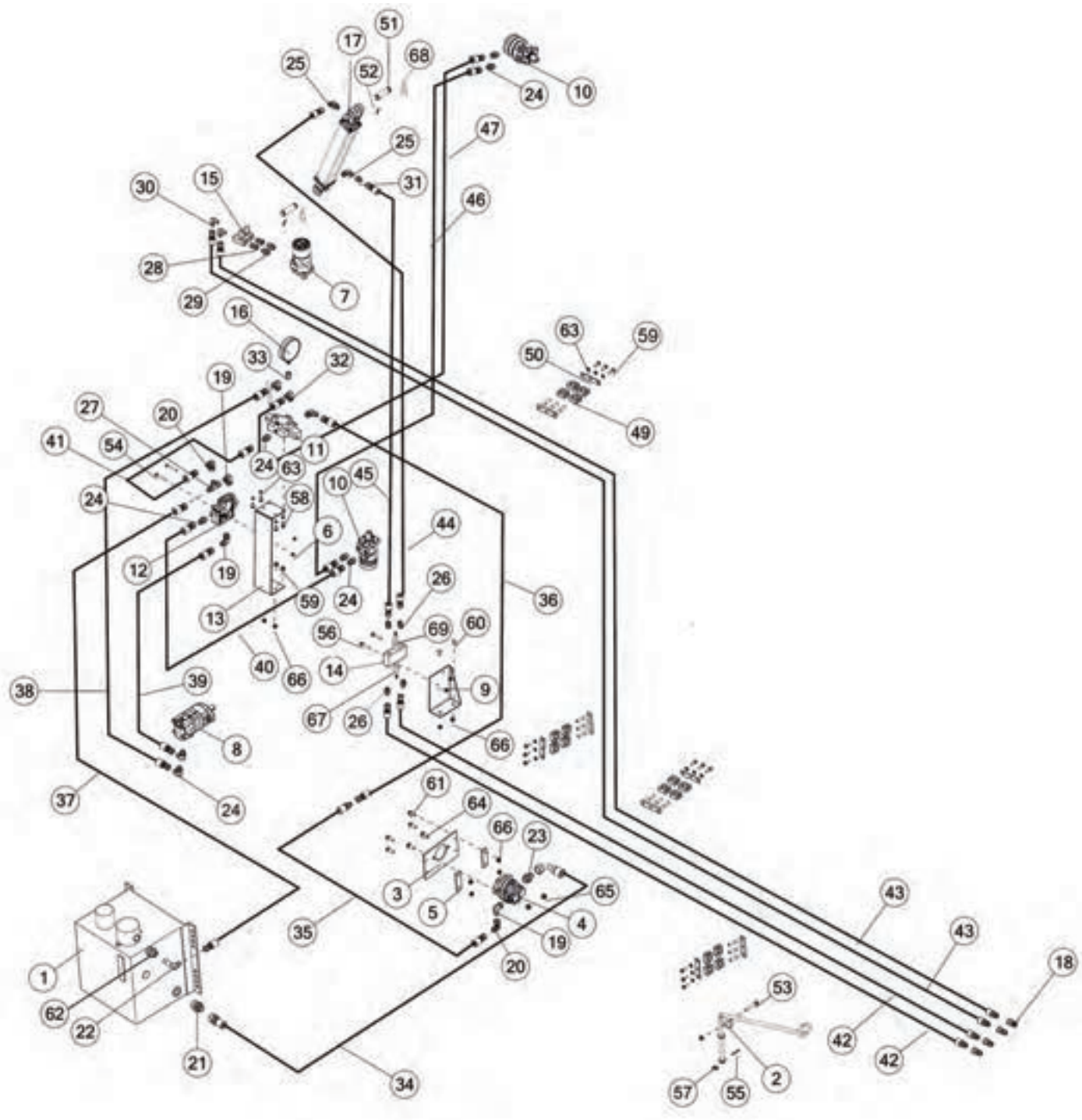


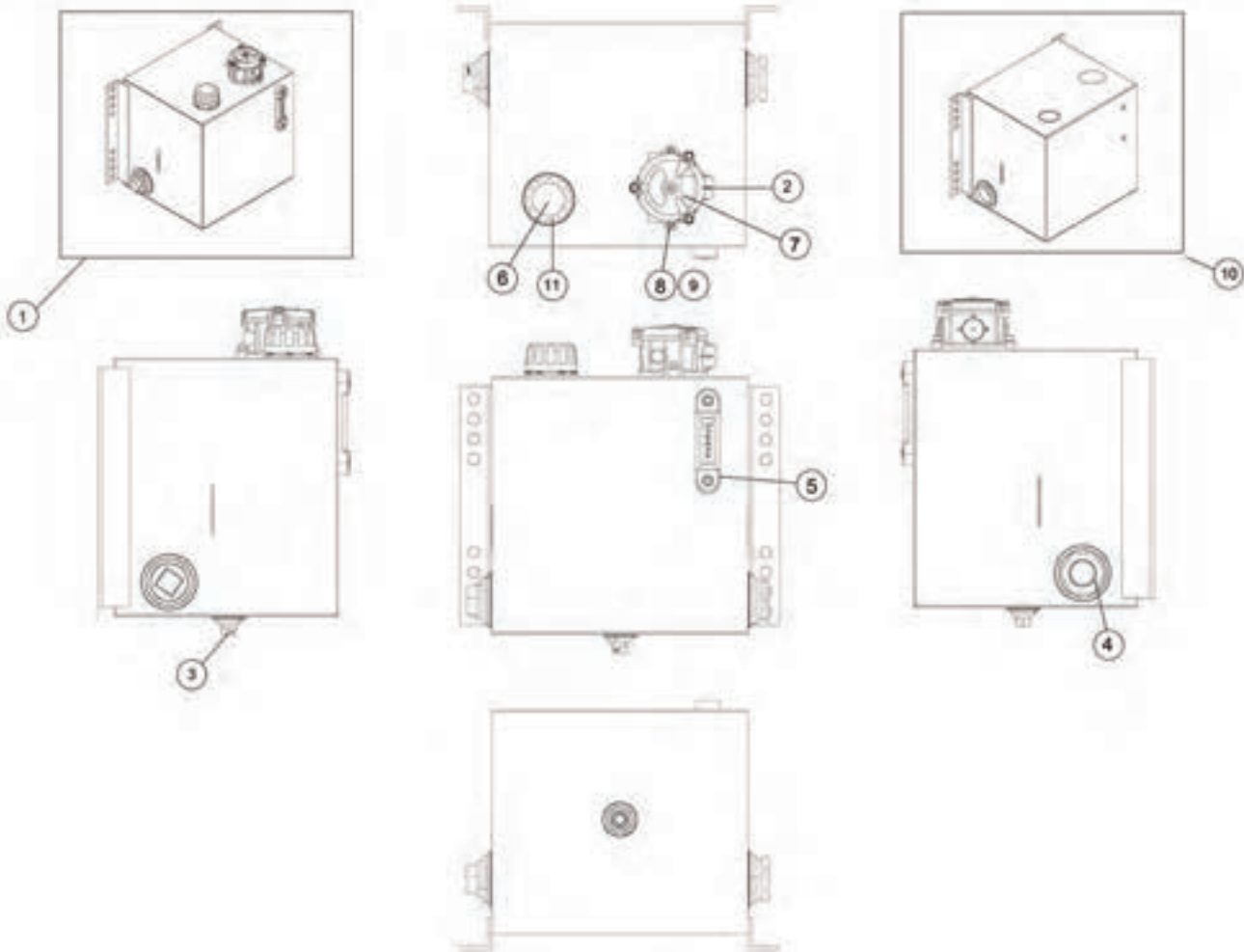


FIGURE 31

HYDRAULICS

REF #	PART #	DESCRIPTION	QTY
40	83850	HYD HOSE, 10, 36IN	1
41	84731	HYD HOSE, 10, 32IN	1
42	83902	HYD HOSE, 8, 251IN	1
43	83903	HYD HOSE, 8, 288IN	1
44	83852	HYD HOSE, 8, 158IN	1
45	83853	HYD HOSE, 8, 172IN	1
46	83846	HYD HOSE, 10, 185IN	1
47	82561	HYD HOSE, 10, 185IN	1
48	82556	HYD HOSE, 10, 185IN	2
49	GM66	HOSE CLAMP INSERT 1/2	16
50	GM64	TOP PLATE	4
51	T143	HYDRAULIC CYLINDER PIN	2
52	YPCT05010	COTTER PIN 5/32 X 1-1/2	4
53	YBFB12275	BOLT FLANGE, 3/8 X 2-3/4 G5	1
54	YBFB08250	BOLT FLANGE, 1/4 X 2-1/2 G5	2
55	YPCT06005	COTTER PIN, 3/16 X 1-1/2	1
56	YBFB10225	BOLT FLANGE, 5/16 X 2-1/4 G5	2
57	YWFL20010	WASHER FLAT, 5/8 G8	1
58	YBFB10075	BOLT FLANGE, 5/16 X 3/4 G5	4
59	YBFB12003	BOLT FLANGE, 3/8 X 1 G5	2
60	YBCR12010	BOLT CARRIAGE, 3/8-16 X 1 G5 ZC	2
61	YBFB12225	BOLT FLANGE, 3/8 X 2-1/4 G5	4
62	LW99	FITTING STRAIGHT, 3/4 NPT, 1/2 NPT	1
63	YWLO12005	WASHER LOCK, 3/8	12
64	YBCR14007	BOLT CARRIAGE, 7/16-14 X 1-1/2 G5 ZC	2
65	YNFG14011	NUT FLANGE, 7/16 GF	2
66	YNFG12006	NUT FLANGE, 3/8 GF	4
67	94612	CARTRIDGE VALVE, 600	1
68	YPHR02020	HAIR PIN, #23-10	2
69	94610	CARTRIDGE VALVE, 1800	1
*	94619	SEAL KIT	1





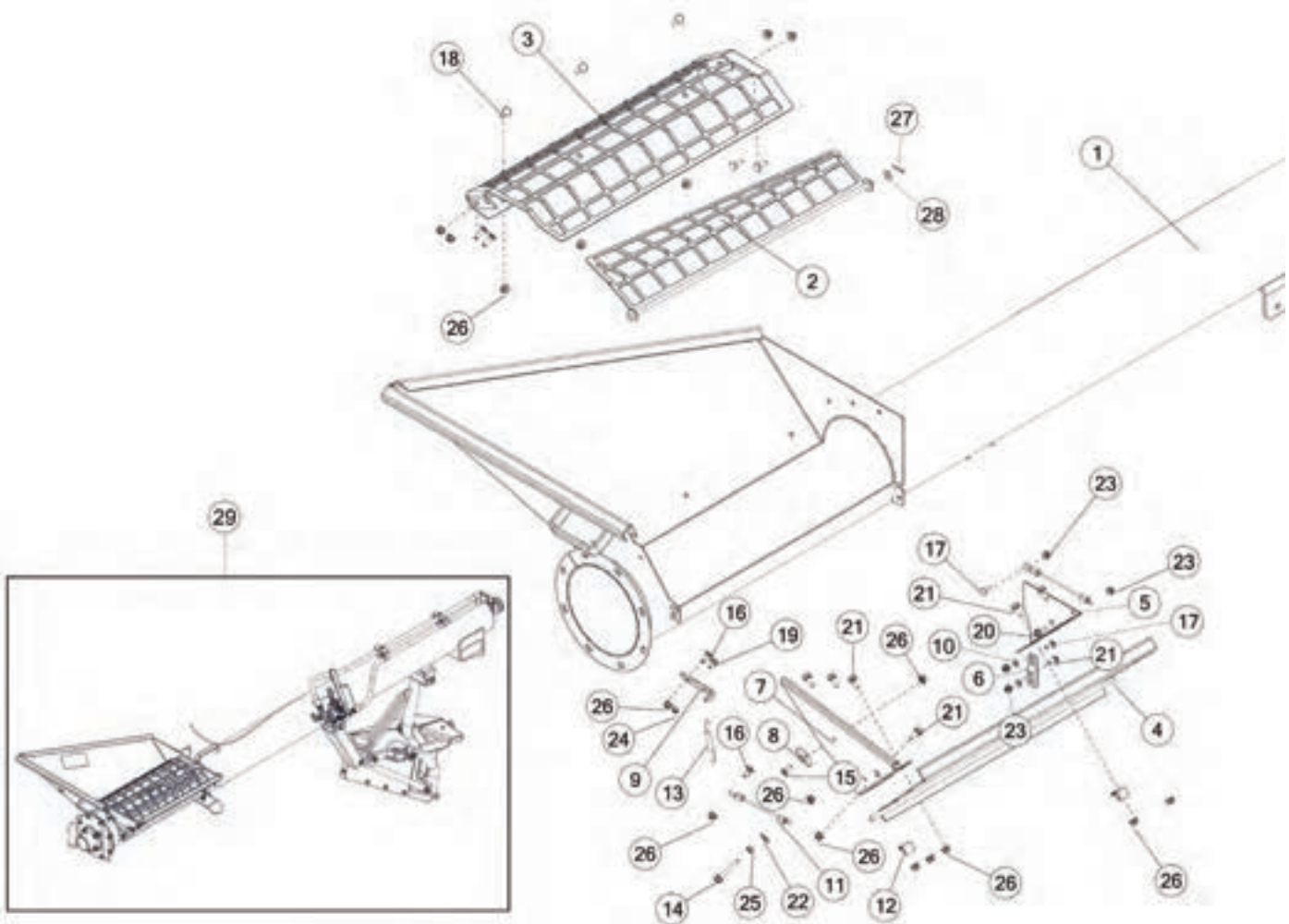




FIGURE 34
CONVENTIONAL SWINGING INTAKE AUGER OPTION
(GMOCSIA)

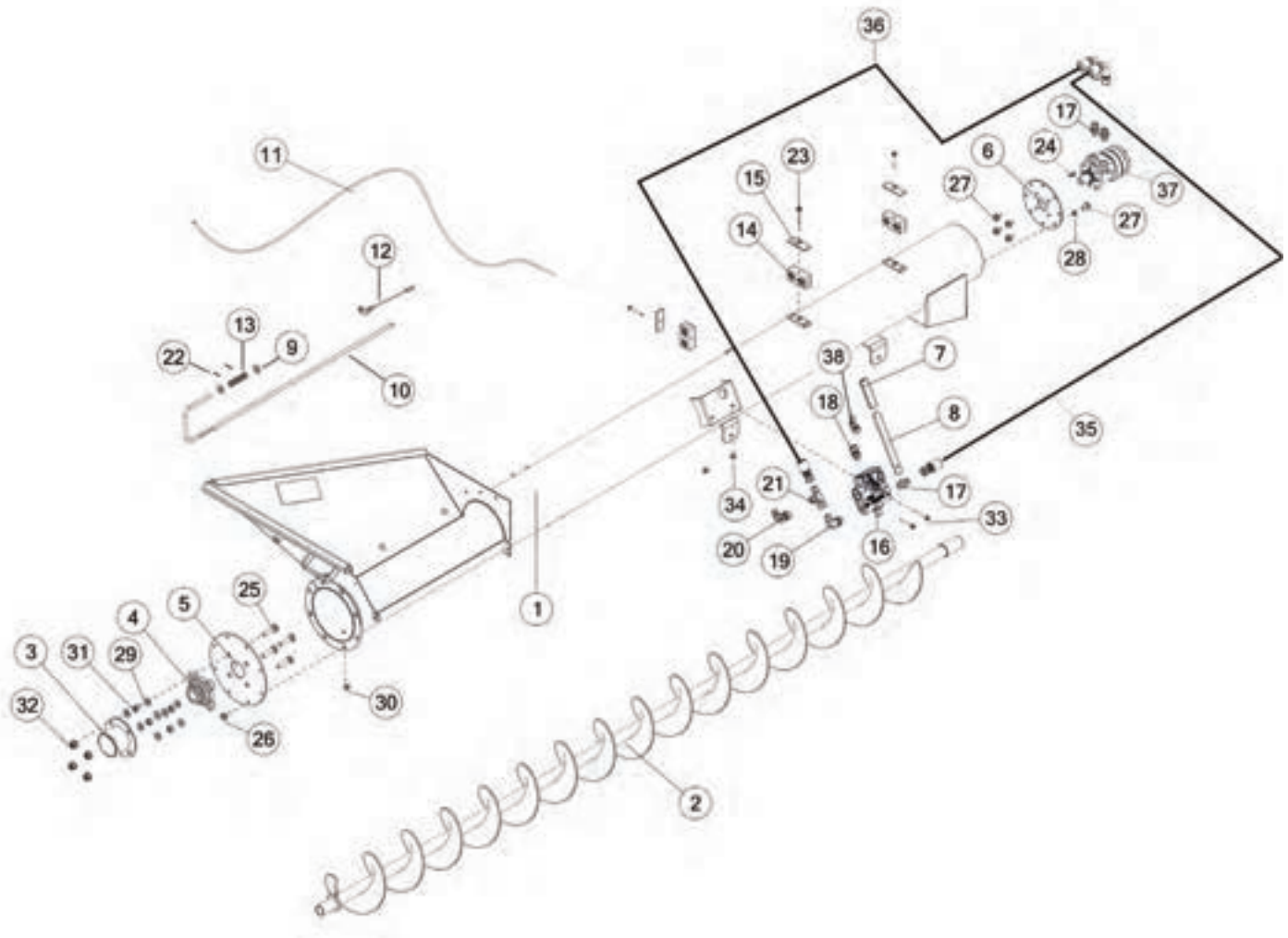




FIGURE 34

CONVENTIONAL SWINGING INTAKE AUGER OPTION (GMOCSIA)

REF #	PART #	DESCRIPTION	QTY
1	86451B	INFEED AUGER WELDMENT	1
2	86514	8 IN. INFEED AUGER, ASSY	1
3	89611	BEARING FLANGE GUARD	1
4	78670	BALL BEARING, 1.50	1
5	85629	AUGER DRIVE CAP	1
6	GM245	AUGER INNER DRIVE CAP	1
7	GM370	HANDLE GRIP	1
8	89976	HANDLE BRACKET	1
9	YWFL16005	WASHER FLAT, 1/2	2
10	90689	HANDLE LATCH	1
11	GM434	TRIP ROPE	1
12	S122	LYNCH PIN W/CABLE	1
13	17G128	COIL SPRING	1
14	86579	HOSE CLAMP, DOUBLE, 5/8"	3
15	86581	T4 HOSE CLAMP COVER	3
16	GM20	FLOW CONTROL	1
17	GM57	FITTING, ST, 10JIC, 10ORB, STL	1
18	84907	FITTING ST, 5/8 JIC, 10 ORB	1
19	GM56	FITTING, 90, 10JIC X 10ORB	1
20	83997	FITTING 90, 10 JIC, 10 JIC	1
21	GM55	FITTING, TEE, 10JIC X 10JIC X 10JIC	1
22	YPCT04005	COTTER PIN, 1/8 X 1	2
23	YBFB10200	BOLT FLANGE, 5/16 X 2 G5	3
24	5B10	WOODRUFF KEY, 1/4 X 1	1
25	YBCR16023	BOLT CARRIAGE, 1/2-13 X 2-1/4 G5 ZC	4
26	YBFB12003	BOLT FLANGE, 3/8 X 1 G5	8
27	YBFB12075	BOLT FLANGE, 3/8 X 3/4 G5	4
28	YWLO12005	WASHER LOCK, 3/8	12
29	YWFL16010	WASHER FLAT, SAE 1/2	8
30	YNFG12006	NUT FLANGE, 3/8 GF	8
31	YNHX16005	NUT HEX, 1/2-13 NA A ZC	4
32	YNFG16003	NUT FLANGE, 1/2 GF	4
33	YBFB08250	BOLT FLANGE, 1/4 X 2-1/2	2
34	YNFG08010	NUT FLANGE, 1/4	2
35	89985	HYDRAULIC HOSE, 10, 52IN	1
36	89988	HYDRAULIC HOSE, 10, 62IN	1
37	78105	HYDRAULIC MOTOR	1
38	92905	FITTING 45, 10JIC, 10JIC	1





FIGURE 35
CONVENTIONAL SWINGING INTAKE AUGER OPTION
(GMOCSIA)

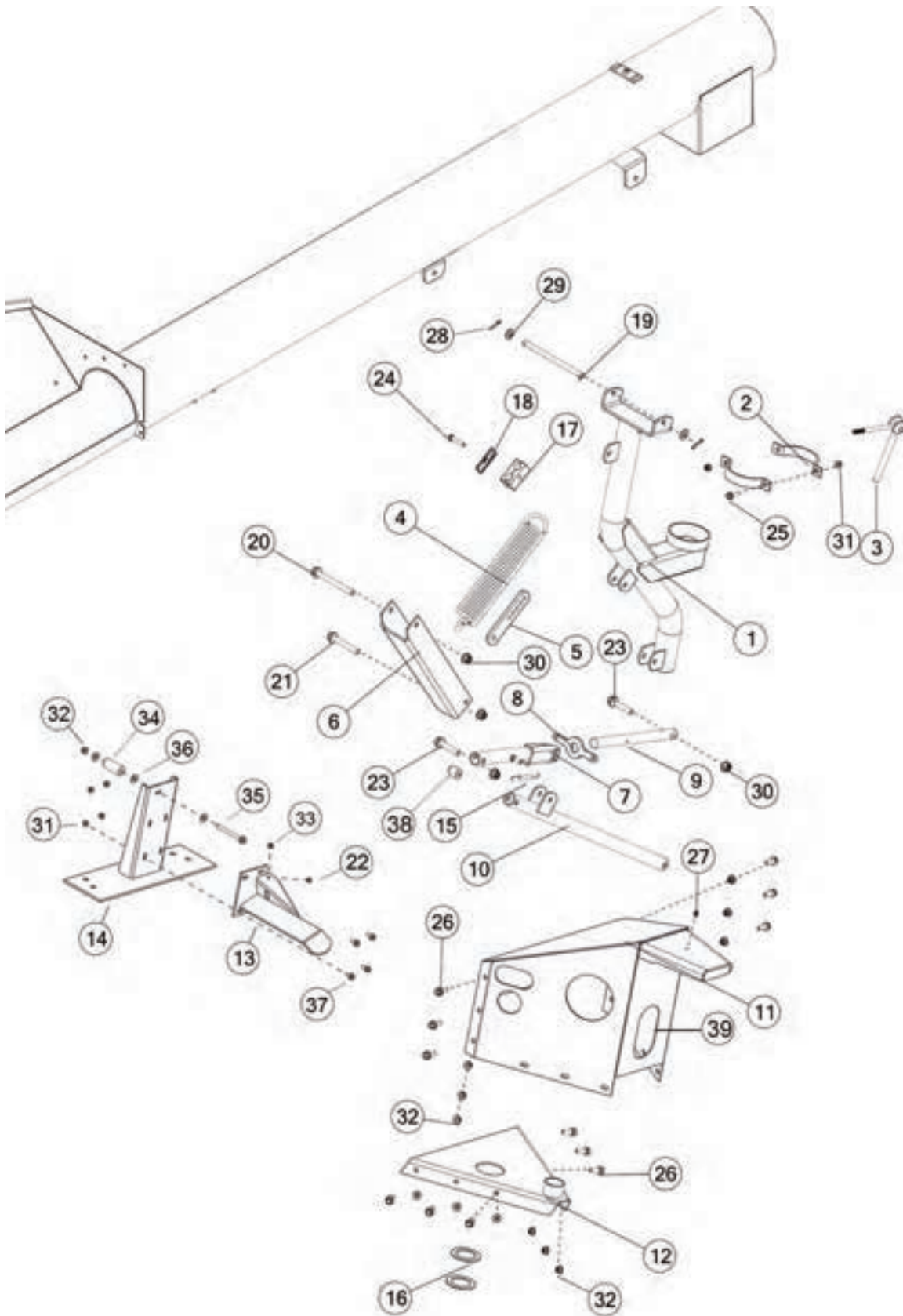


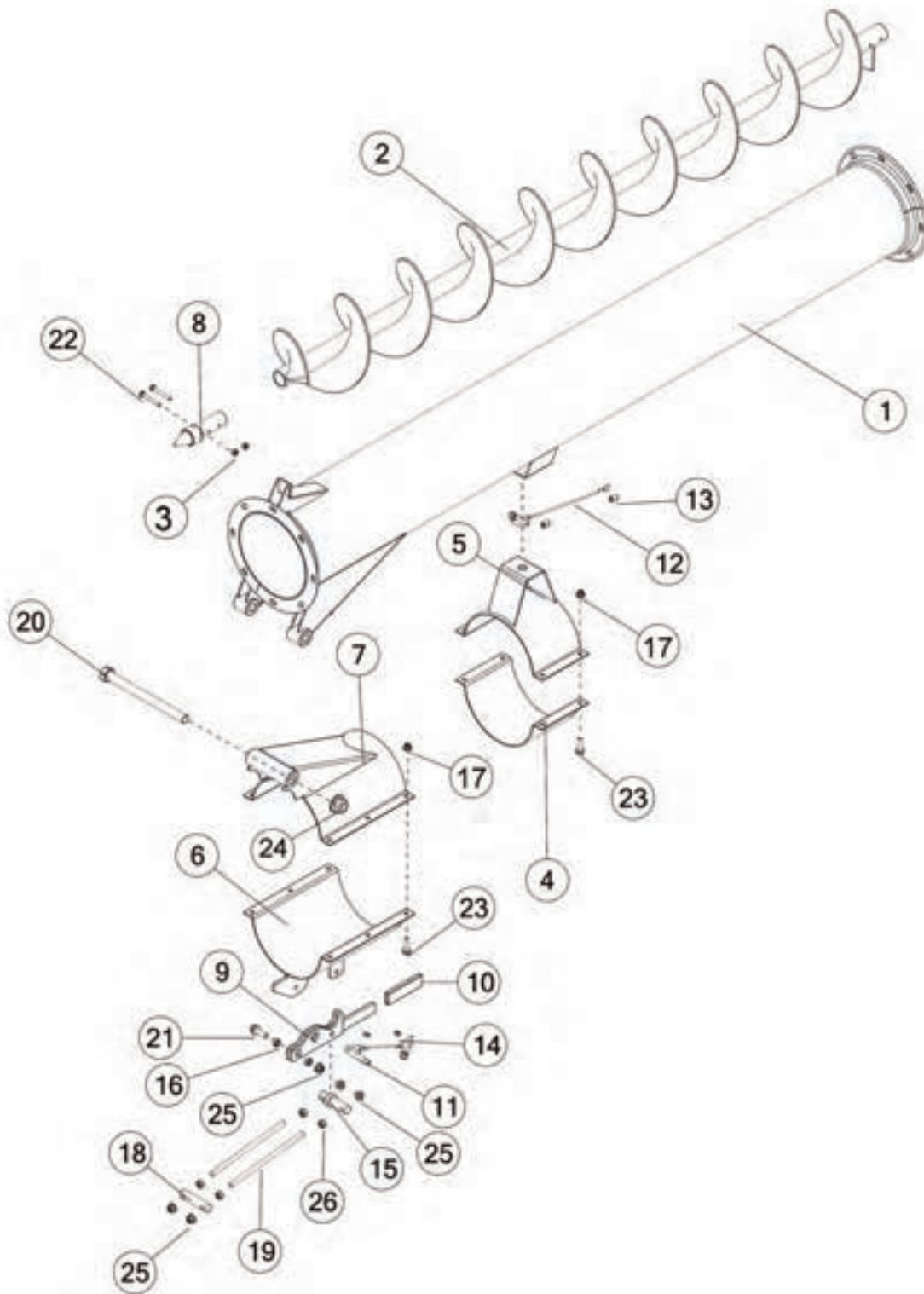


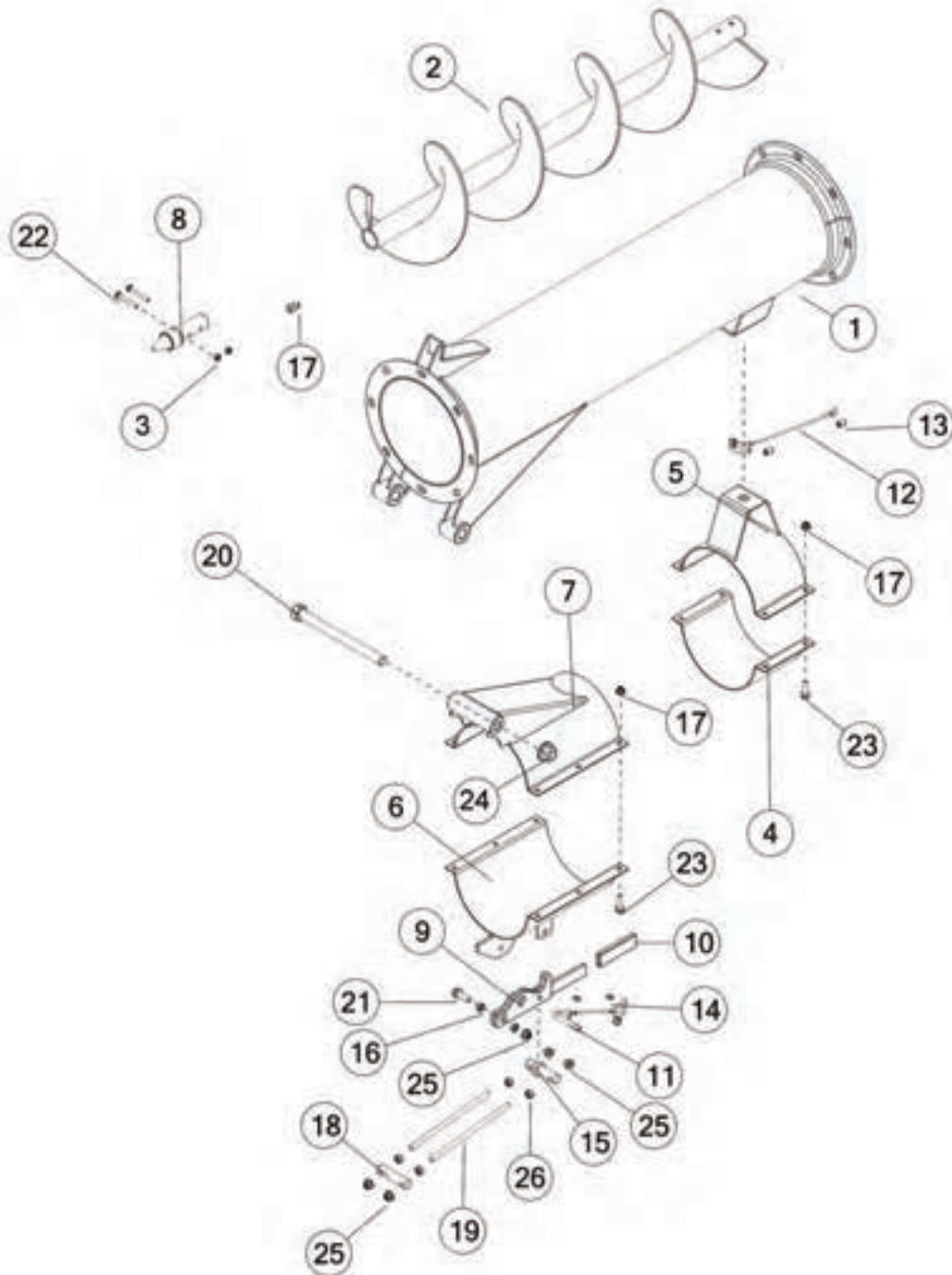
FIGURE 35

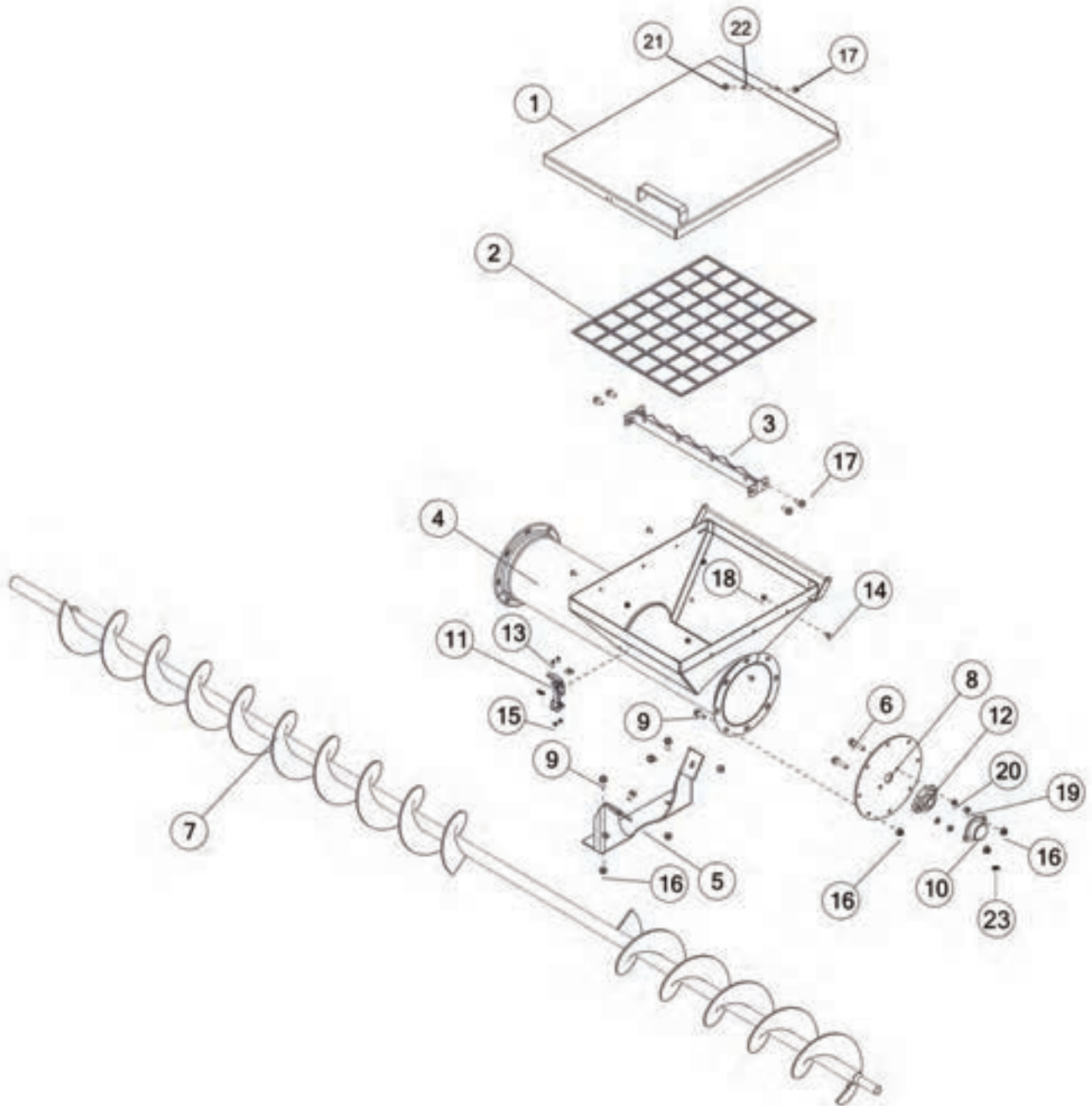
CONVENTIONAL SWINGING INTAKE AUGER OPTION (GMOCSIA)

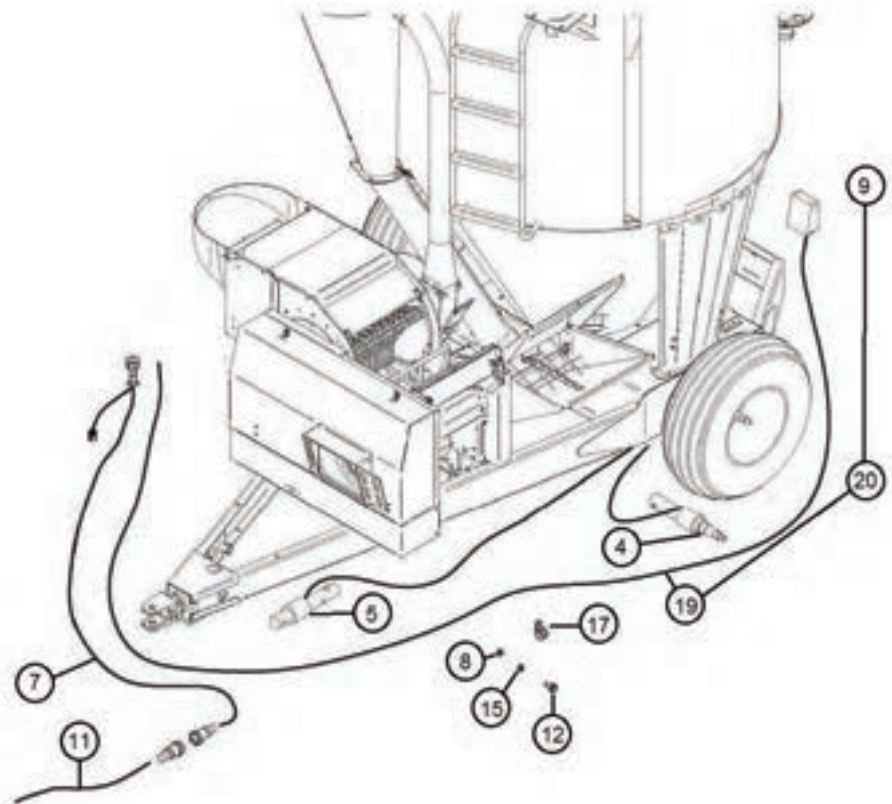
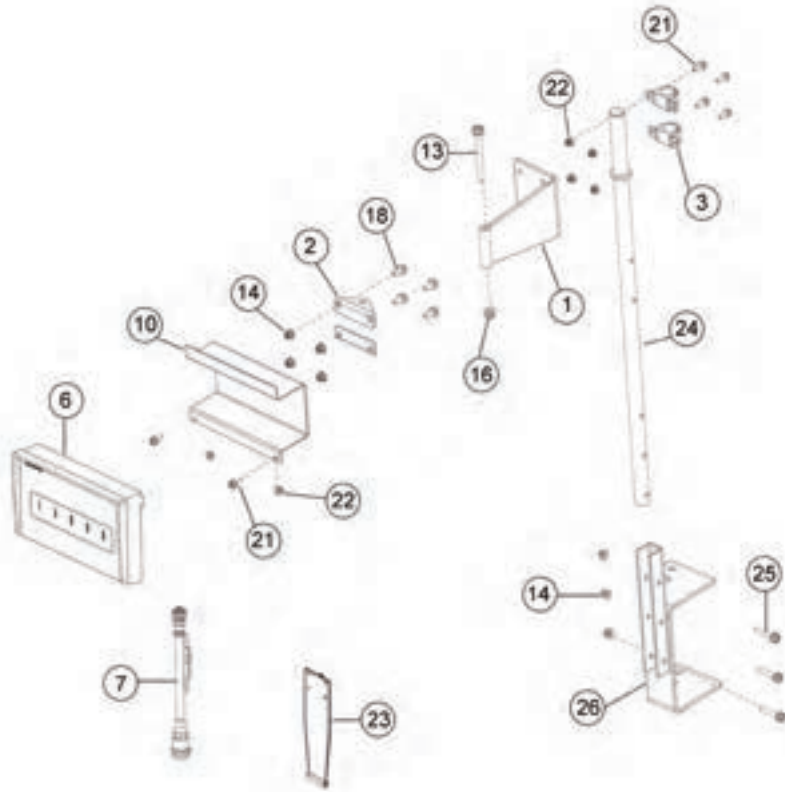
REF #	PART #	DESCRIPTION	QTY
1	GM212	TUBE TROUGH PIVOT	1
2	GM213	BRAKE BAND	2
3	GM217	TIGHTENER ASSY	1
4	GM204	SPRING	1
5	GM206	SPRING ADJUSTMENT	1
6	GM203	SEGMENT LIFT SUPPORT	1
7	GM209	TUBE LIFT ASSY	1
8	GM210	AUGER LIFT LOCK	2
9	GM211	SHAFT LIFT	1
10	GM207	PIVOT LINKAGE	1
11	90998	PIVOT SUPPORT TOP	1
12	91003	SUPPORT PIVOT LOWER	1
13	90693	INFEED SUPPORT BRACKET	1
14	95643	VERTICAL SUPPORT	1
15	GM208	LATCH SPRING	1
16	GM219	PIVOT WASHER	2
17	86579	HOSE CLAMP, DOUBLE, 5/8 (SET OF 2)	2
18	86581	HOSE CLAMP COVER	2
19	GM458	PIVOT PIN (065461)	1
20	YBFB16500	BOLT FLANGE, 1/2 X 5 G5	1
21	YBFB16400	BOLT FLANGE, 1/2 X 4 G5	1
22	YBFB08075	BOLT FLANGE, 1/4 X 3/4 G5	1
23	YBFB16250	BOLT FLANGE, 1/2 X 2-1/2 G5	1
24	YBFB10200	BOLT FLANGE, 5/16 X 2 G5	2
25	YBFB10125	BOLT FLANGE, 5/16 X 1-1/4 G5	1
26	YBFB12003	BOLT FLANGE, 3/8 X 1 G5	2
27	RG51	ZERK, 90 DEGREE 1/4-28	11
28	YPCT06002	COTTER PIN, 3/16 X 1	1
29	YWFL16010	WASHER FLAT, SAE 1/2	2
30	YNFG16003	NUT FLANGE, 1/2 GF	2
31	YNFG10005	NUT FLANGE, 5/16 GF	4
32	YNFG12006	NUT FLANGE, 3/8 GF	4
33	YNFG08010	NUT FLANGE, 1/4 GF	11
34	90244	CYLINDER SPACER	1
35	YBFB12350	BOLT FLANGE, 3/8 X 3-1/2 G5	1
36	YWFL12005	FLAT WASHER, 3/8	1
37	YBFB10001	BOLT FLANGE, 5/16 X 1 G5	3
38	GM205	SPACER	5
39	93718	EDGING, 3 X 5.875	1

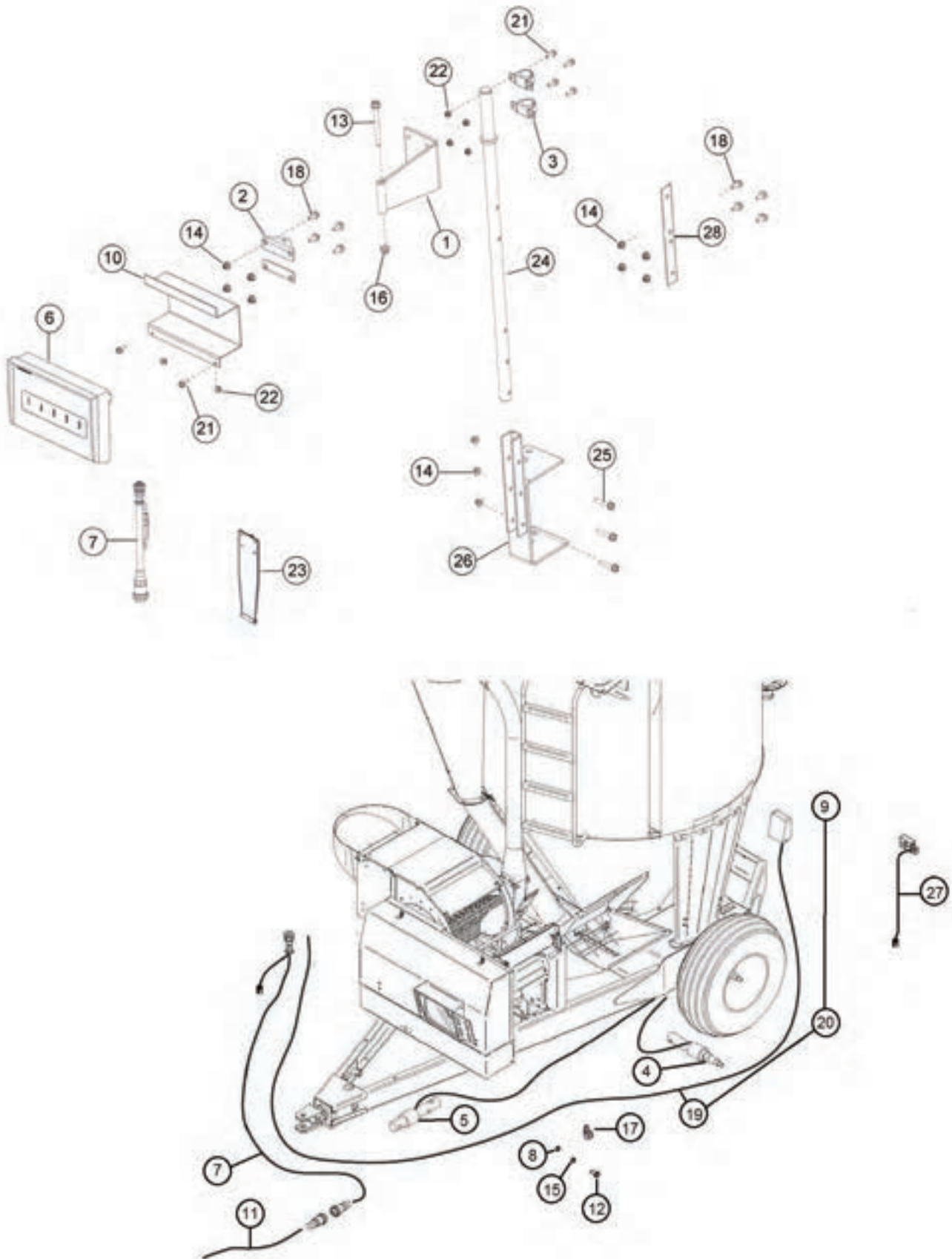


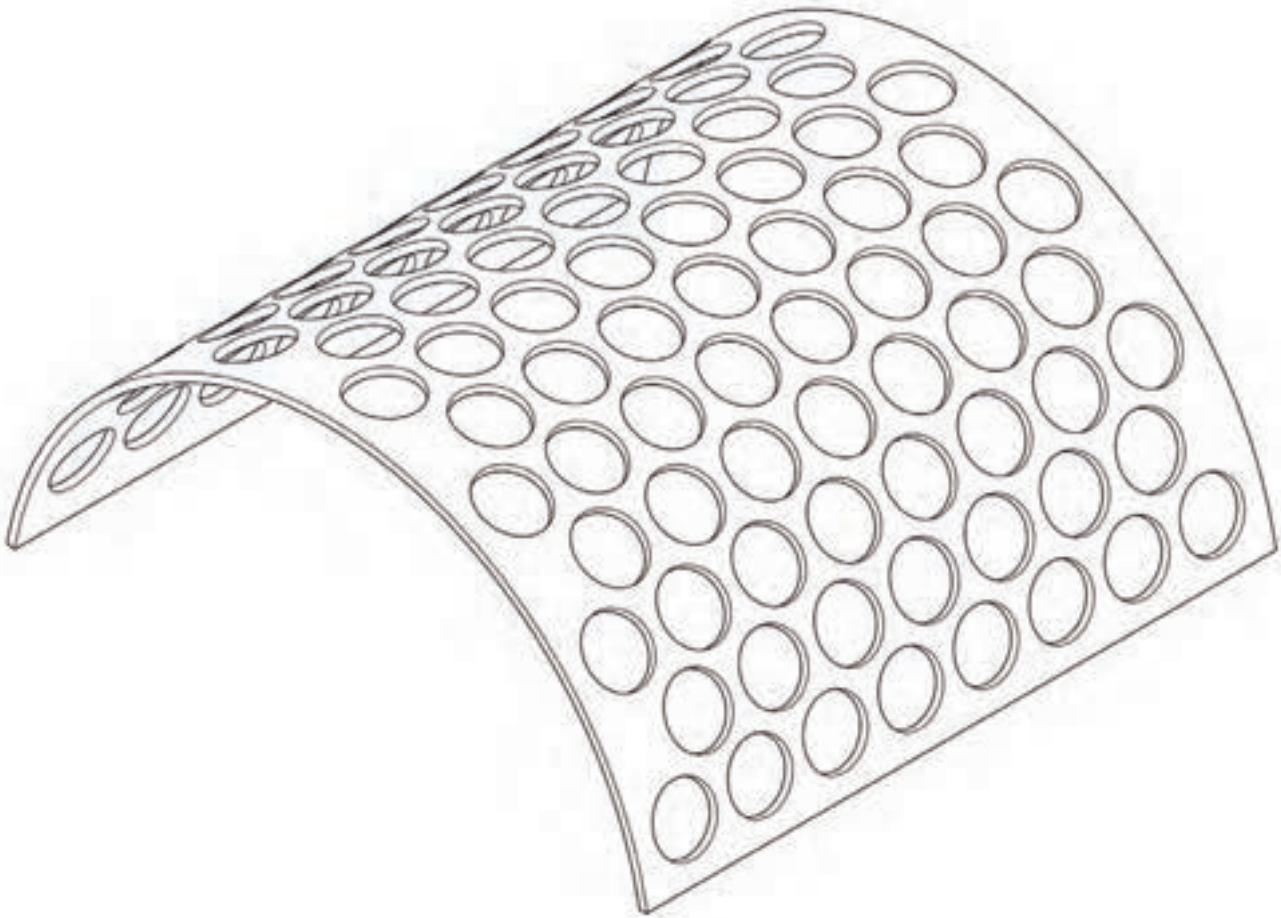












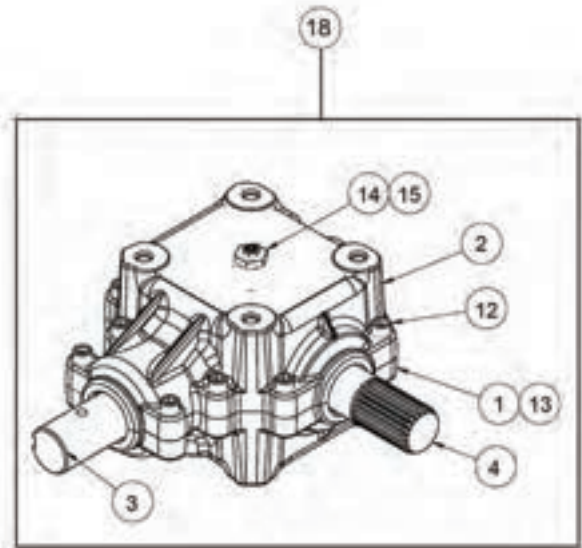
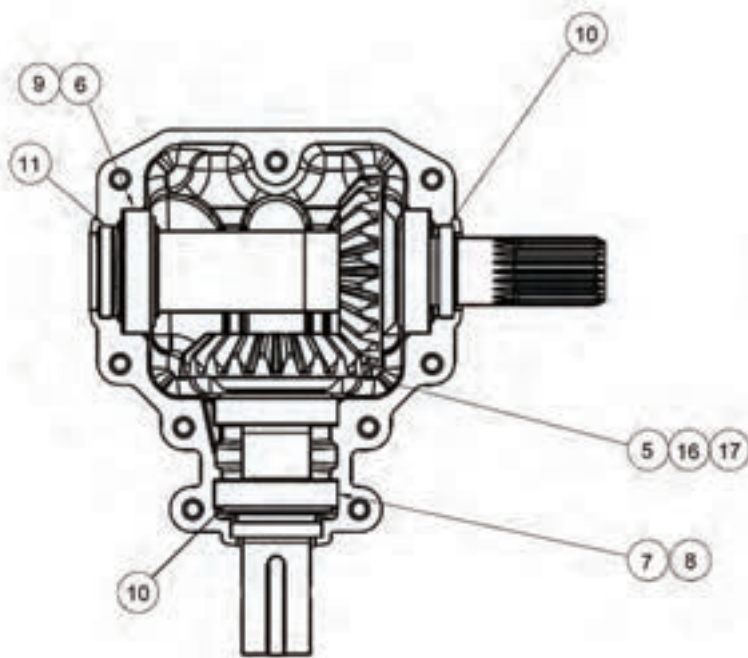
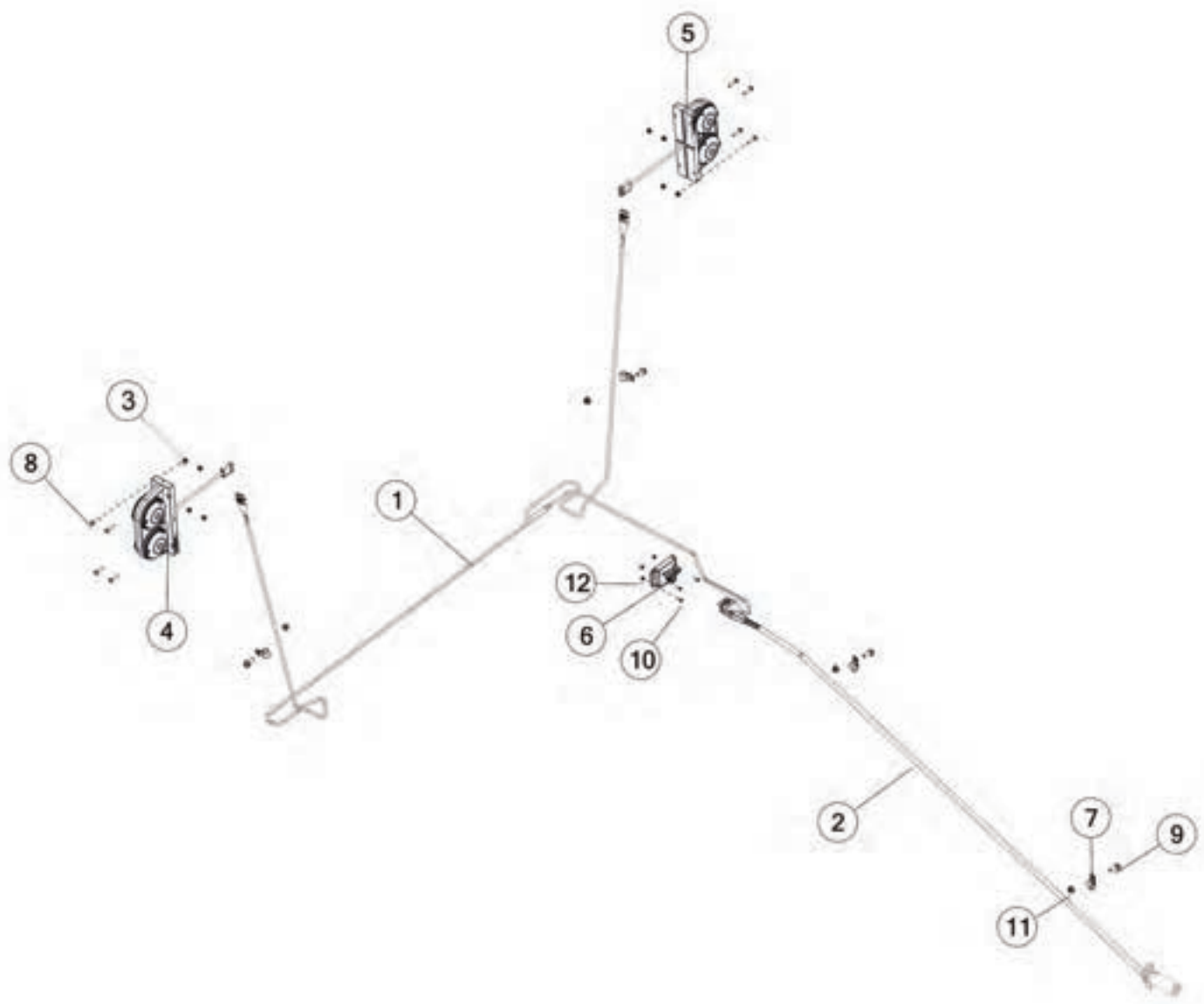
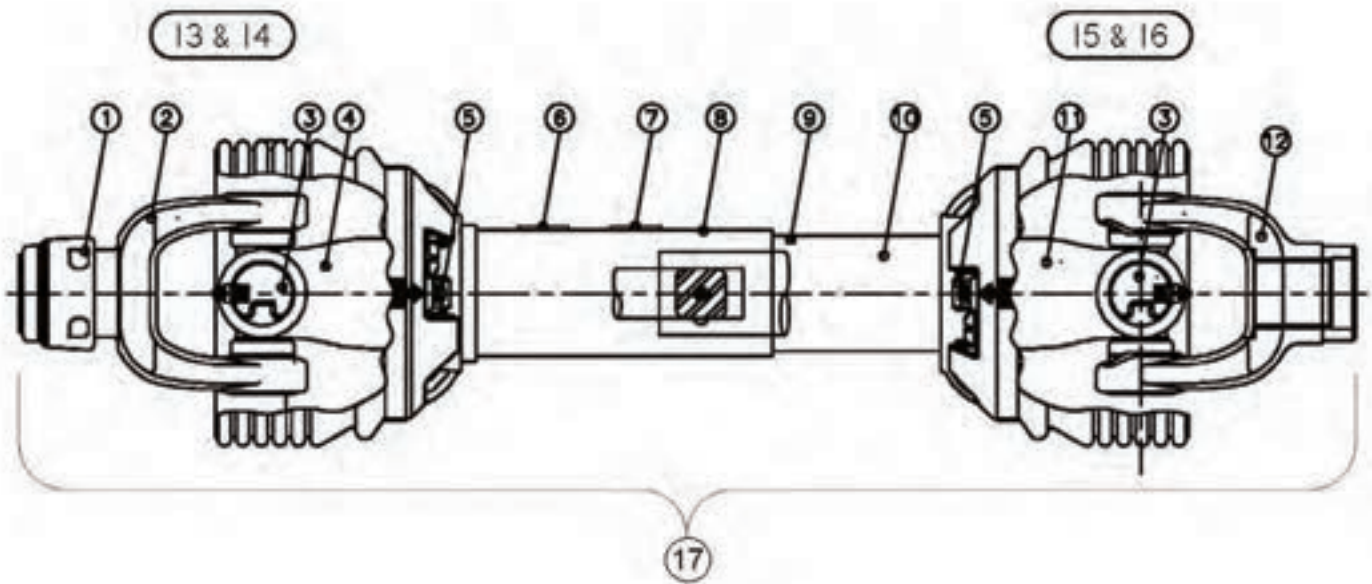


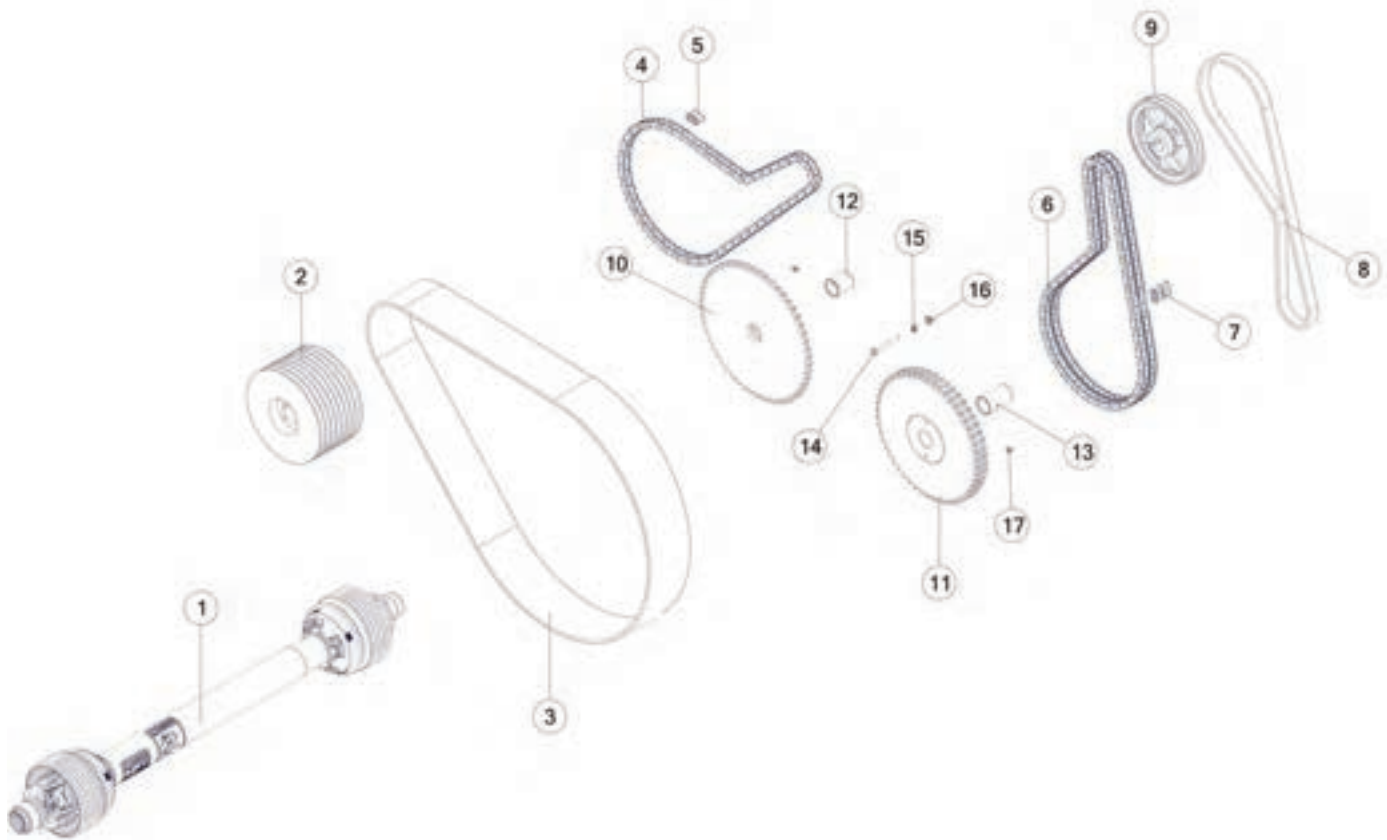


FIGURE 43

LIGHTS







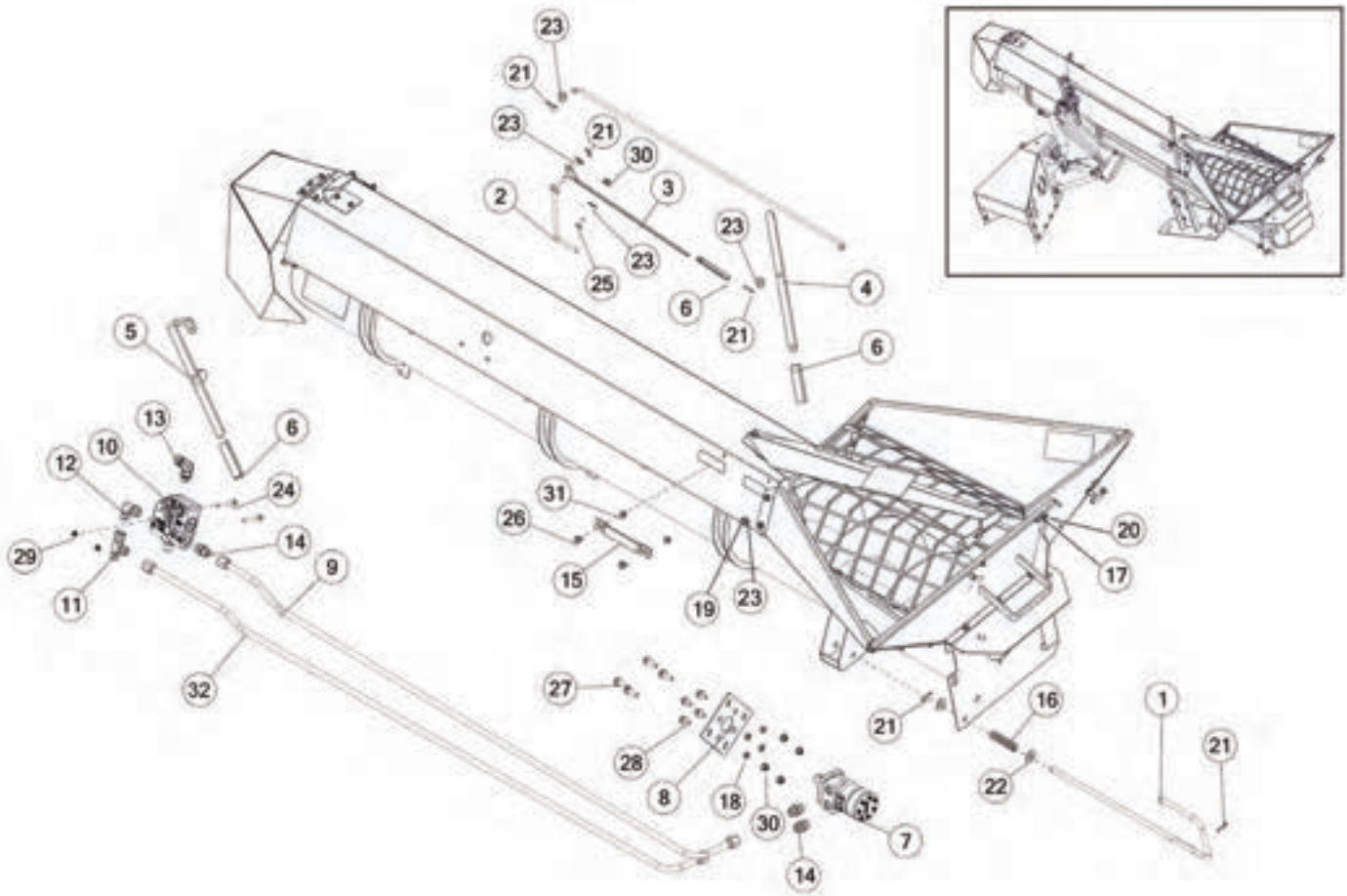
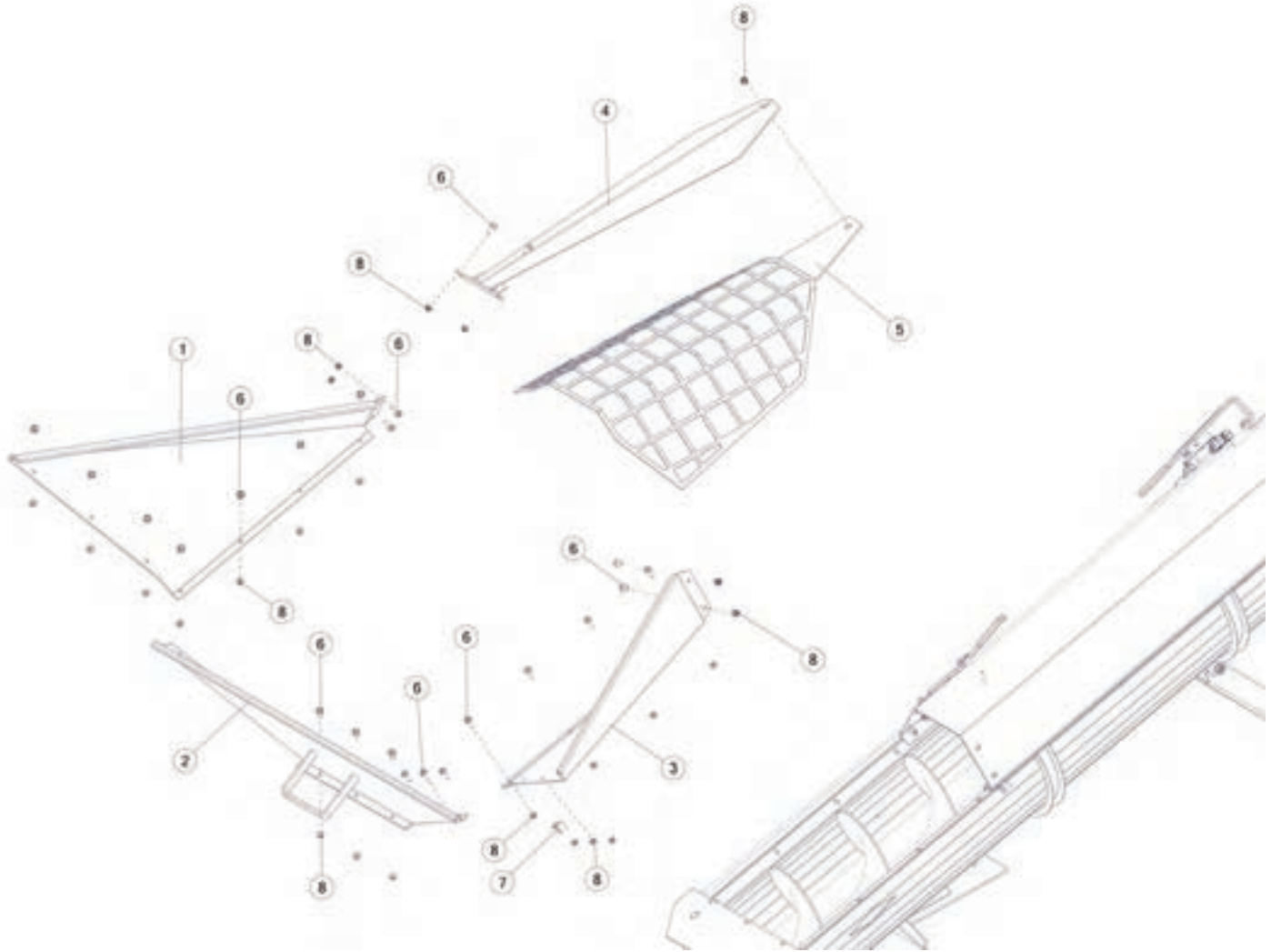




FIGURE 46
CORN COB STYLE INTAKE AUGER OPTION
(GMOSIA)



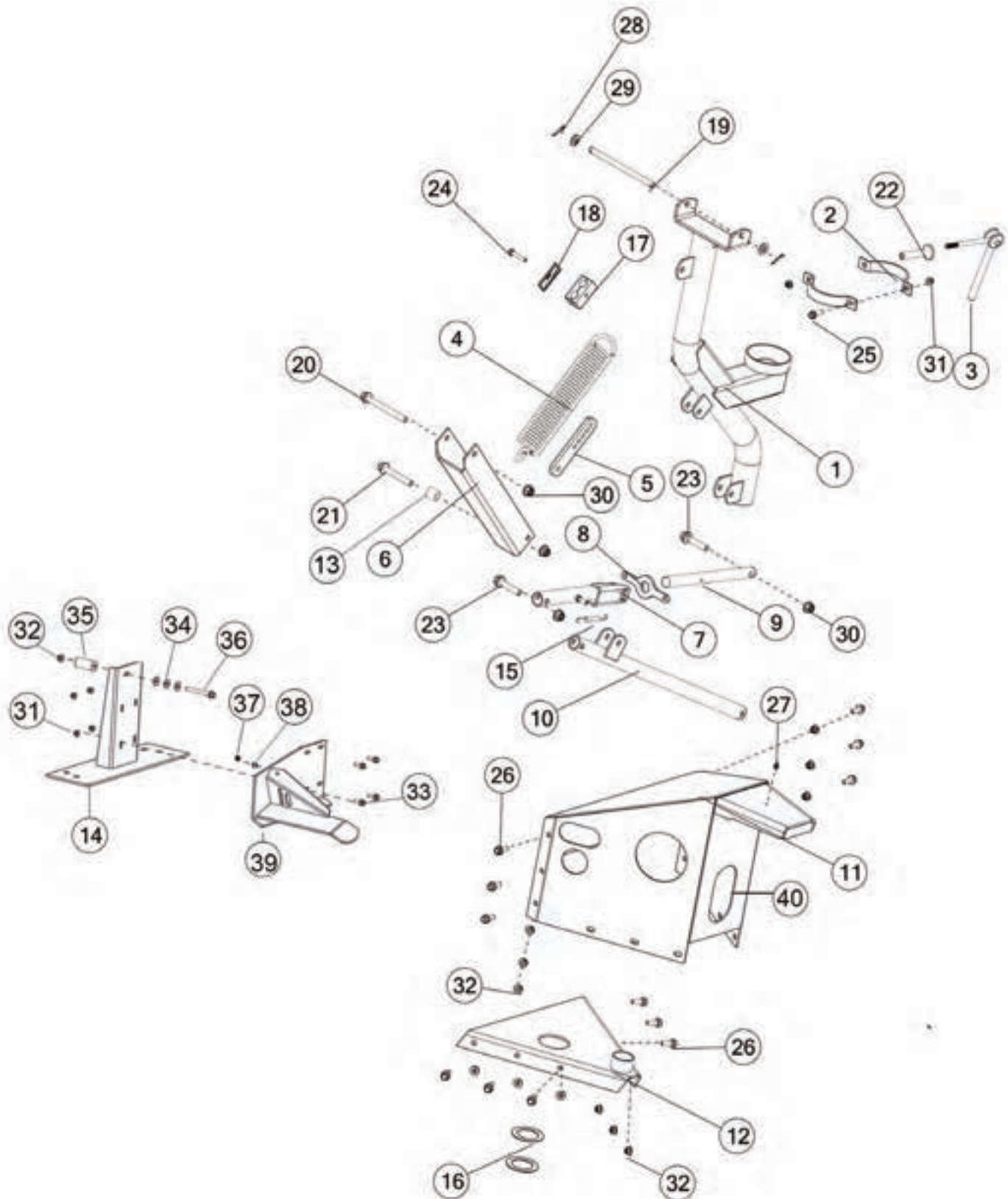


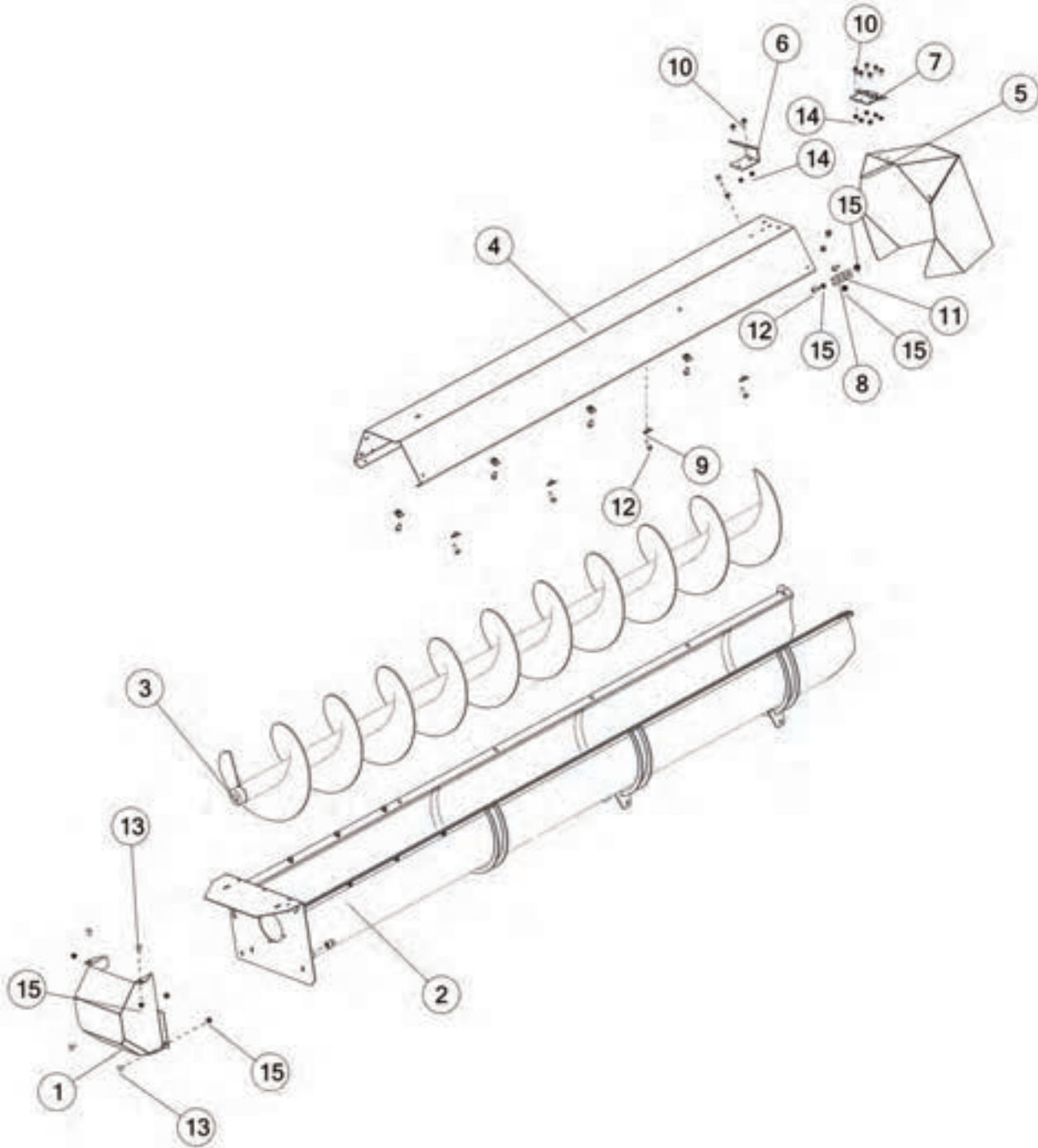


FIGURE 46

CORN COB STYLE INTAKE AUGER OPTION (GMOSIA)

REF #	PART #	DESCRIPTION	QTY
1	GM212	TUBE TROUGH PIVOT	1
2	GM213	BRAKE BAND	2
3	GM217	TIGHTENER ASSY	1
4	GM204	SPRING	1
5	GM206	SPRING ADJUSTMENT	1
6	GM203	SEGMENT LIFT SUPPORT	1
7	GM209	TUBE LIFT ASSY	1
8	GM210	AUGER LIFT LOCK	1
9	GM211	SHAFT LIFT	1
10	GM207	PIVOT LINKAGE	1
11	GM215	PIVOT SUPPORT TOP	1
12	GM214	SUPPORT PIVOT LOWER	1
13	GM205	SPACER	1
14	86568	VERTICAL SUPPORT	1
15	GM208	LATCH SPRING	1
16	GM219	PIVOT WASHER	2
17	86579	CLAMP CUSHION (SET OF 2)	2
18	86581	CLAMP TOP PLATE	2
19	GM458	PIVOT PIN	1
20	YBFB16500	BOLT FLANGE, 1/2 X 5 G5	1
21	YBFB16400	BOLT FLANGE, 1/2 X 4 G5	1
22	GM216	SPACER ASSY	1
23	YBFB16250	BOLT FLANGE, 1/2 X 2-1/2 G5	3
24	YBFB10200	BOLT FLANGE, 5/16 X 2 G5	2
25	YBFB10125	BOLT FLANGE, 1/2 X 1-1/4 G5	1
26	YBFB12003	BOLT FLANGE, 3/8 X 1 G5	2
27	RG51	ZERK, 90 DEGREE 1/4"-28	11
28	YPCT06002	COTTER PIN, 3/16 X 1	1
29	YWFL16010	WASHER, FLAT, SAE 1/2	2
30	YNFG16003	NUT FLANGE, 1/2 GF	2
31	YNFG10005	NUT FLANGE, 5/16 GF	4
32	YNFG12006	NUT FLANGE, 3/8 GF	1
33	YBFB10001	BOLT FLANGE, 5/16 X 1 G5	11
34	YWFL12005	WASHER FLAT, 3/8 G5	4
35	90244	CYLINDER SPACER, 2-1/2	3
36	YBFB12350	BOLT FLANGE, 3/8 X 3-1/2 G5	1
37	YNFG08010	NUT FLANGE, 1/4 GF	21
38	YBFB08075	BOLT FLANGE, 1/4 X 3/4 G5	1
39	90786	SUPPORT BRACKET, INFEED	1
40	93718	EDGING, 3 X 5.875	1









Manufactured By:

H&S MANUFACTURING CO., INC.

2608 S. HUME AVE. MARSHFIELD, WI 54449
(715) 387-3414 | hsmfgco.com

