

H&S

PARTS BOOK

9215 HI-DUMP



Revision #01
Starting Ser. #121HDB1512

HSMFG1120

Part #89763

Manufactured by
H&S MANUFACTURING CO., INC.
2608 S. HUME AVE. MARSHFIELD, WI 54449
(715) 387-3414 | hsmfgco.com



CONTENTS

Instructions for Ordering Parts - About Improvements	1
Figure 1 - Main Pole and Components	2-3
Figure 2 - Hub and Components.	4-5
Figure 3 - Hopper Elevator and Components	6-7
Figure 4 - Hydraulics and Components.	8-9
Figure 5 - Hopper Components.	10-11
Figure 6 - Lights.	12-13
Figure 7 - 18" Lip Extension Option.	14-15
Figure 8 - Weight Box Option	16-17
Figure 9 - Rear Tow Bar.	18-19
Figure 10 - Tire and Wheel Option	20-21
Parts Notes	22

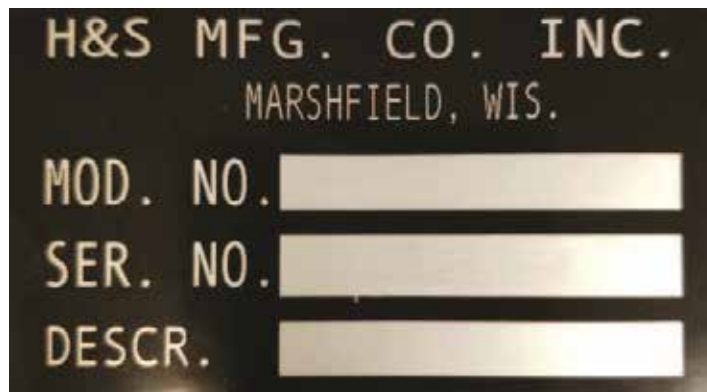
INSTRUCTIONS FOR ORDERING PARTS

All service parts should be ordered through your authorized H&S dealer. Your Dealership will be able to give you faster service if you will provide them with the following:

1. Model & Serial Number - Both can be located on the front of the main frame.
2. All references to left or right apply to the machine as viewed from the rear.
3. Parts should not be ordered from illustration only. Please order complete part number.
4. If your dealer has to order parts - give shipping instructions:

VIA truck - large pieces (please specify local truck lines)

VIA United Parcel Service (include full address)



H&S MFG. CO. INC.
MARSHFIELD, WIS.

MOD. NO.

SER. NO.

DESCR.

PLEASE RECORD NUMBERS FOR YOUR UNIT FOR QUICK REFERENCE

ABOUT IMPROVEMENTS

H&S IS CONTINUALLY STRIVING TO IMPROVE ITS PRODUCTS

We must, therefore, reserve the right to make improvements or changes whenever it becomes practical to do so, without incurring any obligation to make changes or additions to the equipment previously sold.

FIGURE 1 MAIN POLE AND COMPONENTS

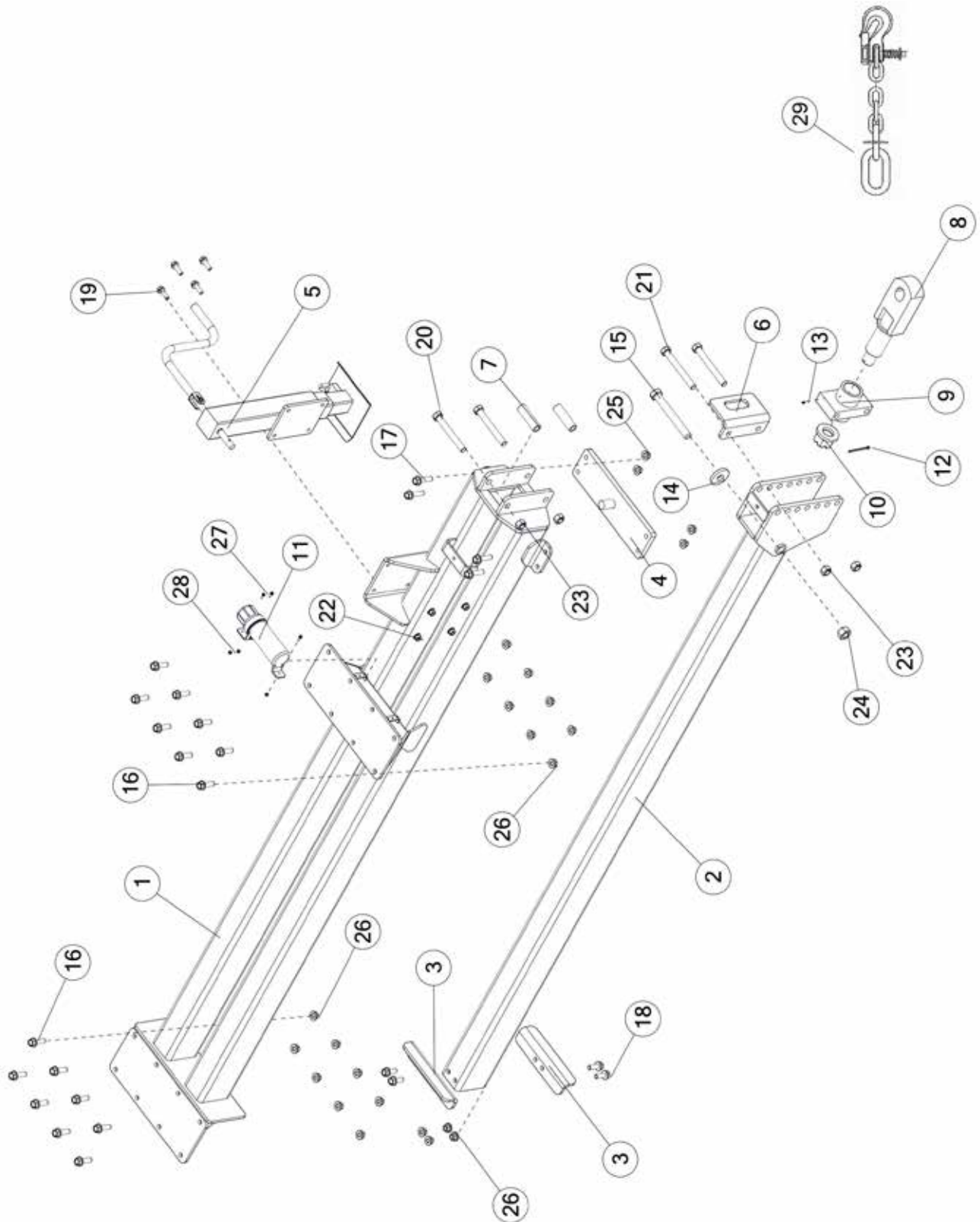


FIGURE 1

MAIN POLE AND COMPONENTS

<u>ITEM</u>	<u>QTY</u>	<u>PART#</u>	<u>DESCRIPTION</u>
1	1	88547B	MAIN POLE
2	1	88588	ADJUSTABLE POLE
3	2	88594	POLE SUPPORT
4	1	88618	ADJUSTMENT PLATE
5	1	88787	SIDE WIND JACK
6	1	88769	SAFETY CHAIN LOOP
7	2	88619	POLE SPACER
8	1	88695	CLEVIS HITCH, SINGLE
9	1	88691	HITCH PIVOT
10	1	88698	HITCH PIVOT NUT
11	1	S522	MANUAL HOLDER
12	1	YPCT10020	COTTER PIN, 5/16 X 4
13	1	G89	STRAIGHT ZERK, 1/4-28
14	1	88825	WASHER, FLAT, 1-1/4
15	1	YBHH40010	BOLT HEX, 1-1/4 X 10, G5
16	16	YBFB24250	BOLT FLANGE, 3/4 X 2-1/2 G5
17	4	YBFB24300	BOLT FLANGE, 3/4 X 3 G5
18	4	YBFB24200	BOLT FLANGE, 3/4 X 2 G5
19	4	YBFB20200	BOLT FLANGE, 5/8 X 2 G5
20	2	YBHH32036	BOLT HEX, 1 X 8 G5
21	2	YBHH32850	BOLT HEX, 1 X 8 1/2 G5
22	4	YNFG20005	NUT FLANGE, 5/8-11 LKTL F
23	2	YNL32005	NUT HEX, 1-8, LKTL C
24	1	YNHX36010	NUT HEX, 1-1/4-7 NAA
25	4	YNFG24006	NUT HEX, FLANGED, TOP LOCK, 3/4-10 GG
26	18	YNFG24006	NUT HEX, FLANGED, TOP LOCK, 3/4-10 GG
27	3	YBFB08075	BOLT FLANGE, 1/4 x 3/4 G5
28	3	YNFG08010	NUT FLANGE, 1/4
29	1	SC60000	60000 SAFETY CHAIN (OPTIONAL)

FIGURE 2 HUB AND COMPONENTS

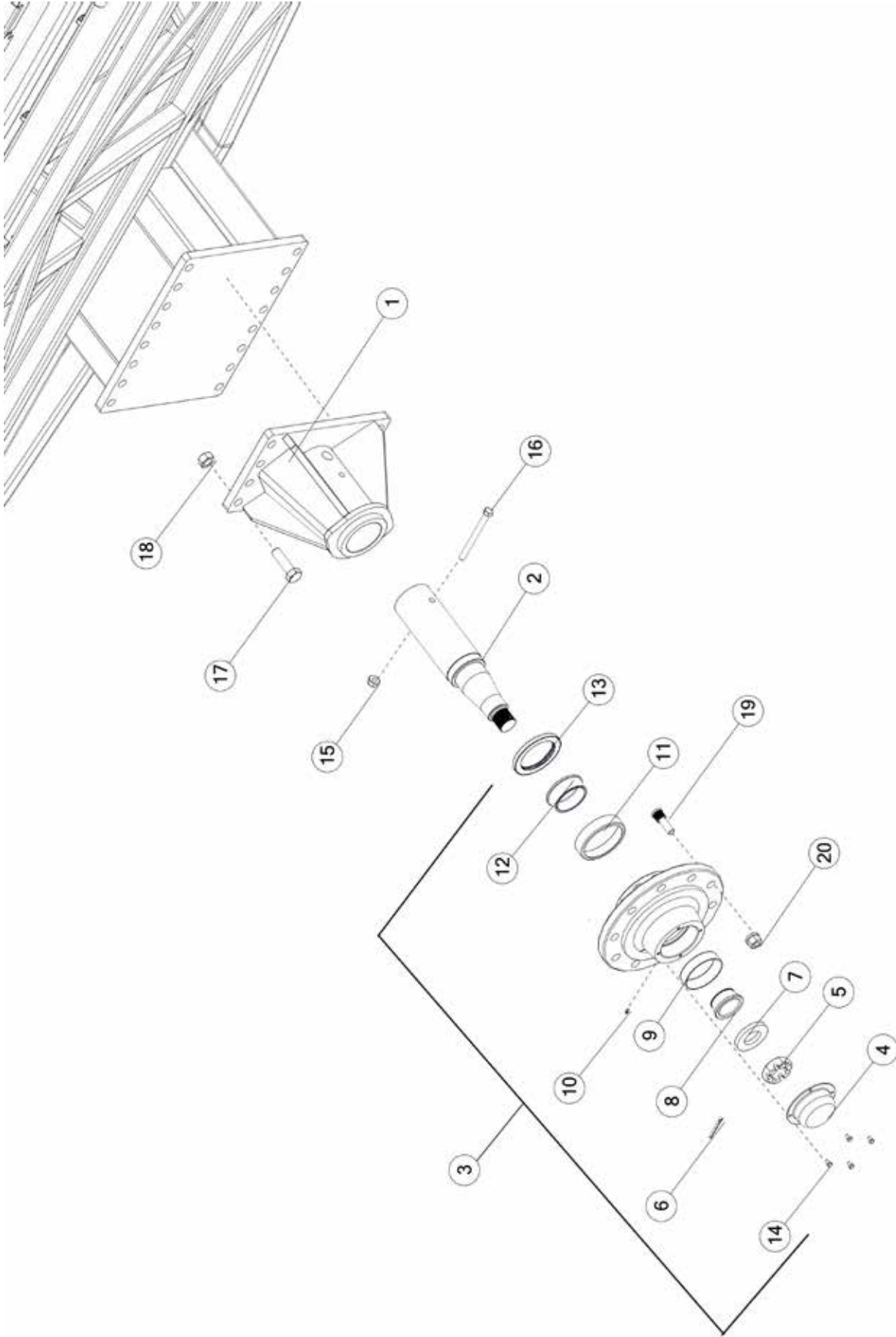


FIGURE 2

HUB AND COMPONENTS

<u>ITEM</u>	<u>QTY</u>	<u>PART#</u>	<u>DESCRIPTION</u>
1	1	88700	SPINDLE RECEIVER
2	1	88905	SPINDLE
3	1	88906	HUB
4	1	TS393	HUB CAP
5	1	YNSL44005	NUT SLOT, 2-12 NA G2 NF
6	1	YPCT08010	COTTER PIN, 1/4 X 2-1/2
7	1	88697	WASHER, SWIVEL NUT
8	1	TS391	OUTER BEARING
9	1	TS390	OUTER RACE
10	1	G89	STRAIGHT ZERK, 1/4-28
11	1	TS389	INNER RACE
12	1	TS388	INNER BEARING
13	1	TS387	GREASE SEAL
14	4	YBHH10020	BOLT HEX, 5/16 X 1/2 G5
15	1	YNFG20005	NUT FLANGE, 5/8-11 LKTL F
16	1	YBHH20105	BOLT HEX, 5/8-11 X 7 G5
17	8	YBHH32010	BOLT HEX, 1-8 X 3-1/2 G5
18	8	YNL32005	NUT HEX, 1-8 LKTL C
19	10	YBSD24292	BOLT STUD, 3/4 X 3
20	10	YNWL24010	NUT FLANGE, 3/4 G5

FIGURE 3 **HOPPER ELEVATOR AND COMPONENTS**

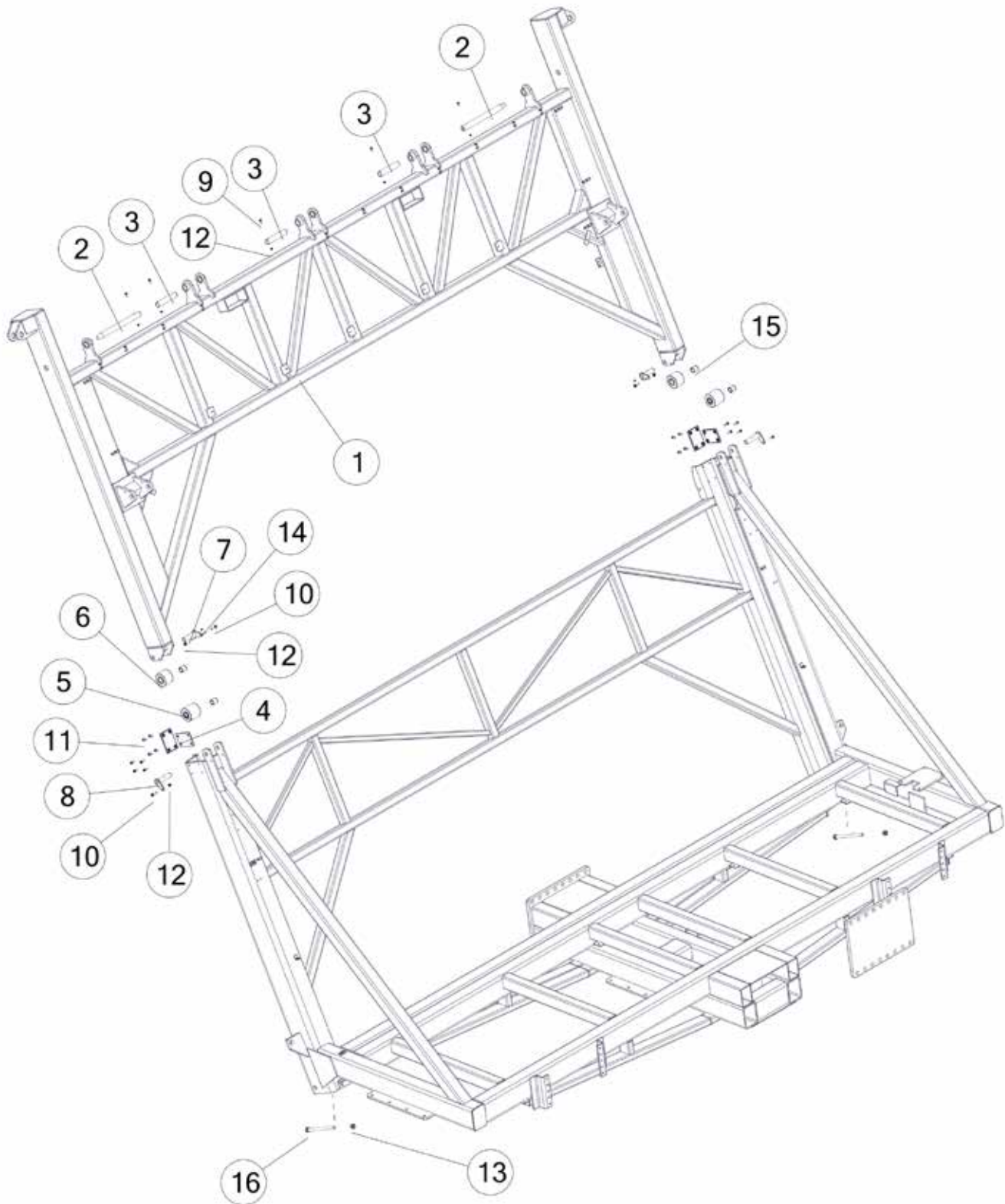
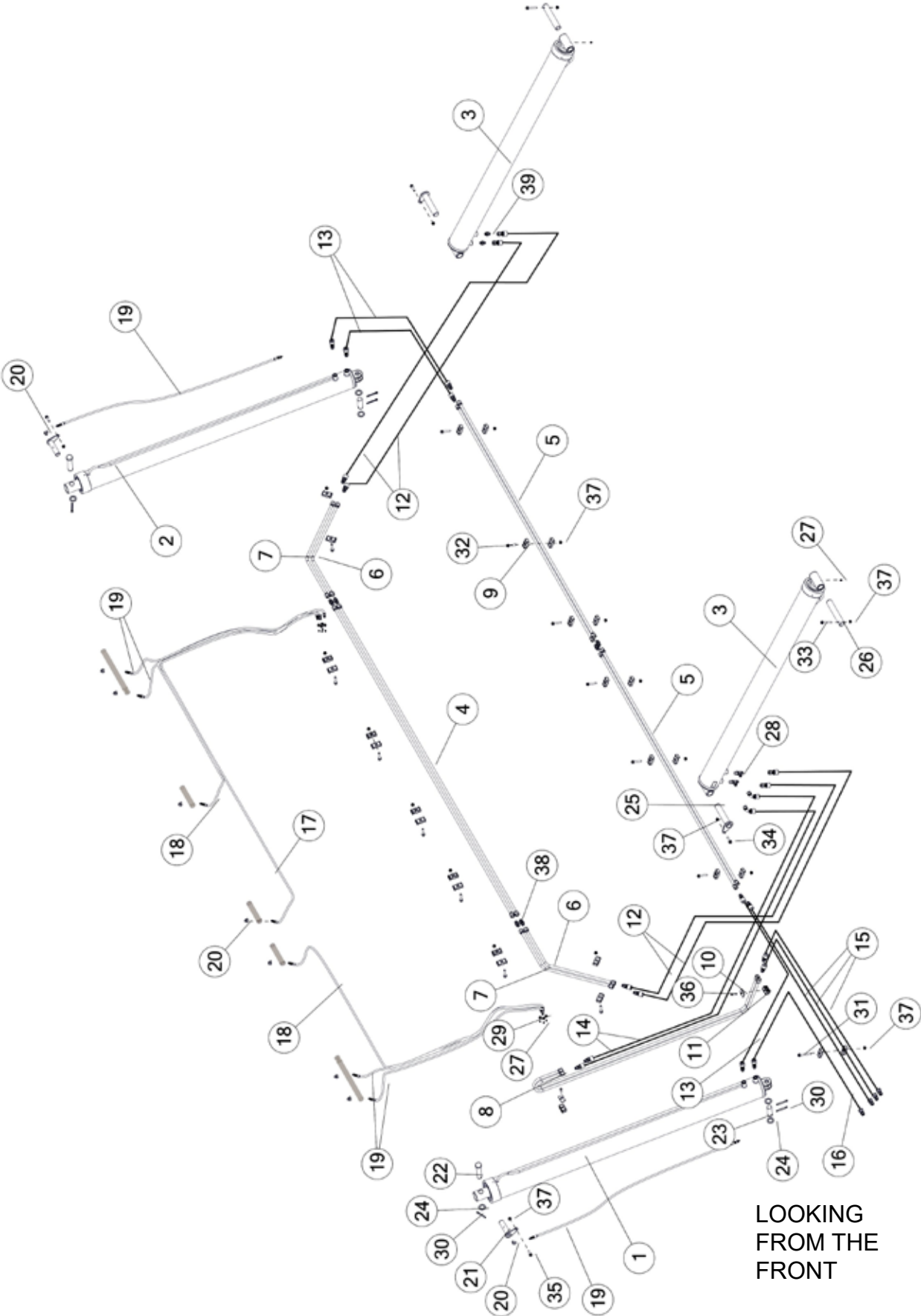


FIGURE 3
HOPPER ELEVATOR AND COMPONENTS

<u>ITEM</u>	<u>QTY</u>	<u>PART#</u>	<u>DESCRIPTION</u>
1	1	88397	ELEVATOR
2	2	88568	HOPPER PIVOT PIN, LONG
3	3	88567	HOPPER PIVOT PIN, SHORT
4	6	88662	ELEVATOR WEAR PAD
5	2	88659	UPPER ROLLER ASSEMBLY
6	2	88661	LOWER ROLLER ASSEMBLY
7	2	88561	ROLLER PIN, LOWER
8	2	88563	ROLLER PIN, UPPER
9	5	YBFB10075	BOLT FLANGE, 5/16 X 3/4 G5
10	4	YBFB12150	BOLT FLANGE, 3/8 X 1-1/2 G5
11	16	YBFB10001	BOLT FLANGE, 5/16 X 1 G5
12	9	YNFG12006	NUT FLANGE, 3/8 GF
13	2	YNTL24005	NUT HEX, 3/4
14	2	G89	STRAIGHT ZERK, 1/4-28
15	4	G16	BUSHING, BRONZE
16	2	YBHH24140	BOLT HEX, 3/4 x 12 G5

FIGURE 4 HYDRAULICS AND COMPONENTS



LOOKING FROM THE FRONT

FIGURE 4

HYDRAULICS AND COMPONENTS

<u>ITEM</u>	<u>QTY</u>	<u>PART#</u>	<u>DESCRIPTION</u>
1	1	88423	HYDRAULIC CYLINDER, 5-1/2 X 72
*	1	89037	SEAL KIT
2	1	88424	HYDRAULIC CYLINDER 4-3/4 X 72
*	1	89038	SEAL KIT
3	2	88425	HYDRAULIC CYLINDER, 5 X 71-1/4
*	1	89039	SEAL KIT
4	2	88529	HYDRAULIC TUBE, 5/8 X 119
5	4	88525	HYDRAULIC TUBE, 5/8 X 90
6	2	88742	HYDRAULIC TUBE
7	2	88740	HYDRAULIC TUBE
8	2	88738	HYDRAULIC TUBE
9	28	86567	DOUBLE CLAMP, UNIVERSAL
10	2	56563	CLAMP TOP PLATE
11	2	82667	HOSE CLAMP, DOUBLE, 5/8" TUBE
12	4	88881	HYDRAULIC HOSE, 8, 19-1/4
13	3	88556	HYDRAULIC HOSE, 8, 45-3/4
14	2	88919	HYDRAULIC HOSE, 8, 98-1/2
15	3	88918	HYDRAULIC HOSE, 8, 195
16	1	88916	HYDRAULIC HOSE, 8, 208
17	1	88889	GREASE HOSE, 3 X 157 1/4
18	2	88907	GREASE HOSE, 3 X 111
19	4	88909	GREASE HOSE, 3 X 66
20	8	89726	FITTING, 90, 1/8NPT, 1/8NPSM
21	2	88563	ROLLER PIN, UPPER
22	2	88560	CYLINDER PIN, UPPER LIFT
23	2	88559	CYLINDER PIN, LOWER LIFT
24	6	YWFL36005	WASHER, FLAT, SAE 1-1/4
25	2	88549	CYLINDER PIN, TILT
26	2	88631	HOPPER TILT PIN
27	9	G89	STRAIGHT ZERK, 1/4-28
28	2	77465	FITTING, T, 8 JIC, 8 ORB, 8 JIC, STL
29	7	YNJM04005	NUT JAM, 1/8
30	3	YPCT10005	COTTER PIN, 5/16 X 2-1/2
31	1	YBFB12350	BOLT FLANGE, 3/8 X 3-1/2 G5
32	13	YBFB12250	BOLT FLANGE, 3/8 X 2-1/2 G5
33	2	YBFB12300	BOLT FLANGE, 3/8 X 3 G5
34	2	YBFB12175	BOLT FLANGE, 3/8 X 1-3/4 G5
35	2	YBFB12150	BOLT FLABGE, 3/8 X 1-1/2 G5
36	2	56568	CLAMP BOLT 5/16-18 x 1-3/8
37	20	YNFG12006	NUT FLANGE, 3/8 GF
38	6	83779	FITTING ST, 10 JIC, 10 JIC
39	2	TS137	FITTING, ST, 8JIC, 8ORB, STL

* MEANS NOT SHOWN

FIGURE 5 **HOPPER AND COMPONENTS**

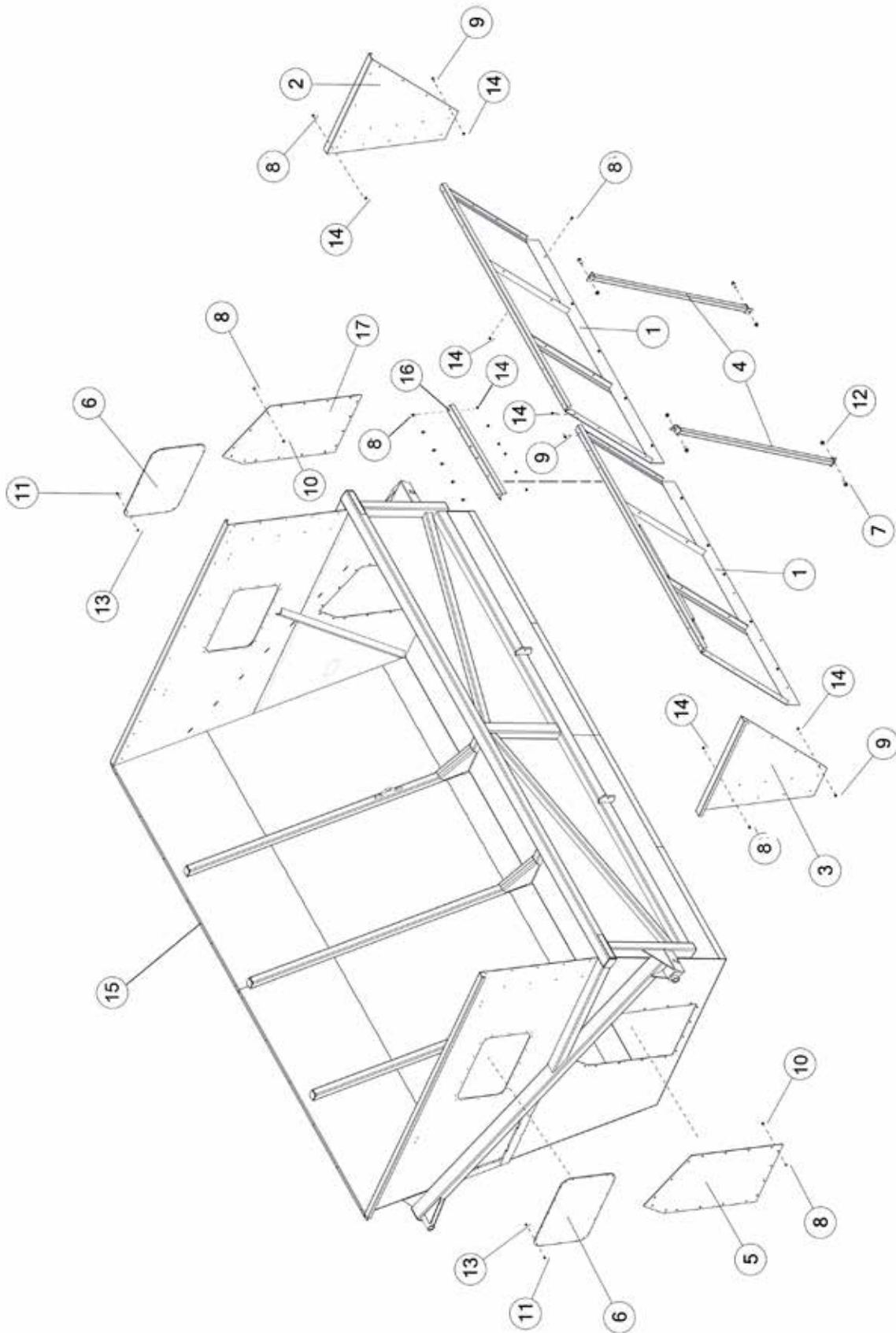


FIGURE 5

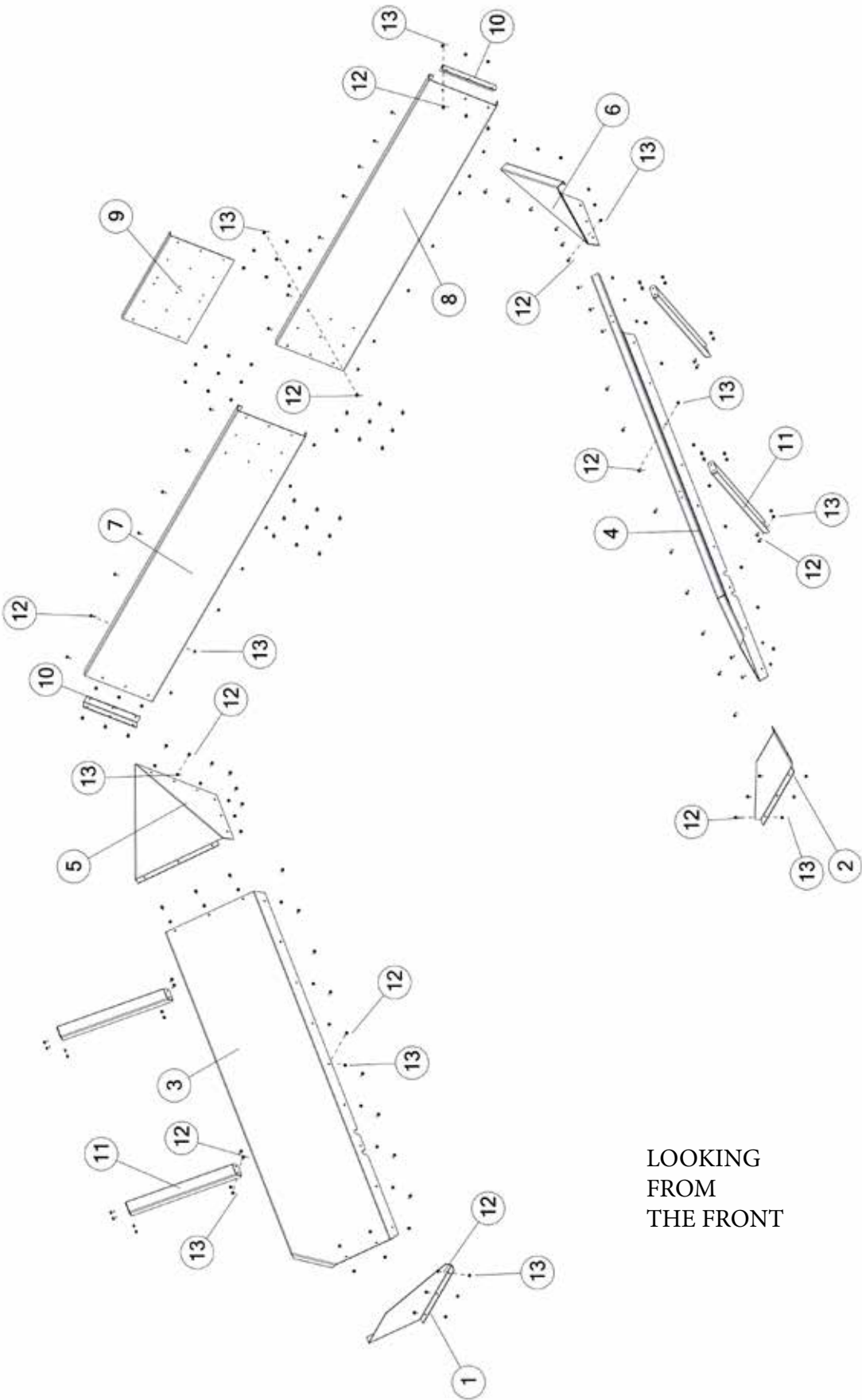
HOPPER AND COMPONENTS

<u>ITEM</u>	<u>QTY</u>	<u>PART#</u>	<u>DESCRIPTION</u>
1	2	88640	HOPPER UPPER PANEL, NON DUMP SIDE
2	1	88635	REAR UPPER EXTENSION PANEL
3	1	88636	FRONT UPPER EXTENSION PANEL
4	2	88642	EXTENSION BRACE
5	1	90012	ACCESS HOLE COVER, FRONT
6	2	55839	WINDOW WITH HOLES
7	4	YBFB16150	BOLT FLANGE, 1/2 X 1-1/2 G5
8	70	YBFB10075	BOLT FLANGE, 5/16 X 3/4 GR5
9	30	YBFB10001	BOLT FLANGE, 5/16 X 1 G5
10	34	84124	U NUT, 6/15-18, .15 X .562
11	40	YBFB08075	BOLT FLANGE, 1/4 X 3/4 G5
12	4	YNFG16003	NUT FLANGE, 1/2 GF
13	40	YNFG08010	NUT FLANGE, 1/4 GF
14	48	YNFG10005	NUT FLANGE, 5/16 GF
15	1	88536B	HI DUMP HOPPER WITH DECALS
16	1	89825	BACKSTOP PANEL BRACE
17	1	90013	ACCESS PANEL, REAR

FIGURE 6 LIGHTS

<u>ITEM</u>	<u>QTY</u>	<u>PART#</u>	<u>DESCRIPTION</u>
1	1	90106	MAIN LIGHT MOUNT BRACKET
2	1	90118B	LIGHT BAR, LH
3	1	90114B	LIGHT BAR, RH
4	1	TFM72	TAIL LIGHT ASSY, RIGHT
5	1	TFM71	TAIL LIGHT ASSY, LEFT
6	1	88744	HOSE HOLDER
7	1	F97	SMV BRACKET
8	1	88794	ELECTRIC HARNESS, REAR LIGHT
9	1	S540	LIGHT HARNESS, FRONT
10	1	CHM38	PLUG STORAGE
11	1	TLPC	TRANSPORT LIGHT CORD
12	2	90116	SPACER
13	4	YBFB16300	BOLT FLANGE, 1/2 X 3 G5
14	4	YBFB16175	BOLT FLANGE, 1/2 X 1-3/4 G5
15	8	YBFB08100	BOLT FLANGE, 1/4-20 X 1 GR 5
16	2	YBCR10030	BOLT CARRIAGE, 5/16-18 X 3/4 G5 ZC
17	2	YBFB08100	BOLT FLANGE, 1/4 X 1 G5
18	2	YBFB08075	BOLT FLANGE, 1/4 X 3/4 G5
19	1	YBFB16150	BOLT FLANGE, 1/2 X 1-1/2 G5
20	2	YNFG10005	NUT FLANGE, 5/16 GF
21	9	YNFG16003	NUT FLANGE, 1/2 GF
22	12	YNFG08010	NUT FLANGE, 1/4 GF
23	1	8621	4 POLE TRAILER SOCKET
24	3	YSPN64005	SCREW PAN HEAD, #10-24 X 5/8
25	3	YNNY64005	NUT HEX, NYLON INSERT LOCKNUT, #10
26	1	69908	CONTROL BLINKER MODULE

FIGURE 7
18" LIP EXTENSION OPTION



LOOKING
FROM
THE FRONT

FIGURE 7
18" LIP EXTENSION OPTION

<u>ITEM</u>	<u>QTY</u>	<u>PART#</u>	<u>DESCRIPTION</u>
1	1	88729	FLARE EXTENSION SUPPORT, FRONT
2	1	88725	FLARE EXTENSION SUPPORT, REAR
3	1	88728	FLARE EXTENSION PANEL, FRONT
4	1	88724	FLARE EXTENSION PANEL, REAR
5	1	88730	CORNER FLARE EXTENSION, FRONT
6	1	88726	CORNER FLARE EXTENSION, REAR
7	1	88731	LIP EXTENSION PANEL, FRONT
8	1	88727	LIP EXTENSION PANEL, REAR
9	1	88733	CENTER LIP EXTENSION SUPPORT
10	2	88732	FLARE EXTENSION CORNER SUPPORT
11	4	88736	FLARE EXTENSION BRACE
12	100	YBCR10030	BOLT CARRIAGE, 5/16 X 3/4 G5
13	100	YNFG10005	NUT FLANGE, 5/16 GF

FIGURE 8 **WEIGHT BOX OPTION**

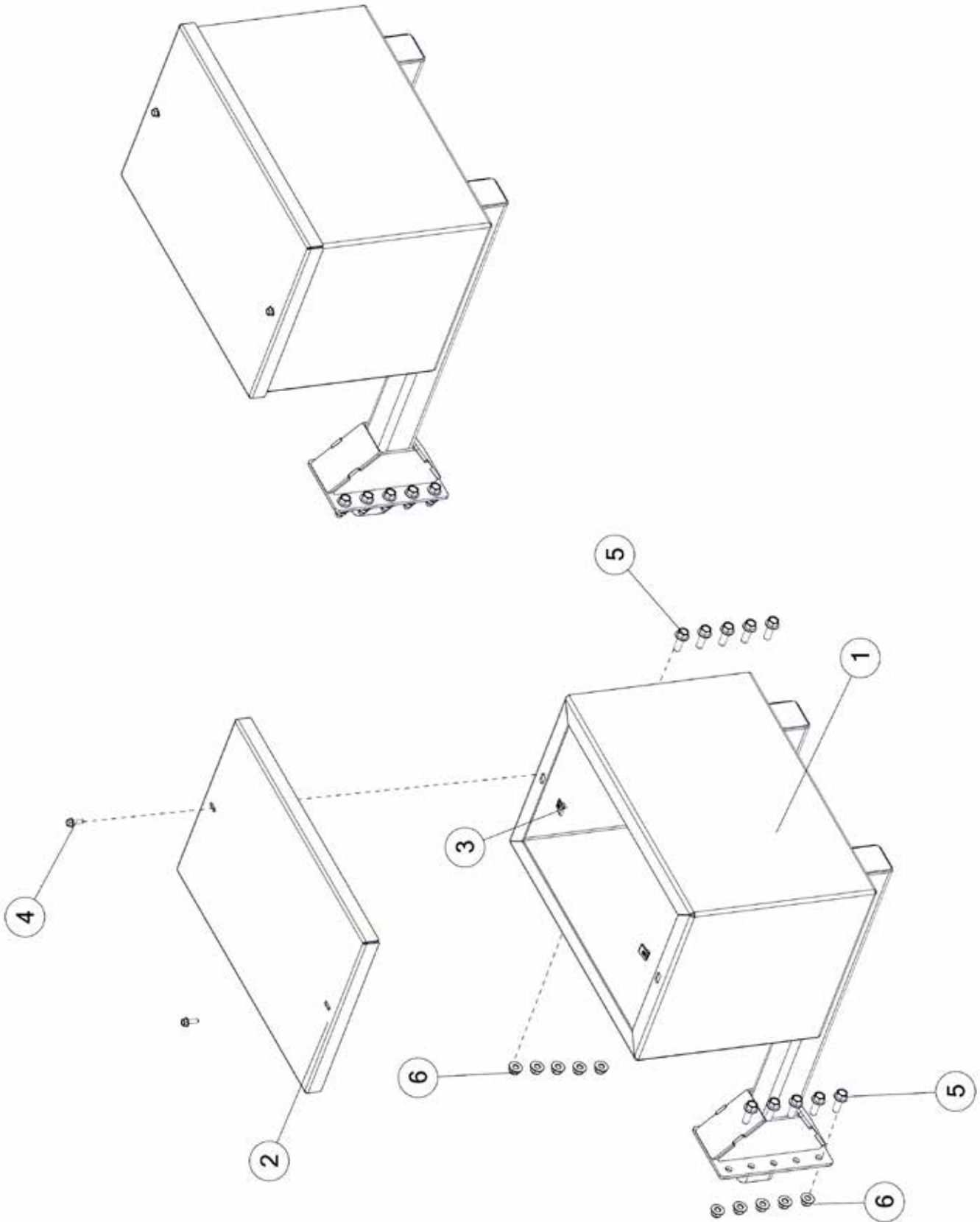


FIGURE 8
WEIGHT BOX OPTION

<u>ITEM</u>	<u>QTY</u>	<u>PART#</u>	<u>DESCRIPTION</u>
1	2	88771	WEIGHT BOX
2	2	88813	WEIGHT BOX LID
3	4	84124	U NUT, 5/16-18, .15 X .562
4	4	YBFB10001	BOLT FLANGE, 5/16 X 1 G5
5	20	YBFB16150	BOLT FLANGE, 1/2 X 1-1/2 G5
6	20	YNFG16003	NUT FLANGE, 1/2 GF

FIGURE 9
REAR TOW BAR

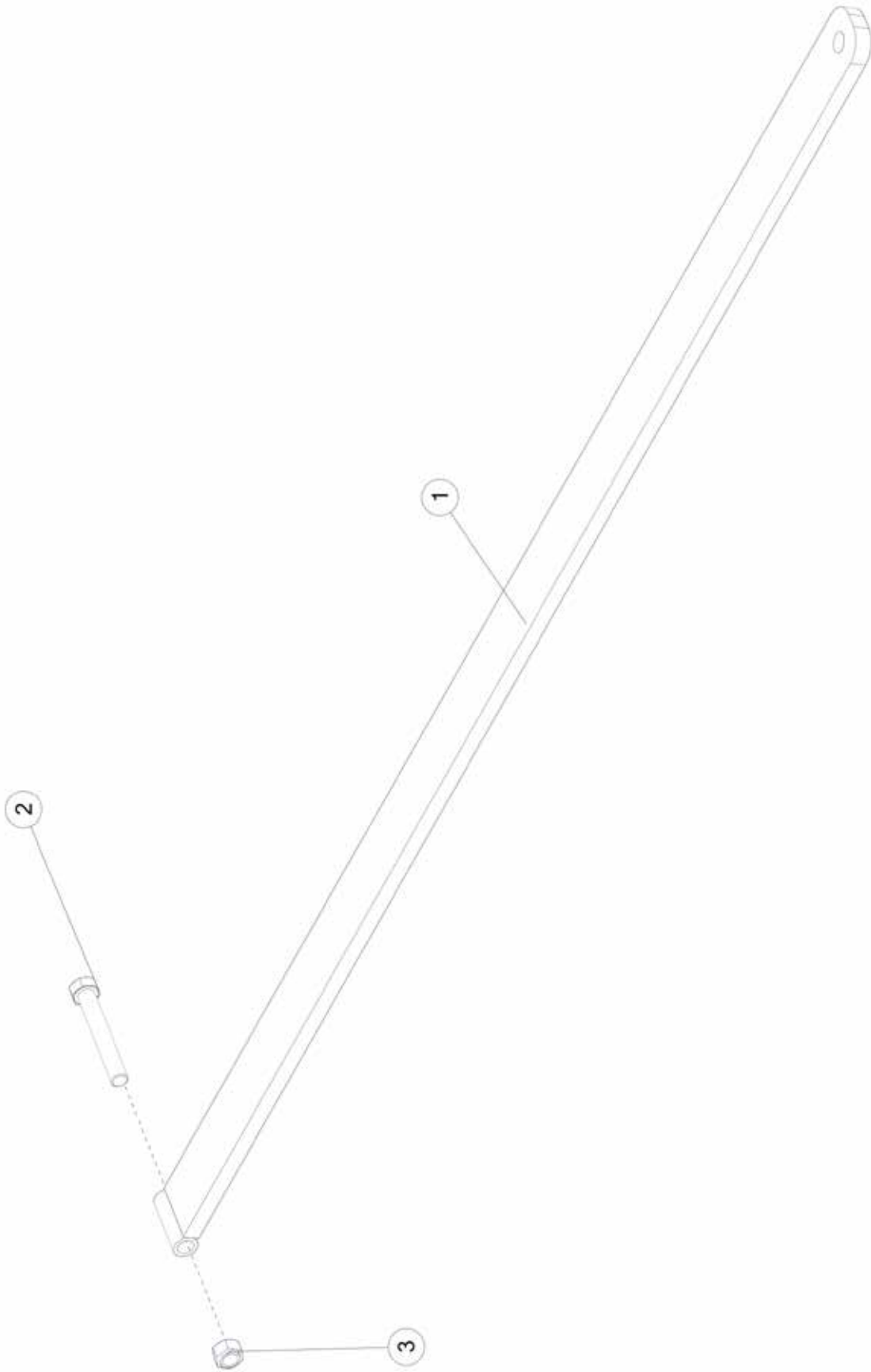


FIGURE 9
REAR TOW BAR

<u>ITEM</u>	<u>QTY</u>	<u>PART#</u>	<u>DESCRIPTION</u>
1	1	88823	REAR HITCH PLATE
2	1	YBHH32030	BOLT HEX, 1-8 X 7 G5
3	1	YNL32005	NUT HEX, 1-8 LKTL C

FIGURE 10
TIRE AND WHEEL OPTION

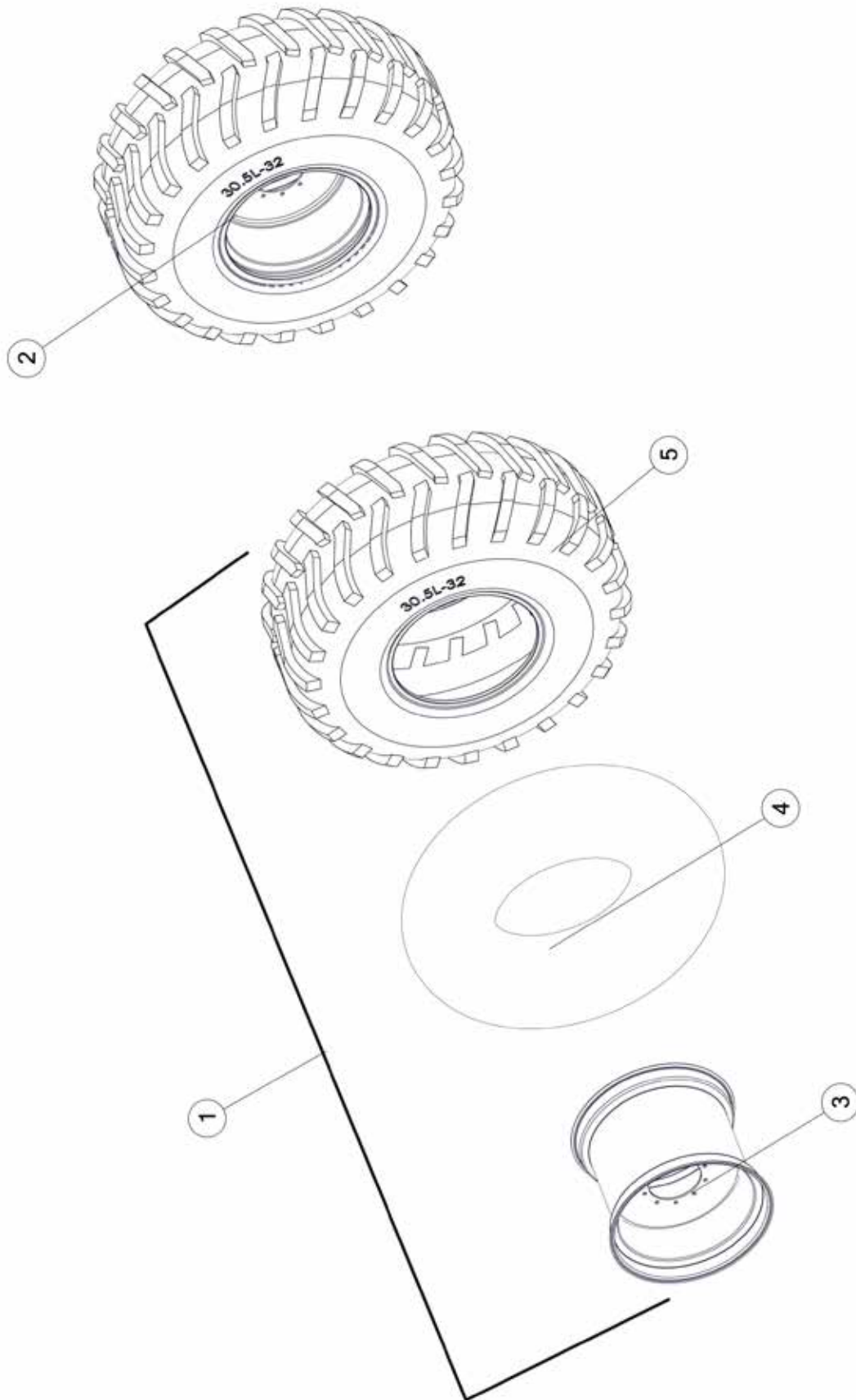


FIGURE 10
TIRE AND WHEEL OPTION

<u>ITEM</u>	<u>QTY</u>	<u>PART#</u>	<u>DESCRIPTION</u>
1	1	88795	TIRE AND WHEEL, ASSY, LH
2	1	88796	TIRE AND WHEEL, ASSY, RH
3	2	88746	WHEEL, 10
4	2	88747	TUBE, 30.5 X 32
5	2	88534	TIRE, 30.5 X 32, 16 PLY

CHANGE NOTES

H&S MFG. CO.

products approved

for the

FEMA

SEAL OF QUALITY

