



# HDB9230T

LOADMASTER 2X  
WITH TRACKS

PARTS BOOK

Part #94046 HSMFG091222 Rev. #00 Starting Ser. #321HDB3001

**STRONG HERITAGE - STRONG PEOPLE - STRONGER FUTURE**





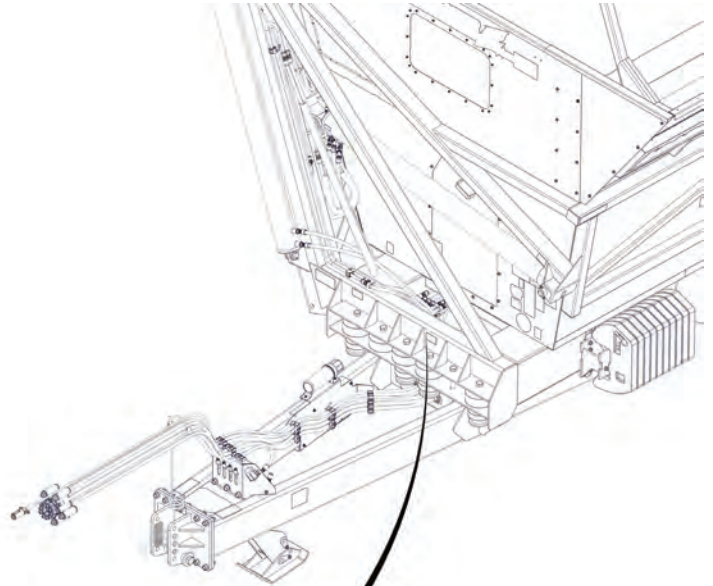
# INSTRUCTIONS FOR ORDERING PARTS

All service parts should be ordered through your authorized H&S dealer. Your Dealership will be able to give you faster service if you will provide them with the following:

1. All references to left or right apply to the machine as viewed from the rear.
2. Parts should not be ordered from illustration only. Please order complete part number.
3. If your dealer has to order parts - give shipping instructions:

VIA truck - large pieces (please specify local truck lines)

VIA United Parcel Service (include full address)



<b>H&amp;S MFG. CO. INC.</b> MARSHFIELD, WIS.	
MOD. NO.	<input type="text"/>
SER. NO.	<input type="text"/>
DESCR.	<input type="text"/>

PLEASE RECORD NUMBERS FOR YOUR UNIT FOR QUICK REFERENCE

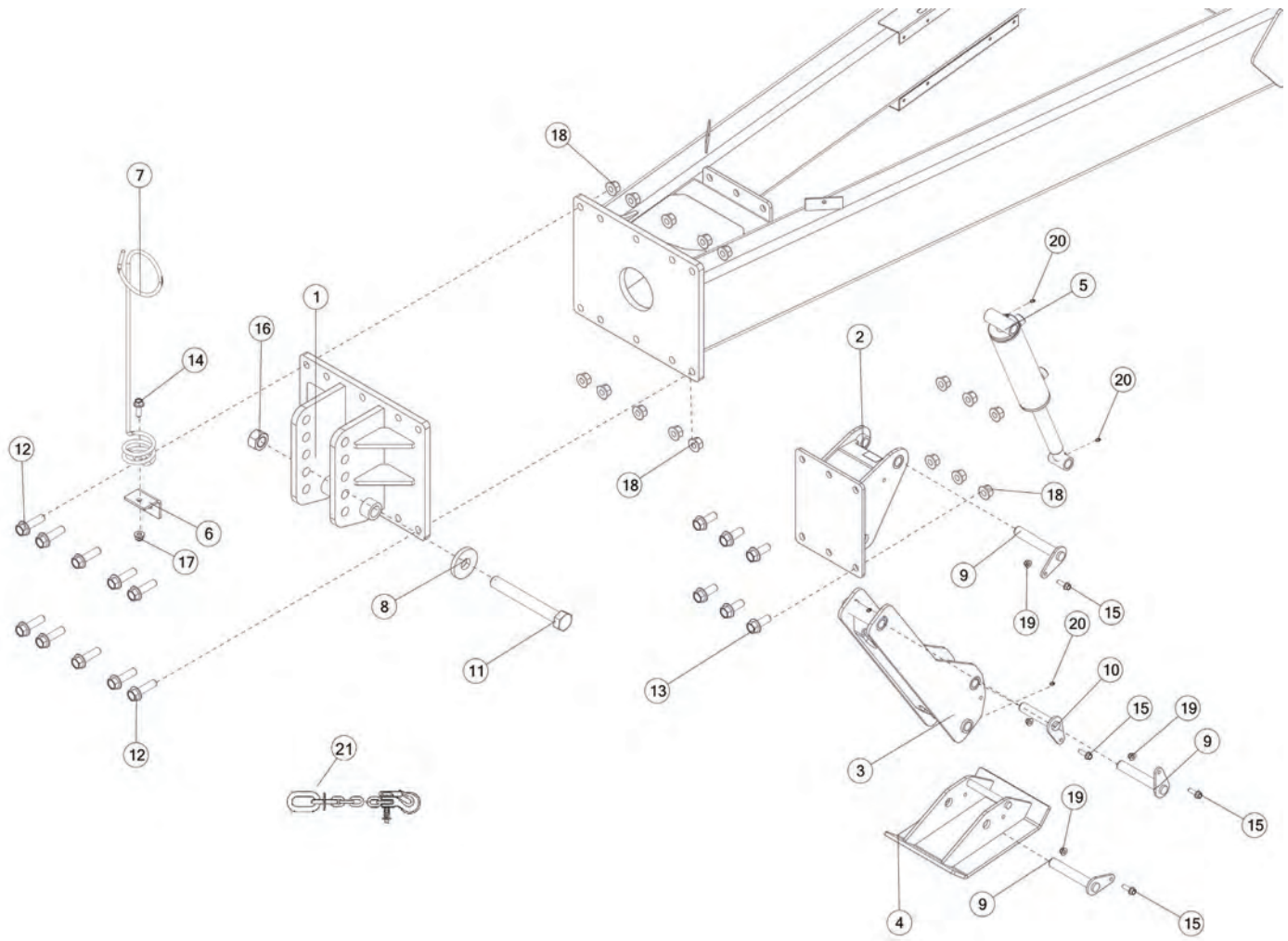
H&S IS CONTINUALLY STRIVING TO IMPROVE ITS PRODUCTS

We must, therefore, reserve the right to make improvements or changes whenever it becomes practical to do so, without incurring any obligation to make changes or additions to the equipment previously sold.





# FIGURE 1 HITCH MOUNT & JACK ARM COMPONENTS

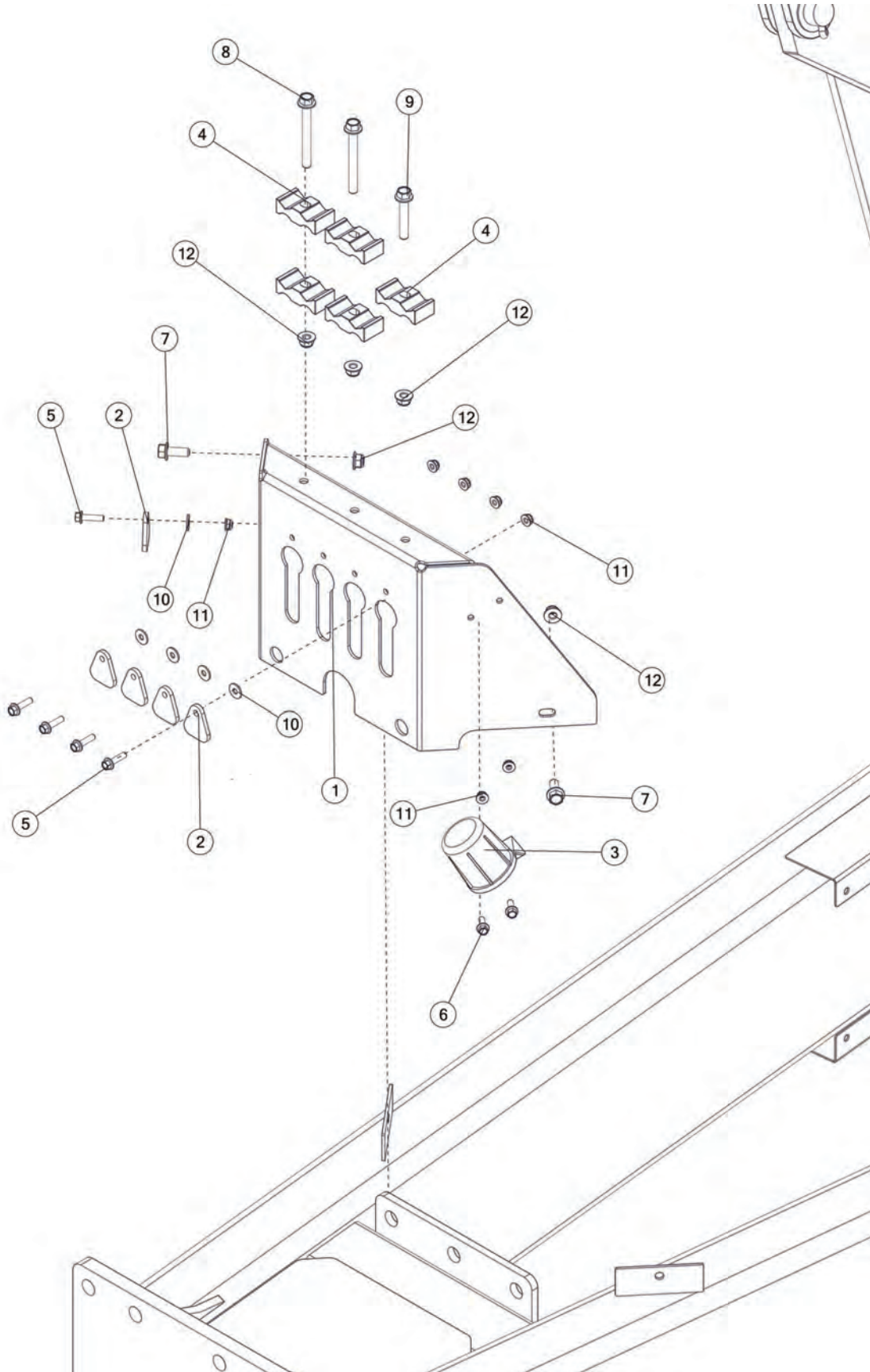








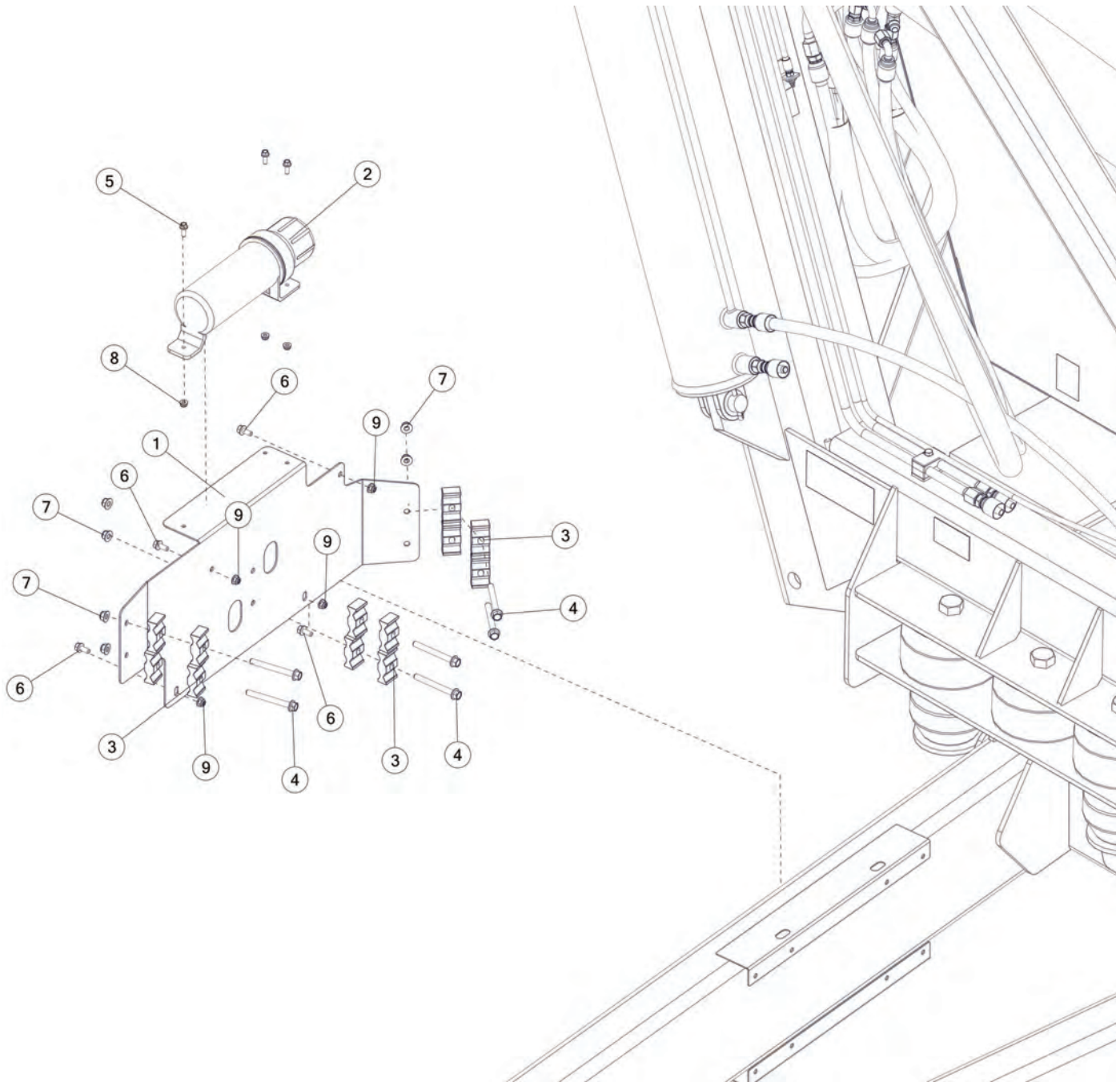
**FIGURE 2**  
**HOSE HOLDER & COMPONENTS**







# FIGURE 3 POLE HOSE HOLDER & COMPONENTS

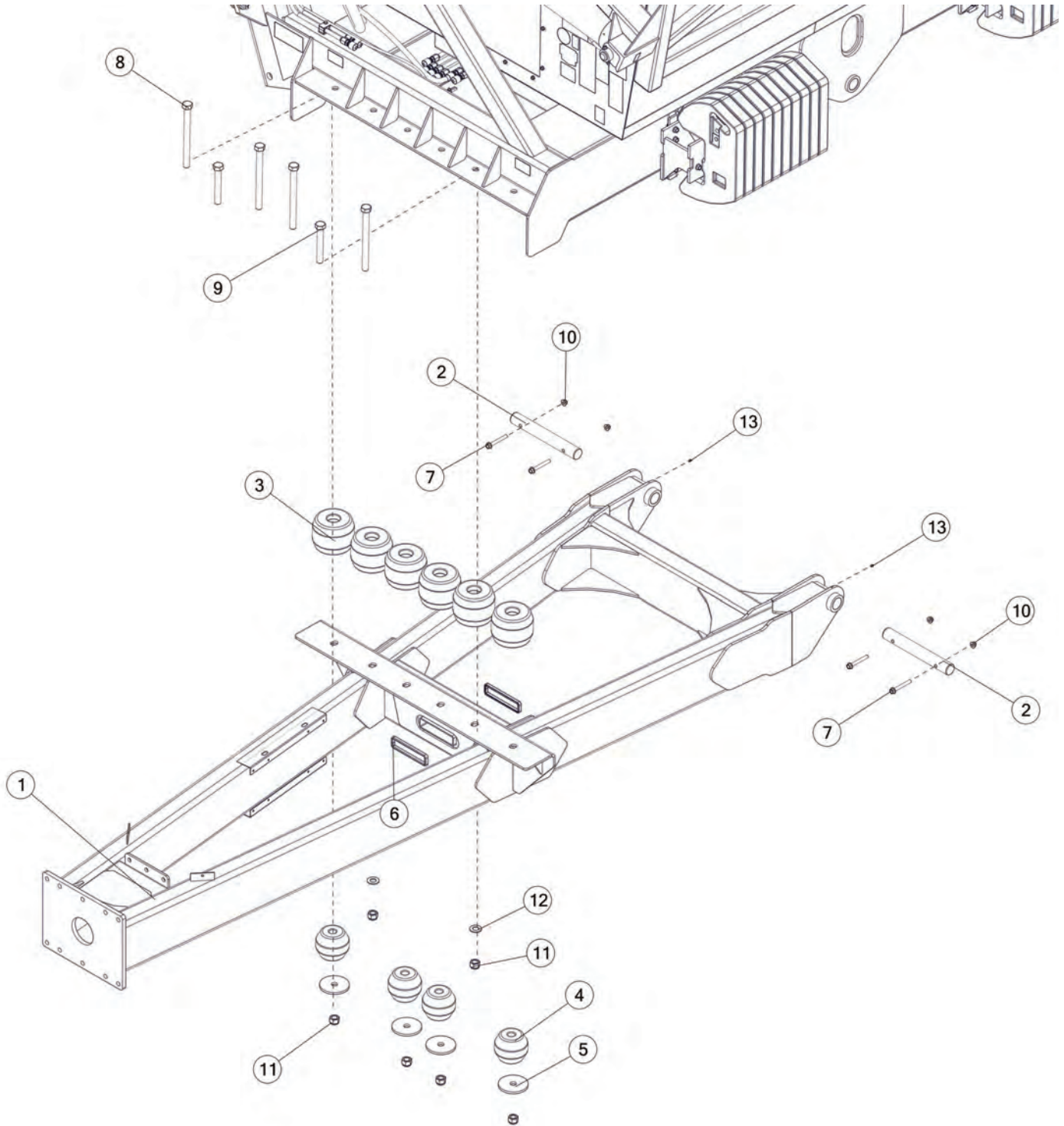








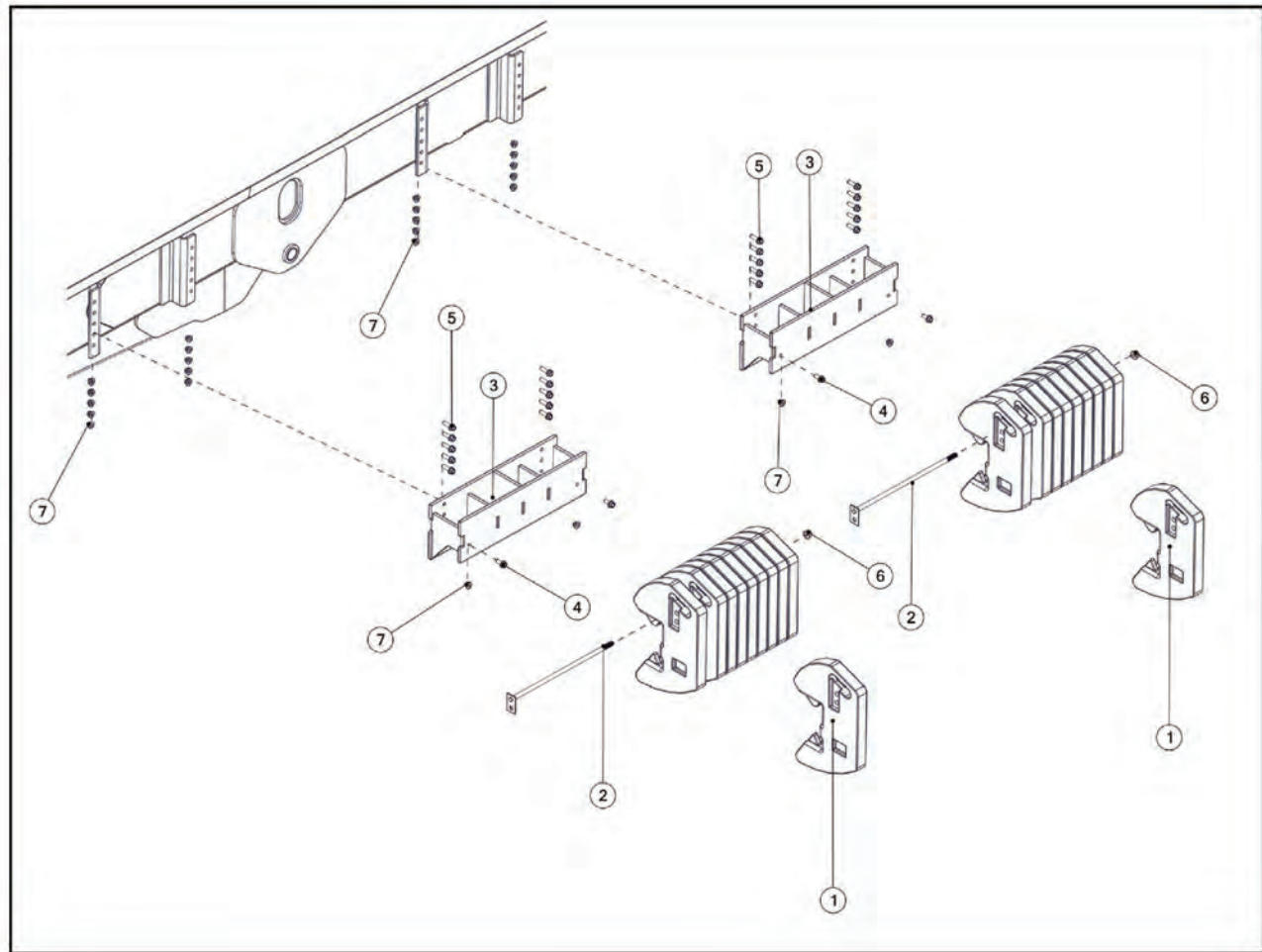
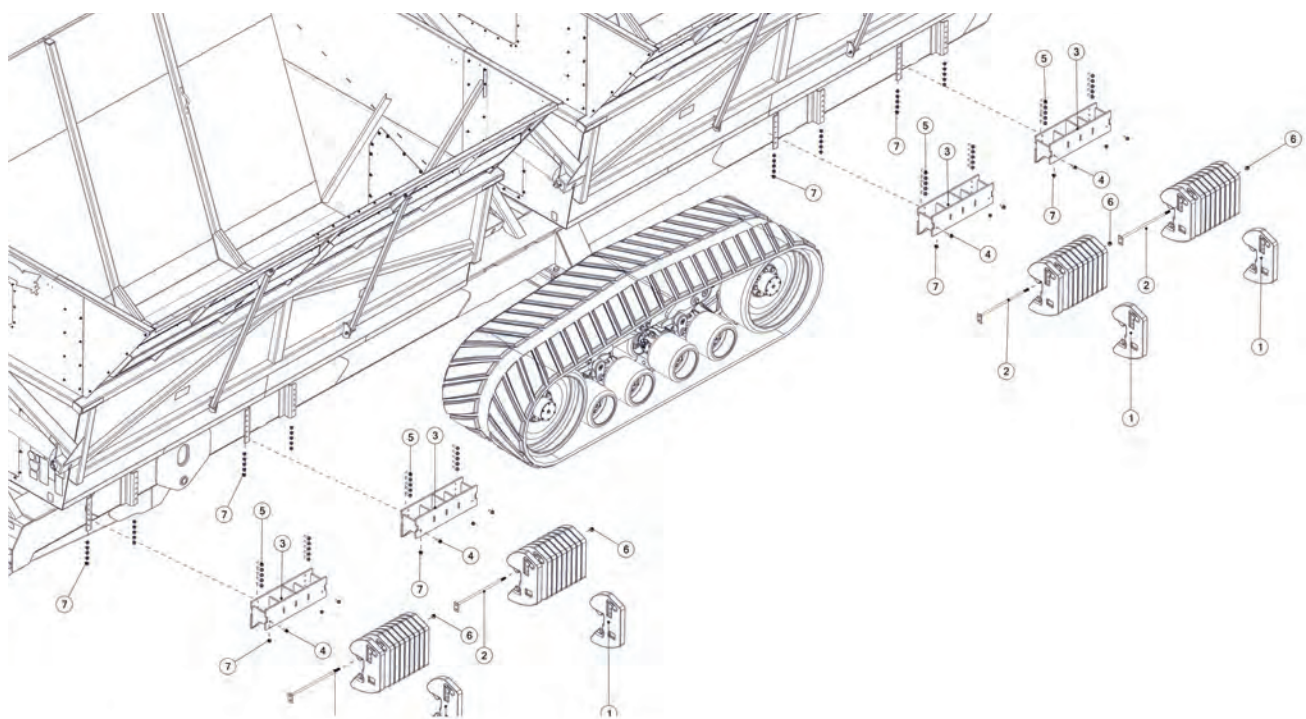
# FIGURE 4 FRONT POLE & COMPONENTS







# FIGURE 5 SUITCASE WEIGHTS & COMPONENTS

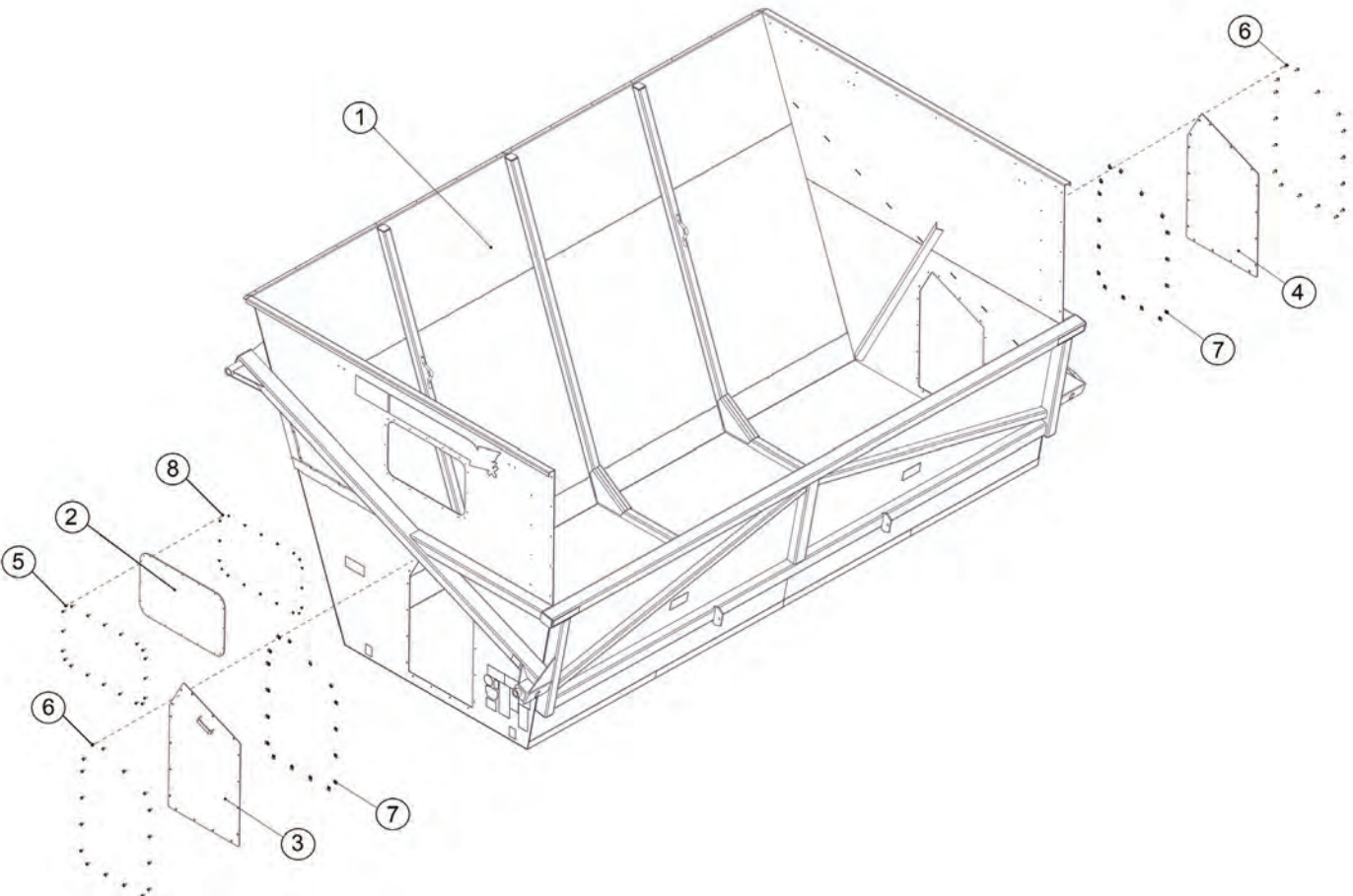








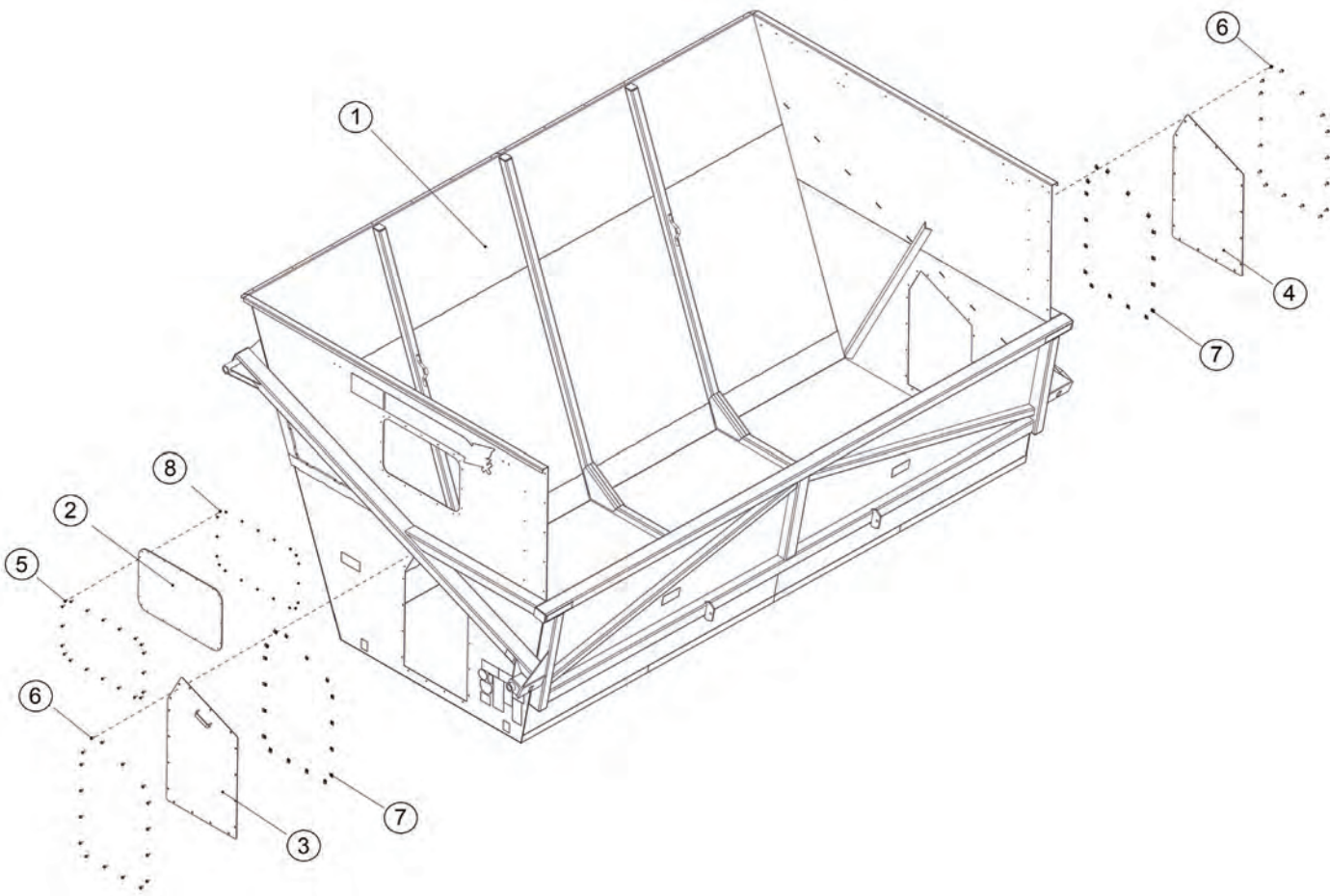
# FIGURE 6 FRONT HOPPER & COMPONENTS



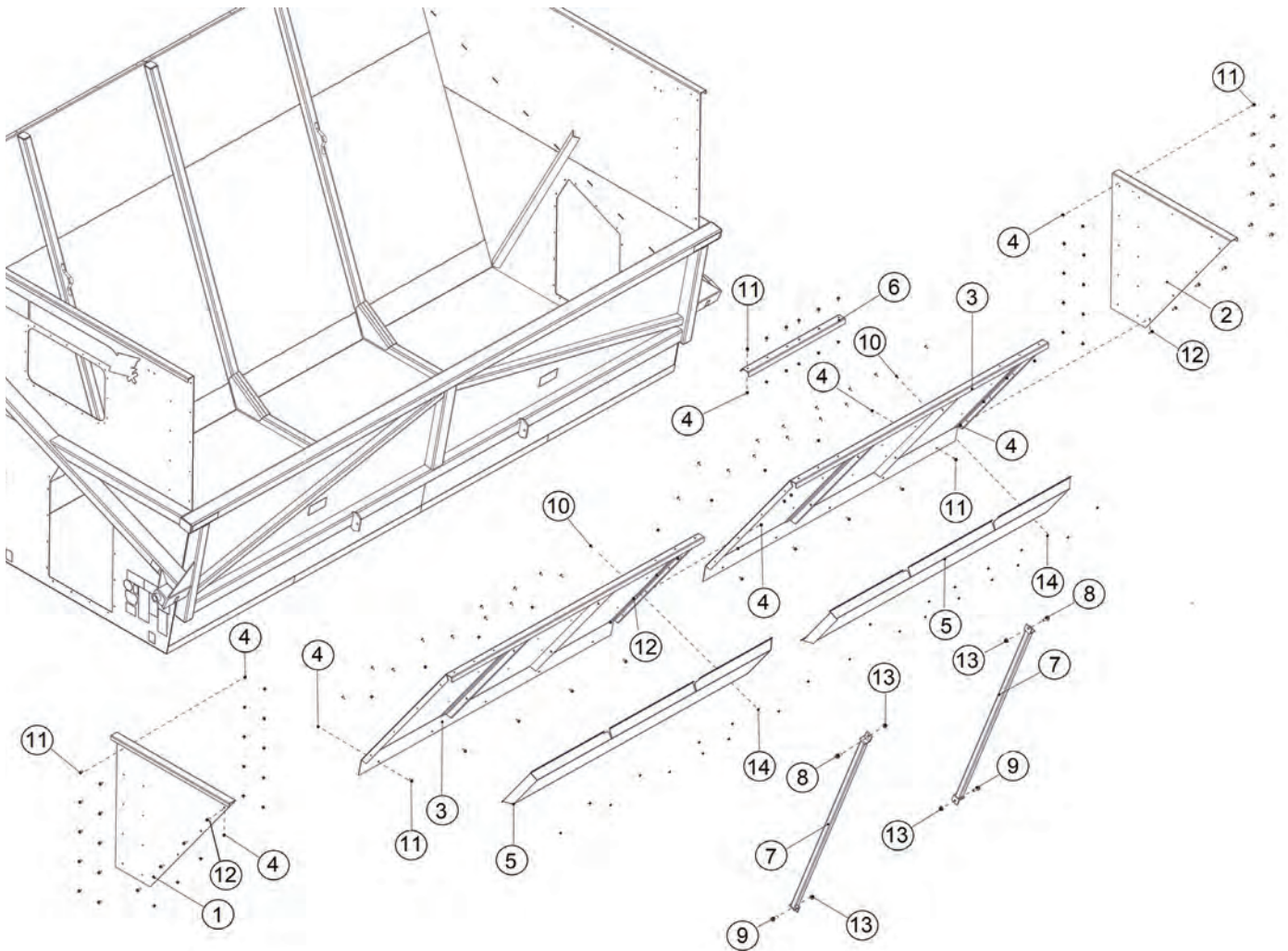




# FIGURE 7 REAR HOPPER & COMPONENTS





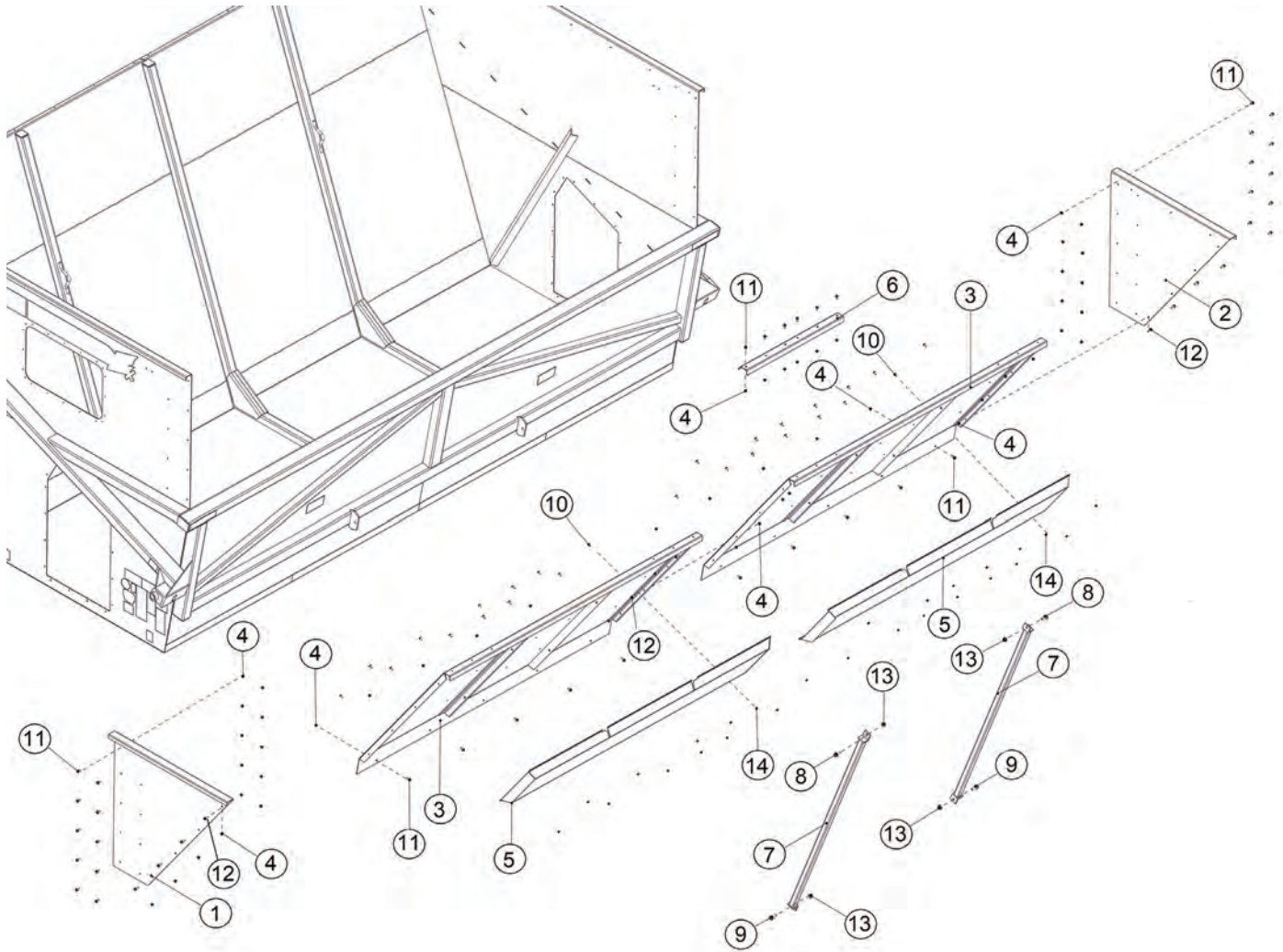








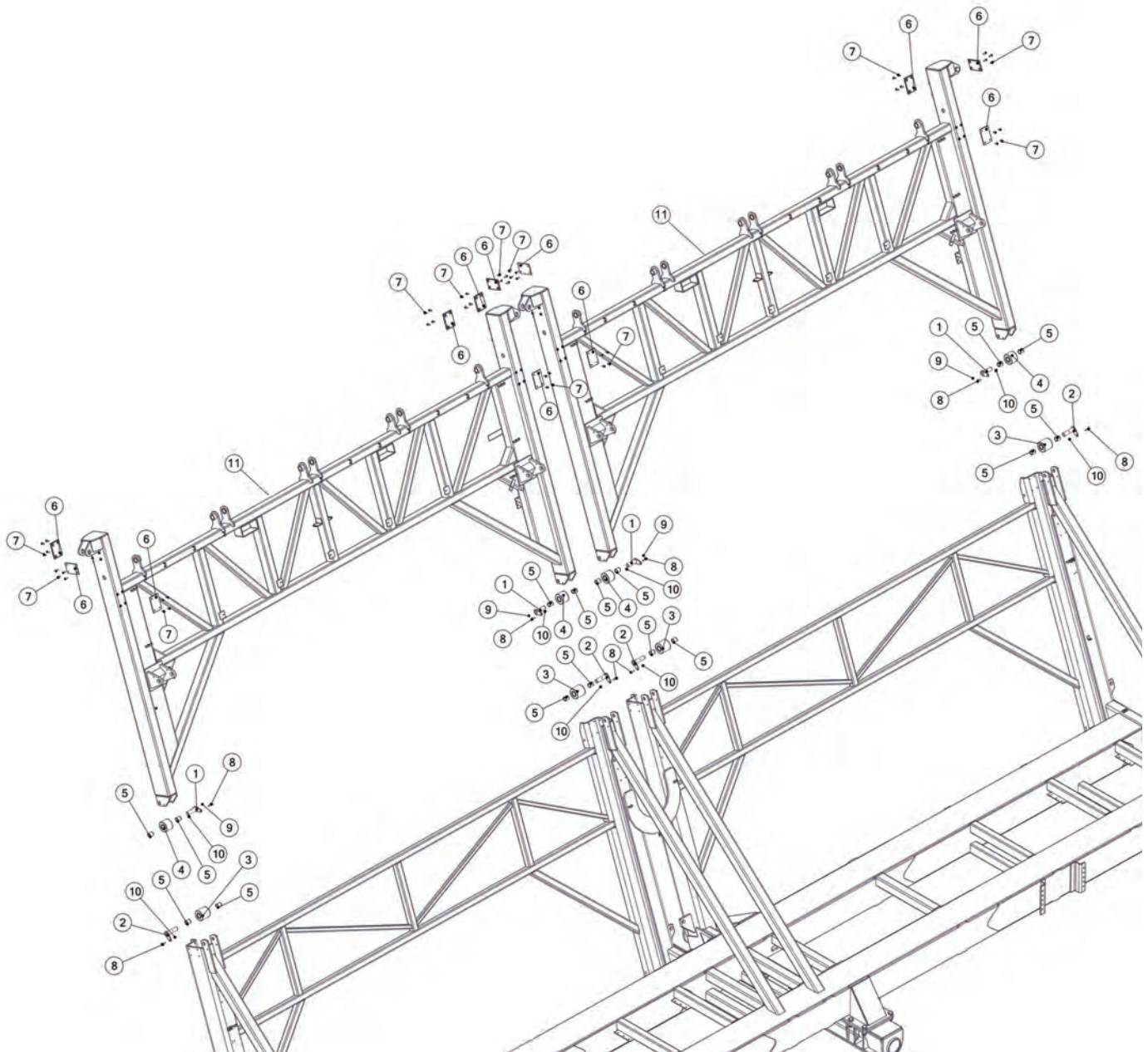
# FIGURE 9 REAR HOPPER PANELS & COMPONENTS





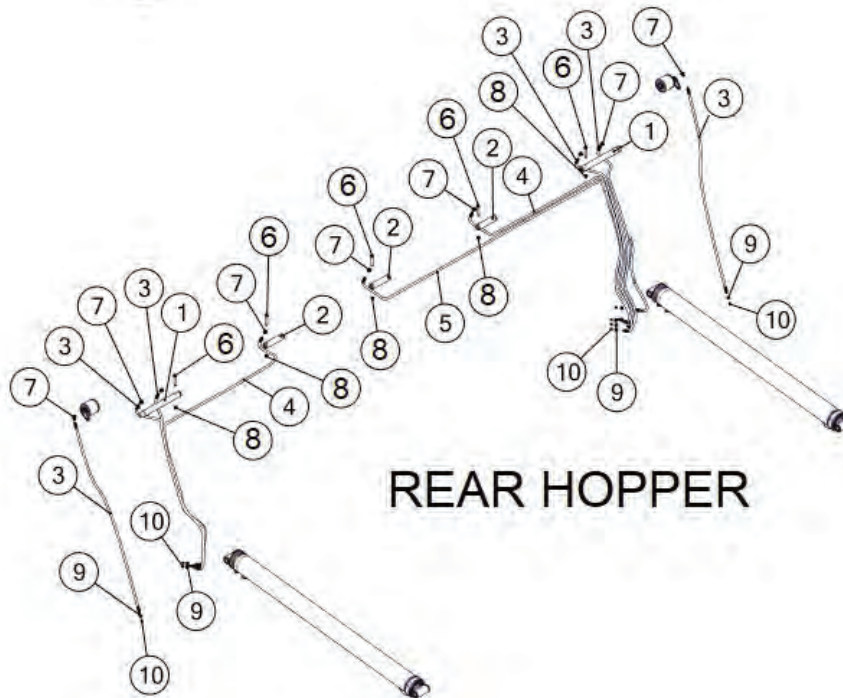
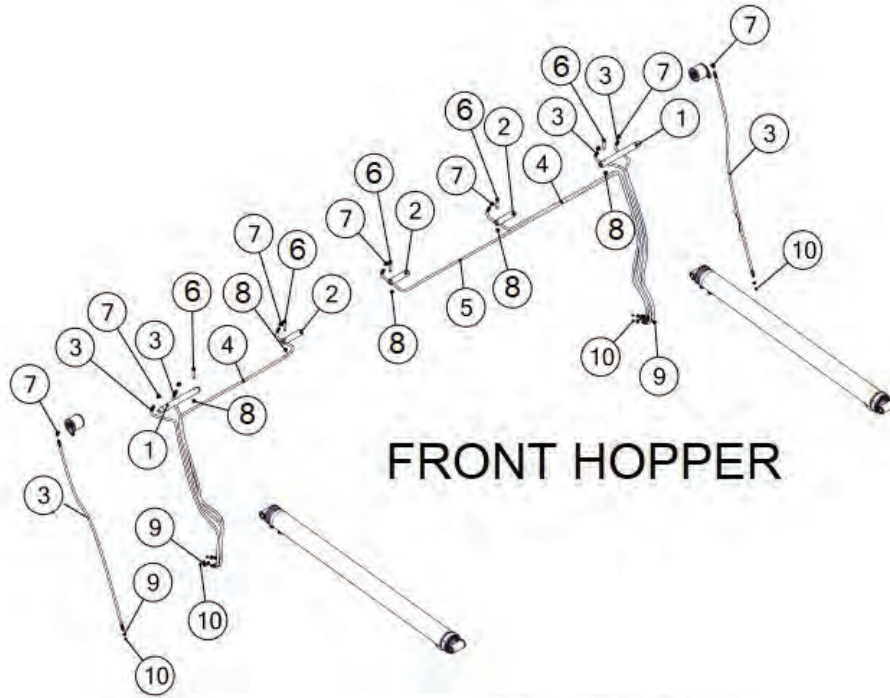


# FIGURE 10 ELEVATOR & COMPONENTS





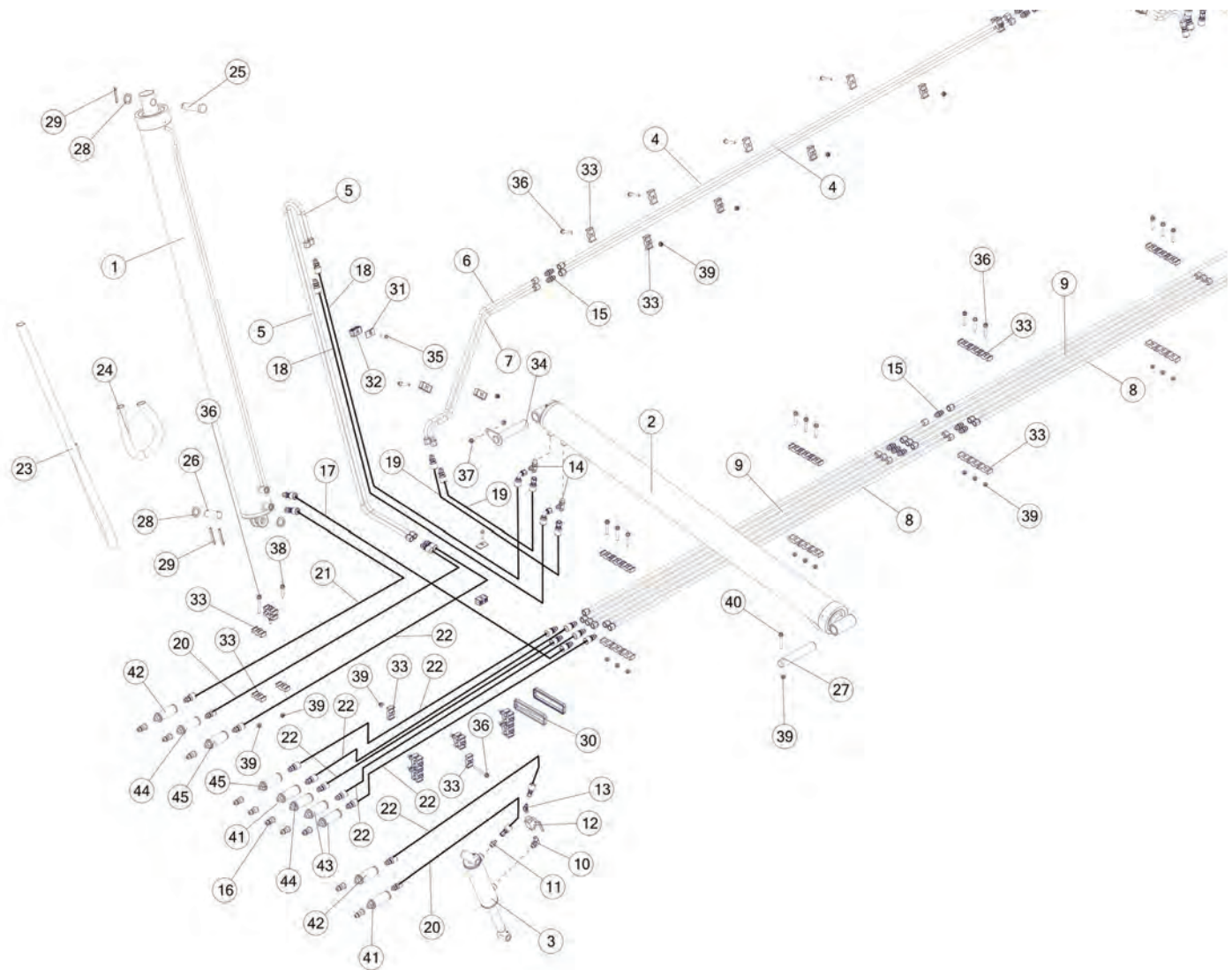








# FIGURE 12 HYDRAULICS & COMPONENTS





# FIGURE 12

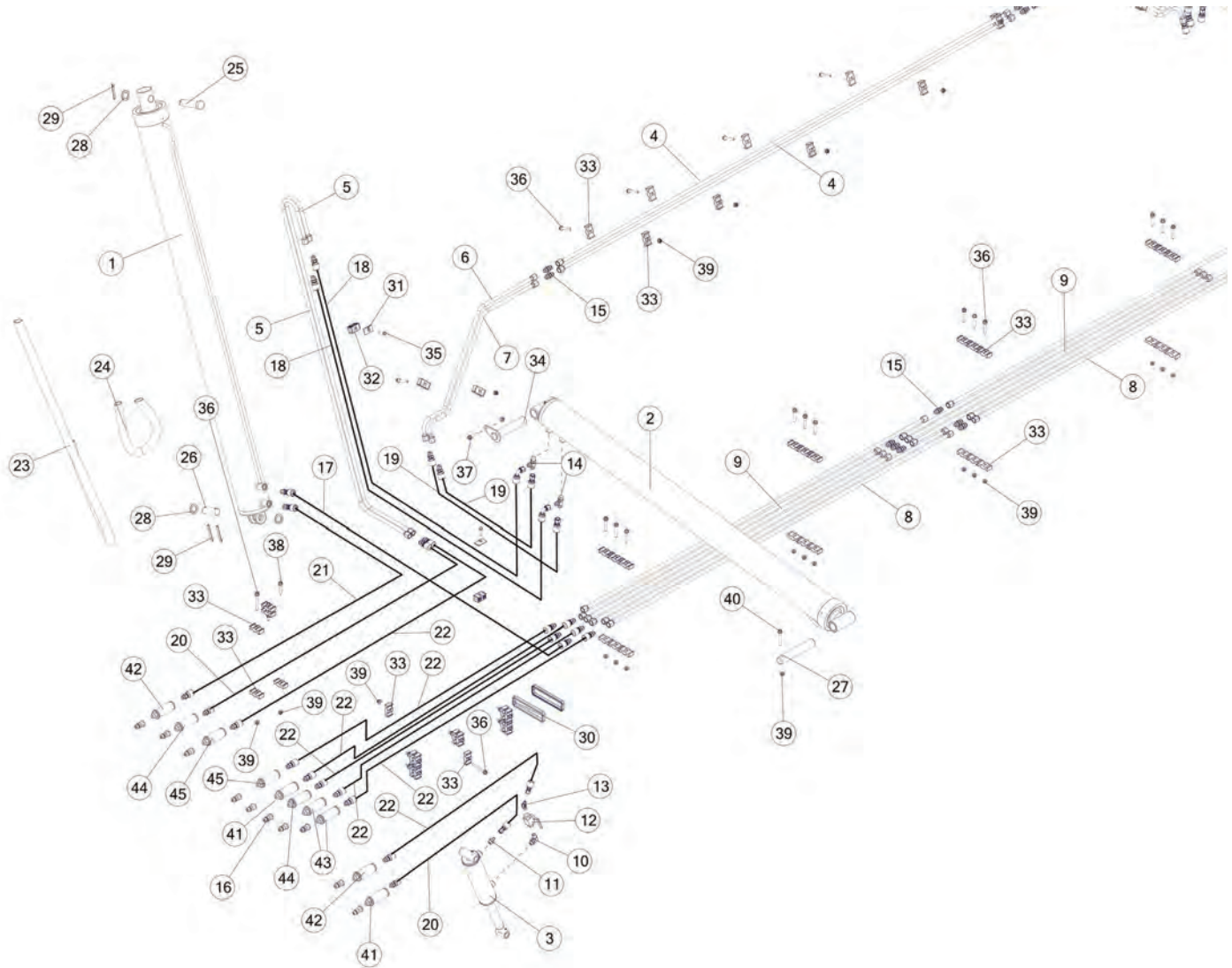
## HYDRAULICS & COMPONENTS

REF #	PART #	DESCRIPTION	QTY
1	88423	HYDRAULIC CYLINDER, 5-1/2, 72	1
*	89037	SEAL KIT	1
2	88425	HYDRAULIC CYLINDER, 5, 71-1/4	1
*	89039	SEAL KIT	1
3	92420	CYLINDER, 3 X 6	1
*	94015	SEAL KIT	1
4	88529	HYDRAULIC TUBE, 5/8 X 119	2
5	88738	HYDRAULIC TUBE	2
6	90034	HYDRAULIC TUBE	1
7	90036	HYDRAULIC TUBE	1
8	88525	HYDRAULIC TUBE, 5/8 X 90	4
9	91693	HYDRAULIC TUBE, 5/8 X 78	6
10	70158	FITTING 90, 3/4ORB, 3/8NPT, STL	1
11	CHM207	FITTING STRAIGHT ,6JIC, 8ORB, STL	1
12	59235	BALL VALVE, HIGH PRESSURE, 3/8	1
13	58151	FITTING 45, 3/8JIC, 3/8-18NPTF	1
14	77465	FITING T, 8 JIC, 8 ORB, 8 JIC, STL	2
15	83779	FITTING STRAIGHT, 10 JIC, 10 JIC	8
16	67148	FITTING STRAIGHT, 8ORB, QUICK COUPLER TIP	10
17	88556	HYDRAULIC HOSE, 8, 45-3/4	1
18	88919	HYDRAULIC HOSE, 8, 98-1/2	2
19	88881	HYDRAULIC HOSE, 8, 39	2
20	92687	HYDRAULIC HOSE, 6, 120	2
21	88916	HYDRAULIC HOSE, 8, 208	1
22	88918	HYDRAULIC HOSE, 8, 195	7
23	94259	SPIRAL WRAP, 71	1
24	94260	SPIRAL WRAP, 24	1
25	88560	CYLINDER PIN, UPPER LIFT	1
26	88559	CYLINDER PIN, LOWER LIFT	1
27	88631	HOPPER TILT PIN	1
28	YWFL36005	WASHER, FLAT, SAE 1-1/4 ZC	3
29	YPCT10005	COTTER PIN, 5/16 X 2-1/2	3
30	94017	EDGING, 2 X 8	2
31	56563	CLAMP TOP PLATE	2
32	82667	HOSE CLAMP, DOUBLE, 5/8 TUBE	2
33	86567	DOUBLE CLAMP, UNIVERSAL	52
34	88549	CYLINDER PIN, TILT	1
35	56568	CLAMP BOLT, 5/16-18 x 1-3/8	2
36	YBFB12250	BOLT FLANGE, 3/8 X 2-1/2 G5	22
37	YBFB12175	BOLT FLANGE, 3/8 X 1-3/4 G5	1





# FIGURE 12 HYDRAULICS & COMPONENTS

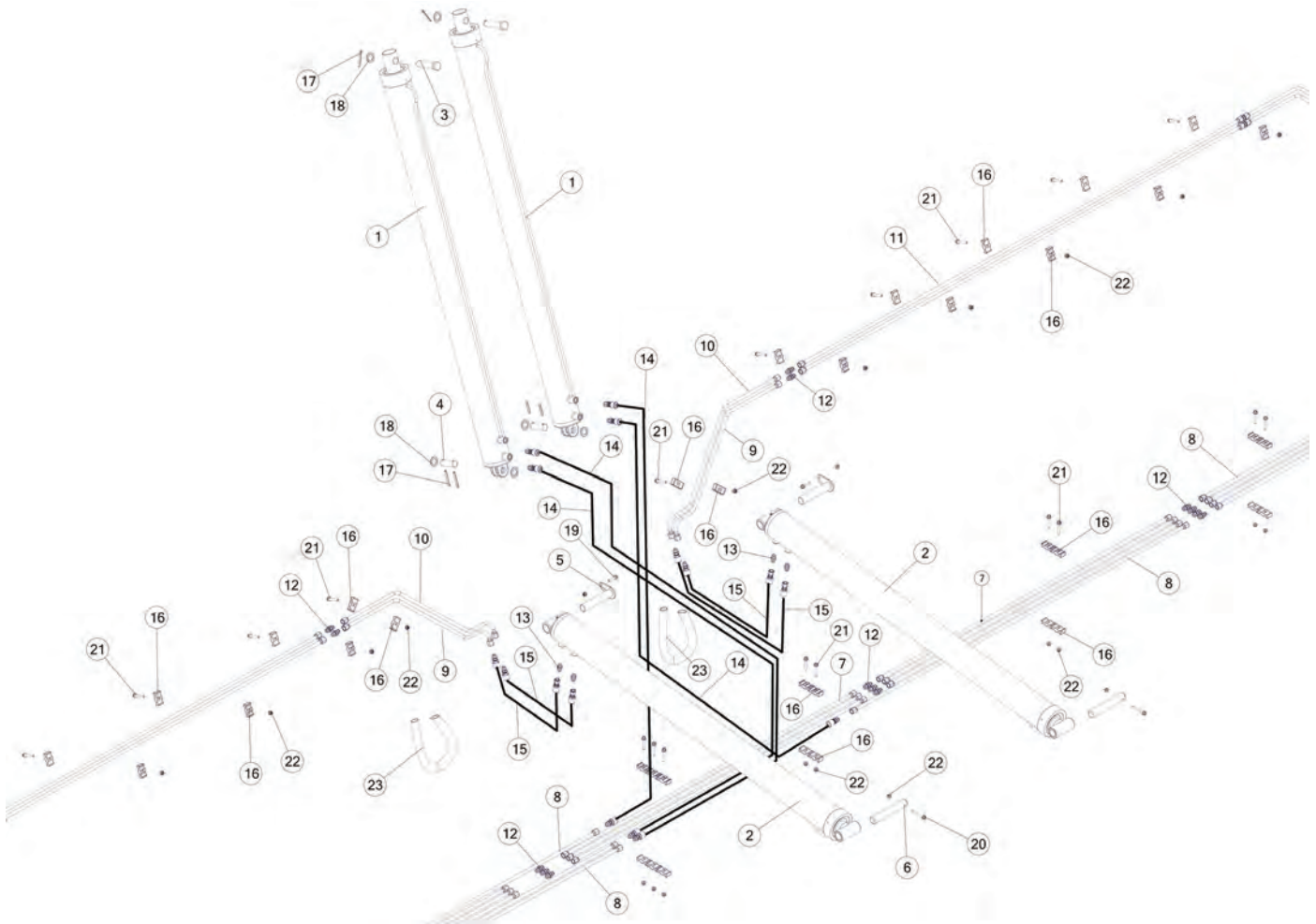








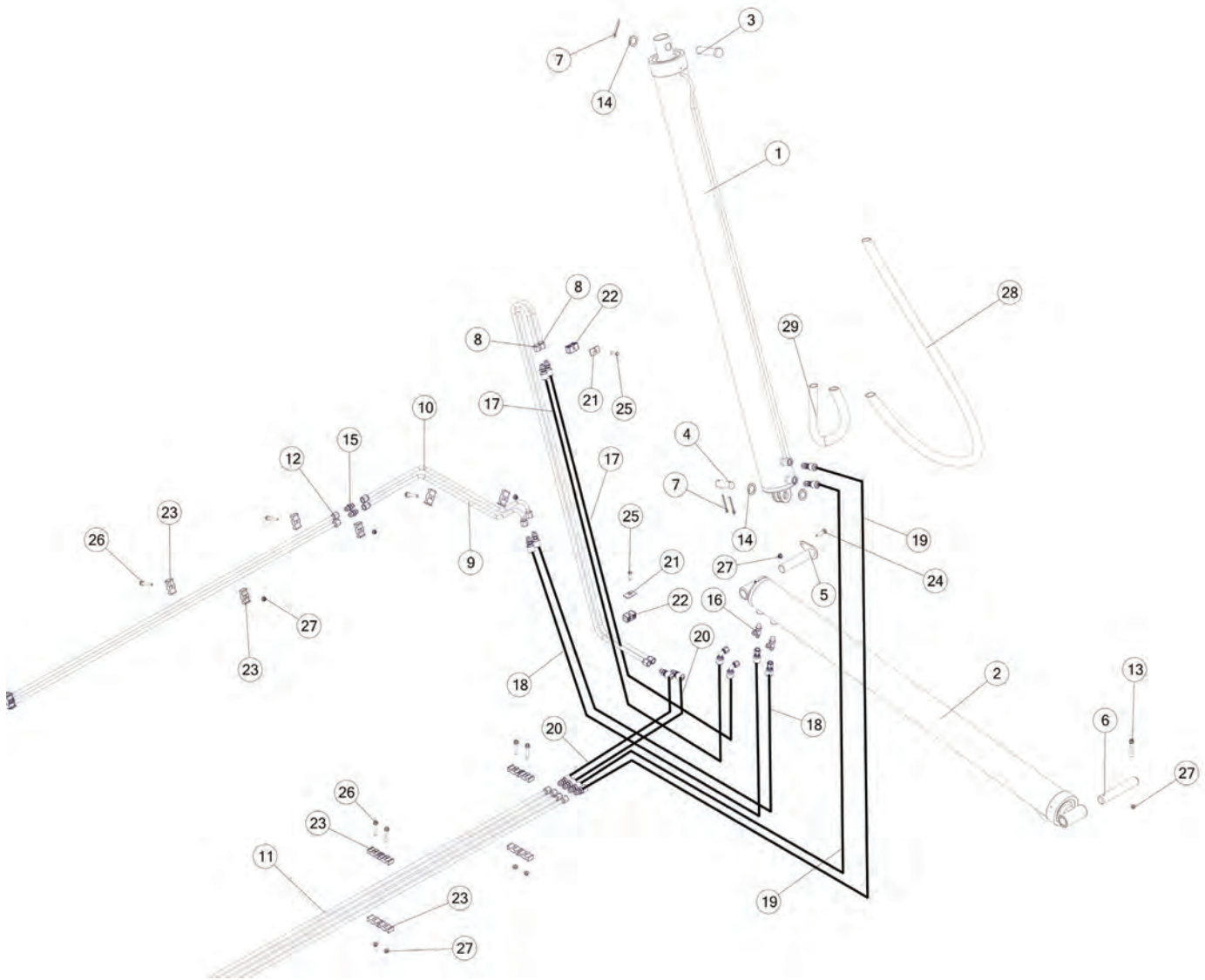
# FIGURE 13 HYDRAULICS & COMPONENTS







# FIGURE 14 HYDRAULICS & COMPONENTS





# FIGURE 14

## HYDRAULICS & COMPONENTS

REF #	PART #	DESCRIPTION	QTY
1	88423	HYDRAULIC CYLINDER, 5-1/2 X 72	1
*	89037	SEAL KIT	1
2	88425	HYDRAULIC CYLINDER, 5 X 71-1/4	1
*	89039	SEAL KIT	1
3	88560	CYLINDER PIN, UPPER LIFT	1
4	88559	CYLINDER PIN, LOWER LIFT	1
5	88549	CYLINDER PIN, TILT	1
6	88631	HOPPER TILT PIN	1
7	YPCT10005	COTTER PIN, 5/16 X 2-1/2	3
8	88738	HYDRAULIC TUBE	2
9	90036	HYDRAULIC TUBE	1
10	90034	HYDRAULIC TUBE	1
11	88525	HYDRAULIC TUBE, 5/8 X 90	4
12	88529	HYDRAULIC TUBE, 5/8 X 119	2
13	YBFB12300	BOLT FLANGE, 3/8 X 3 G5	1
14	YWFL36005	WASHER, FLAT, SAE 1-1/4 ZC	3
15	83779	FITTING STRAIGHT, 10 JIC, 10 JIC	2
16	77465	FITING T, 8 JIC, 8 ORB, 8 JIC, STL	2
17	88919	HYDRAULIC HOSE, 8, 98-1/2	2
18	88881	HYDRAULIC HOSE, 8, 39	2
19	88556	HYDRAULIC HOSE, 8, 45-3/4	2
20	93941	HYDRAULIC HOSE, 8, 24	2
21	56563	CLAMP TOP PLATE	2
22	82667	HOSE CLAMP, DOUBLE, 5/8" TUBE	2
23	86567	DOUBLE CLAMP, UNIVERSAL	14
24	YBFB12175	BOLT FLANGE, 3/8 X 1-3/4 G5	1
25	56568	CLAMP BOLT 5/16-18 x 1-3/8	2
26	YBFB12250	BOLT FLANGE, 3/8 X 2-1/2 G5	7
27	YNFG12006	NUT FLANGE, 3/8 GF	9
28	94259	SPIRAL WRAP, 71	1
29	94260	SPIRAL WRAP, 24	1

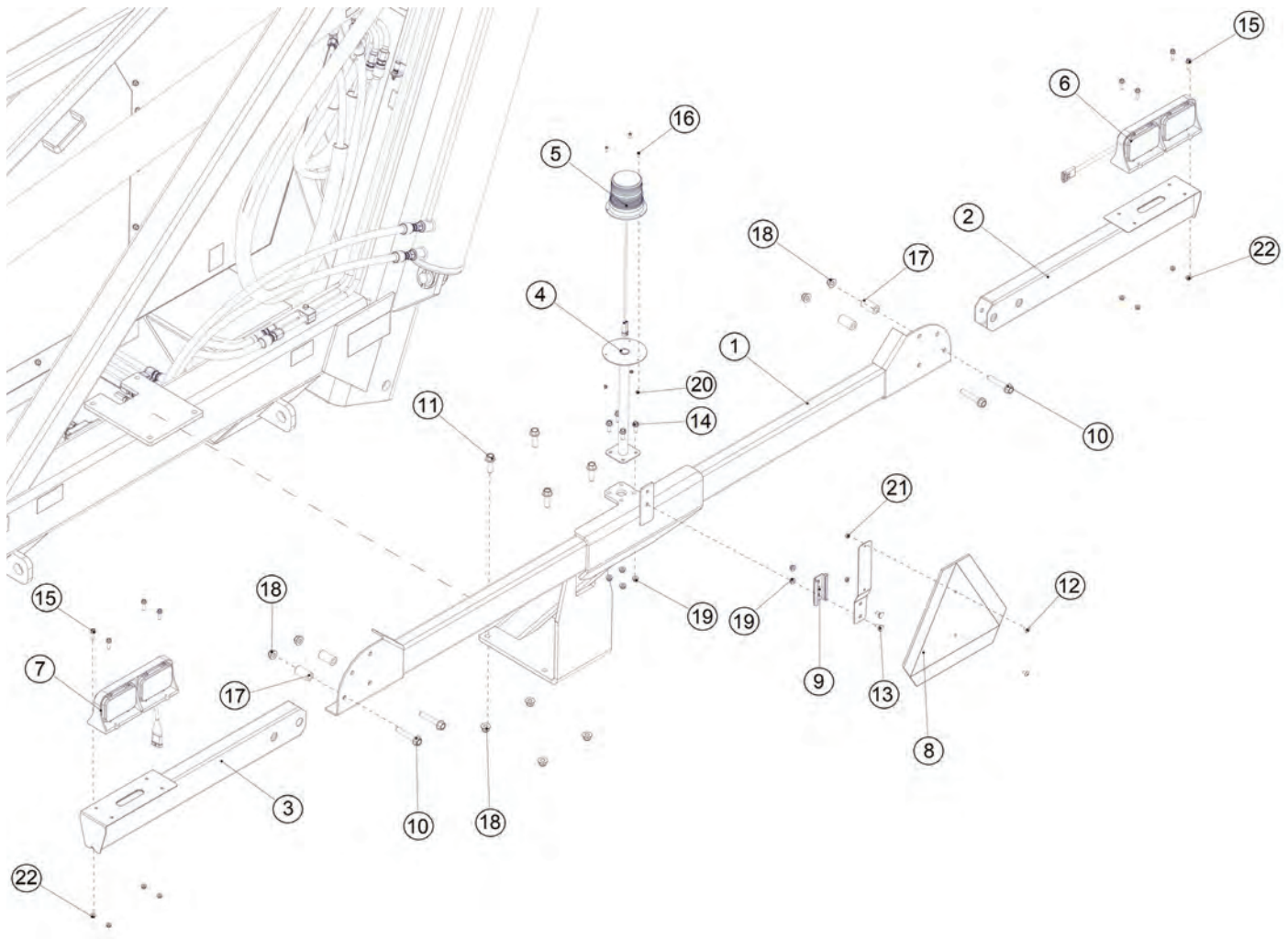






# FIGURE 15

## LIGHTS

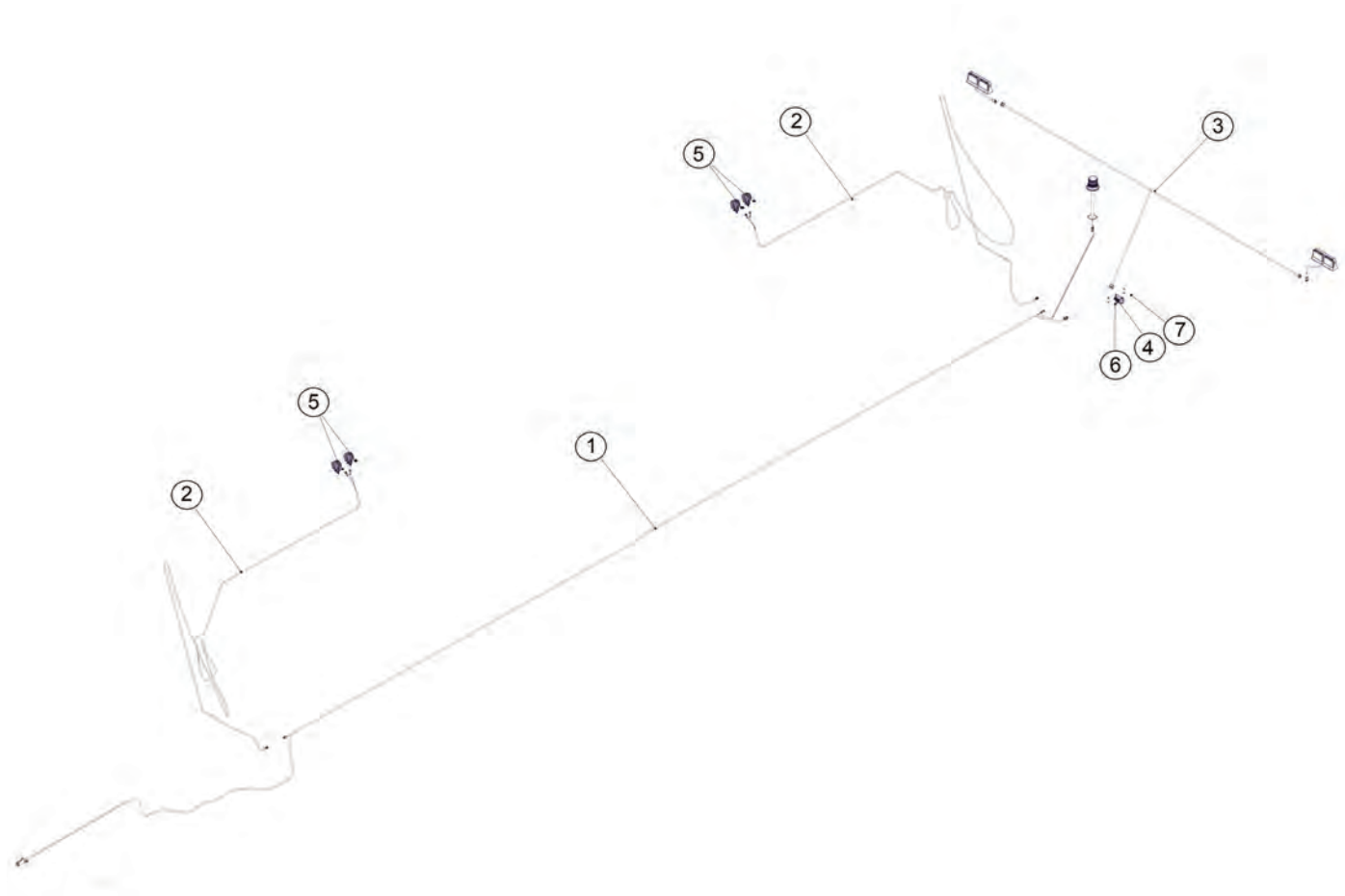






# FIGURE 16

ELECTRICAL



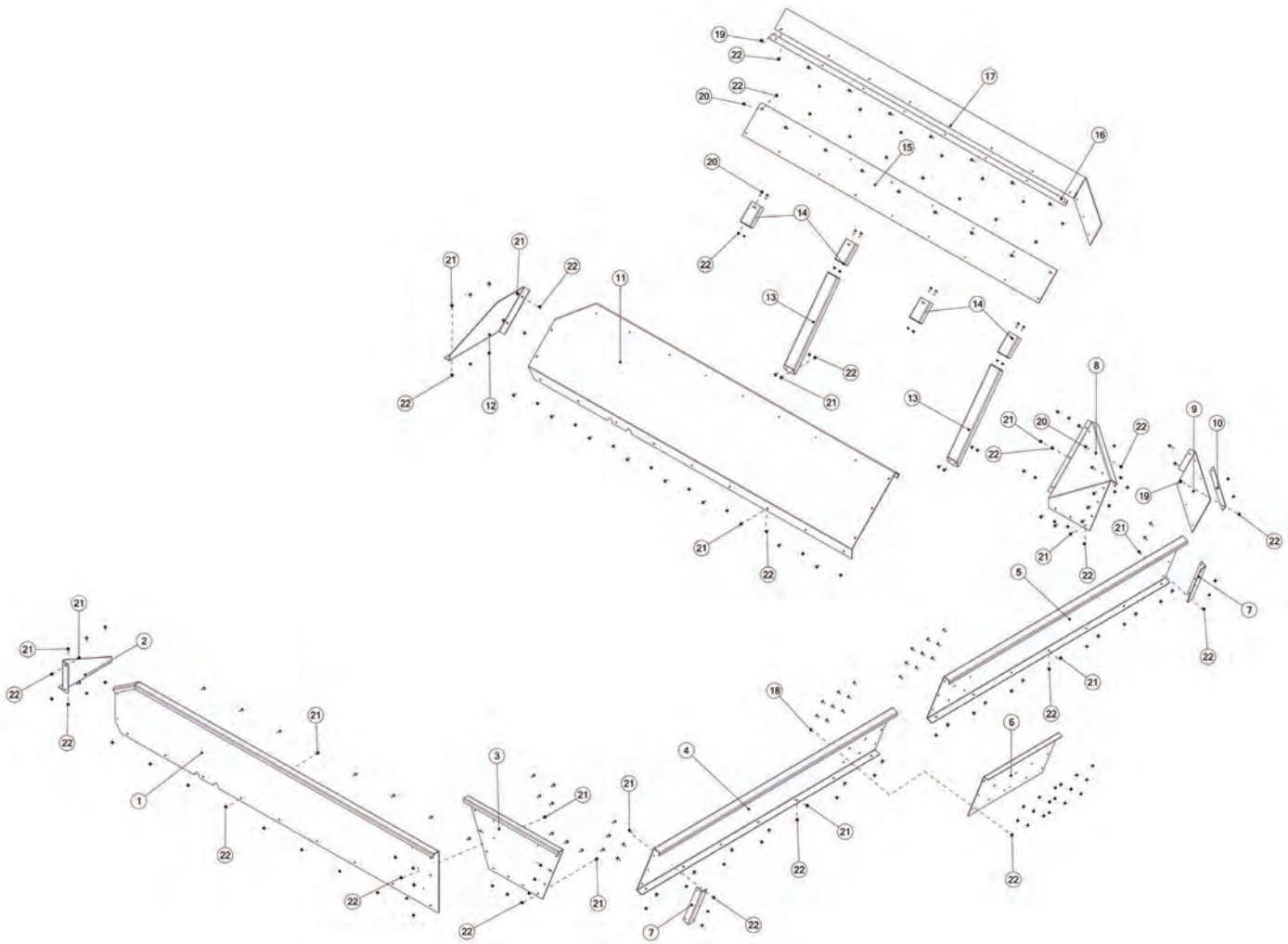




# FIGURE 17

OPTIONAL DUMPING EXTENSION FOR UNLOADING INTO A 36' SEMI-TRAILER (HDBODE36)

## REAR BOX





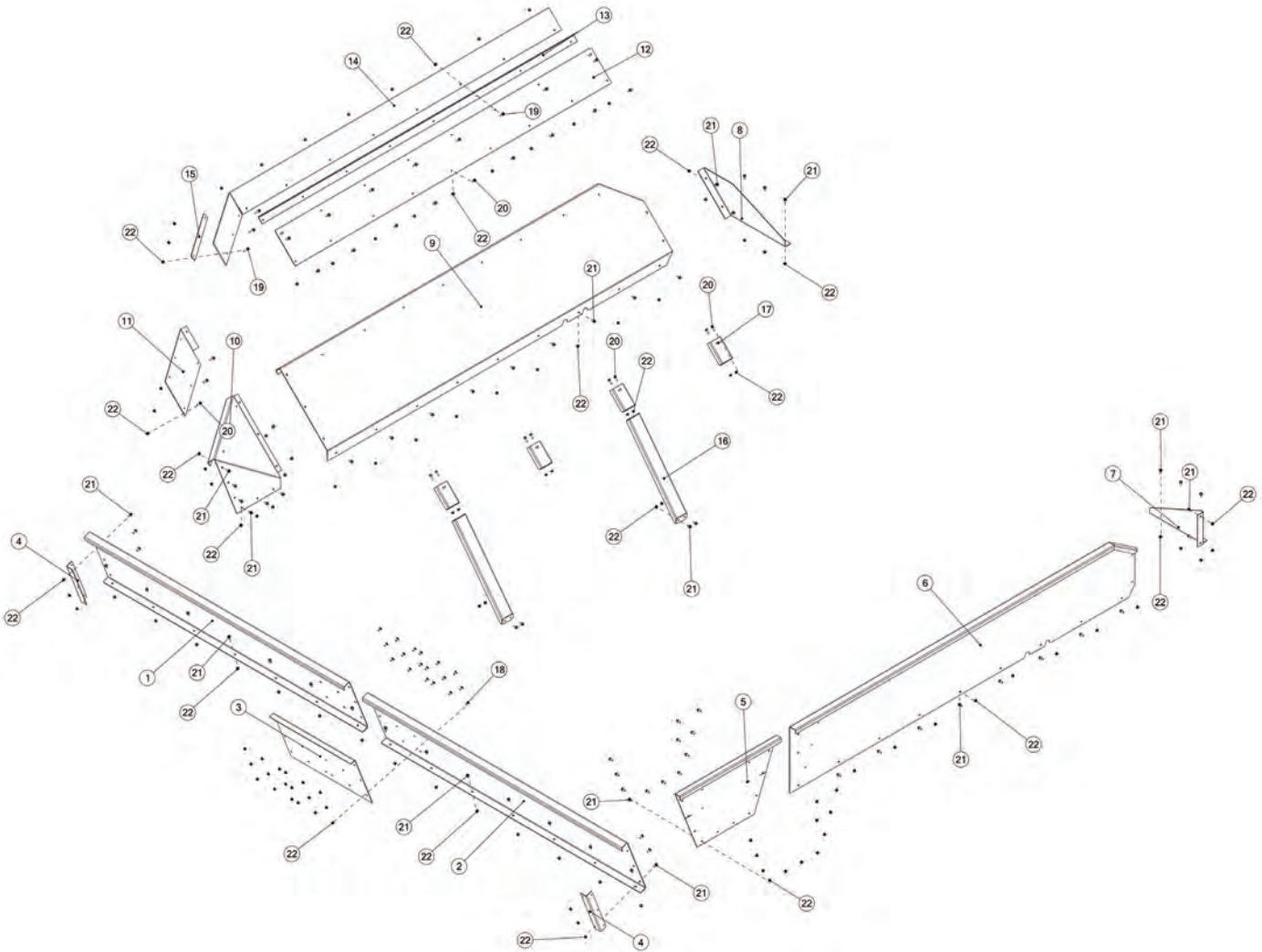




# FIGURE 17

OPTIONAL DUMPING EXTENSION FOR UNLOADING INTO A 36' SEMI-TRAILER (HDBODE36)

## FRONT BOX



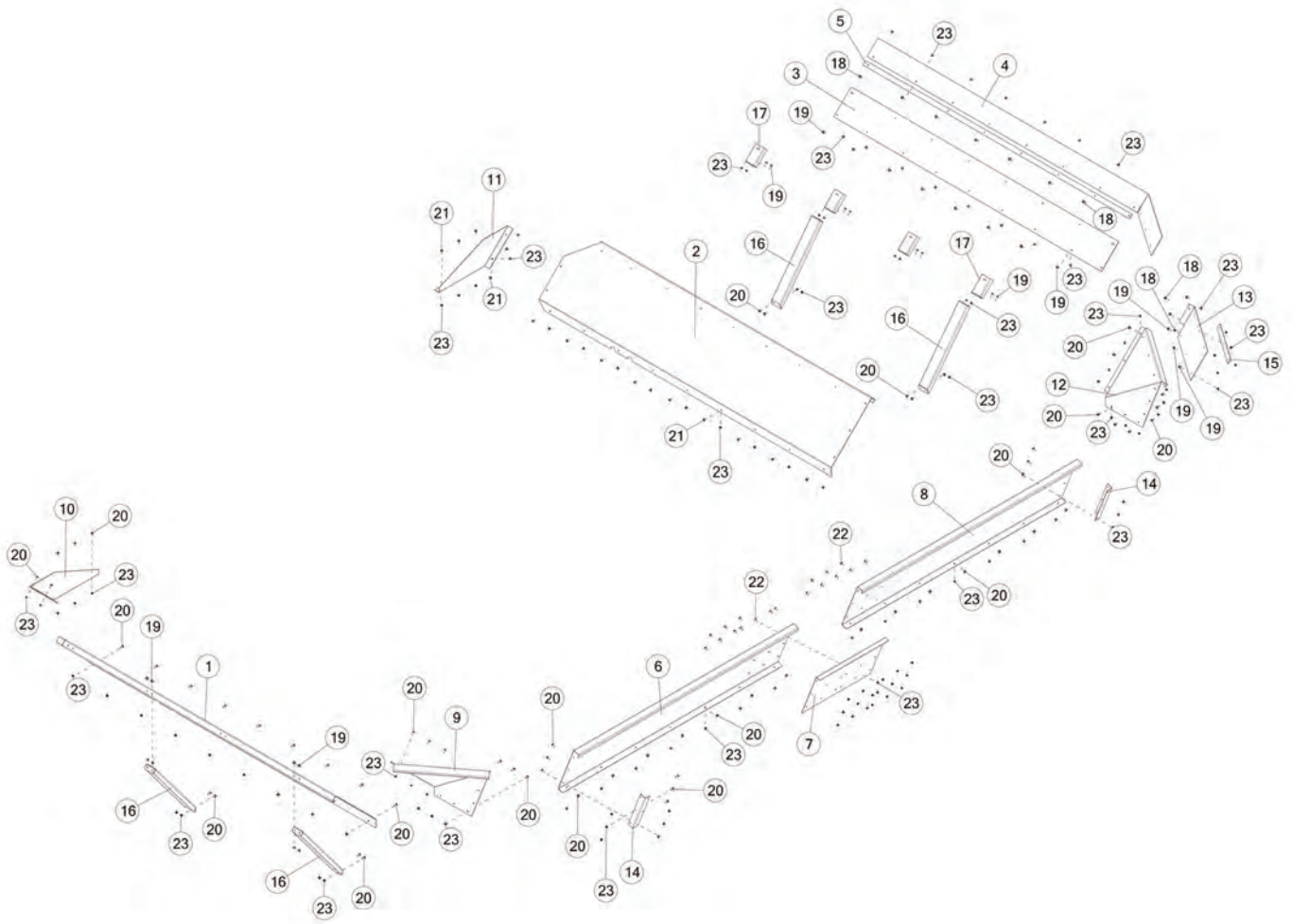




# FIGURE 18

OPTIONAL DUMPING EXTENSION FOR UNLOADING INTO A 40' SEMI-TRAILER (HDBODE40)

## REAR BOX





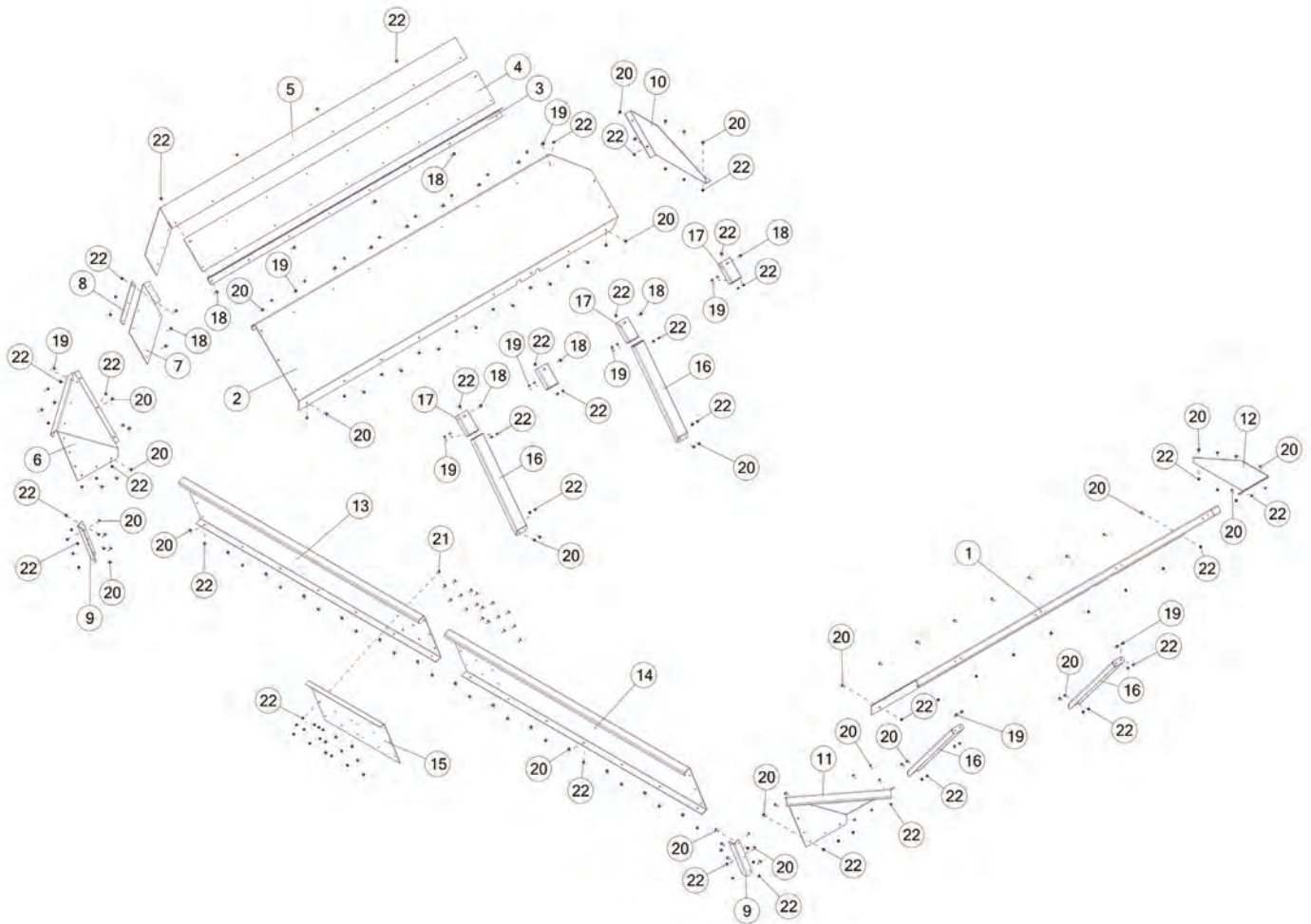




# FIGURE 18

OPTIONAL DUMPING EXTENSION FOR UNLOADING INTO A 40' SEMI-TRAILER (HDBODE40)

## FRONT BOX

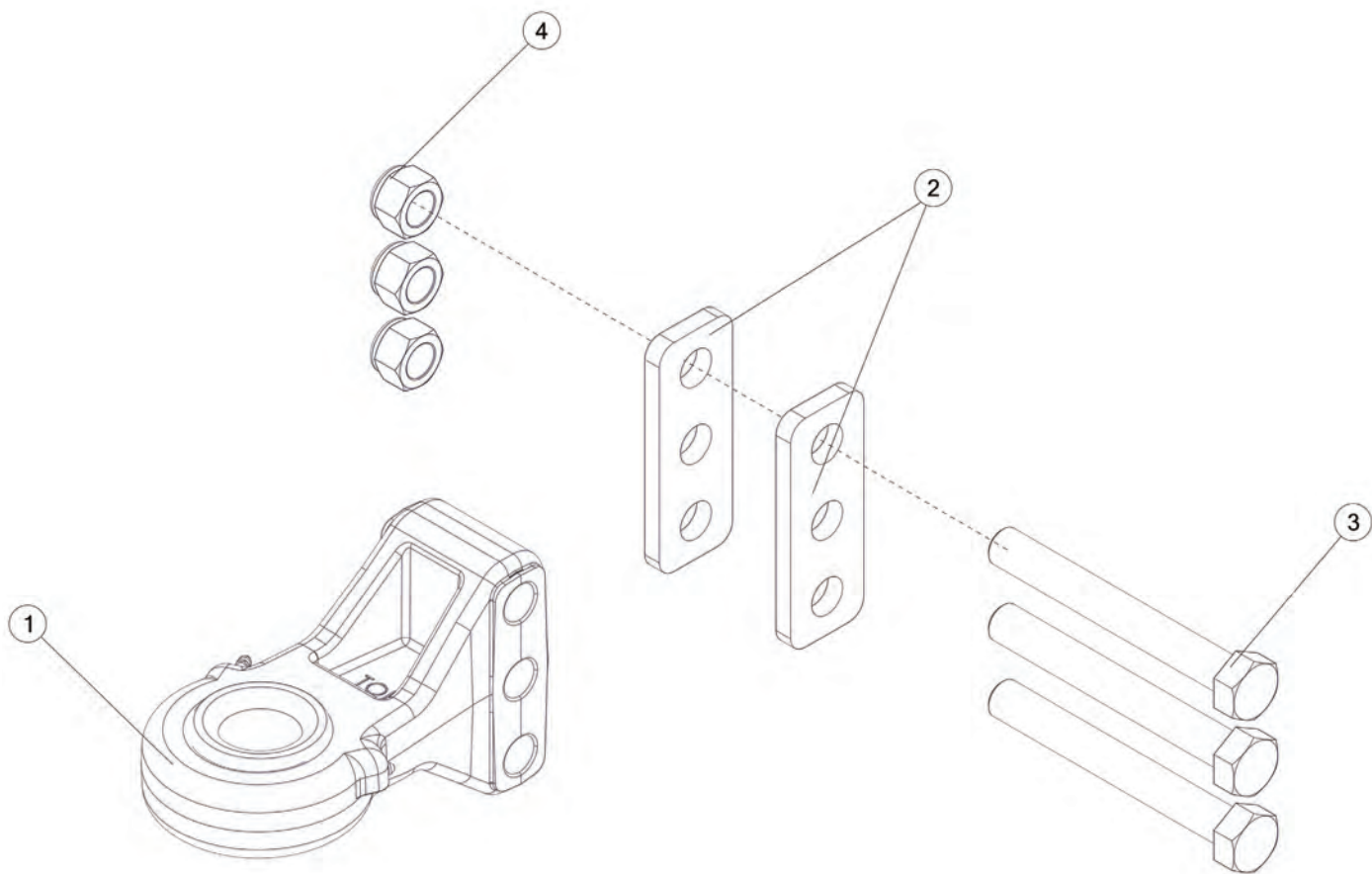






# FIGURE 19

## OPTIONAL CATEGORY 4 BULLNOSE HITCH (HTCHB4)

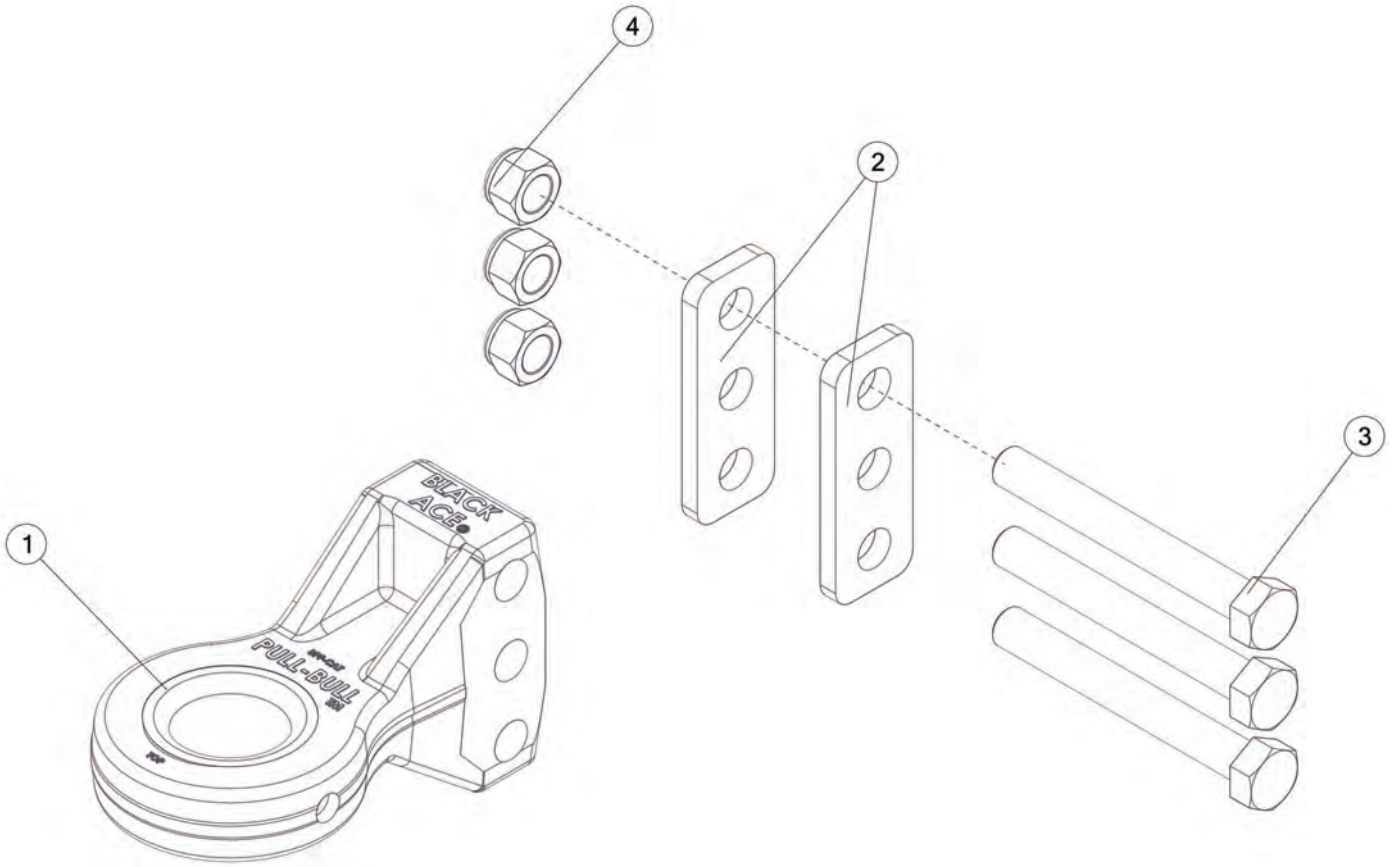






# FIGURE 20

## OPTIONAL CATEGORY 5 BULLNOSE HITCH (HTCHB5)





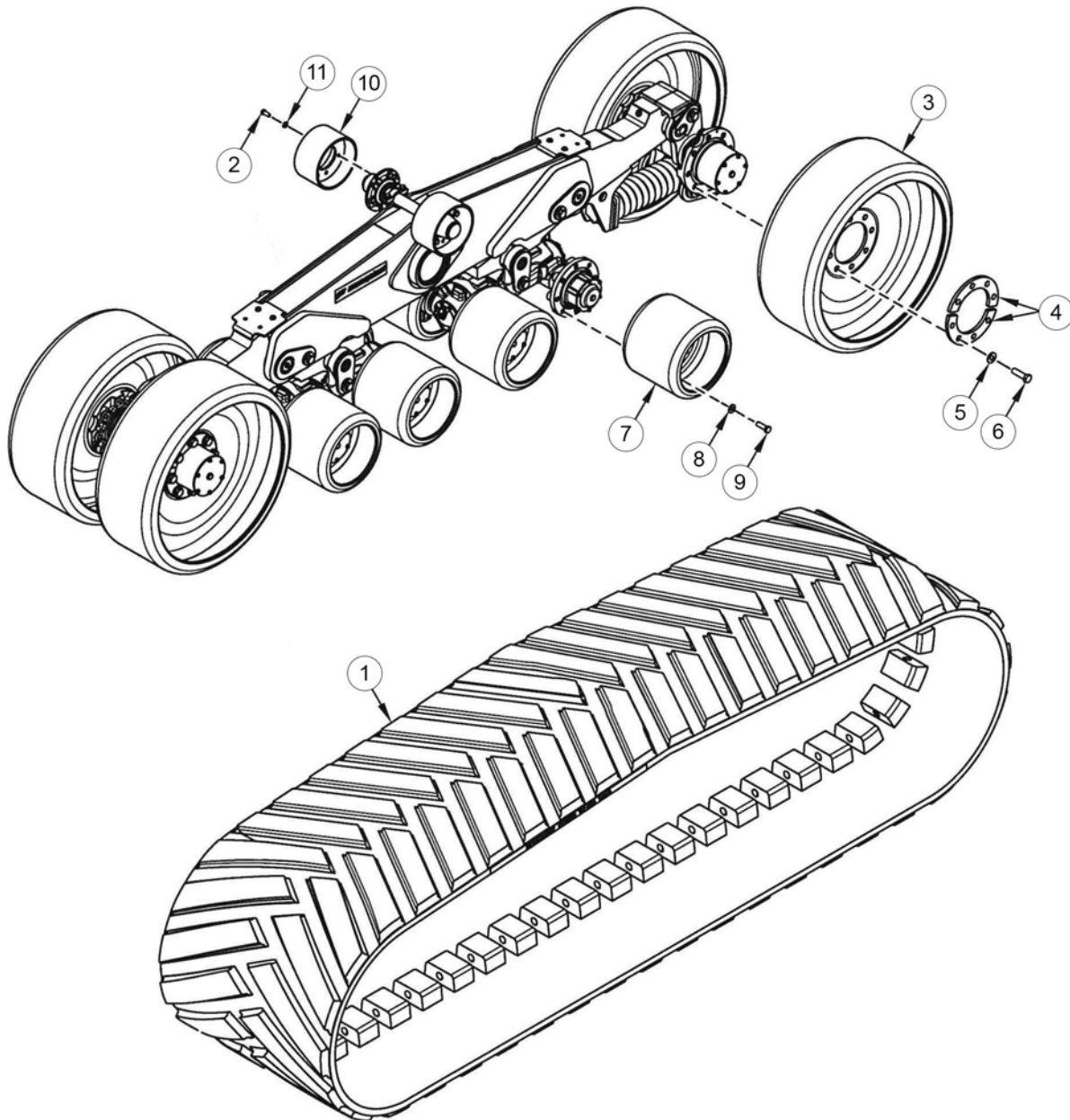


# TRACK SYSTEM





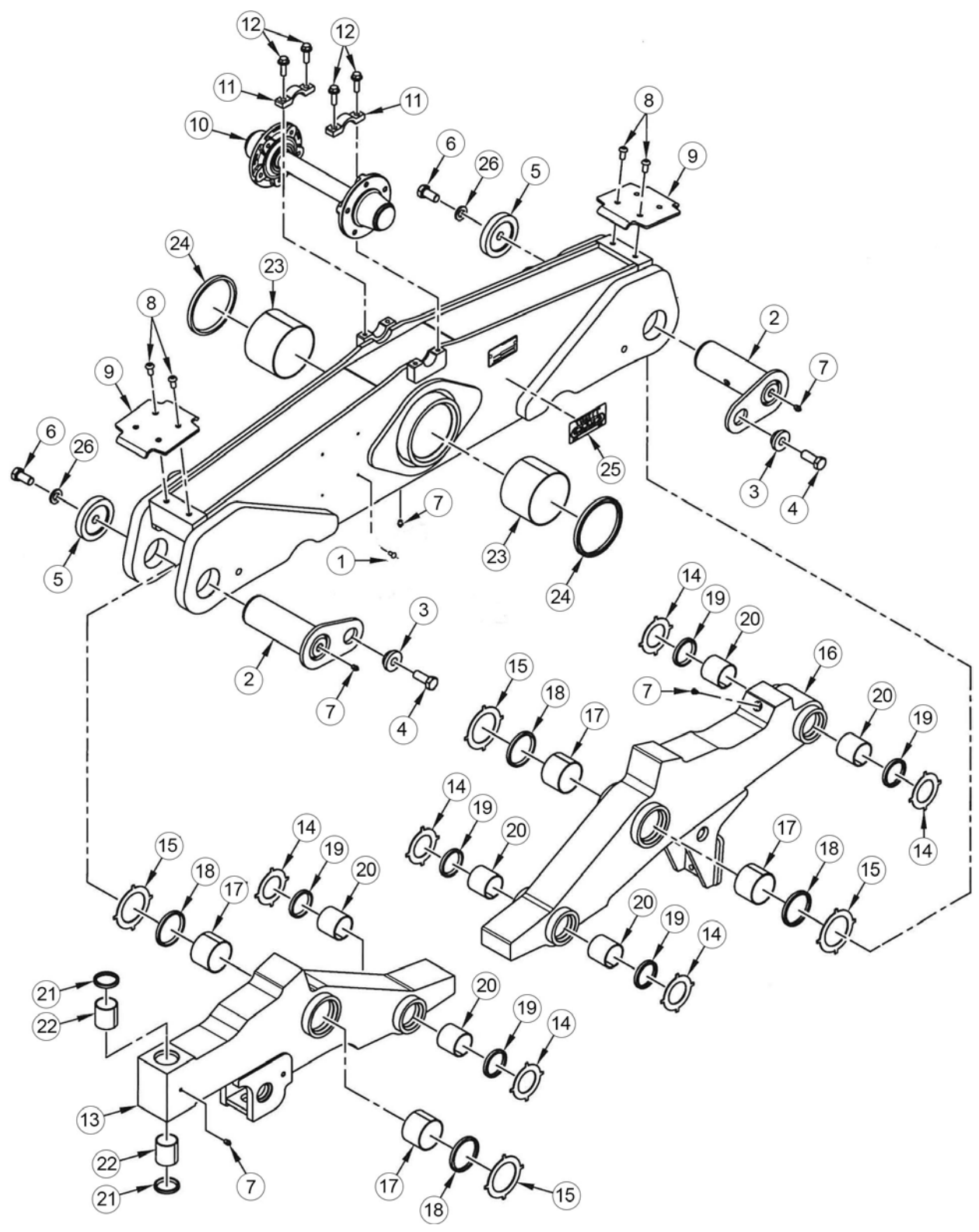
**FIGURE 1**  
**TRACK & UNDERCARRIAGE**





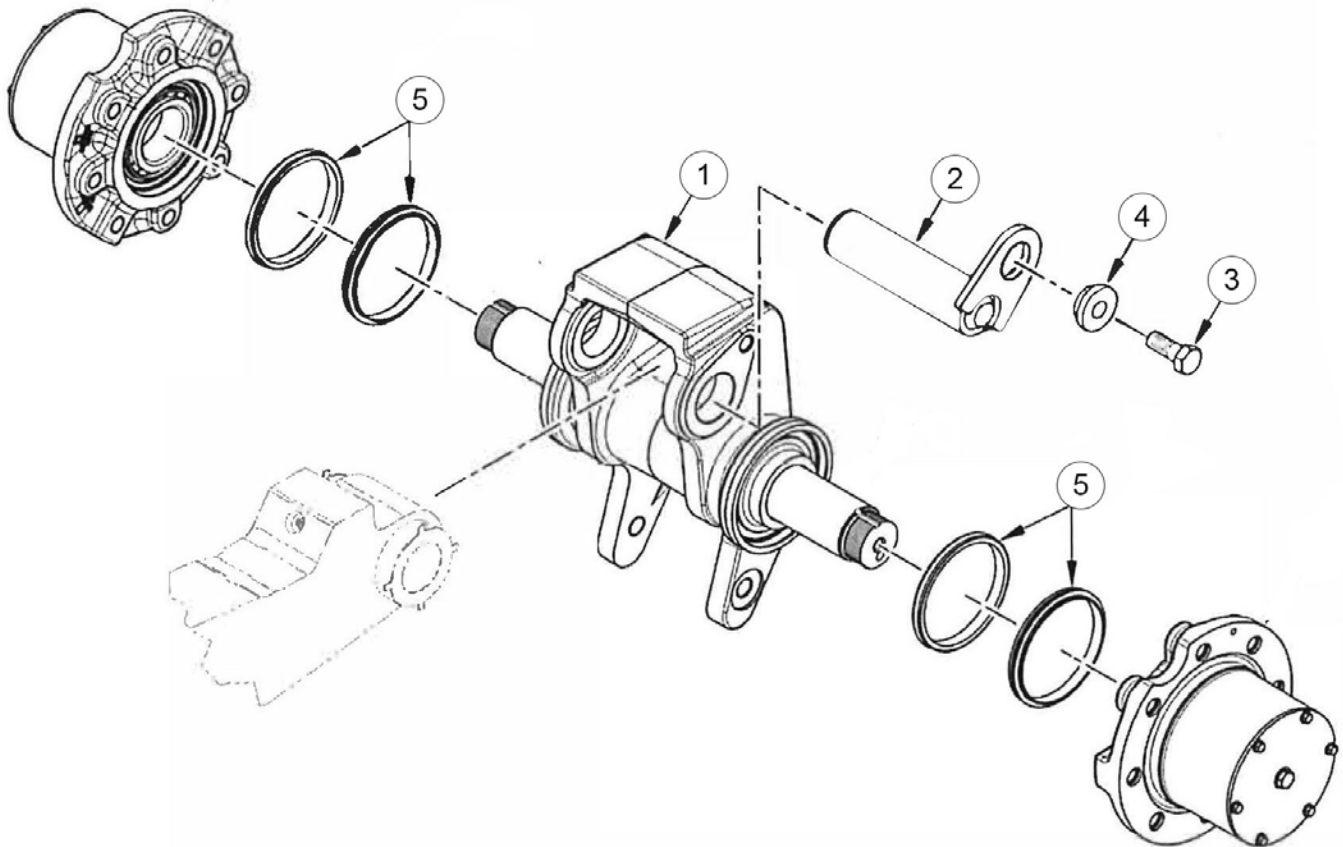


**FIGURE 2**  
**FRAME ASSEMBLY**





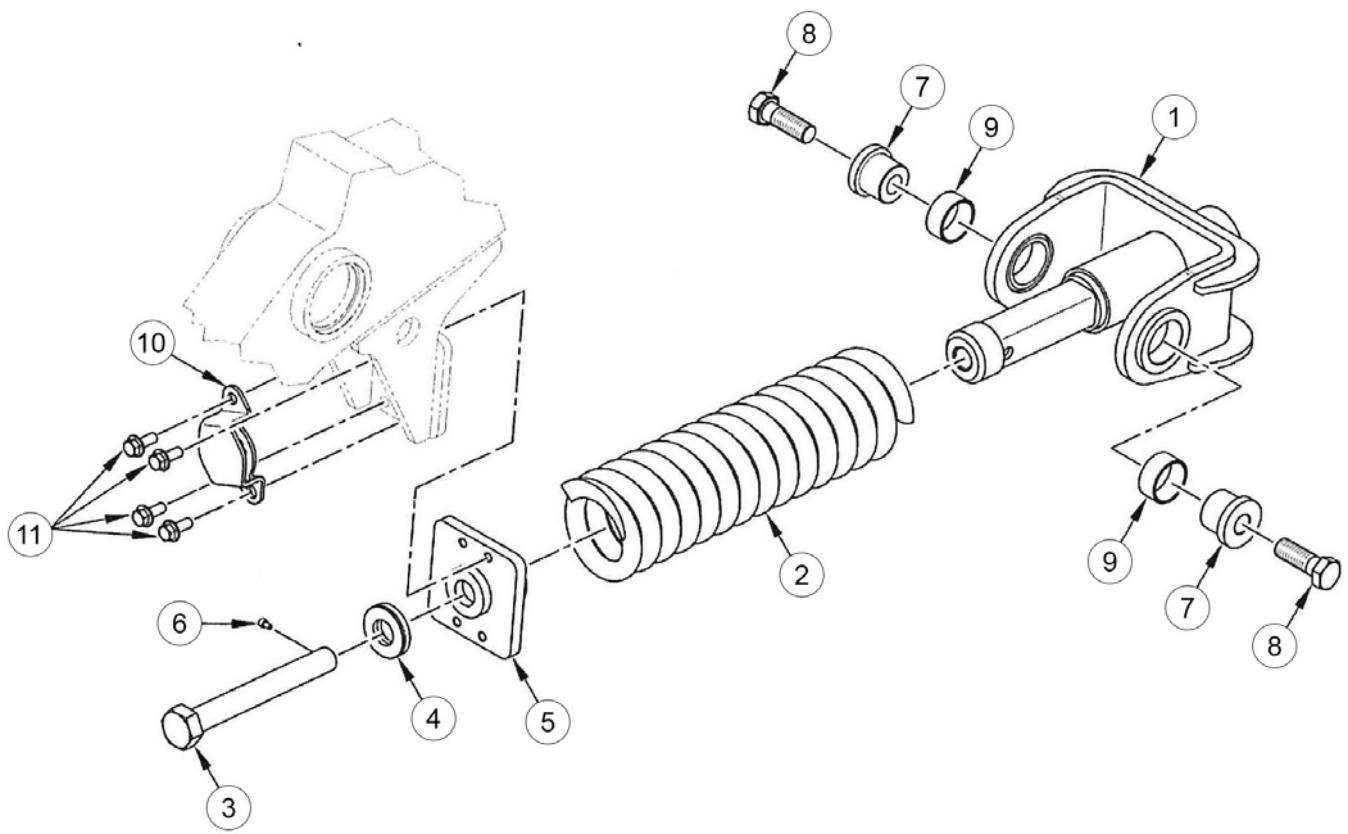




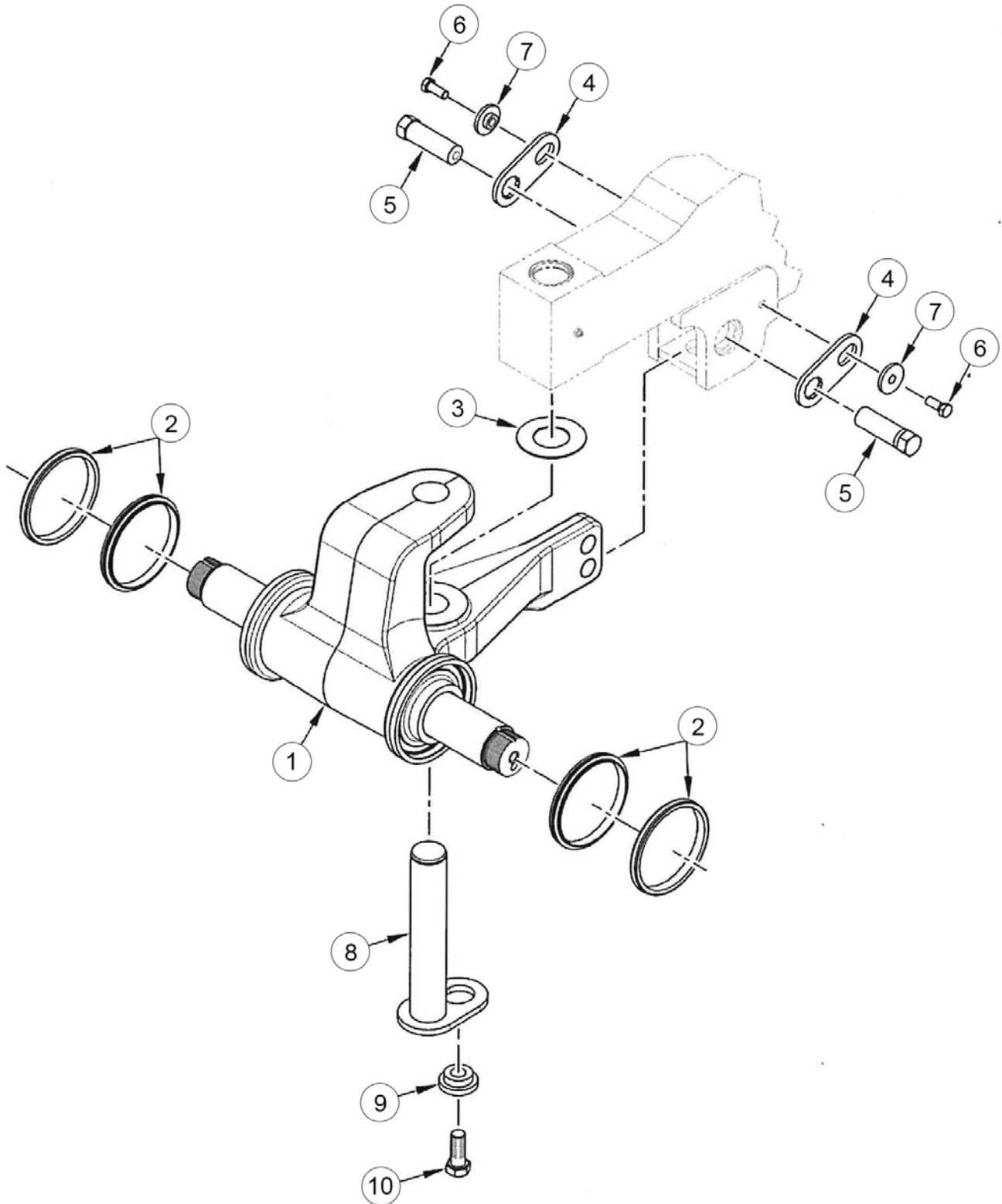




**FIGURE 4**  
**TENSIONER ASSEMBLY**





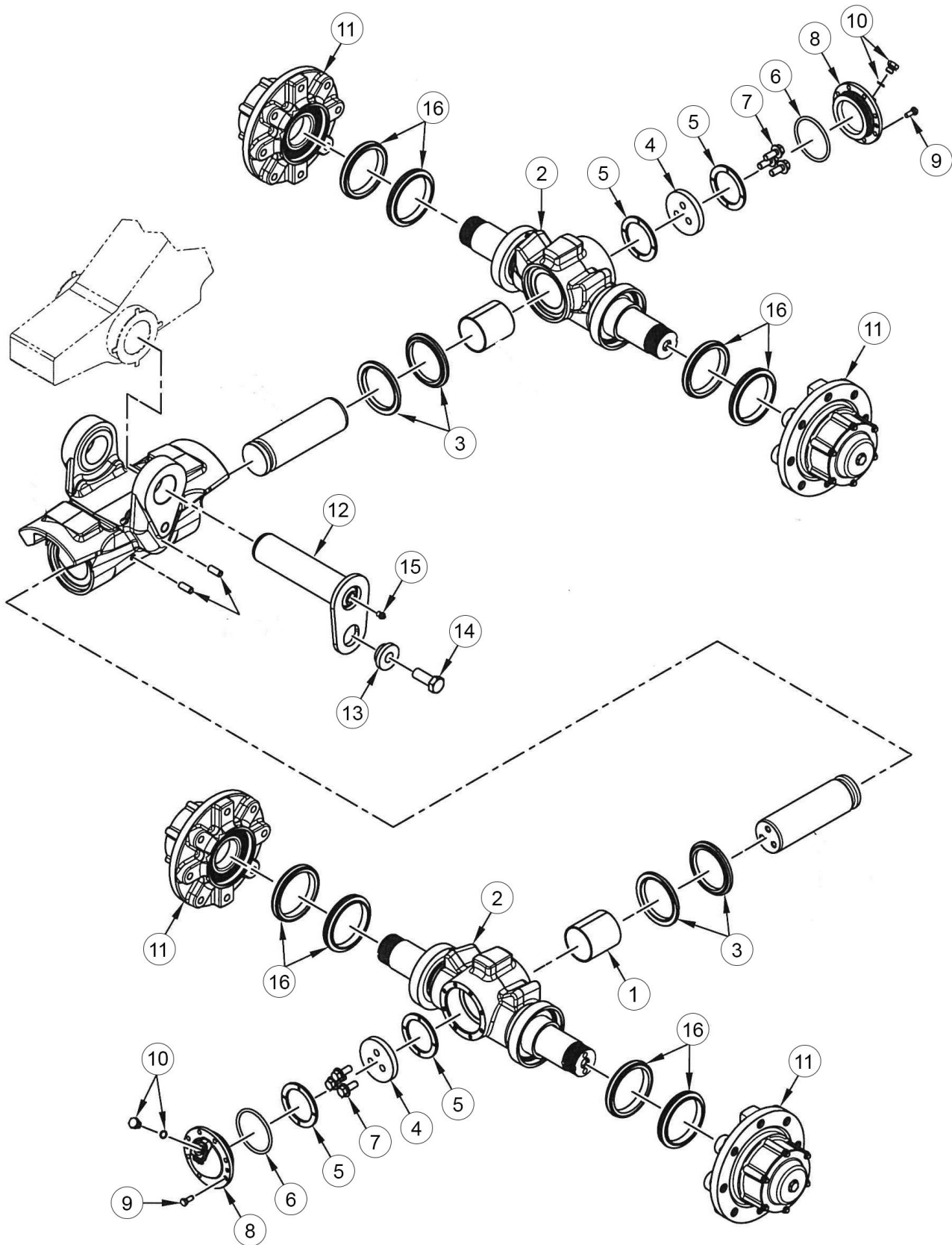




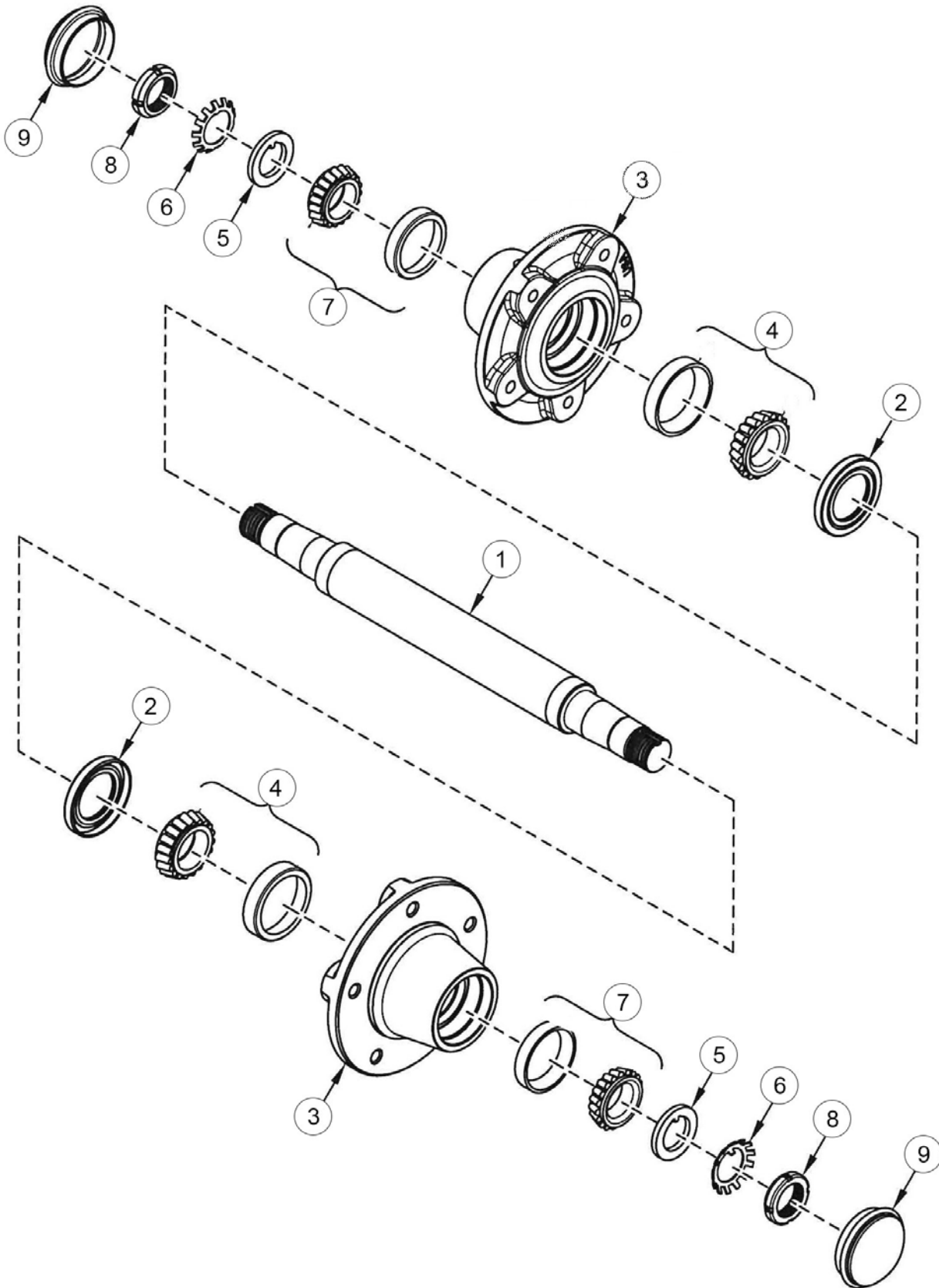




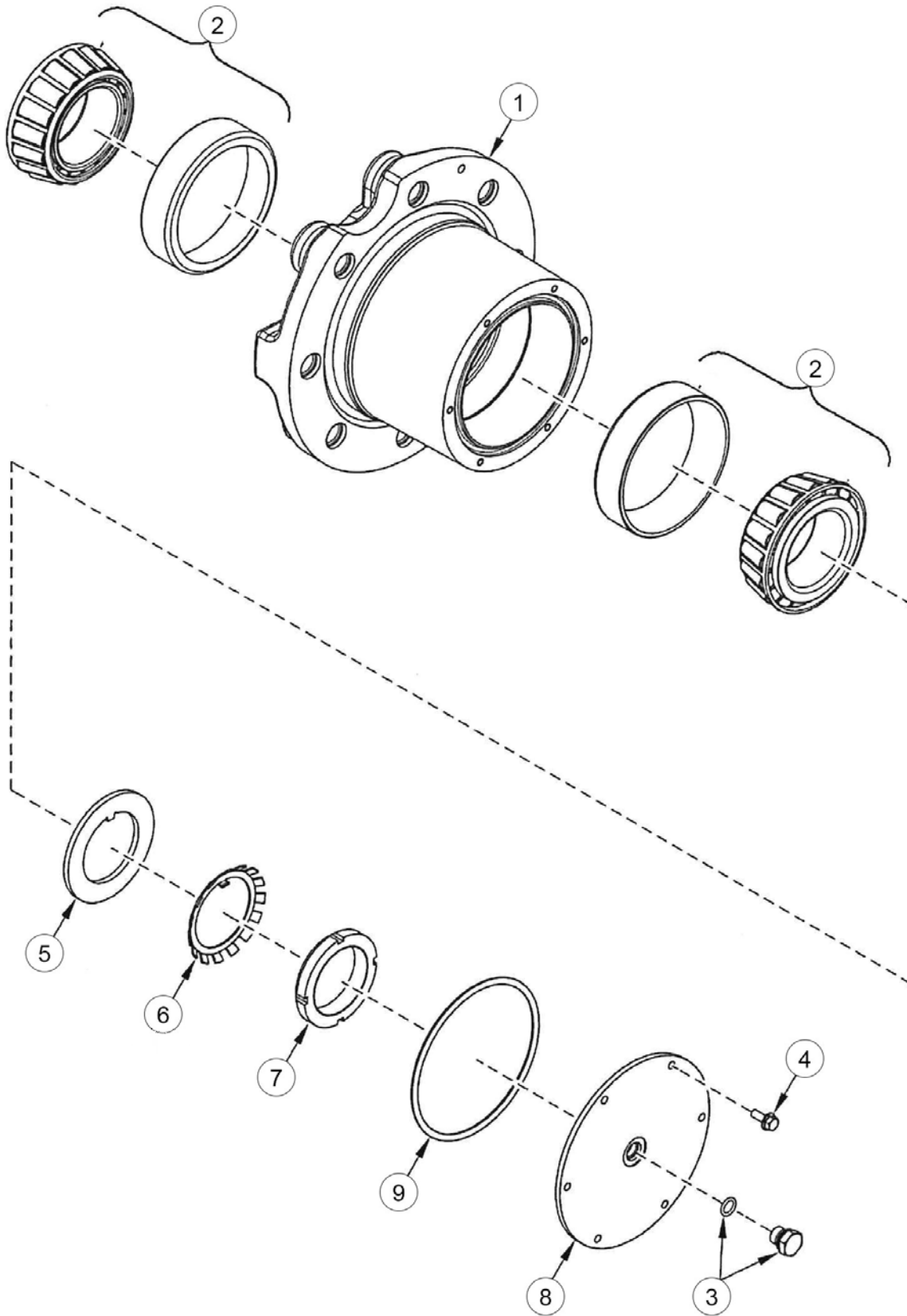
**FIGURE 6**  
**BOGIE ASSEMBLY MID-ROLLER**









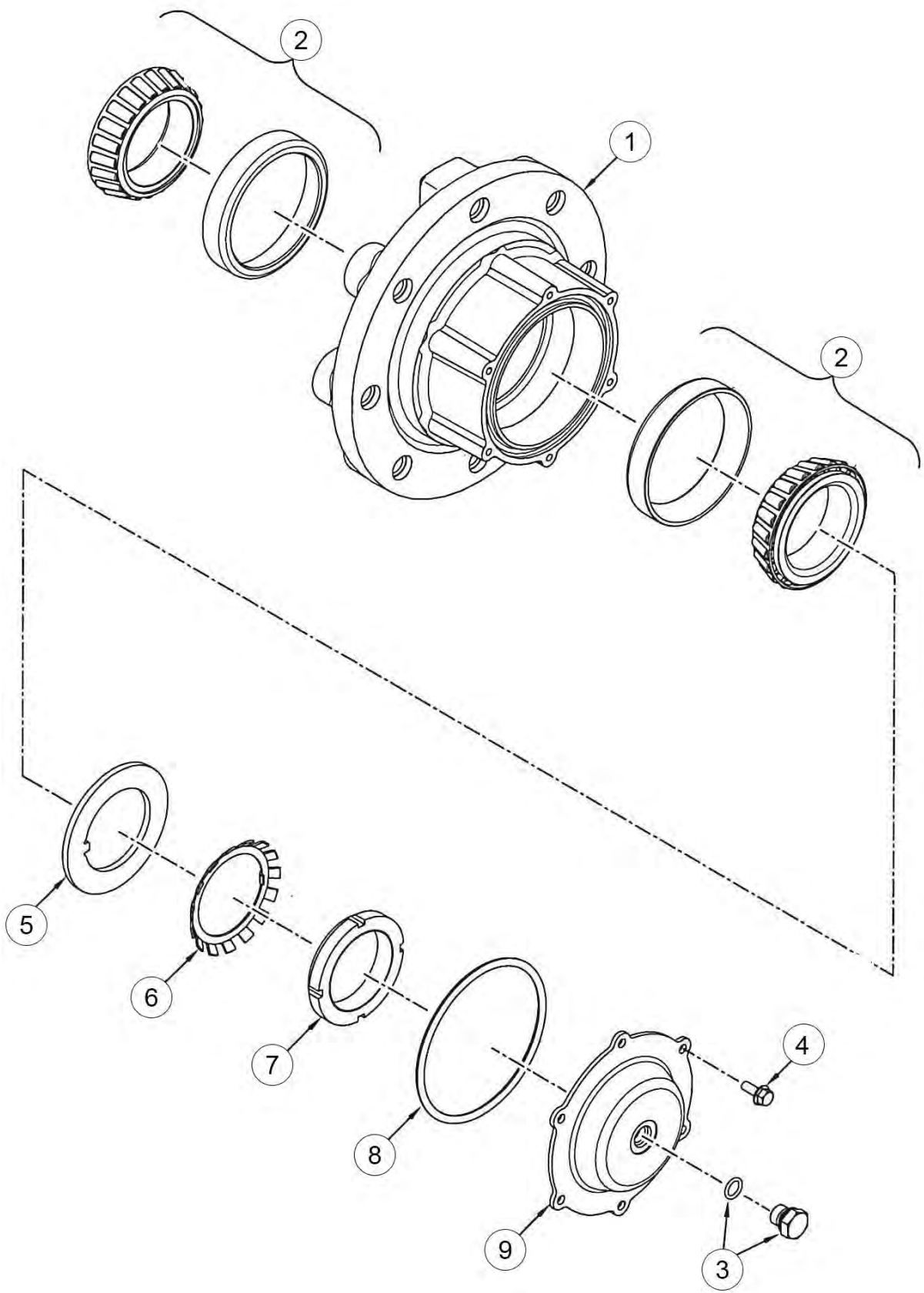




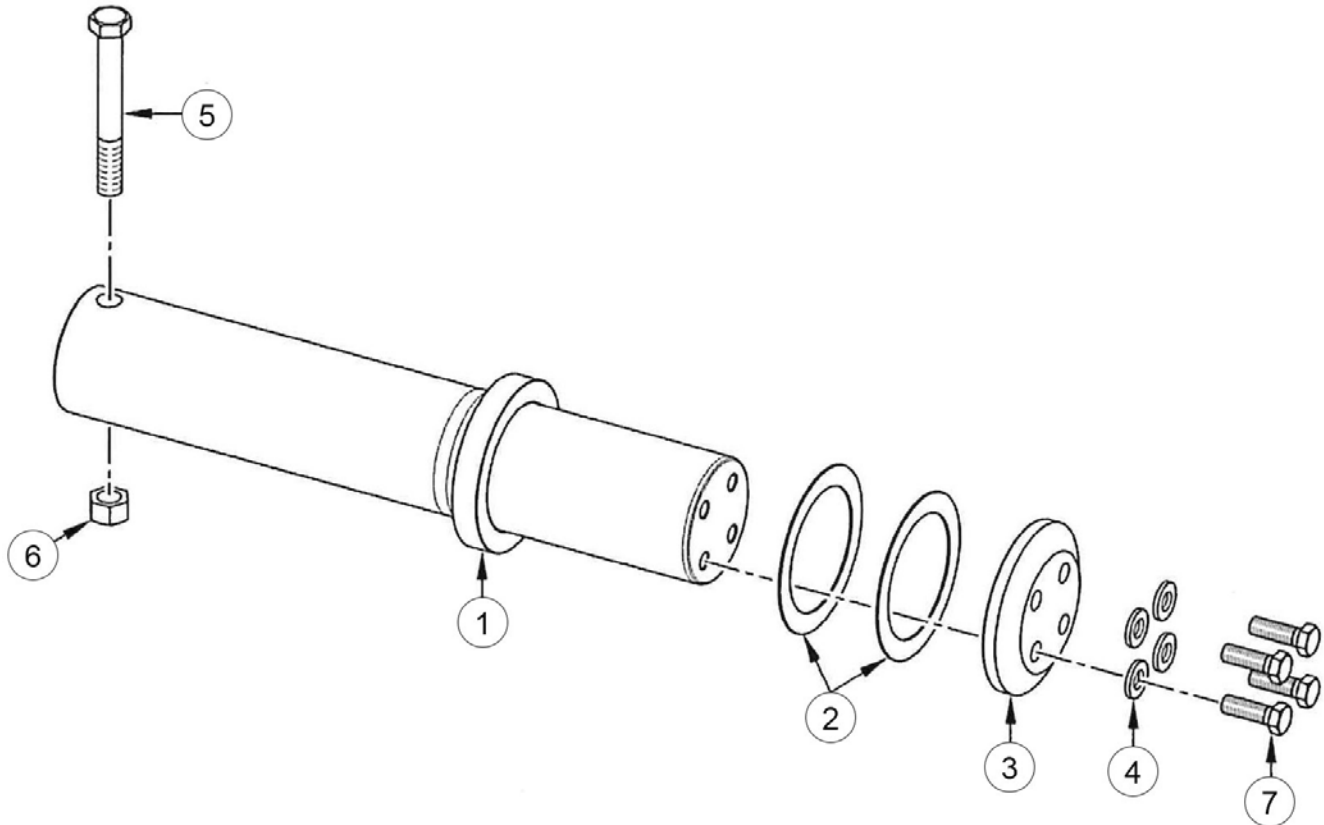




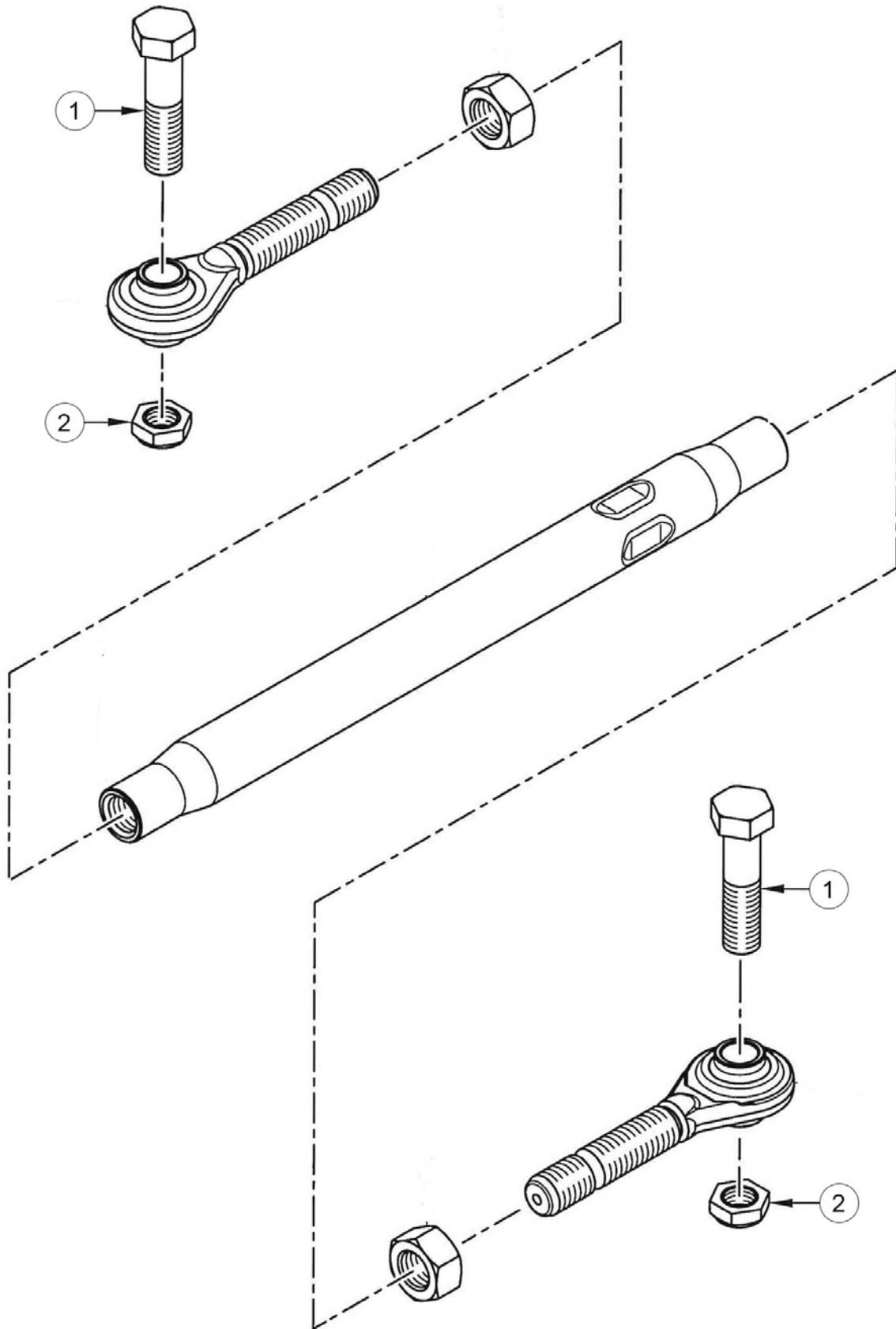
**FIGURE 9**  
**HUB MID-ROLLER**



















H&S MFG. CO.  
products approved  
for the  
FEMA  
SEAL OF QUALITY



Manufactured by:  
H&S MANUFACTURING CO., INC.  
2608 S. HUME AVE. MARSHFIELD, WI 54449  
(715) 387-3414 | hsmfgco.com

