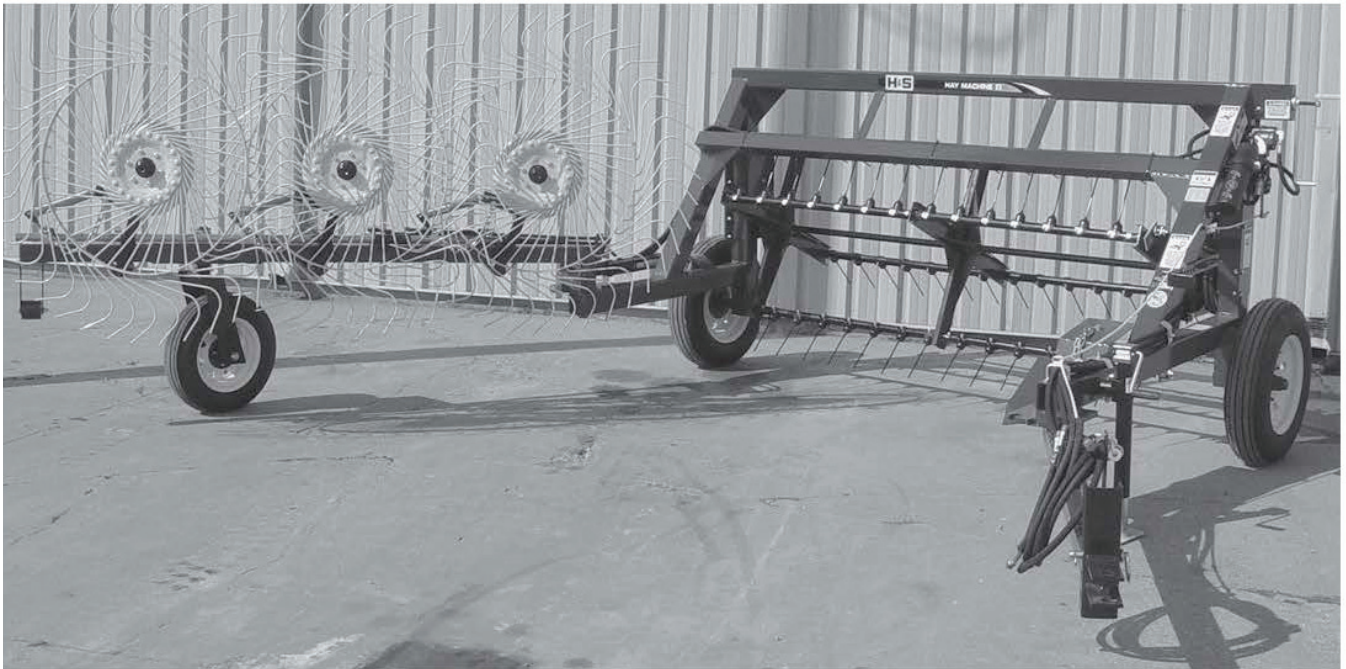


H&S

PARTS BOOK

HM7A HAYMACHINE II



Revision #01
Starting Ser. #711324

HSMFG0320

PART#83113

Manufactured By
H&S MANUFACTURING CO., INC.
2608 S. HUME AVE. MARSHFIELD, WI 54449
(715) 387-3414 FAX (715) 384-8736

CONTENTS

| | |
|--|-------|
| Instructions For Ordering Parts - About Improvements | 1 |
| Figure 1 - Main Frame Components. | 2-5 |
| Figure 2 - Reel & Components. | 6-9 |
| Figure 3 - Rake Beam | 10-13 |
| Figure 4 - Hydraulics | 14-15 |
| Figure 5 - Hydraulic Lift Cylinder. | 16-17 |
| Figure 6 - Hydraulic Open Cylinder.. . . . | 18-19 |
| Figure 7 - Optional Fourth Wheel Assembly. | 20-21 |
| Parts Notes. | 22 |

INSTRUCTIONS FOR ORDERING PARTS

All service parts should be ordered through your authorized H&S dealer. He will be able to give you faster service if you will provide them with the following:

1. Model & Serial Number - Both can be located on the left, rear main frame of your unit.
2. All references to left or right apply to the machine as viewed from the rear.
3. Parts should not be ordered from illustration only. Please order complete part number.
4. If your dealer has to order parts - give shipping instructions:

VIA truck - large pieces (please specify local truck lines)

VIA United Parcel Service (include full address)

| | |
|-------------------|----------------------|
| H&S MFG. CO. INC. | |
| MARSHFIELD, WIS. | |
| MOD. NO. | <input type="text"/> |
| SER. NO. | <input type="text"/> |
| DESCR. | <input type="text"/> |

PLEASE RECORD NUMBERS FOR YOUR UNIT FOR QUICK REFERENCE

ABOUT IMPROVEMENTS

H&S IS CONTINUALLY STRIVING TO IMPROVE IT'S PRODUCTS

We must therefore, reserve the right to make improvements or changes whenever it becomes practical to do so, without incurring any obligation to make changes or additions to the equipment previously sold.

FIGURE 1 MAIN FRAME COMPONENTS

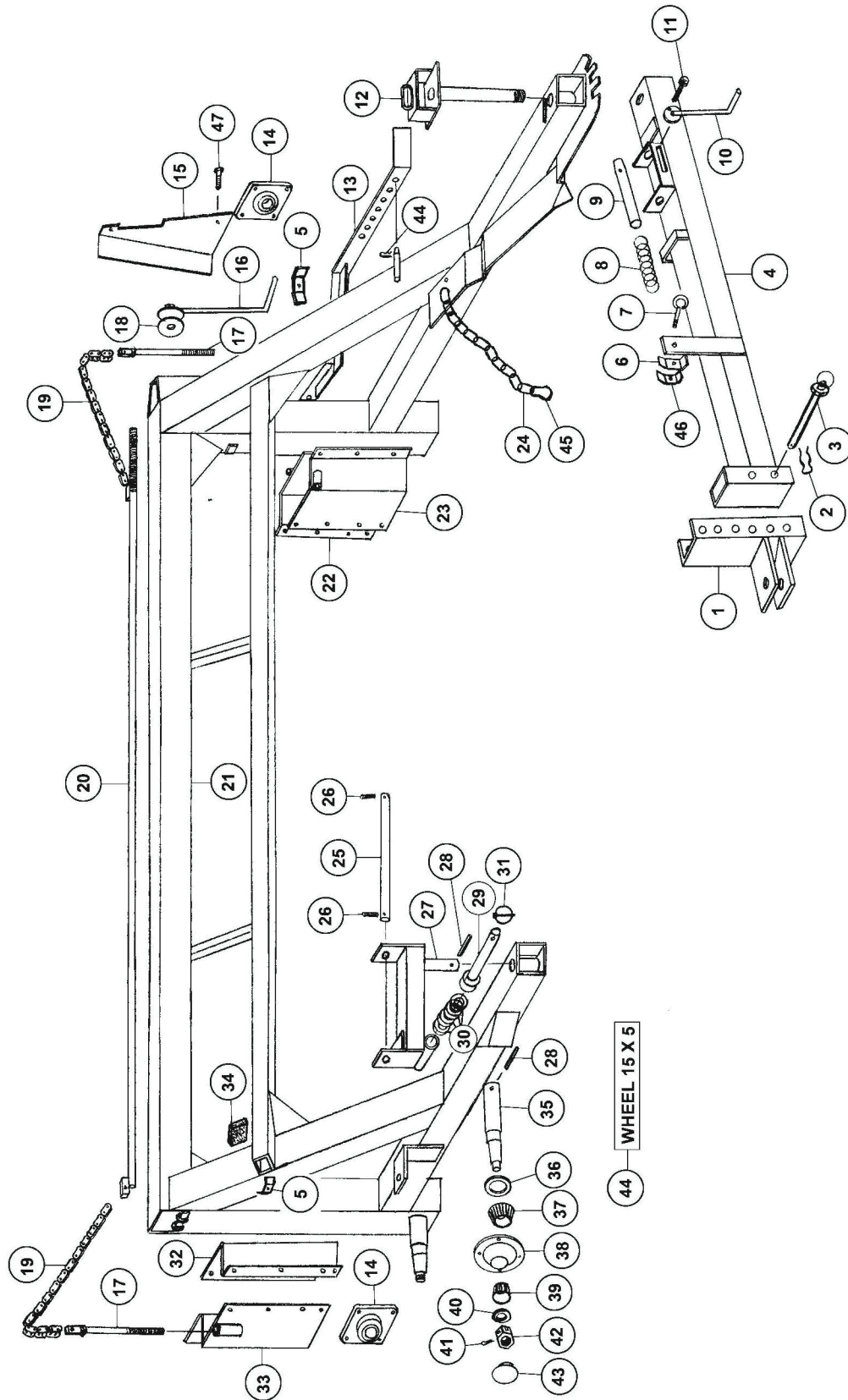


FIGURE 1

MAIN FRAME COMPONENTS

| <u>ITEM</u> | <u>QTY</u> | <u>PART#</u> | <u>DESCRIPTION</u> |
|-------------|------------|--------------|------------------------------|
| 1 | 1 | BFR129 | HITCH |
| 2 | 1 | YPHR02010 | HAIR PIN |
| 3 | 1 | BFR5 | HITCH PIN |
| 4 | 1 | T200 | POLE |
| 5 | 2 | T223 | HOSE CLAMP |
| 6 | 1 | HE42 | HOSE CLAMP |
| 7 | 1 | YBTE12015 | BOLT TURNED EYE, 3/8 X 2-1/2 |
| 8 | 1 | T201 | SPRING |
| 9 | 1 | T202 | POLE LATCH PIN |
| 10 | 1 | T203 | LATCH HANDLE |
| 11 | 1 | YBHH12120 | BOLT HEX, 3/8 X 3 G5 |
| 12 | 1 | T204 | POLE PIVOT PIN |
| 13 | 1 | T205 | TINE PITCH HANDLE |
| 14 | 2 | 33SV65 | BEARING |
| 15 | 1 | T206 | DRIVE BELT SHIELD |
| 16 | 1 | T207 | REEL LIFT CRANK |
| 17 | 2 | T208 | LIFTING BOLT |
| 18 | 1 | T209 | POLY WASHER |
| 19 | 2 | T210 | LIFTING CHAIN |
| 20 | 1 | T211 | LIFTING SHAFT |
| 21 | 1 | T212 | MAIN FRAME |
| 22 | 1 | T213 | REEL SLIDE OUTER LH |
| 23 | 1 | T214 | REEL SLIDE INNER LH |
| 24 | 1 | T215 | SAFETY CHAIN |
| 25 | 1 | T216 | YOKE PIN |
| 26 | 21 | YPEX10015 | EXPANSION PIN, 5/16 X 1-3/4 |
| 27 | 1 | T217 | YOKE |
| 28 | 1 | YPEX12025 | EXPANSION PIN, 3/8 X 2-3/4 |
| 29 | 1 | T218 | WIDTH ADJUSTER |
| 30 | 1 | T219 | ADJUSTMENT SPACER |
| 31 | 1 | YPLY08010 | LYNCH PIN, 1/4 X 1-1/2 |
| 32 | 1 | T220 | INNER REEL SLIDE RH |
| 33 | 1 | T221 | OUTER REEL SLIDE RH |
| 34 | 1 | BFR344 | FOAM INSERT |
| 35 | 2 | T222 | SPINDLE |

FIGURE 1 MAIN FRAME COMPONENTS

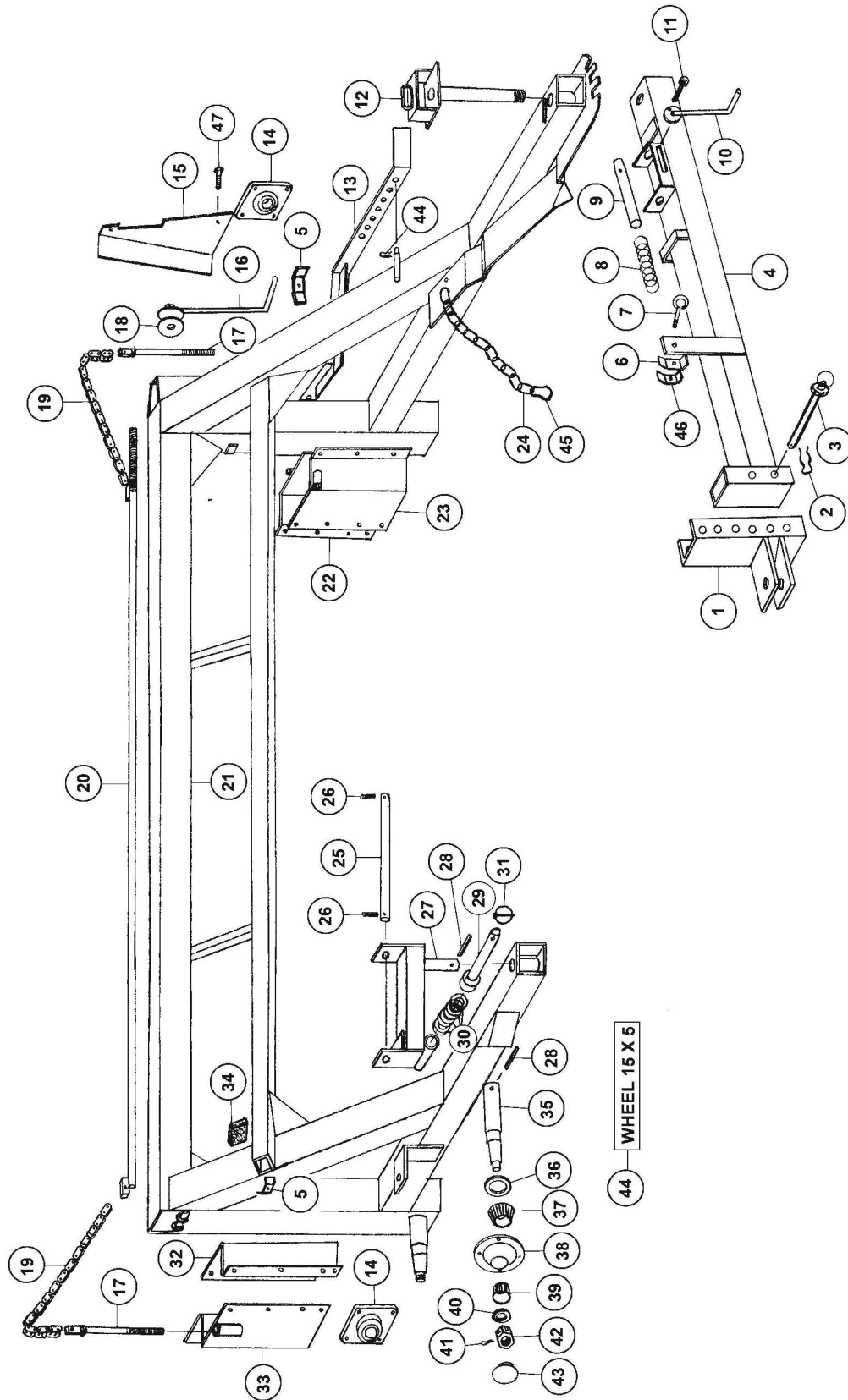


FIGURE 1

MAIN FRAME COMPONENTS

| <u>ITEM</u> | <u>QTY</u> | <u>PART#</u> | <u>DESCRIPTION</u> |
|-------------|------------|--------------|--------------------------|
| 36 | 2 | BFR57 | SEAL |
| 37 | 2 | BFR58 | INNER BEARING |
| * | 2 | BFR59 | INNER RACE |
| 38 | 2 | BFR60 | HUB |
| * | 2 | BFR75 | HUB ASSY, GROUND WHEEL |
| 39 | 2 | BFR62 | OUTER BEARING |
| * | 2 | BFR61 | OUTER RACE |
| 40 | 2 | YWFL24005 | WASHER, FLAT, 3/4 |
| 41 | 2 | YPCT05010 | COTTER PIN, 5/32 X 1-1/2 |
| 42 | 2 | YNSL24010 | HEX NUT, SLOTTED, 3/4 |
| 43 | 2 | BFR66 | HUB CAP |
| 44 | 2 | BFR67 | WHEEL 15 X 5 |
| 45 | 1 | YMSN10005 | SNAP HOOK, 5/16 |
| 46 | 1 | 23N67 | HOSE CLAMP |
| 47 | 1 | YBHH10105 | BOLT HEX, 5/16 X 3/4 G5 |

***MEANS NOT SHOWN**

FIGURE 2
REEL & COMPONENTS

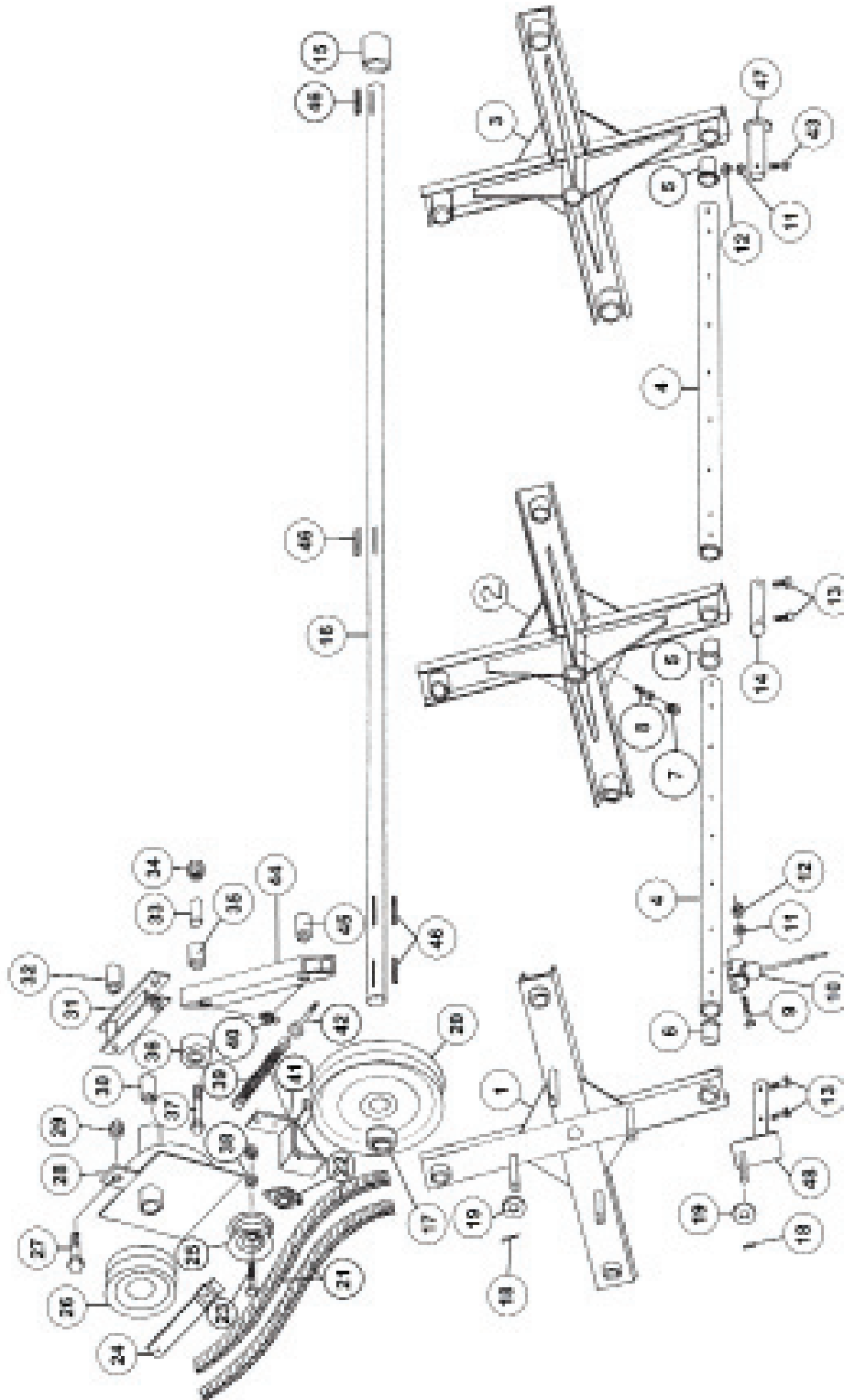


FIGURE 2

REEL & COMPONENTS

| <u>ITEM</u> | <u>QTY</u> | <u>PART#</u> | <u>DESCRIPTION</u> |
|-------------|------------|--------------|--------------------------|
| 1 | 1 | T74 | REEL CROSS LH |
| 2 | 1 | T75 | REEL CROSS CENTER |
| 3 | 1 | T76 | REEL CROSS RH |
| 4 | 2 | T784-8 | REEL PIPE - 8 HOLE |
| * | 2 | T784-9 | REEL PIPE - 9 HOLE |
| 5 | 2 | T78 | BUSHING |
| 6 | 1 | T79 | BUSHING |
| 7 | 1 | YNHX10005 | NUT HEX, 5/16 |
| 8 | 1 | T115 | SET SCREW FOR REEL |
| 9 | 1 | YBHH12100 | BOLT HEX, 3/8 X 2-1/4 G5 |
| 10 | 1 | T82 | RUBBER MOUNTED TEETH |
| 11 | 2 | YWLO12005 | WASHER LOCK, 3/8 |
| 12 | 2 | YNHX12005 | NUT HEX, 3/8 |
| 13 | 4 | YBHH12080 | BOLT HEX, 3/8 X 2 G5 |
| 14 | 1 | T85 | STUB SHAFT CENTER |
| 15 | 1 | T246 | SPACER |
| 16 | 1 | T224 | REEL SHAFT |
| 17 | 1 | T254 | SPACER, 1-1/4 |
| 18 | 2 | YPCT05010 | COTTER PIN, 5/32 X 1-1/2 |
| 19 | 2 | T73 | WASHER |
| 20 | 1 | T225 | PULLEY |
| 21 | 2 | T261 | V-BELT |
| 22 | 1 | T40 | BEARING |
| 23 | 1 | YBHH16115 | BOLT HEX, 1/2 X 3-1/2 G5 |
| 24 | 1 | T227 | DRIVE BELT TIGHTENER |
| 25 | 1 | K156 | PULLEY |

*MEANS NOT SHOWN

FIGURE 2
REEL & COMPONENTS

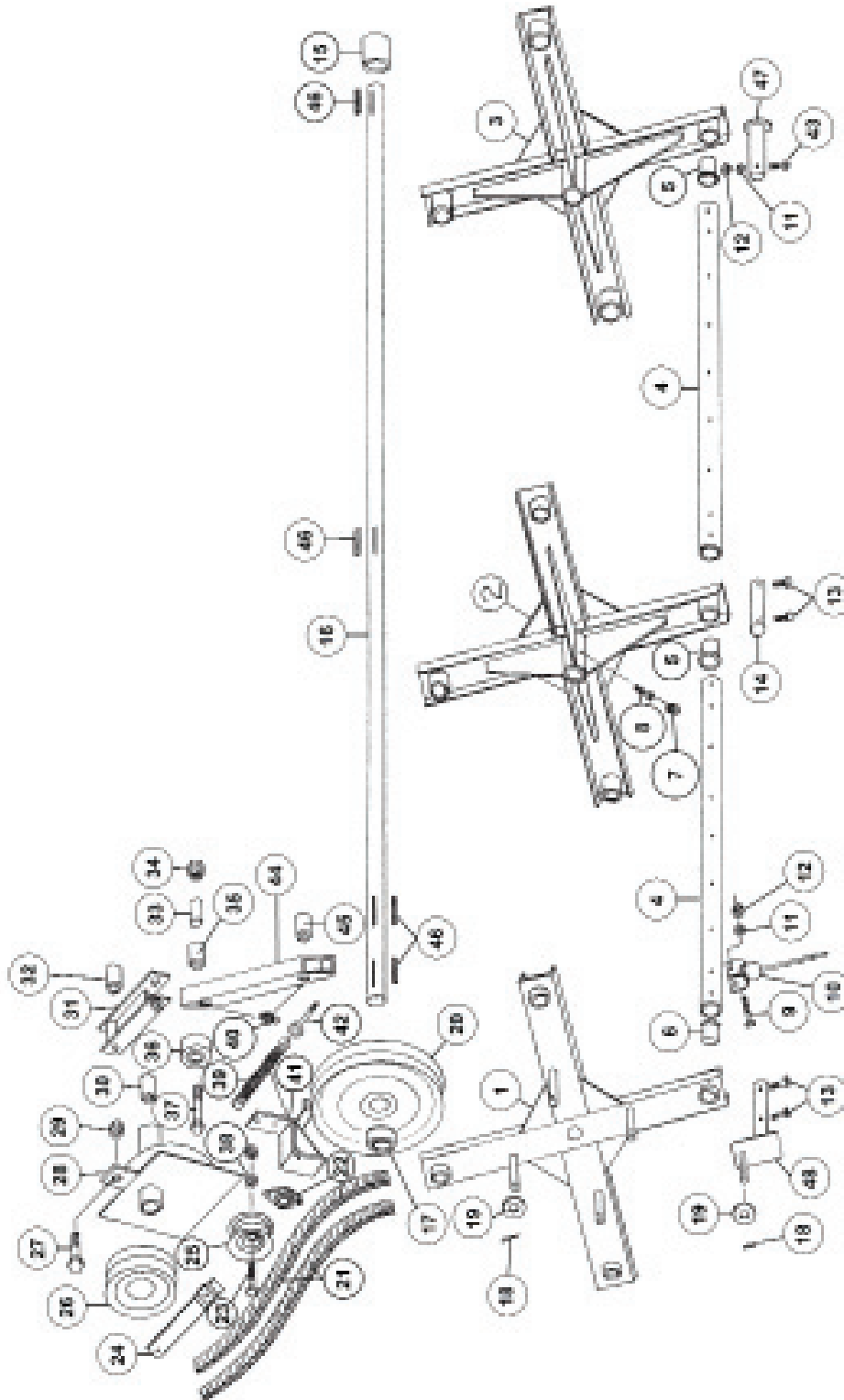


FIGURE 2

REEL & COMPONENTS

| <u>ITEM</u> | <u>QTY</u> | <u>PART#</u> | <u>DESCRIPTION</u> |
|-------------|------------|--------------|----------------------------------|
| 26 | 1 | T252 | PULLEY |
| 27 | 1 | YBHH20010 | BOLT HEX, 5/8 X 1-1/2 G5 |
| 28 | 1 | T64 | CAM ASSEMBLY |
| 29 | 1 | YNL20005 | NUT HEX, TOP LOCK, 5/8 |
| 30 | 1 | T63 | BRONZE BUSHING |
| 31 | 1 | T59 | CAM ARM, SHORT |
| 32 | 1 | T58 | BRONZE BUSHING |
| 33 | 1 | T122 | STEEL BUSHING |
| 34 | 1 | YNL20005 | NUT HEX, 5/8 |
| 35 | 1 | T52 | BRONZE BUSHING 3/4 |
| 36 | 1 | T66 | CAM ROLLER BEARING |
| 37 | 1 | YBHH20065 | BOLT HEX, 5/8 X 4 G5 |
| 38 | 2 | YNL16005 | NUT HEX, TOP LOCK, 1/2 |
| 39 | 1 | ST36 | SPRING |
| 40 | 2 | T67 | LONG GREASE ZERK |
| 41 | 1 | T228 | BEARING MOUNT |
| 42 | 1 | YBTE10025 | BOLT TURNED EYE, 5/16-18 X 2-3/4 |
| 43 | 1 | YBHH12075 | BOLT HEX, 3/8 X 2 G5 |
| 44 | 1 | T53 | CAM ARM, LONG |
| 45 | 1 | T52 | BUSHING |
| 46 | 1 | T50 | KEY |
| 47 | 4 | T83 | STUB SHAFT RH |
| 48 | 1 | T80 | STUB SHAFT LH |

FIGURE 3
RAKE BEAM

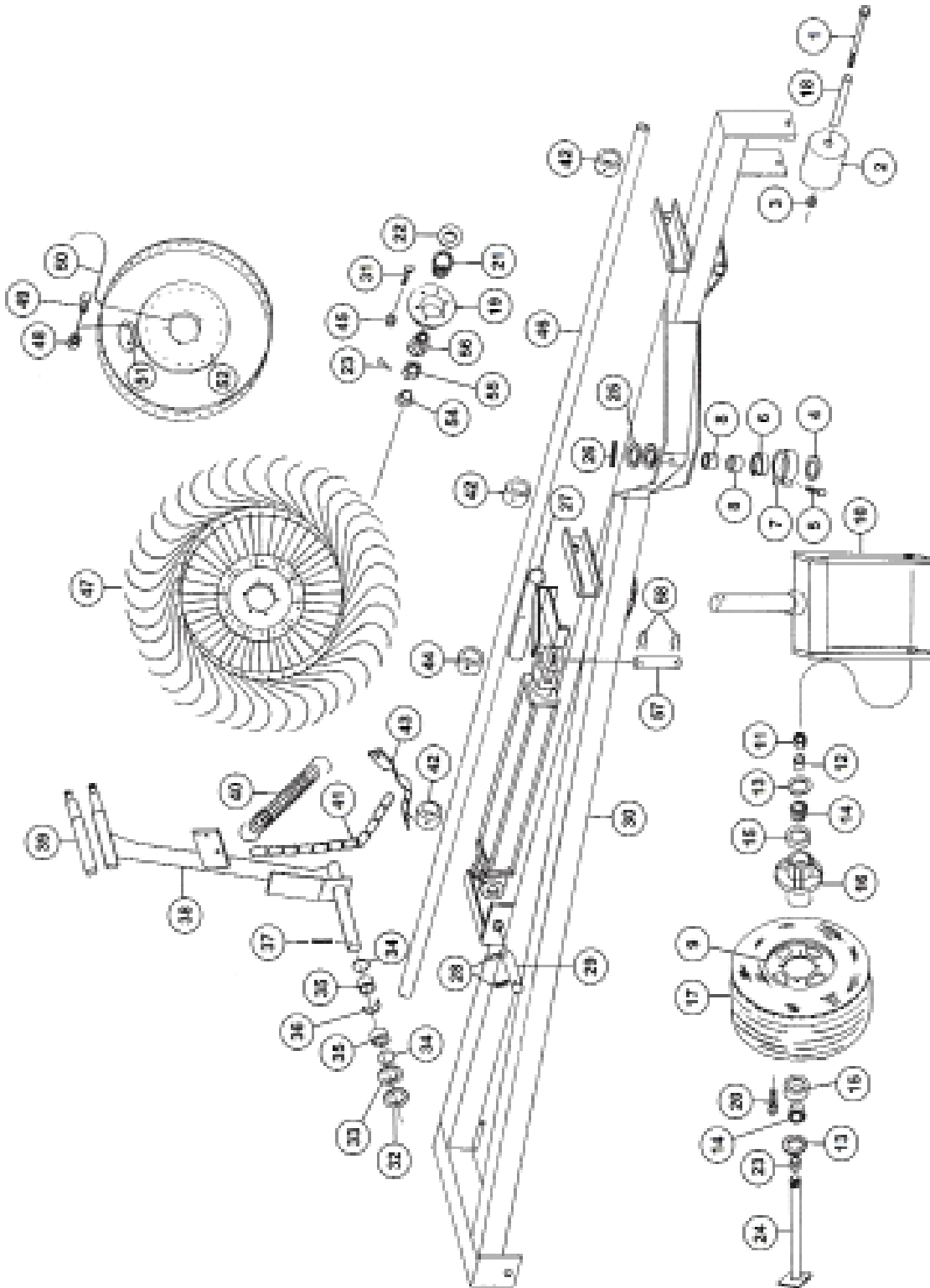


FIGURE 3 RAKE BEAM

| <u>ITEM</u> | <u>QTY</u> | <u>PART#</u> | <u>DESCRIPTION</u> |
|-------------|------------|--------------|---------------------------------|
| 1 | 1 | YBHH16140 | BOLT HEX, 1/2 X 4-1/2 G5 |
| 2 | 1 | BFR226 | POLY ROLLER |
| 3 | 1 | YNHX16005 | HEX NUT, 1/2 |
| 4 | 1 | BFR269 | BRONZE WASHER |
| 5 | 1 | YBHH12114 | BOLT HEX, 3/8 X 3 G2 |
| 6 | 1 | BFR267 | BRAKE PAD |
| 7 | 1 | BFR268 | BRAKE |
| 8 | 2 | BFR625 | BRONZE BUSHING |
| 9 | 1 | BFR280A | WHEEL 12 X 4 WHITE SPOKE 4 BOLT |
| 10 | 1 | BFR270 | COMPLETE FORK |
| 11 | 1 | YNNY32005 | NUT HEX, 1 |
| 12 | 1 | BFR272 | SPACER |
| 13 | 2 | BFR273 | SEAL |
| 14 | 2 | BFR274 | BEARING |
| 15 | 2 | BFR275 | RACE |
| 16 | 1 | BFR276 | HUB W/RACES |
| 17 | 1 | BFR277 | TIRE 5.3-12 LRB TUBELESS |
| 18 | 1 | T255 | AXLE ROLLER |
| 19 | 1 | BFR32 | HUB |
| 20 | 4 | BFR339 | LUG BOLT |
| 21 | 1 | 600012 | BEARING W/RACE |
| 22 | 1 | T163 | SEAL |
| 23 | 1 | BFR278 | SPACER |
| 24 | 1 | BFR279 | AXLE SHAFT |
| 25 | 2 | BFR179 | WASHER |
| 26 | 1 | YPEX10025 | EXPANSION PIN, 5/16 X 2-3/4 |
| 27 | 1 | T229 | HYDRAULIC LIFT BRACKET |
| 28 | 2 | YPCT05010 | COTTER PIN, 5/32 X 1-1/2 |
| 29 | 1 | PB13 | CYLINDER PIN |
| 30 | 1 | T230 | RAKE BEAM |
| 31 | 6 | YBHH76005 | BOLT HEX, HEX, M10-1.5 X 12 |
| 32 | 1 | BFR229 | STEEL WASHER |
| 33 | 1 | BFR221 | POLY WASHER |
| 34 | 2 | S99 | "O" RING |
| 35 | 2 | G16 | BUSHING |
| 36 | 1 | BFR230 | SPACER |
| 37 | 1 | YPEX10015 | EXPANSION PIN, 5/16 X 1-3/4 |
| 38 | 1 | T231 | RAKE WHEEL ARM |
| 39 | 1 | BFR36 | RAKE WHEEL SPINDLE |

FIGURE 3
RAKE BEAM

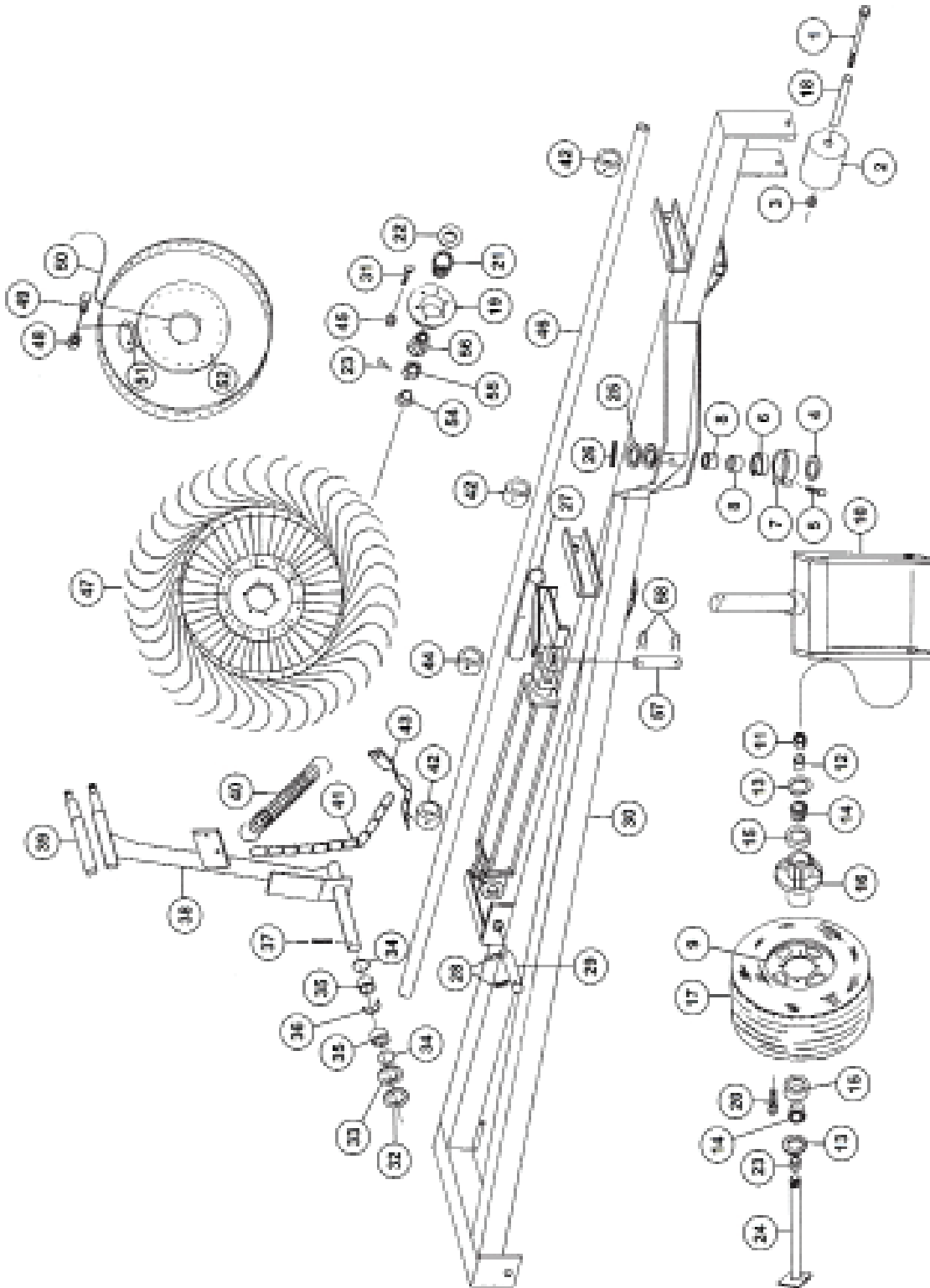


FIGURE 3 RAKE BEAM

| <u>ITEM</u> | <u>QTY</u> | <u>PART#</u> | <u>DESCRIPTION</u> |
|-------------|------------|--------------|----------------------------|
| 40 | 1 | BFR138 | SPRING |
| 41 | 1 | BFR140 | CHAIN |
| 42 | 3 | BFR82 | PIPE CLAMP |
| 43 | 1 | BFR256 | SPRING BRACKET RH |
| 44 | 1 | BFR83 | PIPE CLAMP |
| 45 | 6 | YNHX76015 | NUT HEX, 10MM |
| 46 | 1 | T232 | LIFTING PIPE |
| 47 | 1 | BFR31 | RAKE WHEEL RH |
| 48 | 1 | YNHX76015 | NUT HEX, 10MM |
| 49 | 1 | YBCR76005 | CARRIAGE BOLT, 10MM X 25MM |
| 50 | 1 | T176 | RAKE WHEEL TOOTH |
| 51 | 1 | T178 | RAKE TOOTH CLIP |
| 52 | 1 | T179 | RAKE WHEEL CENTER |
| 53 | 1 | YPCT05010 | COTTER PIN, 5/32 X 1-1/2 |
| 54 | 1 | T173 | HUB CAP |
| 55 | 1 | YNSL24010 | NUT HEX, SLOTTED, 3/4 |
| 56 | 1 | 600014 | BEARING W/RACE |
| 57 | 1 | T143 | CYLINDER PIN |
| 58 | 2 | T144 | CLIP PIN |
| 59 | 1 | T177 | OUTER RING |

***MEANS NOT SHOWN**

FIGURE 4
HYDRAULICS

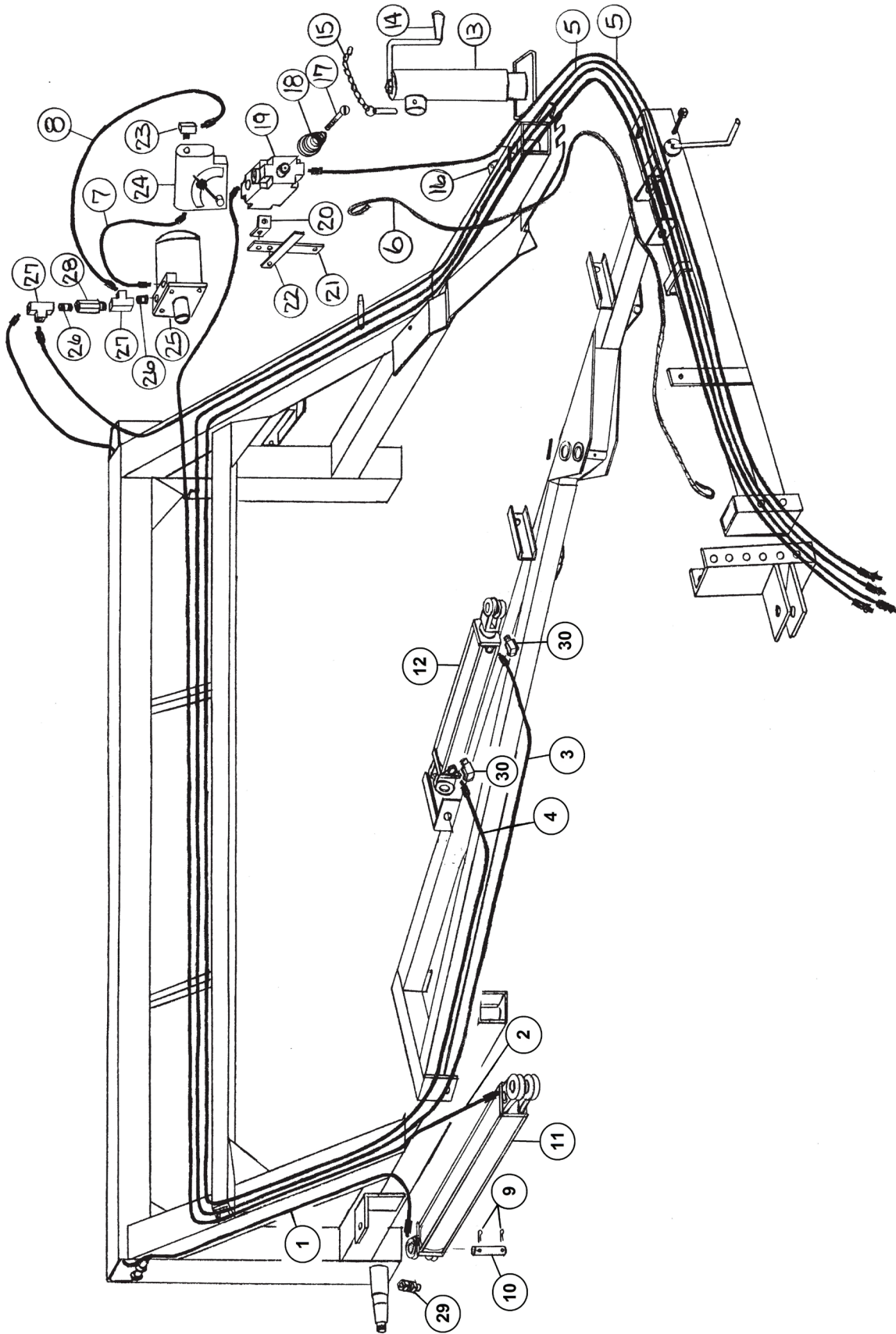


FIGURE 4 HYDRAULICS

| <u>ITEM</u> | <u>QTY</u> | <u>PART#</u> | <u>DESCRIPTION</u> |
|-------------|------------|--------------|-------------------------------------|
| 1 | 1 | T233 | HYDRAULIC HOSE, 168 |
| 2 | 1 | T234 | HYDRAULIC HOSE, 152 |
| 3 | 1 | T235 | HYDRAULIC HOSE, 390 |
| 4 | 1 | T236 | HYDRAULIC HOSE, 378 |
| 5 | 2 | T237 | HYDRAULIC HOSE, 192 |
| 6 | 1 | T238 | ROPE, NYLON 17 FEET |
| 7 | 1 | T239 | HYDRAULIC HOSE, 19 |
| 8 | 1 | T240 | HYDRAULIC HOSE, 24 |
| 9 | 2 | YPHR02020 | HAIR PIN, #23-10 |
| 10 | 1 | T143 | CYLINDER PIN |
| 11 | 1 | 12V116 | CYLINDER |
| * | 1 | 56001 | HYDRAULIC CYLINDER, 2 X 16 |
| 12 | 1 | BFR69 | HYDRAULIC LIFT CYLINDER |
| * | 1 | 55999 | HYDRAULIC CYLINDER, 2 X 8 |
| 13 | 1 | BFR223 | JACK |
| 14 | 1 | B17B | JACK HANDLE |
| 15 | 1 | BFR4 | JACK PIN & CHAIN |
| 16 | 1 | 12N14 | JACK MOUNT |
| 17 | 1 | T247 | BOLT |
| 18 | 1 | T241 | SPRING |
| 19 | 1 | 16SV133 | SELECTOR VALVE |
| 20 | 1 | F92 | ANGLE |
| 21 | 1 | T242 | VALVE HANDLE |
| 22 | 1 | T243 | VALVE LINKAGE |
| 23 | 1 | HE58 | HYDRAULIC ELBOW 1/2 |
| 24 | 1 | DF15 | SPEED CONTROL VALVE |
| 25 | 1 | PB64 | HYDRAULIC MOTOR |
| * | 1 | 78401 | SEAL KIT |
| 26 | 1 | DF7 | NIPPLE 1/2 |
| 27 | 1 | DF8 | TEE 1/2 |
| 28 | 1 | DF18 | CHECK VALVE |
| 29 | 1 | 58723 | ADAPTER 3/8" MALE WITH .042 ORIFICE |
| 30 | 2 | 23N234 | FITTING, 90, 3/8NPT, 3/8NPT |

***MEANS NOT SHOWN**

FIGURE 5
HYDRAULIC LIFT CYLINDER

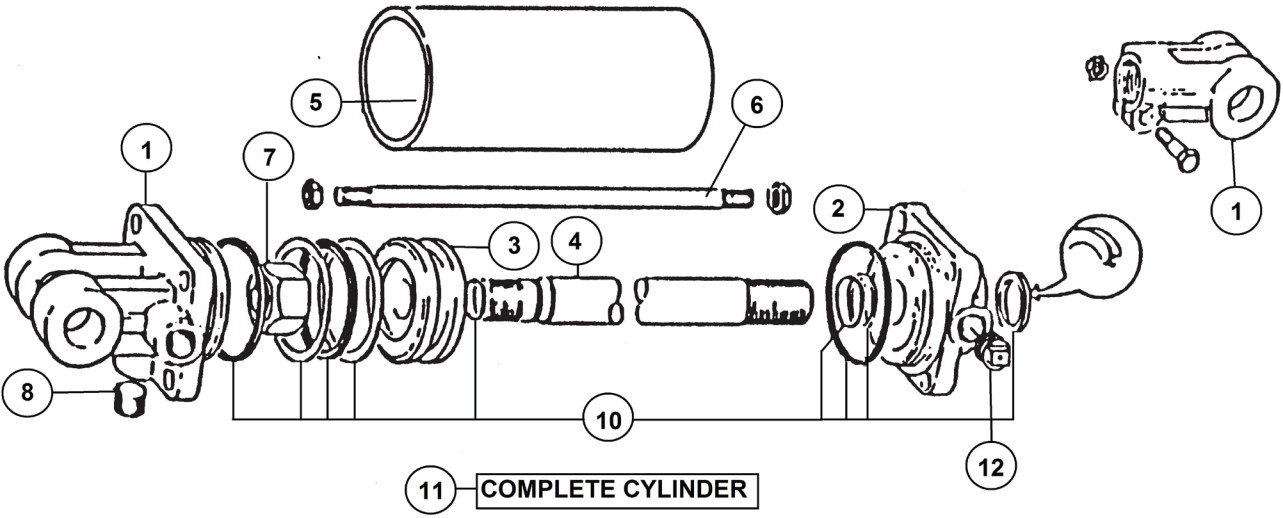


FIGURE 5
HYDRAULIC LIFT CYLINDER

| <u>ITEM</u> | <u>QTY</u> | <u>PART#</u> | <u>DESCRIPTION</u> |
|--------------------|-------------------|---------------------|---------------------------|
| 1 | 2 | 23N142A | CLEVIS CAP |
| 2 | 1 | 56174 | ROD CAP |
| 3 | 1 | 56180 | PISTON |
| 4 | 1 | T184A | ROD |
| 5 | 1 | BFR68 | CYLINDER TUBE |
| 6 | 4 | T186 | TIE ROD |
| 7 | 1 | 23N148 | PISTON NUT |
| 8 | 1 | 23N149 | PLUG |
| 9 | 1 | 23N150A | ROD CLEVIS |
| 10 | 1 | 56187 | SEAL KIT |
| 11 | 1 | 55999 | CYLINDER COMPLETE |
| 12 | 1 | BFR70 | VENT PLUG |

FIGURE 6 HYDRAULIC OPEN CYLINDER

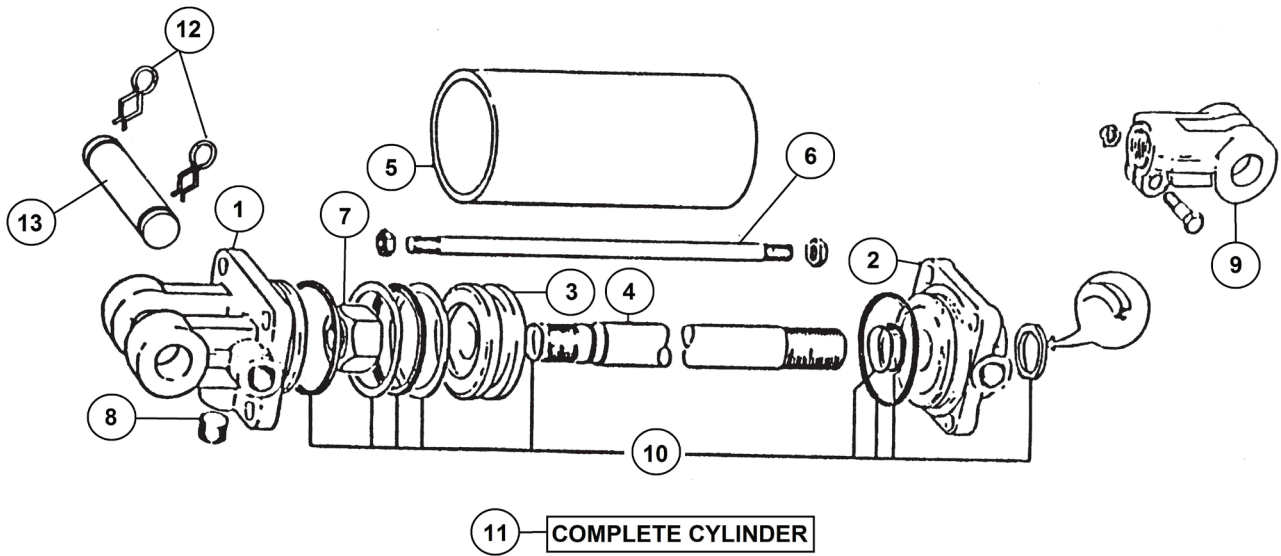


FIGURE 6
HYDRAULIC OPEN CYLINDER

| <u>ITEM</u> | <u>QTY</u> | <u>PART#</u> | <u>DESCRIPTION</u> |
|--------------------|-------------------|---------------------|---------------------------|
| 1 | 1 | 23N142A | CLEVIS CAP |
| 2 | 1 | 56174 | ROD CAP |
| 3 | 1 | 56180 | PISTON |
| 4 | 1 | 23N145A | ROD |
| 5 | 1 | 23N146 | TUBE |
| 6 | 4 | 23N147 | TIE ROD |
| 7 | 1 | 23N148 | PISTON NUT |
| 8 | 1 | 23N149 | PLUG |
| 9 | 1 | 23N150A | ROD CLEVIS |
| 10 | 1 | 56187 | SEAL KIT |
| 11 | 1 | 56001 | COMPLETE CYLINDER |
| 12 | 4 | T144 | CLIP PIN |
| 13 | 2 | T143 | PIN |

FIGURE 7 OPTIONAL FOURTH WHEEL ASSEMBLY

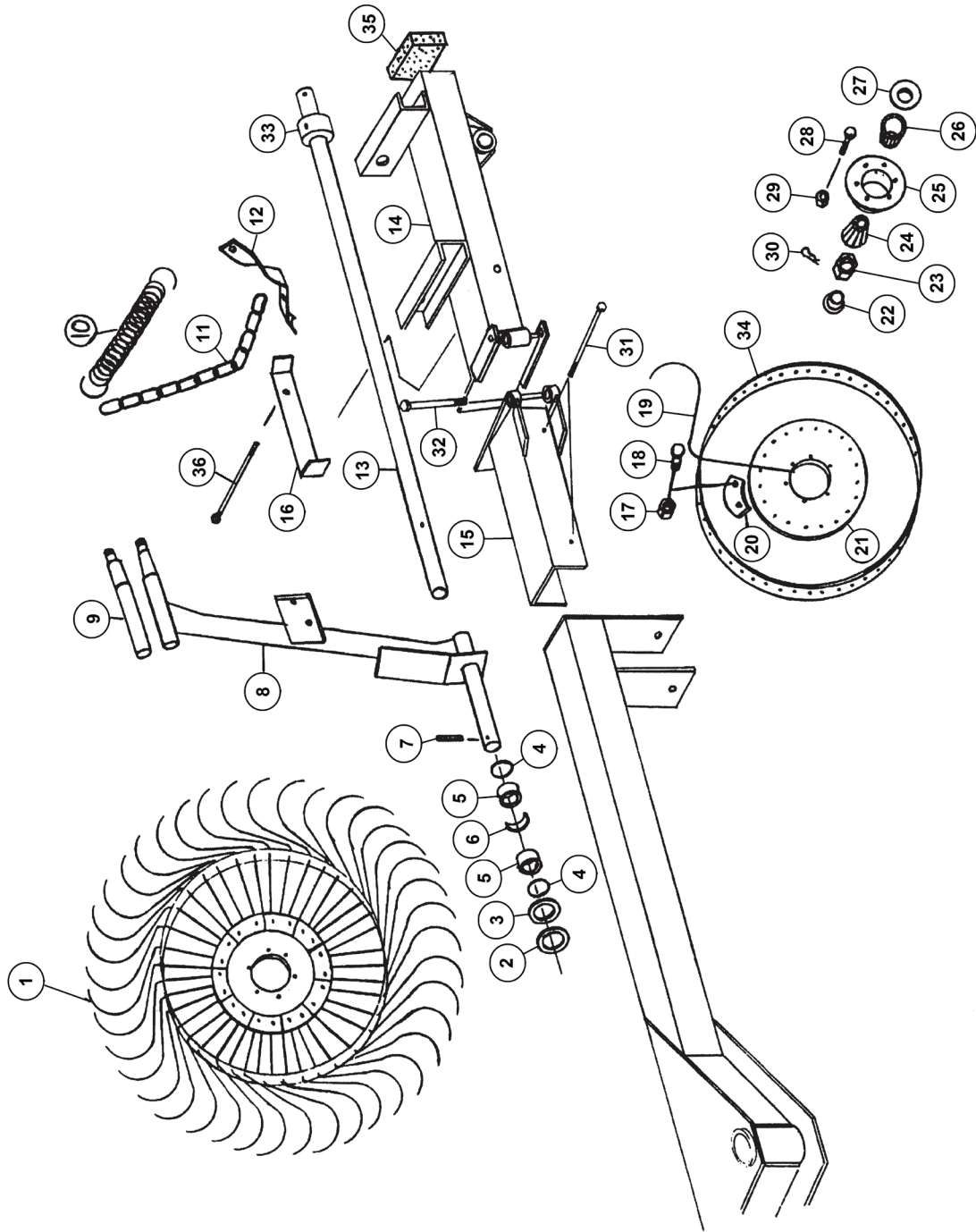


FIGURE 7

OPTIONAL FOURTH WHEEL ASSEMBLY

| <u>ITEM</u> | <u>QTY</u> | <u>PART#</u> | <u>DESCRIPTION</u> |
|-------------|------------|--------------|--------------------------------|
| 1 | 1 | BFR31 | RAKE WHEEL RH |
| 2 | 1 | BFR229 | STEEL WASHER |
| 3 | 1 | BFR221 | POLY WASHER |
| 4 | 2 | S99 | RING |
| 5 | 2 | G16 | BUSHING |
| 6 | 1 | BFR230 | SPACER |
| 7 | 1 | YPEX10015 | EXPANSION PIN, 5/16 X 1-3/4 |
| 8 | 1 | T231 | RAKE WHEEL ARM |
| 9 | 1 | BFR36 | RAKE WHEEL SPINDLE |
| 10 | 1 | BFR138 | SPRING |
| 11 | 1 | BFR140 | CHAIN |
| 12 | 1 | BFR256 | SPRING BRACKET |
| 13 | 1 | T248 | LIFTING PIPE |
| 14 | 1 | T251 | RAKE BEAM EXTENSION |
| 15 | 1 | T249 | RAKE BEAM EXTENSION BRACKET |
| 16 | 1 | T284 | LATCH |
| 17 | 1 | YNHX76015 | NUT HEX, M10-1.5, NA, CL10, ZC |
| 18 | 1 | YBCR76005 | BOLT CARRAGE, 10MM X 25MM |
| 19 | 1 | T176 | RAKE WHEEL TOOTH |
| 20 | 1 | T178 | RAKE TOOTH CLIP |
| 21 | 1 | T179 | RAKE WHEEL CENTER |
| 22 | 1 | T173 | HUB CAP |
| 23 | 1 | YNSL24010 | NUT HEX, 3/4 |
| 24 | 1 | 600014 | BEARING W/RACE |
| 25 | 1 | BFR32 | HUB |
| 26 | 1 | 600012 | BEARING W/RACE |
| 27 | 1 | T163 | SEAL |
| 28 | 6 | YBHH76005 | BOLT, 10MM X 25MM |
| 29 | 6 | YNHX76015 | NUT HEX, 10MM |
| 30 | 1 | YPCT05010 | COTTER PIN, 5/32 X 1-1/2 |
| 31 | 1 | YBHH12170 | BOLT HEX, 3/8 X 4 G5 |
| 32 | 1 | YBHH20085 | BOLT HEX, 5/8 X 5 G5 |
| 33 | 1 | BFR82 | PIPE CLAMP |
| 34 | 1 | T177 | OUTER RING |
| 35 | 1 | BFR334 | FOAM FILLER |
| 36 | 1 | T285 | LATCH FASTENER |

CHANGE NOTES

1. Figure 4: Replaced 58722 with 58723

H&S MFG. CO.

products approved

for the

FEMA

SEAL OF QUALITY

