



HPH4242

MANURE SPREADER

PARTS BOOK

Part #89978

HSMFG021521

Rev. #00

Starting Ser. #122HP42001

STRONG HERITAGE - STRONG PEOPLE - STRONGER FUTURE

CONTENTS

Instructions for Ordering Parts	1
Figure 1 - Hitch & Components	2-3
Figure 2 - Floor & Side Components	4-5
Figure 3 - PTO Shield & Components	6-7
Figure 4 - Pusher & Components	8-9
Figure 5 - Pusher Extension & Components	10-11
Figure 6 - Pusher Spacers & Components	12-13
Figure 7 - Gearbox Drive & Components	14-15
Figure 8 - Hydraulics	16-17
Figure 9 - Tandem Axle & Wheel Components	18-19
Figure 10 - Endgate & Components	20-21
Figure 11 - Beater Panels & Components	22-23
Figure 12 - Beaters & Components	24-25
Figure 13 - Beater Sprockets & Components	26-27
Figure 14 - Lights	28-29
Figure 15 - Gearbox	30-31
Figure 16 - Optional Flow Control (HPOVSC)	32-33
Figure 17 - Optional Pan & Components (MSHPOPAN)	34-35
Figure 18 - Optional Variable Speed Control (HPOVSEC)	36-37
Figure 19 - HPO1034CV PTO	38-39
Figure 20 - HPO1038CV PTO	40-41
Parts Notes	42

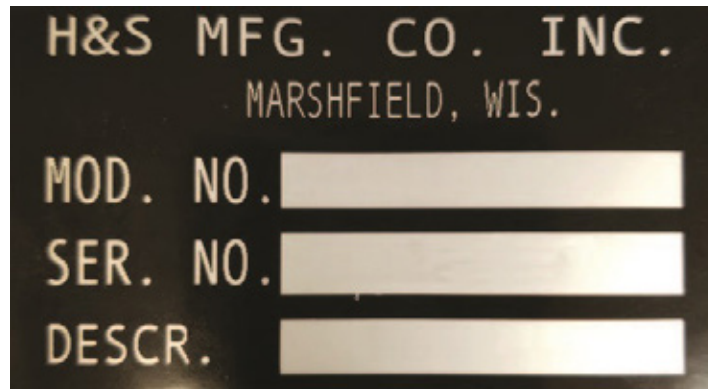
INSTRUCTIONS FOR ORDERING PARTS

All service parts should be ordered through your authorized H&S dealer. He will be able to give you faster service if you will provide them with the following:

1. Model & Serial Number - Both can be located on the front, left side of the PTO bearing support mount.
2. All references to left or right apply to the machine as viewed from the rear.
3. Parts should not be ordered from illustration only. Please order complete part number.
4. If your dealer has to order parts - give shipping instructions:

VIA truck - large pieces (please specify local truck lines)

VIA United Parcel Service (include full address)



PLEASE RECORD NUMBERS FOR YOUR UNIT FOR QUICK REFERENCE

ABOUT IMPROVEMENTS

H&S IS CONTINUALLY STRIVING TO IMPROVE ITS PRODUCTS

We must, therefore, reserve the right to make improvements or changes whenever it becomes practical to do so, without incurring any obligation to make changes or additions to the equipment previously sold.

FIGURE 1 **HITCH & COMPONENTS**

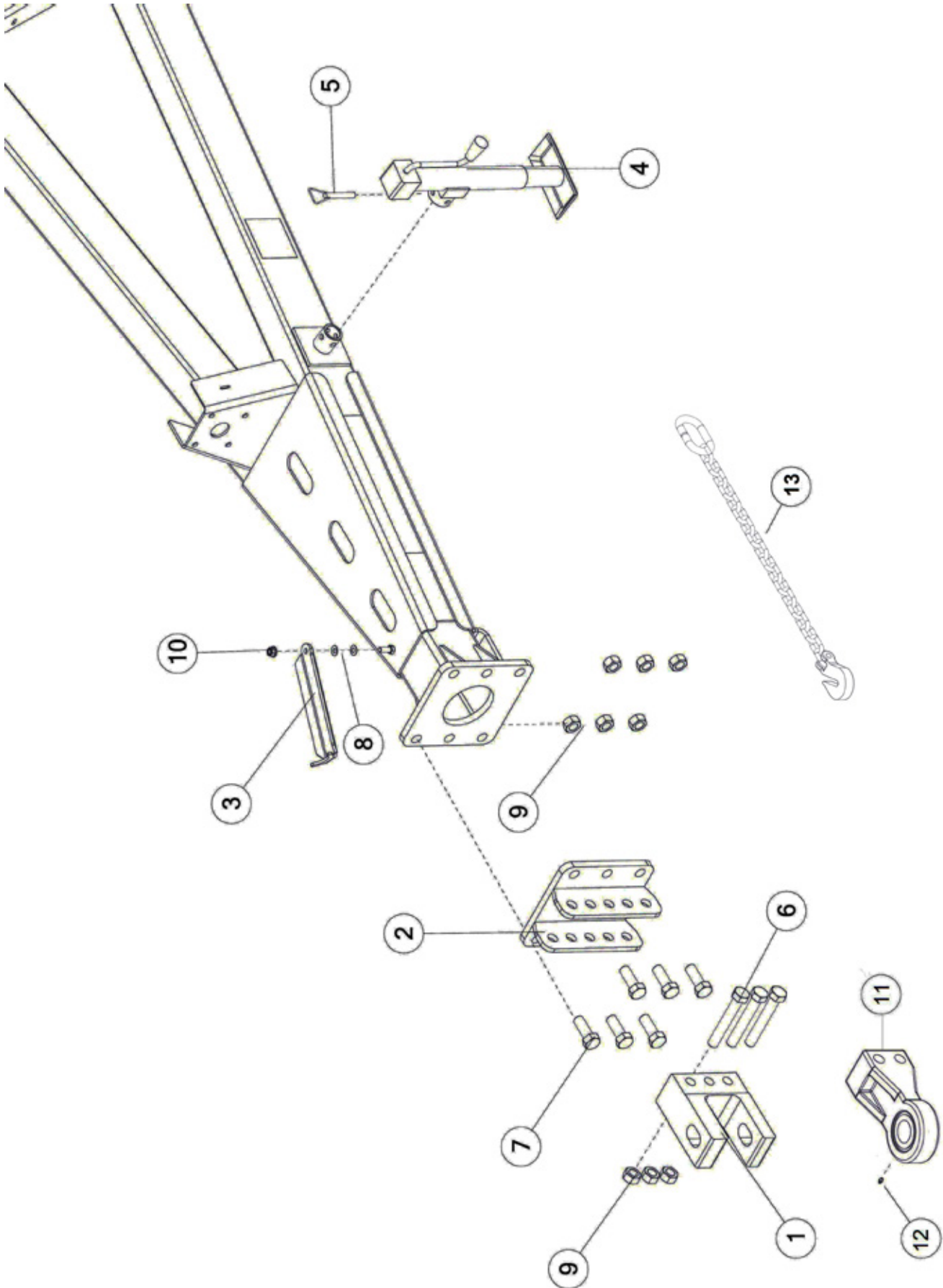


FIGURE 1

HITCH & COMPONENTS

<u>ITEM</u>	<u>QTY</u>	<u>PART#</u>	<u>DESCRIPTION</u>
1	1	56310	HEAVY CLEVIS OPTION
2	1	89538	HITCH MOUNT
3	1	42N2	PTO HOLDER
4	1	27N49	JACK W/MOUNT-5000# SW 10" LIFT
5	1	12N117	PIN, 0.56, 5.19, JACK
6	3	YBHH32028	BOLT HEX, 1-8 X 6-1/2 G8 ZY
7	6	YBHH32006	BOLT HEX, 1-8 X 2-3/4 G5
8	2	42N3	SPRING
9	9	YNL32005	NUT HEX, 1-8 LKTL C ZC
10	1	YNFG16003	NUT FLANGE, 1/2 GF
11	1	58290	ARTICULATING HITCH OPTION
12	1	G89	STRAIGHT ZERK, 1/4
13	1	SC40500	SAFETY CHAIN, 40,500 LB RATING, OPTIONAL

FIGURE 2 **FLOOR & SIDE COMPONENTS**

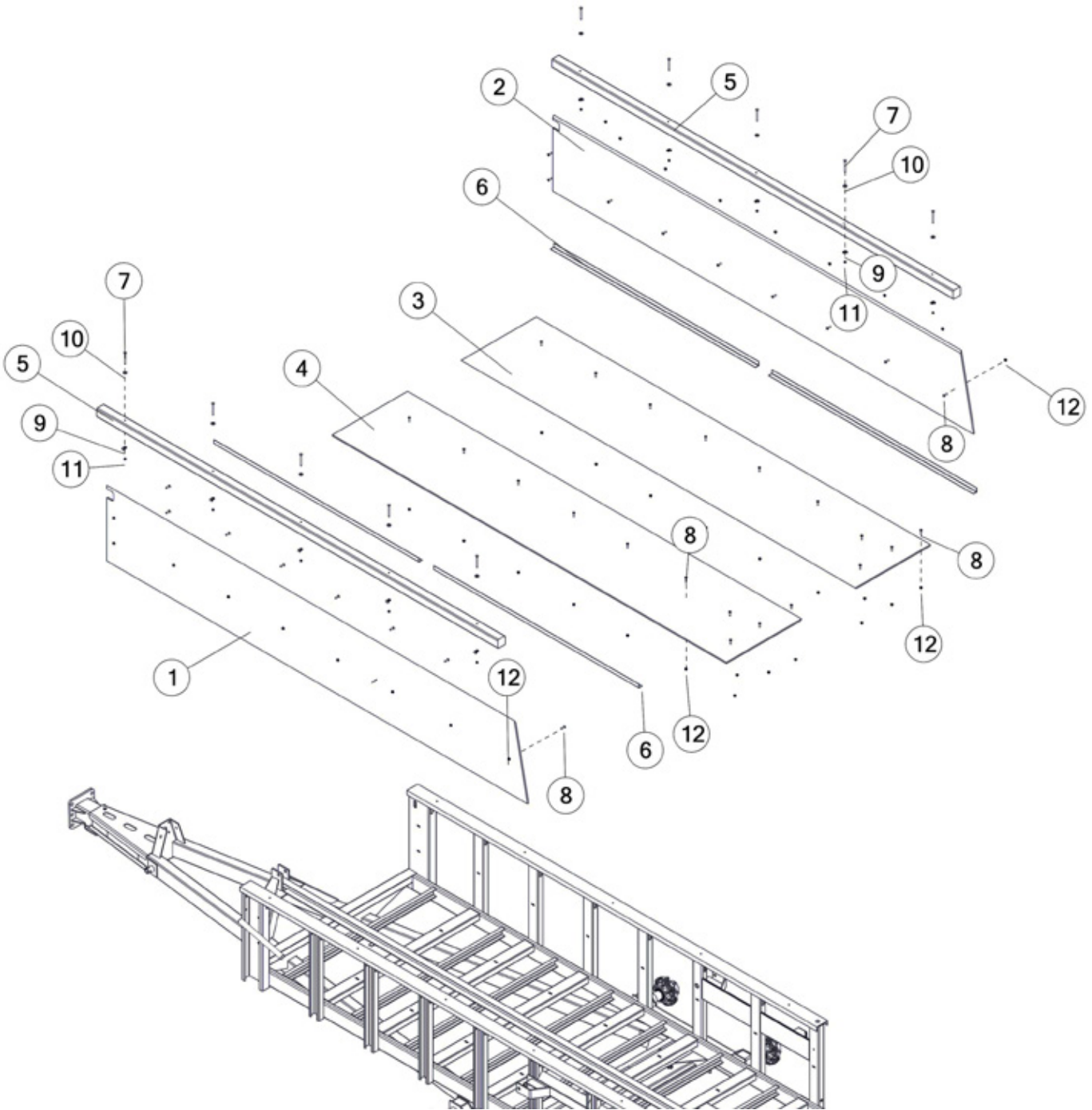


FIGURE 2

FLOOR & SIDE COMPONENTS

<u>ITEM</u>	<u>QTY</u>	<u>PART#</u>	<u>DESCRIPTION</u>
1	1	42N9	SIDE POLY LH
2	1	42N8	SIDE POLY RH
3	1	42N10	FLOOR POLY RH
4	1	42N11	FLOOR POLY LH
5	2	90592	POLY TOP RAIL
6	4	89814	POLY SIDE ANGLE
7	10	YBCR12105	BOLT CARRIAGE, FT, 3/8-16 X 4-1/2 G5 ZC
8	38	YSFS12016	BOLT FLAT SOK, 3/8-16X1-1/2 ZC
9	10	HGV162	CUSHION WIRE CLAMP, 1/2
10	10	YWFL16005	WASHER FLAT, 1/2 USS
11	10	YNHX12005	NUT HEX, 3/8-16 NAA ZC
12	38	YNFG12006	NUT FLANGE, 3/8 GF

FIGURE 3
PTO SHIELD & COMPONENTS

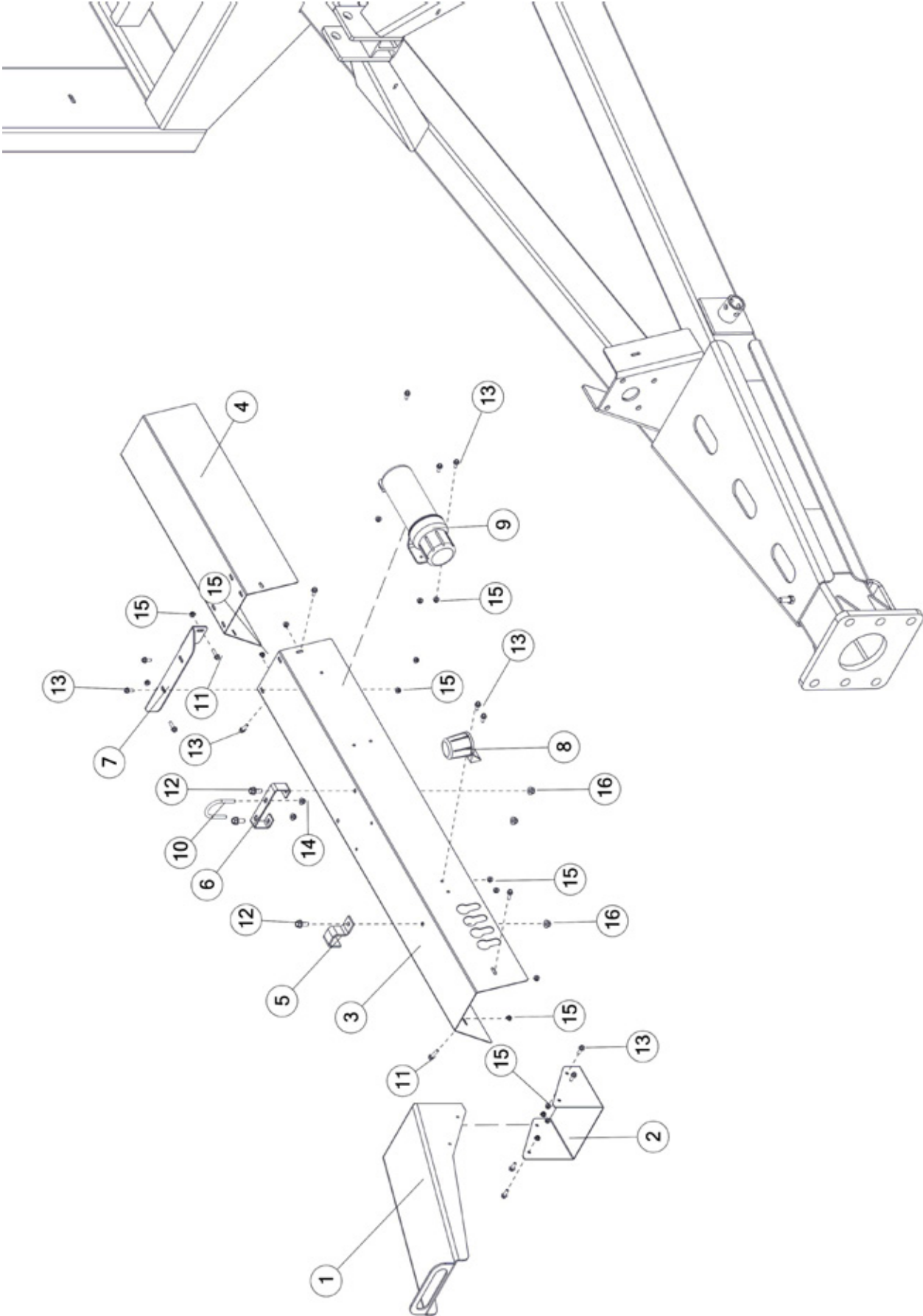


FIGURE 3
PTO SHIELD & COMPONENTS

<u>ITEM</u>	<u>QTY</u>	<u>PART#</u>	<u>DESCRIPTION</u>
1	1	90164	PTO SHIELD
2	1	90168	LOWER PTO SHIELD
3	1	88914	INPUT SHIELD
4	1	88915	INPUT SHIELD
5	1	HE14	SMALL PIPE BRACKET
6	1	89639	HOSE HOLDER
7	1	88927	INPUT SHIELD ANGLE
8	1	CHM38	PLUG STORAGE
9	1	S522	MANUAL HOLDER
10	1	YBPU10007	PIPE U BOLT, 5/16 X 1-1/2
11	4	YBFB08100	BOLT FLANGE, 1/4 X 1 G5
12	3	YBFB12003	BOLT FLANGE, 3/8 X 1 G5
13	13	YBFB08075	BOLT FLANGE, 1/4 X 3/4 G5
14	2	YNFG10005	NUT FLANGE, 5/16 GF
15	17	YNFG08010	NUT FLANGE, 1/4 GF
16	3	YNFG12006	NUT FLANGE, 3/8 GF

FIGURE 4
PUSHER COMPONENTS

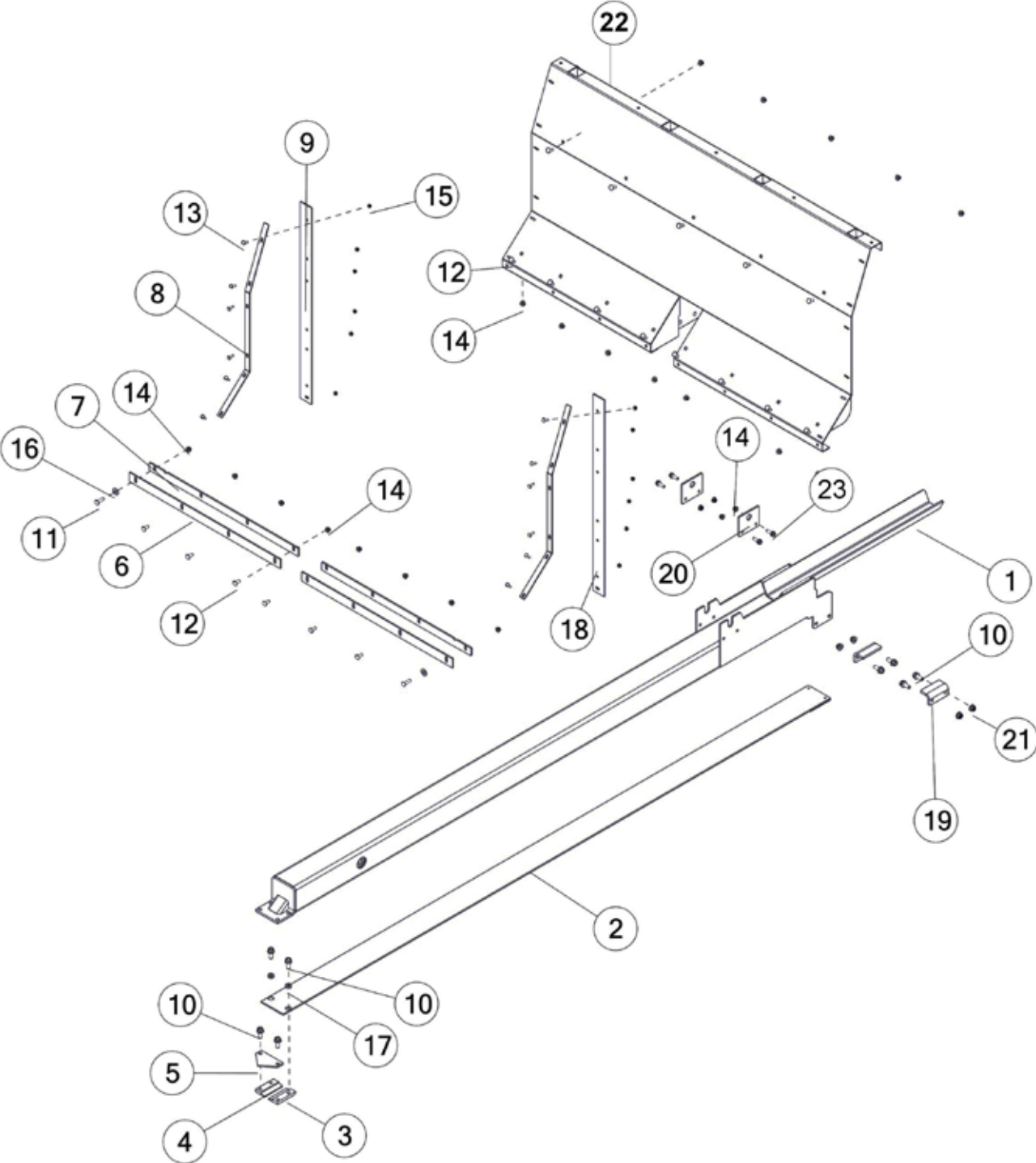


FIGURE 4

PUSHER COMPONENTS

<u>ITEM</u>	<u>QTY</u>	<u>PART#</u>	<u>DESCRIPTION</u>
1	1	42N74	MOVEABLE FLOOR TUBE
2	1	42N149	PUSHER TUBING SLIDE
3	1	42N78	END CAP CLAMP RIGHT
4	1	42N79	END CAP CLAMP LEFT
5	1	42N151	SCRAPER
6	2	42N139	PUSHER BOTTOM RUBBER
7	2	42N81	PUSHER WIPER
8	2	42N82	PUSHER RUBBER STRAP
9	1	42N92	PUSHER RUBBER
10	8	YBFB16125	BOLT FLG, 1/2 X 1-1/4 G5
11	2	YBCR12015	BOLT CARRIAGE, 3/8-16 X 1-1/2 G5 ZC
12	19	YBCR12010	BOLT CARRIAGE, 3/8-16 X 1 G5 ZC
13	12	YBCR08005	BOLT CARRIAGE, 1/4-20 X 1 G5 ZC
14	25	YNFG12006	NUT FLANGE, 3/8 GF
15	12	YNFG08010	NUT FLANGE, 1/4 GF
16	2	YWFL14005	WASHER FLAT, 7/16 USS ZINC
17	2	42N150	POLY SPACER
18	1	42N93	PUSHER RUBBER
19	2	42N76	PUSH TUBE FRONT GUIDE
20	2	42N77	CYLINDER RETAINER
21	4	YNFG16003	NUT FLANGE, 1/2
22	1	90074	PUSHER FRAME
23	4	YBFB12125	BOLT FLANGE, 3/8 X 1-1/4 G5

FIGURE 5 **PUSHER EXTENSION & COMPONENTS**

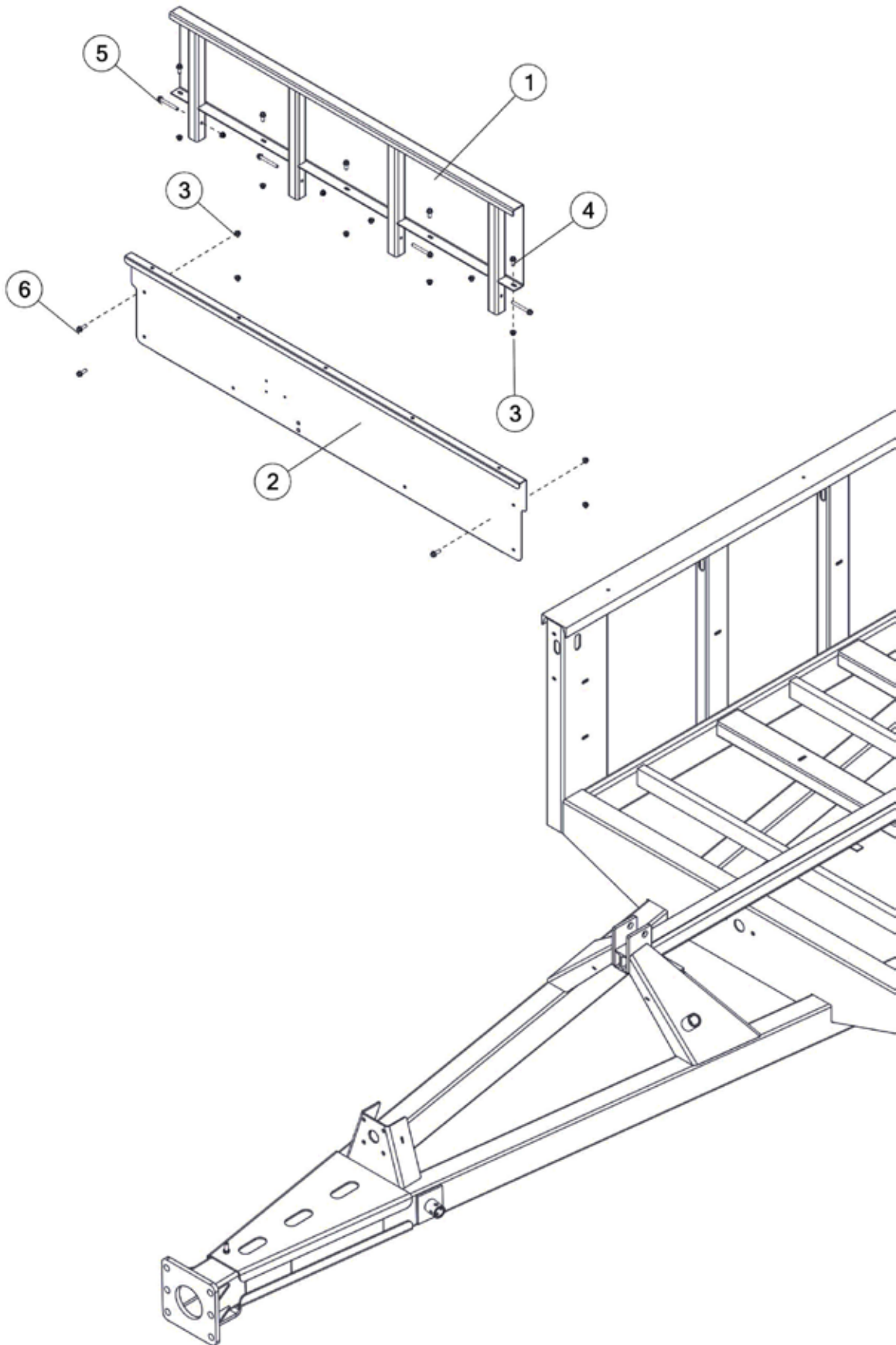


FIGURE 5
PUSHER EXTENSION & COMPONENTS

<u>ITEM</u>	<u>QTY</u>	<u>PART#</u>	<u>DESCRIPTION</u>
1	1	90065	PUSHER EXTENSION
2	1	89619	FRONT PANEL
3	13	YNFG12006	NUT FLANGE, 3/8 GF
4	5	YBFB12003	BOLT FLANGE, 3/8 X 1 G5 ZC
5	4	YBFB12350	BOLT FLANGE, 3/8 X 3-1/2 G5
6	4	YBFB12125	BOLT FLANGE, 3/8 X 1-1/4 G5

FIGURE 6 **PUSHER SPACERS & COMPONENTS**

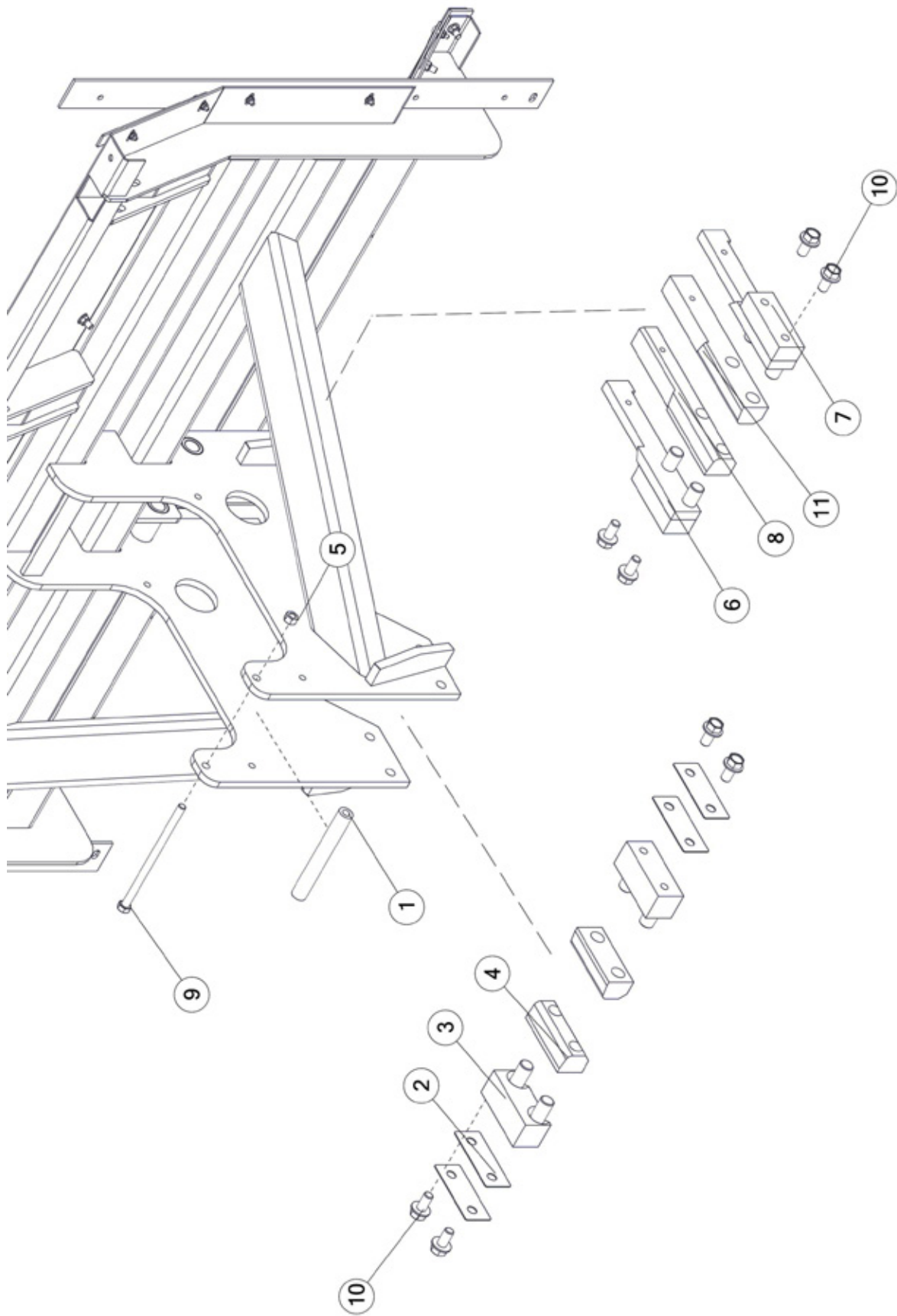


FIGURE 6
PUSHER SPACERS & COMPONENTS

<u>ITEM</u>	<u>QTY</u>	<u>PART#</u>	<u>DESCRIPTION</u>
1	1	42N91	PUSHER SPACER
2	4	42N114	PUSHER SHIM
3	2	42N85	POLY BLOCK SPACER FRONT
4	2	42N86	PUSHER POLY SLIDE
5	1	YNRL16005	NUT HEX, 1/2-13 LKRS A ZC
6	1	42N87	POLY BLOCK SPACER RIGHT
7	1	42N90	POLY BLOCK SPACER LEFT
8	1	42N88	PUSHER POLY SLIDE RIGHT
9	1	YBHH16185	BOLT HEX, 1/2 X 9 G5
10	8	YBFB20125	BOLT FLANGE, 5/8 X 1-1/4 G5
11	1	42N89	PUSHER POLY SLIDE, LH

FIGURE 7 **GEARBOX DRIVE & COMPONENTS**

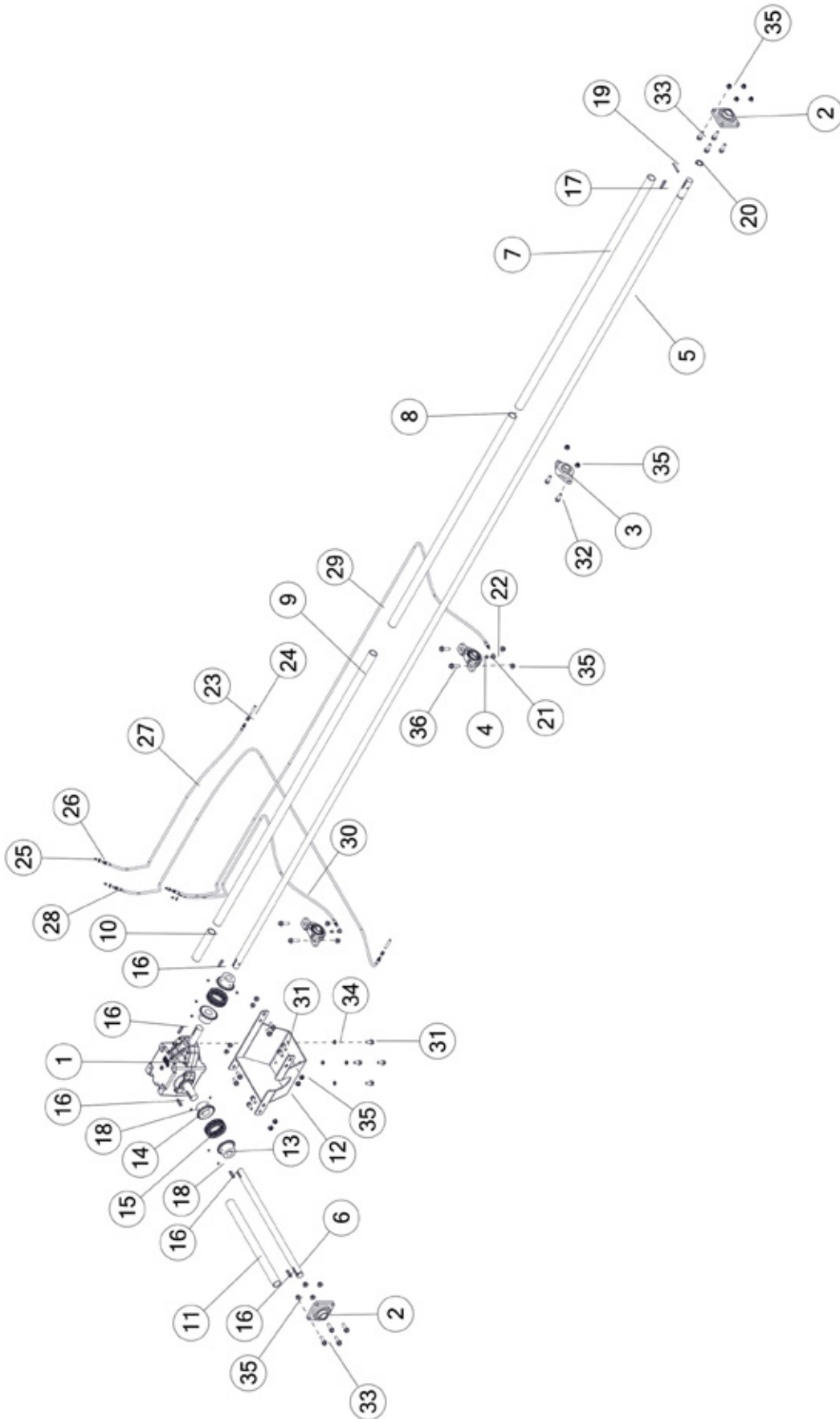


FIGURE 7

GEARBOX DRIVE & COMPONENTS

<u>ITEM</u>	<u>QTY</u>	<u>PART#</u>	<u>DESCRIPTION</u>
1	1	89515	COMPLETE GEARBOX
2	2	12V99	BRG, 5.13 X 1.50 X 2.02, FLANGE
3	1	42N18	PILLOW BLOCK BEARING W/STRAIGHT, 1-1/2
4	2	60659	BEARING
5	1	87954	INPUT SHAFT
6	1	56783	CROSS SHAFT - FOR CLUTCH
7	1	42N16	INPUT PVC SHIELD
8	1	42N19	DRIVE SHAFT CENTER PVC SHIELD
9	1	89518	DRIVE SHAFT MIDDLE PVC SHIELD
10	1	87955	DRIVE SHAFT BACK PVC SHIELD
11	1	42N23	CROSS SHAFT PVC SHIELD
12	1	89568	GEARBOX MOUNT
13	2	42N24	SPROCKET 50-B-20 1-1/2 BORE
14	2	42N25	SPROCKET 50-B-20 1-3/4 BORE
15	2	HGV124	CONNECTOR CHAIN #50 X 20
16	4	56N174	SQRE KEY, 3/8 X 2
17	1	S138	SQRE KEY, 3/8 X 2-3/8
18	8	YSKP12025	SET SCREW, SOCKET, KNURLED CUP PT, 3/8"-16 X 3/8"
19	1	YPEX12023	EXPANSION PIN, 3/8 X 2-1/2
20	1	12V62	HEAVY DUTY EXTERNAL SNAP RING, 1-1/2
21	2	TS323	FITTING STRAIGHT, 1/4-28, 1/8-27NPT
22	2	58453	FITTING, 90, 1/8NPT, 1/8NPT
23	2	88827	FITTING STRAIGHT, 1/8NPT, 1/8NPT
24	2	66077	NIPPLE, 1/8 MALE PIPE X 2-1/2
25	4	G89	STRAIGHT ZERK, 1/2-28
26	4	YNJM04005	NUT JAM, 1/8 A
27	1	89730	GREASE HOSE, 3, 65
28	1	89728	GREASE HOSE, 3, 134
29	1	89725	GREASE HOSE, 3, 161
30	1	89723	GREASE HOSE, 3, 77
31	12	YBFB16125	BOLT FLANGE, 1/2 X 1-1/4 G5
32	2	YBFB16150	BOLT FLANGE, 1/2 X 1-1/2 G5
33	8	YBFB16175	BOLT FLANGE, 1/2 X 1-3/4 G5
34	4	YWLO16005	WASHER LOCK, 1/2
35	22	YNFG16003	NUT FLANGE, 1/2 GF
36	4	YBFB16200	BOLT FLANGE, 1/2 X 2 G5

FIGURE 8 HYDRAULICS

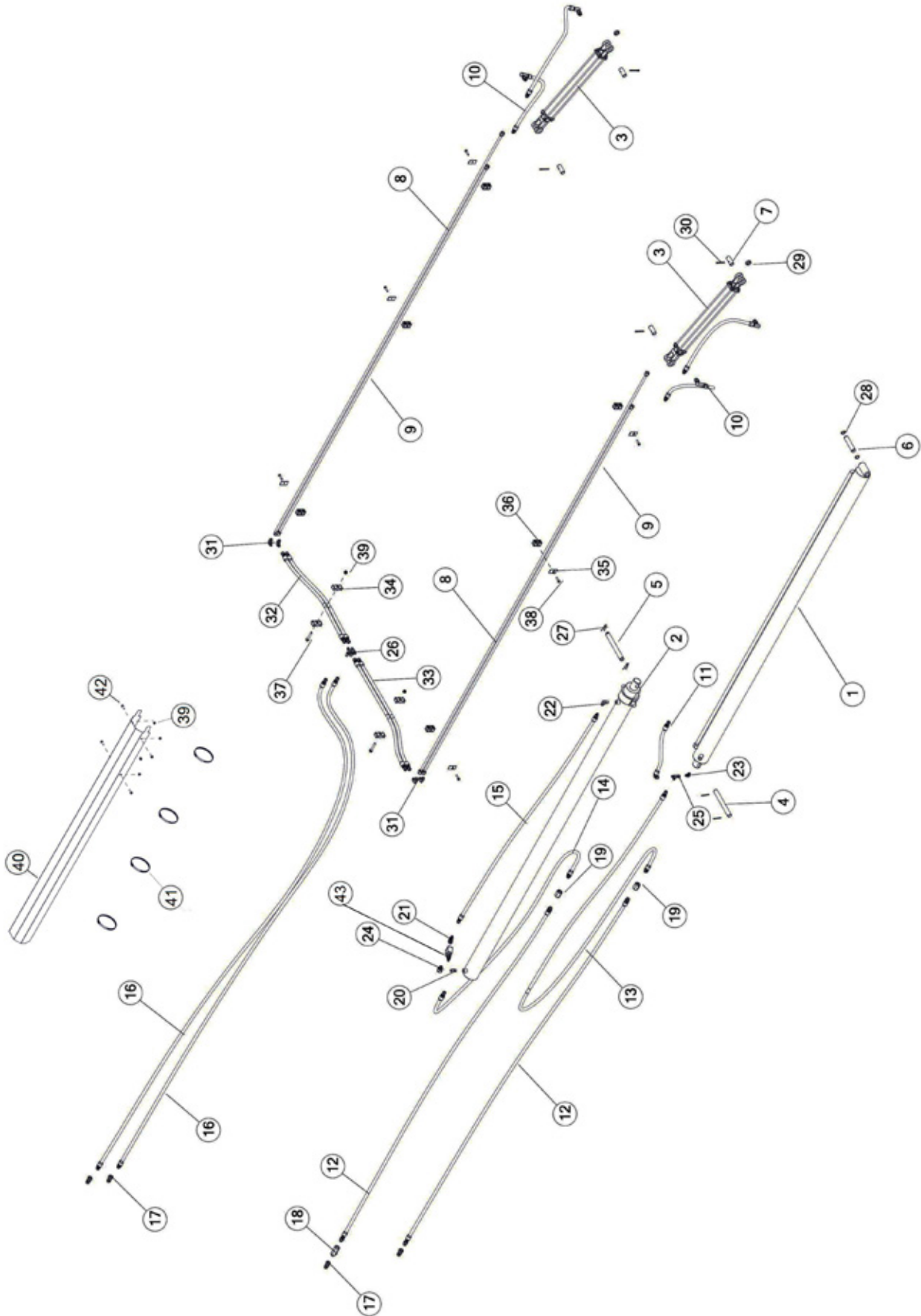


FIGURE 8 HYDRAULICS

<u>ITEM</u>	<u>QTY</u>	<u>PART#</u>	<u>DESCRIPTION</u>
1	1	42N70	HYDRAULIC CYLINDER, TRUNNION 3-1/2 X 90
2	1	42N69	HYDRAULIC CYLINDER, GIMBAL 3-1/2 X 90
3	2	90970	HYDRAULIC CYLINDER, 2 X 20
4	1	42N71	CYLINDER PIN
5	1	42N72	PUSHER CYLINDER PIN
6	1	42N80	REAR CYLINDER PIN
7	4	56N141	SHAFT, RND, 1.00 X 2.50, PIN, CYLINDER
8	2	90968	HYDRAULIC TUBE, 1/2 X 144
9	2	90969	HYDRAULIC TUBE, 1/2 X 132
10	4	90972	HYDRAULIC HOSE, 6, 36
11	1	89579	HYDRAULIC HOSE, 6, 20IN
12	2	89588	HYDRAULIC HOSE, 6, 126IN
13	1	89594	HYDRAULIC HOSE, 6, 158IN
14	1	89586	HYDRAULIC HOSE, 6, 82IN
15	1	89581	HYDRAULIC HOSE, 6, 77IN
16	2	89629	HYDRAULIC HOSE, 6, 182IN
17	4	67148	FTG, ST, 8ORB, QUICK COUPLER TIP
18	1	89576	HYDRAULIC VALVE, CHECK
19	2	90154	FITTING STRAIGHT, 10ORB, 10ORB
20	1	16SV351	FITTING STRAIGHT, 6NPT X 6NPT
21	1	89574	FITTING T, 6 JIC, 6 JIC, 8 ORB
22	1	CHM164	FITTING, 90, 6JIC X 3/8NPT
23	1	58151	FITTING 45, 3/8JIC, 3/8-18NPTF
24	1	55923	8 ORB TO 3/8 NPTF, 90 DEG
25	1	CHM242	FITTING, TEE, 6JIC X 6JIC X 6JIC
26	2	8005	FITTING TEE, 8JIC X 8JIC X 8JIC, BULKHEAD
27	2	YPHR02020	HAIR PIN, #23-10
28	2	3G21	SNAP RING, 1 HEAVY DUTY
29	2	K132	SPACER, 3/8 LONG
30	4	YPCT07005	COTTER PIN, 7/32 X 2
31	4	58187	FITTING, 8-6 ETX-S
32	2	89635	HYDRAULIC HOSE, 6, 32IN
33	2	89632	HYDRAULIC HOSE, 6, 45IN
34	4	86567	DOUBLE CLAMP, UNIVERSAL
35	6	56563	CLAMP TOP PLATE
36	6	TS118	LINE CLAMP BLOCK (PART OF T2008S)
37	2	YBFB12250	BOLT FLANGE, 3/8 X 2-1/2 G5
38	6	56568	CLAMP BOLT, 5/16-18 x 1-3/8
39	6	YNFG12006	NUT FLANGE, 3/8 GF
40	1	88849	CYLINDER SHIELD
41	4	12V70	HOSE CLAMP
42	4	YBFB12150	BOLT FLANGE, 3/8 X 1-1/4
43	1	89573	HYDRAULIC VALVE, SEQUENCE

FIGURE 9
TANDEM AXLE AND WHEEL COMPONENTS

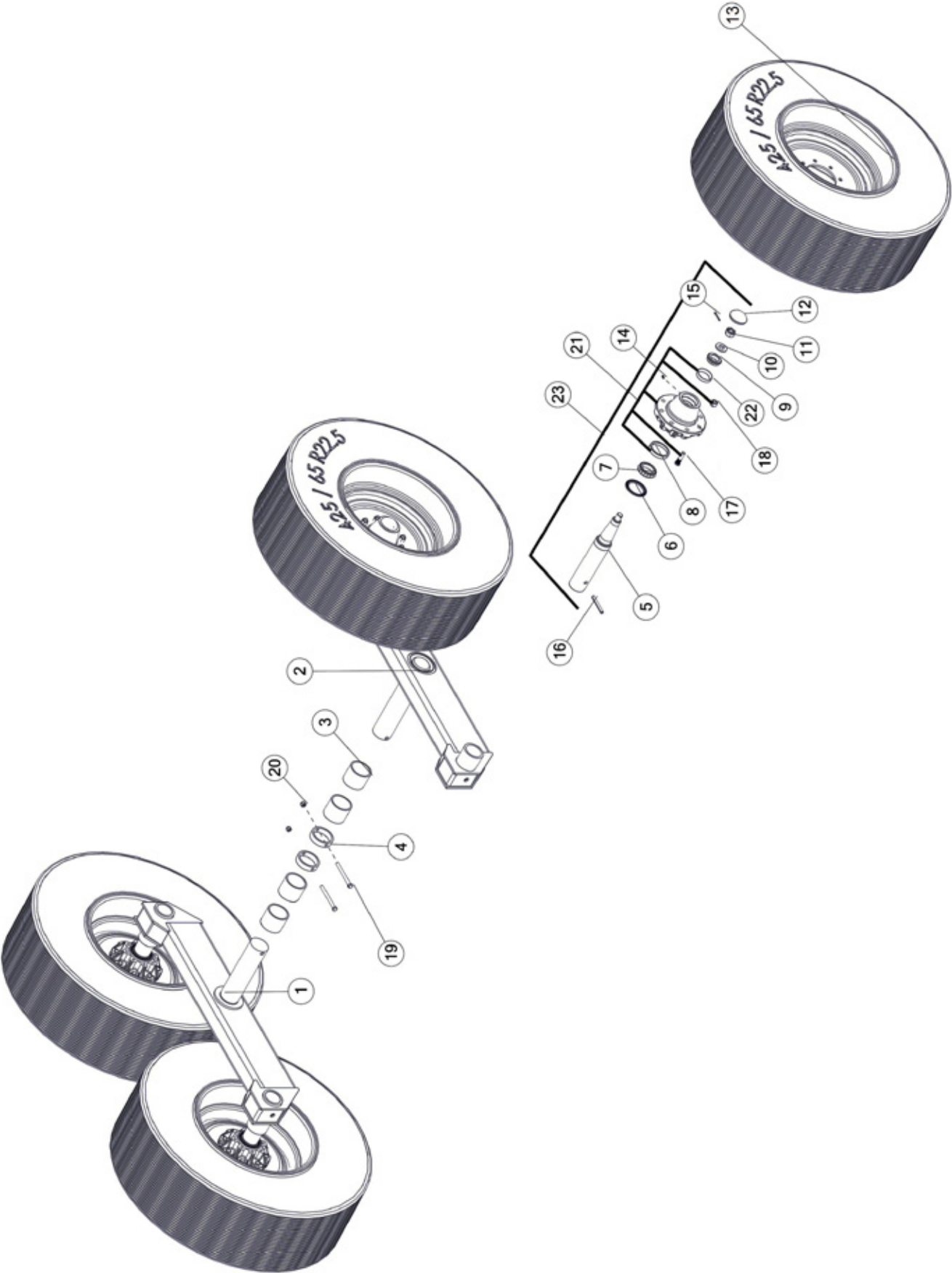


FIGURE 9

TANDEM AXLE AND WHEEL COMPONENTS

<u>ITEM</u>	<u>QTY</u>	<u>PART#</u>	<u>DESCRIPTION</u>
1	1	42N7	TANDEM AXLE RH
2	1	42N6	TANDEM AXLE LH
3	4	45N36	POLY BUSHING
4	2	45N35	AXLE KEEPER
5	4	33SV40	SPINDLE
6	4	33SV42	GREASE SEAL
7	4	33SV43	TAPERED ROLLER BEARING, 2.25 BORE
8	4	33SV44	INNER RACE
9	4	17G150	TAPERED ROLLER BEARING, 1.625 BORE
10	4	33SV95	SPINDLE WASHER
11	4	YNSL32005	NUT SLOT, 1-14 NA G2 NF
12	4	RG171	HUB CAP
13	1	TWP425S	(4) 425 X 22.5 USED TRUCK TIRES W/SILVER 8 BOLT RIMS
*	4	90192	ASSEMBLY, TIRE AND WHEEL
*	4	90185	WHEEL, 22.5 X 13.5 8 BOLT SILVER
*	4	16SV88	TIRE, 425 X 22.5
*	4	72438	VALVE STEM, 1-1/2
13	1	TWP19LS	(4) 19L X 16.1 10 PLY TIRES W/ SILVER 8 BOLT RIMS
*	4	90193	ASSEMBLY, TIRE AND WHEEL
*	4	90186	WHEEL, W16C-16.1 8 BOLT SILVER
*	4	UR8	19L X 16.1 TIRE
*	4	72437	VALVE STEM, 1.25IN HD
13	1	TWP5508S	(4) 550/45 X 22.5 TIRES W/ SILVER 8 BOLT RIMS
*	2	90197	ASSEMBLY, TIRE AND WHEEL, RH
*	2	90187	WHEEL, 22.5 X 16.00 8 BOLT SILVER
*	2	33381	TIRE, 550/45 - 22.5 16PLY FLOATATION
*	2	72437	VALVE STEM, 1.25IN HD
*	2	90198	ASSEMBLY, TIRE AND WHEEL, LH
*	2	90187	WHEEL, 22.5 X 16.00 8 BOLT SILVER
*	2	33381	TIRE, 550/45 - 22.5 16PLY FLOATATION
*	2	72437	VALVE STEM, 1.25IN HD
14	4	G89	STRAIGHT ZERK, 1/4-28
15	4	YPCT06005	COTTER PIN, 3/16 X 1-1/2
16	4	YPEX16020	EXPANSION PIN, 1/2 X 4
17	32	YBSD20010	BOLT STUD, 5/8 X 2-1/2 G8
18	32	YNWL20005	NUT WHEEL, 5/8-18 NA G5 ZC
19	2	YBHH16160	BOLT HEX, 1/2-13 X 5-1/2 G5
20	2	YNNY16005	NUT HEX, 1/2-13 LKNY G2 ZC
21	4	33SV45	758(B) HUB WITH RACES
22	4	17G149	RACE
23	4	54476	758(B) HUB COMPLETE AND SPINDLE
24	4	33489	ASSY, 425x22.5 TIRE, 22.5x13.5, 8 BOLT WHEEL

* NOT SHOWN

FIGURE 10 ENDGATE & COMPONENTS

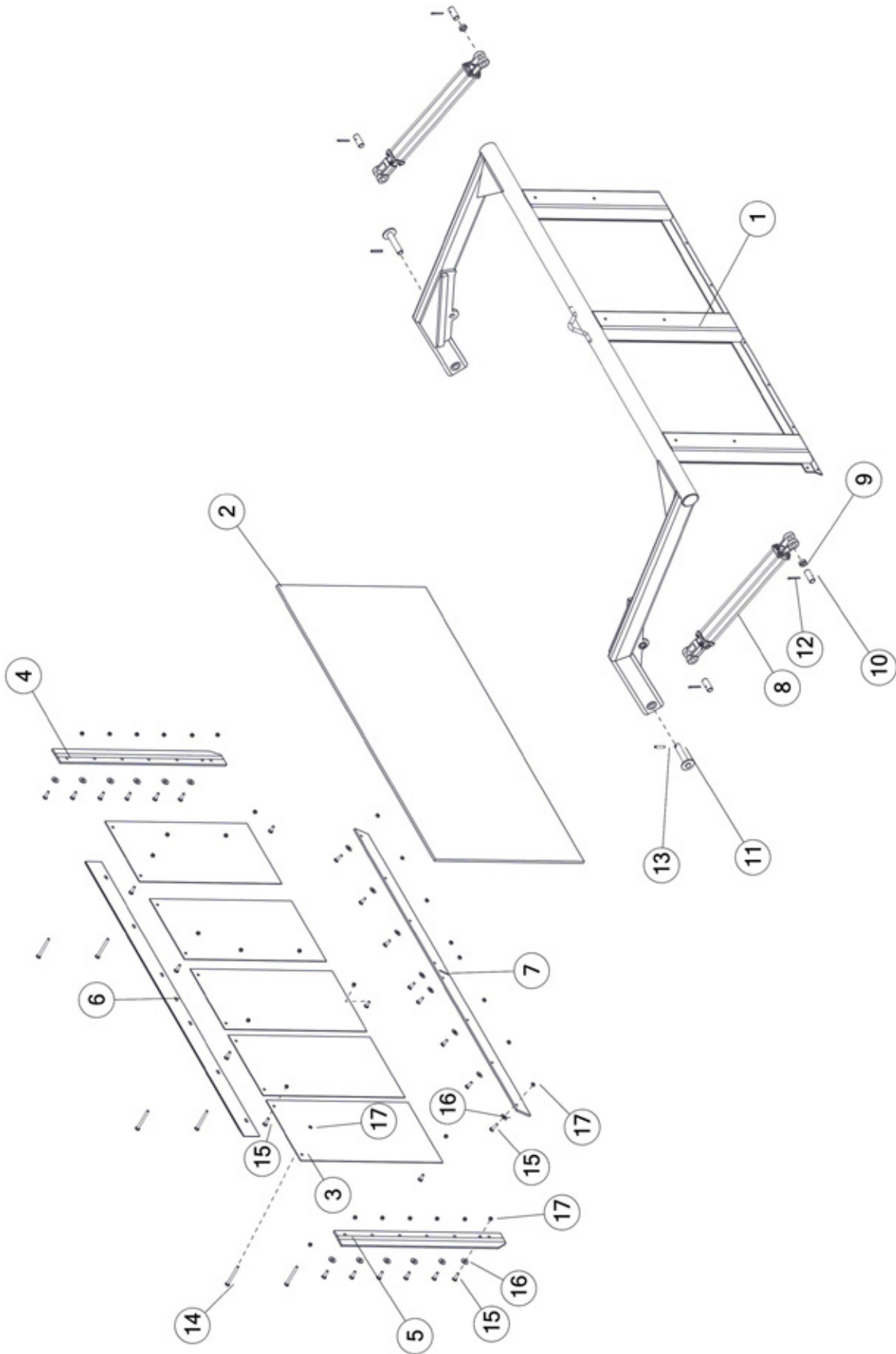


FIGURE 10

ENDGATE & COMPONENTS

<u>ITEM</u>	<u>QTY</u>	<u>PART#</u>	<u>DESCRIPTION</u>
1	1	42N28	END GATE
2	1	42N34	ENDGATE POLY
3	5	42N165	ENDGATE CURTAIN
4	1	42N31	ENDGATE RUBBER RIGHT
5	1	42N32	ENDGATE RUBBER LEFT
6	1	89816	POLY HOLD DOWN
7	1	42N33	ENDGATE RUBBER
8	2	90970	HYDRAULIC CYLINDER, 2 X 20
9	2	K132	SPACER, 3/8 LONG
10	1	56N141	SHAFT, RND, 1 X 2-1/2, PIN, CYLINDER
11	2	42N29	HINGE PIN
12	4	YPCT07005	COTTER PIN, 7/32 X 2
13	2	YPEX12020	EXPANSION PIN, 3/8 X 2
14	6	YBCR12105	BOLT CARRIAGE, FT, 3/8-16 X 4-1/2 G5 ZC
15	27	YBCR12015	BOLT CARRIAGE, 3/8-16 X 1-1/2 G5 ZC
16	20	YWFL16005	WASHER FLAT, 1/2 USS
17	33	YNHX12005	NUT HEX, 3/8-16 NAA ZC

FIGURE 11 **BEATER PANELS & COMPONENTS**

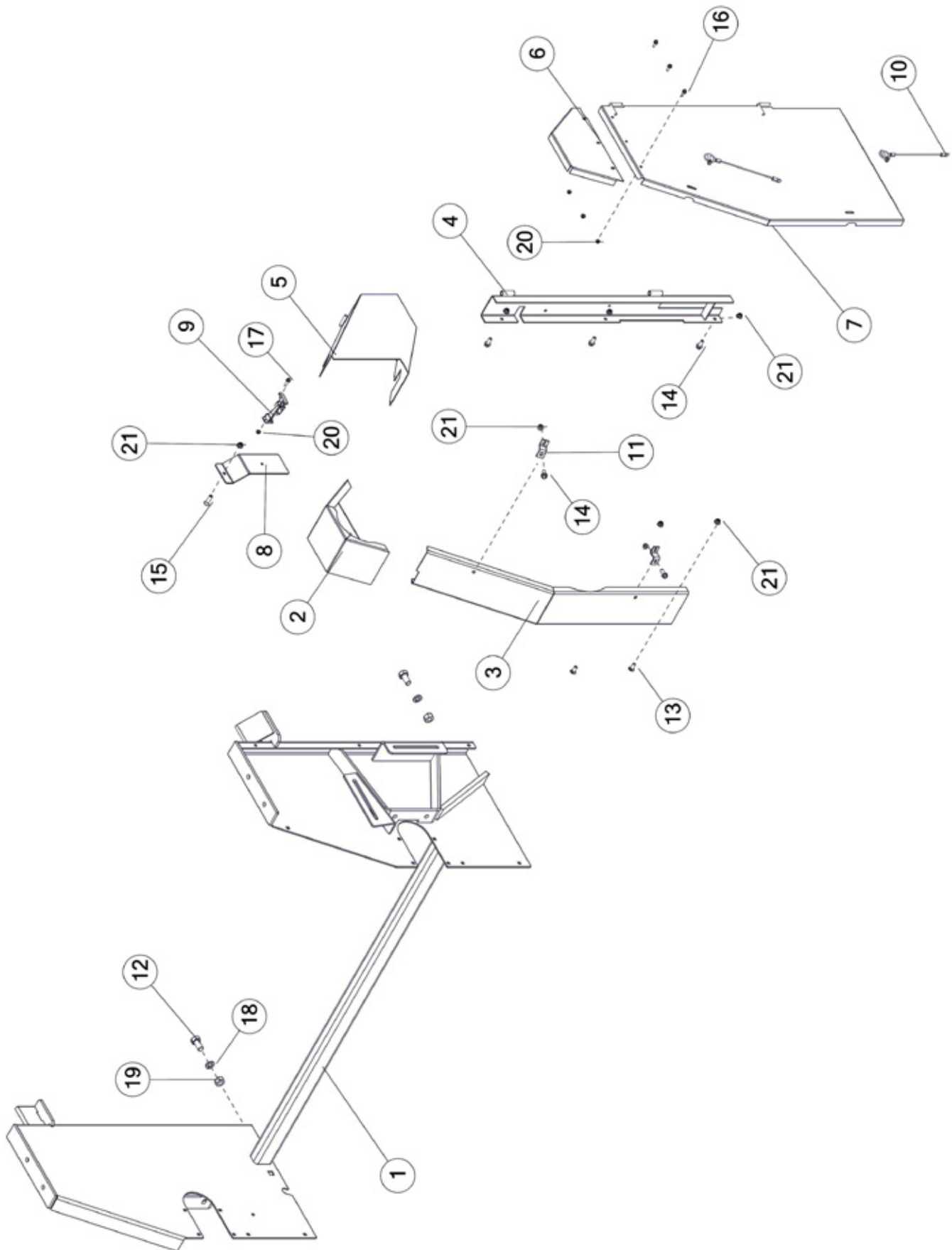


FIGURE 11

BEATER PANELS & COMPONENTS

<u>ITEM</u>	<u>QTY</u>	<u>PART#</u>	<u>DESCRIPTION</u>
1	1	42N35	BEATER PANEL
2	1	42N53	SECOND BEATER ANTI-WRAP
3	1	42N52	MAIN PANEL RIGHT END
4	1	42N55	SHIELD FILLER
5	1	42N56	CROSS SHAFT SHIELD
6	1	42N104	SECOND BEATER SHIELD
7	1	42N54	REAR SHIELD
8	1	42N105	BACK STAKE FILLER
9	1	X233	079-0101 LATCH ASSEMBLY
10	2	S122	LANYARD, CLIP PIN CABLE
11	2	84636	SHIELD LATCH
12	2	YBHH24010	BOLT HEX, 3/4 X 1-1/2 G5
13	2	YBCR12010	BOLT CARRIAGE, 3/8-16 X 1 G5 ZC
14	5	YBFB12003	BOLT FLANGE, 3/8 X 1 G5
15	1	YSFS12016	BOLT FLAT SOK, 3/8-16 X 1-1/2 ZC
16	3	YBFB08075	BOLT FLANGE, 1/4 X 3/4 G5
17	1	YBFB08100	BOLT FLANGE, 1/4 X 1 G5
18	2	YWLO24005	WASHER LOCK, 3/4
19	2	YNHX24005	NUT HEX, 3/4-10 NAA ZC
20	4	YNFG08010	NUT FLANGE, 1/4 GF
21	8	YNFG12006	NUT FLANGE, 3/8 GF

FIGURE 12 BEATERS & COMPONENTS

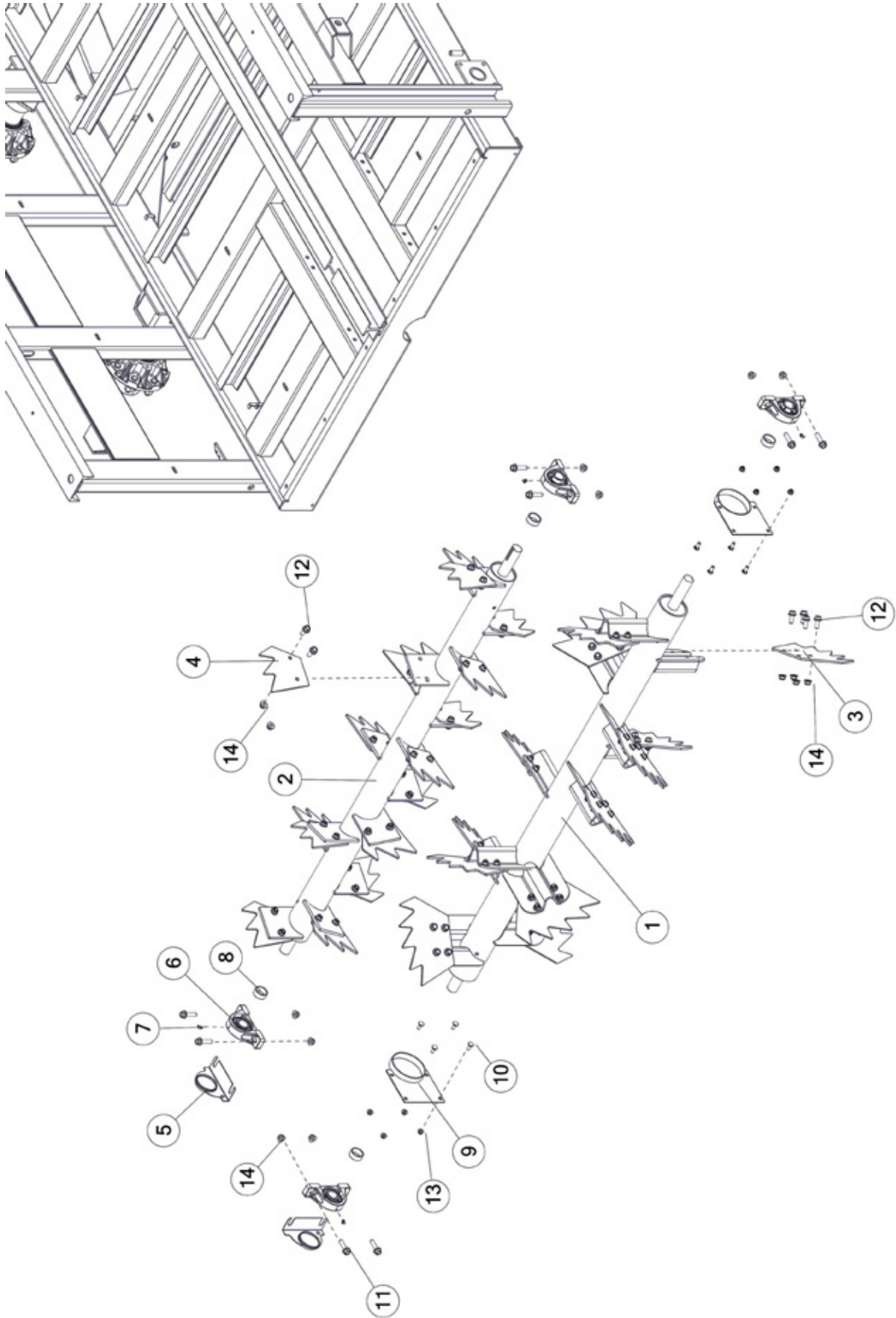


FIGURE 12

BEATERS & COMPONENTS

<u>ITEM</u>	<u>QTY</u>	<u>PART#</u>	<u>DESCRIPTION</u>
1	1	42N38	BEATER
2	1	42N42	SECOND BEATER
3	12	23N277	BEATER BLADE-HARDENED
4	16	45N27	BEATER BLADE
5	2	42N142	STUB SHAFT SHIELD
6	4	16SV72	PILLOW BLOCK BEARING W/ ZERK AT TOP
7	4	RG51	ZERK, 90 DEGREE 1/4-28
8	2	42N103	BEATER SPACER
9	2	42N40	BEATER SLOT FILLER
10	8	YBCR12010	BOLT CARRIAGE, 3/8-16 X 1 G5 ZC
11	8	YBFB16200	BOLT FLANGE, 1/2 X 2 G5
12	80	YBFB16125	BOLT FLANGE, 1/2 X 1-1/4 G5
13	8	YNFG12006	NUT FLANGE, 3/8 GF
14	88	YNFG16003	NUT FLANGE, 1/2 GF

FIGURE 13 **BEATER SPROCKETS & COMPONENTS**

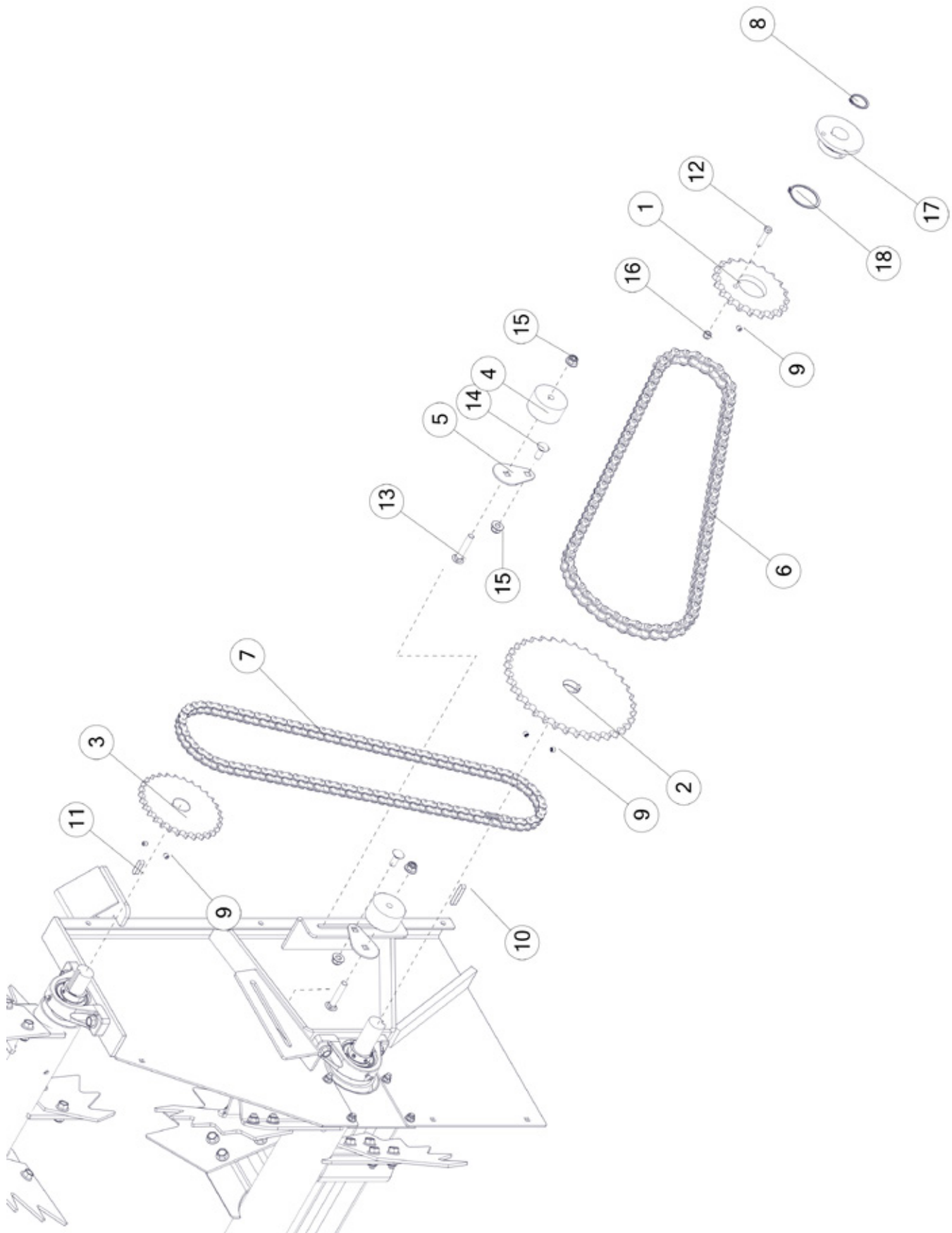


FIGURE 13

BEATER SPROCKETS & COMPONENTS

<u>ITEM</u>	<u>QTY</u>	<u>PART#</u>	<u>DESCRIPTION</u>
1	1	89937	SHEAR SPROCKET
2	1	42N47	WLDMT, HORIZONTAL BEATER SPKT
3	1	42N44	DRIVE SPROCKET, 30
4	2	42N50	POLY CHAIN TIGHTENER
5	2	42N51	TIGHTENER STOP
6	1	74563	ROLLER CHAIN, 80 X 88
7	1	42N45	ROLLER CHAIN, #60, 98P
8	1	12V62	HEAVY DUTY EXTERNAL SNAP RING, 1-1/2
9	5	YSKP12025	SET SCREW, SOCKET, KNURLED CUP PT, 3/8-16 X 3/8
10	1	42N141	SQUARE KEY, 3/8 X 2-1/4
11	1	S436	SQUARE KEY, 3/8 X 1-1/2
12	1	YBHH12060	BOLT HEX, 3/8 X 1-3/4 G5
13	2	YBCR16035	BOLT CARRIAGE, 1/2-13 X 2-3/4 G5 ZC
14	2	YBCR16015	BOLT CARRIAGE, 1/2-13 X 1-1/4 G5 ZC
15	4	YNFG16003	NUT FLANGE, 1/2 GF
16	1	YNNY12005	NUT HEX, 3/8-16 LKNY G2 ZC
17		89758	SHEAR HUB
18		23N189	SNAP RING, 2.44IN EXTERNAL

FIGURE 14
LIGHTS

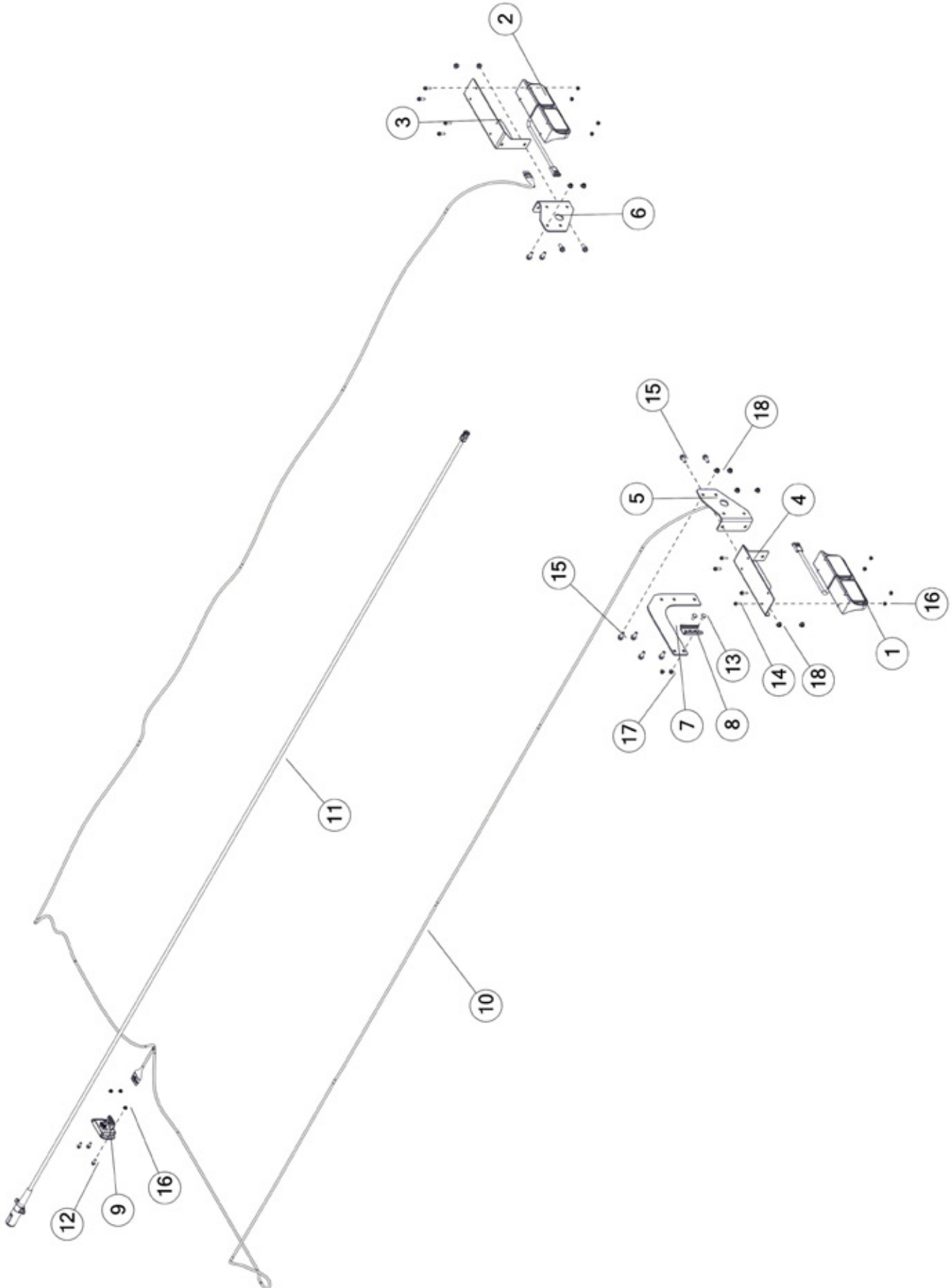


FIGURE 14 LIGHTS

<u>ITEM</u>	<u>QTY</u>	<u>PART#</u>	<u>DESCRIPTION</u>
1	1	TFM71	TAIL LIGHT, LH
2	1	TFM72	LED TAIL LIGHT ASSY, RH
3	1	90915	LIGHT BRACKET, RH
4	1	90914	LIGHT BRACKET, LH
5	1	90917	LIGHT BRACKET MOUNT, LH
6	1	90918	LIGHT BRACKET MOUNT, RH
7	1	42N43	SMV BRACKET
8	1	F97	SMV HOLDER
9	1	69908	MODULE, CONTROL, BLINKER
10	1	90927	ELECTRICAL HARNESS, TAILLIGHTS
11	1	1140	LIGHT HARNESS
12	3	YBFB08075	BOLT FLANGE, 1/4 X 3/4 G5
13	2	YBCR10030	BOLT CARRIAGE, 5/16-18 X 3/4 G5 ZC
14	8	YBFB08100	BOLT FLANGE, 1/4 X 1 G5
15	10	YBFB12003	BOLT FLANGE, 3/8 X 1 G5
16	11	YNFG08010	NUT FLANGE, 1/4 GF
17	2	YNFG10005	NUT FLANGE, 5/16 GF
18	10	YNFG12006	NUT FLANGE, 3/8 GF

FIGURE 15
GEARBOX

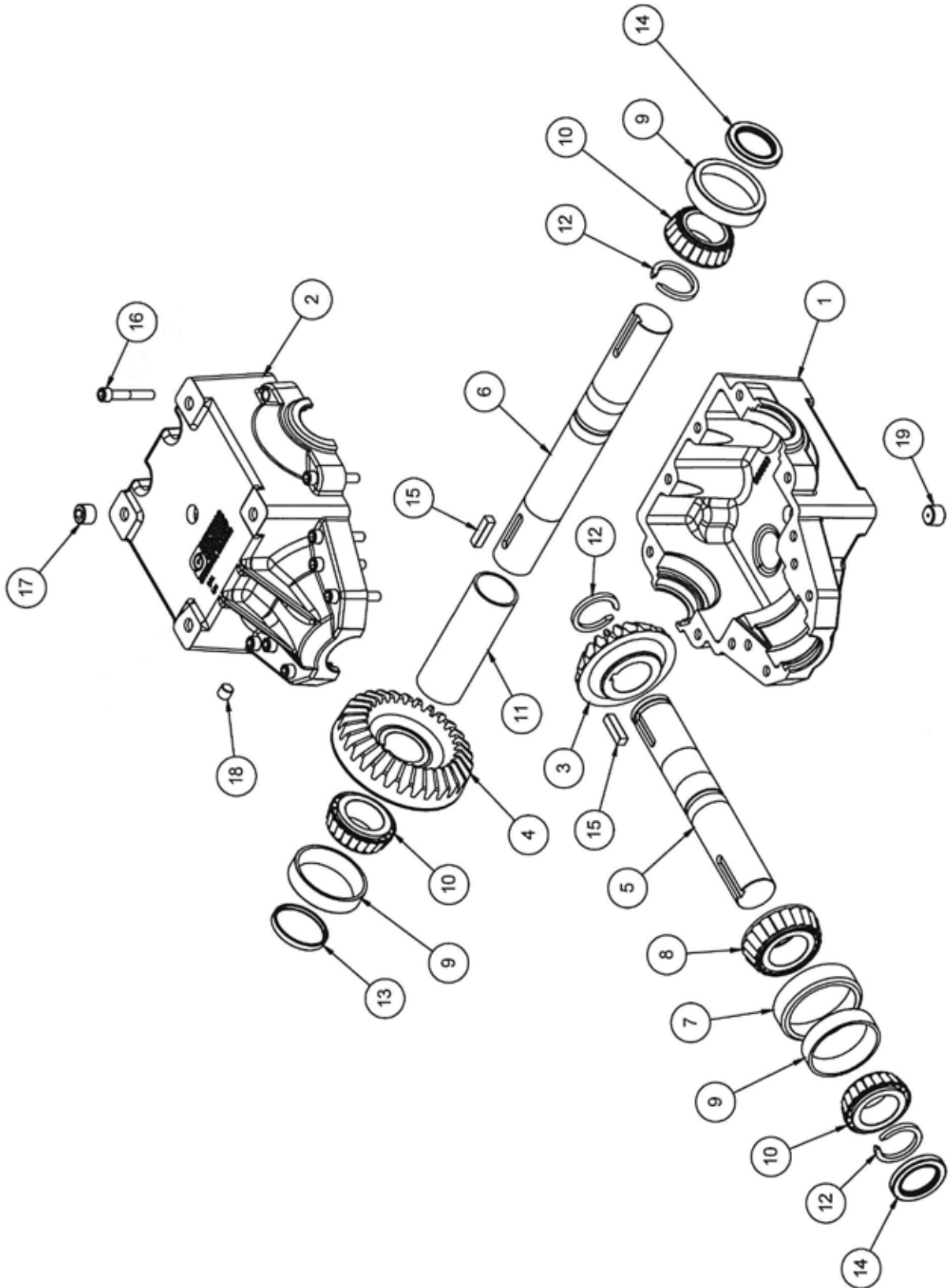


FIGURE 15 GEARBOX

<u>ITEM</u>	<u>QTY</u>	<u>PART#</u>	<u>DESCRIPTION</u>
1	1	HGV88	BOTTOM HOUSING
2	1	88365	HOUSING
3	1	88366	GEAR
4	1	88367	GEAR
5	1	90894	STUB SHAFT
6	1	88369	SHAFT
7	1	HGV112	BEARING CUP
8	1	HGV97	BEARING CONE
9	3	HGV92	BEARING CUP
10	3	HGV91	BEARING CONE
11	1	88370	SPACER
12	3	HGV98	RETAINING RING
13	1	HGV99	CAP
14	2	HGV93	OUTPUT SEAL
15	2	A32	SQUARE KEY W/ ROUND ENDS, 3/8 X 1-3/8
16	12	YSHS12012	SCREW SOCKET HEAD CAP, 3/8 X 2-1/4 G8
17	1	HGV95	PLUG, 1/2 NPT
18	1	88371	LEVEL PLUG
19	1	88372	VENT PLUG

FIGURE 16
OPTIONAL FLOW CONTROL (HPOVSC)

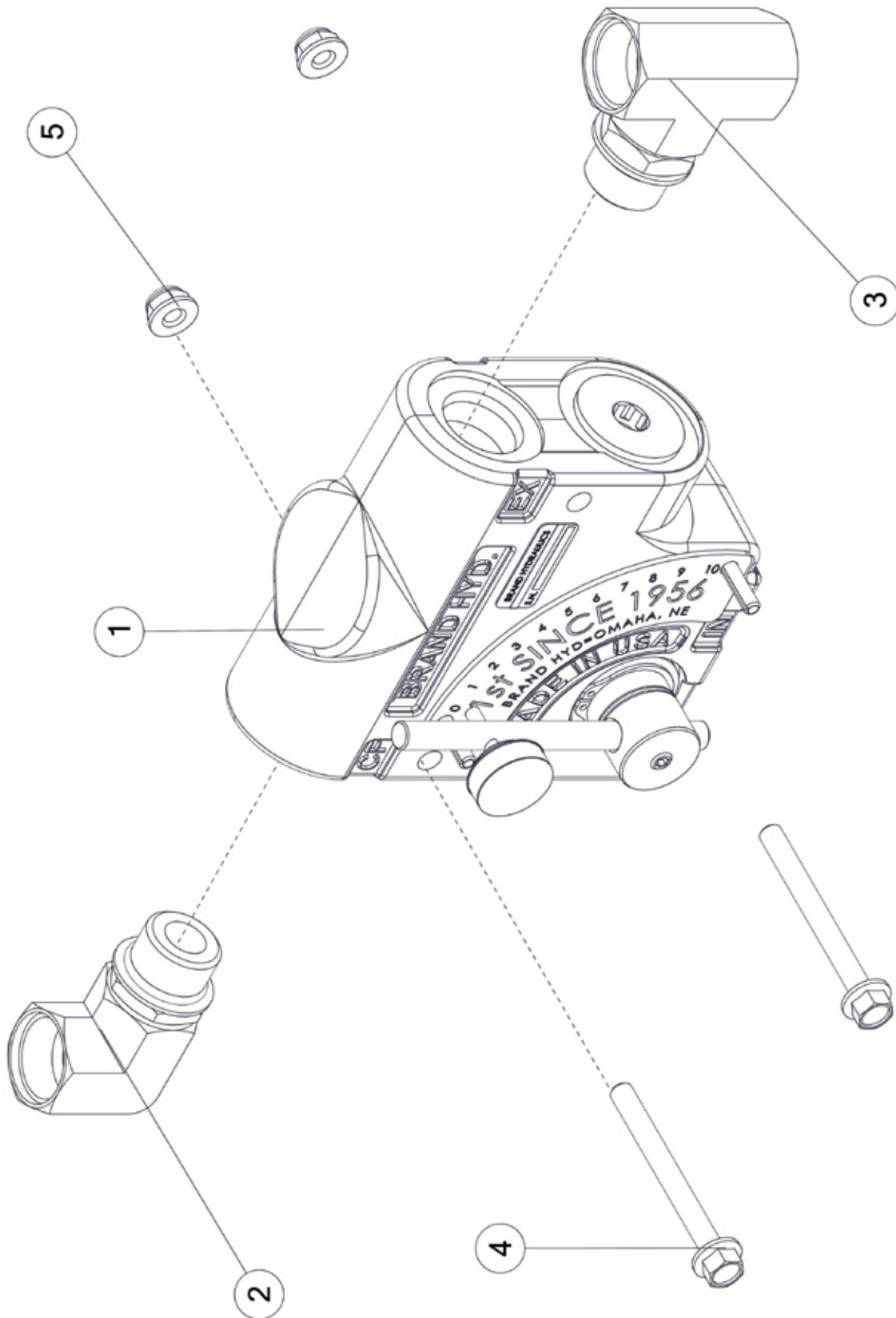


FIGURE 16
OPTIONAL FLOW CONTROL (HPOVSC)

<u>ITEM</u>	<u>QTY</u>	<u>PART#</u>	<u>DESCRIPTION</u>
1	1	89583	FLOW CONTROL
2	1	90157	FITTING 90, 10ORB, 10ORB
3	1	90158	FITTING T, 10ORB, 10ORB, 10ORB
4	2	YBFB08250	BOLT FLANGE, 1/4 X 2-1/2 G5
5	2	YNFG08010	NUT FLANGE, 1/4 GF

FIGURE 17
OPTIONAL PAN & COMPONENTS (MSHPOPAN)

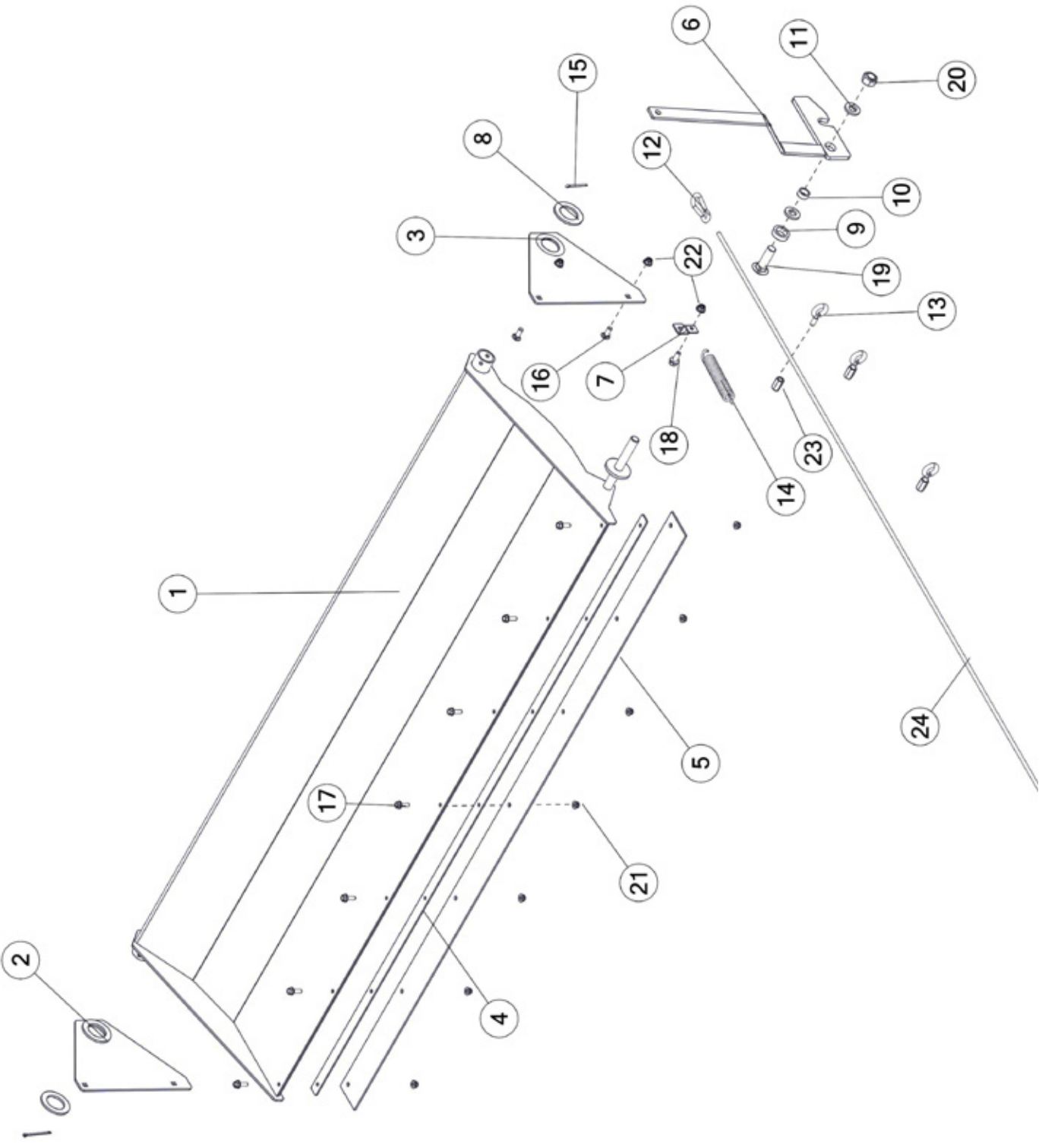


FIGURE 17
OPTIONAL PAN & COMPONENTS (MSHPOPAN)

<u>ITEM</u>	<u>QTY</u>	<u>PART#</u>	<u>DESCRIPTION</u>
1	1	42N127	PAN
2	1	42N129	PAN BRACKET, RH
3	1	42N128	PAN BRACKET, LH
4	1	42N130	RUBBER STRAP
5	1	42N131	RUBBER
6	1	42N133	LATCH
7	1	F69	SHIELD BRACKET
8	2	56N170	PAN WASHER
9	1	42N134	LATCH SPACER
10	1	42N132	LATCH BUSHING
11	2	T73	WASHER FLAT, 3/4
12	1	YMSN10005	SNAP HOOK, 5/16
13	3	YBTE12005	BOLT TURNED EYE, 3/8-16X1 144ZC
14	1	ST36	TENSION SPRING
15	2	YPCT06020	COTTER PIN, 3/16 X 2
16	2	YBCR12010	BOLT CARRIAGE, 3/8-16 X 1 G5 ZC
17	7	YBFB10001	BOLT FLANGE, 5/16 X 1 G5
18	1	YBFB12003	BOLT FLANGE, 3/8 X 1 G5
19	1	YBCR24003	BOLT CARRUAGE, 3/4-10 X 2-1/2 G5 ZC
20	1	YNL24005	NUT HEX, 3/4-10 LKTL C ZC
21	7	YNFG10005	NUT FLANGE, 5/16 GF
22	2	YNFG12006	NUT FLANGE, 3/8 GF
23	3	YNCO12005	NUT HEX, COUPLING, 3/8-16 X 1-1/8 NAA ZC
24	1	42N136	ROPE, 5/16 X 216

FIGURE 18
OPTIONAL VARIABLE SPEED CONTROL (HPOVSEC)

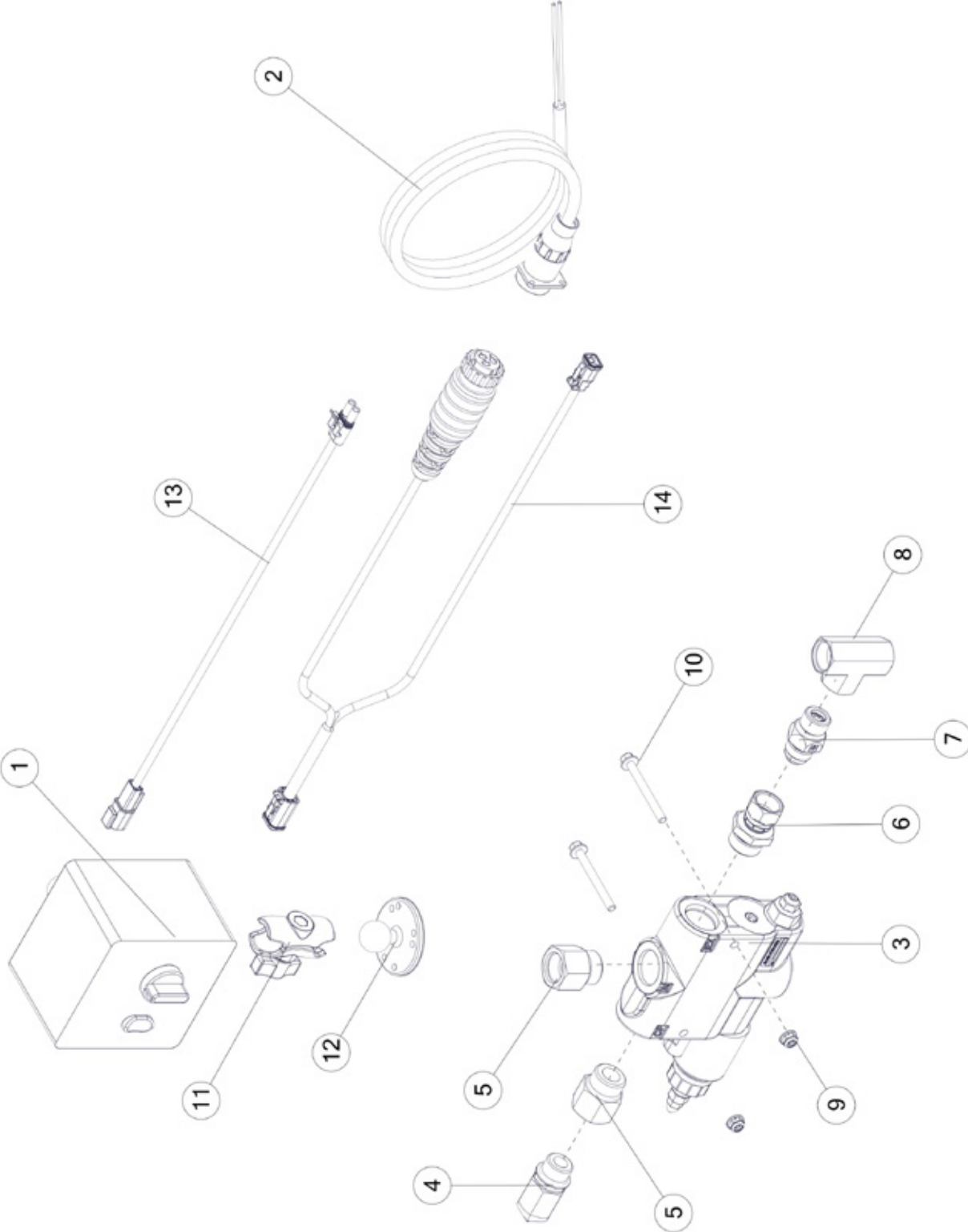


FIGURE 18
OPTIONAL VARIABLE SPEED CONTROL (HPOVSEC)

<u>ITEM</u>	<u>QTY</u>	<u>PART#</u>	<u>DESCRIPTION</u>
1	1	91719	CONTROL BOX
2	1	16SV269	TRACTOR CONTROL CABLE
3	1	89668	ELECTRIC FLOW CONTROL
4	1	90157	FITTING 90, 10ORB, 10ORB
5	2	69135	FITTING STRAIGHT, 12ORB, 10ORB
6	1	91704	FITTING STRAIGHT, 10JIC, 12ORB
7	1	91722	FITTING STRAIGHT, 10JIC, 10ORB, CHECK
8	1	91707	FITTING TEE, 10ORB, 10ORB, 10ORB
9	2	YNFG08010	NUT FLANGE, 1/4 GF
10	2	YBFB08250	BOLT FLANGE, 1/4 X 2-1/2 G5
11	1	85272	RAM DOUBLE SOCKET SHORT ARM
12	1	71445	MOUNT, RAM, CTRL MOUDULE
13	1	91712	IMPLEMENT HARNESS
14	1	91713	CAB HARNESS

FIGURE 19
HPO1034CV PTO

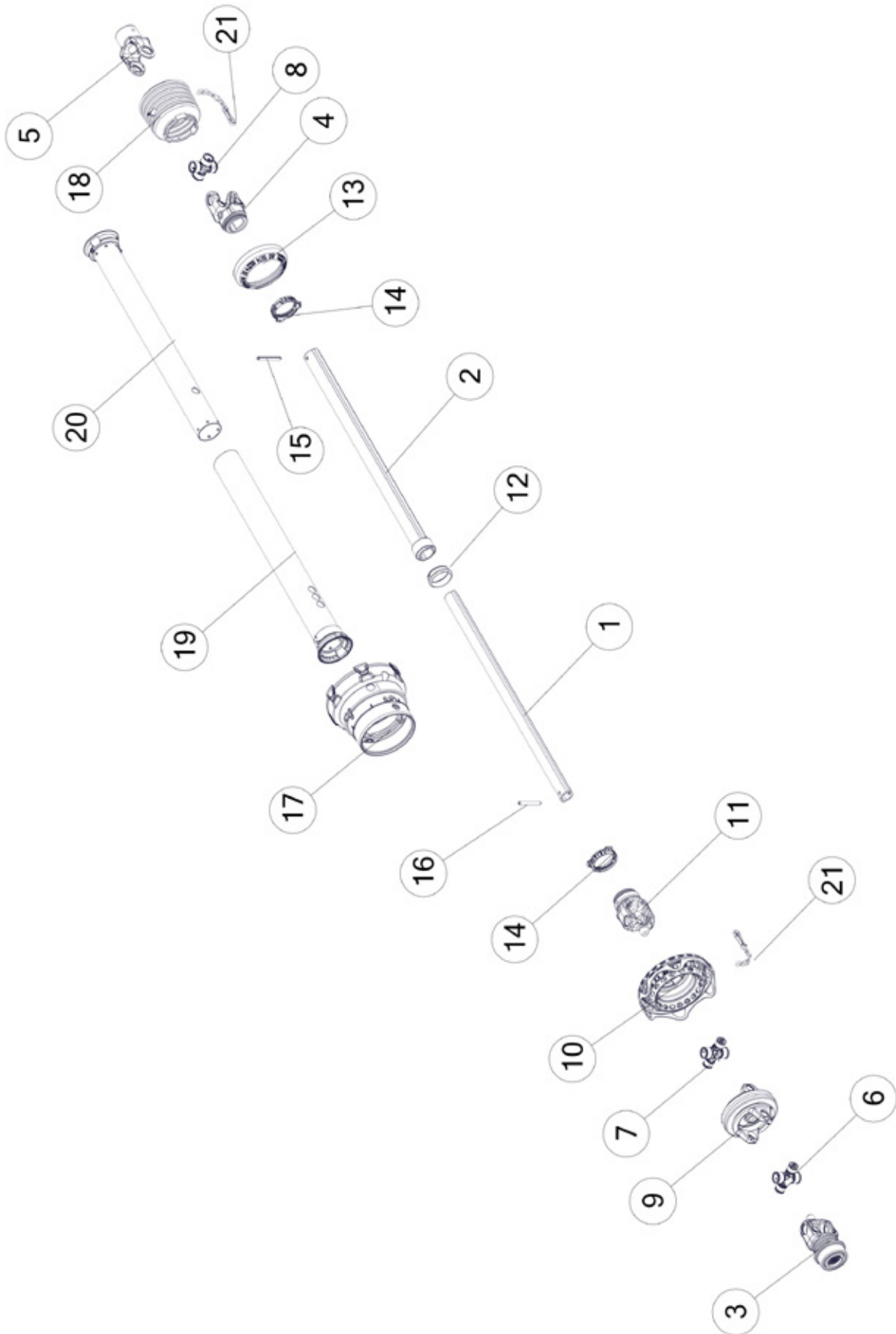


FIGURE 19
HPO1034CV PTO

<u>ITEM</u>	<u>QTY</u>	<u>PART#</u>	<u>DESCRIPTION</u>
1	1	89772	INNER SHAFT
2	1	89790	OUTER SHAFT
3	1	89799	YOKE
4	1	89787	YOKE
5	1	89789	YOKE
6	1	89768	CROSS AND BEARING KIT
7	1	89770	CROSS AND BEARING KIT
8	1	89786	CROSS AND BEARING KIT
9	1	89769	DOUBLE YOKE
10	1	89776	NET GUARD
11	1	89771	INBOARD YOKE
12	1	89793	SUPPORT BEARING
13	1	89792	REINFORCING COLLAR
14	2	87919	BEARING RING
15	1	87920	SPRING PIN
16	1	89773	SPRING PIN
17	1	89784	CV GUARD
18	1	87926	GUARD CONE
19	1	89774	OUTER GUARD TUBE
20	1	89791	GUARD TUBE INNER
21	2	87916	RESTRAINT CHAIN
*	1	89800	COMPLETE PTO

FIGURE 20
HPO1038CV PTO

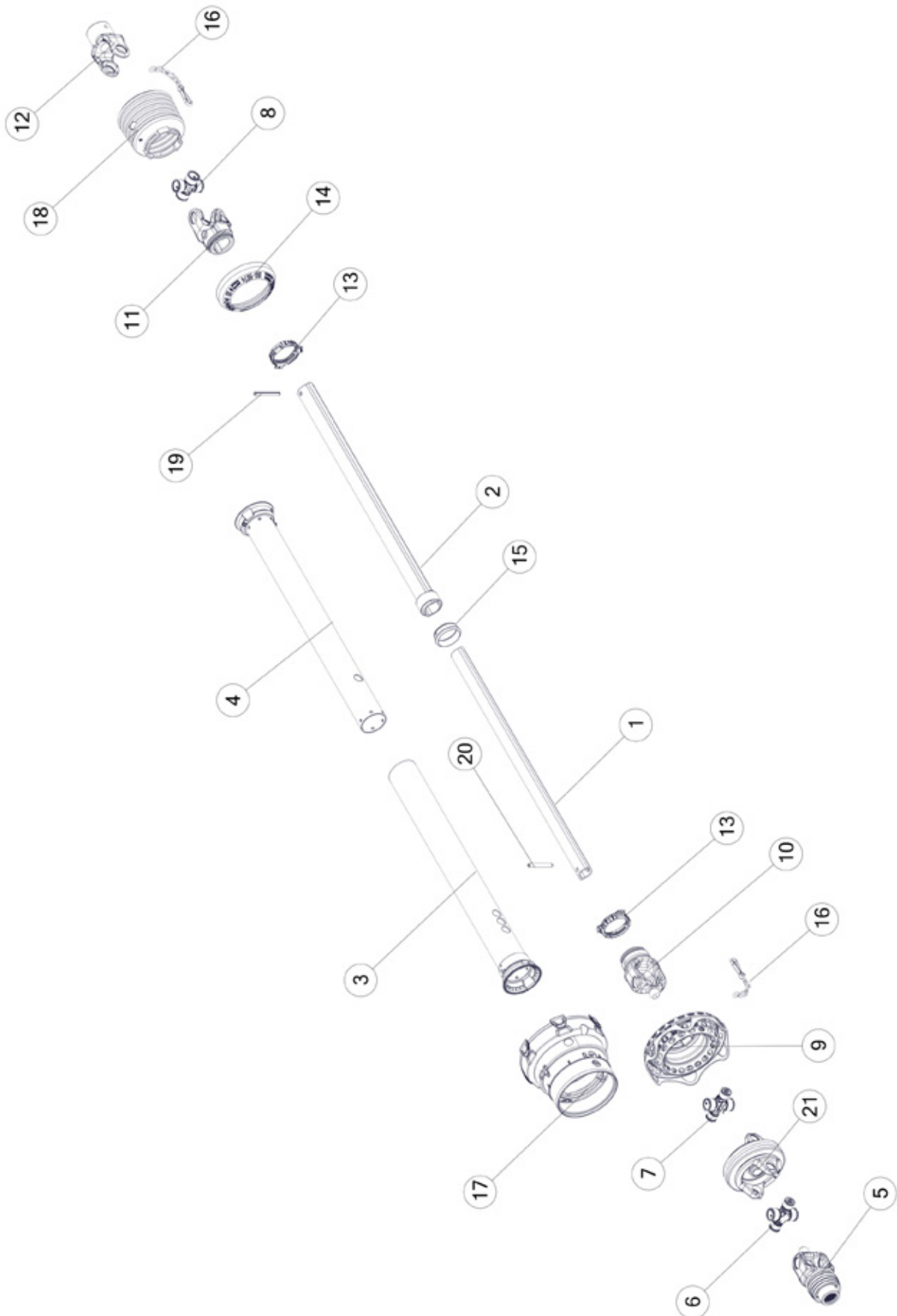


FIGURE 20
HPO1038CV PTO

<u>ITEM</u>	<u>QTY</u>	<u>PART#</u>	<u>DESCRIPTION</u>
1	1	89772	INNER SHAFT
2	1	89790	OUTER SHAFT
3	1	89774	OUTER GUARD TUBE
4	1	89791	GUARD TUBE INNER
5	1	89767	YOKE ASSEMBLY
6	1	89768	CROSS AND BEARING KIT
7	1	89770	CROSS AND BEARING KIT
8	1	89786	CROSS AND BEARING KIT
9	1	89776	NET GUARD
10	1	89771	INBOARD YOKE
11	1	89787	YOKE
12	1	89789	YOKE
13	2	87919	BEARING RING
14	1	89792	REINFORCING COLLAR
15	1	89793	SUPPORT BEARING
16	2	87916	RESTRAINT CHAIN
17	1	89784	CV GUARD
18	1	87926	GUARD CONE
19	1	87920	SPRING PIN
20	1	89773	SPRING PIN
21	1	89769	DOUBLE YOKE
*	1	89794	COMPLETE PTO

CHANGE NOTES

H&S MFG. CO.

products approved

for the

FEMA

SEAL OF QUALITY



Manufactured by

H&S MANUFACTURING CO., INC.

2608 S. HUME AVE. MARSHFIELD, WI 54449

(715) 387-3414 | hsmfgco.com

