



HPH4242

MANURE SPREADER

PARTS BOOK

Part #89978

HSMFG011822

Rev. #01

Starting Ser. #222HP42001

STRONG HERITAGE - STRONG PEOPLE - STRONGER FUTURE



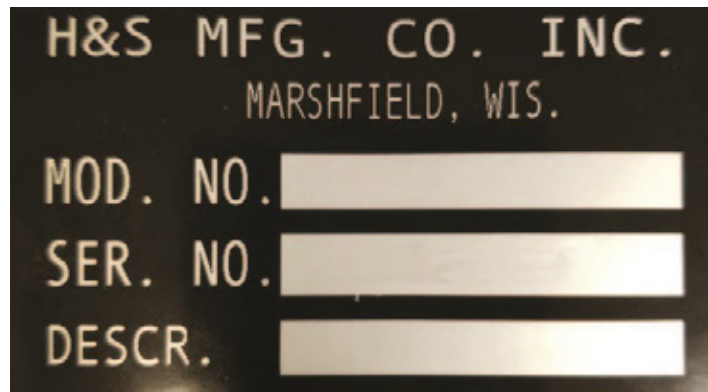
INSTRUCTIONS FOR ORDERING PARTS

All service parts should be ordered through your authorized H&S dealer. Your Dealership will be able to give you faster service if you will provide them with the following:

1. All references to left or right apply to the machine as viewed from the rear.
2. Parts should not be ordered from illustration only. Please order complete part number.
3. If your dealer has to order parts - give shipping instructions:

VIA truck - large pieces (please specify local truck lines)

VIA United Parcel Service (include full address)



MODEL & SERIAL NUMBER LOCATED ON
FRONT, LEFT SIDE OF PTO BEARING SUPPORT MOUNT

PLEASE RECORD NUMBERS FOR YOUR UNIT FOR QUICK REFERENCE

H&S IS CONTINUALLY STRIVING TO IMPROVE ITS PRODUCTS

We must, therefore, reserve the right to make improvements or changes whenever it becomes practical to do so, without incurring any obligation to make changes or additions to the equipment previously sold.





FIGURE 1
HITCH & COMPONENTS

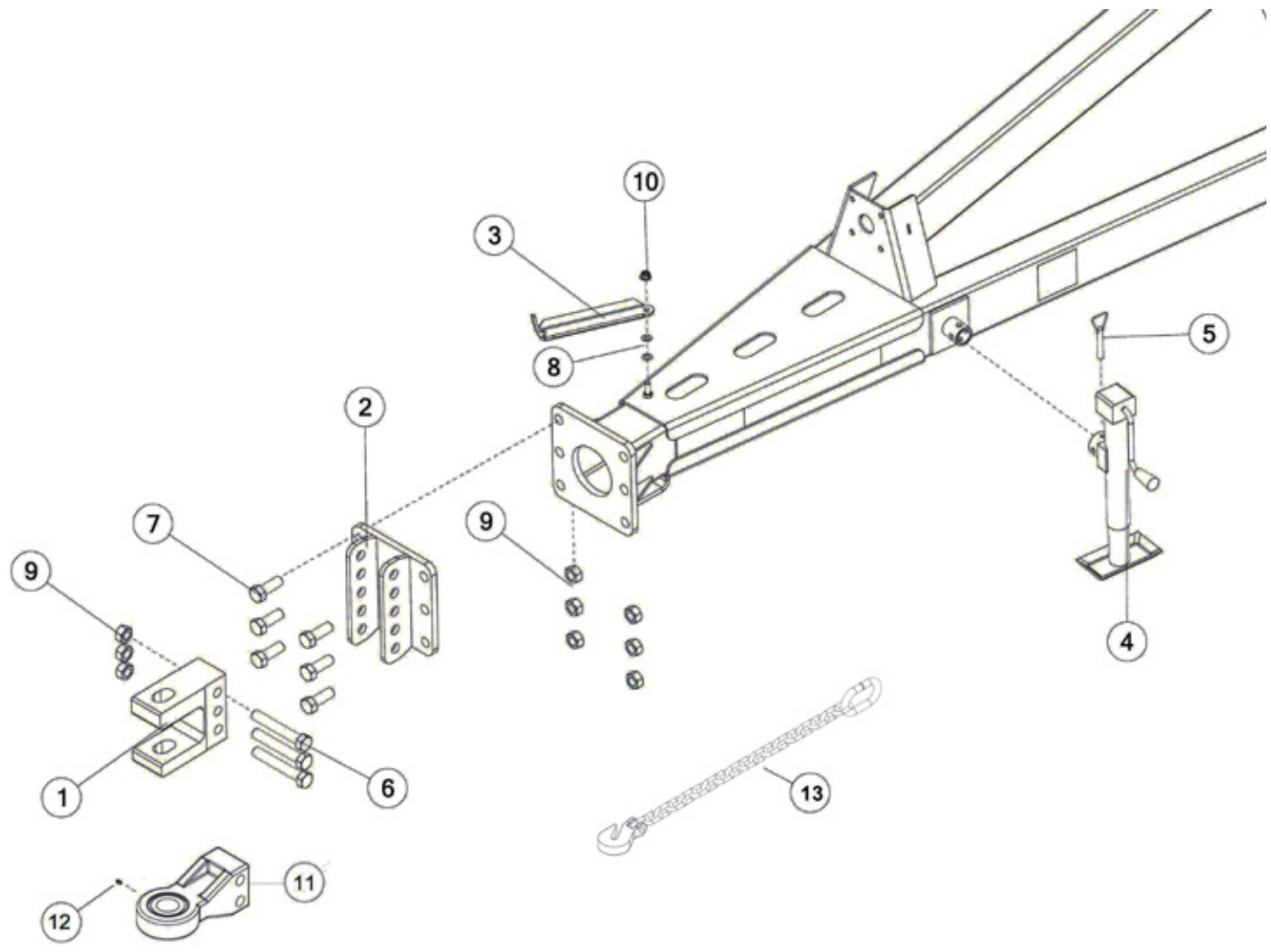




FIGURE 1 HITCH & COMPONENTS

REF #	PART #	DESCRIPTION	QTY
1	56310	HEAVY CLEVIS OPTION	1
2	89538	HITCH MOUNT	1
3	42N2	PTO HOLDER	1
4	27N49	JACK W/MOUNT-5000# SW 10" LIFT	1
5	12N117	PIN, 0.56, 5.19, JACK	1
6	YBHH32028	BOLT HEX, 1-8 X 6-1/2 G8 ZY	3
7	YBHH32006	BOLT HEX, 1-8 X 2-3/4 G5	6
8	42N3	SPRING	2
9	YNTL32005	NUT HEX, 1-8 LKTL C ZC	9
10	YNFG16003	NUT FLANGE, 1/2 GF	1
11	58290	ARTICULATING HITCH OPTION	1
12	G89	STRAIGHT ZERK, 1/4	1
13	SC40500	SAFETY CHAIN, 40,500 LB RATING, OPTIONAL	1





FIGURE 2
FLOOR & SIDE COMPONENTS

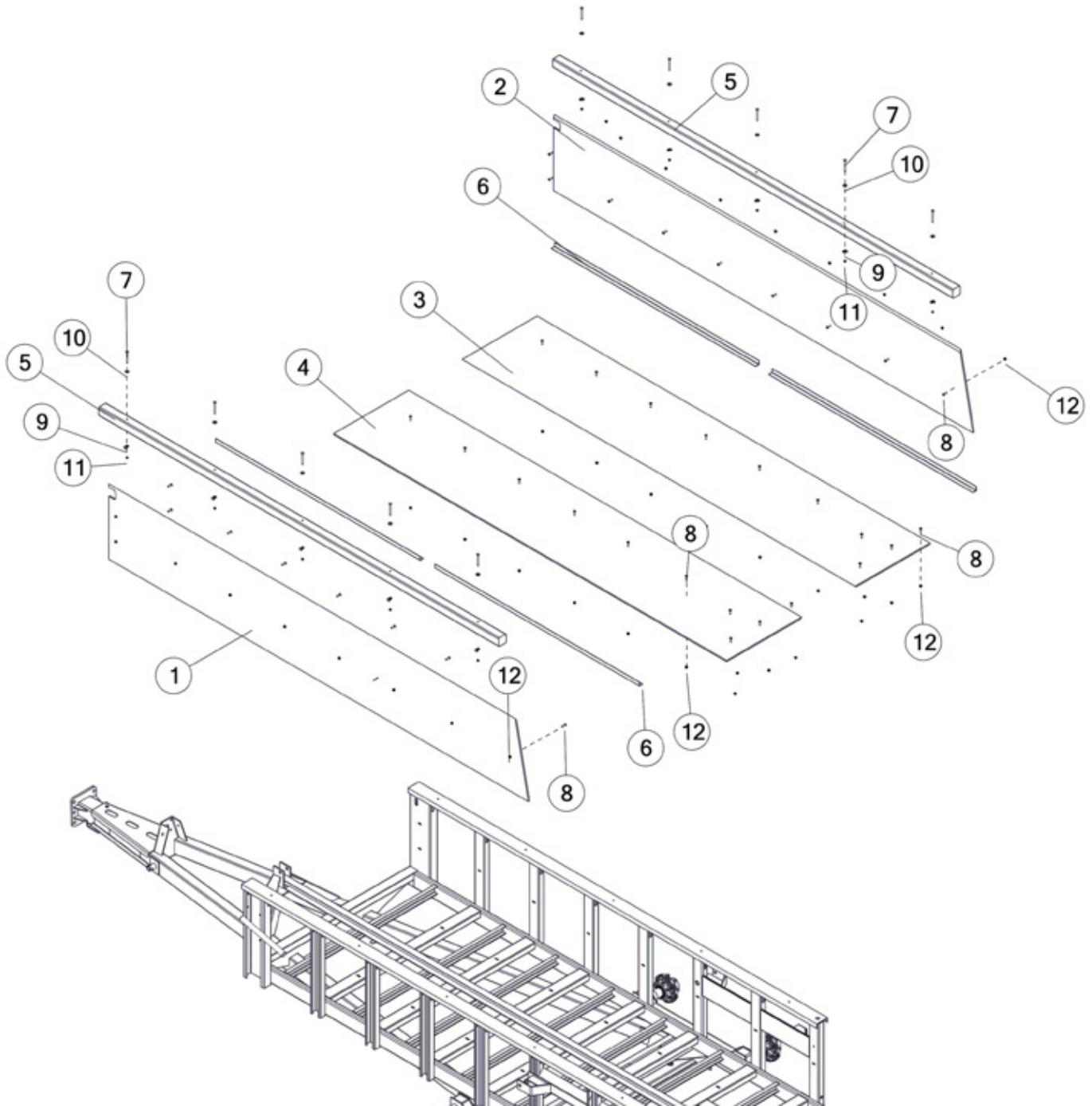




FIGURE 3
PTO SHIELD & COMPONENTS

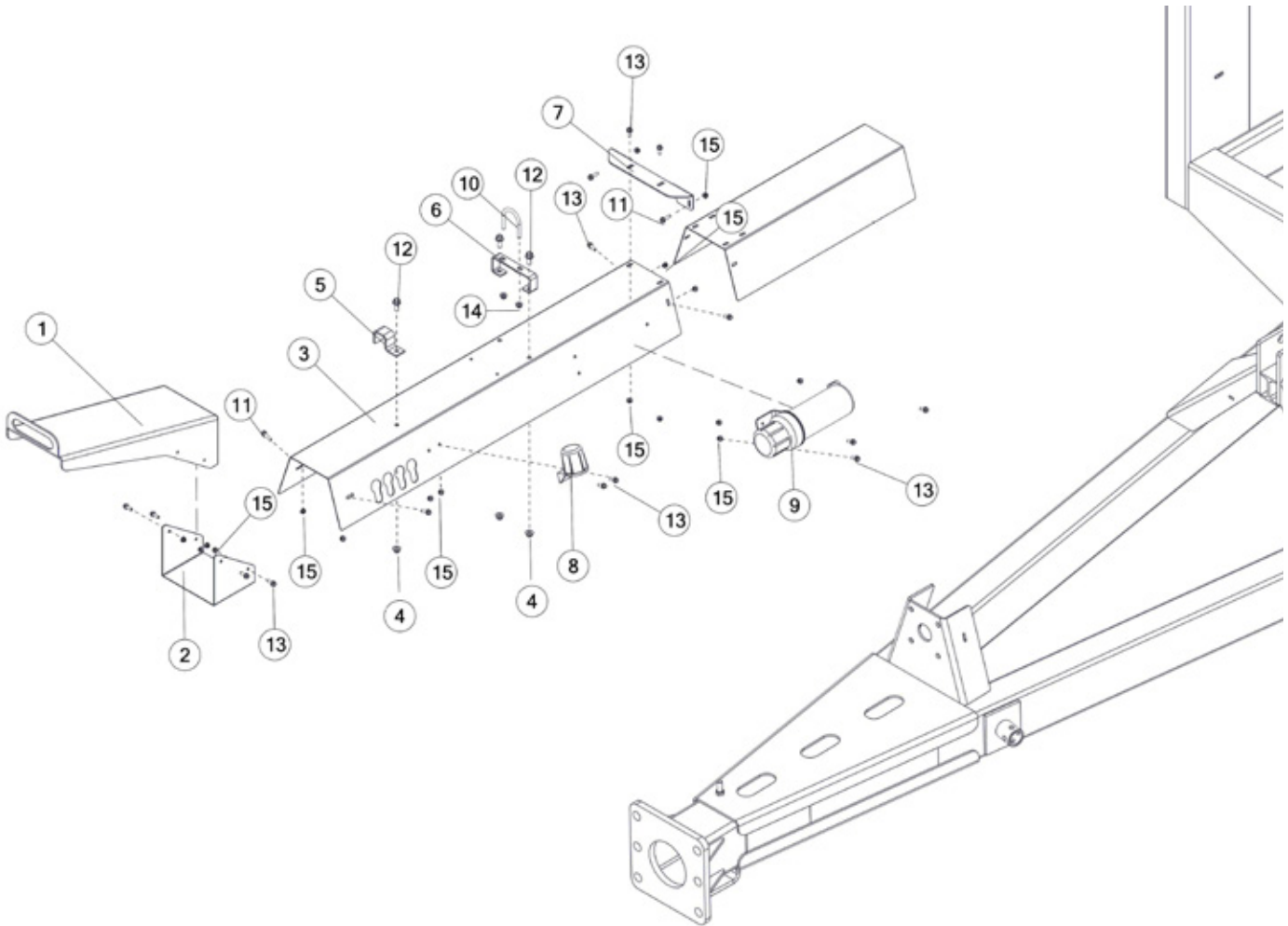




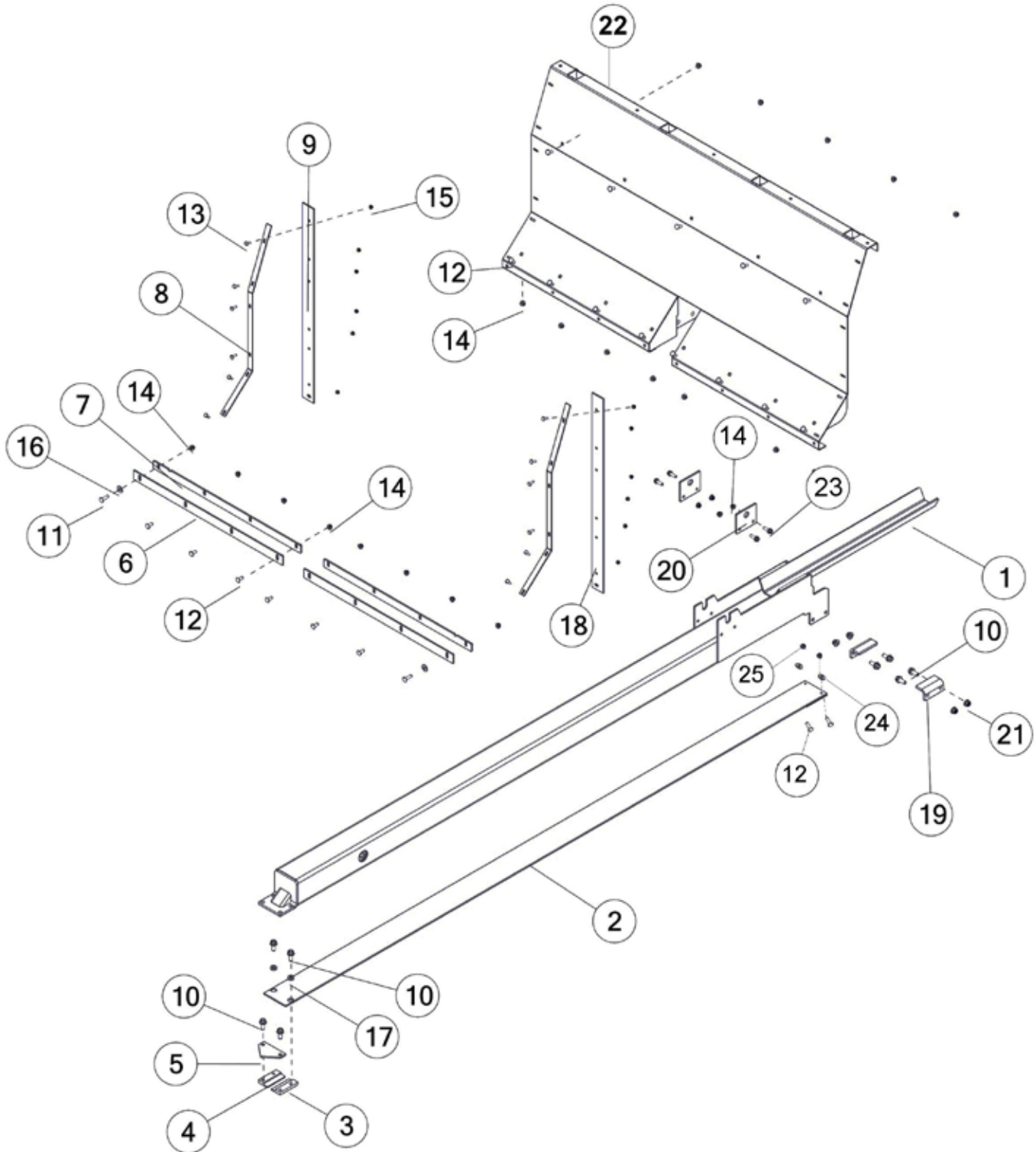
FIGURE 3
PTO SHIELD & COMPONENTS

REF #	PART #	DESCRIPTION	QTY
1	90164B	PTO SHIELD W/DECALS	1
2	90168	LOWER PTO SHIELD	1
3	88914B	INPUT SHIELD W/DECALS	1
4	YNFG12006	NUT FLANGE, 3/8 GF	3
5	HE14	SMALL PIPE BRACKET	1
6	89639	HOSE HOLDER	1
7	88927	INPUT SHIELD ANGLE	1
8	CHM38	PLUG STORAGE	1
9	S522	MANUAL HOLDER	1
10	YBPU10007	PIPE U BOLT, 5/16 X 1-1/2	1
11	YBFB08100	BOLT FLANGE, 1/4 X 1 G5	4
12	YBFB12003	BOLT FLANGE, 3/8 X 1 G5	3
13	YBFB08075	BOLT FLANGE, 1/4 X 3/4 G5	13
14	YNFG10005	NUT FLANGE, 5/16 GF	2
15	YNFG08010	NUT FLANGE, 1/4 GF	17





FIGURE 4 PUSHER COMPONENTS



REF #	PART #	DESCRIPTION	QTY
1	42N74	MOVEABLE FLOOR TUBE	1
2	42N149	PUSHER TUBING SLIDE	1
3	42N78	END CAP CLAMP RIGHT	1
4	42N79	END CAP CLAMP LEFT	1
5	42N151	SCRAPER	1
6	42N139	PUSHER BOTTOM RUBBER	2
7	42N81	PUSHER WIPER	2
8	42N82	PUSHER RUBBER STRAP	2
9	42N92	PUSHER RUBBER	1
10	YBFB16150	BOLT FLANGE, 1/2 X 1-1/2 G5	8
11	YBCR12015	BOLT CARRIAGE, 3/8-16 X 1-1/2 G5 ZC	2
12	YBCR12010	BOLT CARRIAGE, 3/8-16 X 1 G5 ZC	21
13	YBCR08005	BOLT CARRIAGE, 1/4-20 X 1 G5 ZC	12
14	YNFG12006	NUT FLANGE, 3/8 GF	25
15	YNFG08010	NUT FLANGE, 1/4 GF	12
16	YWFL14005	WASHER FLAT, 7/16 USS ZINC	2
17	42N150	POLY SPACER	2
18	42N93	PUSHER RUBBER	1
19	42N76	PUSH TUBE FRONT GUIDE	2
20	42N77	CYLINDER RETAINER	2
21	YNFG16003	NUT FLANGE, 1/2	4
22	90074	PUSHER FRAME	1
23	YBHH12035	BOLT HEX, 3/8 X 1-1/4 G5	4
24	YWLO12005	WASHER LOCK, 3/8	2
25	YNHX12005	NUT HEX, 3/8-16 NAA ZC	2





FIGURE 5 PUSHER EXTENSION & COMPONENTS

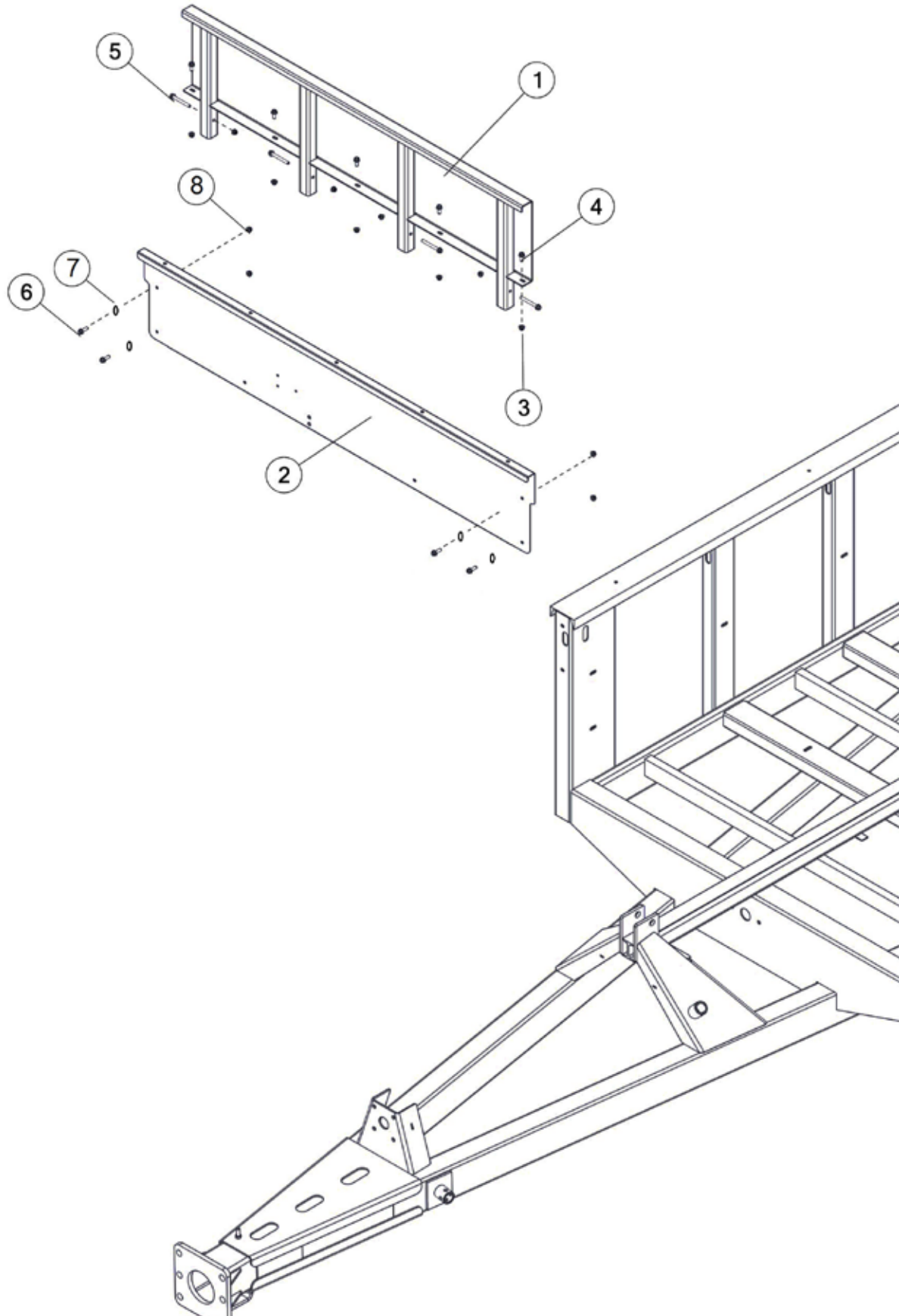




FIGURE 5
PUSHER EXTENSION & COMPONENTS

REF #	PART #	DESCRIPTION	QTY
1	90065	PUSHER EXTENSION	1
2	89619B	FRONT PANEL W/DECALS	1
3	YNFG12006	NUT FLANGE, 3/8 GF	9
4	YBFB12003	BOLT FLANGE, 3/8 X 1 G5 ZC	5
5	YBFB12350	BOLT FLANGE, 3/8 X 3-1/2 G5	4
6	YBFB16125	BOLT FLANGE, 1/2 X 1-1/4 G5	4
7	YWFL18005	WASHER FLAT, 9/16	4
8	YNFG16003	NUT FLANGE, 1/2 GF	4





FIGURE 6 PUSHER SPACERS & COMPONENTS

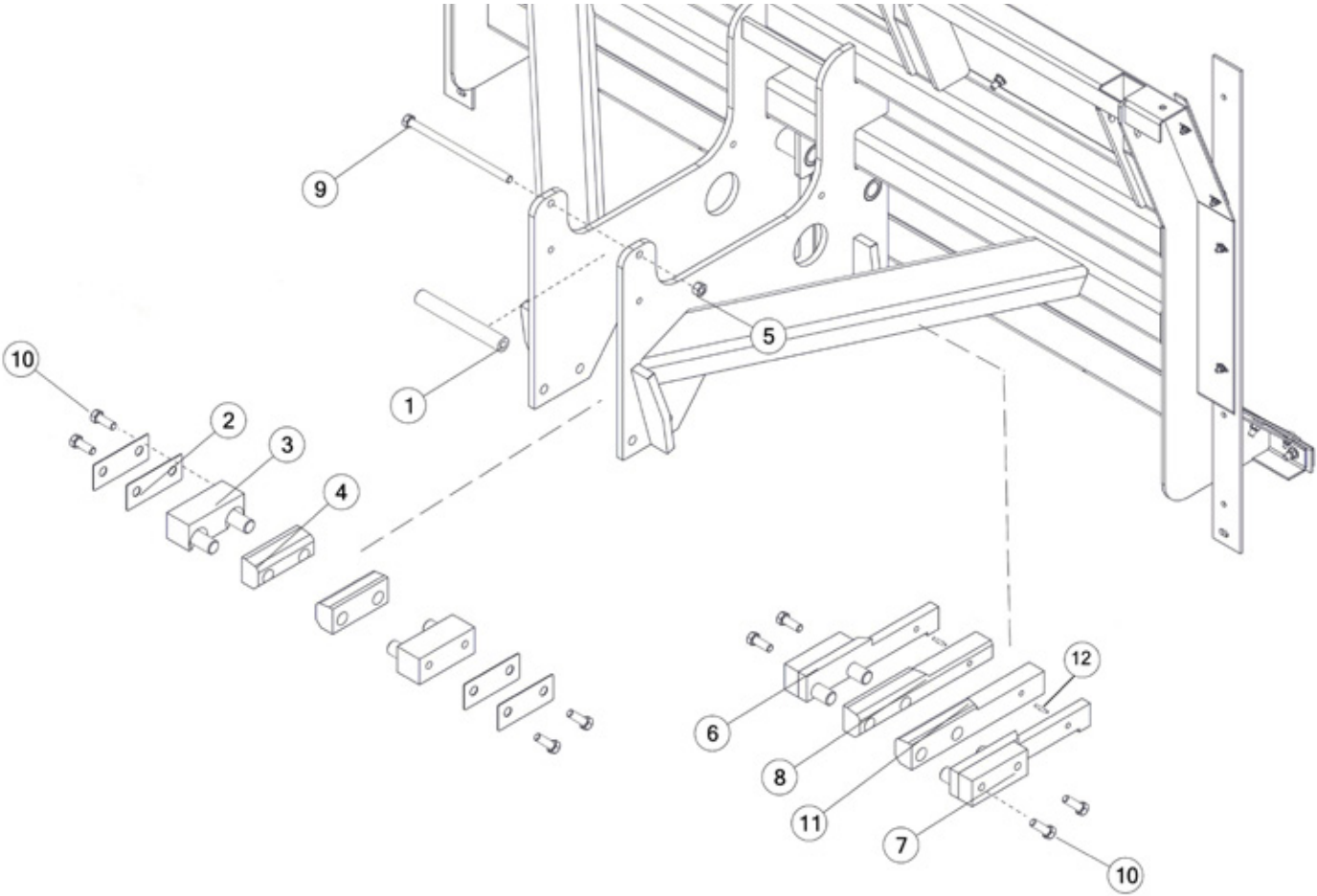




FIGURE 6

PUSHER SPACERS & COMPONENTS

REF #	PART #	DESCRIPTION	QTY
1	42N91	PUSHER SPACER	1
2	42N114	PUSHER SHIM	4
3	42N85	POLY BLOCK SPACER FRONT	2
4	42N86	PUSHER POLY SLIDE	2
5	YNRL16005	NUT HEX, 1/2-13 LKRS A ZC	1
6	42N87	POLY BLOCK SPACER RIGHT	1
7	42N90	POLY BLOCK SPACER LEFT	1
8	42N88	PUSHER POLY SLIDE RIGHT	1
9	YBHH16185	BOLT HEX, 1/2 X 9 G5	1
10	YBHH20015	BOLT HEX, 5/8 X 1-1/4 G5	8
11	42N89	PUSHER POLY SLIDE, LH	1
12	YPEX12020	EXPANSON PIN, 3/8 X 2	2





FIGURE 7

GEARBOX DRIVE & COMPONENTS

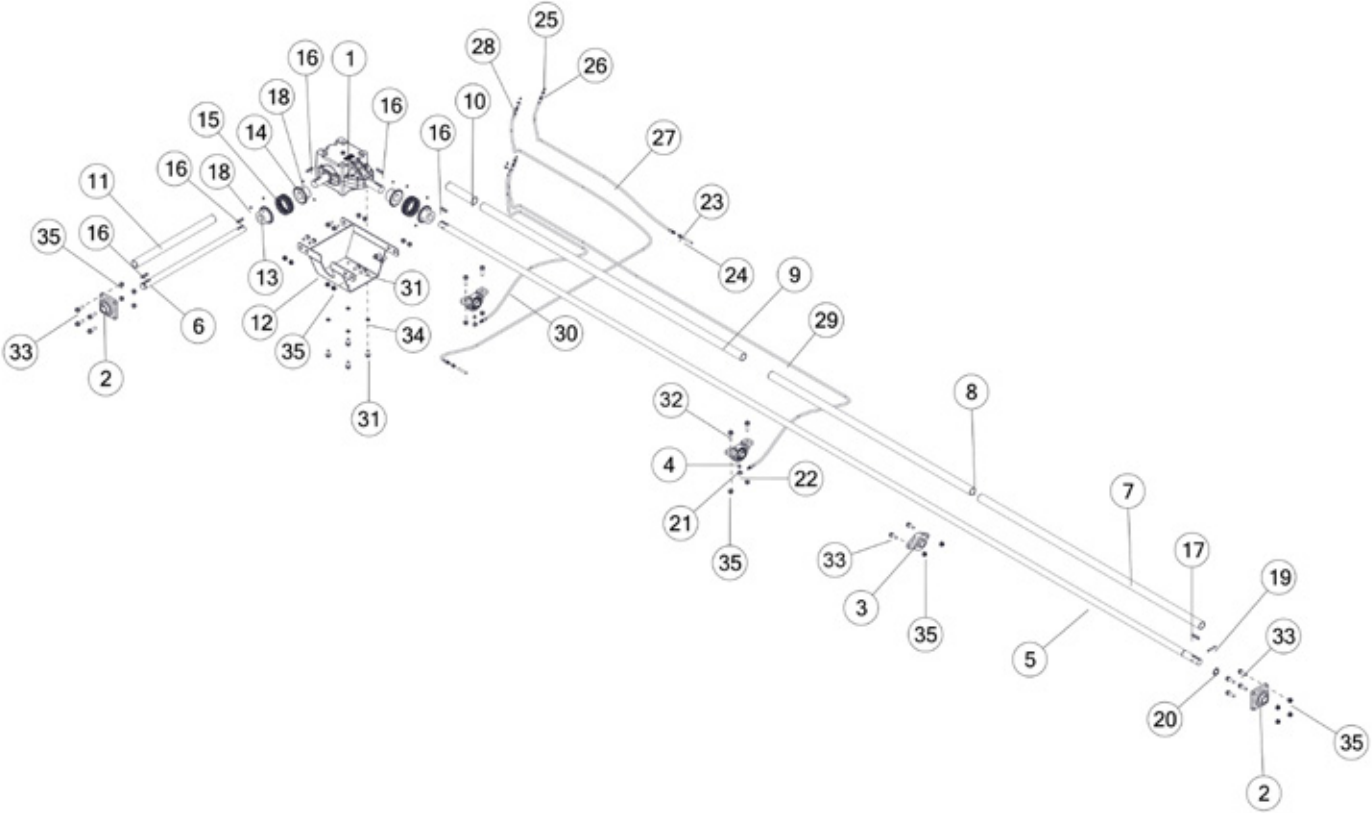




FIGURE 7

GEARBOX DRIVE & COMPONENTS

REF #	PART #	DESCRIPTION	QTY
1	89515	COMPLETE GEARBOX	1
2	12V99	BRG, 5.13 X 1.50 X 2.02, FLANGE	2
3	42N18	PILLOW BLOCK BEARING W/STRAIGHT, 1-1/2	1
4	60659	BEARING	2
5	87954	INPUT SHAFT	1
6	56783	CROSS SHAFT - FOR CLUTCH	1
7	42N16	INPUT PVC SHIELD	1
8	42N19	DRIVE SHAFT CENTER PVC SHIELD	1
9	89518	DRIVE SHAFT MIDDLE PVC SHIELD	1
10	87955	DRIVE SHAFT BACK PVC SHIELD	1
11	42N23	CROSS SHAFT PVC SHIELD	1
12	89568	GEARBOX MOUNT	1
13	42N24	SPROCKET 50-B-20 1-1/2 BORE	2
14	42N25	SPROCKET 50-B-20 1-3/4 BORE	2
15	HGV124	CONNECTOR CHAIN #50 X 20	2
16	56N174	SQRE KEY, 3/8 X 2	4
17	S138	SQRE KEY, 3/8 X 2-3/8	1
18	YSKP12025	SET SCR, SOCKET, KNURLED CUP PT, 3/8-16 X 3/8	8
19	YPEX12025	EXPANSION PIN, 3/8 X 2-3/4	1
20	12V62	HEAVY DUTY EXTERNAL SNAP RING, 1-1/2	1
21	TS323	FITTING STRAIGHT, 1/4-28, 1/8-27NPT	2
22	58453	FITTING, 90, 1/8NPT, 1/8NPT	2
23	88827	FITTING STRAIGHT, 1/8NPT, 1/8NPT	2
24	66077	NIPPLE, 1/8 MALE PIPE X 2-1/2	2
25	G89	STRAIGHT ZERK, 1/2-28	4
26	YNJM04005	NUT JAM, 1/8 A	4
27	88909	GREASE HOSE, 3, 66	1
28	89728	GREASE HOSE, 3, 134	1
29	89725	GREASE HOSE, 3, 161	1
30	89723	GREASE HOSE, 3, 77	1
31	YBFB16125	BOLT FLANGE, 1/2 X 1-1/4 G5	12
32	YBFB16200	BOLT FLANGE, 1/2 X 2 G5	4
33	YBFB16175	BOLT FLANGE, 1/2 X 1-3/4 G5	10
34	YWLO16005	WASHER LOCK, 1/2	4
35	YNFG16003	NUT FLANGE, 1/2 GF	22





FIGURE 8 HYDRAULICS

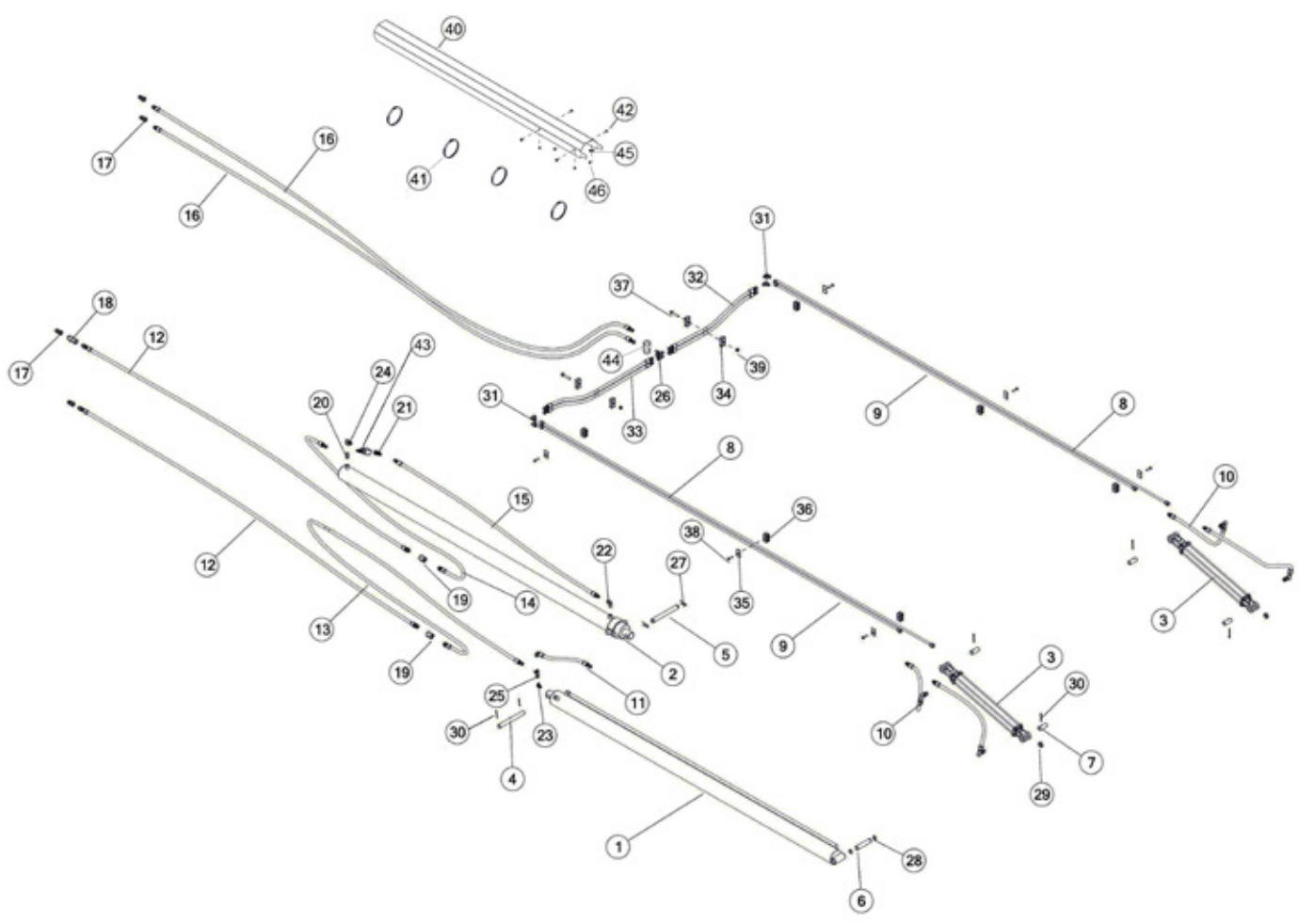




FIGURE 8

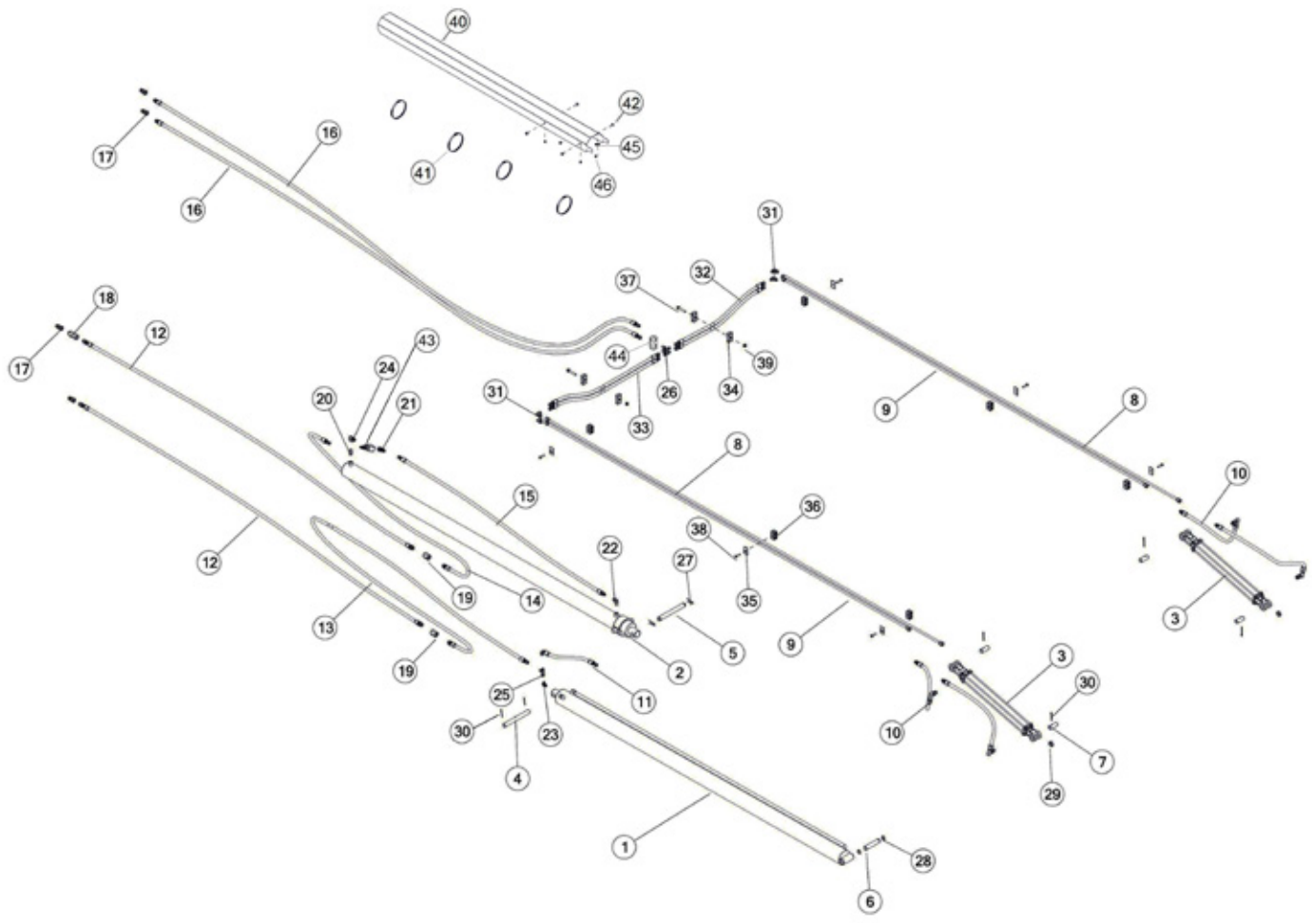
HYDRAULICS

REF #	PART #	DESCRIPTION	QTY
1	42N70	HYDRAULIC CYLINDER, TRUNNION 3-1/2 X 90	1
2	42N69	HYDRAULIC CYLINDER, GIMBAL 3-1/2 X 90	1
3	90970	HYDRAULIC CYLINDER, 2 X 20	2
4	42N71	CYLINDER PIN	1
5	42N72	PUSHER CYLINDER PIN	1
6	42N80	REAR CYLINDER PIN	1
7	56N141	SHAFT, RND, 1.00 X 2.50, PIN, CYLINDER	4
8	90968	HYDRAULIC TUBE, 1/2 X 144	2
9	90969	HYDRAULIC TUBE, 1/2 X 132	2
10	90972	HYDRAULIC HOSE, 6, 36	4
11	89579	HYDRAULIC HOSE, 6, 20	1
12	89588	HYDRAULIC HOSE, 6, 126	2
13	89594	HYDRAULIC HOSE, 6, 164	1
14	89586	HYDRAULIC HOSE, 6, 88	1
15	89581	HYDRAULIC HOSE, 6, 77	1
16	89629	HYDRAULIC HOSE, 6, 182	2
17	67148	FTG, ST, 8ORB, QUICK COUPLER TIP	4
18	89576	HYDRAULIC VALVE, CHECK	1
19	90154	FITTING STRAIGHT, 10ORB, 10ORB	2
20	16SV351	FITTING STRAIGHT, 6NPT X 6NPT	1
21	89574	FITTING T, 6 JIC, 6 JIC, 8 ORB	1
22	CHM164	FITTING, 90, 6JIC X 3/8NPT	1
23	58151	FITTING 45, 3/8JIC, 3/8-18NPTF	1
24	55923	8 ORB TO 3/8 NPTF, 90 DEG	1
25	CHM242	FITTING, TEE, 6JIC X 6JIC X 6JIC	1
26	8005	FITTING TEE, 8JIC X 8JIC X 8JIC, BULKHEAD	2
27	YPHR02020	HAIR PIN, #23-10	2
28	3G21	SNAP RING, 1 HEAVY DUTY	2
29	K132	SPACER, 3/8 LONG	2
30	YPCT05025	COTTER PIN, 5/32 X 2	4
31	58187	FITTING, 8-6 ETX-S	4
32	89635	HYDRAULIC HOSE, 6, 32	2
33	89632	HYDRAULIC HOSE, 6, 45	2
34	86567	DOUBLE CLAMP, UNIVERSAL	4
35	56563	CLAMP TOP PLATE	6
36	TS118	LINE CLAMP BLOCK (PART OF T2008S)	6
37	YBFB12250	BOLT FLANGE, 3/8 X 2-1/2 G5	2
38	56568	CLAMP BOLT, 5/16-18 x 1-3/8	6
39	YNFG12006	NUT FLANGE, 3/8 GF	2





FIGURE 8 HYDRAULICS





REF #	PART #	DESCRIPTION	QTY
40	88849B	CYLINDER SHIELD W/DECALS	1
41	12V70	HOSE CLAMP	4
42	YBFB12125	BOLT FLANGE, 3/8 X 1-1/4	4
43	89573	HYDRAULIC VALVE, SEQUENCE	1
44	92935	BULKHEAD SPACER	1
45	YWLO12005	WASHER LOCK, 3/8	4
46	YNHX12005	NUT HEX, 3/8 G2	4



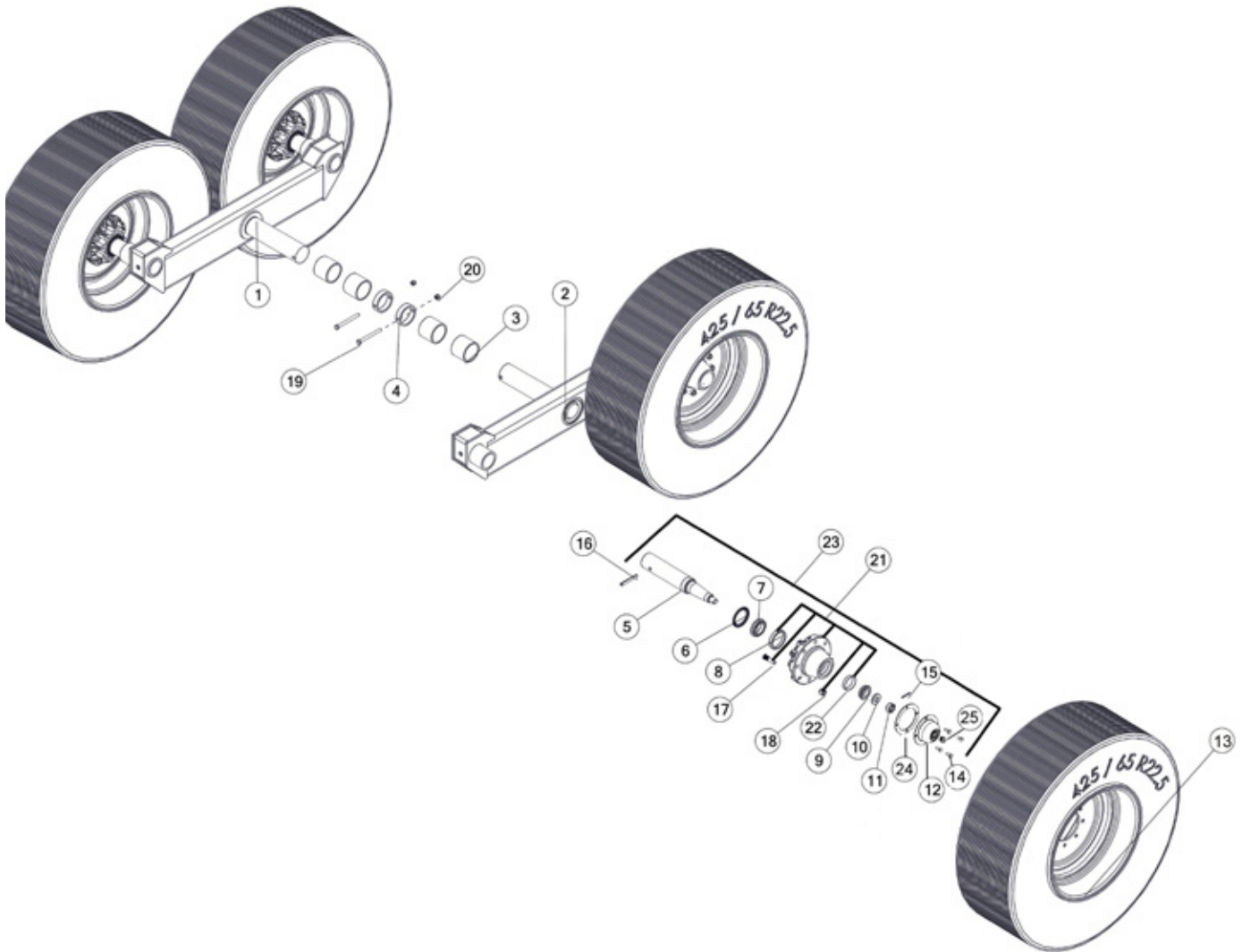




FIGURE 9

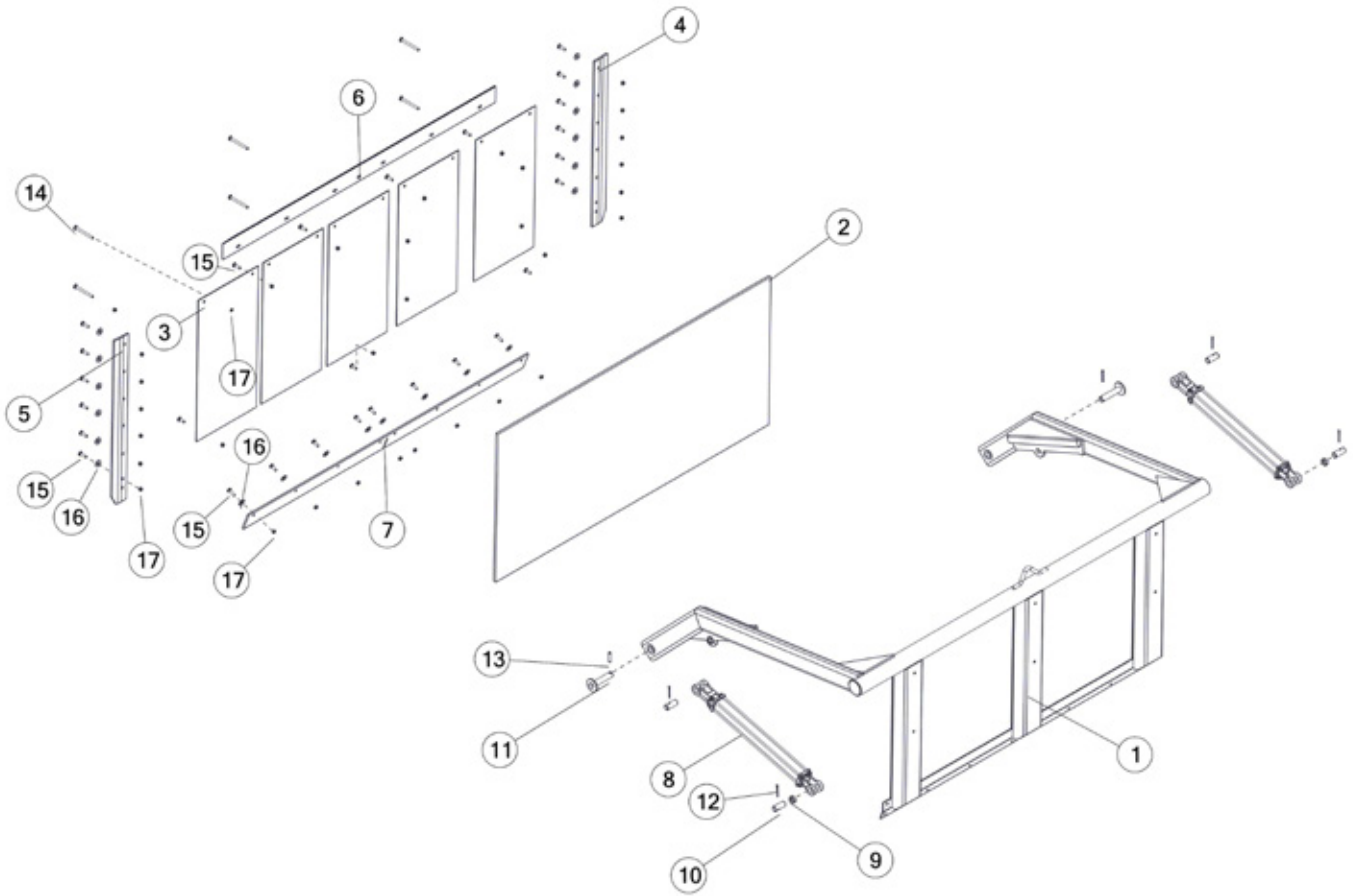
TANDEM AXLE AND WHEEL COMPONENTS

REF #	PART #	DESCRIPTION	QTY
1	42N7	TANDEM AXLE RH	1
2	42N6	TANDEM AXLE LH	1
3	45N36	POLY BUSHING	4
4	45N35	AXLE KEEPER	2
5	93106	SPINDLE	4
6	93107	GREASE SEAL	4
7	33SV43	TAPERED ROLLER BEARING, 2.25 BORE	4
8	33SV44	INNER RACE	4
9	17G150	TAPERED ROLLER BEARING, 1.625 BORE	4
10	33SV95	SPINDLE WASHER	4
11	YNSL32005	NUT SLOT, 1-14 NA G2 NF	4
12	93110	HUB CAP	4
13	TWP425S	(4) 425 X 22.5 USED TRUCK TIRES W/SLVR 8 B RIMS	1
*	90192	ASSEMBLY, TIRE AND WHEEL	4
*	90185	WHEEL, 22.5 X 13.5 8 BOLT SILVER	4
*	16SV88	TIRE, 425 X 22.5	4
*	72438	VALVE STEM, 1-1/2	4
13	TWP19LS	(4) 19L X 16.1 10 PLY TIRES W/SILVER 8 BOLT RIMS	1
*	90193	ASSEMBLY, TIRE AND WHEEL	4
*	90186	WHEEL, W16C-16.1 8 BOLT SILVER	4
*	UR8	19L X 16.1 TIRE	4
*	72437	VALVE STEM, 1.25IN HD	4
13	TWP5508S	(4) 550/45 X 22.5 TIRES W/SILVER 8 BOLT RIMS	1
*	90197	ASSEMBLY, TIRE AND WHEEL, RH	2
*	90187	WHEEL, 22.5 X 16.00 8 BOLT SILVER	2
*	33381	TIRE, 550/45 - 22.5 16PLY FLOATATION	2
*	72437	VALVE STEM, 1.25IN HD	2
*	90198	ASSEMBLY, TIRE AND WHEEL, LH	2
14	YBHH08063	BOLT HEX, 1/4 X 5/8 G5	4
15	YPCT07175	COTTER PIN, 7/32 X 1-3/4	4
16	YPEX16020	EXPANSION PIN, 1/2 X 4	4
17	YBSD20010	BOLT STUD, 5/8 X 2-1/2 G8	32
18	YNWL20005	NUT WHEEL, 5/8-18 NA G5 ZC	32
19	YBHH16160	BOLT HEX, 1/2-13 X 5-1/2 G5	2
20	YNNY16005	NUT HEX, 1/2-13 LKNY G2 ZC	2
21	93103	HUB	4
22	17G149	RACE	4
23	93112	HUB AND SPINDLE ASSEMBLY	4
24	93109	GASKET	1
25	93111	OIL PLUG	1





FIGURE 10 ENDGATE & COMPONENTS



H&S  **FIGURE 10**
ENDGATE & COMPONENTS

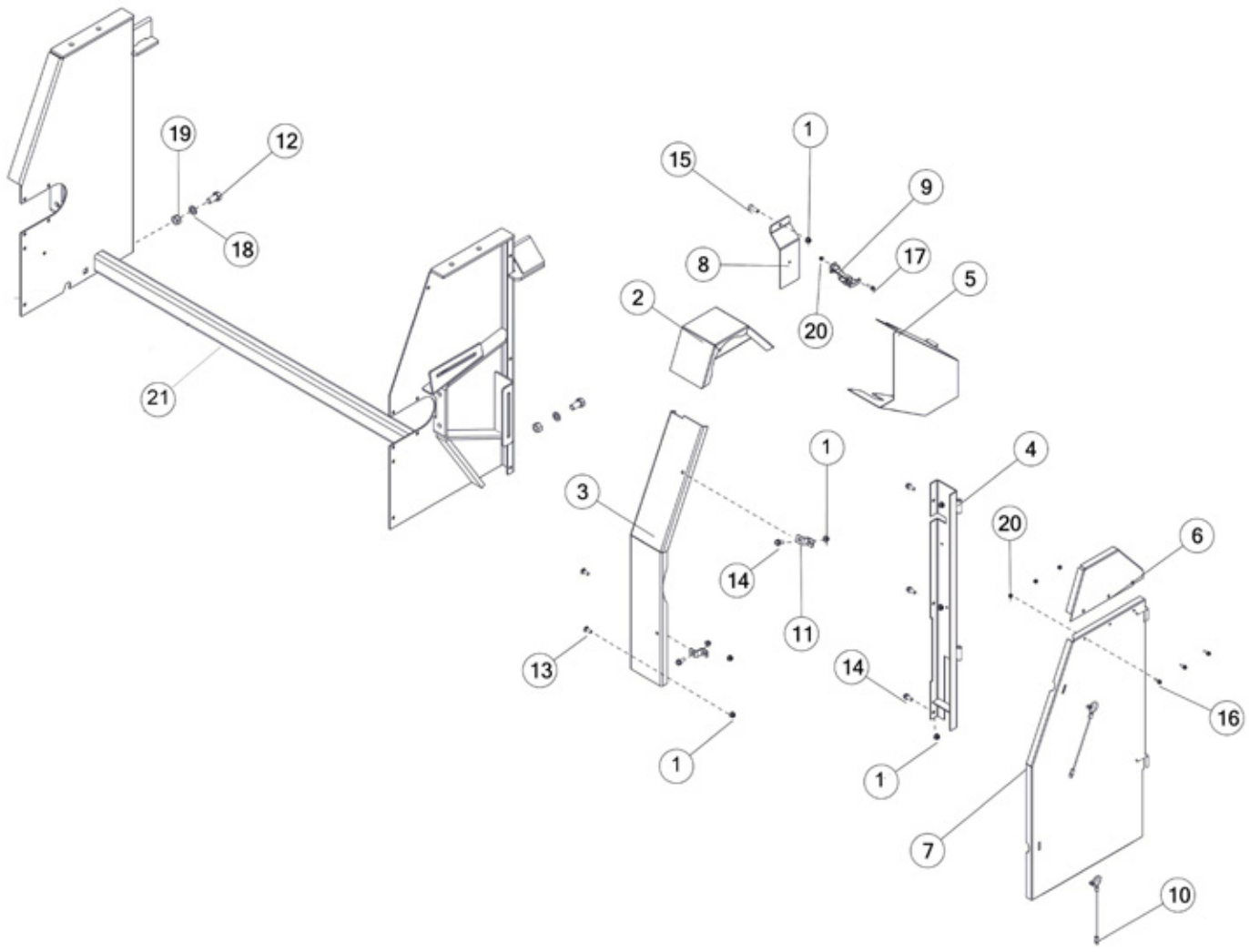
REF #	PART #	DESCRIPTION	QTY
1	42N28B	END GATE W/DECALS	1
2	42N34	ENDGATE POLY	1
3	42N165	ENDGATE CURTAIN	5
4	42N31	ENDGATE RUBBER RIGHT	1
5	42N32	ENDGATE RUBBER LEFT	1
6	89816	POLY HOLD DOWN	1
7	42N33	ENDGATE RUBBER	1
8	90970	HYDRAULIC CYLINDER, 2 X 20	2
*	56187	SEAL KIT	2
9	K132	SPACER, 3/8 LONG	2
10	56N141	SHAFT, RND, 1 X 2-1/2, PIN, CYLINDER	1
11	42N29	HINGE PIN	2
12	YPCT05025	COTTER PIN, 5/32 X 2	4
13	YPEX12020	EXPANSION PIN, 3/8 X 2	2
14	YBCR12105	BOLT CARRIAGE, FT, 3/8-16 X 4-1/2 G5 ZC	6
15	YBCR12015	BOLT CARRIAGE, 3/8-16 X 1-1/2 G5 ZC	27
16	YWFL16005	WASHER FLAT, 1/2 USS	24
17	YNHX12005	NUT HEX, 3/8-16 NAA ZC	33





FIGURE 11

BEATER PANELS & COMPONENTS



REF #	PART #	DESCRIPTION	QTY
1	YNFG12006	NUT FLANGE, 3/8 GF	8
2	42N53	SECOND BEATER ANTI-WRAP	1
3	42N52	MAIN PANEL RIGHT END	1
4	42N55	SHIELD FILLER	1
5	42N56B	CROSS SHAFT SHIELD W/DECALS	1
6	42N104	SECOND BEATER SHIELD	1
7	42N54B	REAR SHIELD W/DECALS	1
8	42N105	BACK STAKE FILLER	1
9	X233	079-0101 LATCH ASSEMBLY	1
10	S122	LANYARD, CLIP PIN CABLE	2
11	84636	SHIELD LATCH	2
12	YBHH24010	BOLT HEX, 3/4 X 1-1/2 G5	2
13	YBCR12010	BOLT CARRIAGE, 3/8-16 X 1 G5 ZC	2
14	YBFB12003	BOLT FLANGE, 3/8 X 1 G5	5
15	YSFS12016	BOLT FLAT SOK, 3/8-16 X 1-1/2 ZC	1
16	YBFB08075	BOLT FLANGE, 1/4 X 3/4 G5	3
17	YBFB08100	BOLT FLANGE, 1/4 X 1 G5	1
18	YWLO24005	WASHER LOCK, 3/4	2
19	YNHX24005	NUT HEX, 3/4-10 NAA ZC	2
20	YNFG08010	NUT FLANGE, 1/4 GF	4
21	42N35	BEATER PANEL	1





FIGURE 12

BEATERS & COMPONENTS

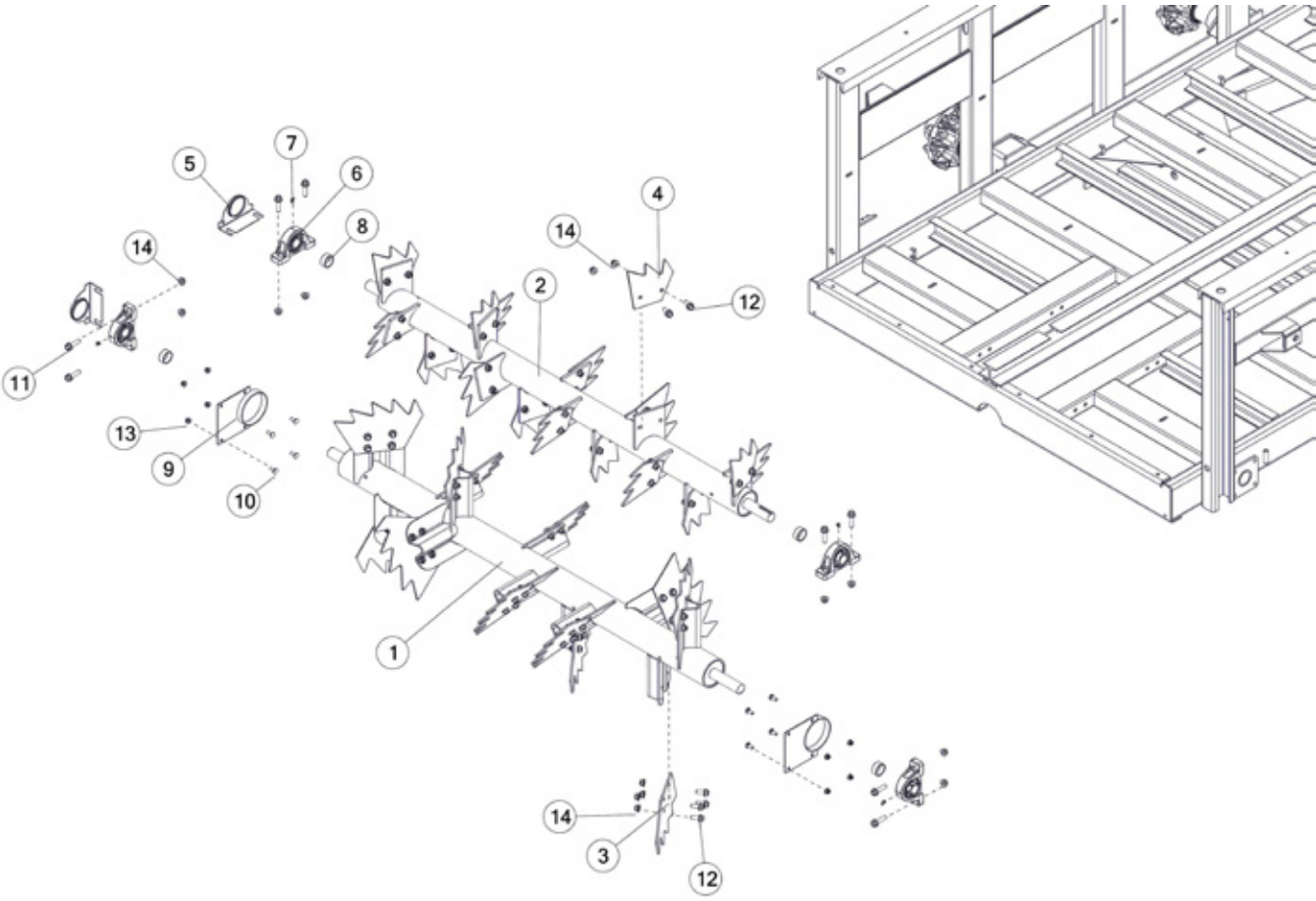




FIGURE 12 BEATERS & COMPONENTS

REF #	PART #	DESCRIPTION	QTY
1	42N38	BEATER	1
2	42N42	SECOND BEATER	1
3	23N277	BEATER BLADE-HARDENED	12
4	45N27	BEATER BLADE	16
5	42N142	STUB SHAFT SHIELD	2
6	16SV72	PILLOW BLOCK BEARING W/ ZERK AT TOP	4
7	RG51	ZERK, 90 DEGREE 1/4-28	4
8	42N103	BEATER SPACER	2
9	42N40	BEATER SLOT FILLER	2
10	YBCR12010	BOLT CARRIAGE, 3/8-16 X 1 G5 ZC	8
11	YBFB16200	BOLT FLANGE, 1/2 X 2 G5	8
12	YBFB16125	BOLT FLANGE, 1/2 X 1-1/4 G5	80
13	YNFG12006	NUT FLANGE, 3/8 GF	8
14	YNFG16003	NUT FLANGE, 1/2 GF	88





FIGURE 13 BEATER SPROCKETS & COMPONENTS

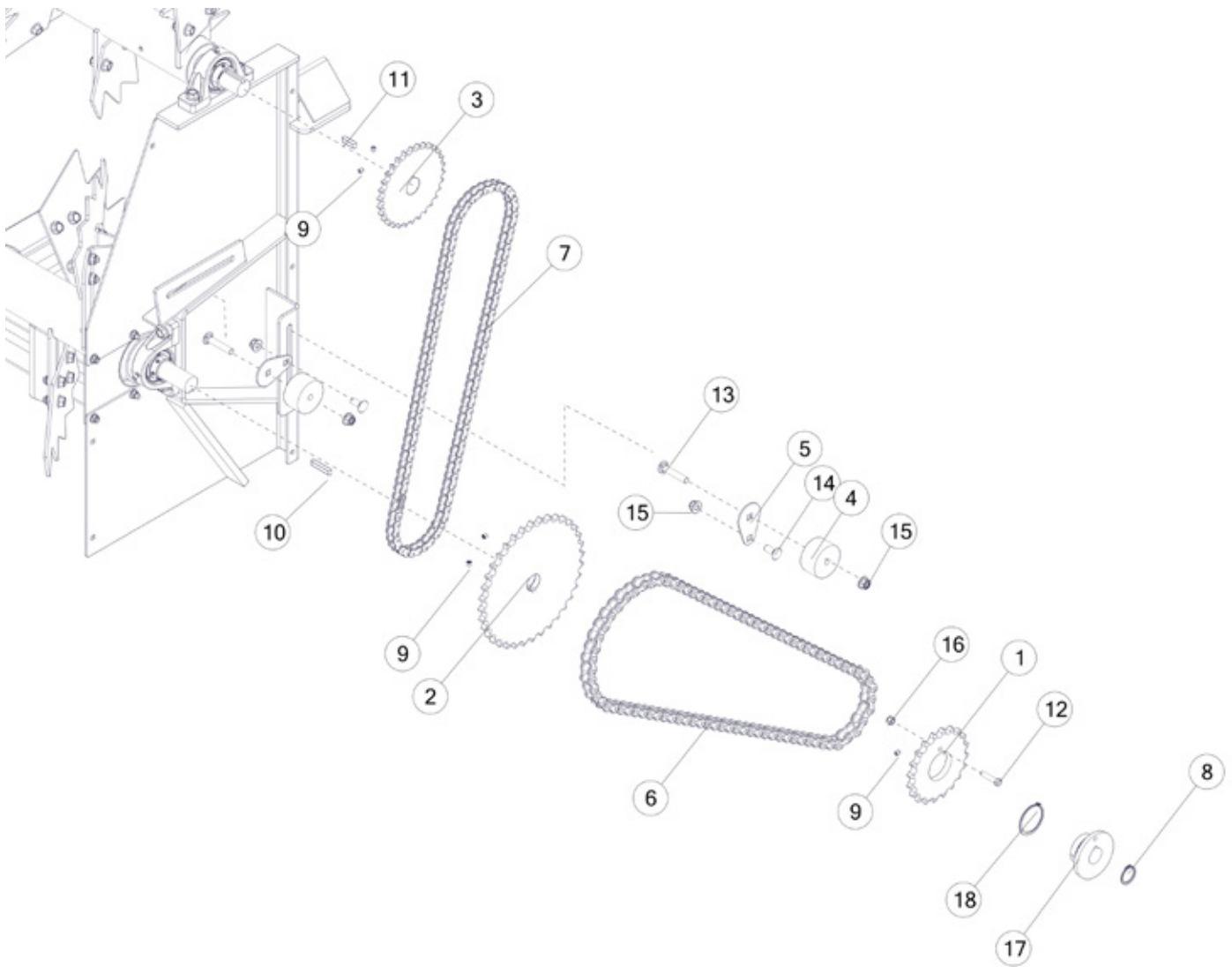




FIGURE 13

BEATER SPROCKETS & COMPONENTS

REF #	PART #	DESCRIPTION	QTY
1	89937	SHEAR SPROCKET	1
2	42N47	WLDMT, HORIZONTAL BEATER SPKT	1
3	42N44	DRIVE SPROCKET, 30	1
4	42N50	POLY CHAIN TIGHTENER	2
5	42N51	TIGHTENER STOP	2
6	74563	ROLLER CHAIN, 80 X 88	1
7	42N45	ROLLER CHAIN, #60, 98P	1
8	12V62	HEAVY DUTY EXTERNAL SNAP RING, 1-1/2	1
9	YSKP12025	SET SCR, SOCKET, KNURLED CUP PT, 3/8-16 X 3/8	5
10	42N141	SQUARE KEY, 3/8 X 2-1/4	1
11	S436	SQUARE KEY, 3/8 X 1-1/2	1
12	YBHH12055	BOLT HEX, 3/8-16 X 1-3/4 G2 ZC	1
13	YBCR16035	BOLT CARRIAGE, 1/2-13 X 2-3/4 G5 ZC	2
14	YBCR16015	BOLT CARRIAGE, 1/2-13 X 1-1/4 G5 ZC	2
15	YNFG16003	NUT FLANGE, 1/2 GF	4
16	YNNY12005	NUT HEX, 3/8-16 LKNY G2 ZC	1
17	89758	SHEAR HUB	1
18	23N189	SNAP RING, 2.44 EXTERNAL	1





FIGURE 14

LIGHTS

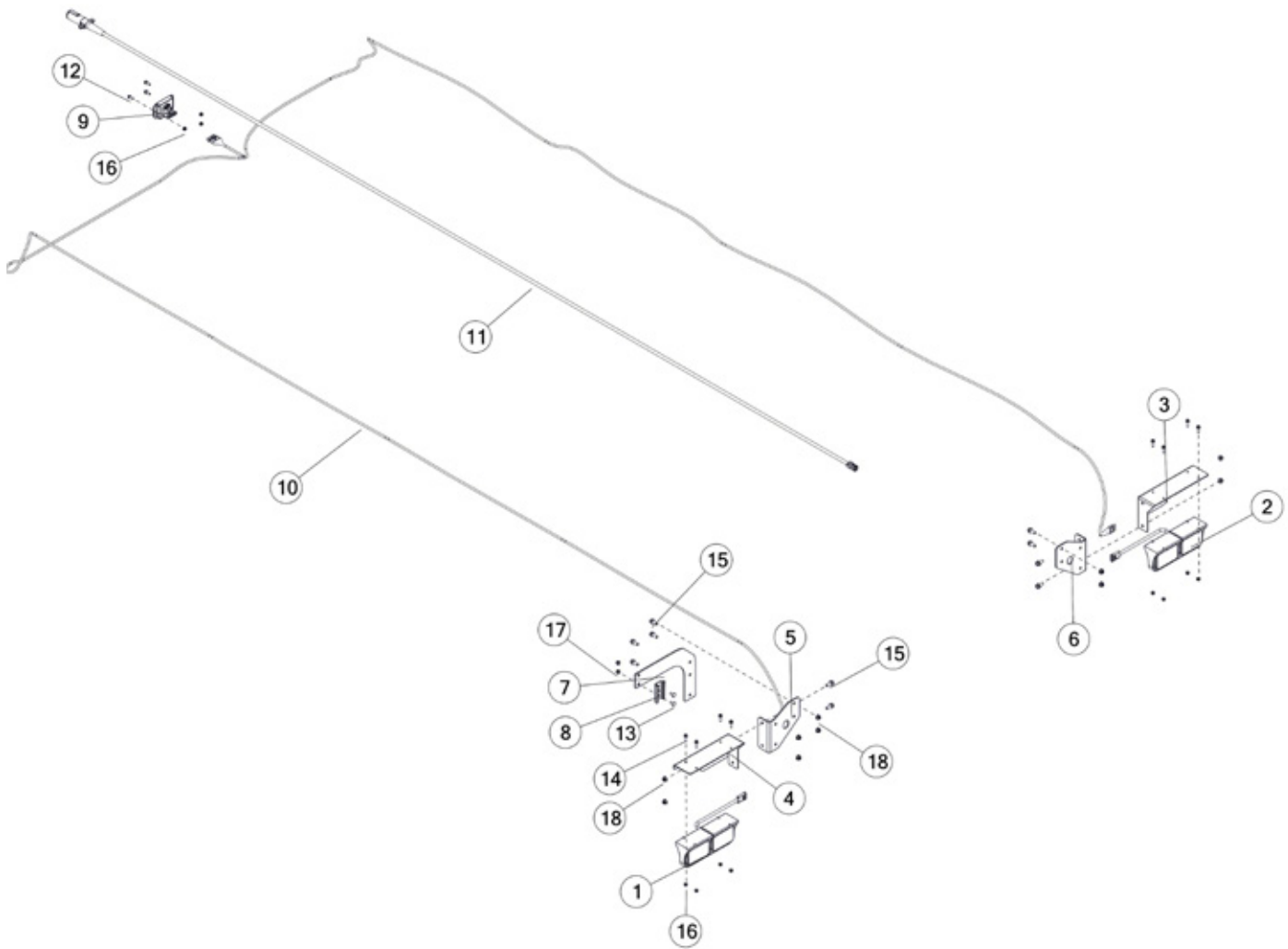




FIGURE 14 LIGHTS

REF #	PART #	DESCRIPTION	QTY
1	TFM71	TAIL LIGHT, LH	
2	TFM72	LED TAIL LIGHT ASSY, RH	
3	90915B	LIGHT BRACKET, RH W/DECALS	
4	90914B	LIGHT BRACKET, LH W/DECALS	
5	90917	LIGHT BRACKET MOUNT, LH	
6	90918	LIGHT BRACKET MOUNT, RH	
7	42N43	SMV BRACKET	
8	F97	SMV HOLDER	
9	69908	MODULE, CONTROL, BLINKER	
10	90927	ELECTRICAL HARNESS, TAILLIGHTS	
11	94018	WIRE HARNESS	
12	YBFB08075	BOLT FLANGE, 1/4 X 3/4 G5	
13	YBCR10030	BOLT CARRIAGE, 5/16-18 X 3/4 G5 ZC	
14	YBFB08100	BOLT FLANGE, 1/4 X 1 G5	
15	YBFB12003	BOLT FLANGE, 3/8 X 1 G5	
16	YNFG08010	NUT FLANGE, 1/4 GF	
17	YNFG10005	NUT FLANGE, 5/16 GF	
18	YNFG12006	NUT FLANGE, 3/8 GF	





FIGURE 15

GEARBOX

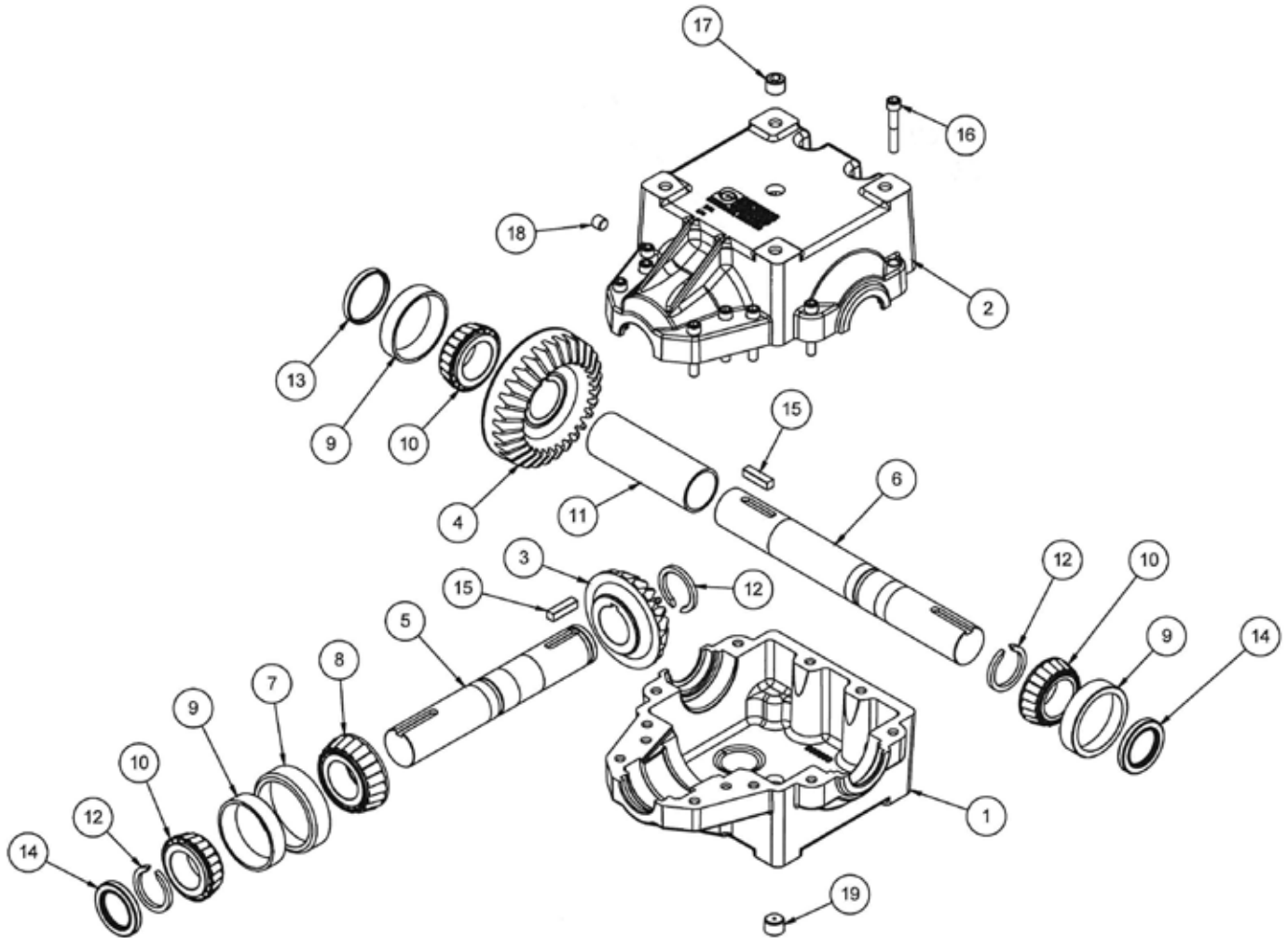




FIGURE 15

GEARBOX

REF #	PART #	DESCRIPTION	QTY
1	HGV88	BOTTOM HOUSING	1
2	88365	HOUSING	1
3	88366	GEAR	1
4	88367	GEAR	1
5	90894	STUB SHAFT	1
6	88369	SHAFT	1
7	HGV112	BEARING CUP	1
8	HGV97	BEARING CONE	1
9	HGV92	BEARING CUP	3
10	HGV91	BEARING CONE	3
11	88370	SPACER	1
12	HGV98	RETAINING RING	3
13	HGV99	CAP	1
14	HGV93	OUTPUT SEAL	2
15	A32	SQUARE KEY W/ROUND ENDS, 3/8 X 1-3/8	2
16	YSHS12012	SCREW SOCKET HEAD CAP, 3/8 X 2-1/4 G8	12
17	HGV95	PLUG, 1/2 NPT	1
18	88371	LEVEL PLUG	1
19	88372	VENT PLUG	1





FIGURE 16
OPTIONAL FLOW CONTROL (HPOVSC)

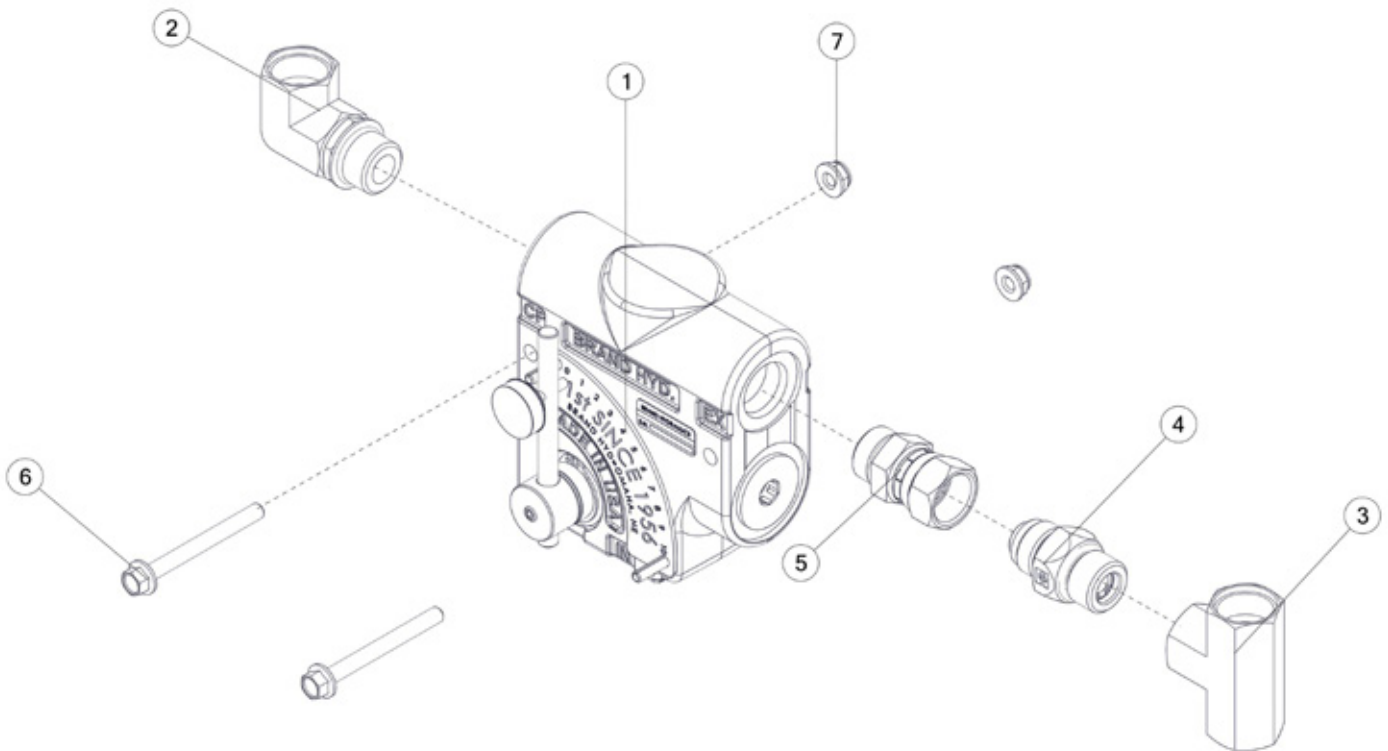




FIGURE 16

OPTIONAL FLOW CONTROL (HPOVSC)

REF #	PART #	DESCRIPTION	QTY
1	89583	FLOW CONTROL	1
2	90157	FITTING 90, 10ORB, 10ORB	1
3	91707	FITTING T, 10ORB, 10ORB, 10ORB	1
4	91722	FITTING STRAIGHT, 10JIC, 10ORB, CHECK	1
5	84907	FITTING STRAIGHT, 5/8JIC, 10ORB	2
6	YBFB08250	BOLT FLANGE, 1/4 X 2-12	2
7	YNFG08010	NUT FLANGE, 1/4	2





FIGURE 17

OPTIONAL PAN & COMPONENTS (MSHPOPAN)

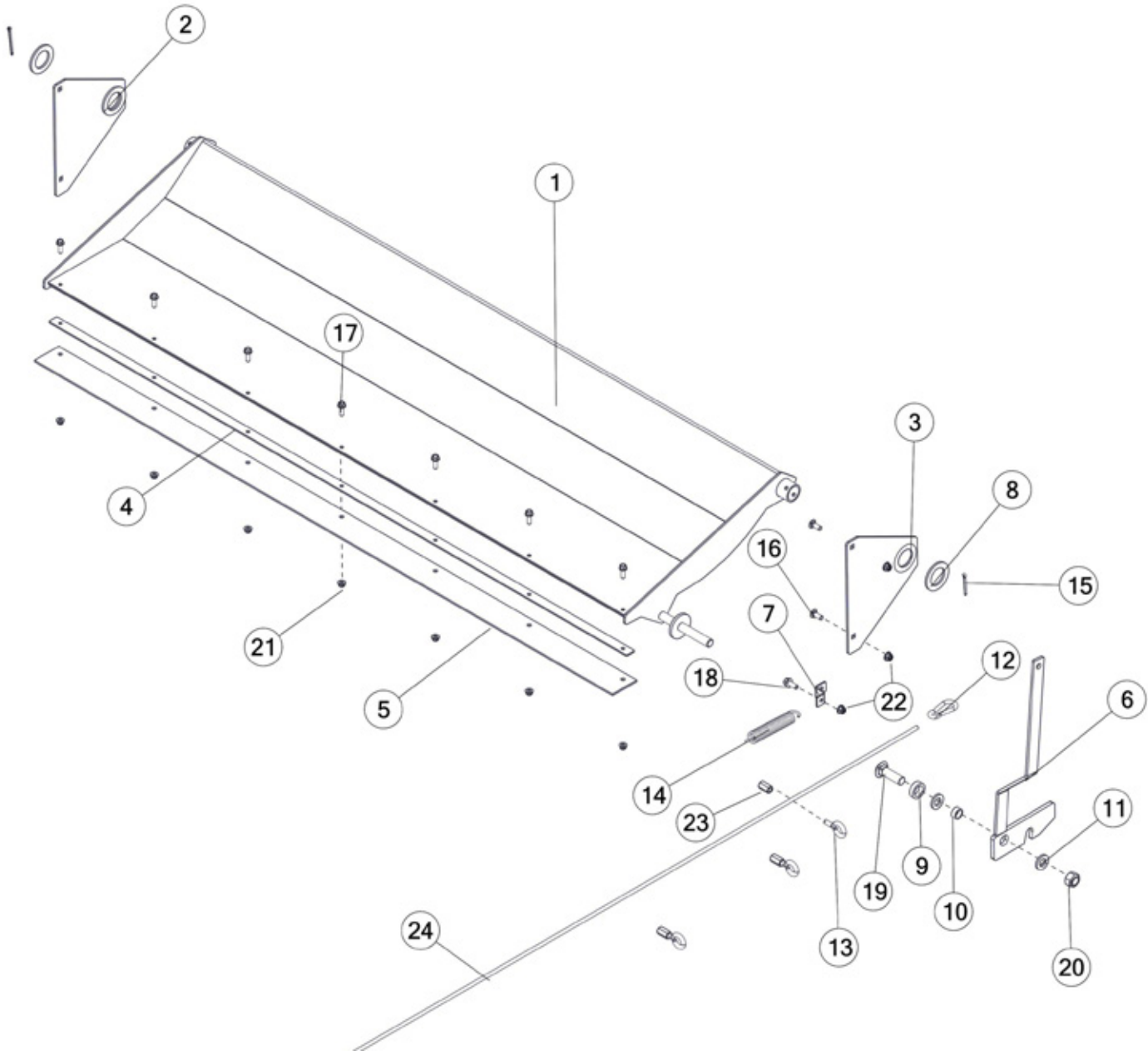




FIGURE 17

OPTIONAL PAN & COMPONENTS (MSHPOPAN)

REF #	PART #	DESCRIPTION	QTY
1	42N127	PAN	1
2	42N129	PAN BRACKET, RH	1
3	42N128	PAN BRACKET, LH	1
4	42N130	RUBBER STRAP	1
5	42N131	RUBBER	1
6	42N133	LATCH	1
7	F69	SHIELD BRACKET	1
8	56N170	PAN WASHER	2
9	42N134	LATCH SPACER	1
10	42N132	LATCH BUSHING	1
11	T73	WASHER FLAT, 3/4	2
12	YMSN10005	SNAP HOOK, 5/16	1
13	YBTE12005	BOLT TURNED EYE, 3/8-16X1 144ZC	3
14	ST36	TENSION SPRING	1
15	YPCT06020	COTTER PIN, 3/16 X 2	2
16	YBCR12010	BOLT CARRIAGE, 3/8-16 X 1 G5 ZC	2
17	YBFB10001	BOLT FLANGE, 5/16 X 1 G5	7
18	YBFB12003	BOLT FLANGE, 3/8 X 1 G5	1
19	YBCR24003	BOLT CARRIAGE, 3/4-10 X 2-1/2 G5 ZC	1
20	YNTL24005	NUT HEX, 3/4-10 LKTL C ZC	1
21	YNFG10005	NUT FLANGE, 5/16 GF	7
22	YNFG12006	NUT FLANGE, 3/8 GF	2
23	YNCO12005	NUT HEX, COUPLING, 3/8-16 X 1-1/8 NAA ZC	3
24	42N136	ROPE, 5/16 X 216	1





FIGURE 18

OPTIONAL VARIABLE SPEED CONTROL (HPOVSEC)

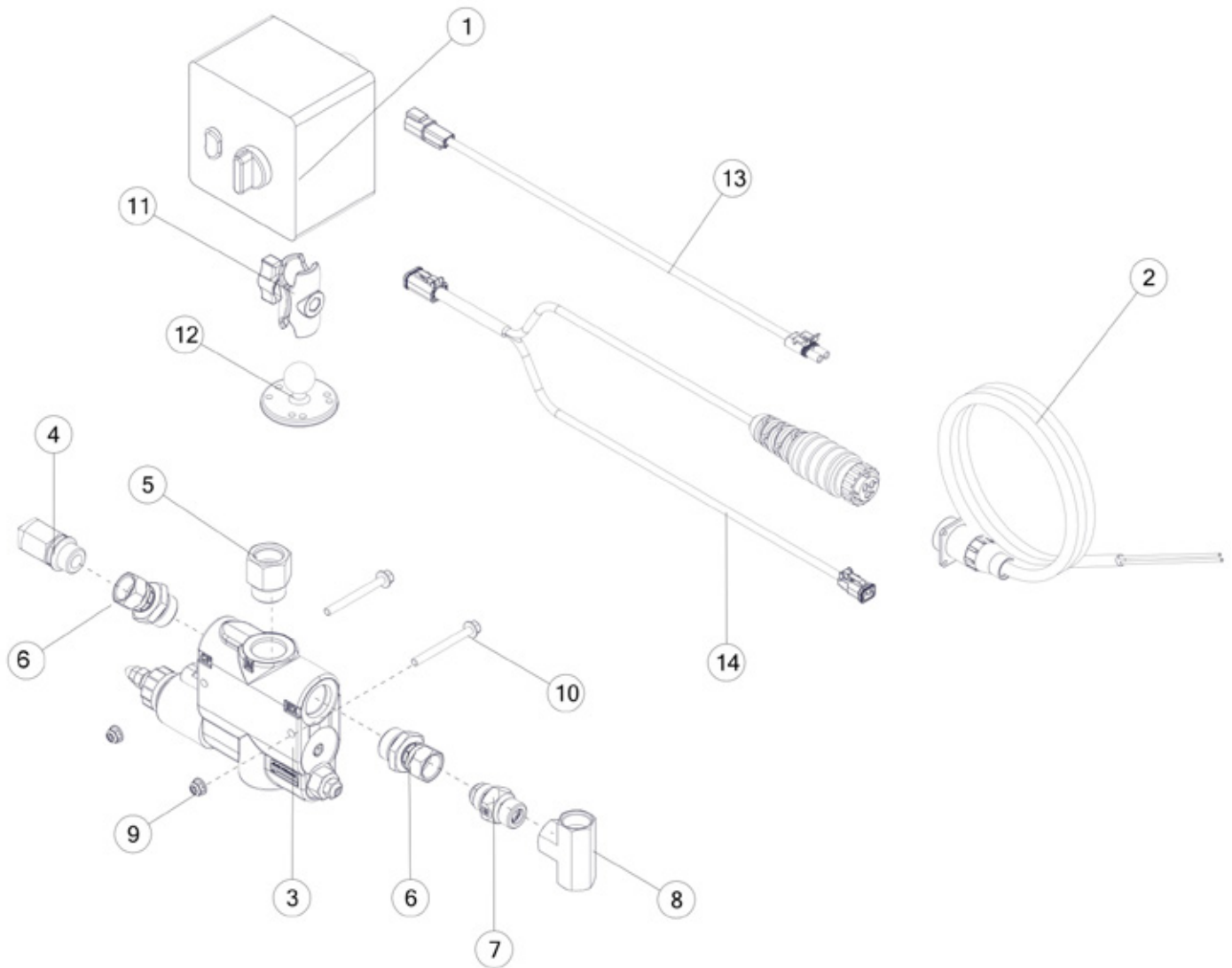
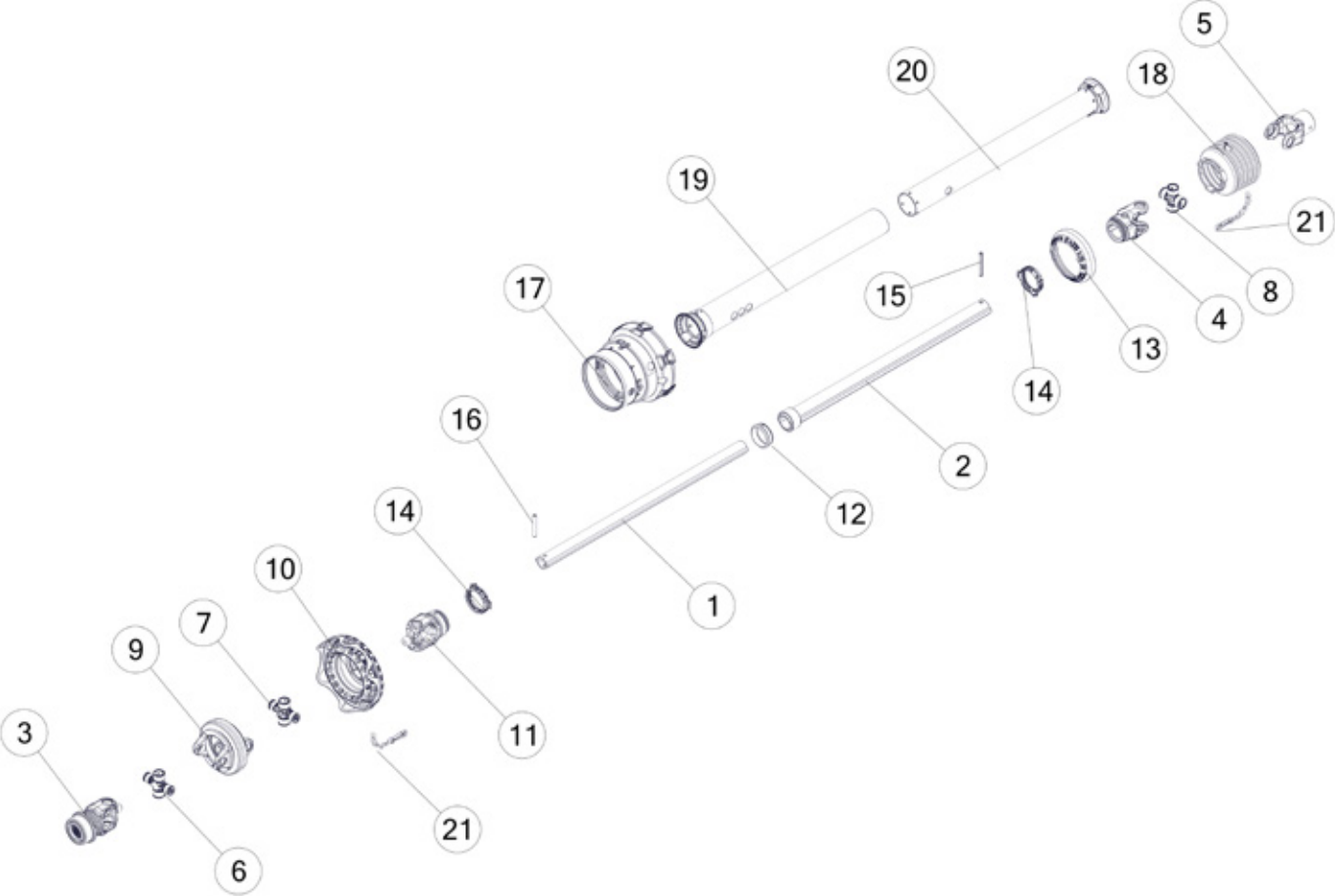




FIGURE 19
HPO1034CV PTO



REF #	PART #	DESCRIPTION	QTY
1	89772	INNER SHAFT	1
2	89790	OUTER SHAFT	1
3	89799	YOKE	1
4	89787	YOKE	1
5	89789	YOKE	1
6	89768	CROSS AND BEARING KIT	1
7	89770	CROSS AND BEARING KIT	1
8	89786	CROSS AND BEARING KIT	1
9	89769	DOUBLE YOKE	1
10	89776	NET GUARD	1
11	89771	INBOARD YOKE	1
12	89793	SUPPORT BEARING	1
13	89792	REINFORCING COLLAR	1
14	87919	BEARING RING	2
15	87920	SPRING PIN	1
16	89773	SPRING PIN	1
17	89784	CV GUARD	1
18	87926	GUARD CONE	1
19	89774	OUTER GUARD TUBE	1
20	89791	GUARD TUBE INNER	1
21	87916	RESTRAINT CHAIN	2
*	89800	COMPLETE PTO	1





FIGURE 20
HPO1038CV PTO

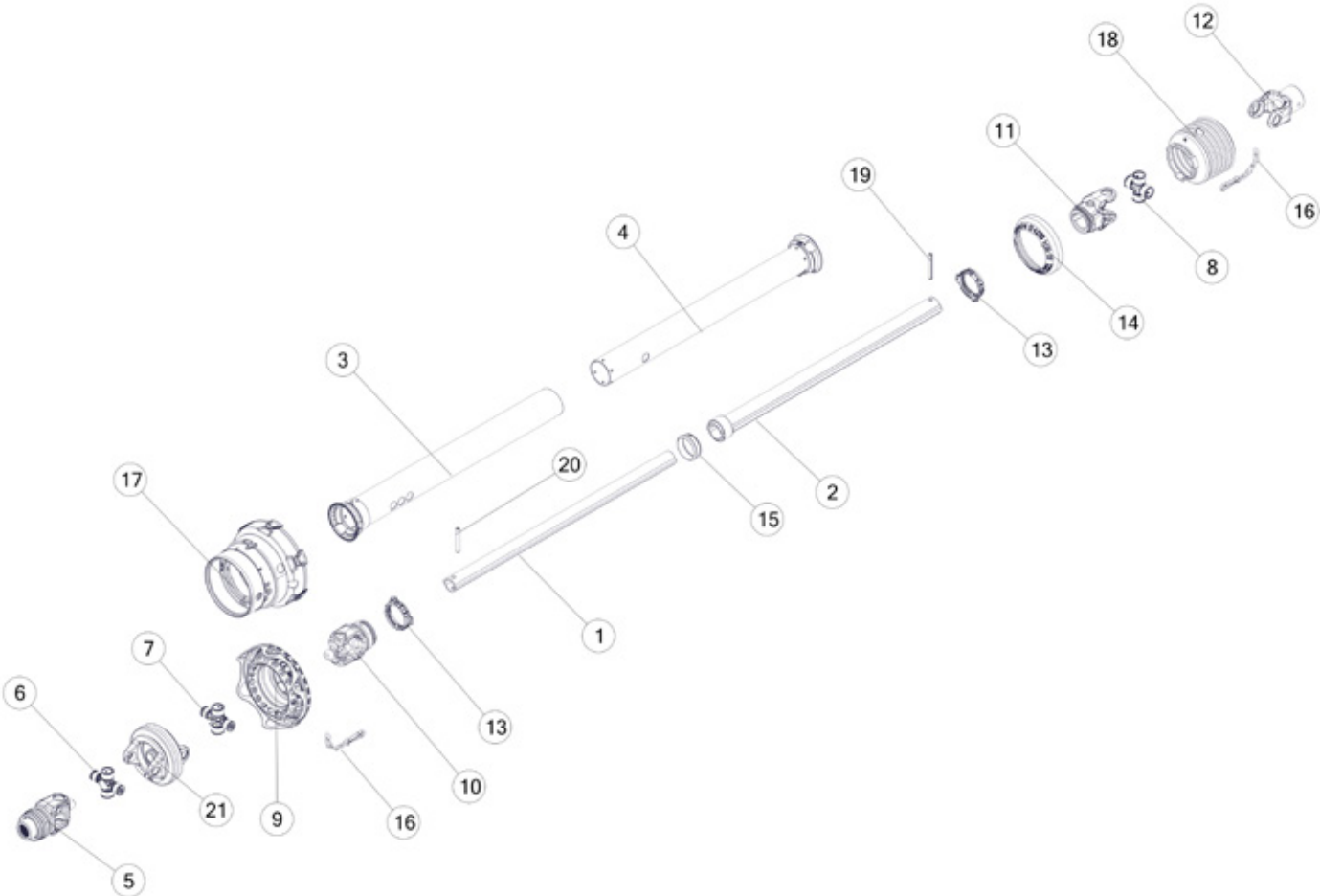




FIGURE 20
HPO1038CV PTO

REF #	PART #	DESCRIPTION	QTY
1	89772	INNER SHAFT	1
2	89790	OUTER SHAFT	1
3	89774	OUTER GUARD TUBE	1
4	89791	GUARD TUBE INNER	1
5	89767	YOKE ASSEMBLY	1
6	89768	CROSS AND BEARING KIT	1
7	89770	CROSS AND BEARING KIT	1
8	89786	CROSS AND BEARING KIT	1
9	89776	NET GUARD	1
10	89771	INBOARD YOKE	1
11	89787	YOKE	1
12	89789	YOKE	1
13	87919	BEARING RING	2
14	89792	REINFORCING COLLAR	1
15	89793	SUPPORT BEARING	1
16	87916	RESTRAINT CHAIN	2
17	89784	CV GUARD	1
18	87926	GUARD CONE	1
19	87920	SPRING PIN	1
20	89773	SPRING PIN	1
21	89769	DOUBLE YOKE	1
*	89794	COMPLETE PTO	1





H&S MFG. CO.

products approved

for the

FEMA

SEAL OF QUALITY



Manufactured by:

H&S MANUFACTURING CO., INC.

2608 S. HUME AVE. MARSHFIELD, WI 54449

(715) 387-3414 | hsmfgco.com

