



HPH4242

MANURE SPREADER

PARTS BOOK

Part #89978

HSMFG051222

Rev. #02

Starting Ser. #222HP42003

STRONG HERITAGE - STRONG PEOPLE - STRONGER FUTURE



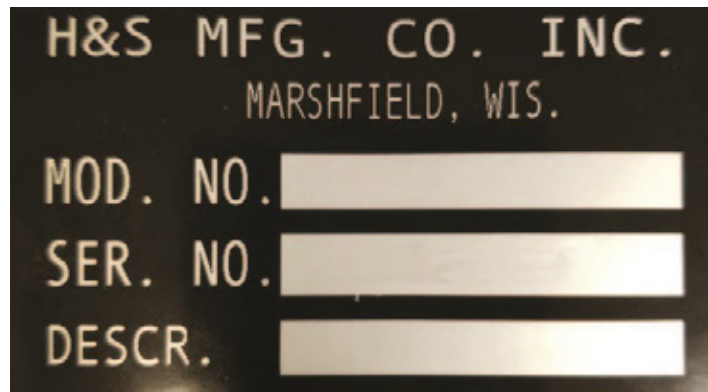
INSTRUCTIONS FOR ORDERING PARTS

All service parts should be ordered through your authorized H&S dealer. Your Dealership will be able to give you faster service if you will provide them with the following:

1. All references to left or right apply to the machine as viewed from the rear.
2. Parts should not be ordered from illustration only. Please order complete part number.
3. If your dealer has to order parts - give shipping instructions:

VIA truck - large pieces (please specify local truck lines)

VIA United Parcel Service (include full address)



MODEL & SERIAL NUMBER LOCATED ON
FRONT, LEFT SIDE OF PTO BEARING SUPPORT MOUNT

PLEASE RECORD NUMBERS FOR YOUR UNIT FOR QUICK REFERENCE

H&S IS CONTINUALLY STRIVING TO IMPROVE ITS PRODUCTS

We must, therefore, reserve the right to make improvements or changes whenever it becomes practical to do so, without incurring any obligation to make changes or additions to the equipment previously sold.





FIGURE 1
HITCH & COMPONENTS

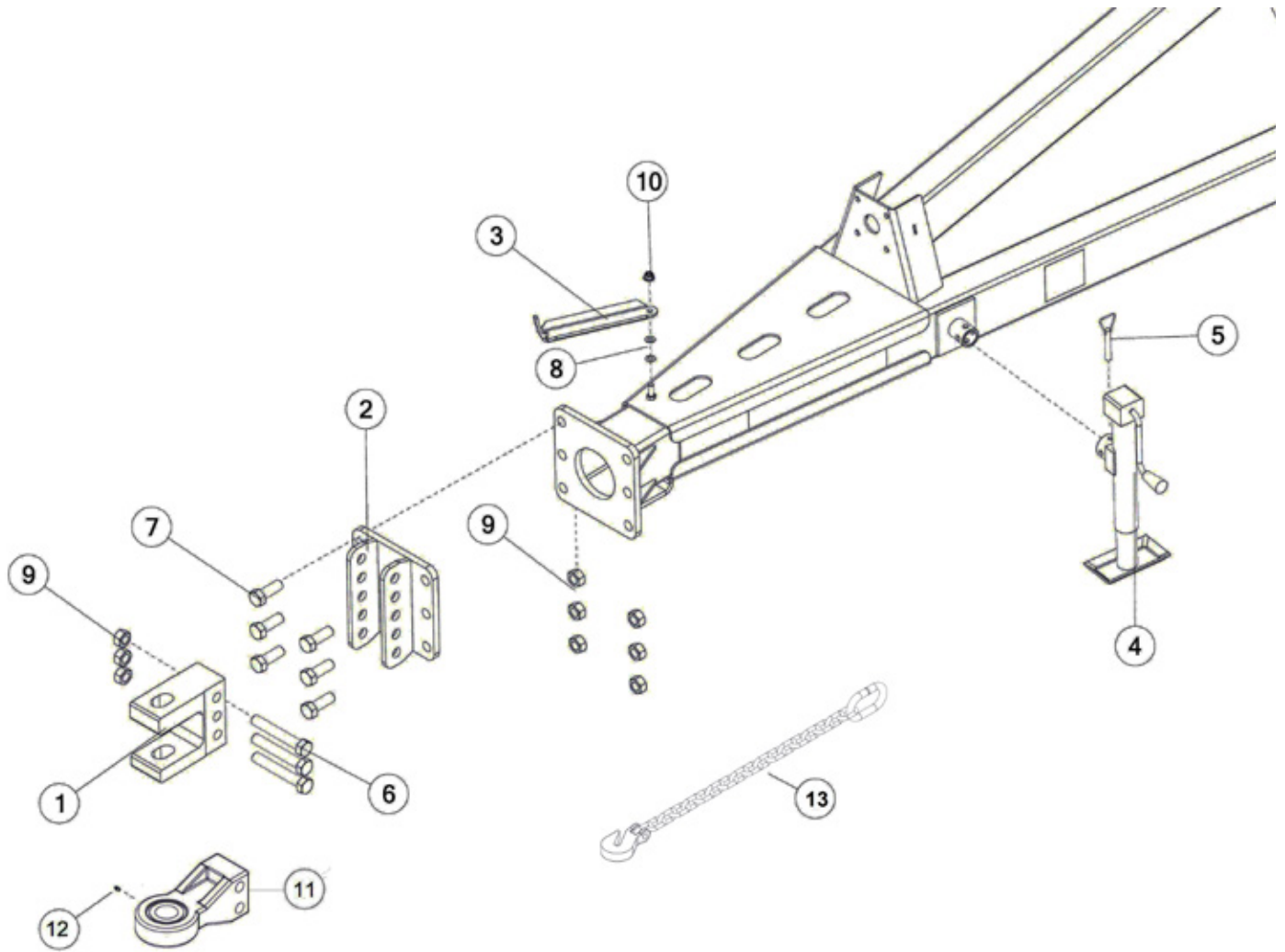




FIGURE 2 FLOOR & SIDE COMPONENTS

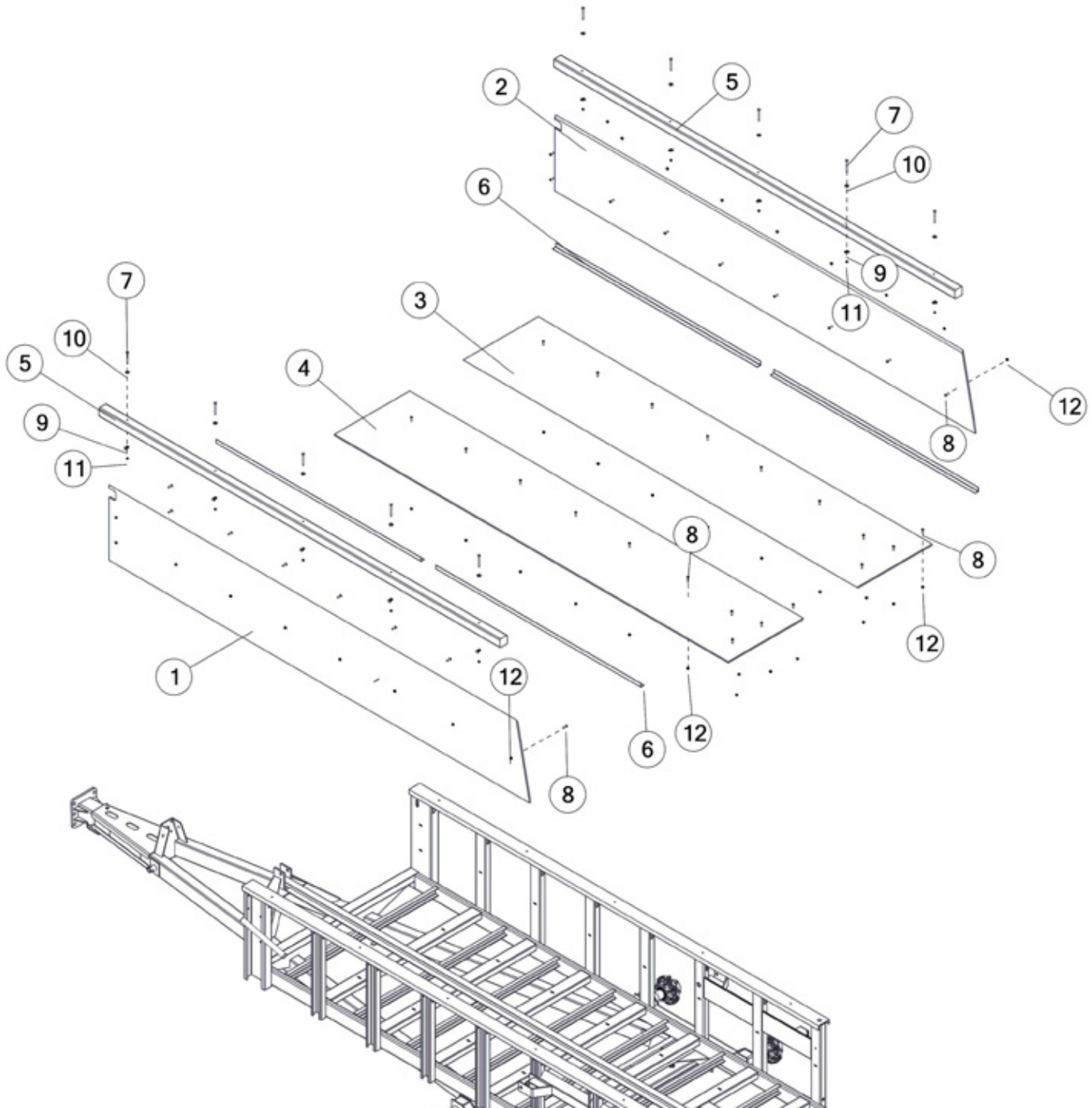




FIGURE 3 PTO SHIELD & COMPONENTS

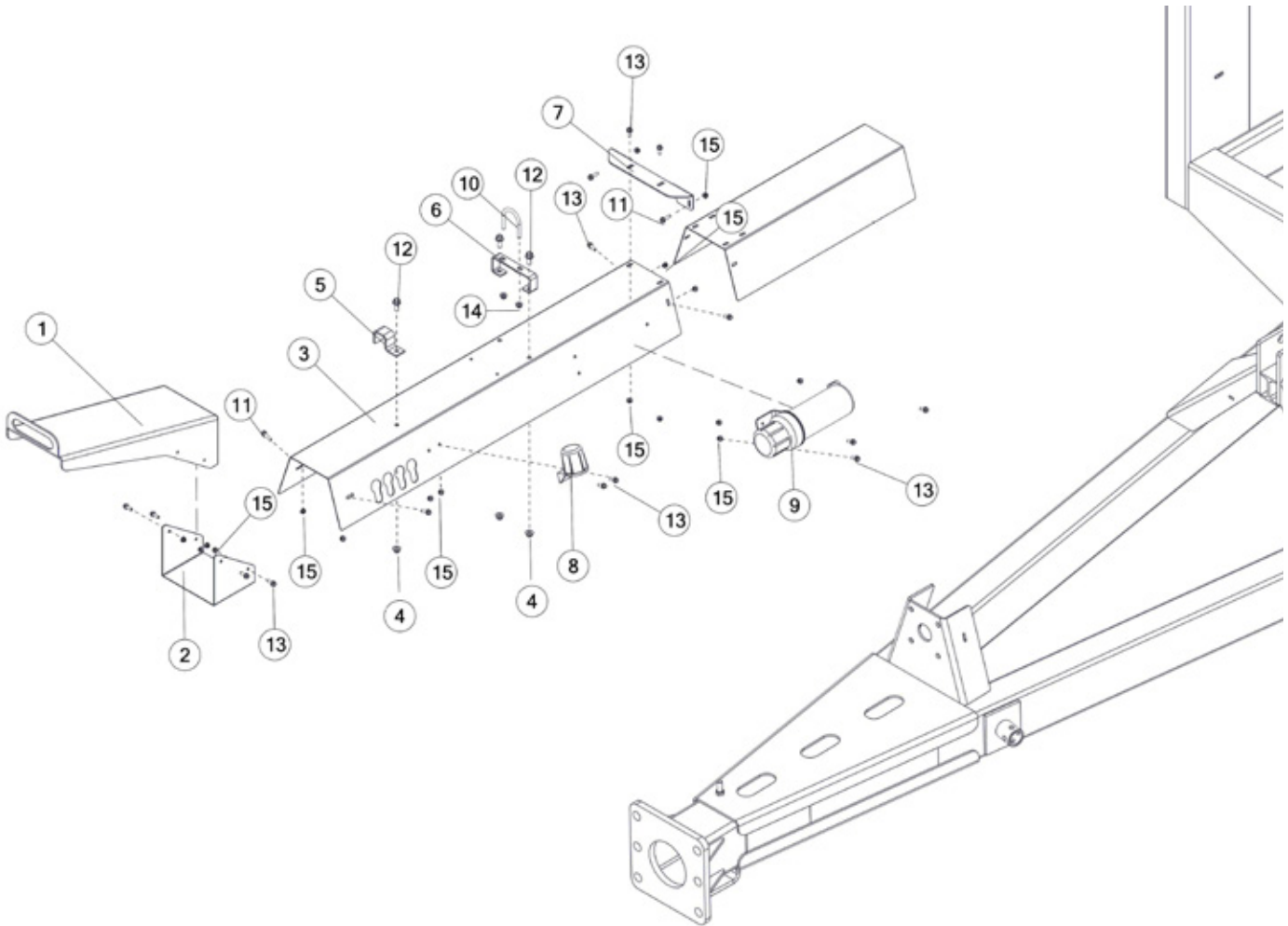




FIGURE 4 PUSHER COMPONENTS

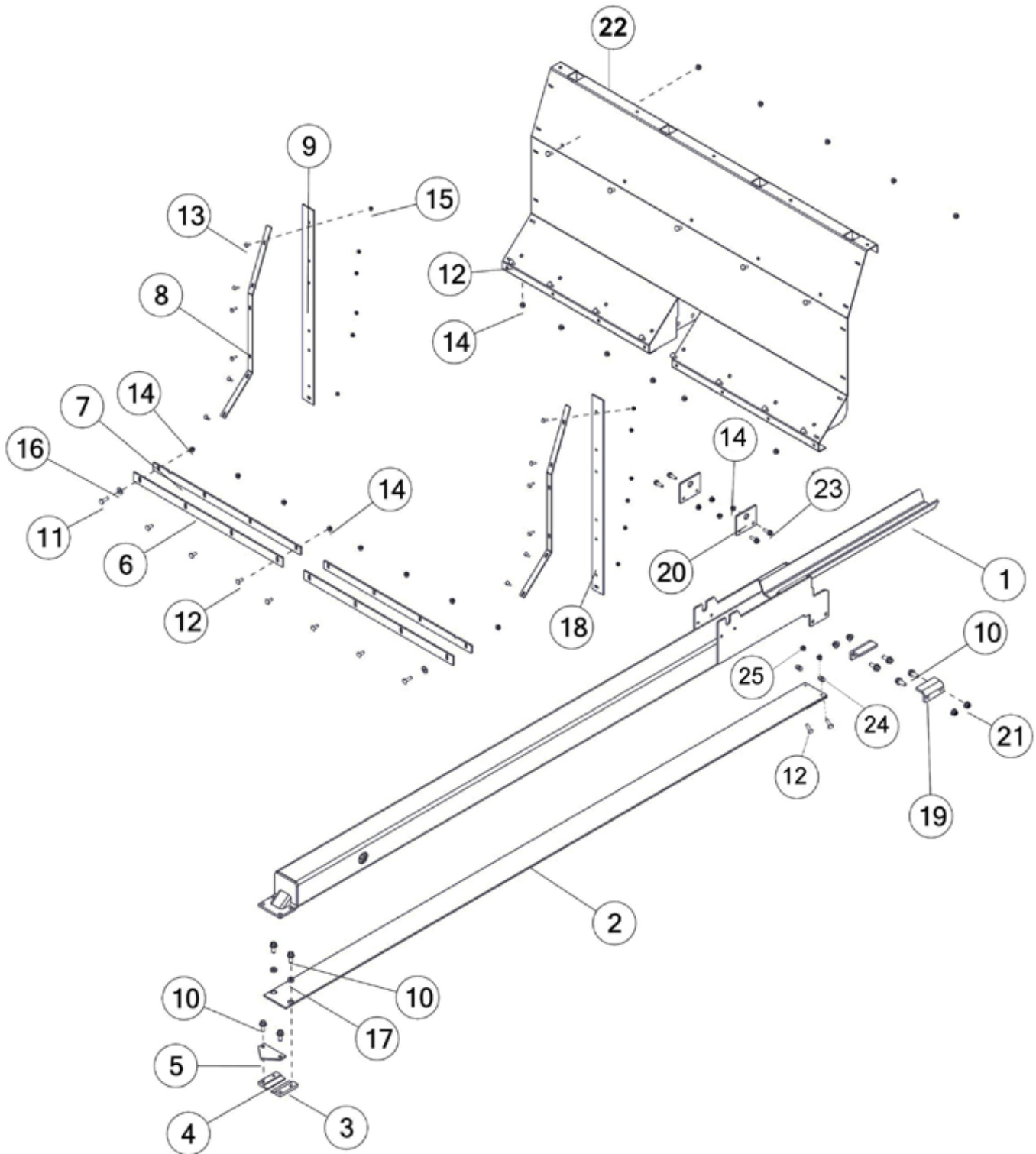




FIGURE 5 PUSHER EXTENSION & COMPONENTS

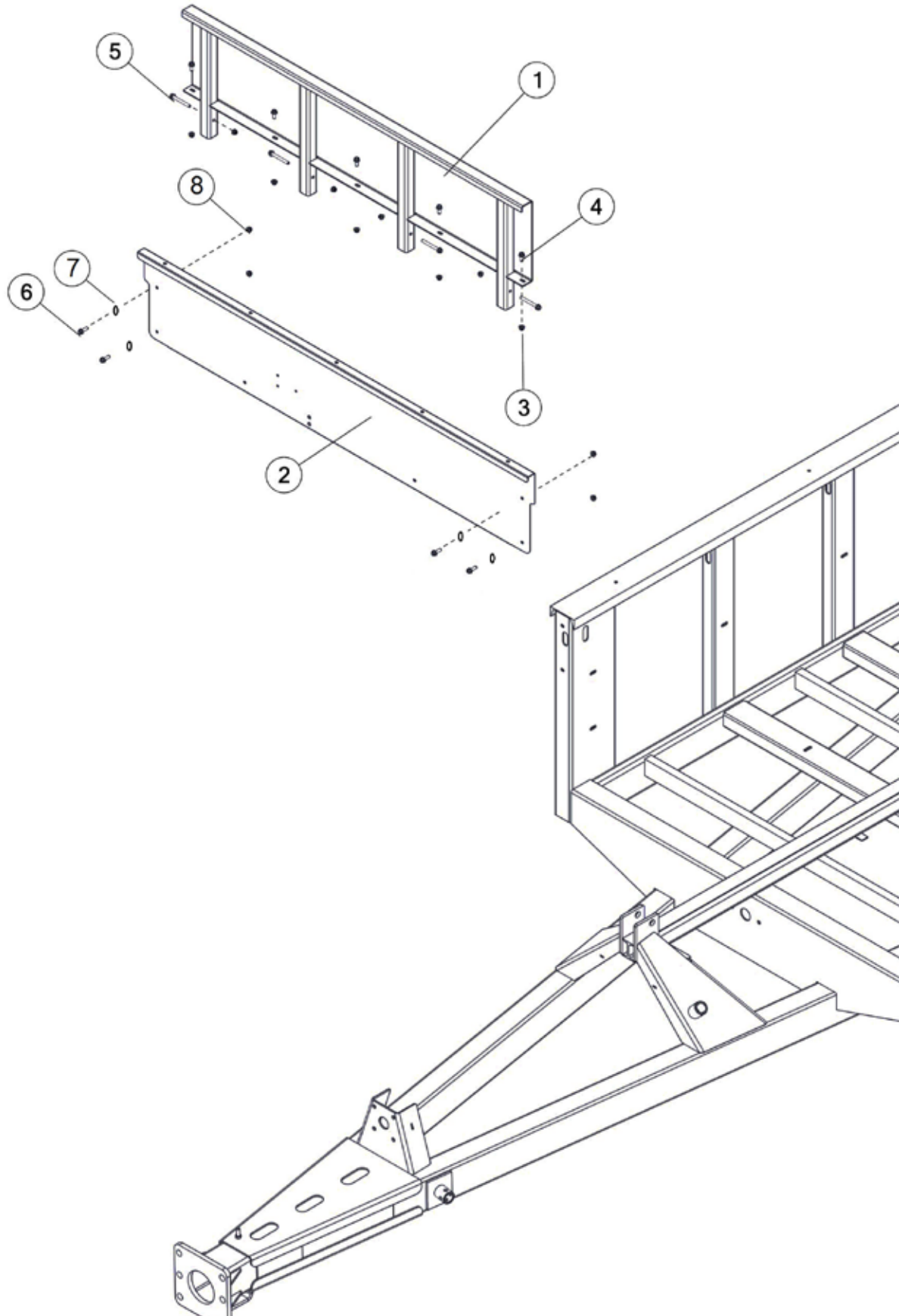




FIGURE 6 PUSHER SPACERS & COMPONENTS

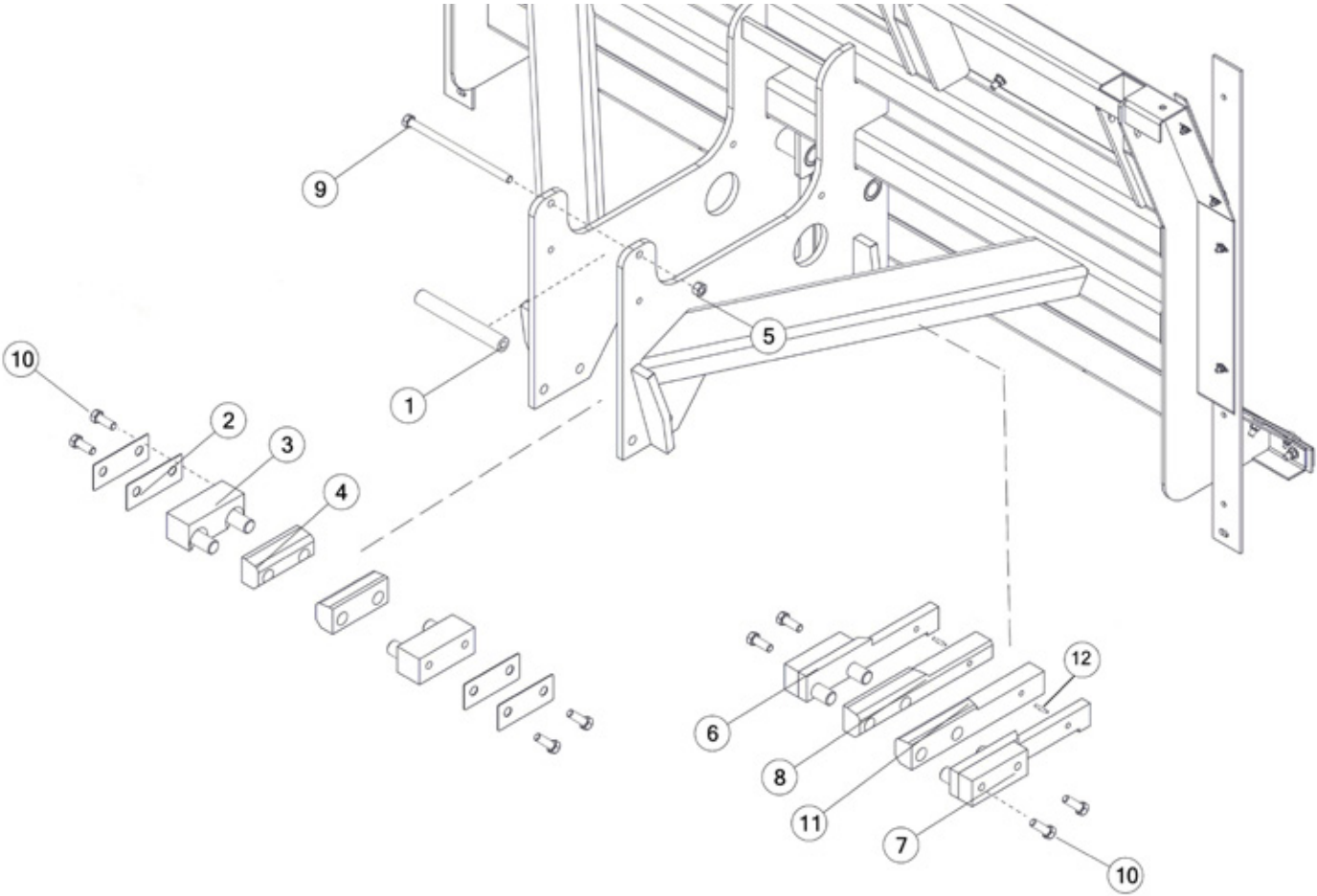




FIGURE 7

GEARBOX DRIVE & COMPONENTS

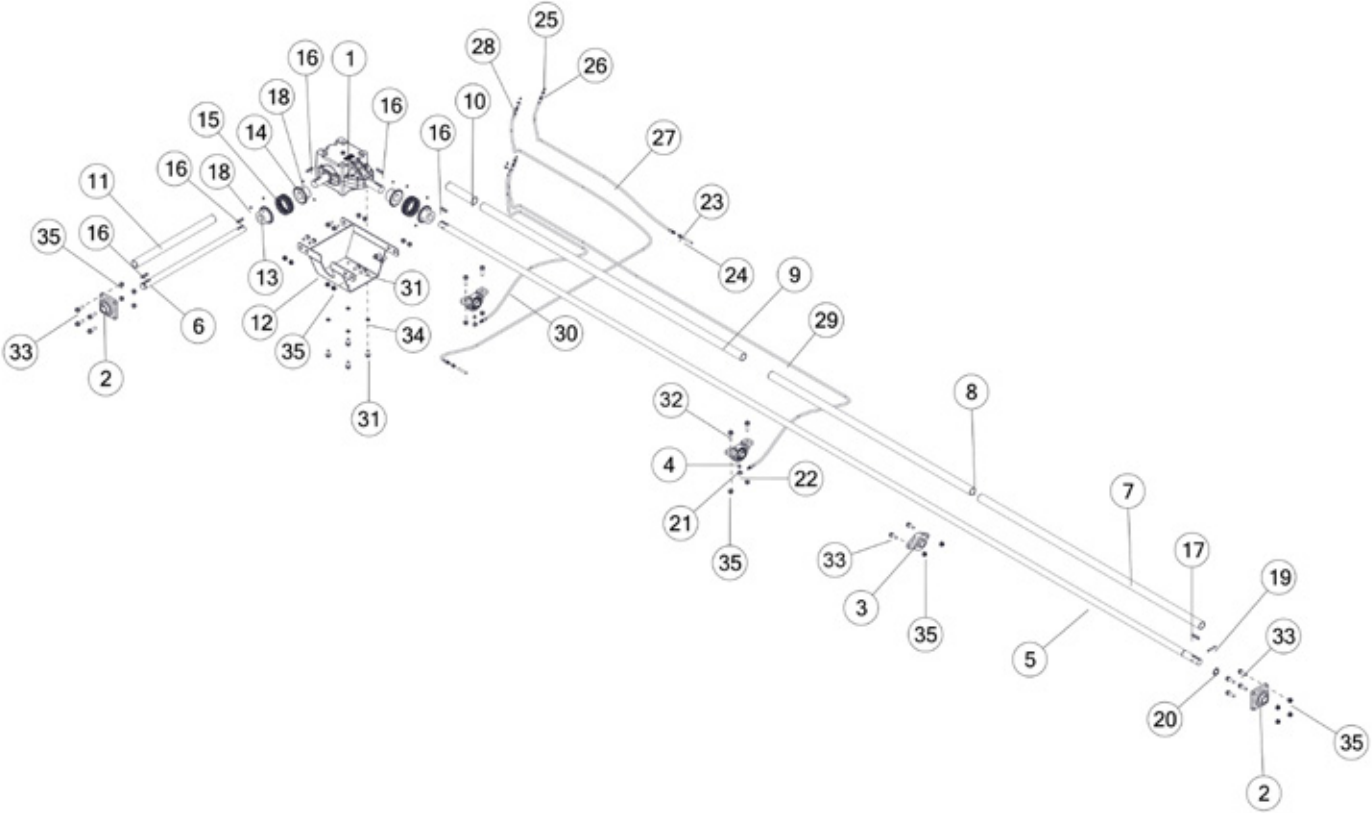




FIGURE 7

GEARBOX DRIVE & COMPONENTS

REF #	PART #	DESCRIPTION	QTY
1	89515	COMPLETE GEARBOX	1
2	12V99	BRG, 5.13 X 1.50 X 2.02, FLANGE	2
3	42N18	PILLOW BLOCK BEARING W/STRAIGHT, 1-1/2	1
4	60659	BEARING	2
5	87954	INPUT SHAFT	1
6	56783	CROSS SHAFT - FOR CLUTCH	1
7	42N16	INPUT PVC SHIELD	1
8	42N19	DRIVE SHAFT CENTER PVC SHIELD	1
9	89518	DRIVE SHAFT MIDDLE PVC SHIELD	1
10	87955	DRIVE SHAFT BACK PVC SHIELD	1
11	42N23	CROSS SHAFT PVC SHIELD	1
12	89568	GEARBOX MOUNT	1
13	42N24	SPROCKET 50-B-20 1-1/2 BORE	2
14	42N25	SPROCKET 50-B-20 1-3/4 BORE	2
15	HGV124	CONNECTOR CHAIN #50 X 20	2
16	56N174	SQRE KEY, 3/8 X 2	4
17	S138	SQRE KEY, 3/8 X 2-3/8	1
18	YSKP12025	SET SCR, SOCKET, KNURLED CUP PT, 3/8-16 X 3/8	8
19	YPEX12025	EXPANSION PIN, 3/8 X 2-3/4	1
20	12V62	HEAVY DUTY EXTERNAL SNAP RING, 1-1/2	1
21	TS323	FITTING STRAIGHT, 1/4-28, 1/8-27NPT	2
22	58453	FITTING, 90, 1/8NPT, 1/8NPT	2
23	88827	FITTING STRAIGHT, 1/8NPT, 1/8NPT	2
24	66077	NIPPLE, 1/8 MALE PIPE X 2-1/2	2
25	G89	STRAIGHT ZERK, 1/2-28	4
26	YNJM04005	NUT JAM, 1/8 A	4
27	88909	GREASE HOSE, 3, 66	1
28	89728	GREASE HOSE, 3, 134	1
29	89725	GREASE HOSE, 3, 161	1
30	89723	GREASE HOSE, 3, 77	1
31	YBFB16125	BOLT FLANGE, 1/2 X 1-1/4 G5	12
32	YBFB16200	BOLT FLANGE, 1/2 X 2 G5	4
33	YBFB16175	BOLT FLANGE, 1/2 X 1-3/4 G5	10
34	YWLO16005	WASHER LOCK, 1/2	4
35	YNFG16003	NUT FLANGE, 1/2 GF	22





FIGURE 8 HYDRAULICS

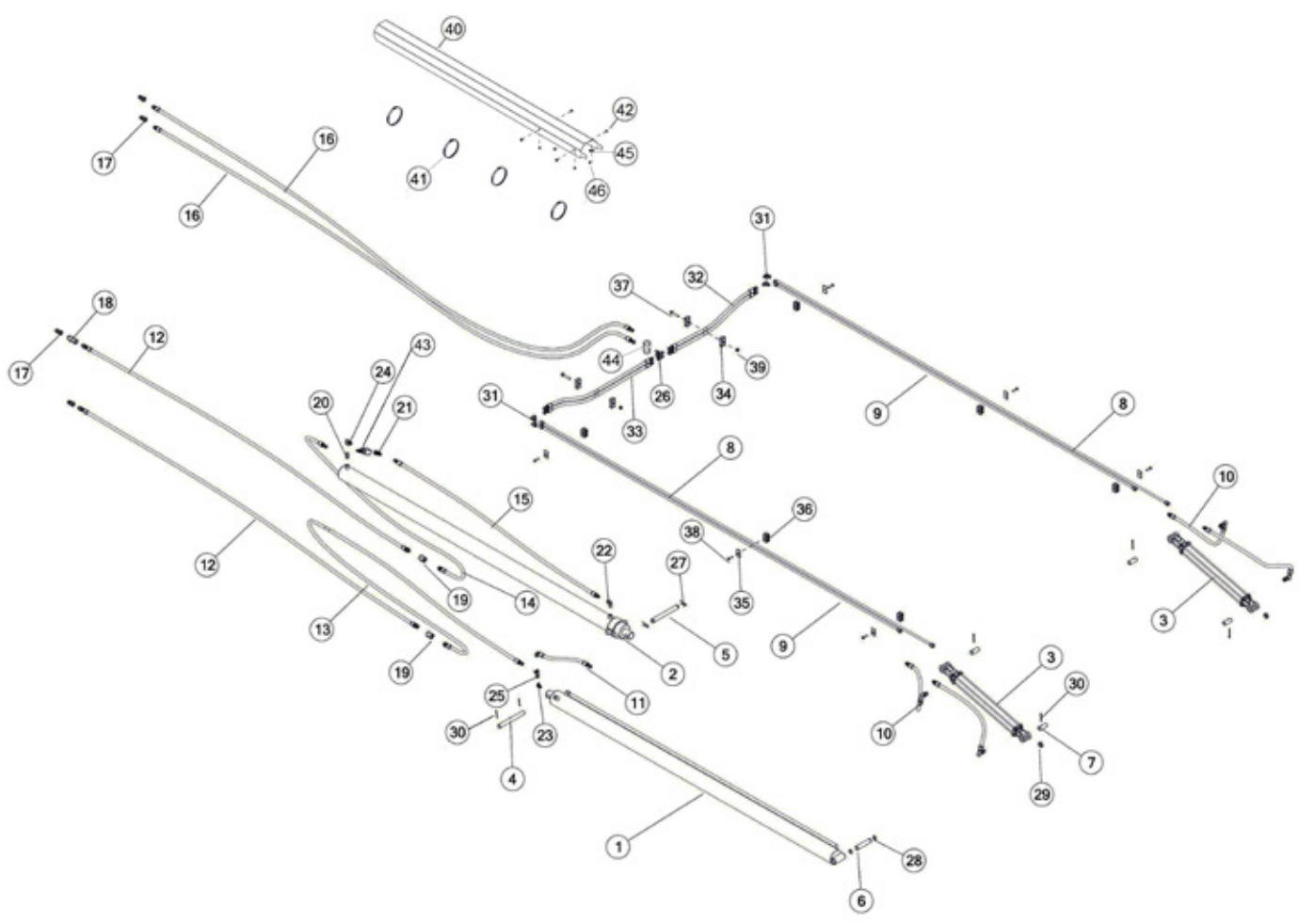




FIGURE 8

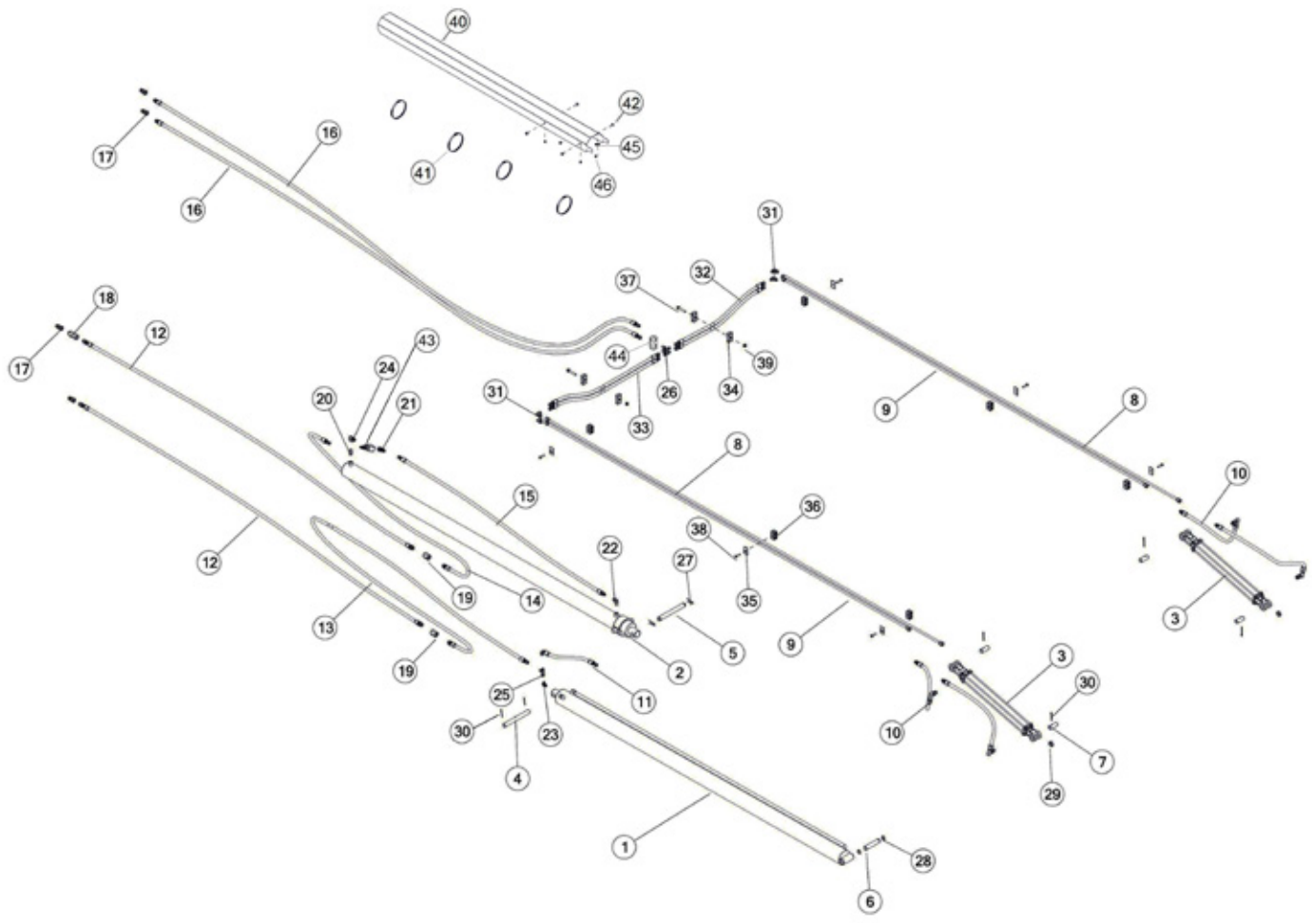
HYDRAULICS

REF #	PART #	DESCRIPTION	QTY
1	42N70	HYDRAULIC CYLINDER, TRUNNION 3-1/2 X 90	1
2	42N69	HYDRAULIC CYLINDER, GIMBAL 3-1/2 X 90	1
3	90970	HYDRAULIC CYLINDER, 2 X 20	2
4	42N71	CYLINDER PIN	1
5	42N72	PUSHER CYLINDER PIN	1
6	42N80	REAR CYLINDER PIN	1
7	56N141	SHAFT, RND, 1.00 X 2.50, PIN, CYLINDER	4
8	90968	HYDRAULIC TUBE, 1/2 X 144	2
9	90969	HYDRAULIC TUBE, 1/2 X 132	2
10	90972	HYDRAULIC HOSE, 6, 36	4
11	89579	HYDRAULIC HOSE, 6, 20	1
12	89588	HYDRAULIC HOSE, 6, 126	2
13	89594	HYDRAULIC HOSE, 6, 164	1
14	89586	HYDRAULIC HOSE, 6, 88	1
15	89581	HYDRAULIC HOSE, 6, 77	1
16	89629	HYDRAULIC HOSE, 6, 182	2
17	67148	FTG, ST, 8ORB, QUICK COUPLER TIP	4
18	89576	HYDRAULIC VALVE, CHECK	1
19	90154	FITTING STRAIGHT, 10ORB, 10ORB	2
20	16SV351	FITTING STRAIGHT, 6NPT X 6NPT	1
21	89574	FITTING T, 6 JIC, 6 JIC, 8 ORB	1
22	CHM164	FITTING, 90, 6JIC X 3/8NPT	1
23	58151	FITTING 45, 3/8JIC, 3/8-18NPTF	1
24	55923	8 ORB TO 3/8 NPTF, 90 DEG	1
25	CHM242	FITTING, TEE, 6JIC X 6JIC X 6JIC	1
26	8005	FITTING TEE, 8JIC X 8JIC X 8JIC, BULKHEAD	2
27	YPHR02020	HAIR PIN, #23-10	2
28	3G21	SNAP RING, 1 HEAVY DUTY	2
29	K132	SPACER, 3/8 LONG	2
30	YPCT05025	COTTER PIN, 5/32 X 2	4
31	58187	FITTING, 8-6 ETX-S	4
32	89635	HYDRAULIC HOSE, 6, 32	2
33	89632	HYDRAULIC HOSE, 6, 45	2
34	86567	DOUBLE CLAMP, UNIVERSAL	4
35	56563	CLAMP TOP PLATE	6
36	TS118	LINE CLAMP BLOCK (PART OF T2008S)	6
37	YBFB12250	BOLT FLANGE, 3/8 X 2-1/2 G5	2
38	56568	CLAMP BOLT, 5/16-18 x 1-3/8	6
39	YNFG12006	NUT FLANGE, 3/8 GF	2





FIGURE 8 HYDRAULICS



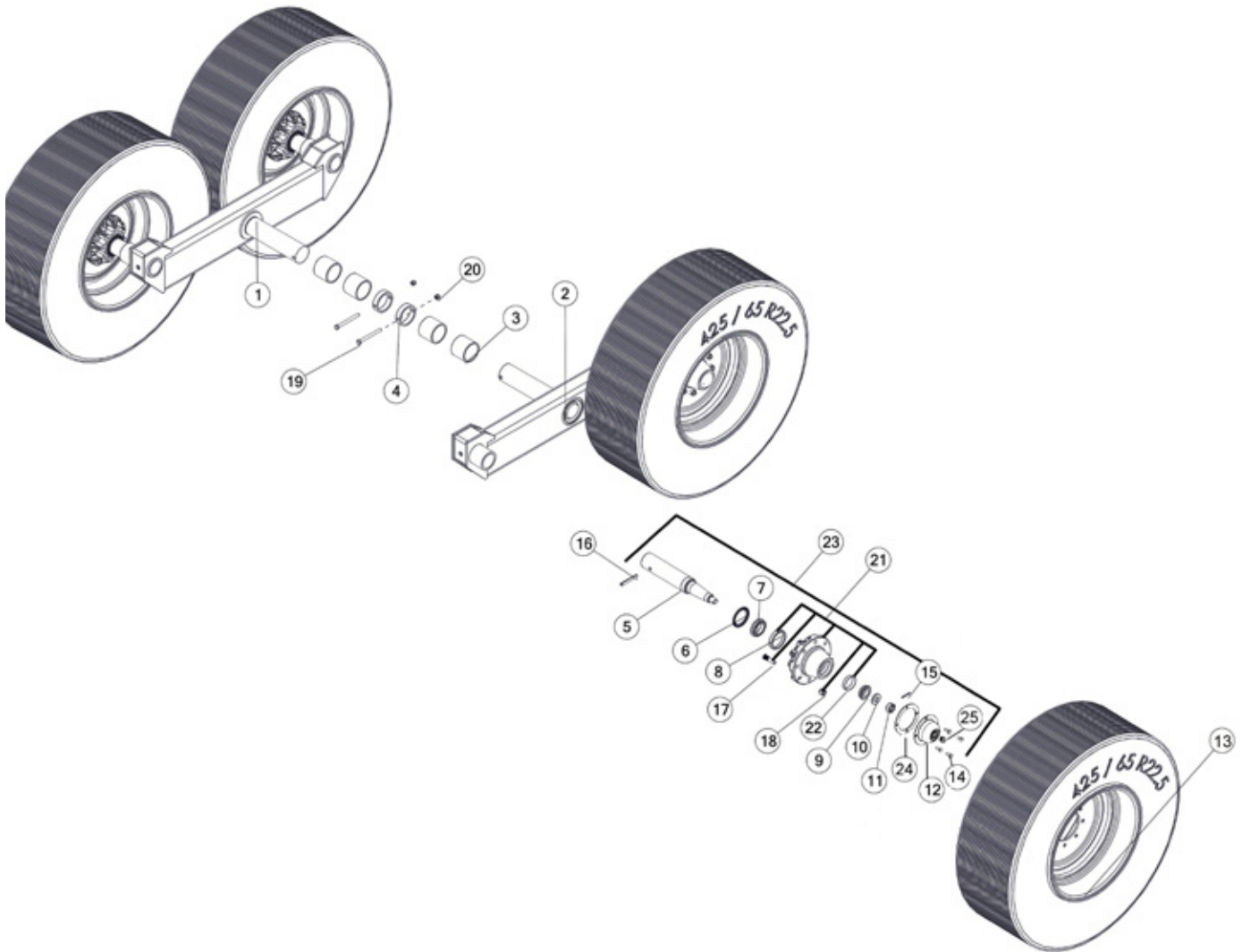




FIGURE 9

TANDEM AXLE AND WHEEL COMPONENTS

REF #	PART #	DESCRIPTION	QTY
1	42N7	TANDEM AXLE RH	1
2	42N6	TANDEM AXLE LH	1
3	45N36	POLY BUSHING	4
4	45N35	AXLE KEEPER	2
5	93106	SPINDLE	4
6	93107	GREASE SEAL	4
7	54597	BEARING CONE	4
8	54593	INNER RACE	4
9	17G150	TAPERED ROLLER BEARING, 1.625 BORE	4
10	33SV95	SPINDLE WASHER	4
11	YNSL32005	NUT SLOT, 1-14 NA G2 NF	4
12	93110	HUB CAP	4
13	TWP425S	(4) 425 X 22.5 USED TRUCK TIRES W/SLVR 8 B RIMS	1
*	90192	ASSEMBLY, TIRE AND WHEEL	4
*	90185	WHEEL, 22.5 X 13.5 8 BOLT SILVER	4
*	16SV88	TIRE, 425 X 22.5	4
*	72438	VALVE STEM, 1-1/2	4
13	TWP19LS	(4) 19L X 16.1 10 PLY TIRES W/SILVER 8 BOLT RIMS	1
*	90193	ASSEMBLY, TIRE AND WHEEL	4
*	90186	WHEEL, W16C-16.1 8 BOLT SILVER	4
*	UR8	19L X 16.1 TIRE	4
*	72437	VALVE STEM, 1.25IN HD	4
13	TWP5508S	(4) 550/45 X 22.5 TIRES W/SILVER 8 BOLT RIMS	1
*	90197	ASSEMBLY, TIRE AND WHEEL, RH	2
*	90187	WHEEL, 22.5 X 16.00 8 BOLT SILVER	2
*	33381	TIRE, 550/45 - 22.5 16PLY FLOATATION	2
*	72437	VALVE STEM, 1.25IN HD	2
*	90198	ASSEMBLY, TIRE AND WHEEL, LH	2
14	YBHH08063	BOLT HEX, 1/4 X 5/8 G5	4
15	YPCT07175	COTTER PIN, 7/32 X 1-3/4	4
16	YPEX16020	EXPANSION PIN, 1/2 X 4	4
17	YBSD20010	BOLT STUD, 5/8 X 2-1/2 G8	32
18	YNWL20005	NUT WHEEL, 5/8-18 NA G5 ZC	32
19	YBHH16160	BOLT HEX, 1/2-13 X 5-1/2 G5	2
20	YNNY16005	NUT HEX, 1/2-13 LKNY G2 ZC	2
21	93103	HUB	4
22	17G149	RACE	4
23	93112	HUB AND SPINDLE ASSEMBLY	4
24	93109	GASKET	1
25	93111	OIL PLUG	1





FIGURE 10 ENDGATE & COMPONENTS

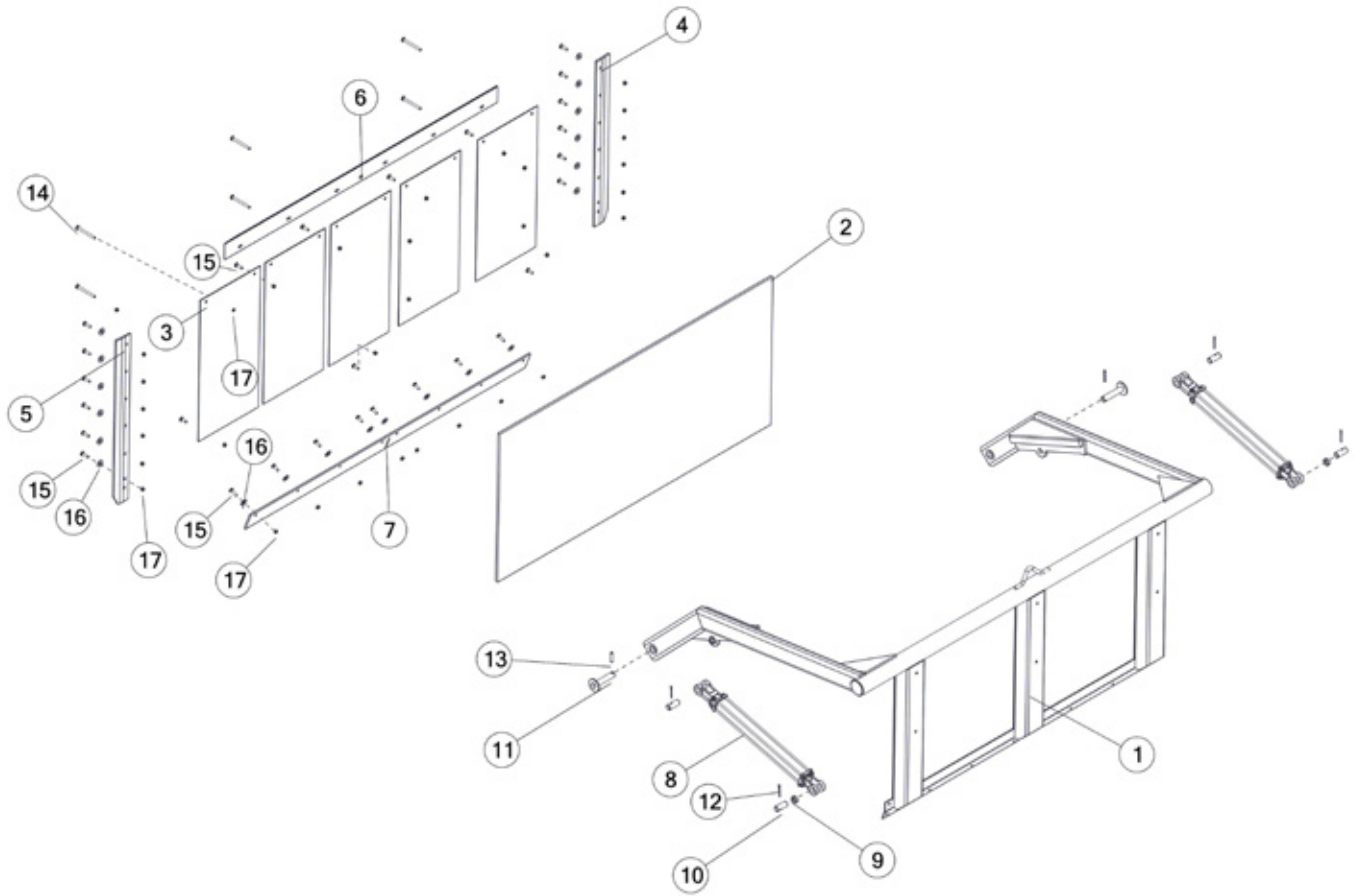




FIGURE 11

BEATER PANELS & COMPONENTS

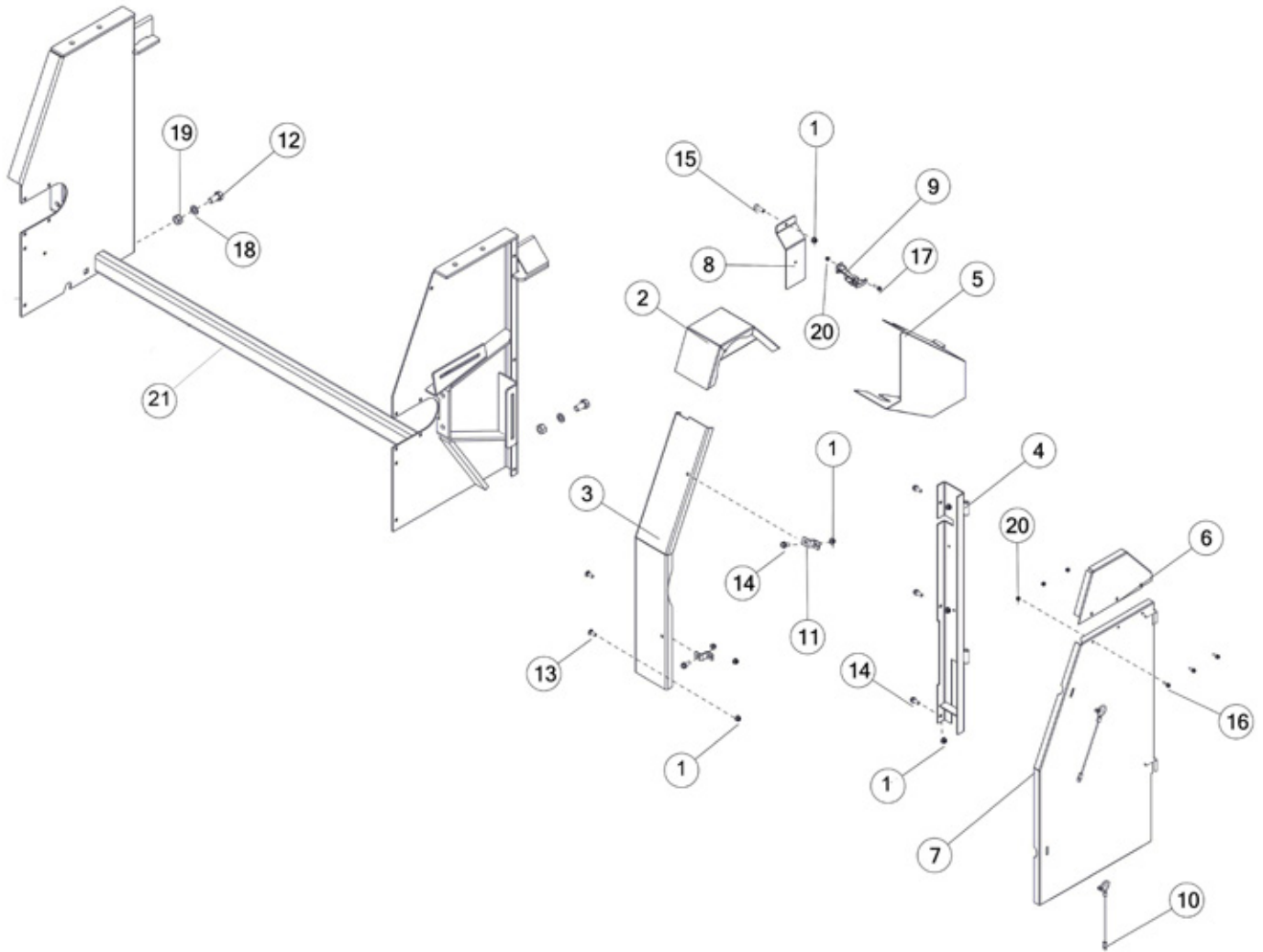




FIGURE 12 BEATERS & COMPONENTS

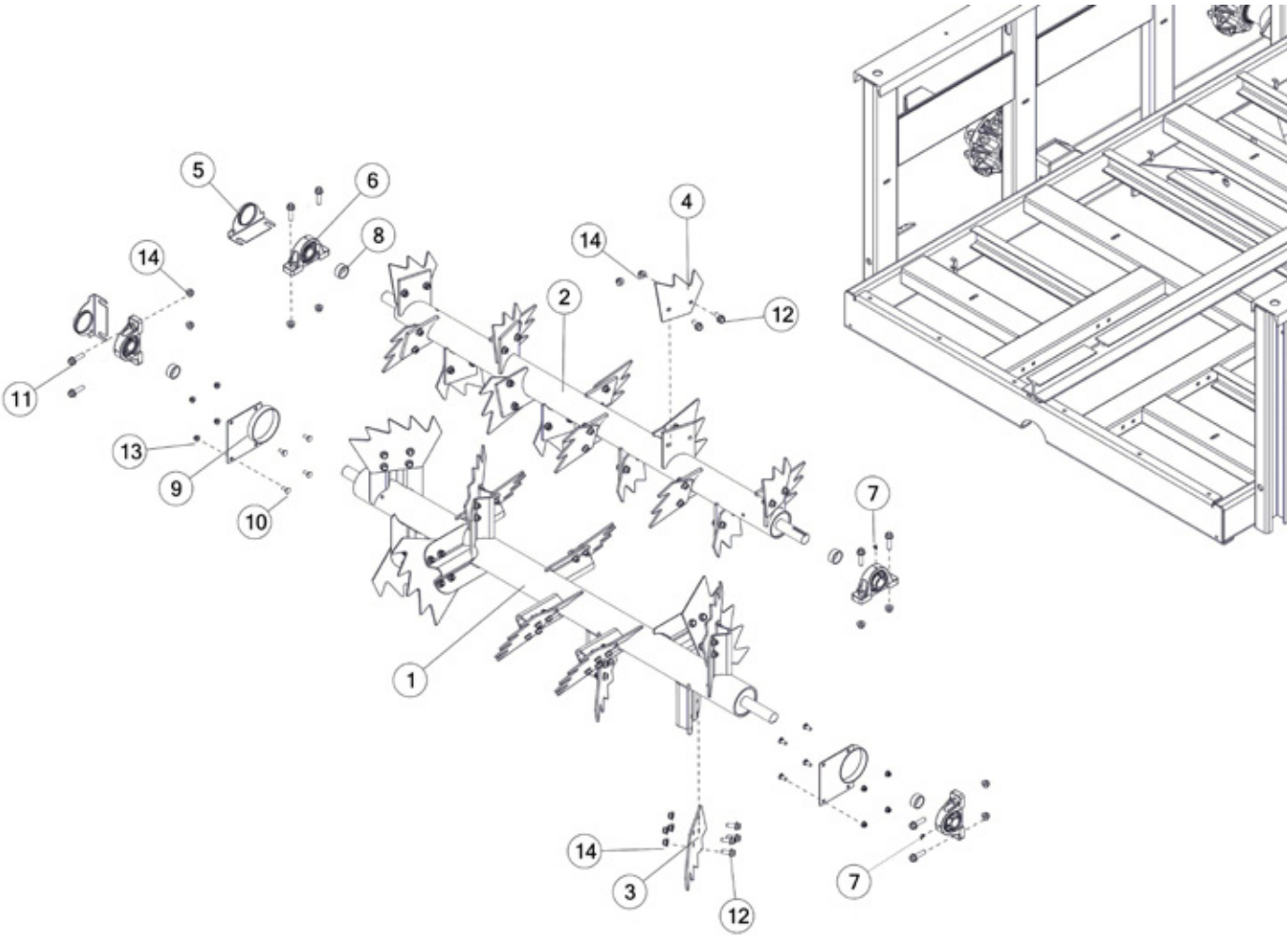




FIGURE 13 BEATER SPROCKETS & COMPONENTS

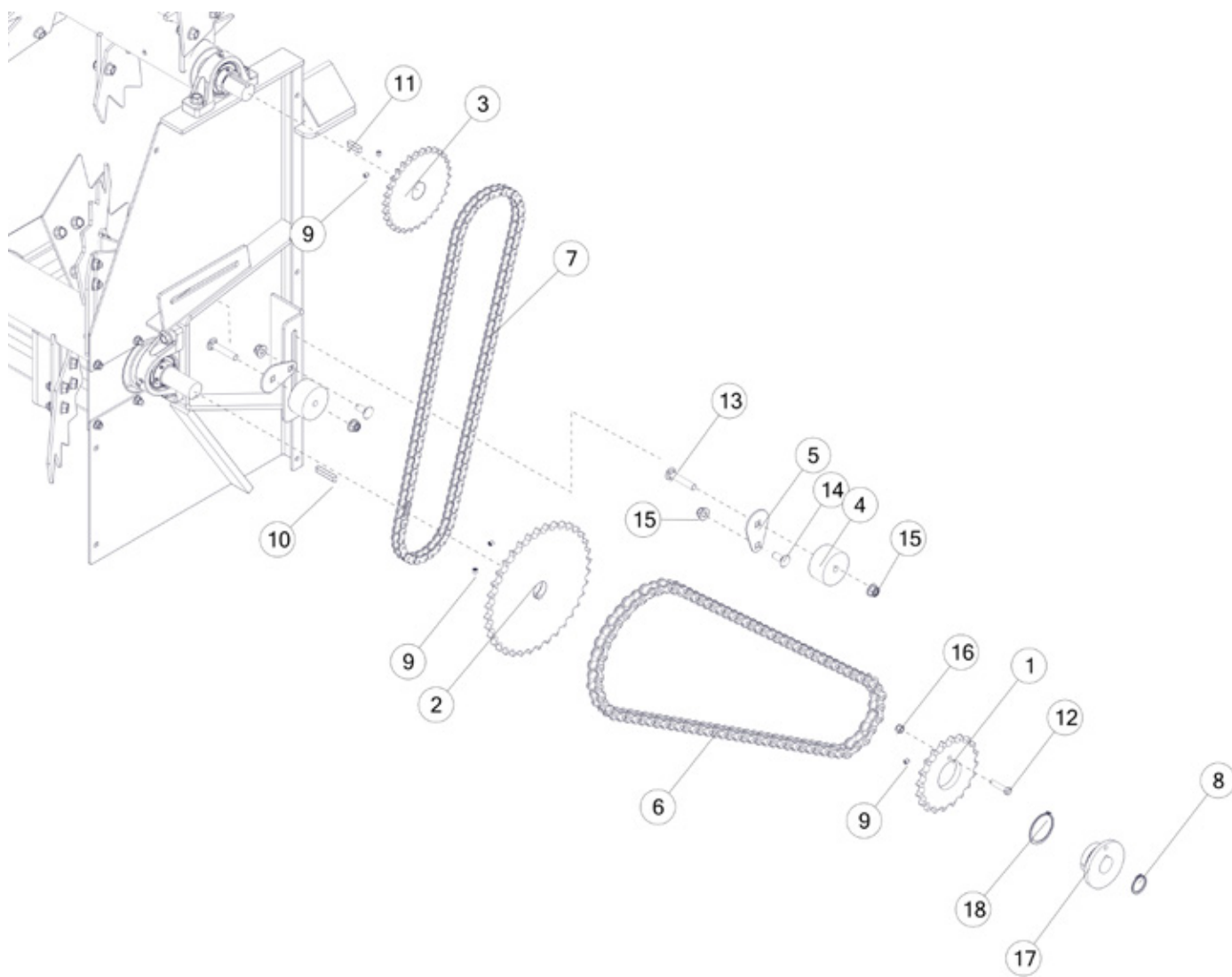
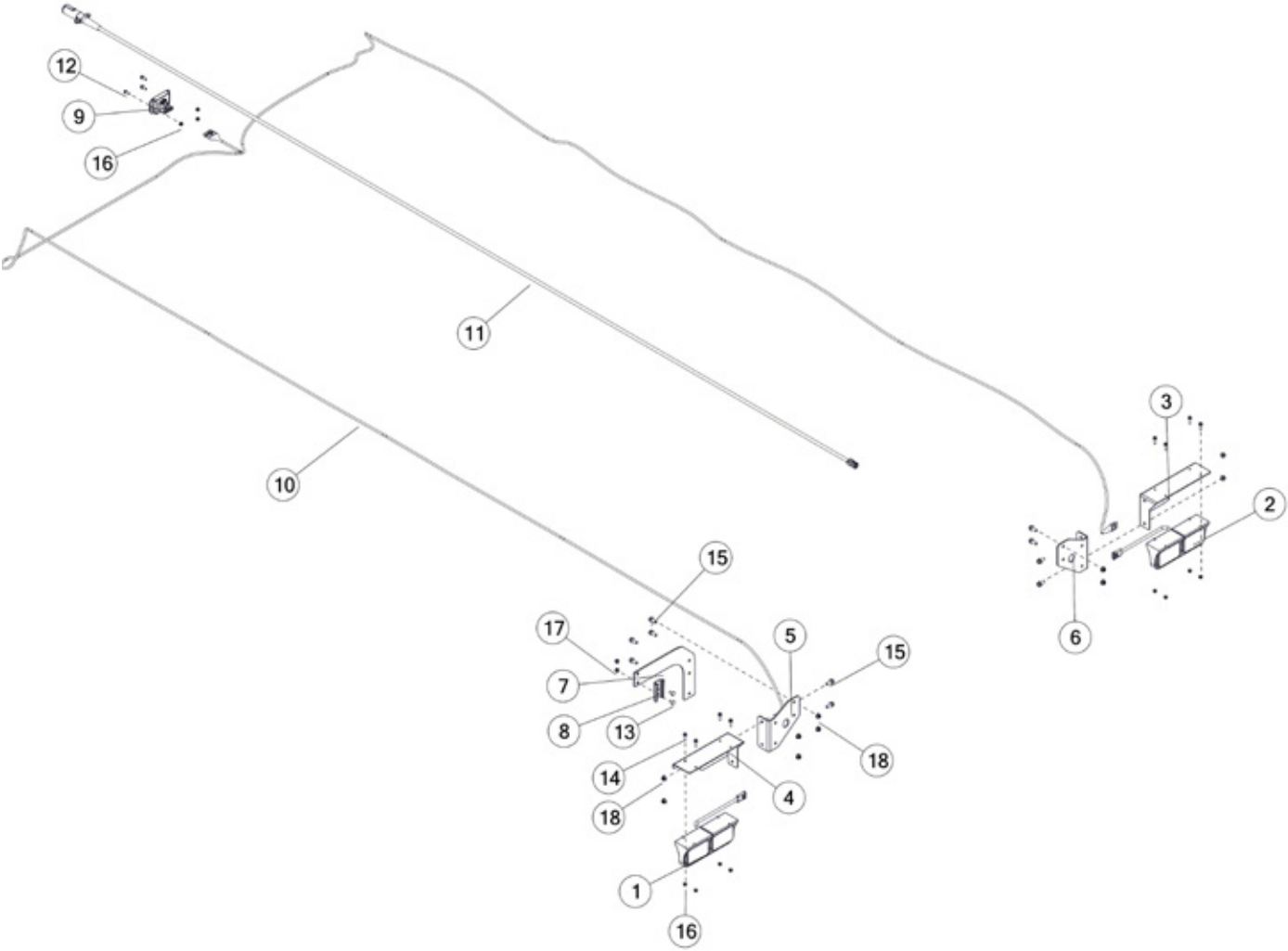




FIGURE 14

LIGHTS



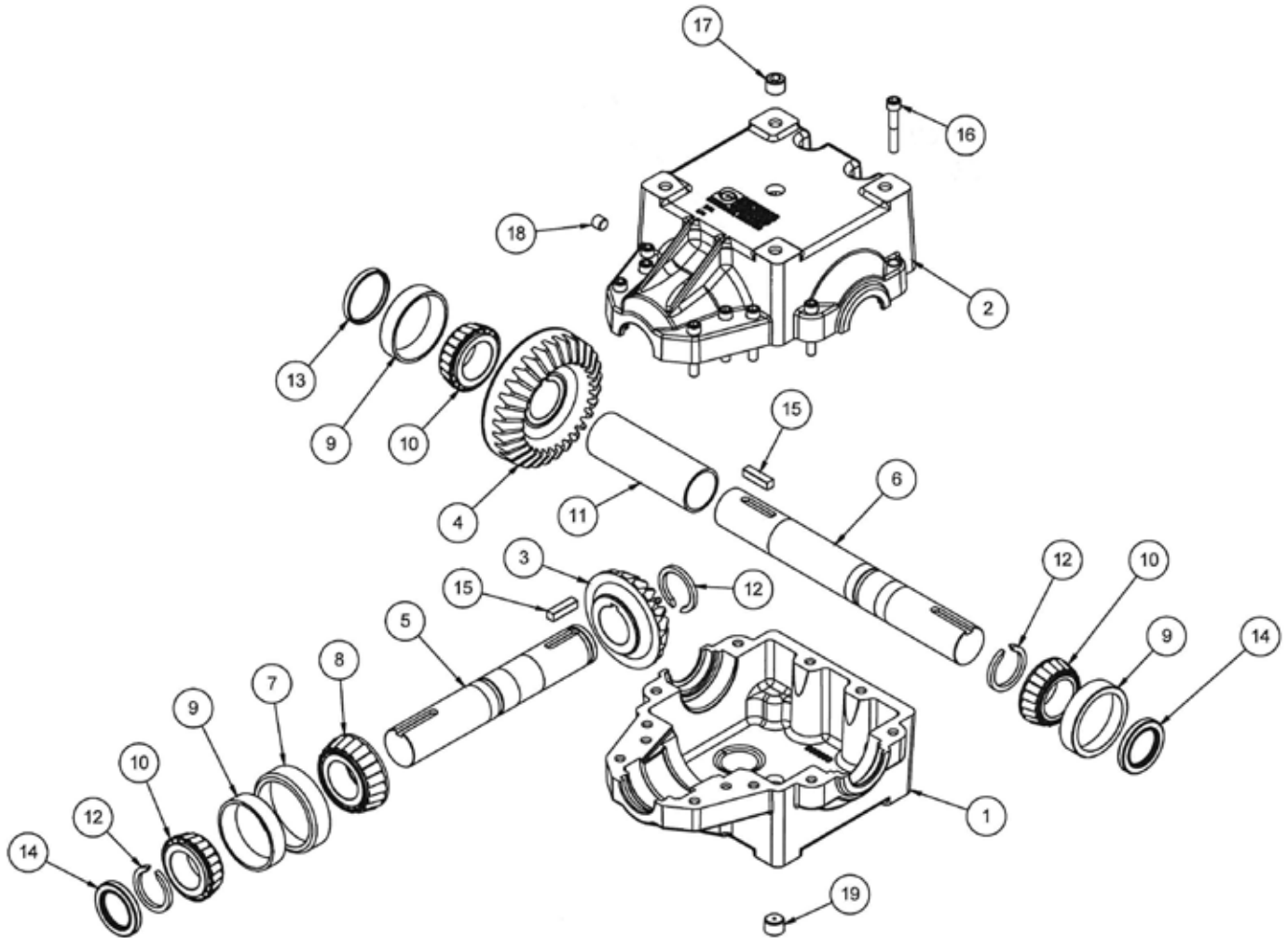




FIGURE 16
OPTIONAL FLOW CONTROL (HPOVSC)

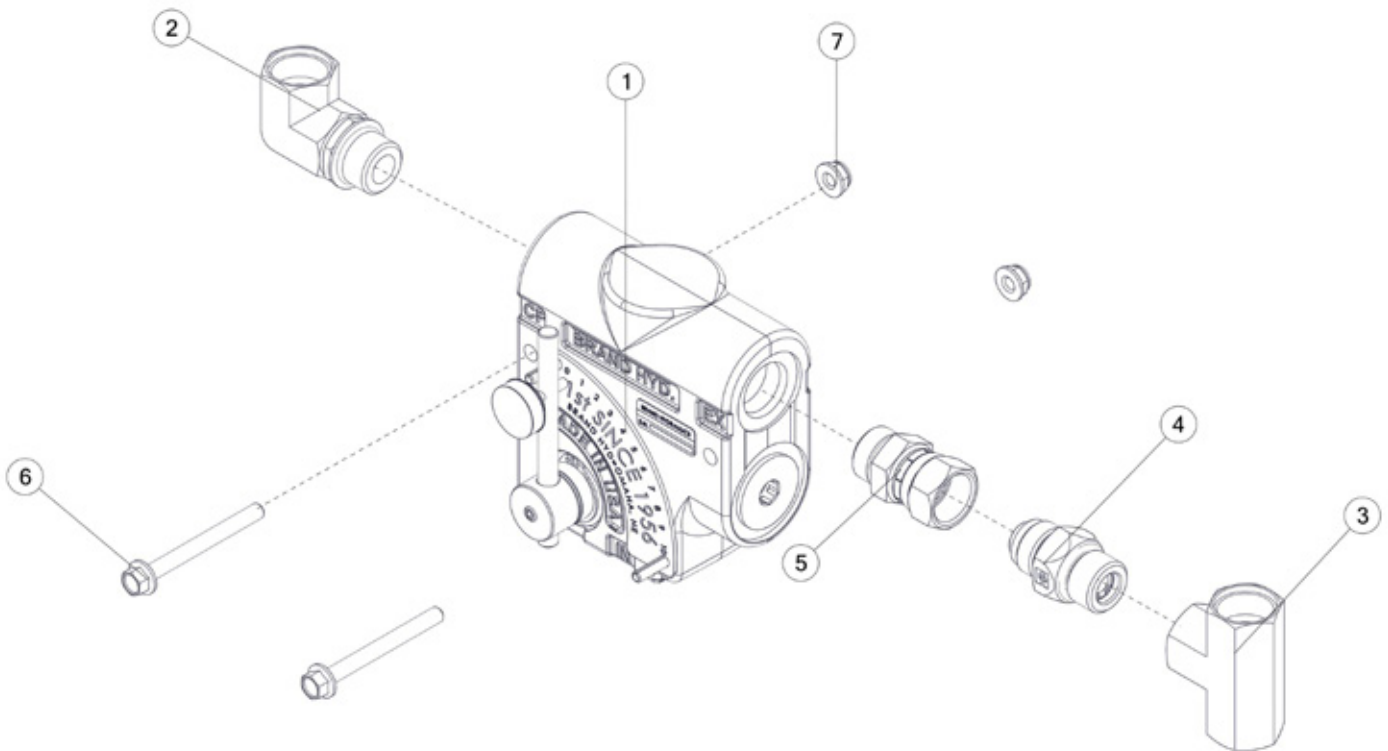




FIGURE 17

OPTIONAL PAN & COMPONENTS (MSHPOPAN)

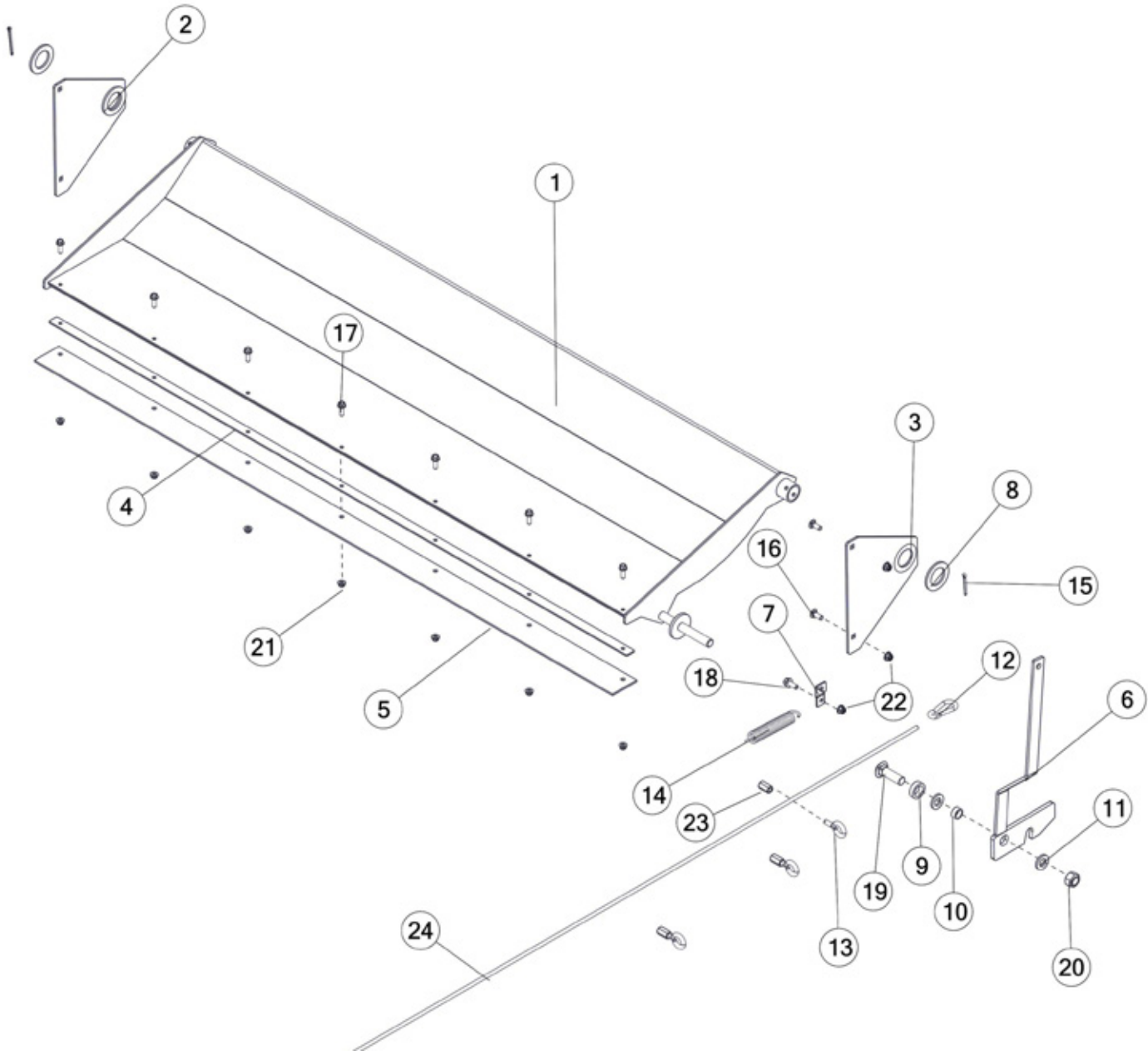




FIGURE 18

OPTIONAL VARIABLE SPEED CONTROL (HPOVSEC)

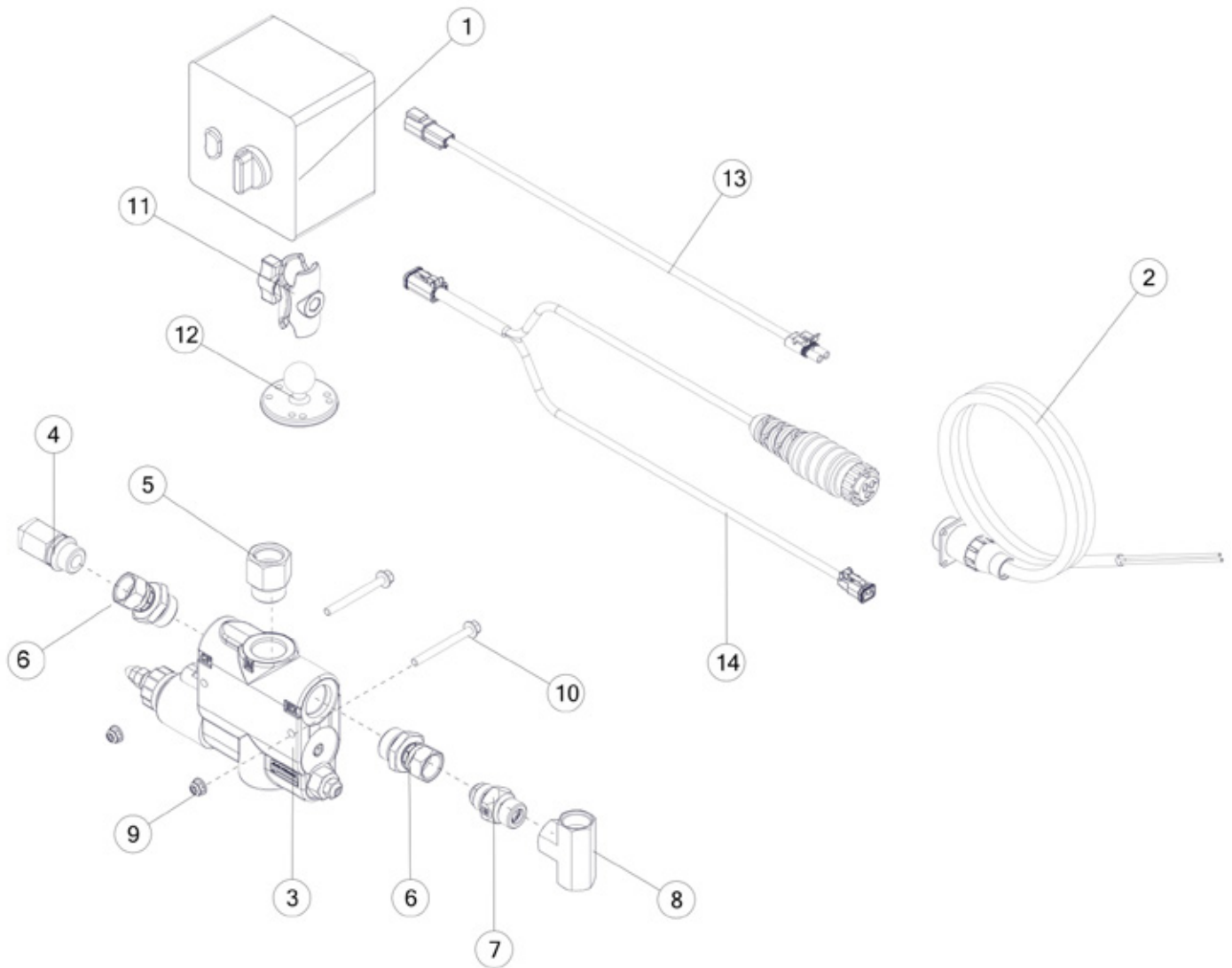




FIGURE 19
HPO1034CV PTO

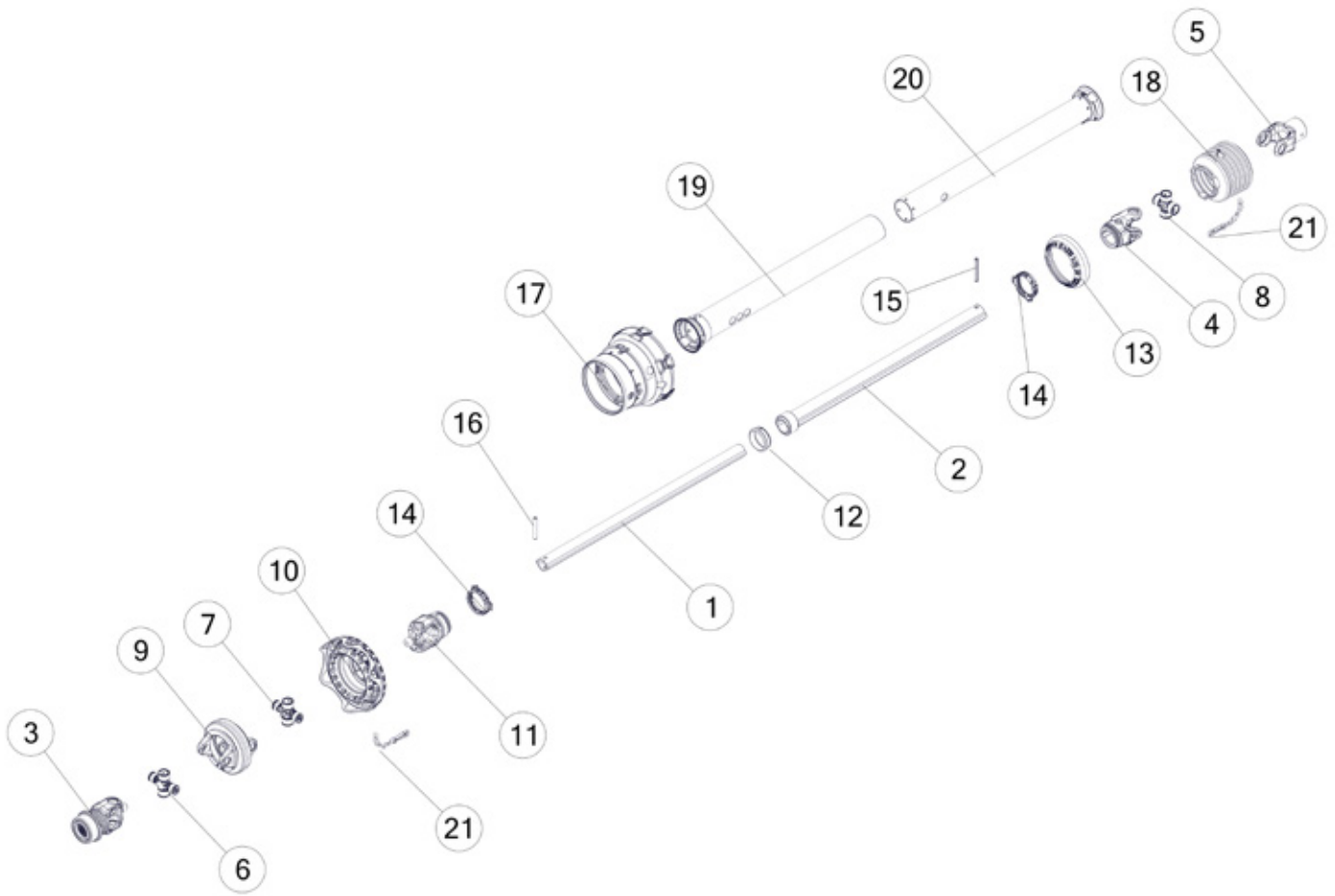
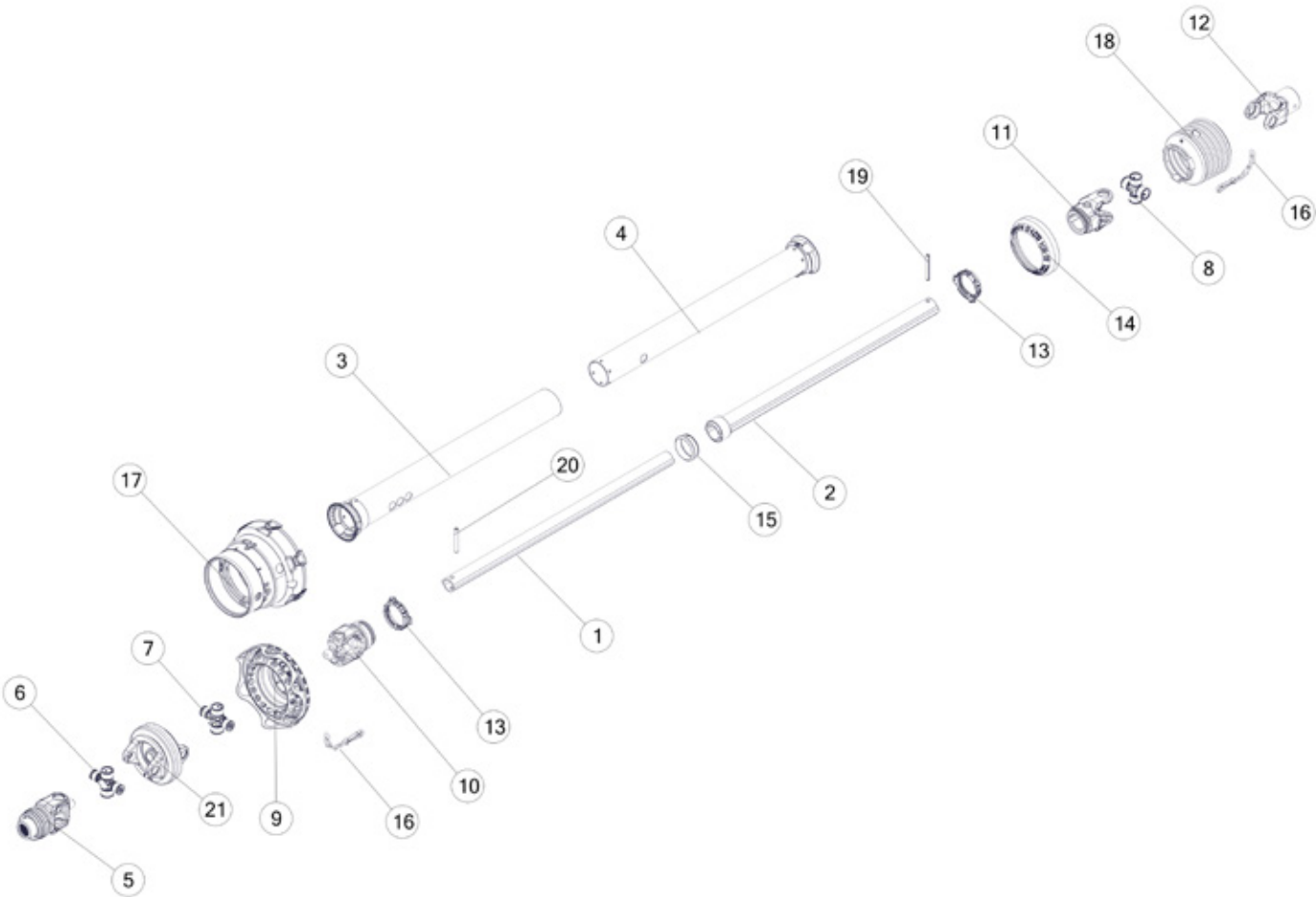




FIGURE 20
HPO1038CV PTO





H&S MFG. CO.

products approved

for the

FEMA

SEAL OF QUALITY



Manufactured by:

H&S MANUFACTURING CO., INC.

2608 S. HUME AVE. MARSHFIELD, WI 54449

(715) 387-3414 | hsmfgco.com

