



# HPH4242

## MANURE SPREADER

### PARTS BOOK

Part #89978

HSMFG110322

Rev. #03

Starting Ser. #322HP42001

**STRONG HERITAGE - STRONG PEOPLE - STRONGER FUTURE**





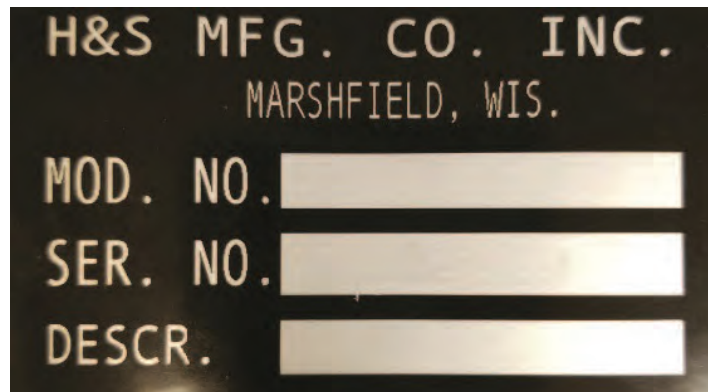
# INSTRUCTIONS FOR ORDERING PARTS

All service parts should be ordered through your authorized H&S dealer. Your Dealership will be able to give you faster service if you will provide them with the following:

1. All references to left or right apply to the machine as viewed from the rear.
2. Parts should not be ordered from illustration only. Please order complete part number.
3. If your dealer has to order parts - give shipping instructions:

VIA truck - large pieces (please specify local truck lines)

VIA United Parcel Service (include full address)



MODEL & SERIAL NUMBER LOCATED ON  
FRONT, LEFT SIDE OF PTO BEARING SUPPORT MOUNT

PLEASE RECORD NUMBERS FOR YOUR UNIT FOR QUICK REFERENCE

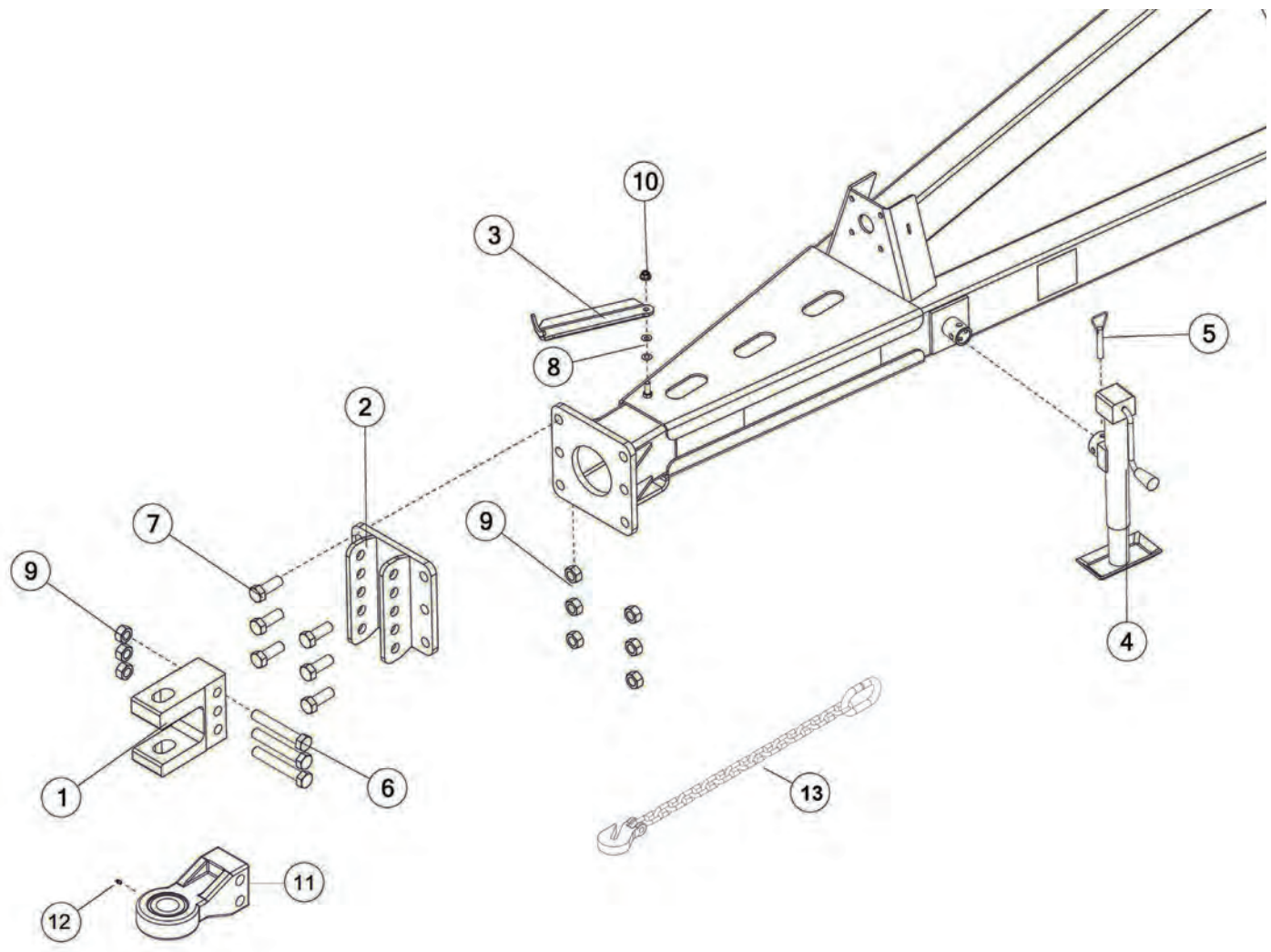
H&S IS CONTINUALLY STRIVING TO IMPROVE ITS PRODUCTS

We must, therefore, reserve the right to make improvements or changes whenever it becomes practical to do so, without incurring any obligation to make changes or additions to the equipment previously sold.





# FIGURE 1 HITCH & COMPONENTS





# FIGURE 1 HITCH & COMPONENTS

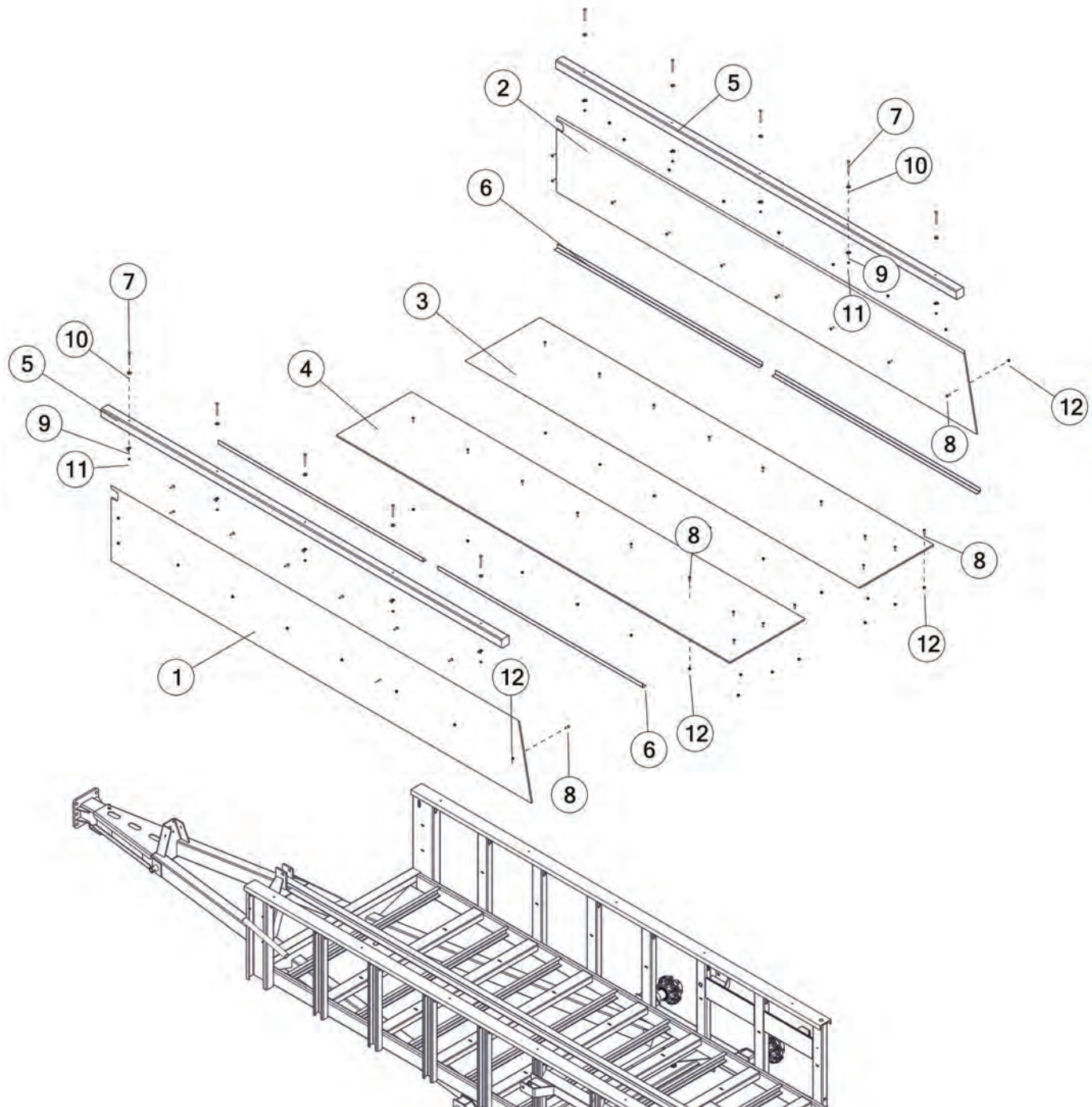
REF #	PART #	DESCRIPTION	QTY
1	56310	HEAVY CLEVIS OPTION	1
2	89538	HITCH MOUNT	1
3	42N2	PTO HOLDER	1
4	TS306	SIDE WIND JACK, 7000#	1
5	12N117	PIN, 0.56, 5.19, JACK	1
6	YBHH32028	BOLT HEX, 1-8 X 6-1/2 G8 ZY	3
7	YBHH32006	BOLT HEX, 1-8 X 2-3/4 G5	6
8	42N3	SPRING	2
9	YNL32005	NUT HEX, 1-8 LKTL C ZC	9
10	YNFG16003	NUT FLANGE, 1/2 GF	1
11	58290	ARTICULATING HITCH OPTION	1
12	G89	STRAIGHT ZERK, 1/4	1
13	SC40500	SAFETY CHAIN, 40,500 LB RATING, OPTIONAL	1







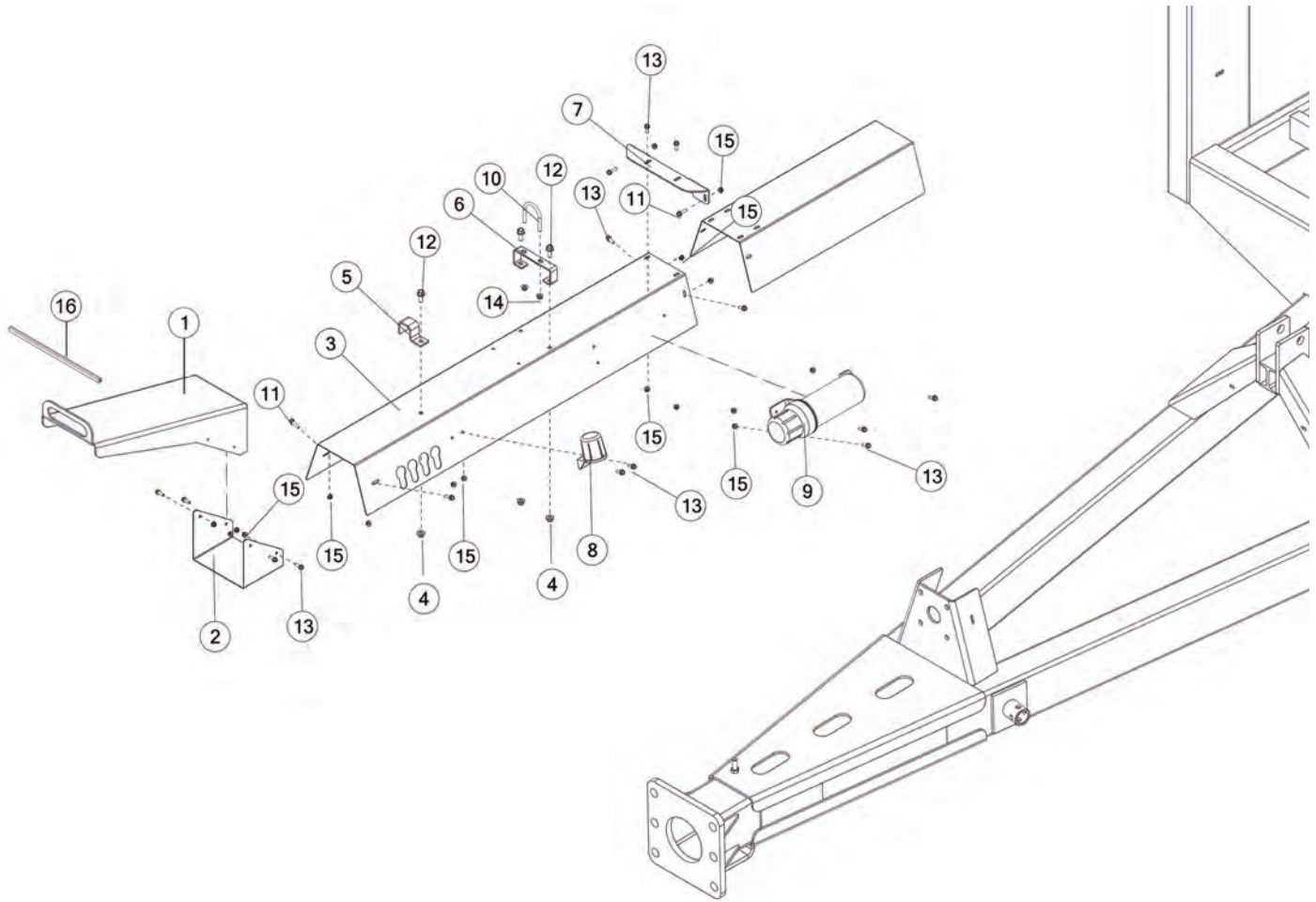
**FIGURE 2**  
**FLOOR & SIDE COMPONENTS**







# FIGURE 3 PTO SHIELD & COMPONENTS

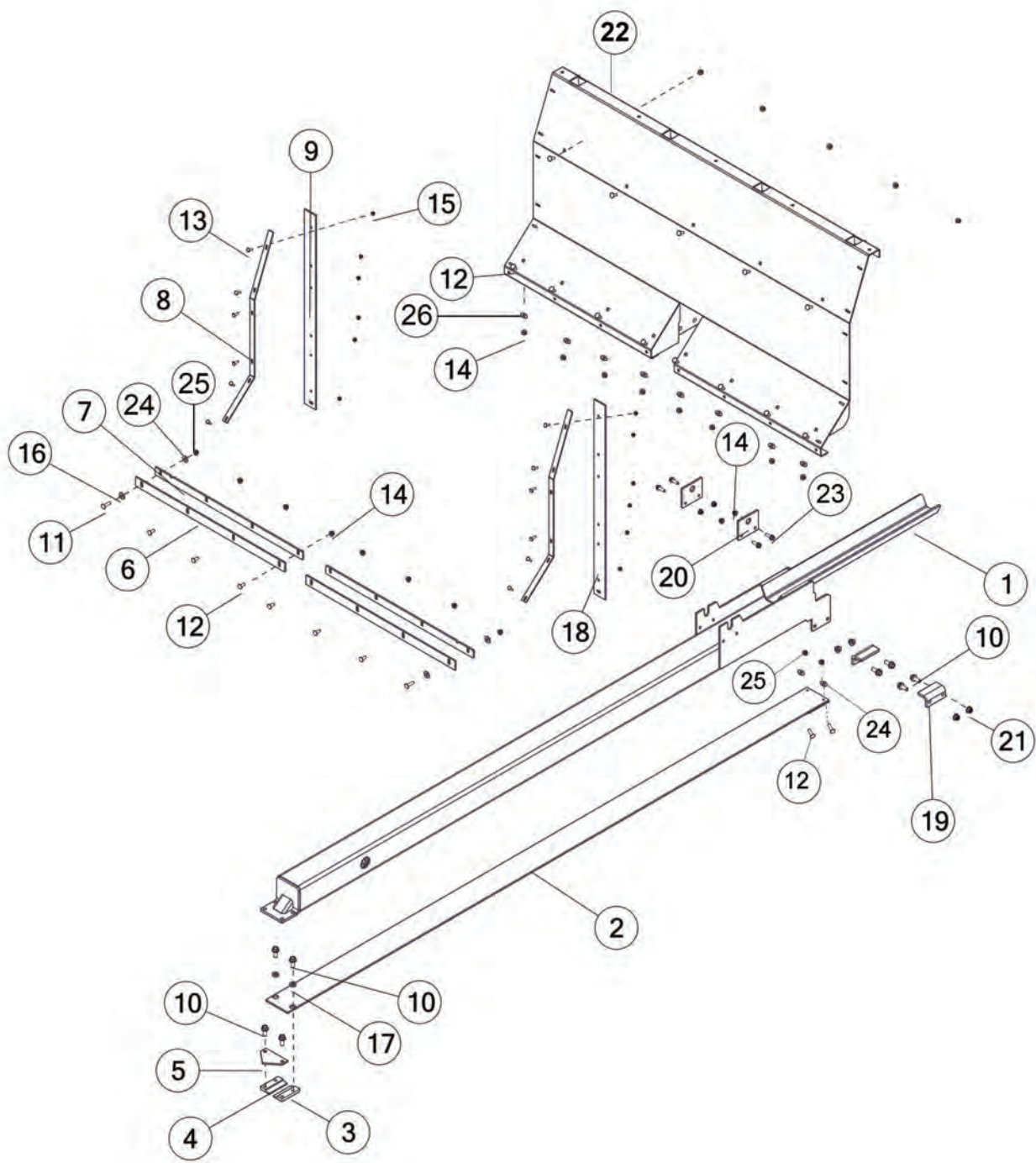








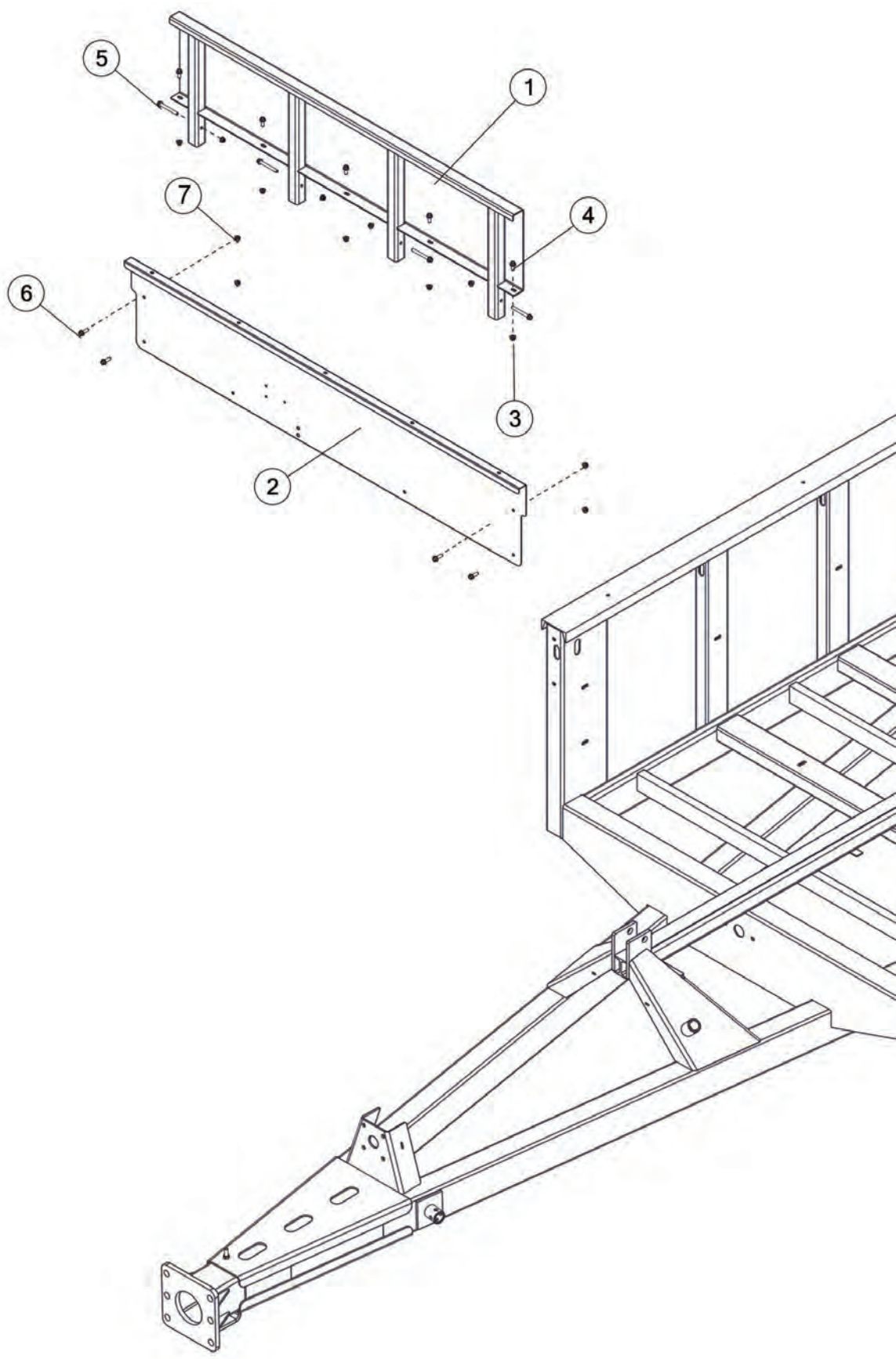
**FIGURE 4**  
**PUSHER COMPONENTS**







**FIGURE 5**  
**PUSHER EXTENSION & COMPONENTS**

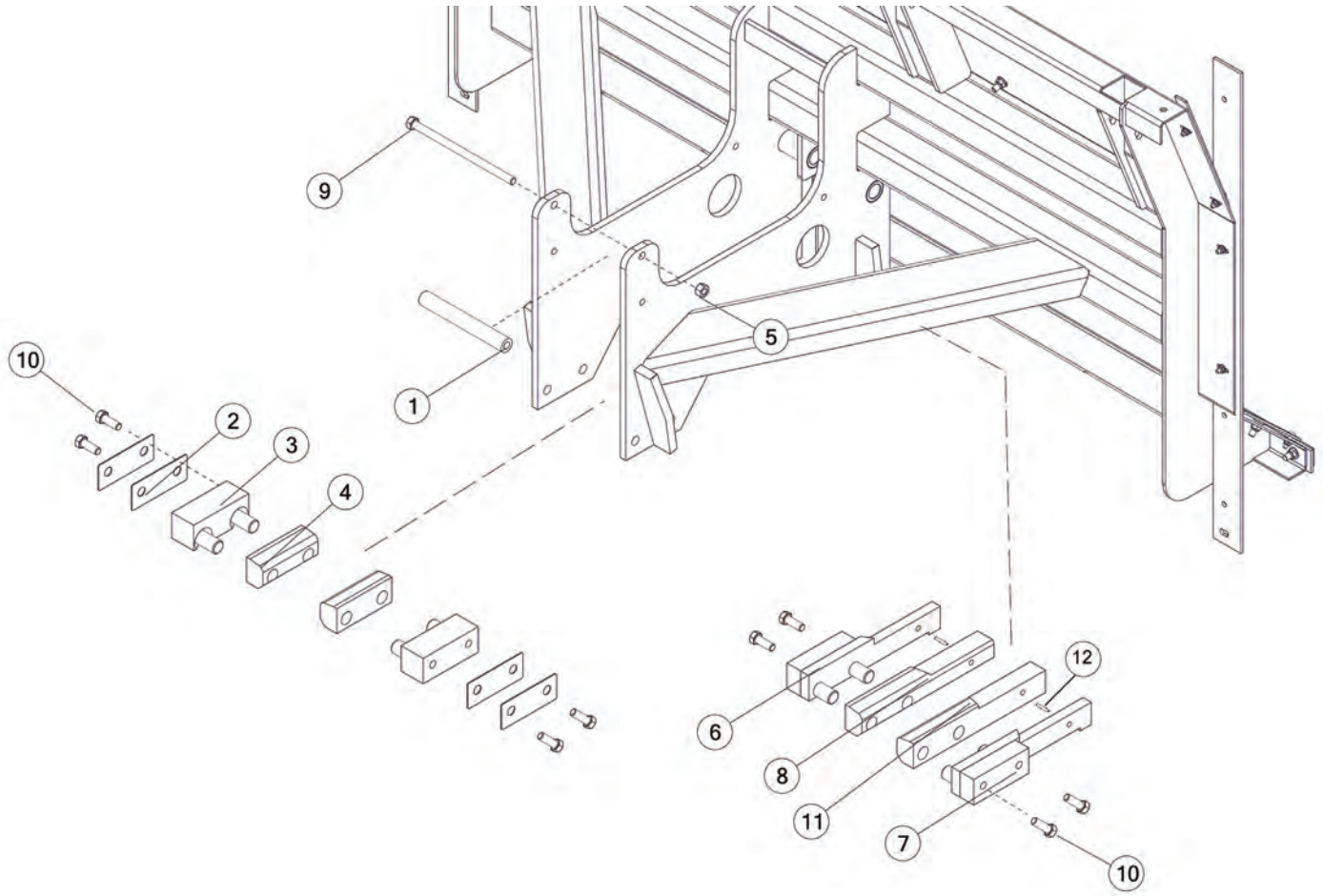








# FIGURE 6 PUSHER SPACERS & COMPONENTS

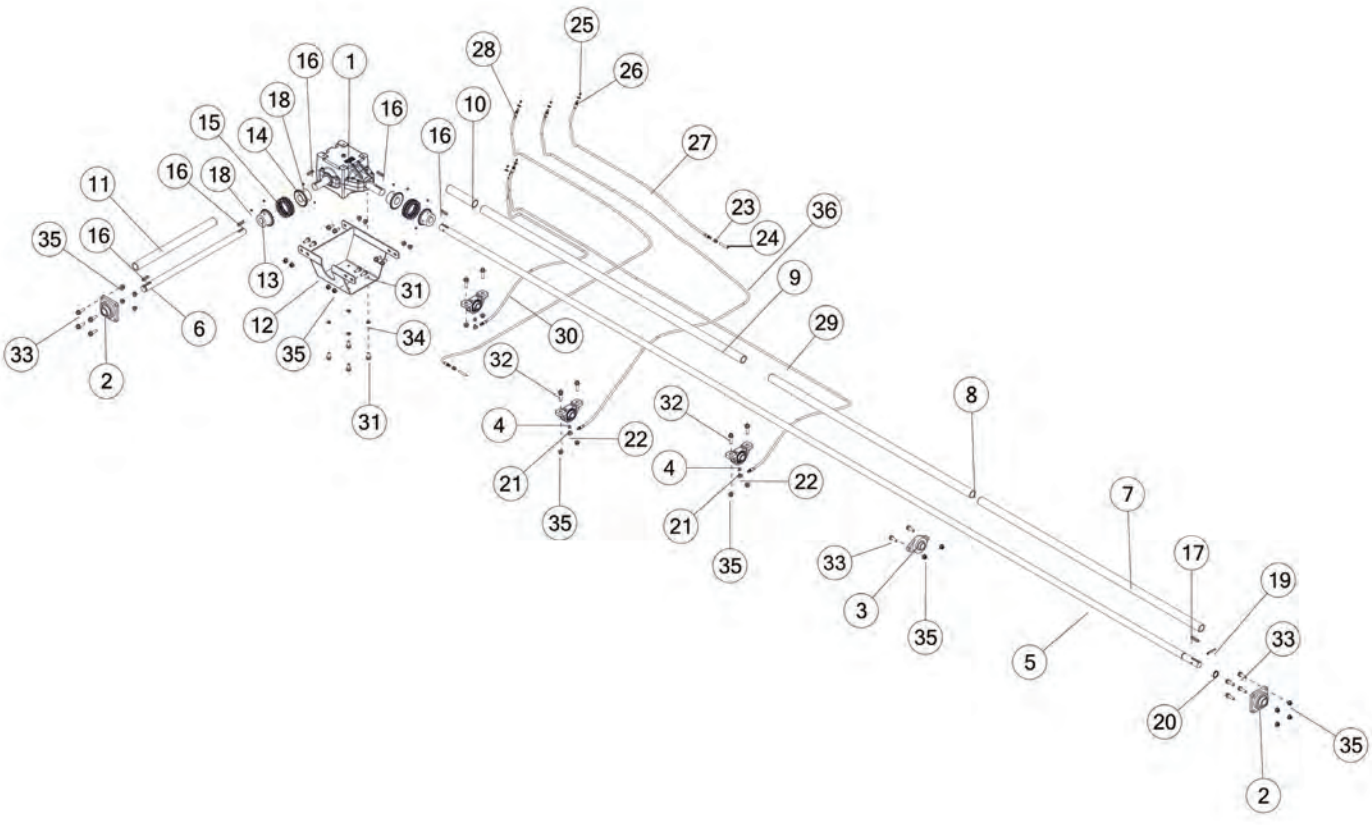








**FIGURE 7**  
**GEARBOX DRIVE & COMPONENTS**



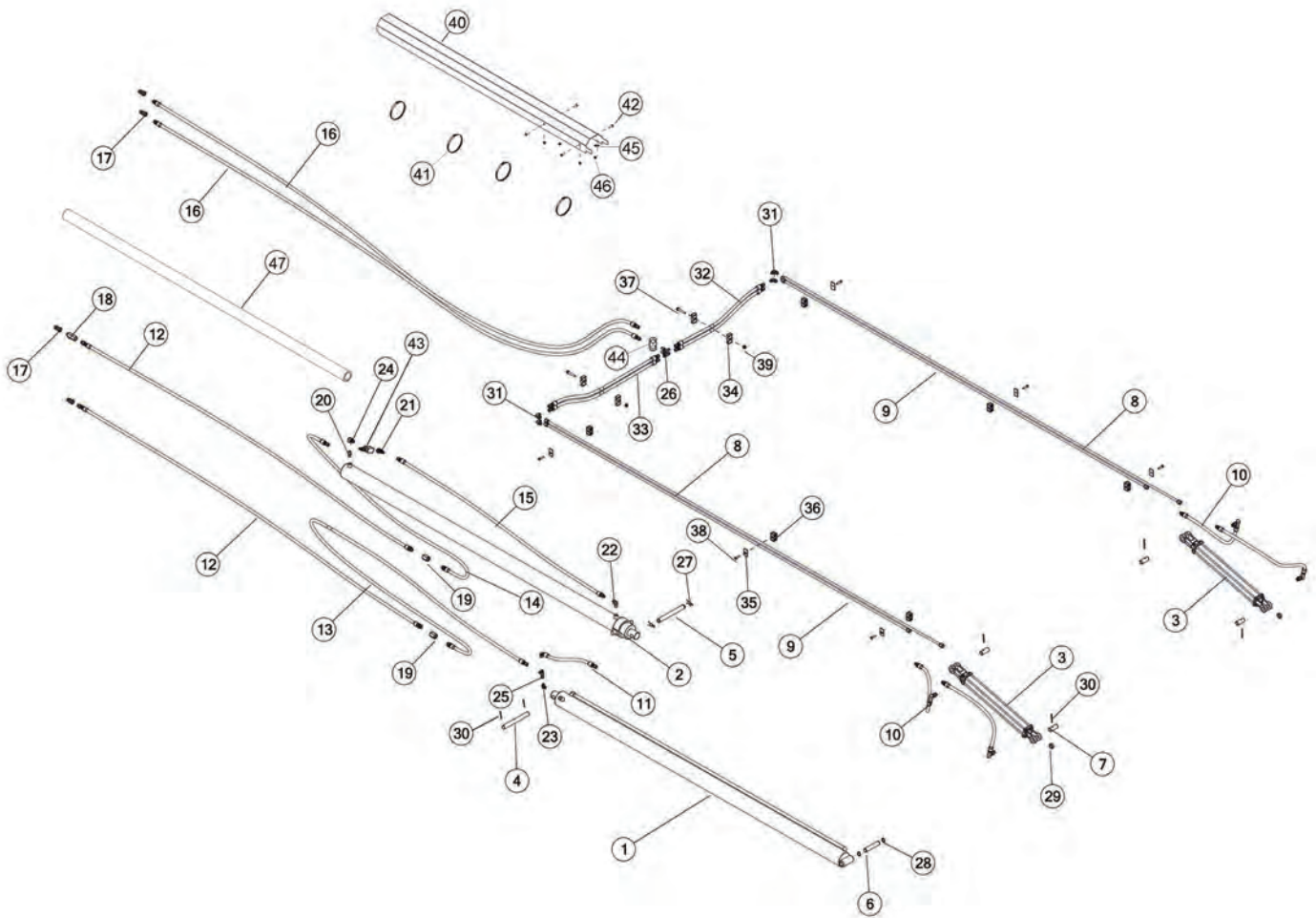


# FIGURE 7

## GEARBOX DRIVE & COMPONENTS

REF #	PART #	DESCRIPTION	QTY
1	89515	COMPLETE GEARBOX	1
2	12V99	BRG, 5.13 X 1.50 X 2.02, FLANGE	2
3	42N18	PILLOW BLOCK BEARING W/STRAIGHT, 1-1/2	1
4	60659	BEARING	3
5	87954	INPUT SHAFT	1
6	56783	CROSS SHAFT - FOR CLUTCH	1
7	42N16	INPUT PVC SHIELD	1
8	42N19	SHIELD, DRIVE SHAFT, PVC CENTER	1
9	96172	SHIELD, PVC CENTER REAR	1
10	96173	SHIELD, PVC REAR	1
11	42N23	CROSS SHAFT PVC SHIELD	1
12	89568	GEARBOX MOUNT	1
13	42N24	SPROCKET 50-B-20 1-1/2 BORE	2
14	42N25	SPROCKET 50-B-20 1-3/4 BORE	2
15	HGV124	CONNECTOR CHAIN #50 X 20	2
16	56N174	SQRE KEY, 3/8 X 2	4
17	S138	SQRE KEY, 3/8 X 2-3/8	1
18	YSKP12025	SET SCR, SOCKET, KNURLED CUP PT, 3/8-16 X 3/8	8
19	YPEX12025	EXPANSION PIN, 3/8 X 2-3/4	1
20	12V62	HEAVY DUTY EXTERNAL SNAP RING, 1-1/2	1
21	TS323	FITTING STRAIGHT, 1/4-28, 1/8-27NPT	3
22	58453	FITTING, 90, 1/8NPT, 1/8NPT	3
23	88827	FITTING STRAIGHT, 1/8NPT, 1/8NPT	2
24	66077	NIPPLE, 1/8 MALE PIPE X 2-1/2	2
25	G89	STRAIGHT ZERK, 1/2-28	5
26	YNJM04005	NUT JAM, 1/8 A	5
27	88909	GREASE HOSE, 3, 66	1
28	89728	GREASE HOSE, 3, 134	1
29	89725	GREASE HOSE, 3, 161	1
30	89723	GREASE HOSE, 3, 77	1
31	YBFB16125	BOLT FLANGE, 1/2 X 1-1/4 G5	12
32	YBFB16200	BOLT FLANGE, 1/2 X 2 G5	6
33	YBFB16175	BOLT FLANGE, 1/2 X 1-3/4 G5	10
34	YWLO16005	WASHER LOCK, 1/2	4
35	YNFG16003	NUT FLANGE, 1/2 GF	24
36	92711	GREASE HOSE, 3, 106	1

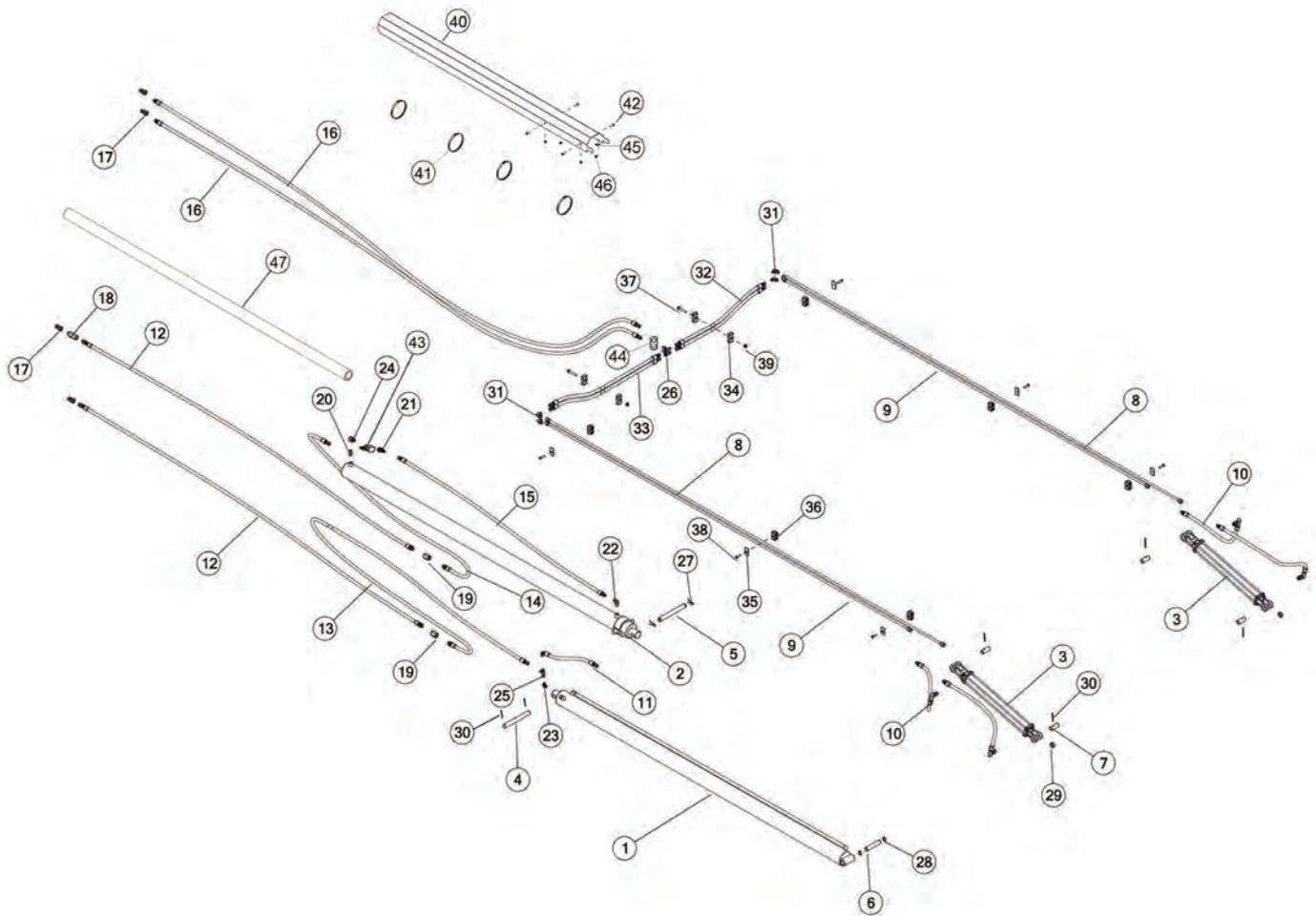






REF #	PART #	DESCRIPTION	QTY
1	42N70	HYDRAULIC CYLINDER, TRUNNION 3-1/2 X 90	1
2	42N69	HYDRAULIC CYLINDER, GIMBAL 3-1/2 X 90	1
3	90970	HYDRAULIC CYLINDER, 2 X 20	2
4	42N71	CYLINDER PIN	1
5	42N72	PUSHER CYLINDER PIN	1
6	42N80	REAR CYLINDER PIN	1
7	56N141	SHAFT, RND, 1.00 X 2.50, PIN, CYLINDER	4
8	90968	HYDRAULIC TUBE, 1/2 X 144	2
9	90969	HYDRAULIC TUBE, 1/2 X 132	2
10	90972	HYDRAULIC HOSE, 6, 36	4
11	89579	HYDRAULIC HOSE, 6, 20	1
12	89588	HYDRAULIC HOSE, 6, 126	2
13	89594	HYDRAULIC HOSE, 6, 164	1
14	89586	HYDRAULIC HOSE, 6, 88	1
15	89581	HYDRAULIC HOSE, 6, 77	1
16	89629	HYDRAULIC HOSE, 6, 182	2
17	67148	FTG, ST, 8ORB, QUICK COUPLER TIP	4
18	89576	HYDRAULIC VALVE, CHECK	1
19	90154	FITTING STRAIGHT, 10ORB, 10ORB	2
20	16SV351	FITTING STRAIGHT, 6NPT X 6NPT	1
21	89574	FITTING T, 6 JIC, 6 JIC, 8 ORB	1
22	CHM164	FITTING, 90, 6JIC X 3/8NPT	1
23	58151	FITTING 45, 3/8JIC, 3/8-18NPTF	1
24	55923	8 ORB TO 3/8 NPTF, 90 DEG	1
25	CHM242	FITTING, TEE, 6JIC X 6JIC X 6JIC	1
26	8005	FITTING TEE, 8JIC X 8JIC X 8JIC, BULKHEAD	2
27	YPHR02020	HAIR PIN, #23-10	2
28	3G21	SNAP RING, 1 HEAVY DUTY	2
29	K132	SPACER, 3/8 LONG	2
30	YPCT05025	COTTER PIN, 5/32 X 2	4
31	58187	FITTING, 8-6 ETX-S	4
32	89635	HYDRAULIC HOSE, 6, 32	2
33	89632	HYDRAULIC HOSE, 6, 45	2
34	86567	DOUBLE CLAMP, UNIVERSAL	4
35	56563	CLAMP TOP PLATE	6
36	TS118	LINE CLAMP BLOCK ( PART OF T2008S)	6
37	YBFB12250	BOLT FLANGE, 3/8 X 2-1/2 G5	2
38	56568	CLAMP BOLT, 5/16-18 x 1-3/8	6
39	YNFG12006	NUT FLANGE, 3/8 GF	2



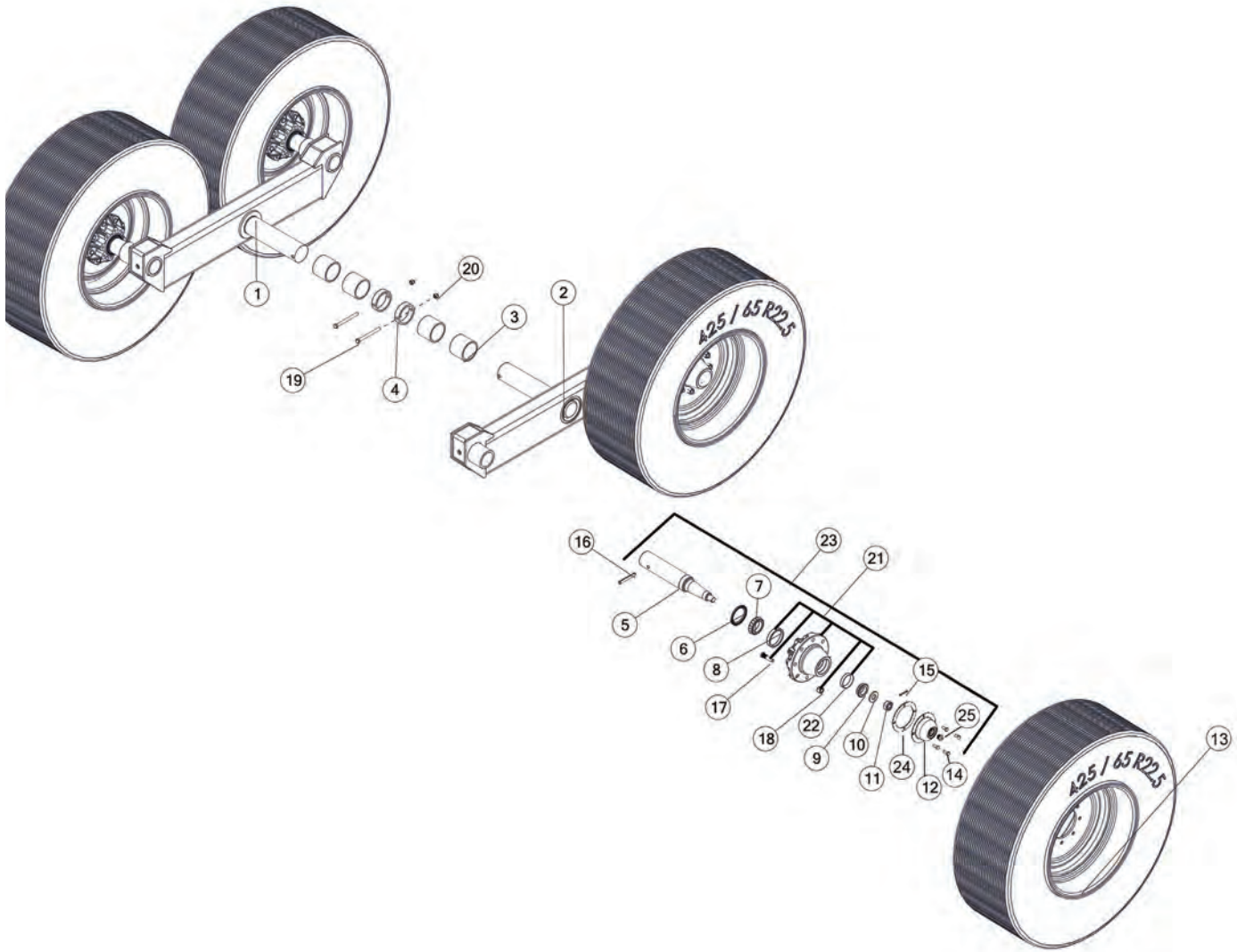






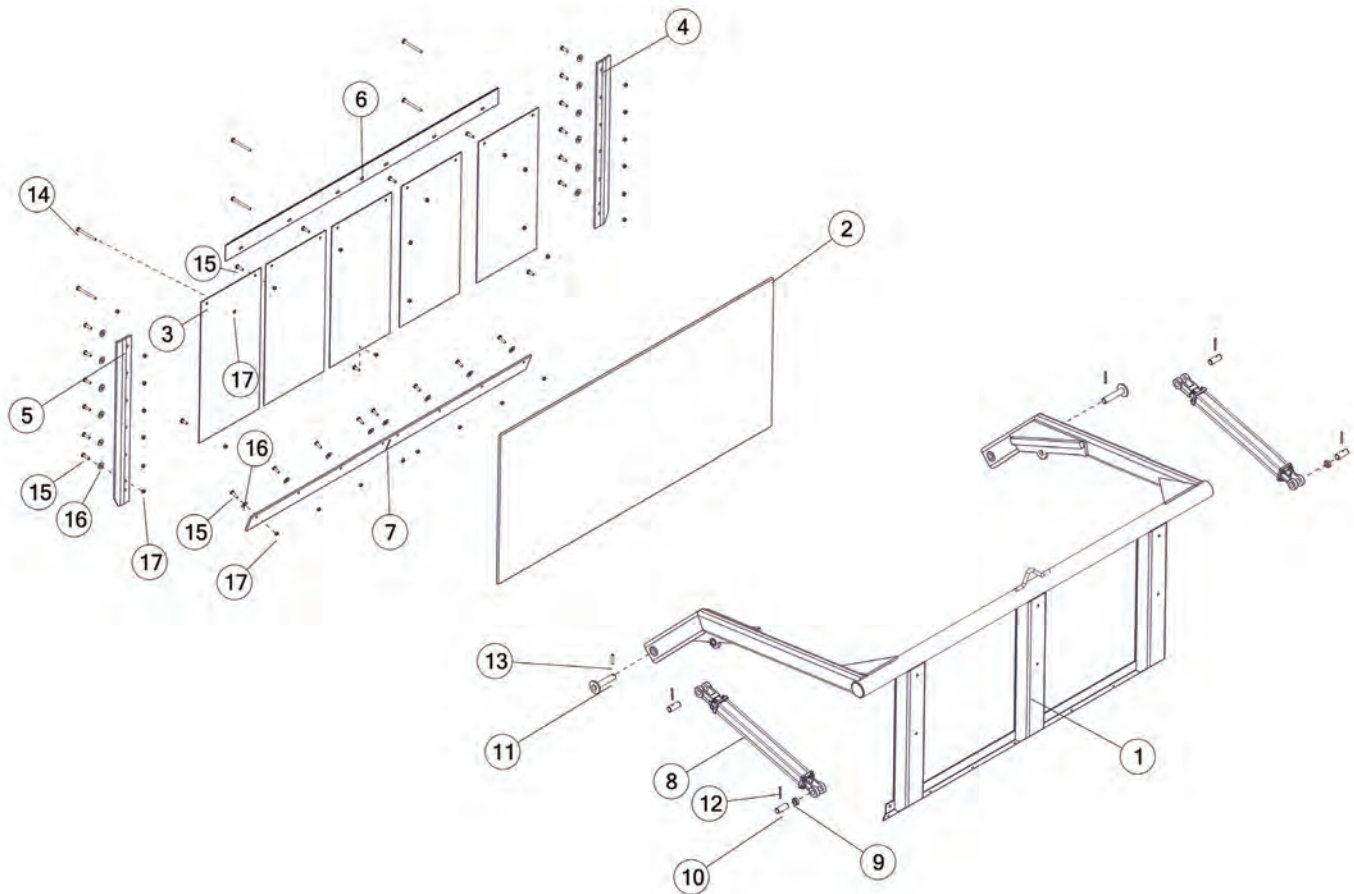


**FIGURE 9**  
**TANDEM AXLE AND WHEEL COMPONENTS**



REF #	PART #	DESCRIPTION	QTY
1	42N7	TANDEM AXLE RH	1
2	42N6	TANDEM AXLE LH	1
3	45N36	POLY BUSHING	4
4	45N35	AXLE KEEPER	2
5	93106	SPINDLE	4
6	93107	GREASE SEAL	4
7	54597	BEARING CONE	4
8	54593	INNER RACE	4
9	17G150	TAPERED ROLLER BEARING, 1.625 BORE	4
10	33SV95	SPINDLE WASHER	4
11	YNSL32005	NUT SLOT, 1-14 NA G2 NF	4
12	93110	HUB CAP	4
13	TWP425S	(4) 425 X 22.5 USED TRUCK TIRES W/SLVR 8 B RIMS	1
*	90192	ASSEMBLY, TIRE AND WHEEL	4
*	90185	WHEEL, 22.5 X 13.5 8 BOLT SILVER	4
*	16SV88	TIRE, 425 X 22.5	4
*	72438	VALVE STEM, 1-1/2	4
13	TWP19LS	(4) 19L X 16.1 10 PLY TIRES W/SILVER 8 BOLT RIMS	1
*	90193	ASSEMBLY, TIRE AND WHEEL	4
*	90186	WHEEL, W16C-16.1 8 BOLT SILVER	4
*	UR8	19L X 16.1 TIRE	4
*	72437	VALVE STEM, 1.25IN HD	4
13	TWP5508S	(4) 550/45 X 22.5 TIRES W/SILVER 8 BOLT RIMS	1
*	90197	ASSEMBLY, TIRE AND WHEEL, RH	2
*	90187	WHEEL, 22.5 X 16.00 8 BOLT SILVER	2
*	33381	TIRE, 550/45 - 22.5 16PLY FLOATATION	2
*	72437	VALVE STEM, 1.25IN HD	2
*	90198	ASSEMBLY, TIRE AND WHEEL, LH	2
14	YBHH08063	BOLT HEX, 1/4 X 5/8 G5	4
15	YPCT07175	COTTER PIN, 7/32 X 1-3/4	4
16	YPEX16020	EXPANSION PIN, 1/2 X 4	4
17	YBSD20010	BOLT STUD, 5/8 X 2-1/2 G8	32
18	YNWL20005	NUT WHEEL, 5/8-18 NA G5 ZC	32
19	YBHH16160	BOLT HEX, 1/2-13 X 5-1/2 G5	2
20	YNNY16005	NUT HEX, 1/2-13 LKNY G2 ZC	2
21	93103	HUB	4
22	17G149	RACE	4
23	93112	HUB AND SPINDLE ASSEMBLY	4
24	93109	GASKET	1
25	93111	OIL PLUG	1



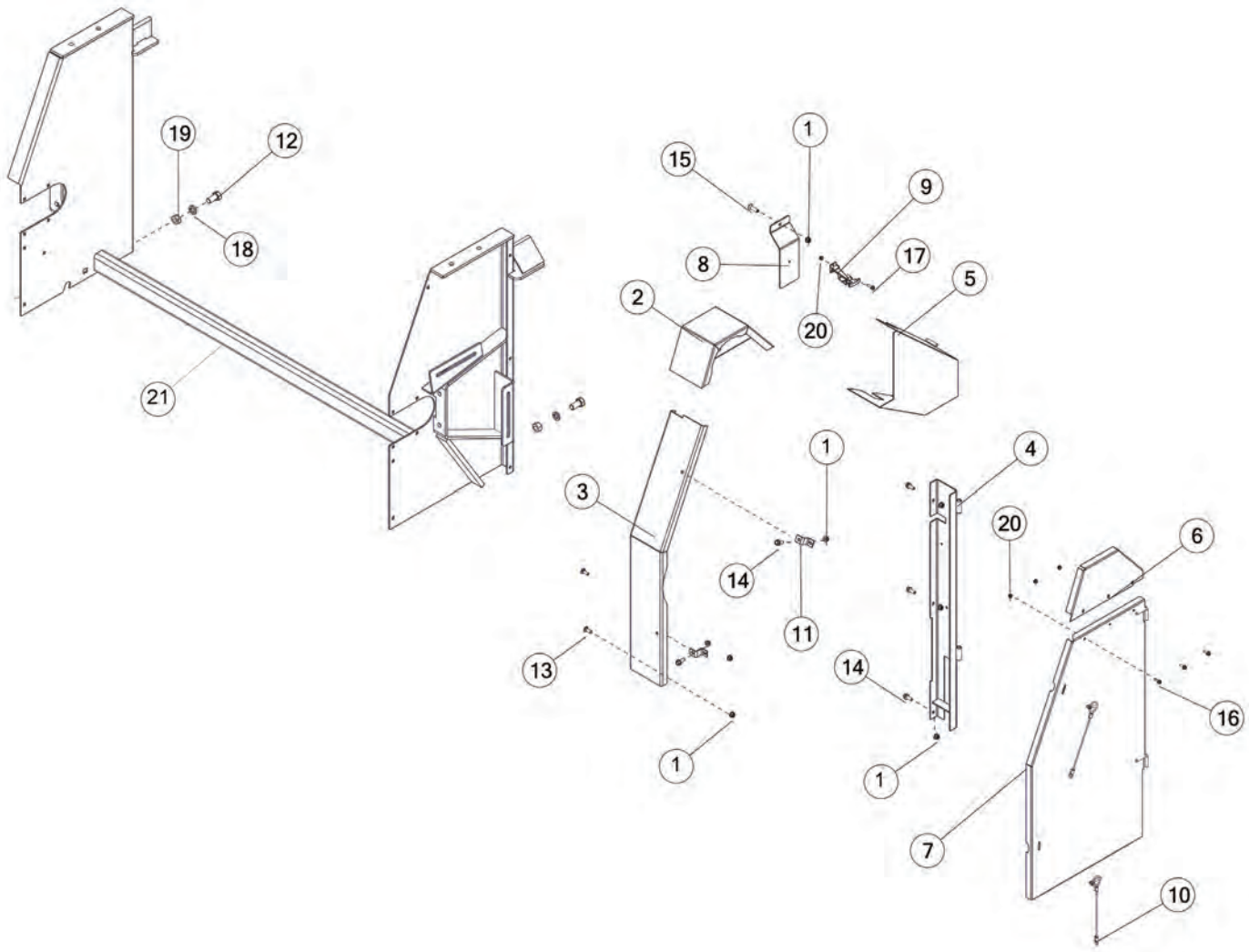






# FIGURE 11

## BEATER PANELS & COMPONENTS





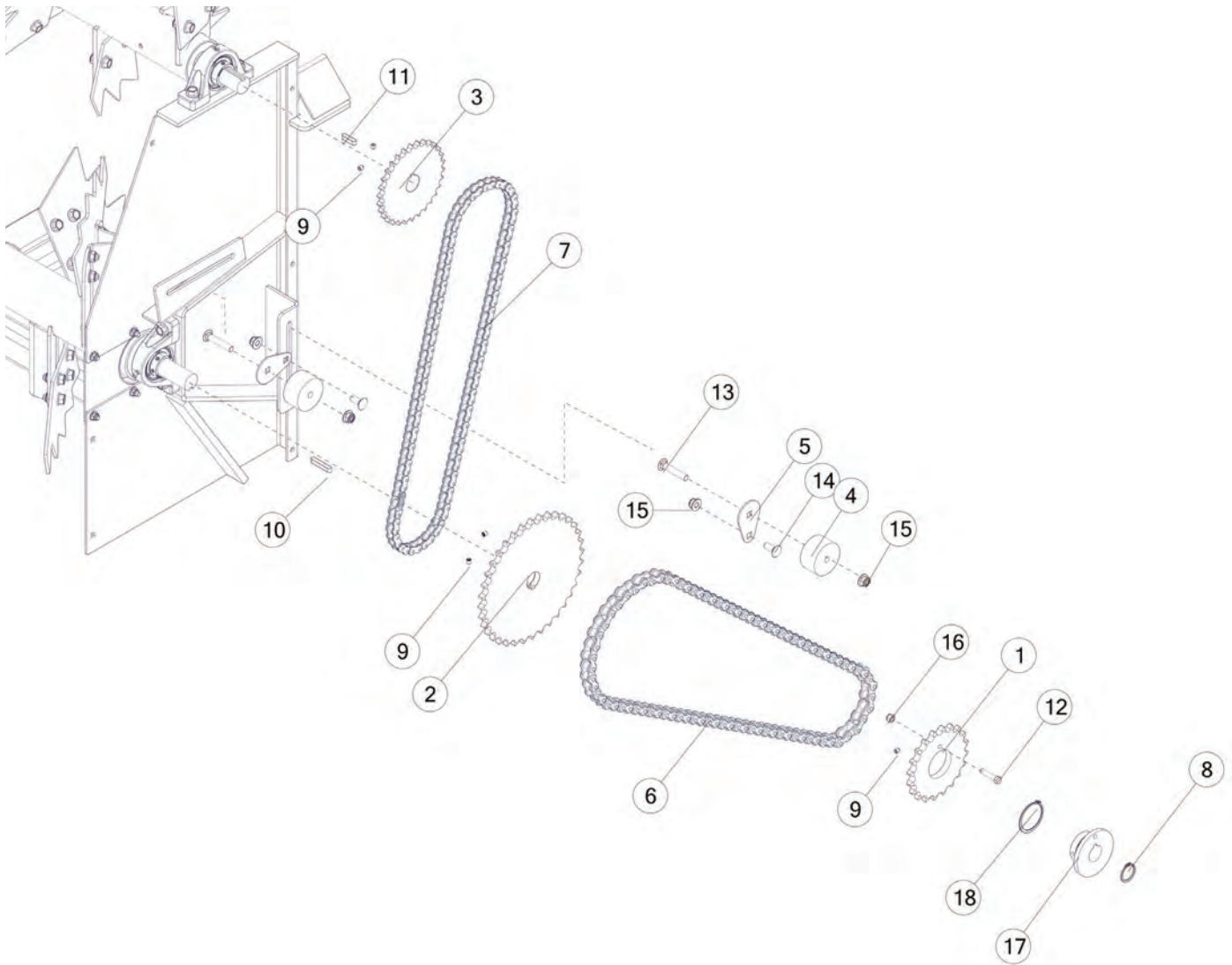








# FIGURE 13 BEATER SPROCKETS & COMPONENTS

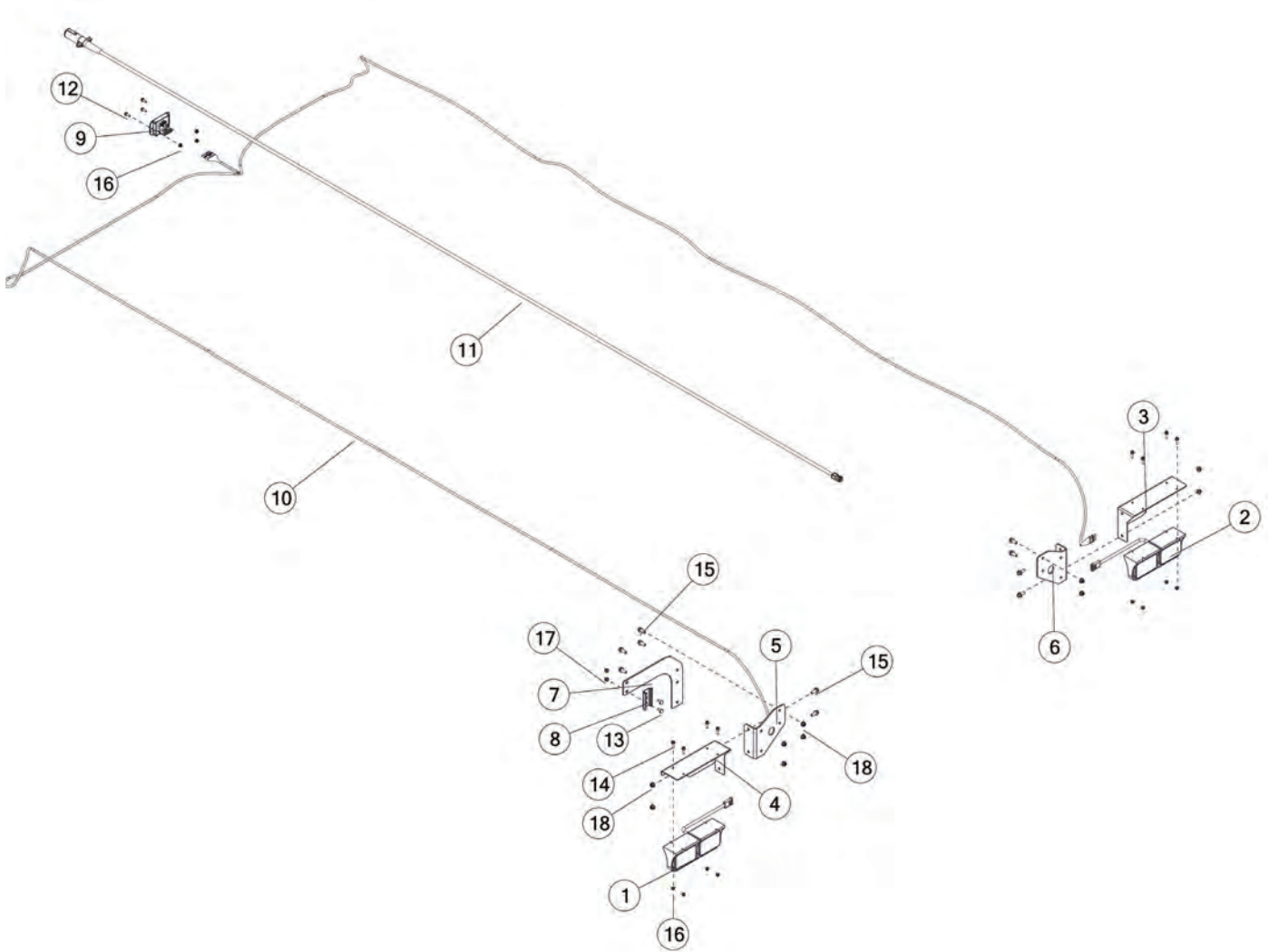






# FIGURE 14

## LIGHTS







## FIGURE 14 LIGHTS

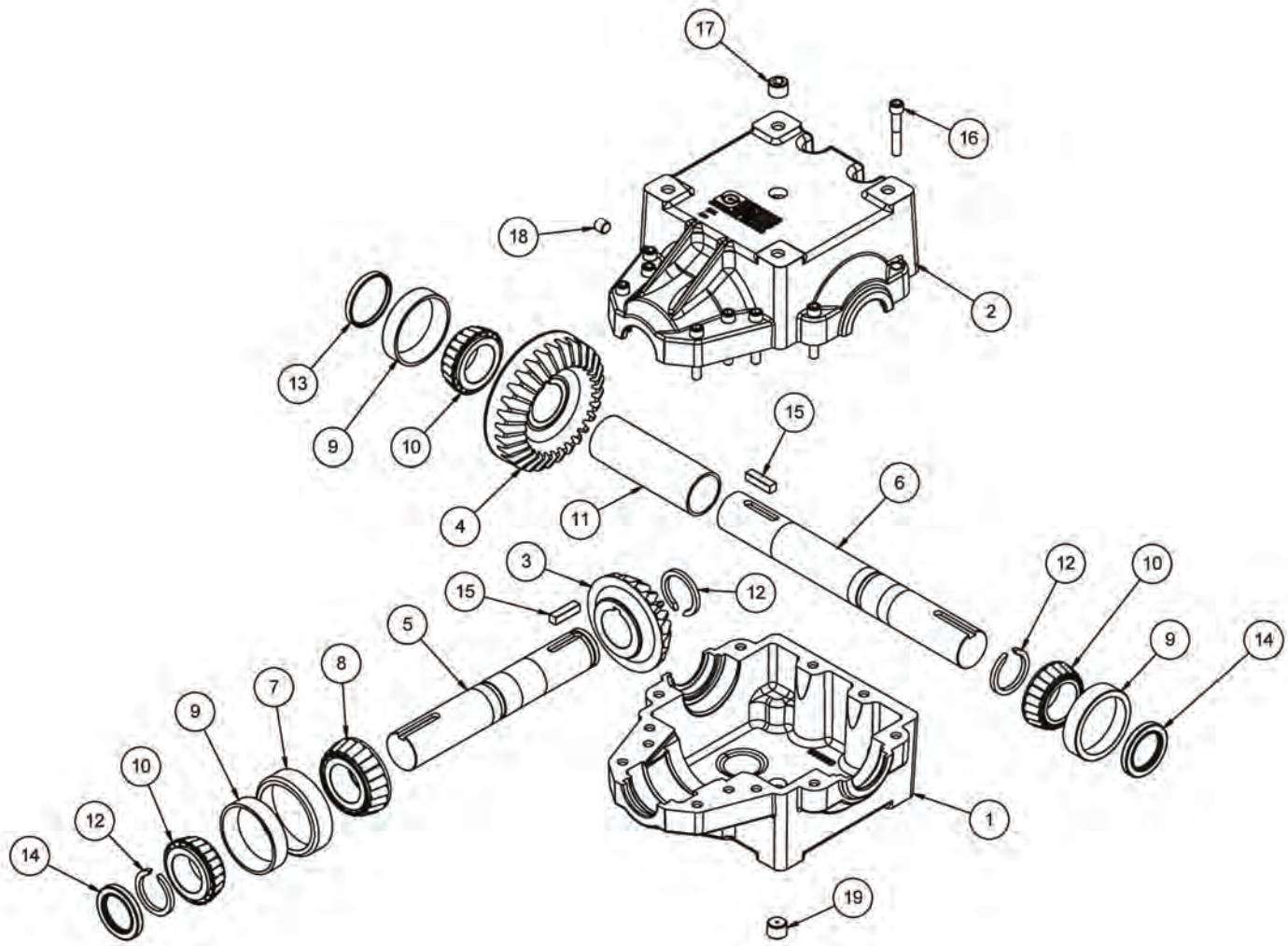
REF #	PART #	DESCRIPTION	QTY
1	TFM71	TAIL LIGHT, LH	
2	TFM72	LED TAIL LIGHT ASSY, RH	
3	90915B	LIGHT BRACKET, RH W/DECALS	
4	90914B	LIGHT BRACKET, LH W/DECALS	
5	90917	LIGHT BRACKET MOUNT, LH	
6	90918	LIGHT BRACKET MOUNT, RH	
7	42N43	SMV BRACKET	
8	F97	SMV HOLDER	
9	69908	MODULE, CONTROL, BLINKER	
10	90927	ELECTRICAL HARNESS, TAILLIGHTS	
11	94018	WIRE HARNESS	
12	YBFB08075	BOLT FLANGE, 1/4 X 3/4 G5	
13	YBCR10030	BOLT CARRIAGE, 5/16-18 X 3/4 G5 ZC	
14	YBFB08100	BOLT FLANGE, 1/4 X 1 G5	
15	YBFB12003	BOLT FLANGE, 3/8 X 1 G5	
16	YNFG08010	NUT FLANGE, 1/4 GF	
17	YNFG10005	NUT FLANGE, 5/16 GF	
18	YNFG12006	NUT FLANGE, 3/8 GF	





# FIGURE 15

## GEARBOX





# FIGURE 15

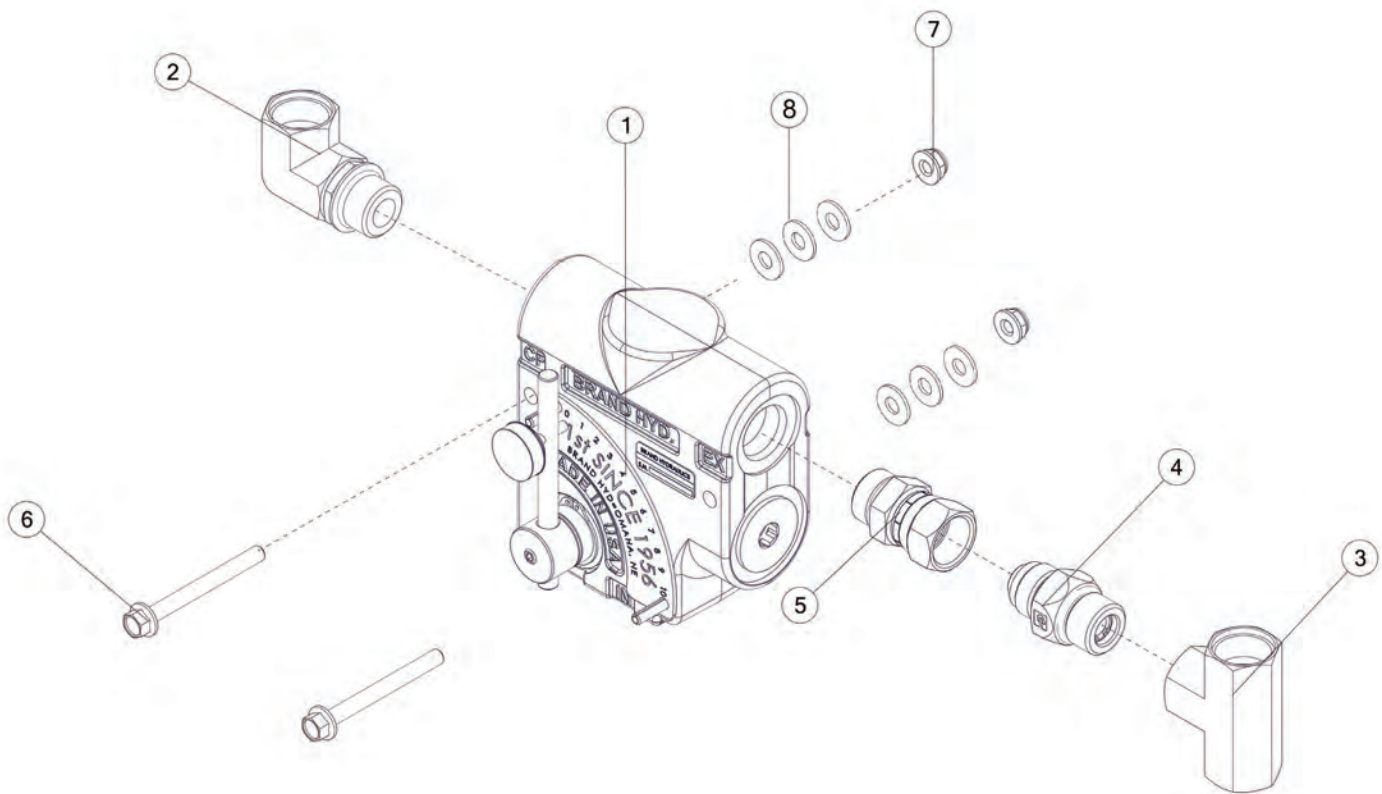
## GEARBOX

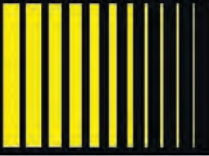
REF #	PART #	DESCRIPTION	QTY
1	HGV88	BOTTOM HOUSING	1
2	88365	HOUSING	1
3	88366	GEAR	1
4	88367	GEAR	1
5	90894	STUB SHAFT	1
6	88369	SHAFT	1
7	HGV112	BEARING CUP	1
8	HGV97	BEARING CONE	1
9	HGV92	BEARING CUP	3
10	HGV91	BEARING CONE	3
11	88370	SPACER	1
12	HGV98	RETAINING RING	3
13	HGV99	CAP	1
14	HGV93	OUTPUT SEAL	2
15	A32	SQUARE KEY W/ROUND ENDS, 3/8 X 1-3/8	2
16	YSHS12012	SCREW SOCKET HEAD CAP, 3/8 X 2-1/4 G8	12
17	HGV95	PLUG, 1/2 NPT	1
18	88371	LEVEL PLUG	1
19	88372	VENT PLUG	1





**FIGURE 16**  
OPTIONAL FLOW CONTROL (HPOVSC)



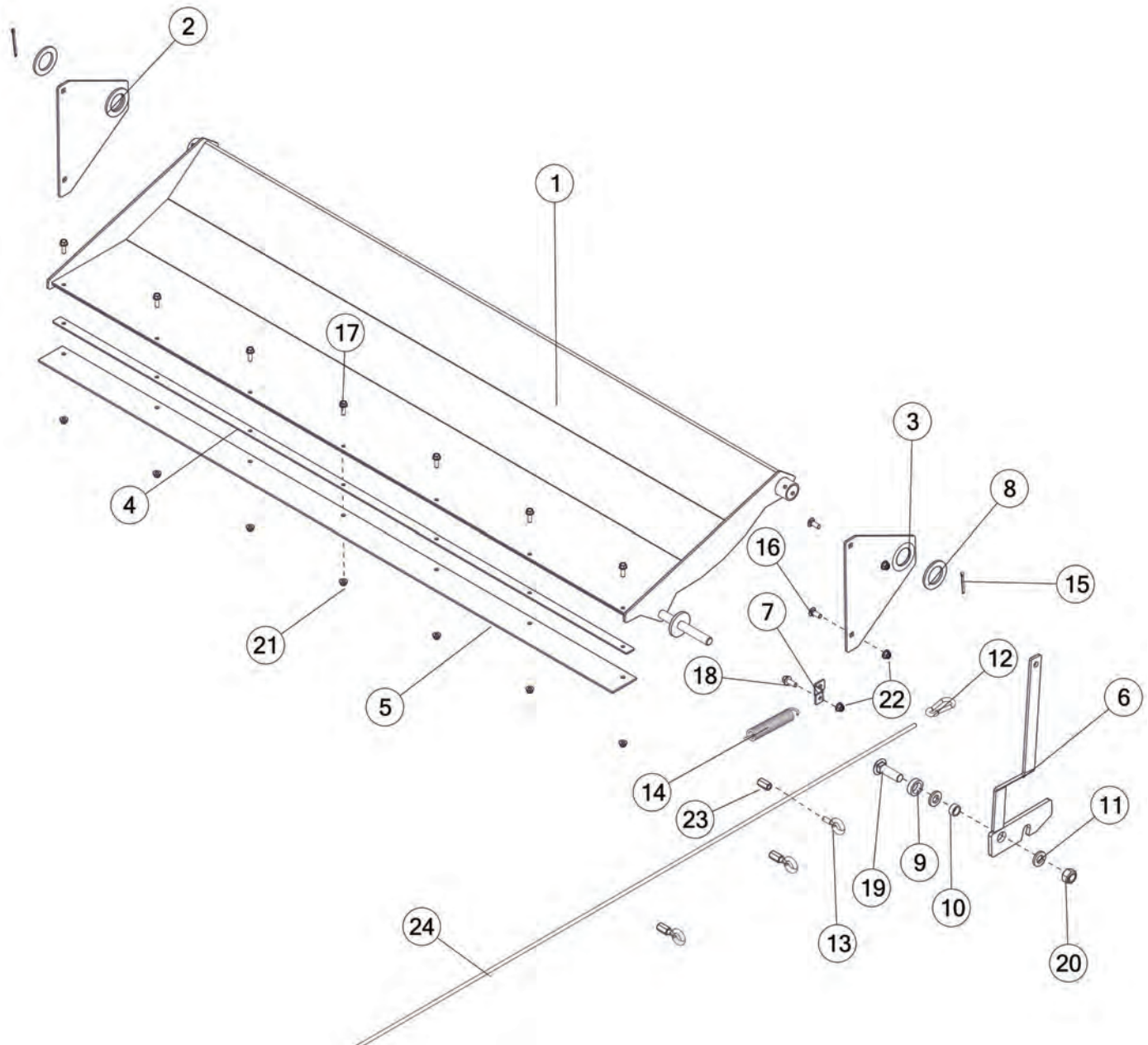


# FIGURE 16

## OPTIONAL FLOW CONTROL (HPOVSC)

REF #	PART #	DESCRIPTION	QTY
1	89583	FLOW CONTROL	1
2	90157	FITTING 90, 10ORB, 10ORB	1
3	91707	FITTING T, 10ORB, 10ORB, 10ORB	1
4	91722	FITTING STRAIGHT, 10JIC, 10ORB, CHECK	1
5	84907	FITTING STRAIGHT, 5/8JIC, 10ORB	2
6	YBFB08300	BOLT FLANGE, 1/4 X 3 G5	2
7	YNFG08010	NUT FLANGE, 1/4	2
8	YWFL08005	WASHER FLAT, 1/4	6







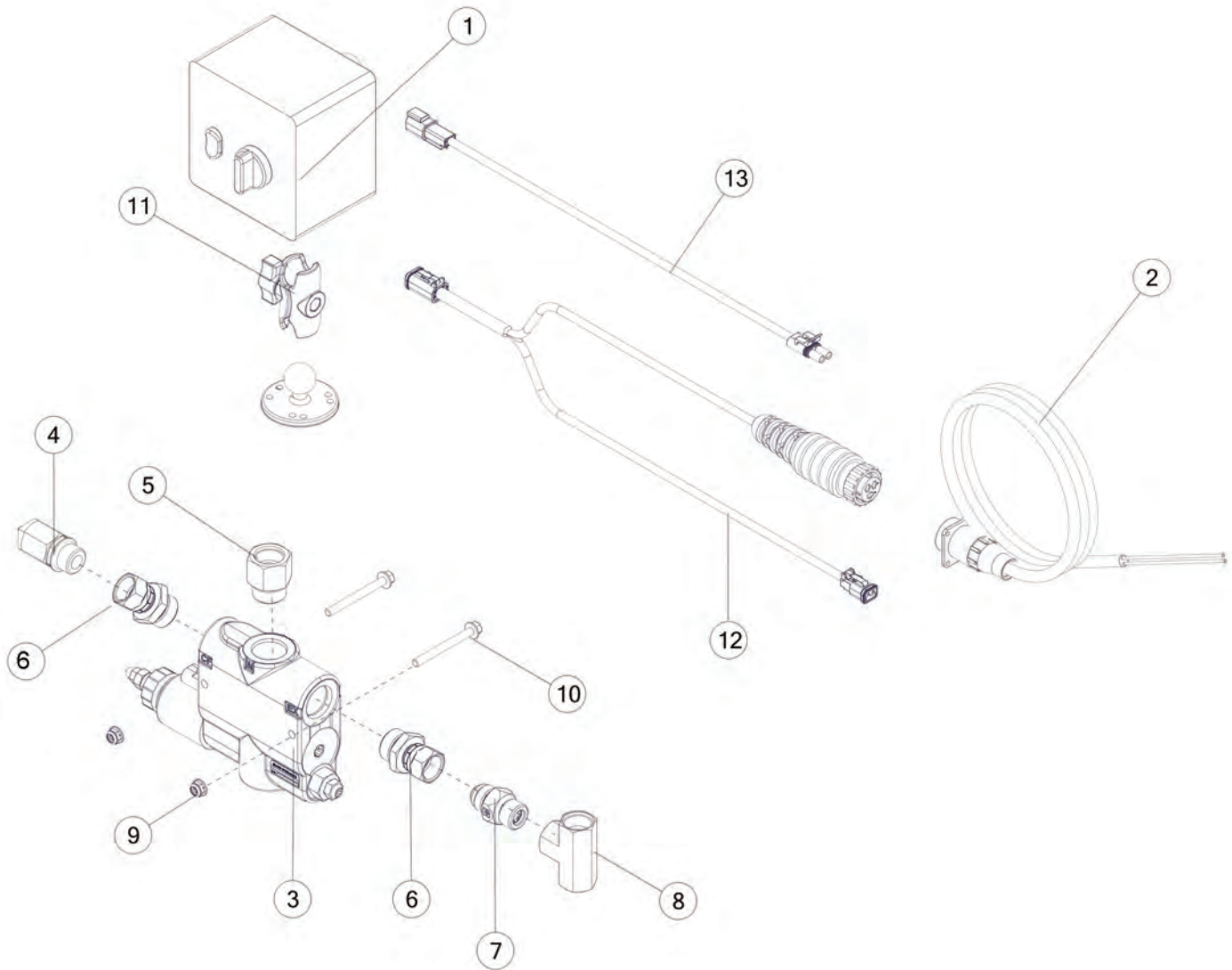


# FIGURE 17

## OPTIONAL PAN & COMPONENTS (MSHPOPAN)

REF #	PART #	DESCRIPTION	QTY
1	42N127	PAN	1
2	42N129	PAN BRACKET, RH	1
3	42N128	PAN BRACKET, LH	1
4	42N130	RUBBER STRAP	1
5	42N131	RUBBER	1
6	42N133	LATCH	1
7	F69	SHIELD BRACKET	1
8	56N170	PAN WASHER	2
9	42N134	LATCH SPACER	1
10	42N132	LATCH BUSHING	1
11	T73	WASHER FLAT, 3/4	2
12	YMSN10005	SNAP HOOK, 5/16	1
13	YBTE12005	BOLT TURNED EYE, 3/8-16X1 144ZC	3
14	ST36	TENSION SPRING	1
15	YPCT06020	COTTER PIN, 3/16 X 2	2
16	YBCR12010	BOLT CARRIAGE, 3/8-16 X 1 G5 ZC	2
17	YBFB10001	BOLT FLANGE, 5/16 X 1 G5	7
18	YBFB12003	BOLT FLANGE, 3/8 X 1 G5	1
19	YBCR24003	BOLT CARRIAGE, 3/4-10 X 2-1/2 G5 ZC	1
20	YNTL24005	NUT HEX, 3/4-10 LKTL C ZC	1
21	YNFG10005	NUT FLANGE, 5/16 GF	7
22	YNFG12006	NUT FLANGE, 3/8 GF	2
23	YNCO12005	NUT HEX, COUPLING, 3/8-16 X 1-1/8 NA A ZC	3
24	42N136	ROPE, 5/16 X 216	1

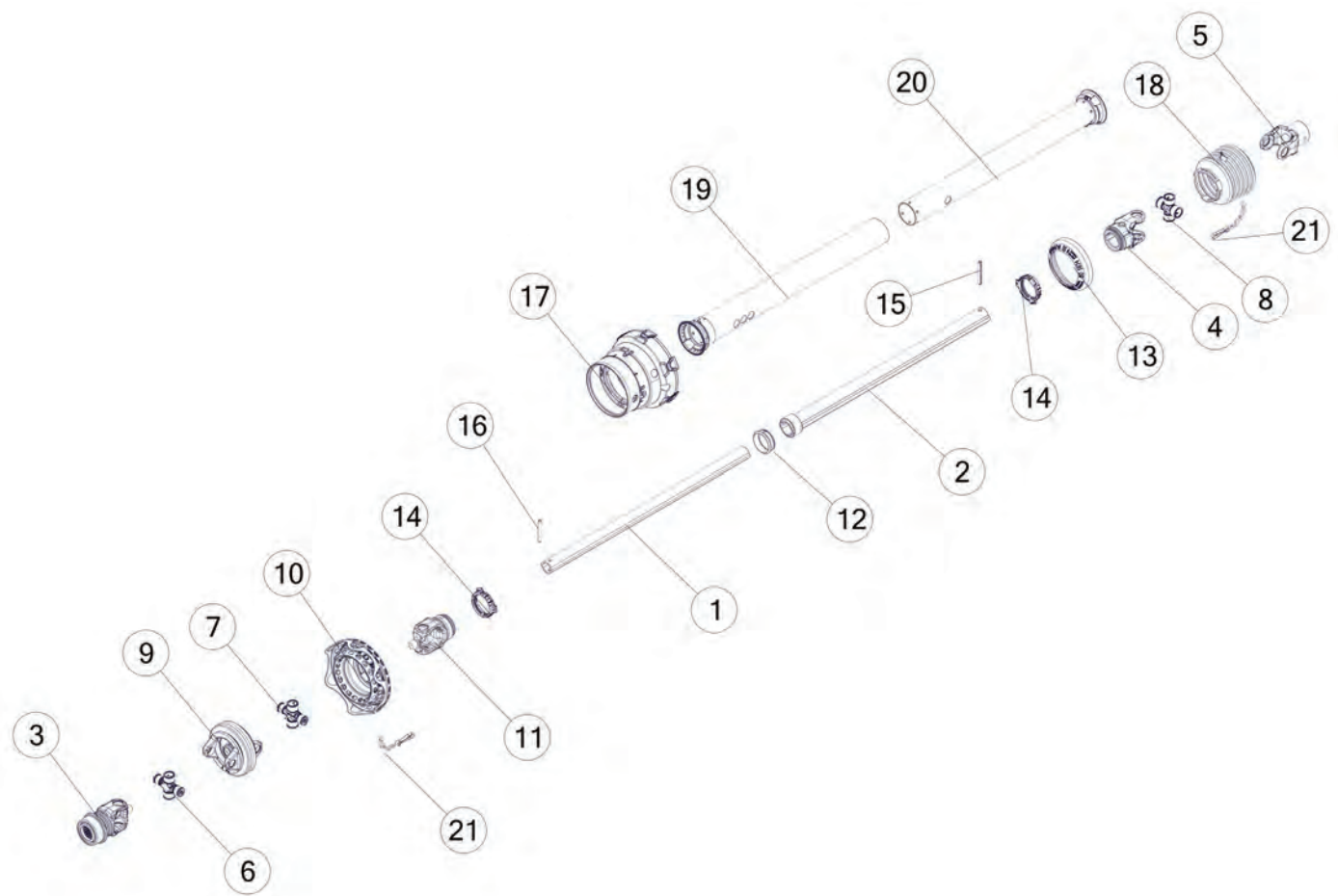








**FIGURE 19**  
HPO1034CV PTO





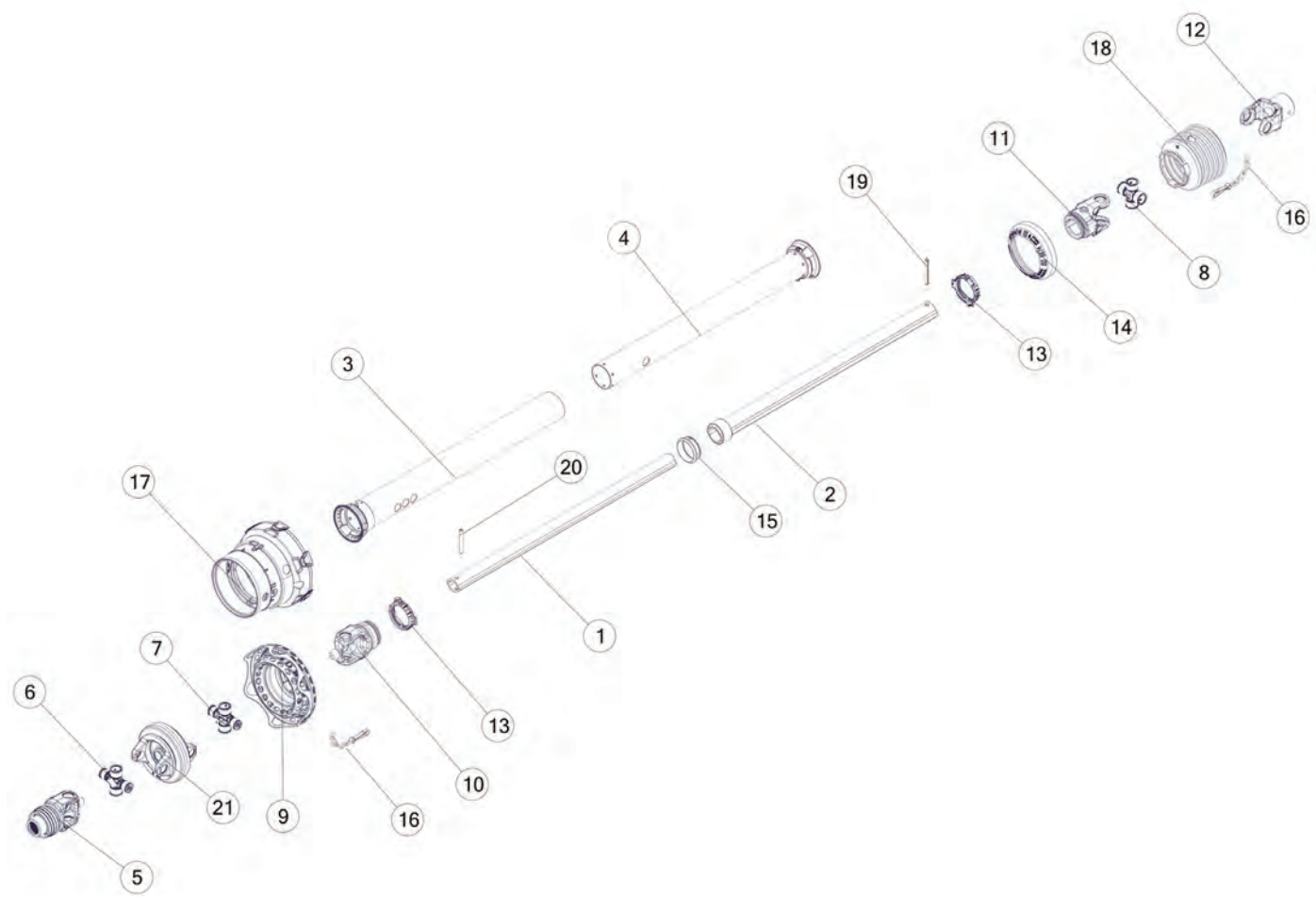
**FIGURE 19**  
HPO1034CV PTO

REF #	PART #	DESCRIPTION	QTY
1	89772	INNER SHAFT	1
2	89790	OUTER SHAFT	1
3	89799	YOKE	1
4	89787	YOKE	1
5	89789	YOKE	1
6	89768	CROSS AND BEARING KIT	1
7	89770	CROSS AND BEARING KIT	1
8	89786	CROSS AND BEARING KIT	1
9	89769	DOUBLE YOKE	1
10	89776	NET GUARD	1
11	89771	INBOARD YOKE	1
12	89793	SUPPORT BEARING	1
13	89792	REINFORCING COLLAR	1
14	87919	BEARING RING	2
15	87920	SPRING PIN	1
16	89773	SPRING PIN	1
17	89784	CV GUARD	1
18	87926	GUARD CONE	1
19	89774	OUTER GUARD TUBE	1
20	89791	GUARD TUBE INNER	1
21	87916	RESTRAINT CHAIN	2
*	89800	COMPLETE PTO	1





**FIGURE 20**  
HPO1038CV PTO





REF #	PART #	DESCRIPTION	QTY
1	89772	INNER SHAFT	1
2	89790	OUTER SHAFT	1
3	89774	OUTER GUARD TUBE	1
4	89791	GUARD TUBE INNER	1
5	89767	YOKE ASSEMBLY	1
6	89768	CROSS AND BEARING KIT	1
7	89770	CROSS AND BEARING KIT	1
8	89786	CROSS AND BEARING KIT	1
9	89776	NET GUARD	1
10	89771	INBOARD YOKE	1
11	89787	YOKE	1
12	89789	YOKE	1
13	87919	BEARING RING	2
14	89792	REINFORCING COLLAR	1
15	89793	SUPPORT BEARING	1
16	87916	RESTRAINT CHAIN	2
17	89784	CV GUARD	1
18	87926	GUARD CONE	1
19	87920	SPRING PIN	1
20	89773	SPRING PIN	1
21	89769	DOUBLE YOKE	1
*	89794	COMPLETE PTO	1







H&S MFG. CO.  
products approved  
for the  
FEMA  
SEAL OF QUALITY



Manufactured by:  
H&S MANUFACTURING CO., INC.  
2608 S. HUME AVE. MARSHFIELD, WI 54449  
(715) 387-3414 | hsmfgco.com

