



# HPH4255

## MANURE SPREADER

### PARTS BOOK

Part # 88979

HSMFG032323

Rev. #03

Starting Ser. #322HP55002

**STRONG HERITAGE - STRONG PEOPLE - STRONGER FUTURE**





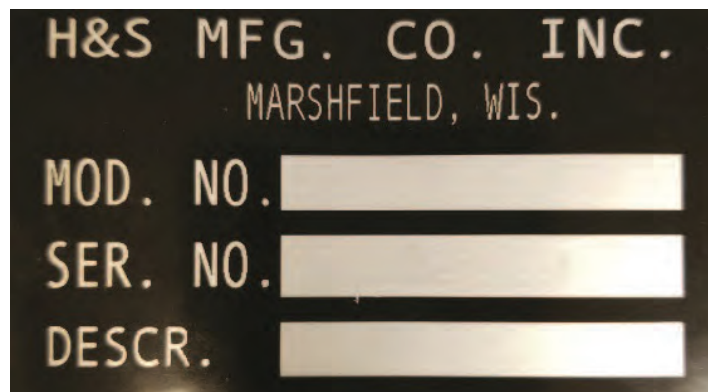
# INSTRUCTIONS FOR ORDERING PARTS

All service parts should be ordered through your authorized H&S dealer. Your Dealership will be able to give you faster service if you will provide them with the following:

1. All references to left or right apply to the machine as viewed from the rear.
2. Parts should not be ordered from illustration only. Please order complete part number.
3. If your dealer has to order parts - give shipping instructions:

VIA truck - large pieces (please specify local truck lines)

VIA United Parcel Service (include full address)



MODEL & SERIAL NUMBER LOCATED ON  
FRONT, LEFT SIDE OF PTO BEARING SUPPORT MOUNT

PLEASE RECORD NUMBERS FOR YOUR UNIT FOR QUICK REFERENCE

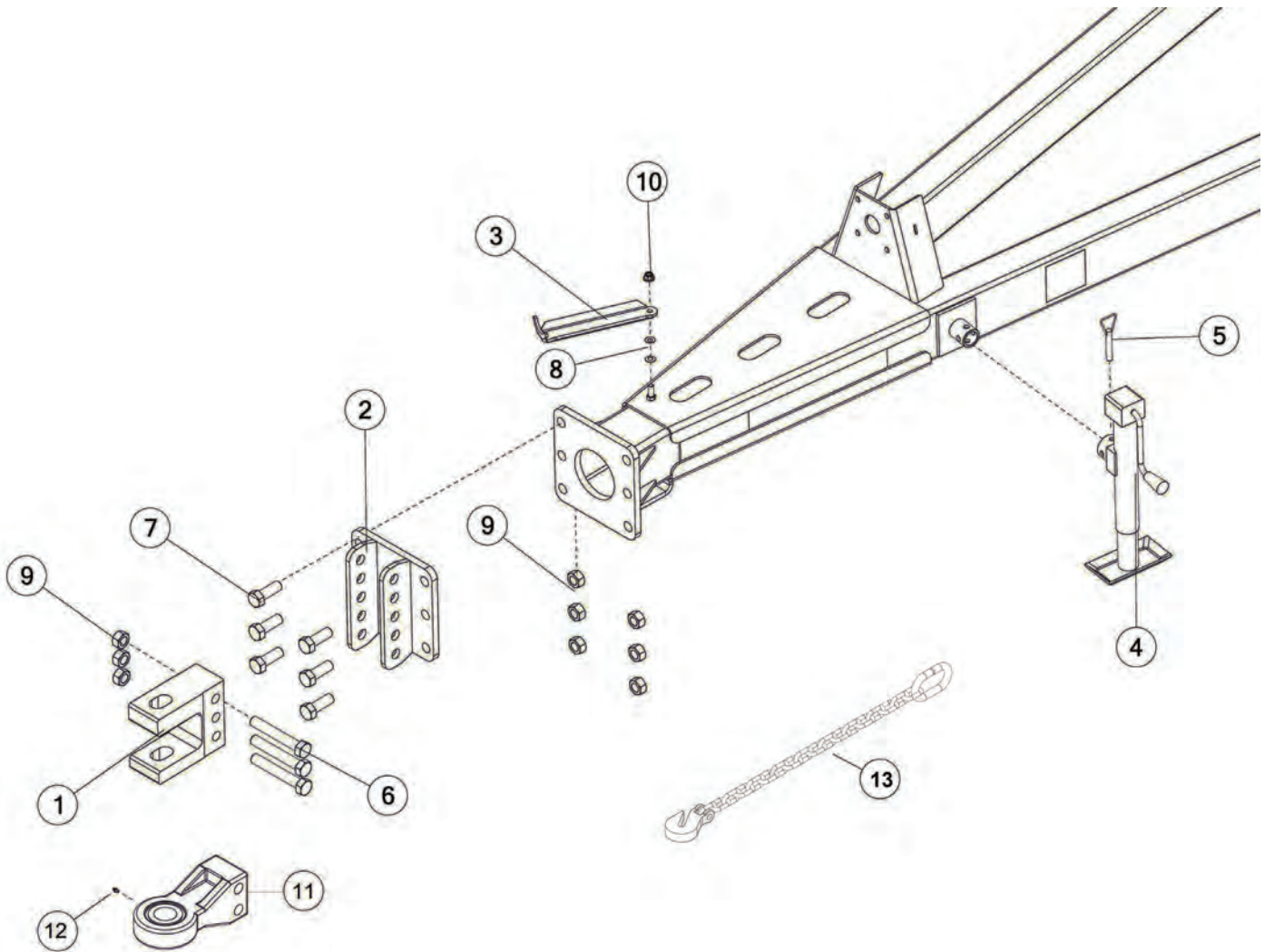
H&S IS CONTINUALLY STRIVING TO IMPROVE ITS PRODUCTS

We must, therefore, reserve the right to make improvements or changes whenever it becomes practical to do so, without incurring any obligation to make changes or additions to the equipment previously sold.





# FIGURE 1 HITCH & COMPONENTS





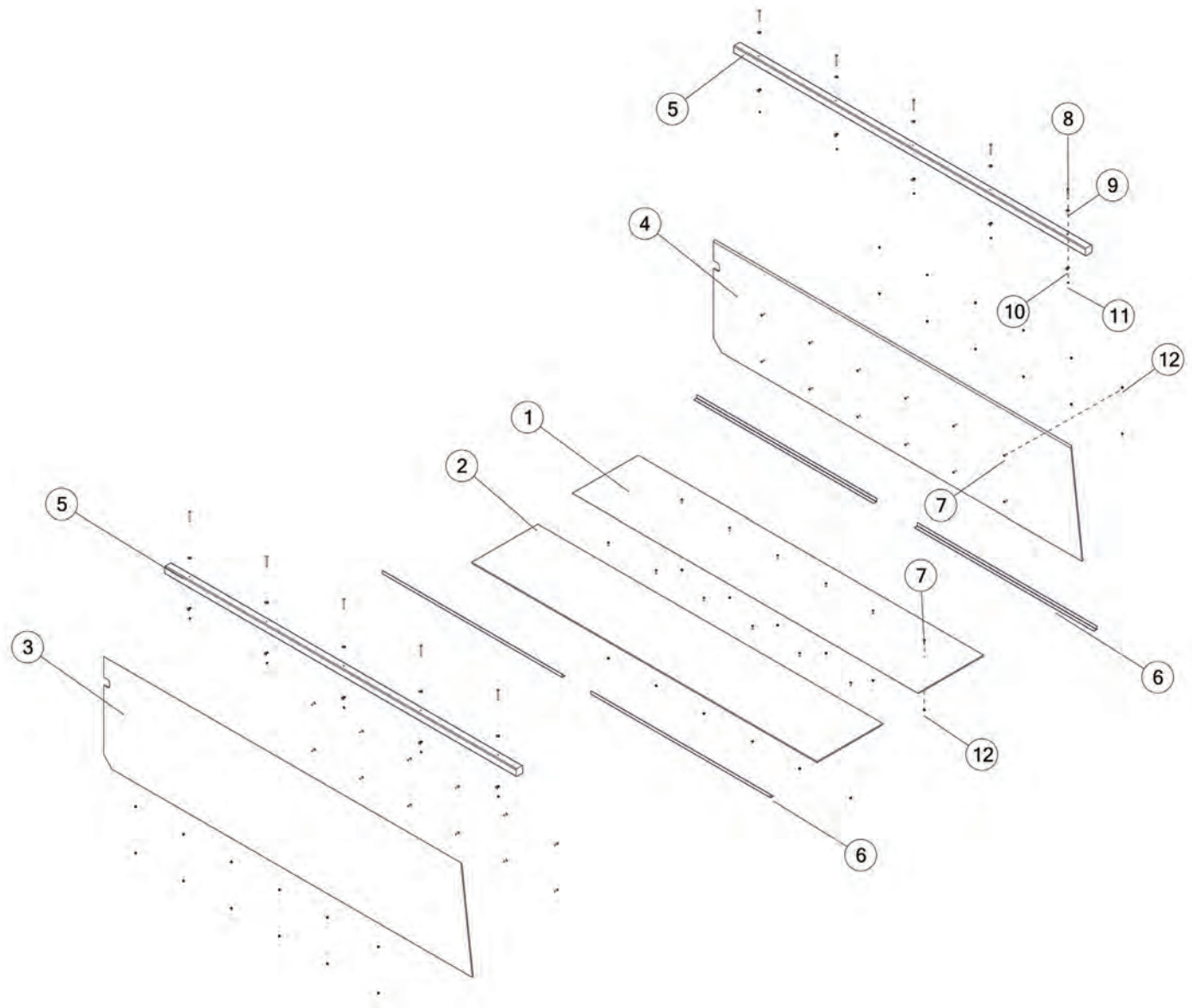
# FIGURE 1 HITCH & COMPONENTS

REF #	PART #	DESCRIPTION	QTY
1	56310	HEAVY CLEVIS OPTION	1
2	89538	HITCH MOUNT	1
3	42N2	PTO HOLDER	1
4	TS306	SIDE WIND JACK, 7000#	1
5	12N117	PIN, 0.56, 5.19, JACK	1
6	YBHH32028	BOLT HEX, 1-8 X 6-1/2 G8 ZY	3
7	YBHH32006	BOLT HEX, 1-8 X 2-3/4 G5	6
8	42N3	SPRING	2
9	YNLT32005	NUT HEX, 1-8 LKTL C ZC	9
10	YNFG16003	NUT FLANGE, 1/2 GF	1
11	58290	ARTICULATING HITCH OPTION	1
12	G89	STRAIGHT ZERK, 1/4	1
13	SC40500	SAFETY CHAIN, 40,500 LB RATING, OPTIONAL	1





# FIGURE 2 FLOOR & SIDE COMPONENTS





## FIGURE 2

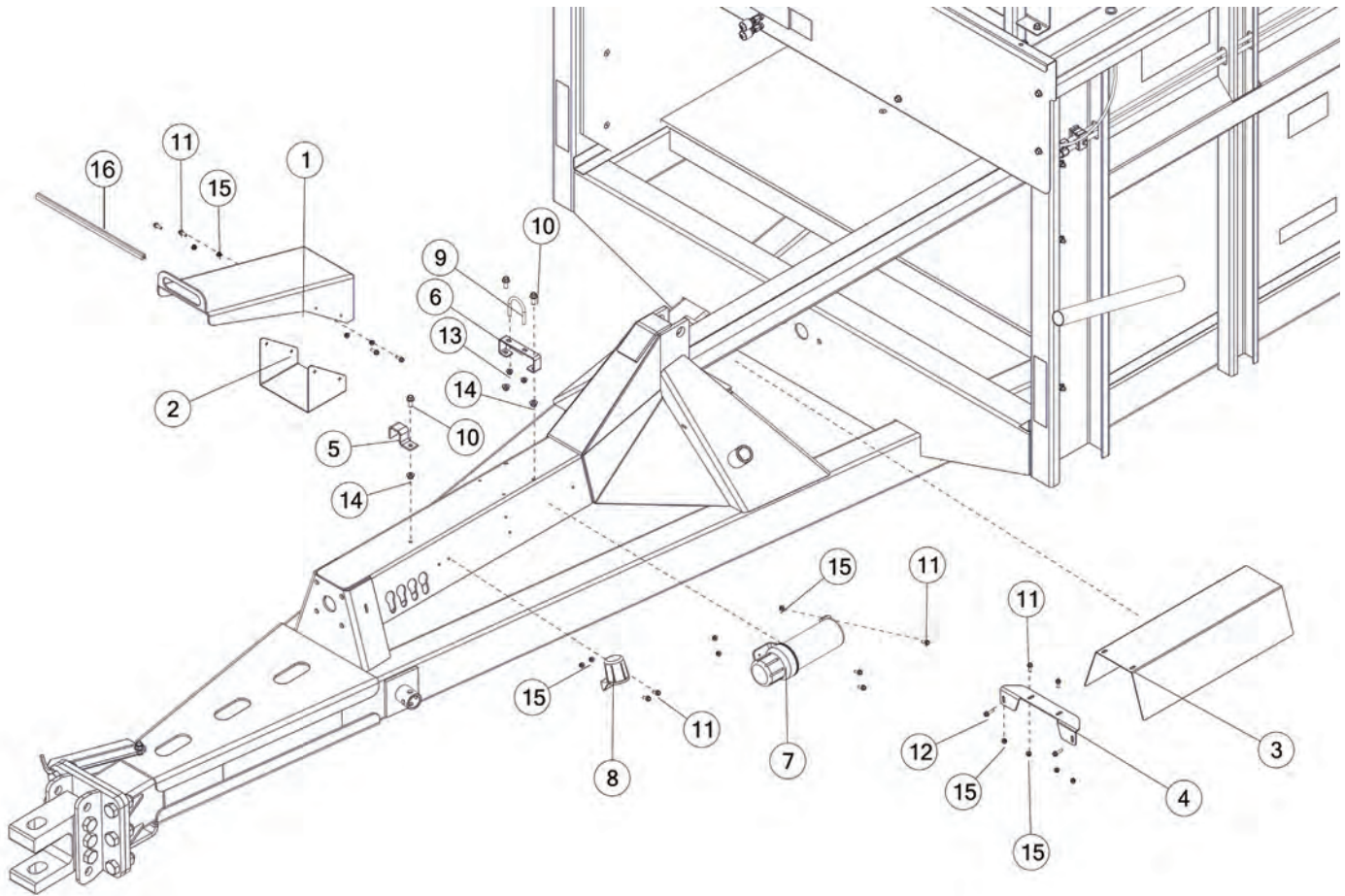
### FLOOR & SIDE COMPONENTS

REF #	PART #	DESCRIPTION	QTY
1	42N10	FLOOR POLY RH	1
2	42N11	FLOOR POLY LH	1
3	55N5B	SIDE POLY LH W/DECALS	1
4	55N4B	SIDE POLY RH W/DECALS	1
5	90592	POLY TOP RAIL	2
6	89814	POLY SIDE ANGLE	4
7	YSFS12016	BOLT FLAT SOK, 3/8-16 X 1-1/2 ZC	50
8	YBCR12105	BOLT CARRIAGE, FT, 3/8-16 X 4-1/2 G5 ZC	10
9	YWFL16005	WASHER FLAT, 1/2 USS	10
10	HGV72	WIRE CLAMP, 3/4	10
11	YNHX12005	NUT HEX, 3/8-16 NAA ZC	10
12	YNFG12006	NUT FLANGE, 3/8 GF	47





**FIGURE 3**  
**PTO SHIELD & COMPONENTS**







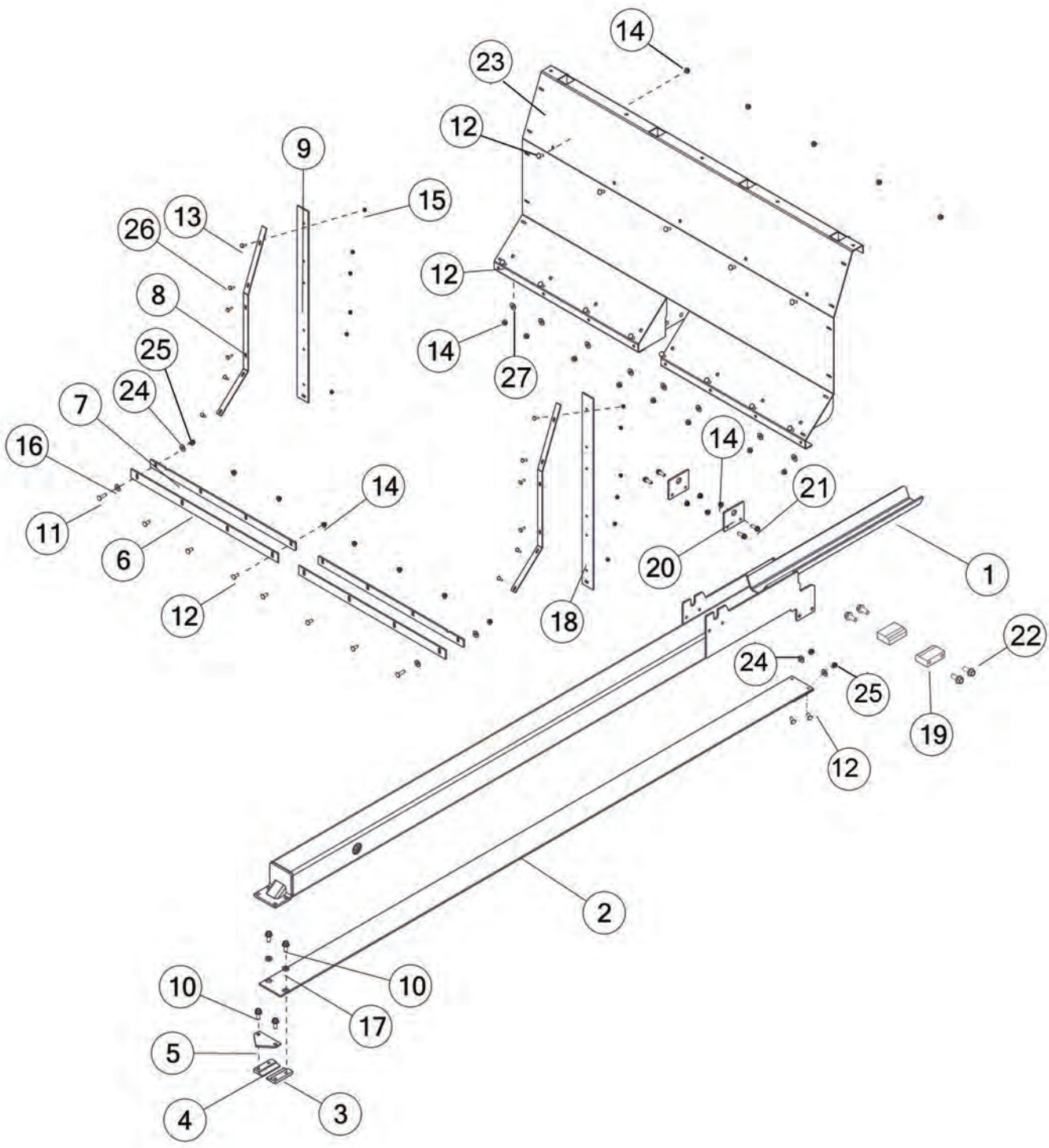
**FIGURE 3**  
**PTO SHIELD & COMPONENTS**

REF #	PART #	DESCRIPTION	QTY
1	90164B	PTO SHIELD W/DECALS	1
2	90168	LOWER PTO SHIELD	1
3	89564	INPUT SHIELD	1
4	88927	INPUT SHIELD ANGLE	1
5	HE14	SMALL PIPE BRACKET	1
6	89639	HOSE HOLDER	1
7	S522	MANUAL HOLDER	1
8	CHM38	PLUG STORAGE	1
9	YBPU10007	PIPE U BOLT, 5/16 X 1-1/2	1
10	YBFB12003	BOLT FLANGE, 3/8 X 1 G5	3
11	YBFB08075	BOLT FLANGE, 1/4 X 3/4 G5	11
12	YBFB08100	BOLT FLANGE, 1/4 X 1 G5	12
13	YNFG10005	NUT FLANGE, 5/16 GF	2
14	YNFG12006	NUT FLANGE, 3/8 GF	3
15	YNFG08010	NUT FLANGE, 1/4 GF	13
16	96213	EDGE TRIM, 1/4 X 14	1





**FIGURE 4**  
**PUSHER COMPONENTS**





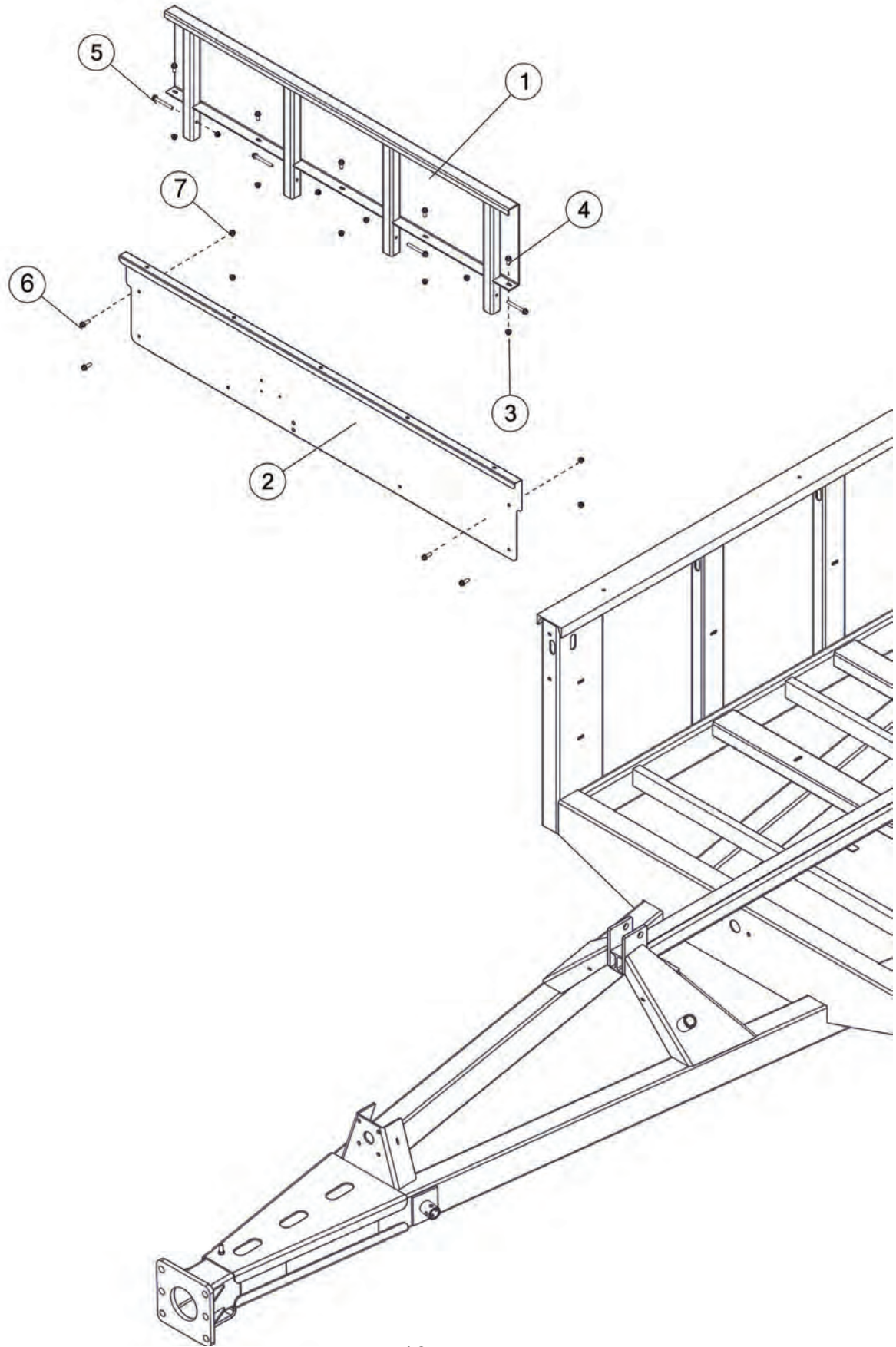
# FIGURE 4 PUSHER COMPONENTS

REF #	PART #	DESCRIPTION	QTY
1	55N44	MOVEABLE FLOOR	1
2	55N85	PUSHER TUBING SLIDE	1
3	55N48	END CAP CLAMP RH	1
4	55N49	END CAP CLAMP LH	1
5	55N86	SCRAPER	1
6	55N83	PUSHER BOTTOM RUBBER	2
7	55N81	PUSHER WIPER	2
8	55N25	PUSHER RUBBER STRAP	2
9	55N27	PUSHER RUBBER LH	1
10	YBFB16125	BOLT FLANGE, 1/2 X 1-1/4 G5	4
11	YBCR12015	BOLT CARRIAGE, 3/8-16 X 1-1/2 G5 ZC	8
12	YBCR12010	BOLT CARRIAGE, 3/8-16 X 1 G5 ZC	15
13	YBCR08005	BOLT CARRIAGE, 1/4-20 X 1 G5 ZC	12
14	YNFG12006	NUT FLANGE, 3/8 GF	23
15	YNFG08010	NUT FLANGE, 1/4 GF	12
16	YWFL14005	WASHER FLAT, 7/16 USS ZINC	2
17	42N150	POLY SPACER	2
18	55N28	PUSHER RUBBER RH	1
19	55N46	PUSHER FRONT GUIDE	2
20	55N47	CYLINDER RETAINER	2
21	YBHH12035	BOLT HEX, 3/8 X 1-1/4 G5	4
22	YBHH20010	BOLT HEX, 5/8 X 1-1/2 G5	4
23	90095	PUSHER	1
24	YWLO12005	WASHER LOCK, 3/8	4
25	YNHX12005	NUT HEX, 3/8 G2	4
26	YBCR08015	BOLT CARRIAGE, 1/4-20 X 1-1/4 G5 ZC	2
27	YWFL12005	WASHER FLAT, 3/8 G5	13





# FIGURE 5 PUSHER EXTENSION & COMPONENTS





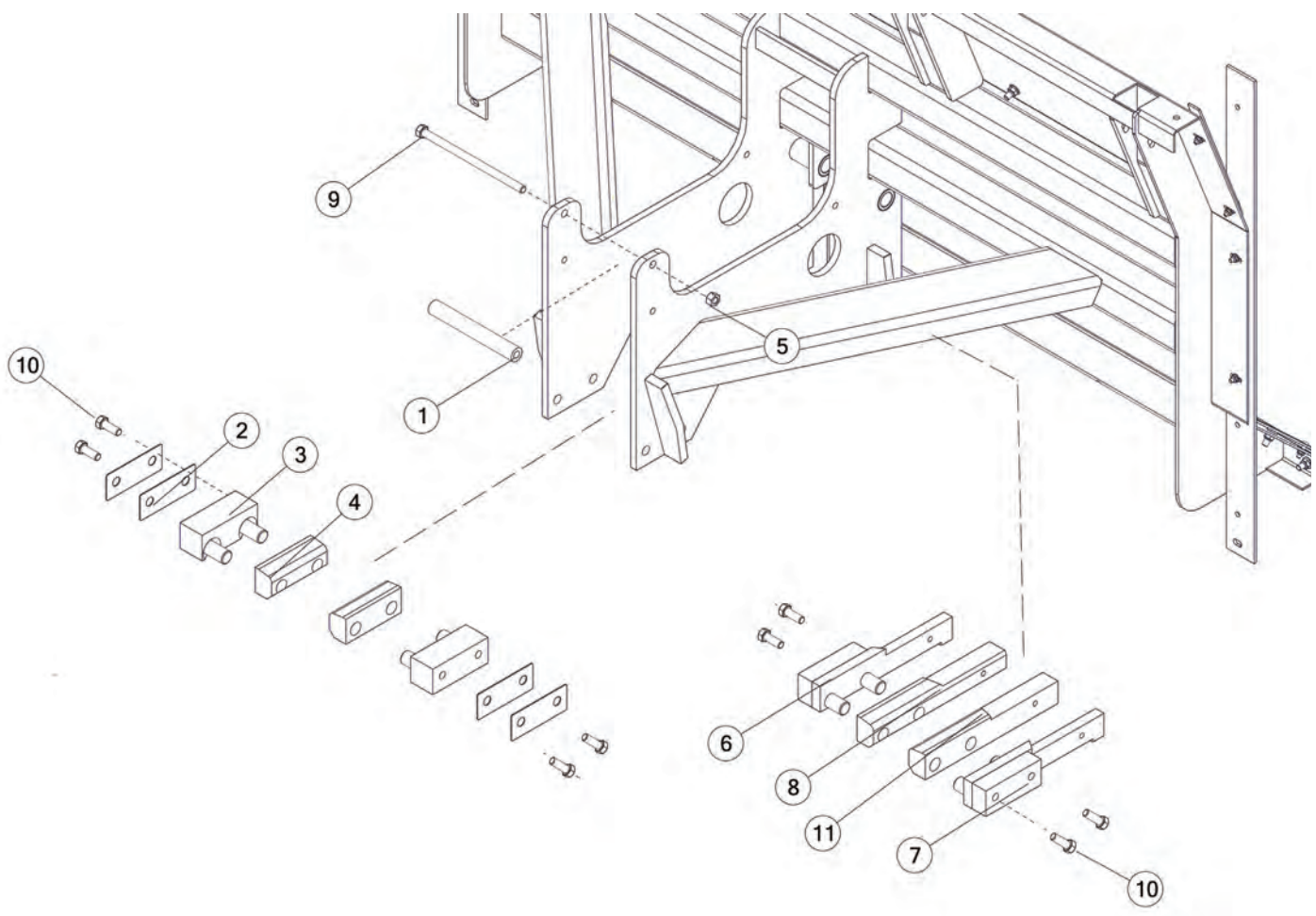
# FIGURE 5 PUSHER EXTENSION & COMPONENTS

REF #	PART #	DESCRIPTION	QTY
1	90065	PUSHER EXTENSION	1
2	89640B	FRONT PANEL W/DECALS	1
3	YNFG12006	NUT FLANGE, 3/8 GF	9
4	YBFB12003	BOLT FLANGE, 3/8 X 1 G5 ZC	5
5	YBFB12350	BOLT FLANGE, 3/8 X 3-1/2 G5	4
6	YBFB16125	BOLT FLANGE, 1/2 X 1-1/4 G5	4
7	YNFG16003	NUT FLANGE, 1/2 GF	4





# FIGURE 6 PUSHER SPACERS & COMPONENTS





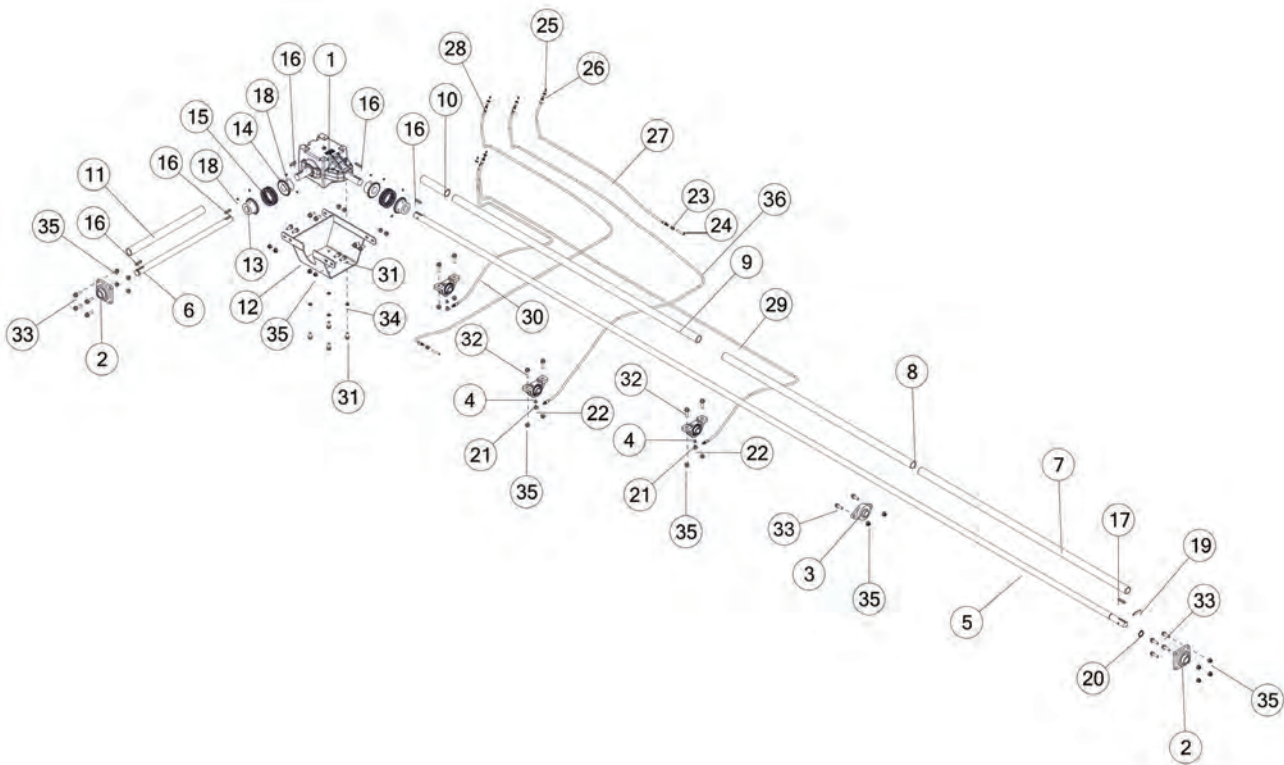
# FIGURE 6 PUSHER SPACERS & COMPONENTS

REF #	PART #	DESCRIPTION	QTY
1	55N59	PUSHER SPACER	1
2	42N114	PUSHER SHIM	4
3	55N52	POLY BLOCK SPACER FRONT	2
4	55N53	PUSHER POLY SLIDE	2
5	YNTL16005	NUT HEX, TOP LOCK, 1/2 G5	1
6	55N54	POLY BLOCK EXTENSION RH	1
7	55N57	POLY BLOCK EXTENSION LH	1
8	55N55	PUSHER POLY SLIDE RH	1
9	YBHH16200	BOLT HEX, 1/2-13 X 10 G5 ZC	1
10	YBHH20015	BOLT HEX, 5/8 X 1-1/4 G5	8
11	55N56	PUSHER POLY SLIDE LH	1





# FIGURE 7 GEARBOX DRIVE & COMPONENTS







# FIGURE 7

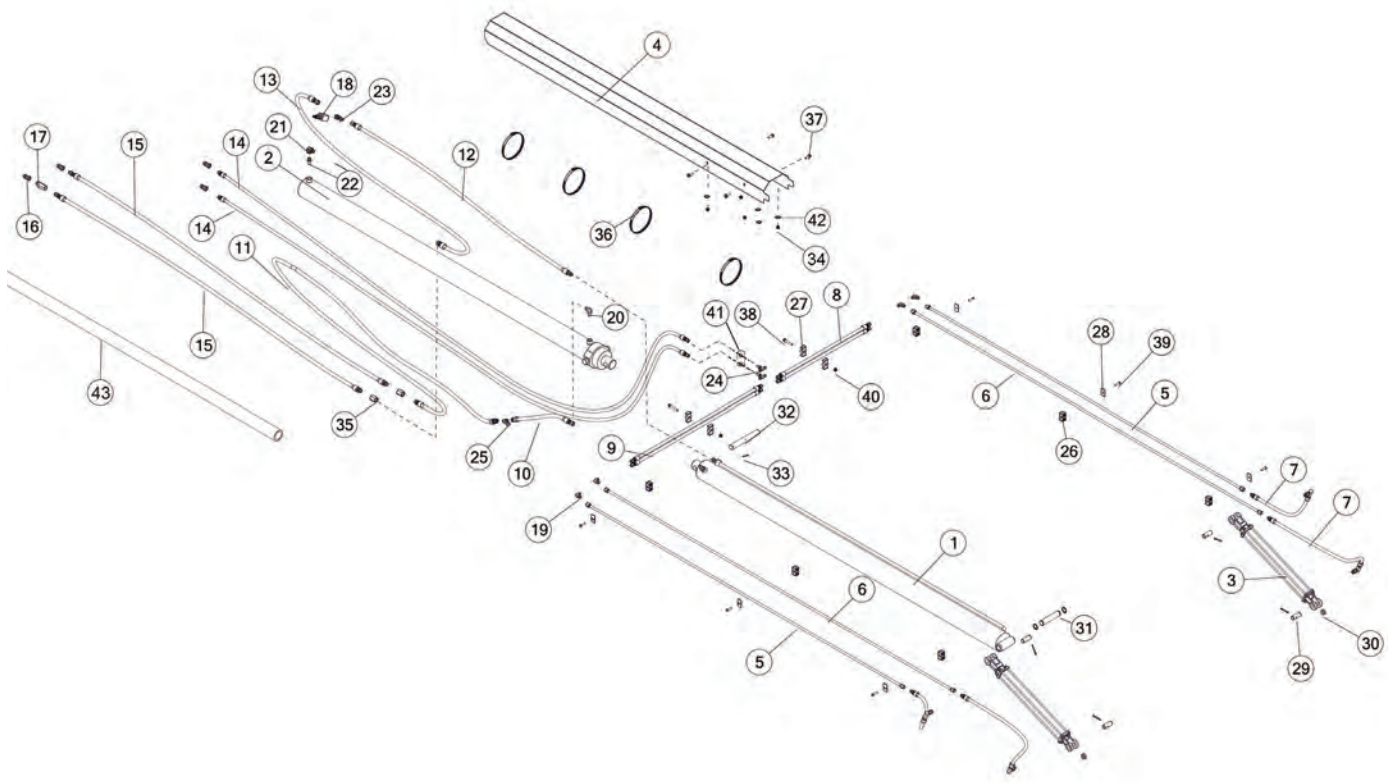
## GEARBOX DRIVE & COMPONENTS

REF #	PART #	DESCRIPTION	QTY
1	89515	COMPLETE GEARBOX	1
2	12V99	BRG, 5.13 X 1.50 X 2.02, FLANGE	2
3	42N18	PILLOW BLOCK BEARING W/STRAIGHT, 1-1/2	1
4	60659	BEARING	3
5	87954	INPUT SHAFT	1
6	56783	CROSS SHAFT - FOR CLUTCH	1
7	42N16	INPUT PVC SHIELD	1
8	42N19	DRIVE SHAFT CENTER PVC SHIELD	1
9	96172	DRIVE SHAFT MIDDLE PVC SHIELD	1
10	96173	DRIVE SHAFT BACK PVC SHIELD	1
11	42N23	CROSS SHAFT PVC SHIELD	1
12	89568	GEARBOX MOUNT	1
13	42N24	SPROCKET 50-B-20 1-1/2 BORE	2
14	42N25	SPROCKET 50-B-20 1-3/4 BORE	2
15	HGV124	CONNECTOR CHAIN #50 X 20	2
16	56N174	SQUARE KEY, 3/8 X 2	4
17	S138	SQUARE KEY, 3/8 X 2-3/8	1
18	YSKP12025	SET SCR, SOCKET, KNURLED CUP PT, 3/8-16 X 3/8	8
19	YPEX12025	EXPANSION PIN, 3/8 X 2-3/4	1
20	12V62	HEAVY DUTY EXTERNAL SNAP RING, 1-1/2	1
21	TS323	FITTING STRAIGHT, 1/4-28, 1/8-27NPT	3
22	58453	FITTING 90, 1/8NPT, 1/8NPT	3
23	88827	FITTING STRAIGHT, 1/8NPT, 1/8NPT	2
24	66077	NIPPLE, 1/8 MALE PIPE X 2-1/2	2
25	G89	STRAIGHT ZERK, 1/2-28	5
26	YNJM04005	NUT JAM, 1/8 A	5
27	88909	GREASE HOSE, 3, 66	1
28	89728	GREASE HOSE, 3, 134	1
29	89725	GREASE HOSE, 3, 161	1
30	89723	GREASE HOSE, 3, 77	1
31	YBFB16125	BOLT FLANGE, 1/2 X 1-1/4 G5	12
32	YBFB16200	BOLT FLANGE, 1/2 X 2 G5	6
33	YBFB16175	BOLT FLANGE, 1/2 X 1-3/4 G5	10
34	YWLO16005	WASHER LOCK, 1/2	4
35	YNFG16003	NUT FLANGE, 1/2 GF	24
36	88907	GREASE HOSE, 3, 111	1





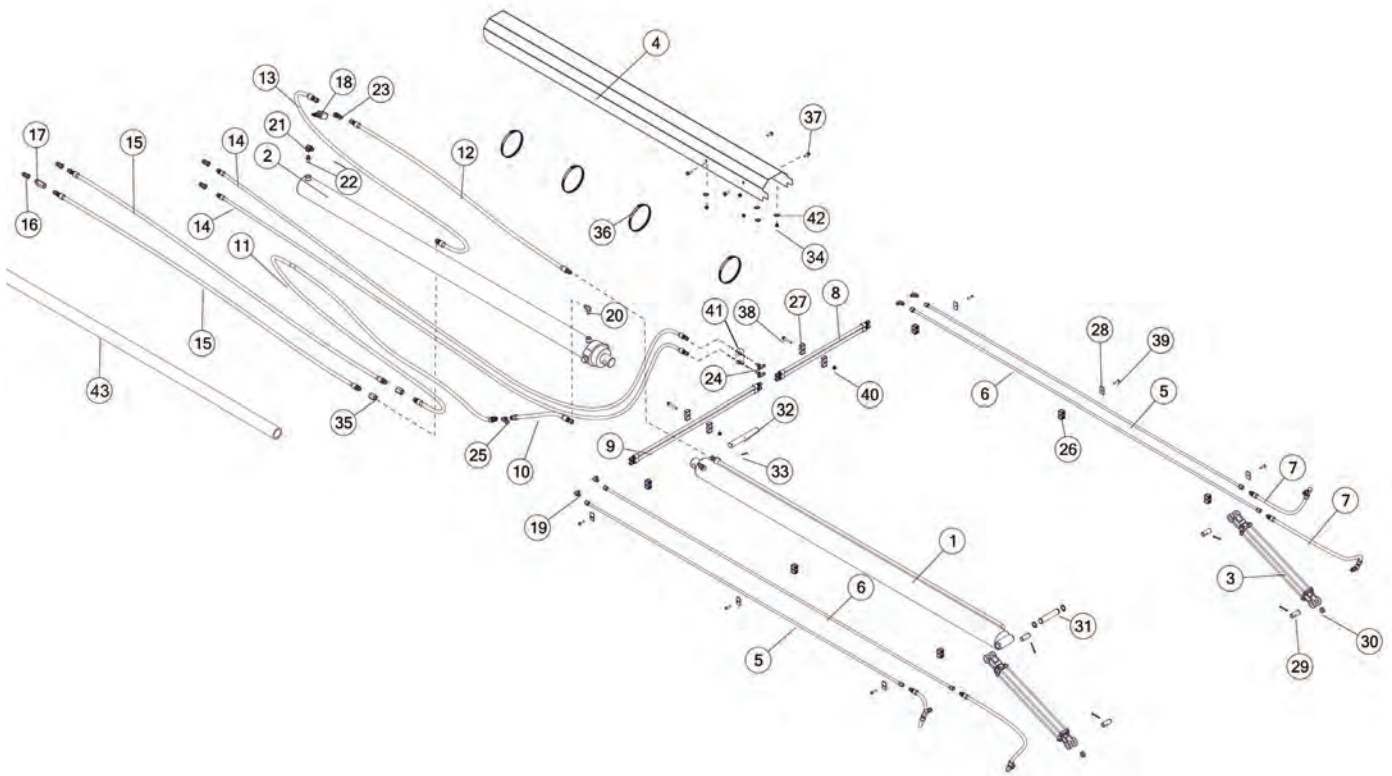
# FIGURE 8 HYDRAULICS





REF #	PART #	DESCRIPTION	QTY
1	55N33	HYDRAULIC CYLINDER, TRUNNION 4.5 X 90	1
2	55N32	HYDRAULIC CYLINDER, GIMBAL 4.5 X 90	1
3	90970	HYDRAULIC CYLINDER, 2 X 20	2
4	88870B	CYLINDER SHIELD W/DECALS	1
5	90973	HYDRAULIC TUBE, 1/2 X 108	2
6	89070	HYD TUBE, 1/2 X 10 FT	2
7	90972	HYDRAULIC HOSE, 6, 36	4
8	89635	HYDRAULIC HOSE, 6, 32	2
9	89632	HYDRAULIC HOSE, 6, 45	2
10	89654	HYDRAULIC HOSE, 8, 21	1
11	89665	HYDRAULIC HOSE, 8, 166	1
12	89652	HYDRAULIC HOSE, 8, 76	1
13	89659	HYDRAULIC HOSE, 8, 90	1
14	89629	HYDRAULIC HOSE, 6, 182	2
15	89662	HYDRAULIC HOSE, 8, 110	2
16	67148	FTG, ST, 8ORB, QUICK COUPLER TIP	4
17	89576	HYDRAULIC VALVE, CHECK	1
18	89573	HYDRAULIC VALVE, SEQUENCE	1
19	58187	FITTING 8-6 ETX-S	4
20	58189	FITTING, 90, 8JIC X 1/2NPT	1
21	1056	-8 ORB TO -8 ORB 90 DEG	1
22	TFM89	FITTING, STRAIGHT, 8ORB X 1/2NPT	1
23	89643	FITTING T, 8 JIC, 8 JIC, 8 ORB	1
24	8005	FITTING TEE, 8JIC X 8JIC X 8JIC, BULKHEAD	1
25	TS139	FITT T, 8JIC, 8JIC, 8JIC	1
26	TS118	LINE CLAMP BLOCK ( PART OF T2008S)	6
27	86567	DOUBLE CLAMP, UNIVERSAL	4
28	56563	CLAMP TOP PLATE	6
29	56N141	CYLINDER PIN	4
30	K132	SPACER, 3/8 LONG	2
31	55N50	REAR CYLINDER PIN	1
32	55N34	CYLINDER PIN	1
33	YPCT05025	COTTER PIN, 5/32 X 2	6
34	YNHX12005	NUT HEX, 3/8 G2	4
35	90154	FITTING STRAIGHT, 10ORB, 10ORB	2
36	55N66	HOSE CLAMP SAE #104	1
37	YBFB12125	BOLT FLANGE, 3/8 X 1-1/4 G5	4
38	YBFB12250	BOLT FLANGE, 3/8 X 2-1/2 G5	2
39	56568	CLAMP BOLT 5/16-18 x 1-3/8	6





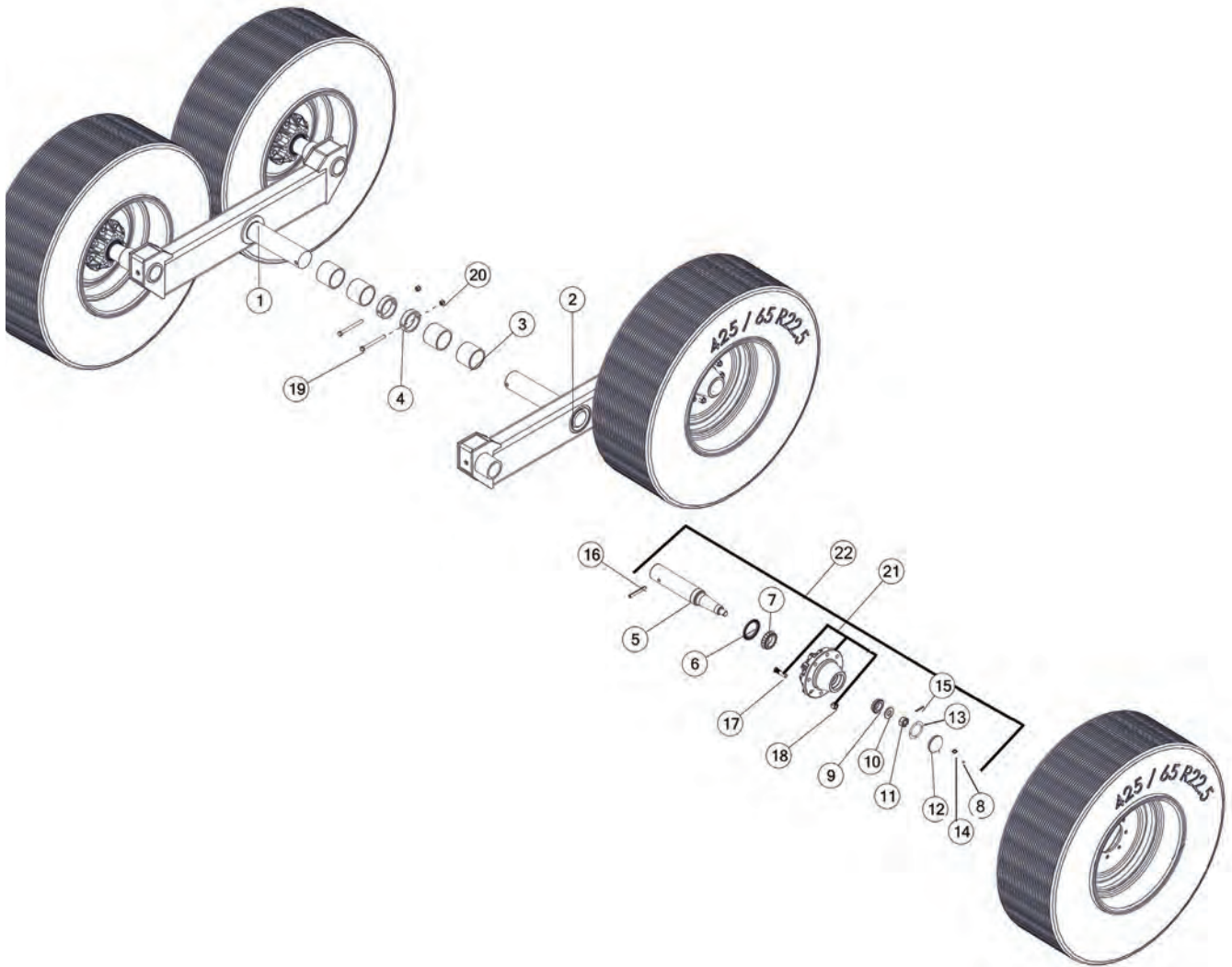


REF #	PART #	DESCRIPTION	QTY
40	YNFG12006	NUT FLANGE, 3/8 GF	2
41	92935	BULKHEAD SPACER	1
42	YWLO12005	WASHER LOCK, 3/8	4
43	42N64	HOSE SHIELD, 1-1/2 X 73	1





# FIGURE 9 TANDEM AXLE AND WHEEL COMPONENTS

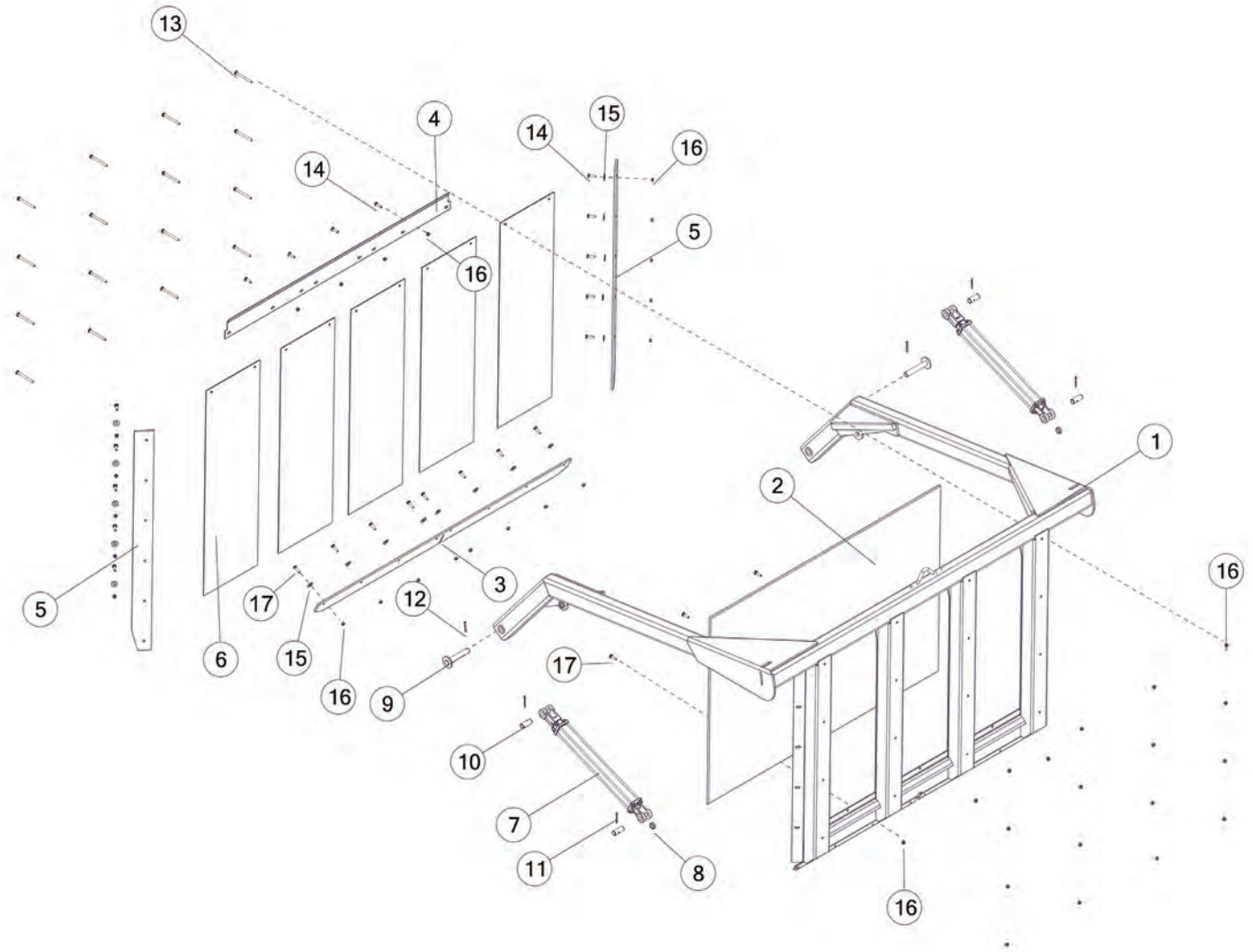




# FIGURE 9 TANDEM AXLE AND WHEEL COMPONENTS

REF #	PART #	DESCRIPTION	QTY
1	55N3	TANDEM AXLE RH	1
2	55N2	TANDEM AXLE LH	1
3	70157	BUSHING, NYLATRON, 4-1/2 OD X 4 ID X 3-1/4	4
4	16SV214	AXLE MOUNT COLLAR	2
5	93127	SPINDLE, 3 X 19-1/4	4
6	93128	SEAL	4
7	54505	INNER BEARING	4
8	YBHH10105	BOLT HEX, 5/16 X 3/4 G5	16
9	54506	OUTER BEARING	4
10	93129	WASHER	4
11	YNSL36010	NUT SLOT, 1-1/4-12 NA G5	4
12	93131	HUB CAP	4
13	93130	GASKET	4
14	YWLO10005	WASHER LOCK, 5/16	16
15	YPCT08007	COTTER PIN, 1/4 X 2	4
16	YPEX16020	EXPANSION PIN, 1/2 X 4	4
17	YBSD24010	BOLT STUD, 3/4 UNF X 2-3/4	40
18	YNWL24005	NUT HEX, FLANGE, 3/4	40
19	YBHH16165	BOLT HEX, 1/2 X 6 G5	2
20	YNNY16005	NUT HEX, NYLON LOCKNUT, 1/2	2
21	93123	HUB	4
22	93132	HUB & SPINDLE ASSEMBLY	4
*	90195	ASSEMBLY, WHEEL AND TIRE	4
*	90188	WHEEL, 22.5 X 13.0 10 BOLT SILVER	4
*	16SV88	TIRE, 425 X 22.5	4
*	72438	VALVE STEM, 1-1/2	4







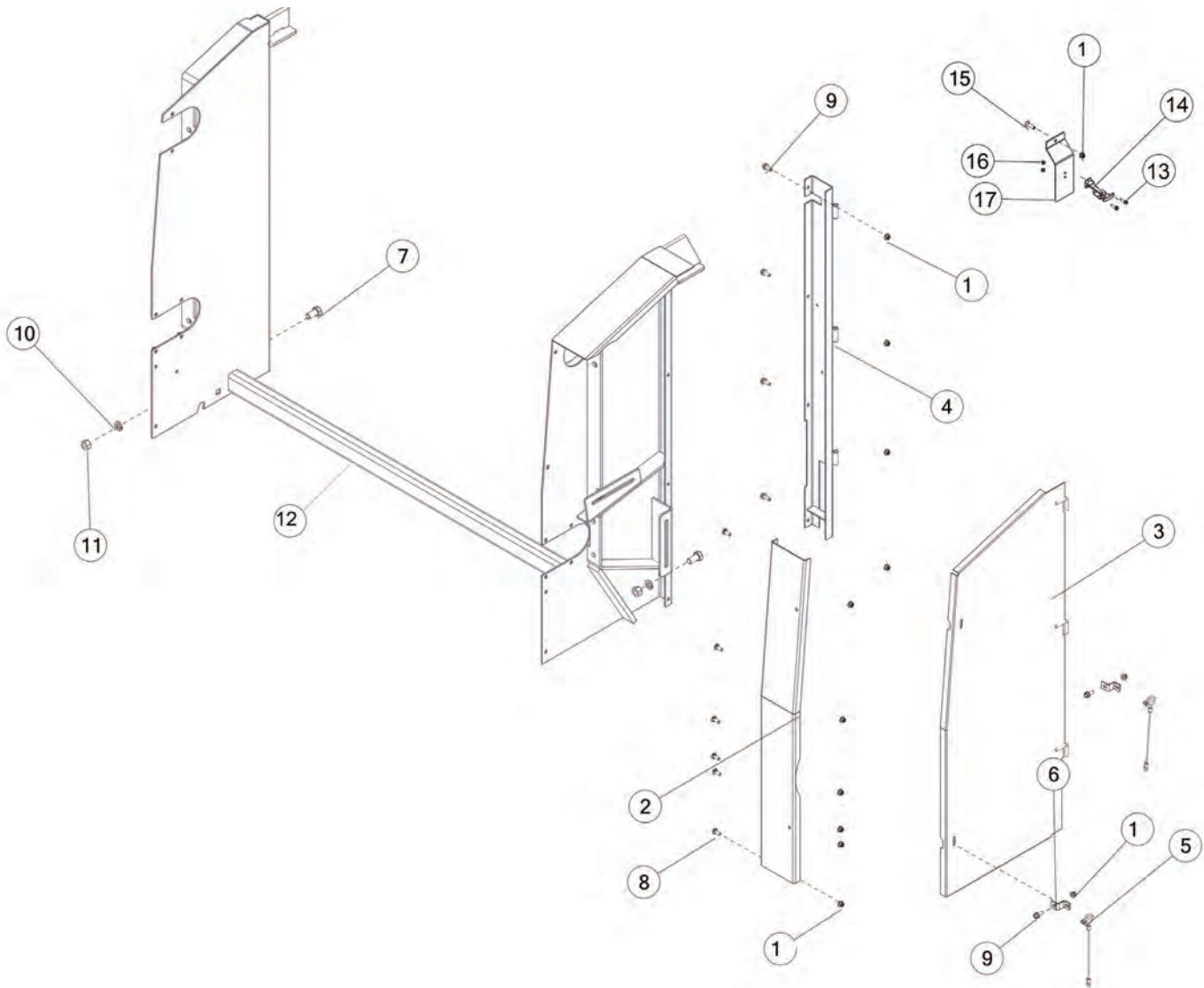


# FIGURE 10

## ENDGATE & COMPONENTS

REF #	PART #	DESCRIPTION	QTY
1	55N9B	ENDGATE W/DECALS	1
2	55N15	ENDGATE POLY	1
3	55N14	ENDGATE RUBBER	1
4	89823	ENDGATE POLY HOLD DOWN	1
5	55N13	ENDGATE RUBBER LEFT	2
6	55N88	ENDGATE CURTAIN BELTING	5
7	90970	HYDRAULIC CYLINDER, 2 X 20	2
*	23N142A	CLEVIS CAP	1
*	56174	ROD CAP	1
*	45N43	CYLINDER TUBE	1
*	23N149	PLUG	2
*	45N44	TIE ROD	4
*	56180	PISTON	1
*	45N42	CYLINDER ROD	1
*	23N150A	ROD CLEVIS	1
*	YSSO12015	SET SCREW SOCKET, 3/8 X 3/8	1
*	23N148	PISTON NUT	1
*	56187	SEAL KIT	1
*	YNHX12006	NUT HEX, 3/8 G2	8
8	K132	SPACER, 3/8 LONG	2
9	55N10	ENDGATE PIVOT PIN	2
10	56N141	SHAFT, RND, 1 X 2-1/2, PIN, CYLINDER	4
11	YPCT05025	COTTER PIN, 5/32 X 2	4
12	YPEX12020	EXPANSION PIN, 3/8 X 2	2
13	YBCR12105	BOLT CARRIAGE, FT, 3/8-16 X 4-1/2 G5 ZC	16
14	YBCR12015	BOLT CARRIAGE, 3/8-16 X 1-1/2 G5 ZC	16
15	YWFL14005	WASHER, FLAT, 7/16	49
16	YNHX12005	NUT HEX, 3/8-16 NA A ZC	41
17	YBCR12020	BOLT CARRIAGE, 3/8 X 1-1/4 G5	16



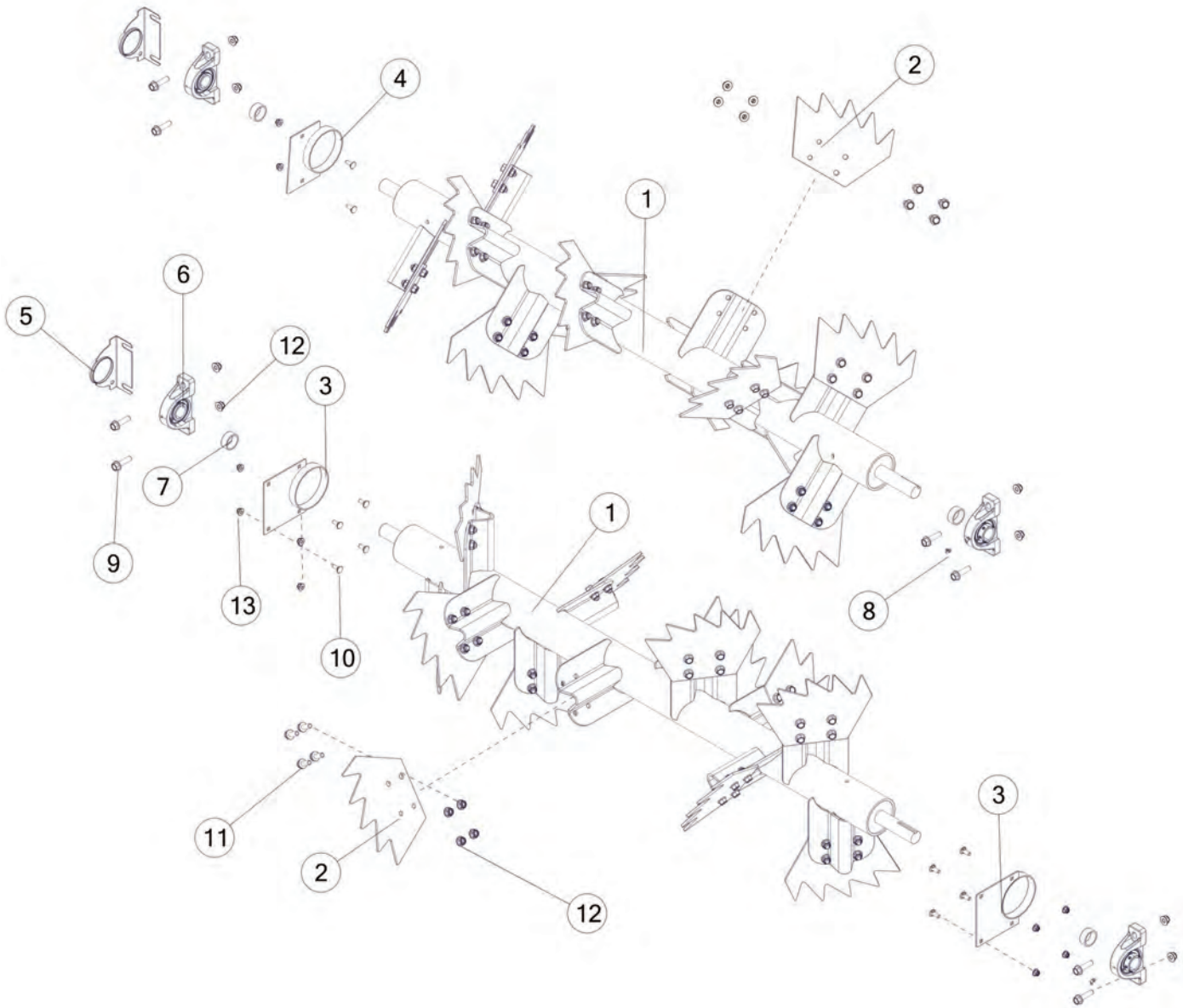




# FIGURE 11 BEATER PANELS & COMPONENTS

REF #	PART #	DESCRIPTION	QTY
1	YNFG12006	NUT FLANGE, 3/8 GF	12
2	55N20	MAIN PANEL END, RH	1
3	55N21B	REAR SHIELD W/DECALS	1
4	55N22	SHIELD FILLER	1
5	S122	LANYARD, CLIP PIN CABLE	2
6	84636	SHIELD LATCH	2
7	YBHH24010	BOLT HEX, 3/4 X 1-1/2 G5	2
8	YBCR12010	BOLT CARRIAGE, 3/8-16 X 1 G5 ZC	6
9	YBFB12003	BOLT FLANGE, 3/8 X 1 G5	6
10	YWLO24005	WASHER LOCK, 3/4	2
11	YNHX24005	NUT HEX, 3/4-10 NA A ZC	2
12	55N16	BEATER PANEL	1
13	YSPN64005	SCREW PAN HEAD, #10-24 X 5/8	2
14	X233	LATCH ASSEMBLY	1
15	YSFS12016	BOLT FLAT SOK, 3/8-16 X 1-1/2 ZC	1
16	YNNY64005	SCREW PAN HEAD, #10-24 X 5/8	2
17	42N105	BACK STAKE FILLER	1







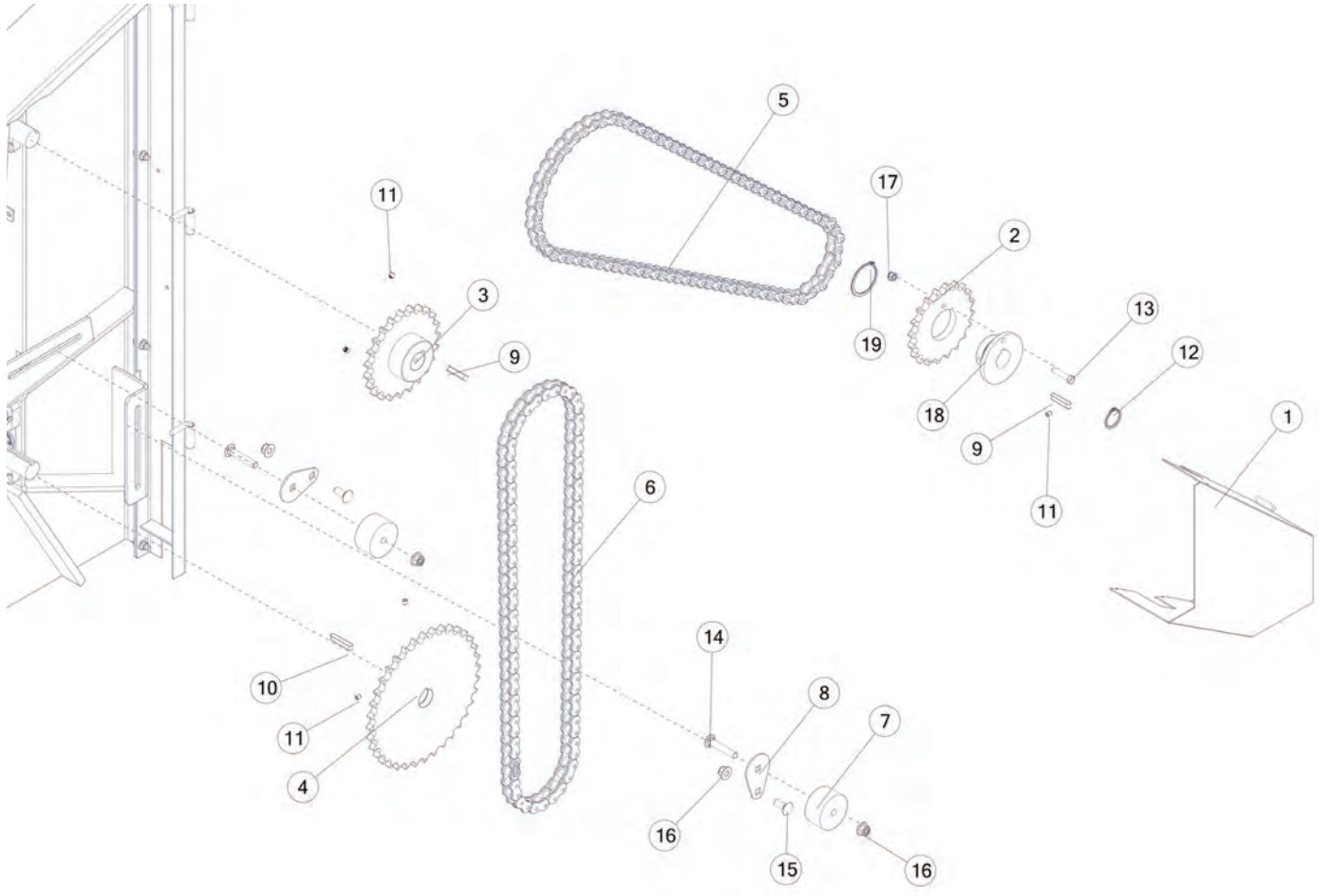
# FIGURE 12 BEATERS & COMPONENTS

REF #	PART #	DESCRIPTION	QTY
1	42N38	BEATER	2
2	23N277	BEATER BLADE-HARDENED	24
3	42N40	BEATER SLOT FILLER	2
4	55N18	SECOND BEATER SLOT FILLER	1
5	42N142	STUB SHAFT SHIELD	2
6	60659	PILLOW BLOCK BEARING	4
7	42N103	BEATER SPACER	3
8	RG51	ZERK, 90 DEGREE 1/4"-28	2
9	YBFB16200	BOLT FLANGE, 1/2 X 2 G5	8
10	YBCR12010	BOLT CARRIAGE, 3/8-16 X 1 G5 ZC	10
11	YBFB16125	BOLT FLANGE, 1/2 X 1-1/4 G5	96
12	YNFG16003	NUT FLANGE, 1/2 GF	104
13	YNFG12006	NUT FLANGE, 3/8 GF	10



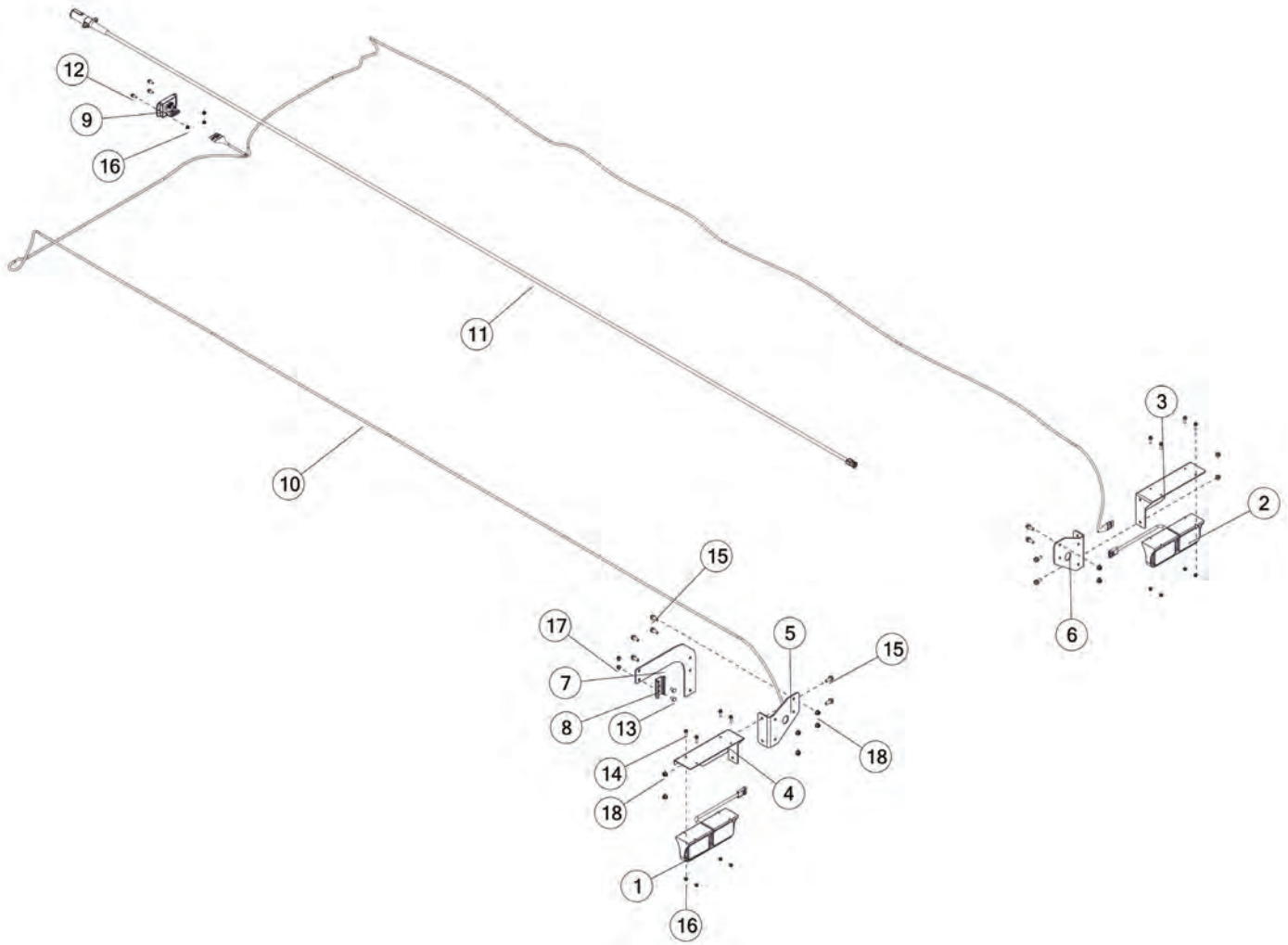


# FIGURE 13 BEATER SPROCKETS & COMPONENTS



REF #	PART #	DESCRIPTION	QTY
1	42N56B	CROSS SHAFT SHIELD W/DECALS	1
2	89760	SHEAR SPROCKET ASSEMBLY	1
3	16SV213	SPROCKET, 23T	1
4	55N19	WLDMT, HORIZONTAL BEATER SPKT	1
5	74563	ROLLER, CHAIN, 80 X 88	1
6	55N17	ROLLER CHAIN, #80, 82P	1
7	42N50	POLY CHAIN TIGHTENER	2
8	42N51	TIGHTENER STOP	2
9	56N174	SQUARE KEY, 3/8 X 2	2
10	42N141	SQUARE KEY, 3/8 X 2-1/4	1
11	YSKP12025	SET SCR, SOCKET, KNURLED CUP PT, 3/8-16 X 3/8	5
12	12V62	HEAVY DUTY EXTERNAL SNAP RING, 1-1/2	1
13	YBHH12055	BOLT HEX, 3/8-16 X 1-3/4 G2 ZC	1
14	YBCR16035	BOLT CARRIAGE, 1/2-13 X 2-3/4 G5 ZC	2
15	YBCR16015	BOLT CARRIAGE, 1/2-13 X 1-1/4 G 5ZC	2
16	YNFG16003	NUT FLANGE, 1/2 GF	4
17	YNNY12005	NUT HEX, 3/8-16, LKNY G2 ZC	1
18	89758	SHEAR HUB	1
19	23N189	SNAP RING, EXTERNAL	1







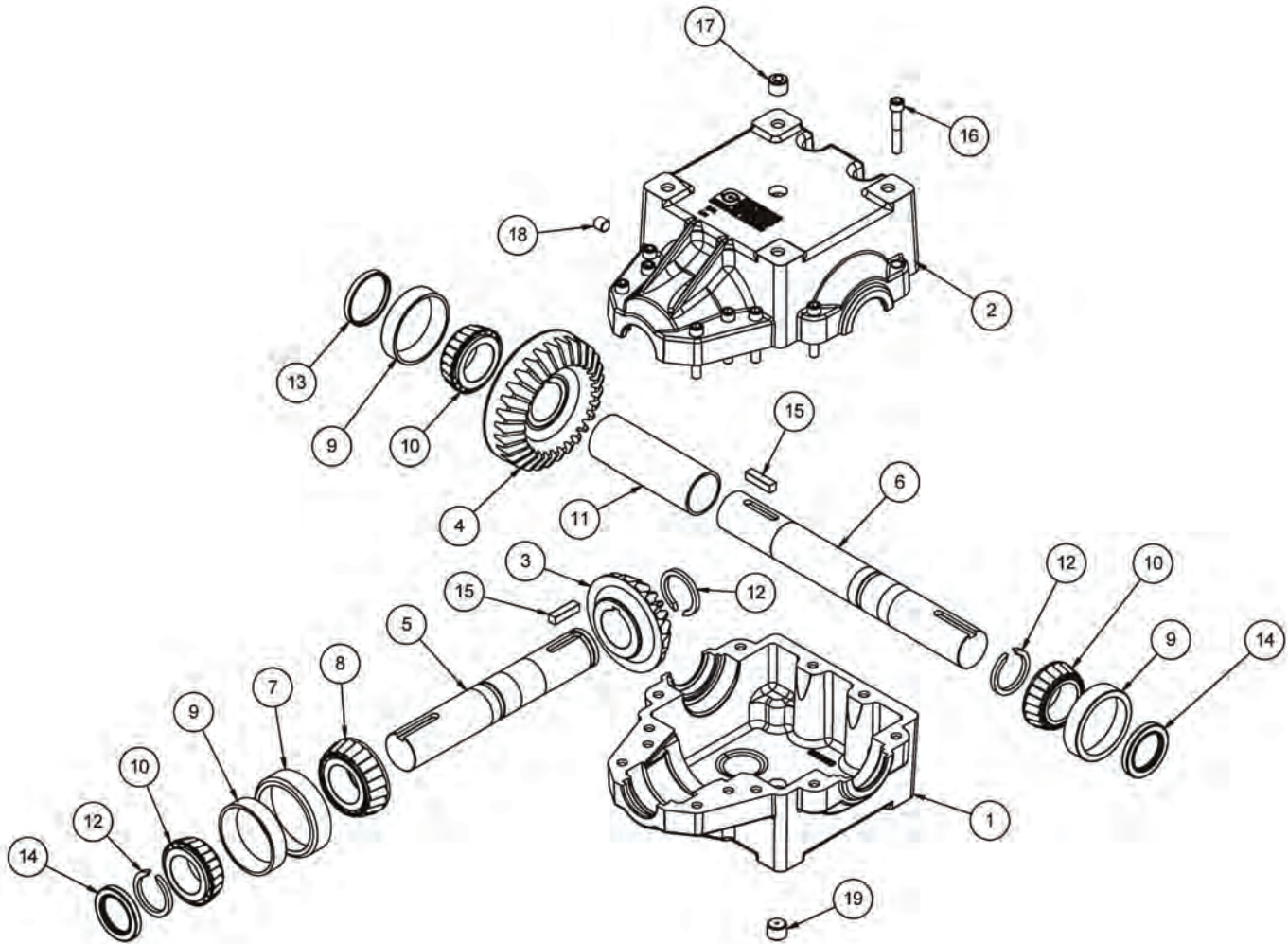


# FIGURE 14

## LIGHTS

REF #	PART #	DESCRIPTION	QTY
1	TFM71	TAIL LIGHT, LH	1
2	TFM72	LED TAIL LIGHT ASSY, RH	1
3	90915B	LIGHT BRACKET W/DECALS, RH	1
4	90914B	LIGHT BRACKET W/DECALS, LH	1
5	90917	LIGHT BRACKET MOUNT, LH	1
6	90918	LIGHT BRACKET MOUNT, RH	1
7	42N43	SMV BRACKET	1
8	F97	SMV HOLDER	1
9	69908	MODULE, CONTROL, BLINKER	1
10	90927	ELECTRICAL HARNESS, TAILLIGHTS	1
11	94018	WIRE HARNESS	1
12	YBFB08075	BOLT FLANGE, 1/4 X 3/4 G5	3
13	YBCR10030	BOLT CARRIAGE, 5/16-18 X 3/4 G5 ZC	2
14	YBFB08100	BOLT FLANGE, 1/4 X 1 G5	8
15	YBFB12003	BOLT FLANGE, 3/8 X 1 G5	10
16	YNFG08010	NUT FLANGE, 1/4 GF	11
17	YNFG10005	NUT FLANGE, 5/16 GF	2
18	YNFG12006	NUT FLANGE, 3/8 GF	10







# FIGURE 15

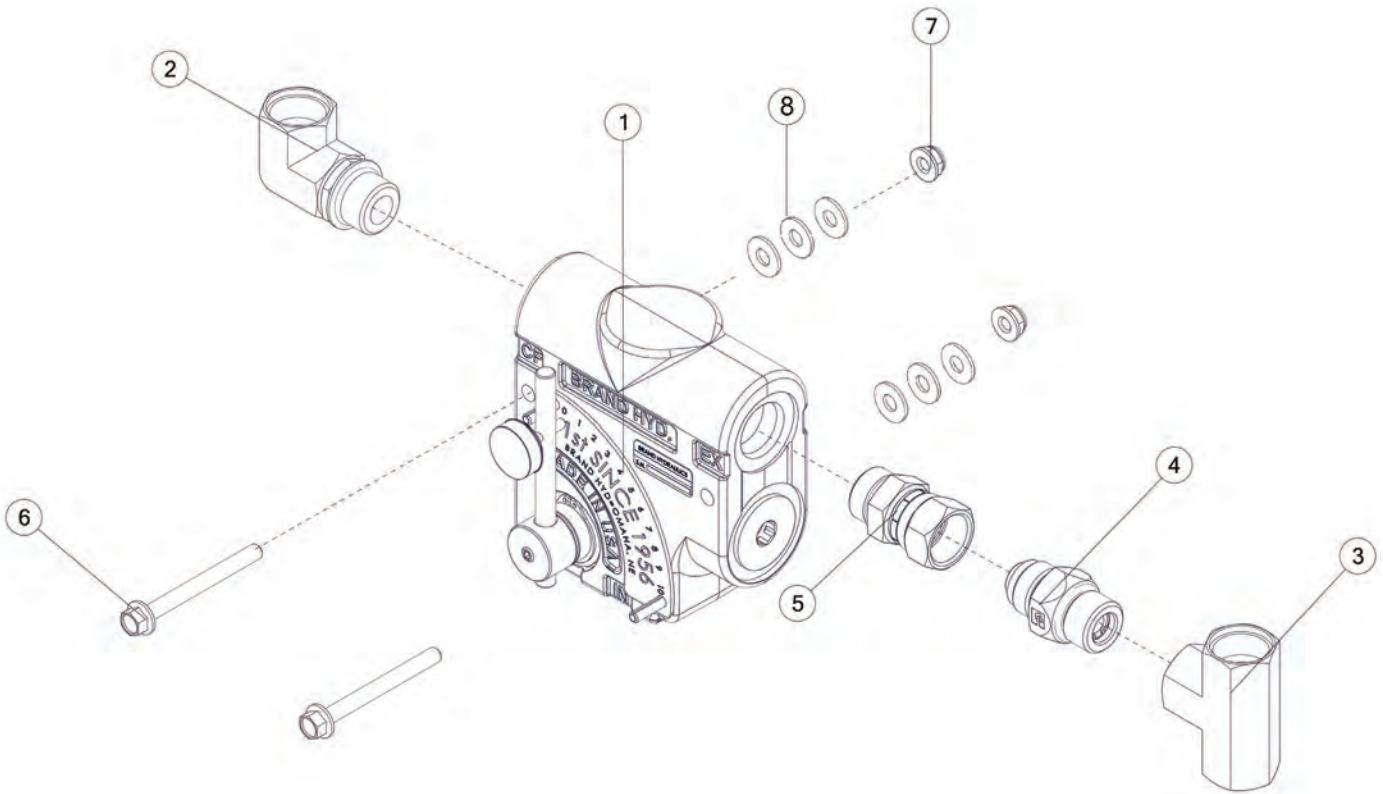
## GEARBOX

REF #	PART #	DESCRIPTION	QTY
1	HGV88	BOTTOM HOUSING	1
2	88365	HOUSING	1
3	88366	GEAR	1
4	88367	GEAR	1
5	90894	STUB SHAFT	1
6	88369	SHAFT	1
7	HGV112	BEARING CUP	1
8	HGV97	BEARING CONE	1
9	HGV92	BEARING CUP	3
10	HGV91	BEARING CONE	3
11	88370	SPACER	1
12	HGV98	RETAINING RING	3
13	HGV99	CAP	1
14	HGV93	OUTPUT SEAL	2
15	A32	SQUARE KEY W/ ROUND ENDS, 3/8 X 1-3/8	2
16	YSHS12012	SCREW SOCKET HEAD CAP, 3/8 X 2-1/4 G8	12
17	HGV95	PLUG, 1/2 NPT	1
18	88371	LEVEL PLUG	1
19	88372	VENT PLUG	1





**FIGURE 16**  
OPTIONAL FLOW CONTROL (HPOVSC)





# FIGURE 16 OPTIONAL FLOW CONTROL (HPOVSC)

REF #	PART #	DESCRIPTION	QTY
1	89583	FLOW CONTROL	1
2	90157	FITTING 90, 10ORB, 10ORB	1
3	91707	FITTING T, 10ORB, 10ORB, 10ORB	1
4	91722	FITTING STRAIGHT, 10JIC, 10ORB, CHECK	1
5	84907	FITTING STRAIGHT, 5/8JIC, 10ORB	2
6	YBFB08250	BOLT FLANGE, 1/4 X 2-12	2
7	YNFG08010	NUT FLANGE, 1/4	2
8	YWFL08005	WASHER FLAT, 1/2	6







**FIGURE 17**  
**OPTIONAL PAN & COMPONENTS**  
**(MSHPOPAN)**

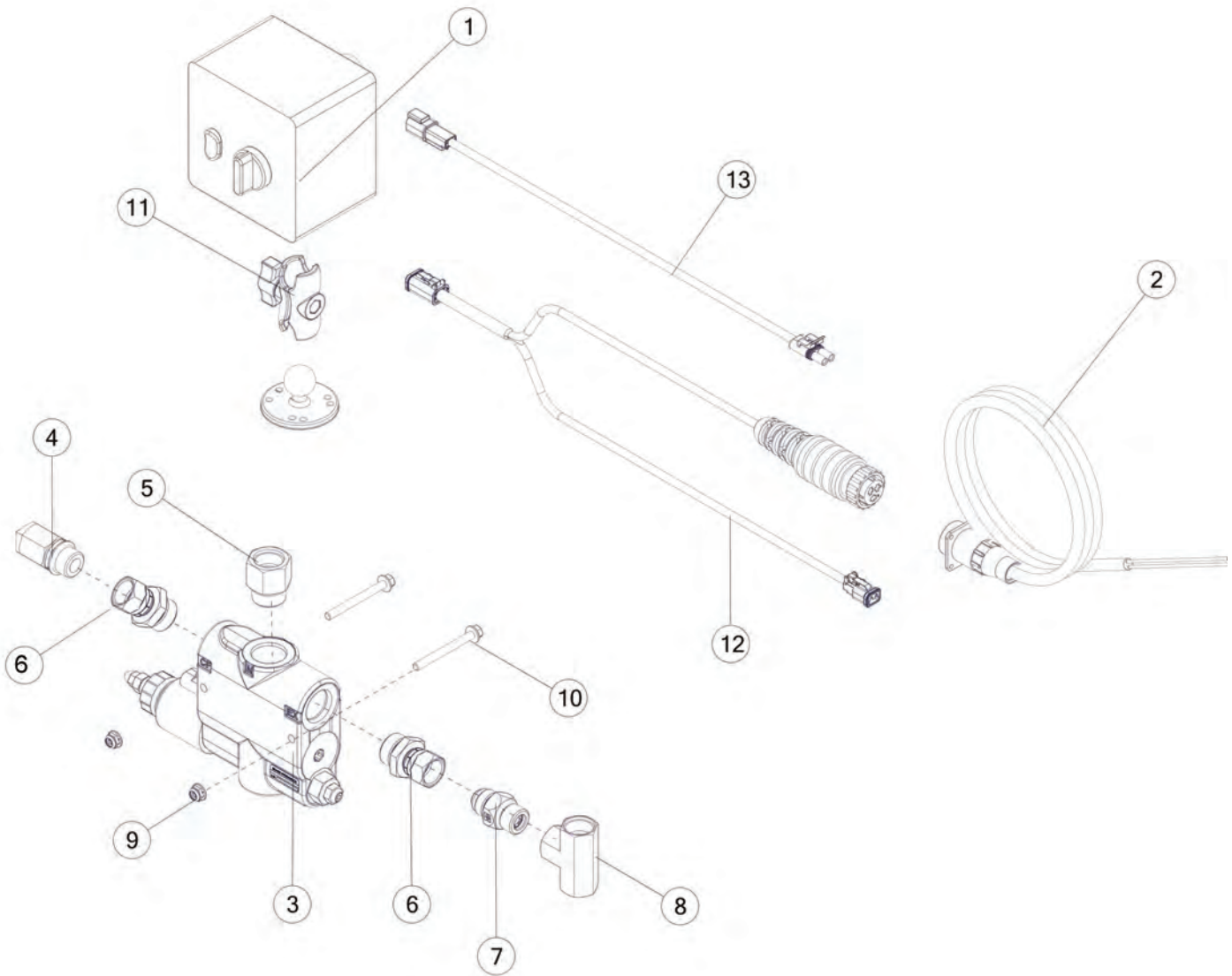
REF #	PART #	DESCRIPTION	QTY
1	42N127	PAN	1
2	42N129	PAN BRACKET, RH	1
3	42N128	PAN BRACKET, LH	1
4	42N130	RUBBER STRAP	1
5	42N131	RUBBER	1
6	42N133	LATCH	1
7	F69	SHIELD BRACKET	1
8	56N170	PAN WASHER	2
9	42N134	LATCH SPACER	1
10	42N132	LATCH BUSHING	1
11	T73	WASHER FLAT, 3/4	2
12	YMSN10005	SNAP HOOK, 5/16	1
13	YBTE12005	BOLT TURNED EYE, 3/8-16X1 144ZC	3
14	ST36	TENSION SPRING	1
15	YPCT06020	COTTER PIN, 3/16 X 2	2
16	YBCR12010	BOLT CARRIAGE, 3/8-16 X 1 G5 ZC	2
17	YBFB10001	BOLT FLANGE, 5/16 X 1 G5	7
18	YBFB12003	BOLT FLANGE, 3/8 X 1 G5	1
19	YBCR24003	BOLT CARRIAGE, 3/4-10 X 2-1/2 G5 ZC	1
20	YNL24005	NUT HEX, 3/4-10 LKTL C ZC	1
21	YNFG10005	NUT FLANGE, 5/16 GF	7
22	YNFG12006	NUT FLANGE, 3/8 GF	2
23	YNCO12005	NUT HEX, COUPLING, 3/8-16 X 1-1/8 NA A ZC	3
24	42N136	ROPE, 5/16 X 216	1





# FIGURE 18

## OPTIONAL VARIABLE SPEED CONTROL (HPOVSEC)







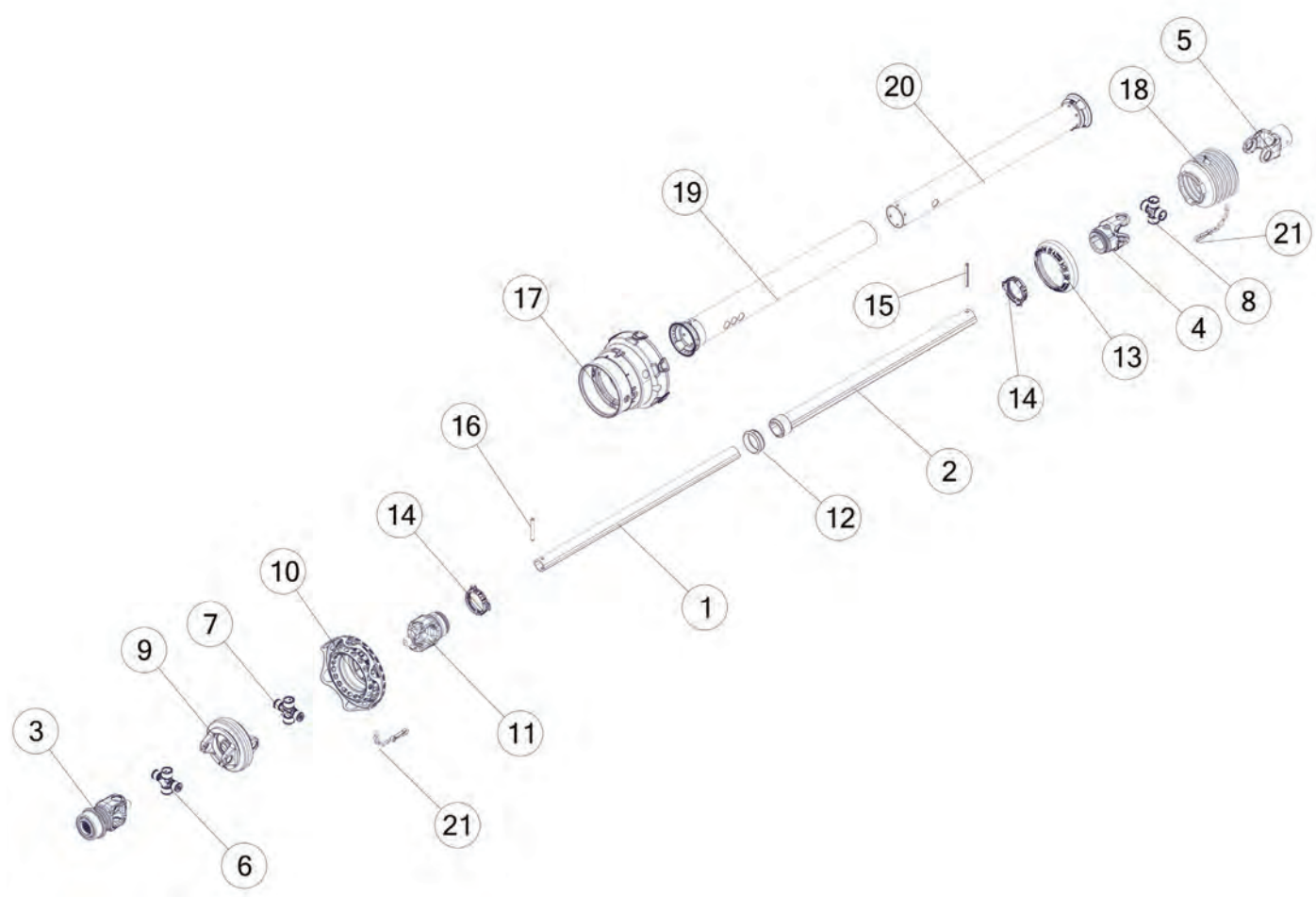
**FIGURE 18**  
**OPTIONAL VARIABLE SPEED CONTROL**  
**(HPOVSEC)**

REF #	PART #	DESCRIPTION	QTY
1	91719	CONTROL BOX	1
2	16SV269	TRACTOR CONTROL CABLE	1
3	89668	ELECTRIC FLOW CONTROL	1
4	GM56	FITTING 90, 10JIC, 10ORB	1
5	69135	FITTING STRAIGHT, 12ORB, 10ORB	1
6	91704	FITTING STRAIGHT, 10JIC, 12ORB	2
7	91722	FITTING STRAIGHT, 10JIC, 10ORB, CHECK	1
8	91707	FITTING TEE, 10ORB, 10ORB, 10ORB	1
9	YNFG08010	NUT FLANGE, 1/4 GF	2
10	YBFB08250	BOLT FLANGE, 1/4 X 2-1/2 G5	2
11	85272	RAM DOUBLE SOCKET SHORT ARM	1
12	91713	CAB HARNESS	1
13	91712	IMPLEMENT HARNESS	1





**FIGURE 19**  
HPO1034CV PTO





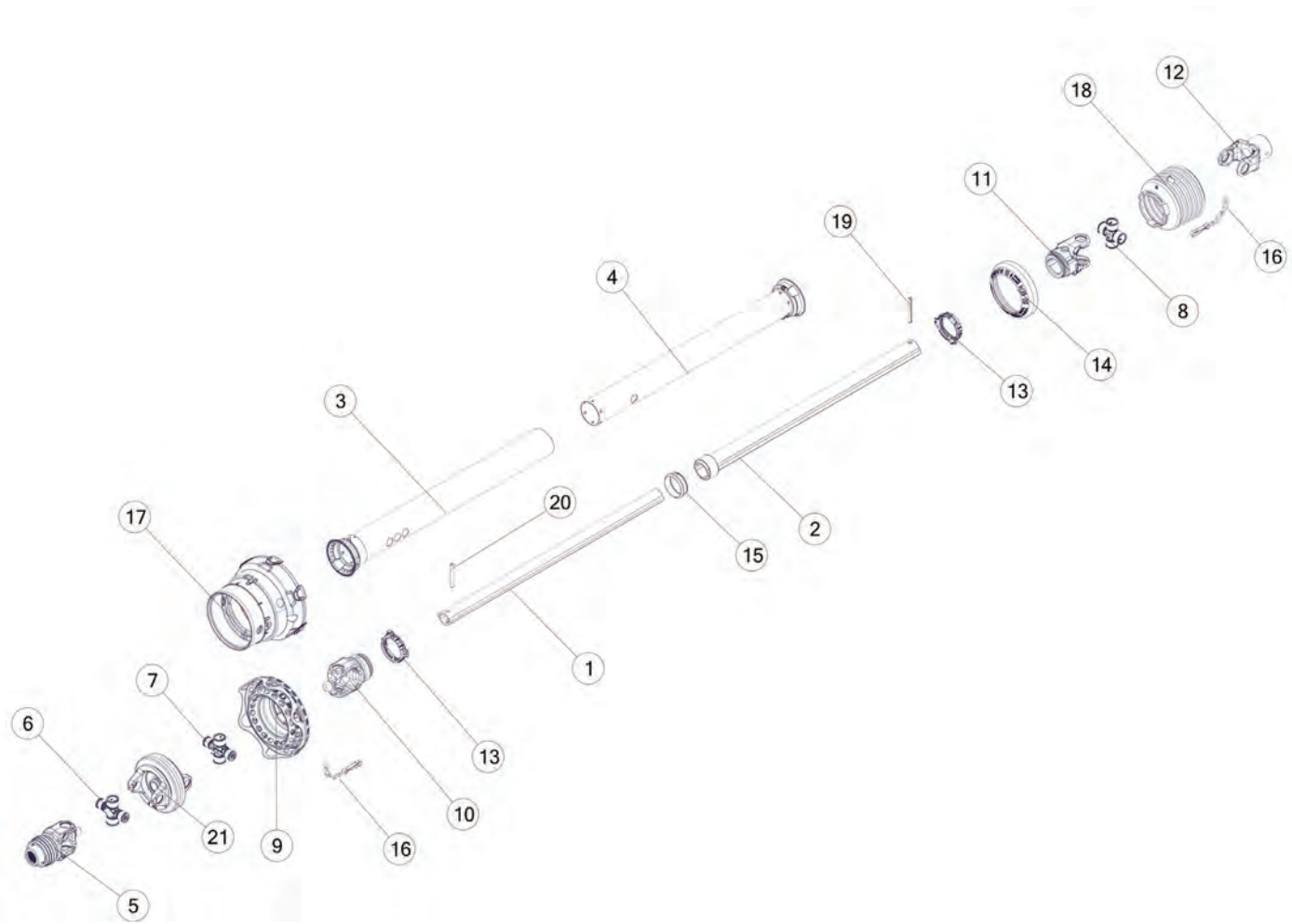
**FIGURE 19**  
**HPO1034CV PTO**

REF #	PART #	DESCRIPTION	QTY
1	89772	INNER SHAFT	1
2	89790	OUTER SHAFT	1
3	89799	YOKE	1
4	89787	YOKE	1
5	89789	YOKE	1
6	89768	CROSS AND BEARING KIT	1
7	89770	CROSS AND BEARING KIT	1
8	89786	CROSS AND BEARING KIT	1
9	89769	DOUBLE YOKE	1
10	89776	NET GUARD	1
11	89771	INBOARD YOKE	1
12	89793	SUPPORT BEARING	1
13	89792	REINFORCING COLLAR	1
14	87919	BEARING RING	2
15	87920	SPRING PIN	1
16	89773	SPRING PIN	1
17	89784	CV GUARD	1
18	87926	GUARD CONE	1
19	89774	OUTER GUARD TUBE	1
20	89791	GUARD TUBE INNER	1
21	87916	RESTRAINT CHAIN	2
*	89800	COMPLETE PTO	1





**FIGURE 20**  
HPO1038CV PTO





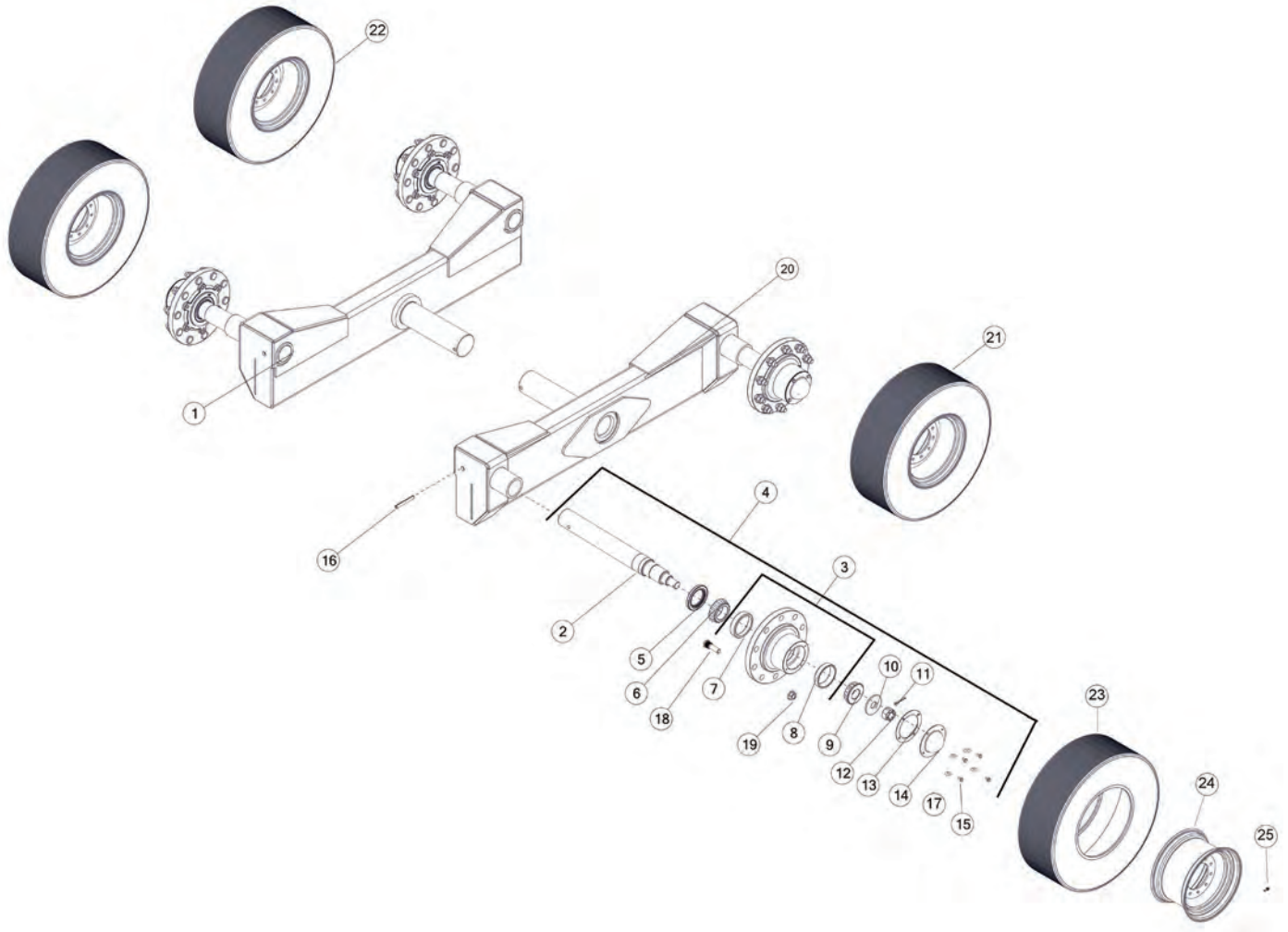
**FIGURE 20**  
**HPO1038CV PTO**

REF #	PART #	DESCRIPTION	QTY
1	89772	INNER SHAFT	1
2	89790	OUTER SHAFT	1
3	89774	OUTER GUARD TUBE	1
4	89791	GUARD TUBE INNER	1
5	89767	YOKE ASSEMBLY	1
6	89768	CROSS AND BEARING KIT	1
7	89770	CROSS AND BEARING KIT	1
8	89786	CROSS AND BEARING KIT	1
9	89776	NET GUARD	1
10	89771	INBOARD YOKE	1
11	89787	YOKE	1
12	89789	YOKE	1
13	87919	BEARING RING	2
14	89792	REINFORCING COLLAR	1
15	89793	SUPPORT BEARING	1
16	87916	RESTRAINT CHAIN	2
17	89784	CV GUARD	1
18	87926	GUARD CONE	1
19	87920	SPRING PIN	1
20	89773	SPRING PIN	1
21	89769	DOUBLE YOKE	1
*	89794	COMPLETE PTO	1





**FIGURE 21**  
OPTIONAL TWP600S (HPOHTA550)





REF #	PART #	DESCRIPTION	QTY
1	59596	TANDEM AXLE, RH	1
2	93135	SPINDLE, 3 X 25-3/4	4
3	93123	HUB	4
4	93136	HUB AND SPINDLE ASSEMBLY	4
5	93128	SEAL	4
6	54505	TAPERED ROLLER BEARING, 2.495 BORE	4
7	54504	INNER RACE	4
8	54503	OUTER RACE	4
9	54506	TAPERED ROLLER BEARING, 1.75 BORE	4
10	93129	WASHER	4
11	YPCT08007	COTTER PIN, 1/4 X 2	4
12	YNSL36010	NUT SLOT, 1-1/4-12 NA G5	4
13	93130	GASKET	4
14	93131	HUB CAP	4
15	YBHH10105	BOLT HEX, 3/4 X 1/2 G5	16
16	YPEX16020	EXPANSION PIN, 1/2 X 4	4
17	YWLO10005	WASHER LOCK, 5/16	16
18	YBSD24010	BOLT STUD, 3/4 X 2-3/4	40
19	YNWL24005	NUT HEX, FLANGE, 3/4	40
20	59595	TANDEM AXLE, LH	1
21	90196	TIRE AND WHEEL ASSEMBLY, LH	2
22	90204	TIRE AND WHEEL ASSEMBLY, RH	2
23	FBC36	TIRE, 600/50 22.5 16PLY	1
24	90190	WHEEL, 22.5 X 20.0 10B	1
25	72437	VALVE STEM	1









H&S MFG. CO.  
products approved  
for the  
FEMA  
SEAL OF QUALITY



Manufactured by:  
H&S MANUFACTURING CO., INC.  
2608 S. HUME AVE. MARSHFIELD, WI 54449  
(715) 387-3414 | hsmfgco.com

