



HPH4255

MANURE SPREADER

PARTS BOOK

Part # 88979

HSMFG021721

Rev. #00

Starting Ser. #122HP55001

STRONG HERITAGE - STRONG PEOPLE - STRONGER FUTURE

CONTENTS

Instructions for Ordering Parts	1
Figure 1 - Hitch & Components	2-3
Figure 2 - Floor & Side Components	4-5
Figure 3 - PTO Shield & Components	6-7
Figure 4 - Pusher & Components	8-9
Figure 5 - Pusher Extension & Components	10-11
Figure 6 - Pusher Spacers & Components	12-13
Figure 7 - Gearbox Drive & Components	14-15
Figure 8 - Hydraulics	16-17
Figure 9 - Tandem Axle & Wheel Components	18-19
Figure 10 - Endgate & Components	20-21
Figure 11 - Beater Panels & Components	22-23
Figure 12 - Beaters & Components	24-25
Figure 13 - Beater Sprockets & Components	26-27
Figure 14 - Lights	28-29
Figure 15 - Gearbox	30-31
Figure 16 - Optional Flow Control (HPOVSC).	32-33
Figure 17 - Optional Pan & Components (MSHPOPAN)	34-35
Figure 18 - Optional Variable Speed Control (HPOVSEC).	36-37
Figure 19 - HPO1034CV PTO	38-39
Figure 20 - HPO1038CV PTO	40-41
Figure 21 - Optional TWP600S (HPOHTA550)	42-43
Parts Notes	44

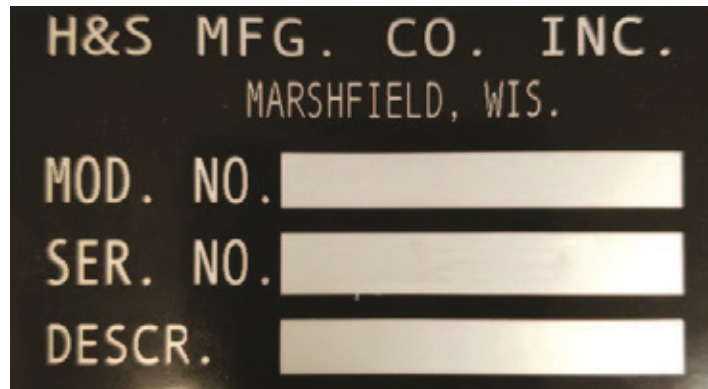
INSTRUCTIONS FOR ORDERING PARTS

All service parts should be ordered through your authorized H&S dealer. He will be able to give you faster service if you will provide them with the following:

1. Model & Serial Number - Both can be located on the front, left side of the PTO bearing support mount.
2. All references to left or right apply to the machine as viewed from the rear.
3. Parts should not be ordered from illustration only. Please order complete part number.
4. If your dealer has to order parts - give shipping instructions:

VIA truck - large pieces (please specify local truck lines)

VIA United Parcel Service (include full address)



PLEASE RECORD NUMBERS FOR YOUR UNIT FOR QUICK REFERENCE

ABOUT IMPROVEMENTS

H&S IS CONTINUALLY STRIVING TO IMPROVE ITS PRODUCTS

We must, therefore, reserve the right to make improvements or changes whenever it becomes practical to do so, without incurring any obligation to make changes or additions to the equipment previously sold.

FIGURE 1 **HITCH & COMPONENTS**

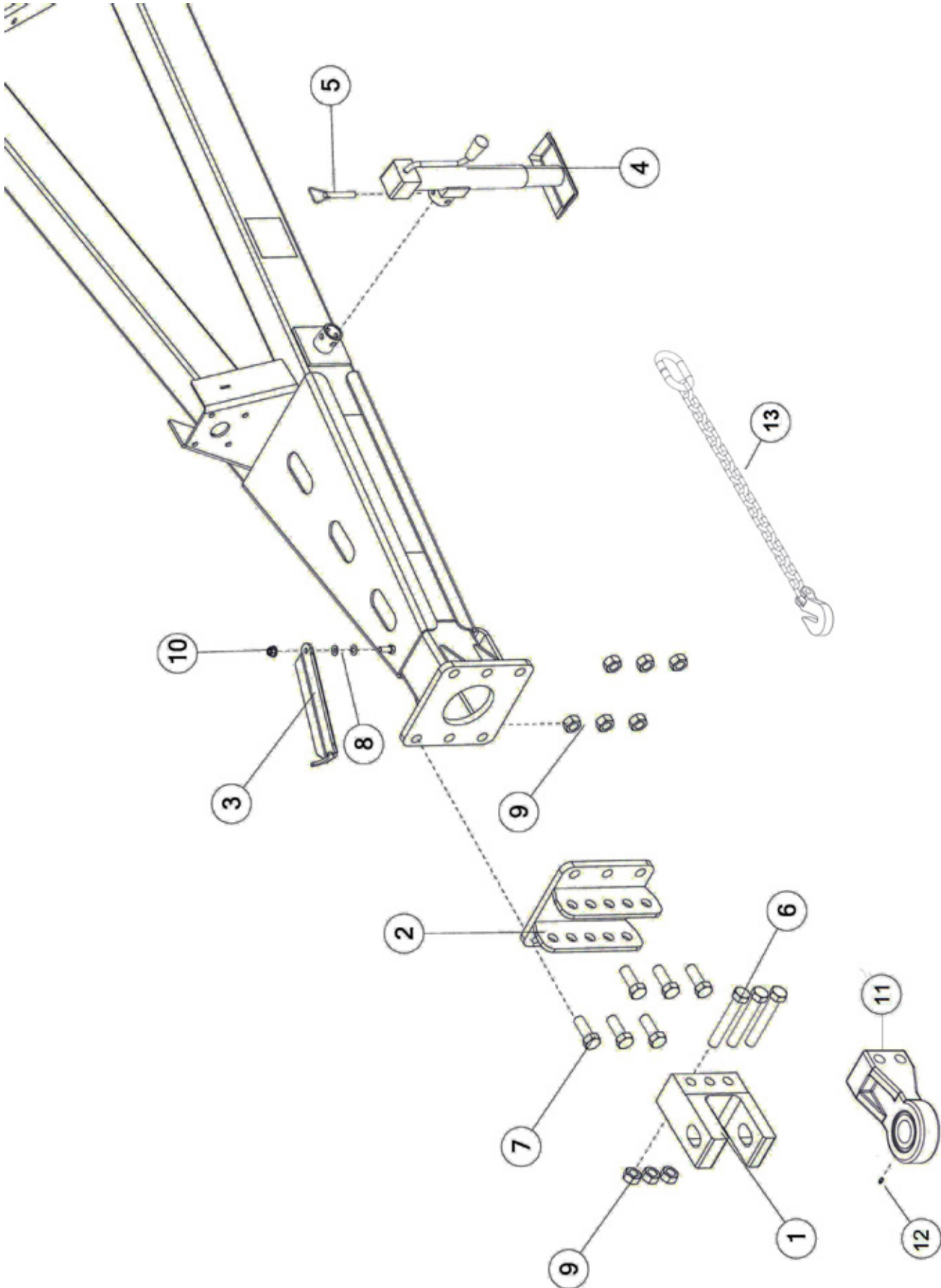


FIGURE 1

HITCH & COMPONENTS

<u>ITEM</u>	<u>QTY</u>	<u>PART#</u>	<u>DESCRIPTION</u>
1	1	56310	HEAVY CLEVIS OPTION
2	1	89538	HITCH MOUNT
3	1	42N2	PTO HOLDER
4	1	27N49	JACK W/MOUNT-5000# SW 10" LIFT
5	1	12N117	PIN, 0.56, 5.19, JACK
6	3	YBHH32028	BOLT HEX, 1-8 X 6-1/2 G8 ZY
7	6	YBHH32006	BOLT HEX, 1-8 X 2-3/4 G5
8	2	42N3	SPRING
9	9	YNL32005	NUT HEX, 1-8 LKTL C ZC
10	1	YNFG16003	NUT FLANGE, 1/2 GF
11	1	58290	ARTICULATING HITCH OPTION
12	1	G89	STRAIGHT ZERK, 1/4
13	1	SC40500	SAFETY CHAIN, 40,500 LB RATING, OPTIONAL

FIGURE 2 FLOOR & SIDE COMPONENTS

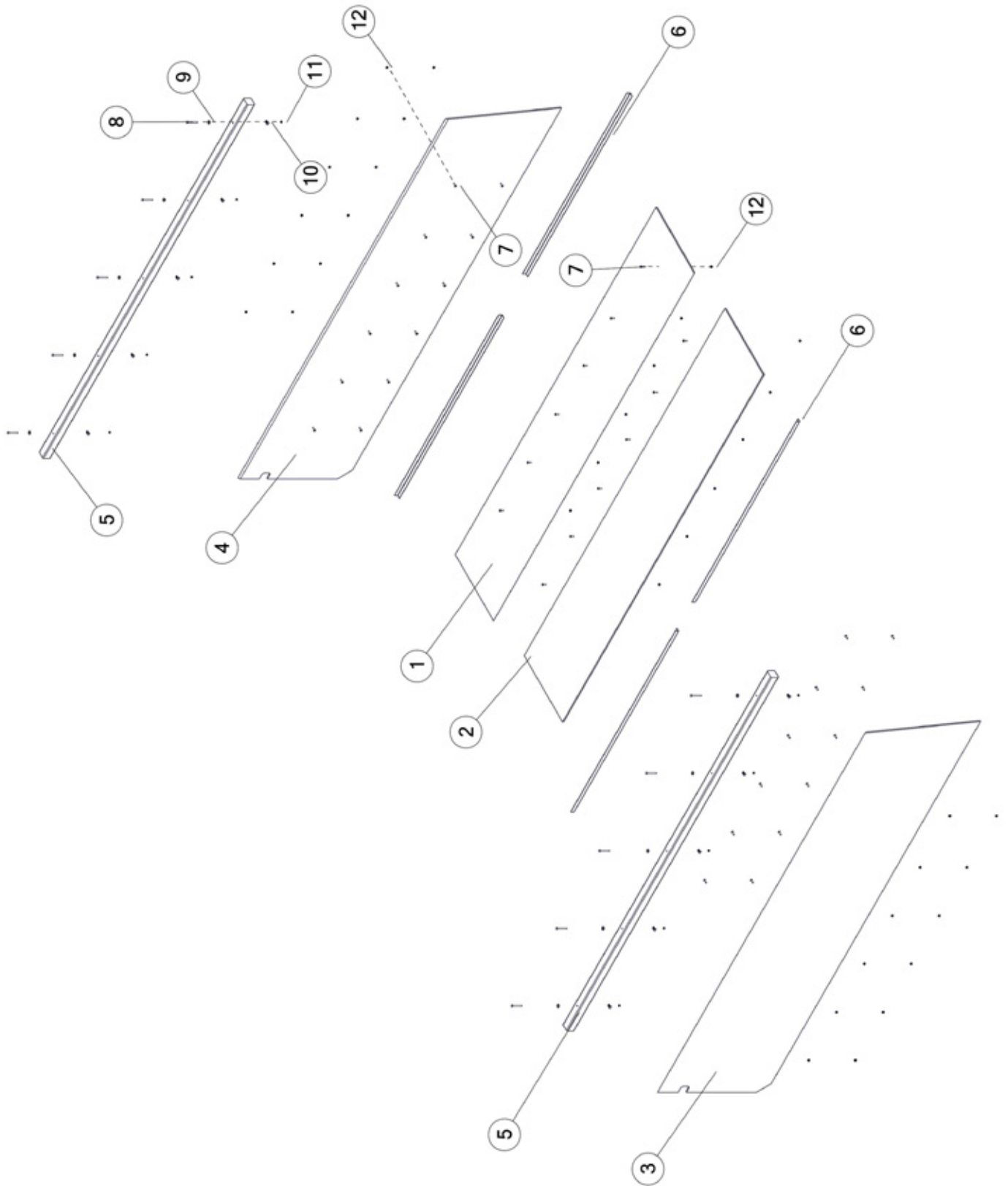


FIGURE 2

FLOOR & SIDE COMPONENTS

<u>ITEM</u>	<u>QTY</u>	<u>PART#</u>	<u>DESCRIPTION</u>
1	1	42N10	FLOOR POLY RH
2	1	42N11	FLOOR POLY LH
3	1	55N5	SIDE POLY LH
4	1	55N4	SIDE POLY RH
5	2	90592	POLY TOP RAIL
6	4	89814	POLY SIDE ANGLE
7	50	YSFS12016	BOLT FLAT SOK, 3/8-16 X 1-1/2 ZC
8	10	YBCR12105	BOLT CARRIAGE, FT, 3/8-16 X 4-1/2 G5 ZC
9	10	YWFL16005	WASHER FLAT, 1/2 USS
10	10	HGV162	CUSHION WIRE CLAMP 1/2
11	10	YNHX12005	NUT HEX, 3/8-16 NAA ZC
12	47	YNFG12006	NUT FLANGE, 3/8 GF

FIGURE 3 PTO SHIELD & COMPONENTS

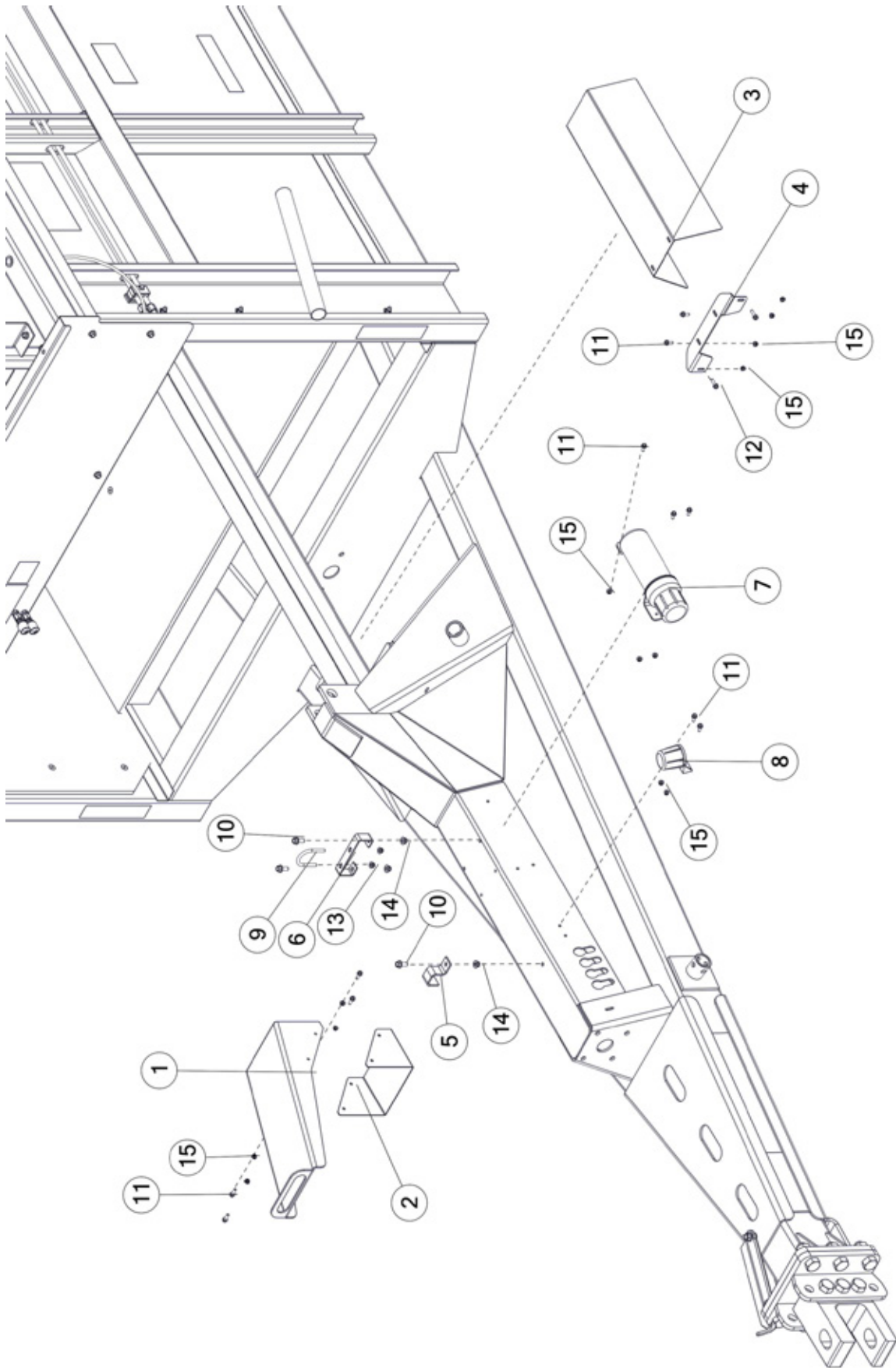


FIGURE 3

PTO SHIELD & COMPONENTS

<u>ITEM</u>	<u>QTY</u>	<u>PART#</u>	<u>DESCRIPTION</u>
1	1	90164	PTO SHIELD
2	1	90168	LOWER PTO SHIELD
3	1	89564	INPUT SHIELD
4	1	88927	INPUT SHIELD ANGLE
5	1	HE14	SMALL PIPE BRACKET
6	1	89639	HOSE HOLDER
7	1	S522	MANUAL HOLDER
8	1	CHM38	PLUG STORAGE
9	1	YBPU10007	PIPE U BOLT, 5/16 X 1-1/2
10	3	YBFB12003	BOLT FLANGE, 3/8 X 1 G5
11	11	YBFB08075	BOLT FLANGE, 1/4 X 3/4 G5
12	12	YBFB08100	BOLT FLANGE, 1/4 X 1 G5
13	2	YNFG10005	NUT FLANGE, 5/16 GF
14	3	YNFG12006	NUT FLANGE, 3/8 GF
15	13	YNFG08010	NUT FLANGE, 1/4 GF

FIGURE 4
PUSHER COMPONENTS

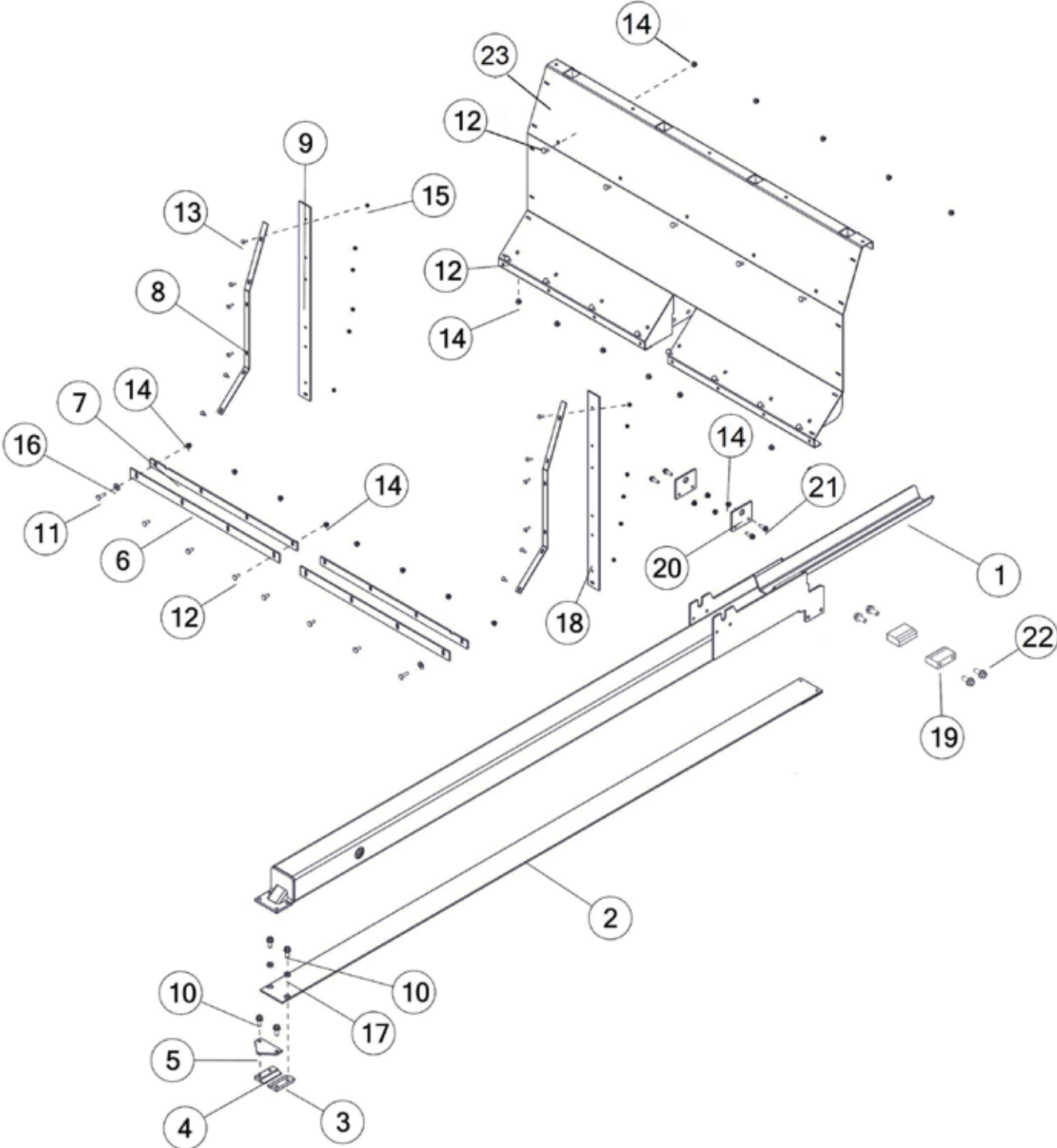


FIGURE 4

PUSHER COMPONENTS

<u>ITEM</u>	<u>QTY</u>	<u>PART#</u>	<u>DESCRIPTION</u>
1	1	55N44	MOVEABLE FLOOR
2	1	55N85	PUSHER TUBING SLIDE
3	1	55N48	END CAP CLAMP RH
4	1	55N49	END CAP CLAMP LH
5	1	55N86	SCRAPER
6	2	55N83	PUSHER BOTTOM RUBBER
7	2	55N81	PUSHER WIPER
8	2	55N25	PUSHER RUBBER STRAP
9	1	55N27	PUSHER RUBBER LH
10	4	YBFB16125	BOLT FLANGE, 1/2 X 1-1/4 G5
11	8	YBCR12015	BOLT CARRIAGE, 3/8-16 X 1-1/2 G5 ZC
12	13	YBCR12010	BOLT CARRIAGE, 3/8-16 X 1 G5 ZC
13	12	YBCR08005	BOLT CARRIAGE, 1/4-20 X 1 G5 ZC
14	25	YNFG12006	NUT FLANGE, 3/8 GF
15	12	YNFG08010	NUT FLANGE, 1/4 GF
16	2	YWFL14005	WASHER FLAT, 7/16 USS ZINC
17	2	42N150	POLY SPACER
18	1	55N28	PUSHER RUBBER RH
19	2	55N46	PUSHER FRONT GUIDE
20	2	55N47	CYLINDER RETAINER
21	4	YBFB120125	BOLT FLANGE, 3/8 X 1-1/4 G5
22	4	YBFB20150	BOLT FLANGE, 5/8 X 1-1/2 G5
23	1	90095	PUSHER

FIGURE 5
PUSHER EXTENSION & COMPONENTS

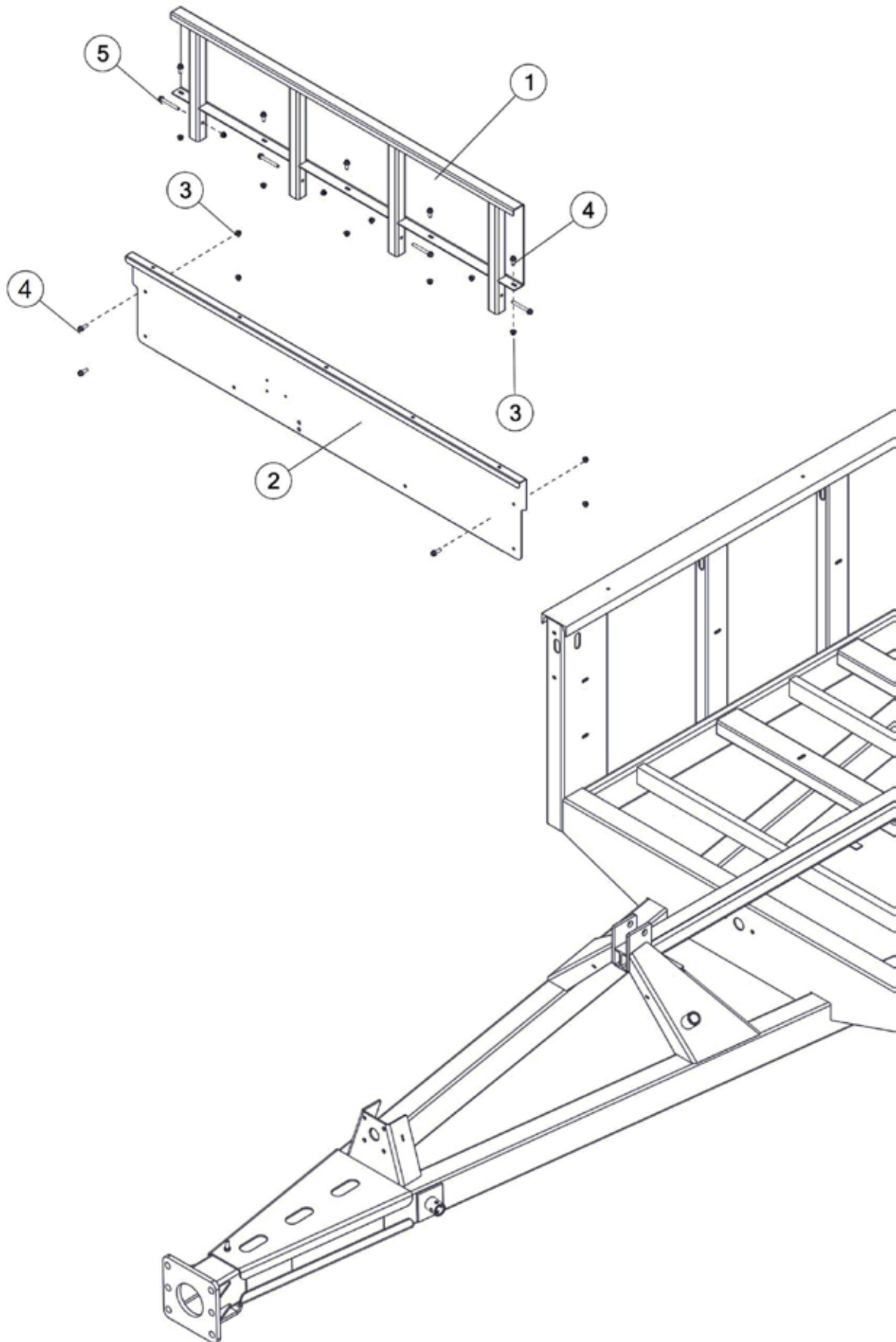


FIGURE 5
PUSHER EXTENSION & COMPONENTS

<u>ITEM</u>	<u>QTY</u>	<u>PART#</u>	<u>DESCRIPTION</u>
1	1	90065	PUSHER EXTENSION
2	1	89640	FRONT PANEL
3	13	YNFG12006	NUT FLANGE, 3/8 GF
4	9	YBFB12003	BOLT FLANGE, 3/8 X 1 G5 ZC
5	4	YBFB12350	BOLT FLANGE, 3/8 X 3-1/2 G5

FIGURE 6 **PUSHER SPACERS & COMPONENTS**

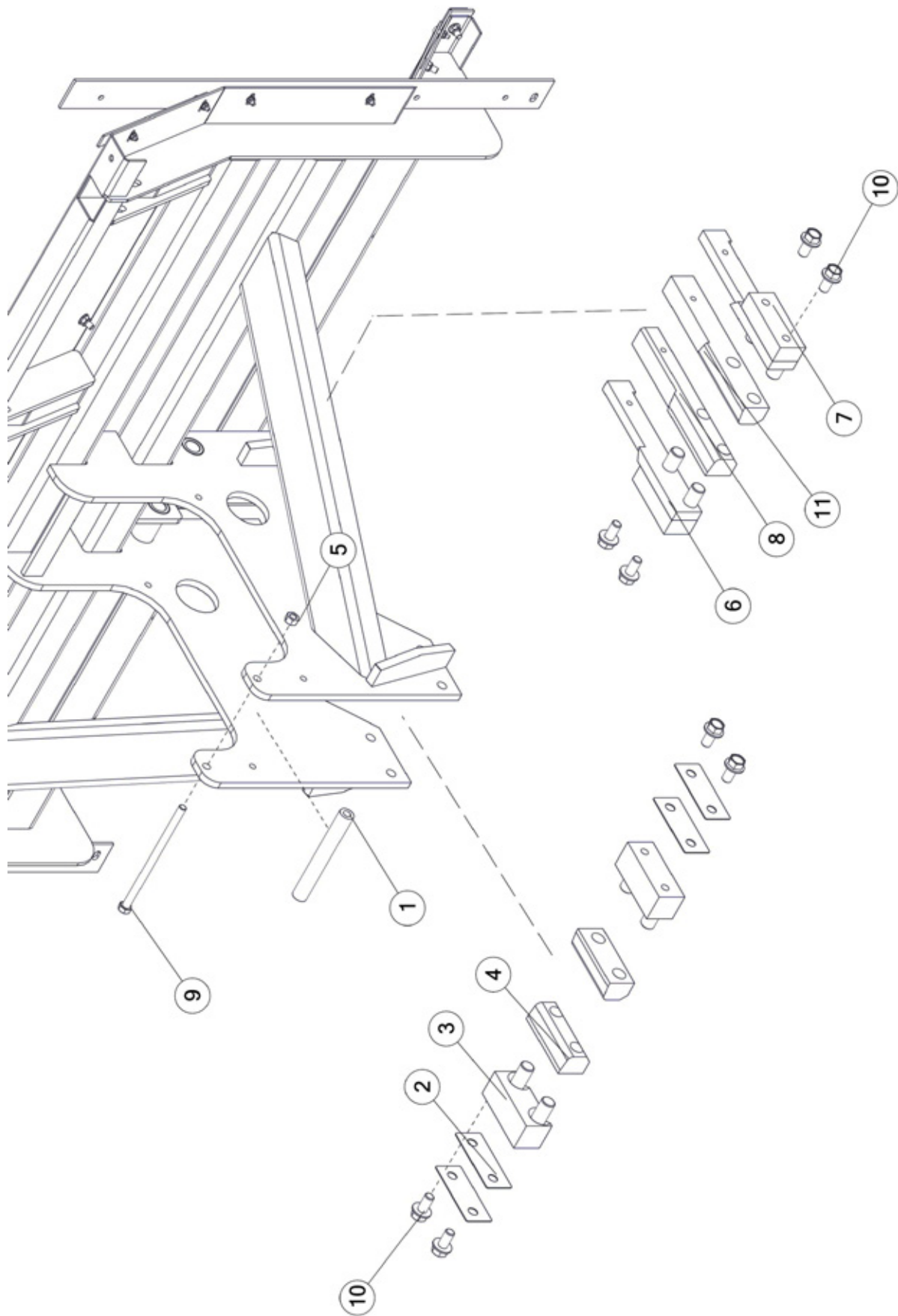


FIGURE 6
PUSHER SPACERS & COMPONENTS

<u>ITEM</u>	<u>QTY</u>	<u>PART#</u>	<u>DESCRIPTION</u>
1	1	55N59	PUSHER SPACER
2	4	42N114	PUSHER SHIM
3	2	55N52	POLY BLOCK SPACER FRONT
4	2	55N53	PUSHER POLY SLIDE
5	1	YNL16005	NUT HEX, TOP LOCK, 1/2 G5
6	1	55N54	POLY BLOCK EXTENSION RH
7	1	55N57	POLY BLOCK EXTENSION LH
8	1	55N55	PUSHER POLY SLIDE RH
9	1	YBHH16200	BOLT HEX, 1/2-13 X 10 G5 ZC
10	8	YBFB20125	BOLT FLANGE, 5/8 X 1-1/4 G5
11	1	55N56	PUSHER POLY SLIDE LH

FIGURE 7 **GEARBOX DRIVE & COMPONENTS**

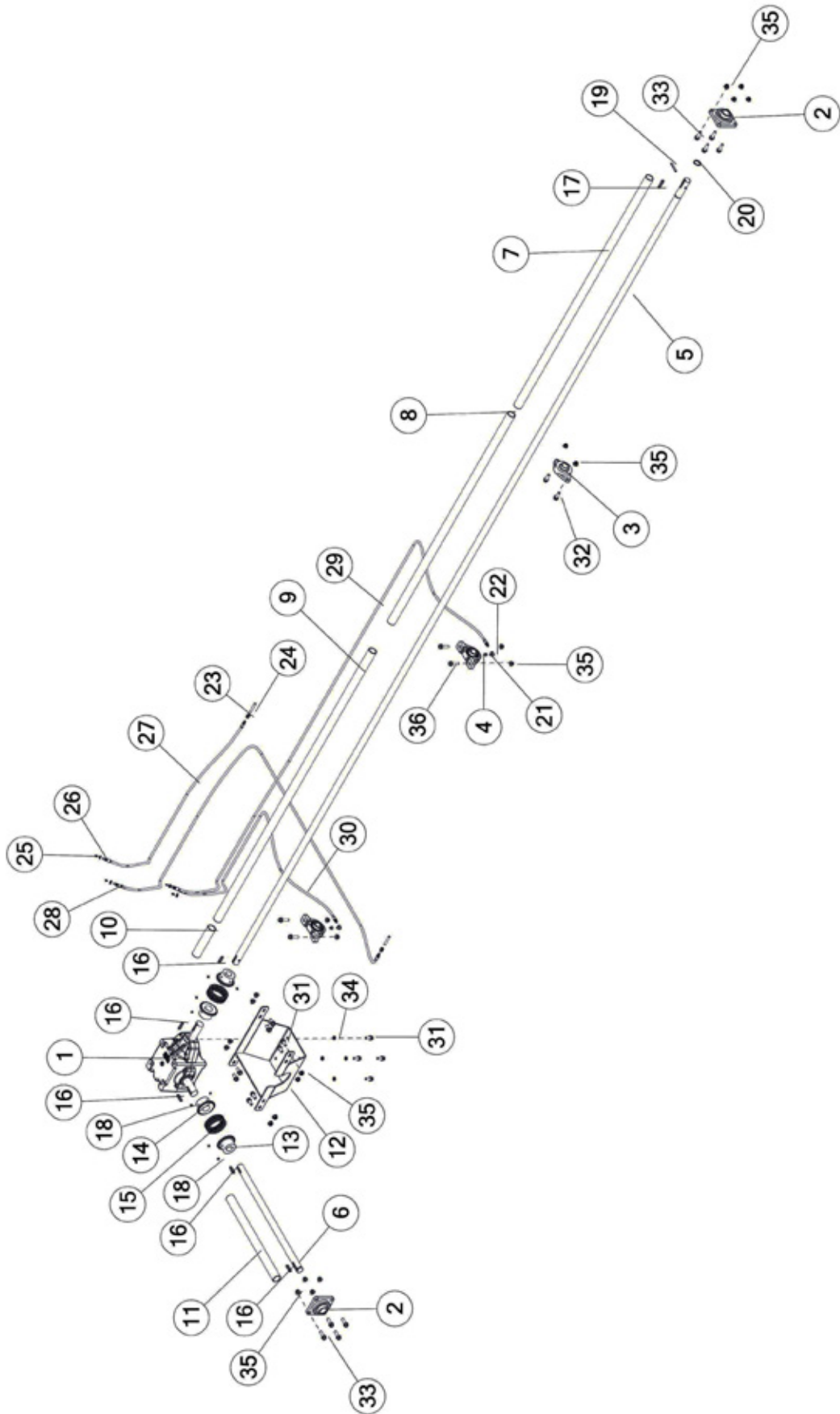


FIGURE 7

GEARBOX DRIVE & COMPONENTS

<u>ITEM</u>	<u>QTY</u>	<u>PART#</u>	<u>DESCRIPTION</u>
1	1	89515	COMPLETE GEARBOX
2	2	12V99	BRG, 5.13 X 1.50 X 2.02, FLANGE
3	1	42N18	PILLOW BLOCK BEARING W/STRAIGHT, 1-1/2
4	2	60659	BEARING
5	1	87954	INPUT SHAFT
6	1	56783	CROSS SHAFT - FOR CLUTCH
7	1	42N16	INPUT PVC SHIELD
8	1	42N19	DRIVE SHAFT CENTER PVC SHIELD
9	1	89518	DRIVE SHAFT MIDDLE PVC SHIELD
10	1	87955	DRIVE SHAFT BACK PVC SHIELD
11	1	42N23	CROSS SHAFT PVC SHIELD
12	1	89568	GEARBOX MOUNT
13	2	42N24	SPROCKET 50-B-20 1-1/2 BORE
14	2	42N25	SPROCKET 50-B-20 1-3/4 BORE
15	2	HGV124	CONNECTOR CHAIN #50 X 20
16	4	56N174	SQUARE KEY, 3/8 X 2
17	1	S138	SQUARE KEY, 3/8 X 2-3/8
18	8	YSKP12025	SET SCREW, SOCKET, KNURLED CUP PT, 3/8"-16 X 3/8"
19	1	YPEX12023	EXPANSION PIN, 3/8 X 2-1/2
20	1	12V62	HEAVY DUTY EXTERNAL SNAP RING, 1-1/2
21	2	TS323	FITTING STRAIGHT, 1/4-28, 1/8-27NPT
22	2	58453	FITTING, 90, 1/8NPT, 1/8NPT
23	2	88827	FITTING STRAIGHT, 1/8NPT, 1/8NPT
24	2	66077	NIPPLE, 1/8 MALE PIPE X 2-1/2
25	4	G89	STRAIGHT ZERK, 1/2-28
26	4	YNJM04005	NUT JAM, 1/8 A
27	1	89730	GREASE HOSE, 3, 65
28	1	89728	GREASE HOSE, 3, 134
29	1	89725	GREASE HOSE, 3, 161
30	1	89723	GREASE HOSE, 3, 77
31	12	YBFB16125	BOLT FLANGE, 1/2 X 1-1/4 G5
32	2	YBFB16150	BOLT FLANGE, 1/2 X 1-1/2 G5
33	8	YBFB16175	BOLT FLANGE, 1/2 X 1-3/4 G5
34	4	YWLO16005	WASHER LOCK, 1/2
35	22	YNFG16003	NUT FLANGE, 1/2 GF
36	4	YBFB16200	BOLT FLANGE, 1/2 X 2 G5

FIGURE 8 HYDRAULICS

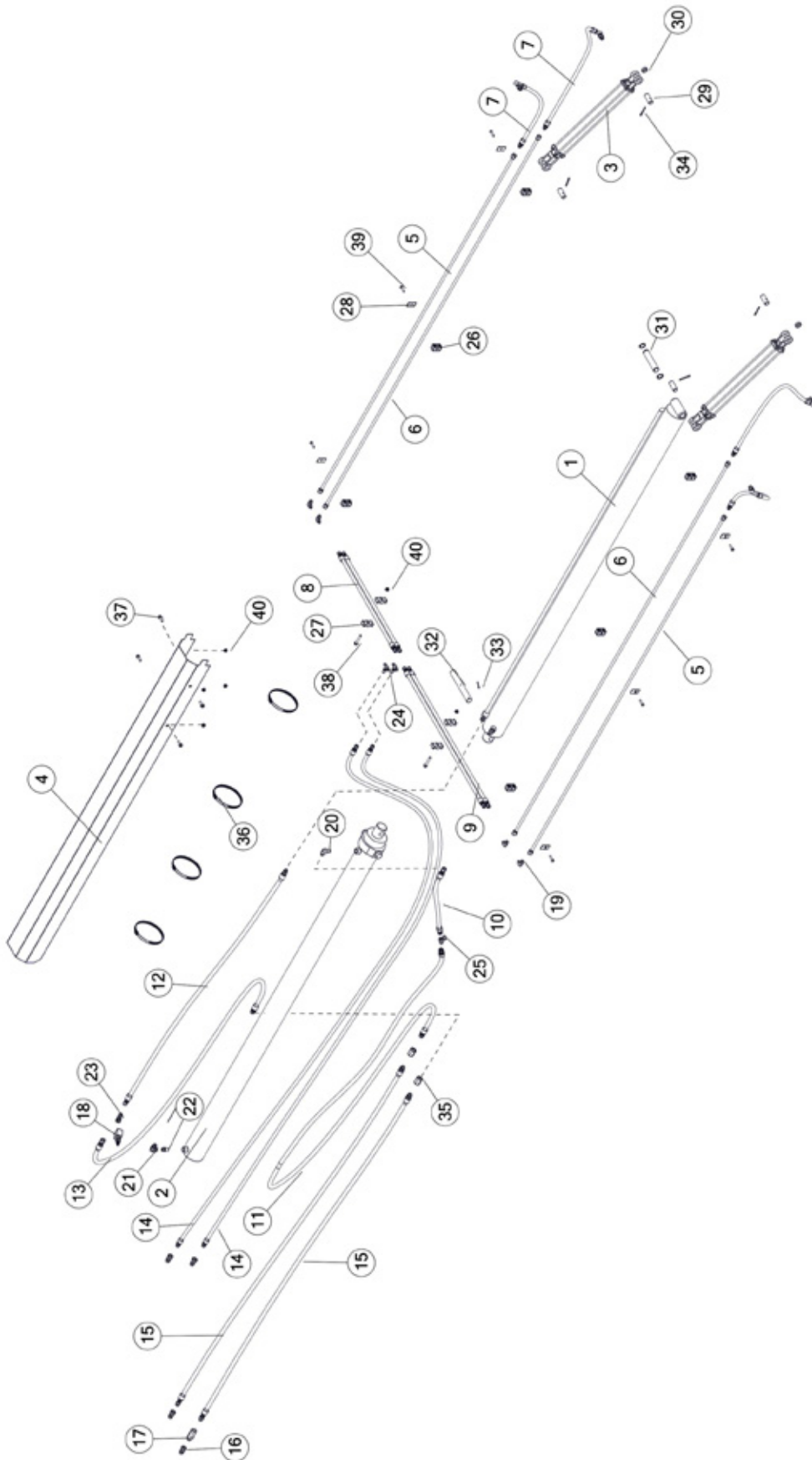


FIGURE 8 HYDRAULICS

<u>ITEM</u>	<u>QTY</u>	<u>PART#</u>	<u>DESCRIPTION</u>
1	1	55N33	HYDRAULIC CYLINDER, TRUNNION 4.5 X 90
2	1	55N32	HYDRAULIC CYLINDER, GIMBAL 4.5 X 90
3	2	90970	HYDRAULIC CYLINDER, 2 X 20
4	1	88870	CYLINDER SHIELD
5	2	90973	HYDRAULIC TUBE, 1/2 X 108
6	2	89070	HYD TUBE, 1/2 X 10 FT
7	4	90972	HYDRAULIC HOSE, 6, 36
8	2	89635	HYDRAULIC HOSE, 6, 32IN
9	2	89632	HYDRAULIC HOSE, 6, 45IN
10	1	89654	HYDRAULIC HOSE, 8, 21IN
11	1	89665	HYDRAULIC HOSE, 8, 160IN
12	1	89652	HYDRAULIC HOSE, 8, 76IN
13	1	89659	HYDRAULIC HOSE, 8, 84IN
14	2	89629	HYDRAULIC HOSE, 6, 182IN
15	2	89662	HYDRAULIC HOSE, 8, 110IN
16	4	67148	FTG, ST, 8ORB, QUICK COUPLER TIP
17	1	89576	HYDRAULIC VALVE, CHECK
18	1	89573	HYDRAULIC VALVE, SEQUENCE
19	4	58187	FITTING 8-6 ETX-S
20	1	58189	FITTING, 90, 8JIC X 1/2NPT
21	1	1056	-8 ORB TO -8 ORB 90 DEG
22	1	TFM89	FITTING, STRAIGHT, 8ORB X 1/2NPT
23	1	89643	FITTING T, 8 JIC, 8 JIC, 8 ORB
24	1	8005	FITTING TEE, 8JIC X 8JIC X 8JIC, BULKHEAD
25	1	TS139	FITT T, 8JIC, 8JIC, 8JIC
26	6	TS118	LINE CLAMP BLOCK (PART OF T2008S)
27	4	86567	DOUBLE CLAMP, UNIVERSAL
28	6	56563	CLAMP TOP PLATE
29	4	56N141	CYLINDER PIN
30	2	K132	SPACER, 3/8 LONG
31	1	55N50	REAR CYLINDER PIN
32	1	55N34	CYLINDER PIN
33	1	YPCT05025	COTTER PIN, 5/32 X 2
34	4	YPCT07005	COTTER PIN, 7/32 X 2
35	2	90154	FITTING STRAIGHT, 10ORB, 10ORB
36	1	55N66	HOSE CLAMP SAE #104
37	4	YBFB12125	BOLT FLANGE, 3/8 X 1-1/4 G5
38	2	YBFB12250	BOLT FLANGE, 3/8 X 2-1/2 G5
39	6	56568	CLAMP BOLT 5/16-18 x 1-3/8
40	6	YNFG12006	NUT FLANGE, 3/8 GF

FIGURE 9
TANDEM AXLE AND WHEEL COMPONENTS

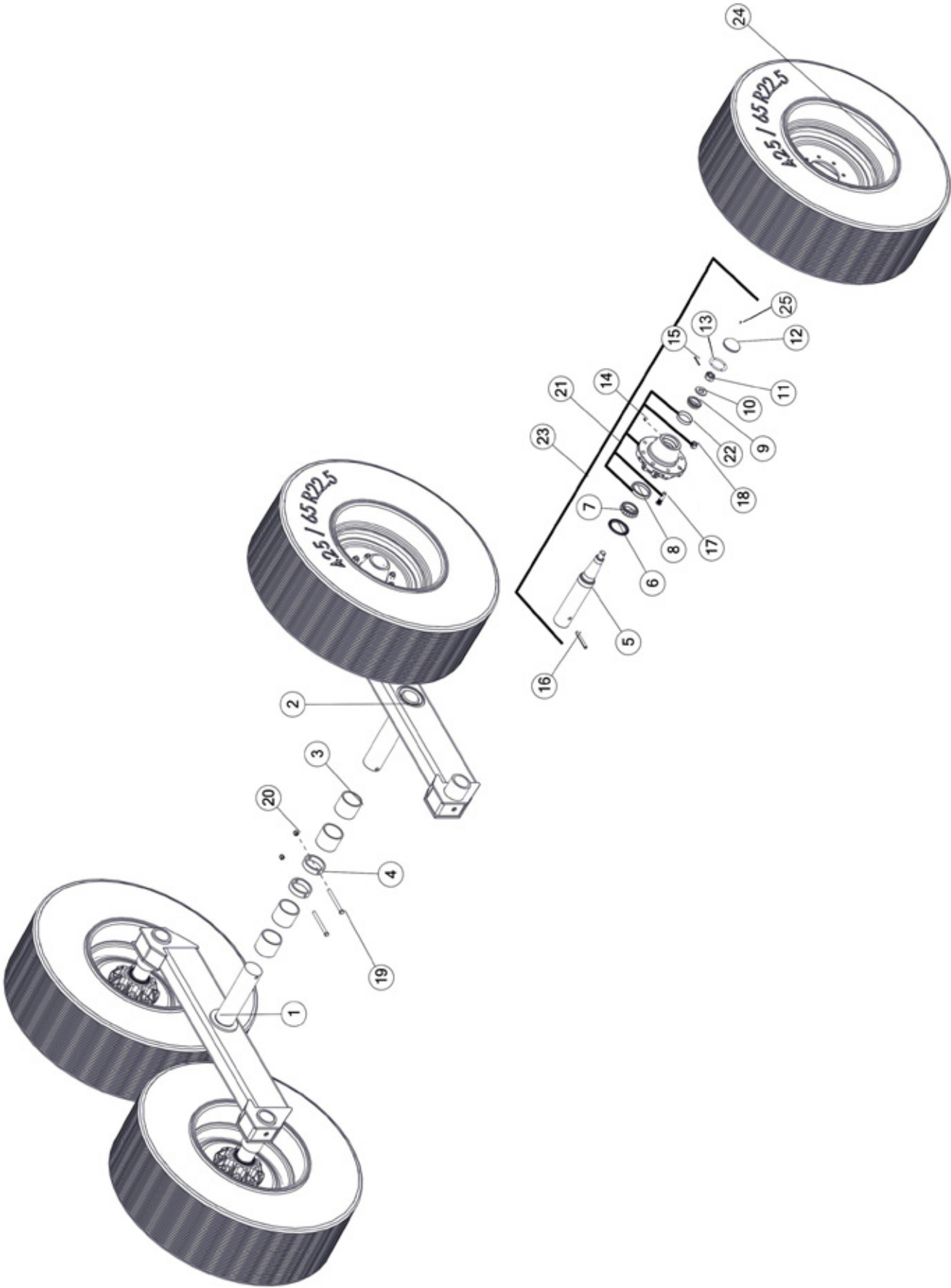


FIGURE 9

TANDEM AXLE AND WHEEL COMPONENTS

<u>ITEM</u>	<u>QTY</u>	<u>PART#</u>	<u>DESCRIPTION</u>
1	1	55N3	TANDEM AXLE RH
2	1	55N2	TANDEM AXLE LH
3	4	70157	BUSHING, NYLATRON, 4-1/2 OD X 4 ID X 3-1/4
4	2	16SV214	AXLE MOUNT COLLAR
5	4	66N15	SPINDLE
6	4	60N5	SEAL
7	4	54505	INNER BEARING KOYO
8	4	54504	INNER RACE KOYO
9	4	54506	OUTER BEARING KOYO
10	4	60N2	SPINDLE WASHER
11	4	YNCA36005	NUT HEX, CASTLE, 1-1/4
12	4	60N11	HUB CAP
13	4	56234	HUB CAP GASKET
14	4	BFR28	GREASE ZERK 1/8 NPT
15	4	YPCT07005	COTTER PIN, 7/32 X 2
16	4	YPEX16020	EXPANSION PIN, 1/2 X 4
17	40	YBSD24010	BOLT STUD, 3/4 UNF X 2-3/4
18	40	YNWL24005	NUT FLANGE , 3/4 G8
19	2	YBHH16165	BOLT HEX, 1/2 X 6 G5
20	2	YNNY16005	NUT HEX, NYLON LOCKNUT, 1/2
21	4	33SV45	HUB W/RACES & STUDS
22	4	54503	OUTER RACE
23	4	93123	HUB
24	1	TWP42510S	(4) 425 X 22.5 USED TRUCK TIRES W/ SILVER 10 BOLT RIMS
*	4	90195	ASSEMBLY, WHEEL AND TIRE
*	4	90188	WHEEL, 22.5 X 13.0 10 BOLT SILVER
*	4	16SV88	TIRE, 425 X 22.5
*	4	72438	VALVE STEM, 1-1/2
24	1	TWP480S	(4) 480/55R X 22.5 TIRES W/ SILVER 10 BOLT RIMS
*	4	90194	ASSEMBLY, TIRE AND WHEEL
*	4	90189	WHEEL, 22.5 X AG16 10 BOLT SILVER
*	4	77558	TIRE, 480/55R22.5
*	4	72436	VALVE STEM, 1-1/2
25	16	YBHH10020	BOLT HEX, 5/16 X 1/2 G5

FIGURE 10 ENDGATE & COMPONENTS

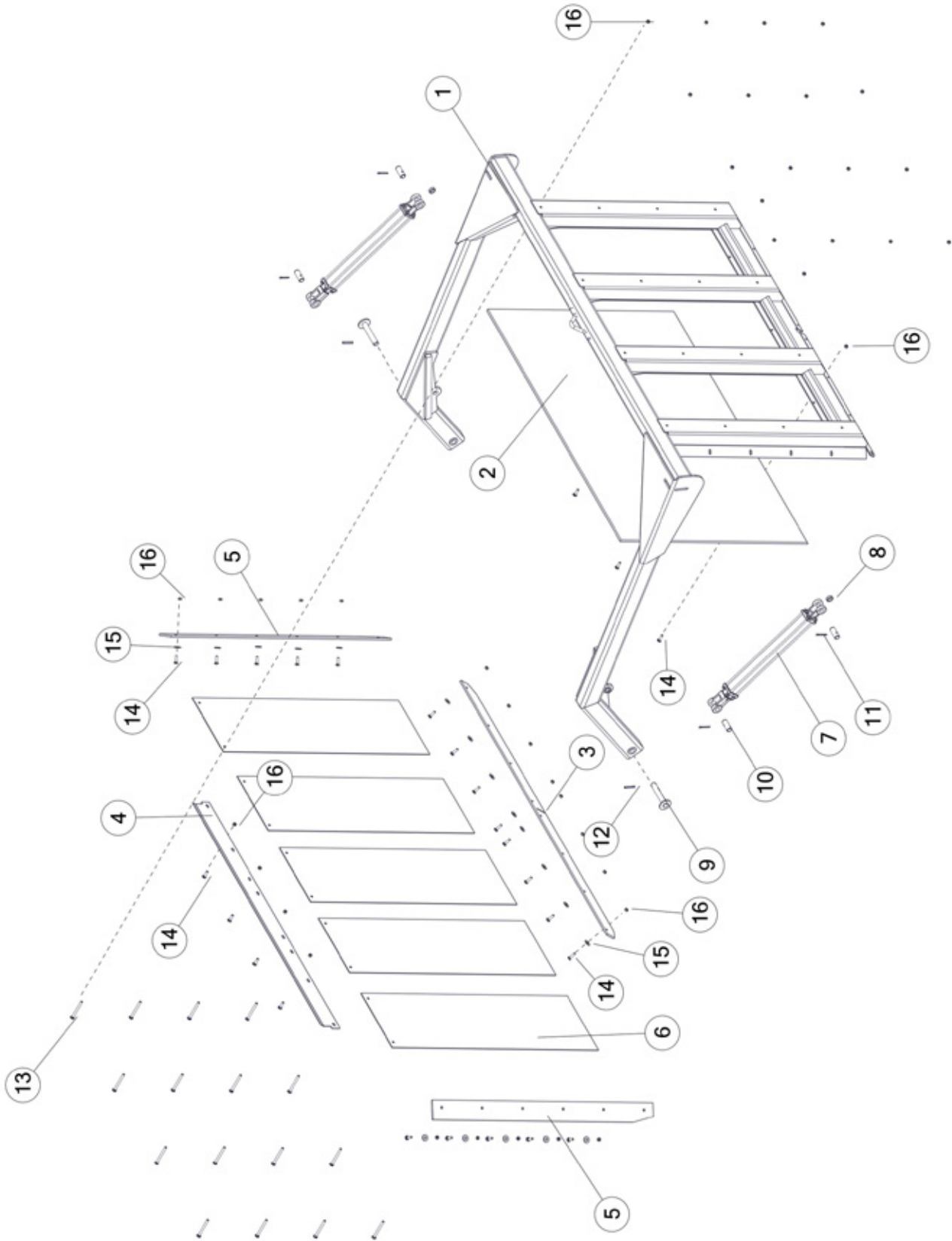


FIGURE 10

ENDGATE & COMPONENTS

<u>ITEM</u>	<u>QTY</u>	<u>PART#</u>	<u>DESCRIPTION</u>
1	1	55N9	ENDGATE
2	1	55N15	ENDGATE POLY
3	1	55N14	ENDGATE RUBBER
4	1	89823	ENDGATE POLY HOLD DOWN
5	2	55N13	ENDGATE RUBBER LEFT
6	5	55N88	ENDGATE CURTAIN BELTING
7	2	90970	HYDRAULIC CYLINDER, 2 X 20
*	1	23N142A	CLEVIS CAP
*	1	56174	ROD CAP
*	1	45N43	CYLINDER TUBE
*	2	23N149	PLUG
*	4	45N44	TIE ROD
*	1	56180	PISTON
*	1	45N42	CYLINDER ROD
*	1	23N150A	ROD CLEVIS
*	1	YSSO12015	SET SCREW SOCKET, 3/8 X 3/8
*	1	23N148	PISTON NUT
*	1	56187	SEAL KIT
*	8	YNHX12006	NUT HEX, 3/8 G2
8	2	K132	SPACER, 3/8 LONG
9	2	55N10	ENDGATE PIVOT PIN
10	4	56N141	SHAFT, RND, 1 X 2-1/2, PIN, CYLINDER
11	4	YPCT07005	COTTER PIN, 7/32 X 2
12	2	YPEX12020	EXPANSION PIN, 3/8 X 2
13	16	YBCR12105	BOLT CARRIAGE, FT, 3/8-16 X 4-1/2 G5 ZC
14	25	YBCR12015	BOLT CARRIAGE, 3/8-16 X 1-1/2 G5 ZC
15	18	YWFL16005	WASHER, FLAT, 1/2 USS
16	41	YNHX12005	NUT HEX, 3/8-16 NAA ZC

FIGURE 11 **BEATER PANELS & COMPONENTS**

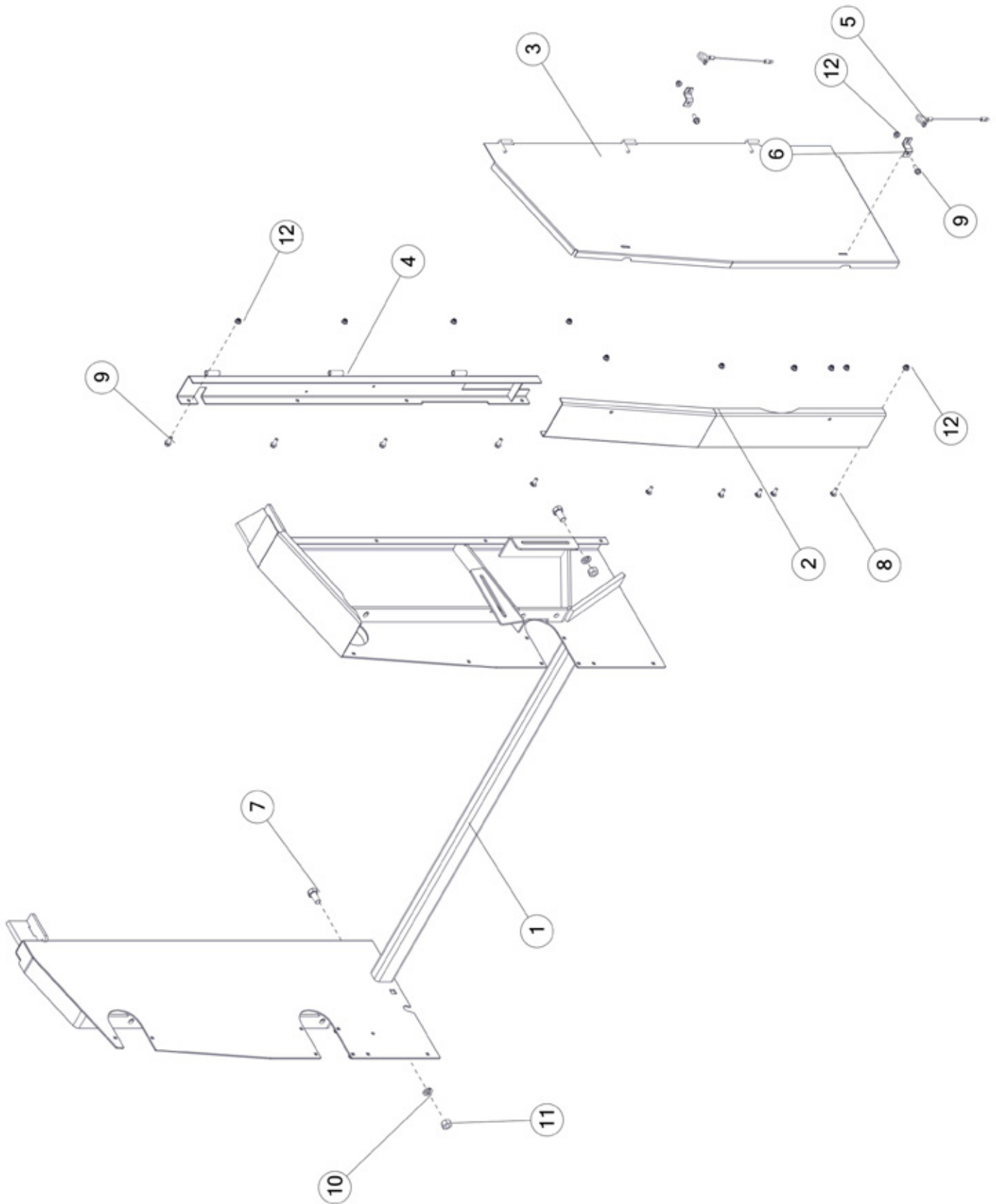


FIGURE 11

BEATER PANELS & COMPONENTS

<u>ITEM</u>	<u>QTY</u>	<u>PART#</u>	<u>DESCRIPTION</u>
1	1	55N16	BEATER PANEL
2	1	55N20	MAIN PANEL END, RH
3	1	55N21	REAR SHIELD
4	1	55N22	SHIELD FILLER
5	2	S122	LANYARD, CLIP PIN CABLE
6	2	84636	SHIELD LATCH
7	2	YBHH24010	BOLT HEX, 3/4 X 1-1/2 G5
8	6	YBCR12010	BOLT CARRIAGE, 3/8-16 X 1 G5 ZC
9	6	YBFB12003	BOLT FLANGE, 3/8 X 1 G5
10	2	YWLO24005	WASHER LOCK, 3/4
11	2	YNHX24005	NUT HEX, 3/4-10 NAA ZC
12	12	YNFG12006	NUT FLANGE, 3/8 GF

FIGURE 12 **BEATERS & COMPONENTS**

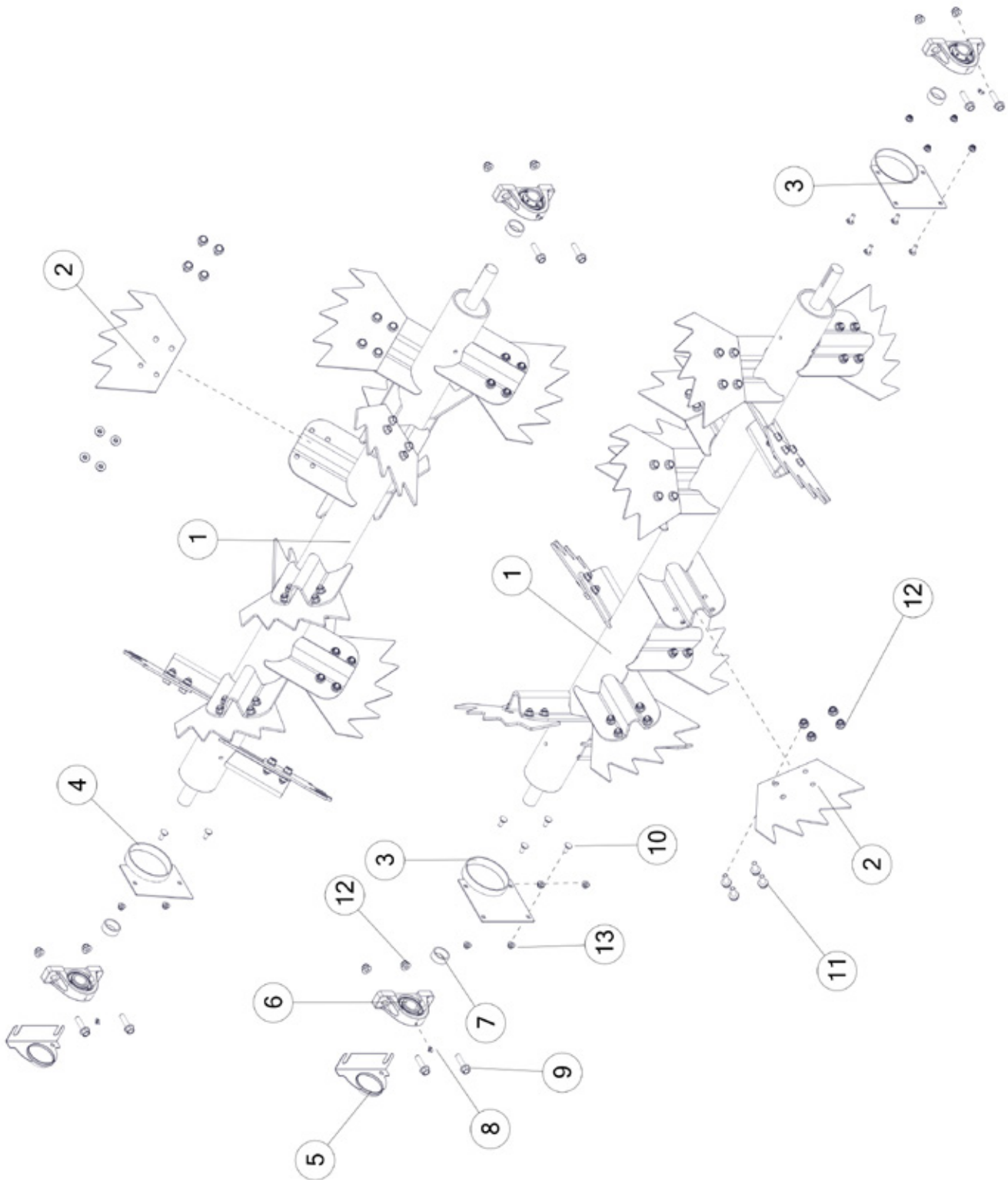


FIGURE 12

BEATERS & COMPONENTS

<u>ITEM</u>	<u>QTY</u>	<u>PART#</u>	<u>DESCRIPTION</u>
1	2	42N38	BEATER
2	24	23N277	BEATER BLADE-HARDENED
3	2	42N40	BEATER SLOT FILLER
4	1	55N18	SECOND BEATER SLOT FILLER
5	2	42N142	STUB SHAFT SHIELD
6	4	16SV72	PILLOW BLOCK BEARING W/ ZERK AT TOP
7	3	42N103	BEATER SPACER
8	3	RG51	ZERK, 90 DEGREE 1/4"-28
9	8	YBFB16200	BOLT FLANGE, 1/2 X 2 G5
10	10	YBCR12010	BOLT CARRAIGE, 3/8-16 X 1 G5 ZC
11	96	YBFB16125	BOLT FLANGE, 1/2 X 1-1/4 G5
12	104	YNFG16003	NUT FLANGE, 1/2 GF
13	10	YNFG12006	NUT FLANGE, 3/8 GF

FIGURE 13

BEATER SPROCKETS & COMPONENTS

<u>ITEM</u>	<u>QTY</u>	<u>PART#</u>	<u>DESCRIPTION</u>
1	1	42N56	CROSS SHAFT SHIELD
2	1	89760	SHEAR SPROCKET ASSEMBLY
3	1	16SV213	SPROCKET, 23T
4	1	55N19	WLDMT, HORIZONTAL BEATER SPKT
5	1	74563	ROLLER, CHAIN, 80 X 88
6	1	55N17	ROLLER CHAIN, #80, 82P
7	2	42N50	POLY CHAIN TIGHTENER
8	2	42N51	TIGHTENER STOP
9	2	56N174	SQUARE KEY, 3/8 X 2
10	1	42N141	SQUARE KEY, 3/8 X 2-1/4
11	5	YSKP12025	SET SCREW, SOCKET, KNURLED CUP PT, 3/8-16 X 3/8
12	1	12V62	HEAVY DUTY EXTERNAL SNAP RING, 1-1/2
13	1	YBHH12060	BOLT HEX, 3/8 X 1-3/4 G5
14	2	YBCR16035	BOLT CARRIAGE, 1/2-13 X 2-3/4 G5 ZC
15	2	YBCR16015	BOLT CARRIAGE, 1/2-13 X 1-1/4 G 5ZC
16	4	YNFG16003	NUT FLANGE, 1/2 GF
17	1	YNNY12005	NUT HEX, 3/8-16, LKNY G2 ZC
18	1	89758	SHEAR HUB
19	1	23N189	SNAP RING, EXTERNAL

FIGURE 14
LIGHTS

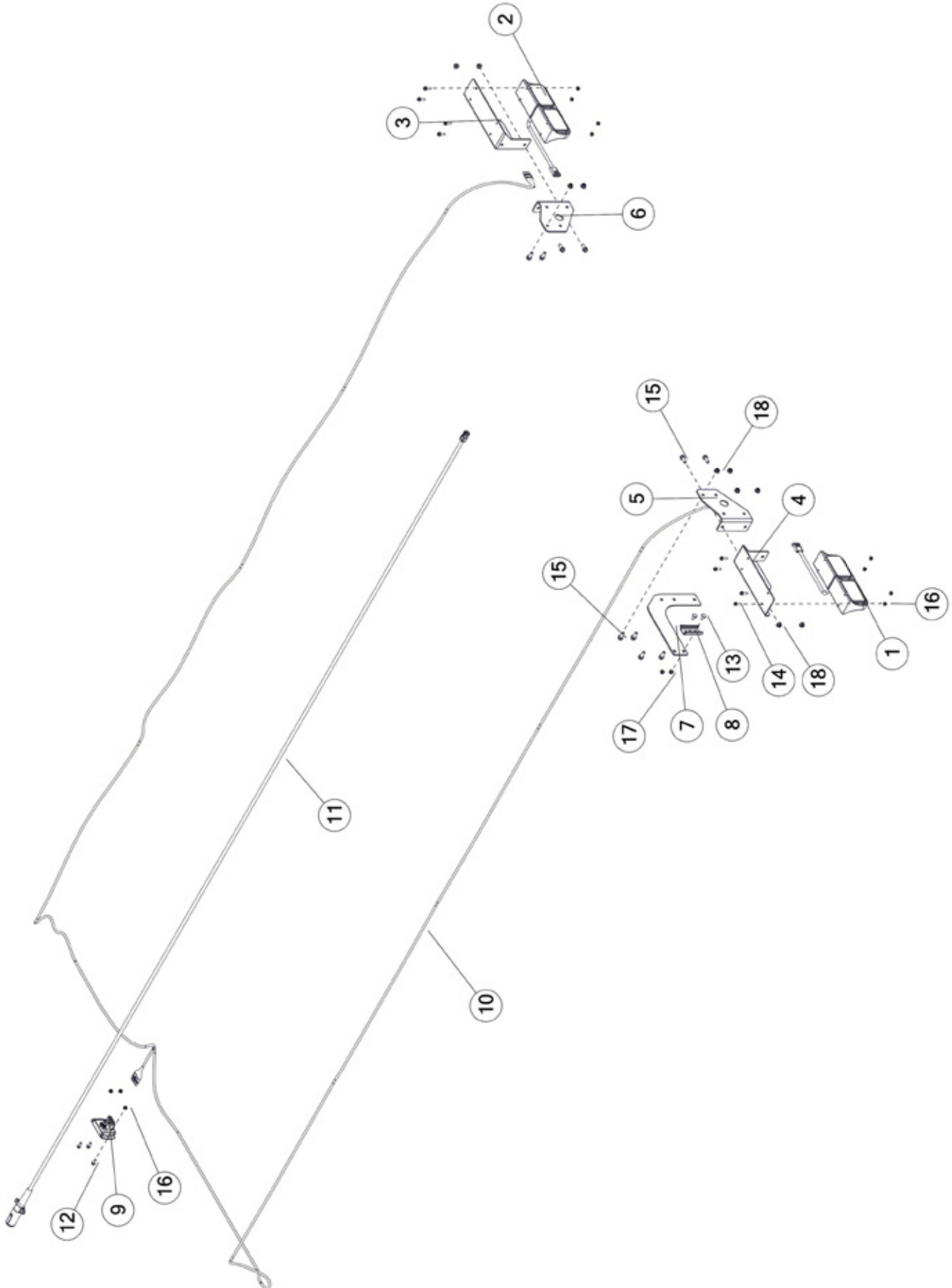


FIGURE 14 LIGHTS

<u>ITEM</u>	<u>QTY</u>	<u>PART#</u>	<u>DESCRIPTION</u>
1	1	TFM71	TAIL LIGHT, LH
2	1	TFM72	LED TAIL LIGHT ASSY, RH
3	1	90915	LIGHT BRACKET, RH
4	1	90914	LIGHT BRACKET, LH
5	1	90917	LIGHT BRACKET MOUNT, LH
6	1	90918	LIGHT BRACKET MOUNT, RH
7	1	42N43	SMV BRACKET
8	1	F97	SMV HOLDER
9	1	69908	MODULE, CONTROL, BLINKER
10	1	90927	ELECTRICAL HARNESS, TAILLIGHTS
11	1	1140	LIGHT HARNESS
12	3	YBFB08075	BOLT FLANGE, 1/4 X 3/4 G5
13	2	YBCR10030	BOLT CARRIAGE, 5/16-18 X 3/4 G5 ZC
14	8	YBFB08100	BOLT FLANGE, 1/4 X 1 G5
15	10	YBFB12003	BOLT FLANGE, 3/8 X 1 G5
16	11	YNFG08010	NUT FLANGE, 1/4 GF
17	2	YNFG10005	NUT FLANGE, 5/16 GF
18	10	YNFG12006	NUT FLANGE, 3/8 GF

FIGURE 15
GEARBOX

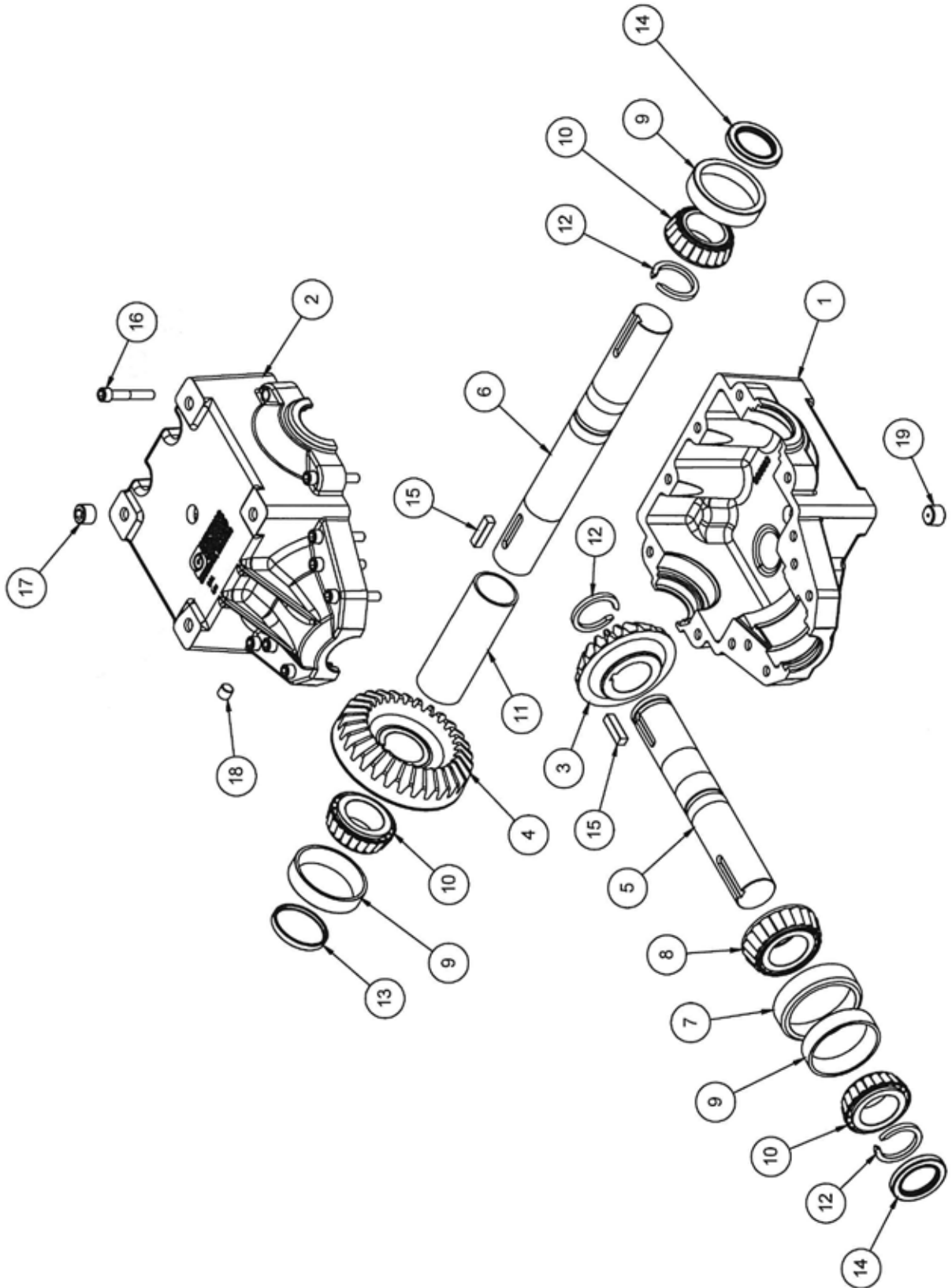


FIGURE 15 **GEARBOX**

<u>ITEM</u>	<u>QTY</u>	<u>PART#</u>	<u>DESCRIPTION</u>
1	1	HGV88	BOTTOM HOUSING
2	1	88365	HOUSING
3	1	88366	GEAR
4	1	88367	GEAR
5	1	90894	STUB SHAFT
6	1	88369	SHAFT
7	1	HGV112	BEARING CUP
8	1	HGV97	BEARING CONE
9	3	HGV92	BEARING CUP
10	3	HGV91	BEARING CONE
11	1	88370	SPACER
12	3	HGV98	RETAINING RING
13	1	HGV99	CAP
14	2	HGV93	OUTPUT SEAL
15	2	A32	SQUARE KEY W/ ROUND ENDS, 3/8 X 1-3/8
16	12	YSHS12012	SCREW SOCKET HEAD CAP, 3/8 X 2-1/4 G8
17	1	HGV95	PLUG, 1/2 NPT
18	1	88371	LEVEL PLUG
19	1	88372	VENT PLUG

FIGURE 16
OPTIONAL FLOW CONTROL (HPOVSC)

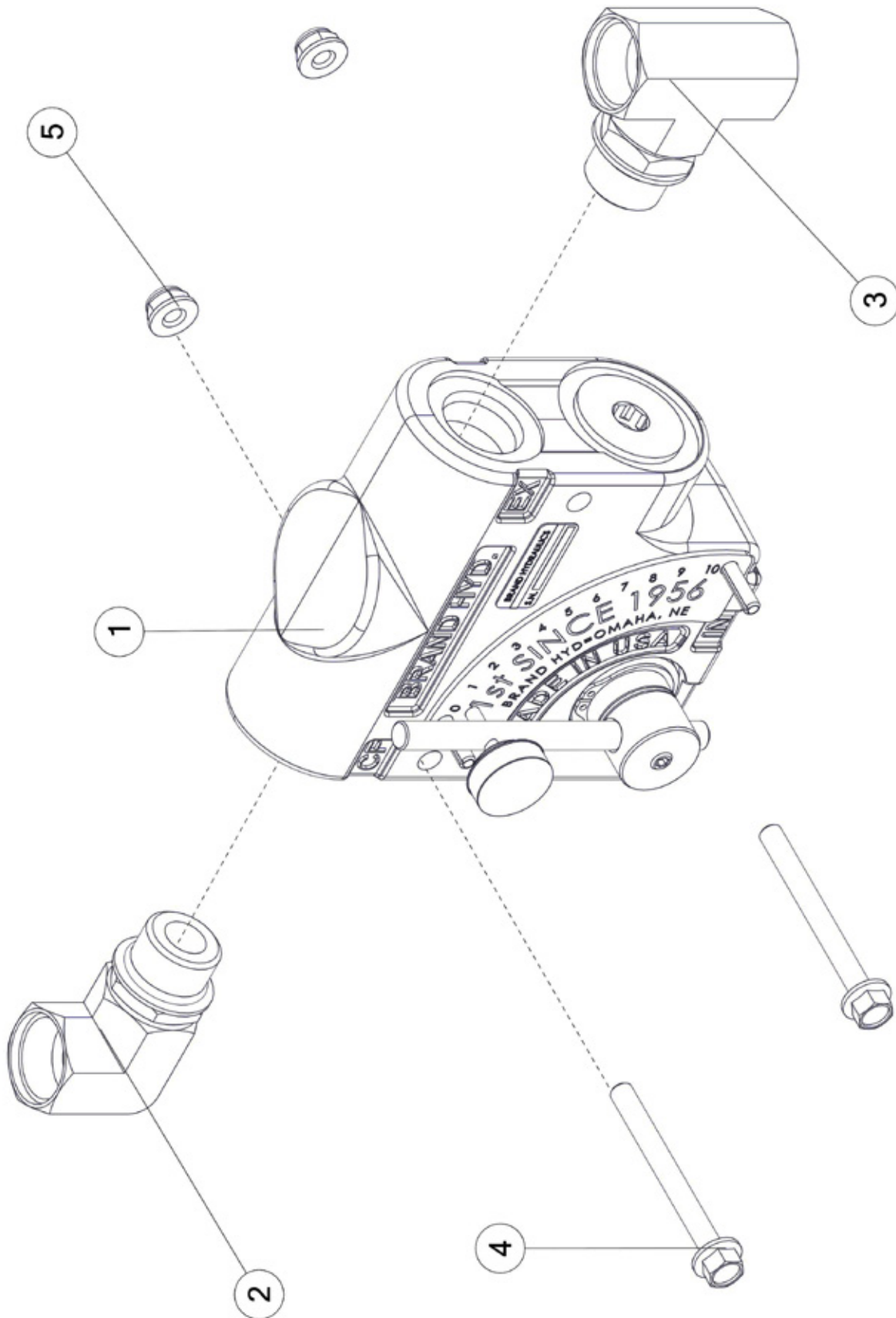


FIGURE 16
OPTIONAL FLOW CONTROL (HPOVSC)

<u>ITEM</u>	<u>QTY</u>	<u>PART#</u>	<u>DESCRIPTION</u>
1	1	89583	FLOW CONTROL
2	1	90157	FITTING 90, 10ORB, 10ORB
3	1	90158	FITTING T, 10ORB, 10ORB, 10ORB
4	2	YBFB08250	BOLT FLANGE, 1/4 X 2-1/2 G5
5	2	YNFG08010	NUT FLANGE, 1/4 GF

FIGURE 17
OPTIONAL PAN & COMPONENTS (MSHPOPAN)

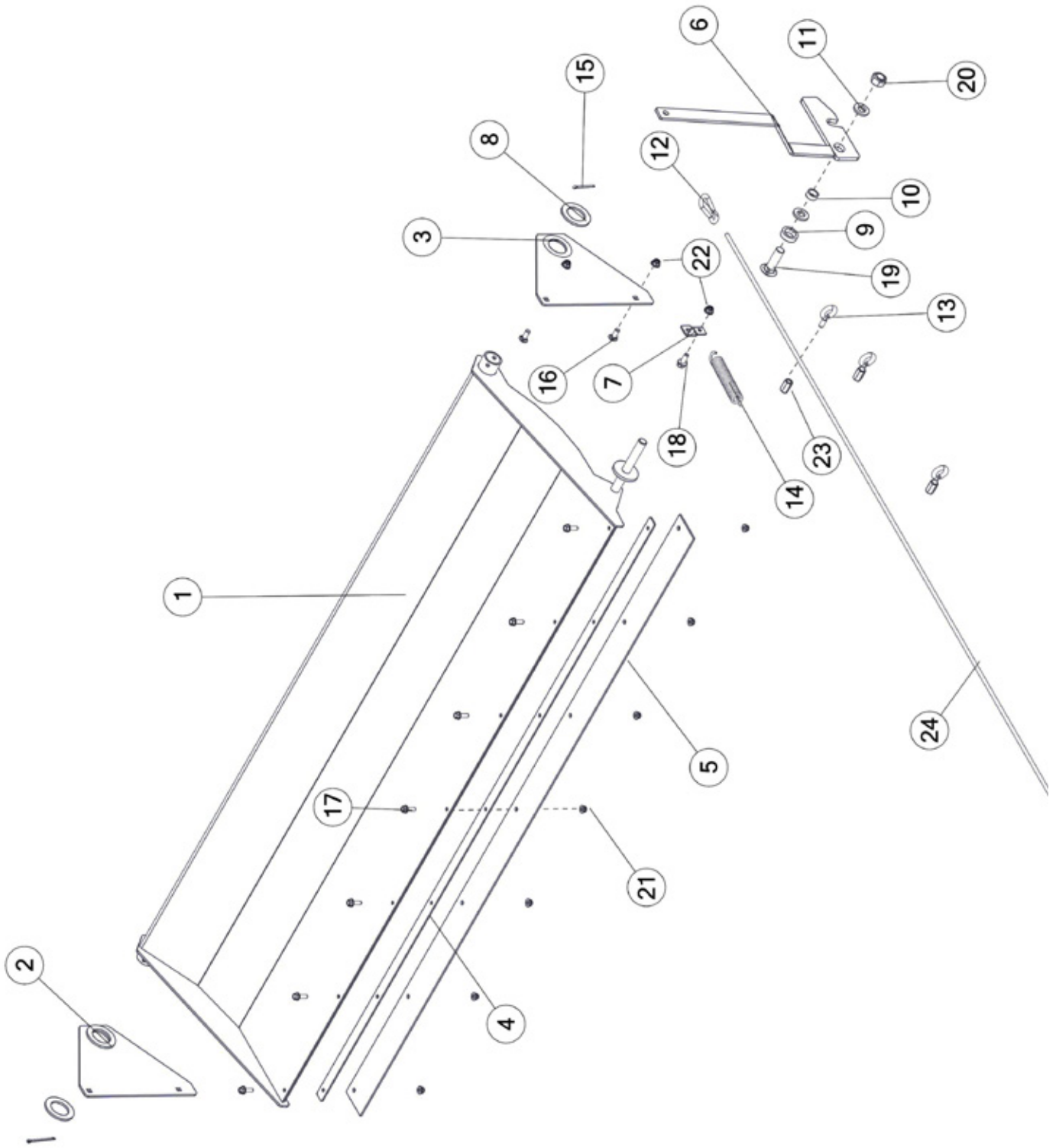


FIGURE 17

OPTIONAL PAN & COMPONENTS (MSHPOPAN)

<u>ITEM</u>	<u>QTY</u>	<u>PART#</u>	<u>DESCRIPTION</u>
1	1	42N127	PAN
2	1	42N129	PAN BRACKET, RH
3	1	42N128	PAN BRACKET, LH
4	1	42N130	RUBBER STRAP
5	1	42N131	RUBBER
6	1	42N133	LATCH
7	1	F69	SHIELD BRACKET
8	2	56N170	PAN WASHER
9	1	42N134	LATCH SPACER
10	1	42N132	LATCH BUSHING
11	2	T73	WASHER FLAT, 3/4
12	1	YMSN10005	SNAP HOOK, 5/16
13	3	YBTE12005	BOLT TURNED EYE, 3/8-16X1 144ZC
14	1	ST36	TENSION SPRING
15	2	YPCT06020	COTTER PIN, 3/16 X 2
16	2	YBCR12010	BOLT CARRIAGE, 3/8-16 X 1 G5 ZC
17	7	YBFB10001	BOLT FLANGE, 5/16 X 1 G5
18	1	YBFB12003	BOLT FLANGE, 3/8 X 1 G5
19	1	YBCR24003	BOLT CARRUAGE, 3/4-10 X 2-1/2 G5 ZC
20	1	YNL24005	NUT HEX, 3/4-10 LKTL C ZC
21	7	YNFG10005	NUT FLANGE, 5/16 GF
22	2	YNFG12006	NUT FLANGE, 3/8 GF
23	3	YNCO12005	NUT HEX, COUPLING, 3/8-16 X 1-1/8 NAA ZC
24	1	42N136	ROPE, 5/16 X 216

FIGURE 18
OPTIONAL VARIABLE SPEED CONTROL (HPOVSEC)

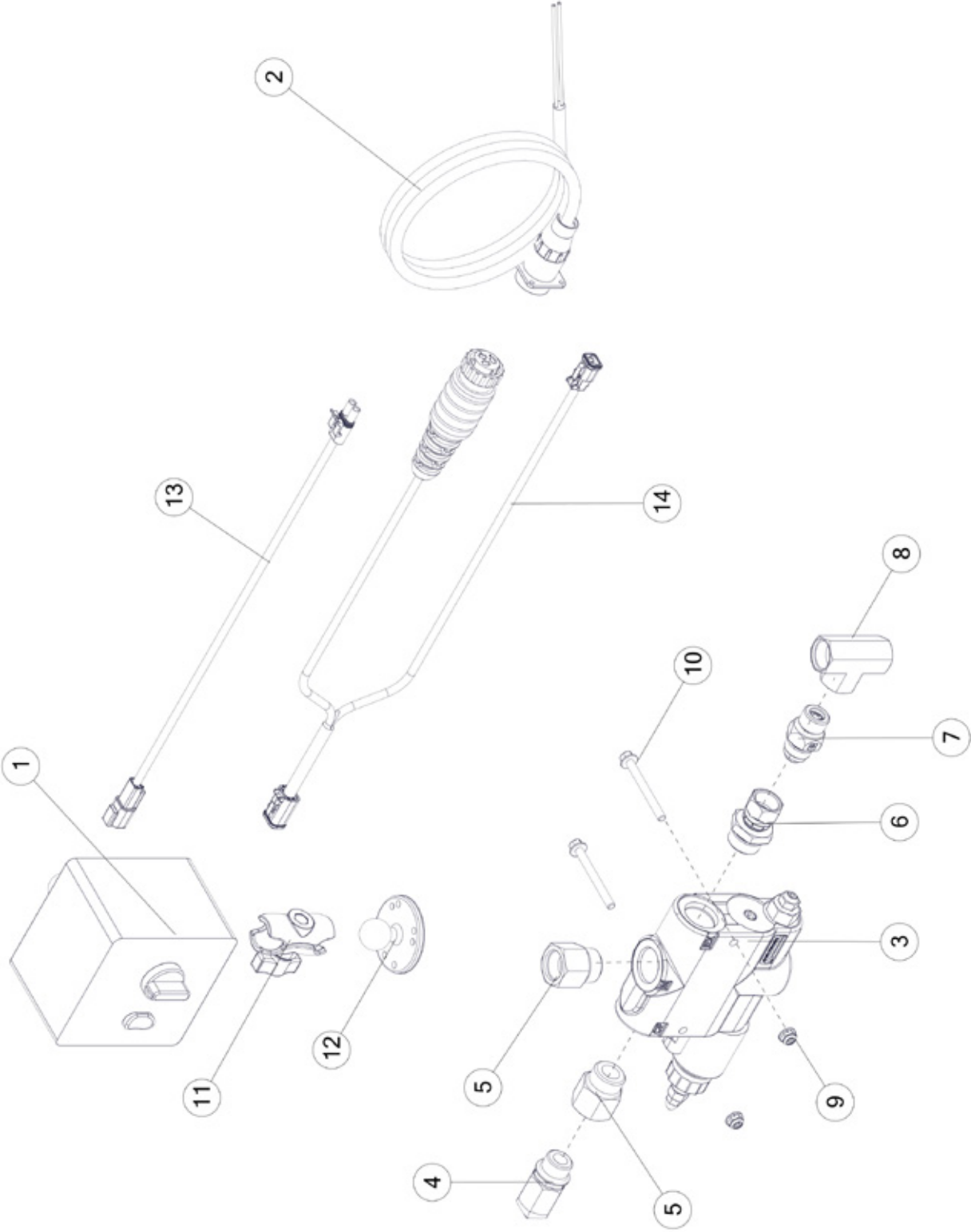


FIGURE 18
OPTIONAL VARIABLE SPEED CONTROL (HPOVSEC)

<u>ITEM</u>	<u>QTY</u>	<u>PART#</u>	<u>DESCRIPTION</u>
1	1	91719	CONTROL BOX
2	1	16SV269	TRACTOR CONTROL CABLE
3	1	89668	ELECTRIC FLOW CONTROL
4	1	90157	FITTING 90, 10ORB, 10ORB
5	2	69135	FITTING STRAIGHT, 12ORB, 10ORB
6	1	91704	FITTING STRAIGHT, 10JIC, 12ORB
7	1	91722	FITTING STRAIGHT, 10JIC, 10ORB, CHECK
8	1	91707	FITTING TEE, 10ORB, 10ORB, 10ORB
9	2	YNFG08010	NUT FLANGE, 1/4 GF
10	2	YBFB08250	BOLT FLANGE, 1/4 X 2-1/2 G5
11	1	85272	RAM DOUBLE SOCKET SHORT ARM
12	1	71445	MOUNT, RAM, CTRL MOUDULE
13	1	91712	IMPLEMENT HARNESS
14	1	91713	CAB HARNESS

FIGURE 19
HPO1034CV PTO

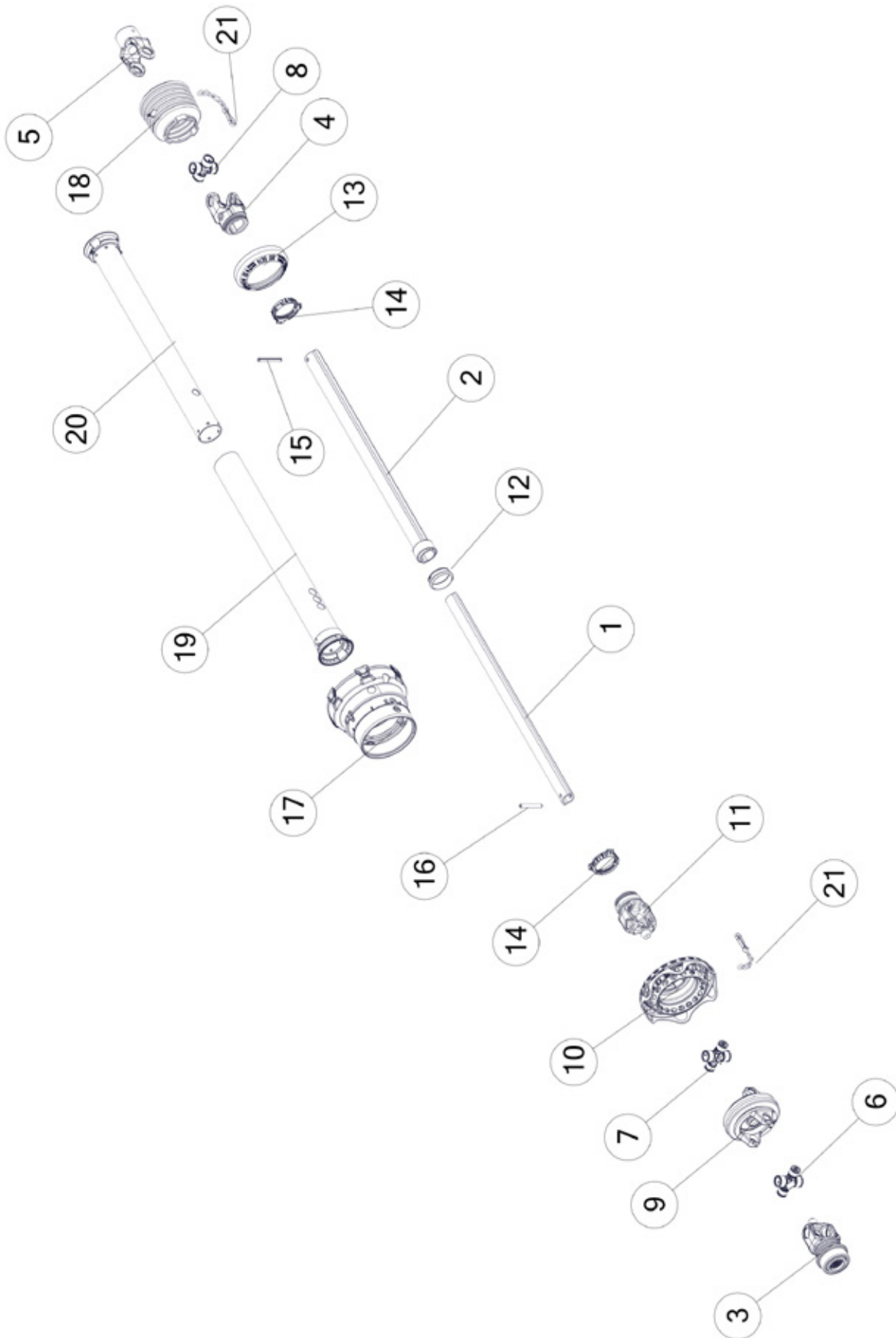


FIGURE 19
HPO1034CV PTO

<u>ITEM</u>	<u>QTY</u>	<u>PART#</u>	<u>DESCRIPTION</u>
1	1	89772	INNER SHAFT
2	1	89790	OUTER SHAFT
3	1	89799	YOKE
4	1	89787	YOKE
5	1	89789	YOKE
6	1	89768	CROSS AND BEARING KIT
7	1	89770	CROSS AND BEARING KIT
8	1	89786	CROSS AND BEARING KIT
9	1	89769	DOUBLE YOKE
10	1	89776	NET GUARD
11	1	89771	INBOARD YOKE
12	1	89793	SUPPORT BEARING
13	1	89792	REINFORCING COLLAR
14	2	87919	BEARING RING
15	1	87920	SPRING PIN
16	1	89773	SPRING PIN
17	1	89784	CV GUARD
18	1	87926	GUARD CONE
19	1	89774	OUTER GUARD TUBE
20	1	89791	GUARD TUBE INNER
21	2	87916	RESTRAINT CHAIN
*	1	89800	COMPLETE PTO

FIGURE 20
HPO1038CV PTO

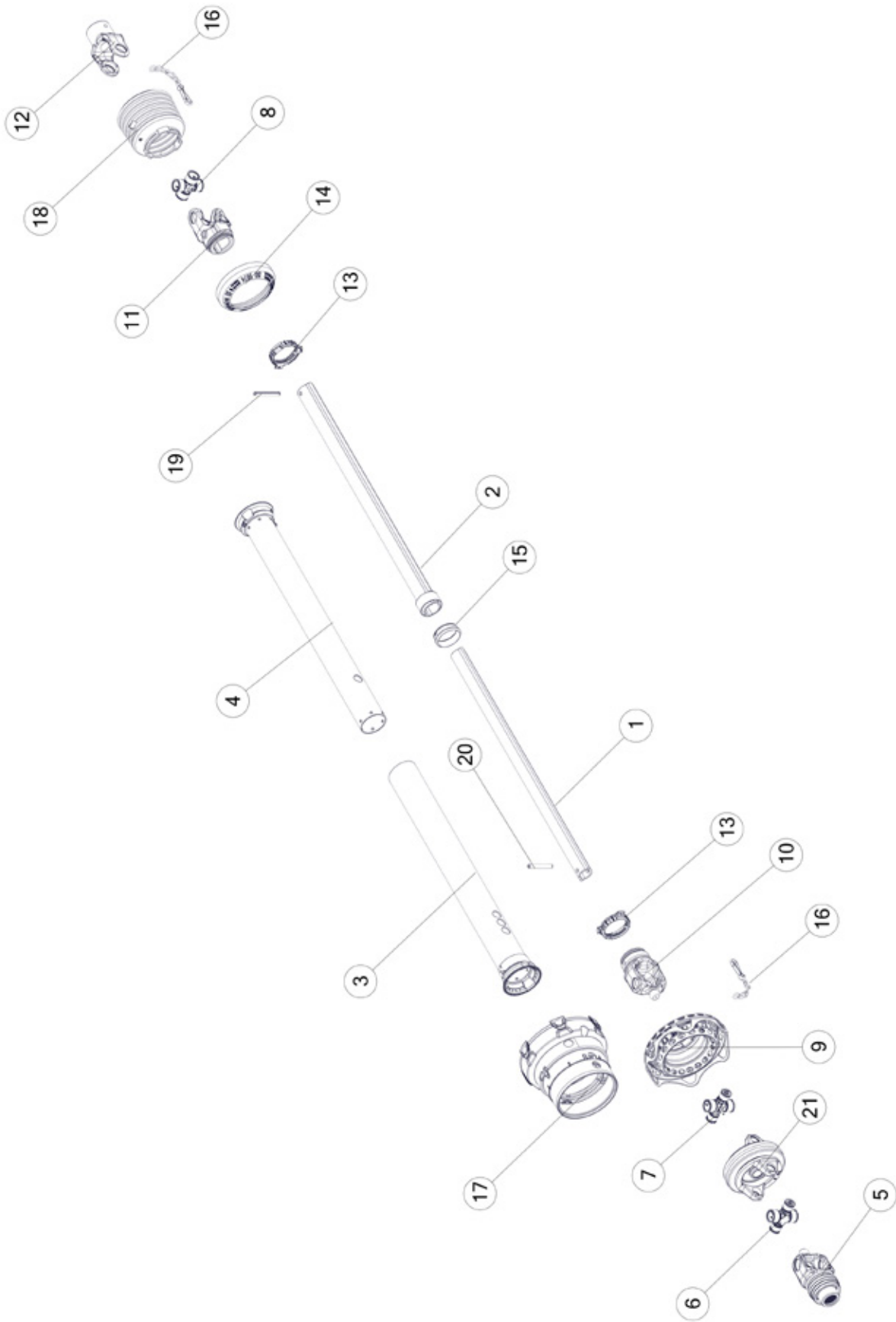


FIGURE 20
HPO1038CV PTO

<u>ITEM</u>	<u>QTY</u>	<u>PART#</u>	<u>DESCRIPTION</u>
1	1	89772	INNER SHAFT
2	1	89790	OUTER SHAFT
3	1	89774	OUTER GUARD TUBE
4	1	89791	GUARD TUBE INNER
5	1	89767	YOKE ASSEMBLY
6	1	89768	CROSS AND BEARING KIT
7	1	89770	CROSS AND BEARING KIT
8	1	89786	CROSS AND BEARING KIT
9	1	89776	NET GUARD
10	1	89771	INBOARD YOKE
11	1	89787	YOKE
12	1	89789	YOKE
13	2	87919	BEARING RING
14	1	89792	REINFORCING COLLAR
15	1	89793	SUPPORT BEARING
16	2	87916	RESTRAINT CHAIN
17	1	89784	CV GUARD
18	1	87926	GUARD CONE
19	1	87920	SPRING PIN
20	1	89773	SPRING PIN
21	1	89769	DOUBLE YOKE
*	1	89794	COMPLETE PTO

FIGURE 21
OPTIONAL TWP600S (HPOHTA550)

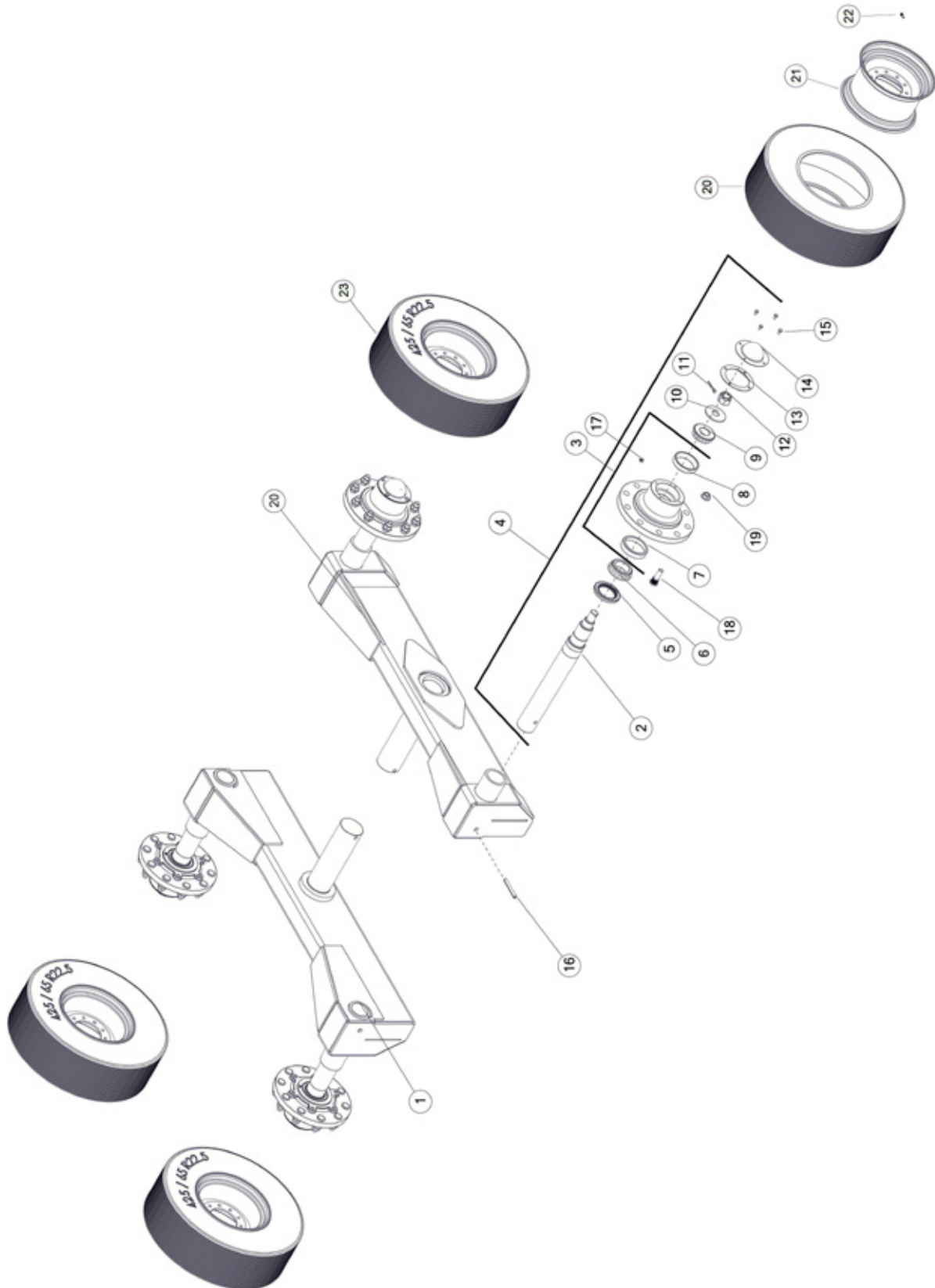


FIGURE 21

OPTIONAL TWP600S (HPOHTA550)

<u>ITEM</u>	<u>QTY</u>	<u>PART#</u>	<u>DESCRIPTION</u>
1	1	59596	TANDEM AXLE, RH
2	4	FBC31	SPINDLE
3	4	54507	871 HUB WITH KOYO RACES
4	4	54500	871 HUB COMPLETE AND SPINDLE
5	4	60N5	GREASE SEAL
6	4	54505	TAPERED ROLLER BEARING, 2.495 BORE
7	4	54504	INNER RACE (KOYO 39520)
8	4	54503	OUTER RACE (KOYO 453A)
9	4	54506	TAPERED ROLLER BEARING, 1.75 BORE
10	4	60N2	SPINDLE WASHER
11	4	YPCT07005	COTTER PIN, 7/32 X 2
12	4	YNCA36005	NUT CASTLE, 1-1/4-12 NAA NF
13	4	56234	HUB CAP GASKET
14	4	60N11	HUB CAP--600 BUSHEL
15	16	YBHH10020	BOLT HEX, 5/16 X 1/2 G5
16	4	YPEX16020	EXPANSION PIN, 1/2 X 4
17	4	BFR28	GREASE ZERK, 1/8 NPT
18	40	YBSD24010	BOLT STUD, 3/4 X 2-3/4
19	40	YNWL24005	NUT WHEEL, FLANGE 3/4
20	1	59595	TANDEM AXLE, LH
*	1	TWP600S	COMPLETE TIRE AND WHEEL SET
*	2	90196	TIRE AND WHEEL ASSEMBLY, LH
*	2	90204	TIRE AND WHEEL ASSEMBLY, RH
*	1	90190	WHEEL, 22.5 X 20.0 10B
*	1	FBC36	TIRE, 600/50 22.5 16PLY
*	1	72437	VALVE STEM

* NOT SHOWN

CHANGE NOTES

H&S MFG. CO.

products approved

for the

FEMA

SEAL OF QUALITY



Manufactured by

H&S MANUFACTURING CO., INC.

2608 S. HUME AVE. MARSHFIELD, WI 54449

(715) 387-3414 | hsmfgco.com

