



HPH4255

MANURE SPREADER

PARTS BOOK

Part # 88979

HSMFG111022

Rev. #02

Starting Ser. #322HP55001

STRONG HERITAGE - STRONG PEOPLE - STRONGER FUTURE



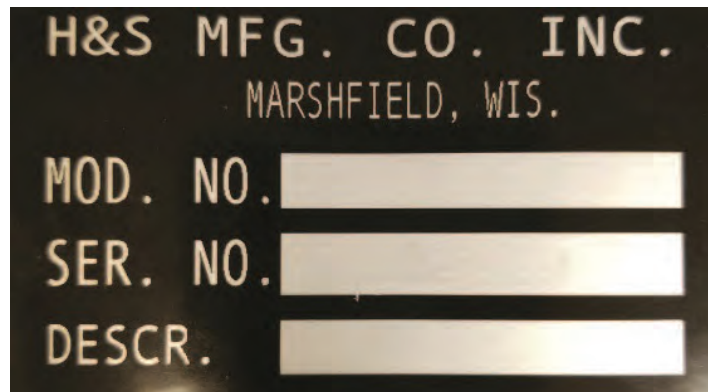
INSTRUCTIONS FOR ORDERING PARTS

All service parts should be ordered through your authorized H&S dealer. Your Dealership will be able to give you faster service if you will provide them with the following:

1. All references to left or right apply to the machine as viewed from the rear.
2. Parts should not be ordered from illustration only. Please order complete part number.
3. If your dealer has to order parts - give shipping instructions:

VIA truck - large pieces (please specify local truck lines)

VIA United Parcel Service (include full address)



MODEL & SERIAL NUMBER LOCATED ON
FRONT, LEFT SIDE OF PTO BEARING SUPPORT MOUNT

PLEASE RECORD NUMBERS FOR YOUR UNIT FOR QUICK REFERENCE

H&S IS CONTINUALLY STRIVING TO IMPROVE ITS PRODUCTS

We must, therefore, reserve the right to make improvements or changes whenever it becomes practical to do so, without incurring any obligation to make changes or additions to the equipment previously sold.





FIGURE 1 HITCH & COMPONENTS

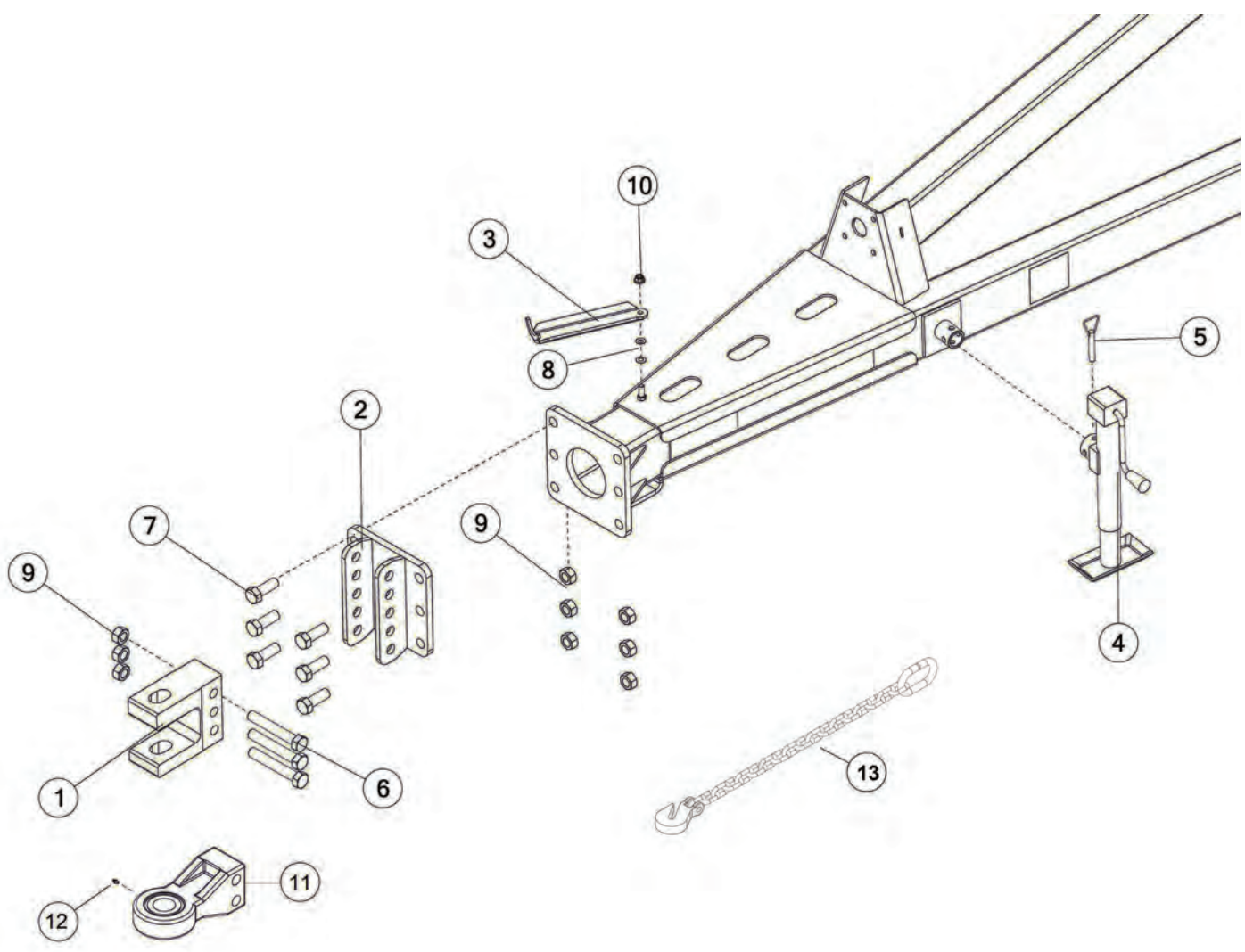




FIGURE 2 FLOOR & SIDE COMPONENTS

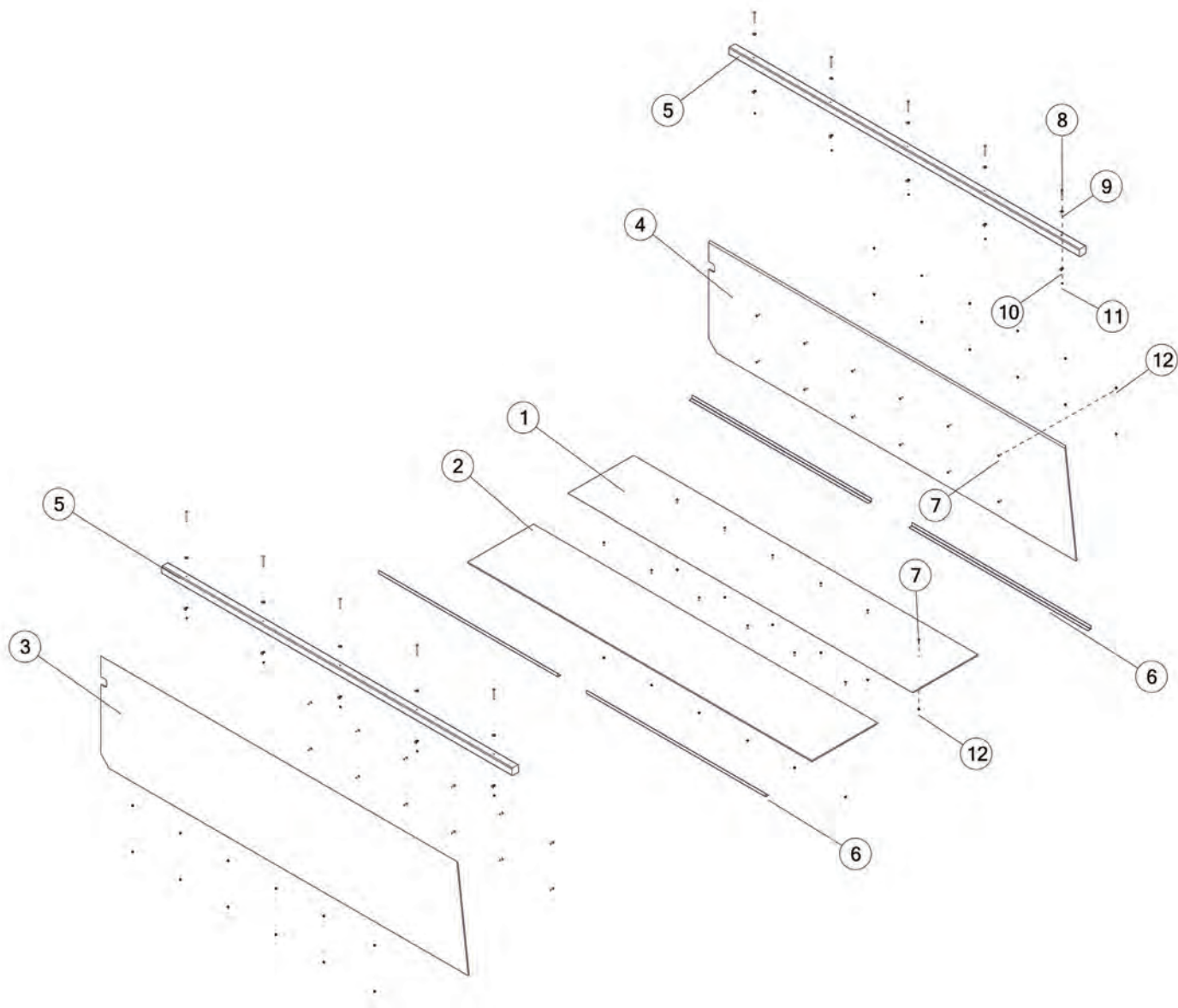
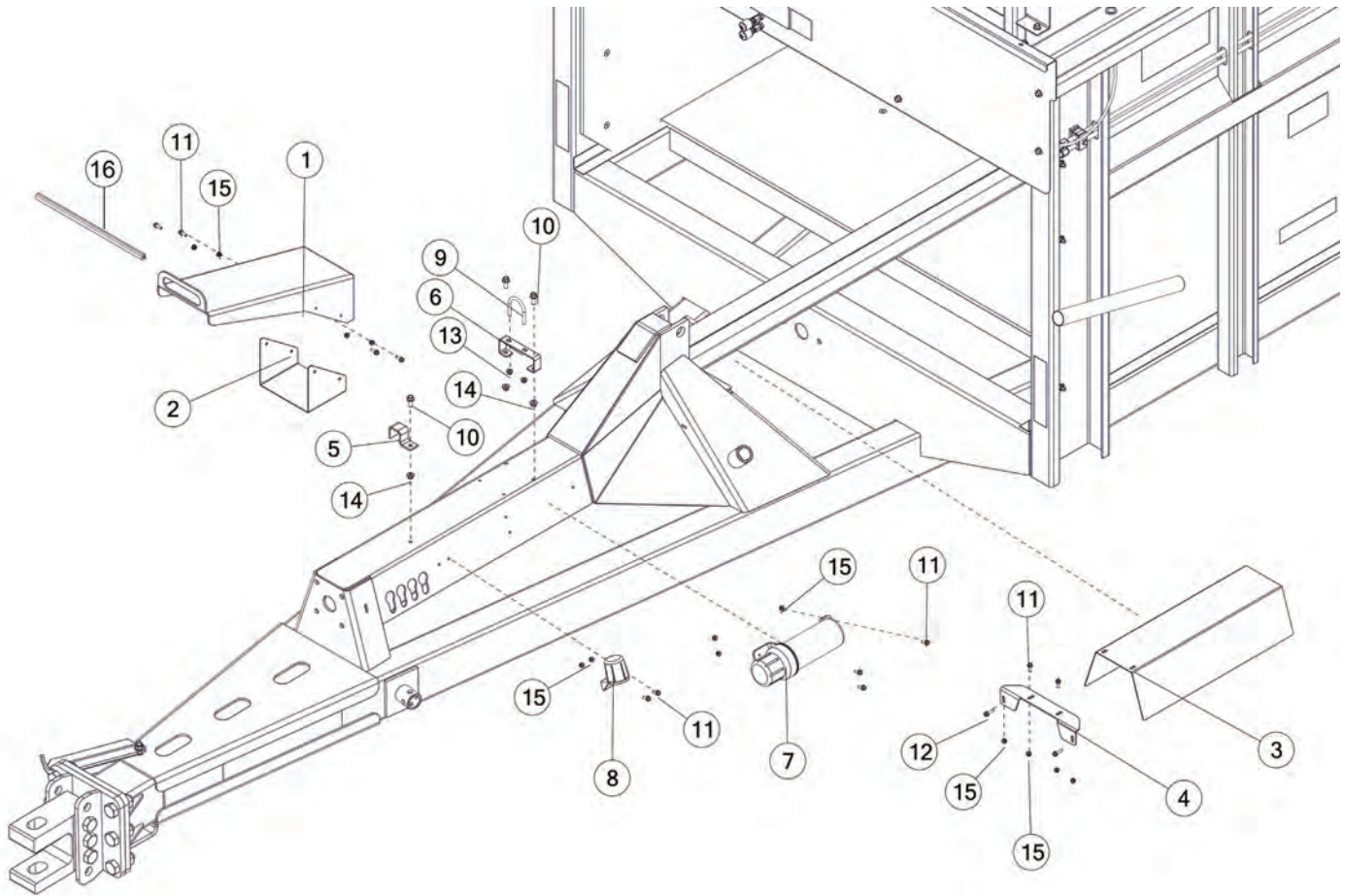




FIGURE 3
PTO SHIELD & COMPONENTS



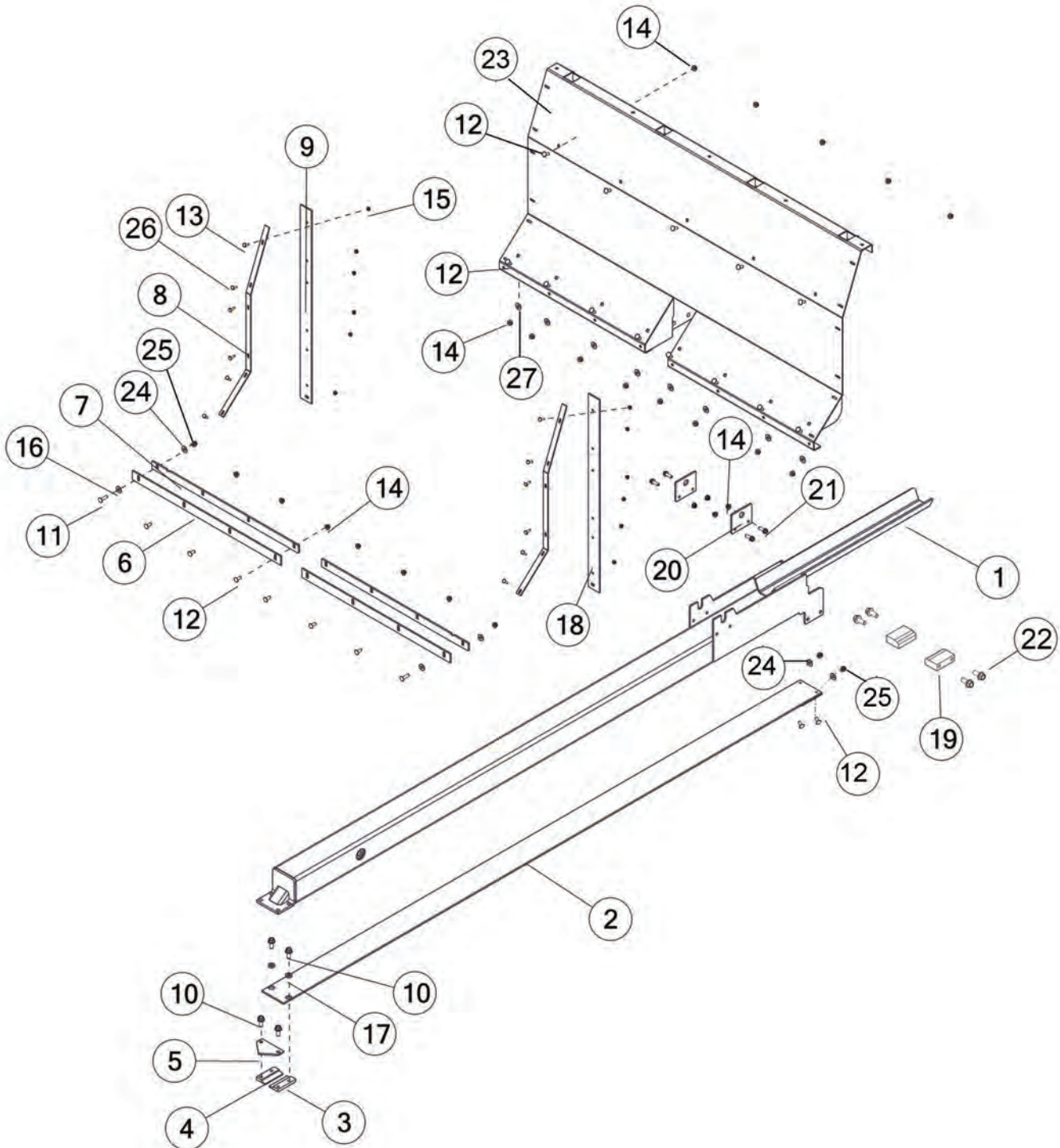




FIGURE 4 PUSHER COMPONENTS

REF #	PART #	DESCRIPTION	QTY
1	55N44	MOVEABLE FLOOR	1
2	55N85	PUSHER TUBING SLIDE	1
3	55N48	END CAP CLAMP RH	1
4	55N49	END CAP CLAMP LH	1
5	55N86	SCRAPER	1
6	55N83	PUSHER BOTTOM RUBBER	2
7	55N81	PUSHER WIPER	2
8	55N25	PUSHER RUBBER STRAP	2
9	55N27	PUSHER RUBBER LH	1
10	YBFB16125	BOLT FLANGE, 1/2 X 1-1/4 G5	4
11	YBCR12015	BOLT CARRIAGE, 3/8-16 X 1-1/2 G5 ZC	8
12	YBCR12010	BOLT CARRIAGE, 3/8-16 X 1 G5 ZC	15
13	YBCR08005	BOLT CARRIAGE, 1/4-20 X 1 G5 ZC	12
14	YNFG12006	NUT FLANGE, 3/8 GF	23
15	YNFG08010	NUT FLANGE, 1/4 GF	12
16	YWFL14005	WASHER FLAT, 7/16 USS ZINC	2
17	42N150	POLY SPACER	2
18	55N28	PUSHER RUBBER RH	1
19	55N46	PUSHER FRONT GUIDE	2
20	55N47	CYLINDER RETAINER	2
21	YBHH12035	BOLT HEX, 3/8 X 1-1/4 G5	4
22	YBHH20010	BOLT HEX, 5/8 X 1-1/2 G5	4
23	90095	PUSHER	1
24	YWLO12005	WASHER LOCK, 3/8	4
25	YNHX12005	NUT HEX, 3/8 G2	4
26	YBCR08015	BOLT CARRIAGE, 1/4-20 X 1-1/4 G5 ZC	2
27	YWFL12005	WASHER FLAT, 3/8 G5	13





FIGURE 5 PUSHER EXTENSION & COMPONENTS

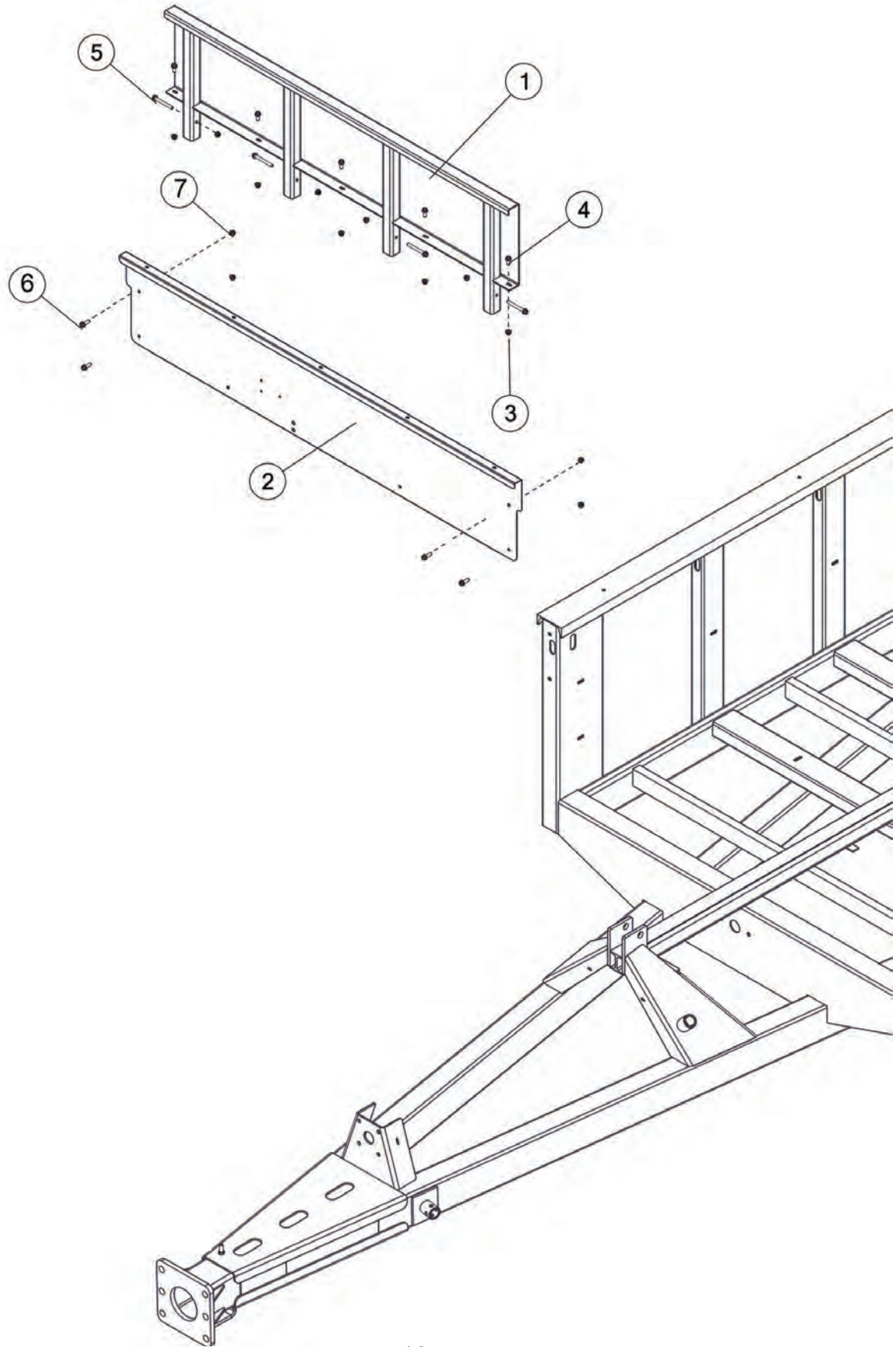




FIGURE 6 PUSHER SPACERS & COMPONENTS

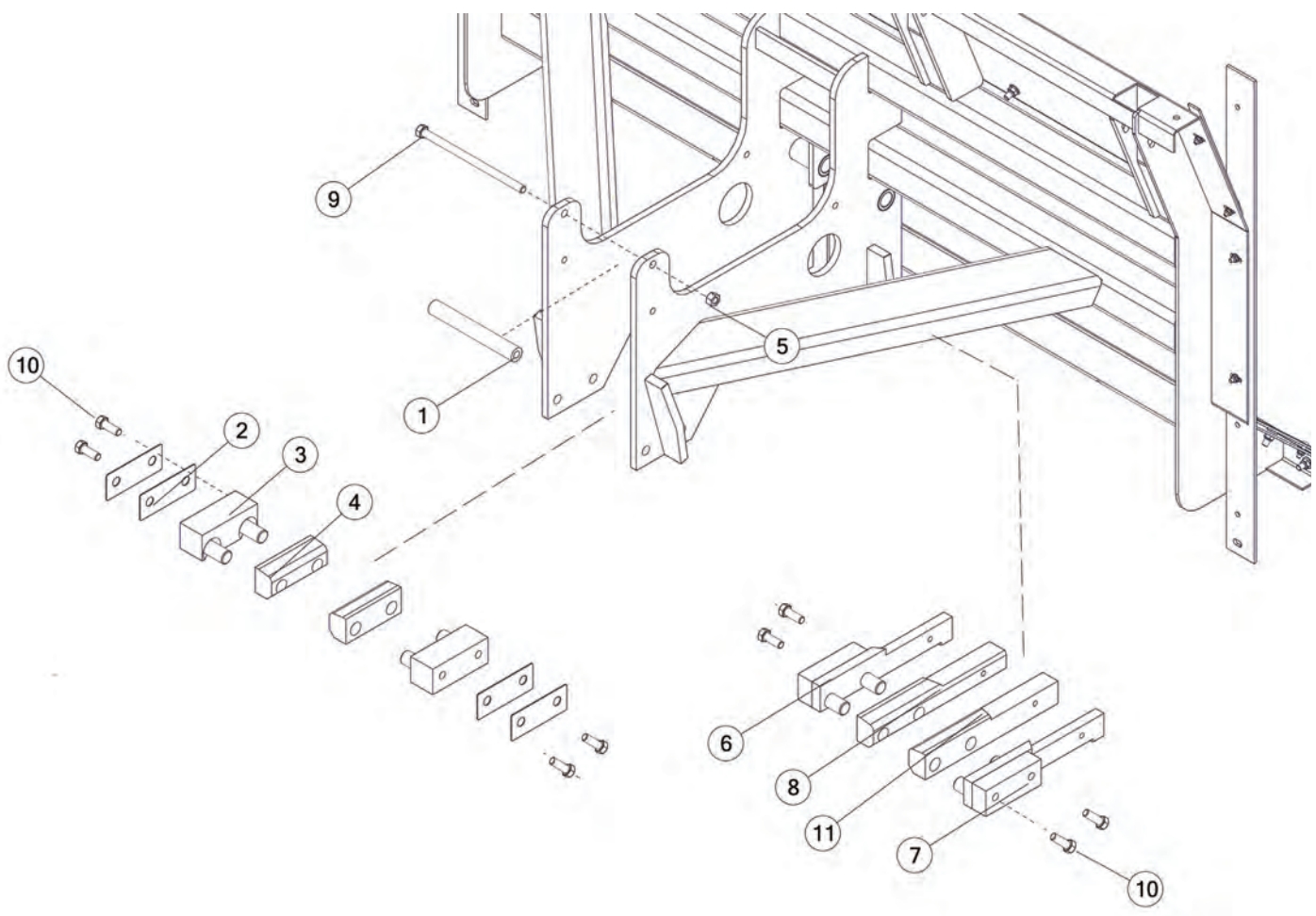




FIGURE 7 GEARBOX DRIVE & COMPONENTS

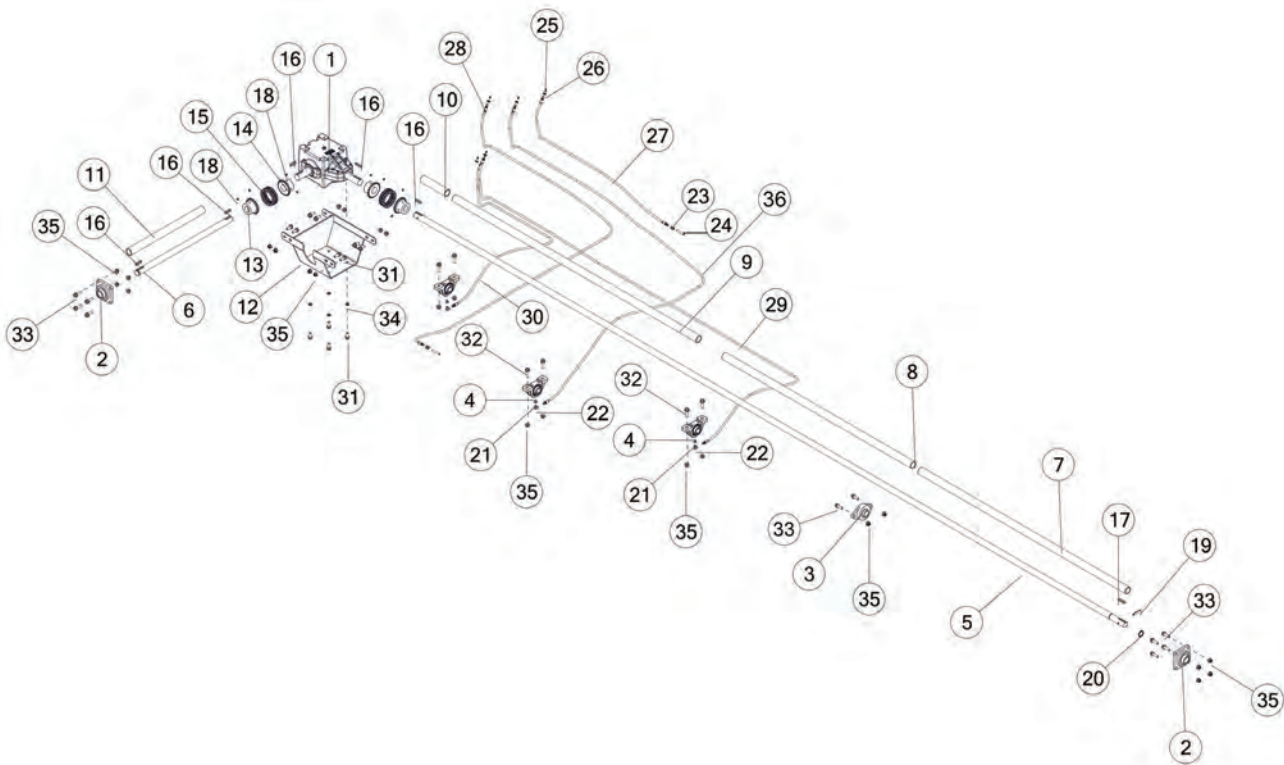


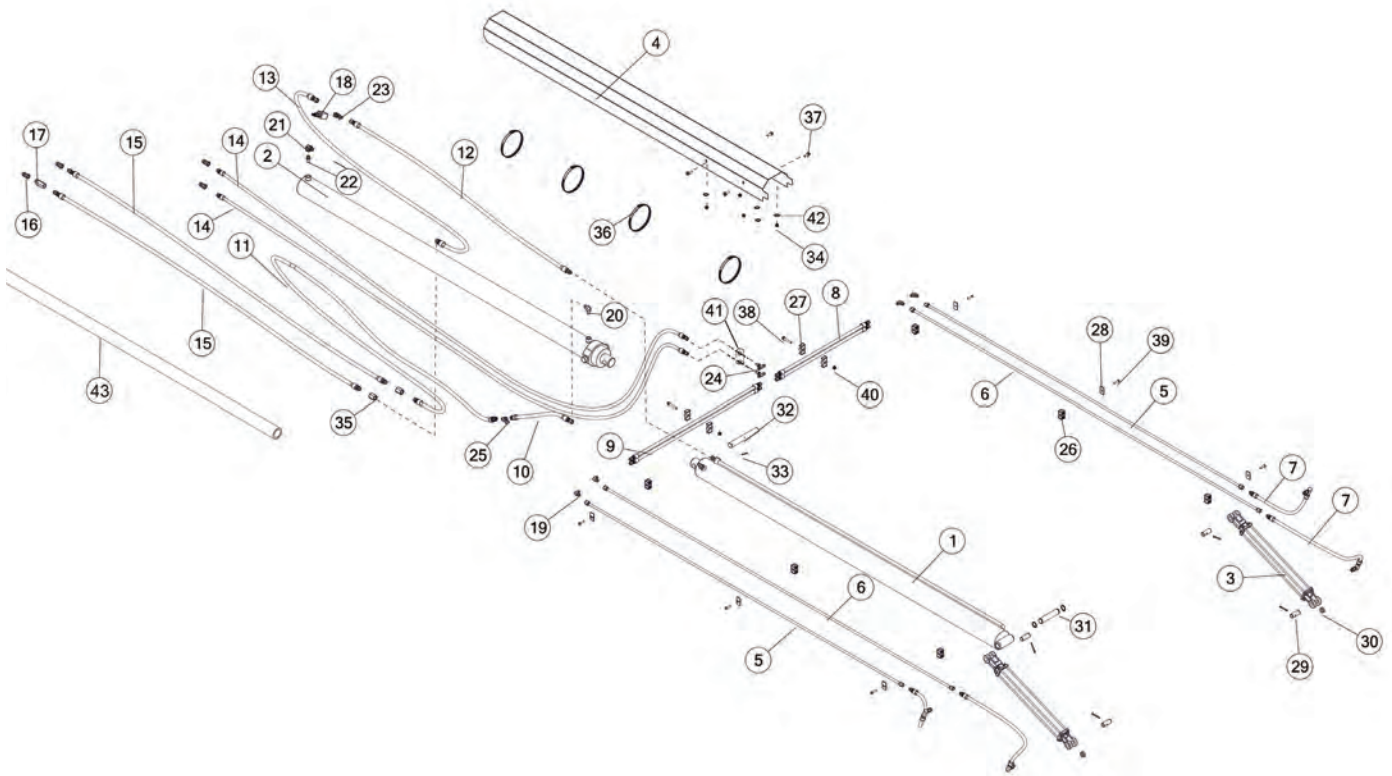


FIGURE 7

GEARBOX DRIVE & COMPONENTS

REF #	PART #	DESCRIPTION	QTY
1	89515	COMPLETE GEARBOX	1
2	12V99	BRG, 5.13 X 1.50 X 2.02, FLANGE	2
3	42N18	PILLOW BLOCK BEARING W/STRAIGHT, 1-1/2	1
4	60659	BEARING	3
5	87954	INPUT SHAFT	1
6	56783	CROSS SHAFT - FOR CLUTCH	1
7	42N16	INPUT PVC SHIELD	1
8	42N19	DRIVE SHAFT CENTER PVC SHIELD	1
9	96172	DRIVE SHAFT MIDDLE PVC SHIELD	1
10	96173	DRIVE SHAFT BACK PVC SHIELD	1
11	42N23	CROSS SHAFT PVC SHIELD	1
12	89568	GEARBOX MOUNT	1
13	42N24	SPROCKET 50-B-20 1-1/2 BORE	2
14	42N25	SPROCKET 50-B-20 1-3/4 BORE	2
15	HGV124	CONNECTOR CHAIN #50 X 20	2
16	56N174	SQUARE KEY, 3/8 X 2	4
17	S138	SQUARE KEY, 3/8 X 2-3/8	1
18	YSKP12025	SET SCR, SOCKET, KNURLED CUP PT, 3/8-16 X 3/8	8
19	YPEX12025	EXPANSION PIN, 3/8 X 2-3/4	1
20	12V62	HEAVY DUTY EXTERNAL SNAP RING, 1-1/2	1
21	TS323	FITTING STRAIGHT, 1/4-28, 1/8-27NPT	3
22	58453	FITTING 90, 1/8NPT, 1/8NPT	3
23	88827	FITTING STRAIGHT, 1/8NPT, 1/8NPT	2
24	66077	NIPPLE, 1/8 MALE PIPE X 2-1/2	2
25	G89	STRAIGHT ZERK, 1/2-28	5
26	YNJM04005	NUT JAM, 1/8 A	5
27	88909	GREASE HOSE, 3, 66	1
28	89728	GREASE HOSE, 3, 134	1
29	89725	GREASE HOSE, 3, 161	1
30	89723	GREASE HOSE, 3, 77	1
31	YBFB16125	BOLT FLANGE, 1/2 X 1-1/4 G5	12
32	YBFB16200	BOLT FLANGE, 1/2 X 2 G5	6
33	YBFB16175	BOLT FLANGE, 1/2 X 1-3/4 G5	10
34	YWLO16005	WASHER LOCK, 1/2	4
35	YNFG16003	NUT FLANGE, 1/2 GF	24
36	92711	GREASE HOSE, 3, 106	1





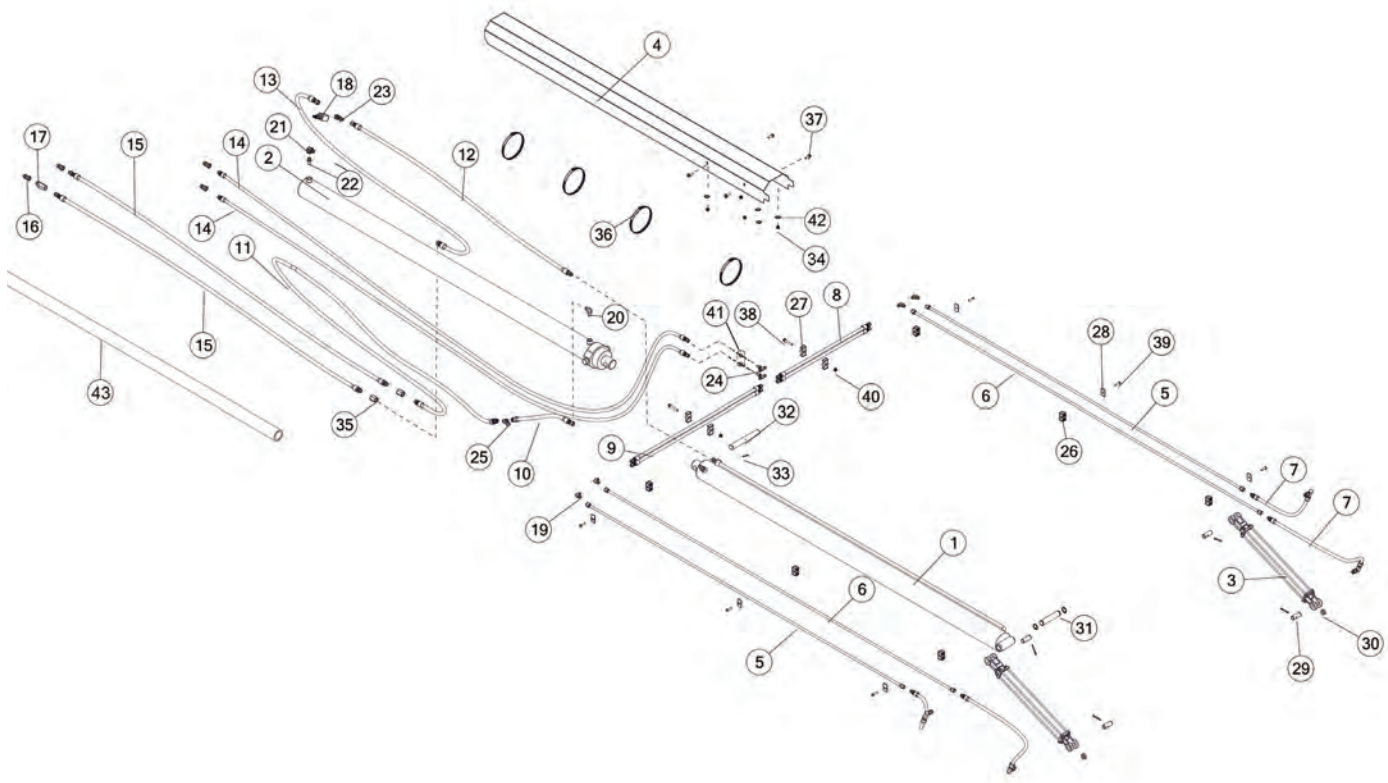


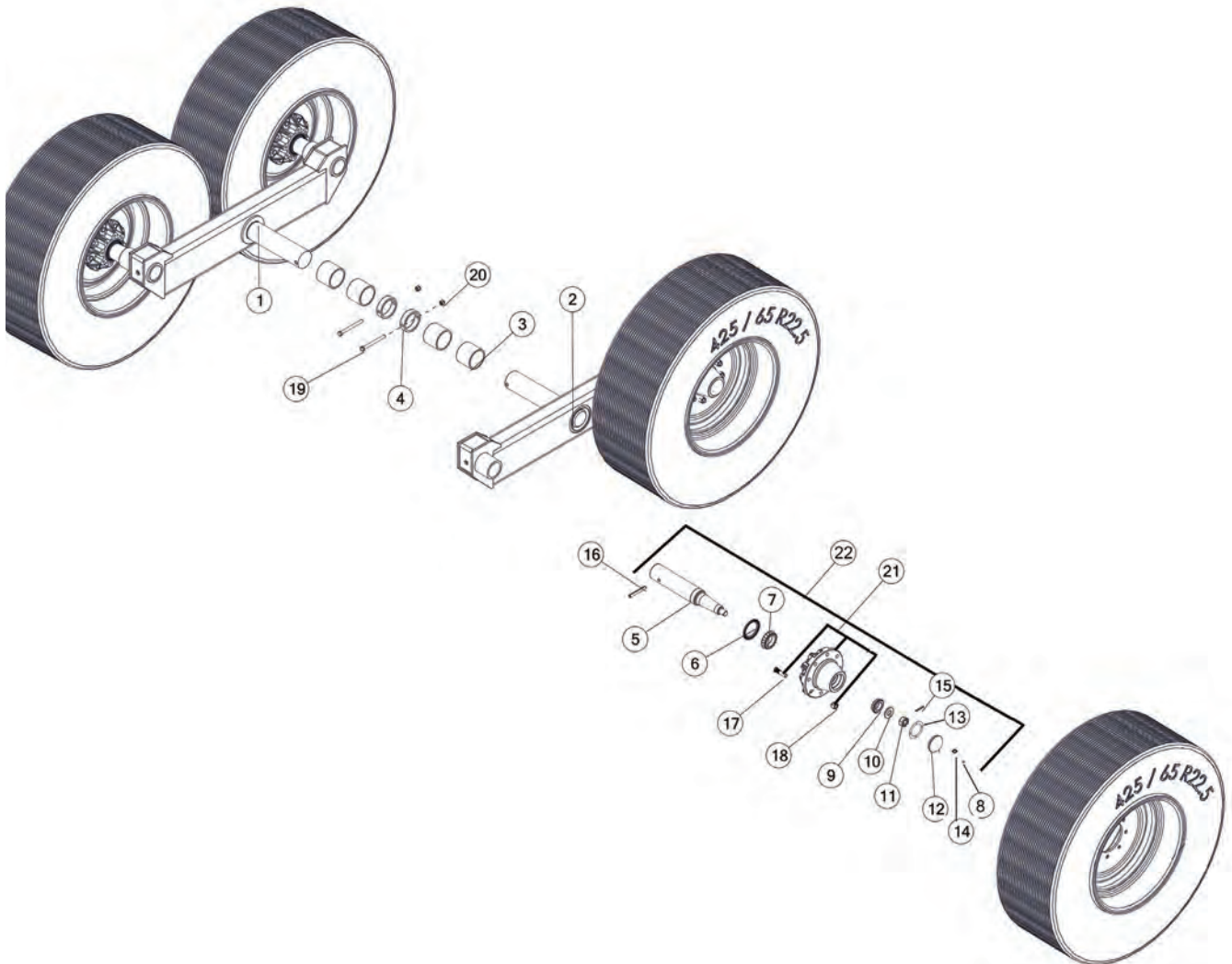
REF #	PART #	DESCRIPTION	QTY
1	55N33	HYDRAULIC CYLINDER, TRUNNION 4.5 X 90	1
2	55N32	HYDRAULIC CYLINDER, GIMBAL 4.5 X 90	1
3	90970	HYDRAULIC CYLINDER, 2 X 20	2
4	88870B	CYLINDER SHIELD W/DECALS	1
5	90973	HYDRAULIC TUBE, 1/2 X 108	2
6	89070	HYD TUBE, 1/2 X 10 FT	2
7	90972	HYDRAULIC HOSE, 6, 36	4
8	89635	HYDRAULIC HOSE, 6, 32	2
9	89632	HYDRAULIC HOSE, 6, 45	2
10	89654	HYDRAULIC HOSE, 8, 21	1
11	89665	HYDRAULIC HOSE, 8, 166	1
12	89652	HYDRAULIC HOSE, 8, 76	1
13	89659	HYDRAULIC HOSE, 8, 90	1
14	89629	HYDRAULIC HOSE, 6, 182	2
15	89662	HYDRAULIC HOSE, 8, 110	2
16	67148	FTG, ST, 8ORB, QUICK COUPLER TIP	4
17	89576	HYDRAULIC VALVE, CHECK	1
18	89573	HYDRAULIC VALVE, SEQUENCE	1
19	58187	FITTING 8-6 ETX-S	4
20	58189	FITTING, 90, 8JIC X 1/2NPT	1
21	1056	-8 ORB TO -8 ORB 90 DEG	1
22	TFM89	FITTING, STRAIGHT, 8ORB X 1/2NPT	1
23	89643	FITTING T, 8 JIC, 8 JIC, 8 ORB	1
24	8005	FITTING TEE, 8JIC X 8JIC X 8JIC, BULKHEAD	1
25	TS139	FITT T, 8JIC, 8JIC, 8JIC	1
26	TS118	LINE CLAMP BLOCK (PART OF T2008S)	6
27	86567	DOUBLE CLAMP, UNIVERSAL	4
28	56563	CLAMP TOP PLATE	6
29	56N141	CYLINDER PIN	4
30	K132	SPACER, 3/8 LONG	2
31	55N50	REAR CYLINDER PIN	1
32	55N34	CYLINDER PIN	1
33	YPCT05025	COTTER PIN, 5/32 X 2	6
34	YNHX12005	NUT HEX, 3/8 G2	4
35	90154	FITTING STRAIGHT, 10ORB, 10ORB	2
36	55N66	HOSE CLAMP SAE #104	1
37	YBFB12125	BOLT FLANGE, 3/8 X 1-1/4 G5	4
38	YBFB12250	BOLT FLANGE, 3/8 X 2-1/2 G5	2
39	56568	CLAMP BOLT 5/16-18 x 1-3/8	6

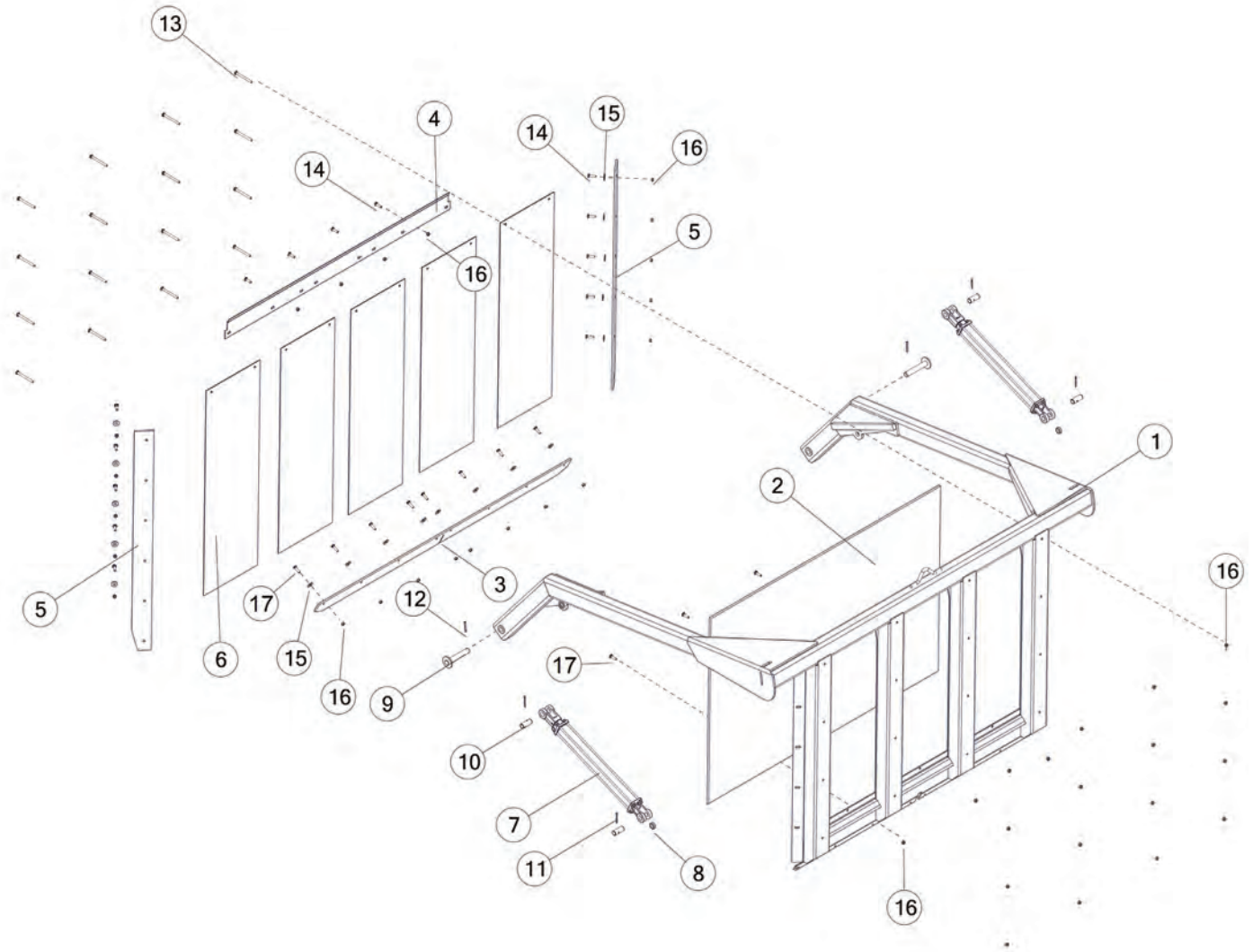




FIGURE 8 HYDRAULICS







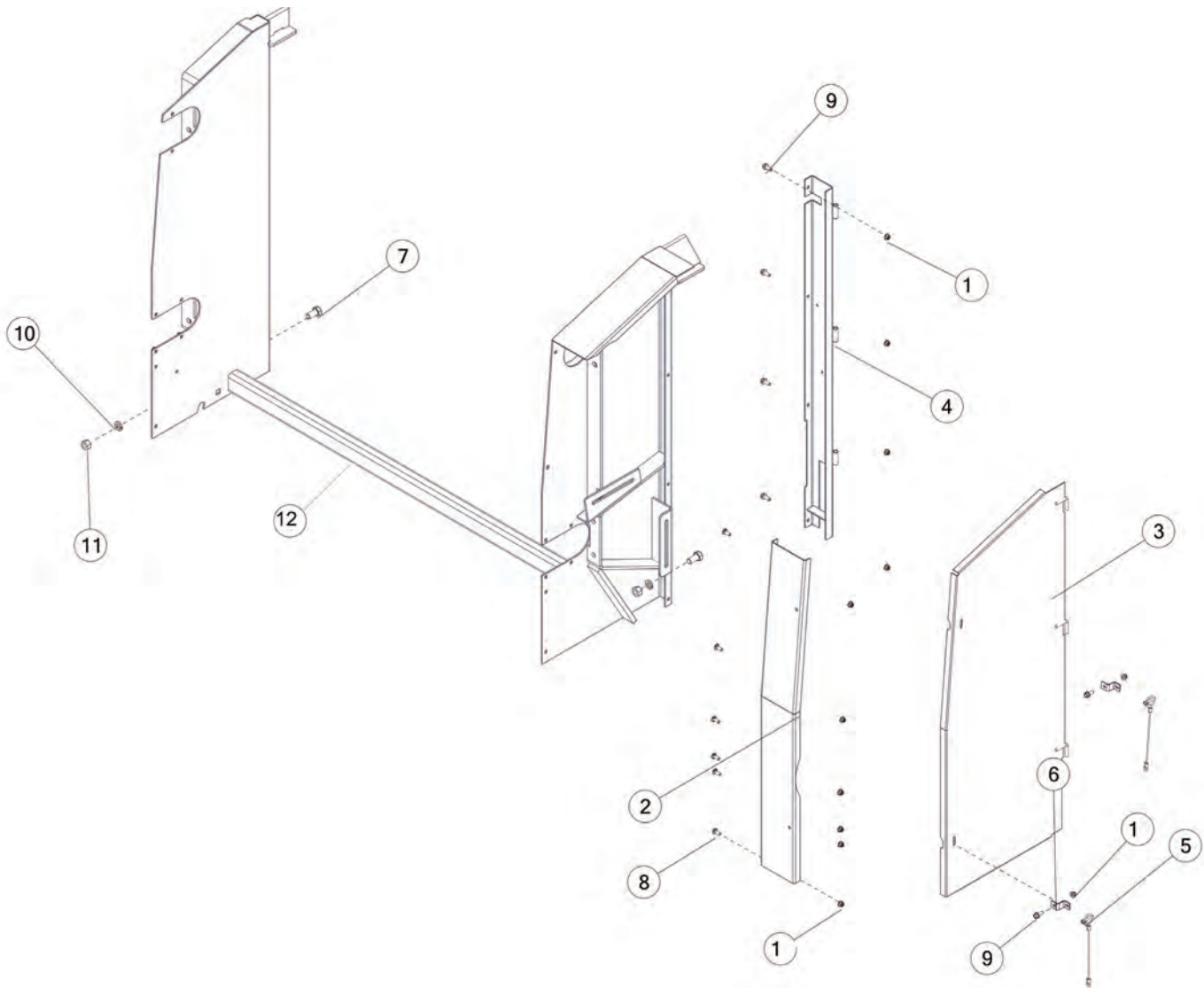
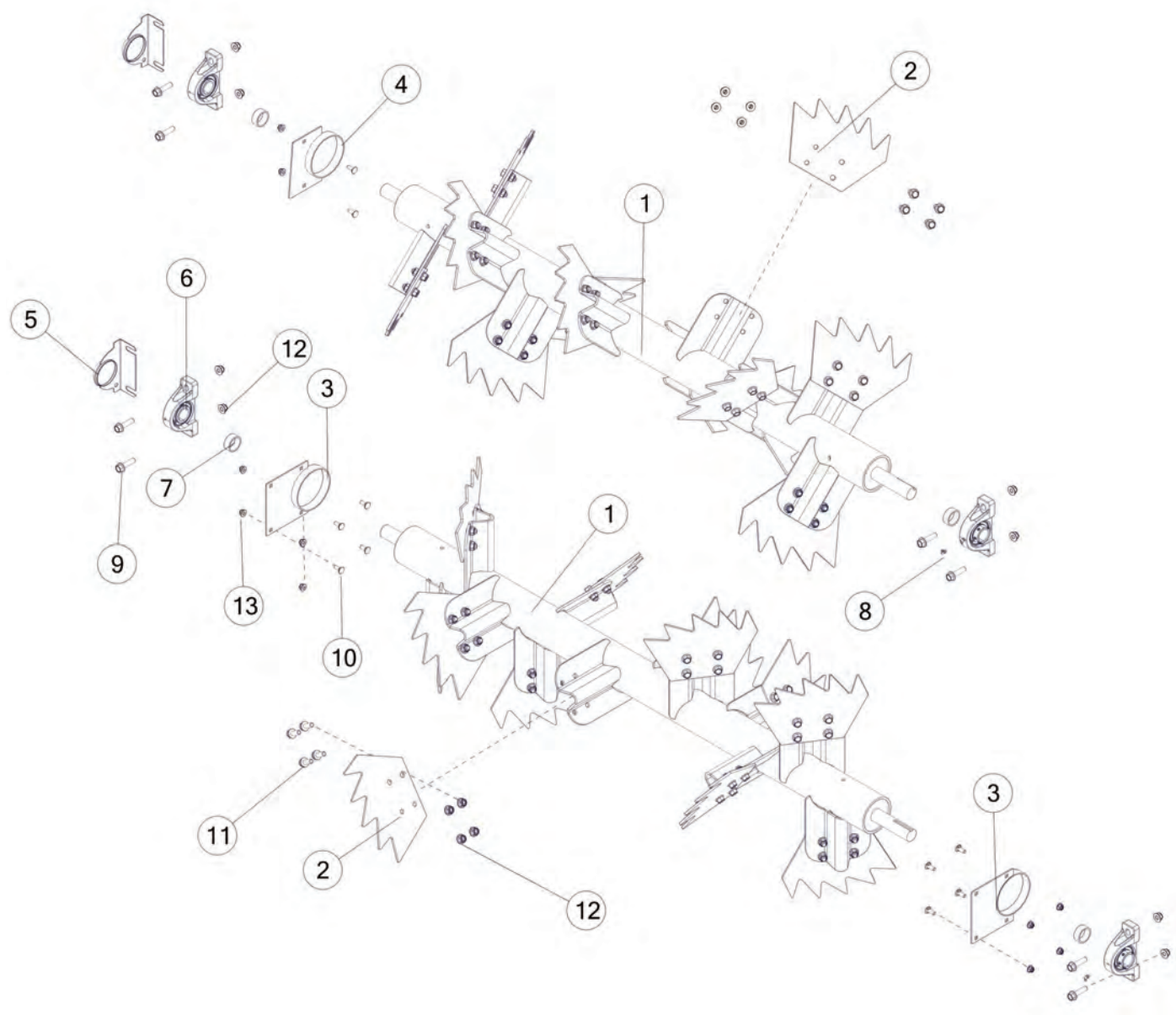




FIGURE 12

BEATERS & COMPONENTS



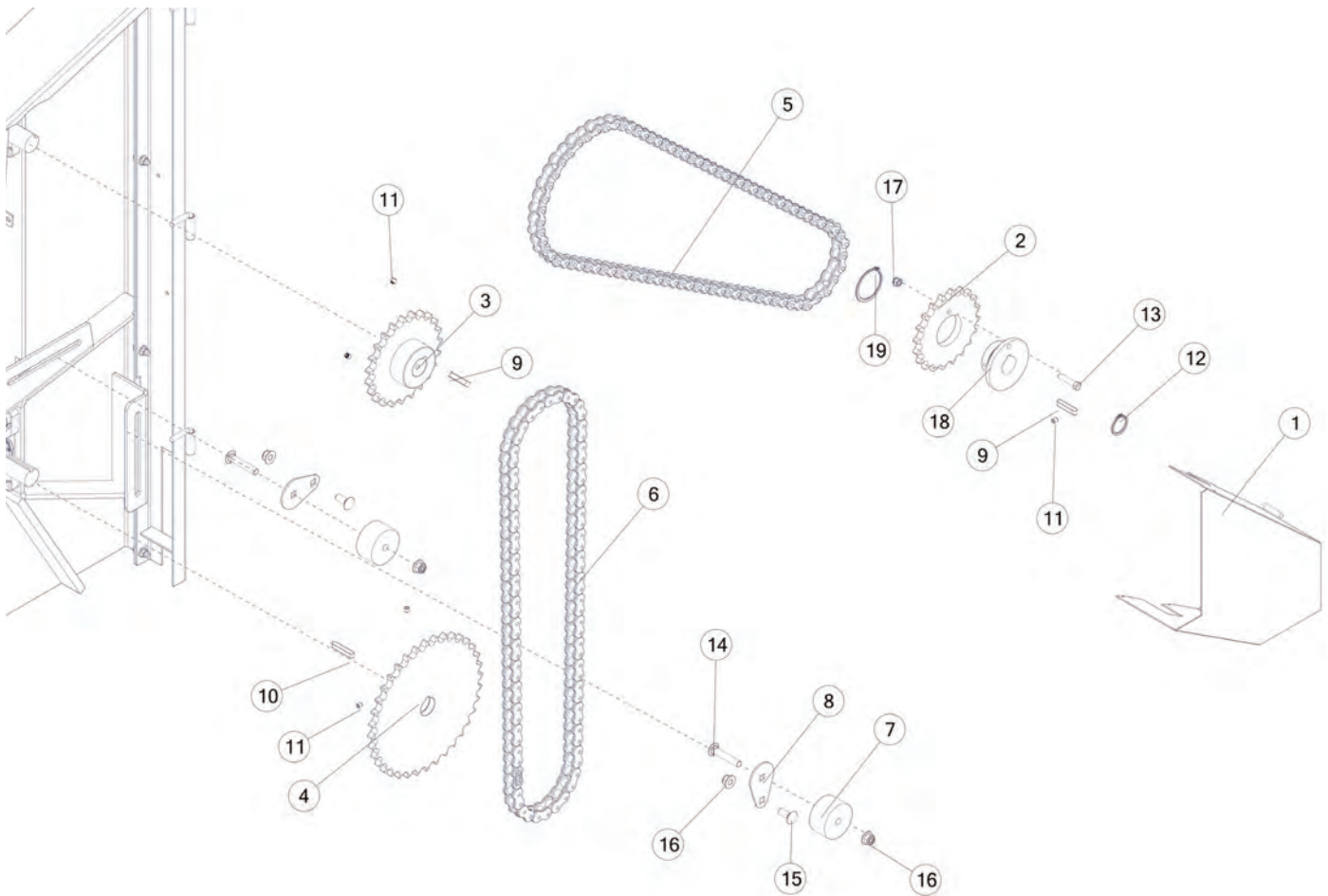
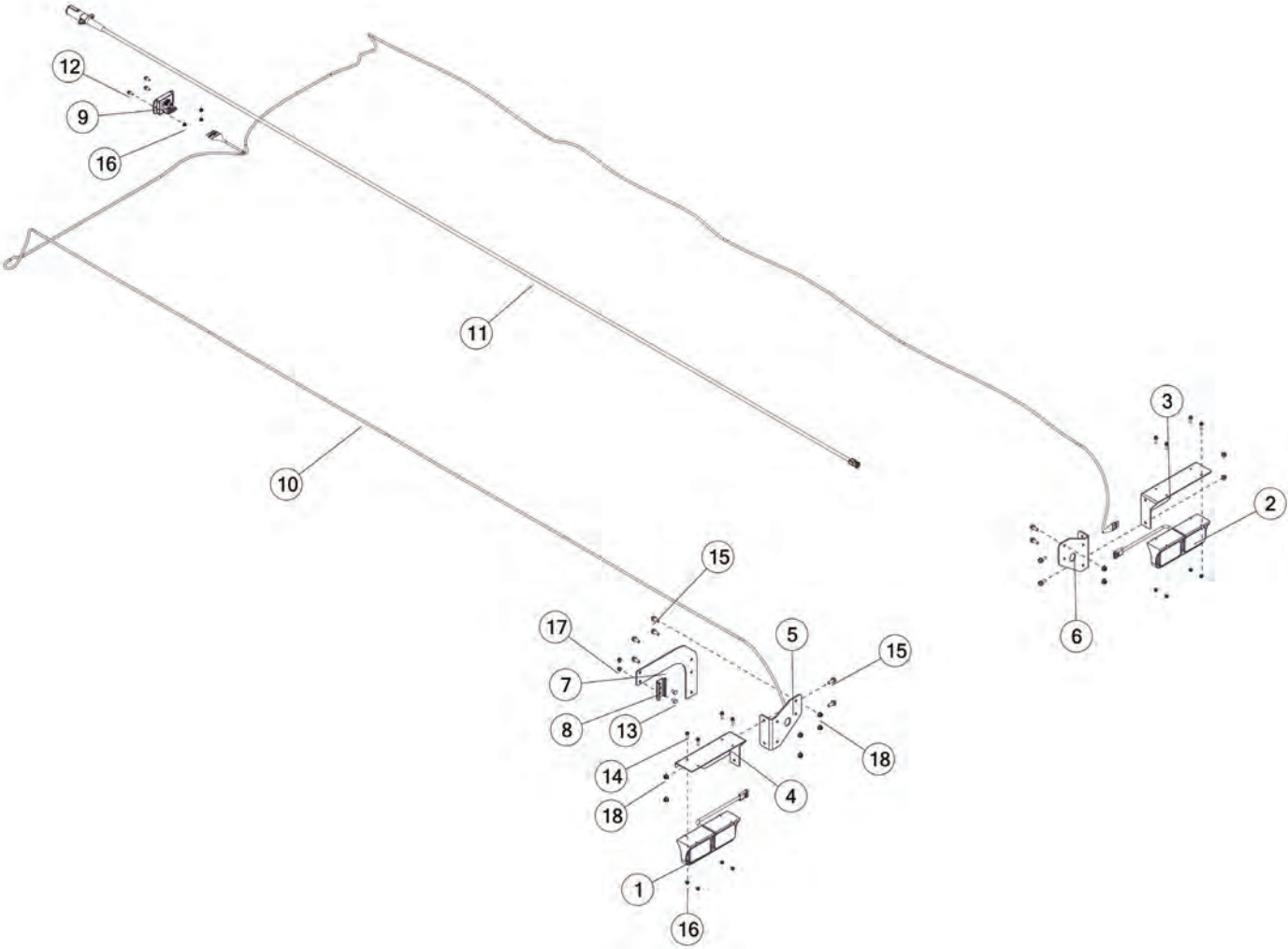




FIGURE 14

LIGHTS



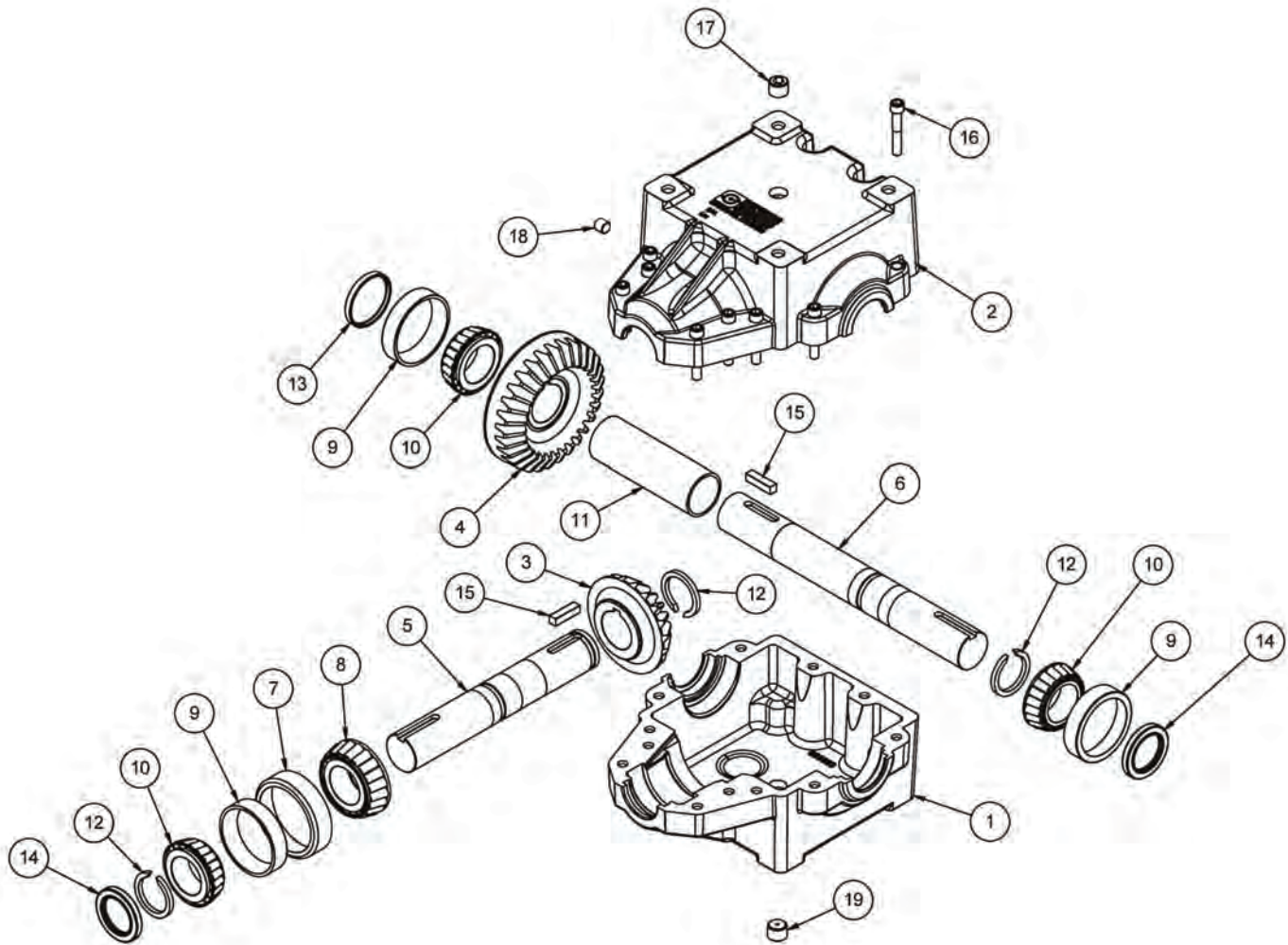




FIGURE 16
OPTIONAL FLOW CONTROL (HPOVSC)

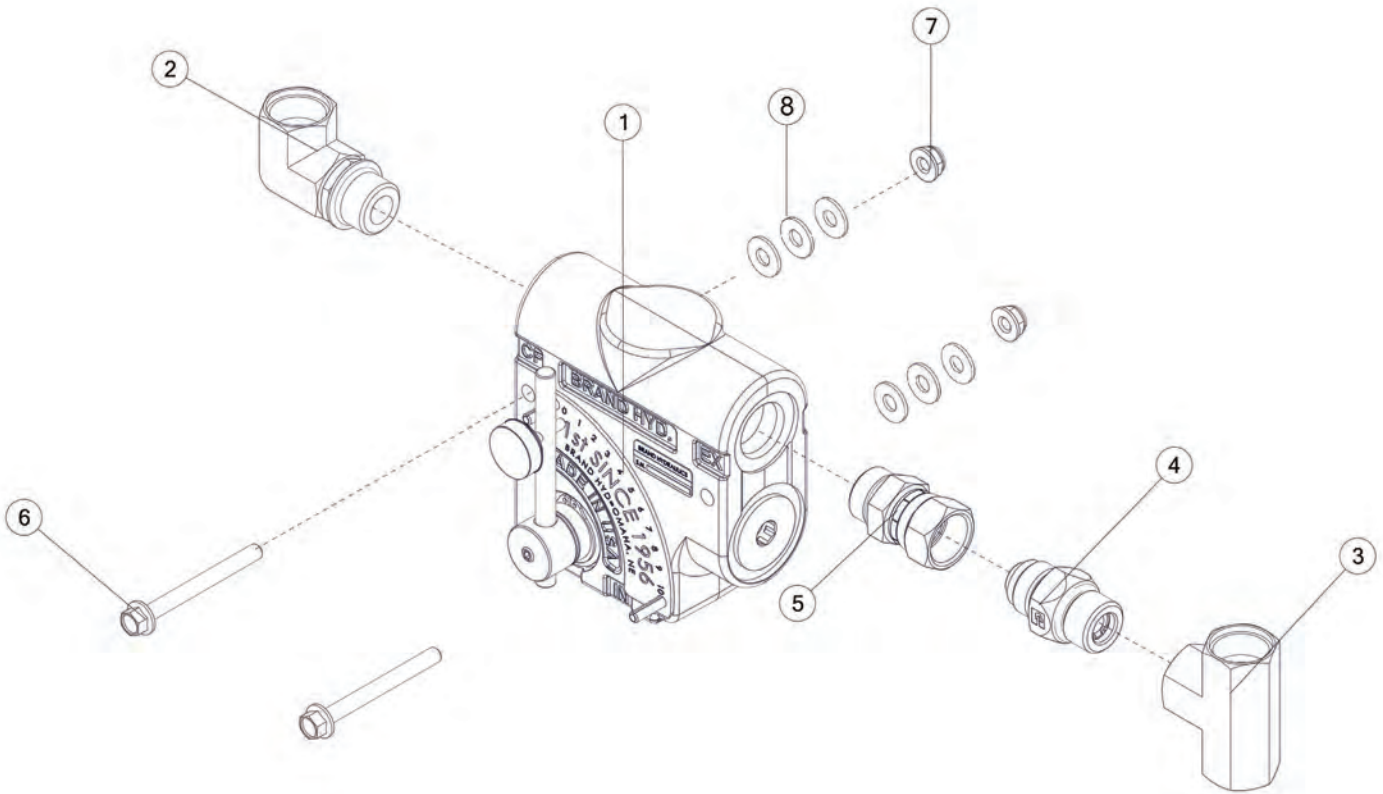




FIGURE 18

OPTIONAL VARIABLE SPEED CONTROL (HPOVSEC)

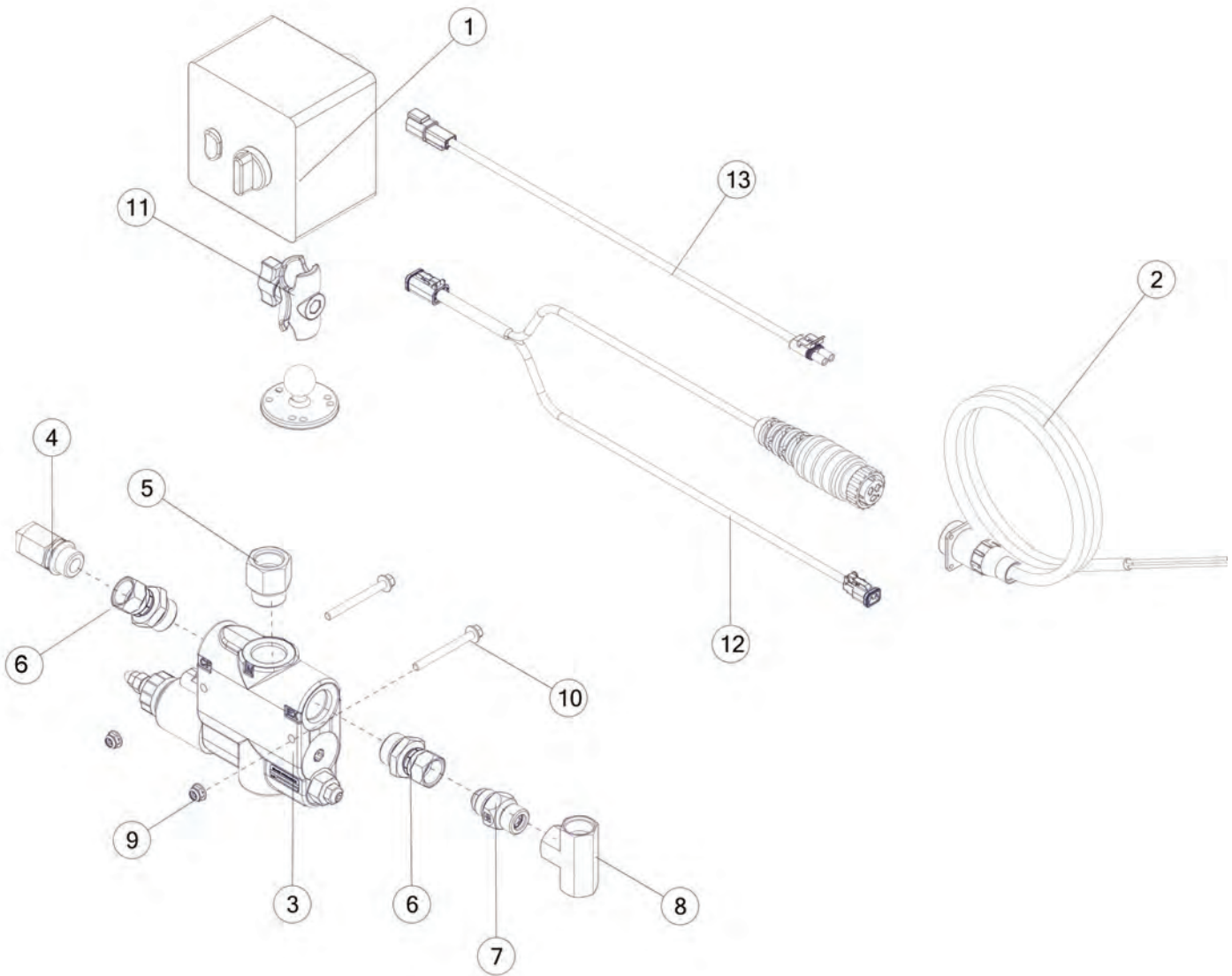




FIGURE 19
HPO1034CV PTO

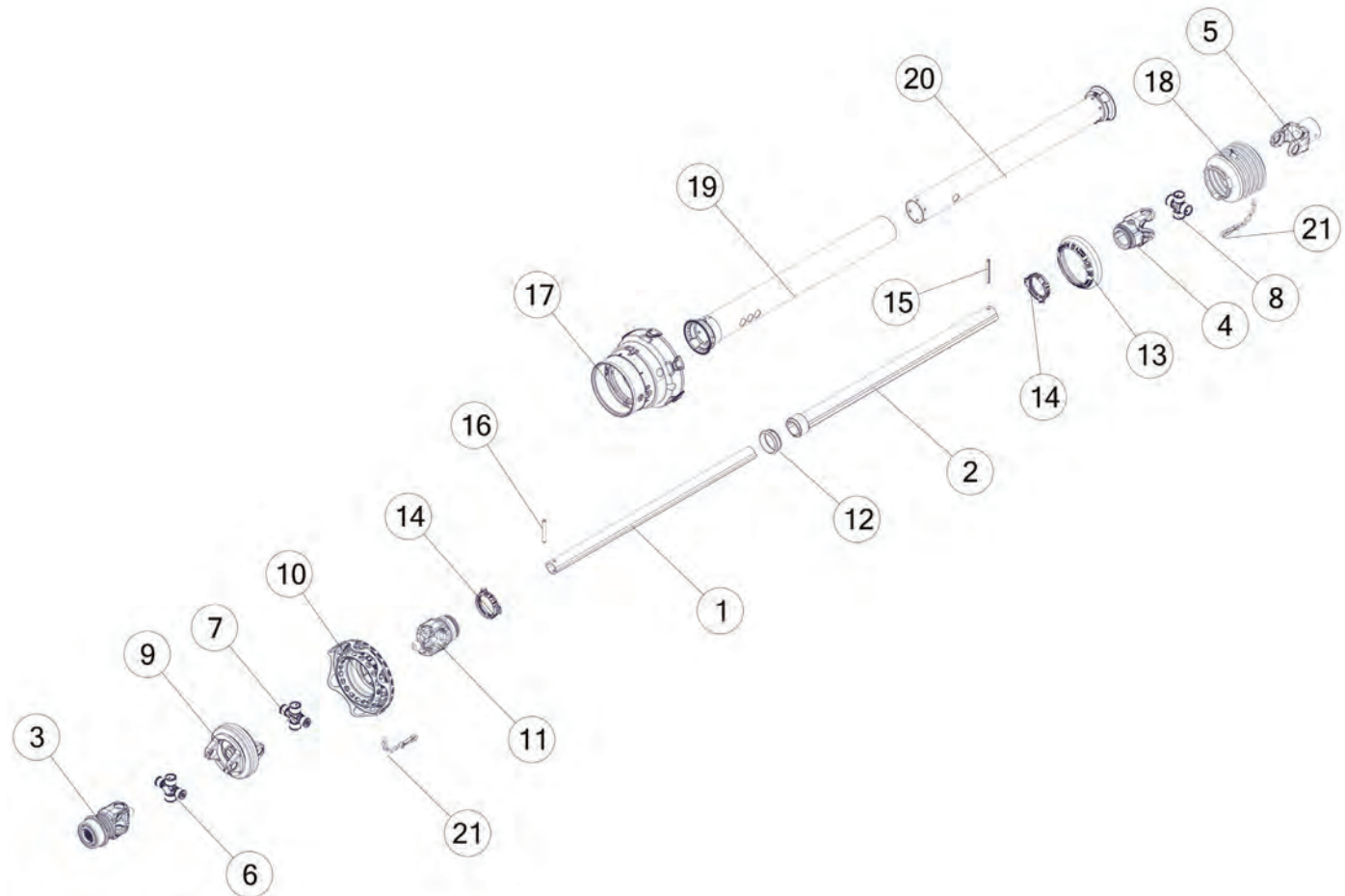




FIGURE 20
HPO1038CV PTO

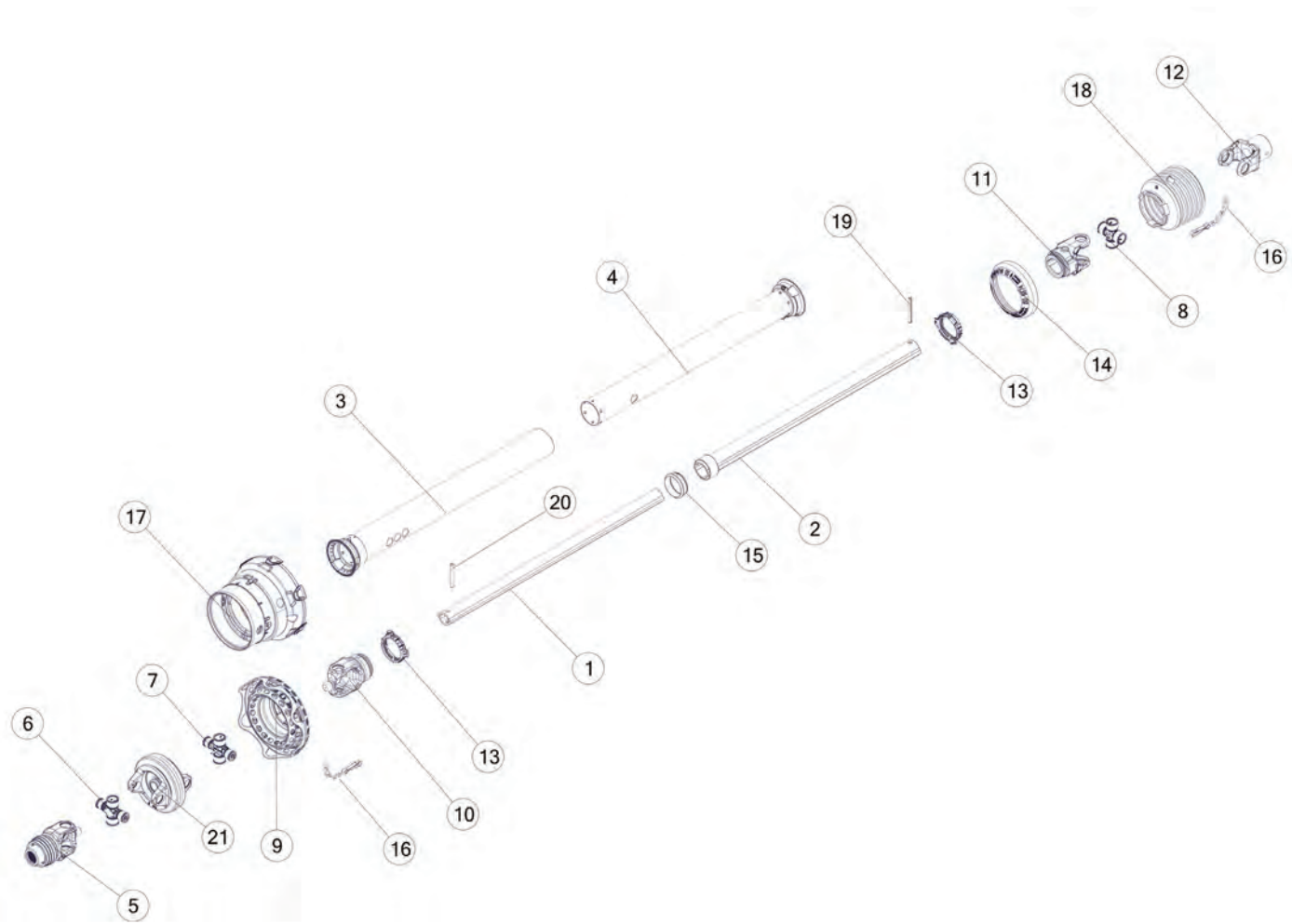
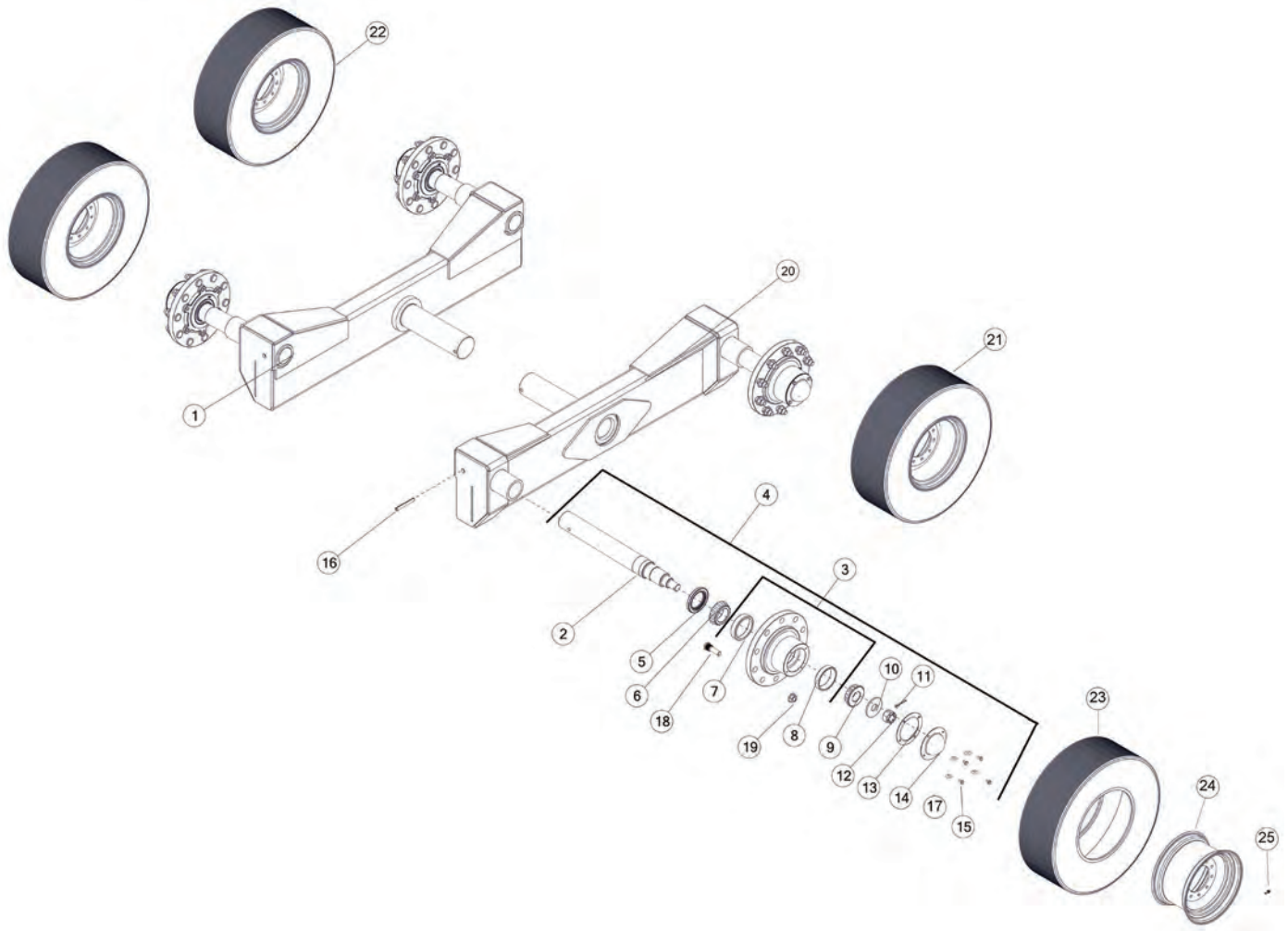




FIGURE 21
OPTIONAL TWP600S (HPOHTA550)





H&S MFG. CO.
products approved
for the
FEMA
SEAL OF QUALITY



Manufactured by:
H&S MANUFACTURING CO., INC.
2608 S. HUME AVE. MARSHFIELD, WI 54449
(715) 387-3414 | hsmfgco.com

