



# HPV4242

## MANURE SPREADER

### PARTS BOOK

Part #91691

HSMFG010422

Rev. #02 Starting Ser. #222VP42003

**STRONG HERITAGE - STRONG PEOPLE - STRONGER FUTURE**

# CONTENTS

Instructions for Ordering Parts . . . . .	1
Figure 1 - Hitch & Components . . . . .	2-3
Figure 2 - Floor & Side Components . . . . .	4-5
Figure 3 - PTO Shield & Components . . . . .	6-7
Figure 4 - Pusher & Components . . . . .	8-9
Figure 5 - Pusher Extension & Components . . . . .	10-11
Figure 6 - Pusher Spacers & Components . . . . .	12-13
Figure 7 - Gearbox Drive & Components . . . . .	14-15
Figure 8 - Hydraulics . . . . .	16-17
Figure 9 - Tandem Axle & Wheel Components . . . . .	18-19
Figure 10 - Endgate & Components . . . . .	20-21
Figure 11 - Beater Panels & Components . . . . .	22-23
Figure 12 - Beaters & Components . . . . .	24-25
Figure 13 - Lights . . . . .	26-27
Figure 14 - Beater Gearbox Assembly . . . . .	28-29
Figure 15 - Optional Flow Control (HPOVSC) . . . . .	30-31
Figure 16 - Optional Variable Speed Control (HPOVSEC) . . . . .	32-33
Figure 17 - Optional Screen Extension (HPOFASE) . . . . .	34-35
Figure 18 - HPO1034CV PTO . . . . .	36-37
Figure 19 - HPO1038CV PTO . . . . .	38-39
Figure 20 - 1000 RPM PTO . . . . .	40-41
Parts Notes . . . . .	42

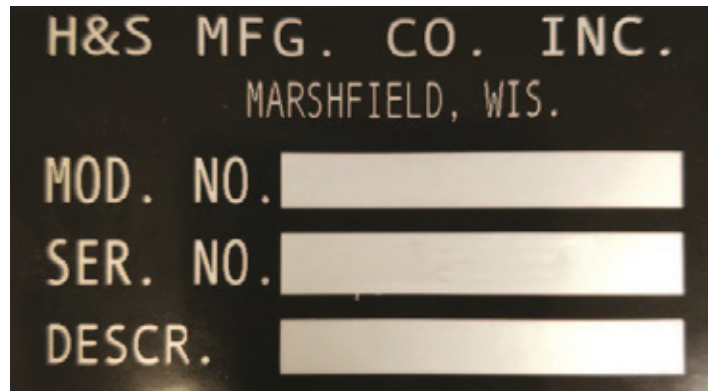
# **INSTRUCTIONS FOR ORDERING PARTS**

All service parts should be ordered through your authorized H&S dealer. He will be able to give you faster service if you will provide them with the following:

1. Model & Serial Number - Both can be located on the front, left side of the PTO bearing support mount.
2. All references to left or right apply to the machine as viewed from the rear.
3. Parts should not be ordered from illustration only. Please order complete part number.
4. If your dealer has to order parts - give shipping instructions:

VIA truck - large pieces (please specify local truck lines)

VIA United Parcel Service (include full address)



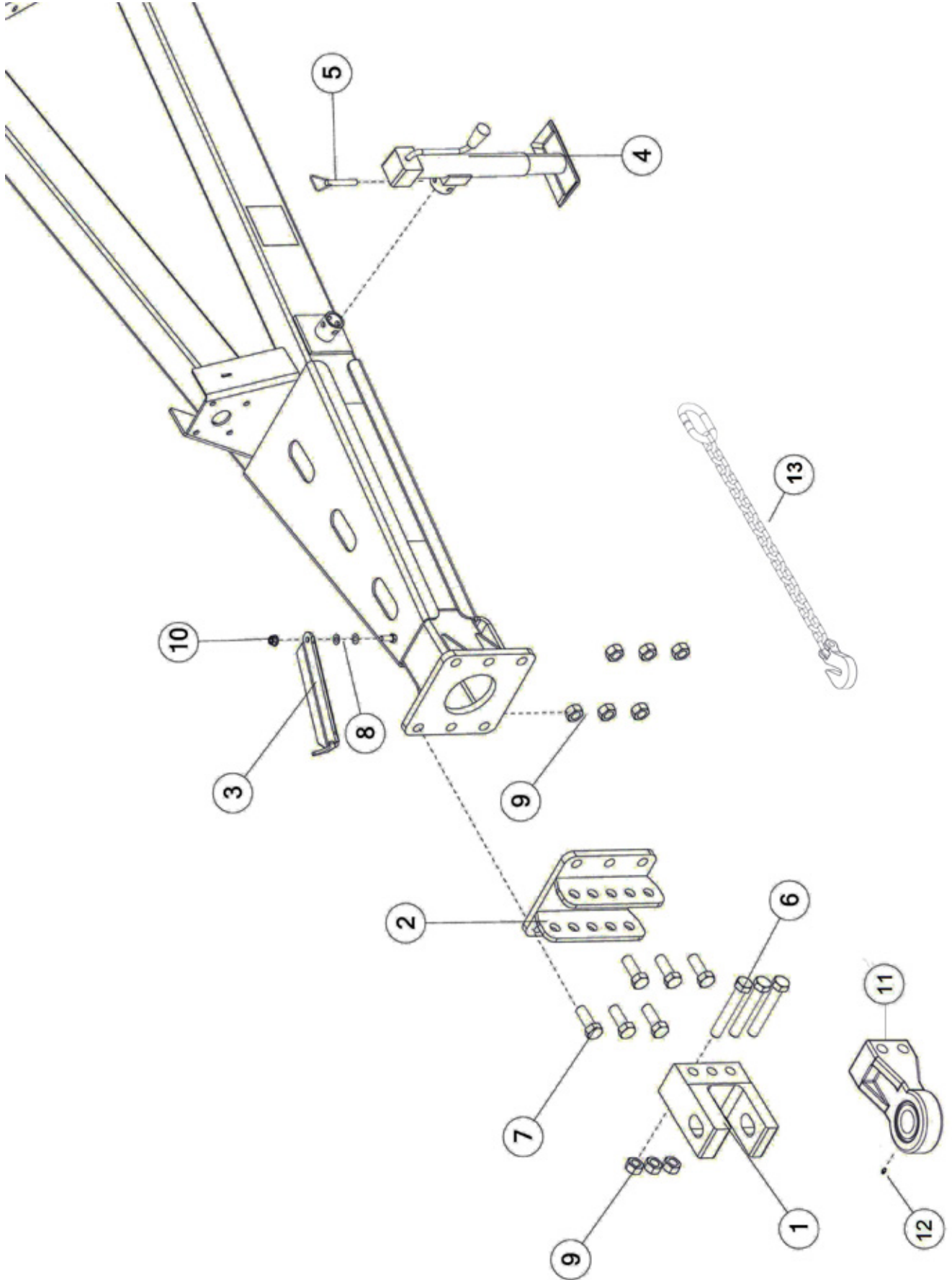
PLEASE RECORD NUMBERS FOR YOUR UNIT FOR QUICK REFERENCE

## **ABOUT IMPROVEMENTS**

H&S IS CONTINUALLY STRIVING TO IMPROVE ITS PRODUCTS

We must, therefore, reserve the right to make improvements or changes whenever it becomes practical to do so, without incurring any obligation to make changes or additions to the equipment previously sold.

# **FIGURE 1** **HITCH & COMPONENTS**

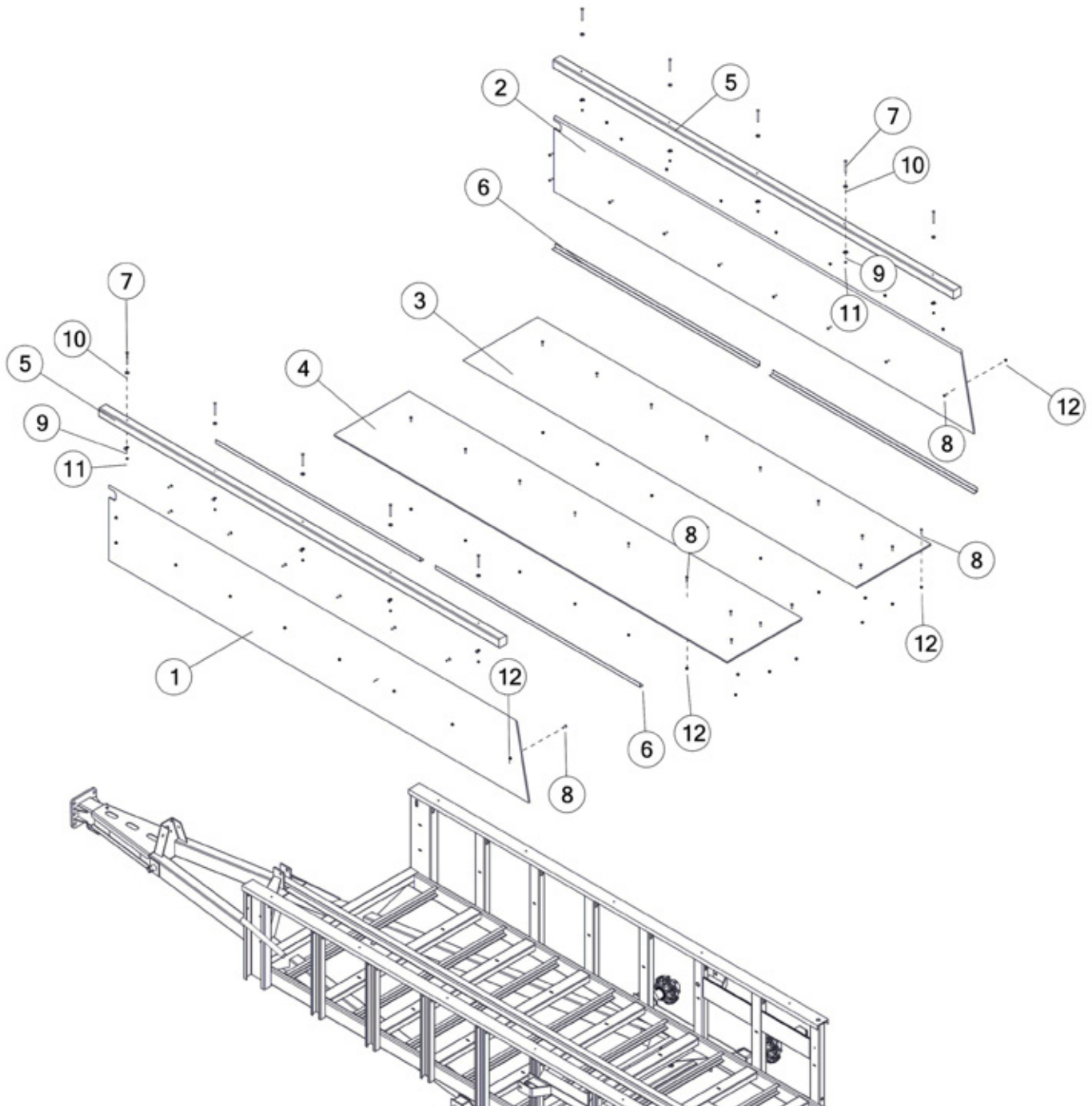


# FIGURE 1

## HITCH & COMPONENTS

<u>ITEM</u>	<u>QTY</u>	<u>PART#</u>	<u>DESCRIPTION</u>
1	1	56310	HEAVY CLEVIS OPTION
2	1	89538	HITCH MOUNT
3	1	42N2	PTO HOLDER
4	1	27N49	JACK W/MOUNT-5000# SW 10 LIFT
5	1	12N117	PIN, 0.56, 5.19, JACK
6	3	YBHH32028	BOLT HEX, 1-8 X 6-1/2 G8 ZY
7	6	YBHH32006	BOLT HEX, 1-8 X 2-3/4 G5
8	2	42N3	SPRING
9	9	YNL32005	NUT HEX, 1-8 LKTL C ZC
10	1	YNFG16003	NUT FLANGE, 1/2 GF
11	1	58290	ARTICULATING HITCH OPTION
12	1	G89	STRAIGHT ZERK, 1/4
13	1	SC40500	SAFETY CHAIN, 40,500 LB RATING, OPTIONAL

# **FIGURE 2** **FLOOR & SIDE COMPONENTS**

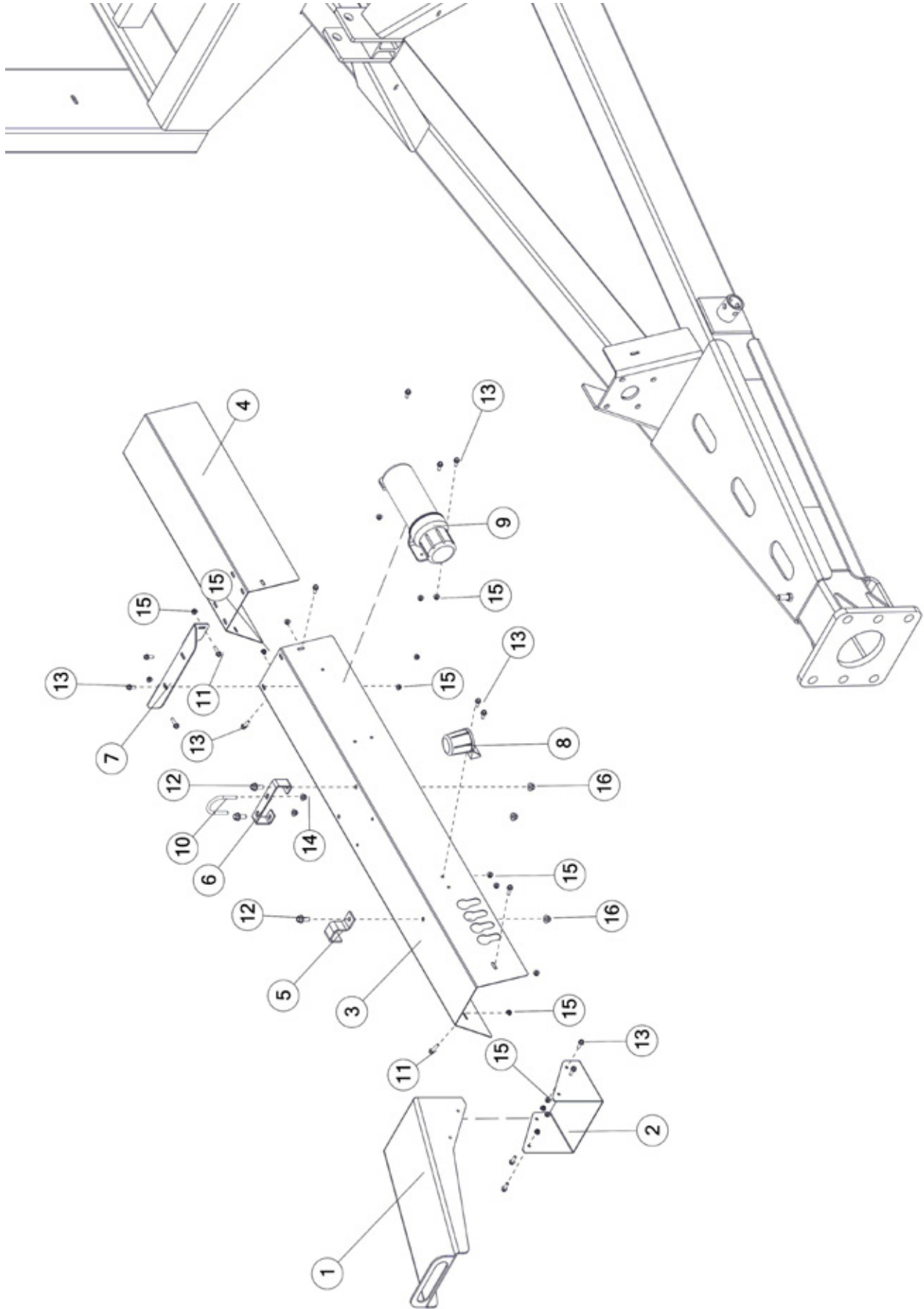


## FIGURE 2

### FLOOR & SIDE COMPONENTS

<u>ITEM</u>	<u>QTY</u>	<u>PART#</u>	<u>DESCRIPTION</u>
1	1	42N9B	SIDE POLY W/DECALS LH
2	1	42N8B	SIDE POLY W/DECALS RH
3	1	42N10	FLOOR POLY RH
4	1	42N11	FLOOR POLY LH
5	2	90592	POLY TOP RAIL
6	4	89814	POLY SIDE ANGLE
7	10	YBCR12105	BOLT CARRIAGE, FT, 3/8-16 X 4-1/2 G5 ZC
8	38	YSFS12016	BOLT FLAT SOK, 3/8-16X1-1/2 ZC
9	10	HGV162	CUSHION WIRE CLAMP, 1/2
10	10	YWFL16005	WASHER FLAT, 1/2 USS
11	10	YNHX12005	NUT HEX, 3/8-16 NAA ZC
12	38	YNFG12006	NUT FLANGE, 3/8 GF

# **FIGURE 3** **PTO SHIELD & COMPONENTS**



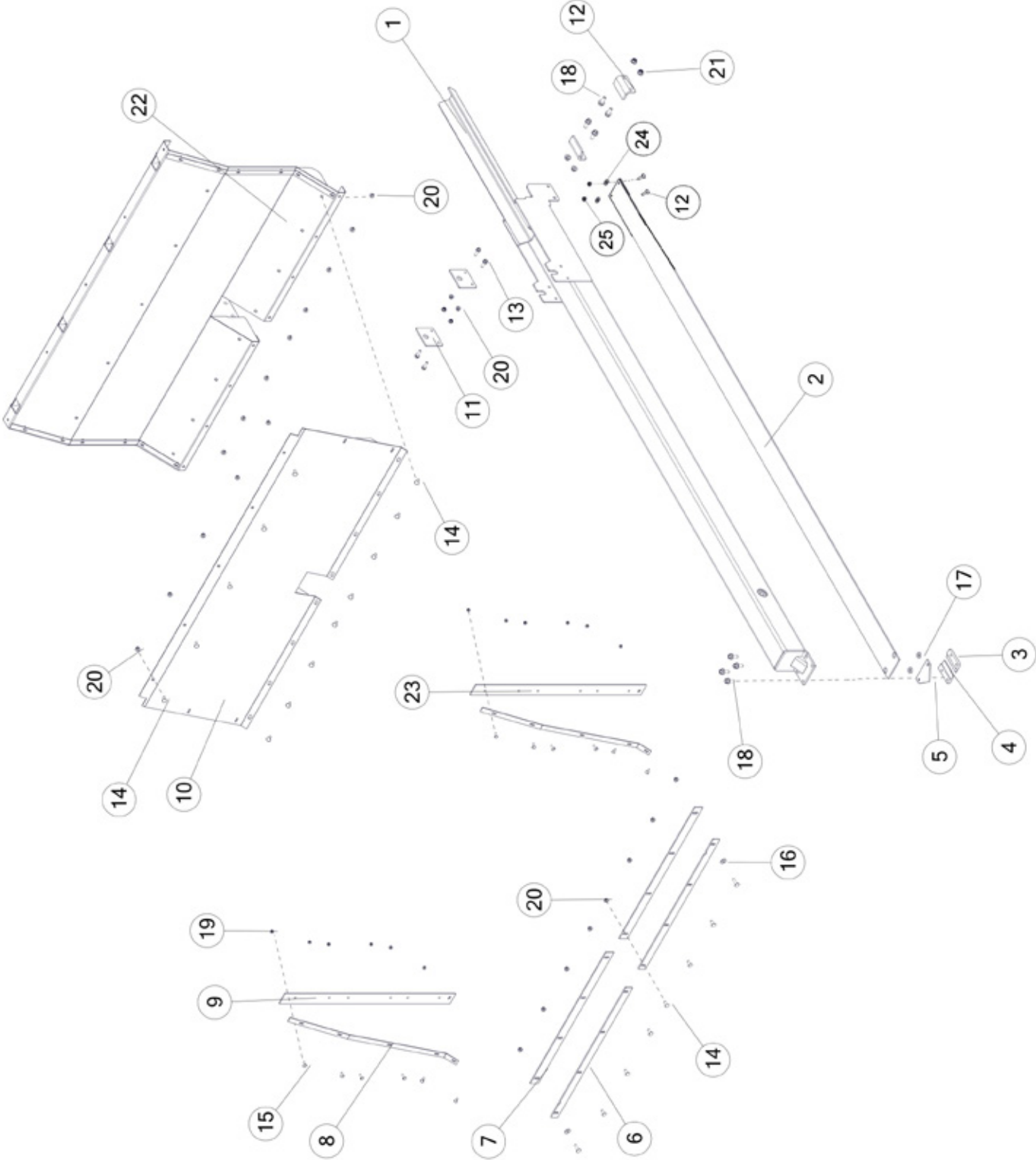


## FIGURE 3

### PTO SHIELD & COMPONENTS

<u>ITEM</u>	<u>QTY</u>	<u>PART#</u>	<u>DESCRIPTION</u>
1	1	90164B	PTO SHIELD W/DECALS
2	1	90168	LOWER PTO SHIELD
3	1	88914B	INPUT SHIELD W/DECALS
4	1	88915	INPUT SHIELD
5	1	HE14	SMALL PIPE BRACKET
6	1	89639	HOSE HOLDER
7	1	88927	INPUT SHIELD ANGLE
8	1	CHM38	PLUG STORAGE
9	1	S522	MANUAL HOLDER
10	1	YBPU10007	PIPE U BOLT, 5/16 X 1-1/2
11	4	YBFB08100	BOLT FLANGE, 1/4 X 1 G5
12	3	YBFB12003	BOLT FLANGE, 3/8 X 1 G5
13	13	YBFB08075	BOLT FLANGE, 1/4 X 3/4 G5
14	2	YNFG10005	NUT FLANGE, 5/16 GF
15	17	YNFG08010	NUT FLANGE, 1/4 GF
16	3	YNFG12006	NUT FLANGE, 3/8 GF

**FIGURE 4**  
**PUSHER COMPONENTS**

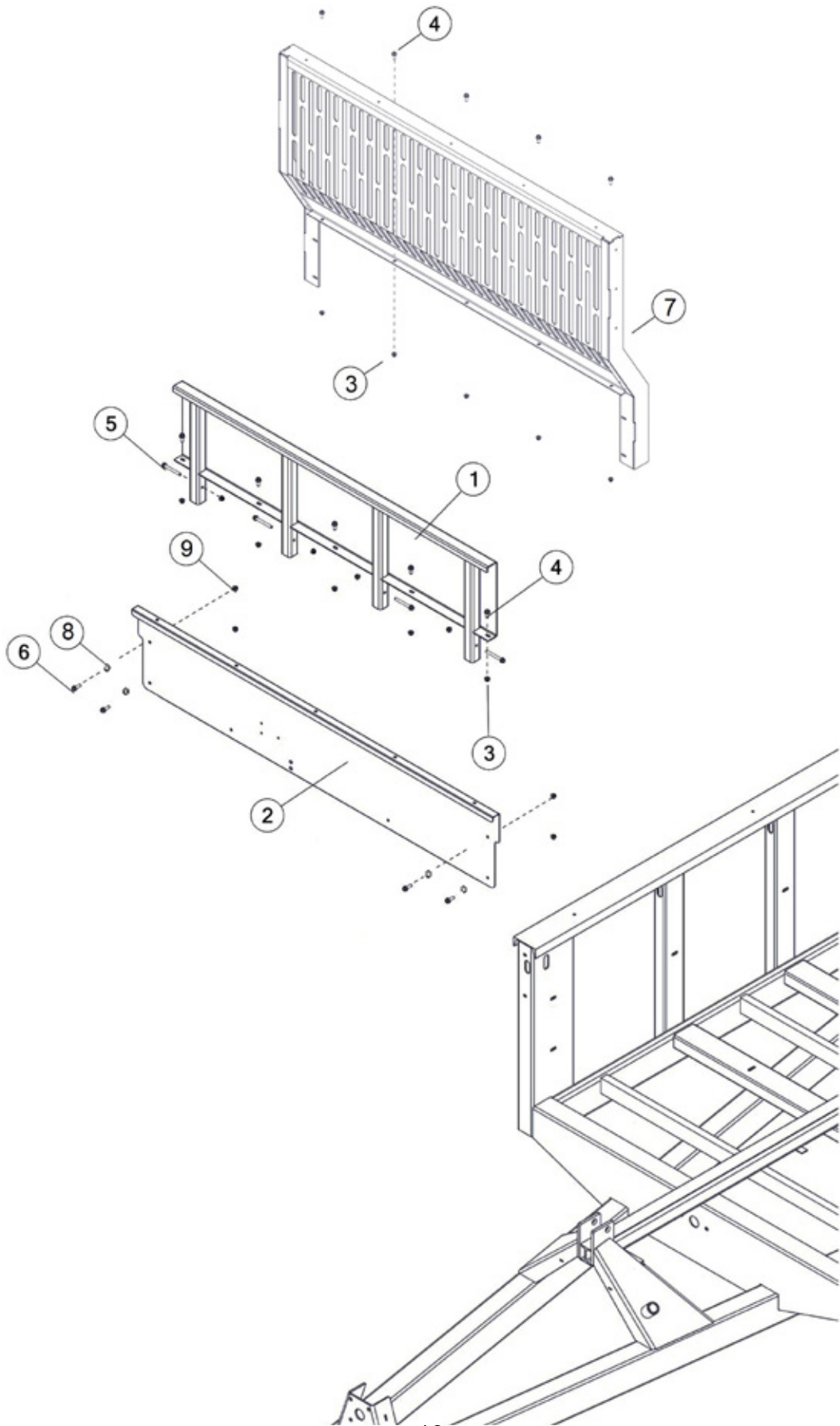


## FIGURE 4

### PUSHER COMPONENTS

<u>ITEM</u>	<u>QTY</u>	<u>PART#</u>	<u>DESCRIPTION</u>
1	1	42N74	MOVEABLE FLOOR TUBE
2	1	42N149	PUSHER TUBING SLIDE
3	1	42N78	END CAP CLAMP RIGHT
4	1	42N79	END CAP CLAMP LEFT
5	1	42N151	SCRAPER
6	2	42N139	PUSHER BOTTOM RUBBER
7	2	42N81	PUSHER WIPER
8	2	HGV116	FLAT PUSHER SEAL STRAP
9	2	42N92	PUSHER RUBBER LEFT
10	1	90090	FLAT PUSHER FACE
11	2	42N77	CYLINDER RETAINER
12	2	42N76	PUSHER TUBE FRONT GUIDE
13	4	YBHH12035	BOLT HEX, 3/8 X 1-1/4 G5
14	21	YBCR12010	BOLT CARRIAGE, 3/8-16 X 1 G5 ZC
15	10	YBCR08005	BOLT CARRIAGE, 1/4-20 X 1 G5 ZC
16	2	YWFL14005	WASHER FLAT, 7/16 USS ZINC
17	2	42N150	POLY SPACER
18	8	YBFB16150	BOLT FLANGE, 1/2 X 1-1/2 G5
19	10	YNFG08010	NUT FLANGE, 1/4 GF
20	25	YNFG12006	NUT FLANGE, 3/8 GF
21	4	YNFG16003	NUT FLANGE, 1/2 GF
22	1	90074	PUSHER FRAME
23	1	42N93	PUSHER RUBBER RIGHT
24	2	YWLO12005	WASHER LOCK, 3/8
25	2	YNHX12005	NUT HEX, 3/8-16 NAA ZC

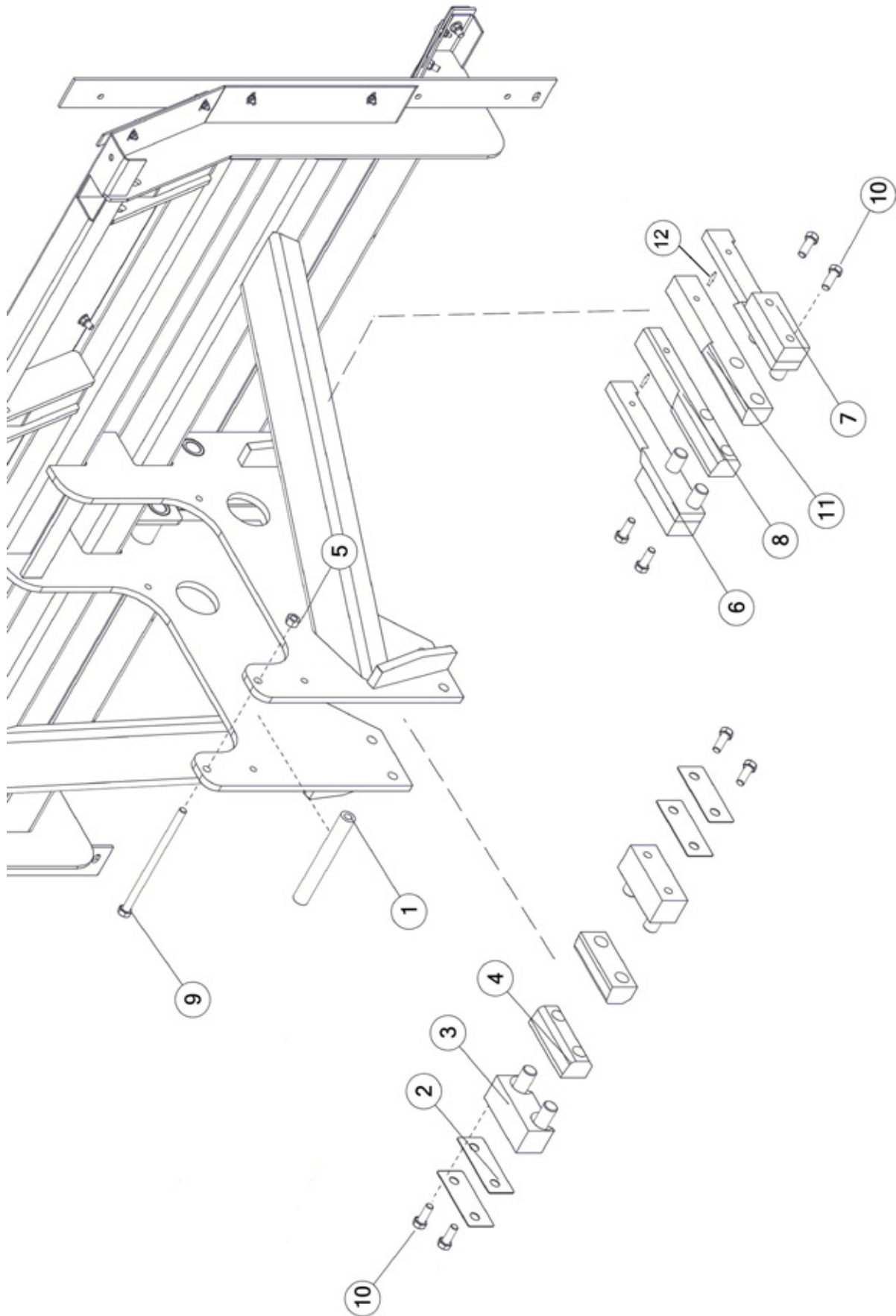
# **FIGURE 5** **PUSHER EXTENSION & COMPONENTS**



**FIGURE 5**  
**PUSHER EXTENSION & COMPONENTS**

<b><u>ITEM</u></b>	<b><u>QTY</u></b>	<b><u>PART#</u></b>	<b><u>DESCRIPTION</u></b>
1	1	90065	PUSHER EXTENSION
2	1	89619B	FRONT PANEL W/DECALS
3	9	YNFG12006	NUT FLANGE, 3/8 GF
4	5	YBFB12003	BOLT FLANGE, 3/8 X 1 G5 ZC
5	4	YBFB12350	BOLT FLANGE, 3/8 X 3-1/2 G5
6	4	YBFB16150	BOLT FLANGE, 1/2 X 1-1/2 G5
7	1	88863	STONE GUARD
8	4	YWFL18005	WASHER FLAT, 9/16
9	4	YNFG16003	NUT FLANGE, 1/2 GF

# **FIGURE 6** **PUSHER SPACERS & COMPONENTS**

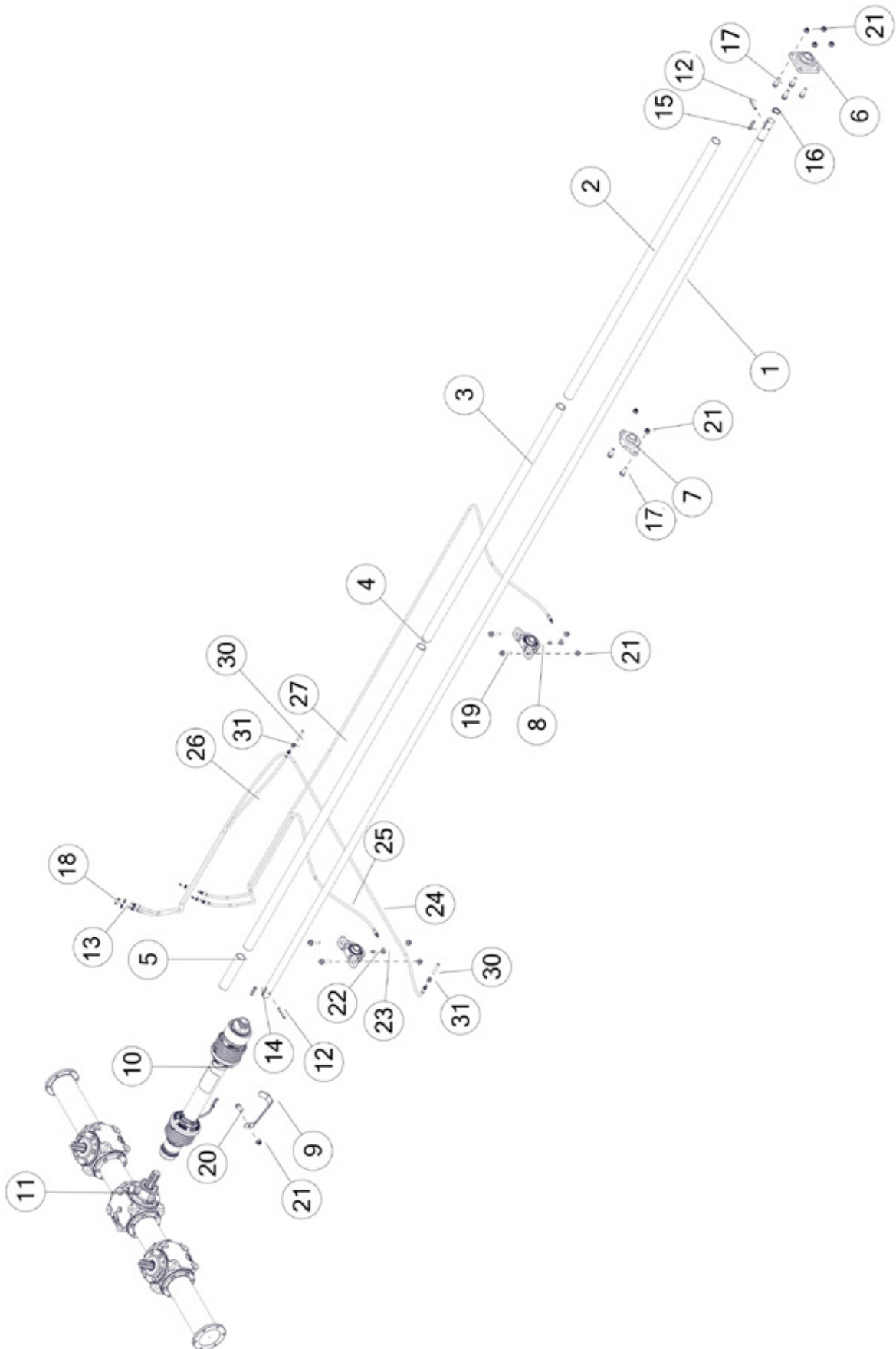


## **FIGURE 6**

### **PUSHER SPACERS & COMPONENTS**

<b><u>ITEM</u></b>	<b><u>QTY</u></b>	<b><u>PART#</u></b>	<b><u>DESCRIPTION</u></b>
1	1	42N91	PUSHER SPACER
2	4	42N114	PUSHER SHIM
3	2	42N85	POLY BLOCK SPACER FRONT
4	2	42N86	PUSHER POLY SLIDE
5	1	YNRL16005	NUT HEX, 1/2-13 LKRS A ZC
6	1	42N87	POLY BLOCK SPACER, RH
7	1	42N90	POLY BLOCK SPACER, LH
8	1	42N88	PUSHER POLY SLIDE, RH
9	1	YBHH16185	BOLT HEX, 1/2 X 9 G5
10	8	YBHH20015	BOLT HEX, 5/8 X 1-1/4 G5
11	1	42N89	PUSHER POLY SLIDE, LH
12	2	YPEx12020	EXPANSION PIN, 3/8 X 2

# **FIGURE 7** **GEARBOX DRIVE & COMPONENTS**



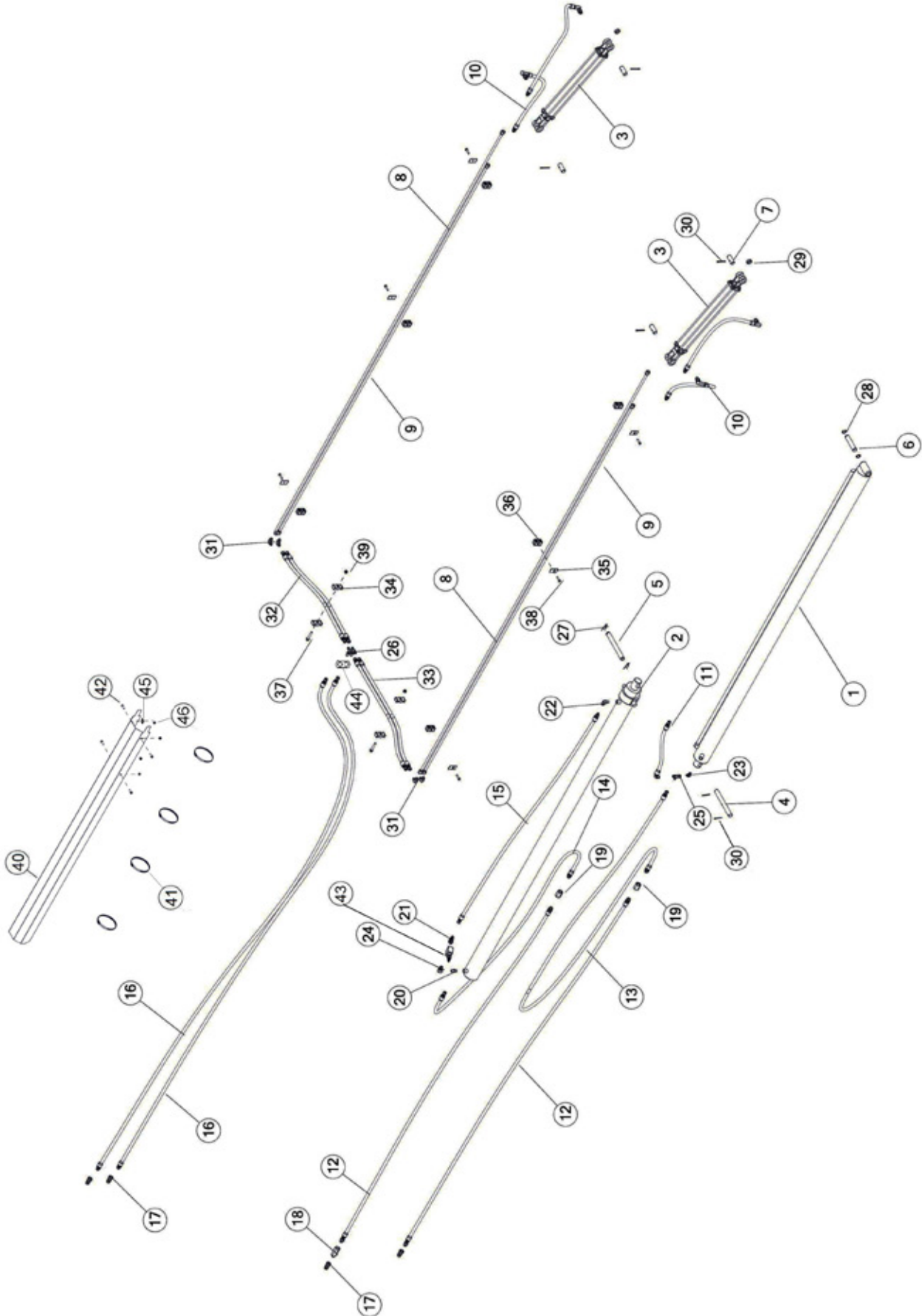


## FIGURE 7

### GEARBOX DRIVE & COMPONENTS

<u>ITEM</u>	<u>QTY</u>	<u>PART#</u>	<u>DESCRIPTION</u>
1	1	87954	INPUT SHAFT
2	1	42N16	INPUT PVC SHIELD
3	1	42N19	DRIVE SHAFT CENTER PVC SHIELD
4	1	89518	DRIVE SHAFT MIDDLE PVC SHIELD
5	1	87955	DRIVE SHAFT BACK PVC SHIELD
6	1	12V99	BEARING, 5.13 X 1.50 X 2.02, FLANGE
7	1	42N18	PILLOW BLOCK BEARING W/STRAIGHT, 1-1/2
8	2	60659	BEARING
9	1	90511	PTO HOLDER
10	1	87914	COMPLETE PTO 1-3/4 1000 RPM
11	1	93018	VERTICAL BEATER GEARBOX ASSEMBLY
12	2	YPEX12025	EXPANSION PIN, 3/8 X 2-3/4
13	4	YNJM04005	NUT JAM, 1/8 A
14	1	PB87	SQUARE KEY, 3/8 X 2
15	1	S138	SQRE KEY, 3/8 X 2-3/8
16	1	12V62	HEAVY DUTY EXTERNAL SNAP RING, 1-1/2
17	6	YBFB16175	BOLT FLANGE, 1/2 X 1-3/4 G5
18	4	G89	STRAIGHT ZERK, 1/4-28
19	4	YBFB16200	BOLT FLANGE, 1/2 X 2 G5
20	1	YBFB16125	BOLT FLANGE, 1/2 X 1-1/4 G5
21	11	YNFG16003	NUT FLANGE, 1/2 GF
22	2	TS323	FITTING STRAIGHT, 1/4-28, 1/8-27NPT
23	2	58453	FITTING, 90, 1/8NPT, 1/8NPT
24	1	89728	GREASE HOSE, 3, 134
25	1	89723	GREASE HOSE, 3, 77
26	1	88909	GREASE HOSE, 3, 66
27	1	89725	GREASE HOSE, 3, 161

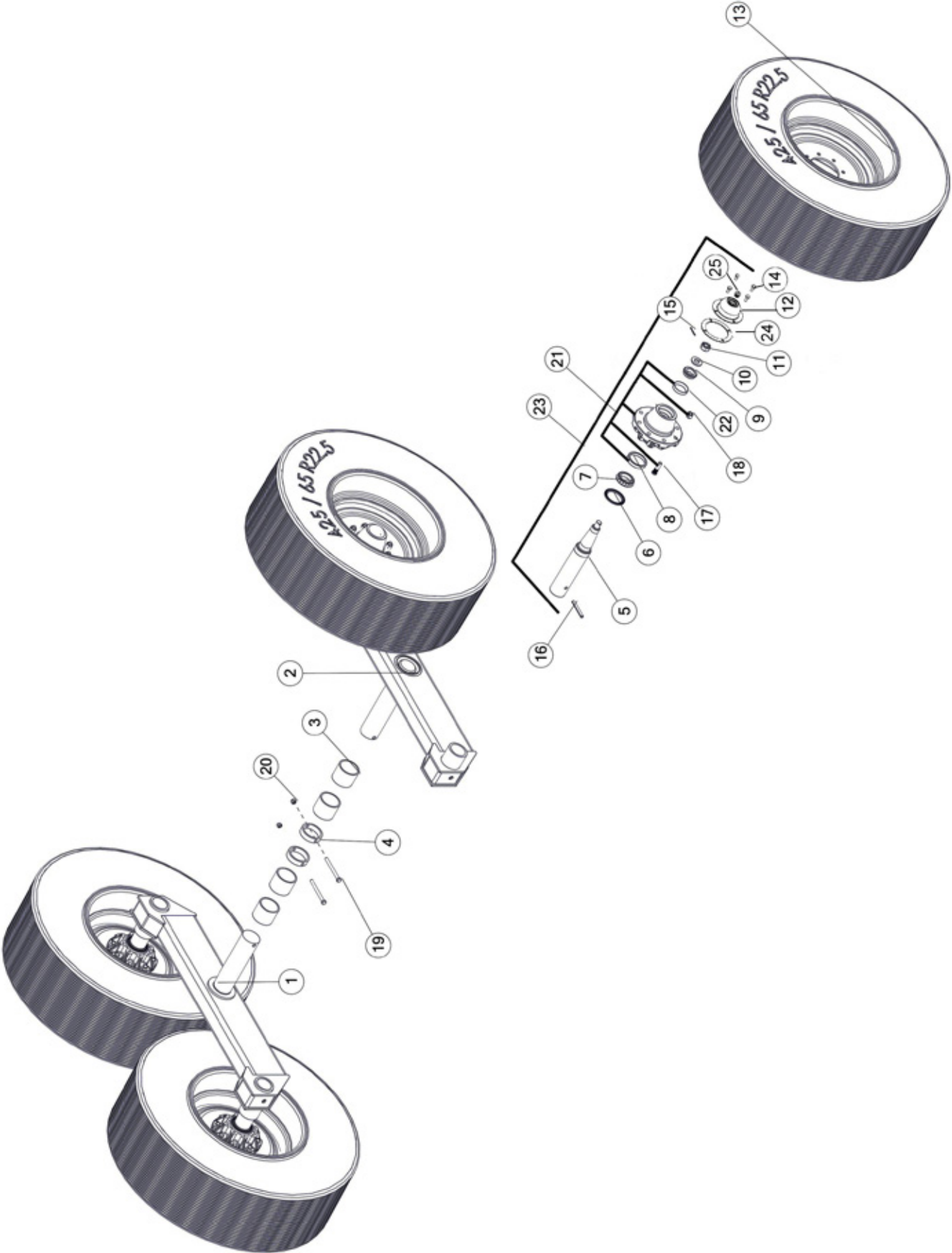
**FIGURE 8**  
**HYDRAULICS**



## FIGURE 8 HYDRAULICS

<u>ITEM</u>	<u>QTY</u>	<u>PART#</u>	<u>DESCRIPTION</u>
1	1	42N70	HYDRAULIC CYLINDER, TRUNNION 3-1/2 X 90
2	1	42N69	HYDRAULIC CYLINDER, GIMBAL 3-1/2 X 90
3	2	90970	HYDRAULIC CYLINDER, 2 X 20
4	1	42N71	CYLINDER PIN
5	1	42N72	PUSHER CYLINDER PIN
6	1	42N80	REAR CYLINDER PIN
7	4	56N141	SHAFT, RND, 1.00 X 2.50, PIN, CYLINDER
8	2	90968	HYDRAULIC TUBE, 1/2 X 144
9	2	90969	HYDRAULIC TUBE, 1/2 X 132
10	4	90972	HYDRAULIC HOSE, 6, 36
11	1	89579	HYDRAULIC HOSE, 6, 20
12	2	89588	HYDRAULIC HOSE, 6, 126
13	1	89594	HYDRAULIC HOSE, 6, 164
14	1	89586	HYDRAULIC HOSE, 6, 88
15	1	89581	HYDRAULIC HOSE, 6, 77
16	2	89629	HYDRAULIC HOSE, 6, 182
17	4	67148	FTG, ST, 8ORB, QUICK COUPLER TIP
18	1	89576	HYDRAULIC VALVE, CHECK
19	2	90154	FITTING STRAIGHT, 10ORB, 10ORB
20	1	16SV351	FITTING STRAIGHT, 6NPT X 6NPT
21	1	89574	FITTING T, 6 JIC, 6 JIC, 8 ORB
22	1	CHM164	FITTING, 90, 6JIC X 3/8NPT
23	1	58151	FITTING 45, 3/8JIC, 3/8-18NPTF
24	1	55923	8 ORB TO 3/8 NPTF, 90 DEG
25	1	CHM242	FITTING, TEE, 6JIC X 6JIC X 6JIC
26	2	8005	FITTING TEE, 8JIC X 8JIC X 8JIC, BULKHEAD
27	2	YPHR02020	HAIR PIN, #23-10
28	2	3G21	SNAP RING, 1 HEAVY DUTY
29	2	K132	SPACER, 3/8 LONG
30	4	YPCT05025	COTTER PIN, 5/32 X 2
31	4	58187	FITTING, 8-6 ETX-S
32	2	89635	HYDRAULIC HOSE, 6, 32
33	2	89632	HYDRAULIC HOSE, 6, 45
34	4	86567	DOUBLE CLAMP, UNIVERSAL
35	6	56563	CLAMP TOP PLATE
36	6	TS118	LINE CLAMP BLOCK ( PART OF T2008S)
37	2	YBFB12250	BOLT FLANGE, 3/8 X 2-1/2 G5
38	6	56568	CLAMP BOLT, 5/16-18 x 1-3/8
39	2	YNFG12006	NUT FLANGE, 3/8 GF
40	1	88849B	CYLINDER SHIELD W/DECALS
41	4	12V70	HOSE CLAMP
42	4	YBFB12125	BOLT FLANGE, 3/8 X 1-1/4
43	1	89573	HYDRAULIC VALVE, SEQUENCE
44	1	92935	BULKHEAD SPACER
45	4	YWLO12005	WASHER LOCK, 3/8
46	4	YNHX12005	NUT HEX, 3/8 G2

**FIGURE 9**  
**TANDEM AXLE AND WHEEL COMPONENTS**



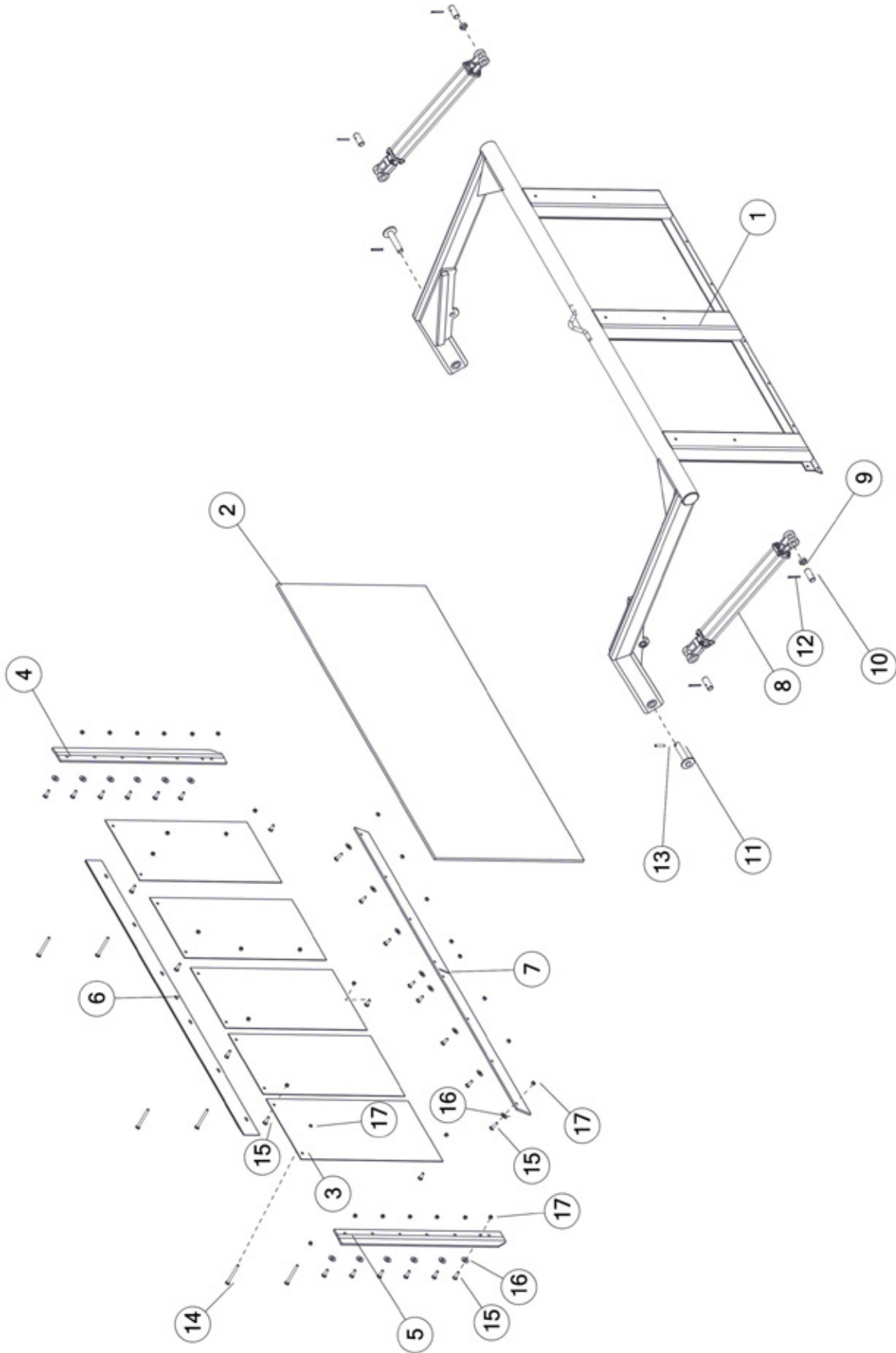
## FIGURE 9

### TANDEM AXLE AND WHEEL COMPONENTS

<u>ITEM</u>	<u>QTY</u>	<u>PART#</u>	<u>DESCRIPTION</u>
1	1	42N7	TANDEM AXLE RH
2	1	42N6	TANDEM AXLE LH
3	4	45N36	POLY BUSHING
4	2	45N35	AXLE KEEPER
5	4	93106	SPINDLE
6	4	93107	GREASE SEAL
7	4	33SV43	TAPERED ROLLER BEARING, 2.25 BORE
8	4	33SV44	INNER RACE
9	4	17G150	TAPERED ROLLER BEARING, 1.625 BORE
10	4	33SV95	SPINDLE WASHER
11	4	YNSL32005	NUT SLOT, 1-14 NA G2 NF
12	4	93110	HUB CAP
13	1	TWP425S	(4) 425 X 22.5 USED TRUCK TIRES W/SILVER 8 BOLT RIMS
*	4	90192	ASSEMBLY, TIRE AND WHEEL
*	4	90185	WHEEL, 22.5 X 13.5 8 BOLT SILVER
*	4	16SV88	TIRE, 425 X 22.5
*	4	72438	VALVE STEM, 1-1/2
13	1	TWP19LS	(4) 19L X 16.1 10 PLY TIRES W/ SILVER 8 BOLT RIMS
*	4	90193	ASSEMBLY, TIRE AND WHEEL
*	4	90186	WHEEL, W16C-16.1 8 BOLT SILVER
*	4	UR8	19L X 16.1 TIRE
*	4	72437	VALVE STEM, 1.25IN HD
13	1	TWP5508S	(4) 550/45 X 22.5 TIRES W/ SILVER 8 BOLT RIMS
*	2	90197	ASSEMBLY, TIRE AND WHEEL, RH
*	2	90187	WHEEL, 22.5 X 16.00 8 BOLT SILVER
*	2	33381	TIRE, 550/45 - 22.5 16PLY FLOATATION
*	2	72437	VALVE STEM, 1.25IN HD
*	2	90198	ASSEMBLY, TIRE AND WHEEL, LH
14	4	YBHH08063	BOLT HEX, 1/4 X 5/8 G5
15	4	YPCT07175	COTTER PIN, 7/32 X 1-3/4
16	4	YPEX16020	EXPANSION PIN, 1/2 X 4
17	32	YBSD20010	BOLT STUD, 5/8 X 2-1/2 G8
18	32	YNWL20005	NUT WHEEL, 5/8-18 NA G5 ZC
19	2	YBHH16160	BOLT HEX, 1/2-13 X 5-1/2 G5
20	2	YNNY16005	NUT HEX, 1/2-13 LKNY G2 ZC
21	4	93103	HUB
22	4	17G149	RACE
23	4	93112	HUB AND SPINDLE ASSEMBLY
24	1	93109	GASKET
25	1	93111	OIL PLUG

\* NOT SHOWN

# FIGURE 10 ENDGATE & COMPONENTS



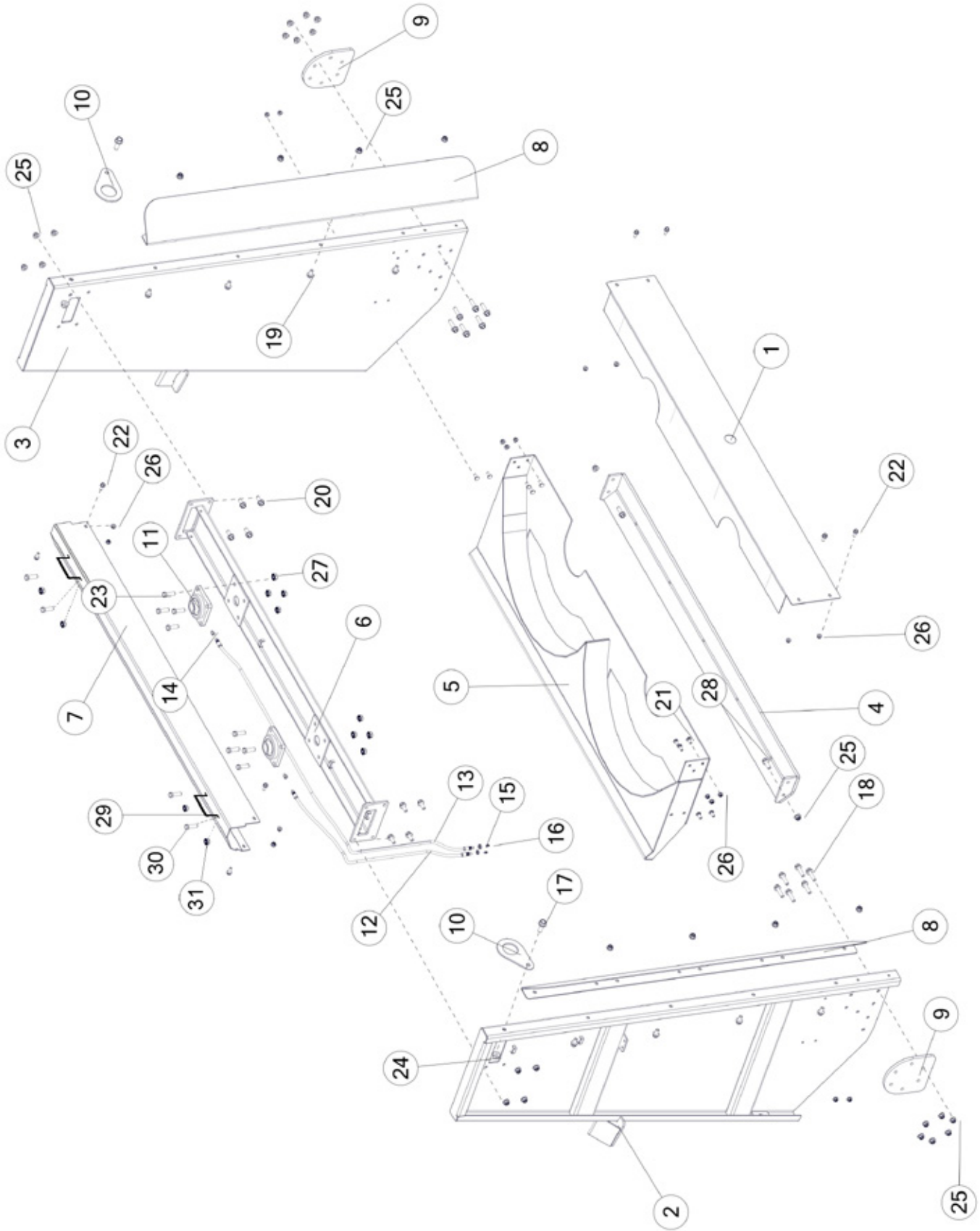
## FIGURE 10

### ENDGATE & COMPONENTS

<u>ITEM</u>	<u>QTY</u>	<u>PART#</u>	<u>DESCRIPTION</u>
1	1	42N28B	END GATE W/DECALS
2	1	42N34	ENDGATE POLY
3	5	42N165	ENDGATE CURTAIN
4	1	42N31	ENDGATE RUBBER RIGHT
5	1	42N32	ENDGATE RUBBER LEFT
6	1	89816	POLY HOLD DOWN
7	1	42N33	ENDGATE RUBBER
8	2	90970	HYDRAULIC CYLINDER, 2 X 20
*	2	56187	SEAL KIT
9	2	K132	SPACER, 3/8 LONG
10	1	56N141	SHAFT, RND, 1 X 2-1/2, PIN, CYLINDER
11	2	42N29	HINGE PIN
12	4	YPCT05025	COTTER PIN, 5/32 X 2
13	2	YPEX12020	EXPANSION PIN, 3/8 X 2
14	6	YBCR12105	BOLT CARRIAGE, FT, 3/8-16 X 4-1/2 G5 ZC
15	27	YBCR12015	BOLT CARRIAGE, 3/8-16 X 1-1/2 G5 ZC
16	24	YWFL16005	WASHER FLAT, 1/2 USS
17	33	YNHX12005	NUT HEX, 3/8-16 NAA ZC

\* NOT SHOWN

# FIGURE 11 BEATER PANELS & COMPONENTS



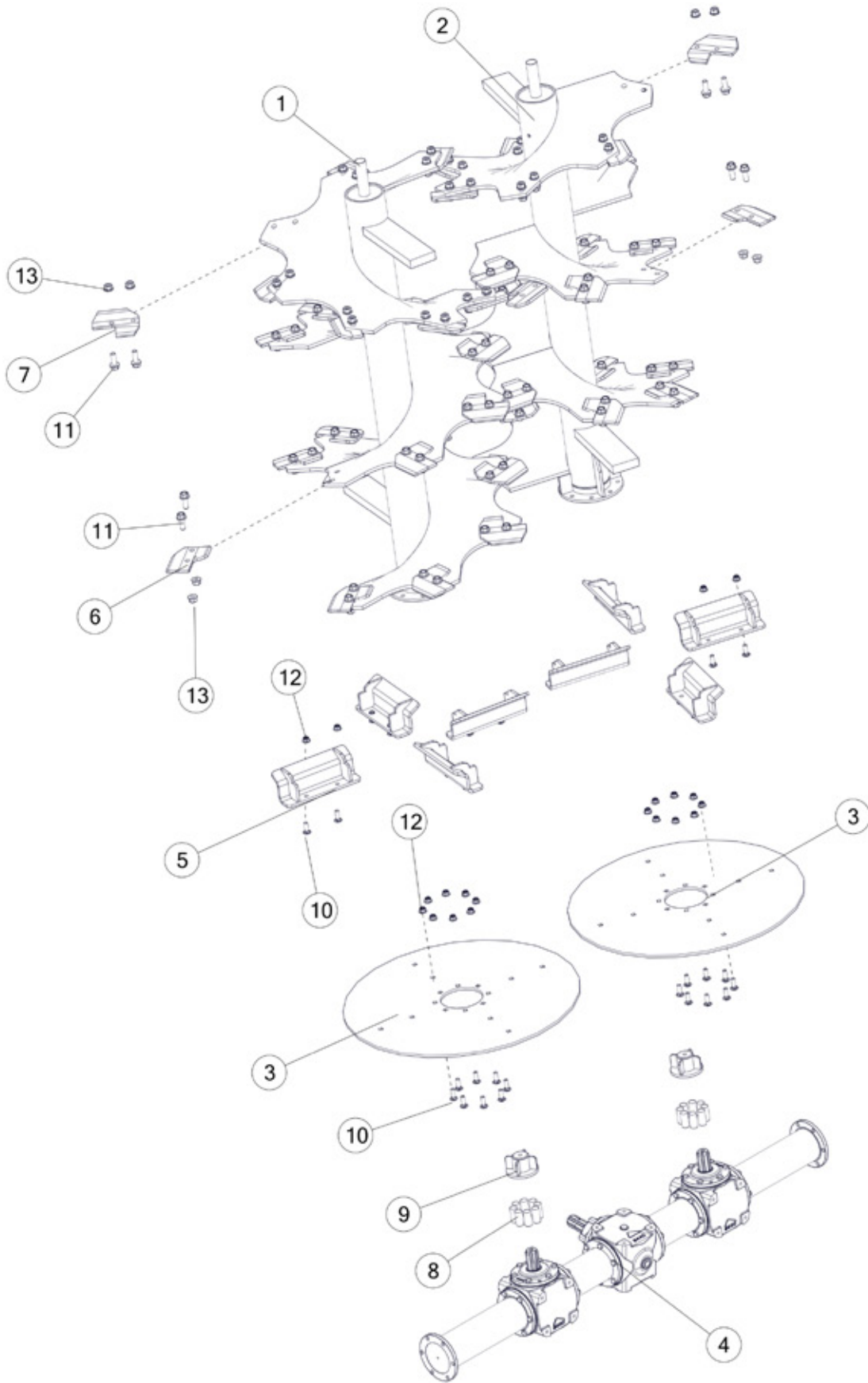


# FIGURE 11

## BEATER PANELS & COMPONENTS

<u>ITEM</u>	<u>QTY</u>	<u>PART#</u>	<u>DESCRIPTION</u>
1	1	87691	GEARBOX COVER
2	1	88837B	BEATER PANEL W/DECALS LH
3	1	88839B	BEATER PANEL W/DECALS RH
4	1	90870	BEATER SKID PLATE
5	1	87622	BEATER PAN
6	1	87578B	UPPER BEARING MOUNT W/DECALS
7	1	87579B	BEARING SHIELD W/DECALS
8	2	85230	BEATER DEFLECTOR
9	2	87568	BEATER SUPPORT LEG
10	2	HGV50	LIFTING EYE
11	2	12V99	BRG, 5.13 X 1.50 X 2.02, FLANGE
12	1	89739	GREASE HOSE, 3, 42
13	1	89741	GREASE HOSE, 3, 77
14	2	TS323	FITTING STRAIGHT, 1/4-28, 1/8-27NPT
15	2	YNJM04005	NUT, JAM, 1/8 A
16	2	G89	STRAIGHT ZERK, 1/4-28
17	2	YBFB20175	BOLT FLANGE, 5/8 X 1-3/4 G5
18	12	YBFB16200	BOLT FLANGE, 1/2 X 2 G5
19	8	YBFB16100	BOLT FLANGE, 1/2 X 1 G5
20	8	YBFB16125	BOLT FLANGE, 1/2 X 1-1/4 G5
21	6	YBCR12010	BOLT CARRIAGE, 3/8-16 X 1 G5 ZC
22	8	YBFB12003	BOLT FLANGE, 3/8 X 1 G5
23	8	YBHH18010	BOLT HEX, 9/16 X 1-3/4 G5 ZINC
24	2	YNFG20005	NUT FLANGE, 5/8-11 LKTL F ZC
25	22	YNFG16003	NUT FLANGE, 1/2 GF
26	8	YNFG12006	NUT FLANGE, 3/8 GF
27	8	YNSF18005	NUT FLANGE, 9/16-12 LKSF CH ZC
28	2	YBFB16150	BOLT FLANGE, 1/2 X 1-1/2 G5
29	2	TS96	SHIELD HANDLE
30	4	YBHH08100	BOLT HEX, 1/4 X 3/4 G5
31	4	YNFG08010	NUT FLANGE, 1/4 GF

# **FIGURE 12** **BEATERS & COMPONENTS**

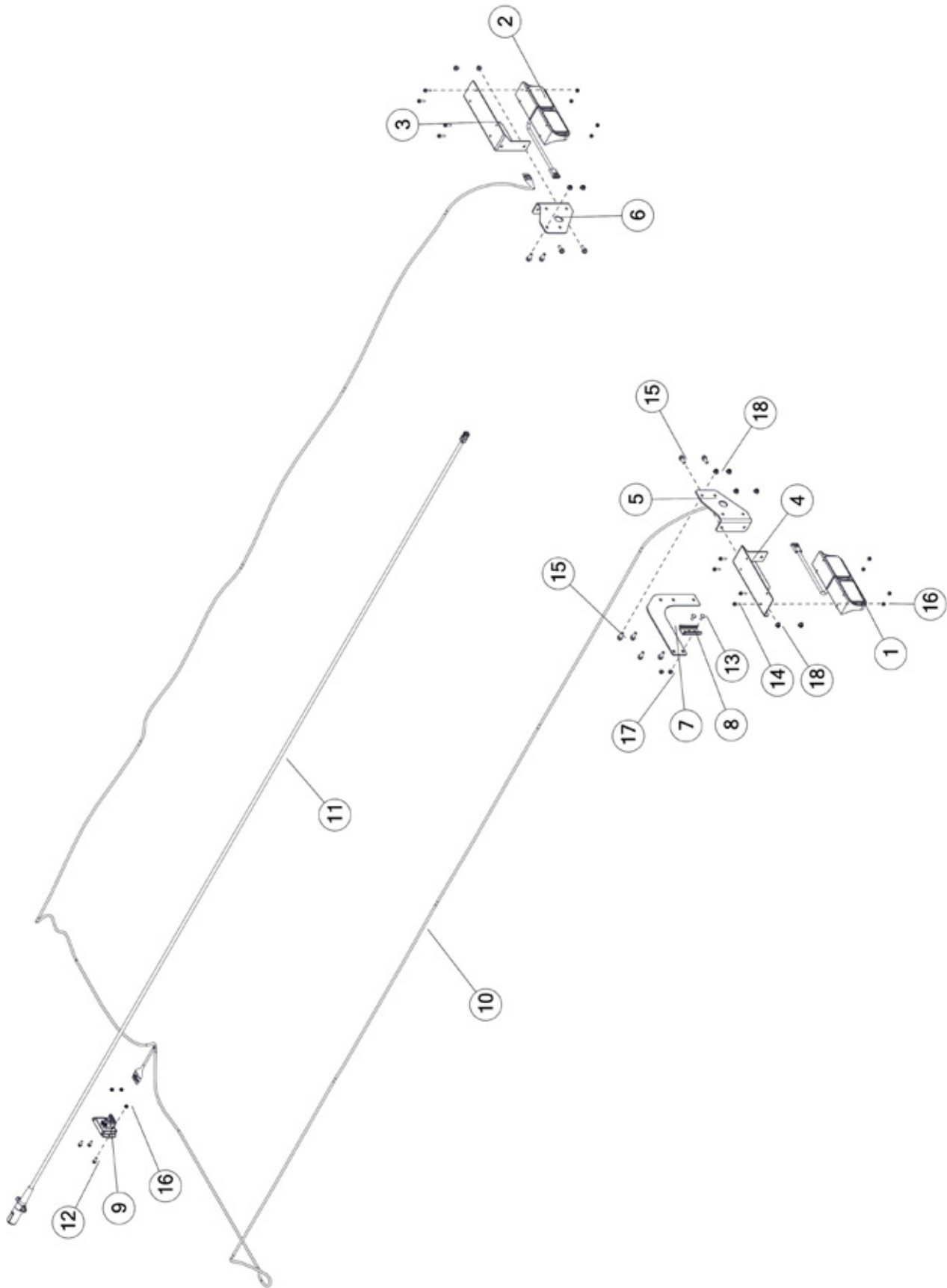


## **FIGURE 12**

### **BEATERS & COMPONENTS**

<b><u>ITEM</u></b>	<b><u>QTY</u></b>	<b><u>PART#</u></b>	<b><u>DESCRIPTION</u></b>
1	1	87975	BEATER WLDMT LH
2	1	87979	BEATER WLDMT RH
3	2	87538	BEATER DISK
4	1	93018	VERTICAL BEATER GEARBOX ASSEMBLY
5	8	87596	SPINNER BLADE WLDMT
6	21	HGV122	BEATER BLADE, LH
7	21	HGV123	BEATER BLADE, RH
8	16	87886	POLY ROD
9	2	87559	GEARBOX SPLINE COUPLER
10	32	YBCR16010	BOLT CARRIAGE, 1/2-13 X 1-1/2 G5 ZC
11	84	YBFB20175	BOLT FLANGE, 5/8 X 1-3/4 G5
12	32	YNFG16003	NUT FLANGE, 1/2 GF
13	84	YNFG20005	NUT FLANGE, 5/8-11 LKTL F ZC

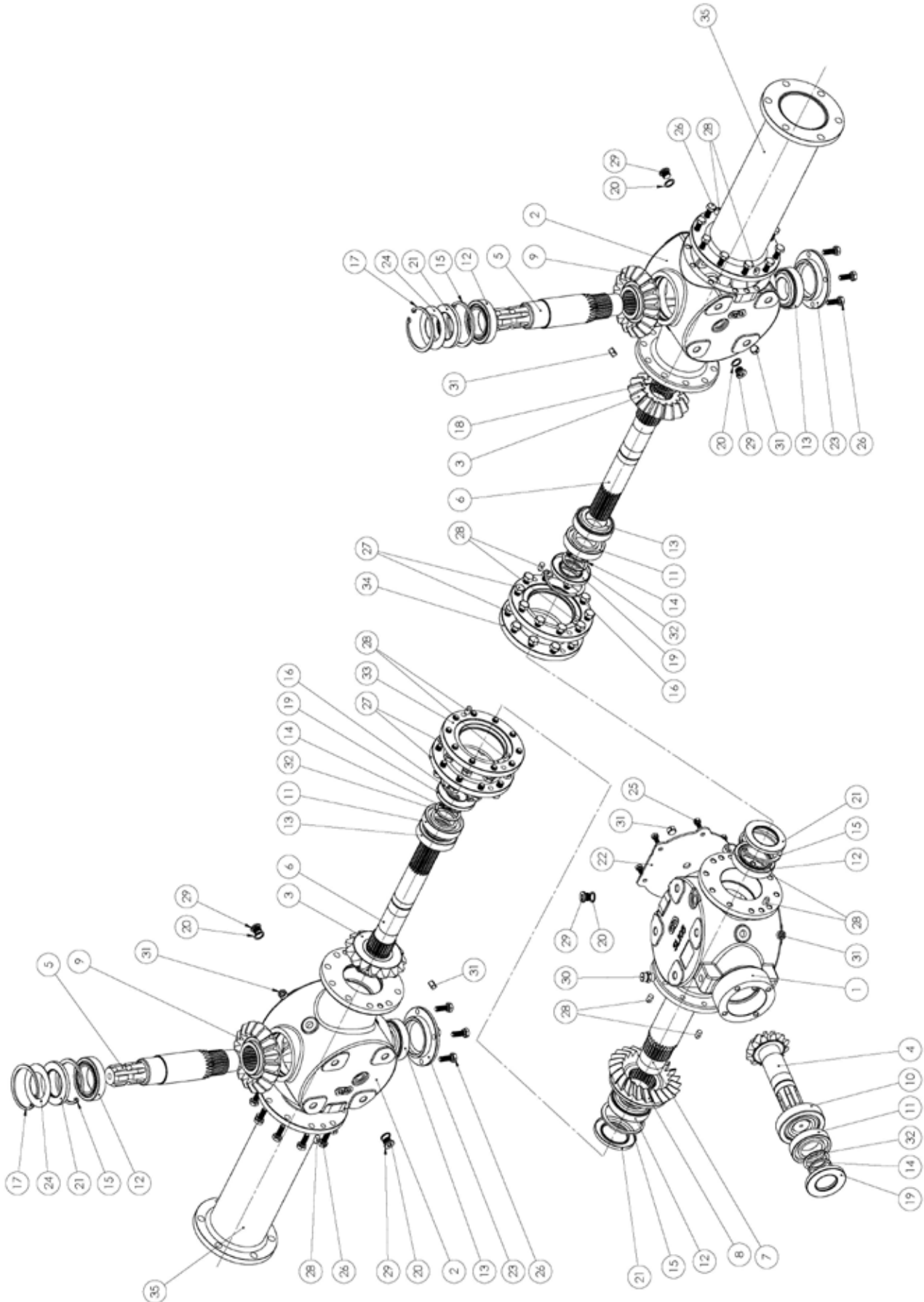
**FIGURE 13**  
**LIGHTS**



## FIGURE 13 LIGHTS

<u>ITEM</u>	<u>QTY</u>	<u>PART#</u>	<u>DESCRIPTION</u>
1	1	TFM71	TAIL LIGHT, LH
2	1	TFM72	LED TAIL LIGHT ASSY, RH
3	1	90915B	LIGHT BRACKET W/DECALS, RH
4	1	90914B	LIGHT BRACKET W/DECALS, LH
5	1	90917	LIGHT BRACKET MOUNT, LH
6	1	90918	LIGHT BRACKET MOUNT, RH
7	1	42N43	SMV BRACKET
8	1	F97	SMV HOLDER
9	1	69908	MODULE, CONTROL, BLINKER
10	1	90927	ELECTRICAL HARNESS, TAILLIGHTS
11	1	94018	WIRE HARNESS
12	3	YBFB08075	BOLT FLANGE, 1/4 X 3/4 G5
13	2	YBCR10030	BOLT CARRIAGE, 5/16-18 X 3/4 G5 ZC
14	8	YBFB08100	BOLT FLANGE, 1/4 X 1 G5
15	10	YBFB12003	BOLT FLANGE, 3/8 X 1 G5
16	11	YNFG08010	NUT FLANGE, 1/4 GF
17	2	YNFG10005	NUT FLANGE, 5/16 GF
18	10	YNFG12006	NUT FLANGE, 3/8 GF

**FIGURE 14**  
**BEATER GEARBOX ASSEMBLY**

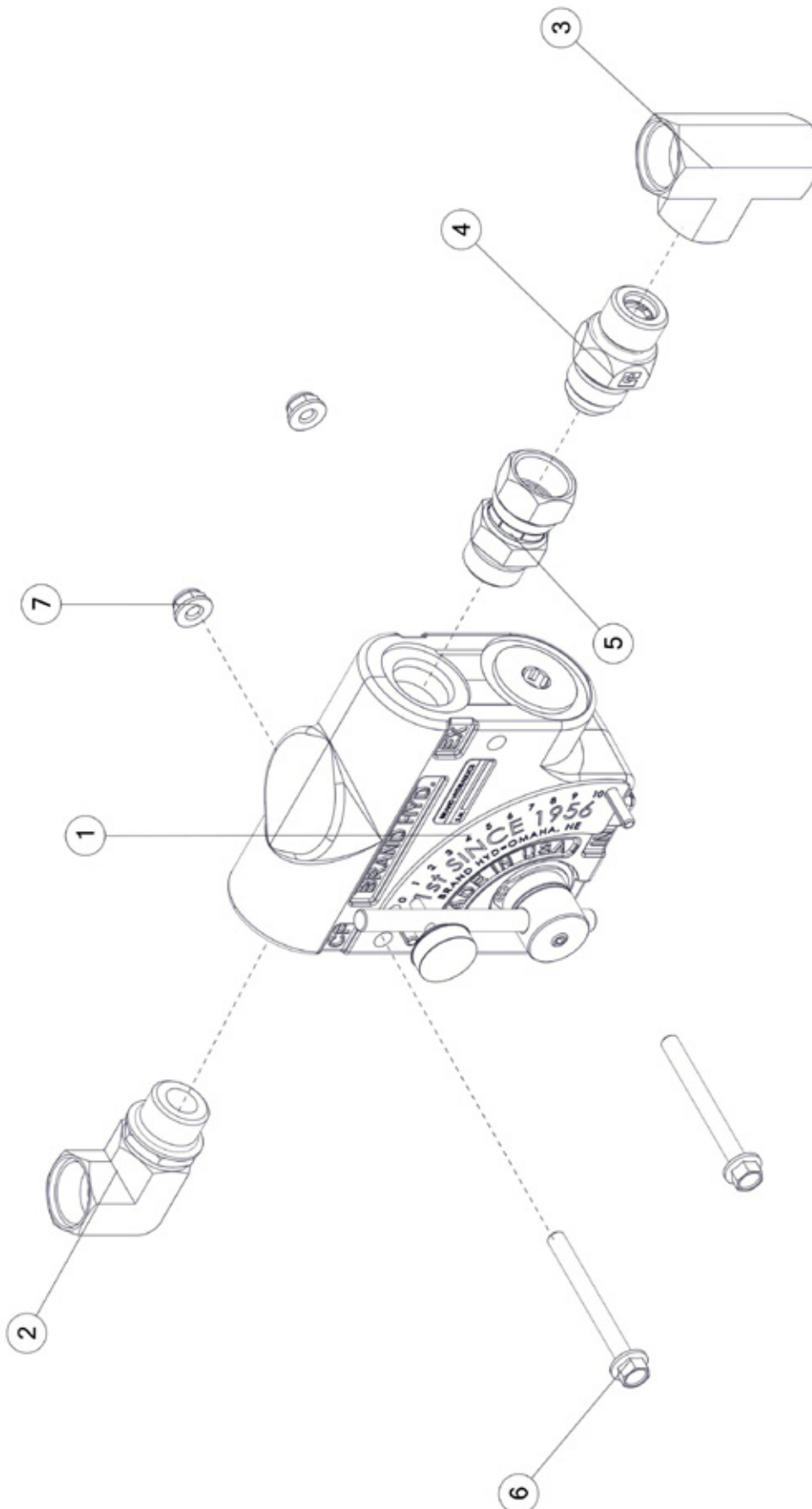


## FIGURE 14

### BEATER GEARBOX ASSEMBLY

<u>ITEM</u>	<u>QTY</u>	<u>PART#</u>	<u>DESCRIPTION</u>
1	1	92998	CENTER HOUSING
2	2	92999	OUTER HOUSING
3	2	93086	GEAR
4	1	93011	INPUT SHAFT
5	2	93012	OUTPUT SHAFT
6	2	93090	SHAFT
7	1	93080	CENTRAL SHAFT
8	1	93079	CROWN GEAR
9	2	93085	CROWN GEAR
10	1	93969	BEARING
11	3	93009	BEARING
12	4	93082	BEARING
13	4	93081	BEARING
14	3	93013	SNAP RING
15	4	93083	SNAP RING
16	2	93087	SNAP RING
17	2	93005	SNAP RING
18	2	93091	SNAP RING
19	3	93015	SEAL
20	6	93017	SEAL
21	4	93006	COVER
22	1	93010	COVER PLATE
23	2	93008	BASE PLATE
24	2	93007	SEAL
25	6	YBHH74016	BOLT HEX, M8-1.25 X 16 8.8 ZC
26	28	YBHH76030	BOLT HEX, M10-1.5 X 30 8.8 ZC
27	40	YBHH78015	BOLT HEX, M12-1.75 X 30 8.8 ZC
28	12	93016	PIN
29	6	93003	OIL PLUG
30	1	93002	BREATHER
31	8	93004	OIL PLUG
32	6	93014	SHIM
33	1	93001	CENTER SUPPORT, RH
34	1	93976	CENTER SUPPORT, LH
35	2	93000	OUTER SUPPORT

**FIGURE 15**  
**OPTIONAL FLOW CONTROL (HPOVSC)**

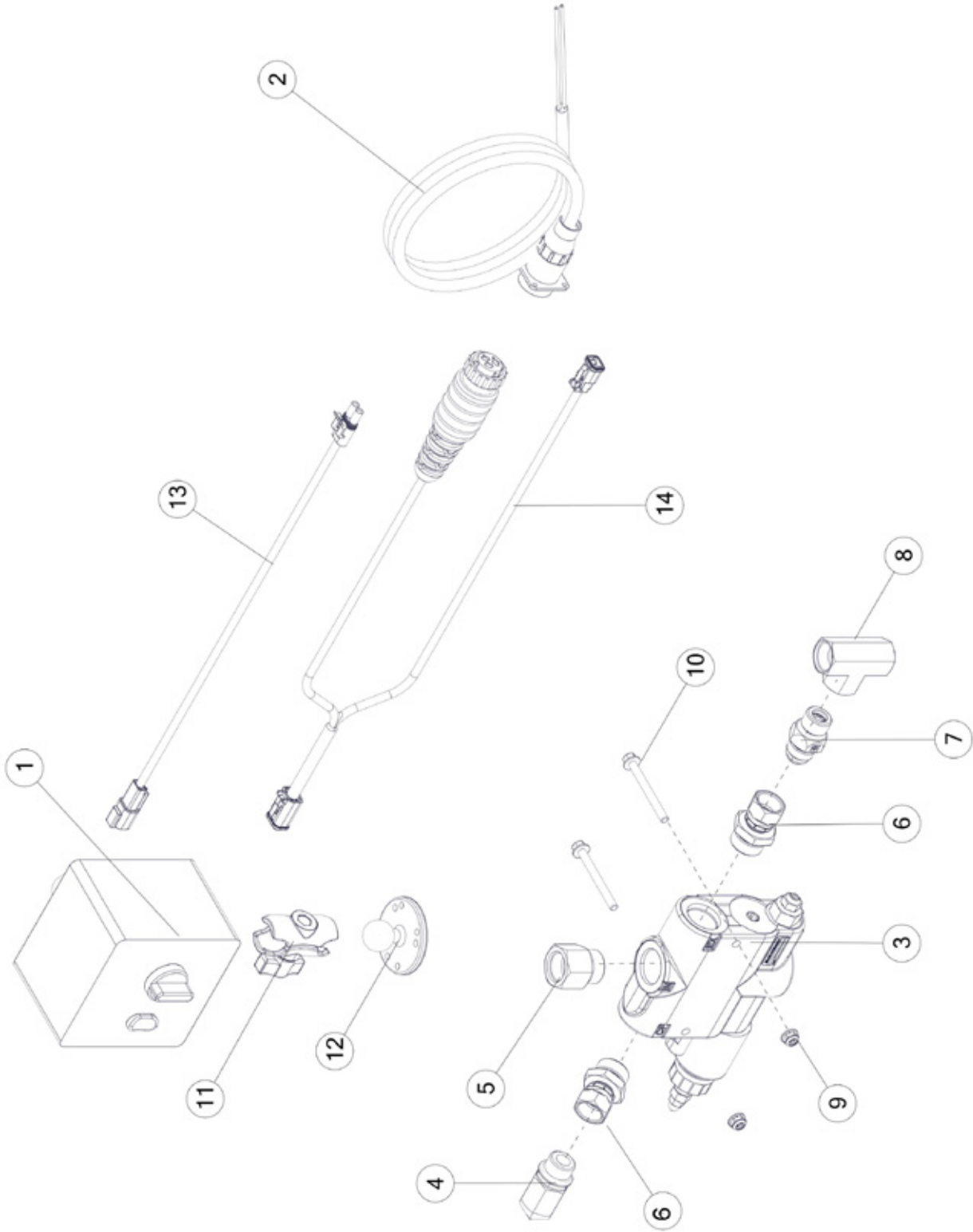




**FIGURE 15**  
**OPTIONAL FLOW CONTROL (HPOVSC)**

<b><u>ITEM</u></b>	<b><u>QTY</u></b>	<b><u>PART#</u></b>	<b><u>DESCRIPTION</u></b>
1	1	89583	FLOW CONTROL
2	1	90157	FITTING 90, 10ORB, 10ORB
3	1	91707	FITTING T, 10ORB, 10ORB, 10ORB
4	1	91722	FITTING STRAIGHT, 10JIC, 10ORB, CHECK
5	2	84907	FITTING STRAIGHT, 5/8JIC, 10ORB
6	2	YBFB08250	BOLT FLANGE, 1/4 X 2-12
7	2	YNFG08010	NUT FLANGE, 1/4

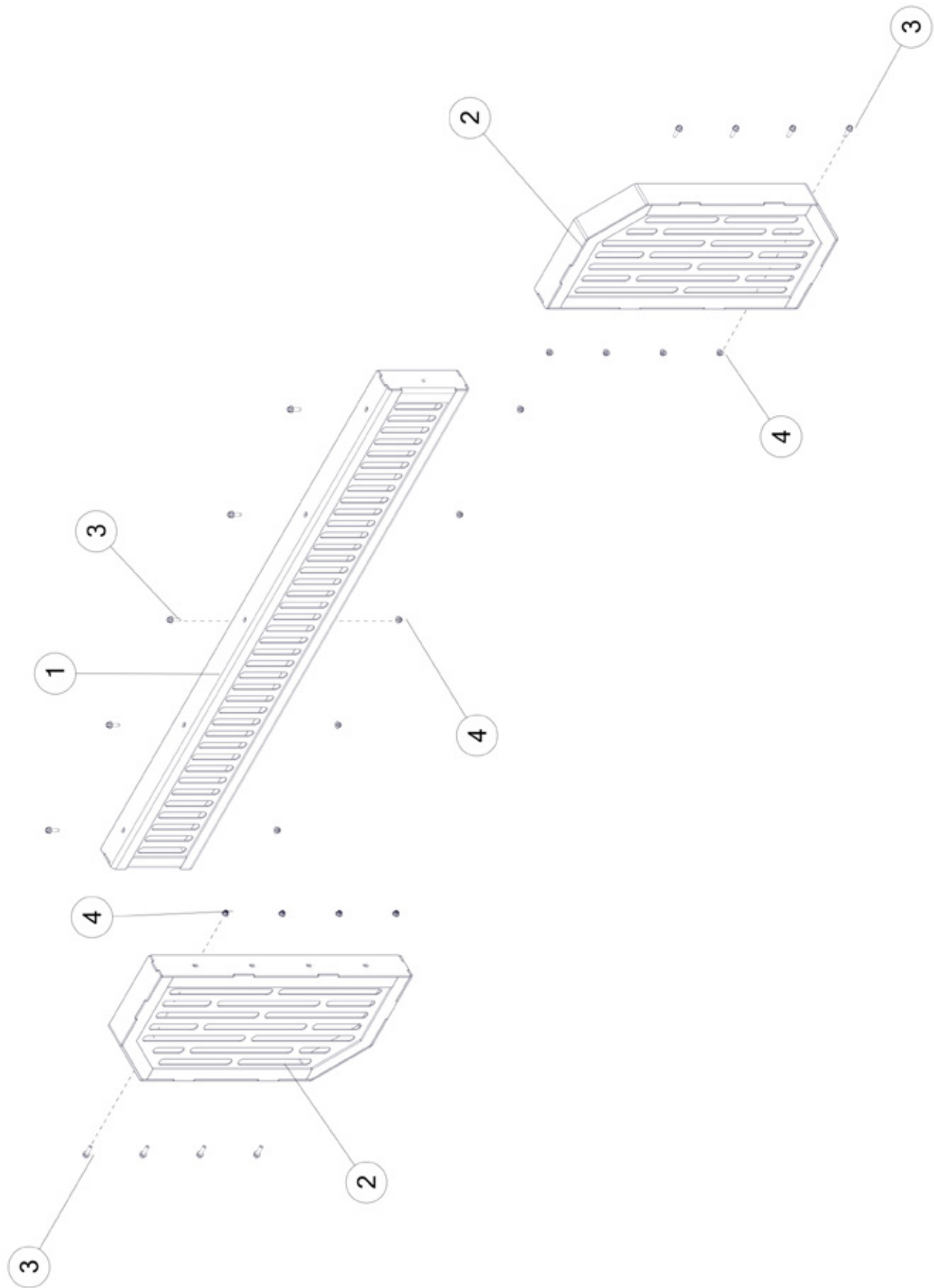
**FIGURE 16**  
**OPTIONAL VARIABLE SPEED CONTROL (HPOVSEC)**



**FIGURE 16**  
**OPTIONAL VARIABLE SPEED CONTROL (HPOVSEC)**

<u>ITEM</u>	<u>QTY</u>	<u>PART#</u>	<u>DESCRIPTION</u>
1	1	91719	CONTROL BOX
2	1	16SV269	TRACTOR CONTROL CABLE
3	1	89668	ELECTRIC FLOW CONTROL
4	1	GM56	FITTING 90, 10JIC, 10ORB
5	1	69135	FITTING STRAIGHT, 12ORB, 10ORB
6	2	91704	FITTING STRAIGHT, 10JIC, 12ORB
7	1	91722	FITTING STRAIGHT, 10JIC, 10ORB, CHECK
8	1	91707	FITTING TEE, 10ORB, 10ORB, 10ORB
9	2	YNFG08010	NUT FLANGE, 1/4 GF
10	2	YBFB08250	BOLT FLANGE, 1/4 X 2-1/2 G5
11	1	85272	RAM DOUBLE SOCKET SHORT ARM
12	1	71445	MOUNT, RAM, CTRL MODULE
13	1	91712	IMPLEMENT HARNESS
14	1	91713	CAB HARNESS

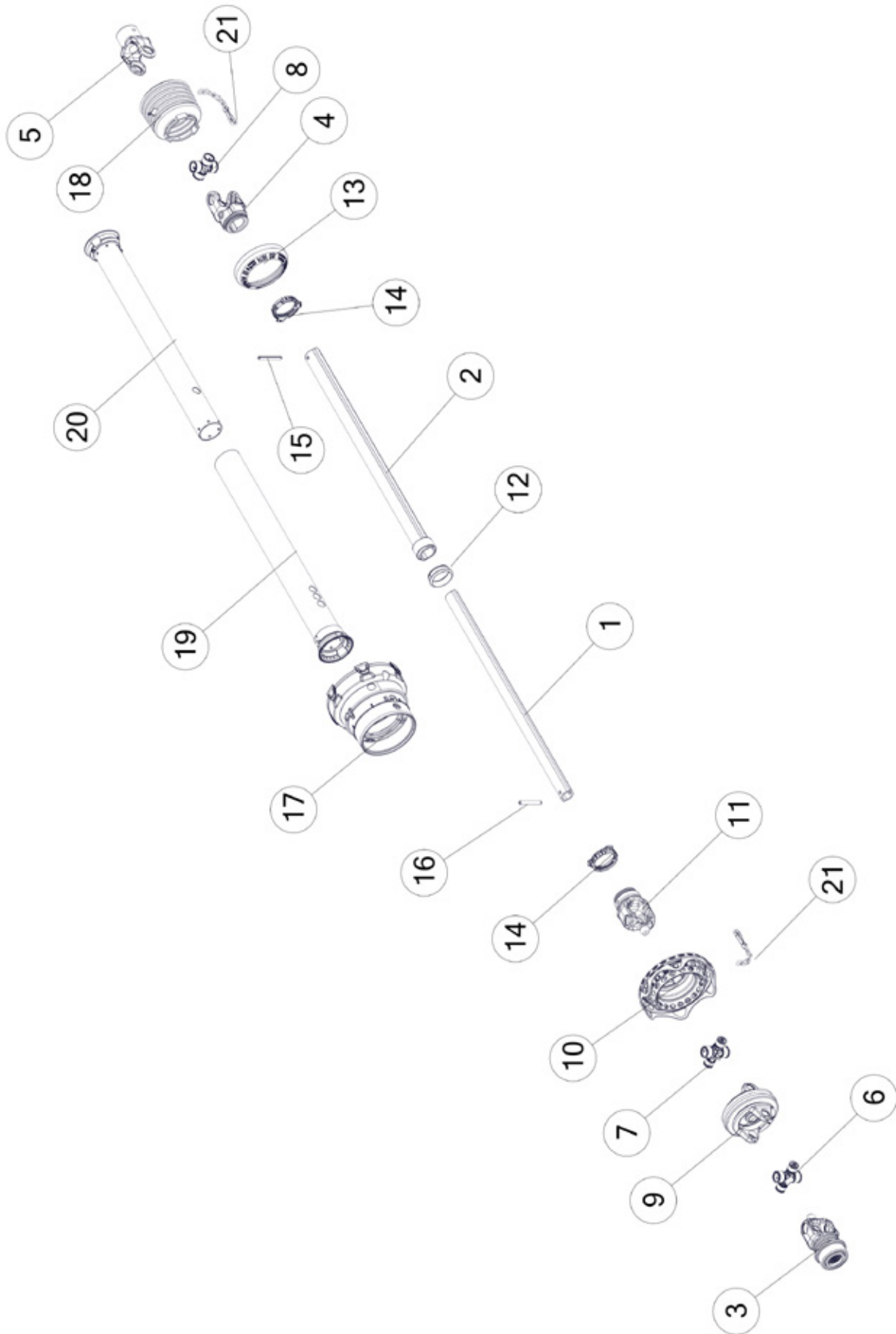
**FIGURE 17**  
**OPTIONAL SCREEN EXTENSION (HPOFASE)**



**FIGURE 17**  
**OPTIONAL SCREEN EXTENSION (HPOFASE)**

<b><u>ITEM</u></b>	<b><u>QTY</u></b>	<b><u>PART#</u></b>	<b><u>DESCRIPTION</u></b>
1	1	89691	STONE GUARD UPPER EXTENSION
2	2	89681	STONE GUARD SIDE EXTENSION
3	13	YBFB12125	BOLT FLANGE, 3/8 X 1-1/4 G5
4	13	YNFG12006	NUT FLANGE, 3/8 GF

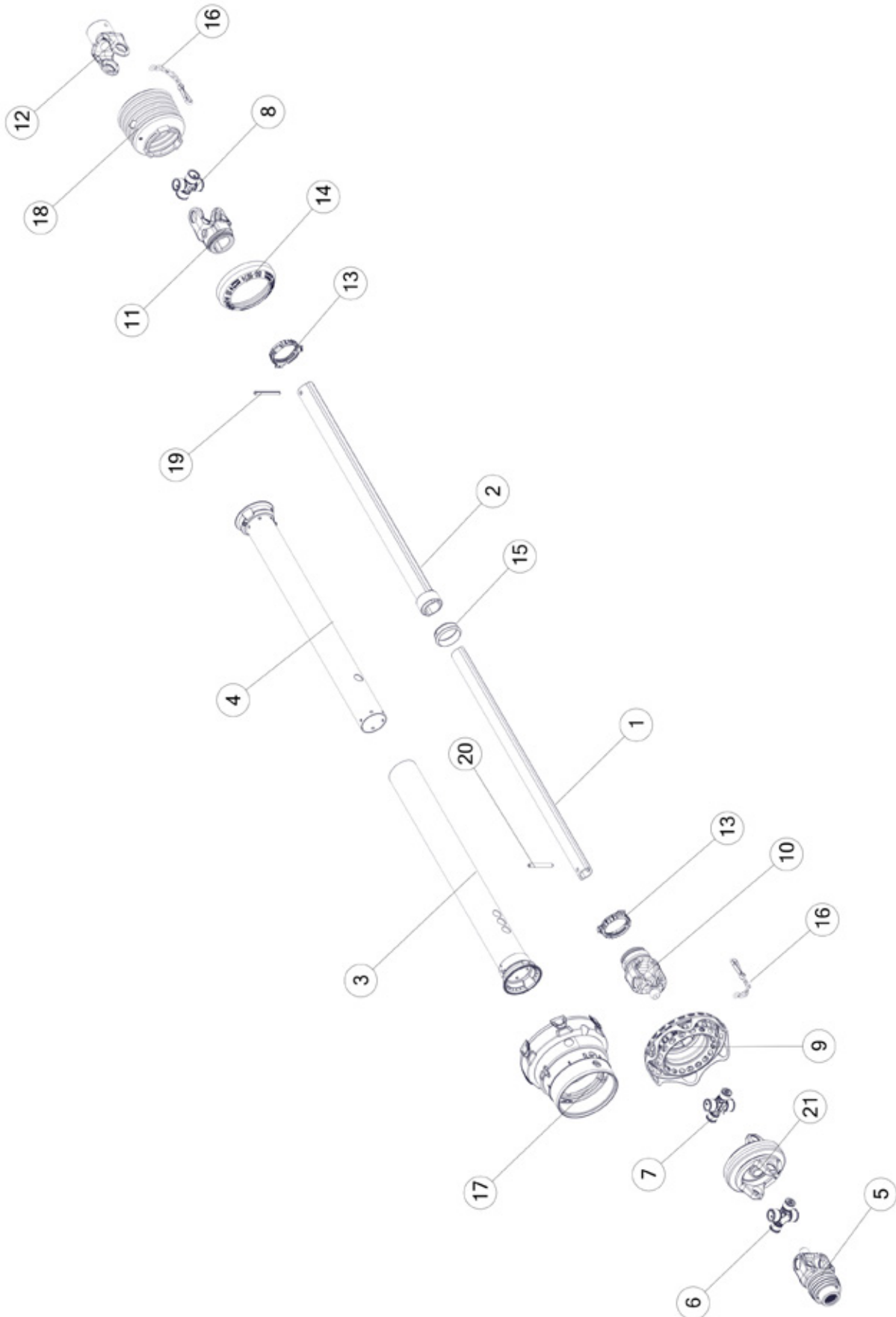
**FIGURE 18**  
**HPO1034CV PTO**



**FIGURE 18**  
**HPO1034CV PTO**

<u>ITEM</u>	<u>QTY</u>	<u>PART#</u>	<u>DESCRIPTION</u>
1	1	89772	INNER SHAFT
2	1	89790	OUTER SHAFT
3	1	89799	YOKE
4	1	89787	YOKE
5	1	89789	YOKE
6	1	89768	CROSS AND BEARING KIT
7	1	89770	CROSS AND BEARING KIT
8	1	89786	CROSS AND BEARING KIT
9	1	89769	DOUBLE YOKE
10	1	89776	NET GUARD
11	1	89771	INBOARD YOKE
12	1	89793	SUPPORT BEARING
13	1	89792	REINFORCING COLLAR
14	2	87919	BEARING RING
15	1	87920	SPRING PIN
16	1	89773	SPRING PIN
17	1	89784	CV GUARD
18	1	87926	GUARD CONE
19	1	89774	OUTER GUARD TUBE
20	1	89791	GUARD TUBE INNER
21	2	87916	RESTRAINT CHAIN
*	1	89800	COMPLETE PTO

**FIGURE 19**  
**HPO1038CV PTO**

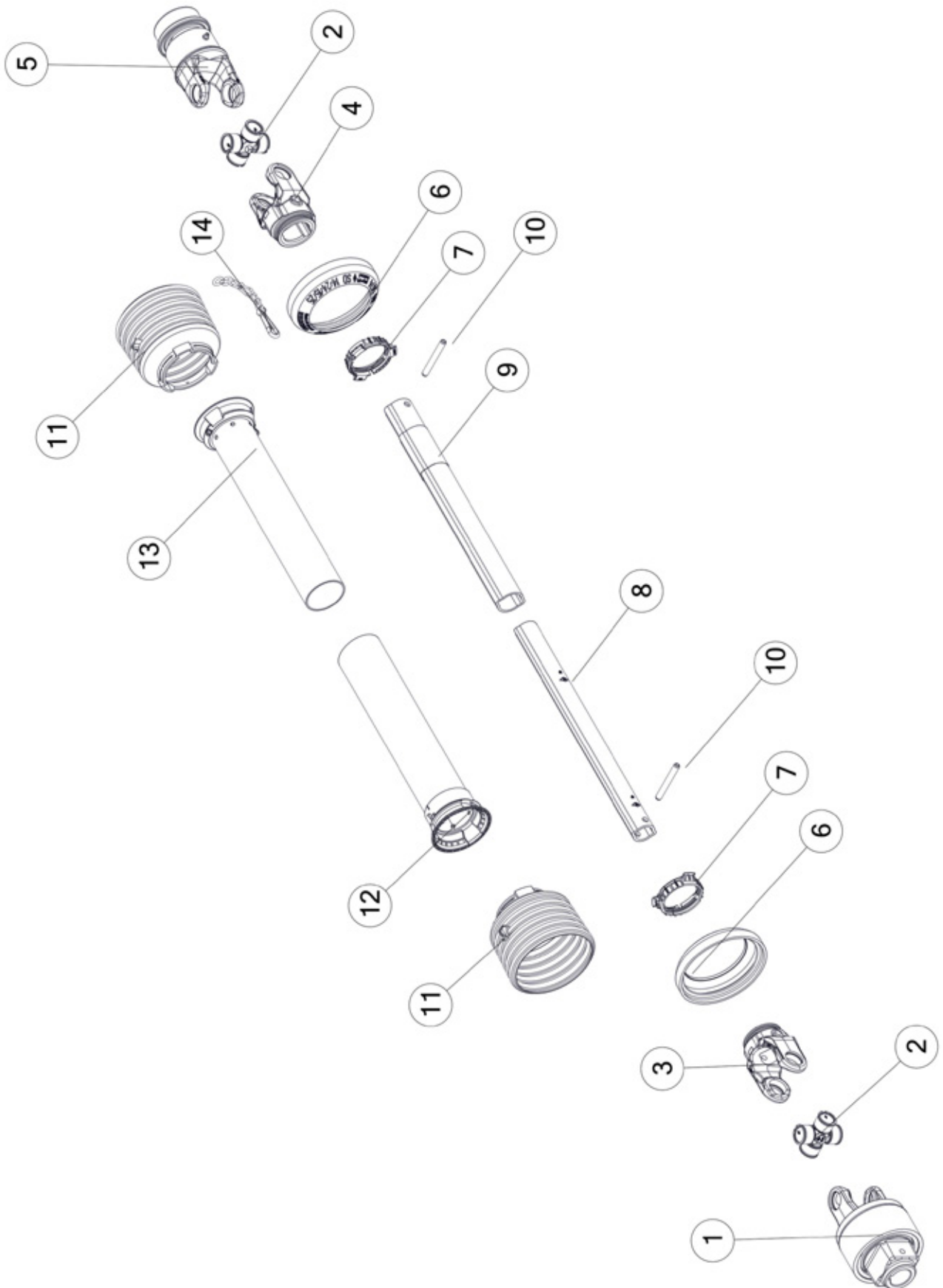




**FIGURE 19**  
**HPO1038CV PTO**

<u>ITEM</u>	<u>QTY</u>	<u>PART#</u>	<u>DESCRIPTION</u>
1	1	89772	INNER SHAFT
2	1	89790	OUTER SHAFT
3	1	89774	OUTER GUARD TUBE
4	1	89791	GUARD TUBE INNER
5	1	89767	YOKE ASSEMBLY
6	1	89768	CROSS AND BEARING KIT
7	1	89770	CROSS AND BEARING KIT
8	1	89786	CROSS AND BEARING KIT
9	1	89776	NET GUARD
10	1	89771	INBOARD YOKE
11	1	89787	YOKE
12	1	89789	YOKE
13	2	87919	BEARING RING
14	1	89792	REINFORCING COLLAR
15	1	89793	SUPPORT BEARING
16	2	87916	RESTRAINT CHAIN
17	1	89784	CV GUARD
18	1	87926	GUARD CONE
19	1	87920	SPRING PIN
20	1	89773	SPRING PIN
21	1	89769	DOUBLE YOKE
*	1	89794	COMPLETE PTO

**FIGURE 20**  
**1000 RPM PTO**



**FIGURE 20**  
**1000 RPM PTO**

<b><u>ITEM</u></b>	<b><u>QTY</u></b>	<b><u>PART#</u></b>	<b><u>DESCRIPTION</u></b>
1	1	87929	CUT OUT CLUTCH
2	2	87923	CROSS BEARING KIT
3	1	87922	YOKE
4	1	89787	YOKE
5	1	87928	OVERRUNNING CLUTCH
6	2	87918	REINFORCING COLLAR
7	2	87919	BEARING RING
8	1	87930	INNER SHAFT
9	1	87934	OUTER SHAFT
10	2	87920	SPRING PIN
11	2	87927	GUARD CONE
12	1	87931	OUTER GUARD TUBE
13	1	87936	INNER GUARD TUBE
14	1	87916	RESTRAINT CHAIN
*	1	87914	COMPLETE PTO, 1-3/4 1000 RPM



# CHANGE NOTES

# **H&S MFG. CO.**

products approved

for the

## **FEMA**

# **SEAL OF QUALITY**



Manufactured by:

**H&S MANUFACTURING CO., INC.**

2608 S. HUME AVE. MARSHFIELD, WI 54449

(715) 387-3414 | [hsmfgco.com](http://hsmfgco.com)

