



HPV4242

MANURE SPREADER

PARTS BOOK

Part #91691

HSMFG051222

Rev. #03 Starting Ser. #222VP42020

STRONG HERITAGE - STRONG PEOPLE - STRONGER FUTURE

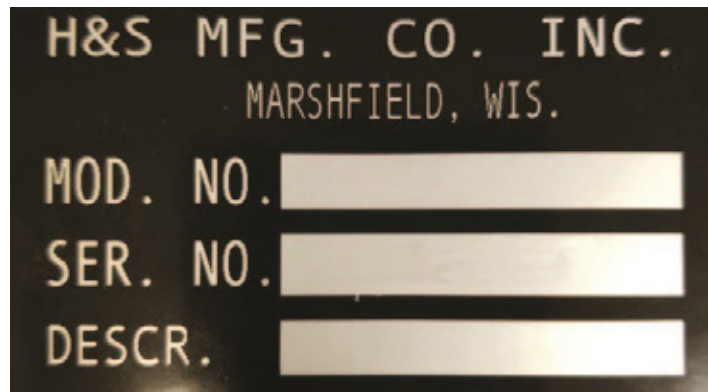
INSTRUCTIONS FOR ORDERING PARTS

All service parts should be ordered through your authorized H&S dealer. Your Dealership will be able to give you faster service if you will provide them with the following:

1. All references to left or right apply to the machine as viewed from the rear.
2. Parts should not be ordered from illustration only. Please order complete part number.
3. If your dealer has to order parts - give shipping instructions:

VIA truck - large pieces (please specify local truck lines)

VIA United Parcel Service (include full address)



MODEL & SERIAL NUMBER LOCATED ON
FRONT, LEFT SIDE OF PTO BEARING SUPPORT MOUNT

PLEASE RECORD NUMBERS FOR YOUR UNIT FOR QUICK REFERENCE

H&S IS CONTINUALLY STRIVING TO IMPROVE ITS PRODUCTS

We must, therefore, reserve the right to make improvements or changes whenever it becomes practical to do so, without incurring any obligation to make changes or additions to the equipment previously sold.





FIGURE 1 HITCH & COMPONENTS

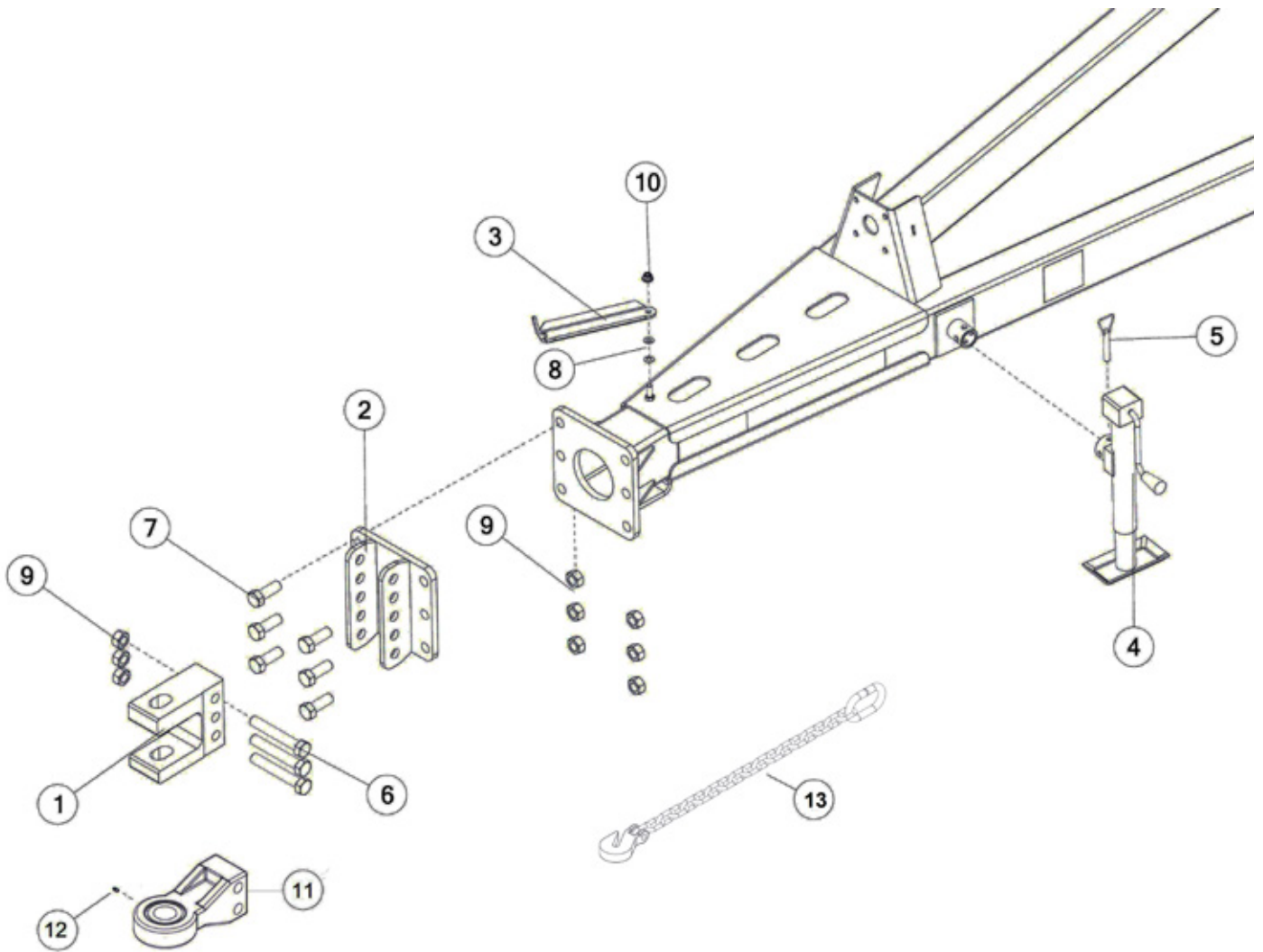




FIGURE 2
FLOOR & SIDE COMPONENTS

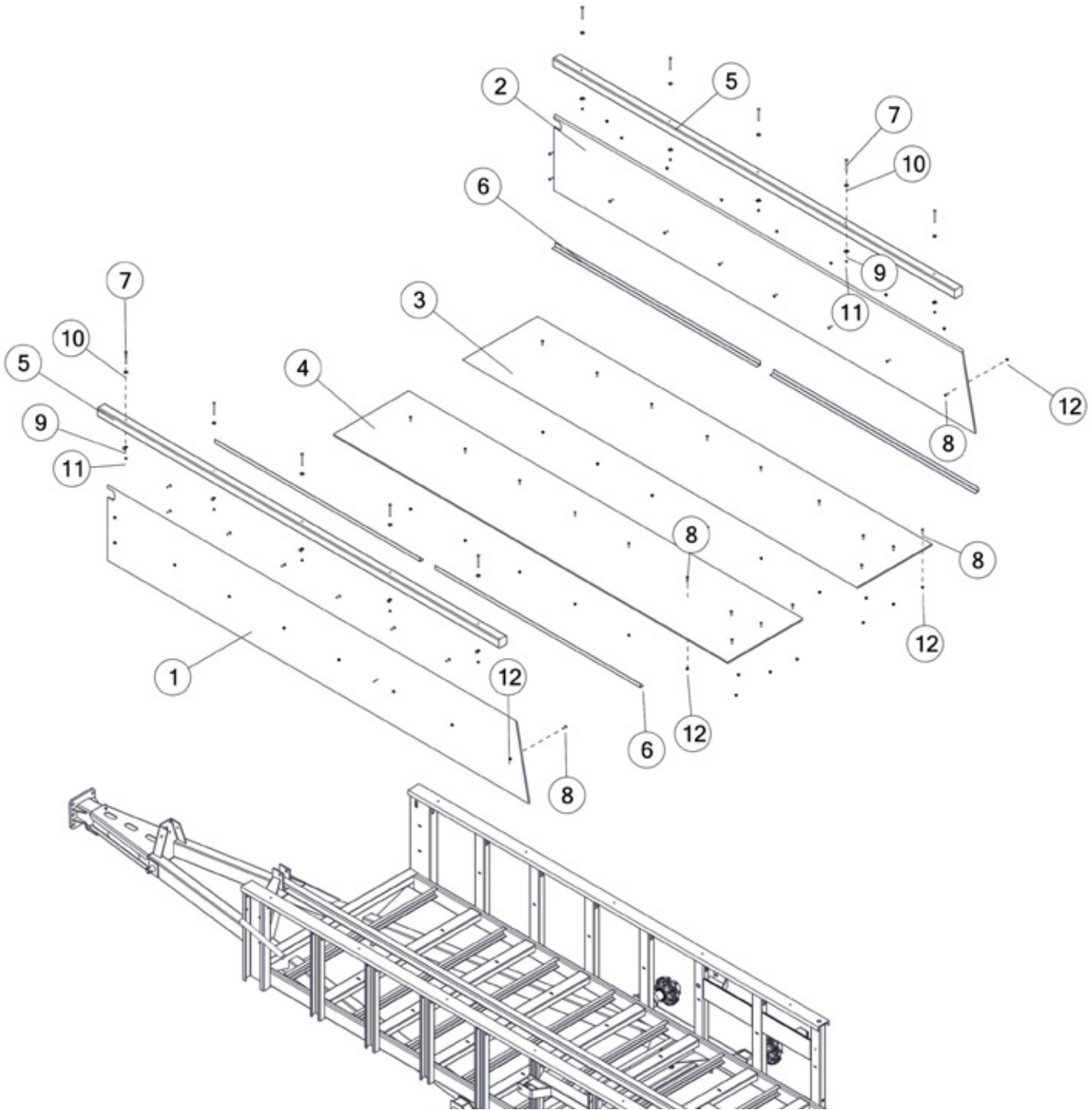




FIGURE 3 PTO SHIELD & COMPONENTS

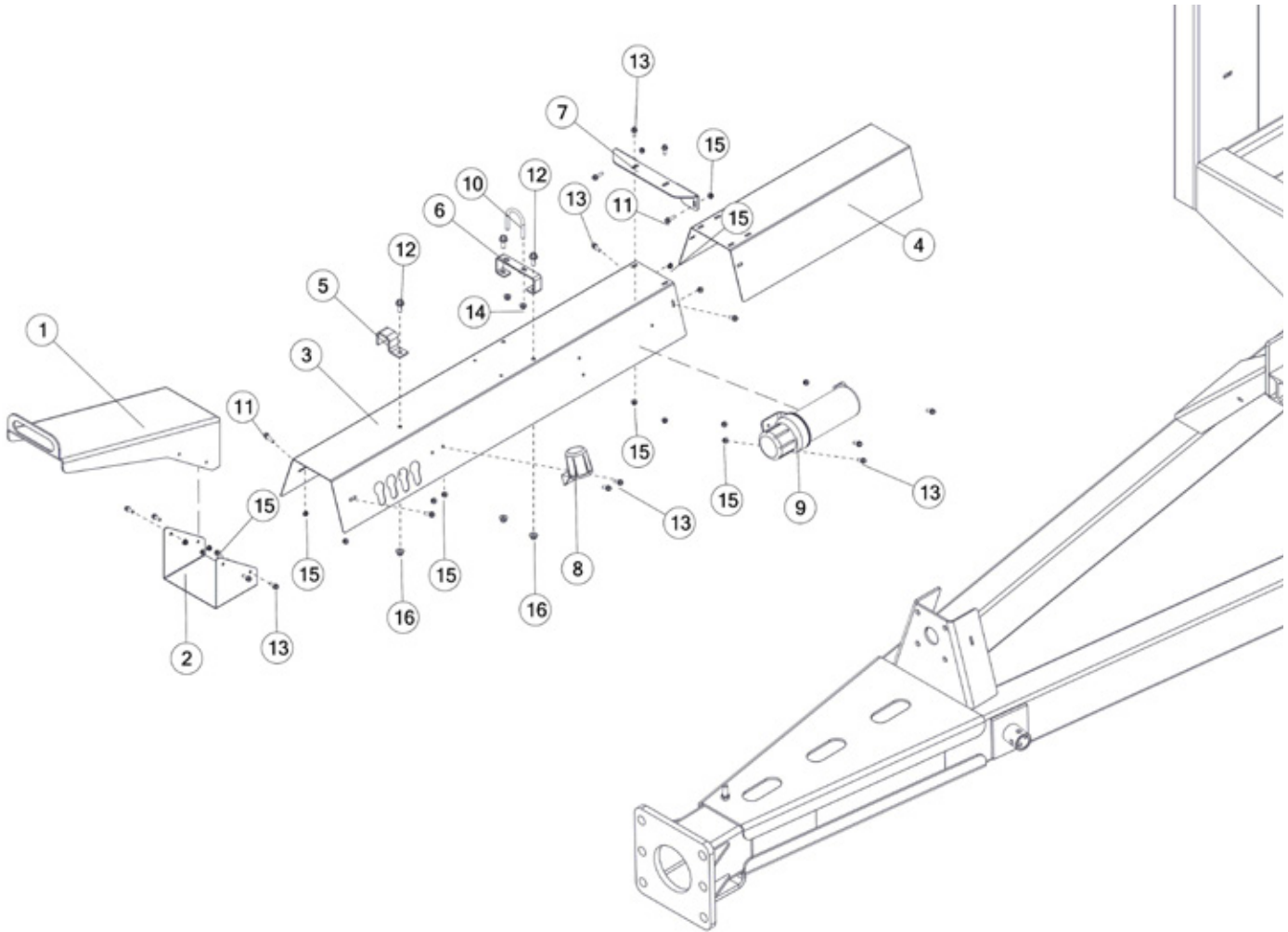




FIGURE 3 PTO SHIELD & COMPONENTS

REF #	PART #	DESCRIPTION	QTY
1	90164B	PTO SHIELD W/DECALS	1
2	90168	LOWER PTO SHIELD	1
3	88914B	INPUT SHIELD W/DECALS	1
4	88915	INPUT SHIELD	1
5	HE14	SMALL PIPE BRACKET	1
6	89639	HOSE HOLDER	1
7	88927	INPUT SHIELD ANGLE	1
8	CHM38	PLUG STORAGE	1
9	S522	MANUAL HOLDER	1
10	YBPU10007	PIPE U BOLT, 5/16 X 1-1/2	1
11	YBFB08100	BOLT FLANGE, 1/4 X 1 G5	4
12	YBFB12003	BOLT FLANGE, 3/8 X 1 G5	3
13	YBFB08075	BOLT FLANGE, 1/4 X 3/4 G5	13
14	YNFG10005	NUT FLANGE, 5/16 GF	2
15	YNFG08010	NUT FLANGE, 1/4 GF	17
16	YNFG12006	NUT FLANGE, 3/8 GF	3





FIGURE 4 PUSHER COMPONENTS

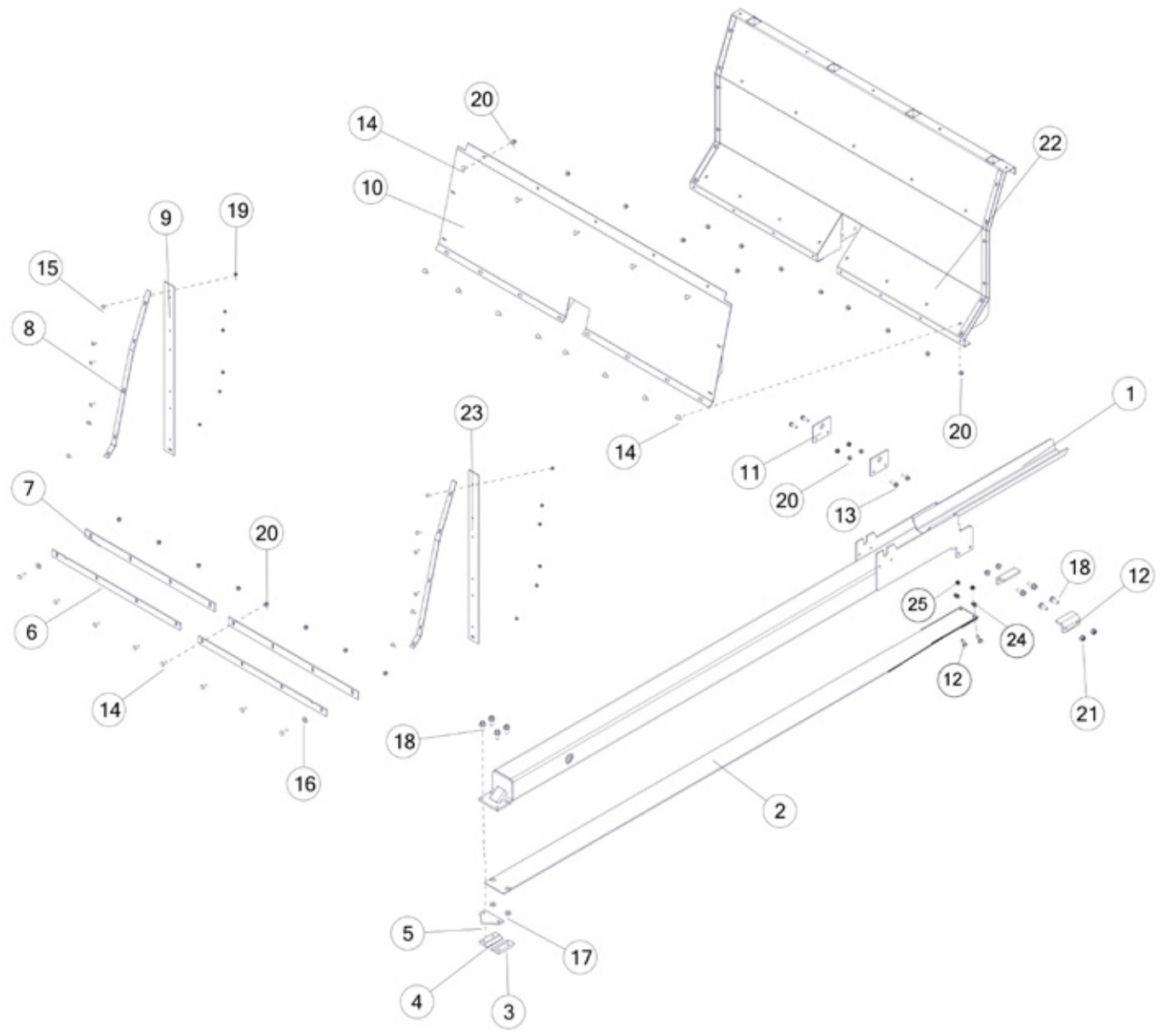




FIGURE 5 PUSHER EXTENSION & COMPONENTS

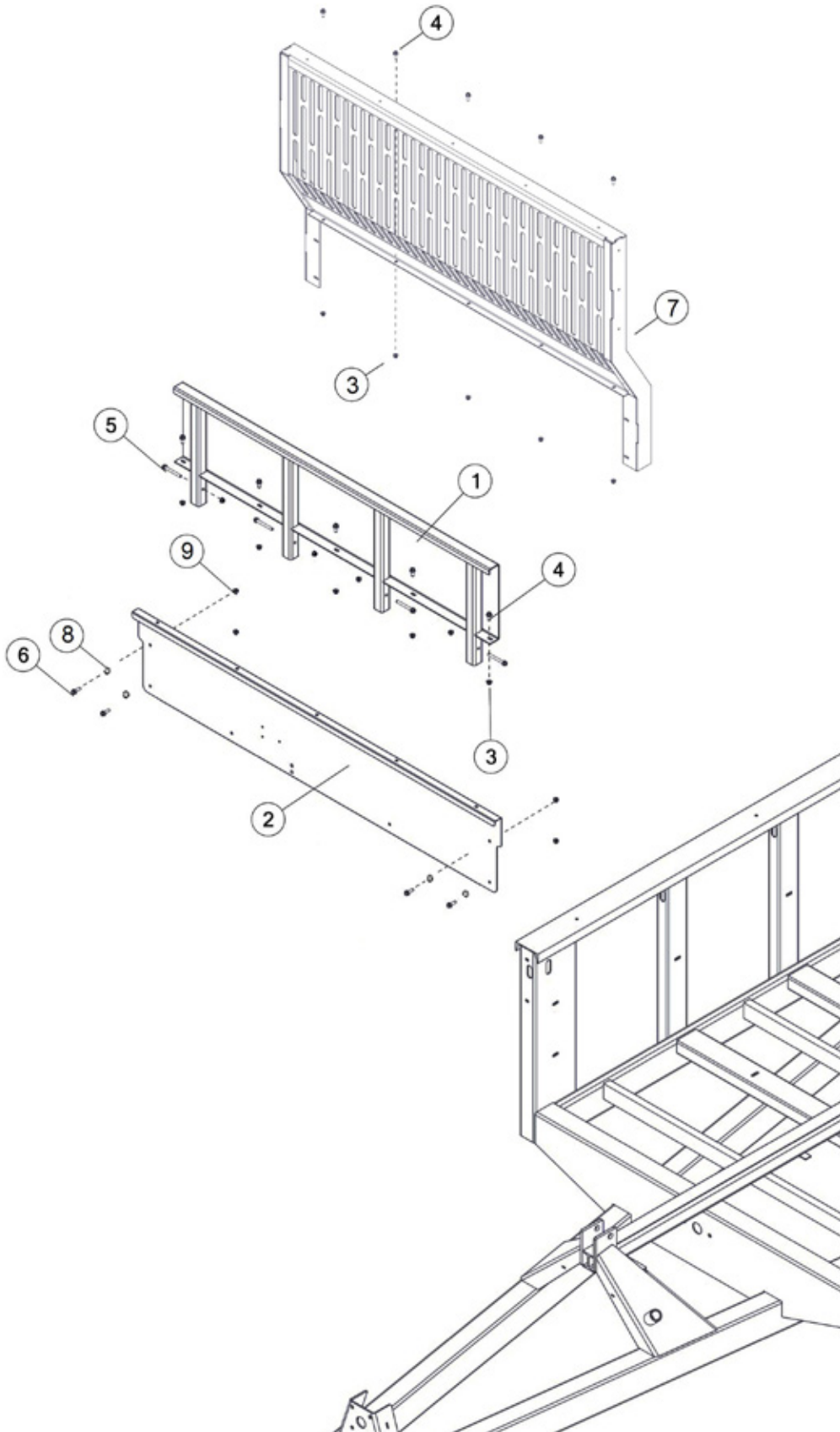




FIGURE 6 PUSHER SPACERS & COMPONENTS

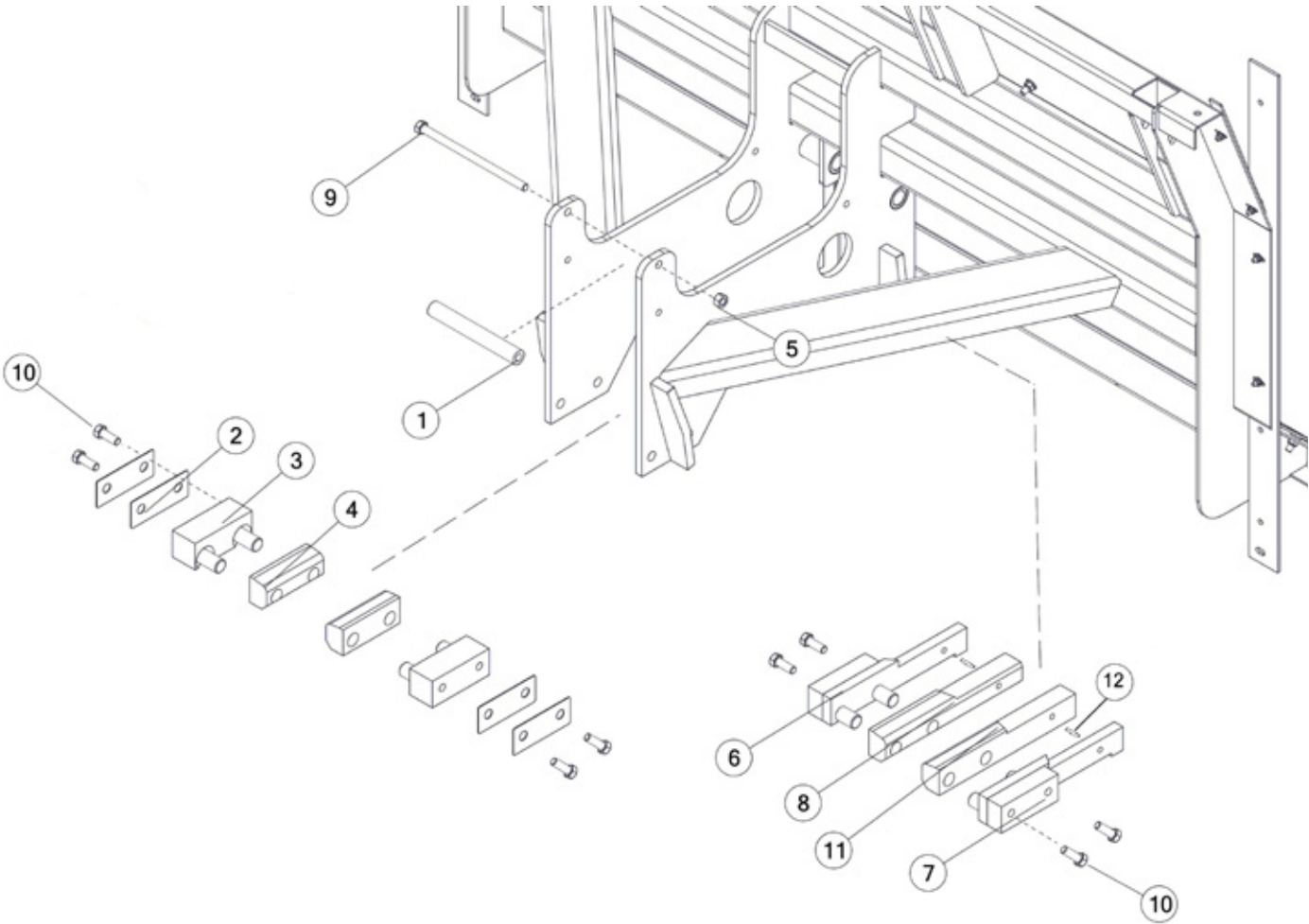




FIGURE 6
PUSHER SPACERS & COMPONENTS

REF #	PART #	DESCRIPTION	QTY
1	42N91	PUSHER SPACER	1
2	42N114	PUSHER SHIM	4
3	42N85	POLY BLOCK SPACER FRONT	2
4	42N86	PUSHER POLY SLIDE	2
5	YNRL16005	NUT HEX, 1/2-13 LKRS A ZC	1
6	42N87	POLY BLOCK SPACER, RH	1
7	42N90	POLY BLOCK SPACER, LH	1
8	42N88	PUSHER POLY SLIDE, RH	1
9	YBHH16185	BOLT HEX, 1/2 X 9 G5	1
10	YBHH20015	BOLT HEX, 5/8 X 1-1/4 G5	8
11	42N89	PUSHER POLY SLIDE, LH	1
12	YPEX12020	EXPANSION PIN, 3/8 X 2	2



FIGURE 7
GEARBOX DRIVE & COMPONENTS

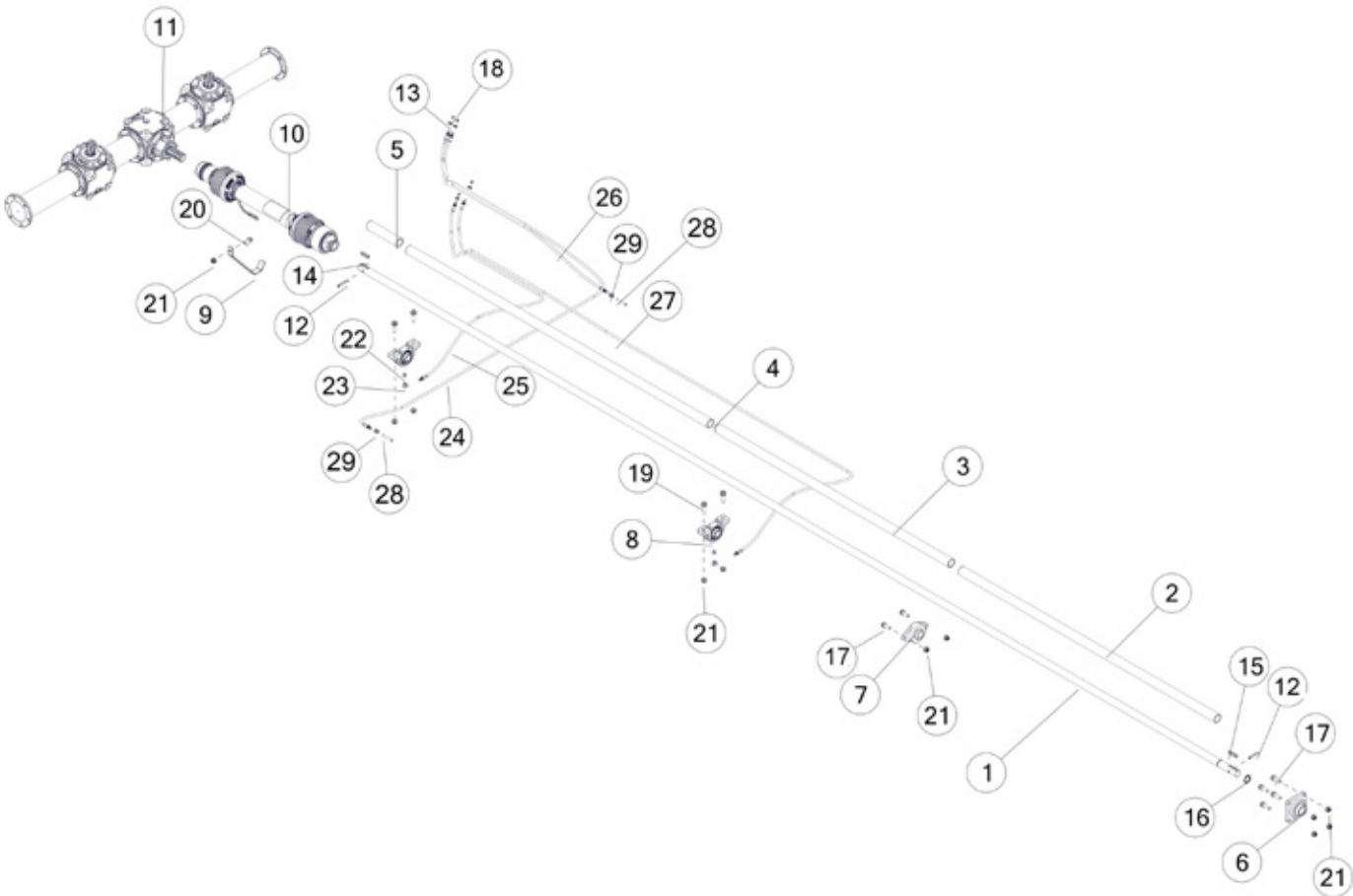




FIGURE 8 HYDRAULICS

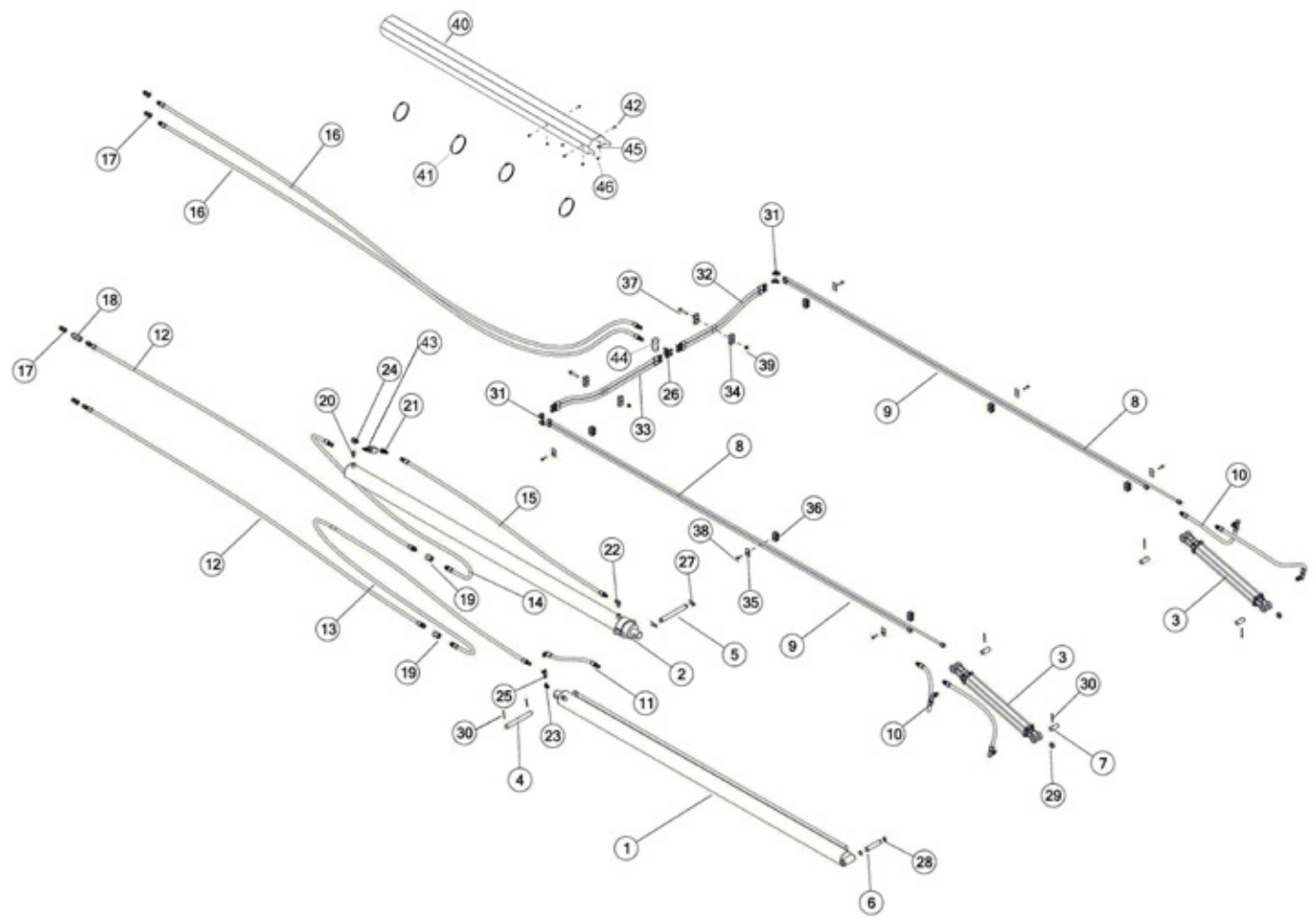




FIGURE 8

HYDRAULICS

REF #	PART #	DESCRIPTION	QTY
1	42N70	HYDRAULIC CYLINDER, TRUNNION 3-1/2 X 90	1
2	42N69	HYDRAULIC CYLINDER, GIMBAL 3-1/2 X 90	1
3	90970	HYDRAULIC CYLINDER, 2 X 20	2
4	42N71	CYLINDER PIN	1
5	42N72	PUSHER CYLINDER PIN	1
6	42N80	REAR CYLINDER PIN	1
7	56N141	SHAFT, RND, 1.00 X 2.50, PIN, CYLINDER	4
8	90968	HYDRAULIC TUBE, 1/2 X 144	2
9	90969	HYDRAULIC TUBE, 1/2 X 132	2
10	90972	HYDRAULIC HOSE, 6, 36	4
11	89579	HYDRAULIC HOSE, 6, 20	1
12	89588	HYDRAULIC HOSE, 6, 126	2
13	89594	HYDRAULIC HOSE, 6, 164	1
14	89586	HYDRAULIC HOSE, 6, 88	1
15	89581	HYDRAULIC HOSE, 6, 77	1
16	89629	HYDRAULIC HOSE, 6, 182	2
17	67148	FTG, ST, 8ORB, QUICK COUPLER TIP	4
18	89576	HYDRAULIC VALVE, CHECK	1
19	90154	FITTING STRAIGHT, 10ORB, 10ORB	2
20	16SV351	FITTING STRAIGHT, 6NPT X 6NPT	1
21	89574	FITTING T, 6 JIC, 6 JIC, 8 ORB	1
22	CHM164	FITTING, 90, 6JIC X 3/8NPT	1
23	58151	FITTING 45, 3/8JIC, 3/8-18NPTF	1
24	55923	8 ORB TO 3/8 NPTF, 90 DEG	1
25	CHM242	FITTING, TEE, 6JIC X 6JIC X 6JIC	1
26	8005	FITTING TEE, 8JIC X 8JIC X 8JIC, BULKHEAD	2
27	YPHR02020	HAIR PIN, #23-10	2
28	3G21	SNAP RING, 1 HEAVY DUTY	2
29	K132	SPACER, 3/8 LONG	2
30	YPCT05025	COTTER PIN, 5/32 X 2	4
31	58187	FITTING, 8-6 ETX-S	4
32	89635	HYDRAULIC HOSE, 6, 32	2
33	89632	HYDRAULIC HOSE, 6, 45	2
34	86567	DOUBLE CLAMP, UNIVERSAL	4
35	56563	CLAMP TOP PLATE	6
36	TS118	LINE CLAMP BLOCK (PART OF T2008S)	6
37	YBFB12250	BOLT FLANGE, 3/8 X 2-1/2 G5	2
38	56568	CLAMP BOLT, 5/16-18 x 1-3/8	6
39	YNFG12006	NUT FLANGE, 3/8 GF	2





FIGURE 8

HYDRAULICS

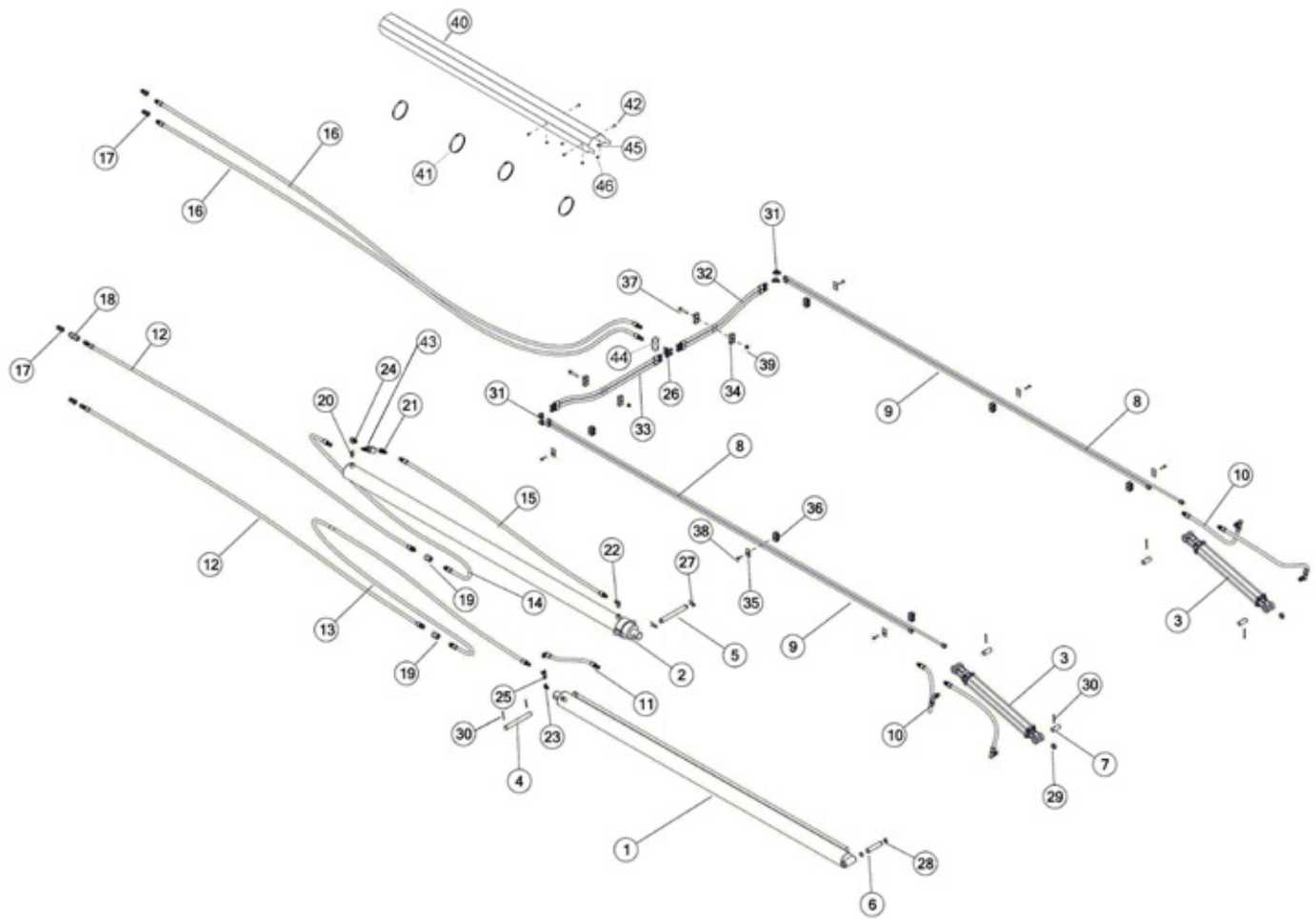




FIGURE 9 TANDEM AXLE AND WHEEL COMPONENTS

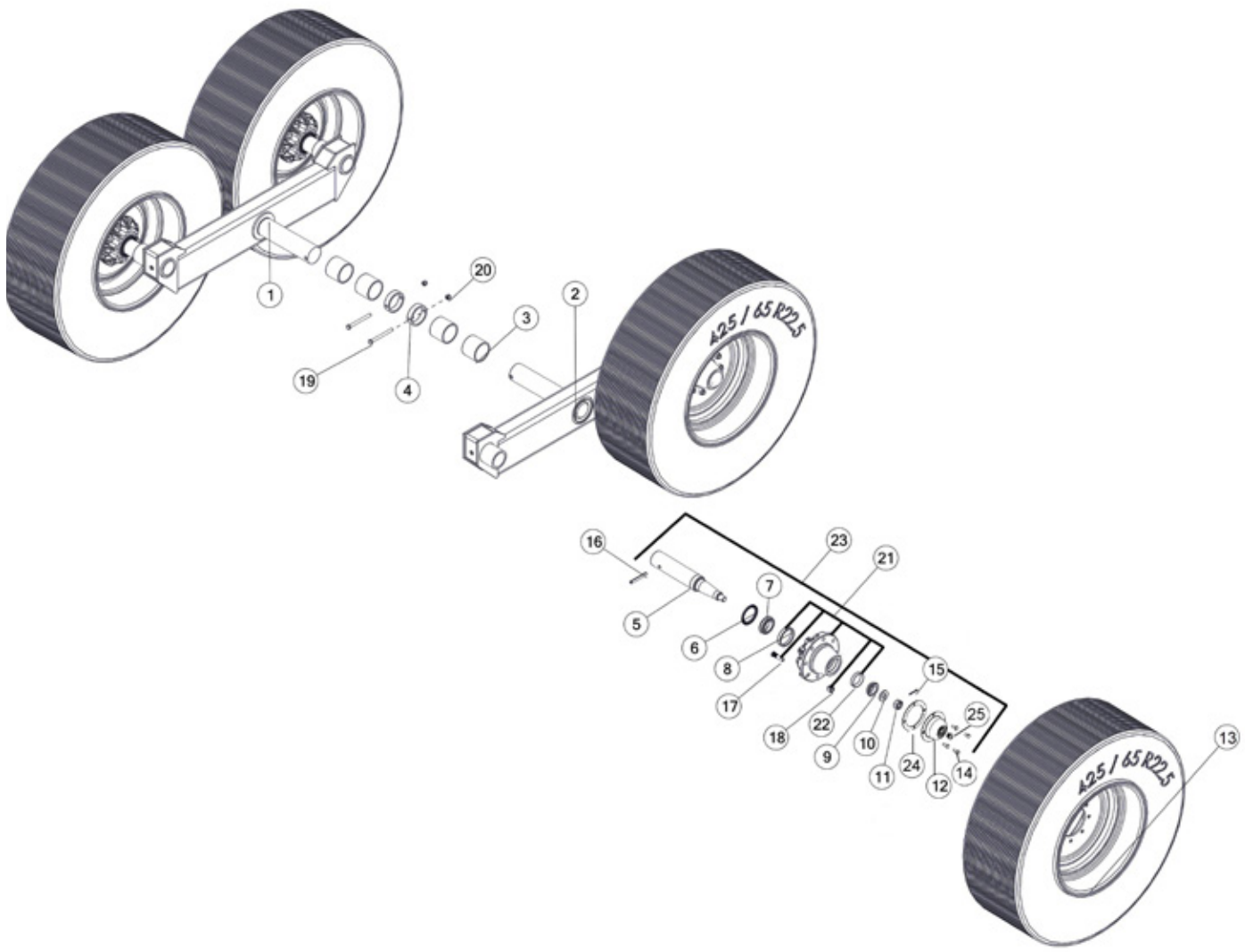




FIGURE 9

TANDEM AXLE AND WHEEL COMPONENTS

REF #	PART #	DESCRIPTION	QTY
1	42N7	TANDEM AXLE RH	1
2	42N6	TANDEM AXLE LH	1
3	45N36	POLY BUSHING	4
4	45N35	AXLE KEEPER	2
5	93106	SPINDLE	4
6	93107	GREASE SEAL	4
7	54597	BEARING CONE	4
8	54593	INNER RACE	4
9	17G150	TAPERED ROLLER BEARING, 1.625 BORE	4
10	33SV95	SPINDLE WASHER	4
11	YNSL32005	NUT SLOT, 1-14 NA G2 NF	4
12	93110	HUB CAP	4
13	TWP425S	(4) 425 X 22.5 USED TRUCK TIRES W/SILVR 8B RIMS	1
*	90192	ASSEMBLY, TIRE AND WHEEL	4
*	90185	WHEEL, 22.5 X 13.5 8 BOLT SILVER	4
*	16SV88	TIRE, 425 X 22.5	4
*	72438	VALVE STEM, 1-1/2	4
13	TWP19LS	(4) 19L X 16.1 10 PLY TIRES W/ SILVER 8 BOLT RIMS	1
*	90193	ASSEMBLY, TIRE AND WHEEL	4
*	90186	WHEEL, W16C-16.1 8 BOLT SILVER	4
*	UR8	19L X 16.1 TIRE	4
*	72437	VALVE STEM, 1.25IN HD	4
13	TWP5508S	(4) 550/45 X 22.5 TIRES W/ SILVER 8 BOLT RIMS	1
*	90197	ASSEMBLY, TIRE AND WHEEL, RH	2
*	90187	WHEEL, 22.5 X 16.00 8 BOLT SILVER	2
*	33381	TIRE, 550/45 - 22.5 16PLY FLOATATION	2
*	72437	VALVE STEM, 1.25IN HD	2
*	90198	ASSEMBLY, TIRE AND WHEEL, LH	2
14	YBHH08063	BOLT HEX, 1/4 X 5/8 G5	4
15	YPCT07175	COTTER PIN, 7/32 X 1-3/4	4
16	YPEX16020	EXPANSION PIN, 1/2 X 4	4
17	YBSD20010	BOLT STUD, 5/8 X 2-1/2 G8	32
18	YNWL20005	NUT WHEEL, 5/8-18 NA G5 ZC	32
19	YBHH16160	BOLT HEX, 1/2-13 X 5-1/2 G5	2
20	YNNY16005	NUT HEX, 1/2-13 LKNY G2 ZC	2
21	93103	HUB	4
22	17G149	RACE	4
23	93112	HUB AND SPINDLE ASSEMBLY	4
24	93109	GASKET	1
25	93111	OIL PLUG	1





FIGURE 10 ENDGATE & COMPONENTS

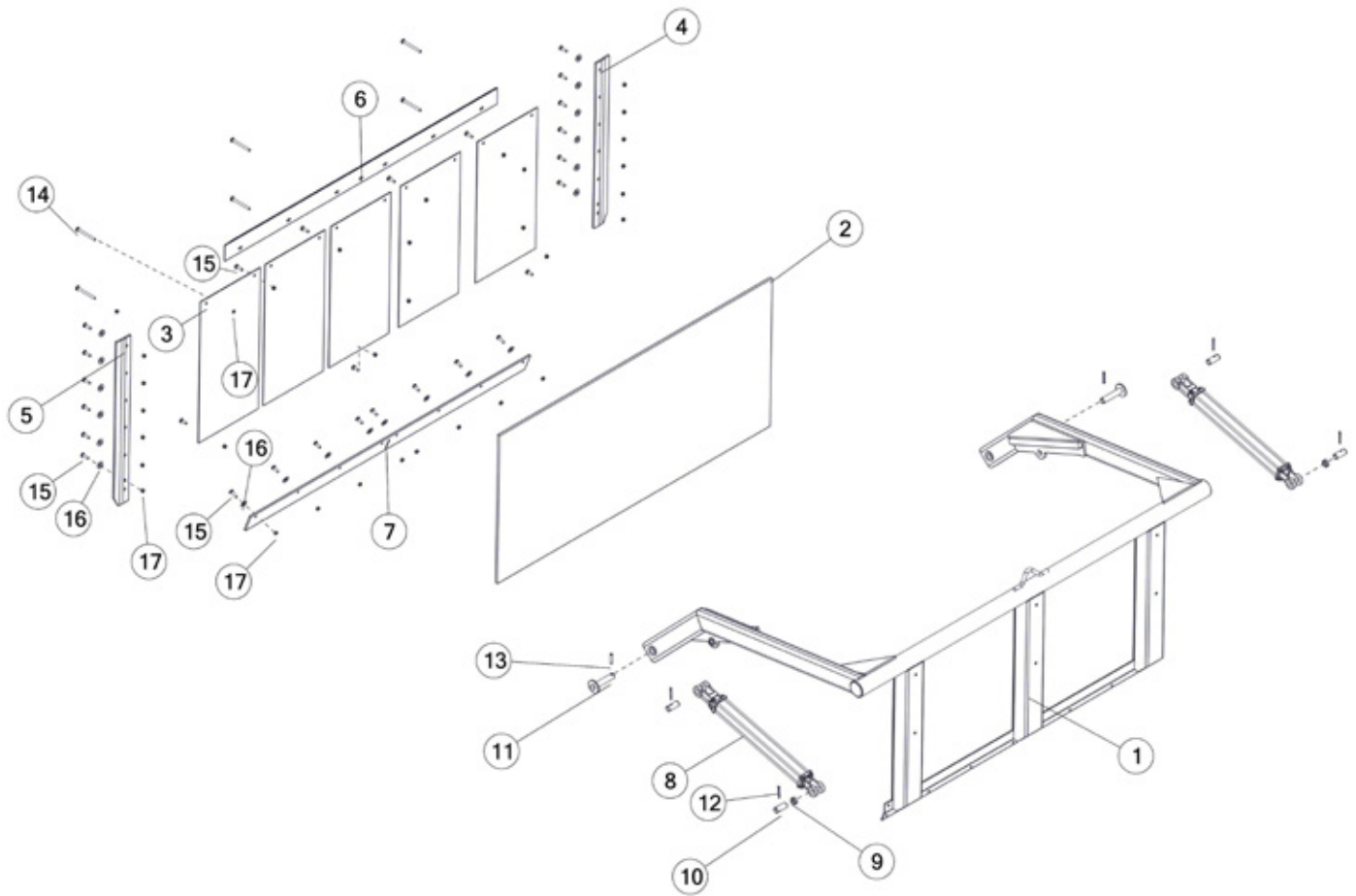




FIGURE 10
ENDGATE & COMPONENTS

REF #	PART #	DESCRIPTION	QTY
1	42N28B	END GATE W/DECALS	1
2	42N34	ENDGATE POLY	1
3	42N165	ENDGATE CURTAIN	5
4	42N31	ENDGATE RUBBER RIGHT	1
5	42N32	ENDGATE RUBBER LEFT	1
6	89816	POLY HOLD DOWN	1
7	42N33	ENDGATE RUBBER	1
8	90970	HYDRAULIC CYLINDER, 2 X 20	2
*	56187	SEAL KIT	2
9	K132	SPACER, 3/8 LONG	2
10	56N141	SHAFT, RND, 1 X 2-1/2, PIN, CYLINDER	1
11	42N29	HINGE PIN	2
12	YPCT05025	COTTER PIN, 5/32 X 2	4
13	YPEX12020	EXPANSION PIN, 3/8 X 2	2
14	YBCR12105	BOLT CARRIAGE, FT, 3/8-16 X 4-1/2 G5 ZC	6
15	YBCR12015	BOLT CARRIAGE, 3/8-16 X 1-1/2 G5 ZC	27
16	YWFL16005	WASHER FLAT, 1/2 USS	24
17	YNHX12005	NUT HEX, 3/8-16 NA A ZC	33





FIGURE 11 BEATER PANELS & COMPONENTS

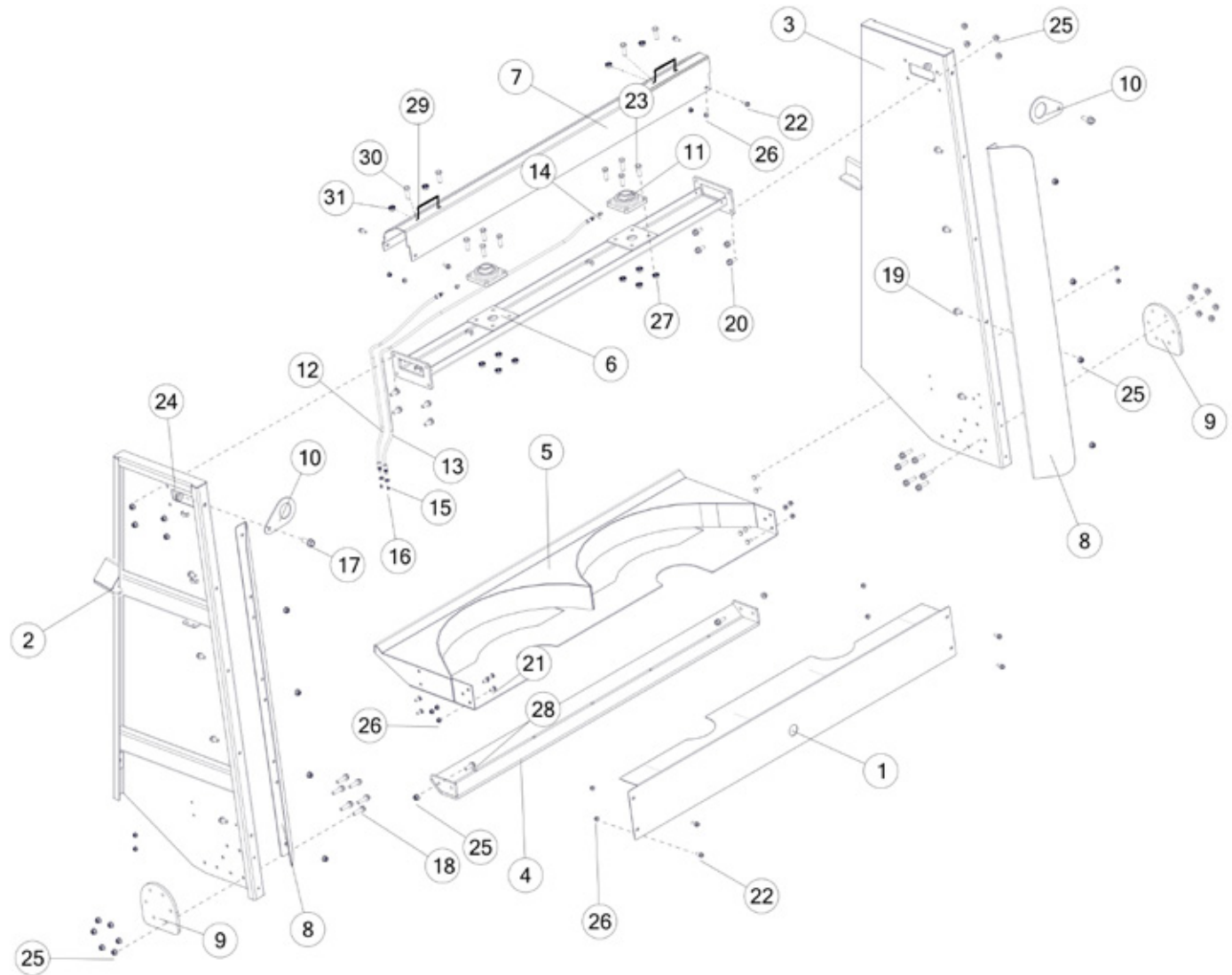




FIGURE 11

BEATER PANELS & COMPONENTS

REF #	PART #	DESCRIPTION	QTY
1	87691	GEARBOX COVER	1
2	88837B	BEATER PANEL W/DECALS LH	1
3	88839B	BEATER PANEL W/DECALS RH	1
4	90870	BEATER SKID PLATE	1
5	87622	BEATER PAN	1
6	87578B	UPPER BEARING MOUNT W/DECALS	1
7	87579B	BEARING SHIELD W/DECALS	1
8	85230	BEATER DEFLECTOR	2
9	87568	BEATER SUPPORT LEG	2
10	HGV50	LIFTING EYE	2
11	12V99	BRG, 5.13 X 1.50 X 2.02, FLANGE	2
12	89739	GREASE HOSE, 3, 45	1
13	89741	GREASE HOSE, 3, 80	1
14	TS323	FITTING STRAIGHT, 1/4-28, 1/8-27NPT	2
15	YNJM04005	NUT, JAM, 1/8 A	2
16	G89	STRAIGHT ZERK, 1/4-28	2
17	YBFB20175	BOLT FLANGE, 5/8 X 1-3/4 G5	2
18	YBFB16200	BOLT FLANGE, 1/2 X 2 G5	12
19	YBFB16100	BOLT FLANGE, 1/2 X 1 G5	8
20	YBFB16125	BOLT FLANGE, 1/2 X 1-1/4 G5	8
21	YBCR12010	BOLT CARRIAGE, 3/8-16 X 1 G5 ZC	6
22	YBFB12003	BOLT FLANGE, 3/8 X 1 G5	8
23	YBHH18010	BOLT HEX, 9/16 X 1-3/4 G5 ZINC	8
24	YNFG20005	NUT FLANGE, 5/8-11 LKTL F ZC	2
25	YNFG16003	NUT FLANGE, 1/2 GF	22
26	YNFG12006	NUT FLANGE, 3/8 GF	8
27	YNSF18005	NUT FLANGE, 9/16-12 LKSF CH ZC	8
28	YBFB16150	BOLT FLANGE, 1/2 X 1-1/2 G5	2
29	TS96	SHIELD HANDLE	2
30	YBHH08100	BOLT HEX, 1/4 X 3/4 G5	4
31	YNFG08010	NUT FLANGE, 1/4 GF	4





FIGURE 12 BEATERS & COMPONENTS

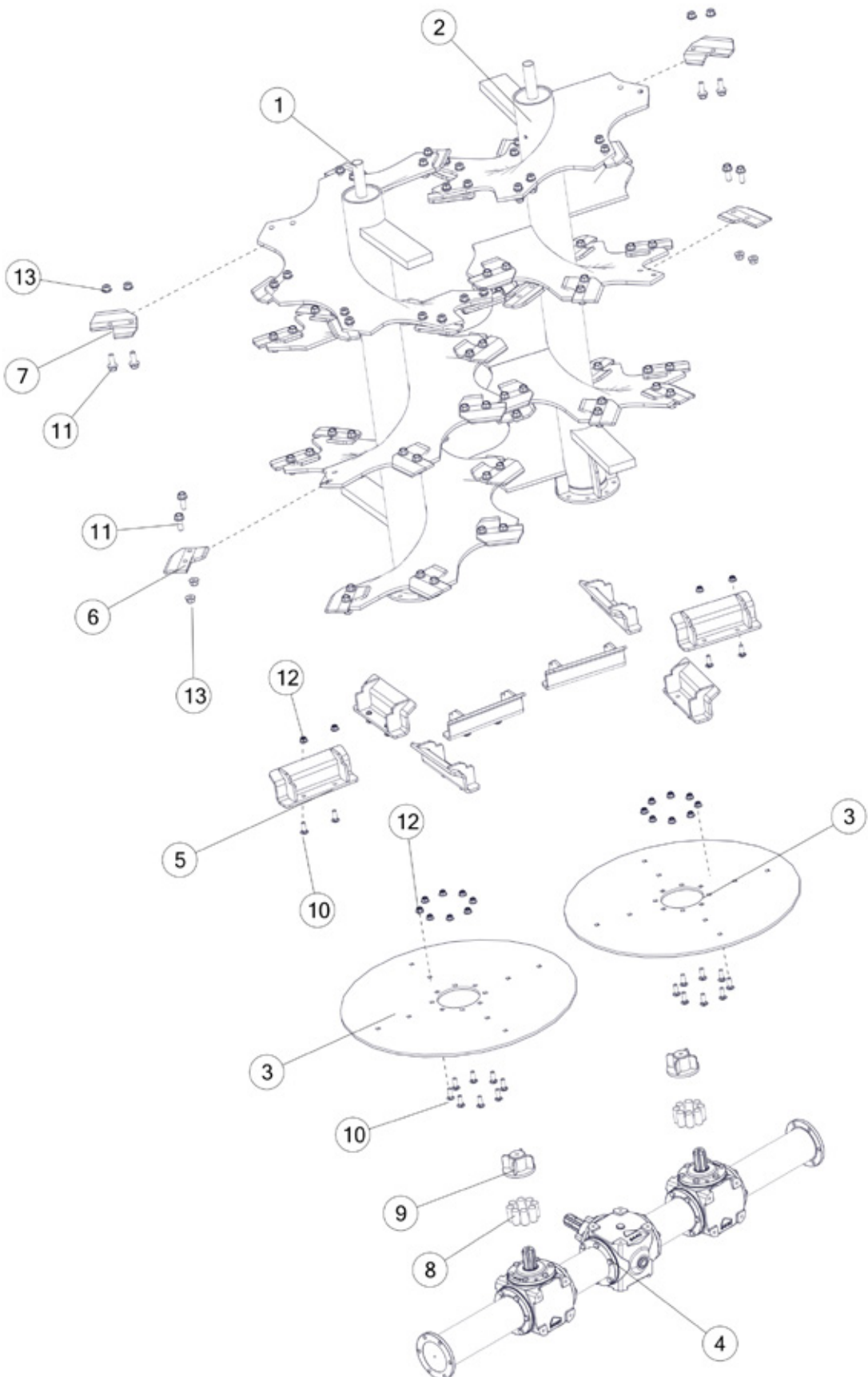




FIGURE 12 BEATERS & COMPONENTS

REF #	PART #	DESCRIPTION	QTY
1	87974	BEATER ASSEMBLY, LH	1
2	87978	BEATER ASSEMBLY, RH	1
3	87538	BEATER DISK	2
4	93018	VERTICAL BEATER GEARBOX ASSEMBLY	1
5	87596	SPINNER BLADE WLDMT	8
6	HGV122	BEATER BLADE, LH	21
7	HGV123	BEATER BLADE, RH	21
8	87886	POLY ROD	16
9	87559	GEARBOX SPLINE COUPLER	2
10	YBCR16010	BOLT CARRIAGE, 1/2-13 X 1-1/2 G5 ZC	32
11	YBFB20175	BOLT FLANGE, 5/8 X 1-3/4 G5	84
12	YNFG16003	NUT FLANGE, 1/2 GF	32
13	YNFG20005	NUT FLANGE, 5/8-11 LKTL F ZC	84





FIGURE 13

LIGHTS

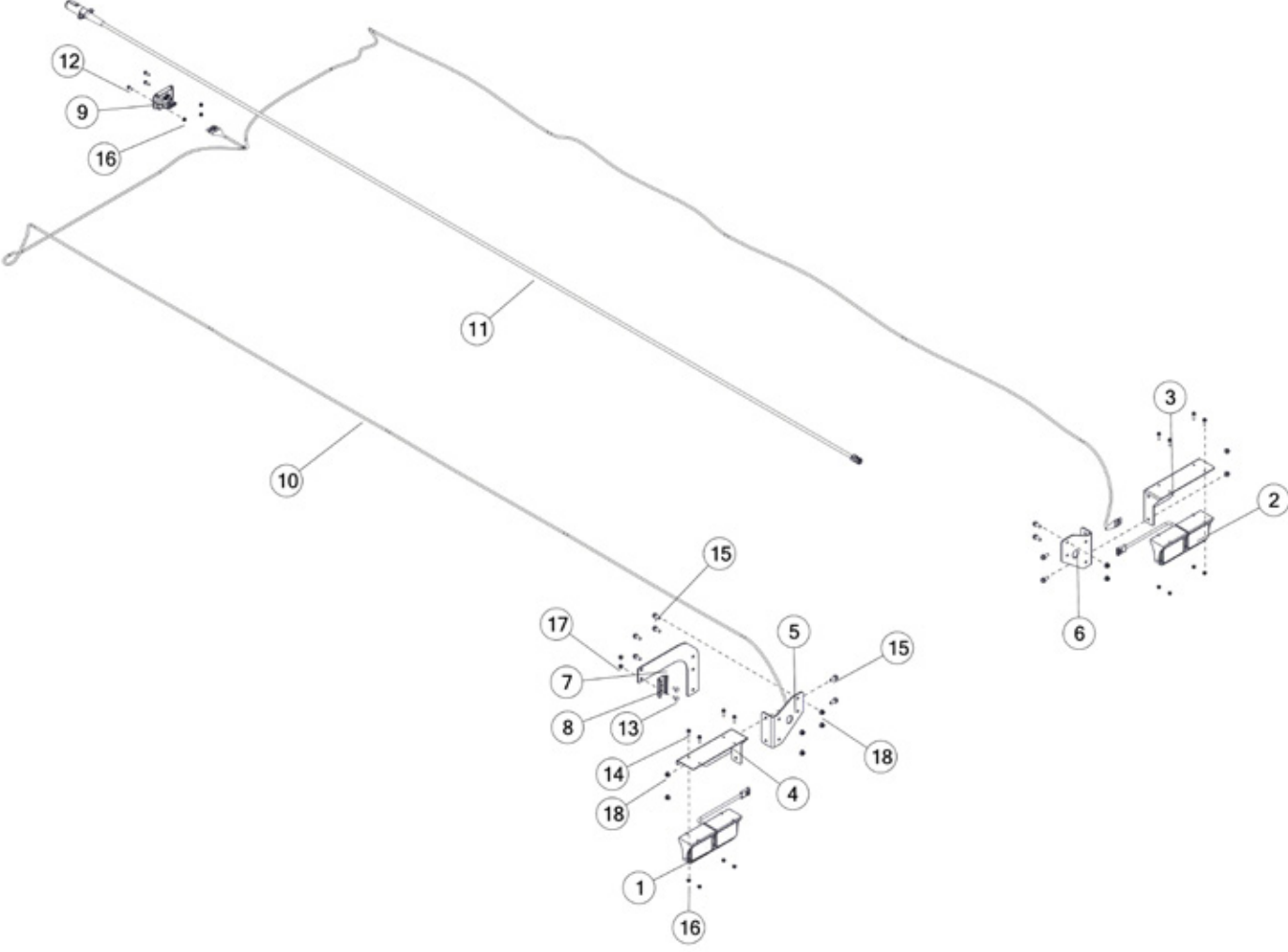




FIGURE 14
BEATER GEARBOX ASSEMBLY

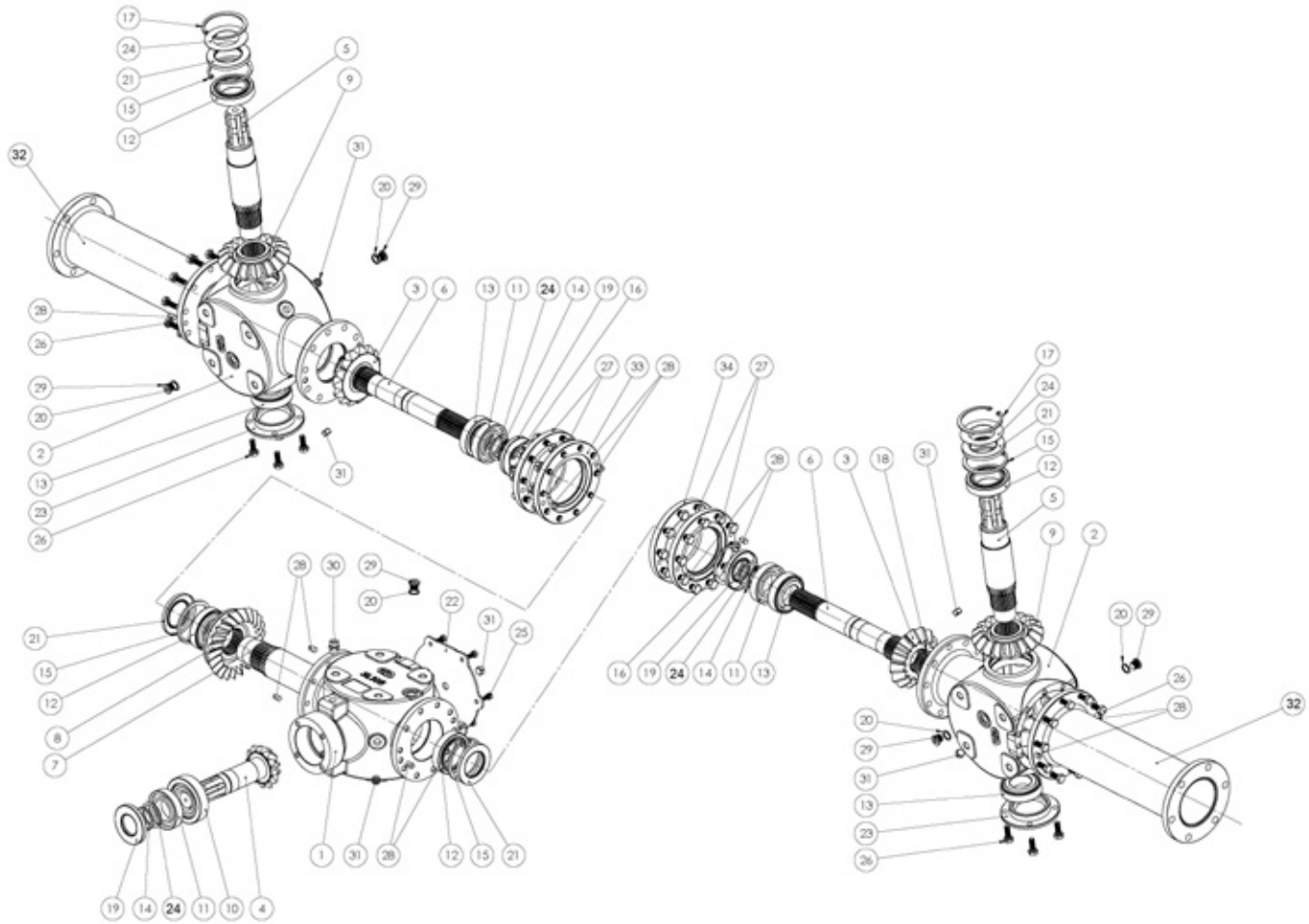




FIGURE 14

BEATER GEARBOXASSEMBLY

REF #	PART #	DESCRIPTION	QTY
1	92998	CENTER HOUSING	1
2	92999	OUTER HOUSING	2
3	93086	GEAR	2
4	93011	INPUT SHAFT	1
5	93012	OUTPUT SHAFT	2
6	93090	SHAFT	2
7	93080	CENTRAL SHAFT	1
8	93079	CROWN GEAR	1
9	93085	CROWN GEAR	2
10	93969	BEARING	1
11	93009	BEARING	3
12	93082	BEARING	4
13	93081	BEARING	4
14	93013	SNAP RING	3
15	93083	SNAP RING	4
16	93087	SNAP RING	2
17	93005	SNAP RING	2
18	93091	SNAP RING	2
19	93015	SEAL	3
20	93017	SEAL	6
21	93006	COVER	4
22	93010	COVER PLATE	1
23	93008	BASE PLATE	2
24	93007	SHIM KIT	3
25	YBHH74016	BOLT HEX, M8-1.25 X 16 8.8 ZC	6
26	YBHH76030	BOLT HEX, M10-1.5 X 30 8.8 ZC	28
27	YBHH78015	BOLT HEX, M12-1.75 X 30 8.8 ZC	40
28	93016	PIN	12
29	93003	OIL PLUG	6
30	93002	BREATHER	1
31	93004	OIL PLUG	8
32	93000	OUTER SUPPORT	2
33	93001	CENTER SUPPORT, RH	1
34	93976	CENTER SUPPORT, LH	1





FIGURE 15
OPTIONAL FLOW CONTROL (HPOVSC)

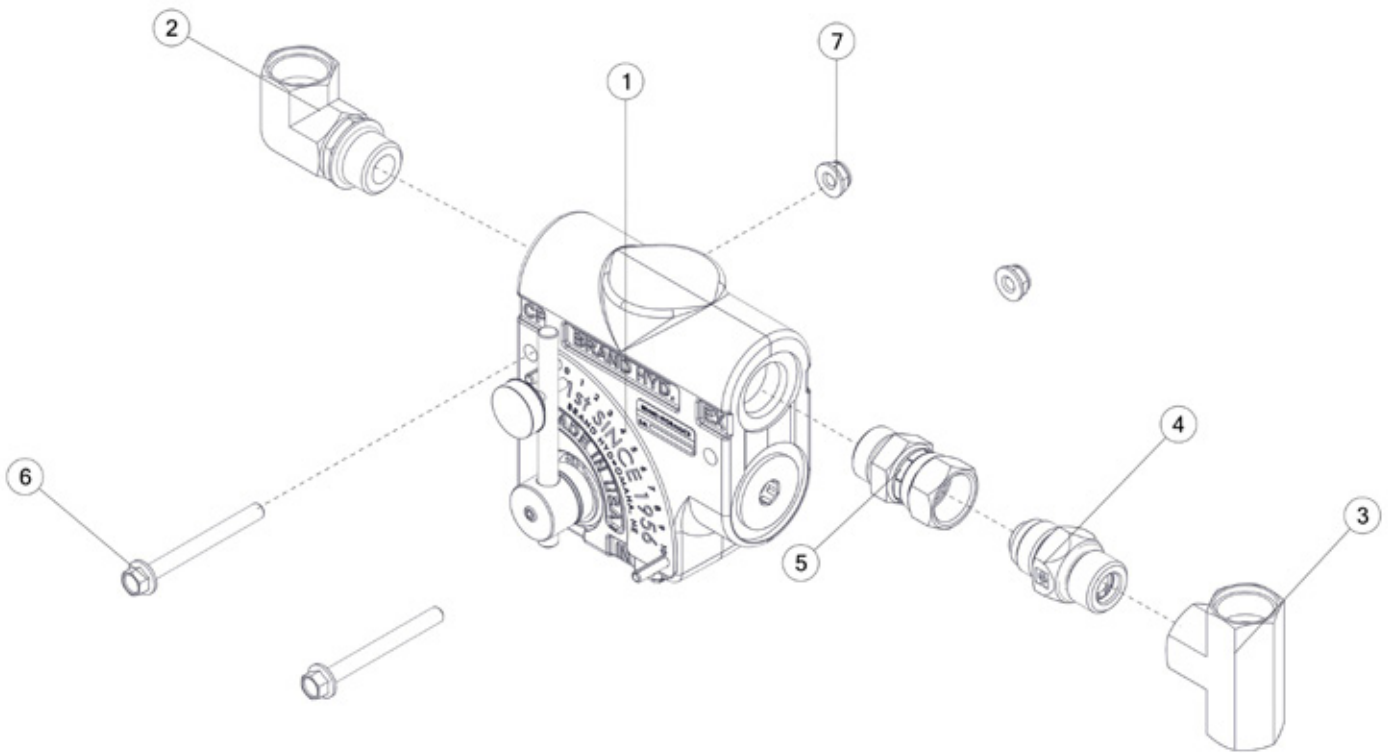




FIGURE 15

OPTIONAL FLOW CONTROL (HPOVSC)

REF #	PART #	DESCRIPTION	QTY
1	89583	FLOW CONTROL	1
2	90157	FITTING 90, 10ORB, 10ORB	1
3	91707	FITTING T, 10ORB, 10ORB, 10ORB	1
4	91722	FITTING STRAIGHT, 10JIC, 10ORB, CHECK	1
5	84907	FITTING STRAIGHT, 5/8JIC, 10ORB	2
6	YBFB08250	BOLT FLANGE, 1/4 X 2-12	2
7	YNFG08010	NUT FLANGE, 1/4	2





FIGURE 16

OPTIONAL VARIABLE SPEED CONTROL (HPOVSEC)

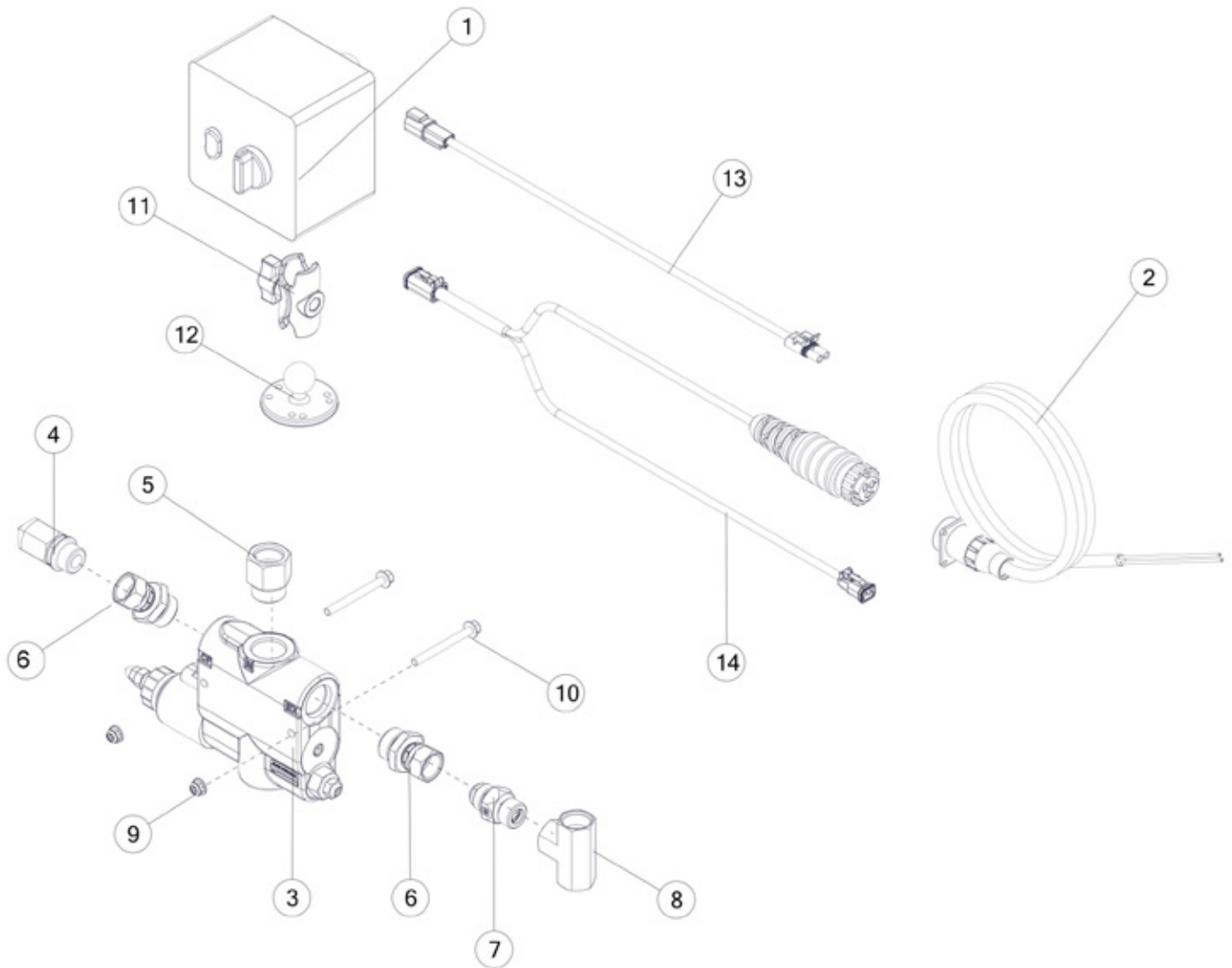




FIGURE 16
OPTIONAL VARIABLE SPEED CONTROL
(HPOVSEC)

REF #	PART #	DESCRIPTION	QTY
1	91719	CONTROL BOX	1
2	16SV269	TRACTOR CONTROL CABLE	1
3	89668	ELECTRIC FLOW CONTROL	1
4	GM56	FITTING 90, 10JIC, 10ORB	1
5	69135	FITTING STRAIGHT, 12ORB, 10ORB	1
6	91704	FITTING STRAIGHT, 10JIC, 12ORB	2
7	91722	FITTING STRAIGHT, 10JIC, 10ORB, CHECK	1
8	91707	FITTING TEE, 10ORB, 10ORB, 10ORB	1
9	YNFG08010	NUT FLANGE, 1/4 GF	2
10	YBFB08250	BOLT FLANGE, 1/4 X 2-1/2 G5	2
11	85272	RAM DOUBLE SOCKET SHORT ARM	1
12	71445	MOUNT, RAM, CTRL MODULE	1
13	91712	IMPLEMENT HARNESS	1
14	91713	CAB HARNESS	1





FIGURE 17

OPTIONAL SCREEN EXTENSION (HPOFASE)

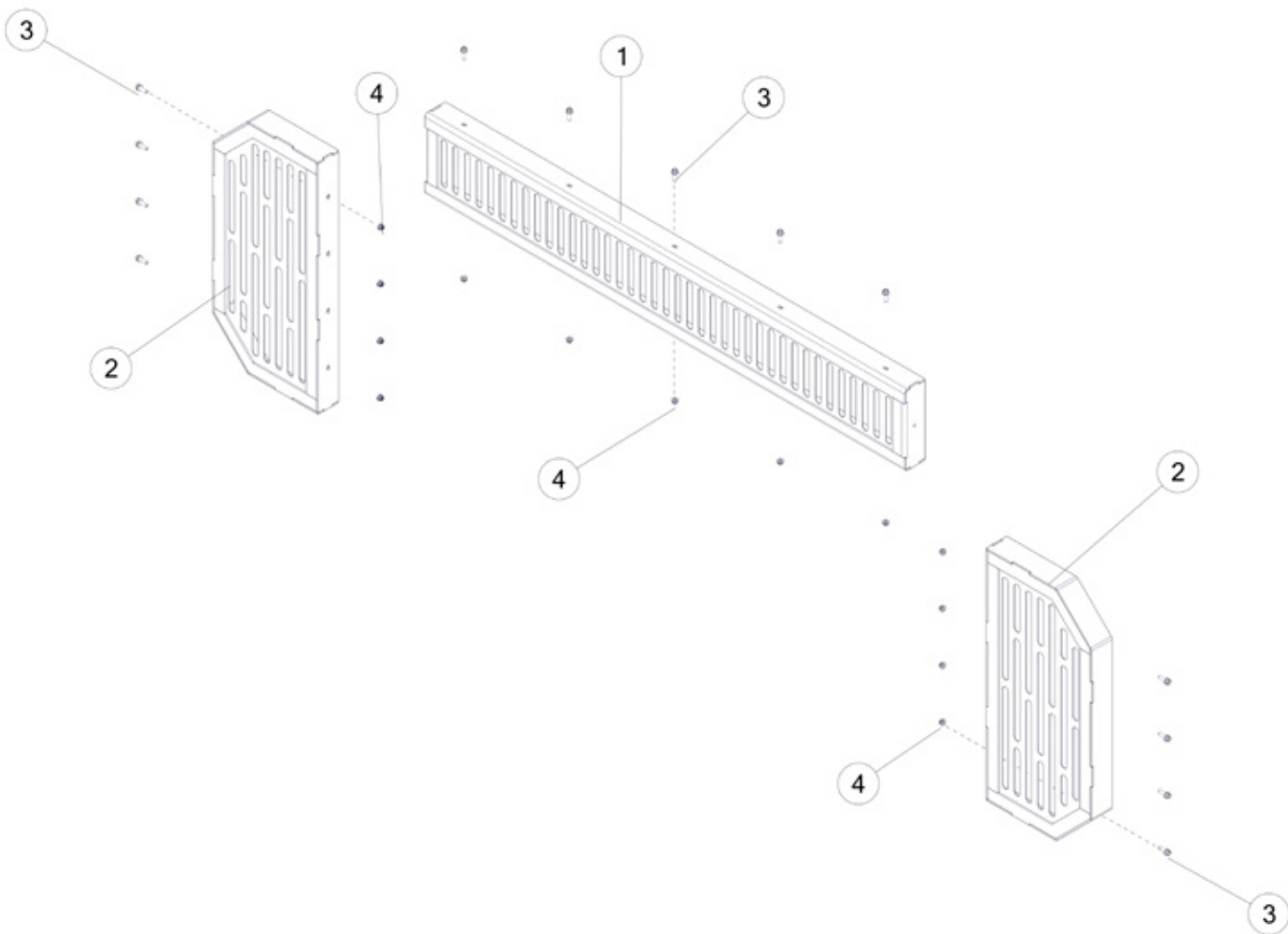




FIGURE 17
OPTIONAL SCREEN EXTENSION
(HPOFASE)

REF #	PART #	DESCRIPTION	QTY
1	89691	STONE GUARD UPPER EXTENSION	1
2	89681	STONE GUARD SIDE EXTENSION	2
2	YBFB12125	BOLT FLANGE, 3/8 X 1-1/4 G5	13
4	YNFG12006	NUT FLANGE, 3/8 GF	13





FIGURE 18
HPO1034CV PTO

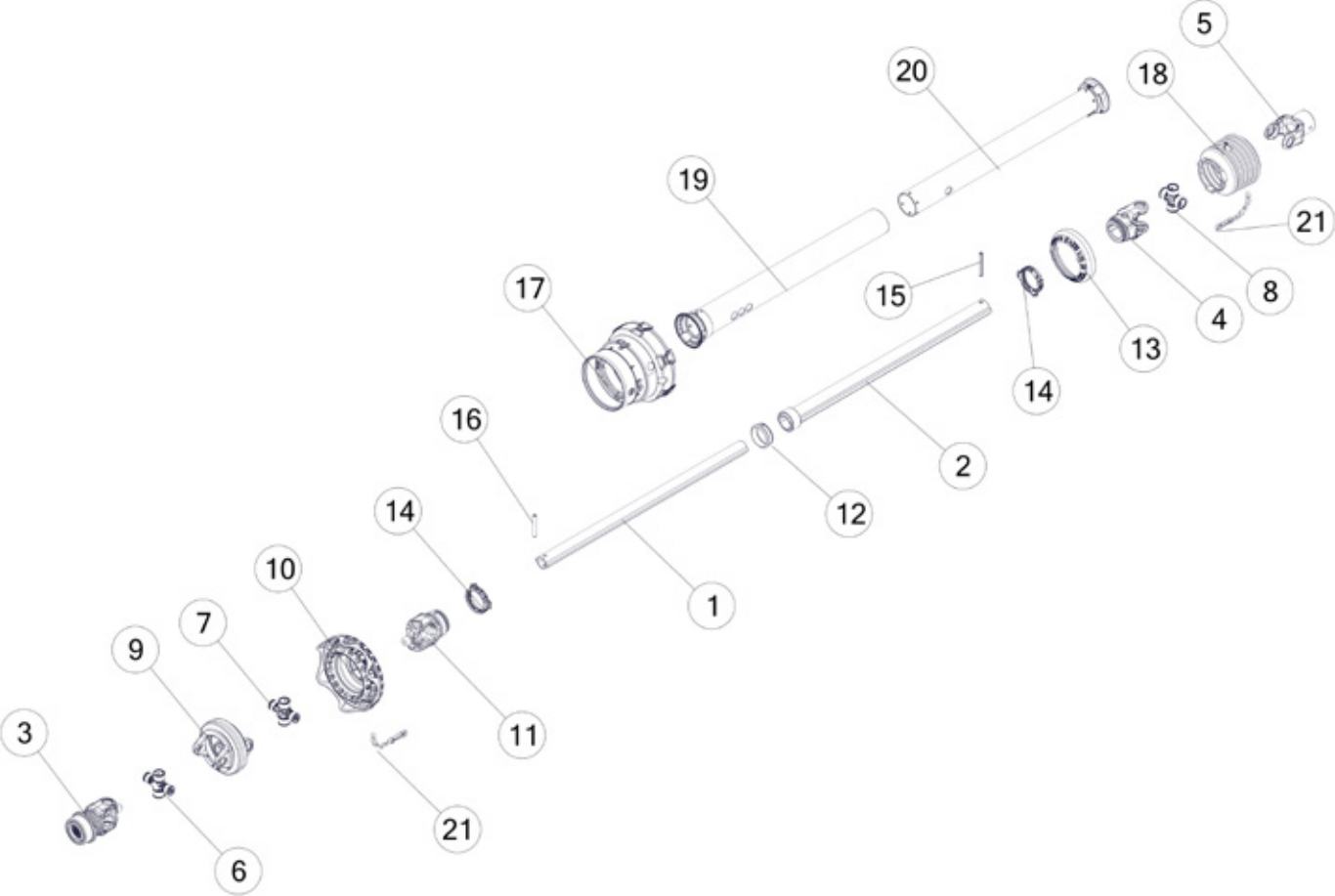




FIGURE 18

HPO1034CV PTO

REF #	PART #	DESCRIPTION	QTY
1	89772	INNER SHAFT	1
2	89790	OUTER SHAFT	1
3	89799	YOKE	1
4	89787	YOKE	1
5	89789	YOKE	1
6	89768	CROSS AND BEARING KIT	1
7	89770	CROSS AND BEARING KIT	1
8	89786	CROSS AND BEARING KIT	1
9	89769	DOUBLE YOKE	1
10	89776	NET GUARD	1
11	89771	INBOARD YOKE	1
12	89793	SUPPORT BEARING	1
13	89792	REINFORCING COLLAR	1
14	87919	BEARING RING	2
15	87920	SPRING PIN	1
16	89773	SPRING PIN	1
17	89784	CV GUARD	1
18	87926	GUARD CONE	1
19	89774	OUTER GUARD TUBE	1
20	89791	GUARD TUBE INNER	1
21	87916	RESTRAINT CHAIN	2
*	89800	COMPLETE PTO	1





FIGURE 19
HPO1038CV PTO

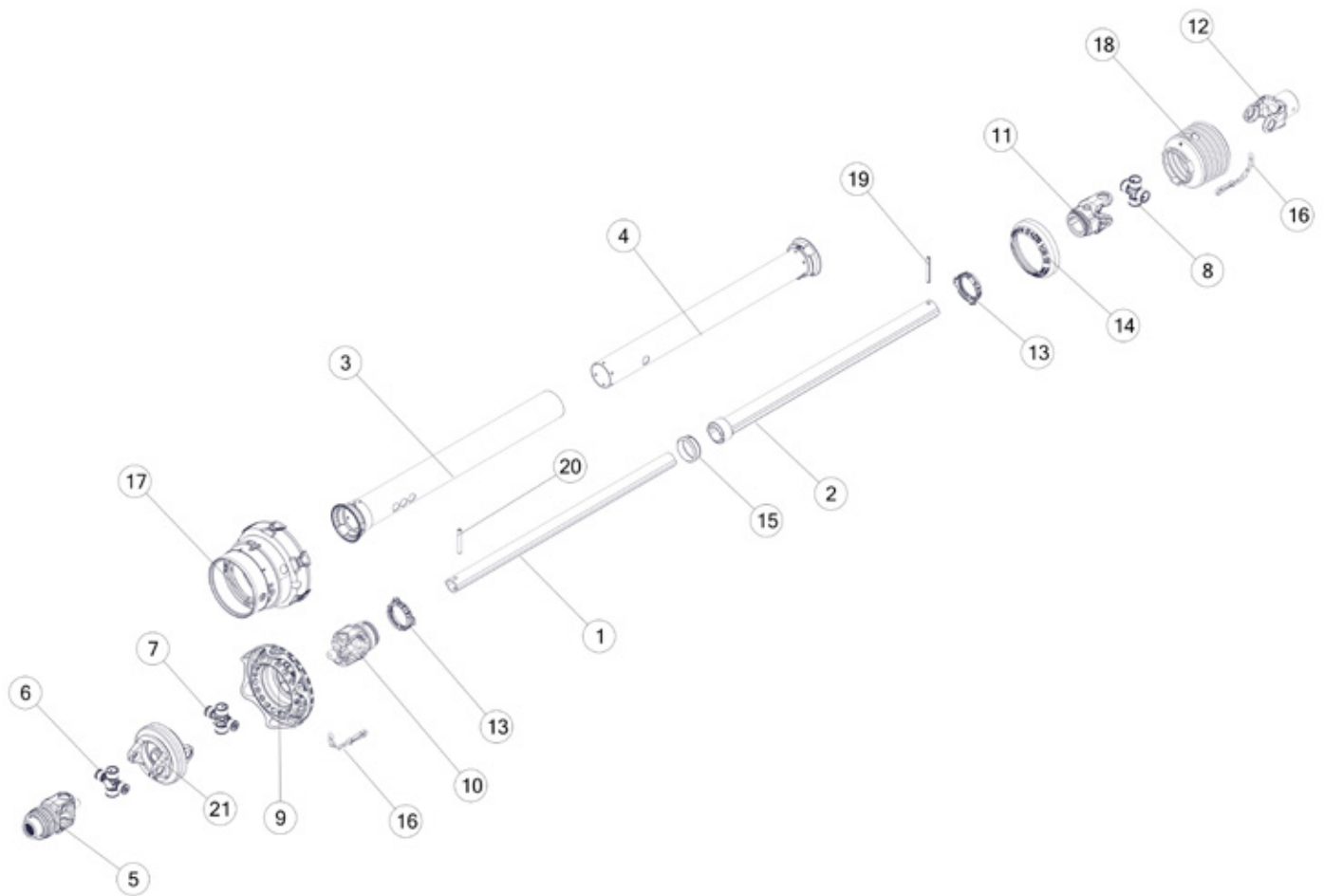




FIGURE 19

HPO1038CV PTO

REF #	PART #	DESCRIPTION	QTY
1	89772	INNER SHAFT	1
2	89790	OUTER SHAFT	1
3	89774	OUTER GUARD TUBE	1
4	89791	GUARD TUBE INNER	1
5	89767	YOKE ASSEMBLY	1
6	89768	CROSS AND BEARING KIT	1
7	89770	CROSS AND BEARING KIT	1
8	89786	CROSS AND BEARING KIT	1
9	89776	NET GUARD	1
10	89771	INBOARD YOKE	1
11	89787	YOKE	1
12	89789	YOKE	1
13	87919	BEARING RING	2
14	89792	REINFORCING COLLAR	1
15	89793	SUPPORT BEARING	1
16	87916	RESTRAINT CHAIN	2
17	89784	CV GUARD	1
18	87926	GUARD CONE	1
19	87920	SPRING PIN	1
20	89773	SPRING PIN	1
21	89769	DOUBLE YOKE	1
*	89794	COMPLETE PTO	1



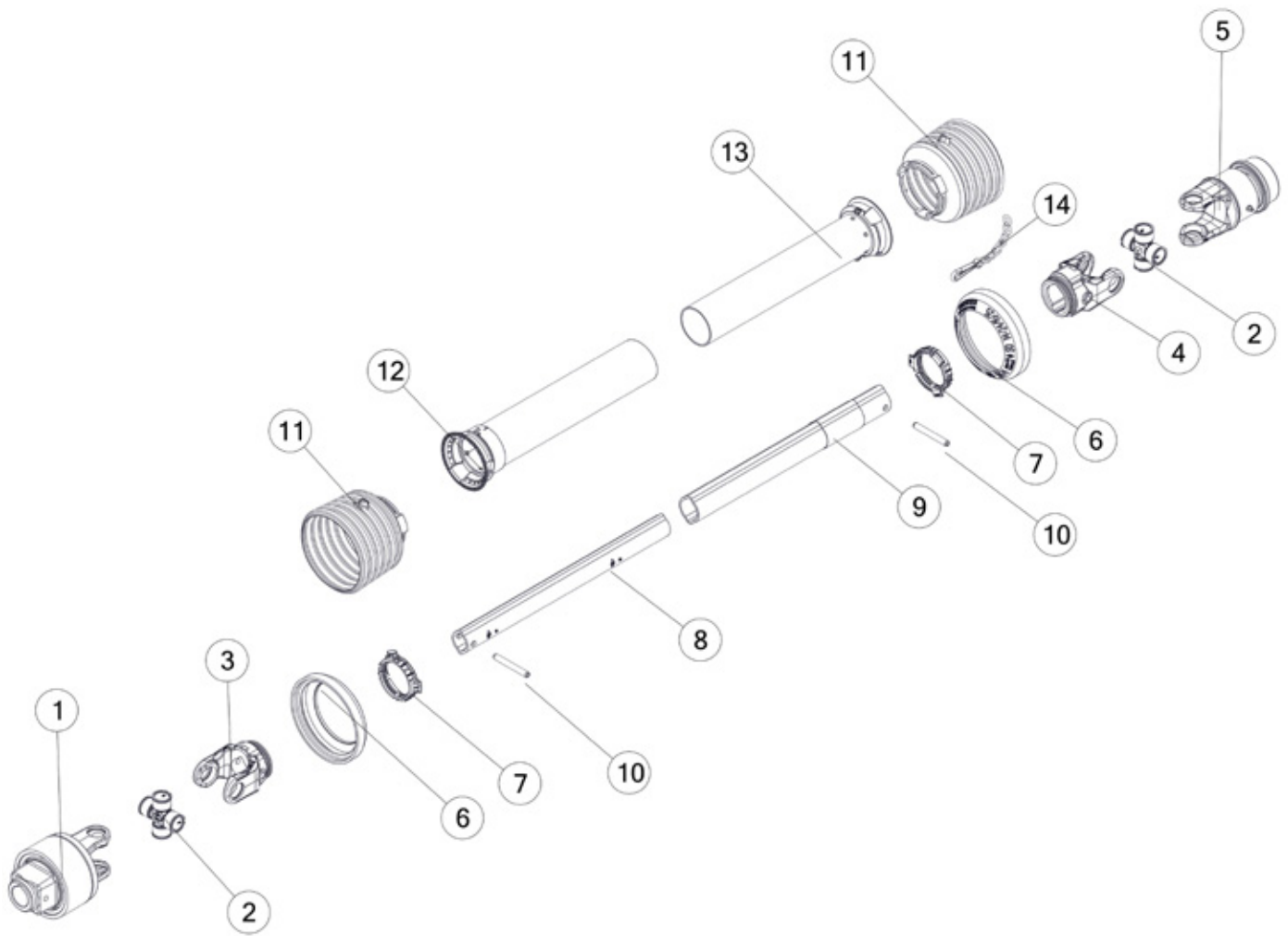




FIGURE 20
1000 RPM PTO

REF #	PART #	DESCRIPTION	QTY
1	87929	CUT OUT CLUTCH	1
2	87923	CROSS BEARING KIT	2
3	87922	YOKE	1
4	89787	YOKE	1
5	87928	OVERRUNNING CLUTCH	1
6	87918	REINFORCING COLLAR	2
7	87919	BEARING RING	2
8	87930	INNER SHAFT	1
9	87934	OUTER SHAFT	1
10	87920	SPRING PIN	2
11	87927	GUARD CONE	2
12	87931	OUTER GUARD TUBE	1
13	87936	INNER GUARD TUBE	1
14	87916	RESTRAINT CHAIN	1
*	87914	COMPLETE PTO, 1-3/4 1000 RPM	1





H&S MFG. CO.

products approved

for the

FEMA

SEAL OF QUALITY



Manufactured by:

H&S MANUFACTURING CO., INC.

2608 S. HUME AVE. MARSHFIELD, WI 54449

(715) 387-3414 | hsmfgco.com

