



HPV4242

MANURE SPREADER

PARTS BOOK

Part #91691

HSMFG110322

Rev. #04 Starting Ser. #322VP42001

STRONG HERITAGE - STRONG PEOPLE - STRONGER FUTURE



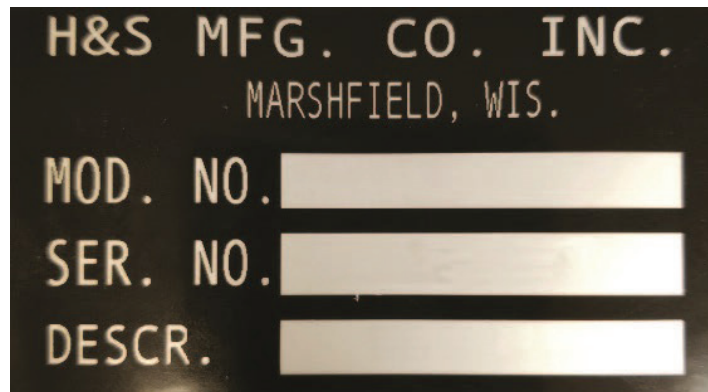
INSTRUCTIONS FOR ORDERING PARTS

All service parts should be ordered through your authorized H&S dealer. Your Dealership will be able to give you faster service if you will provide them with the following:

1. All references to left or right apply to the machine as viewed from the rear.
2. Parts should not be ordered from illustration only. Please order complete part number.
3. If your dealer has to order parts - give shipping instructions:

VIA truck - large pieces (please specify local truck lines)

VIA United Parcel Service (include full address)



MODEL & SERIAL NUMBER LOCATED ON
FRONT, LEFT SIDE OF PTO BEARING SUPPORT MOUNT

PLEASE RECORD NUMBERS FOR YOUR UNIT FOR QUICK REFERENCE

H&S IS CONTINUALLY STRIVING TO IMPROVE ITS PRODUCTS

We must, therefore, reserve the right to make improvements or changes whenever it becomes practical to do so, without incurring any obligation to make changes or additions to the equipment previously sold.





FIGURE 1
HITCH & COMPONENTS

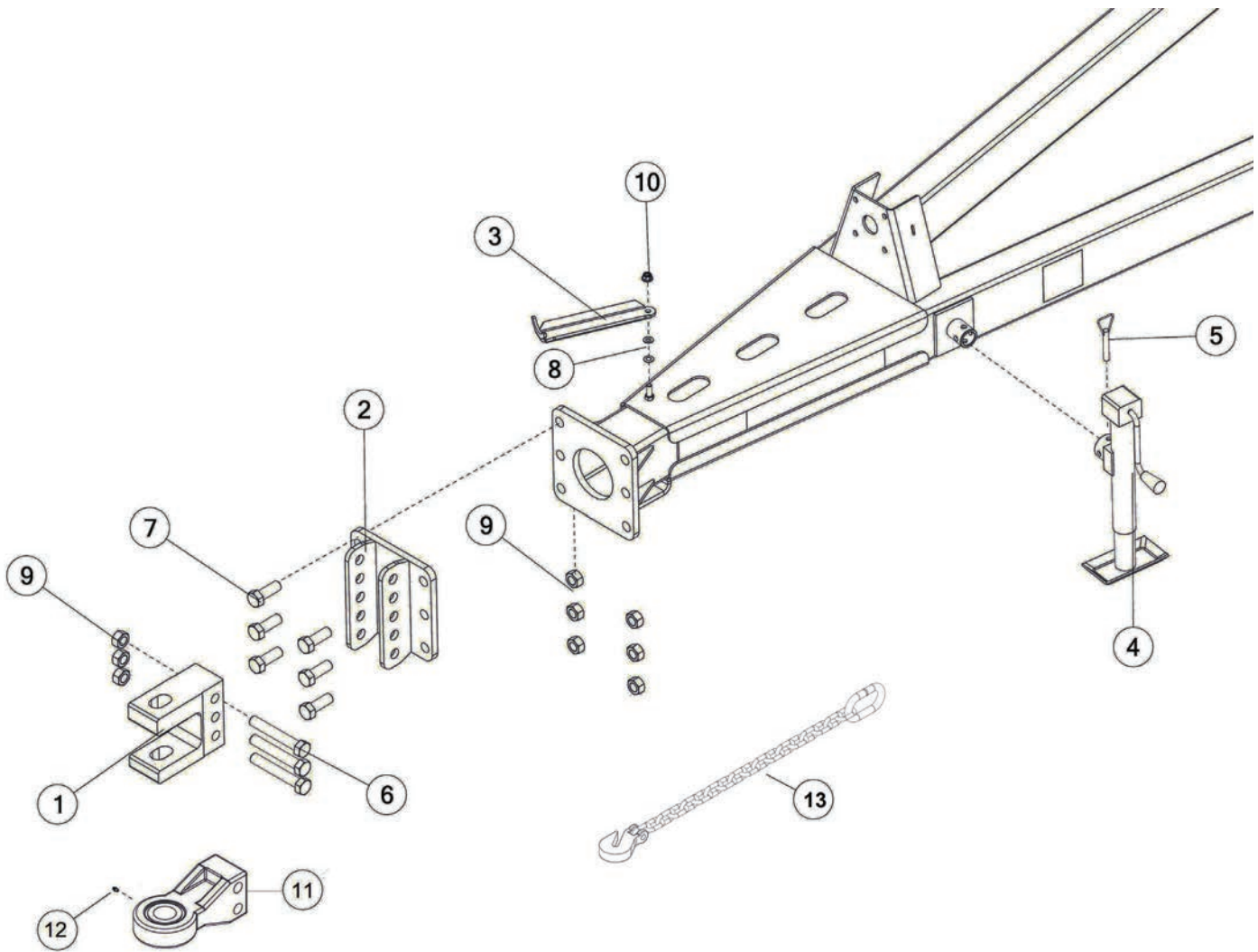




FIGURE 2
FLOOR & SIDE COMPONENTS

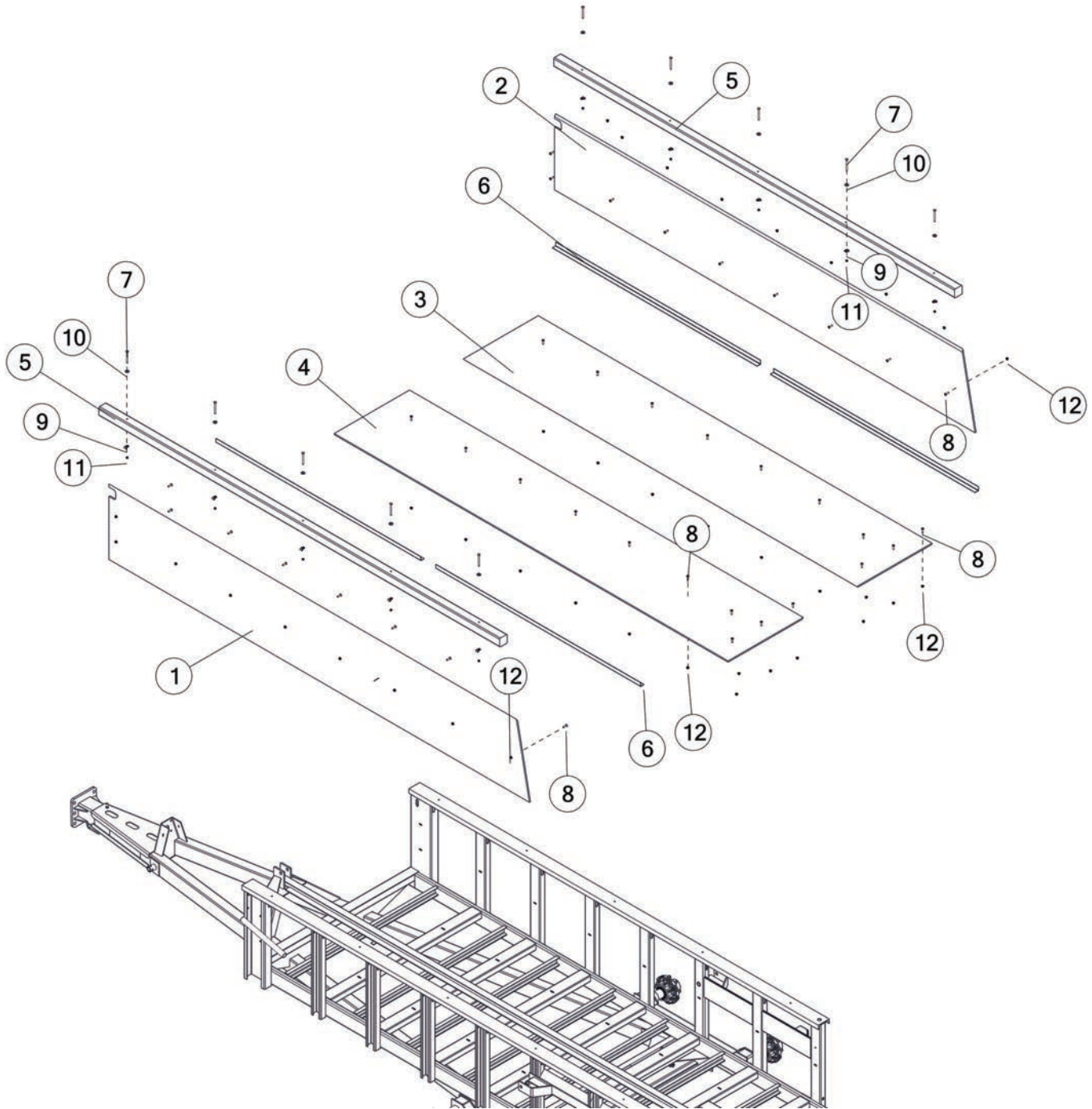




FIGURE 3
PTO SHIELD & COMPONENTS

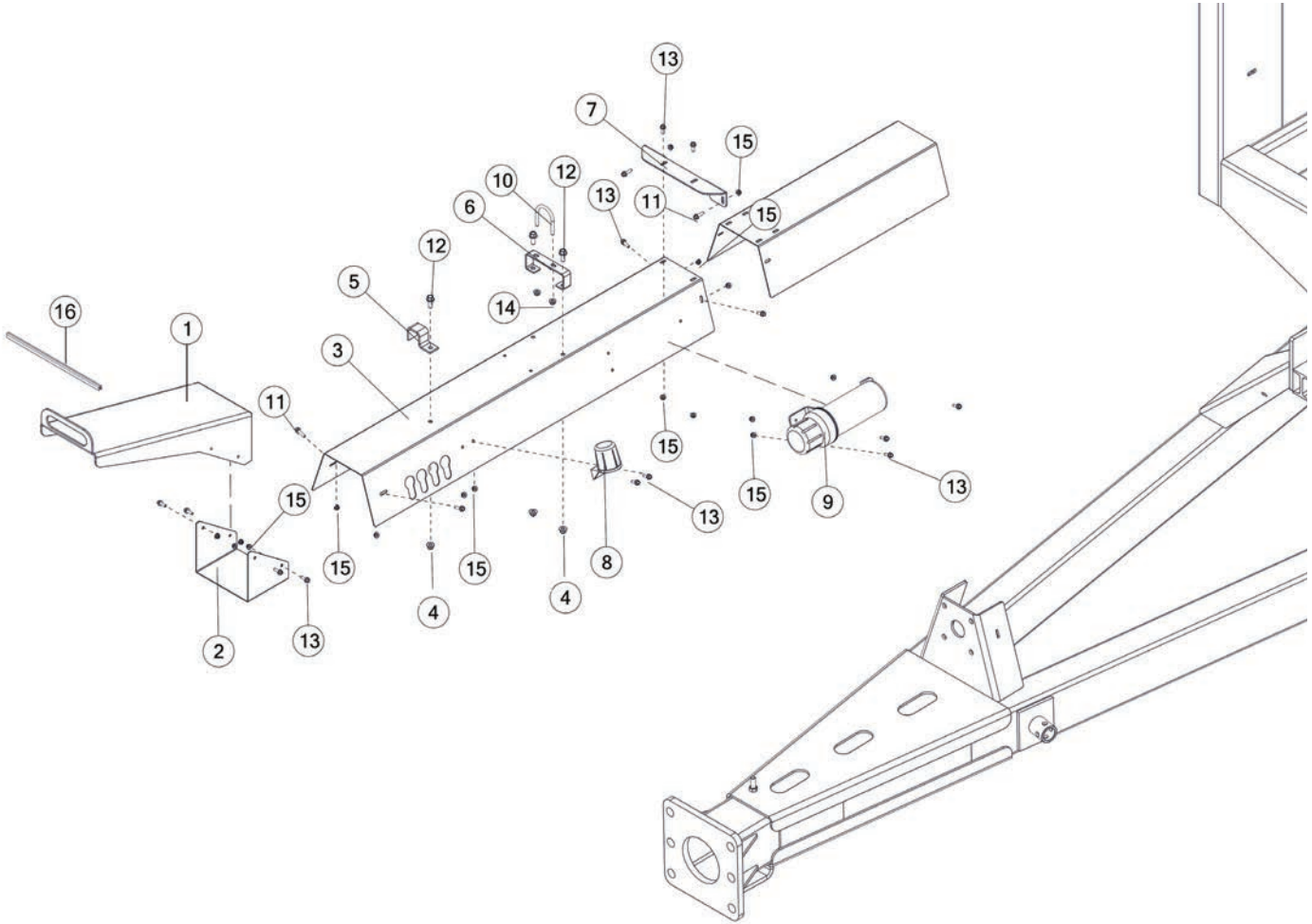




FIGURE 4 PUSHER COMPONENTS

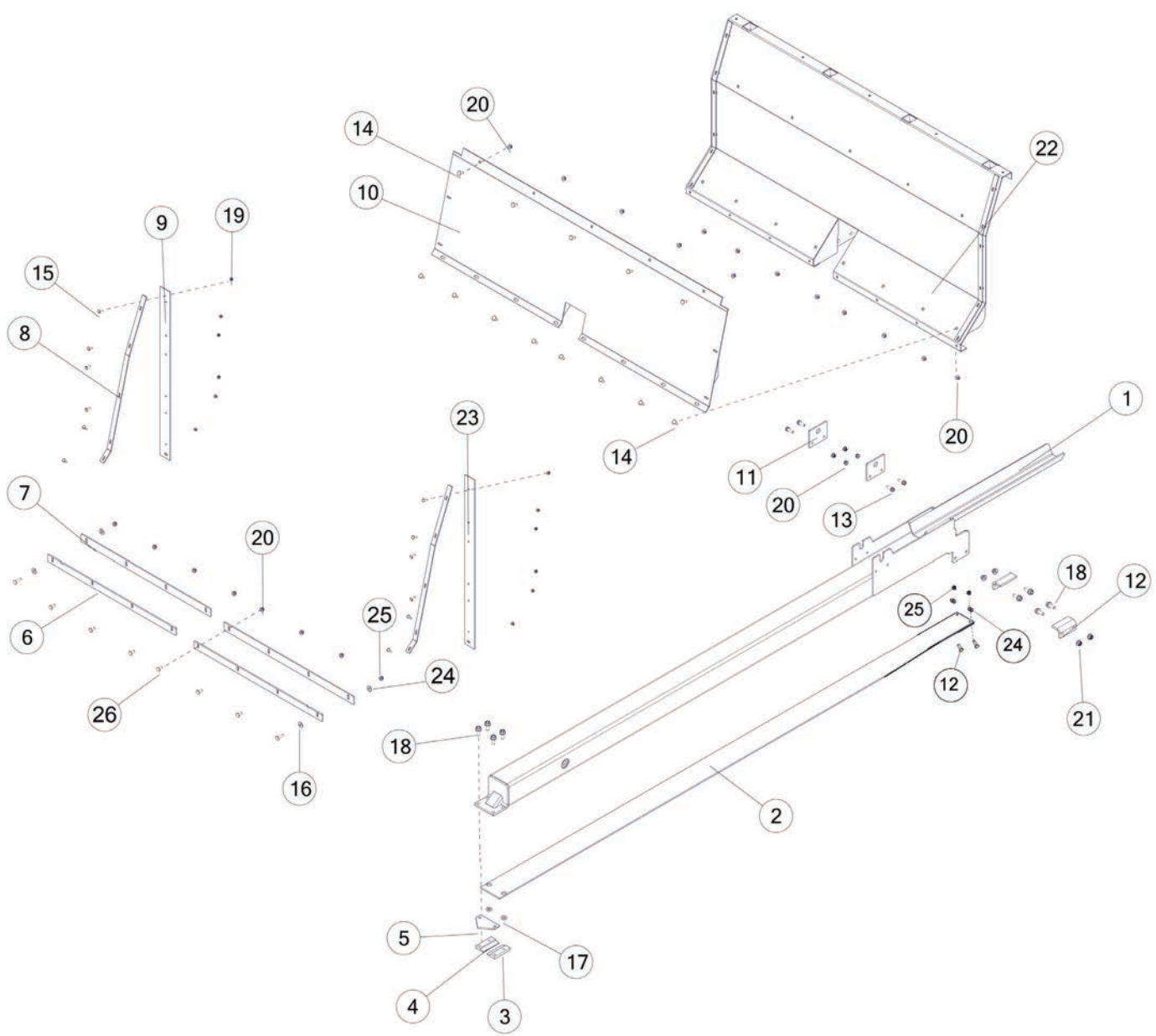




FIGURE 5 PUSHER EXTENSION & COMPONENTS

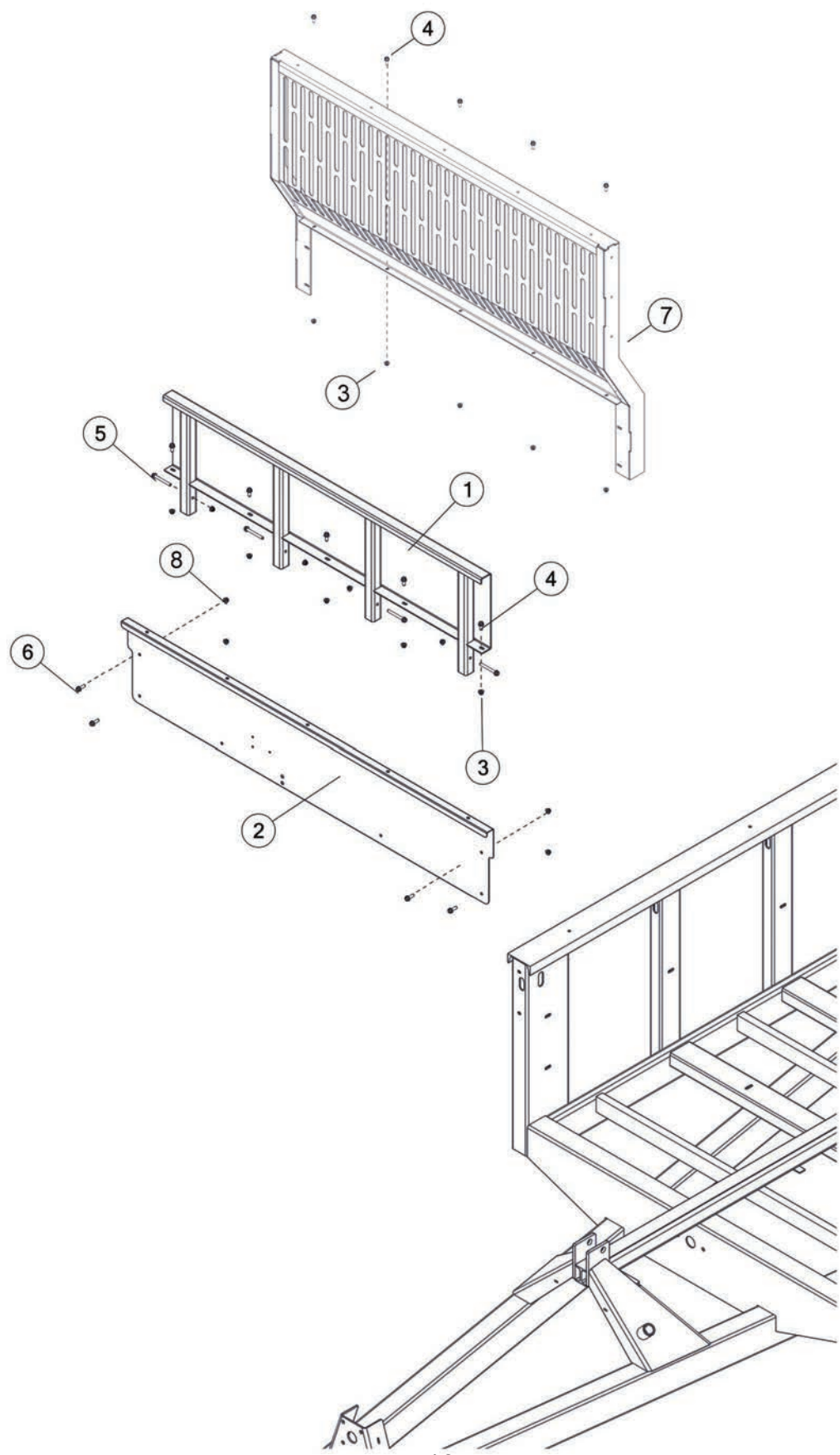




FIGURE 6 PUSHER SPACERS & COMPONENTS

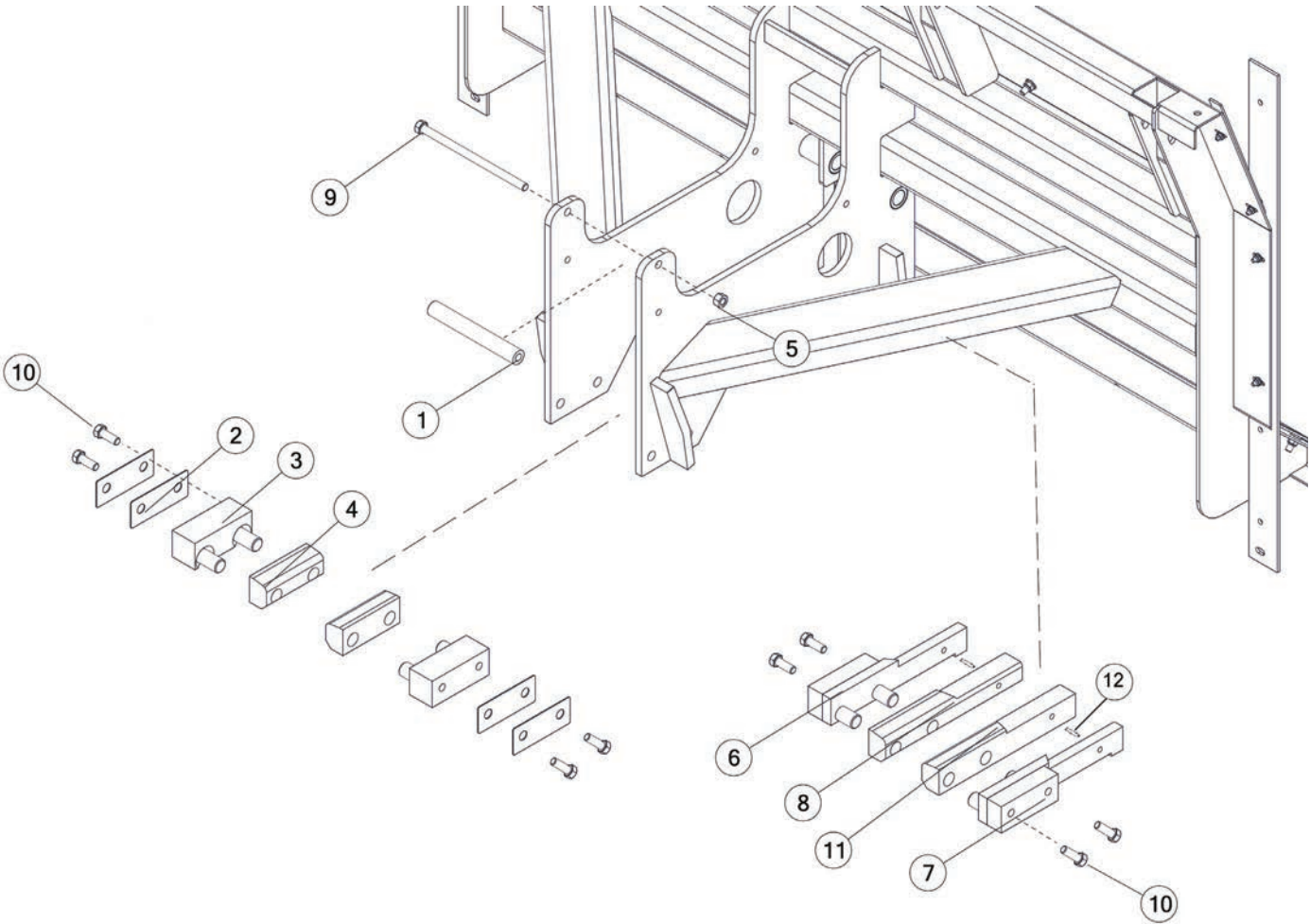




FIGURE 7
GEARBOX DRIVE & COMPONENTS

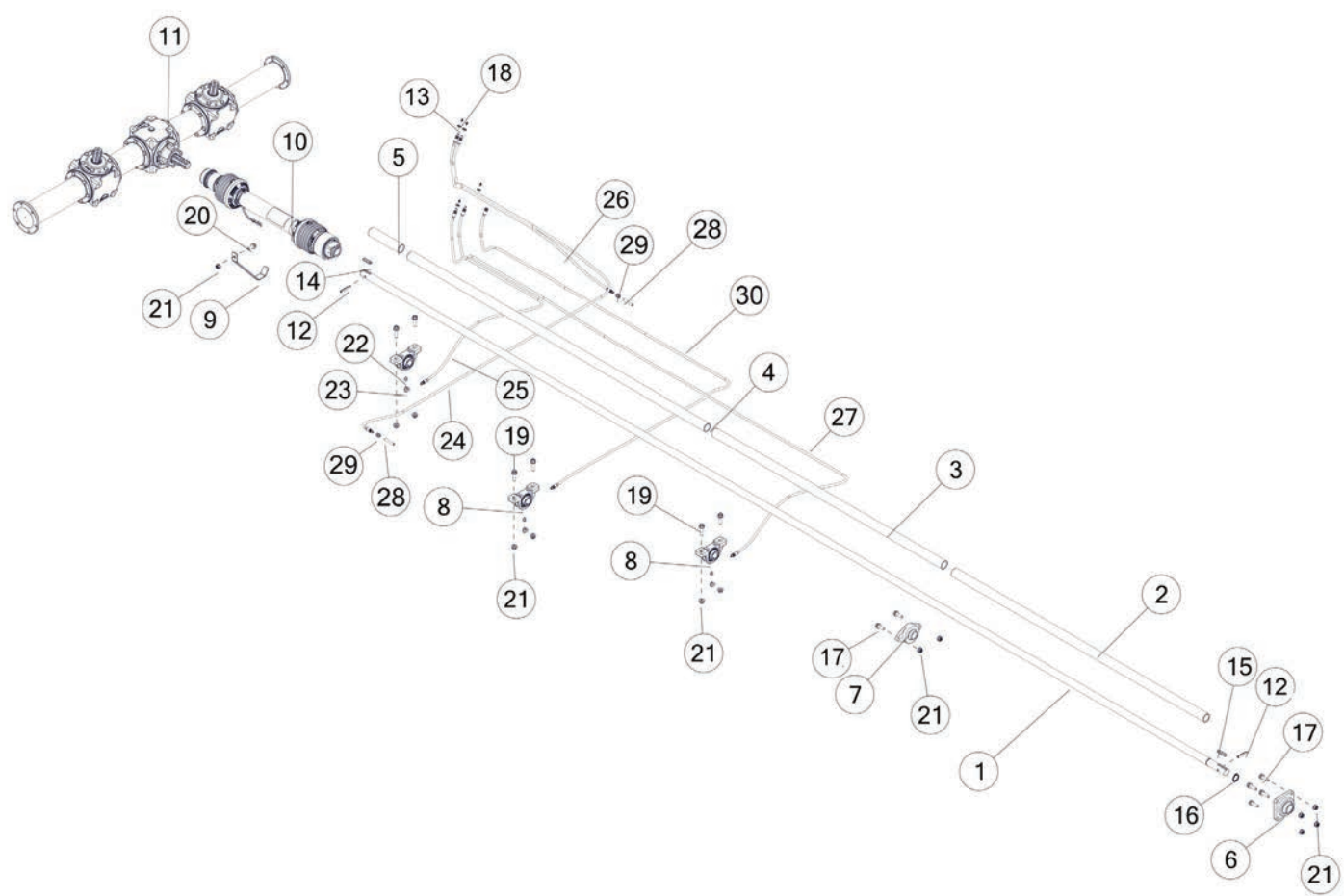




FIGURE 8

HYDRAULICS

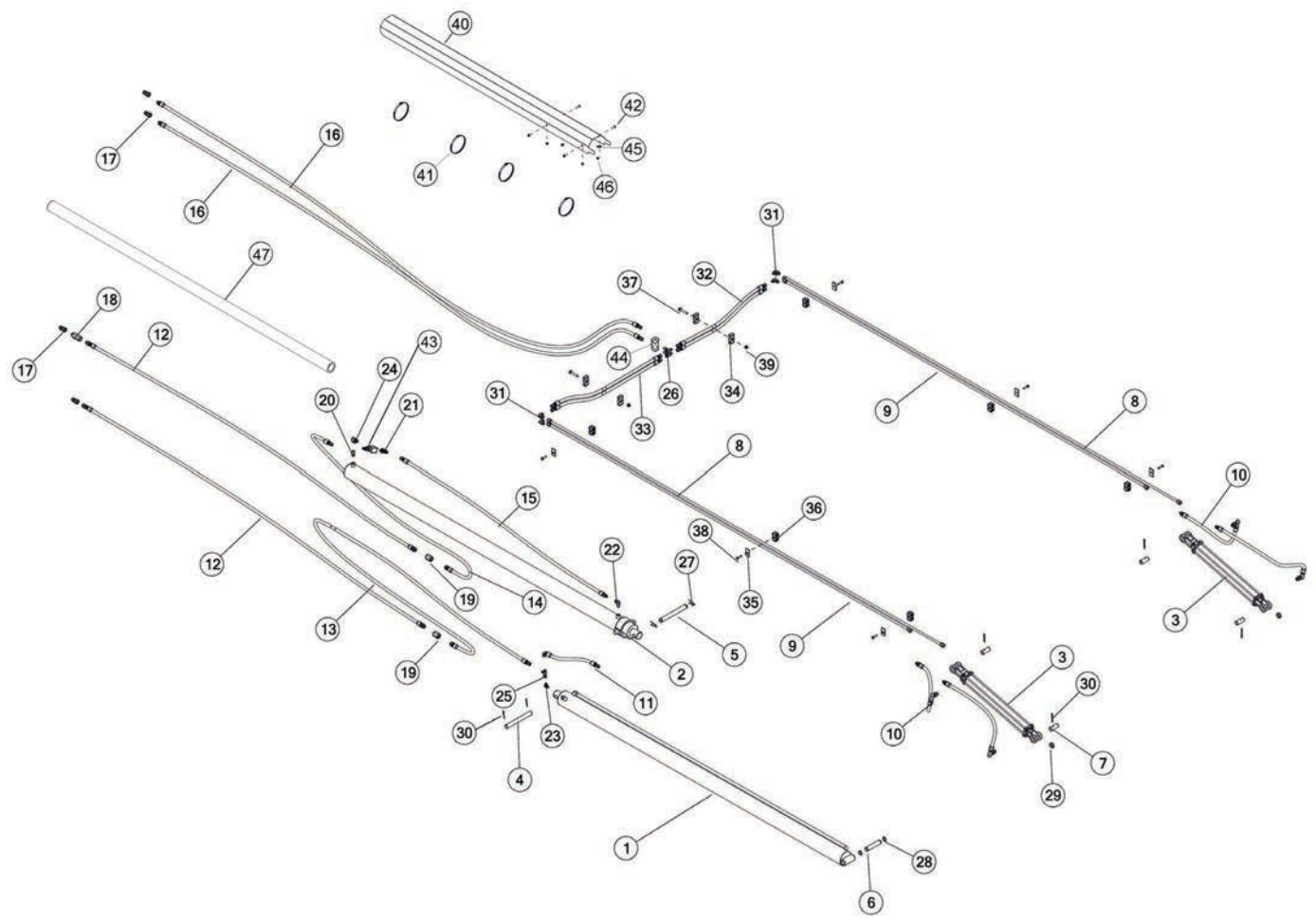




FIGURE 8

HYDRAULICS

REF #	PART #	DESCRIPTION	QTY
1	42N70	HYDRAULIC CYLINDER, TRUNNION 3-1/2 X 90	1
2	42N69	HYDRAULIC CYLINDER, GIMBAL 3-1/2 X 90	1
3	90970	HYDRAULIC CYLINDER, 2 X 20	2
4	42N71	CYLINDER PIN	1
5	42N72	PUSHER CYLINDER PIN	1
6	42N80	REAR CYLINDER PIN	1
7	56N141	SHAFT, RND, 1.00 X 2.50, PIN, CYLINDER	4
8	90968	HYDRAULIC TUBE, 1/2 X 144	2
9	90969	HYDRAULIC TUBE, 1/2 X 132	2
10	90972	HYDRAULIC HOSE, 6, 36	4
11	89579	HYDRAULIC HOSE, 6, 20	1
12	89588	HYDRAULIC HOSE, 6, 126	2
13	89594	HYDRAULIC HOSE, 6, 164	1
14	89586	HYDRAULIC HOSE, 6, 88	1
15	89581	HYDRAULIC HOSE, 6, 77	1
16	89629	HYDRAULIC HOSE, 6, 182	2
17	67148	FTG, ST, 8ORB, QUICK COUPLER TIP	4
18	89576	HYDRAULIC VALVE, CHECK	1
19	90154	FITTING STRAIGHT, 10ORB, 10ORB	2
20	16SV351	FITTING STRAIGHT, 6NPT X 6NPT	1
21	89574	FITTING T, 6 JIC, 6 JIC, 8 ORB	1
22	CHM164	FITTING, 90, 6JIC X 3/8NPT	1
23	58151	FITTING 45, 3/8JIC, 3/8-18NPTF	1
24	55923	8 ORB TO 3/8 NPTF, 90 DEG	1
25	CHM242	FITTING, TEE, 6JIC X 6JIC X 6JIC	1
26	8005	FITTING TEE, 8JIC X 8JIC X 8JIC, BULKHEAD	2
27	YPHR02020	HAIR PIN, #23-10	2
28	3G21	SNAP RING, 1 HEAVY DUTY	2
29	K132	SPACER, 3/8 LONG	2
30	YPCT05025	COTTER PIN, 5/32 X 2	4
31	58187	FITTING, 8-6 ETX-S	4
32	89635	HYDRAULIC HOSE, 6, 32	2
33	89632	HYDRAULIC HOSE, 6, 45	2
34	86567	DOUBLE CLAMP, UNIVERSAL	4
35	56563	CLAMP TOP PLATE	6
36	TS118	LINE CLAMP BLOCK (PART OF T2008S)	6
37	YBFB12250	BOLT FLANGE, 3/8 X 2-1/2 G5	2
38	56568	CLAMP BOLT, 5/16-18 x 1-3/8	6
39	YNFG12006	NUT FLANGE, 3/8 GF	2





FIGURE 8 HYDRAULICS

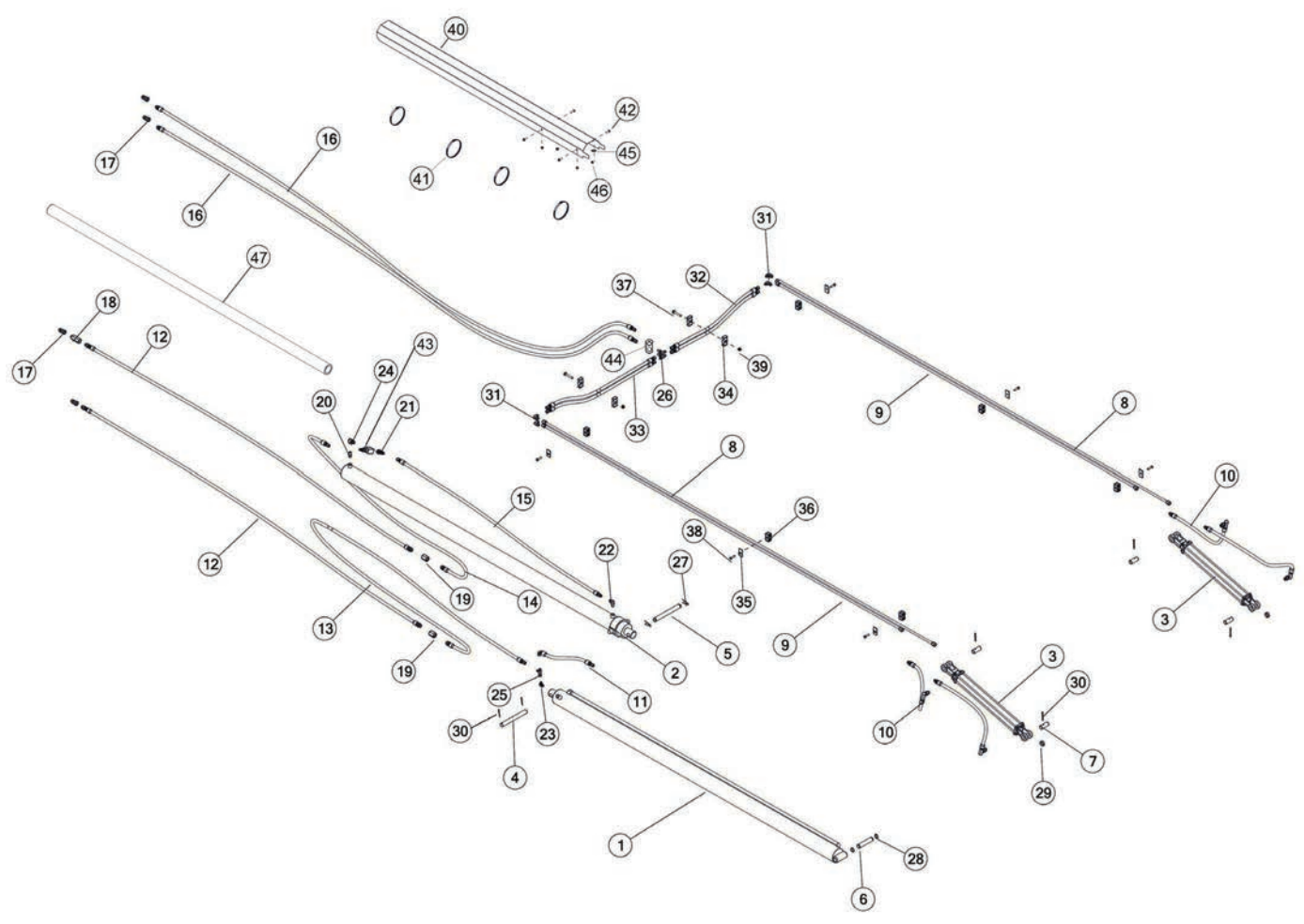
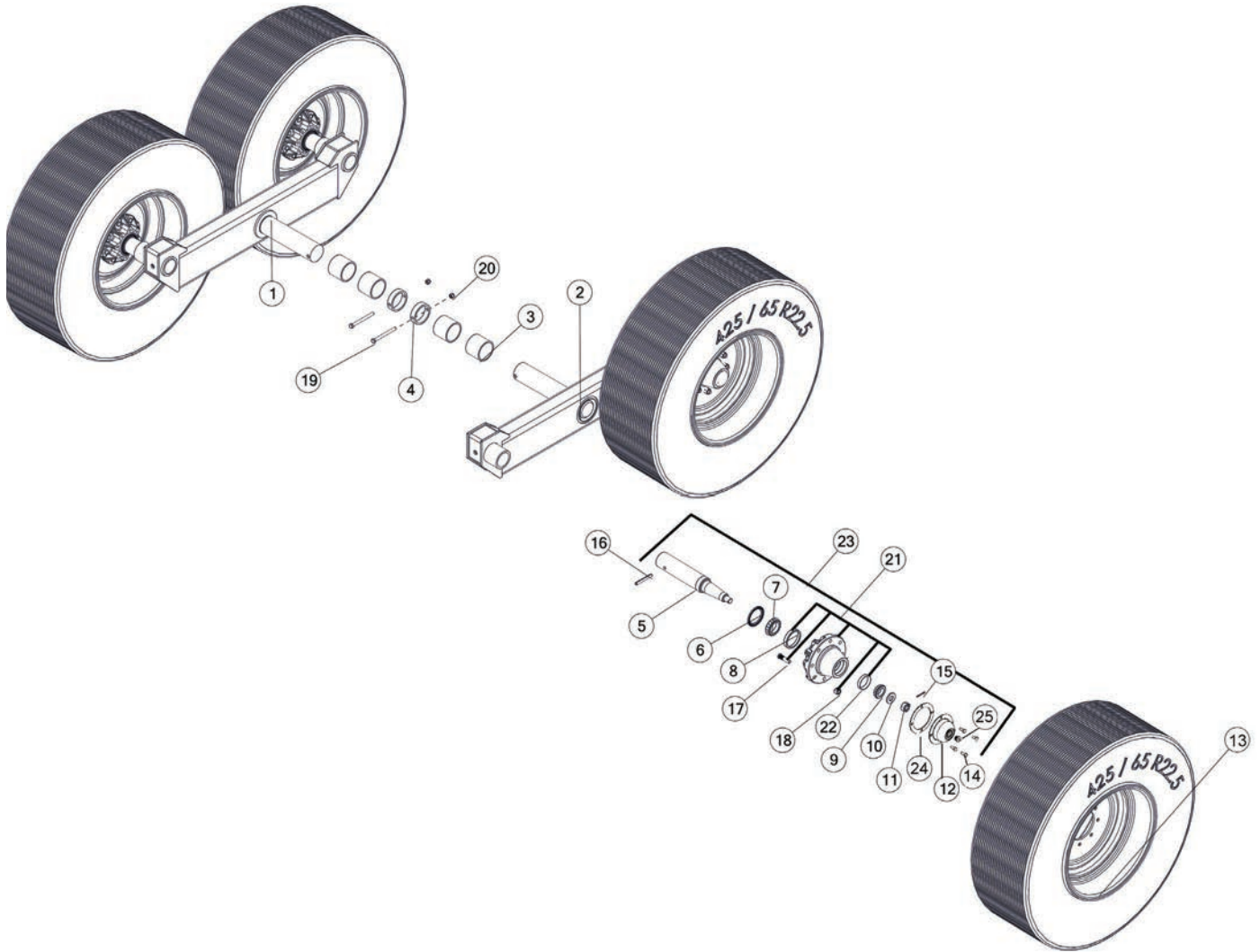




FIGURE 9 TANDEM AXLE AND WHEEL COMPONENTS



REF #	PART #	DESCRIPTION	QTY
1	42N7	TANDEM AXLE RH	1
2	42N6	TANDEM AXLE LH	1
3	45N36	POLY BUSHING	4
4	45N35	AXLE KEEPER	2
5	93106	SPINDLE	4
6	93107	GREASE SEAL	4
7	54597	BEARING CONE	4
8	54593	INNER RACE	4
9	17G150	TAPERED ROLLER BEARING, 1.625 BORE	4
10	33SV95	SPINDLE WASHER	4
11	YNSL32005	NUT SLOT, 1-14 NA G2 NF	4
12	93110	HUB CAP	4
13	TWP425S	(4) 425 X 22.5 USED TRUCK TIRES W/SILVR 8B RIMS	1
*	90192	ASSEMBLY, TIRE AND WHEEL	4
*	90185	WHEEL, 22.5 X 13.5 8 BOLT SILVER	4
*	16SV88	TIRE, 425 X 22.5	4
*	72438	VALVE STEM, 1-1/2	4
13	TWP19LS	(4) 19L X 16.1 10 PLY TIRES W/ SILVER 8 BOLT RIMS	1
*	90193	ASSEMBLY, TIRE AND WHEEL	4
*	90186	WHEEL, W16C-16.1 8 BOLT SILVER	4
*	UR8	19L X 16.1 TIRE	4
*	72437	VALVE STEM, 1.25IN HD	4
13	TWP5508S	(4) 550/45 X 22.5 TIRES W/ SILVER 8 BOLT RIMS	1
*	90197	ASSEMBLY, TIRE AND WHEEL, RH	2
*	90187	WHEEL, 22.5 X 16.00 8 BOLT SILVER	2
*	33381	TIRE, 550/45 - 22.5 16PLY FLOATATION	2
*	72437	VALVE STEM, 1.25IN HD	2
*	90198	ASSEMBLY, TIRE AND WHEEL, LH	2
14	YBHH08063	BOLT HEX, 1/4 X 5/8 G5	4
15	YPCT07175	COTTER PIN, 7/32 X 1-3/4	4
16	YPEX16020	EXPANSION PIN, 1/2 X 4	4
17	YBSD20010	BOLT STUD, 5/8 X 2-1/2 G8	32
18	YNWL20005	NUT WHEEL, 5/8-18 NA G5 ZC	32
19	YBHH16160	BOLT HEX, 1/2-13 X 5-1/2 G5	2
20	YNNY16005	NUT HEX, 1/2-13 LKNY G2 ZC	2
21	93103	HUB	4
22	17G149	RACE	4
23	93112	HUB AND SPINDLE ASSEMBLY	4
24	93109	GASKET	1
25	93111	OIL PLUG	1





FIGURE 10 ENDGATE & COMPONENTS

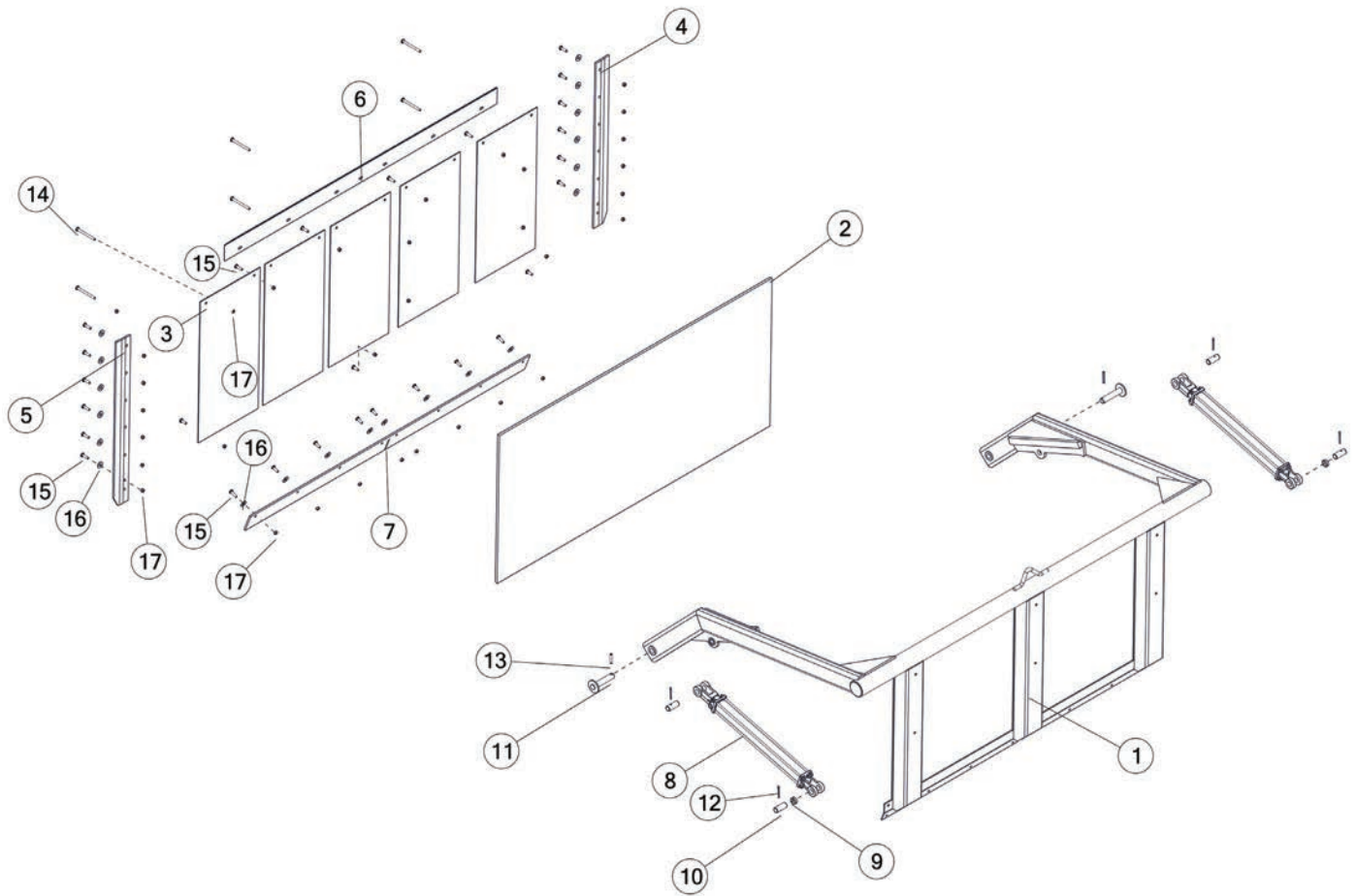




FIGURE 11

BEATER PANELS & COMPONENTS

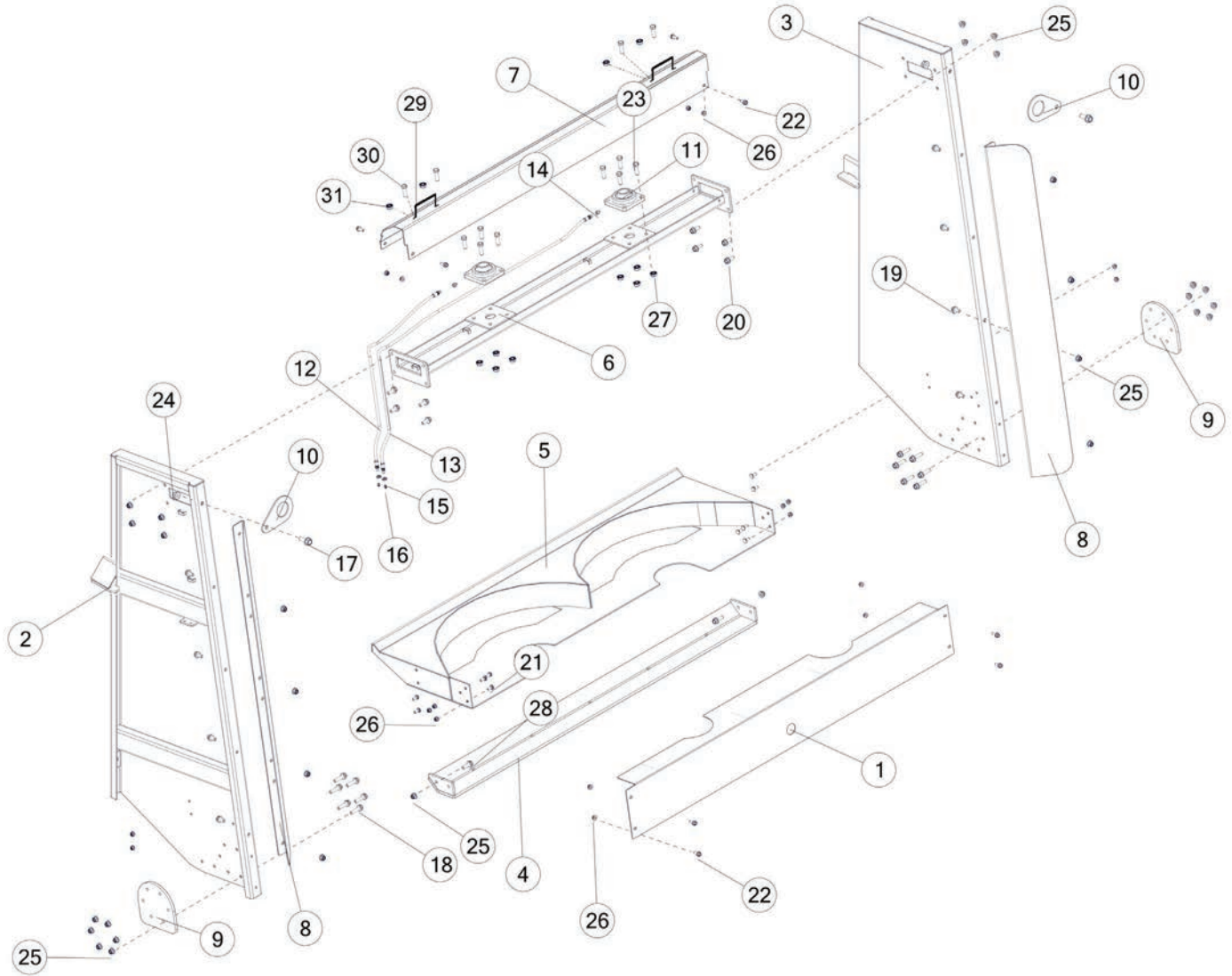




FIGURE 11

BEATER PANELS & COMPONENTS

REF #	PART #	DESCRIPTION	QTY
1	87691	GEARBOX COVER	1
2	88837B	BEATER PANEL W/DECALS LH	1
3	88839B	BEATER PANEL W/DECALS RH	1
4	90870	BEATER SKID PLATE	1
5	87622	BEATER PAN	1
6	87578B	UPPER BEARING MOUNT W/DECALS	1
7	87579B	BEARING SHIELD W/DECALS	1
8	85230	BEATER DEFLECTOR	2
9	87568	BEATER SUPPORT LEG	2
10	HGV50	LIFTING EYE	2
11	12V99	BRG, 5.13 X 1.50 X 2.02, FLANGE	2
12	89739	GREASE HOSE, 3, 45	1
13	89741	GREASE HOSE, 3, 80	1
14	TS323	FITTING STRAIGHT, 1/4-28, 1/8-27NPT	2
15	YNJM04005	NUT, JAM, 1/8 A	2
16	G89	STRAIGHT ZERK, 1/4-28	2
17	YBFB20175	BOLT FLANGE, 5/8 X 1-3/4 G5	2
18	YBHH16065	BOLT HEX, 1/2-13 X 2 G5 ZC	12
19	YBFB16100	BOLT FLANGE, 1/2 X 1 G5	8
20	YBFB16125	BOLT FLANGE, 1/2 X 1-1/4 G5	8
21	YBCR12010	BOLT CARRIAGE, 3/8-16 X 1 G5 ZC	6
22	YBFB12003	BOLT FLANGE, 3/8 X 1 G5	8
23	YBHH18010	BOLT HEX, 9/16 X 1-3/4 G5 ZINC	8
24	YNFG20005	NUT FLANGE, 5/8-11 LKTL F ZC	2
25	YNFG16003	NUT FLANGE, 1/2 GF	22
26	YNFG12006	NUT FLANGE, 3/8 GF	8
27	YNSF18005	NUT FLANGE, 9/16-12 LKSF CH ZC	8
28	YBFB16150	BOLT FLANGE, 1/2 X 1-1/2 G5	2
29	TS96	SHIELD HANDLE	2
30	YBHH08100	BOLT HEX, 1/4 X 3/4 G5	4
31	YNFG08010	NUT FLANGE, 1/4 GF	4





FIGURE 12 BEATERS & COMPONENTS

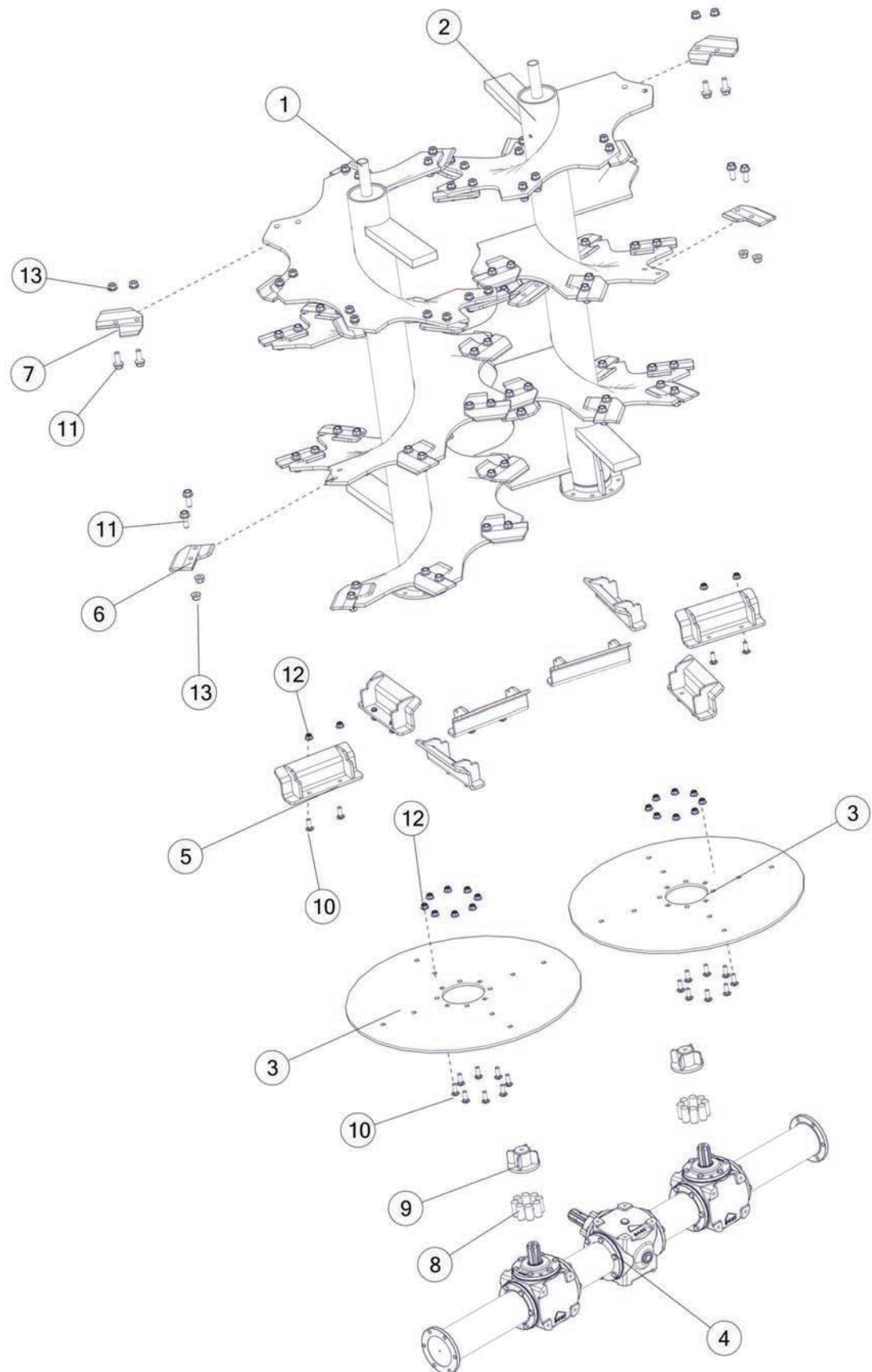




FIGURE 13

LIGHTS

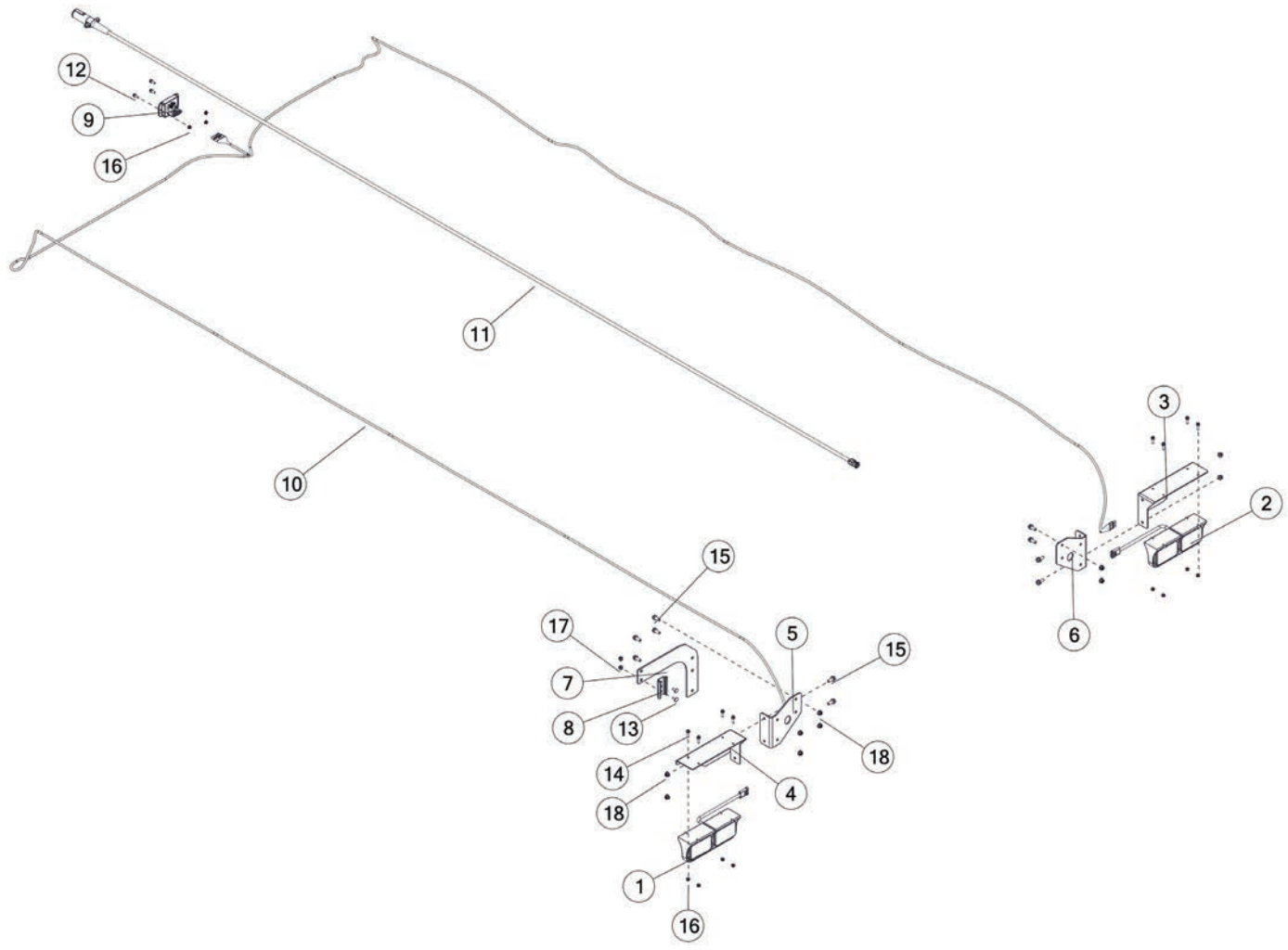




FIGURE 14
BEATER GEARBOX ASSEMBLY

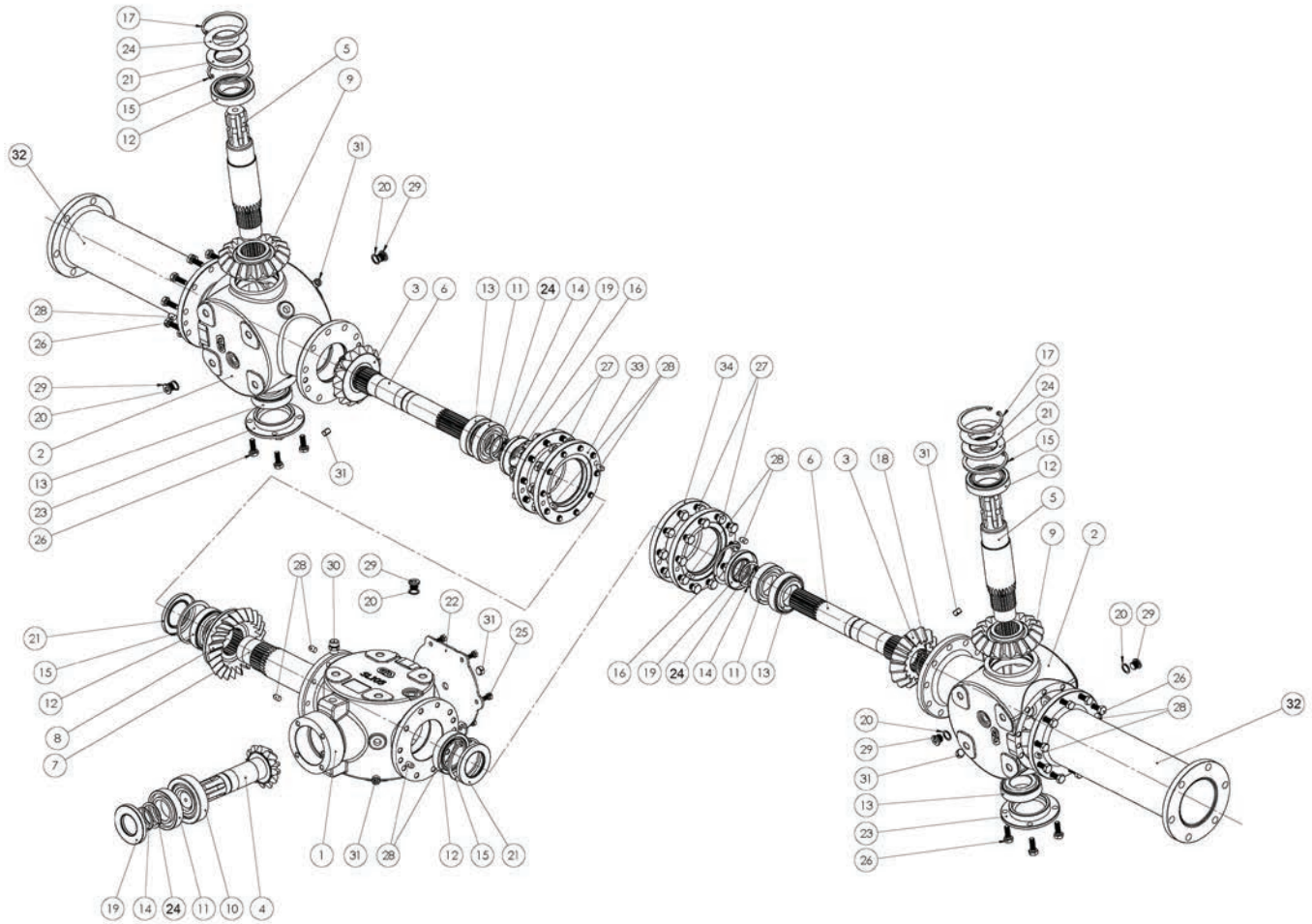




FIGURE 14

BEATER GEARBOXASSEMBLY

REF #	PART #	DESCRIPTION	QTY
1	92998	CENTER HOUSING	1
2	92999	OUTER HOUSING	2
3	93086	GEAR	2
4	93011	INPUT SHAFT	1
5	93012	OUTPUT SHAFT	2
6	93090	SHAFT	2
7	93080	CENTRAL SHAFT	1
8	93079	CROWN GEAR	1
9	93085	CROWN GEAR	2
10	93969	BEARING	1
11	93009	BEARING	3
12	93082	BEARING	4
13	93081	BEARING	4
14	93013	SNAP RING	3
15	93083	SNAP RING	4
16	93087	SNAP RING	2
17	93005	SNAP RING	2
18	93091	SNAP RING	2
19	93015	SEAL	3
20	93017	SEAL	6
21	93006	COVER	4
22	93010	COVER PLATE	1
23	93008	BASE PLATE	2
24	93007	SHIM KIT	3
25	YBHH74016	BOLT HEX, M8-1.25 X 16 8.8 ZC	6
26	YBHH76030	BOLT HEX, M10-1.5 X 30 8.8 ZC	28
27	YBHH78015	BOLT HEX, M12-1.75 X 30 8.8 ZC	40
28	93016	PIN	12
29	93003	OIL PLUG	6
30	93002	BREATHER	1
31	93004	OIL PLUG	8
32	93000	OUTER SUPPORT	2
33	93001	CENTER SUPPORT, RH	1
34	93976	CENTER SUPPORT, LH	1





FIGURE 15

OPTIONAL FLOW CONTROL (HPOVSC)

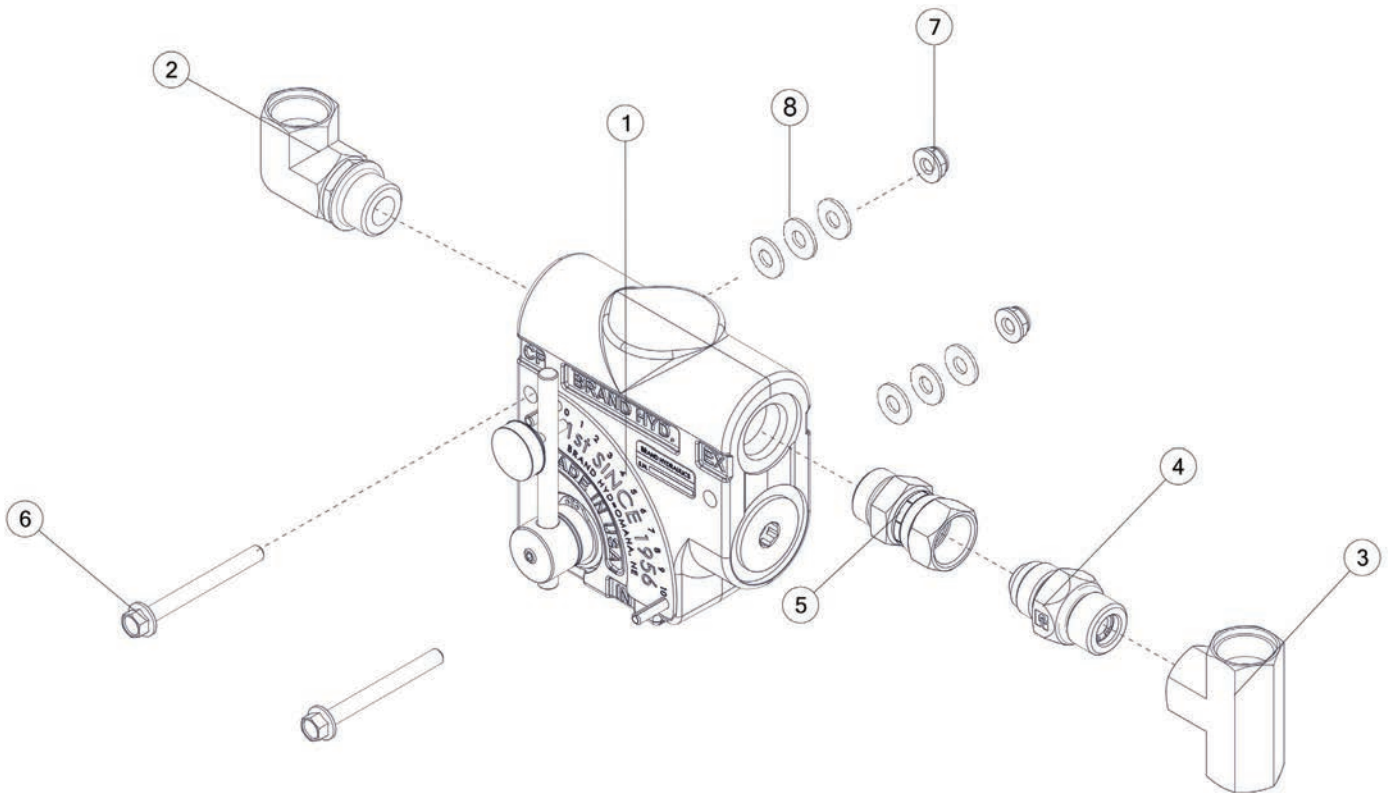




FIGURE 16

OPTIONAL VARIABLE SPEED CONTROL (HPOVSEC)

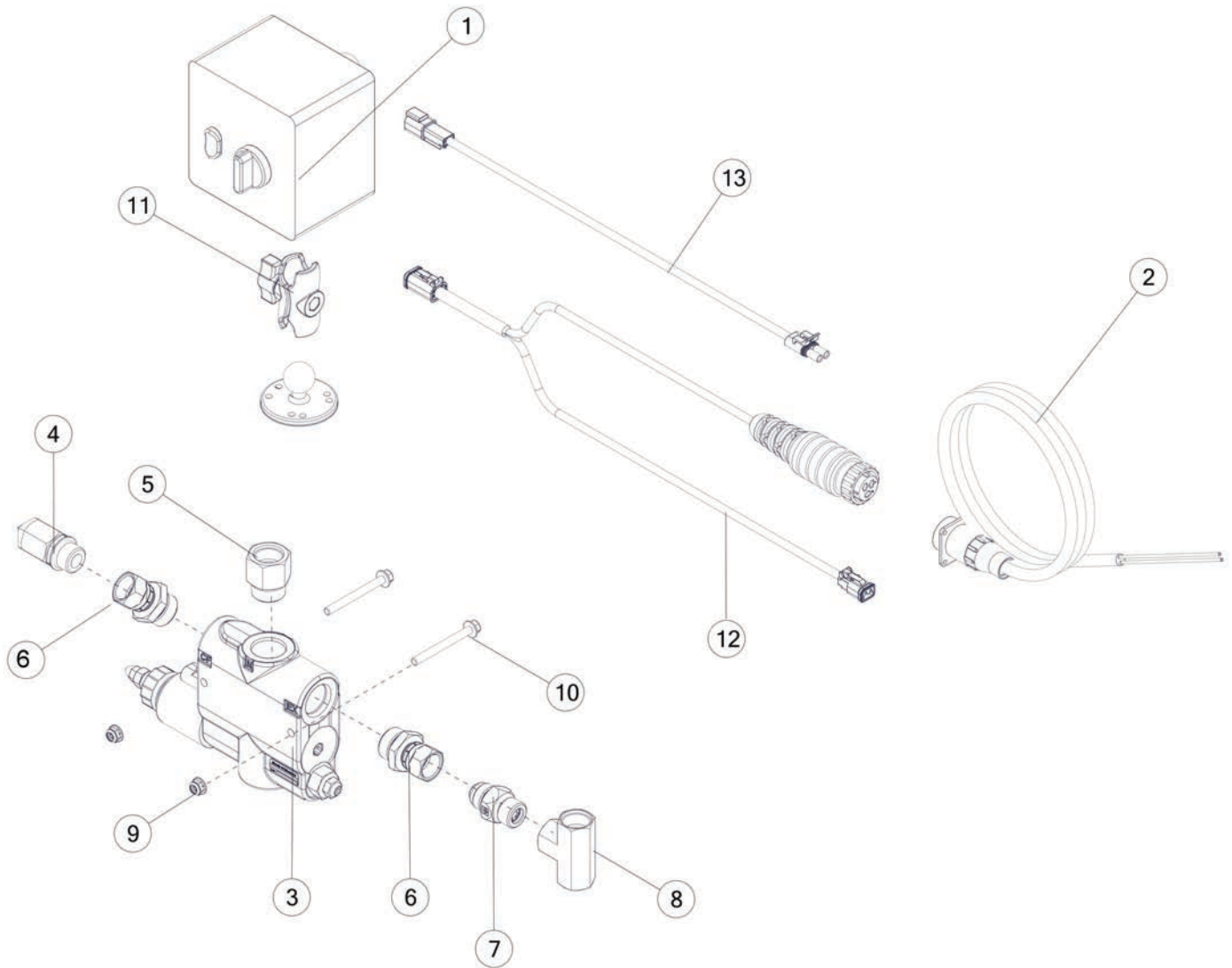




FIGURE 17
OPTIONAL SCREEN EXTENSION
(HPOFASE)

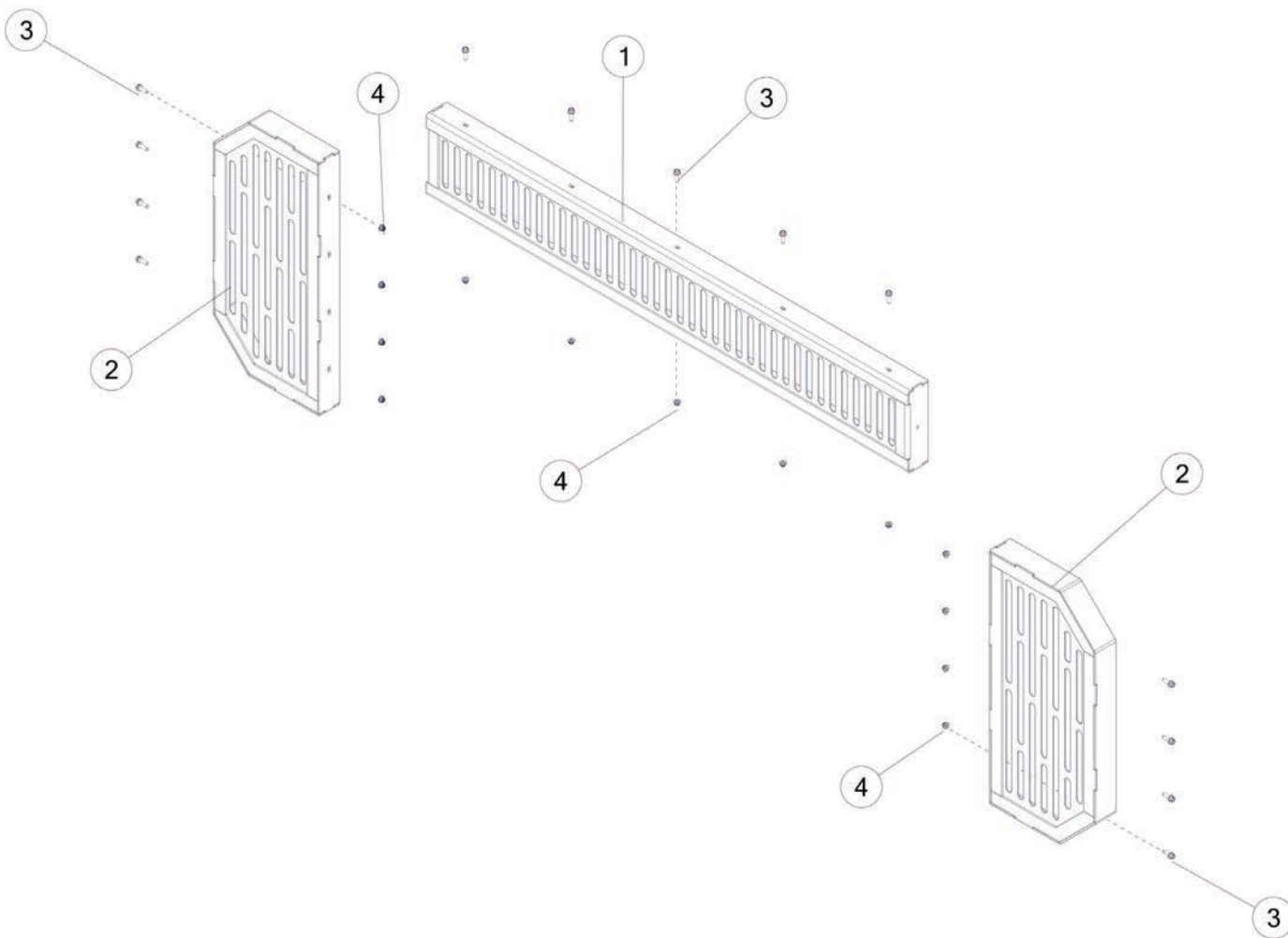




FIGURE 18
HPO1034CV PTO

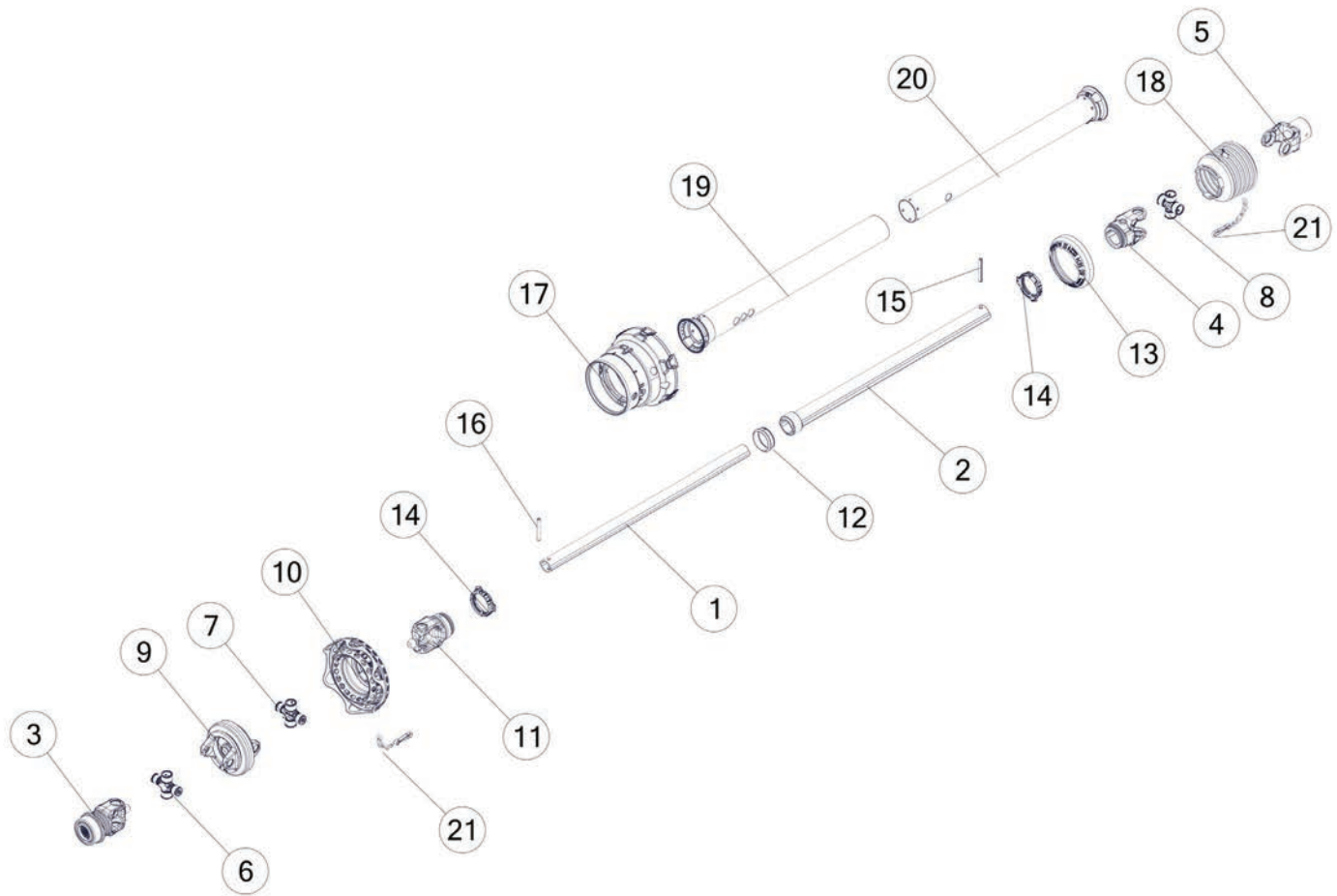




FIGURE 19
HPO1038CV PTO

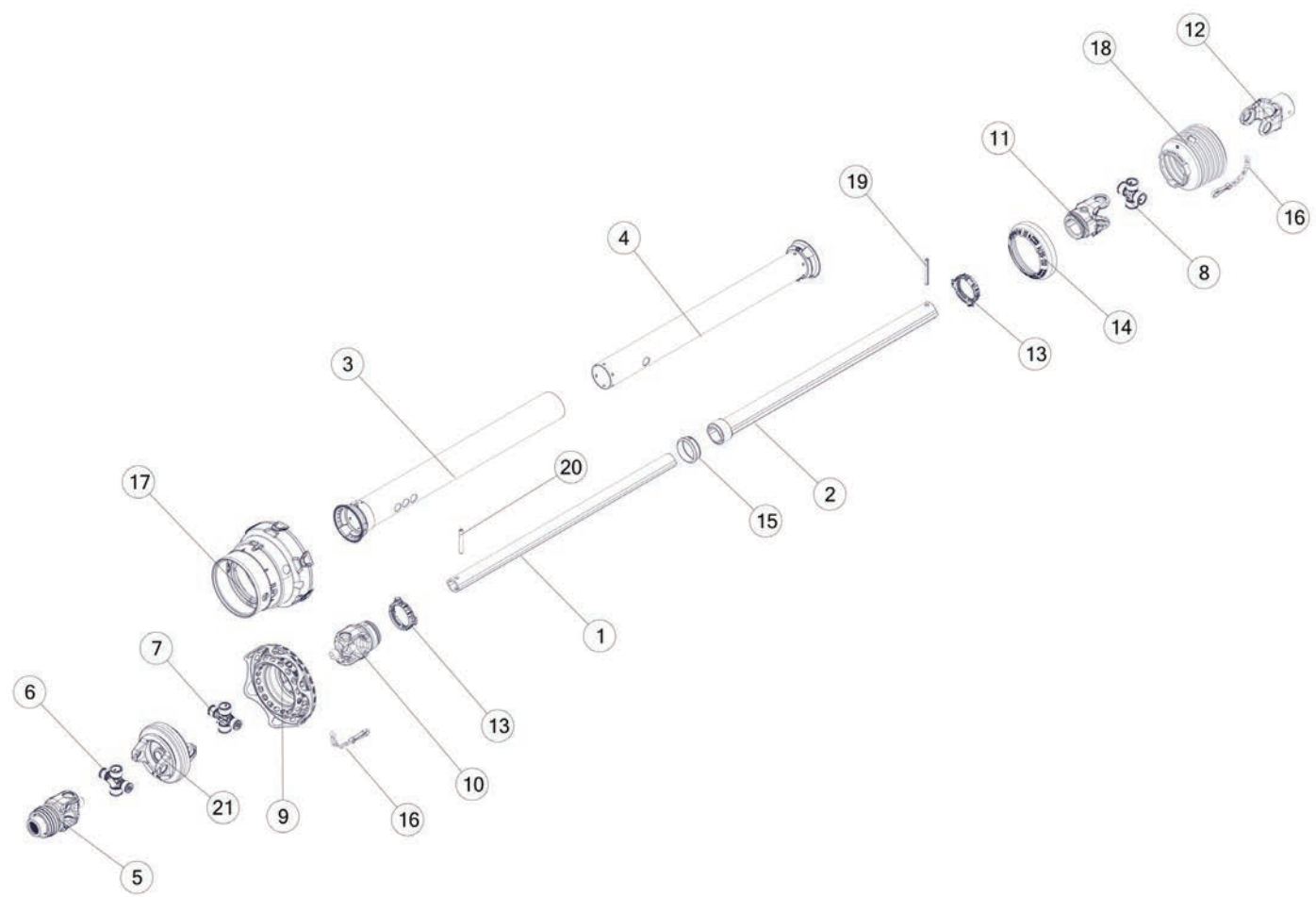
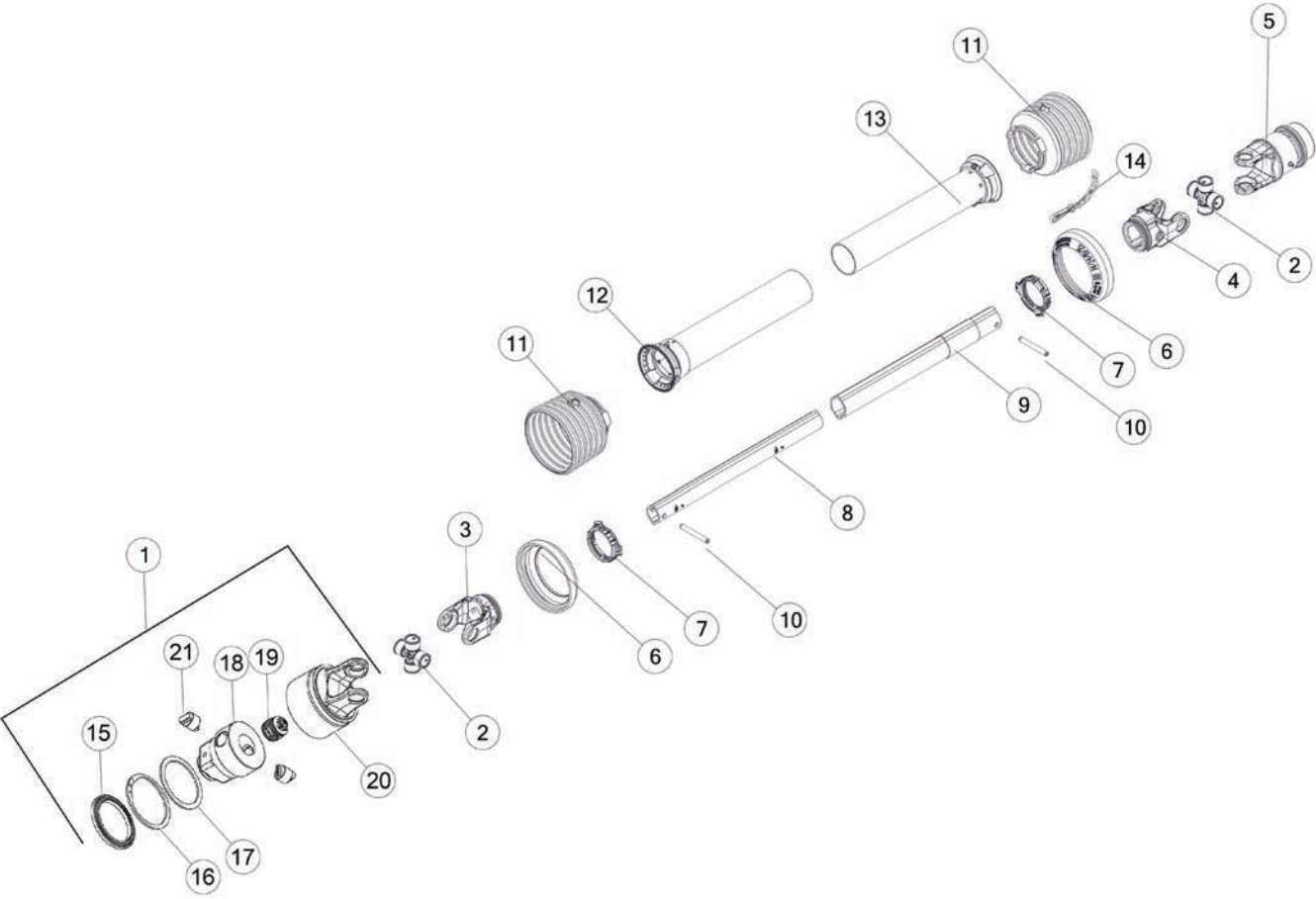




FIGURE 20

1000 RPM PTO





H&S MFG. CO.
products approved
for the
FEMA
SEAL OF QUALITY



Manufactured by:
H&S MANUFACTURING CO., INC.
2608 S. HUME AVE. MARSHFIELD, WI 54449
(715) 387-3414 | hsmfgco.com

