



PARTS BOOK

HPV4242

MANURE SPREADER

Part #91691

Rev. #06

HSMFG092123

Starting Ser. #422VP42001



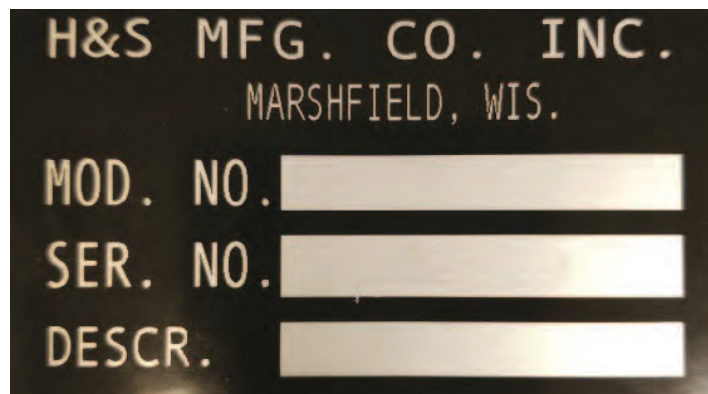
INSTRUCTIONS FOR ORDERING PARTS

All service parts should be ordered through your authorized H&S dealer. Your Dealership will be able to give you faster service if you will provide them with the following:

1. All references to left or right apply to the machine as viewed from the rear.
2. Parts should not be ordered from illustration only. Please order complete part number.
3. If your dealer has to order parts - give shipping instructions:

VIA truck - large pieces (please specify local truck lines)

VIA United Parcel Service (include full address)



MODEL & SERIAL NUMBER LOCATED ON
FRONT, LEFT SIDE OF PTO BEARING SUPPORT MOUNT

PLEASE RECORD NUMBERS FOR YOUR UNIT FOR QUICK REFERENCE

H&S IS CONTINUALLY STRIVING TO IMPROVE ITS PRODUCTS

We must, therefore, reserve the right to make improvements or changes whenever it becomes practical to do so, without incurring any obligation to make changes or additions to the equipment previously sold.





FIGURE 1
HITCH & COMPONENTS

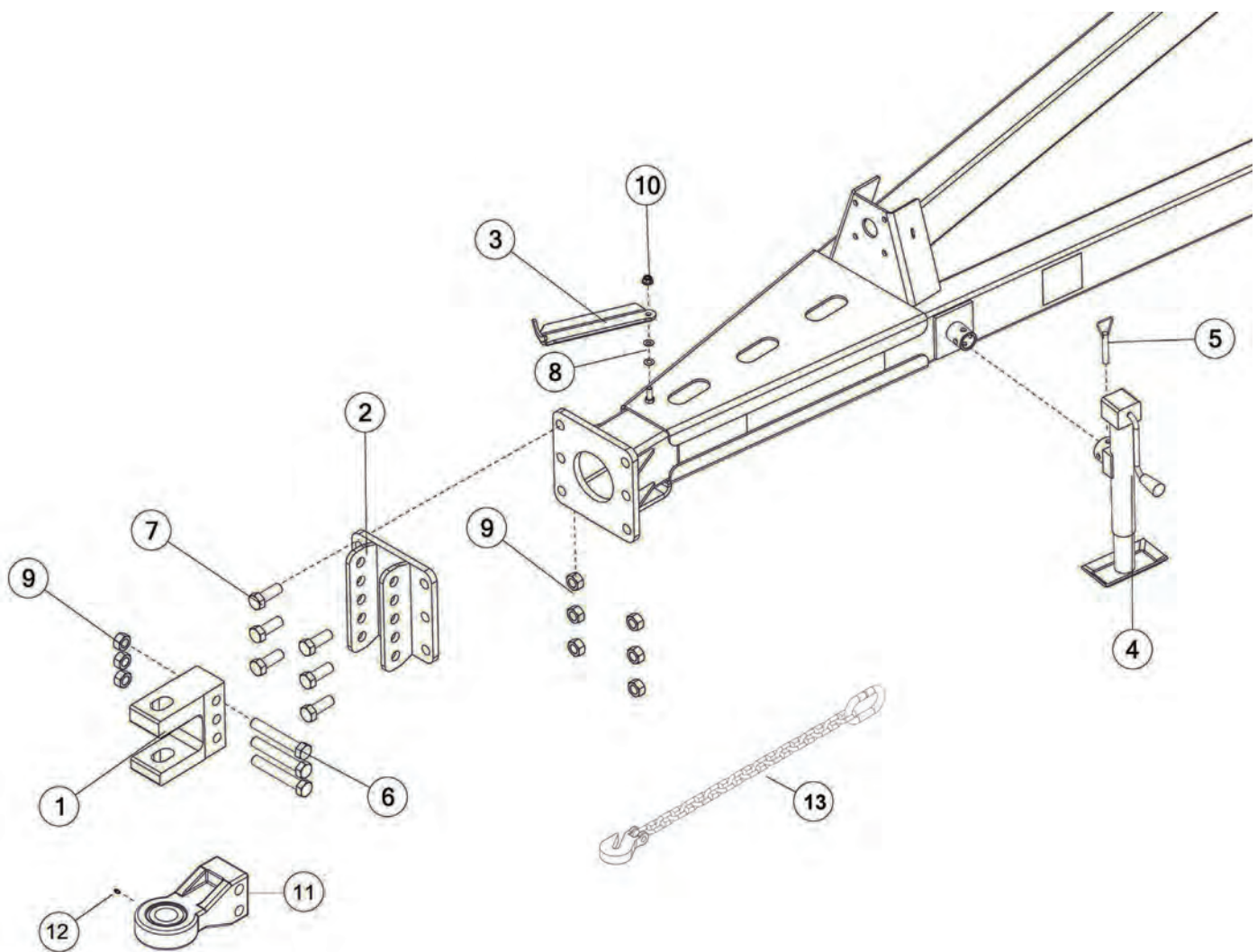




FIGURE 1

HITCH & COMPONENTS

REF #	PART #	DESCRIPTION	QTY
1	56310	HEAVY CLEVIS OPTION	1
2	89538	HITCH MOUNT	1
3	42N2	PTO HOLDER	1
4	TS306	SIDE WIND JACK, 7000#	1
5	12N117	PIN, 0.56, 5.19, JACK	1
6	YBHH32028	BOLT HEX, 1-8 X 6-1/2 G8 ZY	3
7	YBHH32006	BOLT HEX, 1-8 X 2-3/4 G5	6
8	42N3	SPRING	2
9	YNL32005	NUT HEX, 1-8 LKTL C ZC	9
10	YNFG16003	NUT FLANGE, 1/2 GF	1
11	58290	ARTICULATING HITCH OPTION	1
12	G89	STRAIGHT ZERK, 1/4	1
13	SC40500	SAFETY CHAIN, 40,000 LB RATING, OPTIONAL	1





FIGURE 2 FLOOR & SIDE COMPONENTS

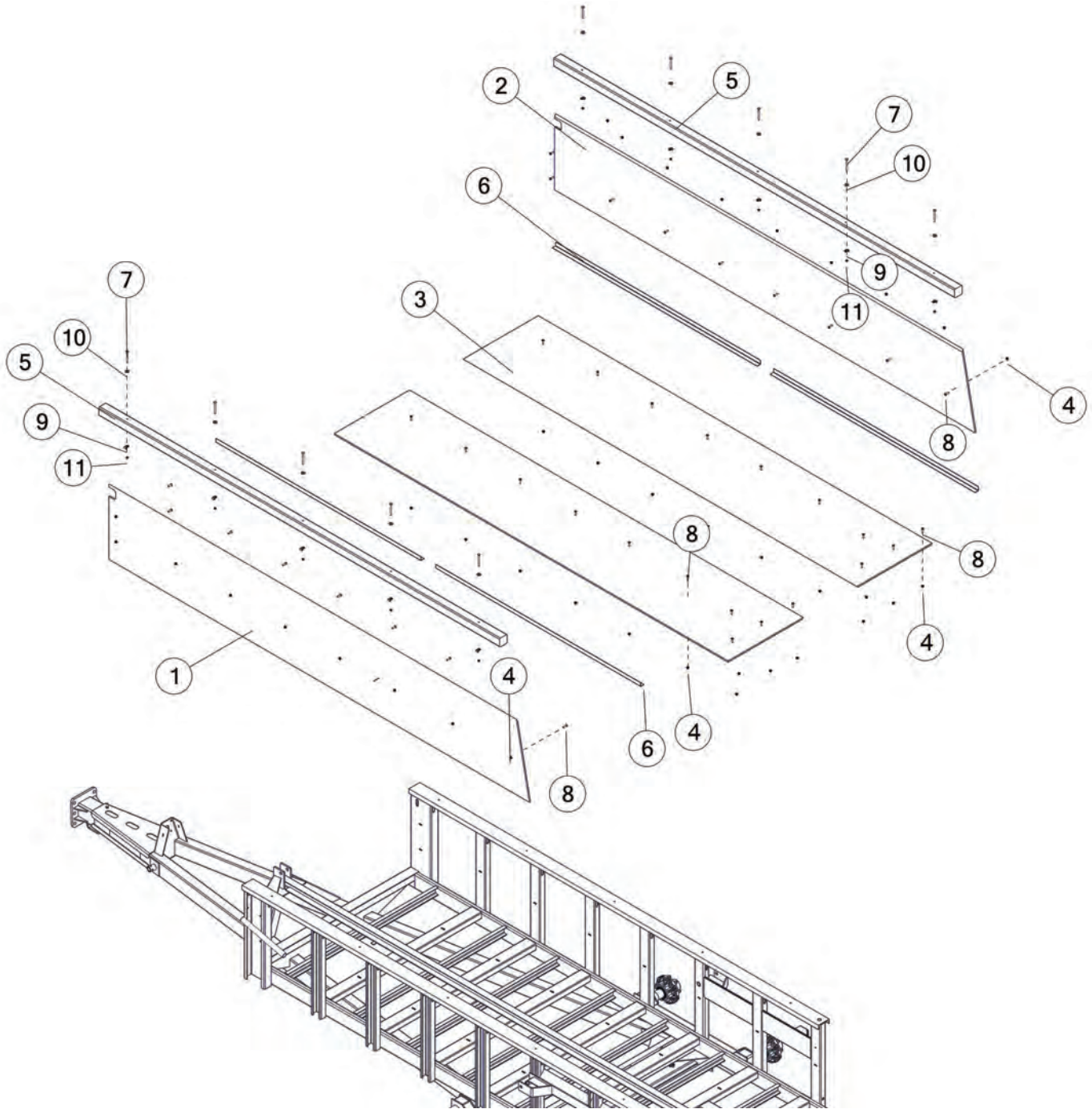




FIGURE 2

FLOOR & SIDE COMPONENTS

REF #	PART #	DESCRIPTION	QTY
1	42N9B	SIDE POLY W/DECALS LH	1
2	42N8B	SIDE POLY W/DECALS RH	1
3	42N10	FLOOR POLY	2
4	YNFG12006	NUT FLANGE, 3/8 GF	38
5	90592	POLY TOP RAIL	2
6	89814	POLY SIDE ANGLE	4
7	YBCR12105	BOLT CARRIAGE, FT, 3/8-16 X 4-1/2 G5 ZC	10
8	YSFS12016	BOLT FLAT SOK, 3/8-16X1-1/2 ZC	38
9	HGV72	WIRE CLAMP, 3/4	10
10	YWFL16005	WASHER FLAT, 1/2	10
11	YNHX12005	NUT HEX, 3/8-16 NAA ZC	10





FIGURE 3 PTO SHIELD & COMPONENTS

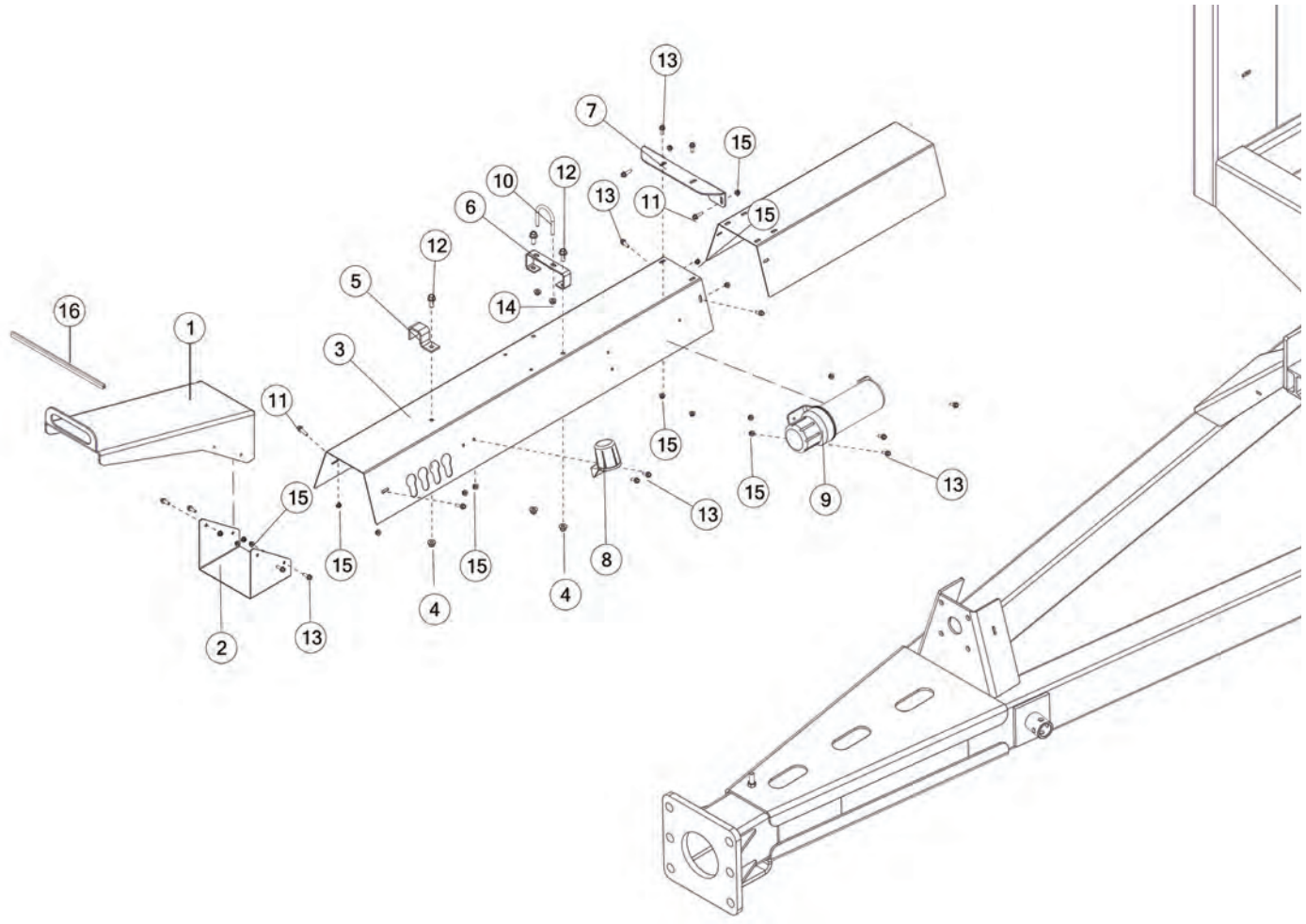




FIGURE 3 PTO SHIELD & COMPONENTS

REF #	PART #	DESCRIPTION	QTY
1	90164B	PTO SHIELD W/DECALS	1
2	90168	LOWER PTO SHIELD	1
3	88914B	INPUT SHIELD W/DECALS	1
4	YNFG12006	NUT FLANGE, 3/8 GF	3
5	HE14	SMALL PIPE BRACKET	1
6	89639	HOSE HOLDER	1
7	88927	INPUT SHIELD ANGLE	1
8	CHM38	PLUG STORAGE	1
9	S522	MANUAL HOLDER	1
10	YBPU10007	PIPE U BOLT, 5/16 X 1-1/2	1
11	YBFB08100	BOLT FLANGE, 1/4 X 1 G5	4
12	YBFB12003	BOLT FLANGE, 3/8 X 1 G5	3
13	YBFB08075	BOLT FLANGE, 1/4 X 3/4 G5	13
14	YNFG10005	NUT FLANGE, 5/16 GF	2
15	YNFG08010	NUT FLANGE, 1/4 GF	17
16	96213	EDGE TRIM, 1/4 - 14	1





FIGURE 4 PUSHER COMPONENTS

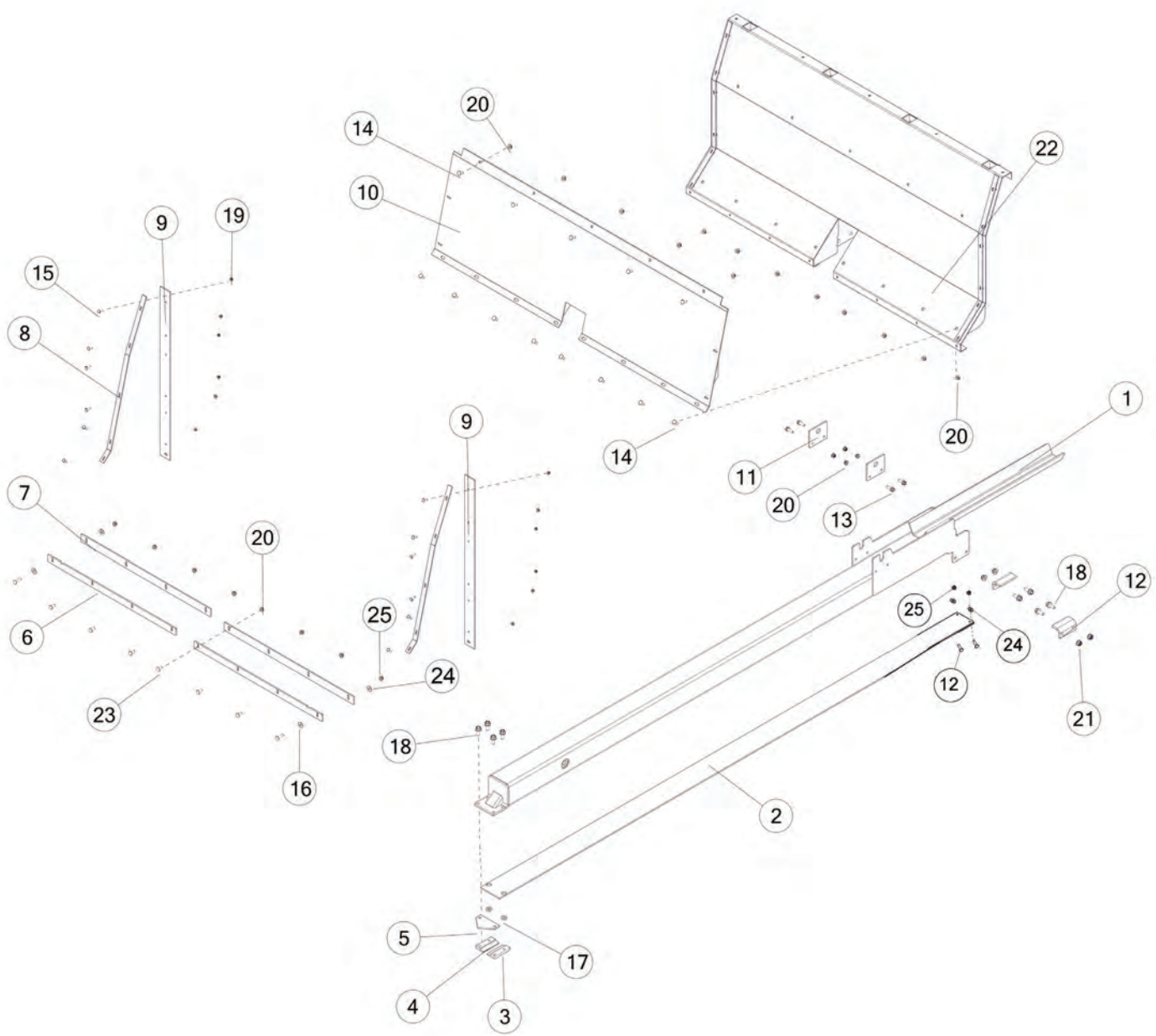




FIGURE 4 PUSHER COMPONENTS

REF #	PART #	DESCRIPTION	QTY
1	42N74	MOVEABLE FLOOR TUBE	1
2	42N149	PUSHER TUBING SLIDE	1
3	42N78	END CAP CLAMP RIGHT	1
4	42N79	END CAP CLAMP LEFT	1
5	42N151	SCRAPER	1
6	42N139	PUSHER BOTTOM RUBBER	2
7	42N81	PUSHER WIPER	2
8	HGV116	FLAT PUSHER SEAL STRAP	2
9	97383	PUSHER RUBBER	2
10	90090	FLAT PUSHER FACE	1
11	42N77	CYLINDER RETAINER	2
12	42N76	PUSHER TUBE FRONT GUIDE	2
13	YBHH12035	BOLT HEX, 3/8 X 1-1/4 G5	4
14	YBCR12010	BOLT CARRIAGE, 3/8-16 X 1 G5 ZC	13
15	YBCR08005	BOLT CARRIAGE, 1/4-20 X 1 G5 ZC	10
16	YWFL14005	WASHER FLAT, 7/16 USS ZINC	2
17	42N150	POLY SPACER	2
18	YBFB16150	BOLT FLANGE, 1/2 X 1-1/2 G5	8
19	YNFG08010	NUT FLANGE, 1/4 GF	10
20	YNFG12006	NUT FLANGE, 3/8 GF	19
21	YNFG16003	NUT FLANGE, 1/2 GF	4
22	90074	PUSHER FRAME	1
23	YBCR12020	BOLT CARRIAGE, 3/8 X 1-1/4 G5	6
24	YWLO12005	WASHER LOCK, 3/8	4
25	YNHX12005	NUT HEX, 3/8-16 NA A ZC	4





FIGURE 5 PUSHER EXTENSION & COMPONENTS

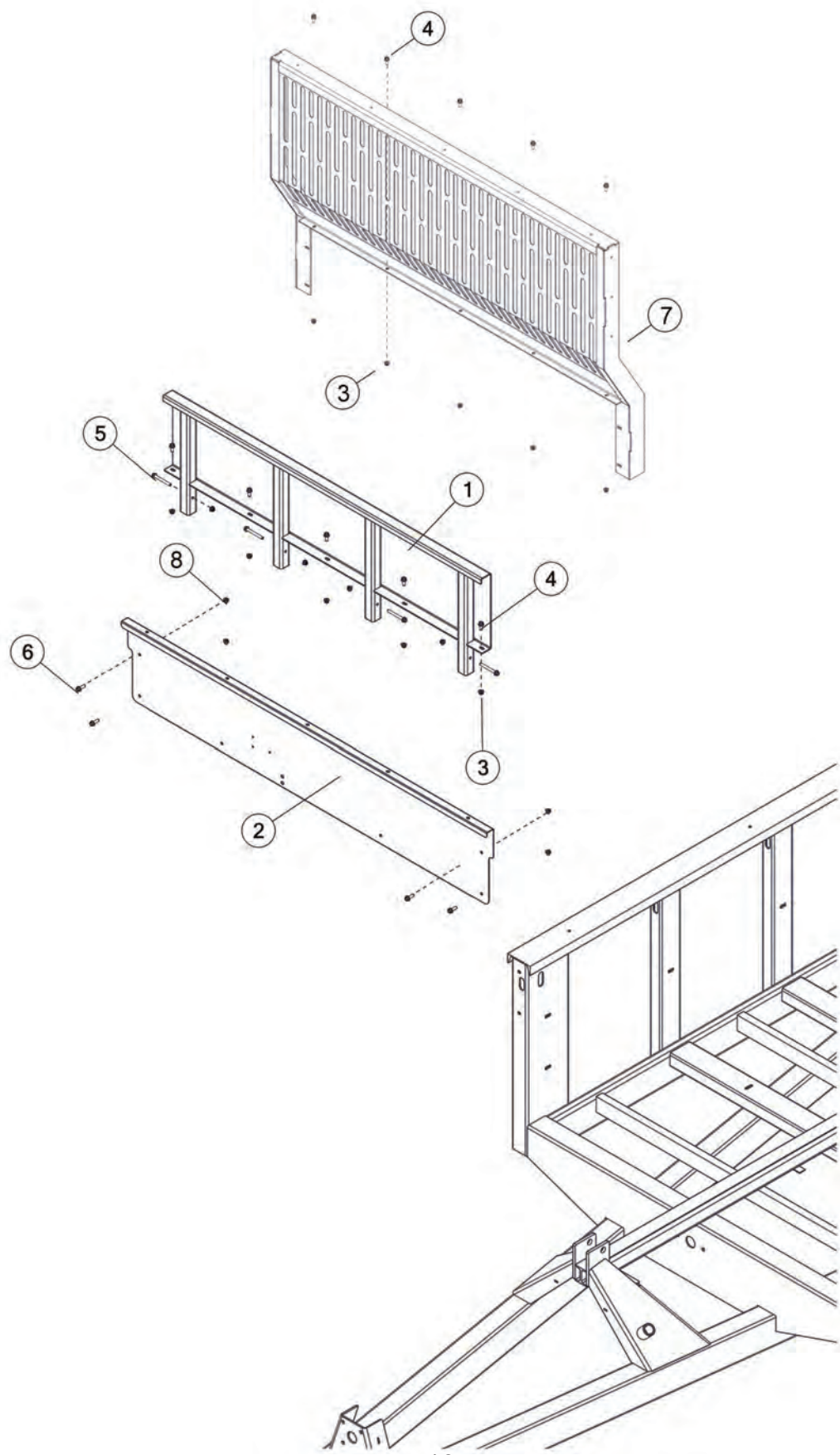




FIGURE 6 PUSHER SPACERS & COMPONENTS

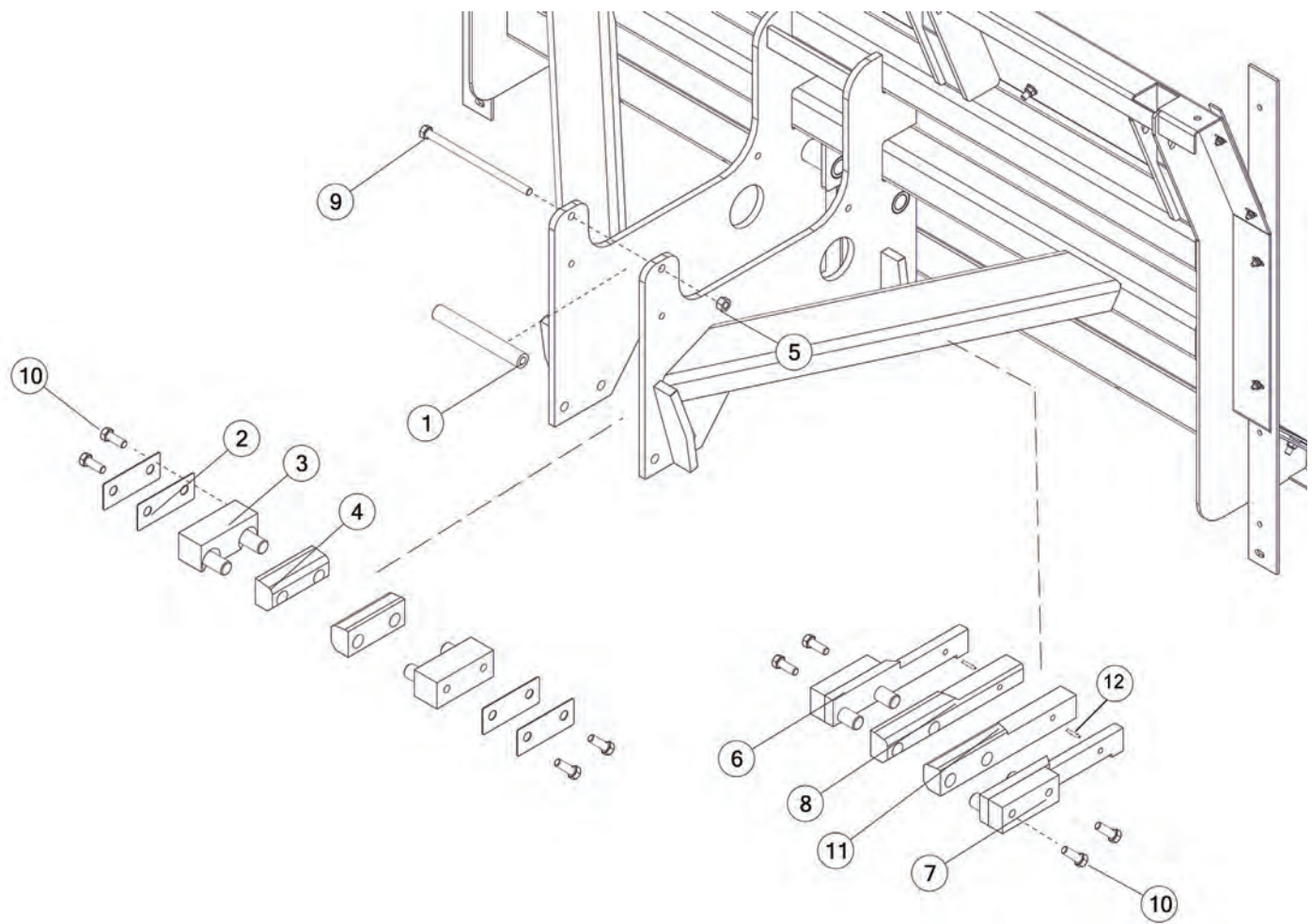




FIGURE 6 PUSHER SPACERS & COMPONENTS

REF #	PART #	DESCRIPTION	QTY
1	42N91	PUSHER SPACER	1
2	42N114	PUSHER SHIM	4
3	42N85	POLY BLOCK SPACER FRONT	2
4	42N86	PUSHER POLY SLIDE	2
5	YNRL16005	NUT HEX, 1/2-13 LKRS A ZC	1
6	42N87	POLY BLOCK SPACER, RH	1
7	42N90	POLY BLOCK SPACER, LH	1
8	42N88	PUSHER POLY SLIDE, RH	1
9	YBHH16185	BOLT HEX, 1/2 X 9 G5	1
10	YBHH20015	BOLT HEX, 5/8 X 1-1/4 G5	8
11	42N89	PUSHER POLY SLIDE, LH	1
12	YPEX12020	EXPANSION PIN, 3/8 X 2	2





FIGURE 7
GEARBOX DRIVE & COMPONENTS

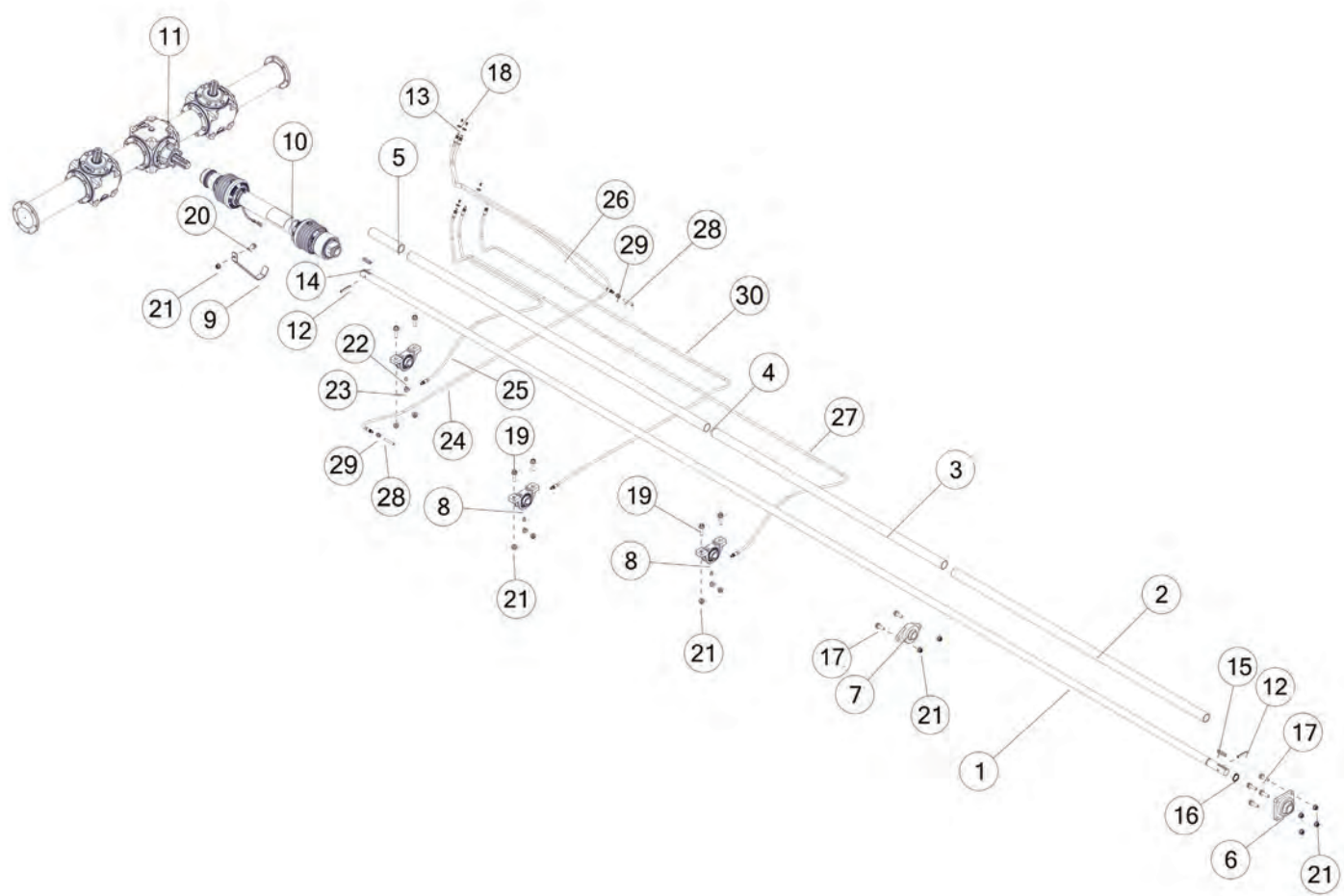




FIGURE 7

GEARBOX DRIVE & COMPONENTS

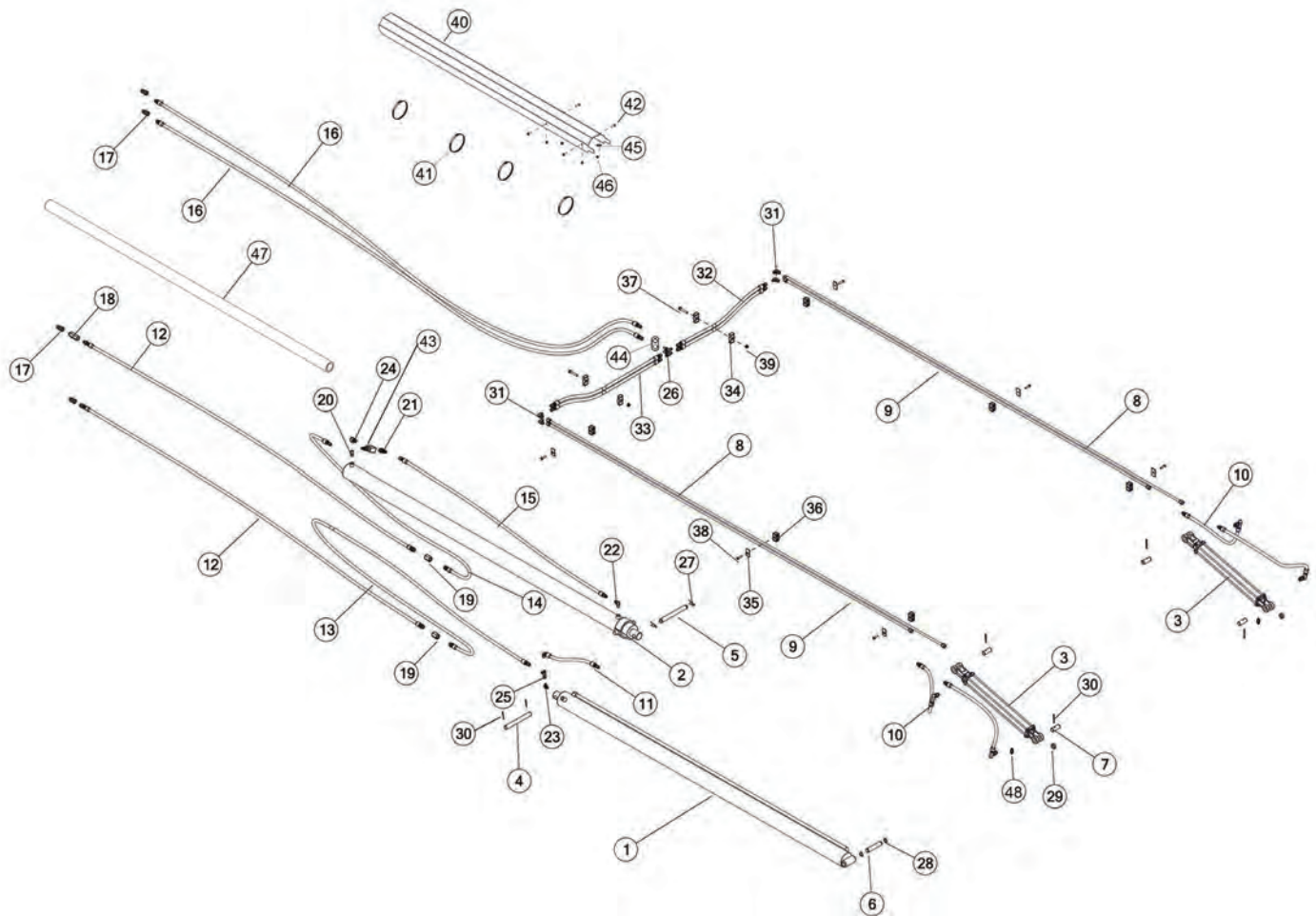
REF #	PART #	DESCRIPTION	QTY
1	87954	INPUT SHAFT	1
2	42N16	INPUT PVC SHIELD	1
3	42N19	DRIVE SHAFT CENTER PVC SHIELD	1
4	96172	DRIVE SHAFT MIDDLE PVC SHIELD	1
5	96173	DRIVE SHAFT BACK PVC SHIELD	1
6	12V99	BEARING, 5.13 X 1.50 X 2.02, FLANGE	1
7	42N18	PILLOW BLOCK BEARING W/STRAIGHT, 1-1/2	1
8	60659	BEARING	2
9	90511	PTO HOLDER	1
10	87914	COMPLETE PTO 1-3/4 1000 RPM	1
11	93018	VERTICAL BEATER GEARBOX ASSEMBLY	1
*	89999	VERTICAL BEATER GEARBOX ASSEMBLY	1
12	YPEX12025	EXPANSION PIN, 3/8 X 2-3/4	2
13	YNJM04005	NUT JAM, 1/8 A	5
14	PB87	SQUARE KEY, 3/8 X 2	1
15	S138	SQRE KEY, 3/8 X 2-3/8	1
16	12V62	HEAVY DUTY EXTERNAL SNAP RING, 1-1/2	1
17	YBFB16175	BOLT FLANGE, 1/2 X 1-3/4 G5	6
18	G89	STRAIGHT ZERK, 1/4-28	5
19	YBFB16200	BOLT FLANGE, 1/2 X 2 G5	4
20	YBFB16125	BOLT FLANGE, 1/2 X 1-1/4 G5	1
21	YNFG16003	NUT FLANGE, 1/2 GF	11
22	TS323	FITTING STRAIGHT, 1/4-28, 1/8-27NPT	3
23	58453	FITTING, 90, 1/8NPT, 1/8NPT	3
24	89728	GREASE HOSE, 3, 134	1
25	89723	GREASE HOSE, 3, 77	1
26	88909	GREASE HOSE, 3, 66	1
27	89725	GREASE HOSE, 3, 161	1
28	88827	FITTING STRAIGHT, 1/8NPT, 1/8NPT	2
29	66077	NIPPLE, 1/8 MALE PIPE X 2-1/2	2
30	88907	GREASE HOSE, 3, 111	1





FIGURE 8

HYDRAULICS





REF #	PART #	DESCRIPTION	QTY
1	42N70	HYDRAULIC CYLINDER, TRUNNION 3-1/2 X 90	1
2	42N69	HYDRAULIC CYLINDER, GIMBAL 3-1/2 X 90	1
3	90970	HYDRAULIC CYLINDER, 2 X 20	2
4	42N71	CYLINDER PIN	1
5	42N72	PUSHER CYLINDER PIN	1
6	42N80	REAR CYLINDER PIN	1
7	56N141	SHAFT, RND, 1.00 X 2.50, PIN, CYLINDER	4
8	90968	HYDRAULIC TUBE, 1/2 X 144	2
9	90969	HYDRAULIC TUBE, 1/2 X 132	2
10	90972	HYDRAULIC HOSE, 6, 36	4
11	89579	HYDRAULIC HOSE, 6, 20	1
12	89588	HYDRAULIC HOSE, 6, 126	2
13	89594	HYDRAULIC HOSE, 6, 164	1
14	89586	HYDRAULIC HOSE, 6, 88	1
15	89581	HYDRAULIC HOSE, 6, 77	1
16	89629	HYDRAULIC HOSE, 6, 182	2
17	67148	FTG, ST, 8ORB, QUICK COUPLER TIP	4
18	89576	HYDRAULIC VALVE, CHECK	1
19	90154	FITTING STRAIGHT, 10ORB, 10ORB	2
20	16SV351	FITTING STRAIGHT, 6NPT X 6NPT	1
21	89574	FITTING T, 6 JIC, 6 JIC, 8 ORB	1
22	CHM164	FITTING, 90, 6JIC X 3/8NPT	1
23	58151	FITTING 45, 3/8JIC, 3/8-18NPTF	1
24	55923	8 ORB TO 3/8 NPTF, 90 DEG	1
25	CHM242	FITTING, TEE, 6JIC X 6JIC X 6JIC	1
26	8005	FITTING TEE, 8JIC X 8JIC X 8JIC, BULKHEAD	2
27	YPHR02020	HAIR PIN, #23-10	2
28	3G21	SNAP RING, 1 HEAVY DUTY	2
29	K132	SPACER, 3/8 LONG	2
30	YPCT05025	COTTER PIN, 5/32 X 2	4
31	58187	FITTING, 8-6 ETX-S	4
32	89635	HYDRAULIC HOSE, 6, 32	2
33	89632	HYDRAULIC HOSE, 6, 45	2
34	86567	DOUBLE CLAMP, UNIVERSAL	4
35	56563	CLAMP TOP PLATE	6
36	TS118	LINE CLAMP BLOCK (PART OF T2008S)	6
37	YBFB12250	BOLT FLANGE, 3/8 X 2-1/2 G5	2
38	56568	CLAMP BOLT, 5/16-18 x 1-3/8	6
39	YNFG12006	NUT FLANGE, 3/8 GF	2





FIGURE 8 HYDRAULICS

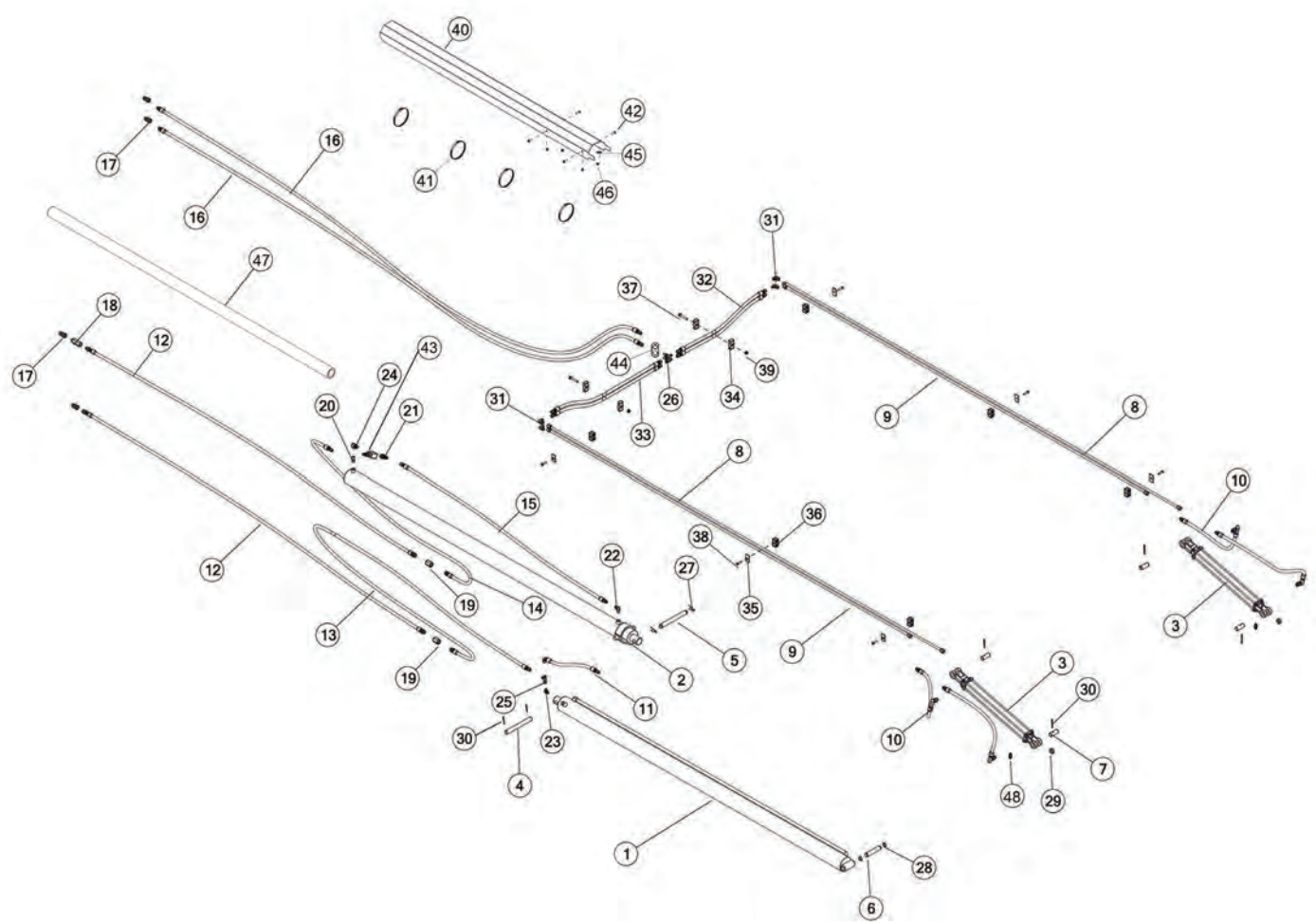
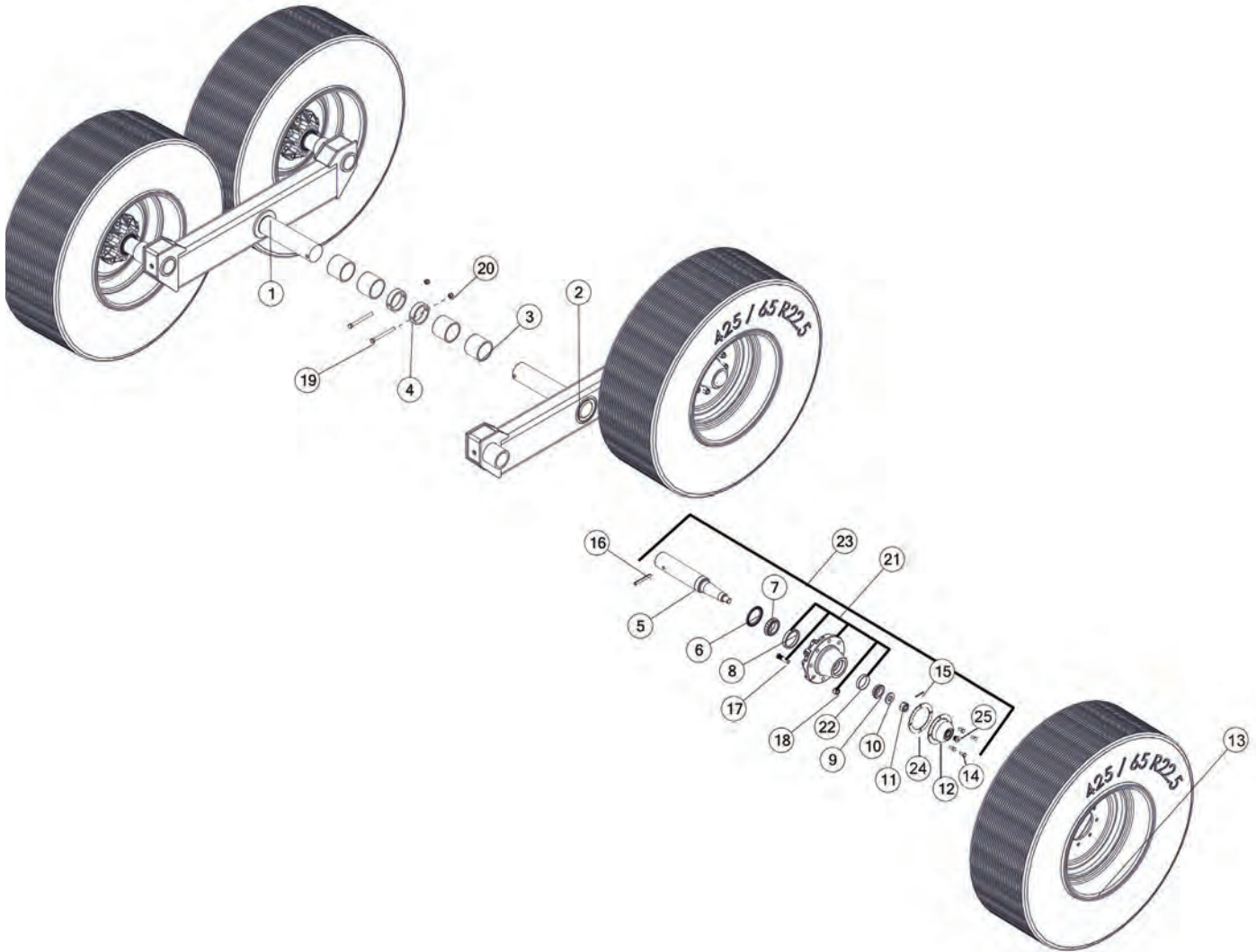




FIGURE 8 HYDRAULICS

REF #	PART #	DESCRIPTION	QTY
40	88849B	CYLINDER SHIELD W/DECALS	1
41	12V70	HOSE CLAMP	4
42	YBFB12125	BOLT FLANGE, 3/8 X 1-1/4	4
43	89573	HYDRAULIC VALVE, SEQUENCE	1
44	92935	BULKHEAD SPACER	1
45	YWLO12005	WASHER LOCK, 3/8	4
46	YNHX12005	NUT HEX, 3/8 G2	4
47	42N64	HOSE SHIELD, 1-1/2 X 73	1
48	YWFL32005	WASHER FLAT, 1	2





REF #	PART #	DESCRIPTION	QTY
1	42N7	TANDEM AXLE RH	1
2	42N6	TANDEM AXLE LH	1
3	45N36	POLY BUSHING	4
4	45N35	AXLE KEEPER	2
5	93106	SPINDLE	4
6	93107	GREASE SEAL	4
7	54597	BEARING CONE	4
8	54593	INNER RACE	4
9	17G150	TAPERED ROLLER BEARING, 1.625 BORE	4
10	33SV95	SPINDLE WASHER	4
11	YNSL32005	NUT SLOT, 1-14 NA G2 NF	4
12	93110	HUB CAP	4
13	90192	ASSEMBLY, TIRE AND WHEEL	4
*	90185	WHEEL, 22.5 X 13.5 8 BOLT SILVER	4
*	16SV88	TIRE, 425 X 22.5	4
*	72438	VALVE STEM, 1-1/2	4
13	90193	ASSEMBLY, TIRE AND WHEEL	4
*	90186	WHEEL, W16C-16.1 8 BOLT SILVER	4
*	UR8	19L X 16.1 TIRE	4
*	72437	VALVE STEM, 1.25IN HD	4
13	90197	ASSEMBLY, TIRE AND WHEEL, RH	2
*	90187	WHEEL, 22.5 X 16.00 8 BOLT SILVER	2
*	33381	TIRE, 550/45 - 22.5 16PLY FLOATATION	2
*	72437	VALVE STEM, 1.25IN HD	2
*	90198	ASSEMBLY, TIRE AND WHEEL, LH	2
14	YBHH08063	BOLT HEX, 1/4 X 5/8 G5	4
15	YPCT07175	COTTER PIN, 7/32 X 1-3/4	4
16	YPEX16020	EXPANSION PIN, 1/2 X 4	4
17	YBSD20010	BOLT STUD, 5/8 X 2-1/2 G8	32
18	YNWL20005	NUT WHEEL, 5/8-18 NA G5 ZC	32
19	YBHH16160	BOLT HEX, 1/2-13 X 5-1/2 G5	2
20	YNNY16005	NUT HEX, 1/2-13 LKNY G2 ZC	2
21	93103	HUB	4
22	17G149	RACE	4
23	93112	HUB AND SPINDLE ASSEMBLY	4
24	93109	GASKET	1
25	93111	OIL PLUG	1





FIGURE 10 ENDGATE & COMPONENTS

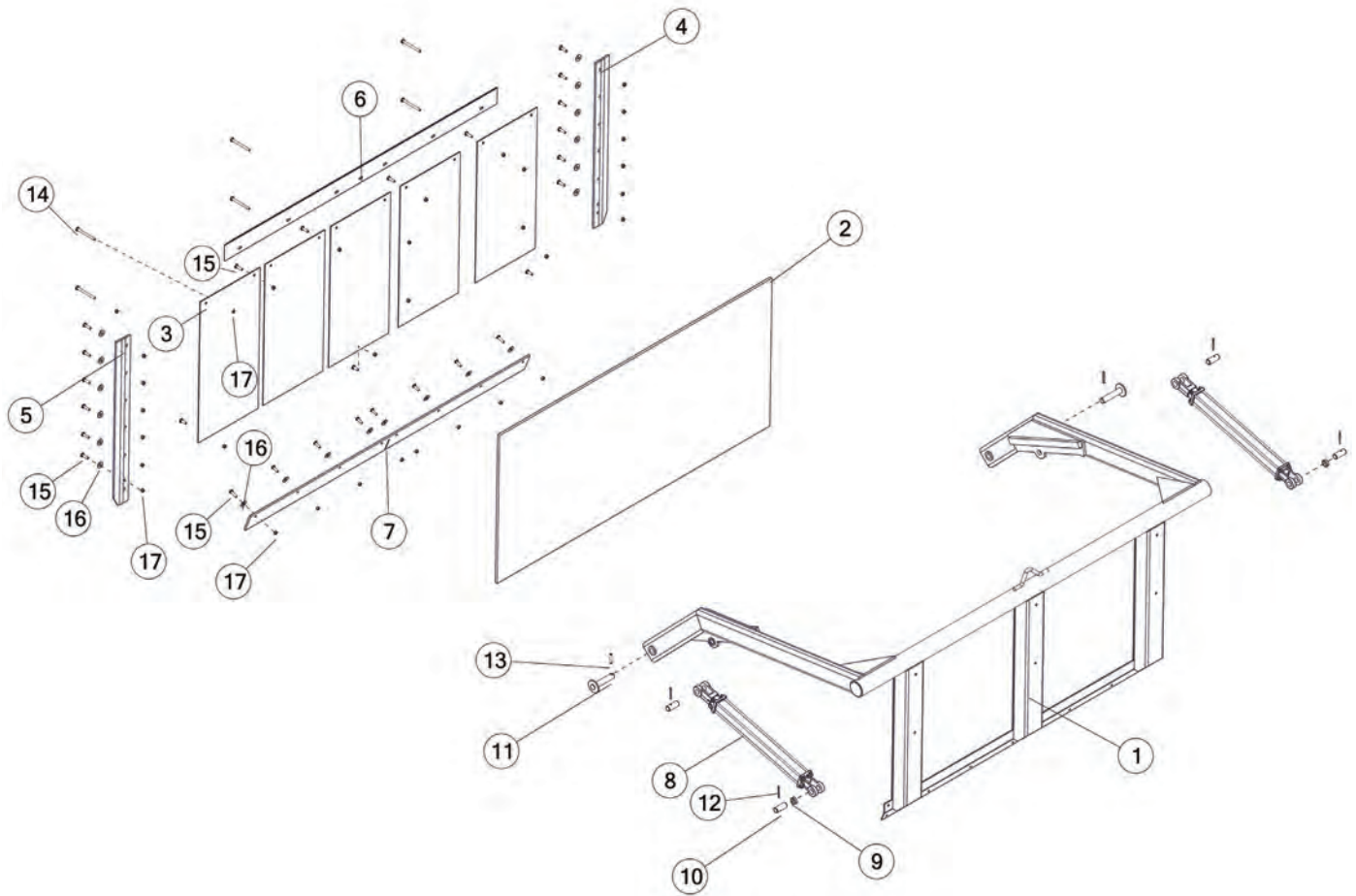




FIGURE 10 ENDGATE & COMPONENTS

REF #	PART #	DESCRIPTION	QTY
1	42N28B	END GATE W/DECALS	1
2	42N34	ENDGATE POLY	1
3	42N165	ENDGATE CURTAIN	5
4	42N31	ENDGATE RUBBER RIGHT	1
5	42N32	ENDGATE RUBBER LEFT	1
6	89816	POLY HOLD DOWN	1
7	42N33	ENDGATE RUBBER	1
8	90970	HYDRAULIC CYLINDER, 2 X 20	2
*	56187	SEAL KIT	2
9	K132	SPACER, 3/8 LONG	2
10	56N141	SHAFT, RND, 1 X 2-1/2, PIN, CYLINDER	1
11	42N29	HINGE PIN	2
12	YPCT05025	COTTER PIN, 5/32 X 2	4
13	YPEX12020	EXPANSION PIN, 3/8 X 2	2
14	YBCR12105	BOLT CARRIAGE, FT, 3/8-16 X 4-1/2 G5 ZC	6
15	YBCR12015	BOLT CARRIAGE, 3/8-16 X 1-1/2 G5 ZC	27
16	YWFL14005	WASHER FLAT, 7/16	40
17	YNHX12005	NUT HEX, 3/8-16 NA A ZC	33



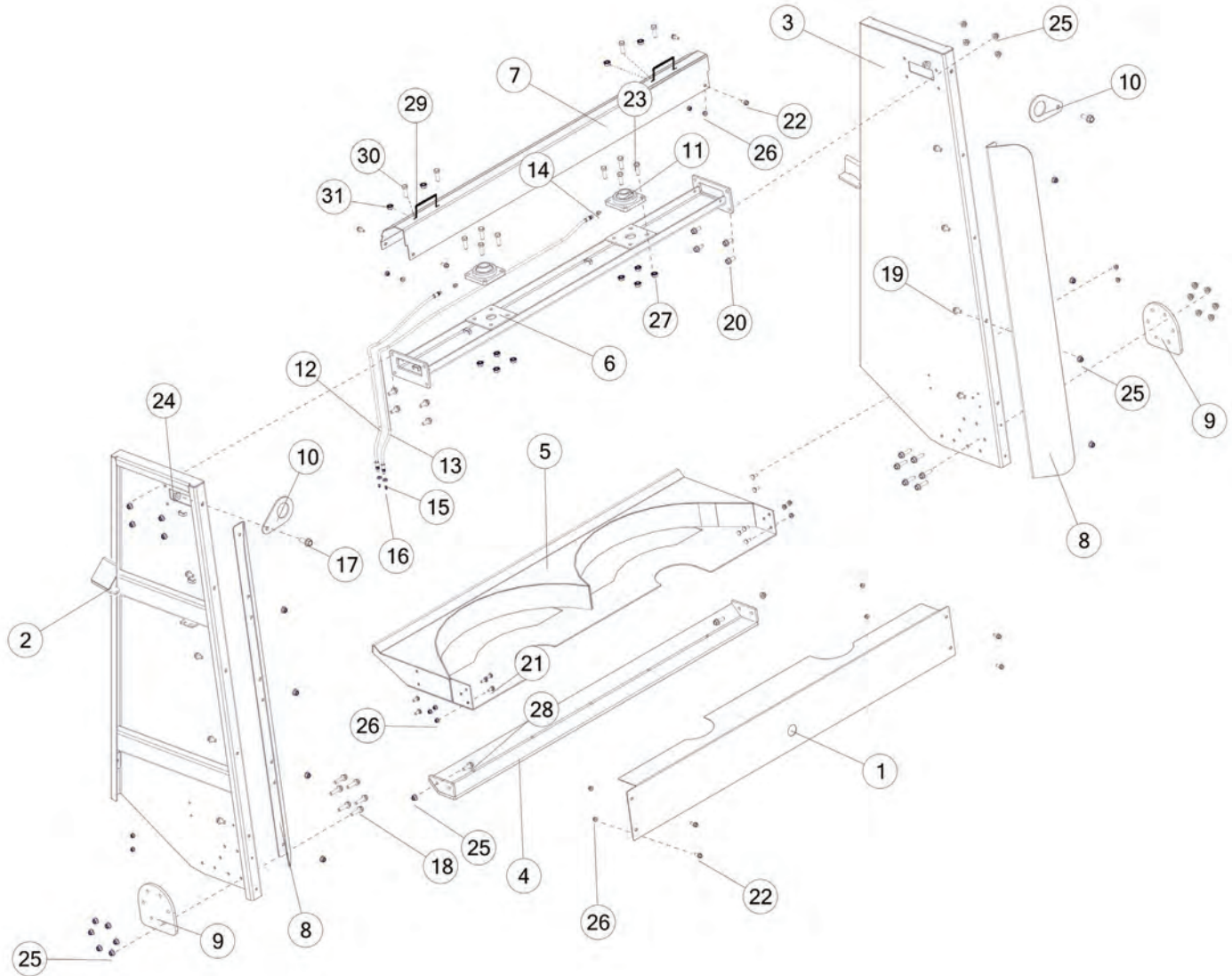




FIGURE 11

BEATER PANELS & COMPONENTS

REF #	PART #	DESCRIPTION	QTY
1	87691	GEARBOX COVER	1
2	88837B	BEATER PANEL W/DECALS LH	1
3	88839B	BEATER PANEL W/DECALS RH	1
4	90870	BEATER SKID PLATE	1
5	87622	BEATER PAN	1
6	87578B	UPPER BEARING MOUNT W/DECALS	1
7	87579B	BEARING SHIELD W/DECALS	1
8	85230	BEATER DEFLECTOR	2
9	87568	BEATER SUPPORT LEG	2
10	HGV50	LIFTING EYE	2
11	12V99	BRG, 5.13 X 1.50 X 2.02, FLANGE	2
12	89739	GREASE HOSE, 3, 45	1
13	89741	GREASE HOSE, 3, 80	1
14	TS323	FITTING STRAIGHT, 1/4-28, 1/8-27NPT	2
15	YNJM04005	NUT, JAM, 1/8 A	2
16	G89	STRAIGHT ZERK, 1/4-28	2
17	YBFB20175	BOLT FLANGE, 5/8 X 1-3/4 G5	2
18	YBHH16065	BOLT HEX, 1/2-13 X 2 G5 ZC	12
19	YBFB16100	BOLT FLANGE, 1/2 X 1 G5	8
20	YBFB16125	BOLT FLANGE, 1/2 X 1-1/4 G5	8
21	YBCR12010	BOLT CARRIAGE, 3/8-16 X 1 G5 ZC	6
22	YBFB12003	BOLT FLANGE, 3/8 X 1 G5	8
23	YBHH18010	BOLT HEX, 9/16 X 1-3/4 G5 ZINC	8
24	YNFG20005	NUT FLANGE, 5/8-11 LKTL F ZC	2
25	YNFG16003	NUT FLANGE, 1/2 GF	22
26	YNFG12006	NUT FLANGE, 3/8 GF	8
27	YNSF18005	NUT FLANGE, 9/16-12 LKSF CH ZC	8
28	YBFB16150	BOLT FLANGE, 1/2 X 1-1/2 G5	2
29	TS96	SHIELD HANDLE	2
30	YBHH08100	BOLT HEX, 1/4 X 3/4 G5	4
31	YNFG08010	NUT FLANGE, 1/4 GF	4





FIGURE 12 BEATERS & COMPONENTS

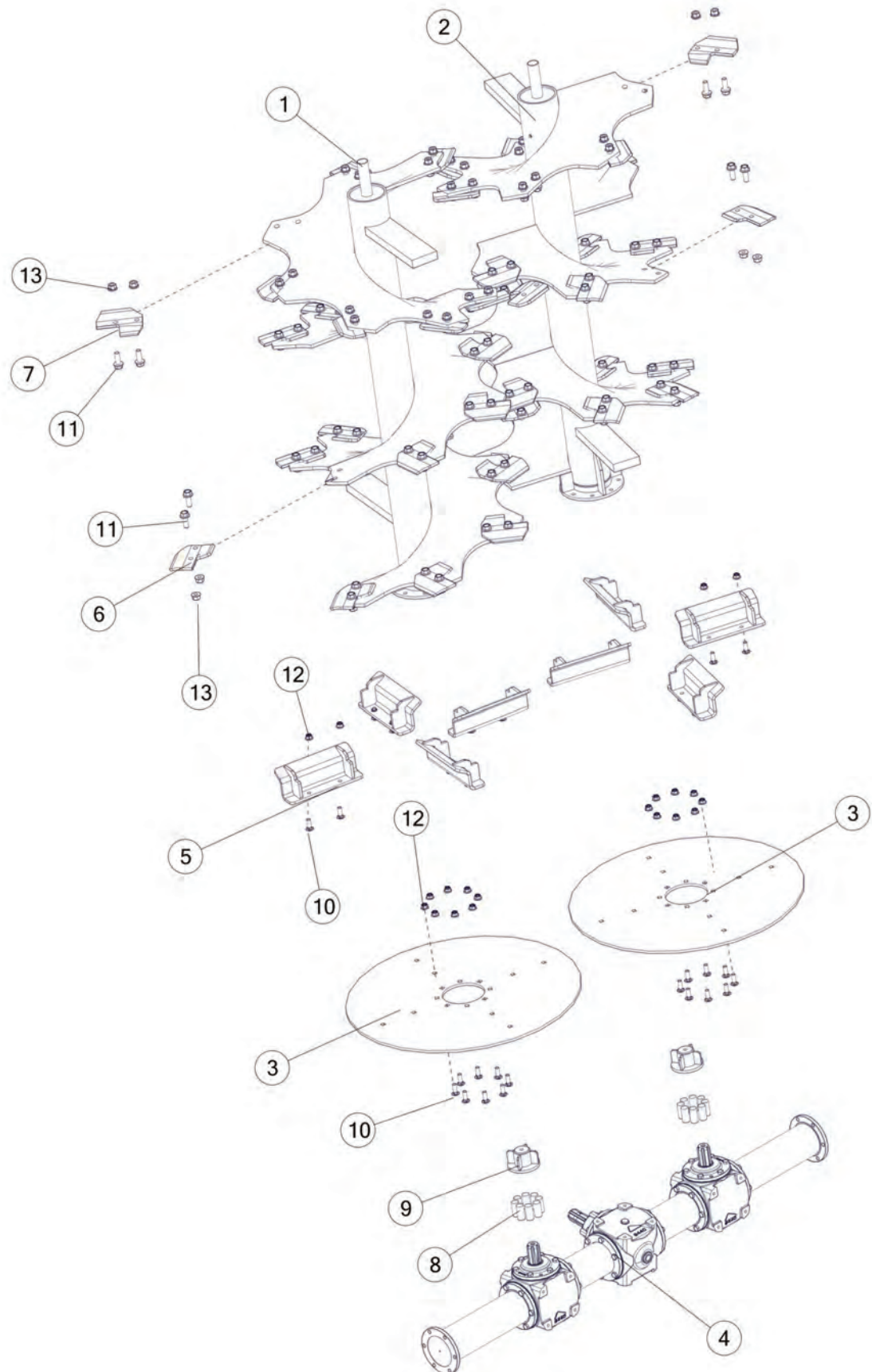




FIGURE 13

LIGHTS

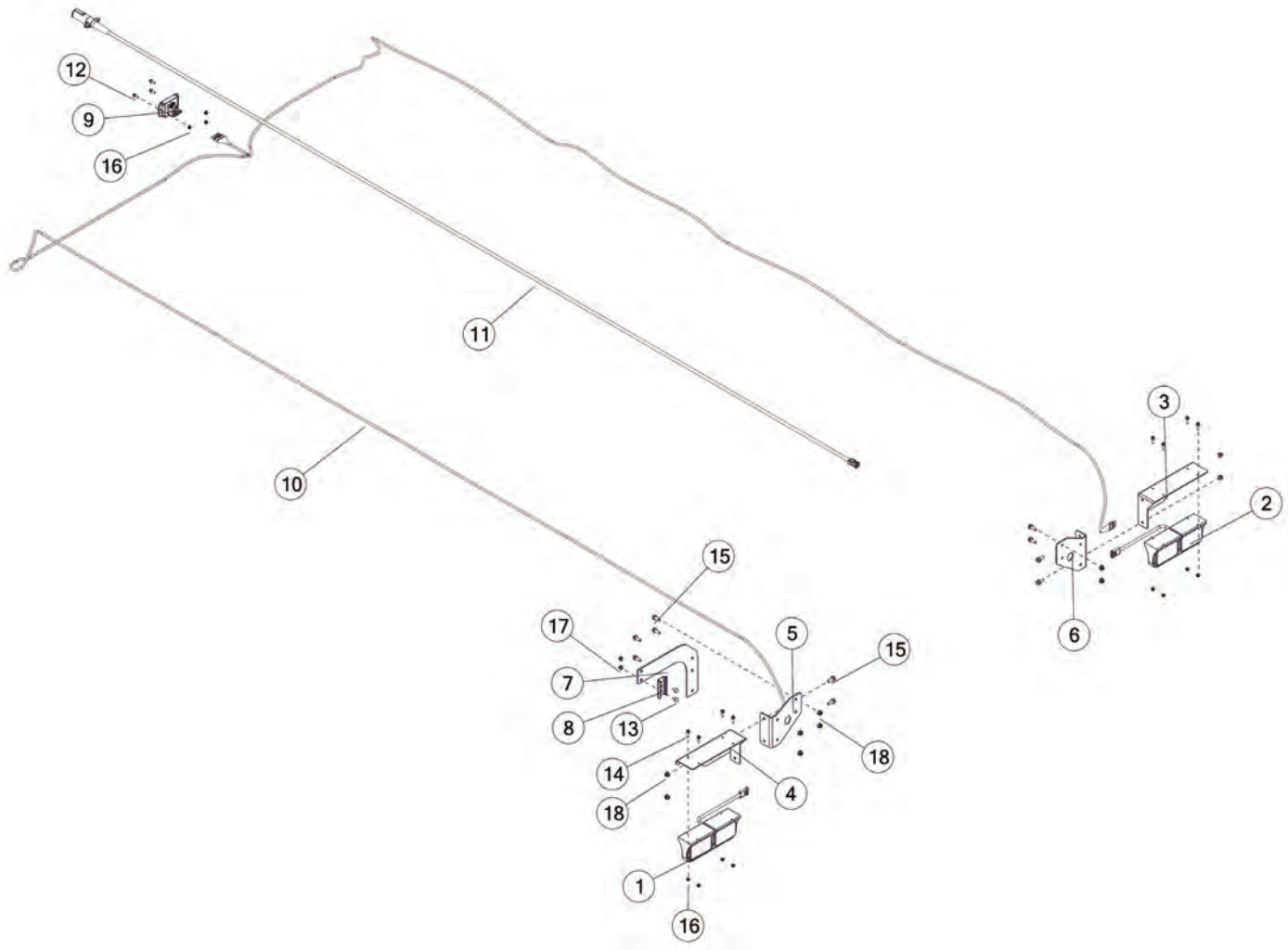




FIGURE 13

LIGHTS

REF #	PART #	DESCRIPTION	QTY
1	TFM71	TAIL LIGHT, LH	1
2	TFM72	LED TAIL LIGHT ASSY, RH	1
3	90915B	LIGHT BRACKET W/DECALS, RH	1
4	90914B	LIGHT BRACKET W/DECALS, LH	1
5	90917	LIGHT BRACKET MOUNT, LH	1
6	90918	LIGHT BRACKET MOUNT, RH	1
7	42N43	SMV BRACKET	1
8	F97	SMV HOLDER	1
9	69908	MODULE, CONTROL, BLINKER	1
10	90927	ELECTRICAL HARNESS, TAILLIGHTS	1
11	94018	WIRE HARNESS	1
12	YBFB08075	BOLT FLANGE, 1/4 X 3/4 G5	3
13	YBCR10030	BOLT CARRIAGE, 5/16-18 X 3/4 G5 ZC	2
14	YBFB08100	BOLT FLANGE, 1/4 X 1 G5	8
15	YBFB12003	BOLT FLANGE, 3/8 X 1 G5	10
16	YNFG08010	NUT FLANGE, 1/4 GF	11
17	YNFG10005	NUT FLANGE, 5/16 GF	2
18	YNFG12006	NUT FLANGE, 3/8 GF	10



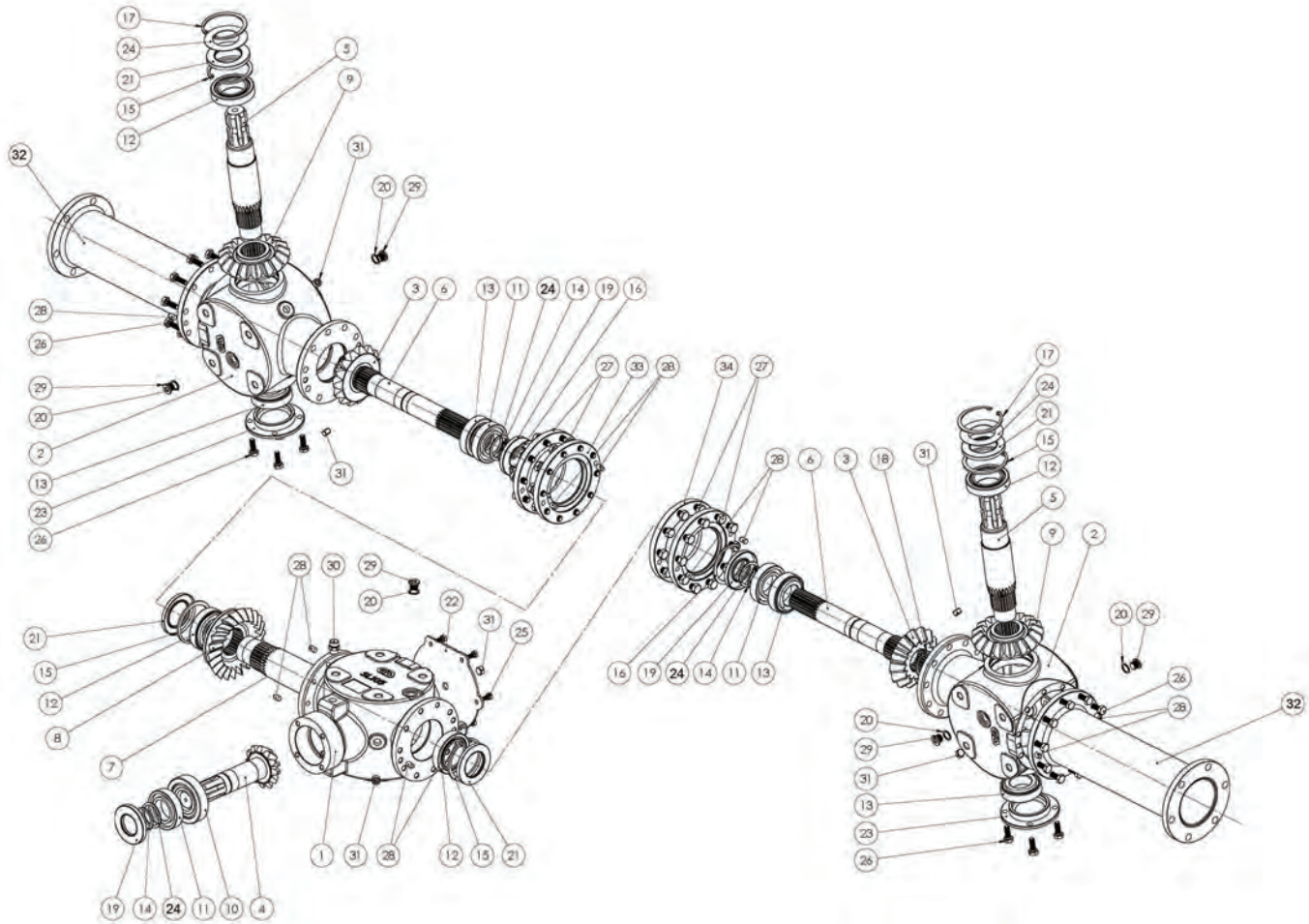




FIGURE 14

VERTICAL BEATER GEARBOX ASSEMBLY

93018

REF #	PART #	DESCRIPTION	QTY
1	92998	CENTER HOUSING	1
2	92999	OUTER HOUSING	2
3	93086	GEAR	2
4	93011	INPUT SHAFT	1
5	93012	OUTPUT SHAFT	2
6	93090	SHAFT	2
7	93080	CENTRAL SHAFT	1
8	93079	CROWN GEAR	1
9	93085	CROWN GEAR	2
10	93969	BEARING	1
11	93009	BEARING	3
12	93082	BEARING	4
13	93081	BEARING	4
14	93013	SNAP RING	3
15	93083	SNAP RING	4
16	93087	SNAP RING	2
17	93005	SNAP RING	2
18	93091	SNAP RING	2
19	93015	SEAL	3
20	93017	SEAL	6
21	93006	COVER	4
22	93010	COVER PLATE	1
23	93008	BASE PLATE	2
24	93007	SHIM KIT	3
25	YBHH74016	BOLT HEX, M8-1.25 X 16 8.8 ZC	6
26	YBHH76030	BOLT HEX, M10-1.5 X 30 8.8 ZC	28
27	YBHH78015	BOLT HEX, M12-1.75 X 30 8.8 ZC	40
28	93016	PIN	12
29	93003	OIL PLUG	6
30	93002	BREATHER	1
31	93004	OIL PLUG	8
32	93000	OUTER SUPPORT	2
33	93001	CENTER SUPPORT, RH	1
34	93976	CENTER SUPPORT, LH	1



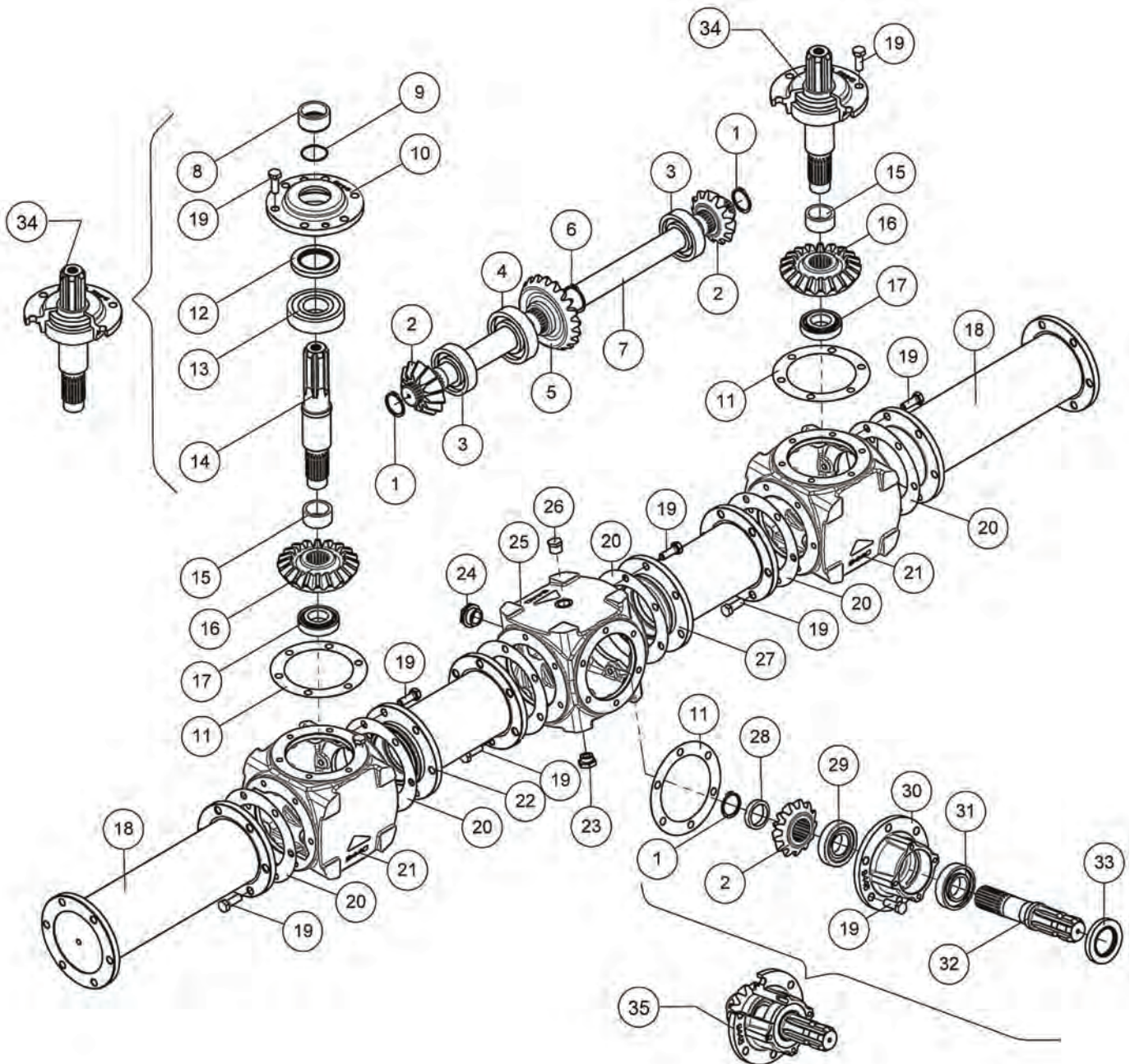




FIGURE 14

VERTICAL BEATER GEARBOX ASSEMBLY

89999

REF #	PART #	DESCRIPTION	QTY
1	89837	SNAP RING	3
2	89838	GEAR	3
3	89839	BEARING	2
4	89840	BEARING	1
5	89841	GEAR	1
6	89842	SNAP RING	1
7	89843	SHAFT	1
8	89844	SPACER	2
9	89845	O RING	2
10	89846	FLANGE	2
11	89847	GASKET	3
12	89848	SEAL	2
13	89849	BEARING	2
14	89850	SHAFT	2
15	89851	SPACER	2
16	89852	GEAR	2
17	89853	BEARING	2
18	89854	SPACER	2
19	89855	BOLT HEX, M12 X 35	54
20	89856	GASKET	6
21	89857	HOUSING	2
22	89858	HOUSING SPACER, RH	1
23	89859	OIL PLUG	1
24	89860	SIGHT GLASS	1
25	89861	CENTRAL HOUSING	1
26	89862	BREATHER PLUG	1
27	89863	HOUSING SPACER, LH	1
28	89864	SPACER	1
29	89865	BEARING	1
30	89866	HUB	1
31	89867	BEARING	1
32	89868	SHAFT	1
33	89869	SEAL	1
34	89870	OUTPUT HUB ASSEMBLY	2
35	89871	INPUT HUB ASSEMBLY	1





FIGURE 15
OPTIONAL FLOW CONTROL (HPOVSC)

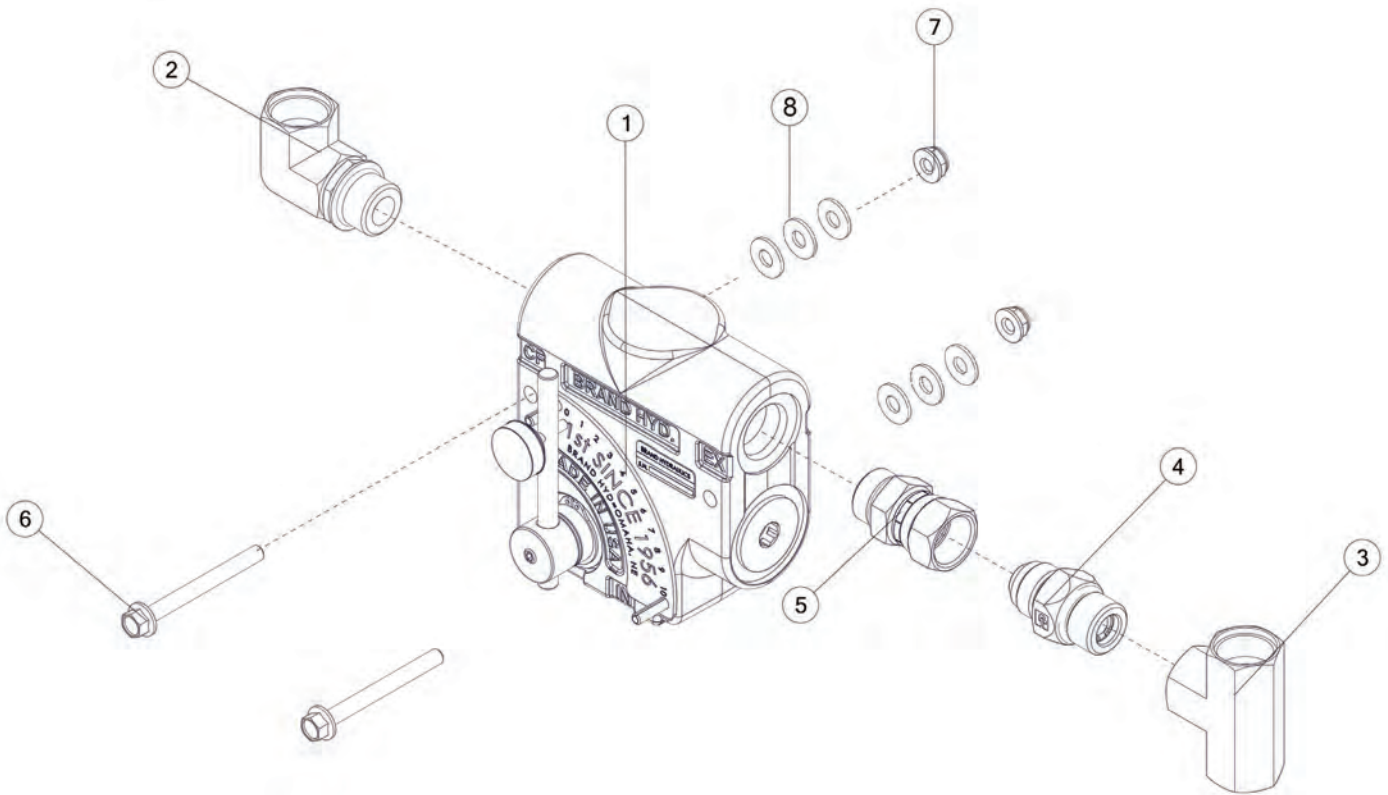




FIGURE 15

OPTIONAL FLOW CONTROL (HPOVSC)

REF #	PART #	DESCRIPTION	QTY
1	89583	FLOW CONTROL	1
2	90157	FITTING 90, 10ORB, 10ORB	1
3	91707	FITTING T, 10ORB, 10ORB, 10ORB	1
4	91722	FITTING STRAIGHT, 10JIC, 10ORB, CHECK	1
5	84907	FITTING STRAIGHT, 5/8JIC, 10ORB	2
6	YBFB08300	BOLT FLANGE, 1/4 X 3 G5	2
7	YNFG08010	NUT FLANGE, 1/4	2
8	YWFL08005	WASHER FLAT, 1/2	6



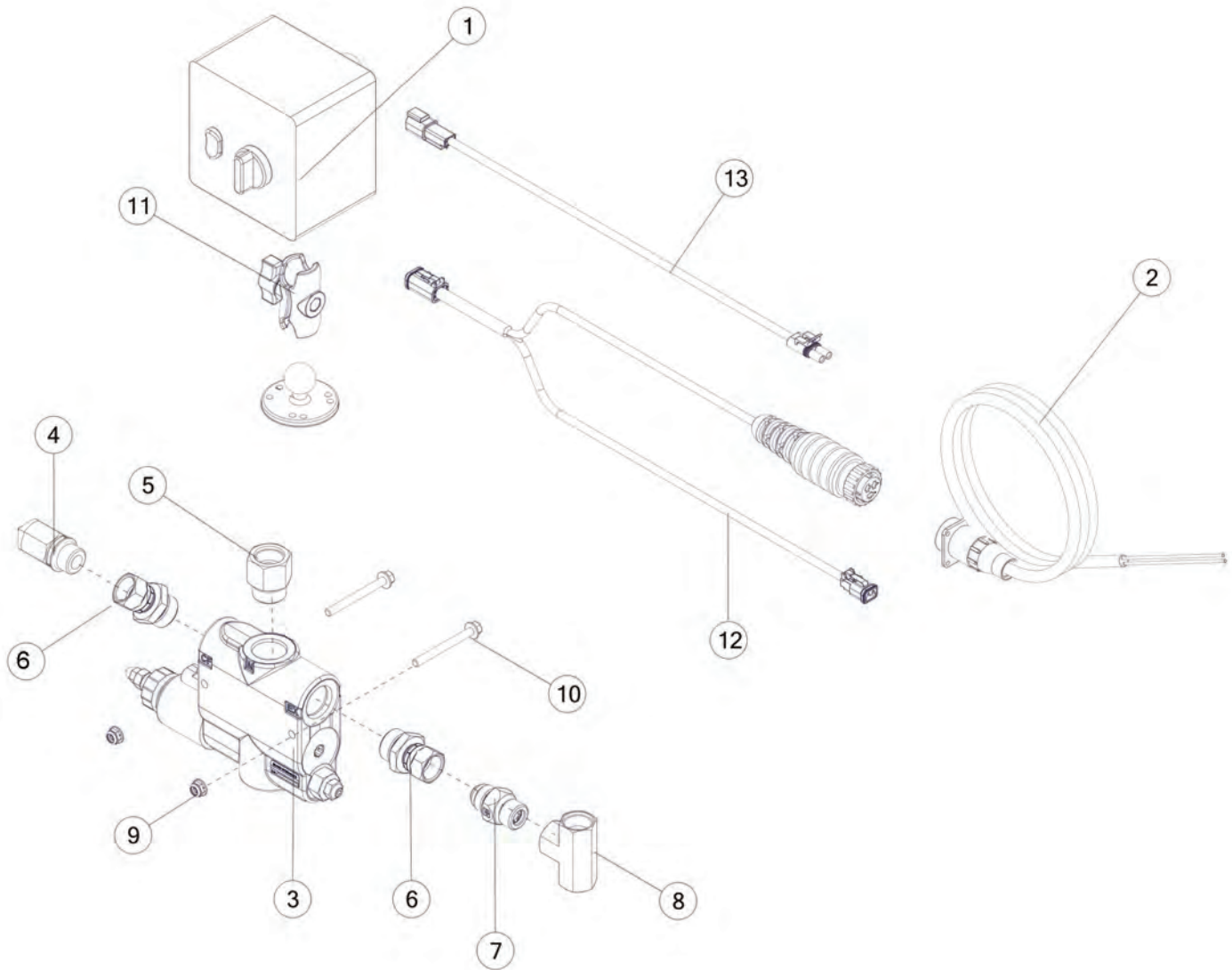




FIGURE 16

OPTIONAL VARIABLE SPEED CONTROL (HPOVSEC)

REF #	PART #	DESCRIPTION	QTY
1	91719	CONTROL BOX	1
2	16SV269	TRACTOR CONTROL CABLE	1
3	89668	ELECTRIC FLOW CONTROL	1
4	GM56	FITTING 90, 10JIC, 10ORB	1
5	69135	FITTING STRAIGHT, 12ORB, 10ORB	1
6	91704	FITTING STRAIGHT, 10JIC, 12ORB	2
7	91722	FITTING STRAIGHT, 10JIC, 10ORB, CHECK	1
8	91707	FITTING TEE, 10ORB, 10ORB, 10ORB	1
9	YNFG08010	NUT FLANGE, 1/4 GF	2
10	YBFB08250	BOLT FLANGE, 1/4 X 2-1/2 G5	2
11	85272	RAM DOUBLE SOCKET SHORT ARM	1
12	91713	CAB HARNESS	1
13	91712	IMPLEMENT HARNESS	1





FIGURE 17
OPTIONAL SCREEN EXTENSION
(HPOFASE)

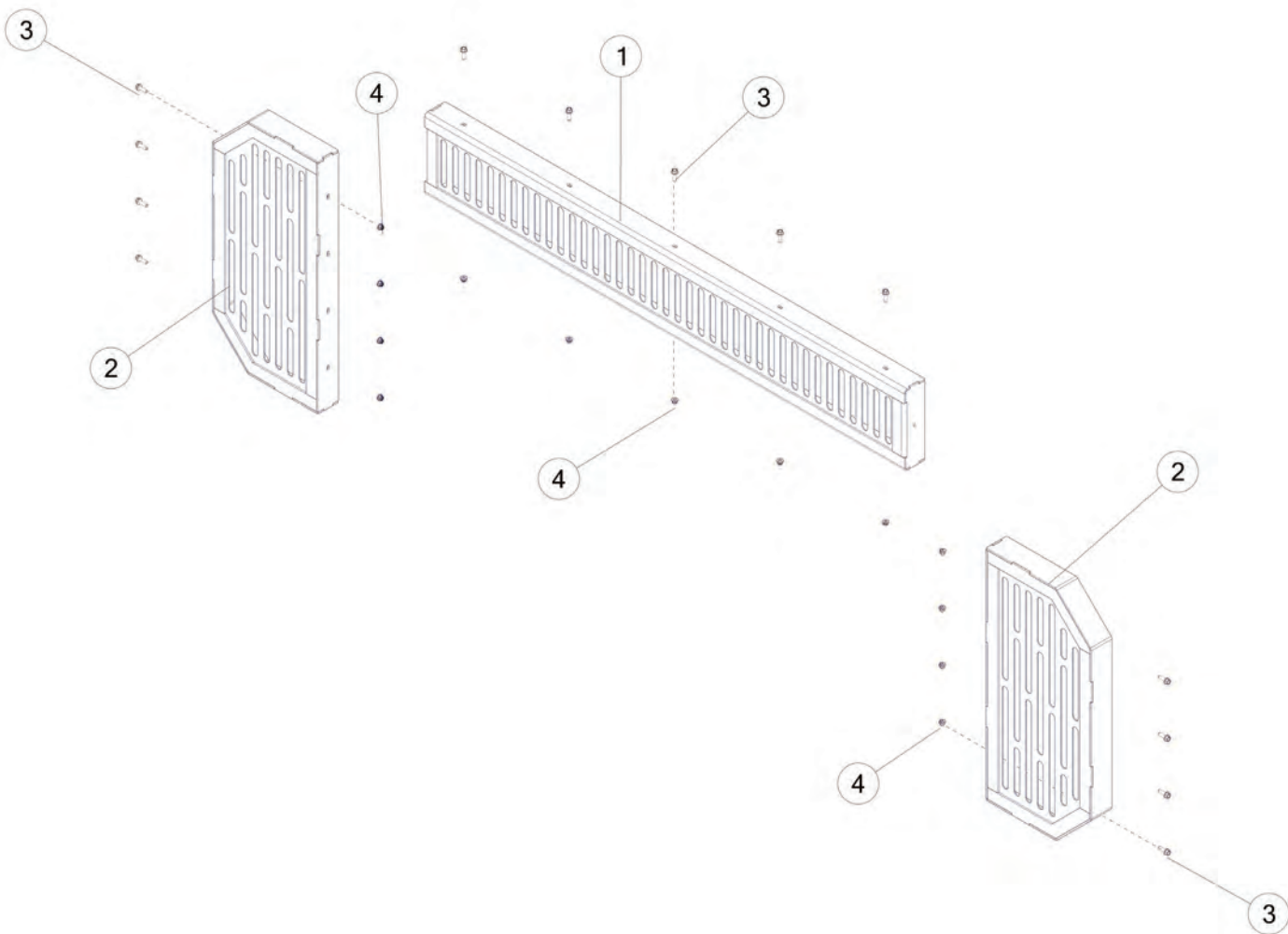




FIGURE 18

HPO1034CV PTO
BACK

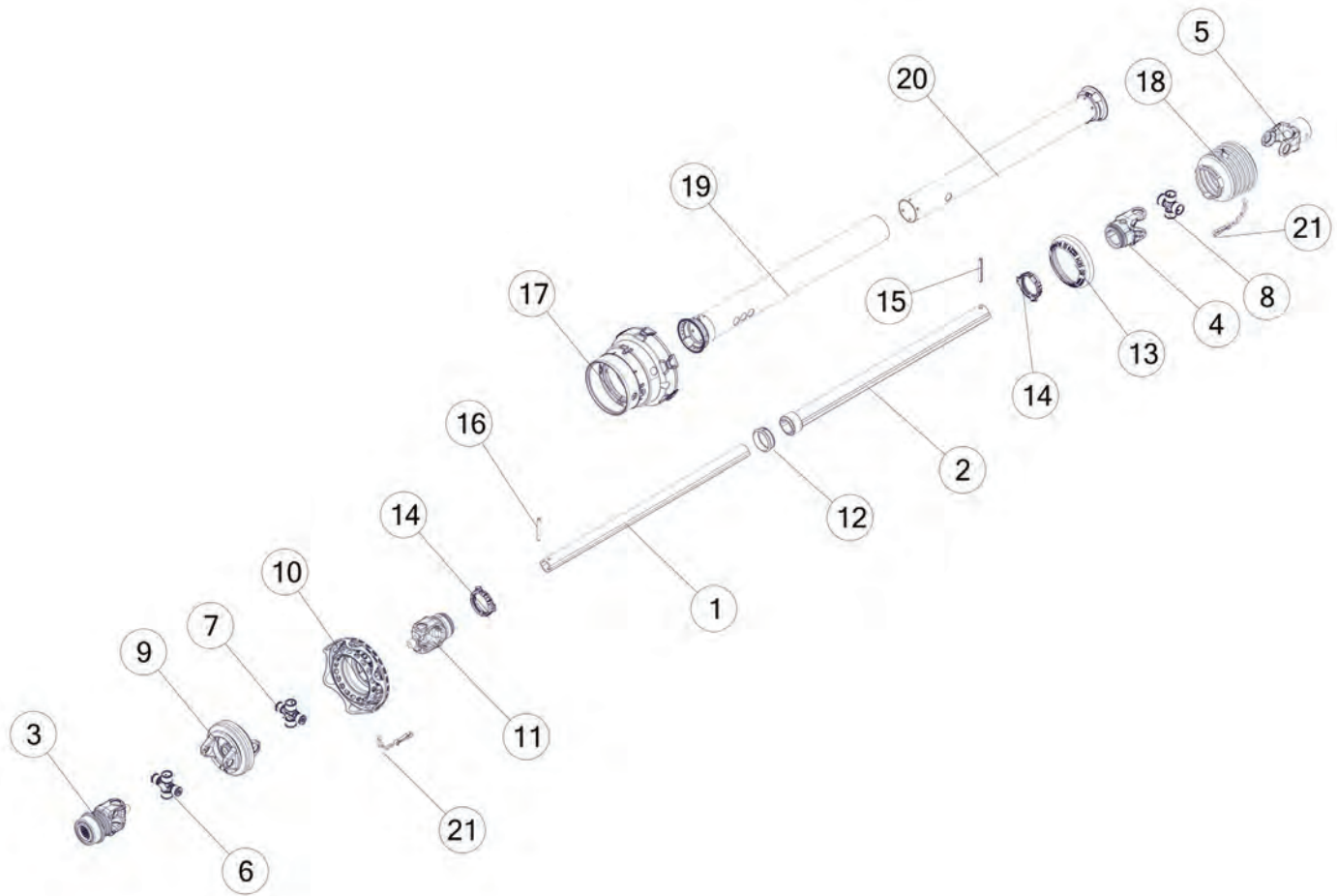




FIGURE 18

HPO1034CV PTO

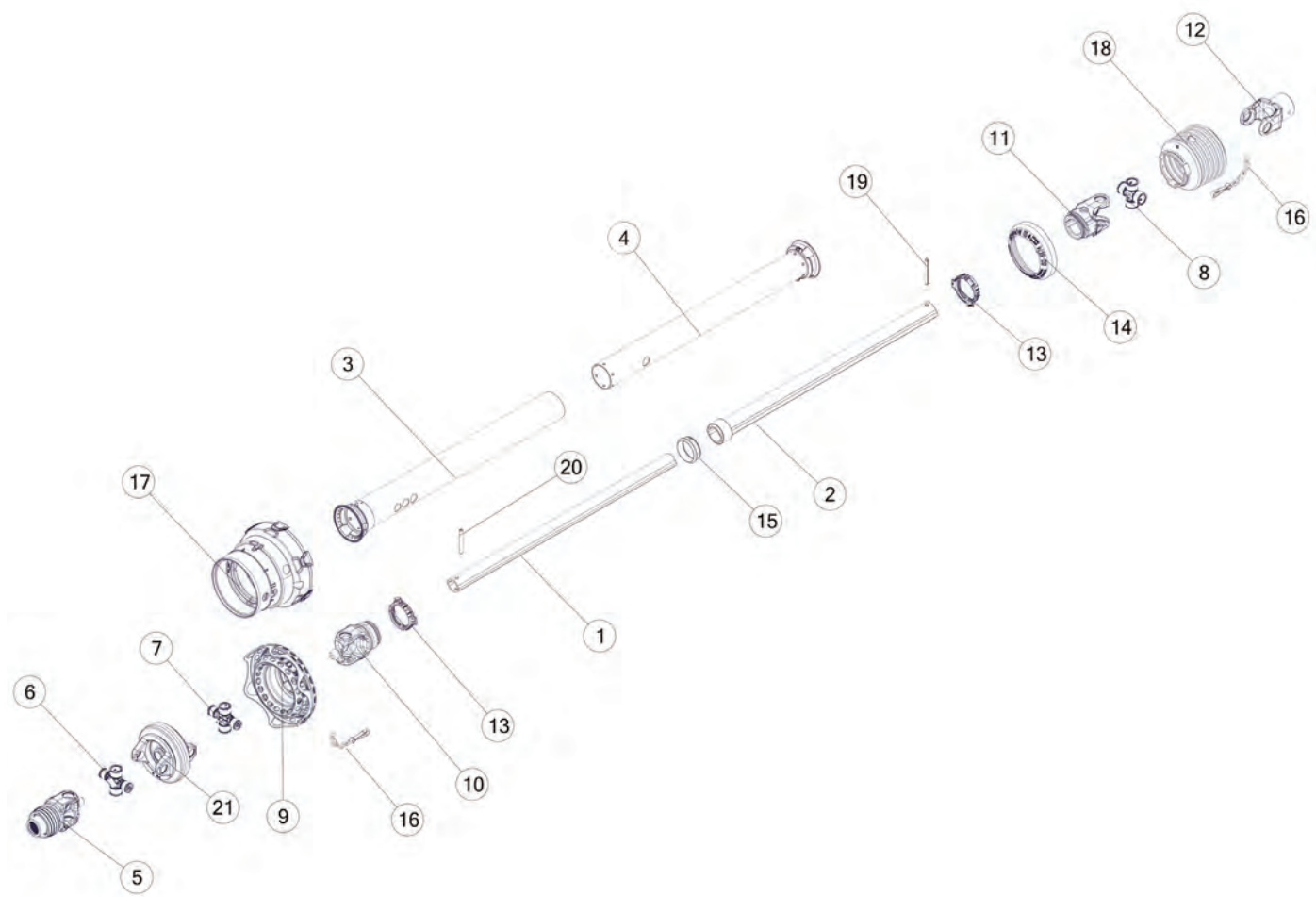
BACK

REF #	PART #	DESCRIPTION	QTY
1	89772	INNER SHAFT	1
2	89790	OUTER SHAFT	1
3	89799	YOKE	1
4	89787	YOKE	1
5	89789	YOKE	1
6	89768	CROSS AND BEARING KIT	1
7	89770	CROSS AND BEARING KIT	1
8	89786	CROSS AND BEARING KIT	1
9	89769	DOUBLE YOKE	1
10	89776	NET GUARD	1
11	89771	INBOARD YOKE	1
12	89793	SUPPORT BEARING	1
13	89792	REINFORCING COLLAR	1
14	87919	BEARING RING	2
15	87920	SPRING PIN	1
16	89773	SPRING PIN	1
17	89784	CV GUARD	1
18	87926	GUARD CONE	1
19	89774	OUTER GUARD TUBE	1
20	89791	GUARD TUBE INNER	1
21	87916	RESTRAINT CHAIN	2
*	89800	COMPLETE PTO, 1-3/4 1000 RPM	1





FIGURE 19
HPO1038CV PTO





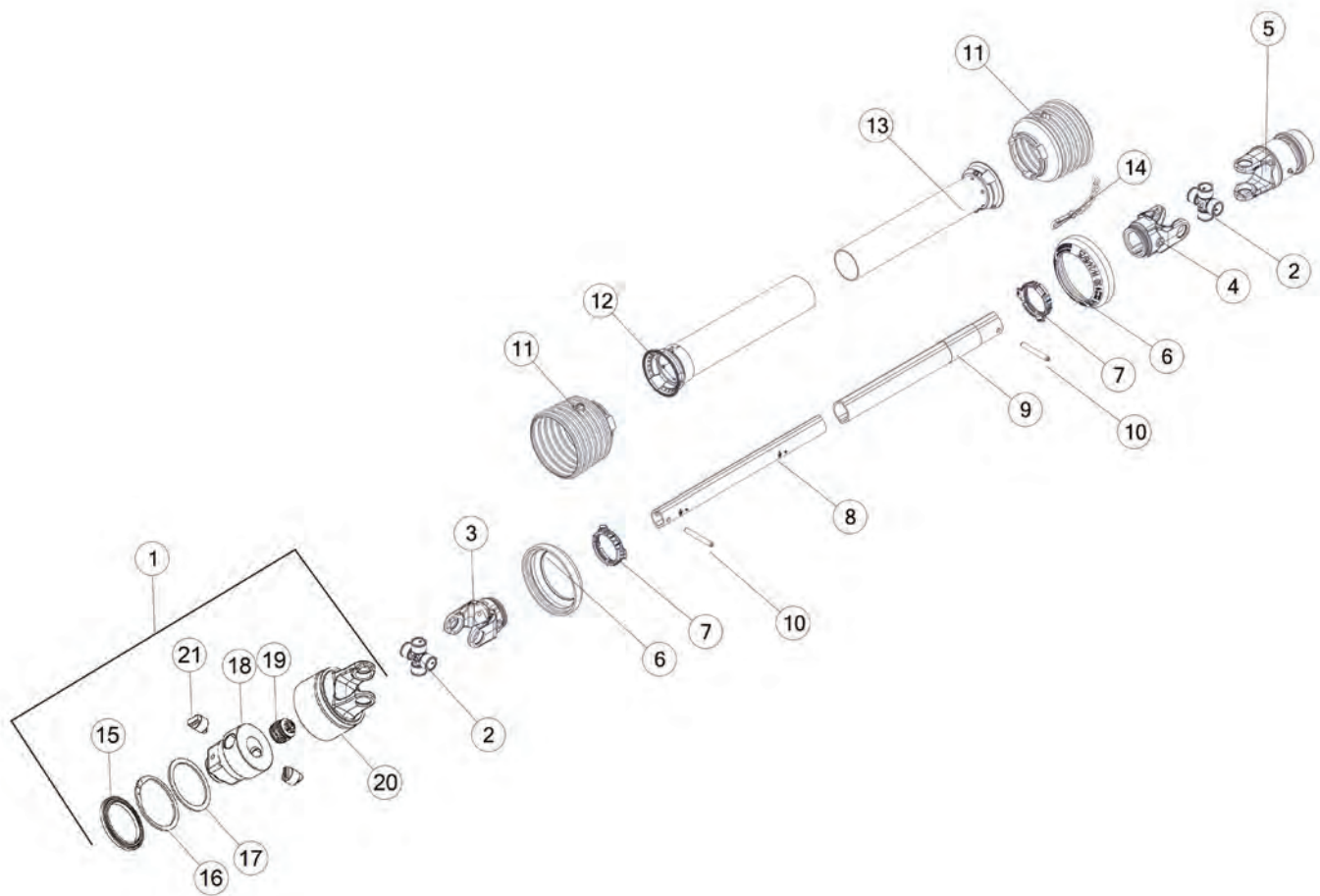
REF #	PART #	DESCRIPTION	QTY
1	89772	INNER SHAFT	1
2	89790	OUTER SHAFT	1
3	89774	OUTER GUARD TUBE	1
4	89791	GUARD TUBE INNER	1
5	89767	YOKE ASSEMBLY	1
6	89768	CROSS AND BEARING KIT	1
7	89770	CROSS AND BEARING KIT	1
8	89786	CROSS AND BEARING KIT	1
9	89776	NET GUARD	1
10	89771	INBOARD YOKE	1
11	89787	YOKE	1
12	89789	YOKE	1
13	87919	BEARING RING	2
14	89792	REINFORCING COLLAR	1
15	89793	SUPPORT BEARING	1
16	87916	RESTRAINT CHAIN	2
17	89784	CV GUARD	1
18	87926	GUARD CONE	1
19	87920	SPRING PIN	1
20	89773	SPRING PIN	1
21	89769	DOUBLE YOKE	1
*	89794	COMPLETE PTO, 1-3/8 1000 RPM	1





FIGURE 20

1000 RPM PTO
FRONT







Manufactured By:

H&S MANUFACTURING CO., INC.

2608 S. HUME AVE. MARSHFIELD, WI 54449
(715) 387-3414 | hsmfgco.com

