



# HPV4255

## MANURE SPREADER

### PARTS BOOK

Part #91692

HSMFG021721

Rev. #00

Starting Ser. #122VP55001

**STRONG HERITAGE - STRONG PEOPLE - STRONGER FUTURE**

# CONTENTS

Instructions for Ordering Parts . . . . .	1
Figure 1 - Hitch & Components . . . . .	2-3
Figure 2 - Floor & Side Components . . . . .	4-5
Figure 3 - PTO Shield & Components . . . . .	6-7
Figure 4 - Pusher & Components . . . . .	8-9
Figure 5 - Pusher Extension & Components . . . . .	10-11
Figure 6 - Pusher Spacers & Components . . . . .	12-13
Figure 7 - Gearbox Drive & Components . . . . .	14-15
Figure 8 - Hydraulics . . . . .	16-17
Figure 9 - Tandem Axle & Wheel Components . . . . .	18-19
Figure 10 - Endgate & Components . . . . .	20-21
Figure 11 - Beater Panels & Components . . . . .	22-23
Figure 12 - Beaters & Components . . . . .	24-25
Figure 13 - Lights . . . . .	26-27
Figure 14 - Beater Gearbox Assembly . . . . .	28-29
Figure 15 - Optional Flow Control (HPOVSC). . . . .	30-31
Figure 16 - Optional Variable Speed Control (HPOVSEC). . . . .	32-33
Figure 17 - Optional Screen Extension (HPOFASE) . . . . .	34-35
Figure 18 - HPO1034CV PTO . . . . .	36-37
Figure 19 - HPO1038CV PTO . . . . .	38-39
Figure 20 - 1000 RPM PTO . . . . .	40-41
Figure 21 - Optional TWP600S (HPOHTA550) . . . . .	42-43
Parts Notes . . . . .	44

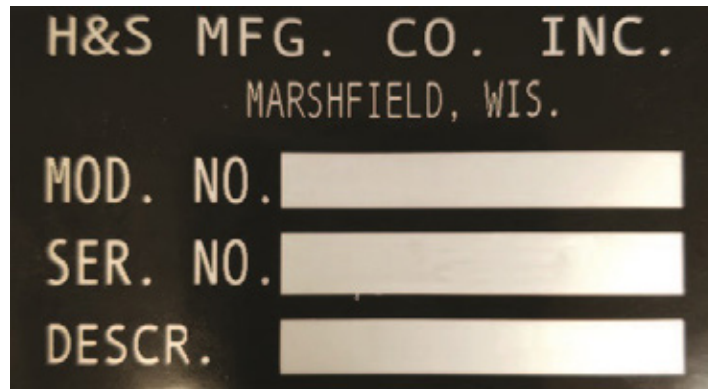
# **INSTRUCTIONS FOR ORDERING PARTS**

All service parts should be ordered through your authorized H&S dealer. He will be able to give you faster service if you will provide them with the following:

1. Model & Serial Number - Both can be located on the front, left side of the PTO bearing support mount.
2. All references to left or right apply to the machine as viewed from the rear.
3. Parts should not be ordered from illustration only. Please order complete part number.
4. If your dealer has to order parts - give shipping instructions:

VIA truck - large pieces (please specify local truck lines)

VIA United Parcel Service (include full address)



H&S MFG. CO. INC.  
MARSHFIELD, WIS.

MOD. NO.

SER. NO.

DESCR.

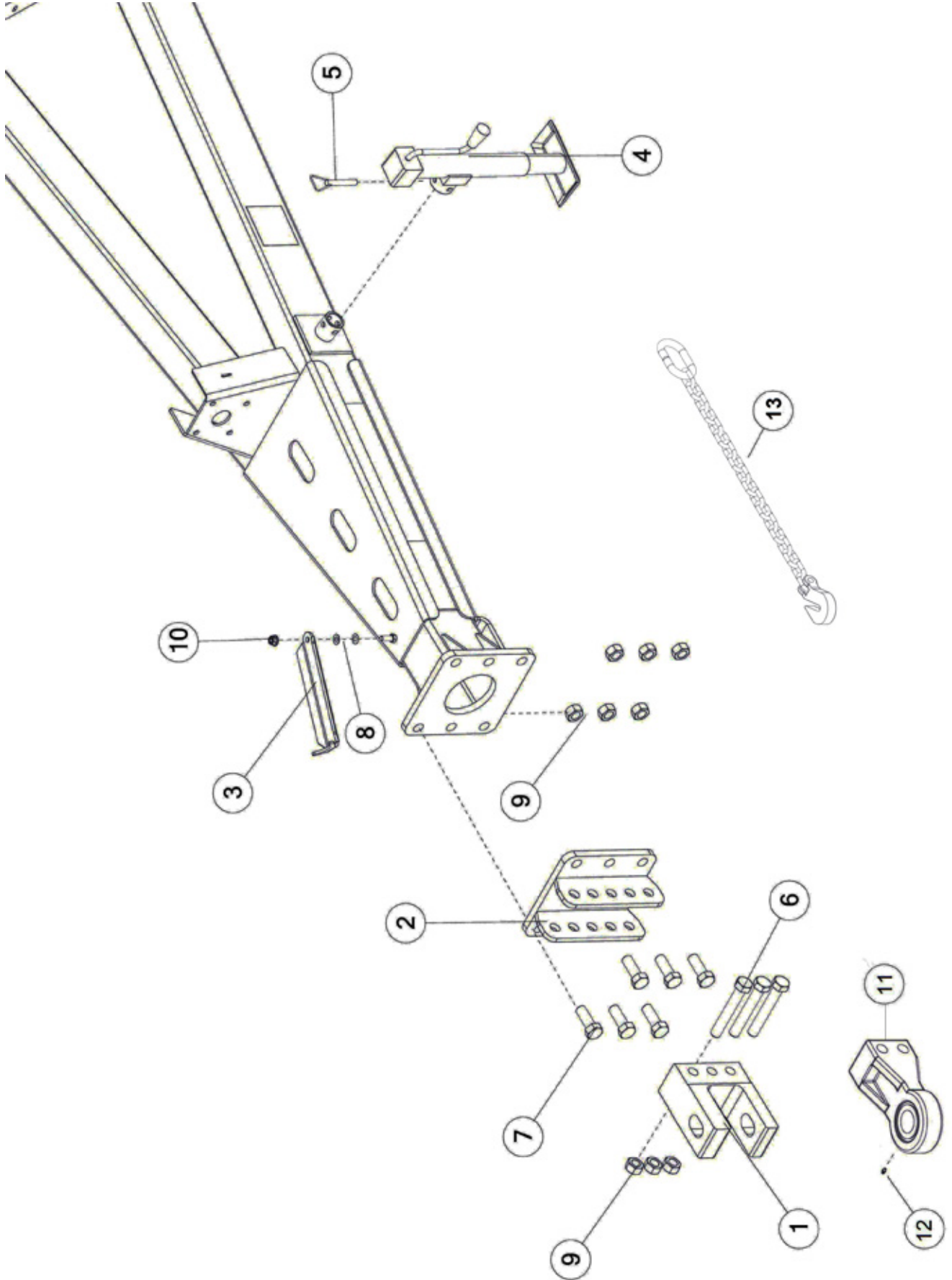
PLEASE RECORD NUMBERS FOR YOUR UNIT FOR QUICK REFERENCE

## **ABOUT IMPROVEMENTS**

H&S IS CONTINUALLY STRIVING TO IMPROVE ITS PRODUCTS

We must, therefore, reserve the right to make improvements or changes whenever it becomes practical to do so, without incurring any obligation to make changes or additions to the equipment previously sold.

# **FIGURE 1** **HITCH & COMPONENTS**

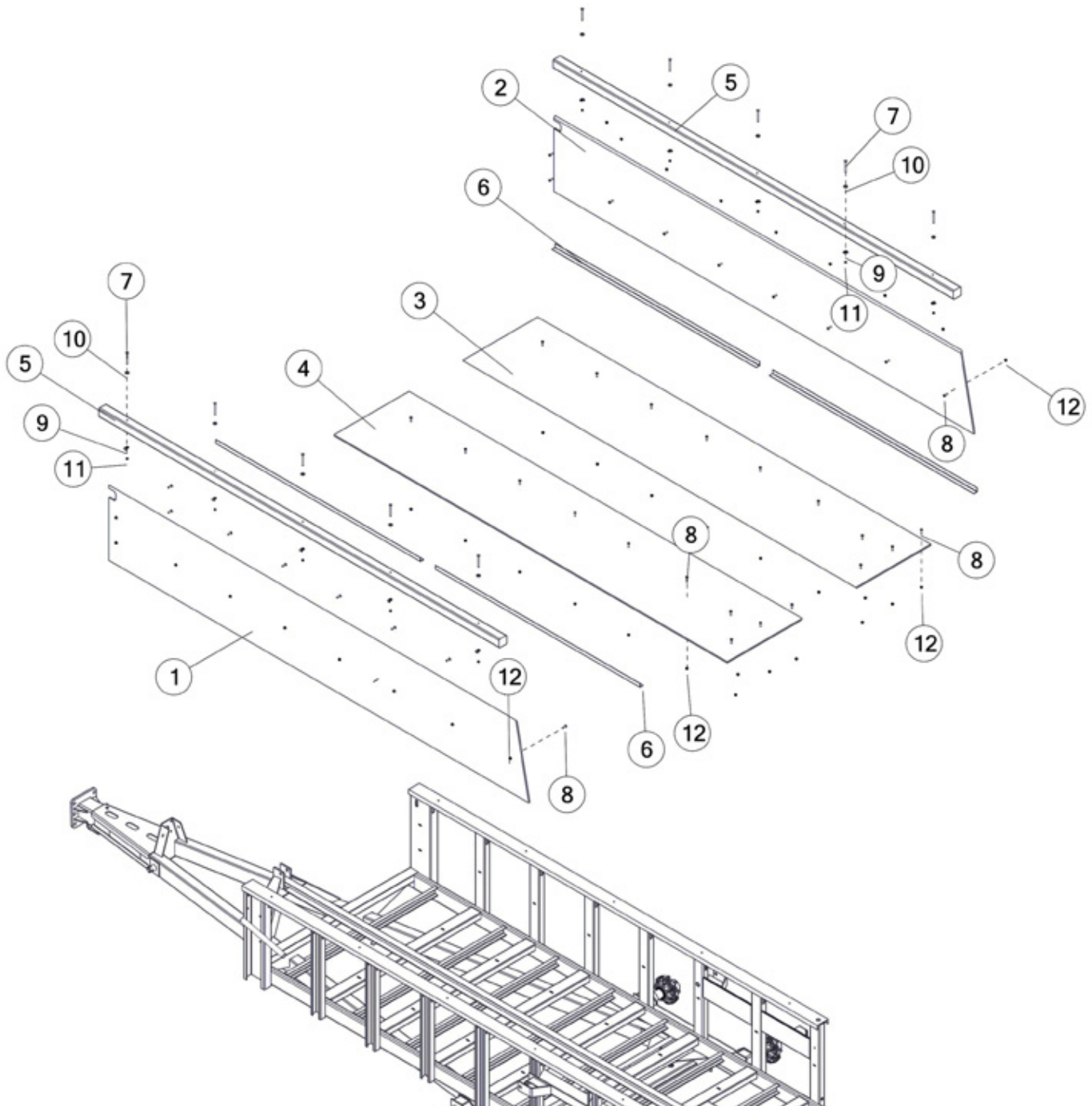


# FIGURE 1

## HITCH & COMPONENTS

<u>ITEM</u>	<u>QTY</u>	<u>PART#</u>	<u>DESCRIPTION</u>
1	1	56310	HEAVY CLEVIS OPTION
2	1	89538	HITCH MOUNT
3	1	42N2	PTO HOLDER
4	1	27N49	JACK W/MOUNT-5000# SW 10 LIFT
5	1	12N117	PIN, 0.56, 5.19, JACK
6	3	YBHH32028	BOLT HEX, 1-8 X 6-1/2 G8 ZY
7	6	YBHH32006	BOLT HEX, 1-8 X 2-3/4 G5
8	2	42N3	SPRING
9	9	YNL32005	NUT HEX, 1-8 LKTL C ZC
10	1	YNFG16003	NUT FLANGE, 1/2 GF
11	1	58290	ARTICULATING HITCH OPTION
12	1	G89	STRAIGHT ZERK, 1/4
13	1	SC40500	SAFETY CHAIN, 40,500 LB RATING, OPTIONAL

# **FIGURE 2** **FLOOR & SIDE COMPONENTS**

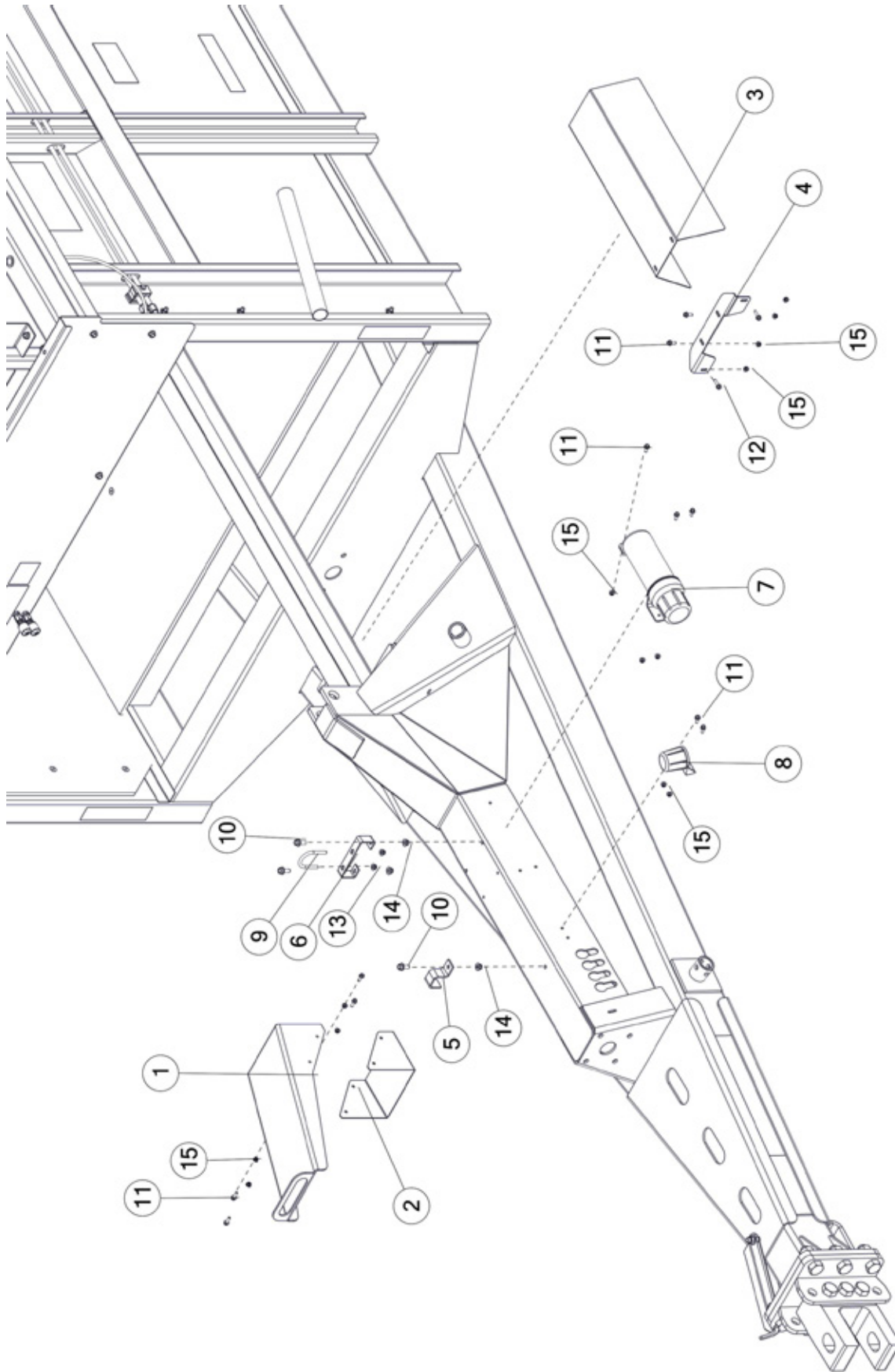


## FIGURE 2

### FLOOR & SIDE COMPONENTS

<u>ITEM</u>	<u>QTY</u>	<u>PART#</u>	<u>DESCRIPTION</u>
1	1	55N5	SIDE POLY LH
2	1	55N4	SIDE POLY RH
3	1	42N10	FLOOR POLY RH
4	1	42N11	FLOOR POLY LH
5	2	90592	POLY TOP RAIL
6	4	89814	POLY SIDE ANGLE
7	10	YBCR12105	BOLT CARRIAGE, FT, 3/8-16 X 4-1/2 G5 ZC
8	50	YSFS12016	BOLT FLAT SOK, 3/8-16X1-1/2 ZC
9	10	HGV162	CUSHION WIRE CLAMP, 1/2
10	10	YWFL16005	WASHER FLAT, 1/2 USS
11	10	YNHX12005	NUT HEX, 3/8-16 NAA ZC
12	50	YNFG12006	NUT FLANGE, 3/8 GF

**FIGURE 3**  
**PTO SHIELD & COMPONENTS**



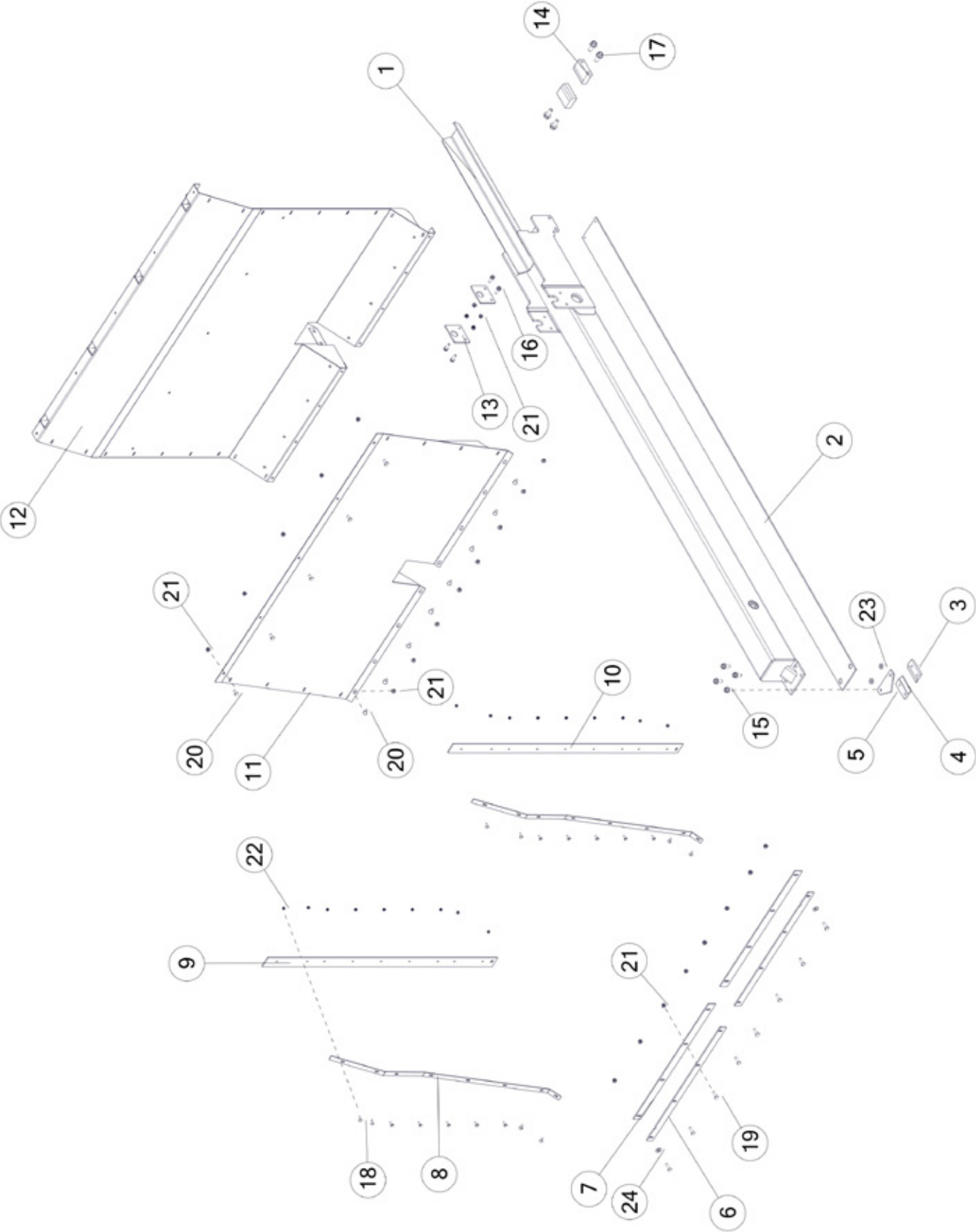


## **FIGURE 3**

### **PTO SHIELD & COMPONENTS**

<b><u>ITEM</u></b>	<b><u>QTY</u></b>	<b><u>PART#</u></b>	<b><u>DESCRIPTION</u></b>
1	1	90164	PTO SHIELD
2	1	90168	LOWER PTO SHIELD
3	1	89564	INPUT SHIELD
4	1	88927	INPUT SHIELD ANGLE
5	1	HE14	SMALL PIPE BRACKET
6	1	89639	HOSE HOLDER
7	1	S522	MANUAL HOLDER
8	1	CHM38	PLUG STORAGE
9	1	YBPU10007	PIPE U BOLT, 5/16 X 1-1/2
10	3	YBFB12003	BOLT FLANGE, 3/8 X 1 G5
11	11	YBFB08075	BOLT FLANGE, 1/4 X 3/4 G5
12	12	YBFB08100	BOLT FLANGE, 1/4 X 1 G5
13	2	YNFG10005	NUT FLANGE, 5/16 GF
14	3	YNFG12006	NUT FLANGE, 3/8 GF
15	13	YNFG08010	NUT FLANGE, 1/4 GF

**FIGURE 4**  
**PUSHER COMPONENTS**

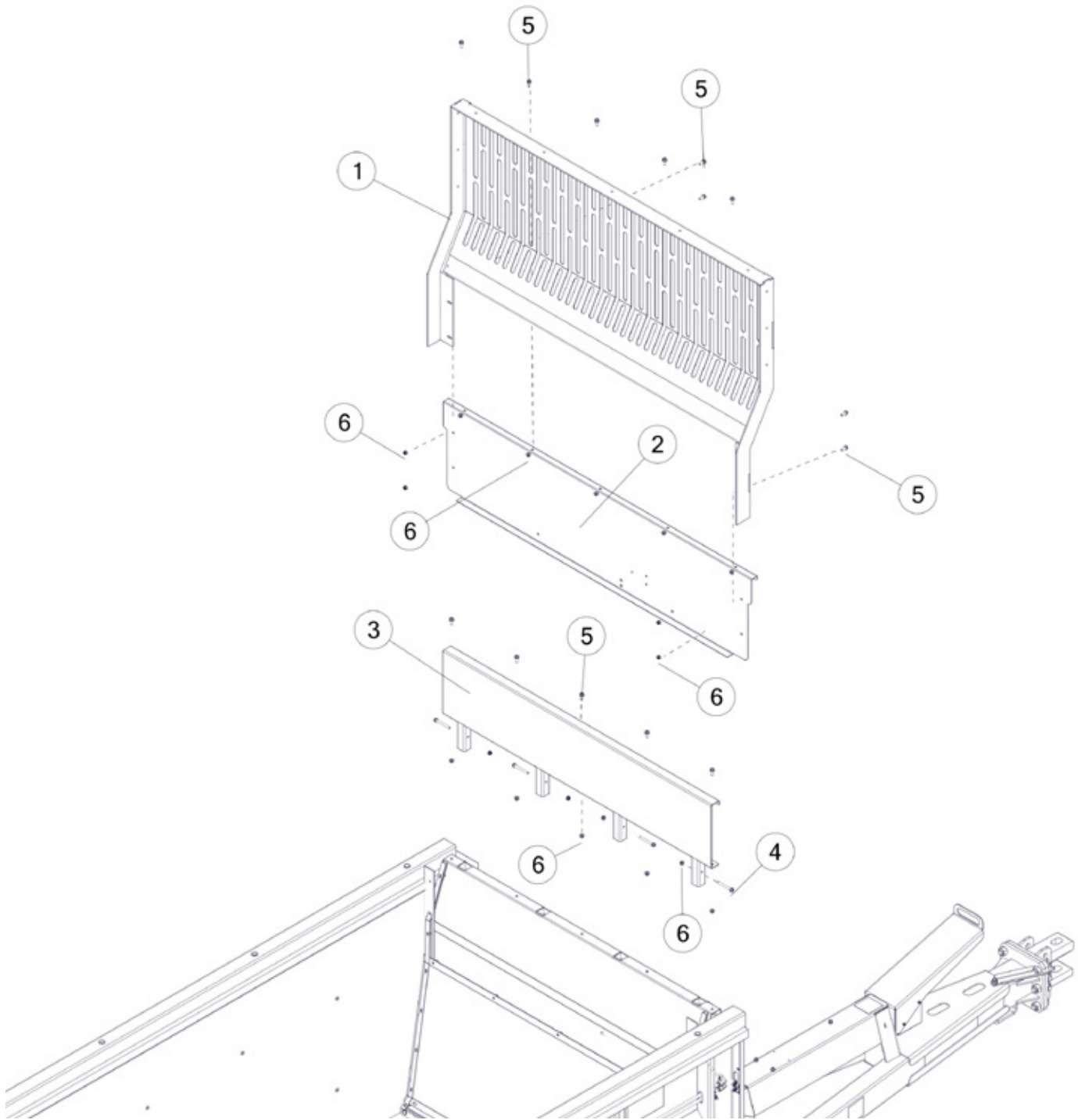


## **FIGURE 4**

### **PUSHER COMPONENTS**

<b><u>ITEM</u></b>	<b><u>QTY</u></b>	<b><u>PART#</u></b>	<b><u>DESCRIPTION</u></b>
1	1	55N44	MOVEABLE FLOOR
2	1	55N85	PUSHER TUBING SLIDE
3	1	55N48	END CAP CLAMP RH
4	1	55N49	END CAP CLAMP LH
5	1	55N86	SCRAPER
6	2	55N81	PUSHER WIPER
7	2	55N83	PUSHER BOTTOM RUBBER
8	2	HGV114	FLAT PUSHER SEAL STRAP
9	1	55N27	PUSHER RUBBER LEFT
10	1	55N28	PUSHER RUBBER RIGHT
11	1	HGV113	FLAT PUSHER FACE
12	1	90095	PUSHER FRAME
13	2	55N47	CYLINDER RETAINER
14	2	55N46	PUSHER FRONT GUIDE
15	4	YBFB16125	BOLT FLANGE, 1/2 X 1-1/4 G5
16	4	YBFB12125	BOLT FLANGE, 3/8 X 1-1/4 G5
17	4	YBFB20150	BOLT FLANGE, 5/8 X 1-1/2 G5
18	18	YBCR08005	BOLT CARRIAGE, 1/4-20 X 1 G5 ZC
19	8	YBCR12015	BOLT CARRIAGE, 3/8-16 X 1-1/2 G5 ZC
20	13	YBCR12010	BOLT CARRIAGE, 3/8-16 X 1 G5 ZC
21	25	YNFG12006	NUT FLANGE, 3/8 GF
22	18	YNFG08010	NUT FLANGE, 1/4 GF
23	2	42N150	POLY SPACER
24	2	YWFL14005	WASHER FLAT, 7/16 USS ZINC

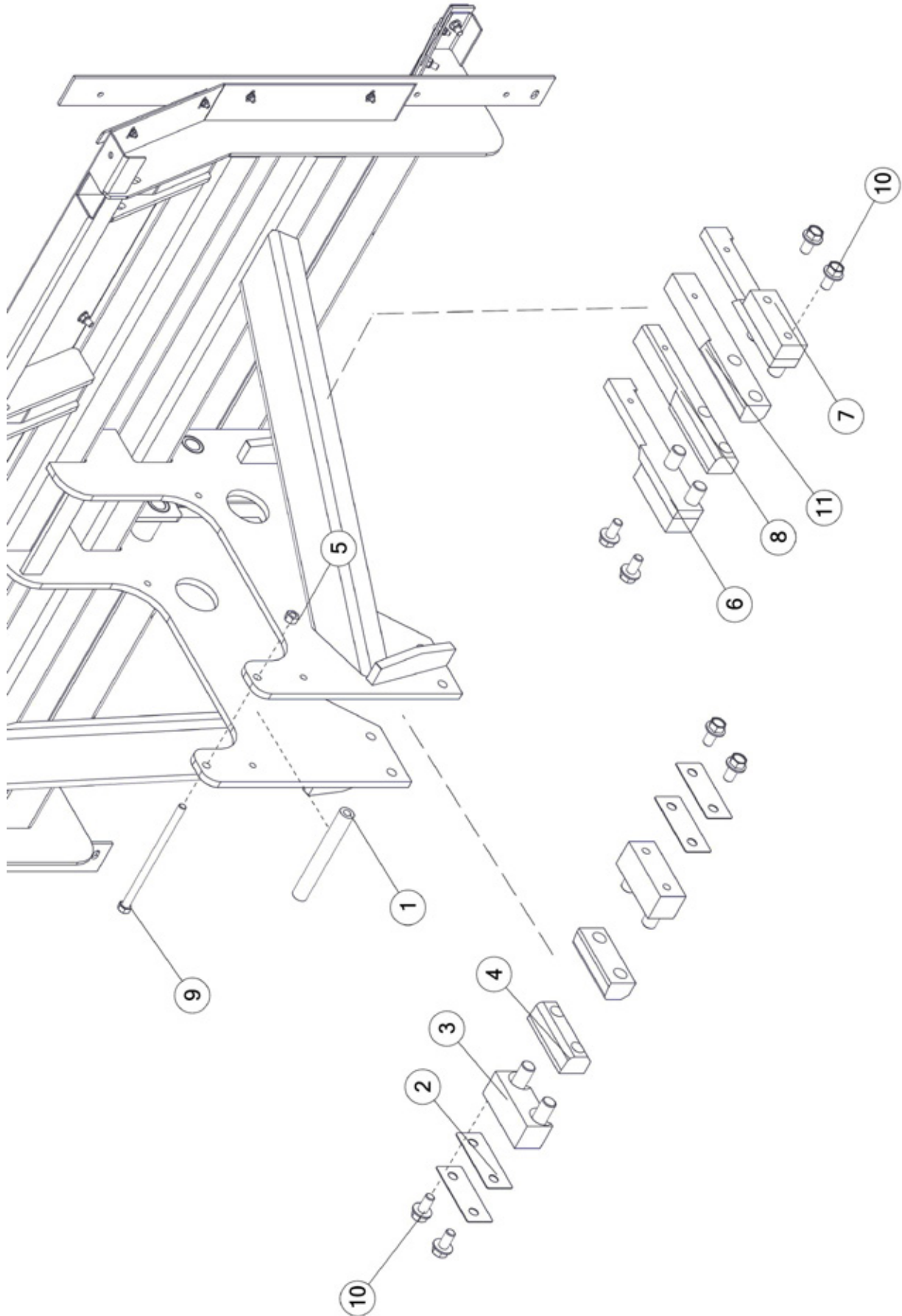
# **FIGURE 5** **PUSHER EXTENSION & COMPONENTS**



**FIGURE 5**  
**PUSHER EXTENSION & COMPONENTS**

<b><u>ITEM</u></b>	<b><u>QTY</u></b>	<b><u>PART#</u></b>	<b><u>DESCRIPTION</u></b>
1	1	88863	STONE GUARD
2	1	89640	FRONT PANEL
3	1	90065	PUSHER EXTENSION
4	4	YBFB12350	BOLT FLANGE, 3/8 X 3-1/2 G5
5	14	YBFB12003	BOLT FLANGE, 3/8 X 1 G5
6	18	YNFG12006	NUT FLANGE, 3/8 GF

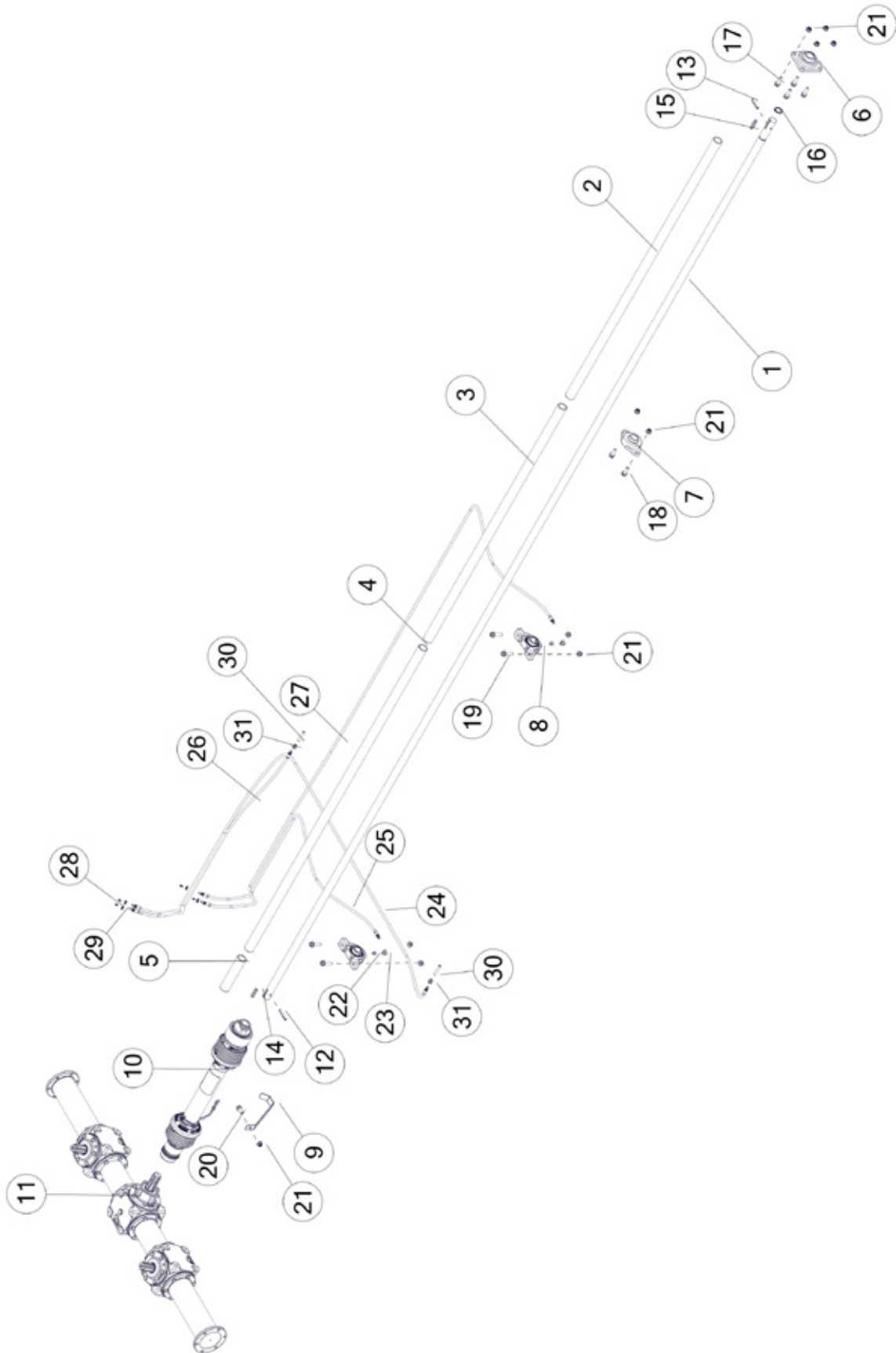
# **FIGURE 6** **PUSHER SPACERS & COMPONENTS**



**FIGURE 6**  
**PUSHER SPACERS & COMPONENTS**

<b><u>ITEM</u></b>	<b><u>QTY</u></b>	<b><u>PART#</u></b>	<b><u>DESCRIPTION</u></b>
1	1	55N59	PUSHER SPACER
2	4	42N114	PUSHER SHIM
3	2	55N52	POLY BLOCK SPACER FRONT
4	2	55N53	PUSHER POLY SLIDE
5	1	YNL16005	NUT HEX, TOP LOCK, 1/2 G5
6	1	55N54	POLY BLOCK EXTENSION RH
7	1	55N57	POLY BLOCK EXTENSION LH
8	1	55N55	PUSHER POLY SLIDE RH
9	1	YBHH16200	BOLT HEX, 1/2-13 X 10 G5 ZC
10	8	YBFB20125	BOLT FLANGE, 5/8 X 1-1/4 G5
11	1	55N56	PUSHER POLY SLIDE LH

# **FIGURE 7** **GEARBOX DRIVE & COMPONENTS**



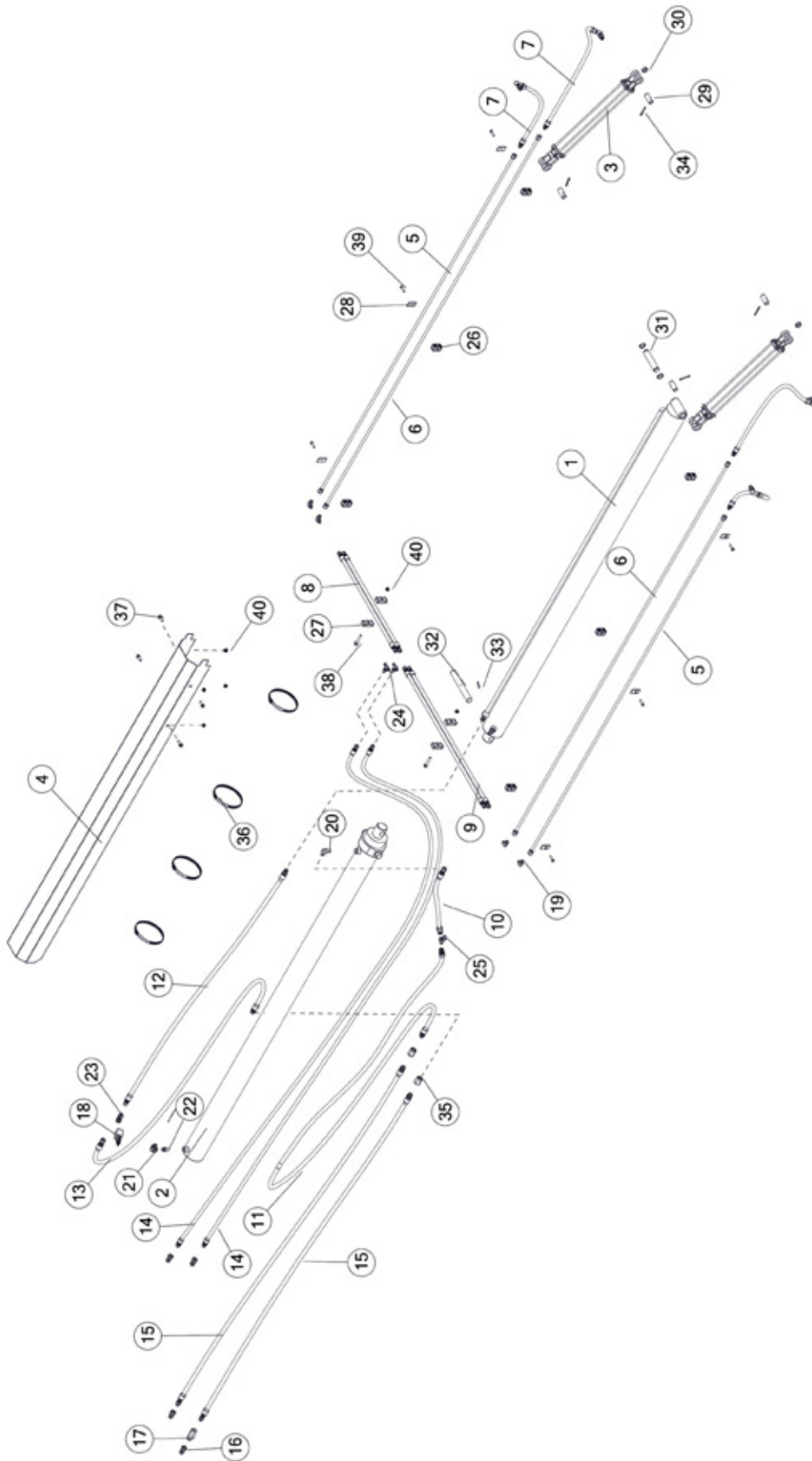


## FIGURE 7

### GEARBOX DRIVE & COMPONENTS

<u>ITEM</u>	<u>QTY</u>	<u>PART#</u>	<u>DESCRIPTION</u>
1	1	87954	INPUT SHAFT
2	1	42N16	INPUT PVC SHIELD
3	1	42N19	DRIVE SHAFT CENTER PVC SHIELD
4	1	89518	DRIVE SHAFT MIDDLE PVC SHIELD
5	1	87955	DRIVE SHAFT BACK PVC SHIELD
6	1	12V99	BEARING, 5.13 X 1.50 X 2.02, FLANGE
7	1	42N18	PILLOW BLOCK BEARING W/STRAIGHT, 1-1/2
8	2	60659	BEARING
9	1	90511	PTO HOLDER
10	1	87914	COMPLETE PTO 1-3/4 1000 RPM
11	1	89999	VERTICAL BEATER GEARBOX ASSEMBLY
12	1	YPEX12025	EXPANSION PIN, 3/8 X 2-3/4
13	1	YPEX12023	EXPANSION PIN, 3/8 X 2-1/2
14	1	PB87	SQUARE KEY, 3/8 X 2
15	1	S138	SQUARE KEY, 3/8 X 2-3/8
16	1	12V62	HEAVY DUTY EXTERNAL SNAP RING, 1.50"
17	4	YBFB16175	BOLT FLANGE, 1/2 X 1-3/4 G5
18	2	YBFB16150	BOLT FLANGE, 1/2 X 1-1/2 G5
19	4	YBFB16200	BOLT FLANGE, 1/2 X 2 G5
20	1	YBFB16125	BOLT FLANGE, 1/2 X 1-1/4 G5
21	11	YNFG16003	NUT FLANGE, 1/2 GF
22	2	TS323	FITTING STRAIGHT, 1/4-28, 1/8-27NPT
23	2	58453	FITTING, 90, 1/8NPT, 1/8NPT
24	1	89728	GREASE HOSE, 3, 134
25	1	89723	GREASE HOSE, 3, 77
26	1	89730	GREASE HOSE, 3, 65
27	1	89725	GREASE HOSE, 3, 161
28	4	G89	STRAIGHT ZERK, 1/4-28
29	4	YNJM04005	NUT JAM, 1/8 A
30	1	88827	FITTING STRAIGHT, 1/8NPT, 1/8NPT
31	1	66077	NIPPLE, 1/8 MALE PIPE X 2-1/2

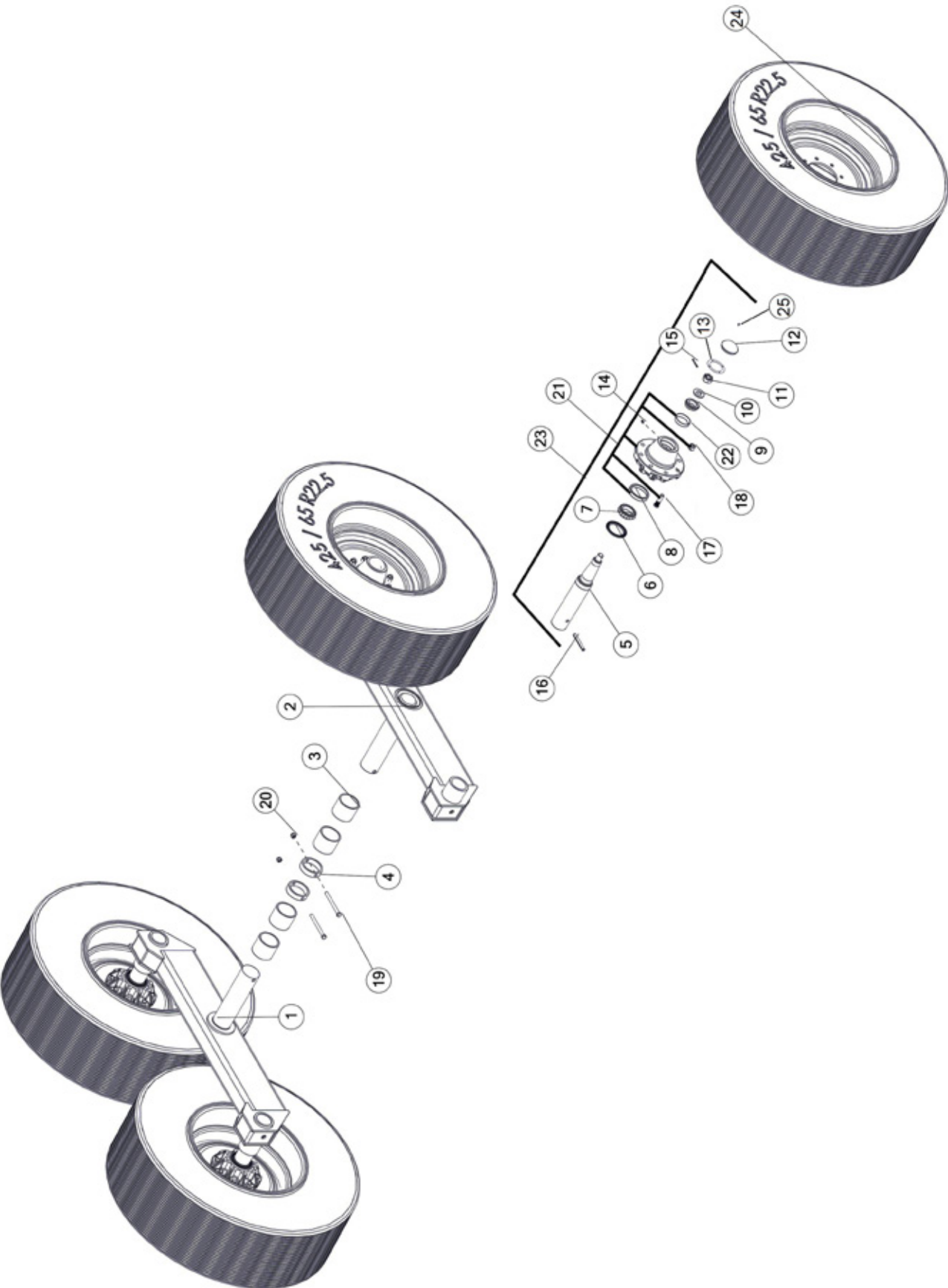
# FIGURE 8 HYDRAULICS



## FIGURE 8 HYDRAULICS

<u>ITEM</u>	<u>QTY</u>	<u>PART#</u>	<u>DESCRIPTION</u>
1	1	55N33	HYDRAULIC CYLINDER, TRUNNION 4.5 X 90
2	1	55N32	HYDRAULIC CYLINDER, GIMBAL 4.5 X 90
3	2	90970	HYDRAULIC CYLINDER, 2 X 20
4	1	88870	CYLINDER SHIELD
5	2	90973	HYDRAULIC TUBE, 1/2 X 108
6	2	89070	HYD TUBE, 1/2 X 10 FT
7	4	90972	HYDRAULIC HOSE, 6, 36
8	2	89635	HYDRAULIC HOSE, 6, 32IN
9	2	89632	HYDRAULIC HOSE, 6, 45IN
10	1	89654	HYDRAULIC HOSE, 8, 21IN
11	1	89665	HYDRAULIC HOSE, 8, 160IN
12	1	89652	HYDRAULIC HOSE, 8, 76IN
13	1	89659	HYDRAULIC HOSE, 8, 84IN
14	2	89629	HYDRAULIC HOSE, 6, 182IN
15	2	89662	HYDRAULIC HOSE, 8, 110IN
16	4	67148	FTG, ST, 8ORB, QUICK COUPLER TIP
17	1	89576	HYDRAULIC VALVE, CHECK
18	1	89573	HYDRAULIC VALVE, SEQUENCE
19	4	58187	FITTING 8-6 ETX-S
20	1	58189	FITTING, 90, 8JIC X 1/2NPT
21	1	1056	-8 ORB TO -8 ORB 90 DEG
22	1	TFM89	FITTING, STRAIGHT, 8ORB X 1/2NPT
23	1	89643	FITTING T, 8 JIC, 8 JIC, 8 ORB
24	1	8005	FITTING TEE, 8JIC X 8JIC X 8JIC, BULKHEAD
25	1	TS139	FITT T, 8JIC, 8JIC, 8JIC
26	6	TS118	LINE CLAMP BLOCK ( PART OF T2008S)
27	4	86567	DOUBLE CLAMP, UNIVERSAL
28	6	56563	CLAMP TOP PLATE
29	4	56N141	CYLINDER PIN
30	2	K132	SPACER, 3/8 LONG
31	1	55N50	REAR CYLINDER PIN
32	1	55N34	CYLINDER PIN
33	1	YPCT05025	COTTER PIN, 5/32 X 2
34	4	YPCT07005	COTTER PIN, 7/32 X 2
35	2	90154	FITTING STRAIGHT, 10ORB, 10ORB
36	1	55N66	HOSE CLAMP SAE #104
37	4	YBFB12125	BOLT FLANGE, 3/8 X 1-1/4 G5
38	2	YBFB12250	BOLT FLANGE, 3/8 X 2-1/2 G5
39	6	56568	CLAMP BOLT 5/16-18 x 1-3/8
40	6	YNFG12006	NUT FLANGE, 3/8 GF

**FIGURE 9**  
**TANDEM AXLE AND WHEEL COMPONENTS**



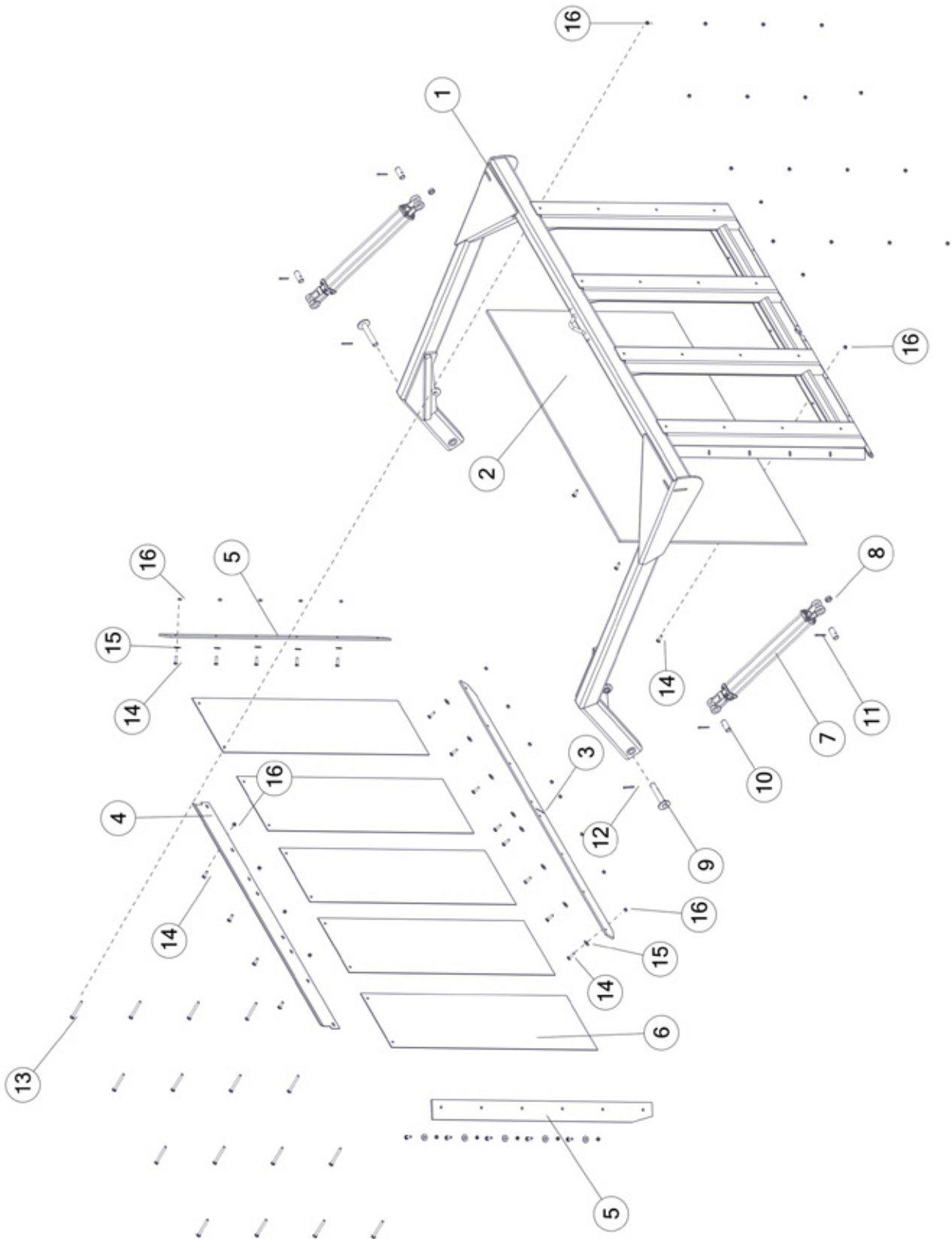
## FIGURE 9

### TANDEM AXLE AND WHEEL COMPONENTS

<u>ITEM</u>	<u>QTY</u>	<u>PART#</u>	<u>DESCRIPTION</u>
1	1	55N3	TANDEM AXLE RH
2	1	55N2	TANDEM AXLE LH
3	4	70157	BUSHING, NYLATRON, 4-1/2 OD X 4 ID X 3-1/4
4	2	16SV214	AXLE MOUNT COLLAR
5	4	66N15	SPINDLE
6	4	60N5	SEAL
7	4	54505	INNER BEARING KOYO
8	4	54504	INNER RACE KOYO
9	4	54506	OUTER BEARING KOYO
10	4	60N2	SPINDLE WASHER
11	4	YNCA36005	NUT HEX, CASTLE, 1-1/4
12	4	60N11	HUB CAP
13	4	56234	HUB CAP GASKET
14	4	BFR28	GREASE ZERK 1/8 NPT
15	4	YPCT07005	COTTER PIN, 7/32 X 2
16	4	YPEX16020	EXPANSION PIN, 1/2 X 4
17	40	YBSD24010	BOLT STUD, 3/4 UNF X 2-3/4
18	40	YNWL24005	NUT FLANGE , 3/4 G8
19	2	YBHH16165	BOLT HEX, 1/2 X 6 G5
20	2	YNNY16005	NUT HEX, NYLON LOCKNUT, 1/2
21	4	33SV45	HUB W/RACES & STUDS
22	4	54503	OUTER RACE
23	4	HGAS15	HUB & SPINDLE ASSEMBLY - 550HB, 550VB
24	1	TWP42510S	(4) 425 X 22.5 USED TRUCK TIRES W/ SILVER 10 BOLT RIMS
*	4	90195	ASSEMBLY, WHEEL AND TIRE
*	4	90188	WHEEL, 22.5 X 13.0 10 BOLT SILVER
*	4	16SV88	TIRE, 425 X 22.5
*	4	72438	VALVE STEM, 1-1/2
24	1	TWP480S	(4) 480/55R X 22.5 TIRES W/ SILVER 10 BOLT RIMS
*	4	90194	ASSEMBLY, TIRE AND WHEEL
*	4	90189	WHEEL, 22.5 X AG16 10 BOLT SILVER
*	4	77558	TIRE, 480/55R22.5
*	4	72436	VALVE STEM, 1-1/2
25	16	YBHH10020	BOLT HEX, 5/16 X 1/2 G5

\* NOT SHOWN

# FIGURE 10 ENDGATE & COMPONENTS

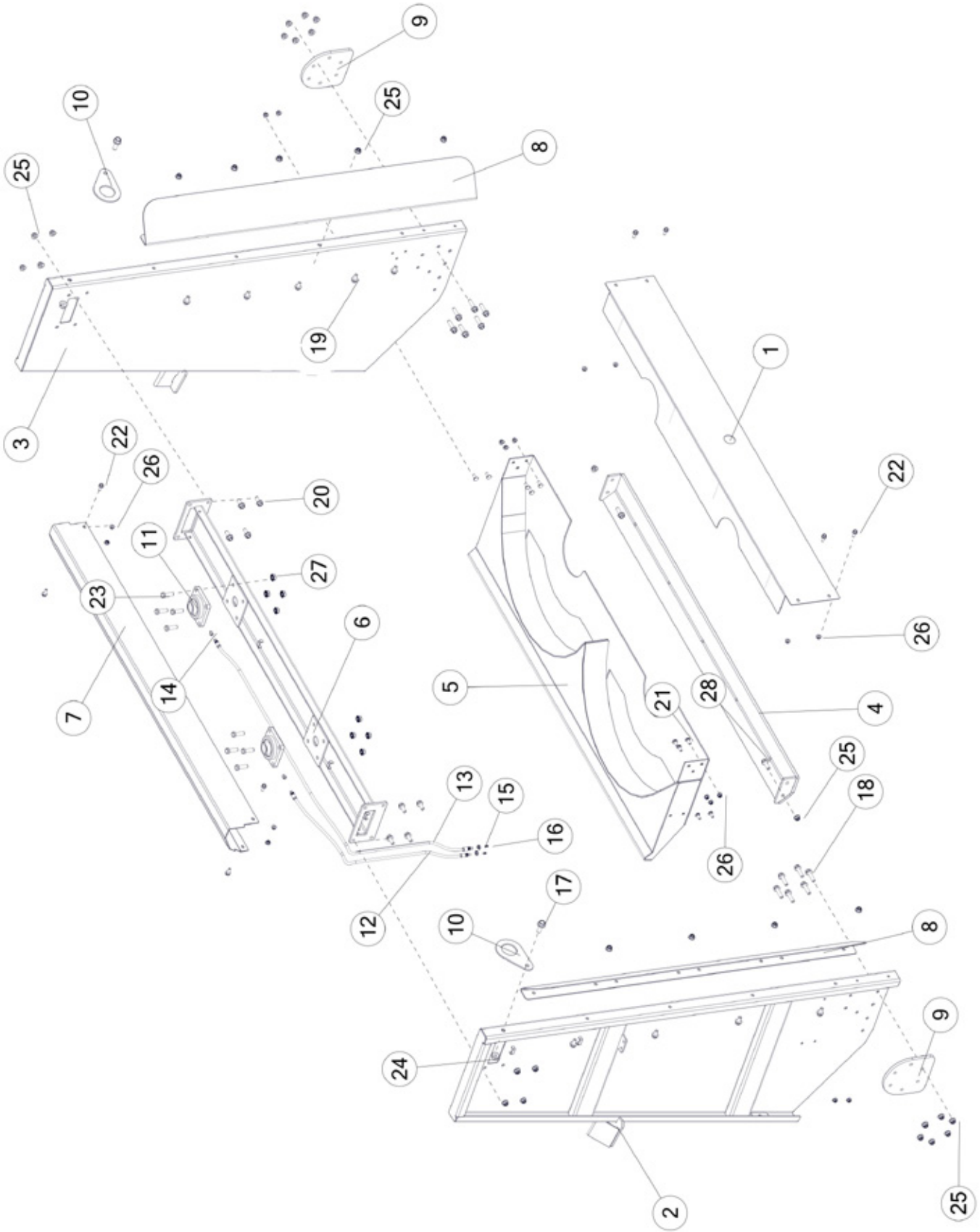


## FIGURE 10

### ENDGATE & COMPONENTS

<u>ITEM</u>	<u>QTY</u>	<u>PART#</u>	<u>DESCRIPTION</u>
1	1	55N9	ENDGATE
2	1	55N15	ENDGATE POLY
3	5	55N14	ENDGATE RUBBER
4	1	89823	ENDGATE POLY HOLD DOWN
5	1	55N13	ENDGATE RUBBER, LH
6	1	55N88	ENDGATE CURTAIN BELTING
7	1	90970	HYDRAULIC CYLINDER, 2 X 20
*	1	23N142A	CLEVIS CAP
*	1	56174	ROD CAP
*	1	45N43	CYLINDER TUBE
*	2	23N149	PLUG
*	4	45N44	TIE ROD
*	1	56180	PISTON
*	1	45N42	CYLINDER ROD
*	1	23N150A	ROD CLEVIS
*	1	YSSO12015	SET SCREW SOCKET, 3/8 X 3/8
*	1	23N148	PISTON NUT
*	1	56187	SEAL KIT
*	8	YNHX12006	NUT HEX, 3/8 G2
8	2	K132	SPACER, 3/8 LONG
9	2	55N10	ENDGATE PIVOT PIN
10	1	56N141	SHAFT, RND, 1 X 2-1/2, PIN, CYLINDER
11	2	YPCT07005	COTTER PIN, 7/32 X 2
12	4	YPEX12020	EXPANSION PIN, 3/8 X 2
13	2	YBCR12105	BOLT CARRIAGE, FT, 3/8-16 X 4-1/2 G5 ZC
14	6	YBCR12015	BOLT CARRIAGE, 3/8-16 X 1-1/2 G5 ZC
15	27	YWFL16005	WASHER, FLAT, 1/2 USS
16	20	YNHX12005	NUT HEX, 3/8-16 NAA ZC

# FIGURE 11 BEATER PANELS & COMPONENTS



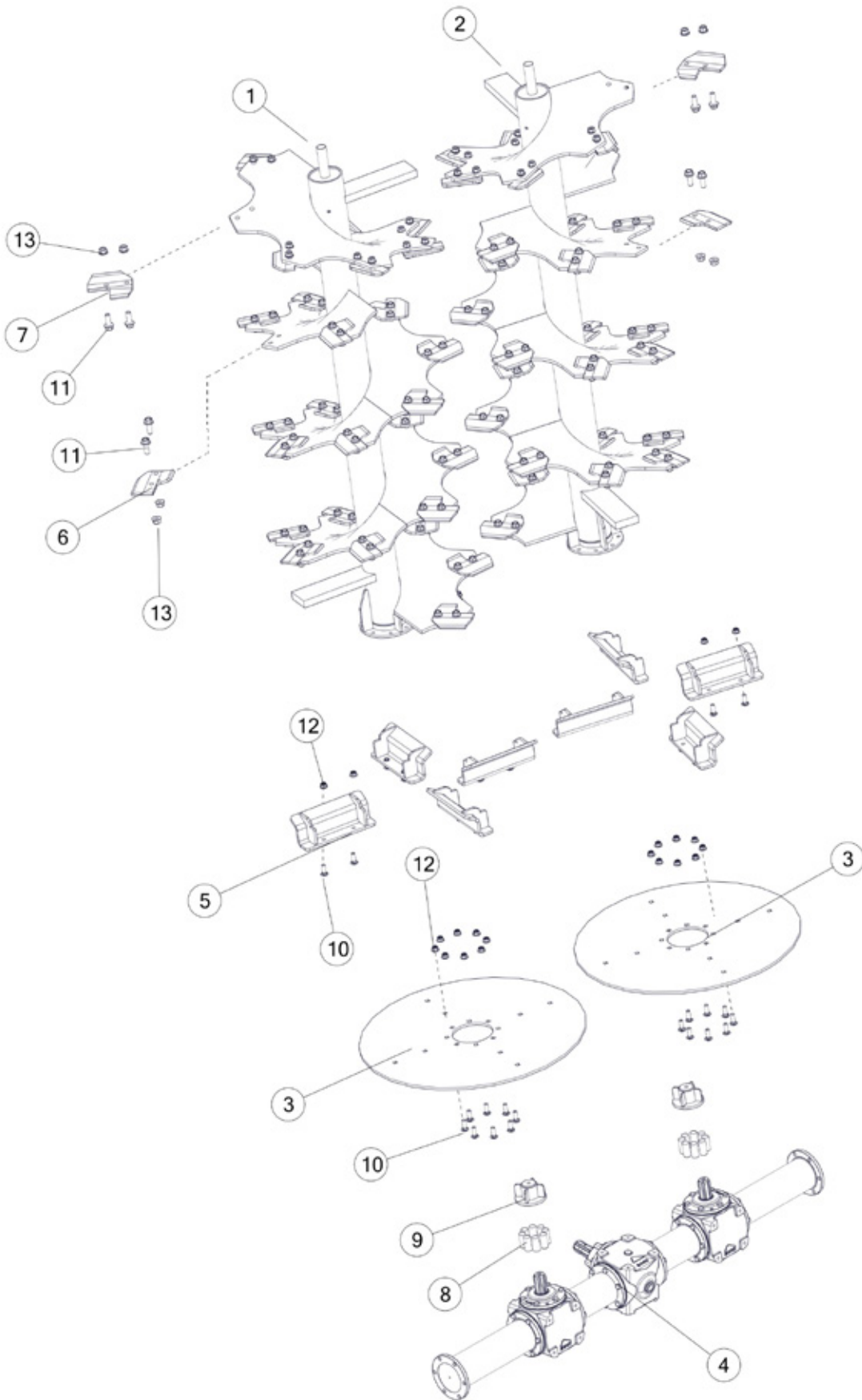


# FIGURE 11

## BEATER PANELS & COMPONENTS

<u>ITEM</u>	<u>QTY</u>	<u>PART#</u>	<u>DESCRIPTION</u>
1	1	87691	GEARBOX COVER
2	1	88878	BEATER PANEL LH
3	1	88883	BEATER PANEL RH
4	1	90870	BEATER SKID PLATE
5	1	87622	BEATER PAN
6	1	87578	UPPER BEARING MOUNT
7	1	87579	BEARING SHIELD
8	2	90248	BEATER DEFLECTOR
9	2	87568	BEATER SUPPORT LEG
10	2	HGV50	LIFTING EYE
11	2	12V99	BRG, 5.13 X 1.50 X 2.02, FLANGE
12	1	89747	GREASE HOSE, 3, 97
13	1	89744	GREASE HOSE, 3, 62
14	2	TS323	FITTING STRAIGHT, 1/4-28, 1/8-27NPT
15	2	YNJM04005	NUT, JAM, 1/8 A
16	2	G89	STRAIGHT ZERK, 1/4-28
17	2	YBFB20175	BOLT FLANGE, 5/8 X 1-3/4 G5
18	12	YBFB16200	BOLT FLANGE, 1/2 X 2 G5
19	10	YBFB16100	BOLT FLANGE, 1/2 X 1 G5
20	8	YBFB16125	BOLT FLANGE, 1/2 X 1-1/4 G5
21	6	YBCR12010	BOLT CARRIAGE, 3/8-16 X 1 G5 ZC
22	8	YBFB12003	BOLT FLANGE, 3/8 X 1 G5
23	8	YBHH18010	BOLT HEX, 9/16 X 1-3/4 G5 ZINC
24	2	YNFG20005	NUT FLANGE, 5/8-11 LKTL F ZC
25	24	YNFG16003	NUT FLANGE, 1/2 GF
26	8	YNFG12006	NUT FLANGE, 3/8 GF
27	8	YNSF18005	NUT FLANGE, 9/16-12 LKSF CH ZC
28	2	YBFB16150	BOLT FLANGE, 1/2 X 1-1/2 G5

# **FIGURE 12** **BEATERS & COMPONENTS**

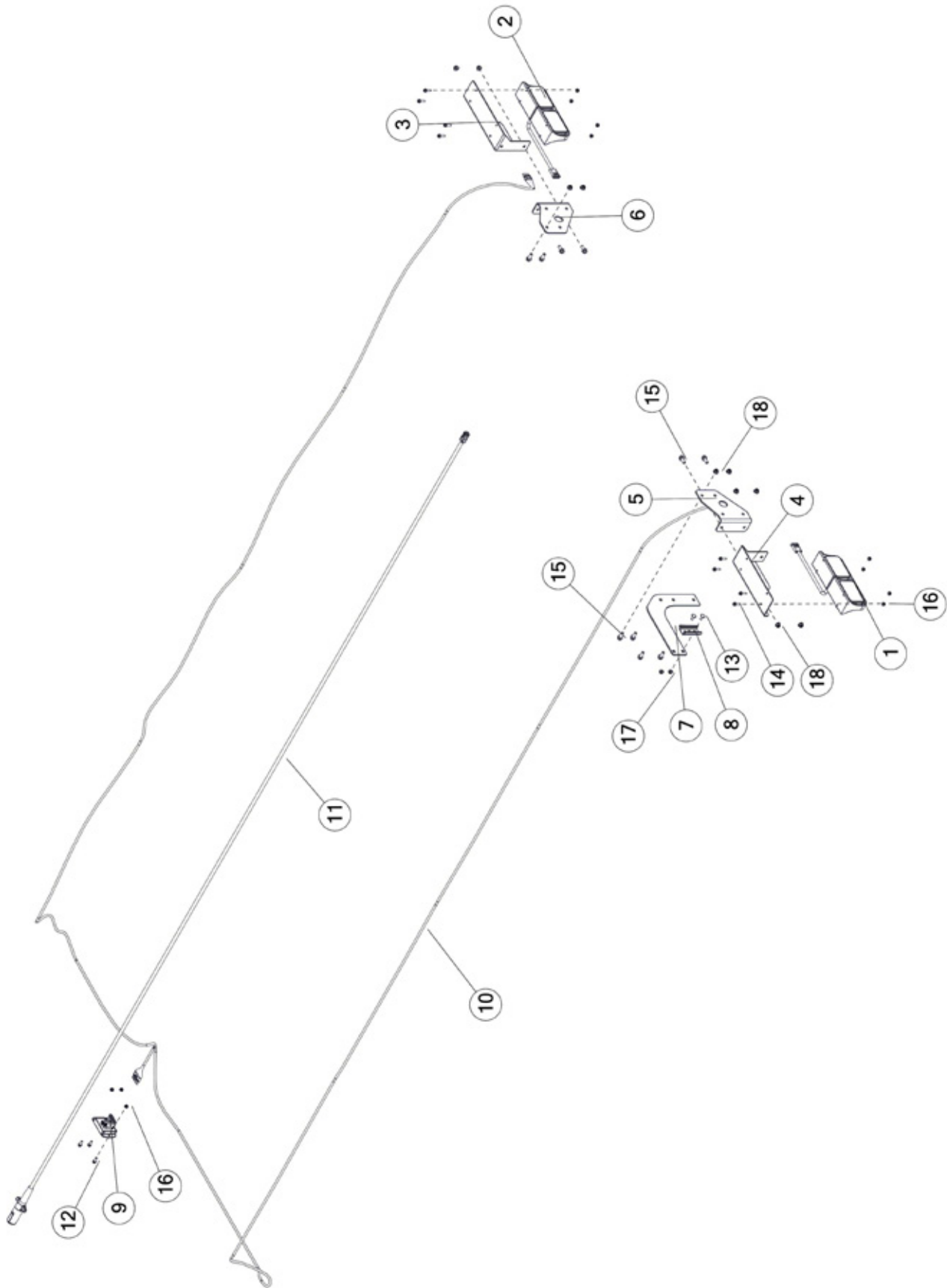


## FIGURE 12

### BEATERS & COMPONENTS

<u>ITEM</u>	<u>QTY</u>	<u>PART#</u>	<u>DESCRIPTION</u>
1	1	87960	BEATER WLDMT, LH
2	1	87963	BEATER WLDMT, RH
3	2	87538	BEATER DISK
4	1	89999	VERTICAL BEATER GEARBOX ASSEMBLY
5	8	87596	SPINNER BLADE WLDMT
6	28	HGV122	BEATER BLADE, LH
7	28	HGV123	BEATER BLADE, RH
8	16	87886	POLY ROD
9	2	87559	GEARBOX SPLINE COUPLER
10	32	YBCR16010	BOLT CARRIAGE, 1/2-13 X 1-1/2 G5 ZC
11	112	YBFB20175	BOLT FLANGE, 5/8 X 1-3/4 G5
12	32	YNFG16003	NUT FLANGE, 1/2 GF
13	112	YNFG20005	NUT FLANGE, 5/8-11 LKTL F ZC

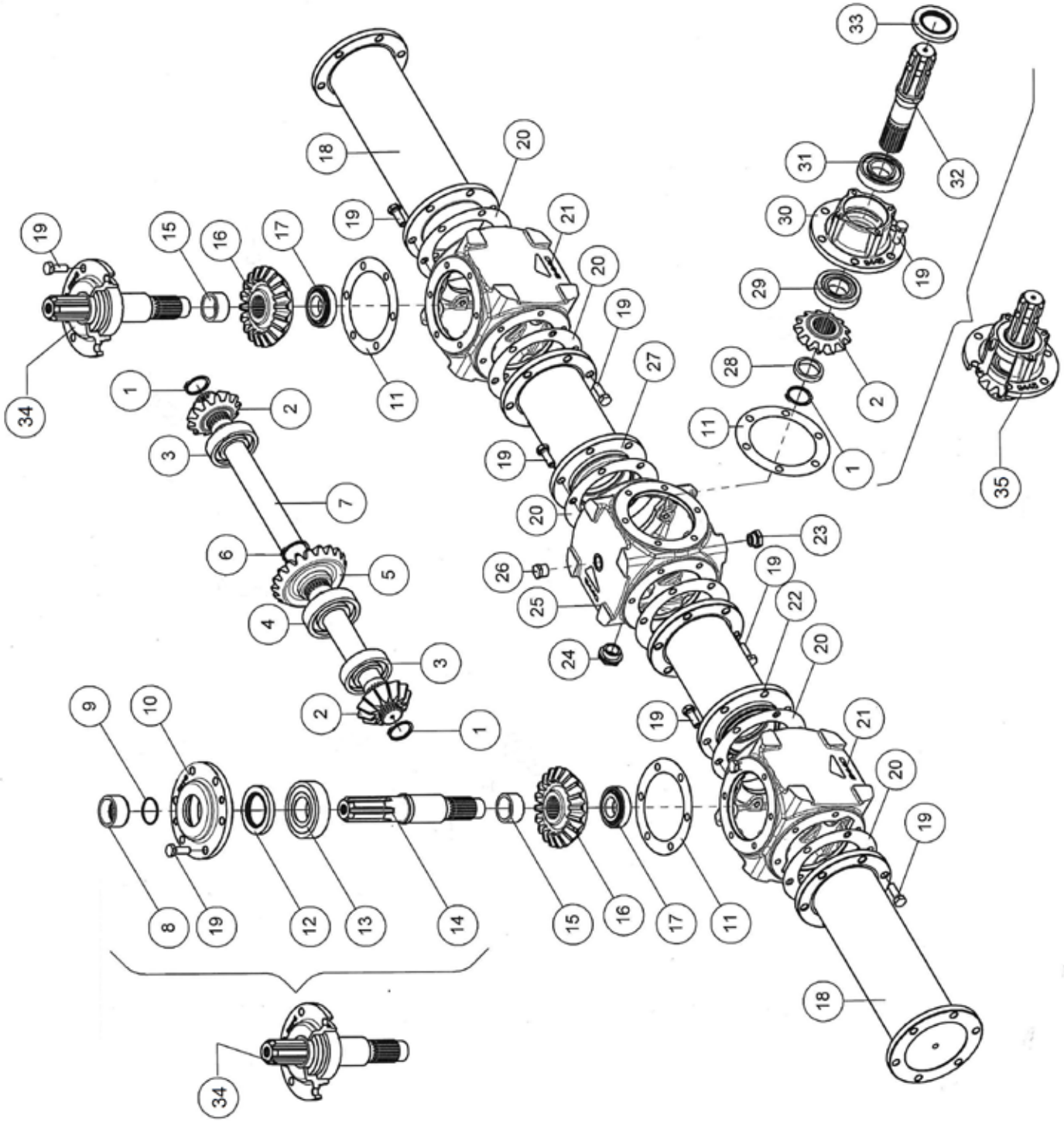
**FIGURE 13**  
**LIGHTS**



## FIGURE 13 LIGHTS

<u>ITEM</u>	<u>QTY</u>	<u>PART#</u>	<u>DESCRIPTION</u>
1	1	TFM71	TAIL LIGHT, LH
2	1	TFM72	LED TAIL LIGHT ASSY, RH
3	1	90915	LIGHT BRACKET, RH
4	1	90914	LIGHT BRACKET, LH
5	1	90917	LIGHT BRACKET MOUNT, LH
6	1	90918	LIGHT BRACKET MOUNT, RH
7	1	42N43	SMV BRACKET
8	1	F97	SMV HOLDER
9	1	69908	MODULE, CONTROL, BLINKER
10	1	90927	ELECTRICAL HARNESS, TAILLIGHTS
11	1	1140	LIGHT HARNESS
12	3	YBFB08075	BOLT FLANGE, 1/4 X 3/4 G5
13	2	YBCR10030	BOLT CARRIAGE, 5/16-18 X 3/4 G5 ZC
14	8	YBFB08100	BOLT FLANGE, 1/4 X 1 G5
15	10	YBFB12003	BOLT FLANGE, 3/8 X 1 G5
16	11	YNFG08010	NUT FLANGE, 1/4 GF
17	2	YNFG10005	NUT FLANGE, 5/16 GF
18	10	YNFG12006	NUT FLANGE, 3/8 GF

**FIGURE 14**  
**BEATER GEARBOX ASSEMBLY**

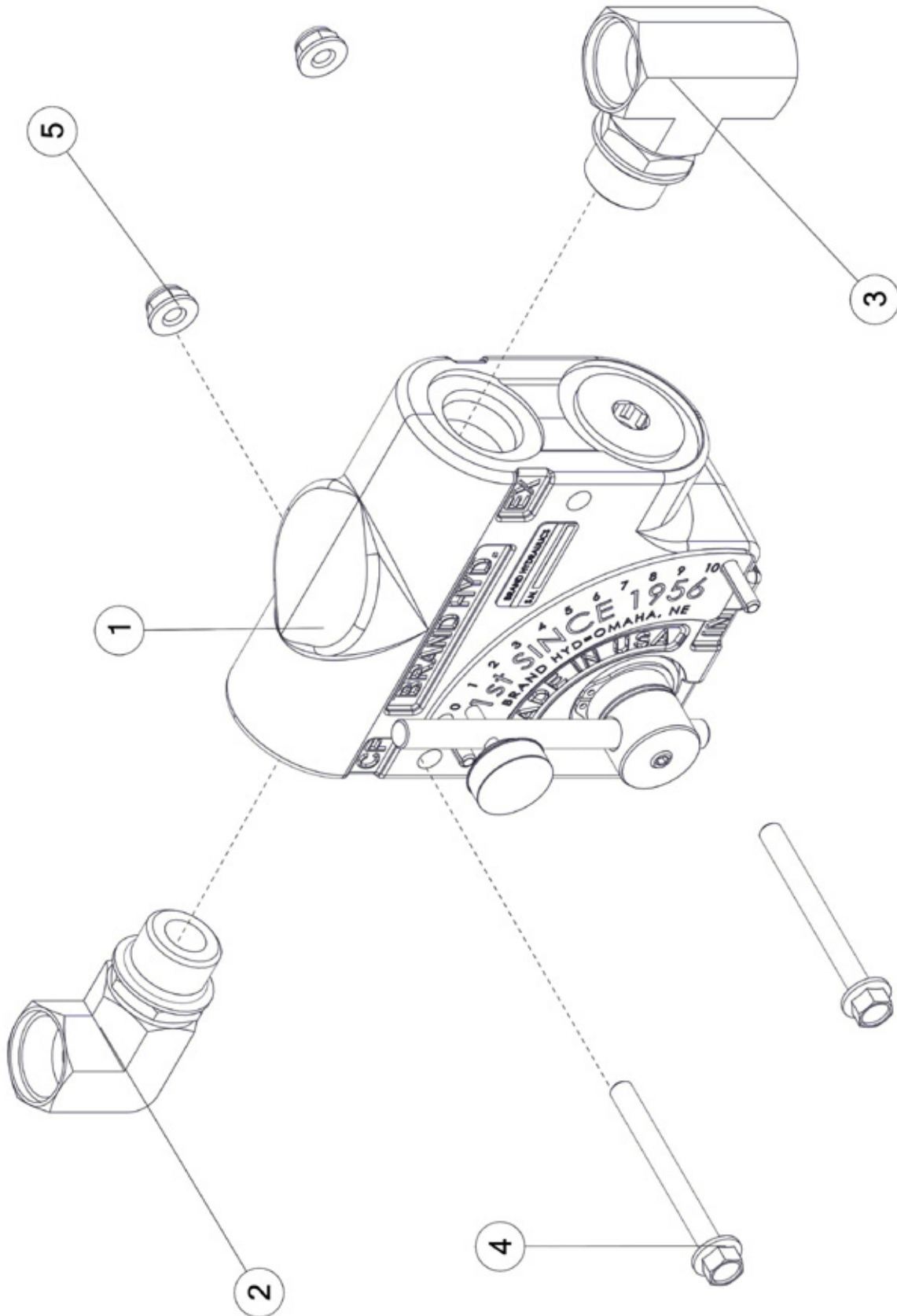


## FIGURE 14

### BEATER GEARBOX ASSEMBLY

<u>ITEM</u>	<u>QTY</u>	<u>PART#</u>	<u>DESCRIPTION</u>
1	3	89837	SNAP RING
2	3	89838	GEAR
3	2	89839	BEARING
4	1	89840	BEARING
5	1	89841	GEAR
6	1	89842	SNAP RING
7	1	89843	SHAFT
8	2	89844	SPACER
9	2	89845	O RING
10	2	89846	FLANGE
11	3	89847	GASKET
12	2	89848	SEAL
13	2	89849	BEARING
14	2	89850	SHAFT
15	2	89851	SPACER
16	2	89852	GEAR
17	2	89853	BEARING
18	2	89854	SPACER
19	54	89855	BOLT HEX, M12 X 35
20	6	89856	GASKET
21	2	89857	HOUSING
22	1	89858	HOUSING SPACER, RH
23	1	89859	OIL PLUG
24	1	89860	SIGHT GLASS
25	1	89861	CENTRAL HOUSING
26	1	89862	BREATHER PLUG
27	1	89863	HOUSING SPACER, LH
28	1	89864	SPACER
29	1	89865	BEARING
30	1	89866	HUB
31	1	89867	BEARING
32	1	89868	SHAFT
33	1	89869	SEAL
34	2	89870	OUTPUT HUB ASSEMBLY
35	1	89871	INPUT HUB ASSEMBLY

**FIGURE 15**  
**OPTIONAL FLOW CONTROL (HPOVSC)**

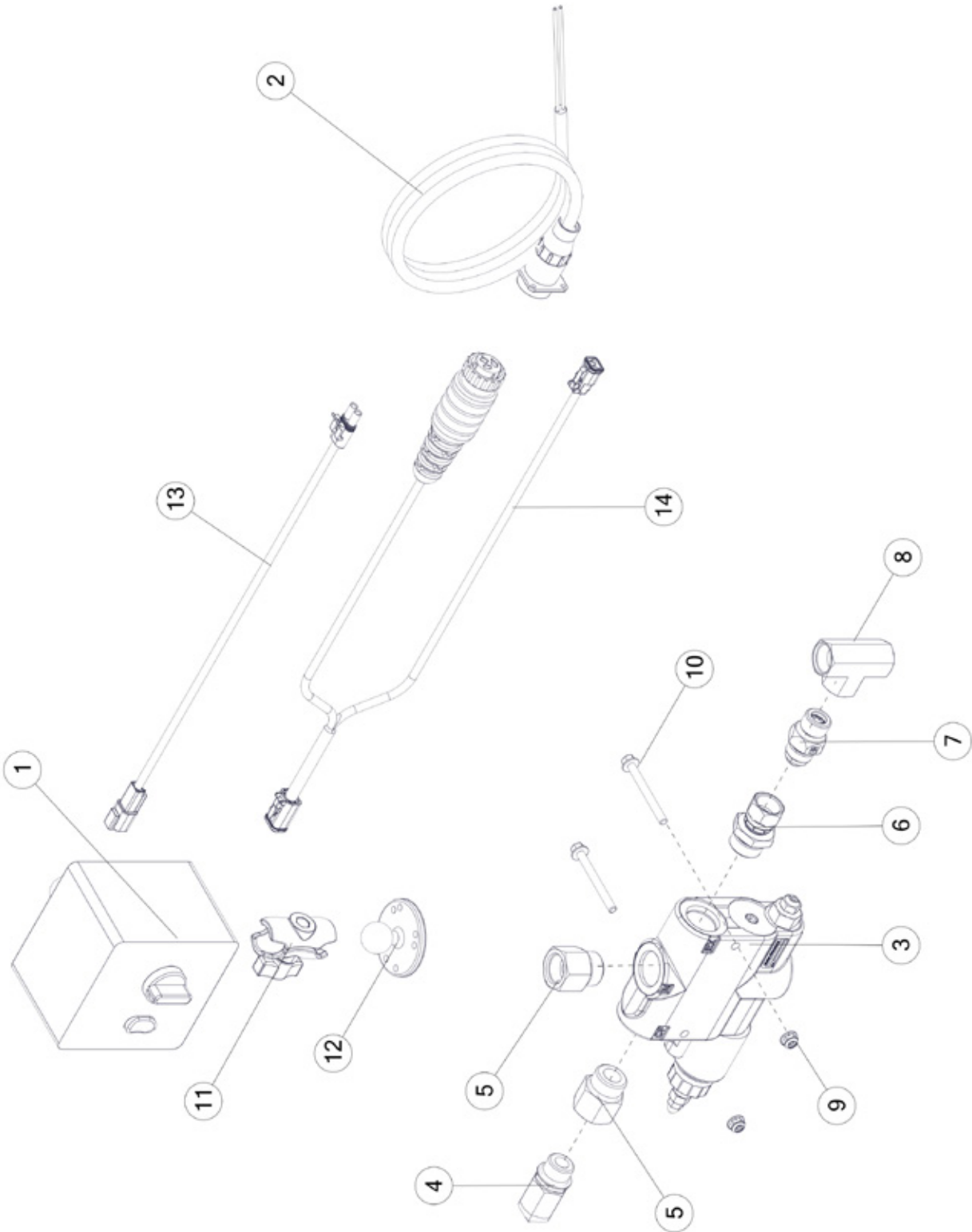




**FIGURE 15**  
**OPTIONAL FLOW CONTROL (HPOVSC)**

<b><u>ITEM</u></b>	<b><u>QTY</u></b>	<b><u>PART#</u></b>	<b><u>DESCRIPTION</u></b>
1	1	89583	FLOW CONTROL
2	1	90157	FITTING 90, 10ORB, 10ORB
3	1	90158	FITTING T, 10ORB, 10ORB, 10ORB
4	2	YBFB08250	BOLT FLANGE, 1/4 X 2-1/2 G5
5	2	YNFG08010	NUT FLANGE, 1/4 GF

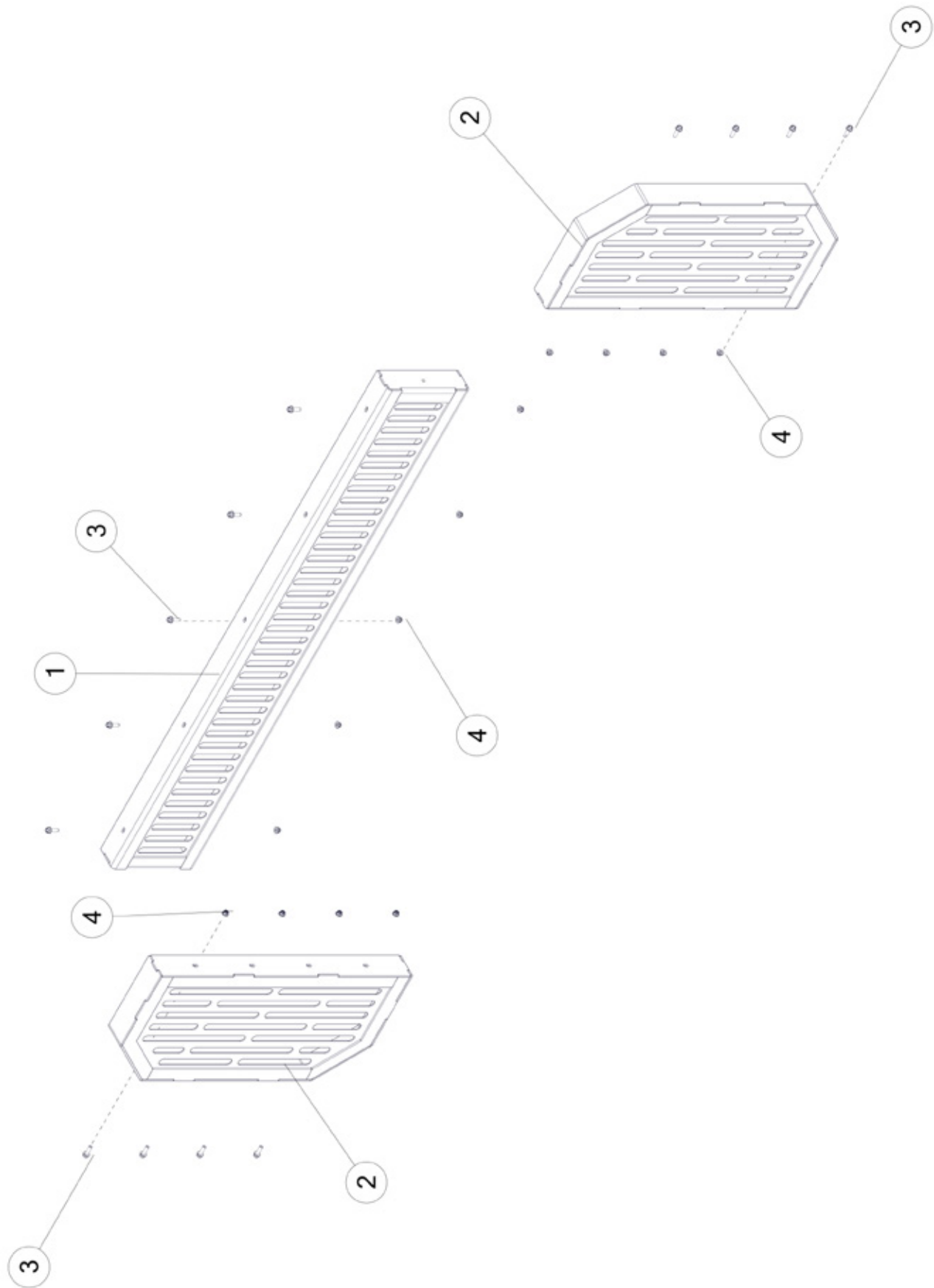
**FIGURE 16**  
**OPTIONAL VARIABLE SPEED CONTROL (HPOVSEC)**



**FIGURE 16**  
**OPTIONAL VARIABLE SPEED CONTROL (HPOVSEC)**

<u>ITEM</u>	<u>QTY</u>	<u>PART#</u>	<u>DESCRIPTION</u>
1	1	91719	CONTROL BOX
2	1	16SV269	TRACTOR CONTROL CABLE
3	1	89668	ELECTRIC FLOW CONTROL
4	1	90157	FITTING 90, 10ORB, 10ORB
5	2	69135	FITTING STRAIGHT, 12ORB, 10ORB
6	1	91704	FITTING STRAIGHT, 10JIC, 12ORB
7	1	91722	FITTING STRAIGHT, 10JIC, 10ORB, CHECK
8	1	91707	FITTING TEE, 10ORB, 10ORB, 10ORB
9	2	YNFG08010	NUT FLANGE, 1/4 GF
10	2	YBFB08250	BOLT FLANGE, 1/4 X 2-1/2 G5
11	1	85272	RAM DOUBLE SOCKET SHORT ARM
12	1	71445	MOUNT, RAM, CTRL MOUDULE
13	1	91712	IMPLEMENT HARNESS
14	1	91713	CAB HARNESS

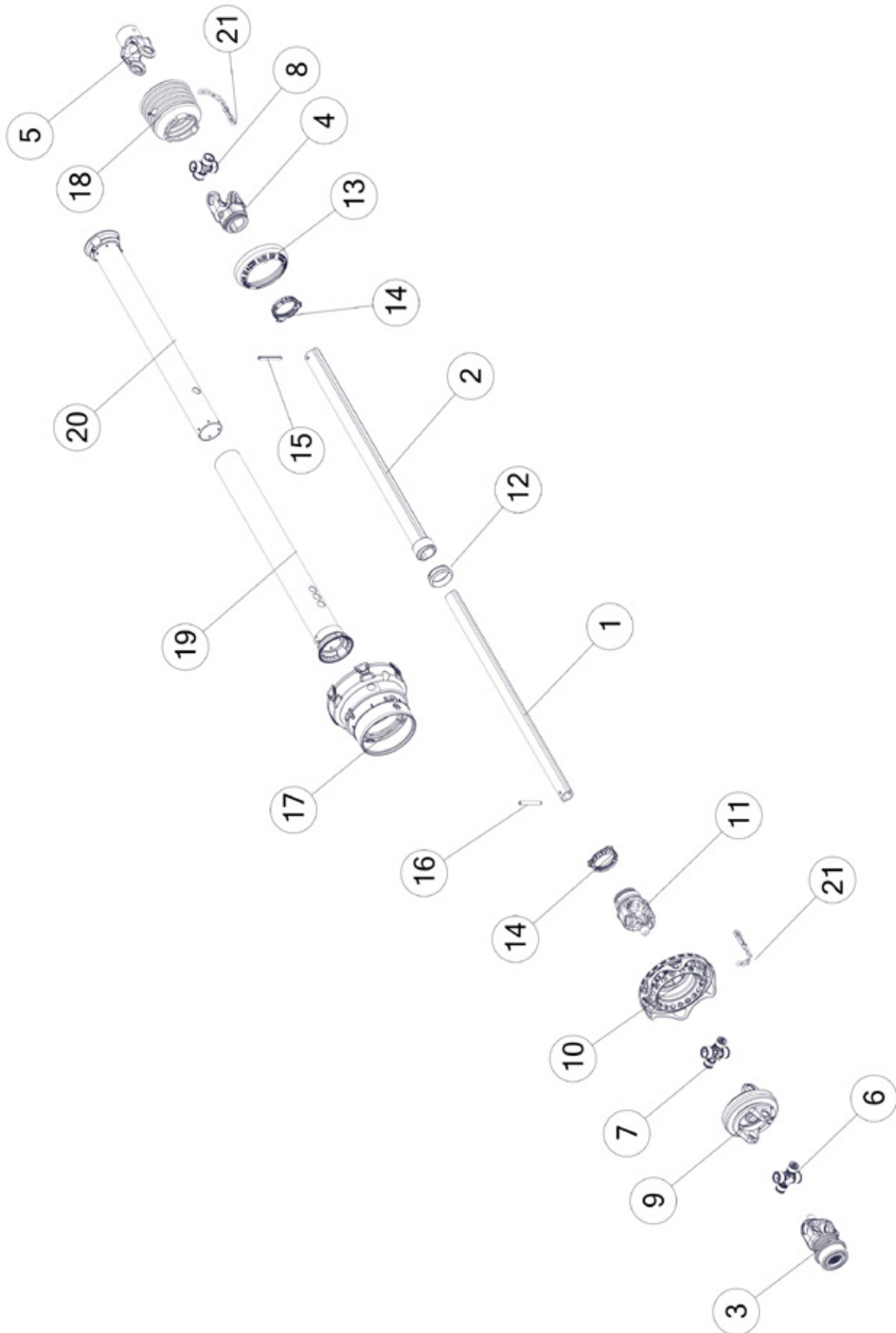
**FIGURE 17**  
**OPTIONAL SCREEN EXTENSION (HPOFASE)**



**FIGURE 17**  
**OPTIONAL SCREEN EXTENSION (HPOF ASE)**

<b><u>ITEM</u></b>	<b><u>QTY</u></b>	<b><u>PART#</u></b>	<b><u>DESCRIPTION</u></b>
1	1	89691	STONE GUARD UPPER EXTENSION
2	2	89681	STONE GUARD SIDE EXTENSION
3	13	YBFB12125	BOLT FLANGE, 3/8 X 1-1/4 G5
4	13	YNFG12006	NUT FLANGE, 3/8 GF

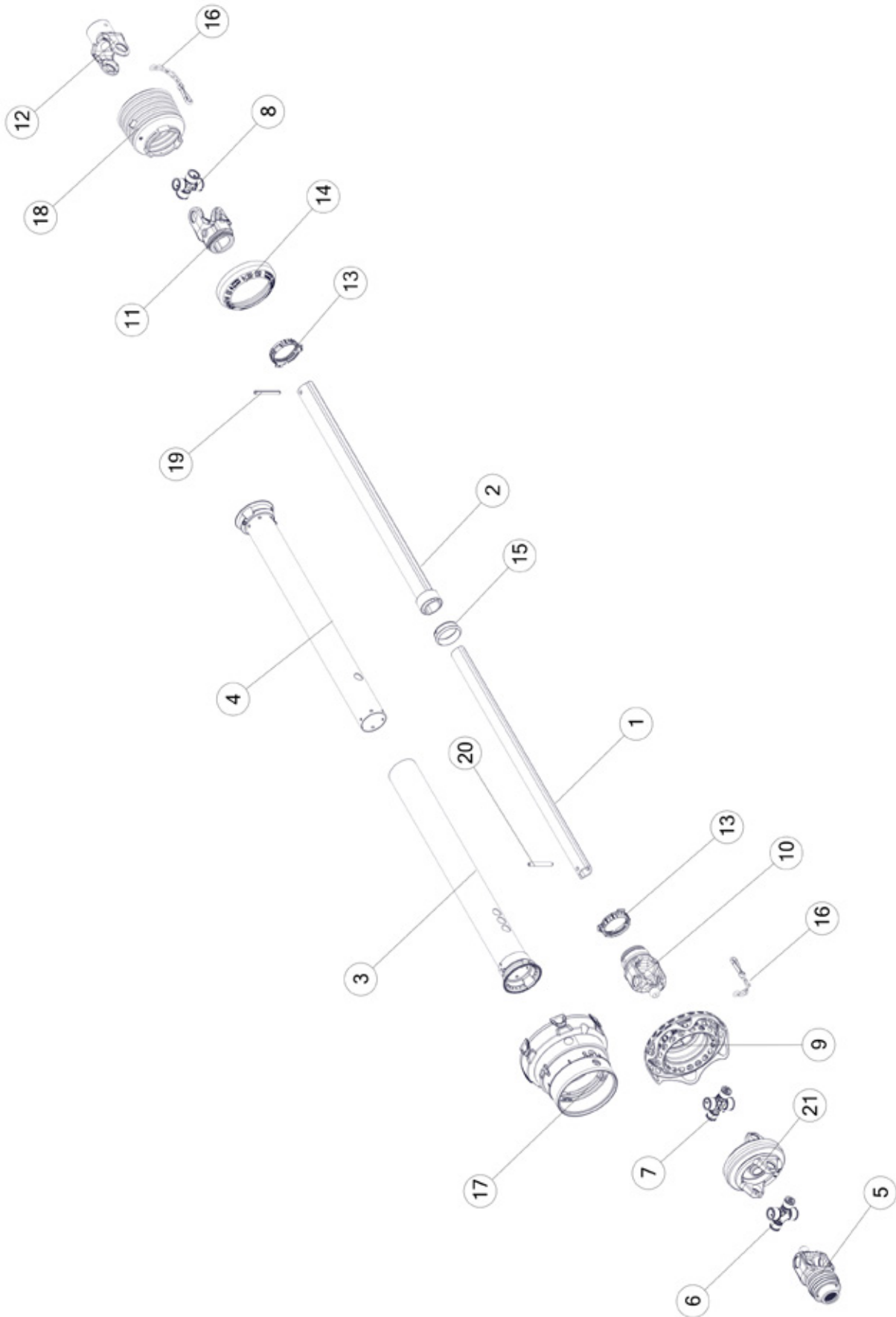
**FIGURE 18**  
**HPO1034CV PTO**



**FIGURE 18**  
**HPO1034CV PTO**

<u>ITEM</u>	<u>QTY</u>	<u>PART#</u>	<u>DESCRIPTION</u>
1	1	89772	INNER SHAFT
2	1	89790	OUTER SHAFT
3	1	89799	YOKE
4	1	89787	YOKE
5	1	89789	YOKE
6	1	89768	CROSS AND BEARING KIT
7	1	89770	CROSS AND BEARING KIT
8	1	89786	CROSS AND BEARING KIT
9	1	89769	DOUBLE YOKE
10	1	89776	NET GUARD
11	1	89771	INBOARD YOKE
12	1	89793	SUPPORT BEARING
13	1	89792	REINFORCING COLLAR
14	2	87919	BEARING RING
15	1	87920	SPRING PIN
16	1	89773	SPRING PIN
17	1	89784	CV GUARD
18	1	87926	GUARD CONE
19	1	89774	OUTER GUARD TUBE
20	1	89791	GUARD TUBE INNER
21	2	87916	RESTRAINT CHAIN
*	1	89800	COMPLETE PTO

**FIGURE 19**  
**HPO1038CV PTO**

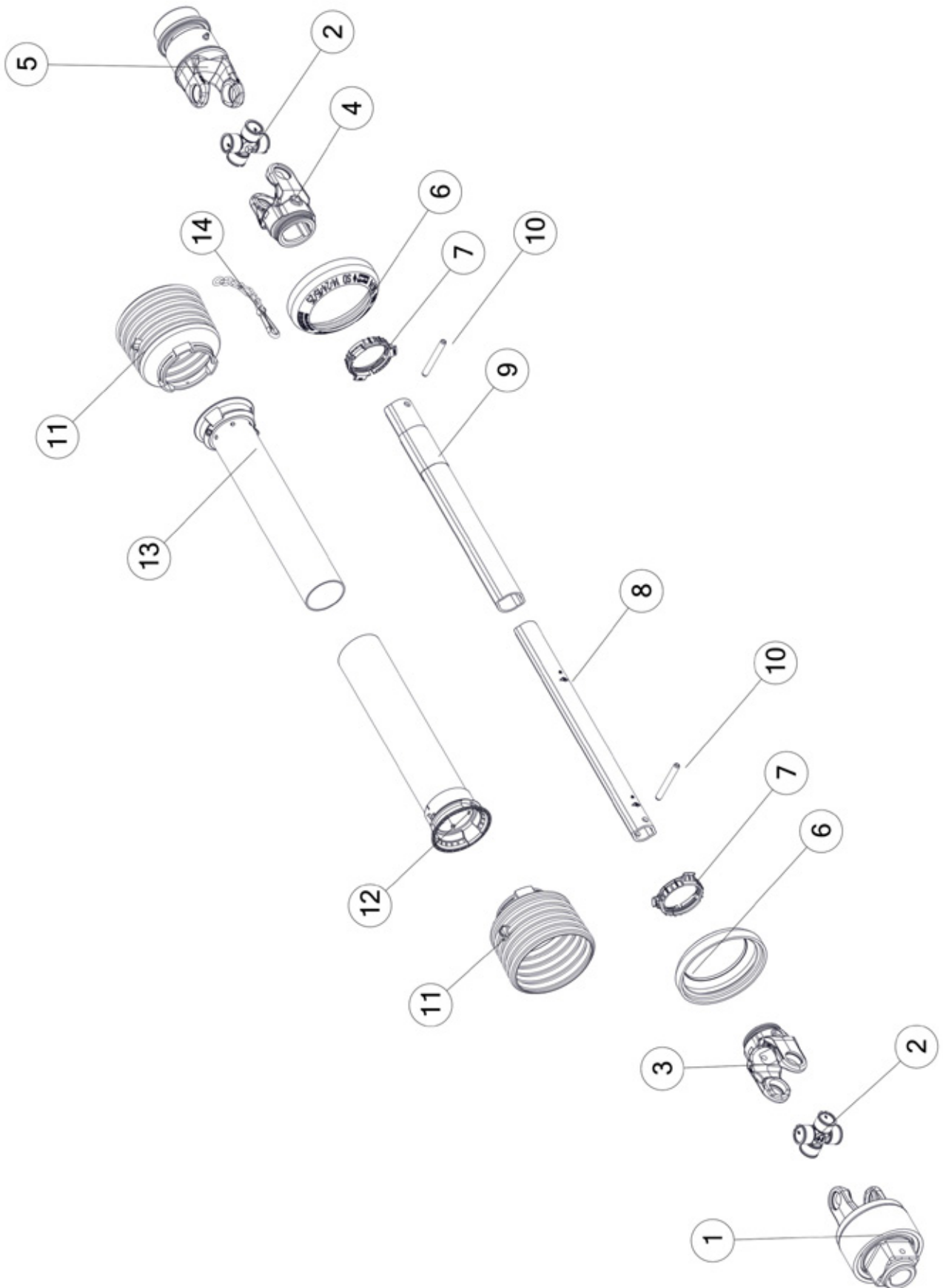




**FIGURE 19**  
**HPO1038CV PTO**

<u>ITEM</u>	<u>QTY</u>	<u>PART#</u>	<u>DESCRIPTION</u>
1	1	89772	INNER SHAFT
2	1	89790	OUTER SHAFT
3	1	89774	OUTER GUARD TUBE
4	1	89791	GUARD TUBE INNER
5	1	89767	YOKE ASSEMBLY
6	1	89768	CROSS AND BEARING KIT
7	1	89770	CROSS AND BEARING KIT
8	1	89786	CROSS AND BEARING KIT
9	1	89776	NET GUARD
10	1	89771	INBOARD YOKE
11	1	89787	YOKE
12	1	89789	YOKE
13	2	87919	BEARING RING
14	1	89792	REINFORCING COLLAR
15	1	89793	SUPPORT BEARING
16	2	87916	RESTRAINT CHAIN
17	1	89784	CV GUARD
18	1	87926	GUARD CONE
19	1	87920	SPRING PIN
20	1	89773	SPRING PIN
21	1	89769	DOUBLE YOKE
*	1	89794	COMPLETE PTO

**FIGURE 20**  
**1000 RPM PTO**



**FIGURE 20**  
**1000 RPM PTO**

<b><u>ITEM</u></b>	<b><u>QTY</u></b>	<b><u>PART#</u></b>	<b><u>DESCRIPTION</u></b>
1	1	87929	CUT OUT CLUTCH
2	2	87923	CROSS BEARING KIT
3	1	87922	YOKE
4	1	87924	YOKE
5	1	87928	OVERRUNNING CLUTCH
6	2	87918	REINFORCING COLLAR
7	2	87919	BEARING RING
8	1	87930	INNER SHAFT
9	1	87934	OUTER SHAFT
10	2	87920	SPRING PIN
11	2	87927	GUARD CONE
12	1	87931	OUTER GUARD TUBE
13	1	87936	INNER GUARD TUBE
14	1	87916	RESTRAINT CHAIN
*	1	87914	COMPLETE PTO, 1-3/4 1000 RPM



## FIGURE 21

### OPTIONAL TWP600S (HPOHTA550)

<u>ITEM</u>	<u>QTY</u>	<u>PART#</u>	<u>DESCRIPTION</u>
1	1	59596	TANDEM AXLE, RH
2	4	FBC31	SPINDLE
3	4	54507	871 HUB WITH KOYO RACES
4	4	54500	871 HUB COMPLETE AND SPINDLE
5	4	60N5	GREASE SEAL
6	4	54505	TAPERED ROLLER BEARING, 2.495 BORE
7	4	54504	INNER RACE (KOYO 39520)
8	4	54503	OUTER RACE (KOYO 453A)
9	4	54506	TAPERED ROLLER BEARING, 1.75 BORE
10	4	60N2	SPINDLE WASHER
11	4	YPCT07005	COTTER PIN, 7/32 X 2
12	4	YNCA36005	NUT CASTLE, 1-1/4-12 NAA NF
13	4	56234	HUB CAP GASKET
14	4	60N11	HUB CAP--600 BUSHEL
15	16	YBHH10020	BOLT HEX, 5/16 X 1/2 G5
16	4	YPEX16020	EXPANSION PIN, 1/2 X 4
17	4	BFR28	GREASE ZERK, 1/8 NPT
18	40	YBSD24010	BOLT STUD, 3/4 X 2-3/4
19	40	YNWL24005	NUT WHEEL, FLANGE 3/4
20	1	59595	TANDEM AXLE, LH
*	1	TWP600S	COMPLETE TIRE AND WHEEL SET
*	2	90196	TIRE AND WHEEL ASSEMBLY, LH
*	2	90204	TIRE AND WHEEL ASSEMBLY, RH
*	1	90190	WHEEL, 22.5 X 20.0 10B
*	1	FBC36	TIRE, 600/50 22.5 16PLY
*	1	72437	VALVE STEM

\* NOT SHOWN



# CHANGE NOTES

# **H&S MFG. CO.**

products approved

for the

**FEMA**

**SEAL OF QUALITY**



Manufactured by

**H&S MANUFACTURING CO., INC.**

2608 S. HUME AVE. MARSHFIELD, WI 54449

(715) 387-3414 | [hsmfgco.com](http://hsmfgco.com)

