



HPV4255

MANURE SPREADER

PARTS BOOK

Part #91692

HSMFG032122

Rev. #01

Starting Ser. #222VP55001

STRONG HERITAGE - STRONG PEOPLE - STRONGER FUTURE

CONTENTS

Instructions for Ordering Parts	1
Figure 1 - Hitch & Components	2-3
Figure 2 - Floor & Side Components	4-5
Figure 3 - PTO Shield & Components	6-7
Figure 4 - Pusher & Components	8-9
Figure 5 - Pusher Extension & Components	10-11
Figure 6 - Pusher Spacers & Components	12-13
Figure 7 - Gearbox Drive & Components	14-15
Figure 8 - Hydraulics	16-17
Figure 9 - Tandem Axle & Wheel Components	18-19
Figure 10 - Endgate & Components	20-21
Figure 11 - Beater Panels & Components	22-23
Figure 12 - Beaters & Components	24-25
Figure 13 - Lights	26-27
Figure 14 - Beater Gearbox Assembly	28-29
Figure 15 - Optional Flow Control (HPOVSC).	30-31
Figure 16 - Optional Variable Speed Control (HPOVSEC).	32-33
Figure 17 - Optional Screen Extension (HPOFASE)	34-35
Figure 18 - HPO1034CV PTO	36-37
Figure 19 - HPO1038CV PTO	38-39
Figure 20 - 1000 RPM PTO	40-41
Figure 21 - Optional TWP600S (HPOHTA550)	42-43
Parts Notes	44

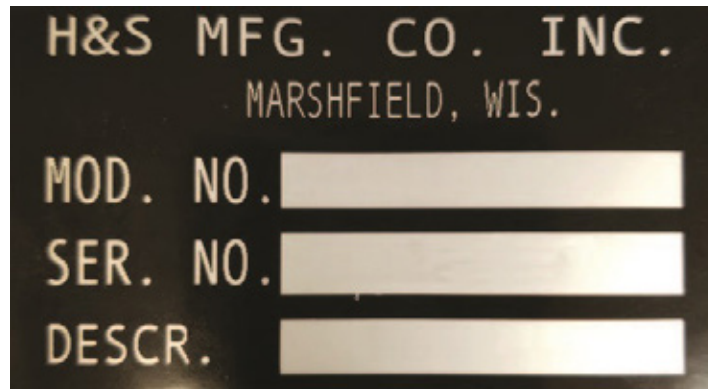
INSTRUCTIONS FOR ORDERING PARTS

All service parts should be ordered through your authorized H&S dealer. He will be able to give you faster service if you will provide them with the following:

1. Model & Serial Number - Both can be located on the front, left side of the PTO bearing support mount.
2. All references to left or right apply to the machine as viewed from the rear.
3. Parts should not be ordered from illustration only. Please order complete part number.
4. If your dealer has to order parts - give shipping instructions:

VIA truck - large pieces (please specify local truck lines)

VIA United Parcel Service (include full address)



PLEASE RECORD NUMBERS FOR YOUR UNIT FOR QUICK REFERENCE

ABOUT IMPROVEMENTS

H&S IS CONTINUALLY STRIVING TO IMPROVE ITS PRODUCTS

We must, therefore, reserve the right to make improvements or changes whenever it becomes practical to do so, without incurring any obligation to make changes or additions to the equipment previously sold.

FIGURE 1 **HITCH & COMPONENTS**

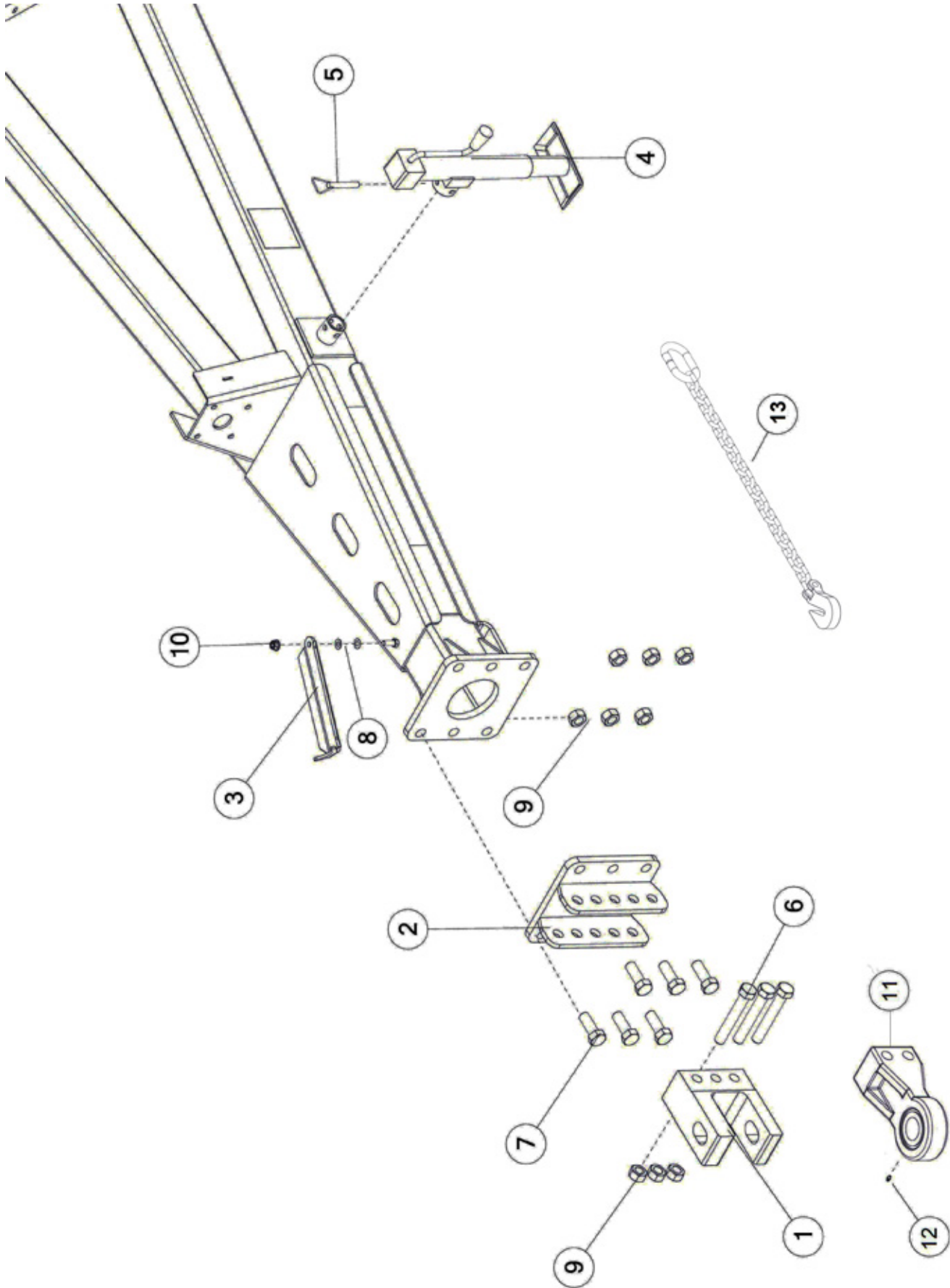


FIGURE 1

HITCH & COMPONENTS

<u>ITEM</u>	<u>QTY</u>	<u>PART#</u>	<u>DESCRIPTION</u>
1	1	56310	HEAVY CLEVIS OPTION
2	1	89538	HITCH MOUNT
3	1	42N2	PTO HOLDER
4	1	27N49	JACK W/MOUNT-5000# SW 10 LIFT
5	1	12N117	PIN, 0.56, 5.19, JACK
6	3	YBHH32028	BOLT HEX, 1-8 X 6-1/2 G8 ZY
7	6	YBHH32006	BOLT HEX, 1-8 X 2-3/4 G5
8	2	42N3	SPRING
9	9	YNL32005	NUT HEX, 1-8 LKTL C ZC
10	1	YNFG16003	NUT FLANGE, 1/2 GF
11	1	58290	ARTICULATING HITCH OPTION
12	1	G89	STRAIGHT ZERK, 1/4
13	1	SC40500	SAFETY CHAIN, 40,500 LB RATING, OPTIONAL

FIGURE 2 **FLOOR & SIDE COMPONENTS**

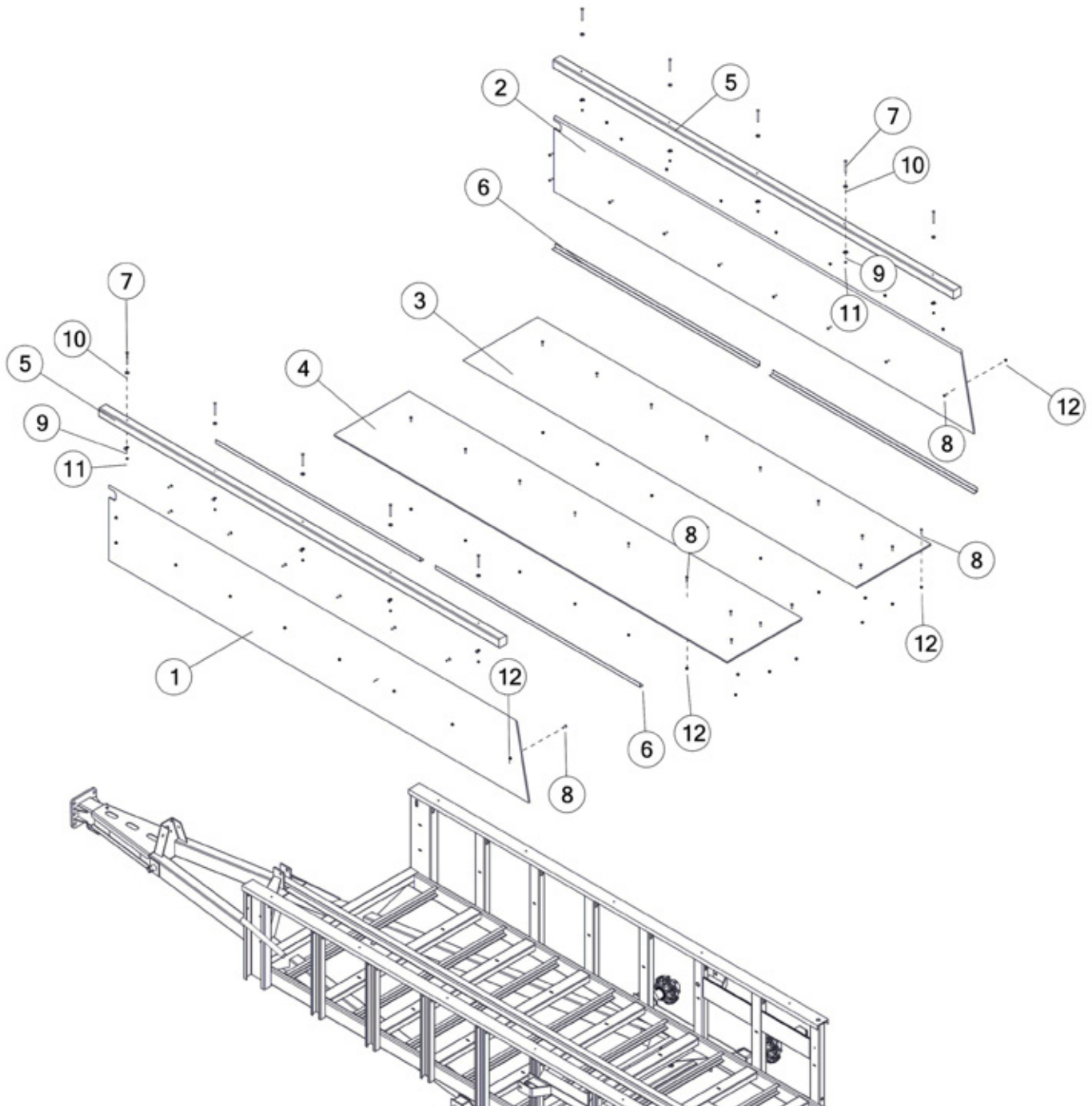


FIGURE 2

FLOOR & SIDE COMPONENTS

<u>ITEM</u>	<u>QTY</u>	<u>PART#</u>	<u>DESCRIPTION</u>
1	1	55N5B	SIDE POLY W/DECALS LH
2	1	55N4B	SIDE POLY W/DECALS RH
3	1	42N10	FLOOR POLY RH
4	1	42N11	FLOOR POLY LH
5	2	90592	POLY TOP RAIL
6	4	89814	POLY SIDE ANGLE
7	10	YBCR12105	BOLT CARRIAGE, FT, 3/8-16 X 4-1/2 G5 ZC
8	50	YSFS12016	BOLT FLAT SOK, 3/8-16X1-1/2 ZC
9	10	HGV162	CUSHION WIRE CLAMP, 1/2
10	10	YWFL16005	WASHER FLAT, 1/2 USS
11	10	YNHX12005	NUT HEX, 3/8-16 NAA ZC
12	50	YNFG12006	NUT FLANGE, 3/8 GF

FIGURE 3
PTO SHIELD & COMPONENTS

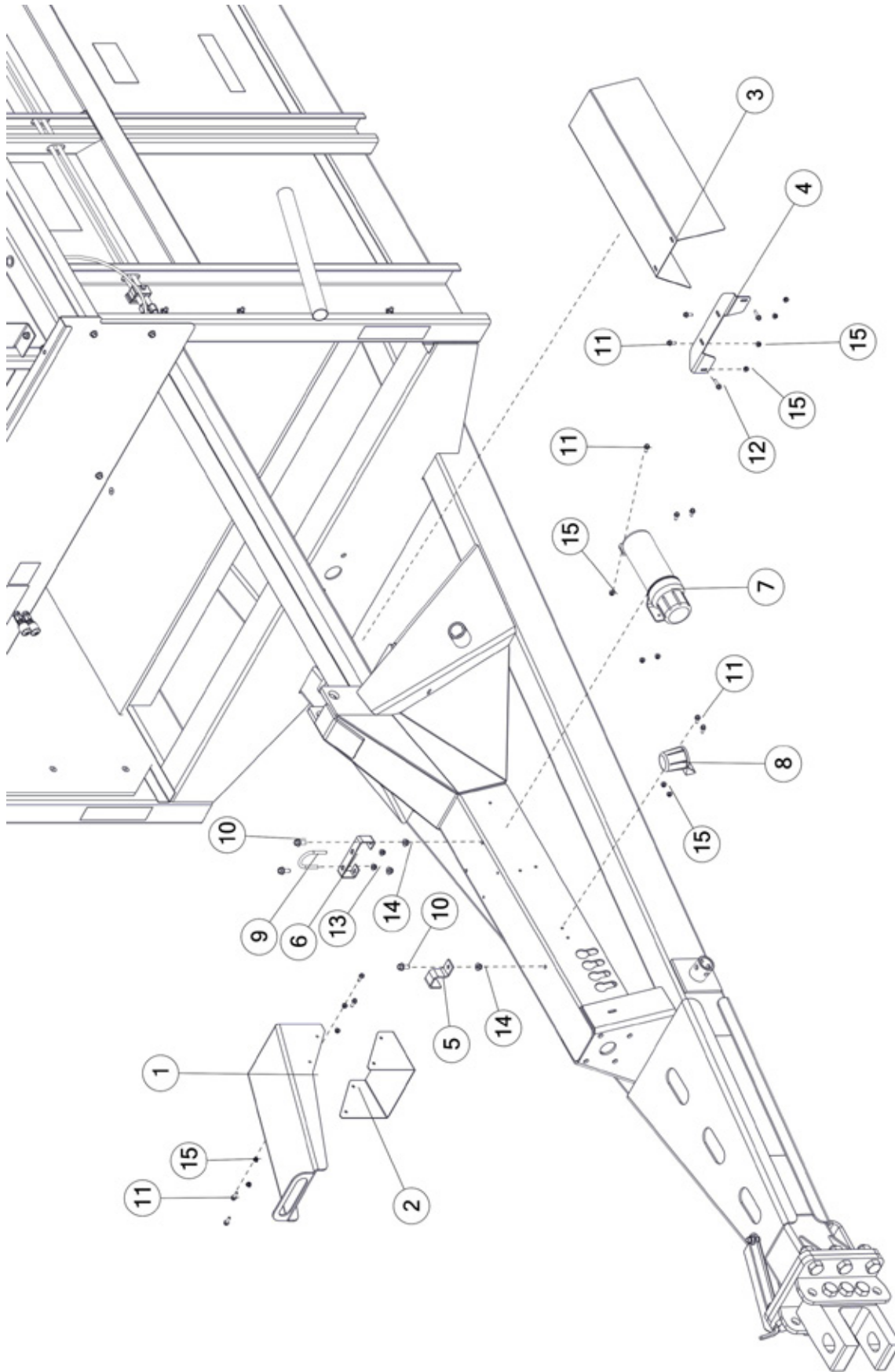


FIGURE 3

PTO SHIELD & COMPONENTS

<u>ITEM</u>	<u>QTY</u>	<u>PART#</u>	<u>DESCRIPTION</u>
1	1	90164B	PTO SHIELD W/DECALS
2	1	90168	LOWER PTO SHIELD
3	1	89564	INPUT SHIELD
4	1	88927	INPUT SHIELD ANGLE
5	1	HE14	SMALL PIPE BRACKET
6	1	89639	HOSE HOLDER
7	1	S522	MANUAL HOLDER
8	1	CHM38	PLUG STORAGE
9	1	YBPU10007	PIPE U BOLT, 5/16 X 1-1/2
10	3	YBFB12003	BOLT FLANGE, 3/8 X 1 G5
11	11	YBFB08075	BOLT FLANGE, 1/4 X 3/4 G5
12	12	YBFB08100	BOLT FLANGE, 1/4 X 1 G5
13	2	YNFG10005	NUT FLANGE, 5/16 GF
14	3	YNFG12006	NUT FLANGE, 3/8 GF
15	13	YNFG08010	NUT FLANGE, 1/4 GF

FIGURE 4
PUSHER COMPONENTS

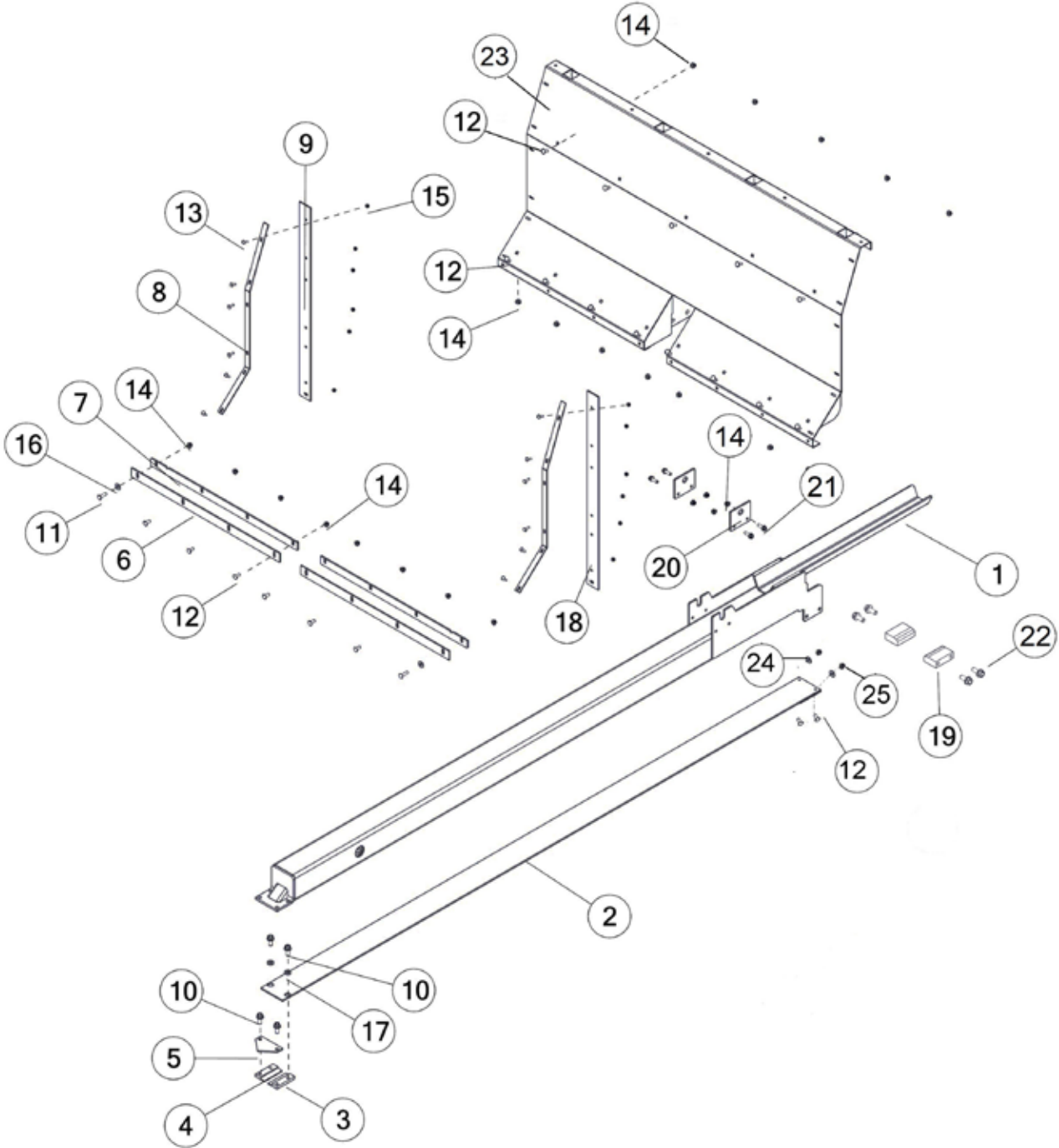


FIGURE 4

PUSHER COMPONENTS

<u>ITEM</u>	<u>QTY</u>	<u>PART#</u>	<u>DESCRIPTION</u>
1	1	55N44	MOVEABLE FLOOR
2	1	55N85	PUSHER TUBING SLIDE
3	1	55N48	END CAP CLAMP RH
4	1	55N49	END CAP CLAMP LH
5	1	55N86	SCRAPER
6	2	55N83	PUSHER BOTTOM RUBBER
7	2	55N81	PUSHER WIPER
8	2	55N25	PUSHER RUBBER STRAP
9	1	55N27	PUSHER RUBBER LH
10	4	YBFB16125	BOLT FLANGE, 1/2 X 1-1/4 G5
11	8	YBCR12015	BOLT CARRIAGE, 3/8-16 X 1-1/2 G5 ZC
12	15	YBCR12010	BOLT CARRIAGE, 3/8-16 X 1 G5 ZC
13	12	YBCR08005	BOLT CARRIAGE, 1/4-20 X 1 G5 ZC
14	25	YNFG12006	NUT FLANGE, 3/8 GF
15	12	YNFG08010	NUT FLANGE, 1/4 GF
16	2	YWFL14005	WASHER FLAT, 7/16 USS ZINC
17	2	42N150	POLY SPACER
18	1	55N28	PUSHER RUBBER RH
19	2	55N46	PUSHER FRONT GUIDE
20	2	55N47	CYLINDER RETAINER
21	4	YBHH12035	BOLT HEX, 3/8 X 1-1/4 G5
22	4	YBHH20010	BOLT HEX, 5/8 X 1-1/2 G5
23	1	90095	PUSHER
24	2	YWLO12005	WASHER LOCK, 3/8
25	2	YNHX12005	NUT HEX, 3/8 G2

FIGURE 5 **PUSHER EXTENSION & COMPONENTS**

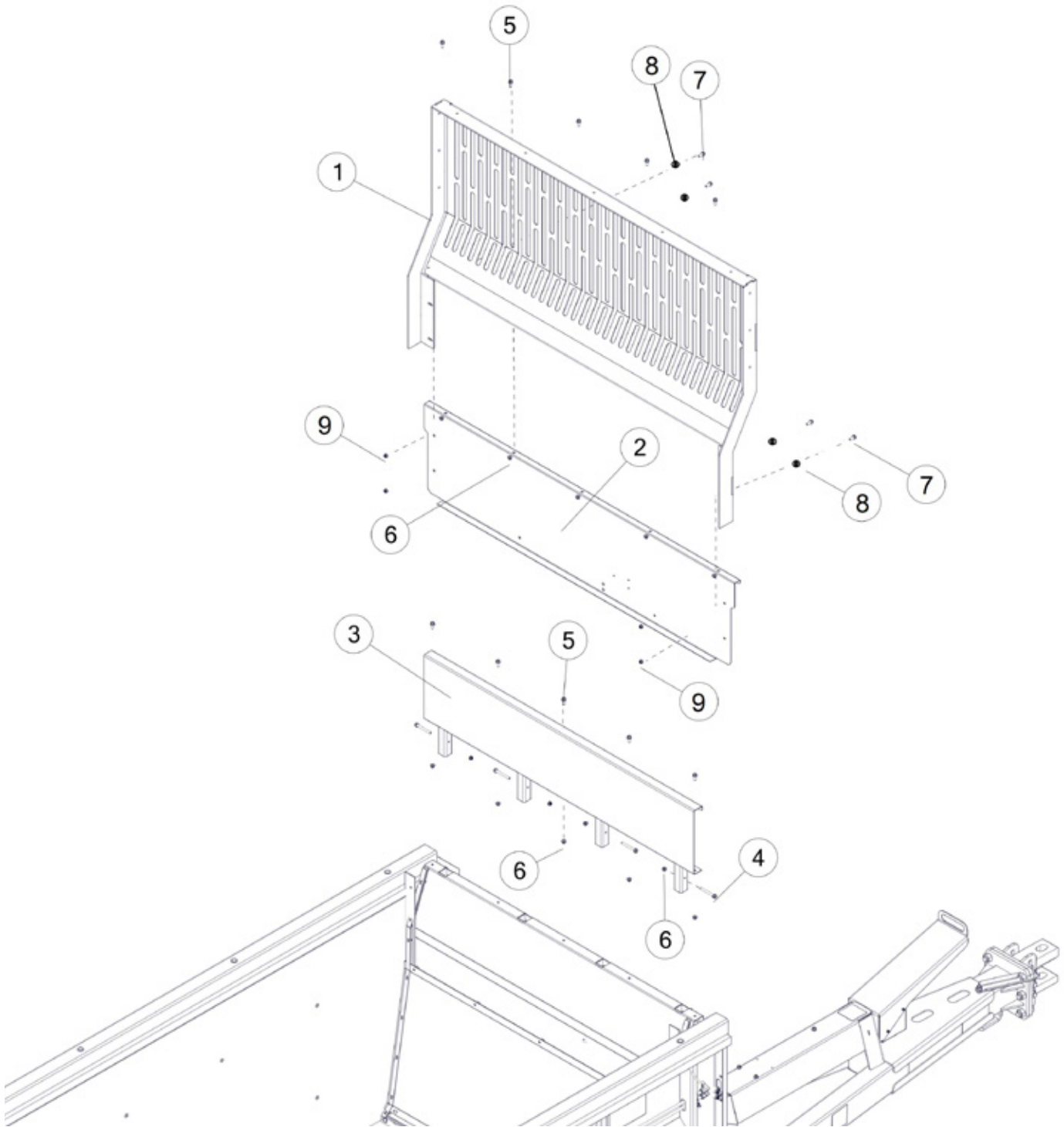


FIGURE 5
PUSHER EXTENSION & COMPONENTS

<u>ITEM</u>	<u>QTY</u>	<u>PART#</u>	<u>DESCRIPTION</u>
1	1	88863	STONE GUARD
2	1	89640B	FRONT PANEL
3	1	90065	PUSHER EXTENSION
4	4	YBFB12350	BOLT FLANGE, 3/8 X 3-1/2 G5
5	10	YBFB12003	BOLT FLANGE, 3/8 X 1 G5
6	14	YNFG12006	NUT FLANGE, 3/8 GF
7	4	YBFB16150	BOLT FLANGE, 1/2 X 1-1/2 G5
8	4	YWFL18005	WASHER FLAT, 9/16
9	4	YNFG16003	NUT FLANGE, 1/2 GF

FIGURE 6 **PUSHER SPACERS & COMPONENTS**

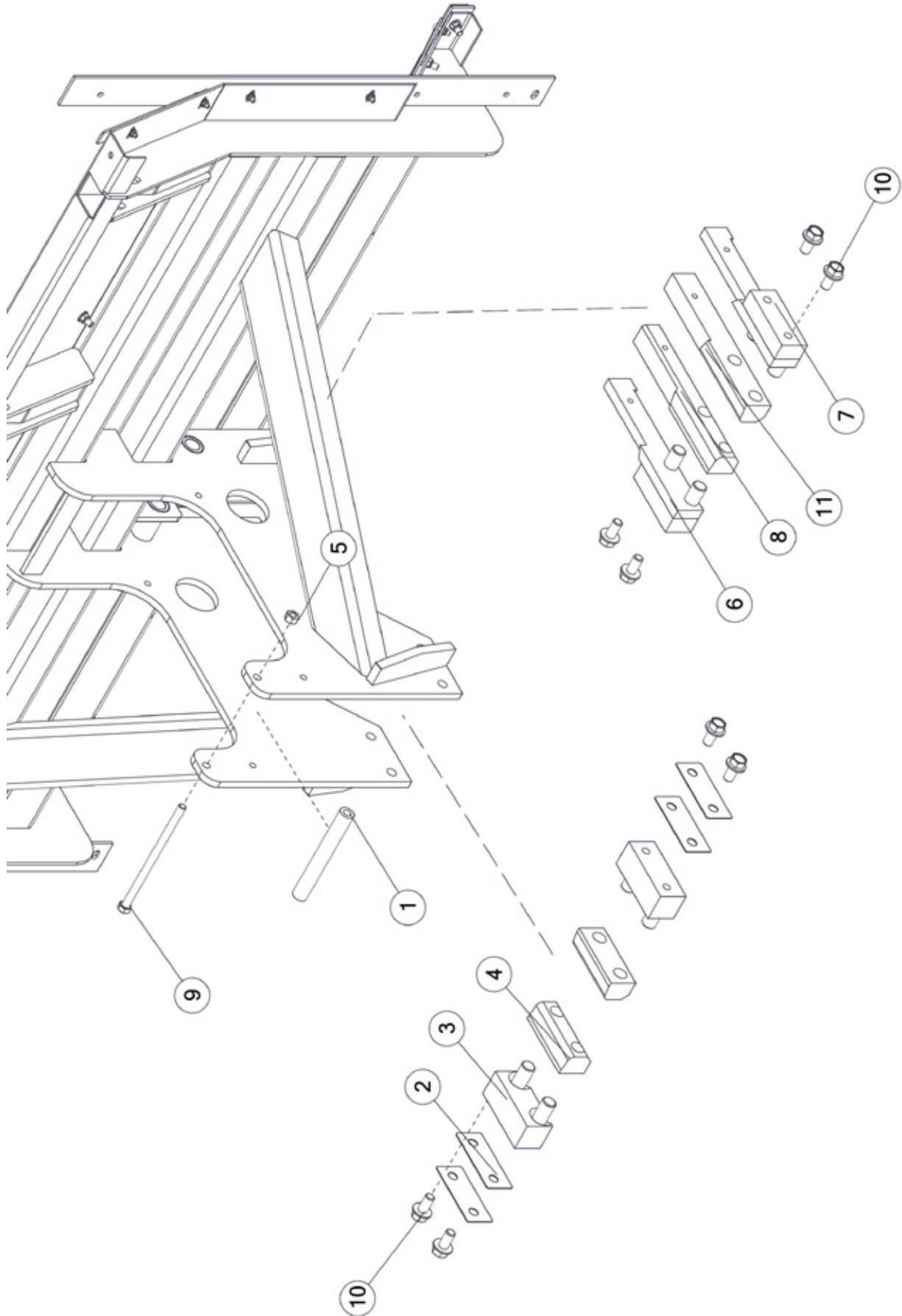


FIGURE 6
PUSHER SPACERS & COMPONENTS

<u>ITEM</u>	<u>QTY</u>	<u>PART#</u>	<u>DESCRIPTION</u>
1	1	55N59	PUSHER SPACER
2	4	42N114	PUSHER SHIM
3	2	55N52	POLY BLOCK SPACER FRONT
4	2	55N53	PUSHER POLY SLIDE
5	1	YNL16005	NUT HEX, TOP LOCK, 1/2 G5
6	1	55N54	POLY BLOCK EXTENSION RH
7	1	55N57	POLY BLOCK EXTENSION LH
8	1	55N55	PUSHER POLY SLIDE RH
9	1	YBHH16200	BOLT HEX, 1/2-13 X 10 G5 ZC
10	8	YBHH20015	BOLT HEX, 5/8 X 1-1/4 G5
11	1	55N56	PUSHER POLY SLIDE LH

FIGURE 7
GEARBOX DRIVE & COMPONENTS

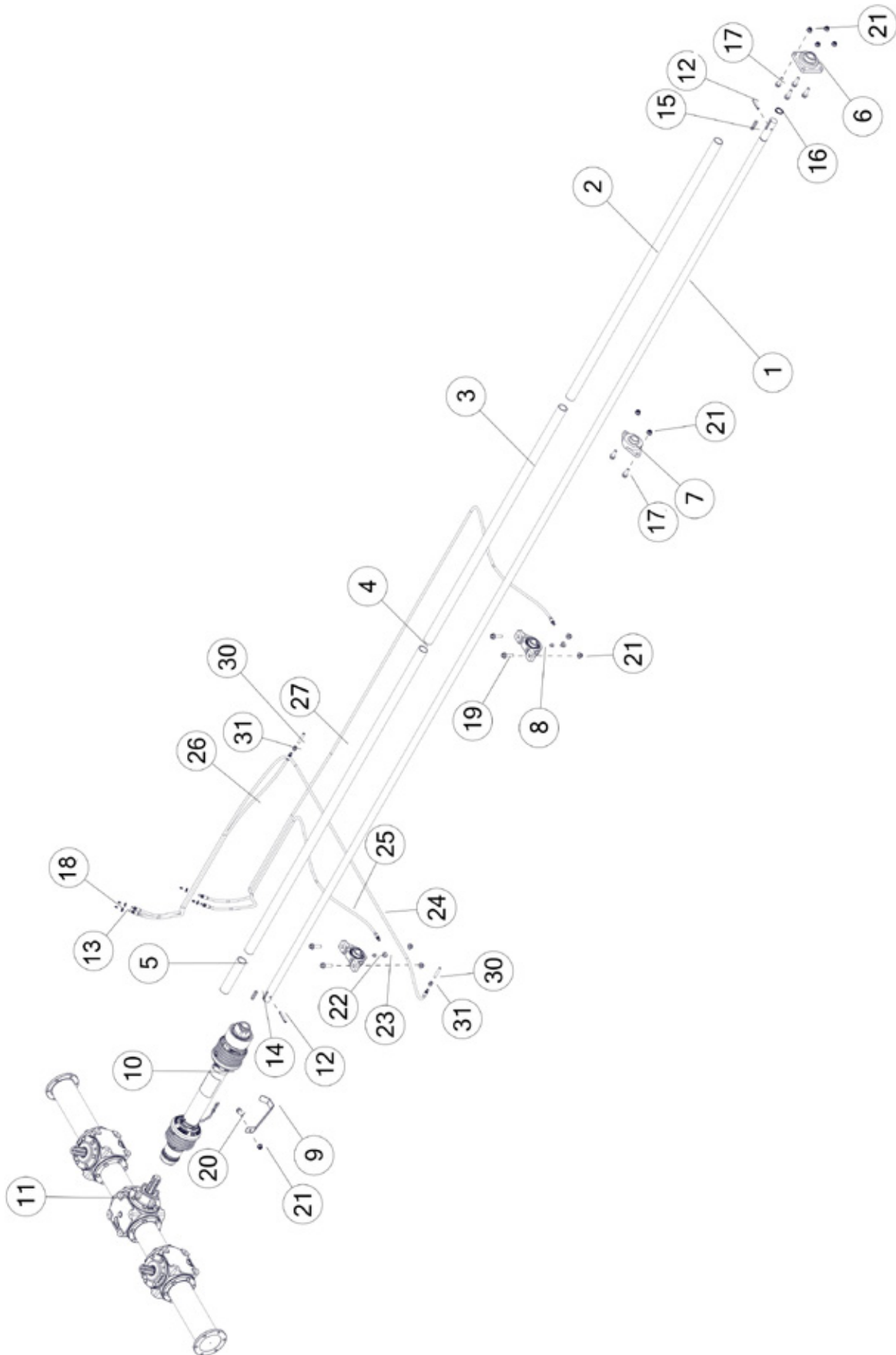


FIGURE 7

GEARBOX DRIVE & COMPONENTS

<u>ITEM</u>	<u>QTY</u>	<u>PART#</u>	<u>DESCRIPTION</u>
1	1	87954	INPUT SHAFT
2	1	42N16	INPUT PVC SHIELD
3	1	42N19	DRIVE SHAFT CENTER PVC SHIELD
4	1	89518	DRIVE SHAFT MIDDLE PVC SHIELD
5	1	87955	DRIVE SHAFT BACK PVC SHIELD
6	1	12V99	BEARING, 5.13 X 1.50 X 2.02, FLANGE
7	1	42N18	PILLOW BLOCK BEARING W/STRAIGHT, 1-1/2
8	2	60659	BEARING
9	1	90511	PTO HOLDER
10	1	87914	COMPLETE PTO 1-3/4 1000 RPM
11	1	93018	VERTICAL BEATER GEARBOX ASSEMBLY
12	2	YPEX12025	EXPANSION PIN, 3/8 X 2-3/4
13	4	YNJM04005	NUT JAM, 1/8 A
14	1	PB87	SQUARE KEY, 3/8 X 2
15	1	S138	SQUARE KEY, 3/8 X 2-3/8
16	1	12V62	HEAVY DUTY EXTERNAL SNAP RING, 1-1/2
17	6	YBFB16175	BOLT FLANGE, 1/2 X 1-3/4 G5
18	4	G89	STRAIGHT ZERK, 1/4-28
19	4	YBFB16200	BOLT FLANGE, 1/2 X 2 G5
20	1	YBFB16125	BOLT FLANGE, 1/2 X 1-1/4 G5
21	11	YNFG16003	NUT FLANGE, 1/2 GF
22	2	TS323	FITTING STRAIGHT, 1/4-28, 1/8-27NPT
23	2	58453	FITTING, 90, 1/8NPT, 1/8NPT
24	1	89728	GREASE HOSE, 3, 134
25	1	89723	GREASE HOSE, 3, 77
26	1	88909	GREASE HOSE, 3, 66
27	1	89725	GREASE HOSE, 3, 161

FIGURE 8 HYDRAULICS

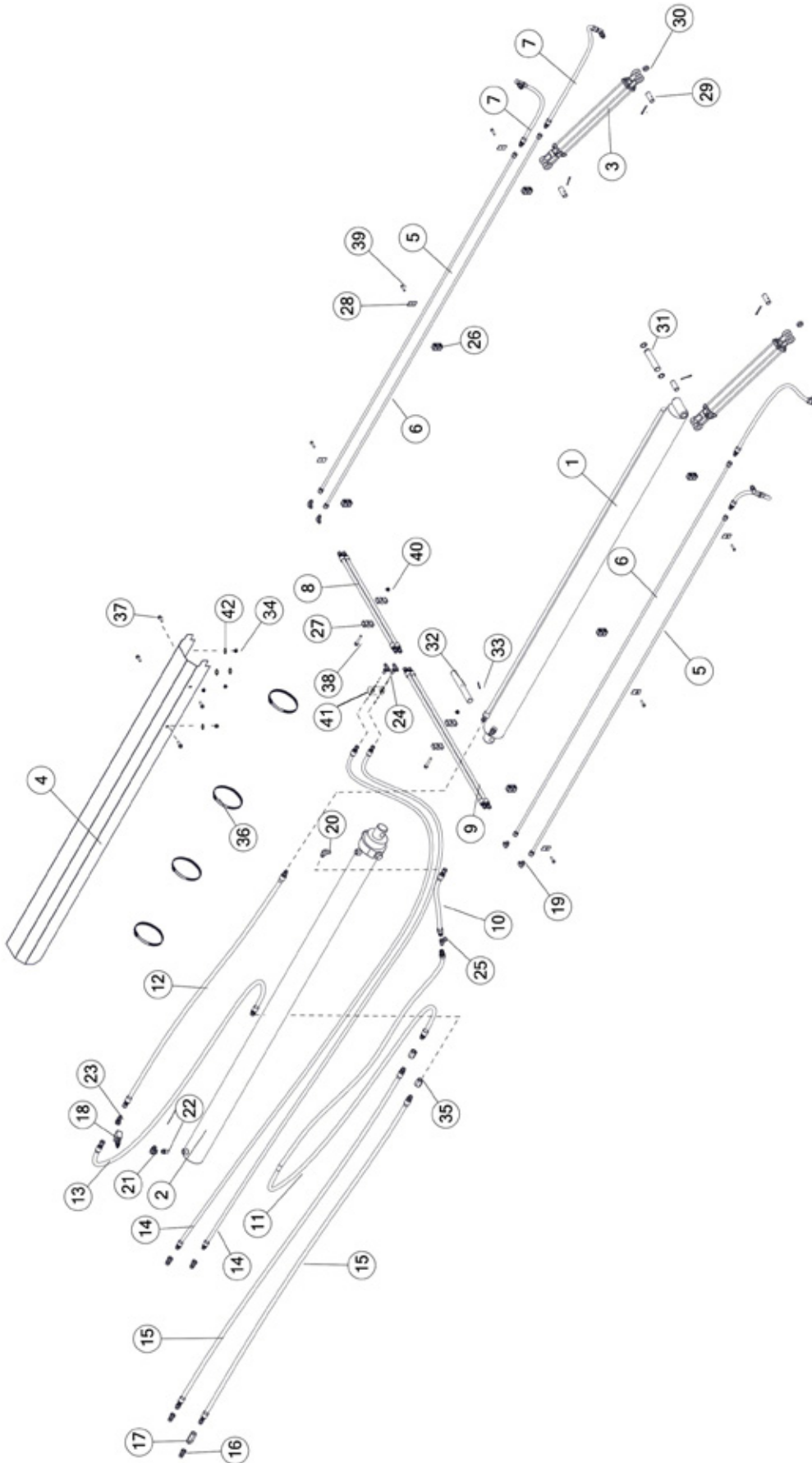


FIGURE 8 HYDRAULICS

<u>ITEM</u>	<u>QTY</u>	<u>PART#</u>	<u>DESCRIPTION</u>
1	1	55N33	HYDRAULIC CYLINDER, TRUNNION 4.5 X 90
2	1	55N32	HYDRAULIC CYLINDER, GIMBAL 4.5 X 90
3	2	90970	HYDRAULIC CYLINDER, 2 X 20
4	1	88870B	CYLINDER SHIELD W/DECALS
5	2	90973	HYDRAULIC TUBE, 1/2 X 108
6	2	89070	HYD TUBE, 1/2 X 10 FT
7	4	90972	HYDRAULIC HOSE, 6, 36
8	2	89635	HYDRAULIC HOSE, 6, 32
9	2	89632	HYDRAULIC HOSE, 6, 45
10	1	89654	HYDRAULIC HOSE, 8, 21
11	1	89665	HYDRAULIC HOSE, 8, 166
12	1	89652	HYDRAULIC HOSE, 8, 76
13	1	89659	HYDRAULIC HOSE, 8, 90
14	2	89629	HYDRAULIC HOSE, 6, 182
15	2	89662	HYDRAULIC HOSE, 8, 110
16	4	67148	FTG, ST, 8ORB, QUICK COUPLER TIP
17	1	89576	HYDRAULIC VALVE, CHECK
18	1	89573	HYDRAULIC VALVE, SEQUENCE
19	4	58187	FITTING 8-6 ETX-S
20	1	58189	FITTING, 90, 8JIC X 1/2NPT
21	1	1056	-8ORB TO -8ORB 90 DEG
22	1	TFM89	FITTING, STRAIGHT, 8ORB X 1/2NPT
23	1	89643	FITTING T, 8JIC, 8JIC, 8ORB
24	1	8005	FITTING TEE, 8JIC X 8JIC X 8JIC, BULKHEAD
25	1	TS139	FITT T, 8JIC, 8JIC, 8JIC
26	6	TS118	LINE CLAMP BLOCK (PART OF T2008S)
27	4	86567	DOUBLE CLAMP, UNIVERSAL
28	6	56563	CLAMP TOP PLATE
29	4	56N141	CYLINDER PIN
30	2	K132	SPACER, 3/8 LONG
31	1	55N50	REAR CYLINDER PIN
32	1	55N34	CYLINDER PIN
33	6	YPCT05025	COTTER PIN, 5/32 X 2
34	4	YNHX12005	NUT HEX, 3/8 G2
35	2	90154	FITTING STRAIGHT, 10ORB, 10ORB
36	1	55N66	HOSE CLAMP SAE #104
37	4	YBFB12125	BOLT FLANGE, 3/8 X 1-1/4 G5
38	2	YBFB12250	BOLT FLANGE, 3/8 X 2-1/2 G5
39	6	56568	CLAMP BOLT 5/16-18 x 1-3/8
40	2	YNFG12006	NUT FLANGE, 3/8 GF
41	1	92935	BULKHEAD SPACER
42	4	YWLO12005	WASHER LOCK, 3/8

FIGURE 9
TANDEM AXLE AND WHEEL COMPONENTS

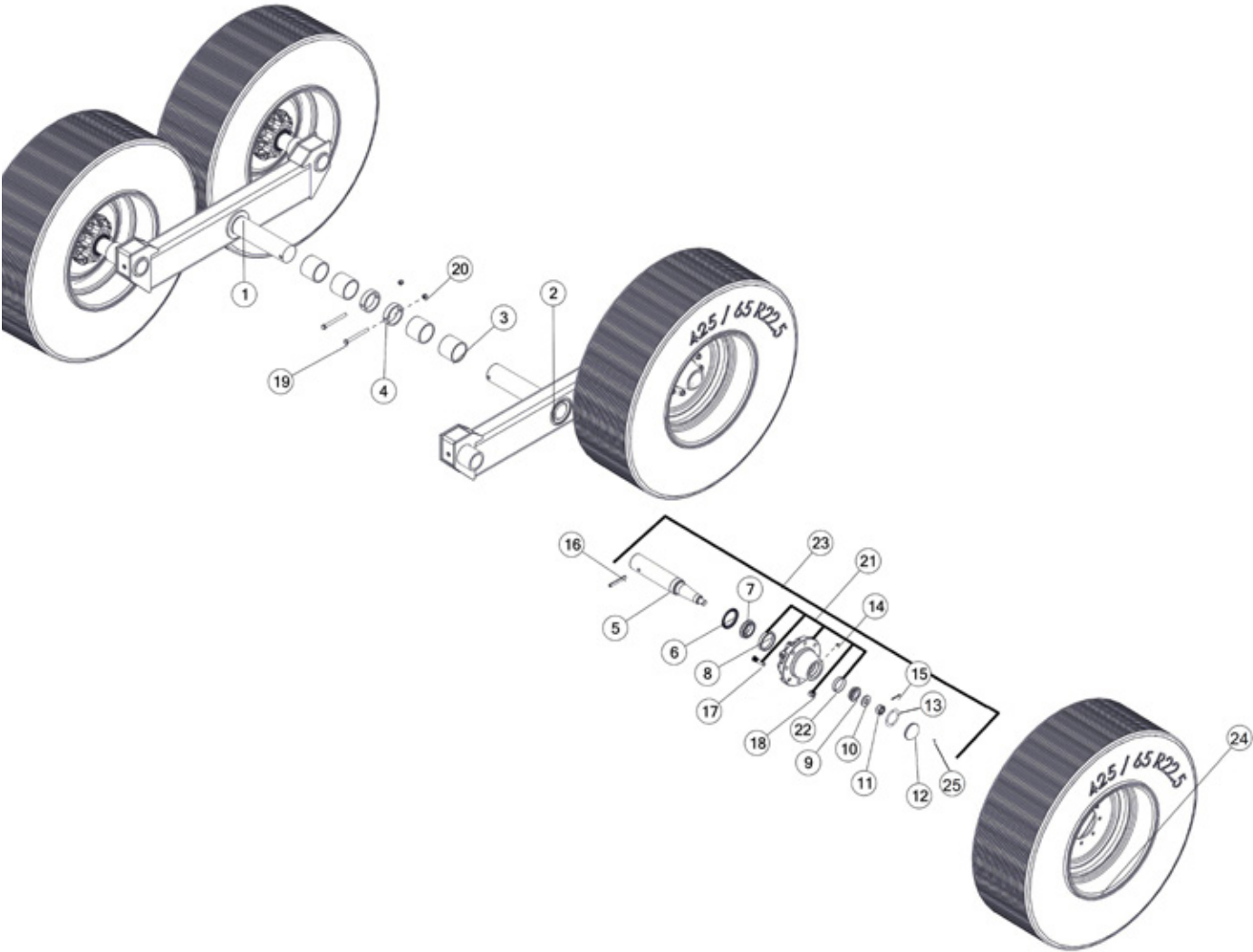


FIGURE 9

TANDEM AXLE AND WHEEL COMPONENTS

<u>ITEM</u>	<u>QTY</u>	<u>PART#</u>	<u>DESCRIPTION</u>
1		55N3	TANDEM AXLE RH
2		55N2	TANDEM AXLE LH
3		70157	BUSHING, NYLATRON, 4-1/2 OD X 4 ID X 3-1/4
4		16SV214	AXLE MOUNT COLLAR
5		66N15	SPINDLE
6		60N5	SEAL
7		54505	INNER BEARING KOYO
8		54504	INNER RACE KOYO
9		54506	OUTER BEARING KOYO
10		60N2	SPINDLE WASHER
11		YNCA36005	NUT HEX, CASTLE, 1-1/4
12		60N11	HUB CAP
13		56234	HUB CAP GASKET
14		BFR28	GREASE ZERK 1/8 NPT
15		YPCT07005	COTTER PIN, 7/32 X 2
16		YPEX16020	EXPANSION PIN, 1/2 X 4
17		YBSD24010	BOLT STUD, 3/4 UNF X 2-3/4
18		YNWL24005	NUT FLANGE , 3/4 G8
19		YBHH16165	BOLT HEX, 1/2 X 6 G5
20		YNNY16005	NUT HEX, NYLON LOCKNUT, 1/2
21		33SV45	HUB W/RACES & STUDS
22		54503	OUTER RACE
23		HGAS15	HUB & SPINDLE ASSEMBLY - 550HB, 550VB
24		TWP42510S	(4) 425 X 22.5 USED TRUCK TIRES W/ SILVER 10 BOLT RIMS
*		90195	ASSEMBLY, WHEEL AND TIRE
*		90188	WHEEL, 22.5 X 13.0 10 BOLT SILVER
*		16SV88	TIRE, 425 X 22.5
*		72438	VALVE STEM, 1-1/2
25		YBHH10020	BOLT HEX, 5/16 X 1/2 G5

* NOT SHOWN

FIGURE 10 ENDGATE & COMPONENTS

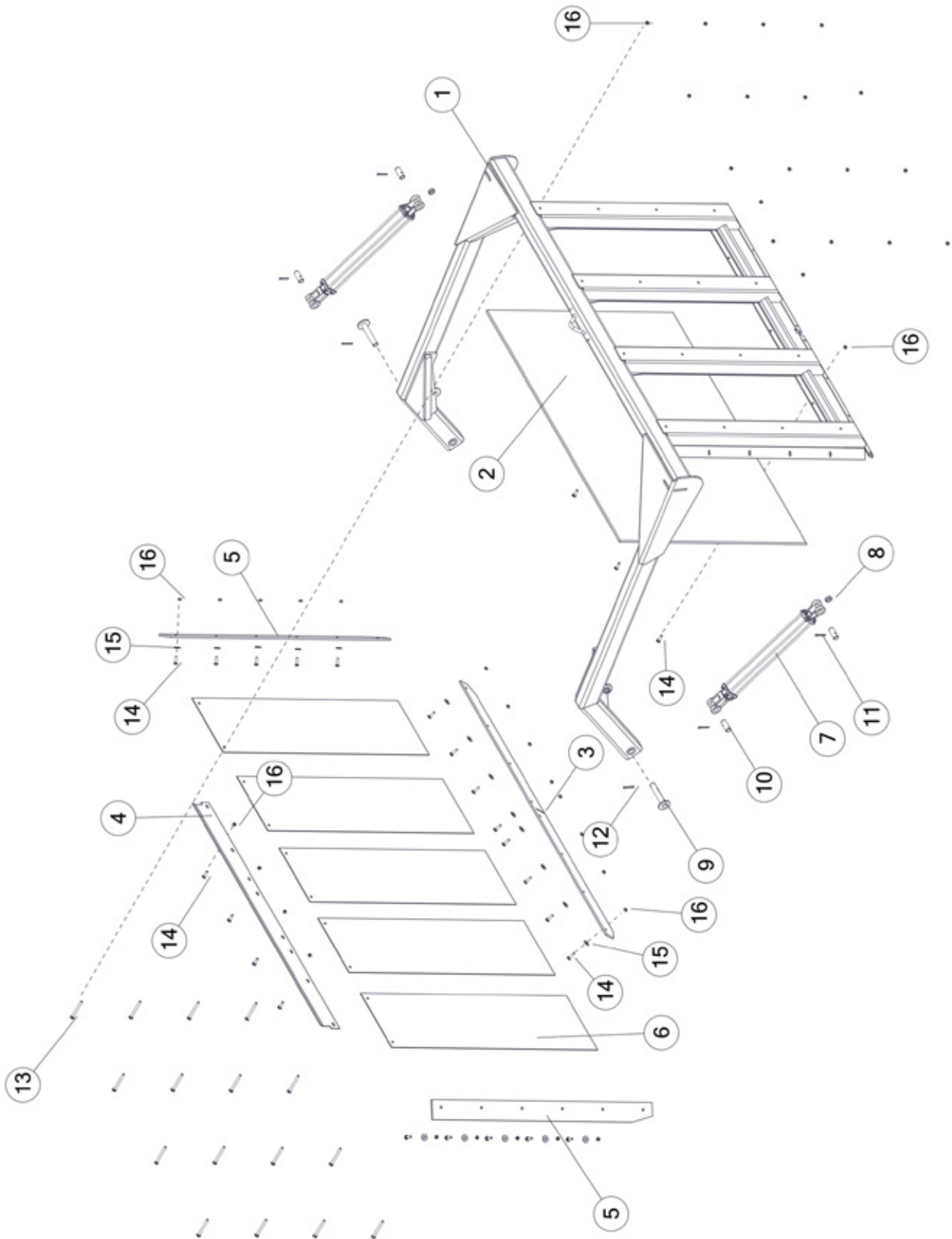


FIGURE 10

ENDGATE & COMPONENTS

<u>ITEM</u>	<u>QTY</u>	<u>PART#</u>	<u>DESCRIPTION</u>
1	1	55N9B	ENDGATE W/DECALS
2	1	55N15	ENDGATE POLY
3	5	55N14	ENDGATE RUBBER
4	1	89823	ENDGATE POLY HOLD DOWN
5	1	55N13	ENDGATE RUBBER, LH
6	1	55N88	ENDGATE CURTAIN BELTING
7	1	90970	HYDRAULIC CYLINDER, 2 X 20
*	1	23N142A	CLEVIS CAP
*	1	56174	ROD CAP
*	1	45N43	CYLINDER TUBE
*	2	23N149	PLUG
*	4	45N44	TIE ROD
*	1	56180	PISTON
*	1	45N42	CYLINDER ROD
*	1	23N150A	ROD CLEVIS
*	1	YSSO12015	SET SCREW SOCKET, 3/8 X 3/8
*	1	23N148	PISTON NUT
*	1	56187	SEAL KIT
*	8	YNHX12006	NUT HEX, 3/8 G2
8	2	K132	SPACER, 3/8 LONG
9	2	55N10	ENDGATE PIVOT PIN
10	1	56N141	SHAFT, RND, 1 X 2-1/2, PIN, CYLINDER
11	2	YPCT05025	COTTER PIN, 5/32 X 2
12	4	YPEX12020	EXPANSION PIN, 3/8 X 2
13	2	YBCR12105	BOLT CARRIAGE, FT, 3/8-16 X 4-1/2 G5 ZC
14	6	YBCR12015	BOLT CARRIAGE, 3/8-16 X 1-1/2 G5 ZC
15	27	YWFL16005	WASHER, FLAT, 1/2 USS
16	20	YNHX12005	NUT HEX, 3/8-16 NAA ZC

FIGURE 11 **BEATER PANELS & COMPONENTS**

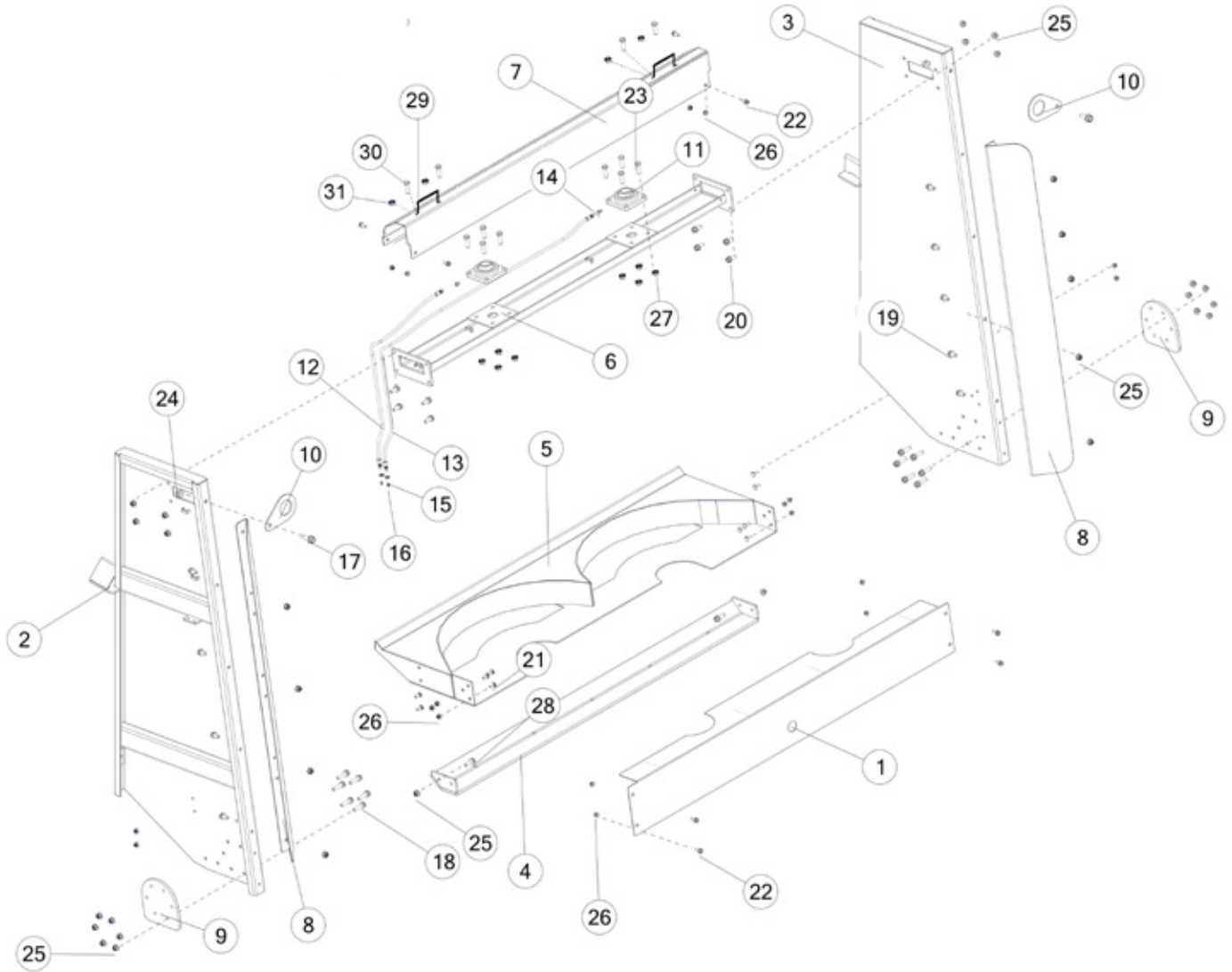


FIGURE 11

BEATER PANELS & COMPONENTS

<u>ITEM</u>	<u>QTY</u>	<u>PART#</u>	<u>DESCRIPTION</u>
1	1	87691	GEARBOX COVER
2	1	88878B	BEATER PANEL W/DECALS LH
3	1	88883B	BEATER PANEL W/DECALS RH
4	1	90870	BEATER SKID PLATE
5	1	87622	BEATER PAN
6	1	87578B	UPPER BEARING MOUNT W/DECALS
7	1	87579B	BEARING SHIELD W/DECALS
8	2	90248	BEATER DEFLECTOR
9	2	87568	BEATER SUPPORT LEG
10	2	HGV50	LIFTING EYE
11	2	12V99	BRG, 5.13 X 1.50 X 2.02, FLANGE
12	1	89747	GREASE HOSE, 3, 100
13	1	88909	GREASE HOSE, 3, 66
14	2	TS323	FITTING STRAIGHT, 1/4-28, 1/8-27NPT
15	2	YNJM04005	NUT, JAM, 1/8 A
16	2	G89	STRAIGHT ZERK, 1/4-28
17	2	YBFB20175	BOLT FLANGE, 5/8 X 1-3/4 G5
18	12	YBFB16200	BOLT FLANGE, 1/2 X 2 G5
19	10	YBFB16100	BOLT FLANGE, 1/2 X 1 G5
20	8	YBFB16125	BOLT FLANGE, 1/2 X 1-1/4 G5
21	6	YBCR12010	BOLT CARRIAGE, 3/8-16 X 1 G5 ZC
22	8	YBFB12003	BOLT FLANGE, 3/8 X 1 G5
23	8	YBHH18010	BOLT HEX, 9/16 X 1-3/4 G5 ZINC
24	2	YNFG20005	NUT FLANGE, 5/8-11 LKTL F ZC
25	24	YNFG16003	NUT FLANGE, 1/2 GF
26	8	YNFG12006	NUT FLANGE, 3/8 GF
27	8	YNSF18005	NUT FLANGE, 9/16-12 LKSF CH ZC
28	2	YBFB16150	BOLT FLANGE, 1/2 X 1-1/2 G5
29	2	TS96	SHIELD HANDLE
30	4	YBHH08100	BOLT HEX, 1/4 X 3/4 G5
31	4	YNFG08010	NUT FLANGE, 1/4 GF

FIGURE 12 **BEATERS & COMPONENTS**

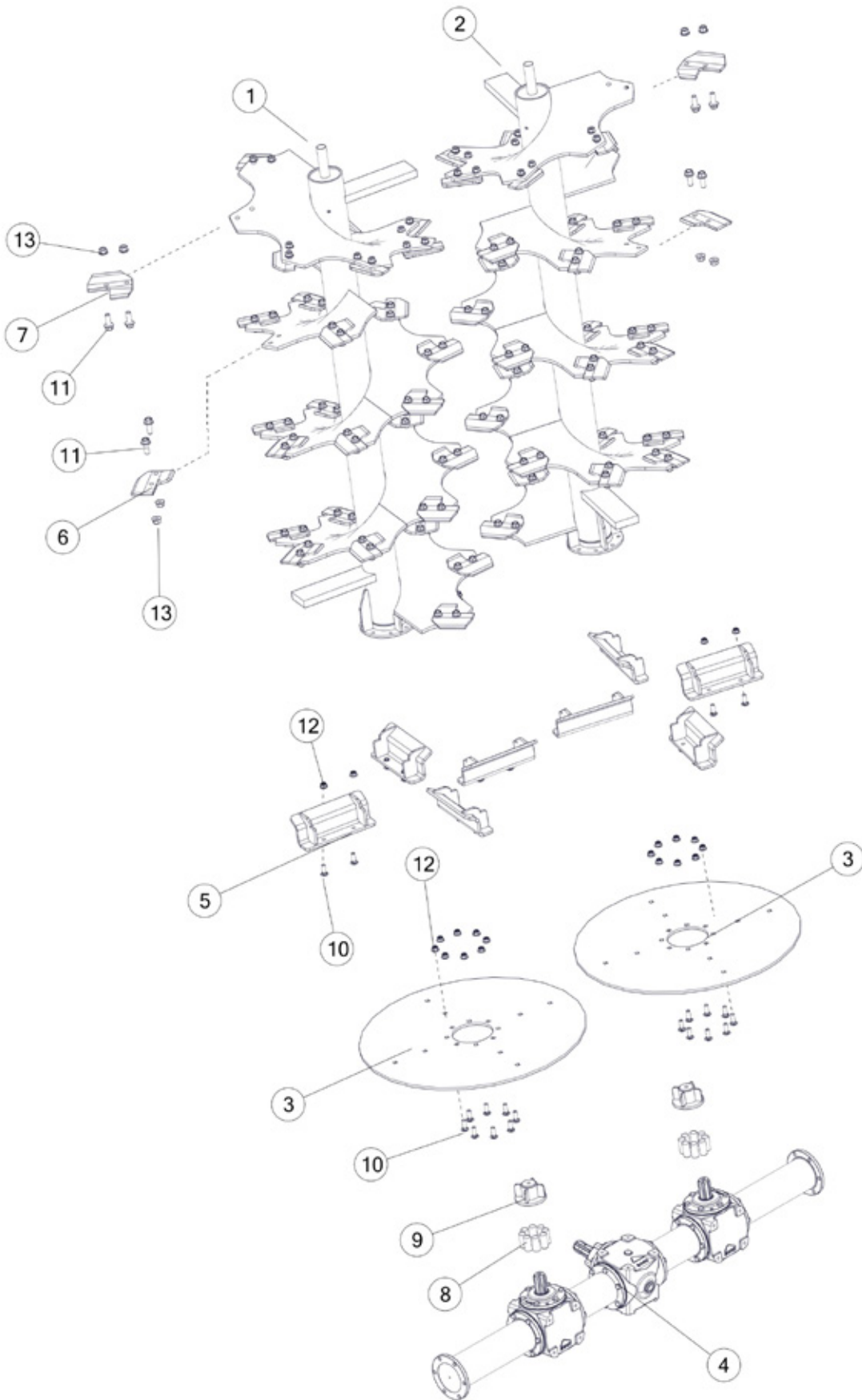


FIGURE 12

BEATERS & COMPONENTS

<u>ITEM</u>	<u>QTY</u>	<u>PART#</u>	<u>DESCRIPTION</u>
1	1	87960	BEATER WLDMT, LH
2	1	87963	BEATER WLDMT, RH
3	2	87538	BEATER DISK
4	1	93018	VERTICAL BEATER GEARBOX ASSEMBLY
5	8	87596	SPINNER BLADE WLDMT
6	28	HGV122	BEATER BLADE, LH
7	28	HGV123	BEATER BLADE, RH
8	16	87886	POLY ROD
9	2	87559	GEARBOX SPLINE COUPLER
10	32	YBCR16010	BOLT CARRIAGE, 1/2-13 X 1-1/2 G5 ZC
11	112	YBFB20175	BOLT FLANGE, 5/8 X 1-3/4 G5
12	32	YNFG16003	NUT FLANGE, 1/2 GF
13	112	YNFG20005	NUT FLANGE, 5/8-11 LKTL F ZC

FIGURE 13
LIGHTS

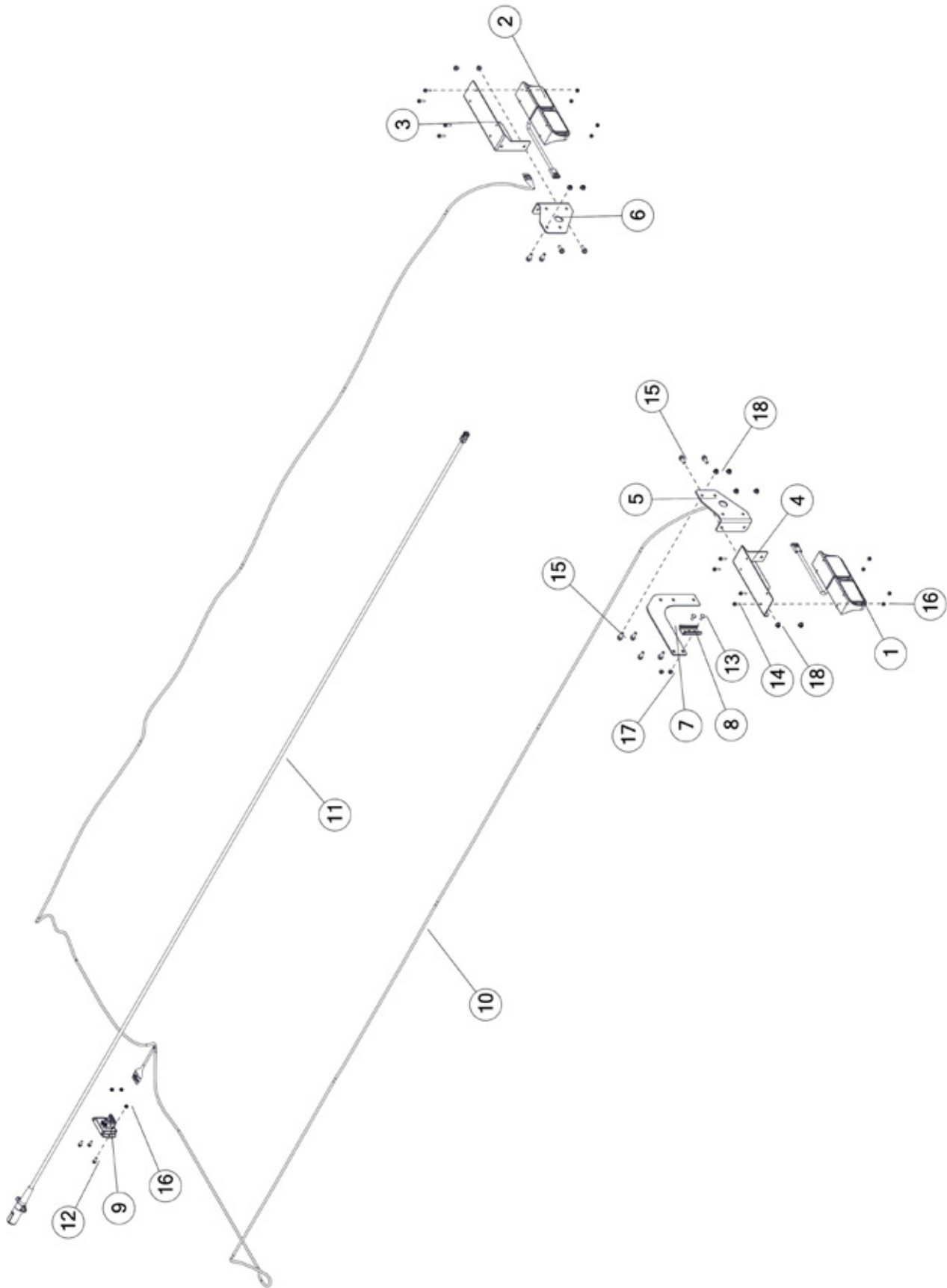


FIGURE 13 LIGHTS

<u>ITEM</u>	<u>QTY</u>	<u>PART#</u>	<u>DESCRIPTION</u>
1	1	TFM71	TAIL LIGHT, LH
2	1	TFM72	LED TAIL LIGHT ASSY, RH
3	1	90915B	LIGHT BRACKET W/DECALS, RH
4	1	90914B	LIGHT BRACKET W/DECALS, LH
5	1	90917	LIGHT BRACKET MOUNT, LH
6	1	90918	LIGHT BRACKET MOUNT, RH
7	1	42N43	SMV BRACKET
8	1	F97	SMV HOLDER
9	1	69908	MODULE, CONTROL, BLINKER
10	1	90927	ELECTRICAL HARNESS, TAILLIGHTS
11	1	94018	WIRE HARNESS
12	3	YBFB08075	BOLT FLANGE, 1/4 X 3/4 G5
13	2	YBCR10030	BOLT CARRIAGE, 5/16-18 X 3/4 G5 ZC
14	8	YBFB08100	BOLT FLANGE, 1/4 X 1 G5
15	10	YBFB12003	BOLT FLANGE, 3/8 X 1 G5
16	11	YNFG08010	NUT FLANGE, 1/4 GF
17	2	YNFG10005	NUT FLANGE, 5/16 GF
18	10	YNFG12006	NUT FLANGE, 3/8 GF

FIGURE 14 **BEATER GEARBOX ASSEMBLY**

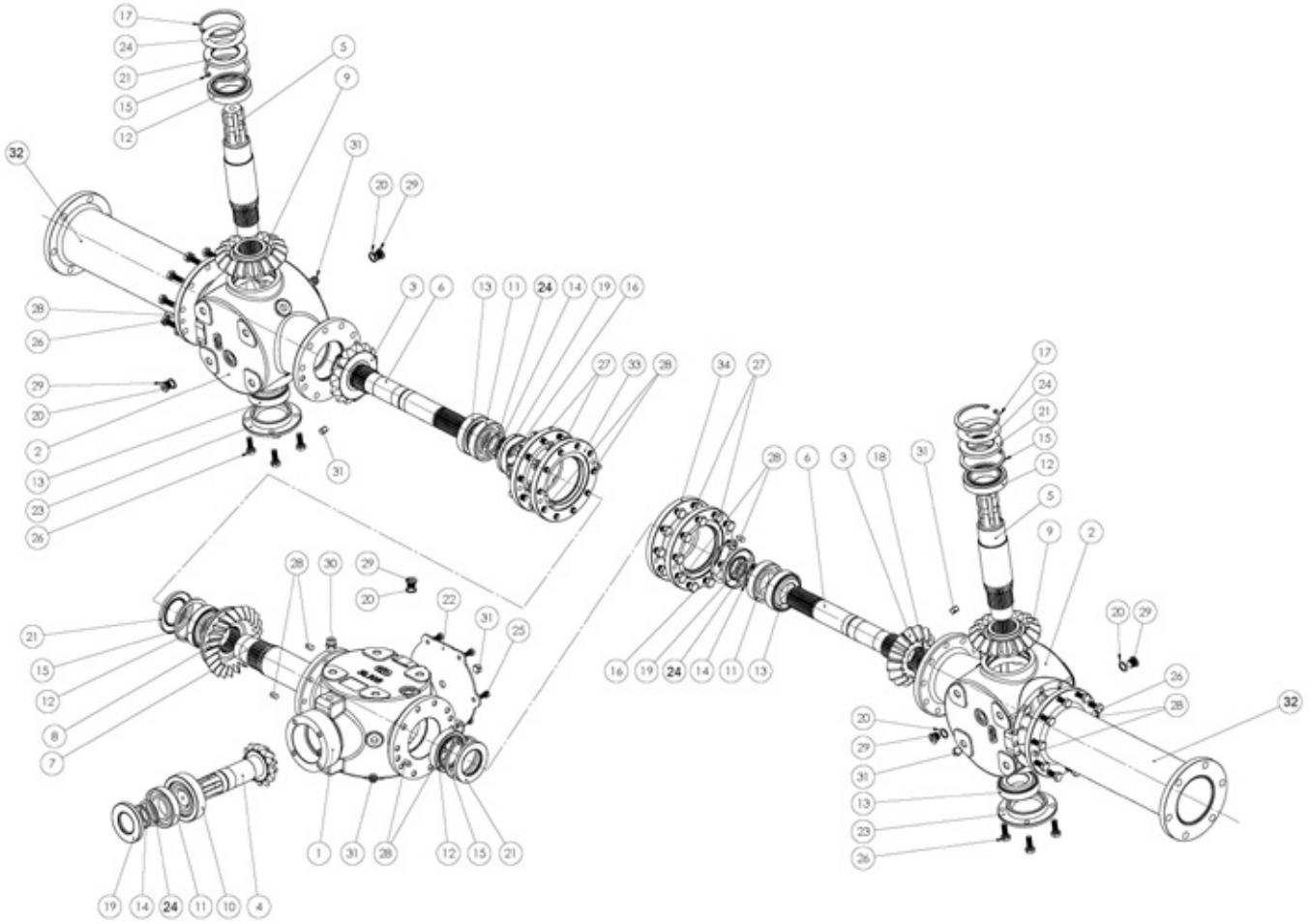


FIGURE 14

BEATER GEARBOX ASSEMBLY

<u>ITEM</u>	<u>QTY</u>	<u>PART#</u>	<u>DESCRIPTION</u>
1	1	92998	CENTER HOUSING
2	2	92999	OUTER HOUSING
3	2	93086	GEAR
4	1	93011	INPUT SHAFT
5	2	93012	OUTPUT SHAFT
6	2	93090	SHAFT
7	1	93080	CENTRAL SHAFT
8	1	93079	CROWN GEAR
9	2	93085	CROWN GEAR
10	1	93969	BEARING
11	3	93009	BEARING
12	4	93082	BEARING
13	4	93081	BEARING
14	3	93013	SNAP RING
15	4	93083	SNAP RING
16	2	93087	SNAP RING
17	2	93005	SNAP RING
18	2	93091	SNAP RING
19	3	93015	SEAL
20	6	93017	SEAL
21	4	93006	COVER
22	1	93010	COVER PLATE
23	2	93008	BASE PLATE
24	3	93007	SHIM KIT
25	6	YBHH74016	BOLT HEX, M8-1.25 X 16 8.8 ZC
26	28	YBHH76030	BOLT HEX, M10-1.5 X 30 8.8 ZC
27	40	YBHH78015	BOLT HEX, M12-1.75 X 30 8.8 ZC
28	12	93016	PIN
29	6	93003	OIL PLUG
30	1	93002	BREATHER
31	8	93004	OIL PLUG
32	2	93000	OUTER SUPPORT
33	1	93001	CENTER SUPPORT, RH
34	1	93976	CENTER SUPPORT, LH

FIGURE 15
OPTIONAL FLOW CONTROL (HPOVSC)

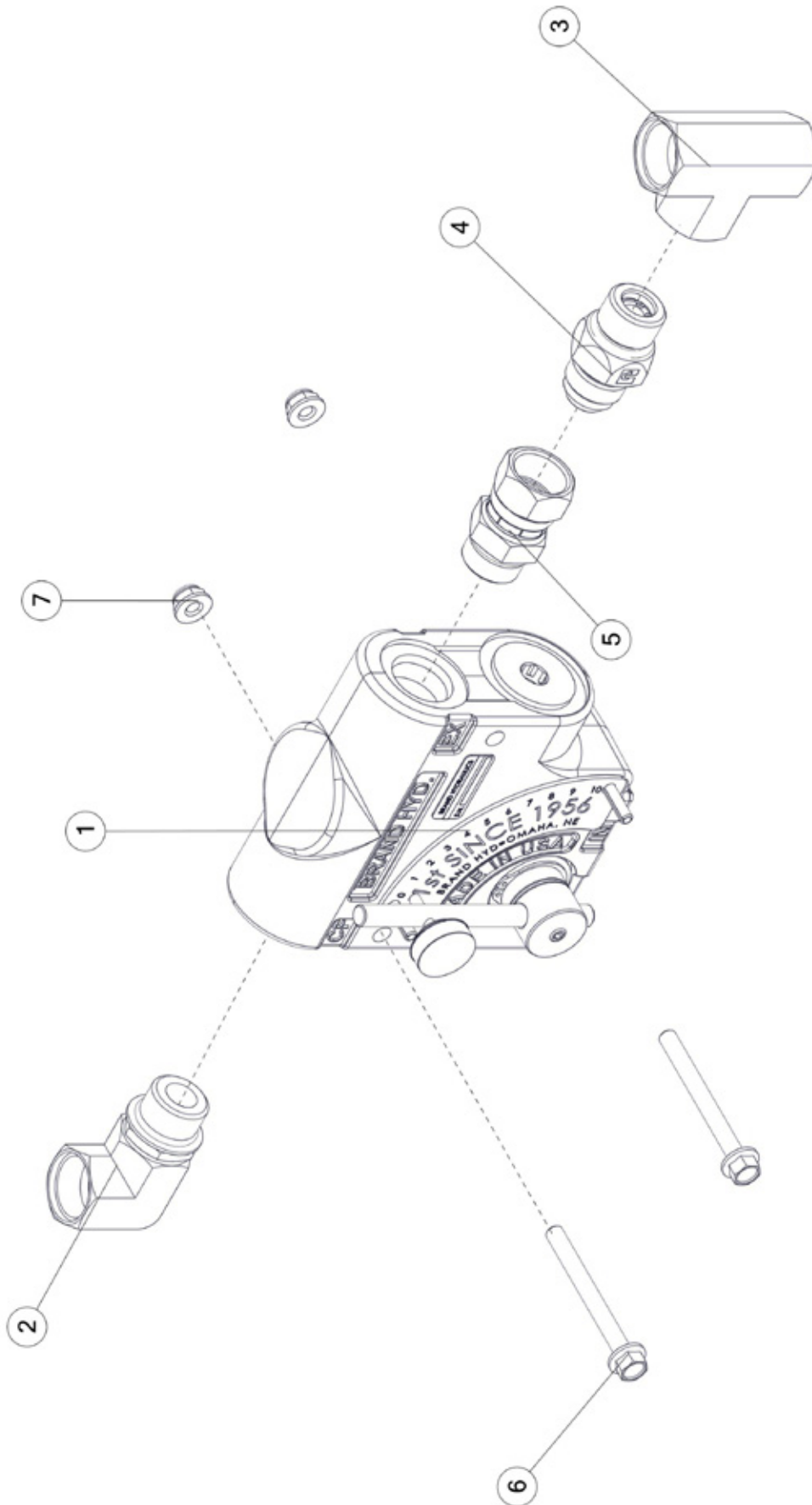


FIGURE 15
OPTIONAL FLOW CONTROL (HPOVSC)

<u>ITEM</u>	<u>QTY</u>	<u>PART#</u>	<u>DESCRIPTION</u>
1	1	89583	FLOW CONTROL
2	1	90157	FITTING 90, 10ORB, 10ORB
3	1	91707	FITTING T, 10ORB, 10ORB, 10ORB
4	1	91722	FITTING STRAIGHT, 10JIC, 10ORB, CHECK
5	2	84907	FITTING STRAIGHT, 5/8JIC, 10ORB
6	2	YBFB08250	BOLT FLANGE, 1/4 X 2-12
7	2	YNFG08010	NUT FLANGE, 1/4

FIGURE 16
OPTIONAL VARIABLE SPEED CONTROL (HPOVSEC)

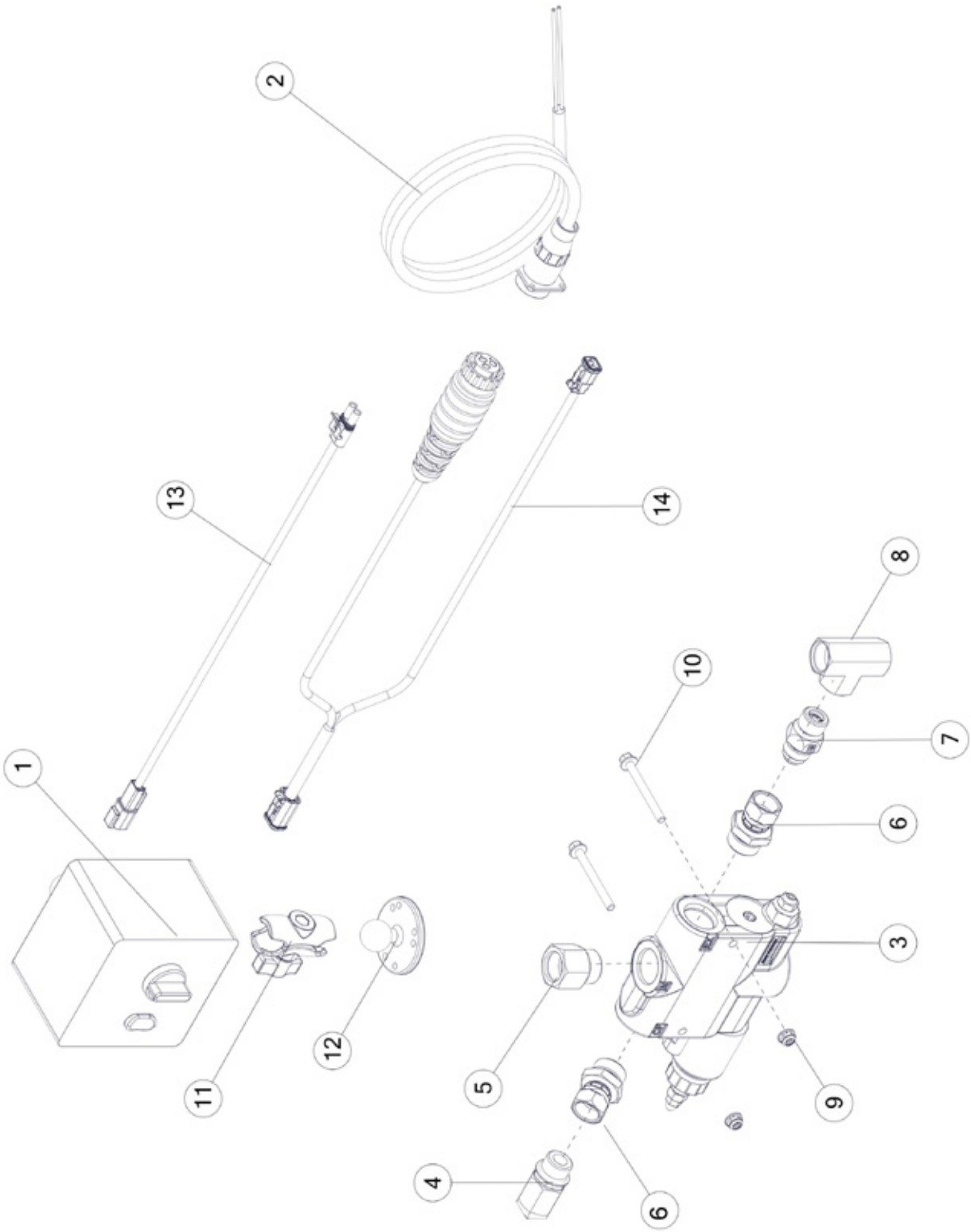


FIGURE 16
OPTIONAL VARIABLE SPEED CONTROL (HPOVSEC)

<u>ITEM</u>	<u>QTY</u>	<u>PART#</u>	<u>DESCRIPTION</u>
1	1	91719	CONTROL BOX
2	1	16SV269	TRACTOR CONTROL CABLE
3	1	89668	ELECTRIC FLOW CONTROL
4	1	GM56	FITTING 90, 10JIC, 10ORB
5	1	69135	FITTING STRAIGHT, 12ORB, 10ORB
6	2	91704	FITTING STRAIGHT, 10JIC, 12ORB
7	1	91722	FITTING STRAIGHT, 10JIC, 10ORB, CHECK
8	1	91707	FITTING TEE, 10ORB, 10ORB, 10ORB
9	2	YNFG08010	NUT FLANGE, 1/4 GF
10	2	YBFB08250	BOLT FLANGE, 1/4 X 2-1/2 G5
11	1	85272	RAM DOUBLE SOCKET SHORT ARM
12	1	71445	MOUNT, RAM, CTRL MODULE
13	1	91712	IMPLEMENT HARNESS
14	1	91713	CAB HARNESS

FIGURE 17
OPTIONAL SCREEN EXTENSION (HPOFASE)

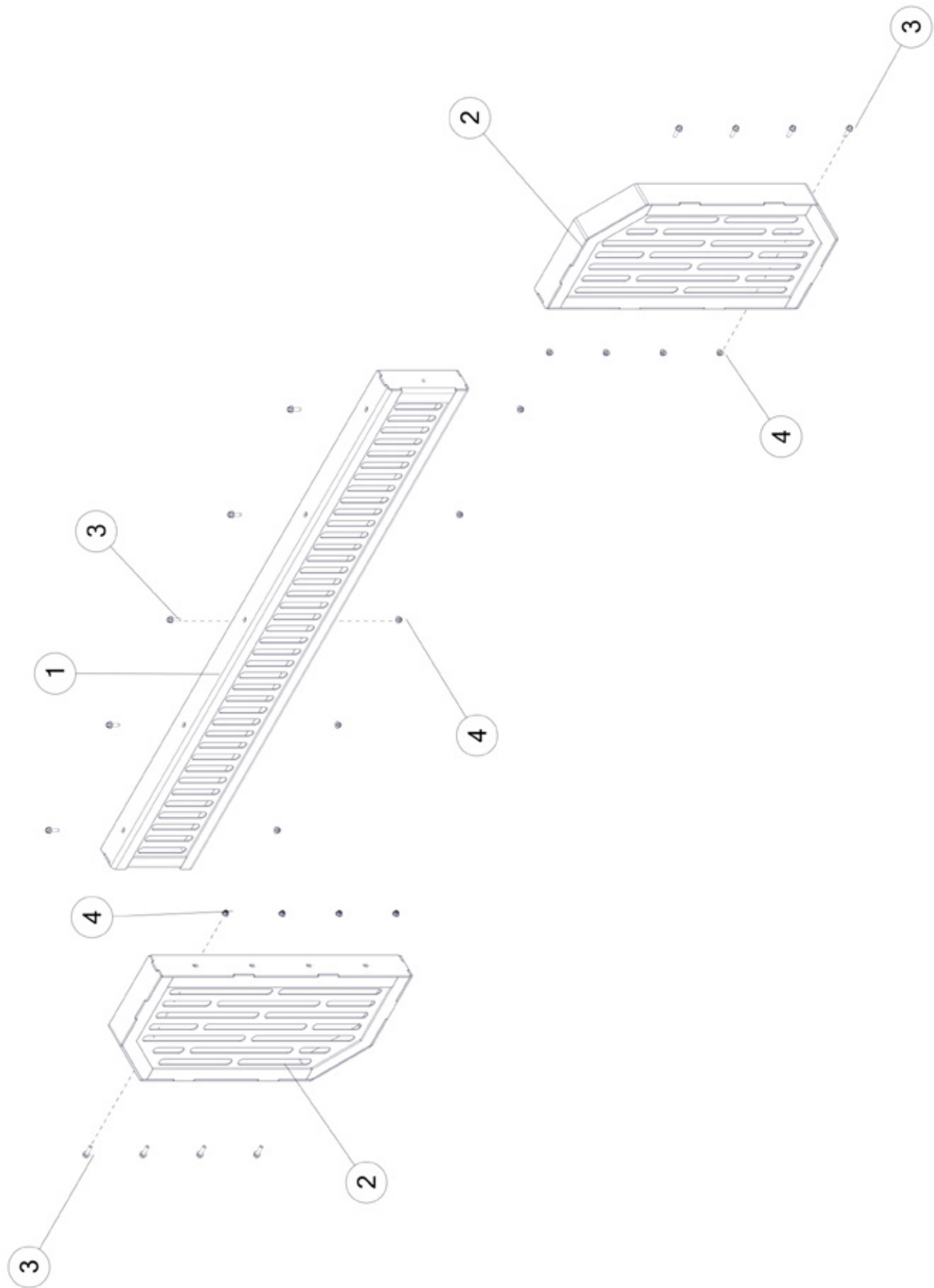


FIGURE 17
OPTIONAL SCREEN EXTENSION (HPOF ASE)

<u>ITEM</u>	<u>QTY</u>	<u>PART#</u>	<u>DESCRIPTION</u>
1	1	89691	STONE GUARD UPPER EXTENSION
2	2	89681	STONE GUARD SIDE EXTENSION
3	13	YBFB12125	BOLT FLANGE, 3/8 X 1-1/4 G5
4	13	YNFG12006	NUT FLANGE, 3/8 GF

FIGURE 18
HPO1034CV PTO

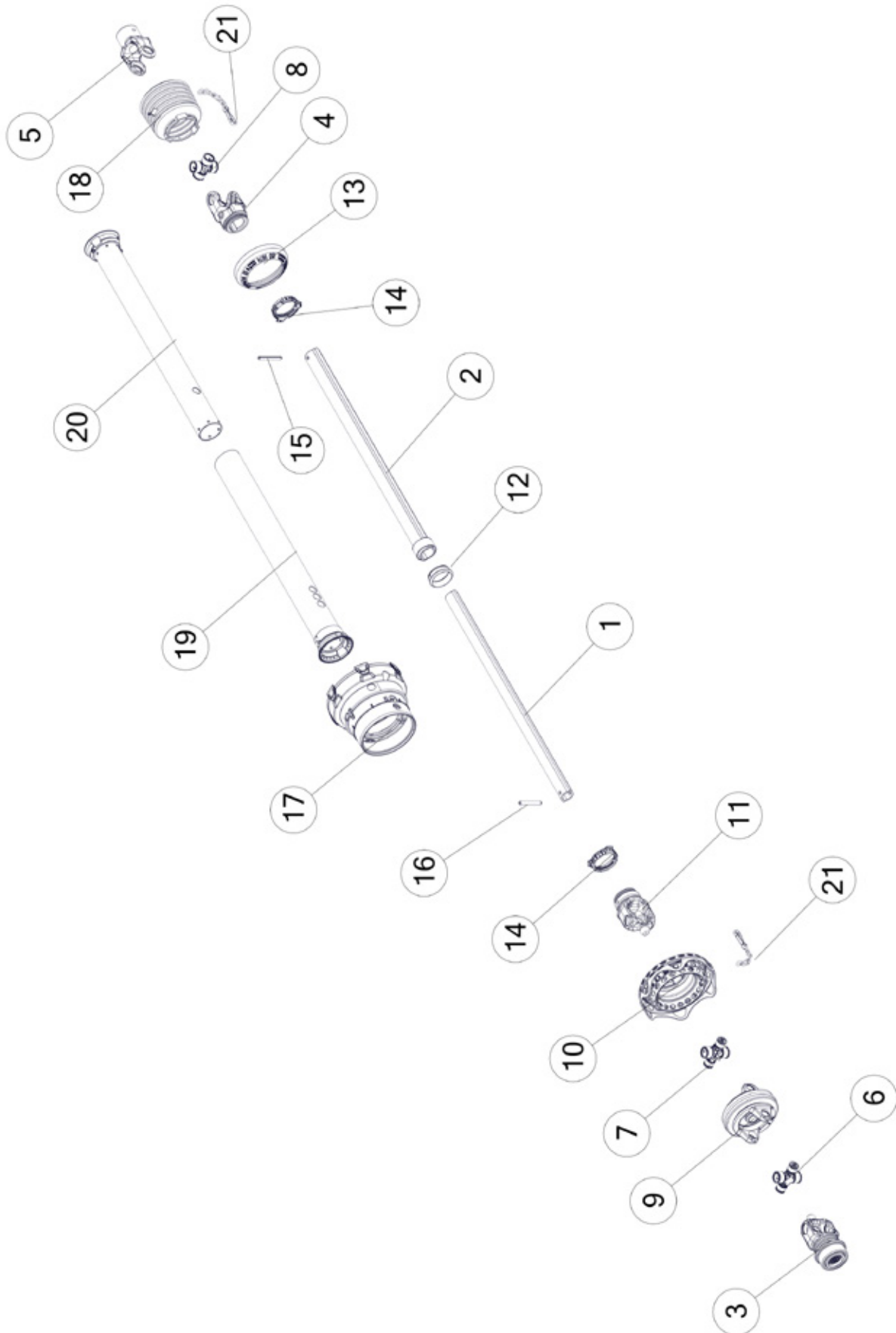


FIGURE 18
HPO1034CV PTO

<u>ITEM</u>	<u>QTY</u>	<u>PART#</u>	<u>DESCRIPTION</u>
1	1	89772	INNER SHAFT
2	1	89790	OUTER SHAFT
3	1	89799	YOKE
4	1	89787	YOKE
5	1	89789	YOKE
6	1	89768	CROSS AND BEARING KIT
7	1	89770	CROSS AND BEARING KIT
8	1	89786	CROSS AND BEARING KIT
9	1	89769	DOUBLE YOKE
10	1	89776	NET GUARD
11	1	89771	INBOARD YOKE
12	1	89793	SUPPORT BEARING
13	1	89792	REINFORCING COLLAR
14	2	87919	BEARING RING
15	1	87920	SPRING PIN
16	1	89773	SPRING PIN
17	1	89784	CV GUARD
18	1	87926	GUARD CONE
19	1	89774	OUTER GUARD TUBE
20	1	89791	GUARD TUBE INNER
21	2	87916	RESTRAINT CHAIN
*	1	89800	COMPLETE PTO

FIGURE 19
HPO1038CV PTO

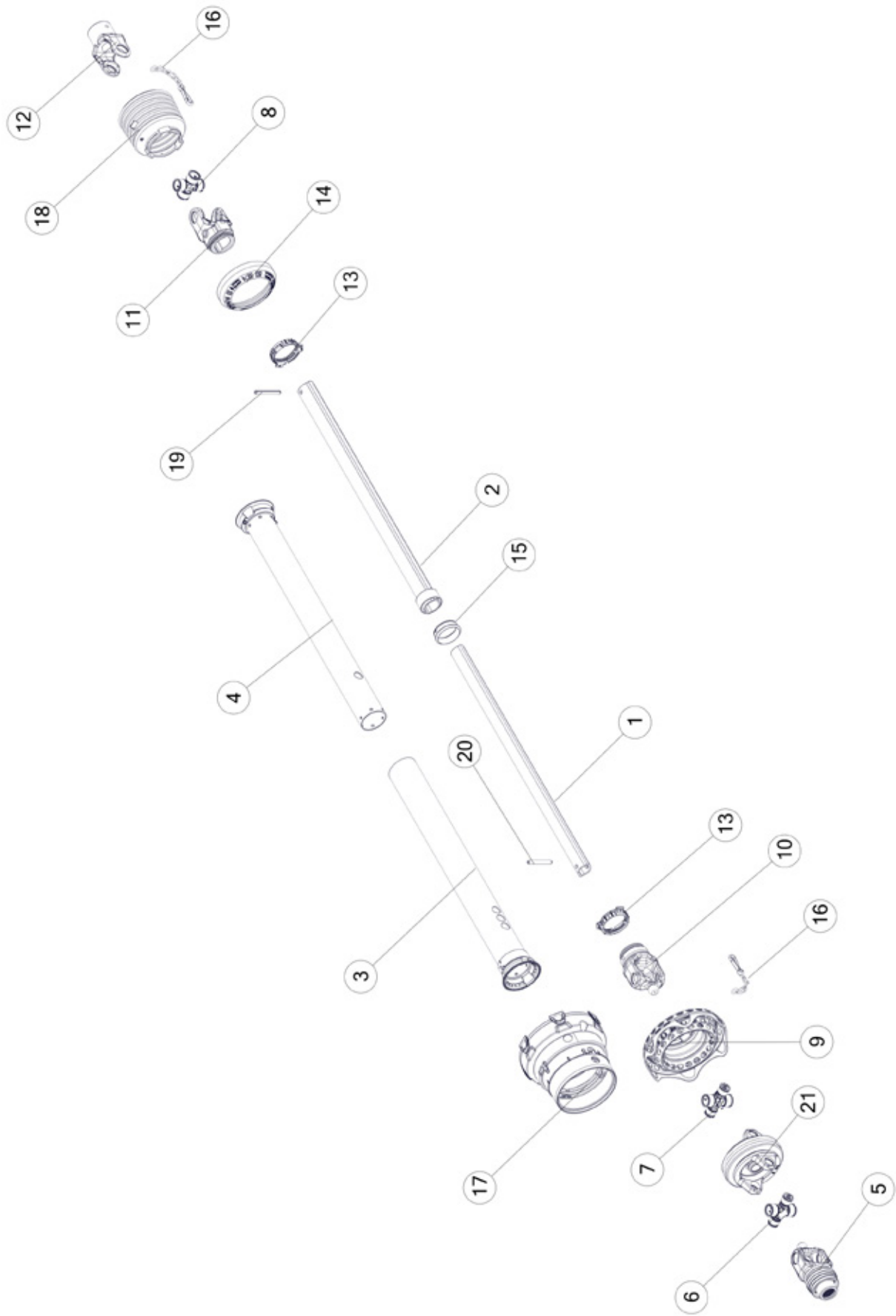


FIGURE 19
HPO1038CV PTO

<u>ITEM</u>	<u>QTY</u>	<u>PART#</u>	<u>DESCRIPTION</u>
1	1	89772	INNER SHAFT
2	1	89790	OUTER SHAFT
3	1	89774	OUTER GUARD TUBE
4	1	89791	GUARD TUBE INNER
5	1	89767	YOKE ASSEMBLY
6	1	89768	CROSS AND BEARING KIT
7	1	89770	CROSS AND BEARING KIT
8	1	89786	CROSS AND BEARING KIT
9	1	89776	NET GUARD
10	1	89771	INBOARD YOKE
11	1	89787	YOKE
12	1	89789	YOKE
13	2	87919	BEARING RING
14	1	89792	REINFORCING COLLAR
15	1	89793	SUPPORT BEARING
16	2	87916	RESTRAINT CHAIN
17	1	89784	CV GUARD
18	1	87926	GUARD CONE
19	1	87920	SPRING PIN
20	1	89773	SPRING PIN
21	1	89769	DOUBLE YOKE
*	1	89794	COMPLETE PTO

FIGURE 20
1000 RPM PTO

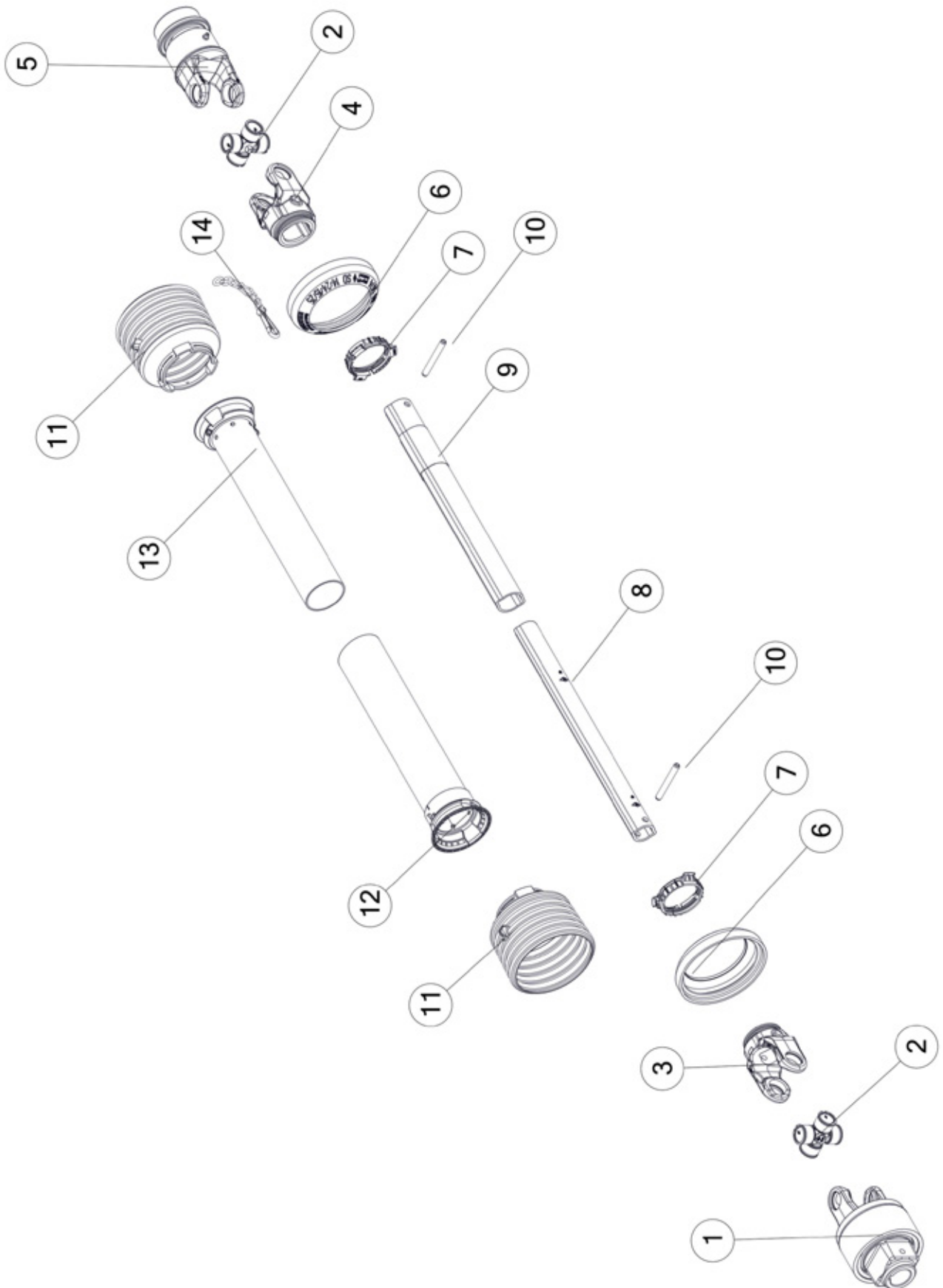


FIGURE 20
1000 RPM PTO

<u>ITEM</u>	<u>QTY</u>	<u>PART#</u>	<u>DESCRIPTION</u>
1	1	87929	CUT OUT CLUTCH
2	2	87923	CROSS BEARING KIT
3	1	87922	YOKE
4	1	89787	YOKE
5	1	87928	OVERRUNNING CLUTCH
6	2	87918	REINFORCING COLLAR
7	2	87919	BEARING RING
8	1	87930	INNER SHAFT
9	1	87934	OUTER SHAFT
10	2	87920	SPRING PIN
11	2	87927	GUARD CONE
12	1	87931	OUTER GUARD TUBE
13	1	87936	INNER GUARD TUBE
14	1	87916	RESTRAINT CHAIN
*	1	87914	COMPLETE PTO, 1-3/4 1000 RPM

FIGURE 21
OPTIONAL TWP600S (HPOHTA550)

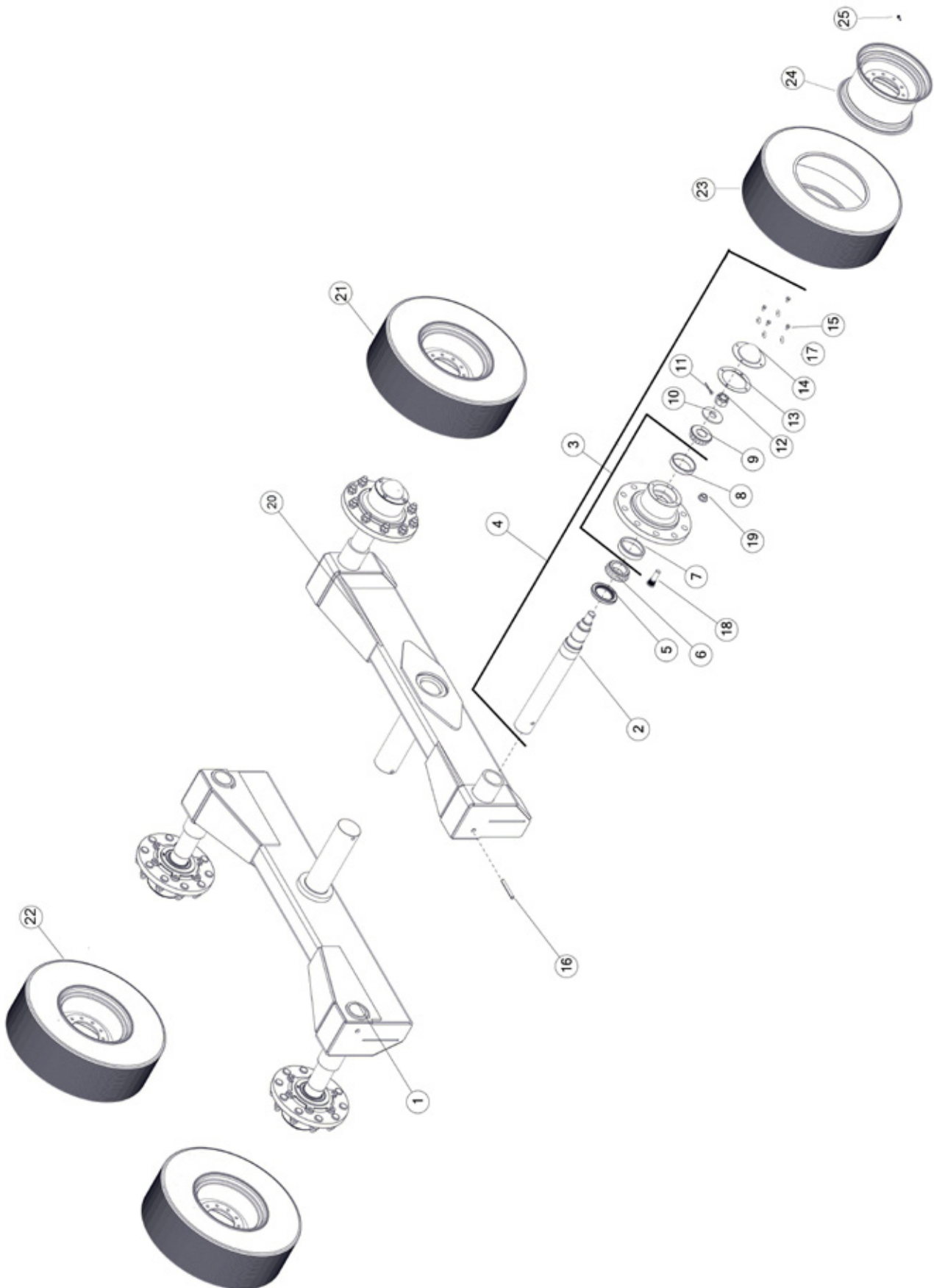


FIGURE 21

OPTIONAL TWP600S (HPOHTA550)

<u>ITEM</u>	<u>QTY</u>	<u>PART#</u>	<u>DESCRIPTION</u>
1	1	59596	TANDEM AXLE, RH
2	4	93125	SPINDLE, 3 X 25-3/4
3	4	93123	HUB
4	4	93136	HUB AND SPINDLE ASSEMBLY
5	4	93128	SEAL
6	4	54505	TAPERED ROLLER BEARING, 2.495 BORE
7	4	93121	BEARING CUP
8	4	93122	BEARING CUP
9	4	54506	TAPERED ROLLER BEARING, 1.75 BORE
10	4	93129	WASHER
11	4	YPCT08007	COTTER PIN, 1/4 X 2
12	4	YNSL36010	NUT SLOT, 1-1/4-12 NA G5
13	4	93130	GASKET
14	4	93131	HUB CAP
15	16	YBHH10105	BOLT HEX, 3/4 X 1/2 G5
16	4	YPEX16020	EXPANSION PIN, 1/2 X 4
17	16	YWLO10005	WASHER LOCK, 5/16
18	40	YBSD24010	BOLT STUD, 3/4 X 2-3/4
19	40	60N14	NUT HEX, FLANGE, 3/4 UNF-28 G8
20	1	59595	TANDEM AXLE, LH
*	1	TWP600S	COMPLETE TIRE AND WHEEL SET
21	2	90196	TIRE AND WHEEL ASSEMBLY, LH
22	2	90204	TIRE AND WHEEL ASSEMBLY, RH
23	1	FBC36	TIRE, 600/50 22.5 16PLY
24	1	90190	WHEEL, 22.5 X 20.0 10B
25	1	72437	VALVE STEM

* NOT SHOWN

CHANGE NOTES

H&S MFG. CO.

products approved

for the

FEMA

SEAL OF QUALITY



Manufactured by:

H&S MANUFACTURING CO., INC.

2608 S. HUME AVE. MARSHFIELD, WI 54449

(715) 387-3414 | hsmfgco.com

