



# **PARTS BOOK**

**HPV4255**

**MANURE SPREADER**

Part #91692

Rev. #05

HSMFG011024

Starting Ser. #422VP55001





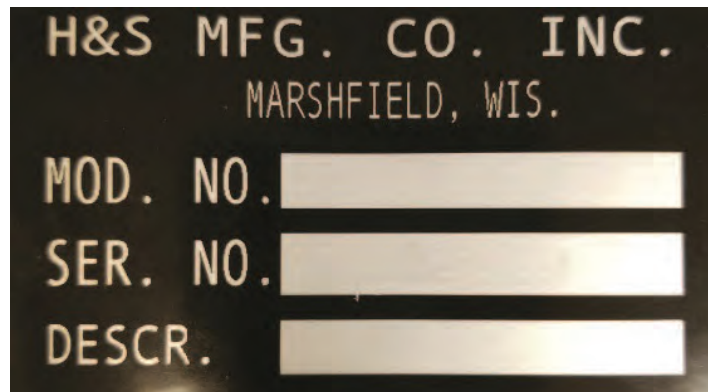
# INSTRUCTIONS FOR ORDERING PARTS

All service parts should be ordered through your authorized H&S dealer. Your Dealership will be able to give you faster service if you will provide them with the following:

1. All references to left or right apply to the machine as viewed from the rear.
2. Parts should not be ordered from illustration only. Please order complete part number.
3. If your dealer has to order parts - give shipping instructions:

VIA truck - large pieces (please specify local truck lines)

VIA United Parcel Service (include full address)



MODEL & SERIAL NUMBER LOCATED ON  
FRONT, LEFT SIDE OF PTO BEARING SUPPORT MOUNT

PLEASE RECORD NUMBERS FOR YOUR UNIT FOR QUICK REFERENCE

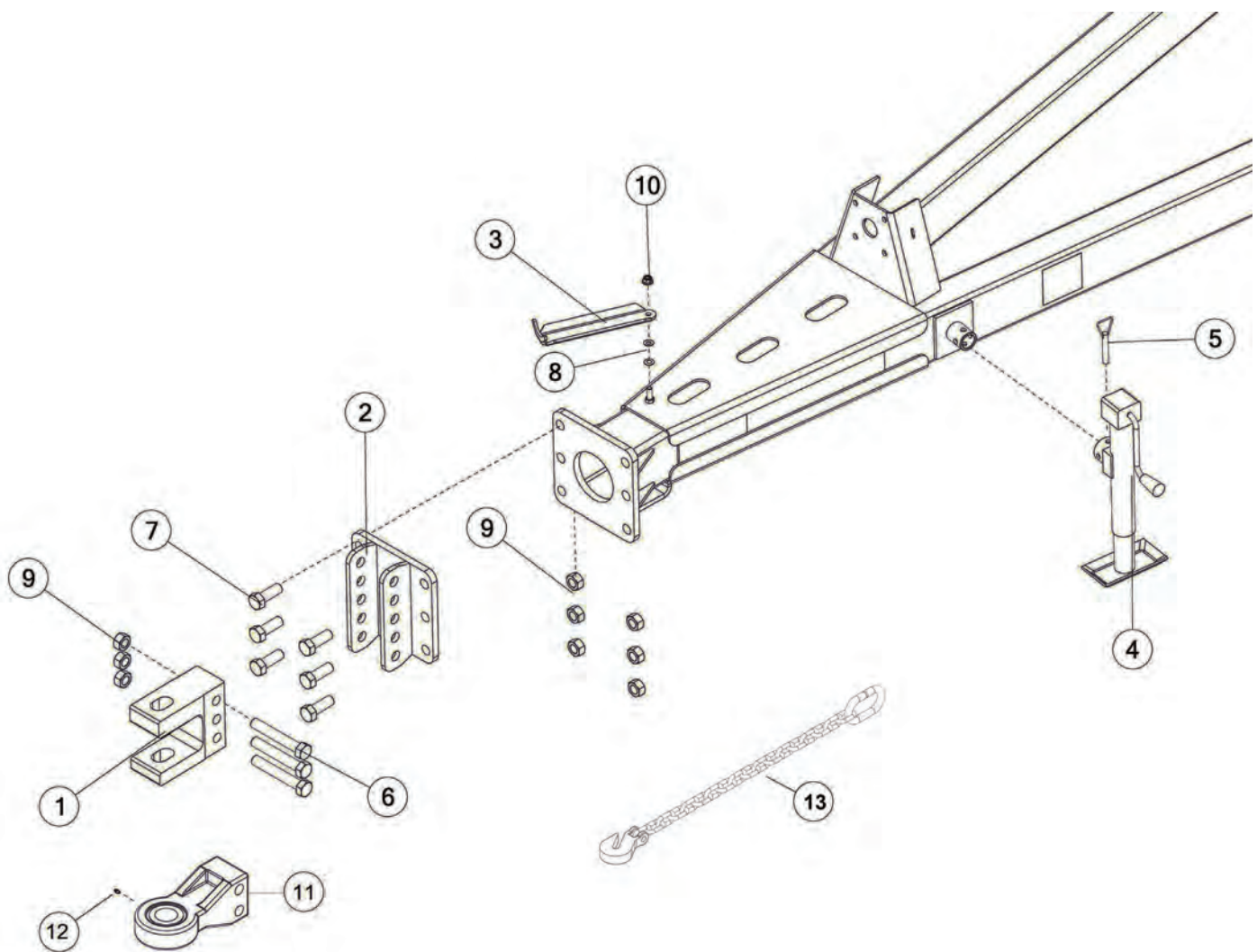
H&S IS CONTINUALLY STRIVING TO IMPROVE ITS PRODUCTS

We must, therefore, reserve the right to make improvements or changes whenever it becomes practical to do so, without incurring any obligation to make changes or additions to the equipment previously sold.





**FIGURE 1**  
**HITCH & COMPONENTS**

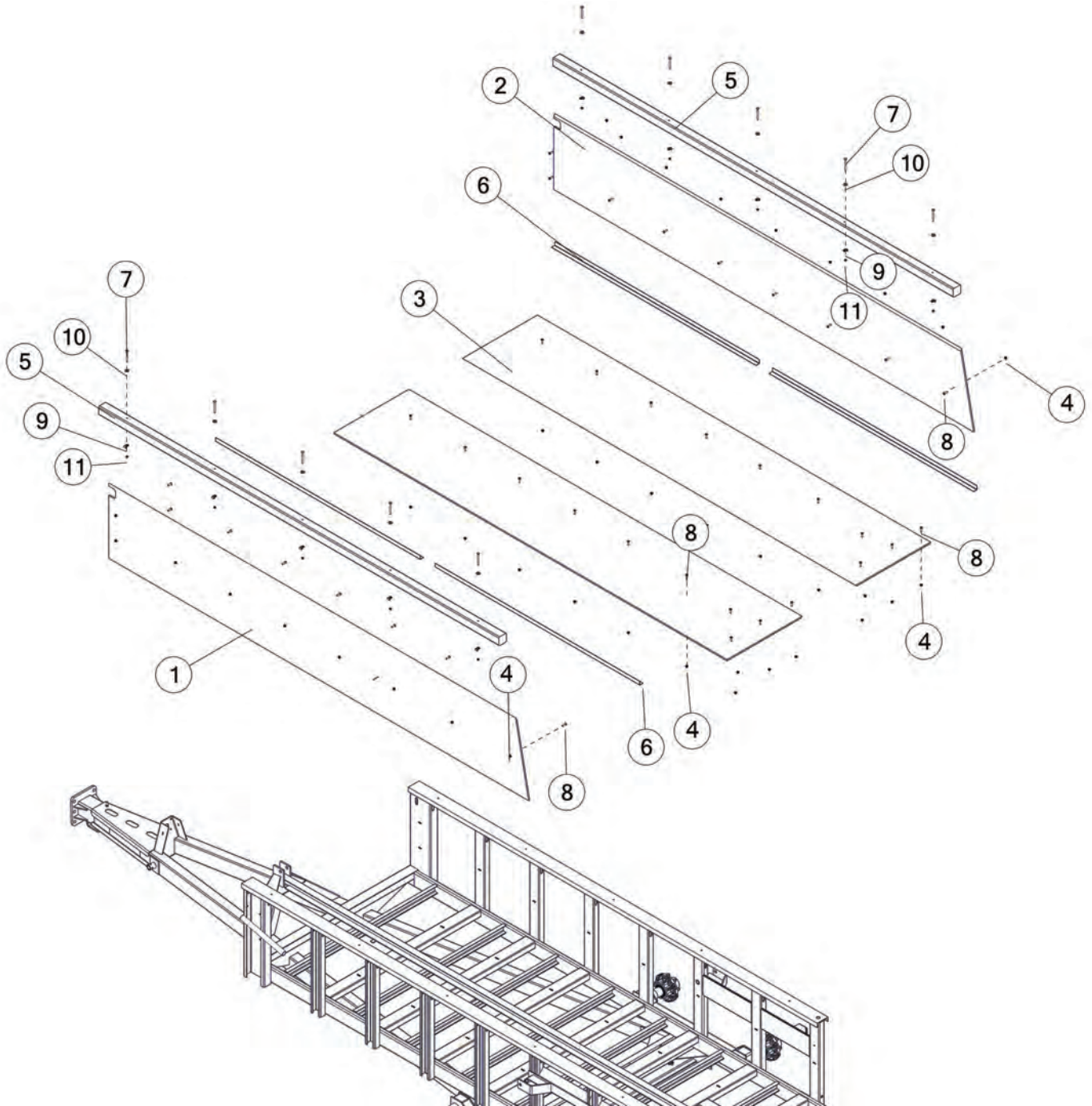








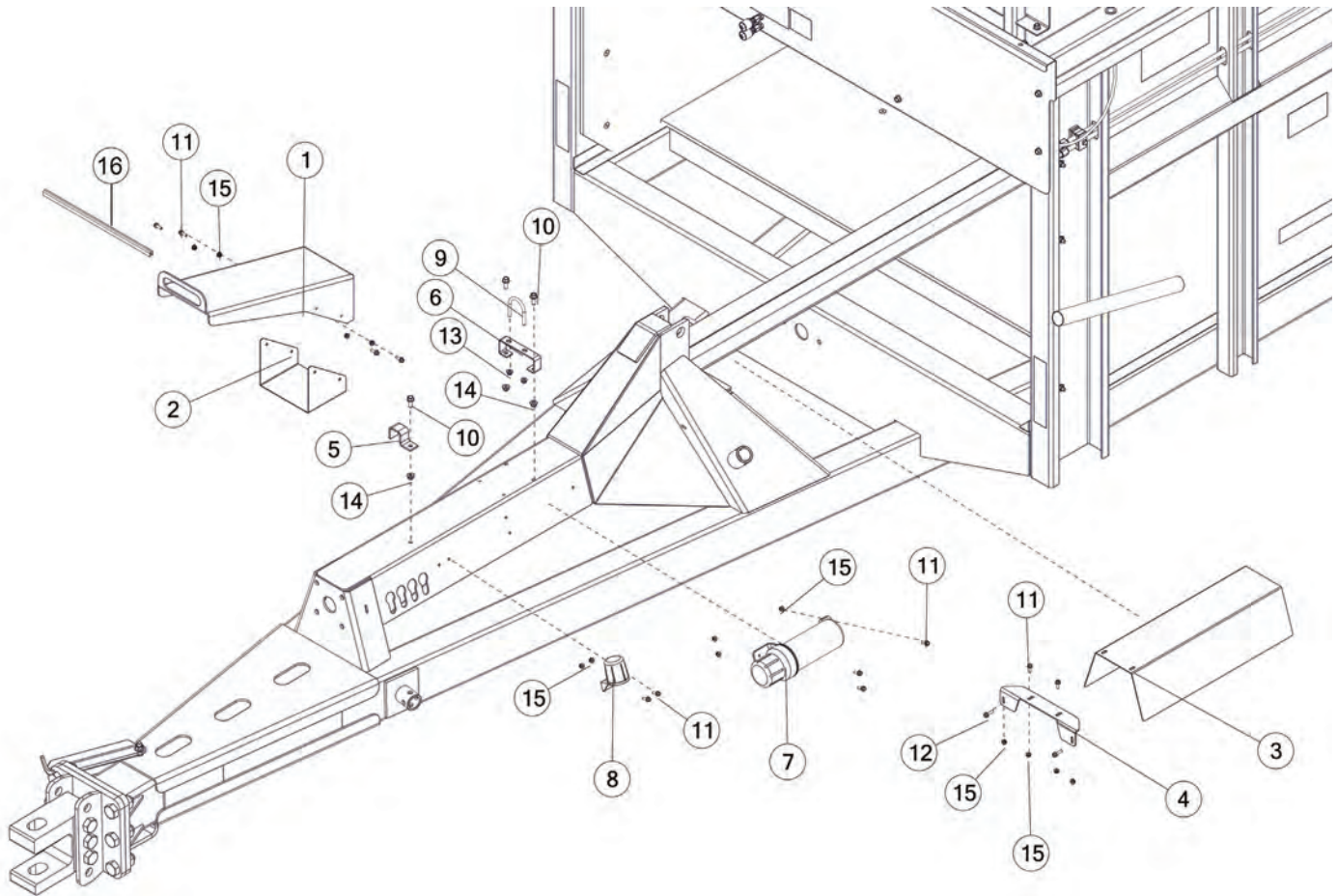
# FIGURE 2 FLOOR & SIDE COMPONENTS







**FIGURE 3**  
**PTO SHIELD & COMPONENTS**

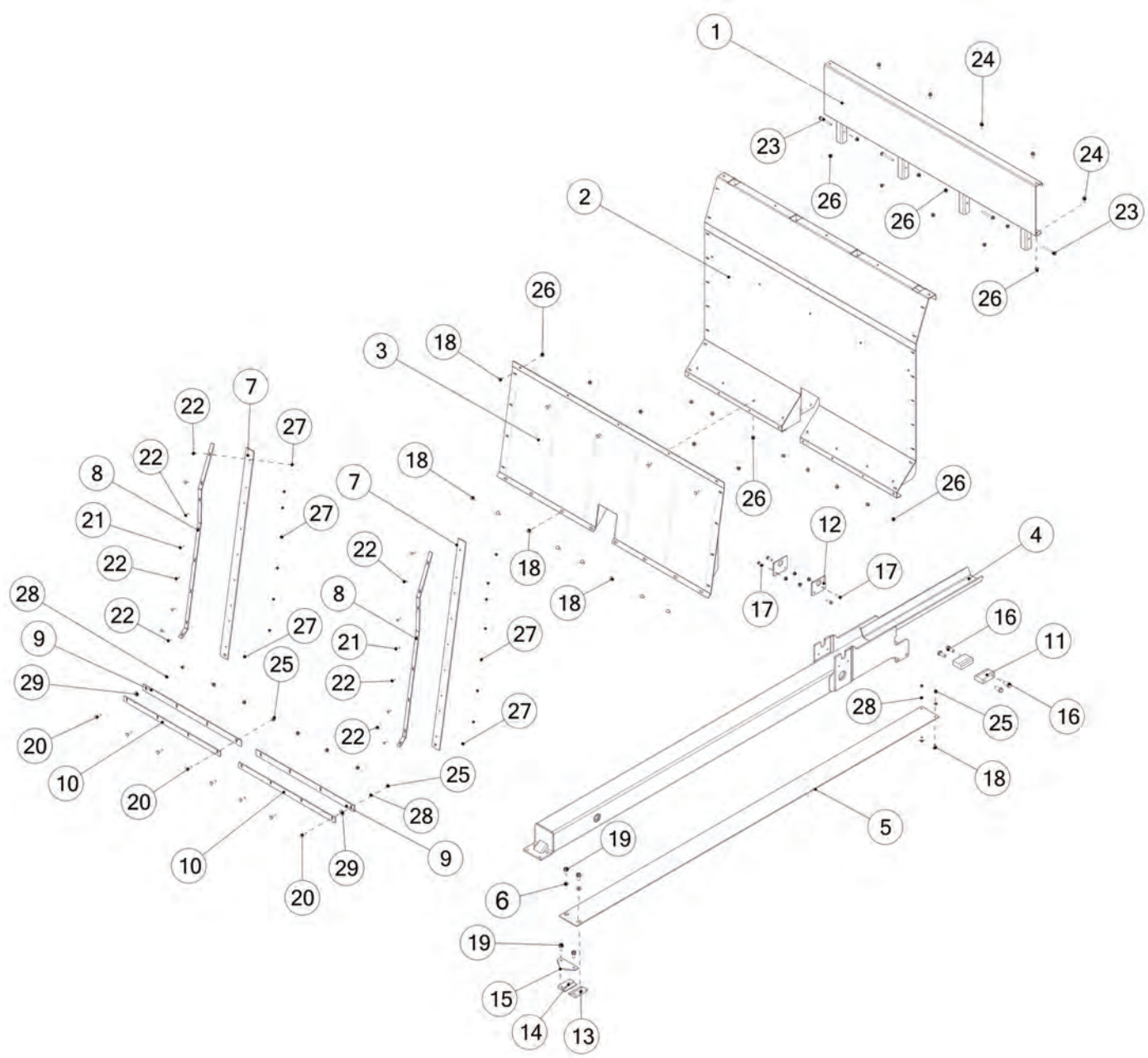








# FIGURE 4 PUSHER COMPONENTS





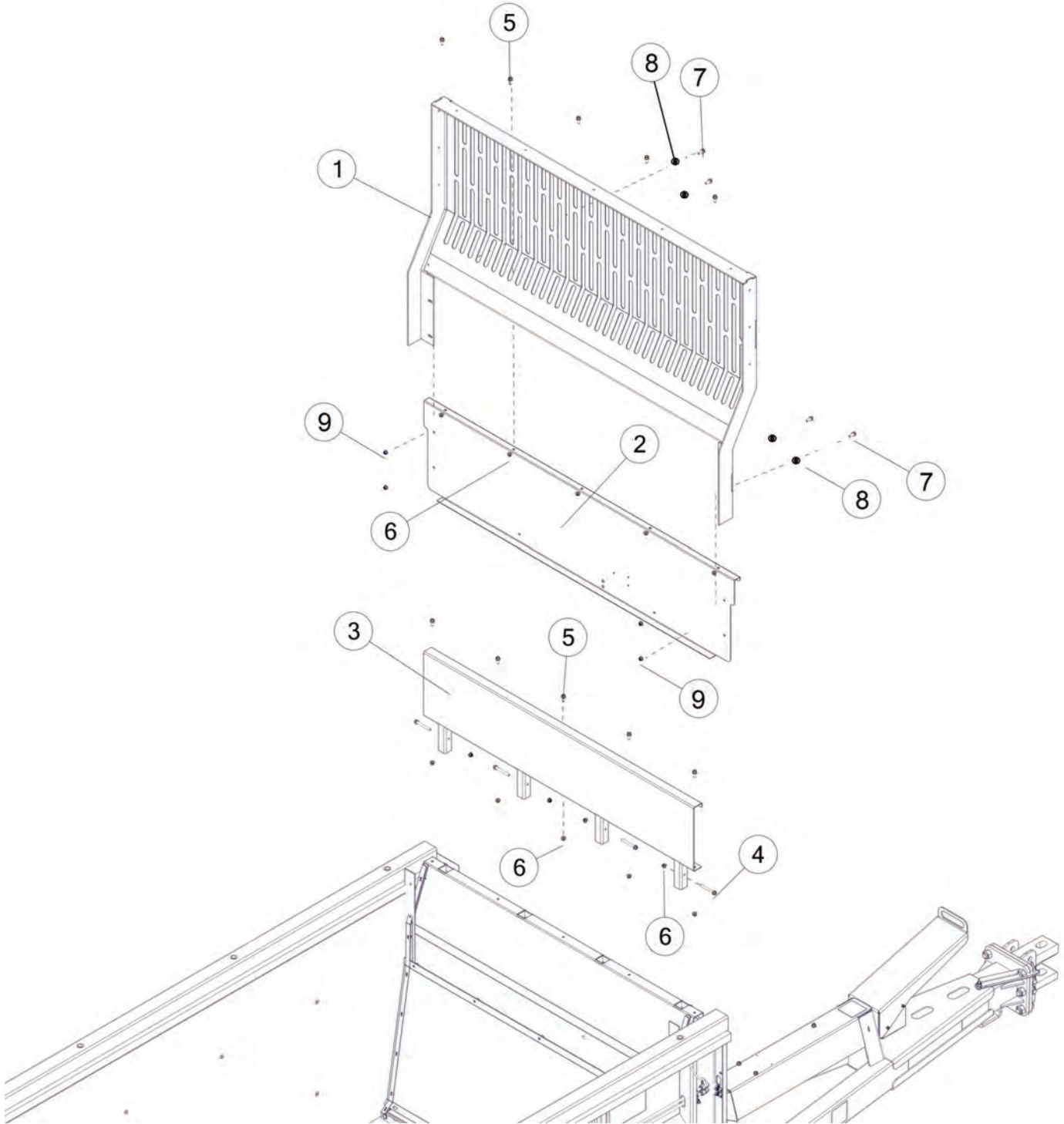
# FIGURE 4 PUSHER COMPONENTS

REF #	PART #	DESCRIPTION	QTY
1	90065	PUSHER EXTENSION	1
2	90095	PUSHER FRAME	1
3	HGV113	FLAT PUSHER FACE	1
4	55N44	MOVEABLE FLOOR	1
5	55N85	PUSHER TUBING SLIDE	1
6	42N150	POLY SPACER	2
7	97378	PUSHER RUBBER	2
8	HGV114	FLAT PUSHER SEAL STRAP	2
9	55N83	PUSHER BOTTOM RUBBER	2
10	55N81	PUSHER WIPER	2
11	55N46	PUSHER FRONT GUIDE	2
12	55N47	CYLINDER RETAINER	2
13	55N48	END CAP CLAMP RH	1
14	55N49	END CAP CLAMP LH	1
15	55N86	SCRAPER	1
16	YBHH20010	BOLT HEX, 5/8-11 X 1-1/2 G5	4
17	YBHH12035	BOLT HEX, 3/8-16 X 1-1/4 G5	4
18	YBCR12010	BOLT CARRIAGE, 3/8-16 X 1 G5 ZC	15
19	YBFB16125	BOLT FLANGE, 1/2 X 1-1/4 G5	4
20	YBCR12015	BOLT CARRIAGE, 3/8-16 X 1-1/2 G5 ZC	8
21	YBCR08015	BOLT CARRIAGE, 1/4-20 X 1-1/4 G5 ZC	2
22	YBCR08005	BOLT CARRIAGE, 1/4-20 X 1 G5 ZC	14
23	YBFB12350	BOLT FLANGE, 3/8 X 3-1/2 G5	4
24	YBFB12003	BOLT FLANGE, 3/8 X 1 G5	5
25	YNHX12005	NUT HEX, 3/8-16, NA A ZC	4
26	YNFG12006	NUT FLANGE, 3/8 GF	28
27	YNFG08010	NUT FLANGE, 1/4 GF	16
28	YWLO12005	WASHER, LOCK, 3/8	4
29	YWFL14005	WASHER, FLAT, 7/16 ZC	2






# FIGURE 5 PUSHER EXTENSION & COMPONENTS

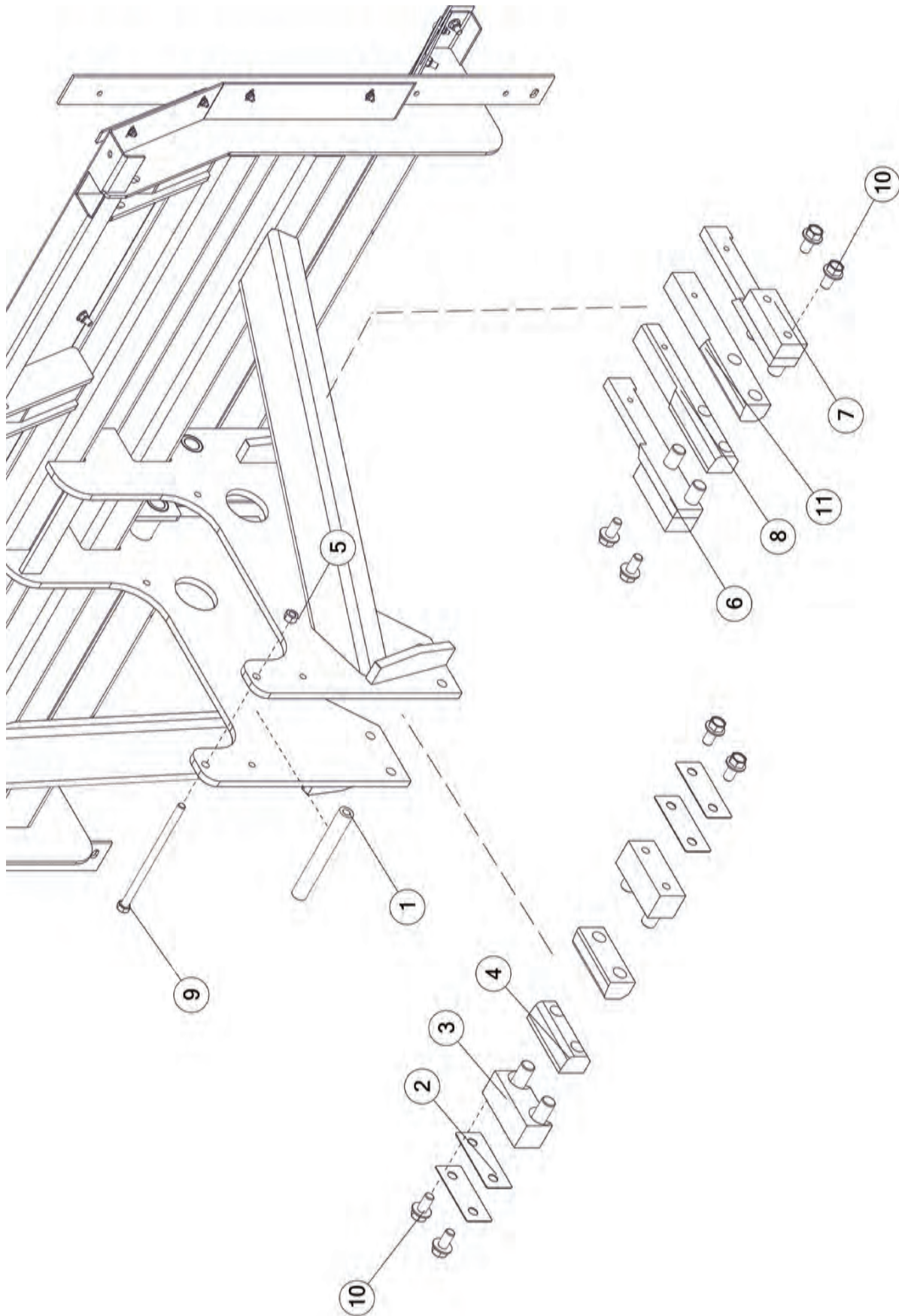








# FIGURE 6 PUSHER SPACERS & COMPONENTS

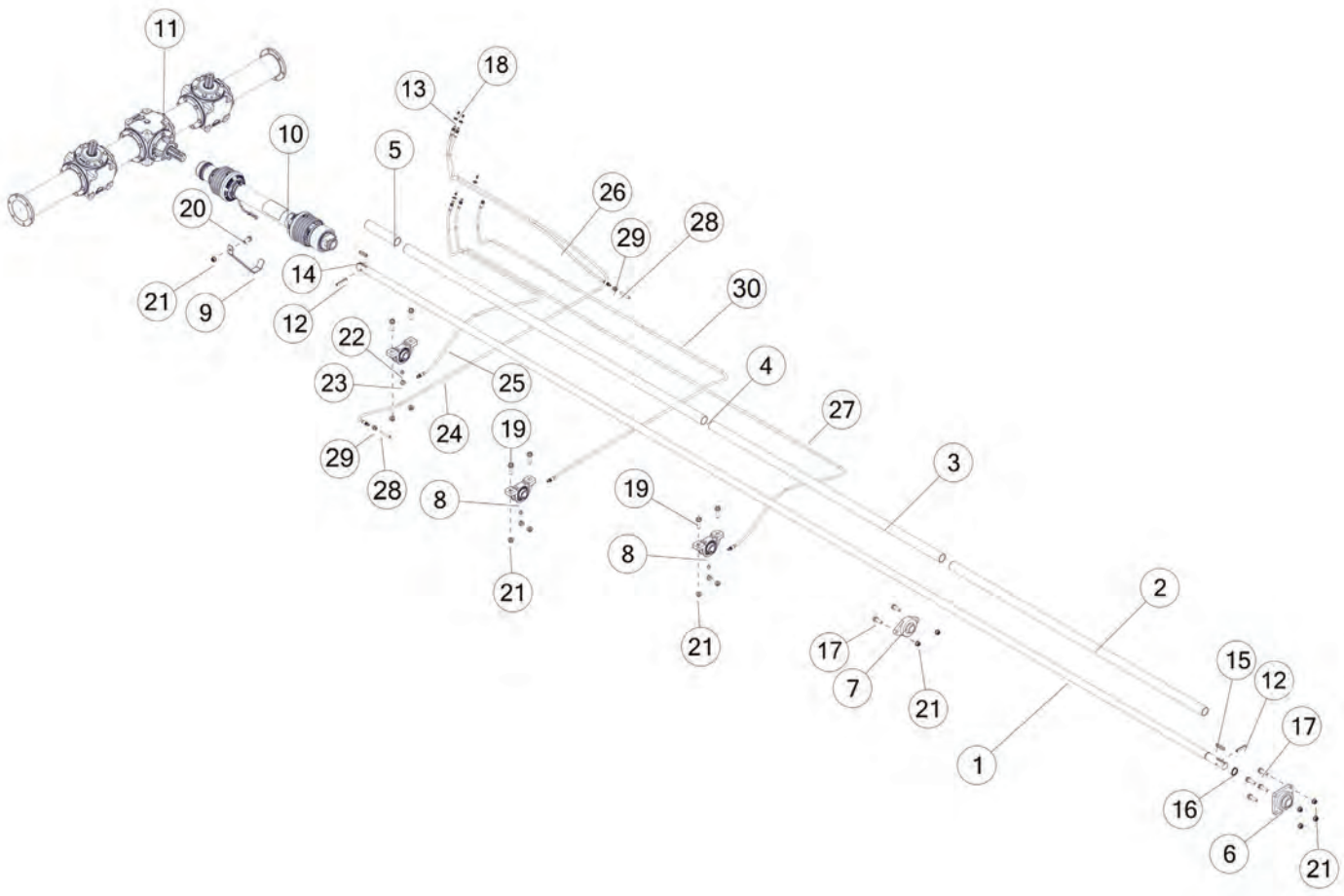






# FIGURE 7

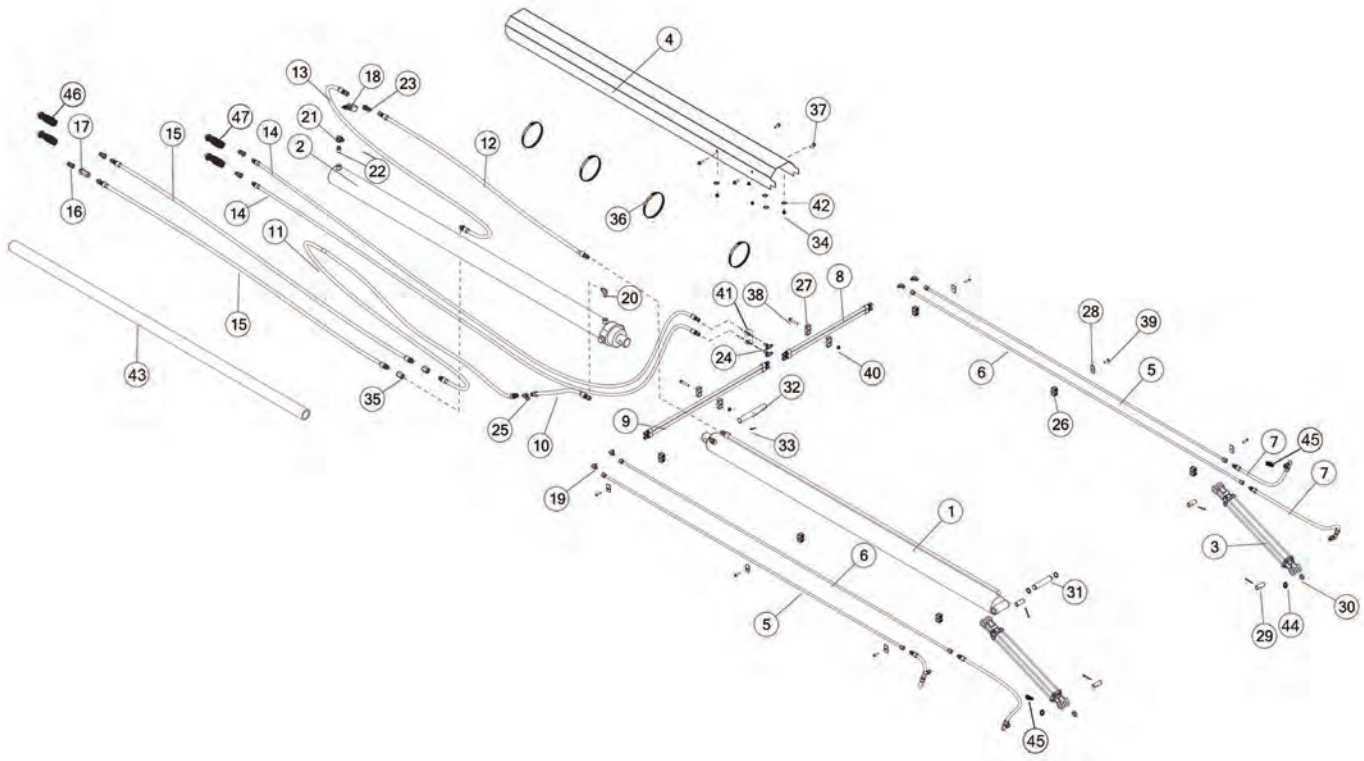
## GEARBOX DRIVE & COMPONENTS







# FIGURE 8 HYDRAULICS





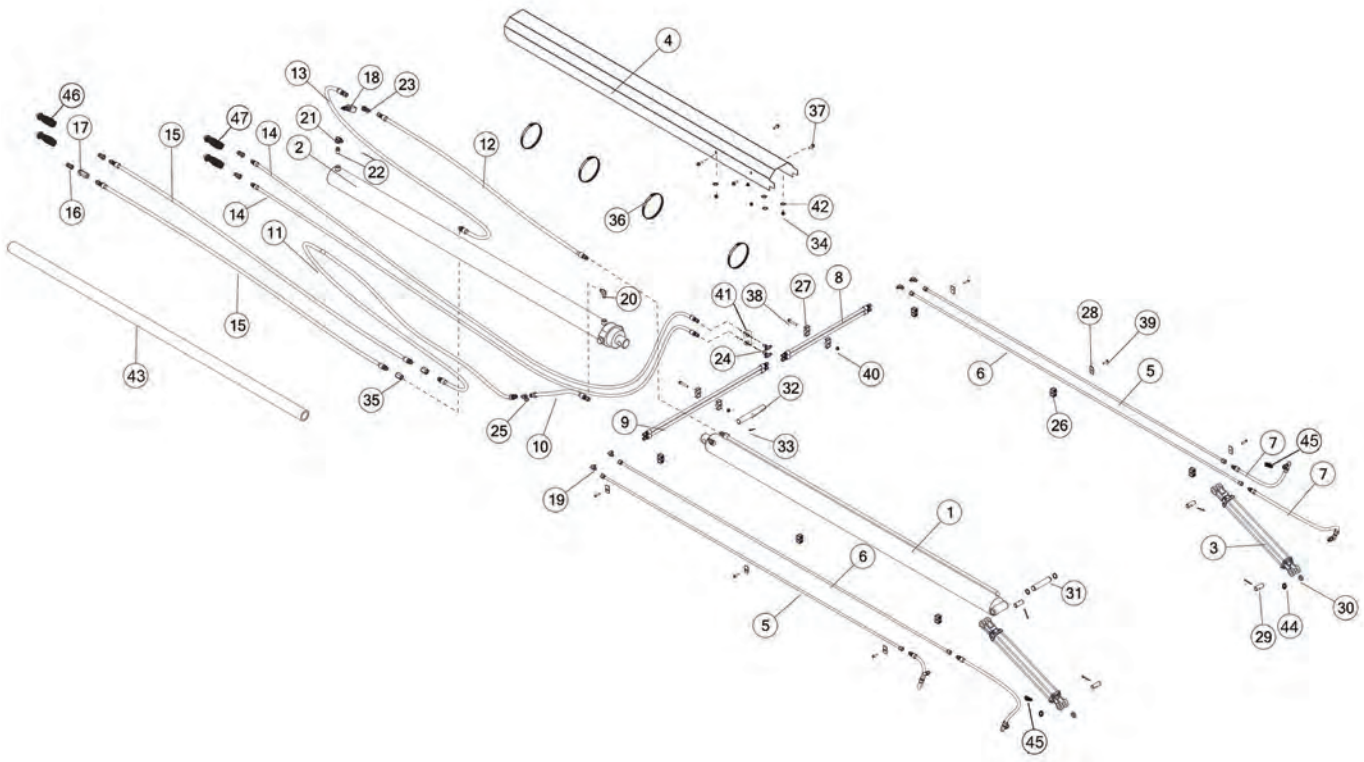


REF #	PART #	DESCRIPTION	QTY
1	55N33	HYDRAULIC CYLINDER, TRUNNION 4.5 X 90	1
2	55N32	HYDRAULIC CYLINDER, GIMBAL 4.5 X 90	1
3	90970	HYDRAULIC CYLINDER, 2 X 20	2
4	88870B	CYLINDER SHIELD W/DECALS	1
5	90973	HYDRAULIC TUBE, 1/2 X 108	2
6	89070	HYDRAULIC TUBE, 1/2 X 120	2
7	99825	HYDRAULIC HOSE, 6, 36	4
8	89635	HYDRAULIC HOSE, 6, 32	2
9	89632	HYDRAULIC HOSE, 6, 45	2
10	89654	HYDRAULIC HOSE, 8, 21	1
11	89665	HYDRAULIC HOSE, 8, 166	1
12	89652	HYDRAULIC HOSE, 8, 76	1
13	89659	HYDRAULIC HOSE, 8, 90	1
14	89629	HYDRAULIC HOSE, 6, 182	2
15	89662	HYDRAULIC HOSE, 8, 110	2
16	67148	FTG, ST, 8ORB, QUICK COUPLER TIP	4
17	89576	HYDRAULIC VALVE, CHECK	1
18	89573	HYDRAULIC VALVE, SEQUENCE	1
19	58187	FITTING 8-6 ETX-S	4
20	58189	FITTING, 90, 8JIC X 1/2NPT	1
21	1056	-8ORB TO -8ORB 90 DEG	1
22	TFM89	FITTING, STRAIGHT, 8ORB X 1/2NPT	1
23	89643	FITTING T, 8JIC, 8JIC, 8ORB	1
24	8005	FITTING TEE, 8JIC X 8JIC X 8JIC, BULKHEAD	1
25	TS139	FITT T, 8JIC, 8JIC, 8JIC	1
26	TS118	LINE CLAMP BLOCK ( PART OF T2008S)	6
27	86567	DOUBLE CLAMP, UNIVERSAL	4
28	56563	CLAMP TOP PLATE	6
29	56N141	CYLINDER PIN	4
30	K132	SPACER, 3/8 LONG	2
31	55N50	REAR CYLINDER PIN	1
32	55N34	CYLINDER PIN	1
33	YPCT05025	COTTER PIN, 5/32 X 2	6
34	YNHX12005	NUT HEX, 3/8 G2	4
35	90154	FITTING STRAIGHT, 10ORB, 10ORB	2
36	55N66	HOSE CLAMP SAE #104	1
37	YBFB12125	BOLT FLANGE, 3/8 X 1-1/4 G5	4
38	YBFB12250	BOLT FLANGE, 3/8 X 2-1/2 G5	2
39	56568	CLAMP BOLT 5/16-18 x 1-3/8	6

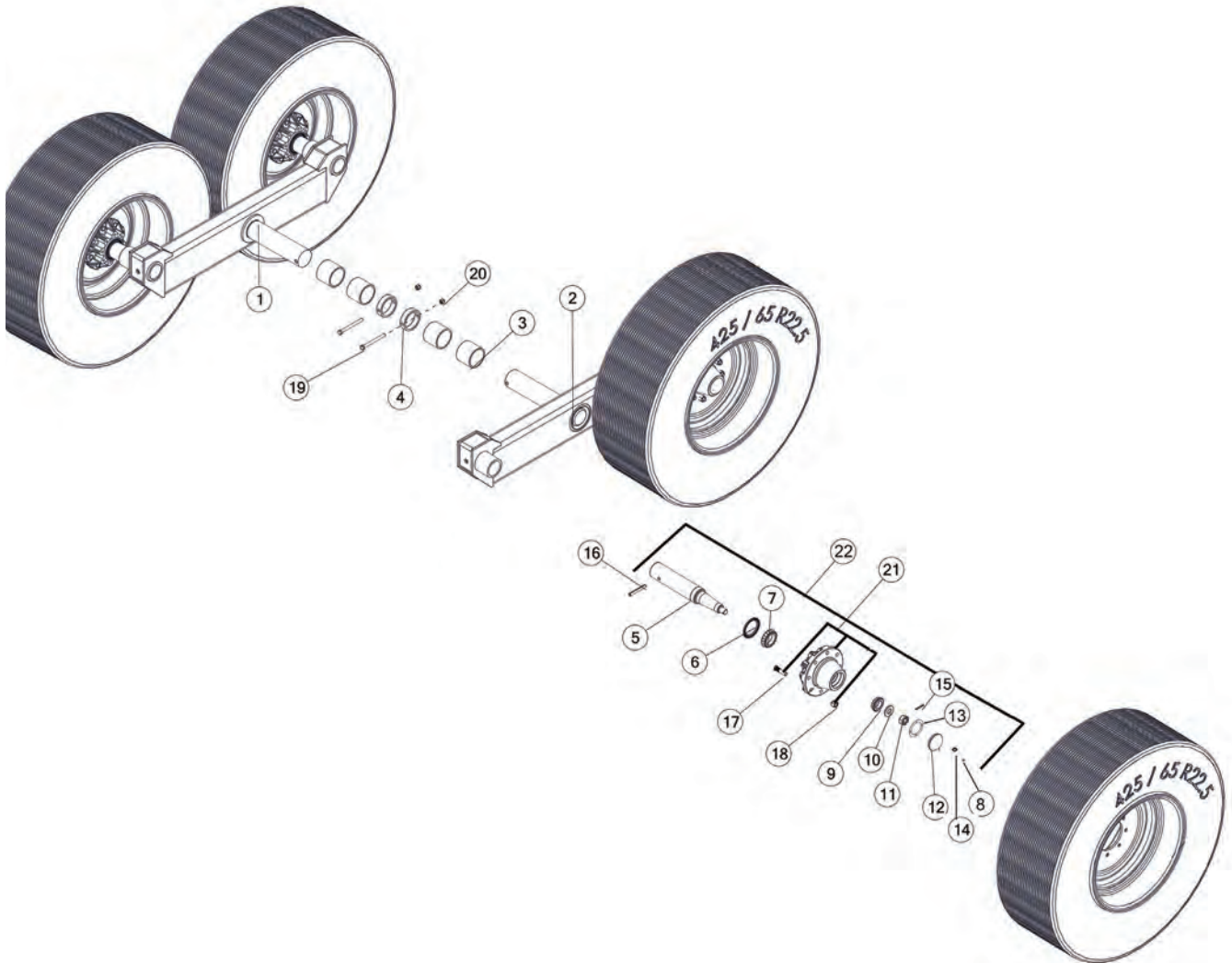




# FIGURE 8 HYDRAULICS





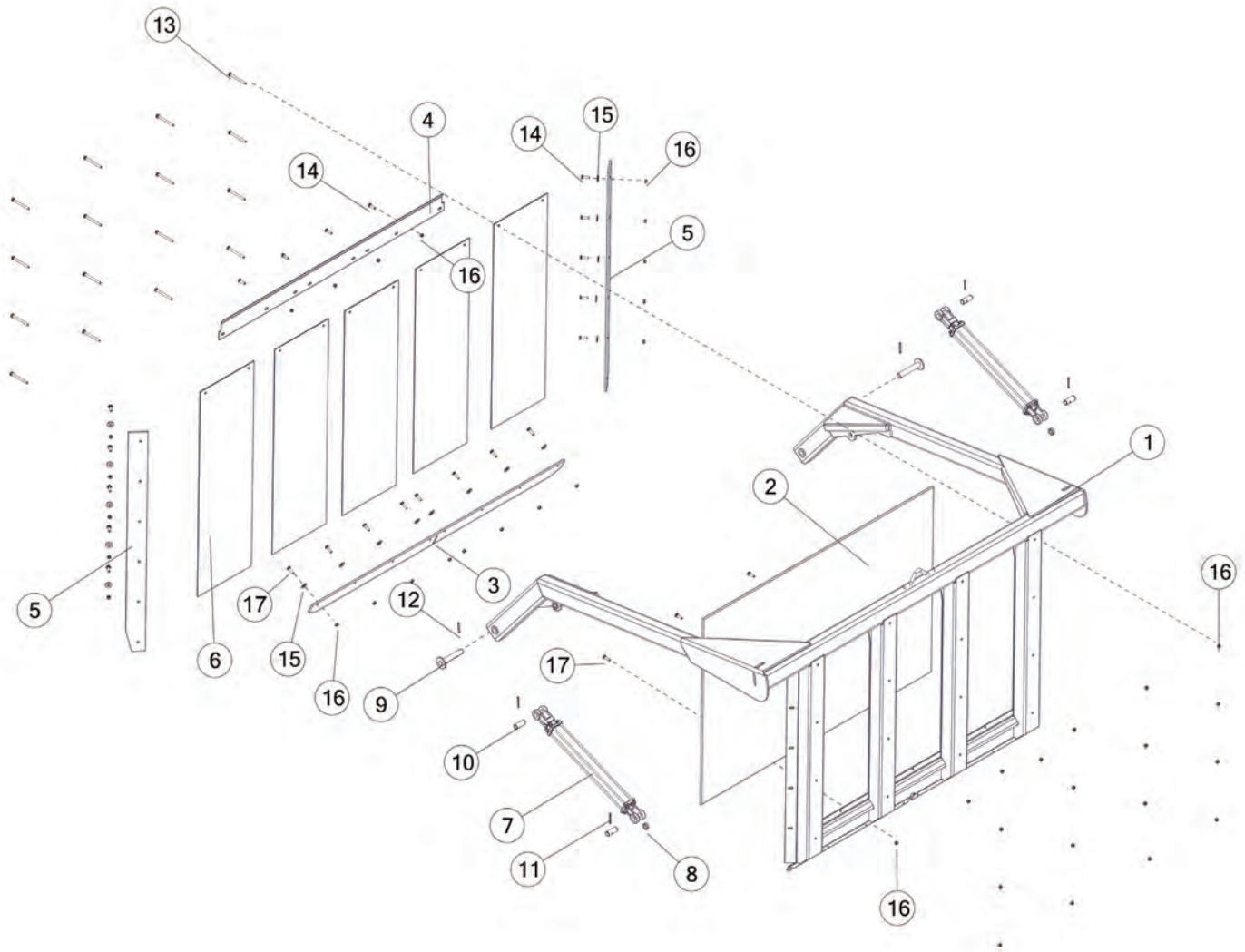








# FIGURE 10 ENDGATE & COMPONENTS





# FIGURE 10

## ENDGATE & COMPONENTS

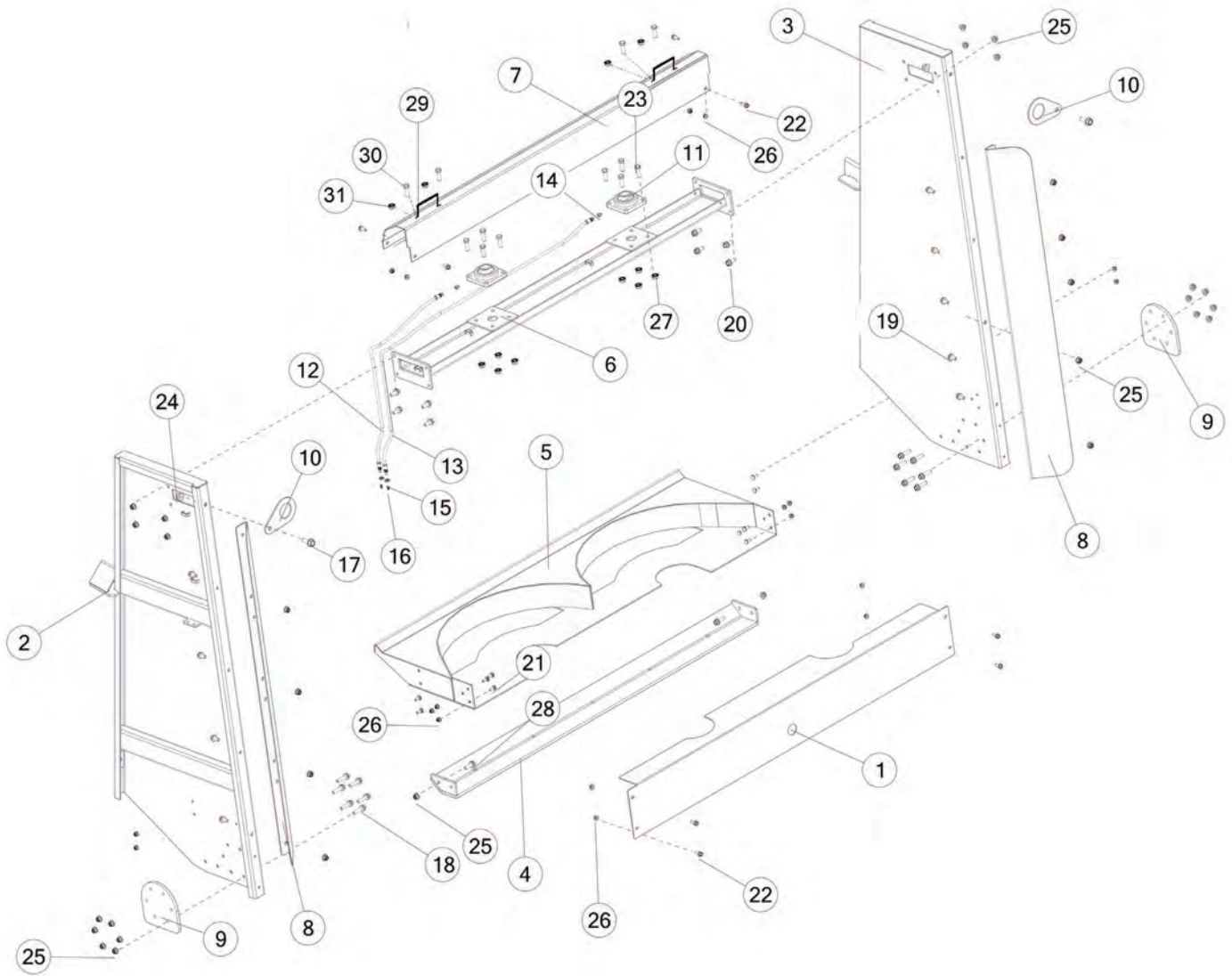
REF #	PART #	DESCRIPTION	QTY
1	55N9B	ENDGATE W/DECALS	1
2	55N15	ENDGATE POLY	1
3	55N14	ENDGATE RUBBER	5
4	89823	ENDGATE POLY HOLD DOWN	1
5	55N13	ENDGATE RUBBER, LH	1
6	55N88	ENDGATE CURTAIN BELTING	1
7	90970	HYDRAULIC CYLINDER, 2 X 20	1
*	23N142A	CLEVIS CAP	1
*	56174	ROD CAP	1
*	45N43	CYLINDER TUBE	1
*	23N149	PLUG	2
*	45N44	TIE ROD	4
*	56180	PISTON	1
*	45N42	CYLINDER ROD	1
*	23N150A	ROD CLEVIS	1
*	YSSO12015	SET SCREW SOCKET, 3/8 X 3/8	1
*	23N148	PISTON NUT	1
*	56187	SEAL KIT	1
*	YNHX12006	NUT HEX, 3/8 G2	8
8	K132	SPACER, 3/8 LONG	2
9	55N10	ENDGATE PIVOT PIN	2
10	56N141	SHAFT, RND, 1 X 2-1/2, PIN, CYLINDER	1
11	YPCT05025	COTTER PIN, 5/32 X 2	2
12	YPEX12020	EXPANSION PIN, 3/8 X 2	4
13	YBCR12105	BOLT CARRIAGE, FT, 3/8-16 X 4-1/2 G5 ZC	16
14	YBCR12015	BOLT CARRIAGE, 3/8-16 X 1-1/2 G5 ZC	16
15	YWFL14005	WASHER, FLAT, 7/16	49
16	YNHX12005	NUT HEX, 3/8-16 NA A ZC	41
17	YBCR12020	BOLT CARRIAGE, 3/8 X 1-1/4 G5	16





# FIGURE 11

## BEATER PANELS & COMPONENTS



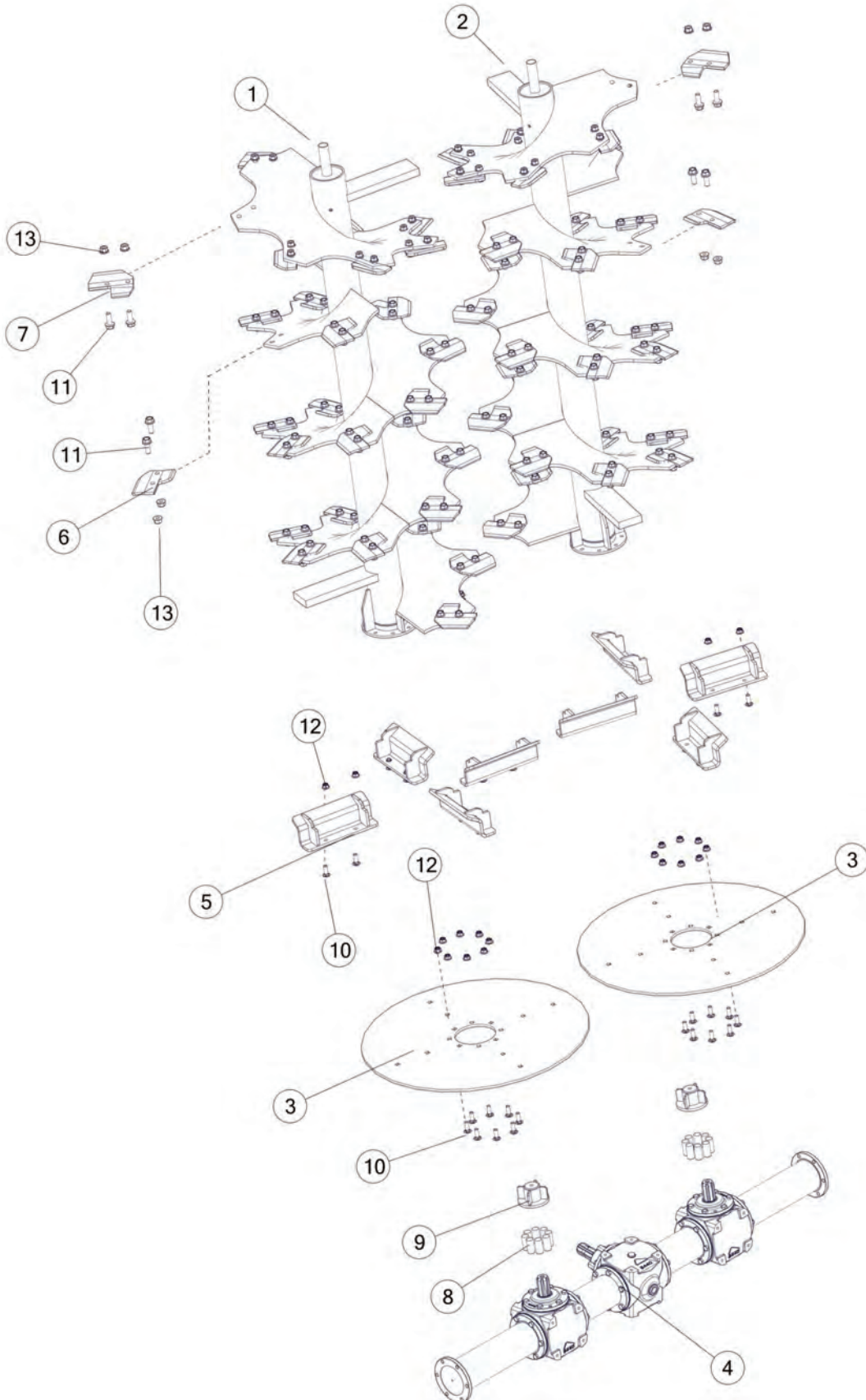


# FIGURE 11

## BEATER PANELS & COMPONENTS

REF #	PART #	DESCRIPTION	QTY
1	98421	GEARBOX COVER	1
2	96507B	BEATER PANEL, LH W/DECALS	1
3	96509B	BEATER PANEL , RH W/DECALS	1
4	90870	BEATER SKID PLATE	1
5	87622	BEATER PAN	1
6	87578B	UPPER BEARING MOUNT W/DECALS	1
7	87579B	BEARING SHIELD W/DECALS	1
8	90248	BEATER DEFLECTOR	2
9	96512	BEATER SUPPORT LEG	2
10	HGV50	LIFTING EYE	2
11	12V99	BEARING, 5.13 X 1.50 X 2.02, FLANGE	2
12	89747	GREASE HOSE, 3, 100	1
13	88909	GREASE HOSE, 3, 66	1
14	TS323	FITTING STRAIGHT, 1/4-28, 1/8-27NPT	2
15	YNJM04005	NUT, JAM, 1/8 A	2
16	G89	STRAIGHT ZERK, 1/4-28	2
17	YBFB20175	BOLT FLANGE, 5/8 X 1-3/4 G5	2
18	YBHH16065	BOLT HEX, 1/2-13 X 2 G5 ZC	12
19	YBFB16100	BOLT FLANGE, 1/2 X 1 G5	10
20	YBFB16125	BOLT FLANGE, 1/2 X 1-1/4 G5	8
21	YBCR12010	BOLT CARRIAGE, 3/8-16 X 1 G5 ZC	6
22	YBFB12003	BOLT FLANGE, 3/8 X 1 G5	8
23	YBHH18010	BOLT HEX, 9/16 X 1-3/4 G5 ZINC	8
24	YNFG20005	NUT FLANGE, 5/8-11 LKTL F ZC	2
25	YNFG16003	NUT FLANGE, 1/2 GF	24
26	YNFG12006	NUT FLANGE, 3/8 GF	8
27	YNSF18005	NUT FLANGE, 9/16-12 LKSF CH ZC	8
28	YBFB16150	BOLT FLANGE, 1/2 X 1-1/2 G5	2
29	TS96	SHIELD HANDLE	2
30	YBHH08100	BOLT HEX, 1/4 X 3/4 G5	4
31	YNFG08010	NUT FLANGE, 1/4 GF	4







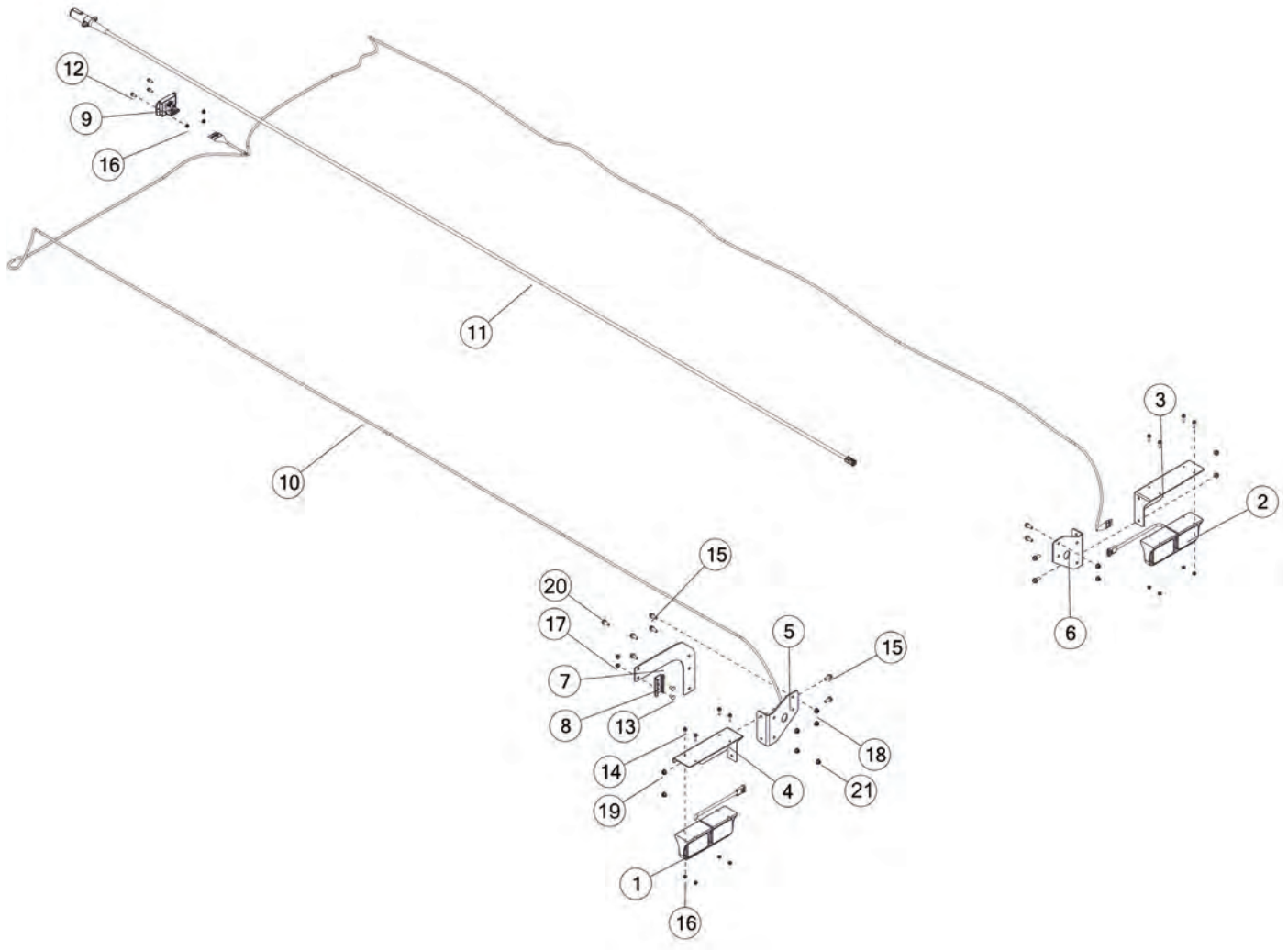






# FIGURE 13

## LIGHTS



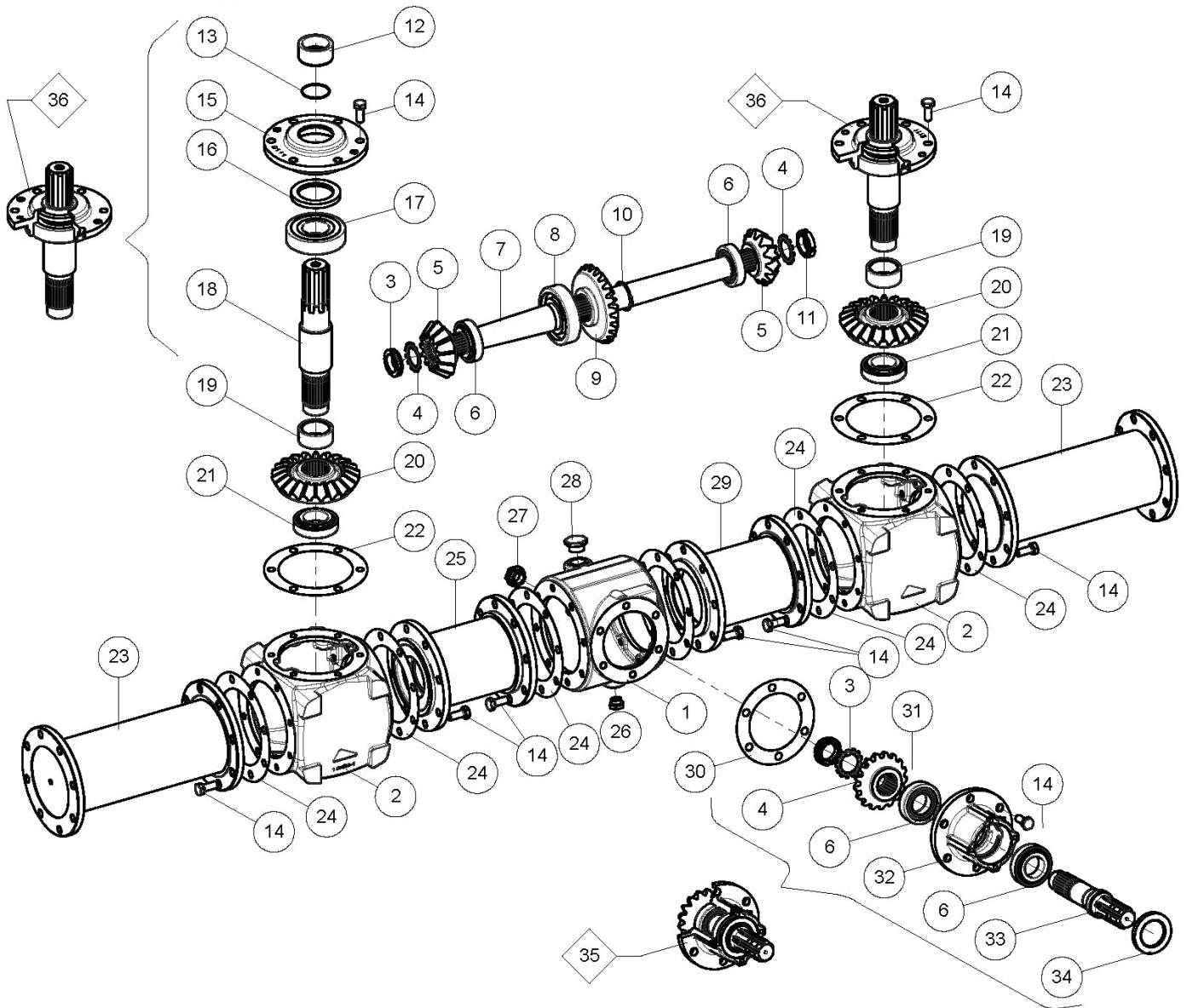




# FIGURE 14

## VERTICAL BEATER GEARBOX ASSEMBLY

97908





# FIGURE 14

## VERTICAL BEATER GEARBOX ASSEMBLY

97908

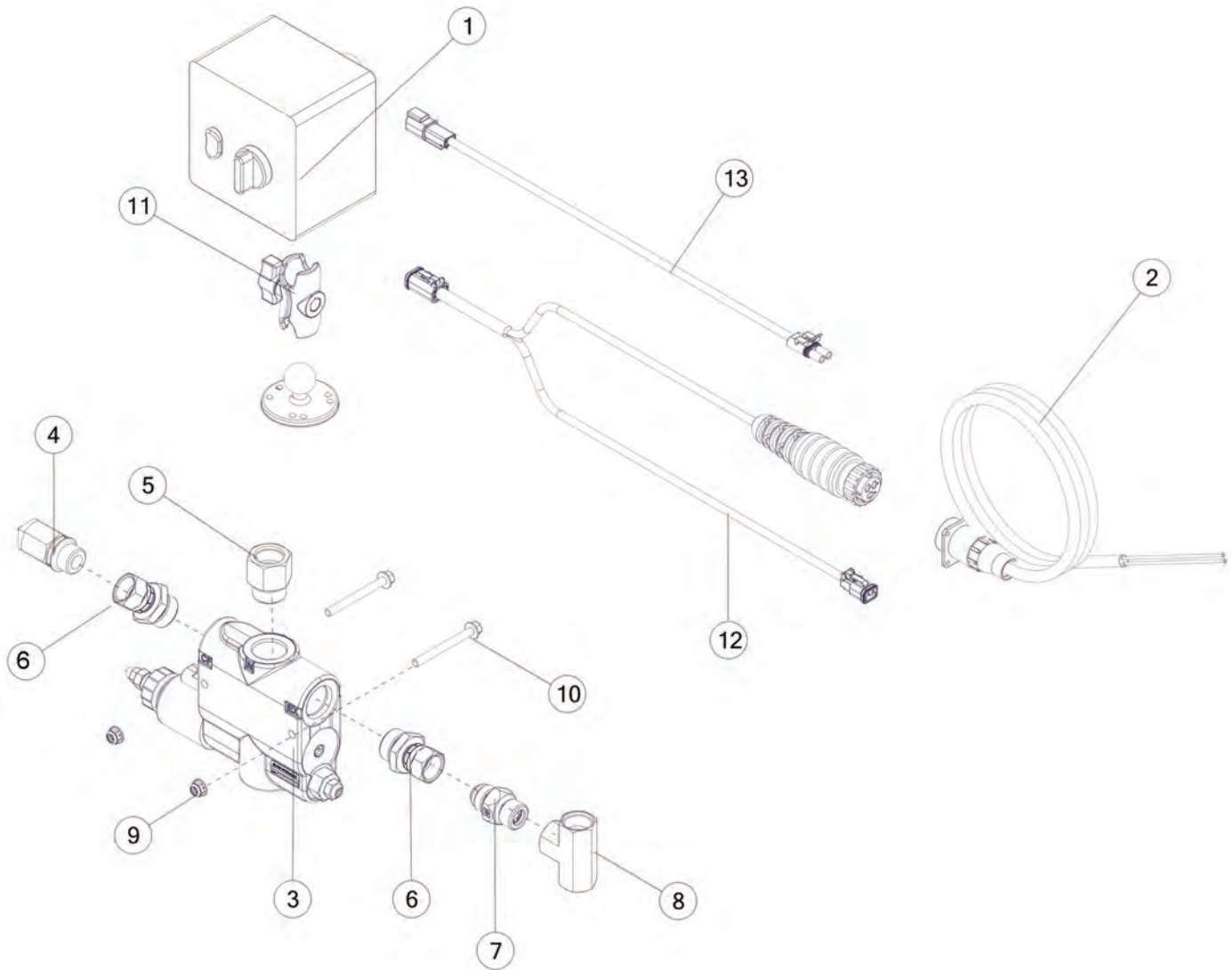
REF #	PART #	DESCRIPTION	QTY
1	98885	CENTRAL HOUSING	1
2	98886	HOUSING	2
3	98887	THREADED RING	2
4	98888	WASHER	3
5	98889	GEAR	2
6	98890	BEARING	4
7	98891	SHAFT	1
8	98892	BEARING	1
9	98893	GEAR	1
10	98894	SNAP RING	1
11	98895	THREADED RING	1
12	98896	SPACER	2
13	98897	O-RING	2
14	YBHH80020	BOLT HEX, M14-2 X 35 8.8 ZC	66
15	98898	FLANGE	2
16	98899	SEAL	2
17	98900	BEARING	2
18	98901	OUTPUT SHAFT	2
19	98902	SPACER	2
20	98903	GEAR	2
21	98904	BEARING	2
22	98905	GASKET	2
23	98906	OUTER HOUSING	2
24	98907	GASKET	6
25	98908	HOUSING SPACER, RH	1
26	89859	OIL PLUG	1
27	89860	SIGHT GLASS	1
28	98909	BREATHER PLUG	1
29	98910	HOUSING SPACER, LH	1
30	98911	GASKET	1
31	98912	GEAR	1
32	98913	HUB	1
33	98914	INPUT SHAFT	1
34	89848	SEAL	1
35	98915	INPUT HUB ASSEMBLY	1
36	98916	OUTPUT HUB ASSEMBLY	2









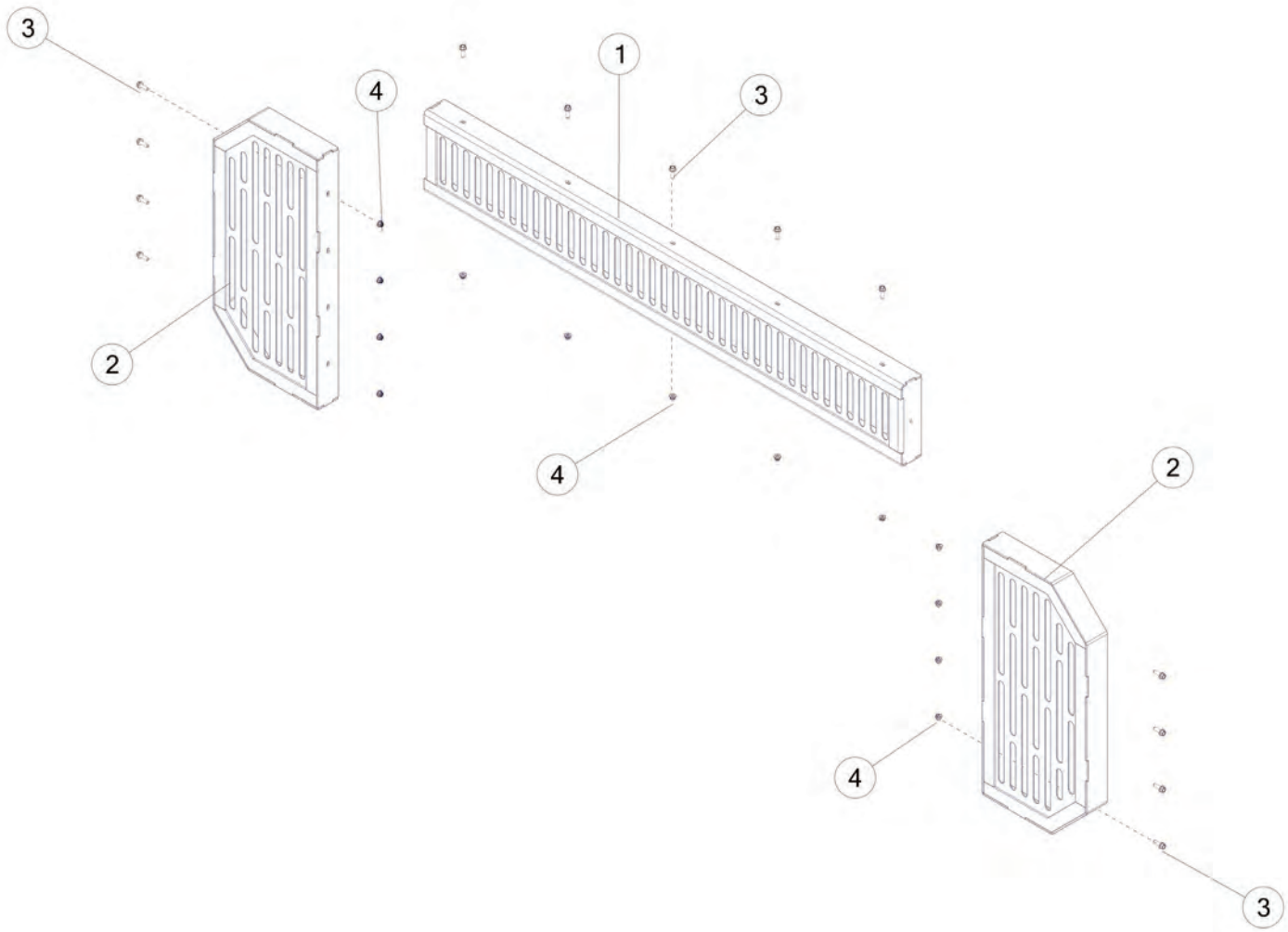






# FIGURE 17

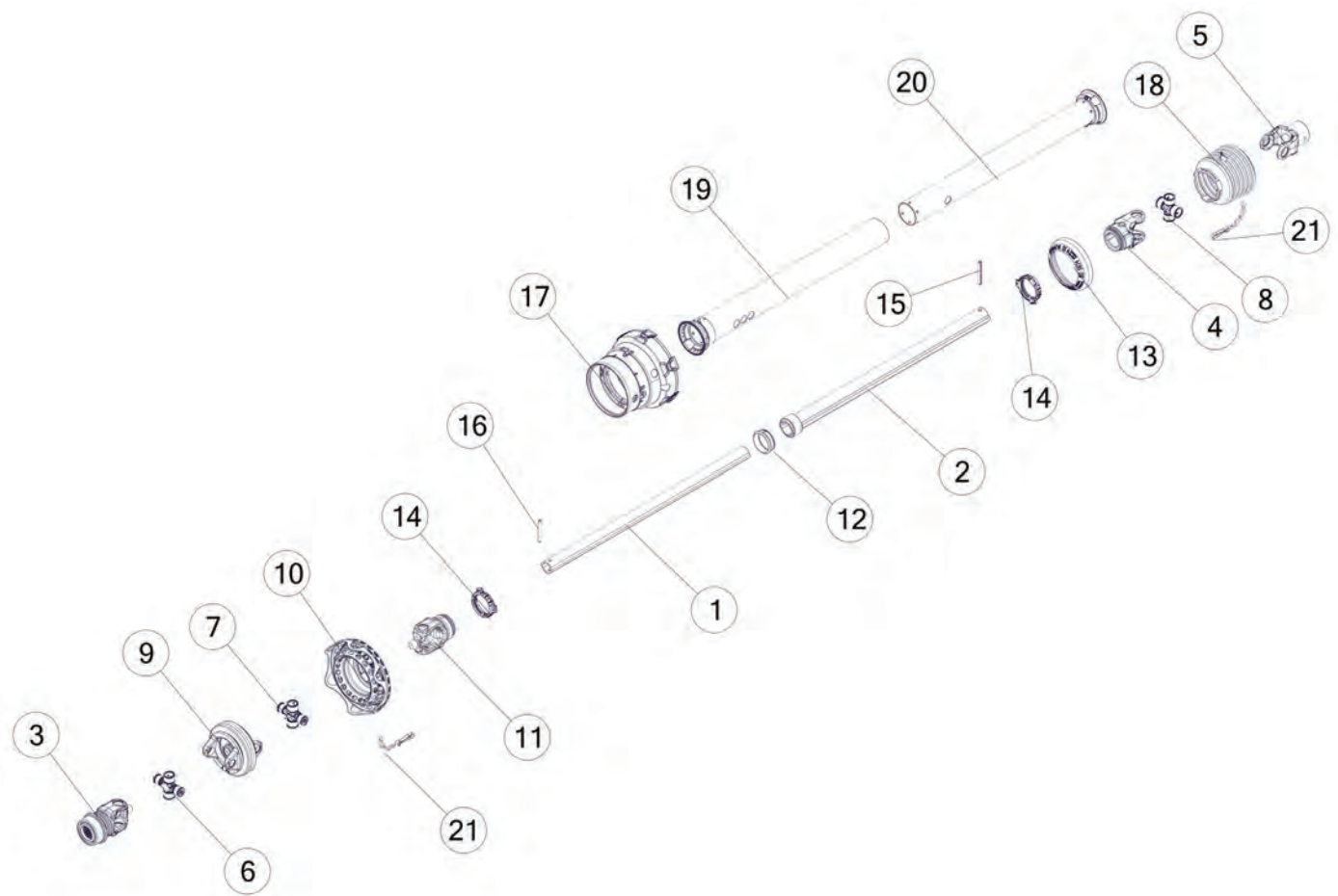
## OPTIONAL SCREEN EXTENSION (HPOFASE)







**FIGURE 18**  
HPO1034CV PTO

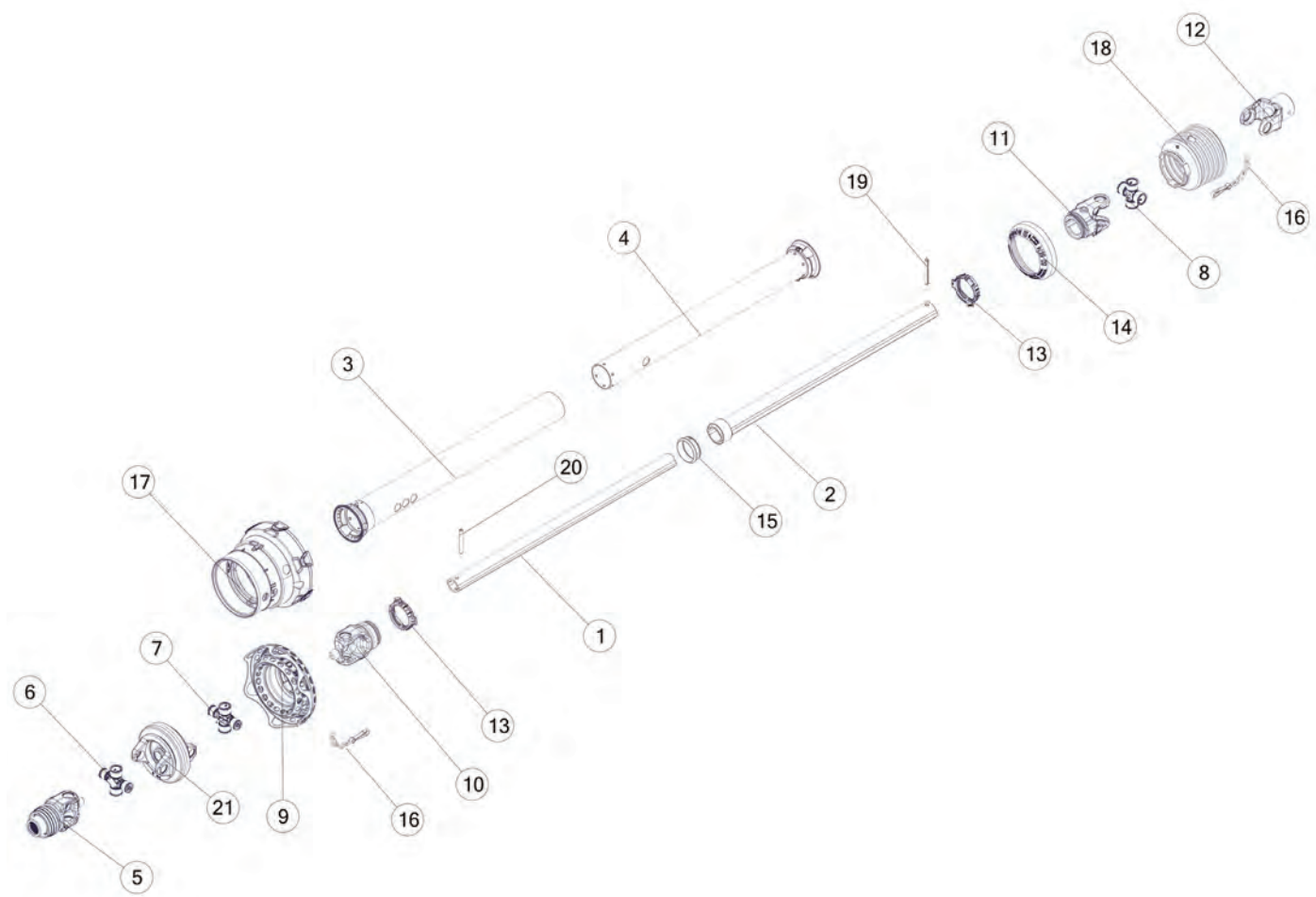








**FIGURE 19**  
HPO1038CV PTO

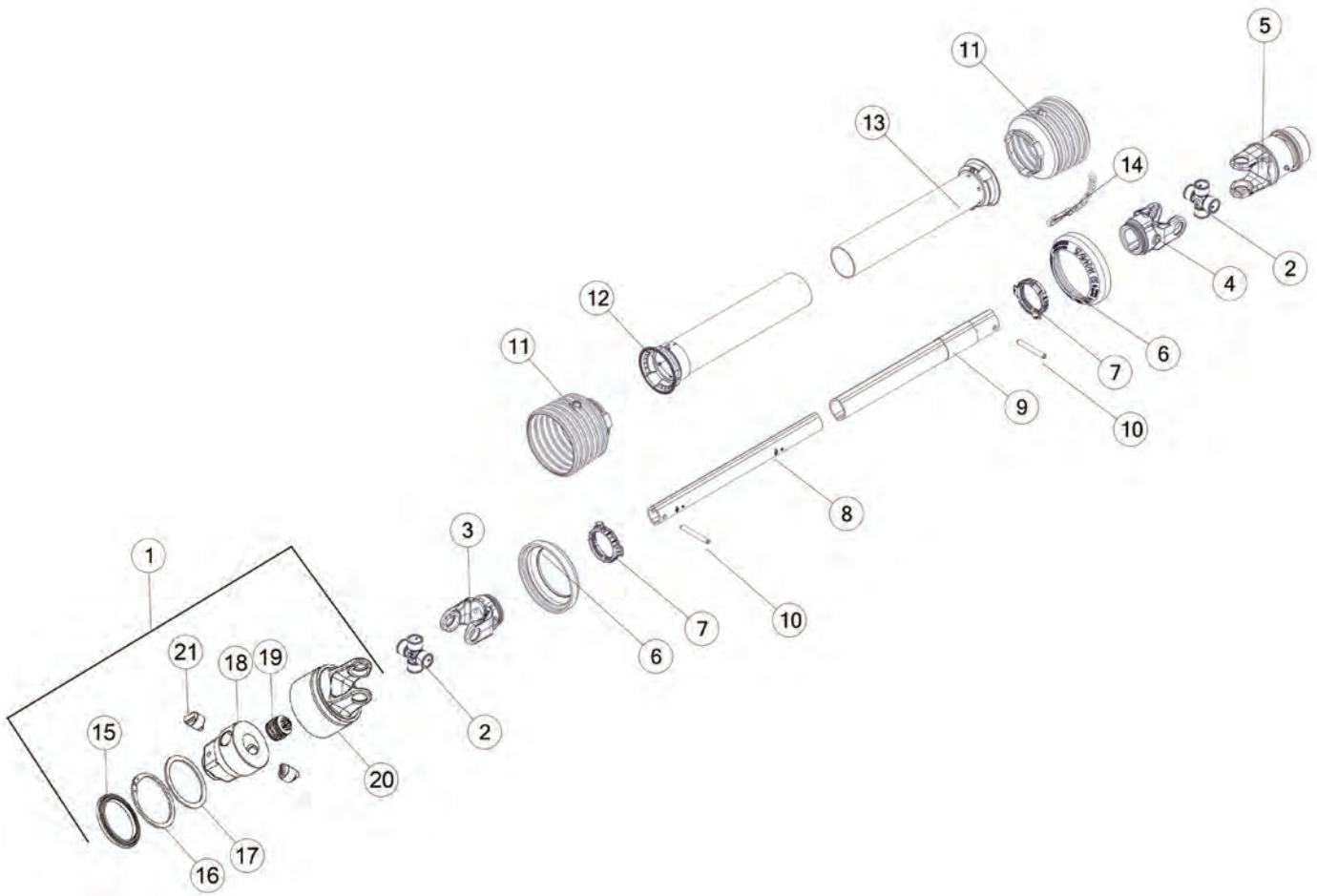






# FIGURE 20

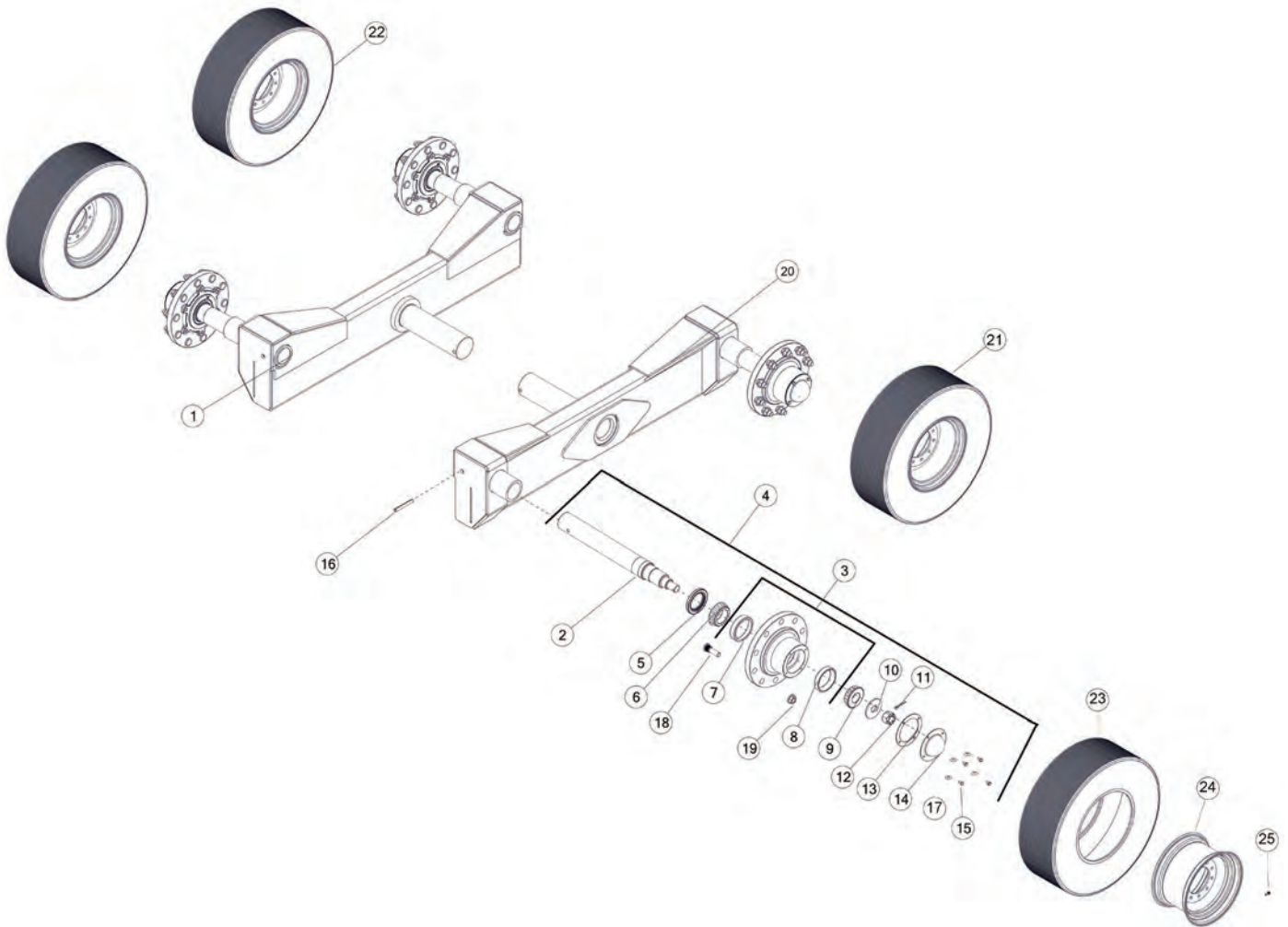
1000 RPM PTO  
REAR







**FIGURE 21**  
OPTIONAL TWP600S (HPOHTA550)



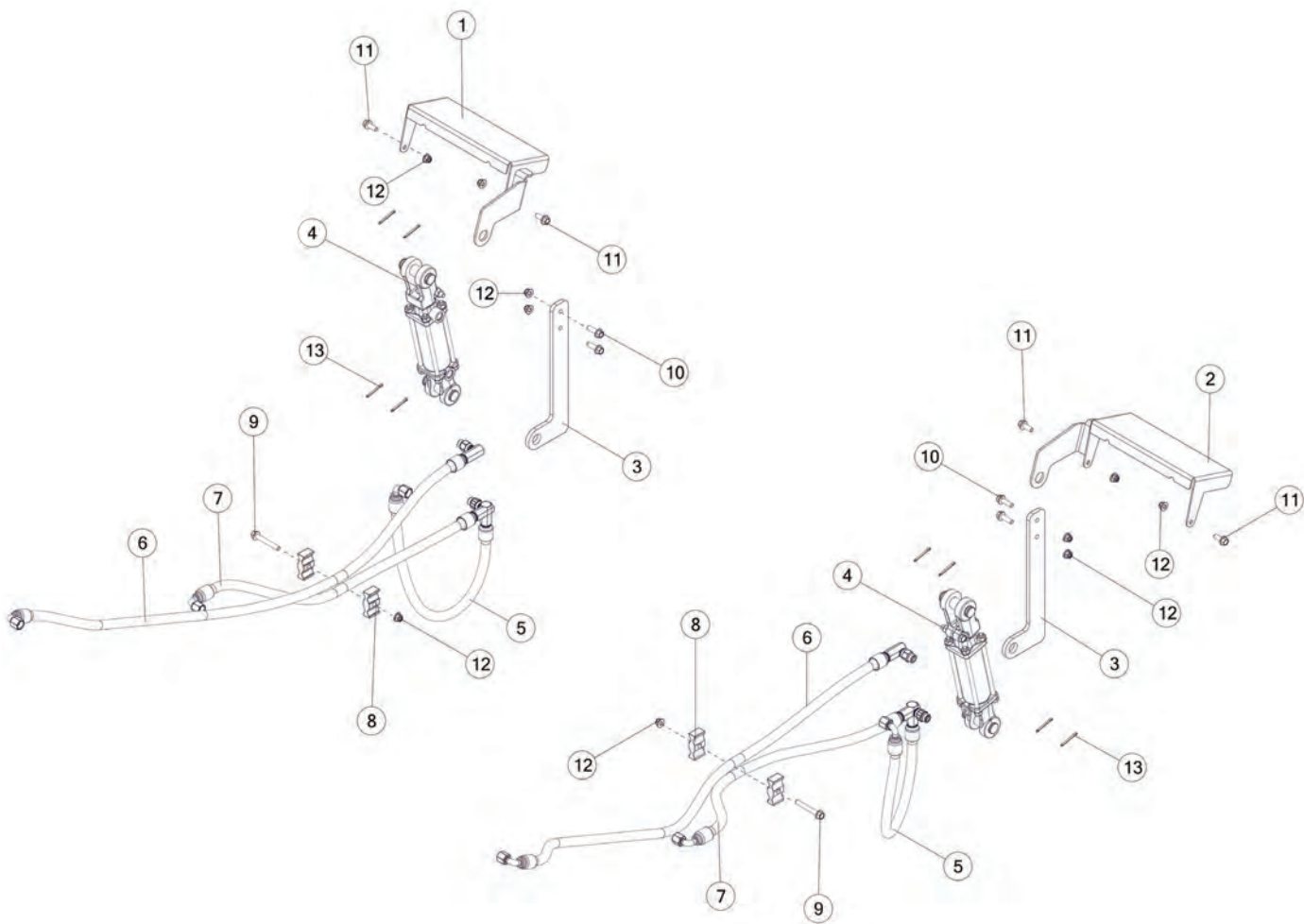






# FIGURE 22

## OPTIONAL HYD ACTUATOR LIGHT COVERS (HPOHALC)











Manufactured By:  
**H&S MANUFACTURING CO., INC.**  
2608 S. HUME AVE. MARSHFIELD, WI 54449  
(715) 387-3414 | hsmfgco.com

